



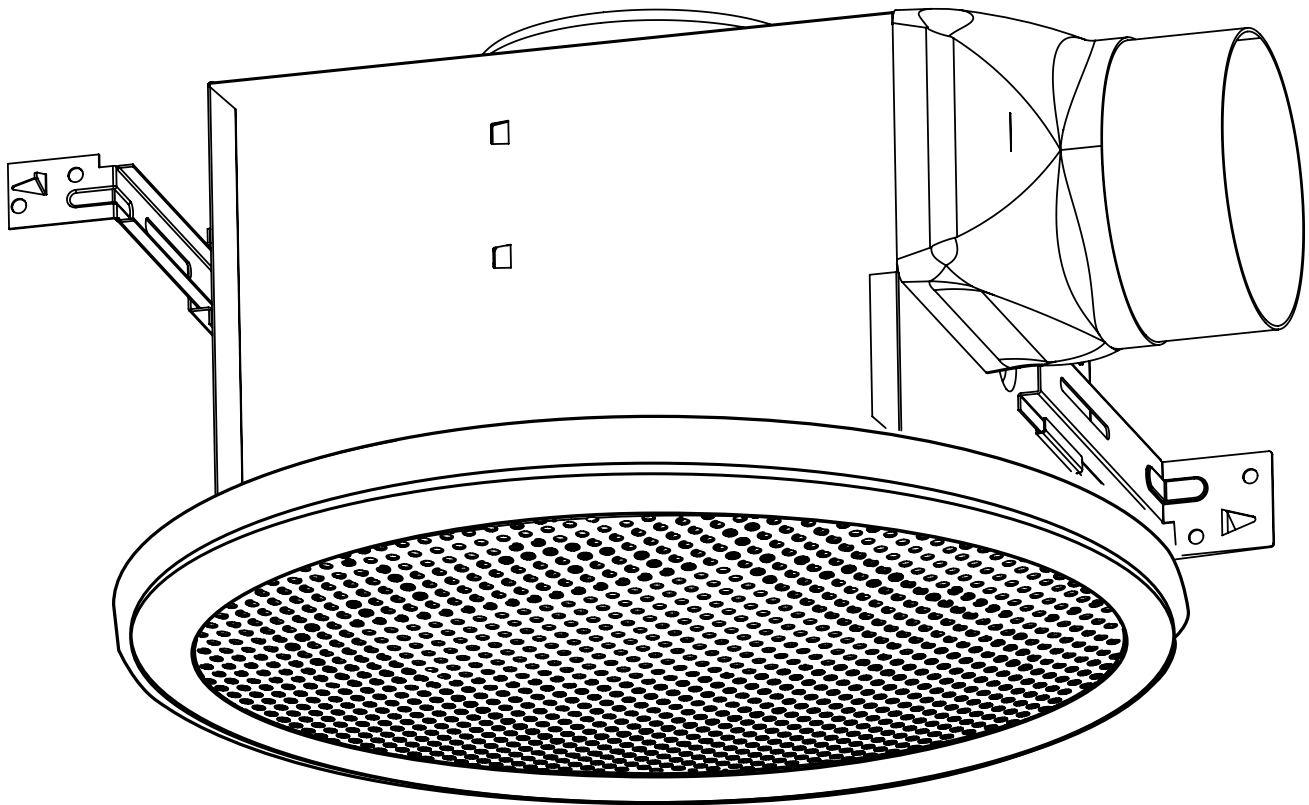
# Home NetWerks

SIMPLE SOLUTIONS FOR A SMARTER HOME™

# VENTILATING BATH FAN WITH BLUETOOTH® SPEAKER

MODEL #7130-02-BT

Español p. 14



The BLUETOOTH® word mark and logos are registered trademarks owned by BLUETOOTH SIG, Inc. and any use of the said mark by Homewerks Worldwide is under license. Other trademark and trade names are those of their respective owners.



**Questions, problems, missing parts?** Before returning to your retailer, call our customer service department at 1-877-319-3757, 8 a.m. - 5 p.m., CST, Monday - Friday.

**READ AND SAVE THESE INSTRUCTIONS**

## TABLE OF CONTENTS

|   |    |
|---|----|
| Product Specifications .....                        | 2  |
| FCC Compliance .....                                | 2  |
| Package Contents .....                              | 3  |
| Hardware Contents.....                              | 3  |
| Safety Information .....                            | 4  |
| Preparation .....                                   | 4  |
| New Construction Assembly Instructions .....        | 6  |
| Existing Construction Assembly Instructions .....   | 7  |
| BLUETOOTH® Speaker Fan Grille Installation.....     | 9  |
| Pairing your BLUETOOTH® Device to the Speaker ..... | 10 |
| BLUETOOTH® Speaker and Fan Operation .....          | 10 |
| Care and Maintenance .....                          | 11 |
| Troubleshooting.....                                | 13 |
| Warranty .....                                      | 13 |

## PRODUCT SPECIFICATIONS

| SPECIFICATIONS          | SPECIFICATIONS                |
|-------------------------|-------------------------------|
| Airflow: 90CFM          | Motor power consumption: 34 W |
| 120V, 60Hz              | Exhaust fan speed: 782 RPM    |
| Duct diameter: 4 in.    | Weight: 11.7 lbs.             |
| Sound output: 1.5 Sones |                               |

## FCC COMPLIANCE

This equipment complies with FCC RF radiation exposure limits set forth for an uncontrolled environment.

This device complies with part 15 of the FCC rules. Operation is subject to the following two conditions: (1) this device may not cause harmful interference, and (2) this device must accept any interference received, including interference that may cause undesired operation.

**NOTE:** The manufacturer is not responsible for any radio or TV interference caused by unauthorized modifications or changes to this equipment. Such modifications or changes could void the user's authority to operate the equipment.

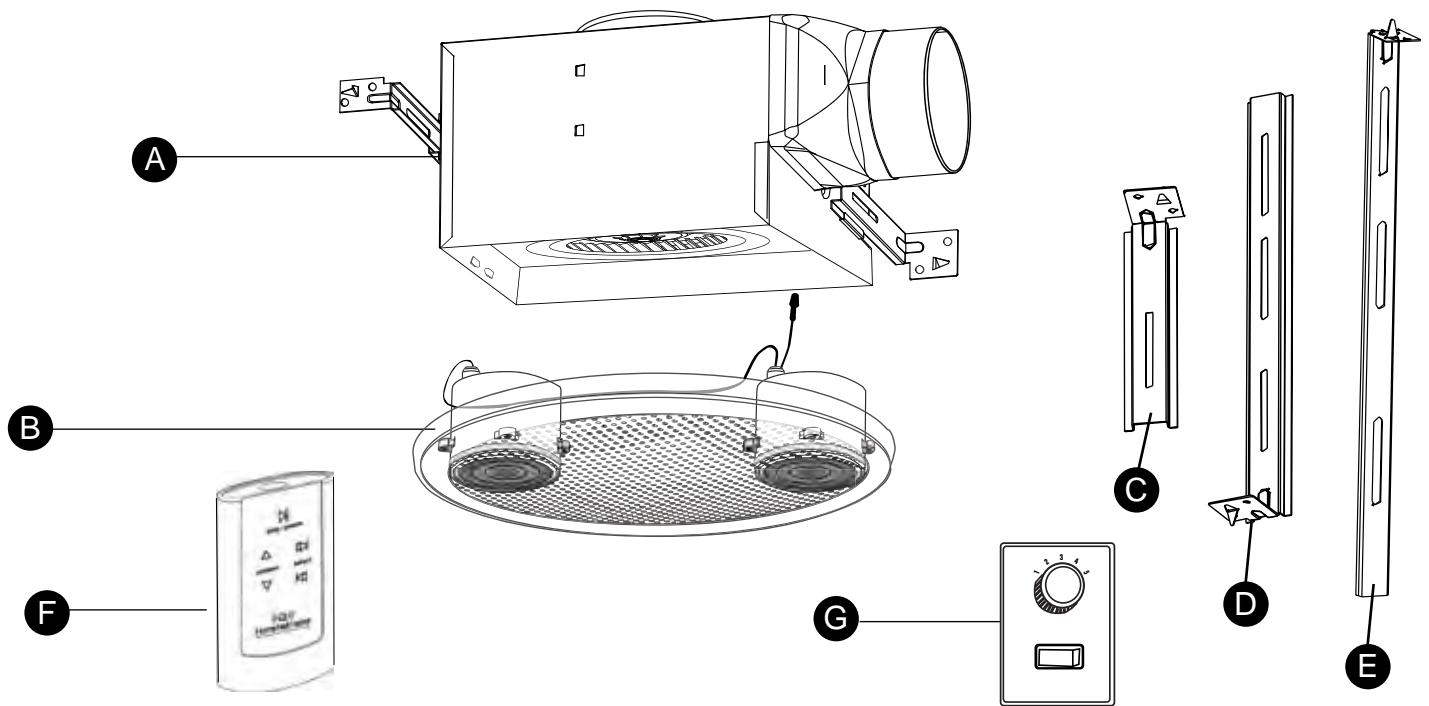
**NOTE:** This equipment has been tested and found to comply with the limits for a Class B digital device, pursuant to part 15 of the FCC Rules. These limits are designed to provide reasonable protection against harmful interference in a residential installation. This equipment generates uses and can radiate radio frequency energy and, if not installed and

used in accordance with the instructions, may cause harmful interference to radio communications. However, there is no guarantee that interference will not occur in a particular installation. If this equipment does cause harmful interference to radio or television reception, which can be determined by turning the equipment off and on, the user is encouraged to try to correct the interference by one or more of the following measures:

- Reorient or relocate the receiving antenna.
- Increase the separation between the equipment and receiver.
- Connect the equipment into an outlet on a circuit different from that to which the receiver is connected.
- Consult the dealer or an experienced radio/TV technician for help.

Changes or modifications made to this equipment not expressly approved by Homewerks Worldwide, LLC may void the FCC authorization to operate this equipment.

## PACKAGE CONTENTS



| PART | DESCRIPTION                  | QTY |
|------|------------------------------|-----|
| A    | Fan body                     | 1   |
| B    | Grille w/BLUETOOTH® speakers | 1   |
| C    | Suspension bracket I         | 1   |
| D    | Suspension bracket II        | 1   |

| PART | DESCRIPTION               | QTY |
|------|---------------------------|-----|
| E    | Suspension bracket III    | 1   |
| F    | Remote control with mount | 1   |
| G    | 5-way wall switch         | 1   |

## HARDWARE CONTENTS (not actual size)

AA



Long Wood  
Screw

Qty. 8

BB



Short Machine  
Screw

Qty. 3



## **SAFETY INFORMATION**

---

Please read and understand this entire manual before attempting to assemble, operate or install the product.

1. Always disconnect the power supply prior to servicing the fan, motor or junction box.
2. Installation work must be carried out by a qualified person(s) in accordance to all local and safety codes including the rules for fire-rated construction.
3. Follow all local building, safety and electrical codes as well as NEC (National Electrical Code) and OSHA (Occupational Safety and Health Act).
4. Electric Service supply must be 120 volts, 60 hertz.
5. This unit must be properly grounded.
6. Do not bend or kink the power wires.
7. Exercise care to not damage existing wiring when cutting or drilling into walls or ceilings.
8. Sufficient air supply is required for proper combustion and the exhaustion of gases through the chimney (flue) of fuel burning equipment to prevent back-drafting. See the standards of NFPA (National Fire Protection Association) and ASHRAE (American Society for Heating Refrigeration and Air Conditioning Engineers) and the local building code authorities.
9. Do not use this fan with any solid state control device, such as a remote control, dimmer switch, or certain timers. Mechanical timers are not solid state devices.
10. This ventilation fan is approved for use over a bathtub or shower when installed in a GFCI protected circuit. Do not use fans over a bathtub or shower that are not approved for that application and marked accordingly.
11. Do not install in a cooking area.
12. Do not use to exhaust hazardous or explosive vapors.
13. Fans should always be vented to the exterior and in compliance with local codes.
14. Do not install in a ceiling with insulation greater than R42.
15. Duct work should be installed in a straight line with minimal bends.
16. Duct work size must be the same size as the discharge and should not be reduced. Reducing the duct size may increase fan noise.
17. Prior to service or cleaning this unit, shut off power supply at the panel and lock to prevent the power from being turned on. If the panel cannot be locked, clearly mark the panel with a warning tag to prevent the power from being turned on.
18. Use this unit in the manner intended by the manufacturer. If you have any questions. Please call customer service.
19. The fan is intended to be mounted at least 7.6 ft. above the floor.

## **PREPARATION**

---

Before beginning assembly of product, make sure all parts are present. Compare parts with package contents list and hardware contents. If any part is missing or damaged, do not attempt to assemble the product. Contact customer service for replacement parts.

**Estimated Assembly Time: 60 minutes**

## PREPARATION

Tools Required for Assembly (not included): Hammer, Flathead Screwdriver, Wire Nuts, Nails, Duct Tape, Phillips Head Screwdriver, Utility Knife

Helpful Tools (not included): Electric Drill, Drill Bits

**WARNING: Turn off electricity at breaker box before beginning installation.**

Carefully remove unit from carton.

Check area above installation location to be sure that wiring can run to the planned location and that duct work can be run and the area is sufficient for proper ventilation.

Inspect duct work and wiring before proceeding with installation.

Before installation, provide inspection and future maintenance access at a location that will not interfere with installation work.

You may need the help of a second person to install this fan; one person on the attic side and one on the room side.

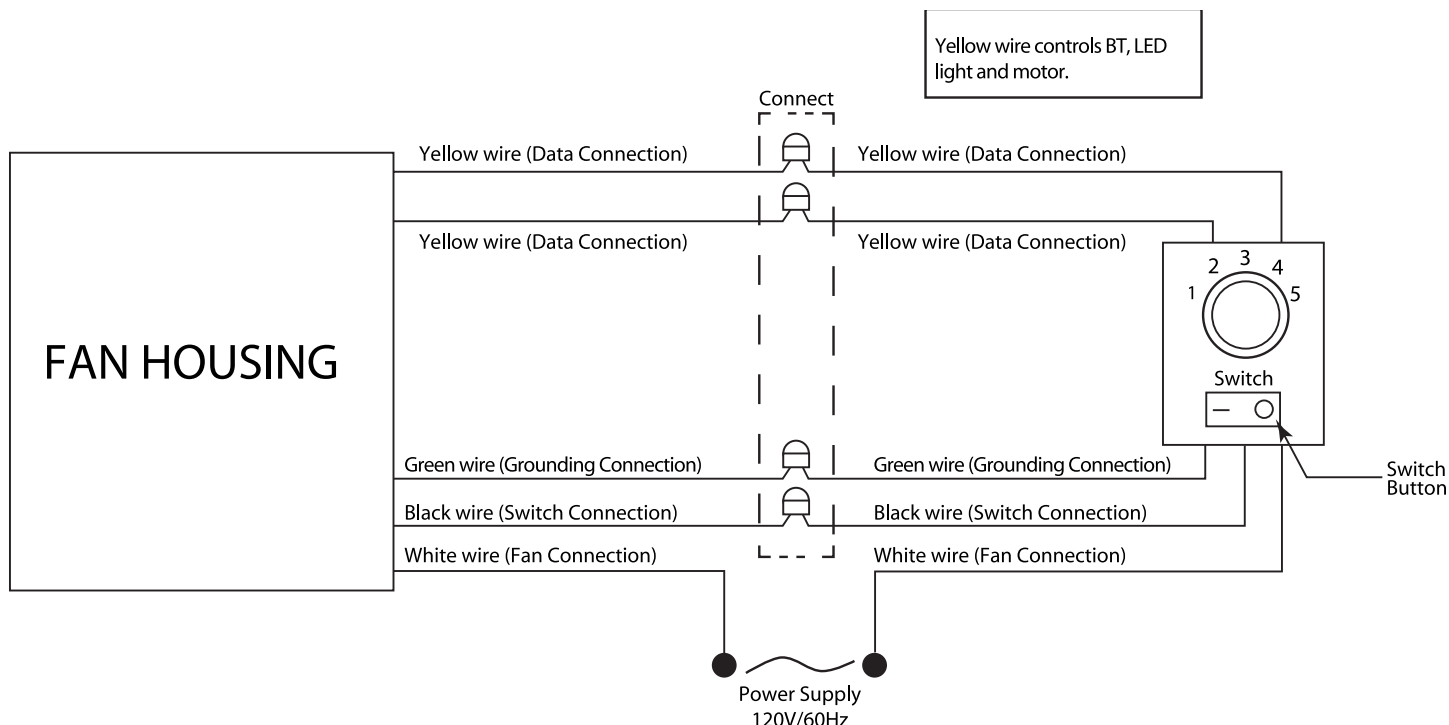
Note: Installations may vary depending on how the previous bath fan was installed. Supplies necessary for the installation of your bath fan are not all included; however, most are available at your local home improvement or hardware store.

## DIMENSIONS REQUIREMENTS

| Ceiling Opening (L) | Ceiling Opening (W) | Ceiling Opening (H) |
|---------------------|---------------------|---------------------|
| 9.4 in.             | 9.4 in.             | 7.4 in.             |

| Housing Dimension (L) | Housing Dimension (W) | Housing Dimension (H) |
|-----------------------|-----------------------|-----------------------|
| 9.25 in.              | 9.25 in.              | 7.3 in.               |

## WIRING DIAGRAM

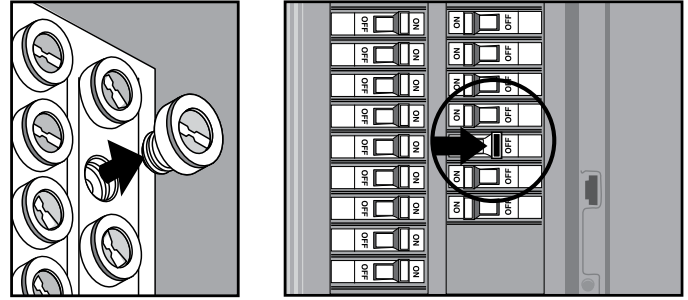


# ASSEMBLY INSTRUCTIONS

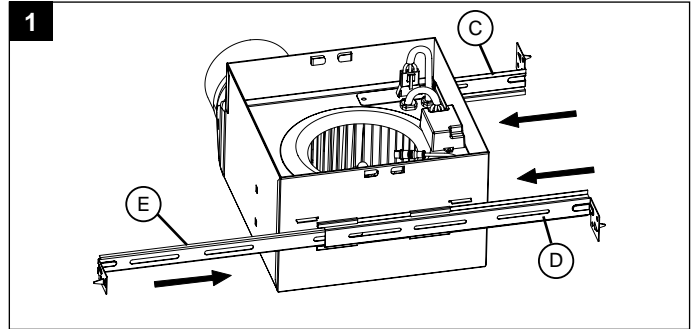
## NEW CONSTRUCTION – ATTACHING TO THE JOIST

### BEFORE INSTALLATION

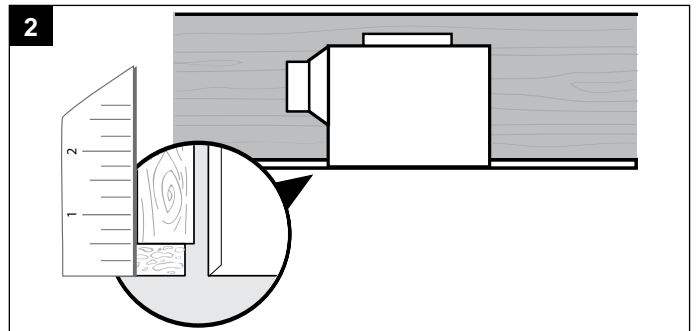
Turn off power source. Review all safety precautions.



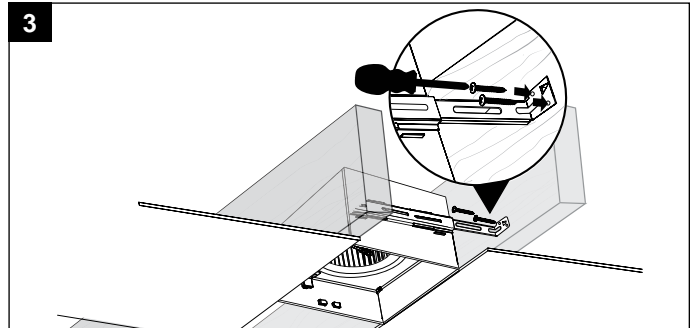
1. Insert suspension bracket onto fan housing using suspension bracket I (C) and II (D). If spacing between joists is 21.5 in. to 23.5 in. attach suspension bracket III (E).



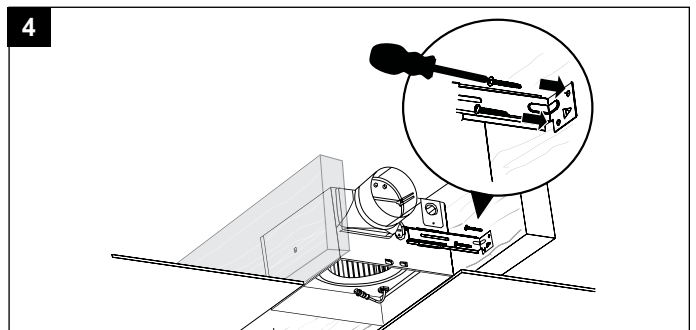
2. Position fan housing so edge of fan is flush with sheetrock. Do not flush mount housing with joist.



3. Secure the fan housing to joist with suspension brackets using long wood screws (AA) (included). (Joist spacing of less than 21.25 in.)

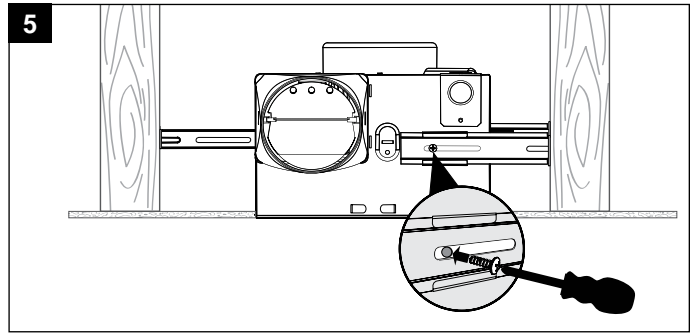


4. Mounting with joist spacing of 21.25 in. to 23.5in.

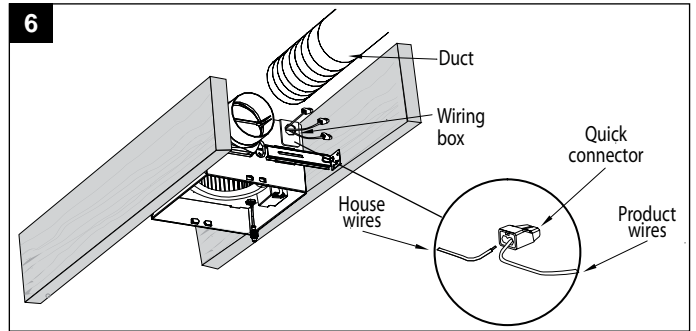


# ASSEMBLY INSTRUCTIONS

5. Secure the suspension bracket I (C) to fan housing using short machine screw (BB) (included).

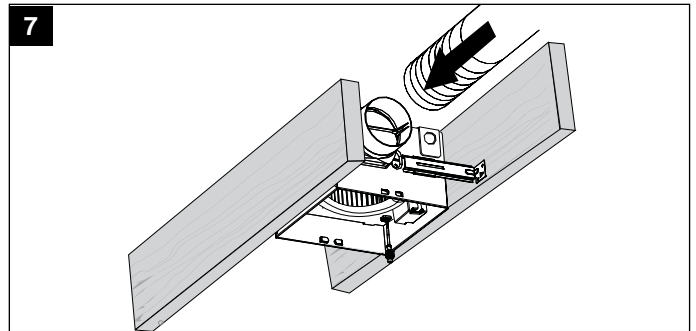


6. Remove fan junction box cover. Using quick connect ports connect house wires to fan wires as shown in wiring diagram on page 5. Replace fan junction box cover.



7. Connect a 4 in. circular duct and vent to the outside. Secure it with duct tape or clamp.

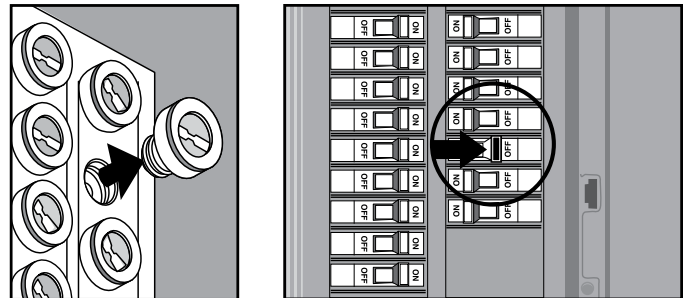
Turn on power source. Test the fan.



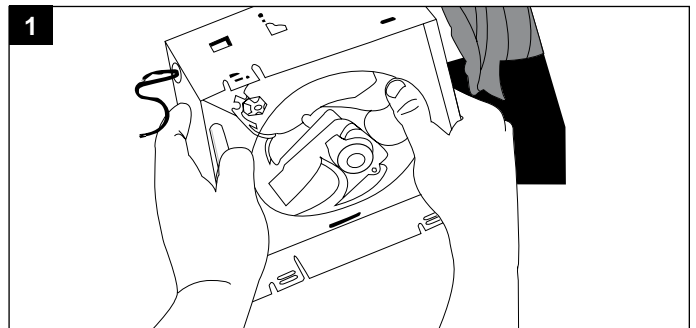
## EXISTING CONSTRUCTION – ACCESSIBLE FROM ABOVE

### BEFORE INSTALLATION

Turn off power source. Review all safety precautions.

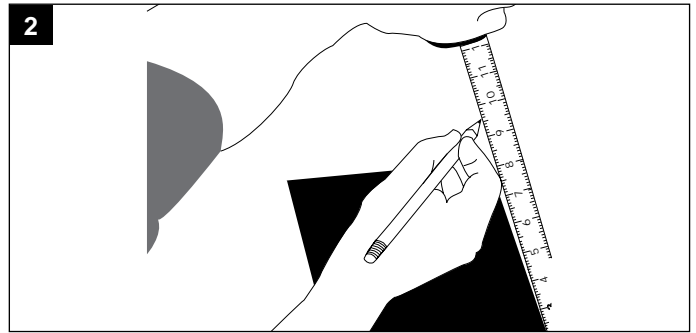


1. Remove existing fan.

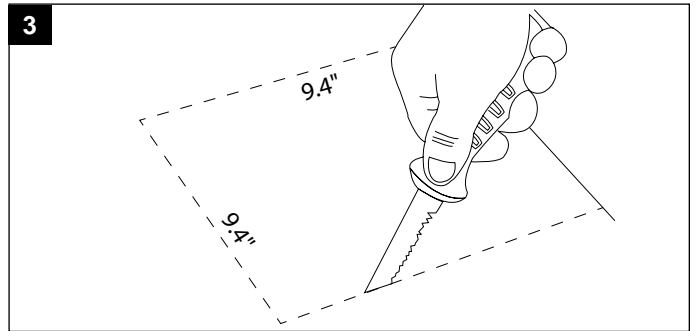


## ASSEMBLY INSTRUCTIONS

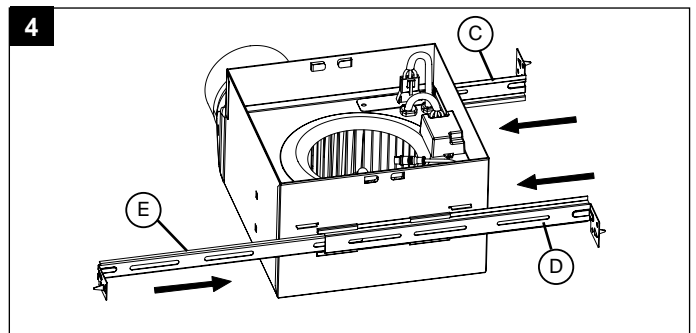
2. Measure the opening to assure it is large enough to accommodate the new fan housing (9.4 in. x 9.4 in.).



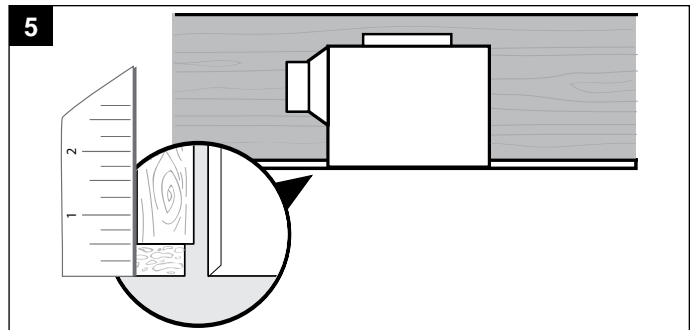
3. If this fan is not replacing an old fan be sure to cut a 9.4 in. x 9.4 in. opening for the fan housing.



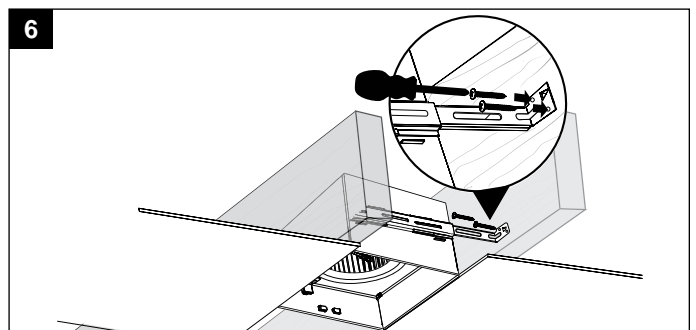
4. Insert suspension bracket onto fan housing using suspension bracket I (C) and II (D). If spacing between joists is 21.5 in. to 23.5 in. attach suspension bracket III (E).



5. Position fan housing so edge of fan is flush with sheetrock. Do not flush mount housing with joist.



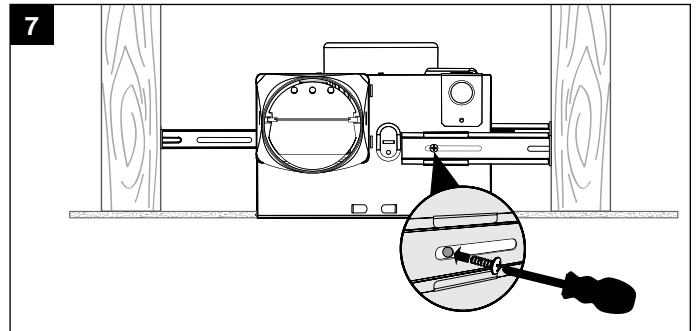
6. Secure the fan housing to joist with suspension brackets using long wood screws (AA) (included). (Joist spacing of less than 21.25 in.)



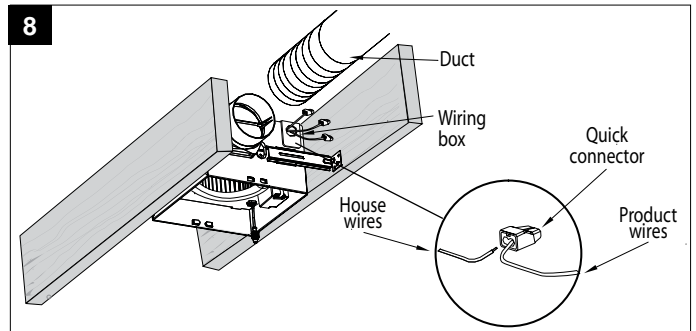


## ASSEMBLY INSTRUCTIONS

7. Secure the suspension bracket I (C) to fan housing using short machine screw (BB) (included).

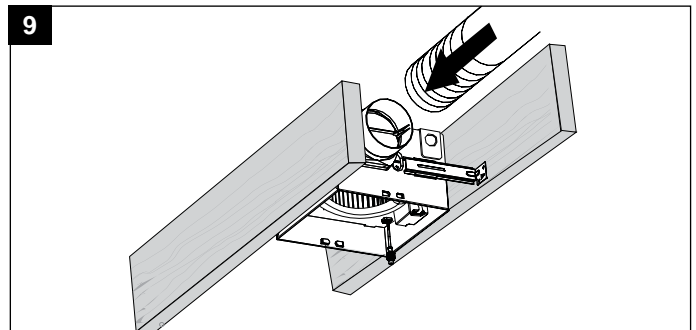


8. Remove fan junction box cover. Using quick connect ports connect house wires to fan wires as shown in wiring diagram on page 5. Replace fan junction box cover.



9. Connect a 4 in. circular duct and vent to the outside. Secure it with duct tape or clamp (not supplied).

Turn on power source. Test the fan.



## BLUETOOTH® SPEAKER FAN GRILLE INSTALLATION

Housing must be installed flush with ceiling board or the grille mounting spring will not be long enough to insert into the slots inside the fan housing.

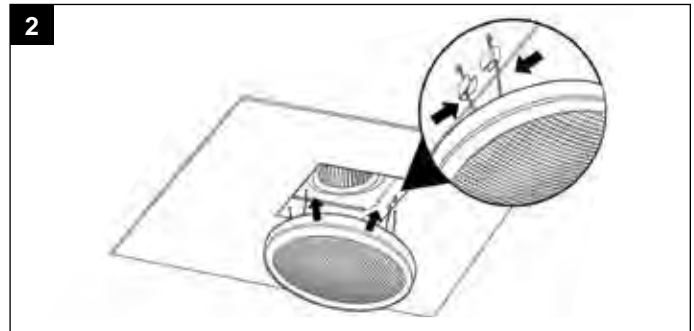
1. Join the connectors for the BLUETOOTH® speaker and power adapter.



## BLUETOOTH SPEAKER FAN GRILLE INSTALLATION

2. Attach grille by pinching mounting springs and insert into narrow rectangular slots in the fan housing.

Turn on power source.



## PAIRING YOUR BLUETOOTH® DEVICE TO THE SPEAKER

1. To play your personal music files, you need a wireless BLUETOOTH® device.
2. Set your device to a midrange volume before connecting to the speaker.
3. Follow the instructions that came with your BLUETOOTH® device to make it discoverable or to set it to search for other BLUETOOTH® accessories. This may involve entering a passkey or PIN (Personal Identification Number).
4. From the Home screen, choose Settings > BLUETOOTH®, the device searches for HomeWerks® speaker.

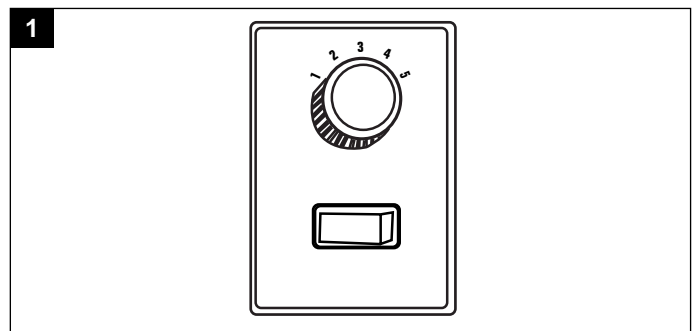
Note: While your device can maintain multiple pairing records, it can only connect to one accessory at a time. This prevents your device from sending your data to the wrong BLUETOOTH® accessory.

5. Choose the HomeWerks® speaker, and then enter a passkey or PIN (0000) if prompted.
6. When pairing is complete, you can use the BLUETOOTH® speaker to play audio with your device.
7. Optimal volume setting for the BLUETOOTH® speaker is 70% or lower. Settings higher than 70% may cause sound distortion.

## BLUETOOTH® SPEAKER AND FAN OPERATION

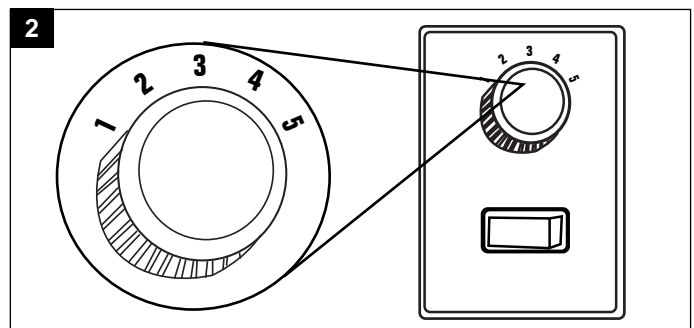
1. Turn on/off switch to on.

This powers the fan and the controls.



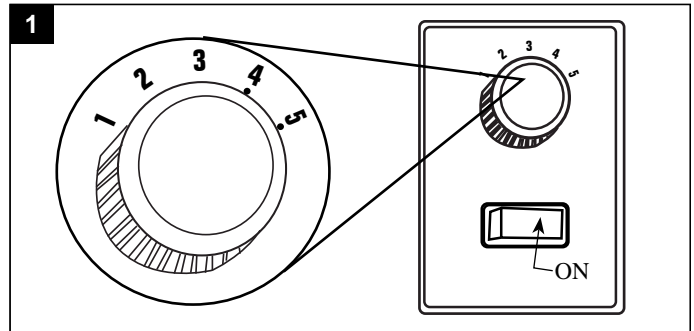
2. TURN SWITCH TO:

- Position 1 - Blue night light
- Position 2 - White LED light
- Position 3 - White LED light & fan
- Position 4 - White LED light, fan & Bluetooth®
- Position 5 - White LED light & Bluetooth®

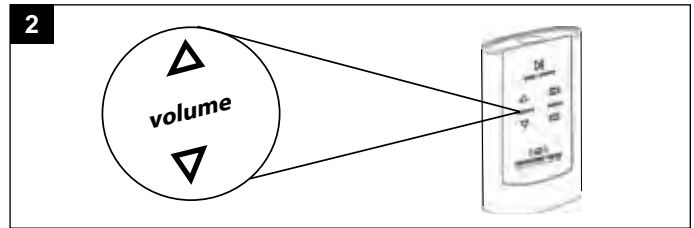




## Guide to Remote Control Operation

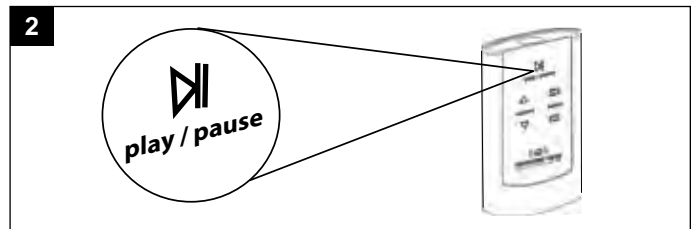
1. **POWER:** Make sure fan switch is on. Turn dial to Position 4 for white downlight, fan & Bluetooth® speaker or Position 5 for white downlight & Bluetooth® speaker.





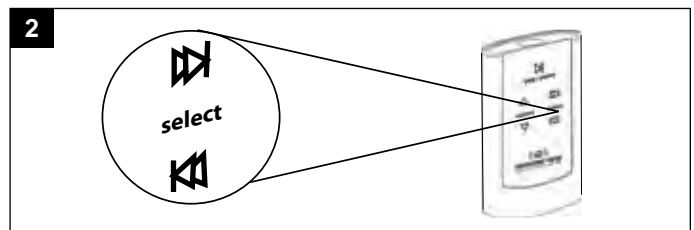
2. **VOLUME +/- :** Press the Volume up arrow to raise the volume level or the volume down arrow to lower the volume level.



3. **PAUSE/PLAY:** Press  button to pause music and press  button once more to play music.



4. **SELECT:** Press  button to play previous song and  button to play next song.

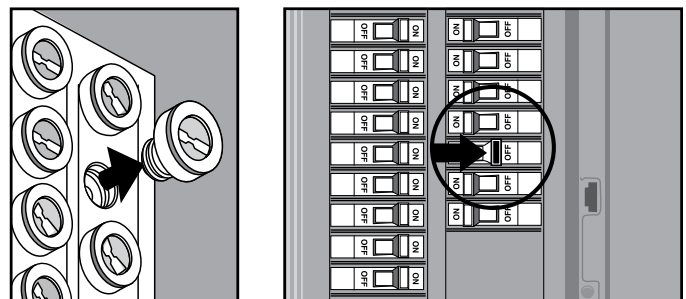


## CARE AND MAINTENANCE

See safety information before proceeding. Routine maintenance should be done at least once a year.

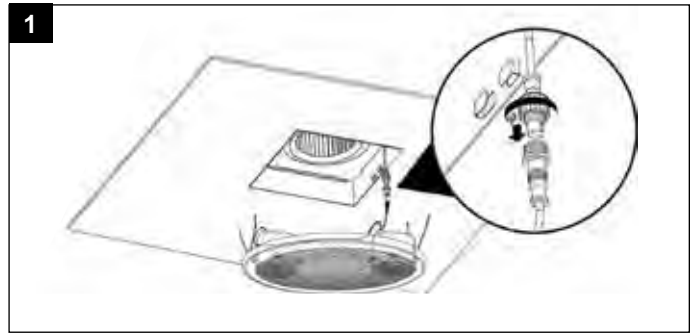
- Never use solvents, thinner or harsh chemicals for cleaning the fan.
- Do not allow water to enter the motor.
- Do not immerse metal parts in water.
- Do not immerse resin parts in water over 140 degrees Fahrenheit.
- Do not immerse BLUETOOTH® speaker in water

Turn off power source. Review all safety precautions.



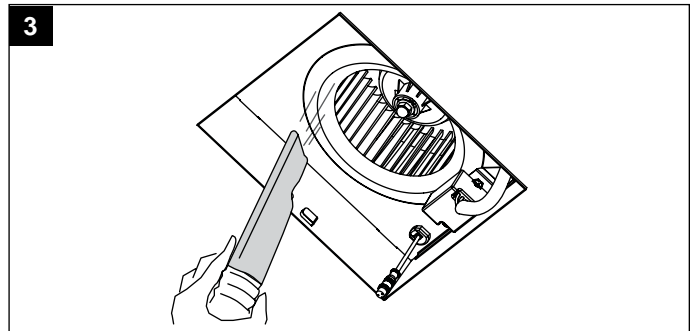
## CARE AND MAINTENANCE

1. Remove grille by squeezing spring and pull down.

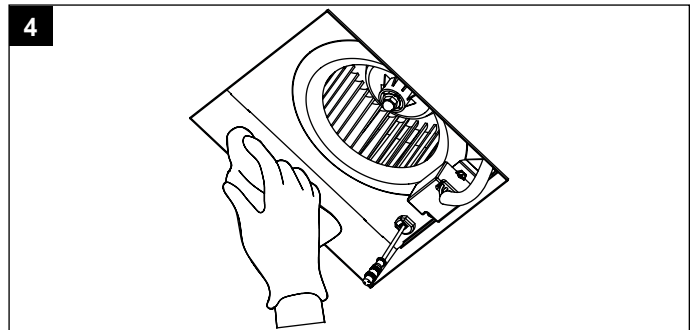


2. Do not immerse speaker in water. Wipe clean with a damp cloth.

3. Remove dust and dirt from the fan housing with a vacuum cleaner.

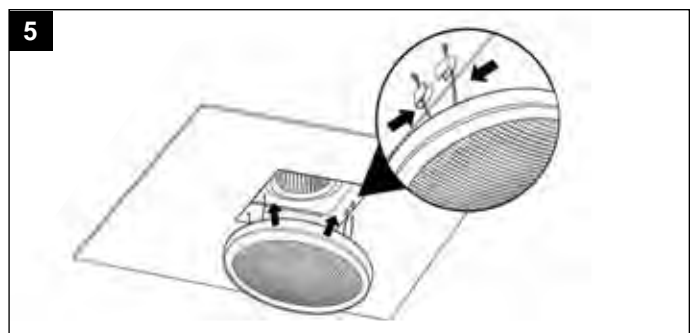


4. Wipe the fan housing with a damp cloth. Dry.



5. Replace the BLUETOOTH® speaker and grille.

Turn on power source.



## TROUBLESHOOTING

| PROBLEM                             | POSSIBLE CAUSE                            | CORRECTIVE ACTION   |
|-------------------------------------|---|---|
| The fan seems louder than it should | CFM too great                             | Be sure the CFM rating on the fan matches the size of your room.  |
|                                     | Damper not working properly or damaged    | Check damper to ensure it is opening and closing properly. If the damper has become damaged, please call Customer Service.  |
|                                     | Bend in duct too close to fan discharge   | Be sure you do not have any sharp bends in duct closer than 18 in. to the fan discharge.  |
|                                     | Fan discharge reduced to fit smaller duct | Use recommended size ducting to reduce fan noise.   |
|                                     | Fan body not securely attached            | Be sure the fan is securely attached to your ceiling joists.  |
| The fan is not clearing the room    | Insufficient intake airflow within room   | Be sure a door or window is slightly ajar or opened to allow airflow. The fan is not able to draw air out of the room without enough airflow to draw from.  |
|                                     | Insufficient CFM                          | Be sure the CFM rating on the fan matches the requirements for your room size.<br><br>NOTE: Using a tissue is not an accurate method for determining if the fan is operating properly. If the fan clears steam from the room within approximately 15 minutes of completing your shower, then the fan is operating properly. |

## FAN – LIMITED 3-YEAR WARRANTY

If the fan fails due to a defect in materials or workmanship at any time during the first THREE years of ownership, the manufacturer will replace it free of charge, postage-paid at their option. This warranty does not cover products that have been abused, altered, damaged, misused, cut or worn. This warranty does not cover use in commercial applications. Use only manufacturer-supplied genuine warranty repair replacement parts to repair this fan. Use of non-genuine repair parts will void your warranty. The manufacturer DISCLAIMS all other implied or express warranties including all warranties of merchantability and/or fitness for a particular purpose. As some states do not allow exclusions or limitations on an implied warranty, the above exclusions and limitations may not apply. This warranty gives you specific legal rights, and you may have other rights that vary from state to state.

This warranty is limited to the replacement of defective parts only. Labor charges and/or damage incurred during installation, repair, replacement as well as incidental and consequential damages connected with the above are excluded. Any damage to this product as a result of neglect, misuse, accident, improper installation or use other than the purpose SHALL VOID THIS WARRANTY.

Shipping costs for return product as part of a claim on the warranty must be paid for by the customer.

Inquiries regarding warranty claims can be directed to 1-877-319-3757, 8 a.m. - 5 p.m., CST, Monday - Friday.

## BLUETOOTH® SPEAKER – LIMITED 1-YEAR WARRANTY

If the BLUETOOTH® speaker fails due to a defect in materials or workmanship at any time during the first year of ownership, the manufacturer will replace it free of charge, postage-paid at their option. This warranty does not cover products that have been abused, altered, damaged, misused, cut or worn. This warranty does not cover use in commercial applications. Use only manufacturer-supplied genuine warranty repair replacement parts to repair this fan. Use of non-genuine repair parts will void your warranty. The manufacturer DISCLAIMS all other implied or express warranties including all warranties of merchantability and/or fitness for a particular purpose. As some states do not allow exclusions or limitations on an implied warranty, the above exclusions and limitations may not apply. This warranty gives you specific legal rights, and you may have other rights that vary from state to state.

This warranty is limited to the replacement of defective parts only. Labor charges and/or damage incurred during installation, repair, replacement as well as incidental and consequential damages connected with the above are excluded. Any damage to this product as a result of neglect, misuse, accident, improper installation or use other than the purpose SHALL VOID THIS WARRANTY.

Shipping costs for return product as part of a claim on the warranty must be paid for by the customer.

Inquiries regarding warranty claims can be directed to 1-877-319-3757, 8 a.m. - 5 p.m., CST, Monday - Friday.