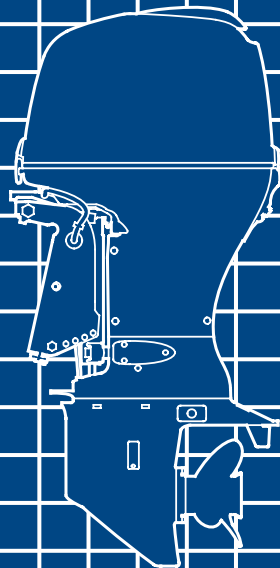
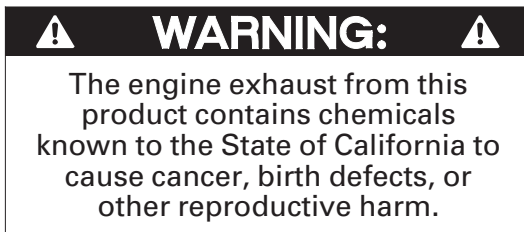


HONDA
MARINE

BF75D•BF90D Owner's Manual



Includes US and Canadian Models



Keep this Owner's Manual handy, so you can refer to it at any time. This Owner's Manual is considered a permanent part of the outboard motor and should remain with the outboard motor if resold.

© 2011 Honda Motor Co., Ltd. — All Rights Reserved

The information and specifications included in this publication were in effect at the time of approval for printing. Honda Motor Co., Ltd. reserves the right, however, to discontinue or change specifications or design at any time without notice and without incurring any obligation whatever. No part of this publication may be reproduced without written permission.

INTRODUCTION

Congratulations on your selection of a Honda outboard motor. We are certain you will be pleased with your purchase of one of the finest outboard motors on the market.

We want to help you get the best results from your new outboard motor and to operate it safely. This manual contains information on how to do that; please read it carefully.

As you read this manual you will find information preceded by a

NOTICE symbol. That information is intended to help you avoid damage to your outboard motor, other property, or the environment.

We suggest you read the warranty policy to fully understand its coverage and your responsibilities of ownership.

When your outboard motor needs scheduled maintenance, keep in mind that your Honda Marine dealer is specially trained in servicing Honda outboard motors. Your Honda Marine dealer is dedicated to your satisfaction and will be pleased to answer your questions and concerns.

Best Wishes,
Honda Motor Co., Ltd.

INTRODUCTION


A FEW WORDS ABOUT SAFETY

Your safety and the safety of others are very important. And using this outboard motor safely is an important responsibility.

To help you make informed decisions about safety, we have provided operating procedures and other information on labels and in this manual. This information alerts you to potential hazards that could hurt you or others.

Of course, it is not practical or possible to warn you about all the hazards associated with operating or maintaining an outboard motor. You must use your own good judgment.

You will find important safety information in a variety of forms, including:

- **Safety Labels** — on the outboard motor.
- **Safety Messages** — preceded by a safety alert symbol  and one of three signal words, DANGER, WARNING, or CAUTION.

These signal words mean:

 **DANGER**

You **WILL** be **KILLED** or **SERIOUSLY HURT** if you don't follow instructions.

 **WARNING**

You **CAN** be **KILLED** or **SERIOUSLY HURT** if you don't follow instructions.

 **CAUTION**

You **CAN** be **HURT** if you don't follow instructions.

- **Safety Headings** — such as *IMPORTANT SAFETY INFORMATION*.
- **Safety Section** — such as *OUTBOARD MOTOR SAFETY*.
- **Instructions** — how to use this outboard motor correctly and safely.

This entire book is filled with important safety information — please read it carefully.

CONTENTS

OUTBOARD MOTOR SAFETY	7	Panel-Mount Type	
IMPORTANT SAFETY INFORMATION	7	Ignition Switch	28
SAFETY LABEL LOCATION	9	Emergency Stop Switch Clip and Emergency	
		Stop Switch	29
CONTROLS AND FEATURES	13	Gearshift/Throttle Control Lever	30
CONTROL AND FEATURE IDENTIFICATION		Fast Idle Button	31
CODES	13	Top-Mount Type	
COMPONENT AND CONTROL LOCATIONS	14	Ignition Switch	32
CONTROLS	22	Emergency Stop Switch Clip and Emergency	
LHT Type (tiller handle)		Stop Switch	32
Ignition Switch	22	Gearshift/Throttle Control Lever	33
Emergency Stop Switch Clip and Emergency		Fast Idle Button	35
Stop Switch	22	Common Controls	
Throttle Grip	23	Power Trim/Tilt Switch	36
Throttle Friction Adjuster	24	Power Tilt Switch	37
Gearshift Lever	24	Manual Relief Valve	37
Steering Friction Knob	24	Tilt Lock Lever	38
LRT and XRT Types (remote control)		Engine Cover Latch (front/rear)	38
Side-Mount Type		Trim Tab	38
Ignition Switch	25		
Emergency Stop Switch Clip and Emergency			
Stop Switch	25		
Gearshift/Throttle Control Lever	26		
Fast Idle Lever	27		

CONTENTS

INSTRUMENTS.....	39	Portable Fuel Tank [standard equipment (Canadian LHTC type)], [optional equipment (other types)]	45
Trim Meter [standard equipment (LHTC, LRTC and XRTC types)], [optional equipment (LRTA and XRTA types)].....	39	Fuel Filler Cap Vent Knob [standard equipment (Canadian LHTC type)], [optional equipment (other types)]	46
Tachometer [standard equipment (LHTC, LRTC and XRTC types)], [optional equipment (LRTA and XRTA types)].....	39	Fuel Priming Bulb	46
Digital Tachometer [optional equipment (LRT and XRT types)]	39	Anodes.....	47
Digital Speedometer [optional equipment (LRT and XRT types)]	40	BEFORE OPERATION.....	48
Fuel Gauge [standard equipment (Canadian LHTC type)], [optional equipment (other types)]	40	ARE YOU READY TO GET UNDERWAY?.....	48
INDICATORS.....	41	IS YOUR OUTBOARD MOTOR READY TO GO?	48
Alternator (ACG) Indicator.....	41	Tiller Handle Height/Angle Adjustment (LHT type)	50
Malfunction Indicator	42	OPERATION	51
Oil Pressure Indicator.....	42	SAFE OPERATING PRECAUTIONS	51
Overheat Indicator.....	43	BREAK-IN PROCEDURE.....	51
Cooling System Indicator	44	PORTABLE FUEL TANK [standard equipment (Canadian LHTC type)], [optional equipment (other types)]	52
OTHER FEATURES	45	FUEL HOSE CONNECTIONS	52
Water Separator Buzzer	45	FUEL PRIMING	54
Overrev Limiter.....	45	INFREQUENT OR OCCASIONAL USE	54

CONTENTS

STARTING THE ENGINE	55	ENGINE COVER REMOVAL AND	
LHT Type (tiller handle).....	55	INSTALLATION.....	87
LRT and XRT Types (remote control)	58	Engine Oil Level Check.....	88
Side-Mount Type	58	Engine Oil Change.....	89
Panel-Mount Type	61	Oil Filter Change.....	90
Top-Mount Type.....	63	Engine Oil Recommendations	91
EMERGENCY STARTING.....	66	Spark Plug Service.....	92
STOPPING THE ENGINE.....	69	Lubrication Points	95
Emergency Engine Stopping	69	REFUELING.....	97
Normal Engine Stopping.....	70	FUEL RECOMMENDATIONS.....	99
GEARSHIFT AND THROTTLE OPERATION	72	Water Separator Inspection and Service.....	100
STEERING	75	Fuel Filter Inspection and Replacement	103
CRUISING	76	Portable Fuel Tank and Tank Filter Cleaning	
SHALLOW WATER OPERATION.....	78	[standard equipment (Canadian LHTC type)],	
MOORING, BEACHING, LAUNCHING.....	79	[optional equipment (other types)]	106
SERVICING YOUR OUTBOARD MOTOR.....	81	Anode Replacement	107
THE IMPORTANCE OF MAINTENANCE.....	81	Propeller Replacement	107
MAINTENANCE SAFETY	82		
TOOL KIT and OWNER'S MANUAL	83		
EMERGENCY STARTER ROPE	83		
MAINTENANCE SCHEDULE	84		
TRIM TAB ADJUSTMENT	86		
MANUAL RELIEF VALVE.....	87		

CONTENTS

CLEANING AND FLUSHING.....	109	OIL PRESSURE INDICATOR GOES OFF AND ENGINE SPEED IS LIMITED	123
Cleaning and Flushing	109	OVERHEAT INDICATOR COMES ON AND ENGINE SPEED IS LIMITED	124
STORAGE	111	WATER SEPARATOR BUZZER SOUNDS	126
Fuel.....	111	WATER SEPARATOR INDICATOR.....	126
Engine Oil	113	SUBMERGED OUTBOARD MOTOR.....	127
HOISTING THE OUTBOARD MOTOR.....	113	TECHNICAL INFORMATION.....	129
STORAGE PRECAUTIONS	113	Serial Number Locations	129
REMOVAL FROM STORAGE.....	114	Battery	130
TRANSPORTING	115	Emission Control System Information	130
WITH OUTBOARD MOTOR		Star Label	133
INSTALLED ON BOAT.....	115	Specifications	135
WITH OUTBOARD MOTOR		CONSUMER INFORMATION	138
REMOVED FROM BOAT	115	Honda Publications	138
TAKING CARE OF UNEXPECTED PROBLEMS... 116		Customer Service Information.....	138
ENGINE WILL NOT START.....	116	Warranty Statements	141
HARD STARTING OR STALLS AFTER		Distributor's Limited Warranty	141
STARTING.....	119	Emission Control System Warranty.....	146
ENGINE OVERHEATS.....	120	Distributor's Warranty	150
FUSES	121	INDEX.....	153
Electric Starter Will Not Operate.....	121		
Battery Will Not Charge	121		
Fuse Replacement	121		

OUTBOARD MOTOR SAFETY

IMPORTANT SAFETY INFORMATION

The Honda BF75D/BF90D outboard motors are designed for use with boats that have a suitable manufacturer's power recommendation. Other uses can result in injury to the operator or damage to the outboard motor and other property.

Most injuries or property damage can be prevented if you follow all instructions in this manual and on the outboard motor. The most common hazards are discussed in this chapter, along with the best way to protect yourself and others.

Operator Responsibility

- It is the operator's responsibility to provide the necessary safeguards to protect people and property. Know how to stop the engine quickly in case of emergency. Understand the use of all controls.
- Stop the engine immediately if anyone falls overboard, and do not run the engine while the boat is near anyone in the water.
- Always stop the engine if you must leave the controls for any reason.
- Attach the emergency stop switch lanyard securely to the operator.
- Always wear a PFD (Personal Flotation Device) while on the boat.
- Familiarize yourself with all laws and regulations relating to boating and the use of outboard motors.
- Be sure that anyone who operates the outboard motor receives proper instruction.
- Be sure the outboard motor is properly mounted on the boat.
- Do not remove the engine cover while the engine is running.

OUTBOARD MOTOR SAFETY

Refuel With Care

- Gasoline is extremely flammable, and gasoline vapor can explode. Refuel outdoors, in a well-ventilated area, with the engine stopped. Never smoke near gasoline, and keep other flames and sparks away.
- Refuel carefully to avoid spilling fuel. Avoid overfilling the fuel tank.
- After refueling, tighten the filler cap securely. If any fuel is spilled, make sure the area is dry before starting the engine.

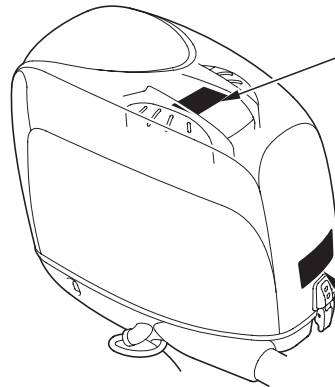
Carbon Monoxide Hazard

Exhaust contains poisonous carbon monoxide, a colorless, odorless gas. Breathing carbon monoxide can cause loss of consciousness and may lead to death.

If you run the engine in an area that is confined, or even partly enclosed, the air you breathe could contain a dangerous amount of exhaust gas.

Never run your outboard inside a garage or other enclosure.


SAFETY LABEL LOCATION LRTA and XRTA Types



 READ OWNER'S MANUAL.
EMERGENCY STARTING
1. REMOVE COVER.
2. PUT GEAR SELECTOR IN 'N' (NEUTRAL).
3. WIND SPARE ROPE CLOCKWISE.
4. KEEP HANDS CLEAR OF ENGINE WHILE PULLING ROPE.



⚠ WARNING
MOVING PARTS CAN INJURE YOU.
INSTALL ENGINE COVER AFTER STARTING ENGINE.

 Read owner's manual carefully before operation.

⚠ WARNING

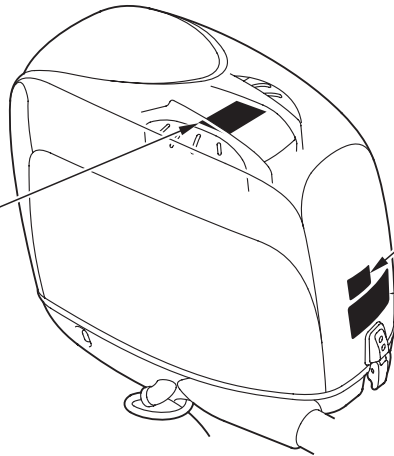
- Place transmission in neutral before starting.
- Do not operate with engine cover removed.
- Be sure the antiventilation plate is below the water line.
- Do not shift to reverse suddenly at high speed.

- Check oil level before starting.
- Flush the system thoroughly with fresh water after each use in salt water.
- Emergency starting instructions are on top of engine.

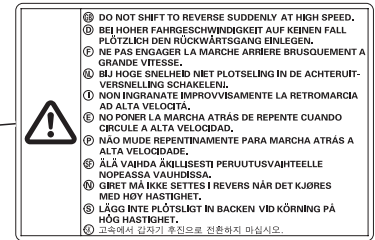
The labels shown here contain important safety information. Please read them carefully. These labels are considered permanent parts of your outboard motor. If a label comes off or becomes hard to read, contact an authorized Honda Marine dealer for a replacement.

OUTBOARD MOTOR SAFETY

SAFETY LABEL LOCATION LHTC, LRTC and XRTC Types





READ OWNER'S MANUAL



The labels shown here contain important safety information. Please read them carefully. These labels are considered permanent parts of your outboard motor. If a label comes off or becomes hard to read, contact an authorized Honda Marine dealer for a replacement.

OUTBOARD MOTOR SAFETY

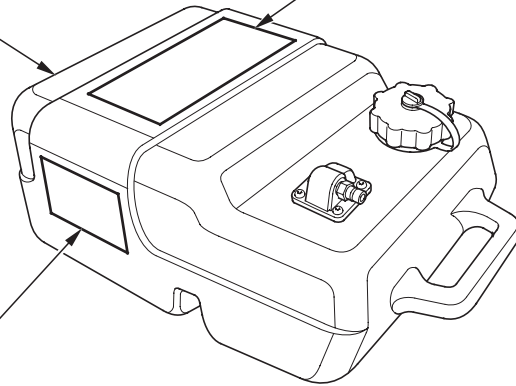
PORTABLE FUEL TANK
 [standard equipment (Canadian LHTC type)]
 [optional equipment (other types)]


GASOLINE
 LISTED
 OUTBOARD FUEL TANK

EXTREMELY FLAMMABLE
 FOR USE AS A MOTOR FUEL ONLY. MAY CONTAIN LEAD ANTI-KNOCK COMPOUNDS.

DANGER
 HARMFUL OR FATAL IF SWALLOWED. KEEP OUT OF REACH OF CHILDREN. IF SWALLOWED, DO NOT INDUCE VOMITTING. CALL A PHYSICIAN IMMEDIATELY.

CAUTION
 KEEP TOTALLY CLOSED WHEN NOT IN USE. KEEP AWAY FROM HEAT SPARKS, AND OPEN FLAME. SECURE ABOVE DECK IN WELL VENTILATED AREA. DO NOT USE FOR LONG TERM FUEL STORAGE. DO NOT USE FUEL/OIL MIXTURE. FOLLOW MOTOR MANUFACTURER'S RECOMMENDATIONS.



FUEL CAUTION
 (LHTC, LRTC and
 XRTC types)

FLAMMABLE DANGEROUS
GASOLINE
 REMOVE FROM BOAT FOR FILLING






INFLAMMABLE DANGEREUX
GAZOLINE
 SOBTIR DU BATEAU POUR REFAIRE LE PLEIND ESSENCE

OUTBOARD MOTOR SAFETY

LHTC, LRTC and XRTC Types



- Honda outboard motor is designed to give safe and dependable service if operated according to instructions. Read and understand the Owner's Manual before operating the outboard motor. Failure to do so could result in personal injury or equipment damage.



- Gasoline is harmful or fatal if swallowed. Keep the fuel tank out of reach of children.
- Gasoline is extremely flammable and is explosive under certain conditions. Refuel in a well-ventilated area with the engine stopped.
- Do not smoke or allow flames or sparks where the engine is refueled or where gasoline is stored.
- Do not overfill the fuel tank. After refueling make sure that the fuel tank cap is closed properly and securely.

- Be careful not to spill any fuel while refueling. Spilled fuel or fuel vapor may ignite. If any fuel is spilled, make sure that the area is dry before starting the engine.

CONTROLS AND FEATURES

CONTROL AND FEATURE IDENTIFICATION CODES

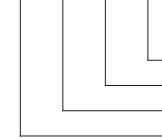
Model		BF75D		BF90D				
Type		LRTA	LRTC	LHTC	LRTA	LRTC	XRTA	XRTC
Transom Height (Shaft Length)	21.1 in (537 mm)	●	●	●	●	●		
	26.1 in (664 mm)						●	●
Tiller Handle				●				
Remote Control		●	●		●	●	●	●
Power Trim/Tilt		●	●	●	●	●	●	●
Trim Meter		*	●	●	*	●	*	●
Tachometer		*	●	●	*	●	*	●

* Optional equipment

Refer to this chart for an explanation of the Type Codes used in this manual to identify control and feature applications.

TYPE CODE (example)

L R T A



Destination: A= American, C= Canadian

Tilt System: T= Power Trim/Tilt

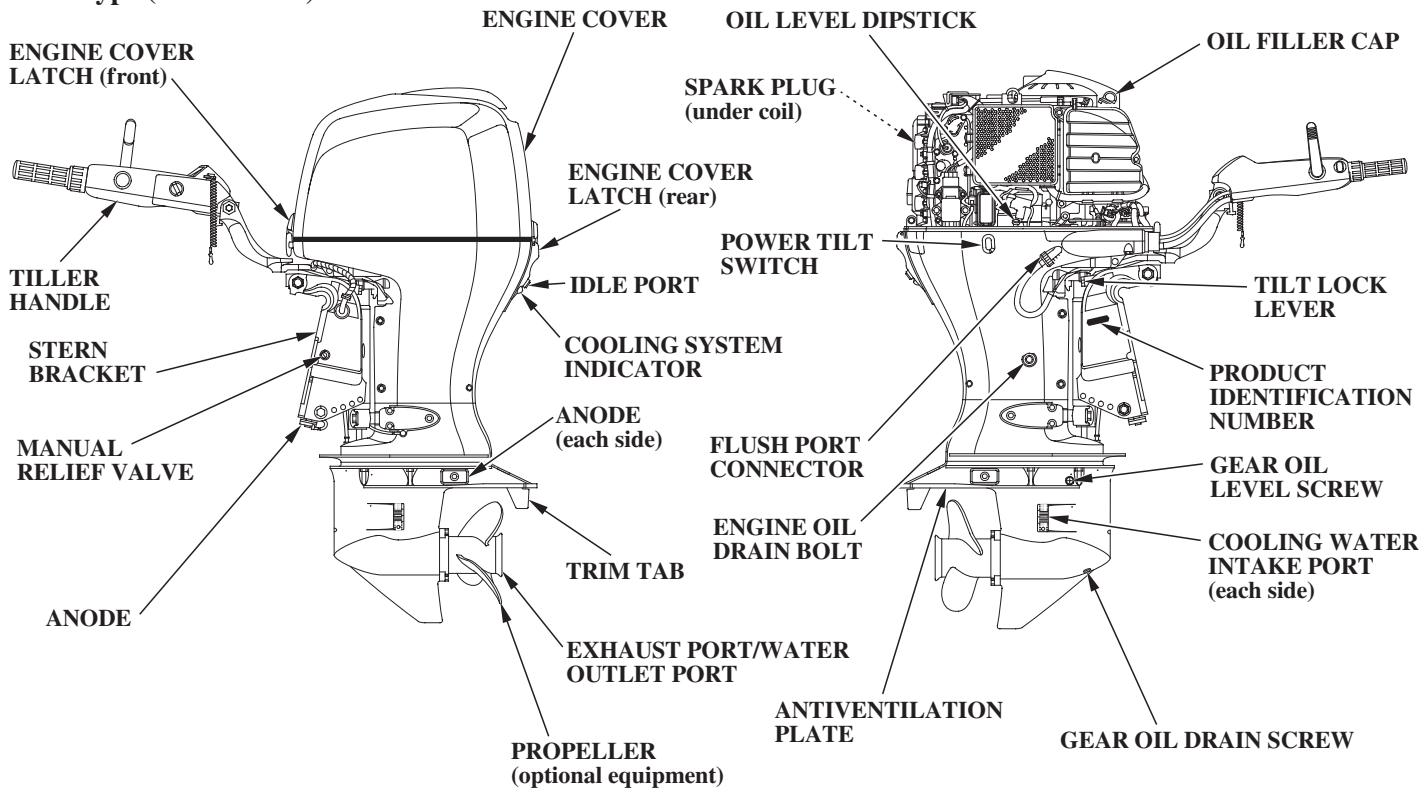
Control System: H= Tiller Handle, R= Remote Control

Transom Height (Shaft Length): L= 21.1 in (537 mm), X= 26.1 in (664 mm)

CONTROLS AND FEATURES

COMPONENT AND CONTROL LOCATIONS

LHT Type (tiller handle)



CONTROLS AND FEATURES

INDICATORS
(Oil pressure, Overheat,
Alternator, Malfunction)

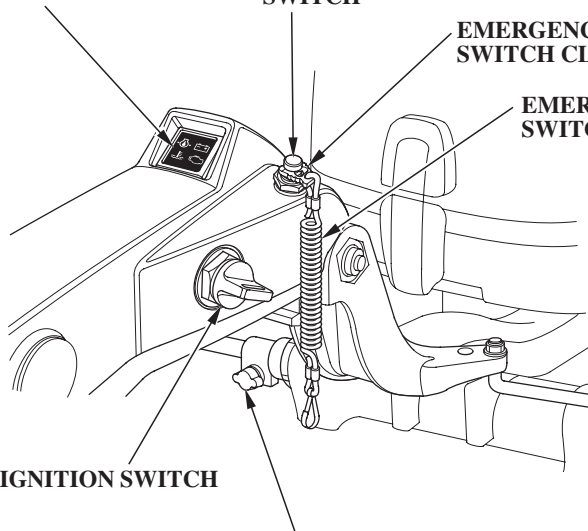
**EMERGENCY STOP
SWITCH**

**EMERGENCY STOP
SWITCH CLIP**

**EMERGENCY STOP
SWITCH LANYARD**

IGNITION SWITCH

STEERING FRICTION KNOB

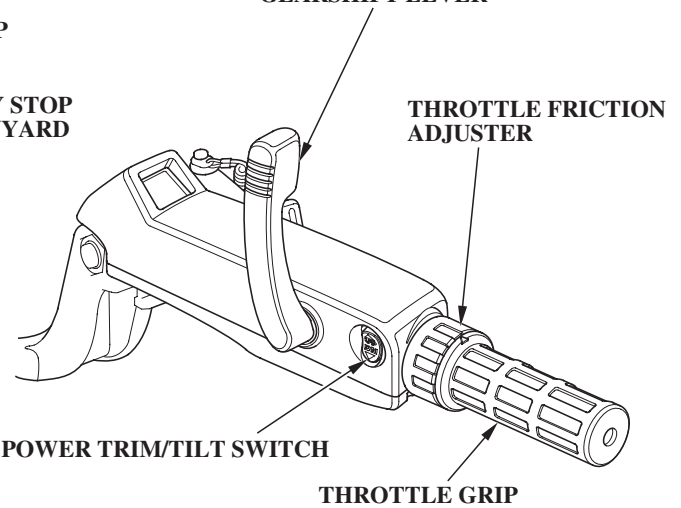


GEARSHIFT LEVER

**THROTTLE FRICTION
ADJUSTER**

POWER TRIM/TILT SWITCH

THROTTLE GRIP



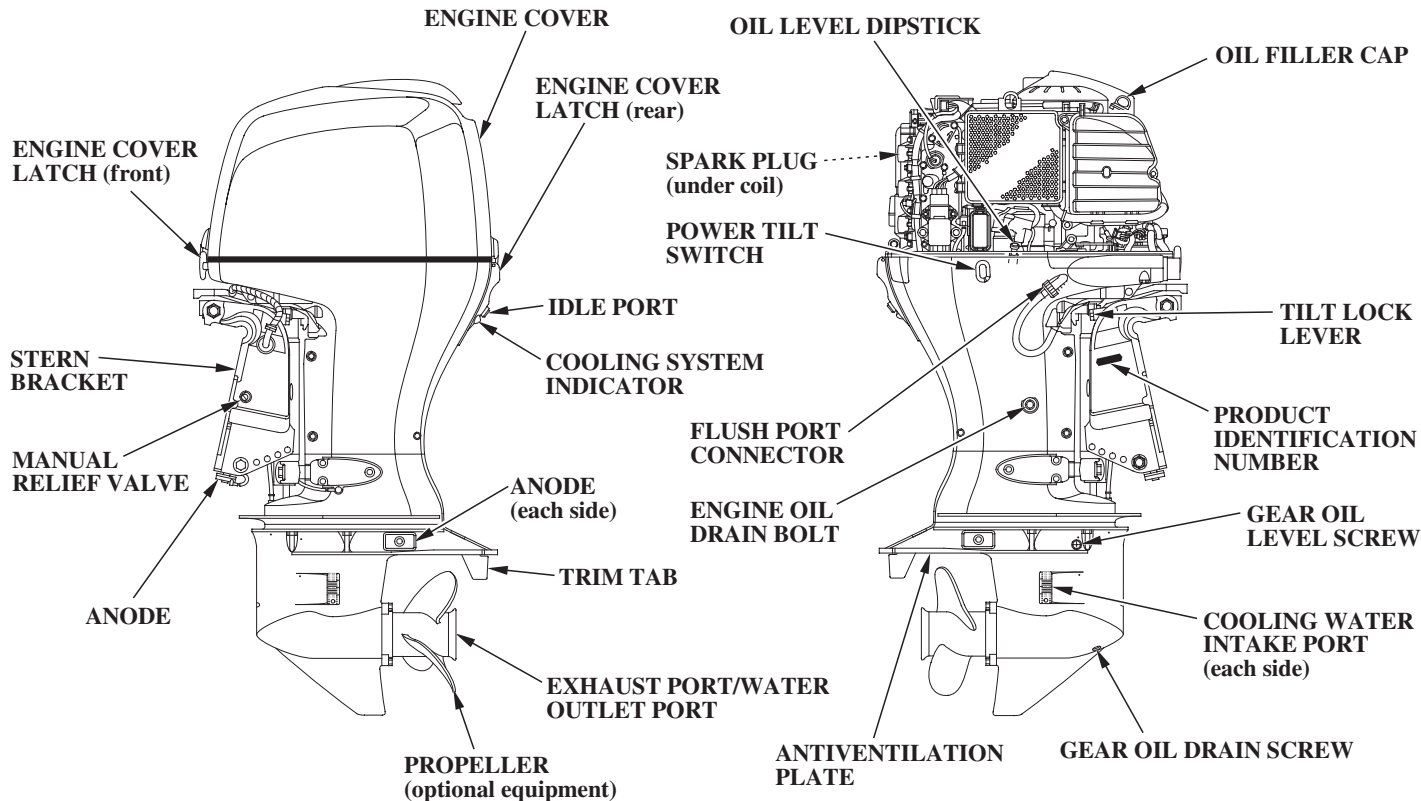
SPARE EMERGENCY STOP SWITCH CLIP



Store the spare emergency stop switch
clip in the tool bag.

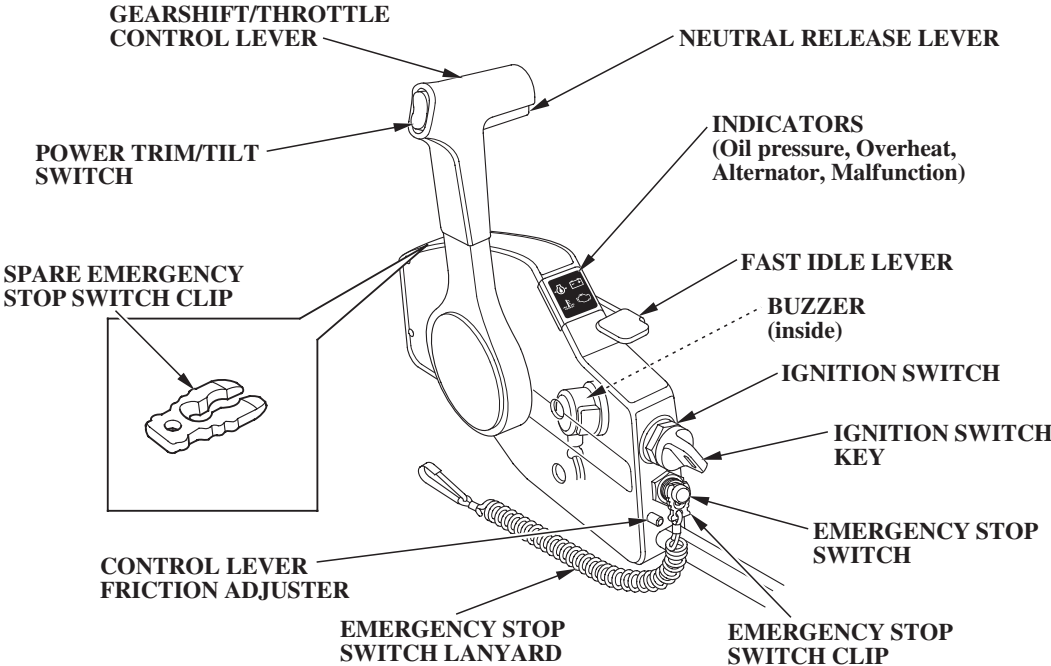
CONTROLS AND FEATURES

LRT and XRT Types (remote control)



Remote Controls (equipped type or optional equipment)

(SIDE-MOUNT REMOTE CONTROL)



CONTROLS AND FEATURES

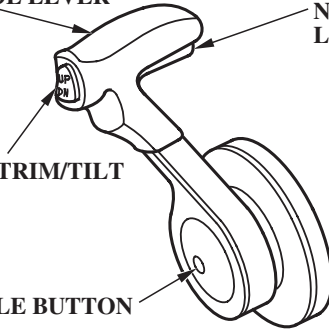
(PANEL-MOUNT REMOTE CONTROL)

GEARSHIFT/THROTTLE
CONTROL LEVER

NEUTRAL RELEASE
LEVER

POWER TRIM/TILT
SWITCH

FAST IDLE BUTTON



CONTROL PANEL (for PANEL-MOUNT type)

INDICATORS
(Oil pressure, Overheat,
Alternator, Malfunction)

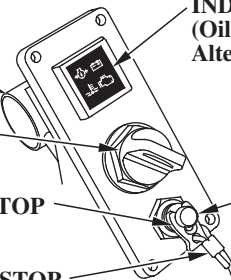
BUZZER

IGNITION
SWITCH

EMERGENCY STOP
SWITCH CLIP

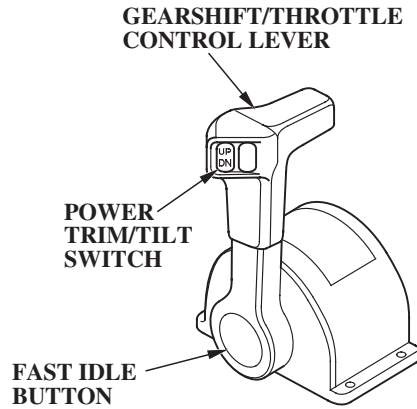
EMERGENCY STOP
SWITCH LANYARD

EMERGENCY
STOP SWITCH

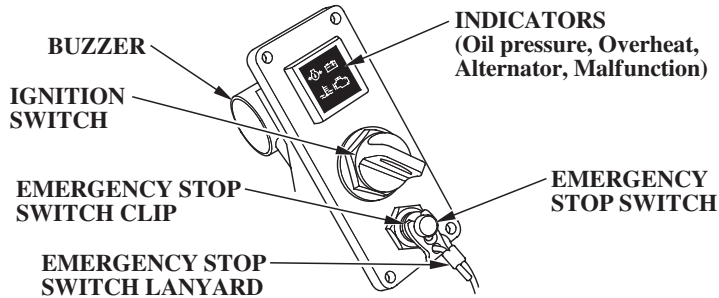


CONTROLS AND FEATURES

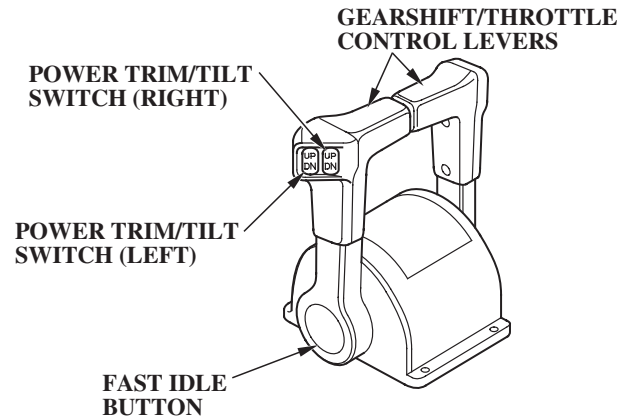
(SINGLE TOP-MOUNT REMOTE CONTROL)



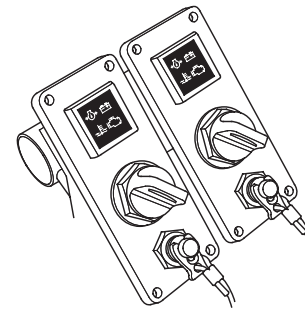
CONTROL PANEL
(for TOP-MOUNT SINGLE type)



(DUAL TOP-MOUNT REMOTE CONTROL)



(for TOP-MOUNT DUAL type)



CONTROLS AND FEATURES

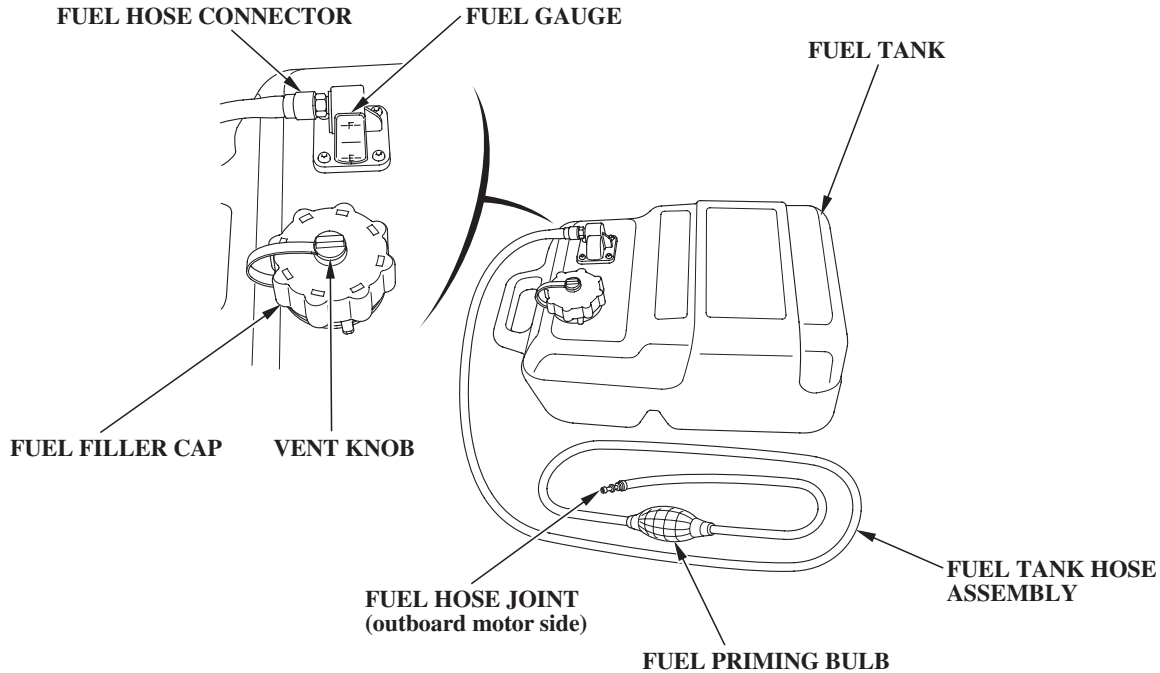
Portable Fuel Tank

[standard equipment (Canadian LHTC type)]

[optional equipment (other types)]

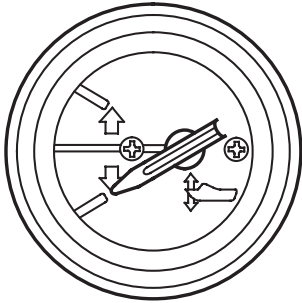
Fuel Tank Hose Assembly

(standard equipment)



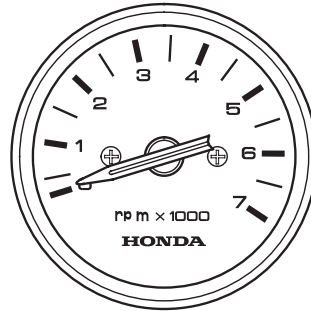
Trim Meter

[standard equipment (LHTC, LRTC and XRTC types)]
[optional equipment (LRTA and XRTA types)]



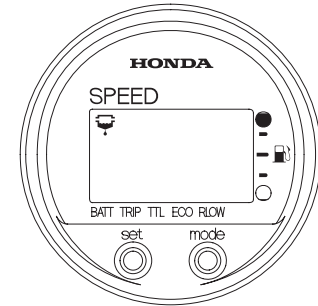
Tachometer

[standard equipment (LHTC, LRTC and XRTC types)]
[optional equipment (LRTA and XRTA types)]



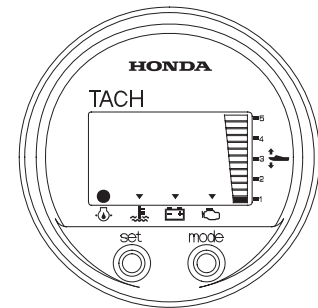
Digital Speedometer

[optional equipment (LRT and XRT types)]



Digital Tachometer

[optional equipment (LRT and XRT types)]

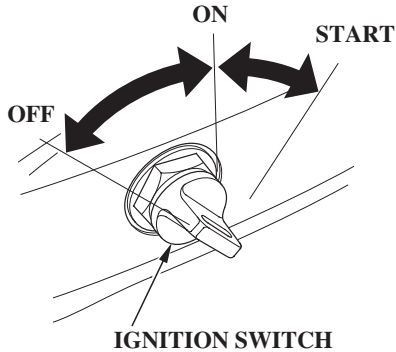


CONTROLS AND FEATURES

CONTROLS

LHT Type (tiller handle)

Ignition Switch



The ignition switch controls the ignition system and the starter motor.

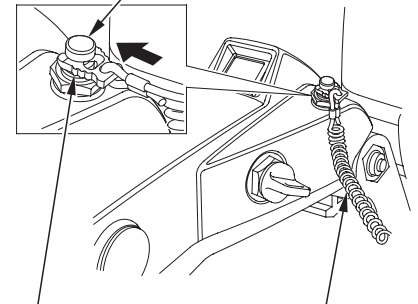
Turning the ignition switch key to the START position operates the starter motor. The key automatically returns to the ON position when released from the START position.

The engine will not start unless the gearshift lever is in the N (neutral) position (p. 55) and the emergency stop switch clip is in the emergency stop switch.

Turning the ignition switch to the OFF position stops the engine.

Emergency Stop Switch Clip and Emergency Stop Switch

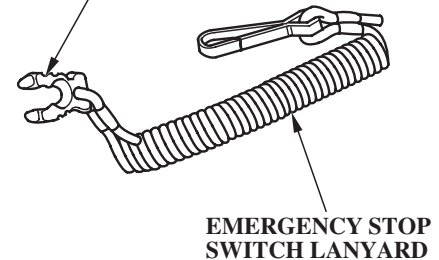
EMERGENCY STOP SWITCH



EMERGENCY STOP SWITCH CLIP

EMERGENCY STOP SWITCH LANYARD

EMERGENCY STOP SWITCH CLIP

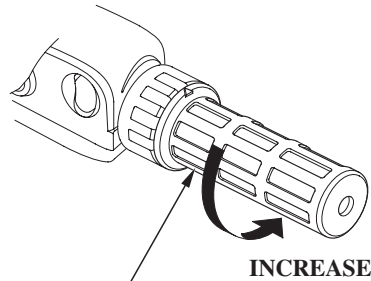


EMERGENCY STOP SWITCH LANYARD

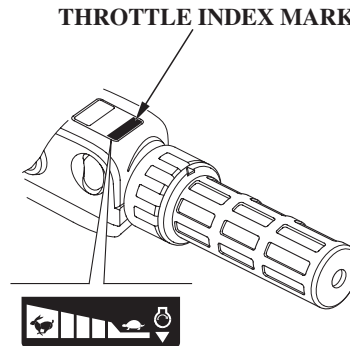
The emergency stop switch clip must be inserted in the emergency stop switch in order for the engine to start and run. The emergency stop switch lanyard must be attached securely to the operator or to the operator's PFD (Personal Flotation Device).

When used as described, the emergency stop switch and emergency stop switch lanyard system stops the engine if the operator falls away from the controls. A spare switch clip is provided in the tool bag (p. 83).

Throttle Grip



THROTTLE GRIP



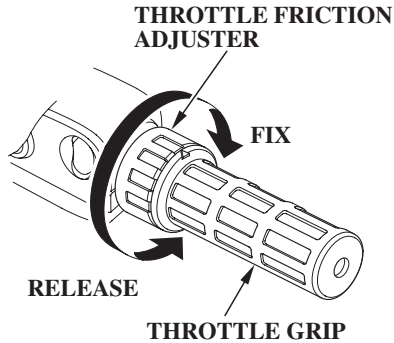
THROTTLE INDEX MARK

The throttle grip controls engine speed.

The throttle index mark shows throttle position and is helpful for setting the throttle correctly when starting (p. 72).

CONTROLS AND FEATURES

Throttle Friction Adjuster

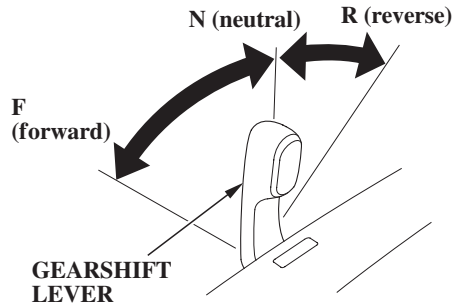


The throttle friction adjuster adjusts resistance to throttle grip rotation.

Turn the adjuster clockwise to increase friction for holding a throttle setting while cruising.

Turn the adjuster counterclockwise to decrease friction for easy throttle grip rotation.

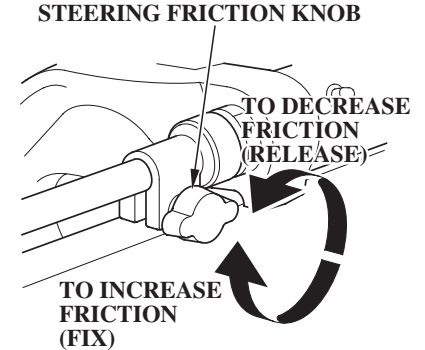
Gearshift Lever



The gearshift lever is used to select F (forward), N (neutral), or R (reverse) gears.

The engine can be started with the gearshift lever in the N (neutral) position only.

Steering Friction Knob



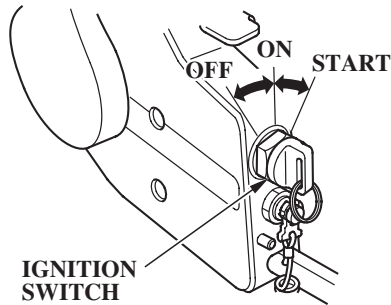
The steering friction adjuster adjusts steering resistance.

Less friction allows the outboard motor to turn more easily. More friction helps to hold a steady course while cruising or to prevent the outboard motor from swinging while trailering the boat.

LRT and XRT Types (remote control)

Side-Mount Type

Ignition Switch



The ignition switch controls the ignition system and the starter motor.

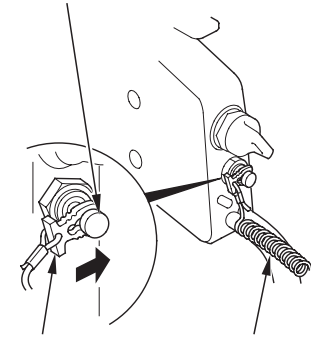
Turning the ignition switch key to the START position operates the starter motor. The key automatically returns to the ON position when released from the START position.

The ignition switch can be used to start the engine only when the control lever is in the N (neutral) position (p. 58) and the emergency stop switch clip is in the emergency stop switch.

Turning the ignition switch to the OFF position stops the engine.

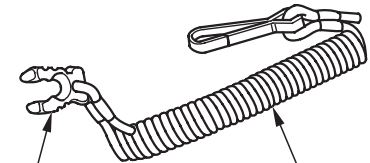
Emergency Stop Switch Clip and Emergency Stop Switch

EMERGENCY STOP SWITCH



EMERGENCY STOP SWITCH CLIP

EMERGENCY STOP SWITCH LANYARD



EMERGENCY STOP SWITCH CLIP

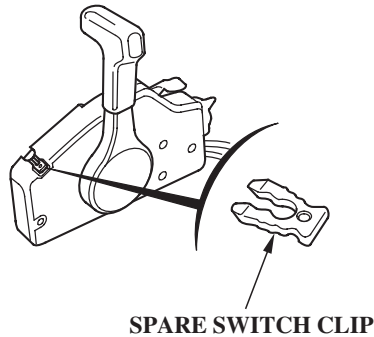
EMERGENCY STOP SWITCH LANYARD

CONTROLS AND FEATURES

The emergency stop switch clip must be inserted in the emergency stop switch in order for the engine to start and run. The emergency stop switch lanyard must be attached to the operator's PFD (Personal Flotation Device) or to the operator securely.

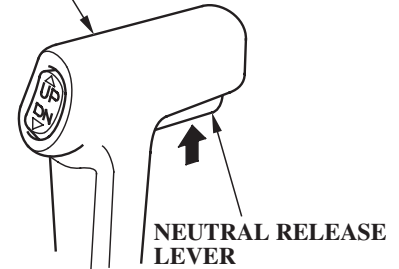
When used as described, the emergency stop switch clip and emergency stop switch lanyard system stops the engine if the operator falls away from the controls.

A spare switch clip is stored in a slot in the control housing and is provided in the tool bag (p. 83).

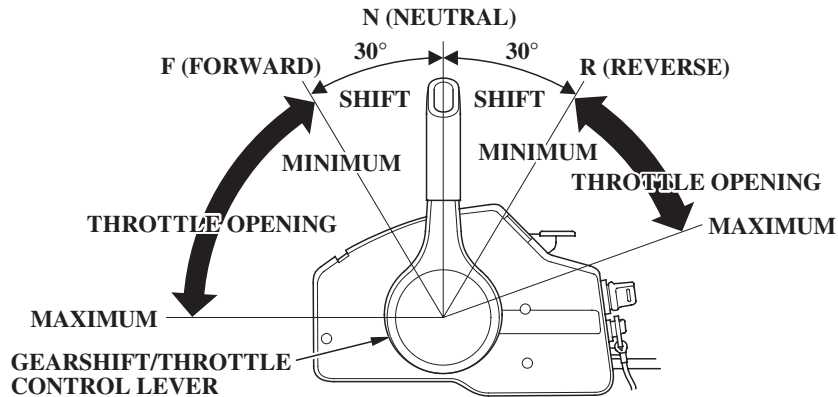


Gearshift/Throttle Control Lever

GEARSHIFT/THROTTLE CONTROL LEVER



The gearshift/throttle control lever controls engine speed and selects F (forward), N (neutral), or R (reverse) gears.



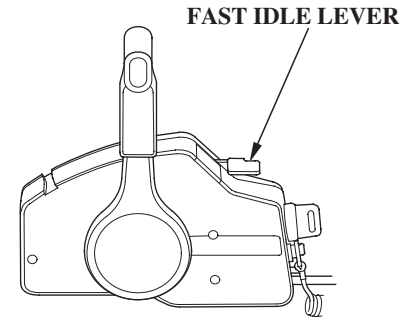
Moving the control lever 30° from N (neutral) selects the gear, and further movement increases engine speed.

The control lever automatically locks itself in the N (neutral) position. To move the lever out of the N (neutral) position, you must squeeze the neutral release lever on the underside of the lever handle.

A friction adjuster near the base of the control lever(s) adjusts the operating resistance of the control lever(s). Refer to p. 74.

Less friction allows easier control lever movement. More friction helps to hold a steady throttle setting while cruising.

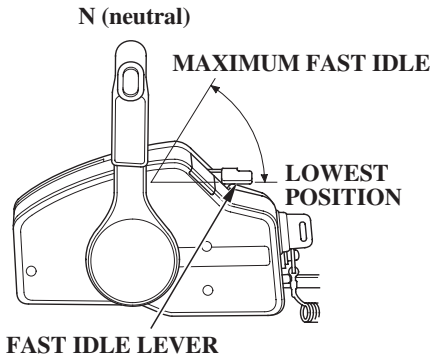
Fast Idle Lever



Use the fast idle lever to accelerate engine warm-up after starting the engine. Do not use the fast idle lever when starting the engine.

See page 60 for engine warm-up instructions.

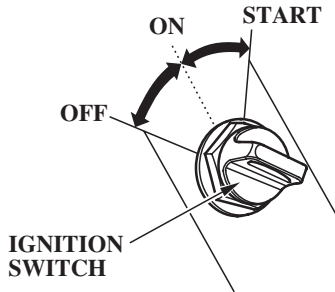
CONTROLS AND FEATURES



The fast idle lever allows you to increase the idle speed only when the control lever is in the N (neutral) position. Place the fast idle lever in its lowest position to cancel the fast idle and return the control lever to normal operation.

Panel-Mount Type

Ignition Switch



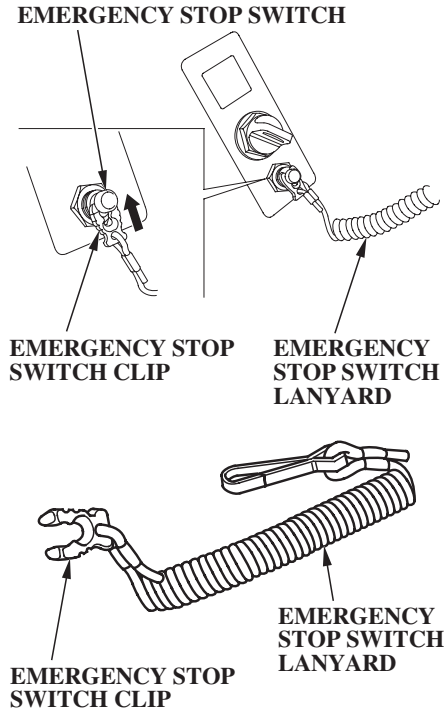
The ignition switch controls the ignition system and the starter motor.

Turning the ignition switch key to the START position operates the starter motor. The key automatically returns to the ON position when released from the START position.

The ignition switch can be used to start the engine only when the control lever is in the N (neutral) position (p. 61) and the emergency stop switch clip is in the emergency stop switch.

Turning the ignition switch to the OFF position stops the engine.

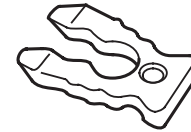
Emergency Stop Switch Clip and Emergency Stop Switch



The emergency stop switch clip must be inserted in the emergency stop switch in order for the engine to start and run. The emergency stop switch lanyard must be attached securely to the operator or to the operator's PFD (Personal Flotation Device).

When used as described, the emergency stop switch clip and emergency stop switch lanyard system stops the engine if the operator falls away from the controls.

A spare switch clip is supplied with the outboard motor.

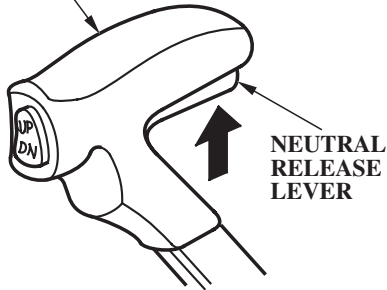


SPARE SWITCH CLIP

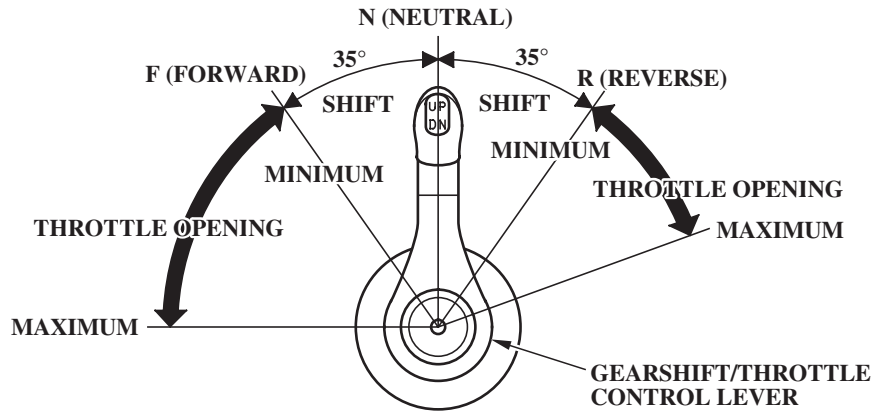
CONTROLS AND FEATURES

Gearshift/Throttle Control Lever

GEARSHIFT/THROTTLE CONTROL LEVER



The gearshift/throttle control lever controls engine speed and selects F (forward), N (neutral), or R (reverse) gears.



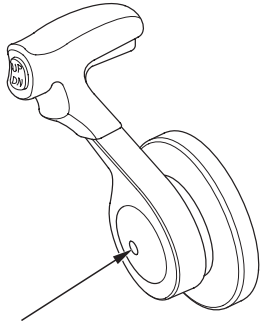
Moving the control lever 35° from N (neutral) selects the gear, and further movement increases engine speed.

The control lever automatically locks itself in the N (neutral) position. To move the lever out of the N (neutral) position, you must squeeze the neutral release lever on the underside of the lever handle.

A friction adjuster near the base of the control lever adjusts the operating resistance of the control lever. Refer to p. 74.

Less friction allows easier control lever movement. More friction helps to hold a steady throttle setting while cruising.

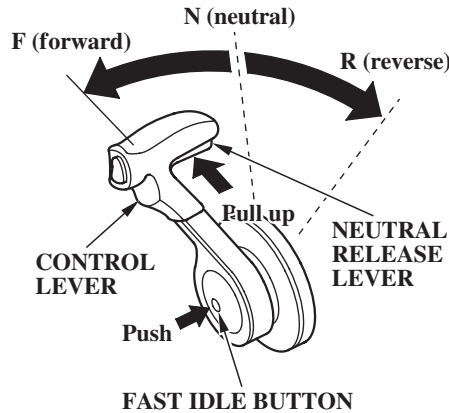
Fast Idle Button



FAST IDLE BUTTON

Use the fast idle button to accelerate engine warm-up after starting the engine. Do not use the fast idle button when starting the engine.

See page 62 for engine warm-up instructions.



The fast idle button allows you to increase the idle speed without engaging the drive gears. Move the control lever toward the F (forward) or R (reverse) position after pushing in the fast idle button to increase the idle speed.

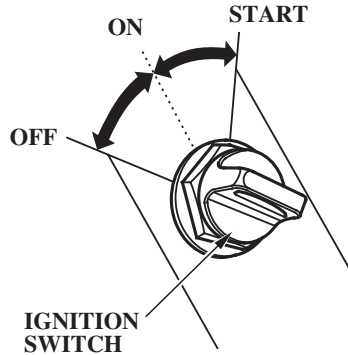
It is necessary to position the control lever in the N (neutral) position to push in the fast idle button.

Return the control lever to N (neutral) position to cancel the fast idle operation.

CONTROLS AND FEATURES

Top-Mount Type

Ignition Switch



The ignition switch controls the ignition system and the starter motor.

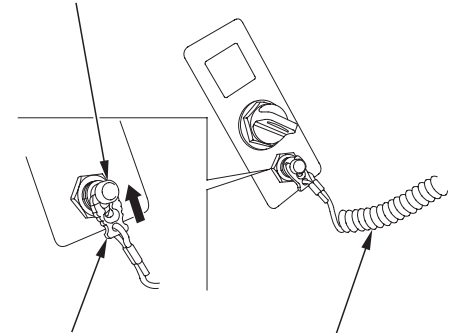
Turning the ignition switch key to the START position operates the starter motor. The key automatically returns to the ON position when released from the START position.

The ignition switch can be used to start the engine only when the control lever is in the N (neutral) position (p. 64) and the emergency stop switch clip is in the emergency stop switch.

Turning the ignition switch to the OFF position stops the engine.

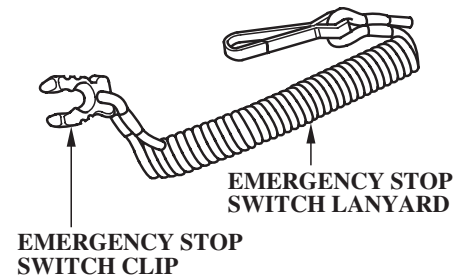
Emergency Stop Switch Clip and Emergency Stop Switch

EMERGENCY STOP SWITCH



EMERGENCY STOP SWITCH CLIP

EMERGENCY STOP SWITCH LANYARD

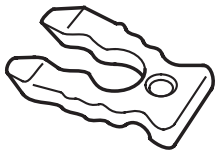


EMERGENCY STOP SWITCH CLIP

EMERGENCY STOP SWITCH LANYARD

The emergency stop switch clip must be inserted in the emergency stop switch in order for the engine to start and run. The emergency stop switch lanyard must be attached securely to the operator or to the operator's PFD (Personal Flotation Device).

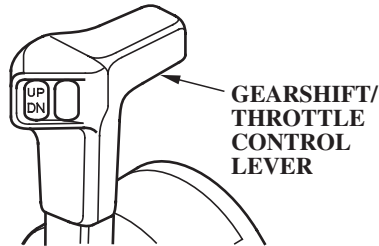
When used as described, the emergency stop switch clip and emergency stop switch lanyard system stops the engine if the operator falls away from the controls. A spare switch clip is supplied with the outboard motor.



SPARE SWITCH CLIP

Gearshift/Throttle Control Lever

SINGLE TYPE



DUAL TYPE



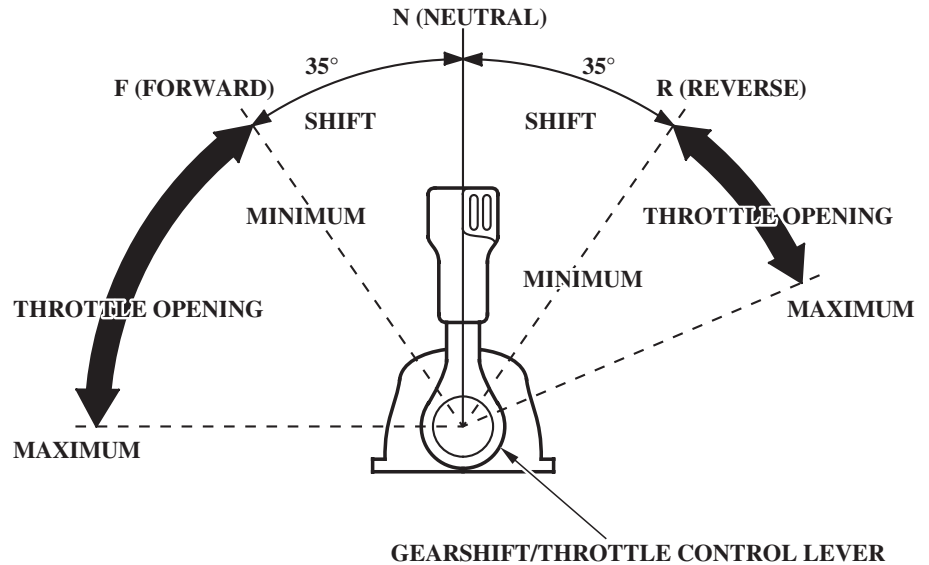
The gearshift/throttle control lever(s) controls engine speed and selects F (forward), N (neutral), or R (reverse) gears.

CONTROLS AND FEATURES

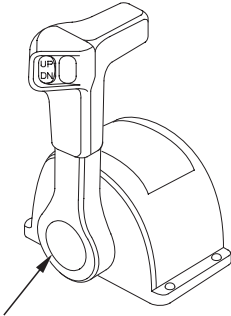
Moving the control lever 35° from N (neutral) selects the gear, and further movement increases engine speed.

A friction adjuster inside the control box adjusts the operating resistance of the control lever(s). Refer to p. 74.

Less friction allows easier control lever movement. More friction helps to hold a steady throttle setting while cruising.



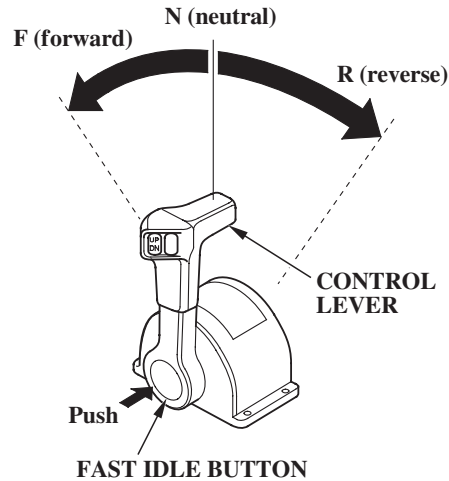
Fast Idle Button



FAST IDLE BUTTON

Use the fast idle button to accelerate engine warm-up after starting the engine. Do not use the fast idle button when starting the engine.

See page 65 for engine warm-up instructions.



The fast idle button allows you to increase the idle speed without engaging the drive gears. Move the control lever toward the F (forward) or R (reverse) position after pushing in the fast idle button to increase the idle speed.

It is necessary to position the control lever in the N (neutral) position to push in the fast idle button.

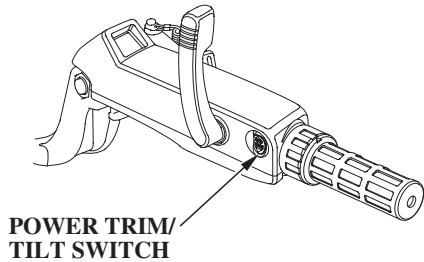
Return the control lever to N (neutral) position to cancel the fast idle operation.

CONTROLS AND FEATURES

Common Controls

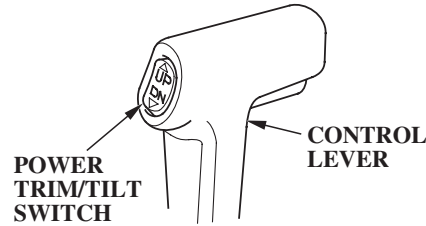
Power Trim/Tilt Switch (tiller handle/control lever side)

LHT Type

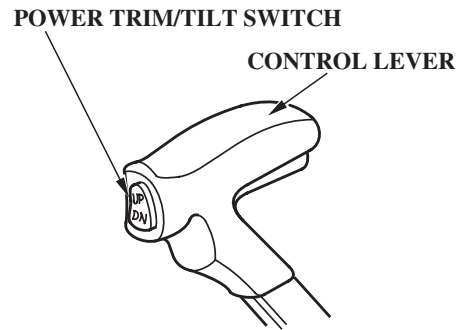


LRT and XRT Types

(side-mount type)

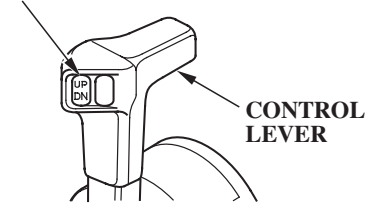


(panel-mount type)



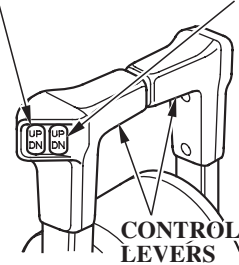
(top-mount single type)

POWER TRIM/TILT SWITCH



(top-mount dual type)

POWER TRIM/TILT SWITCHES (LEFT) (RIGHT)



The power trim/tilt switch is located on the control lever. It is a rocker switch with UP and DN (down) positions for changing the angle of the outboard motor.

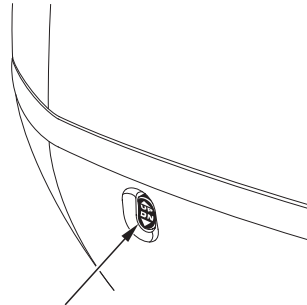
You can use the power trim/tilt switch anytime whether the boat is underway, stopped, or the ignition switch is in the OFF position. It is necessary for the ignition switch to be in the ON position for the trim meter to indicate the outboard motor angle.

Trim the outboard motor to obtain the best performance and stability (p. 76).

Tilt the outboard motor for shallow water operation, beaching, launching, or mooring.

For dual mount outboard motors, tilt them up at the same time.

Power Tilt Switch (engine pan side)



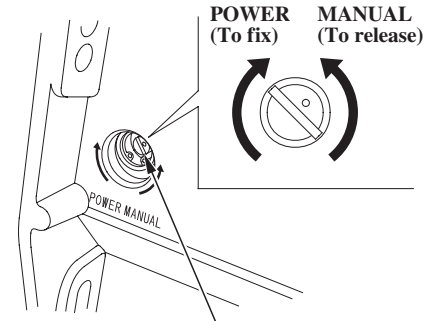
POWER TILT SWITCH

The power tilt switch is located on the engine pan. It is a rocker switch with UP and DN (down) positions for changing the angle of the outboard motor.

The power tilt switch will operate without turning the ignition switch ON.

This switch is used with the engine stopped to raise the outboard motor for mooring, trailering, or maintenance.

Manual Relief Valve



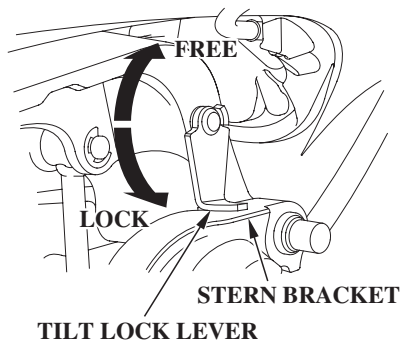
MANUAL RELIEF VALVE

The outboard motor can be tilted manually after opening the manual relief valve. This allows the outboard motor to be tilted up or down when no battery is connected.

Check that nobody is under the outboard motor before opening the manual relief valve. If the manual relief valve is loosened (turned counterclockwise) when the outboard motor is tilted up, the outboard motor will suddenly tilt down.

CONTROLS AND FEATURES

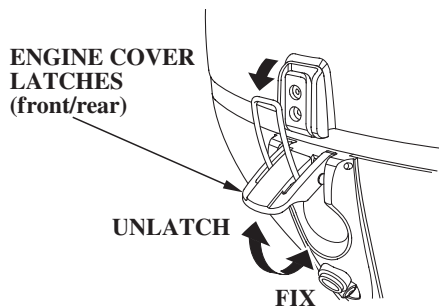
Tilt Lock Lever



The tilt lock lever is used to support the outboard motor in the fully-raised position.

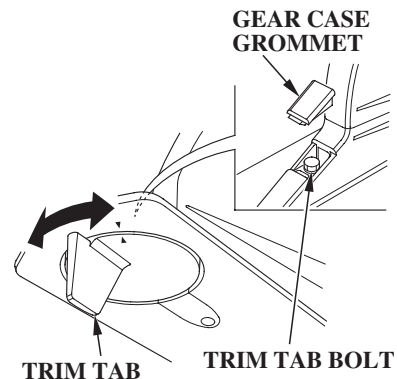
When the boat is to be moored for a long time, tilt the outboard motor up as far as it will go. Then move the tilt lock lever to the LOCK position, and gently lower the outboard motor until the lever contacts the stern bracket.

Engine Cover Latch (front/rear)



The engine cover latch fastens the engine cover to the outboard motor.

Trim Tab



The trim tab compensates for “torque steer,” which is a reaction of the outboard motor to propeller rotation.

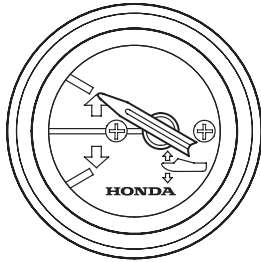
If uncompensated, torque steer would make the outboard motor tend to turn to one side.

When the trim tab is correctly adjusted (p. 86), steering effort is equal in either direction.

INSTRUMENTS

Trim Meter

[standard equipment (LHTC, LRTC and XRTC types)]
[optional equipment (LRTA and XRTA types)]

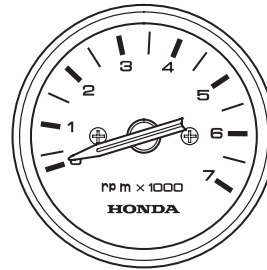


The trim meter indicates the relative trim angle of the outboard motor.

Refer to the trim meter when using the power trim/tilt switch to achieve the best performance from the boat.

Tachometer

[standard equipment (LHTC, LRTC and XRTC types)]
[optional equipment (LRTA and XRTA types)]

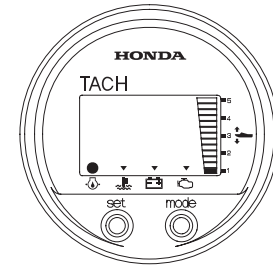


The tachometer shows engine speed in revolutions per minute.

Refer to the tachometer when using the throttle and power trim/tilt controls to achieve the best performance from the boat.

Digital Tachometer

[optional equipment (LRT and XRT types)]



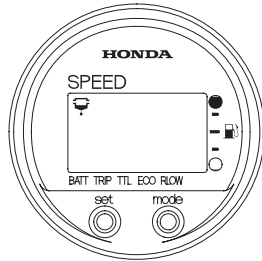
Digital Tachometer includes the following functions.

- Tachometer
- Hour Meter
- Trim Meter
- Oil Pressure Indicator
- Overheat Indicator
- ACG Indicator
- Malfunction Indicator

Refer to the Operation Guide included with the Digital Tachometer for operation information.

CONTROLS AND FEATURES

Digital Speedometer [optional equipment (LRT and XRT types)]

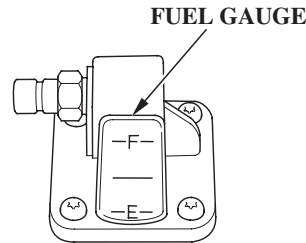


Digital Speedometer includes the following functions.

- Speedometer
- Fuel Level Meter
- Voltmeter
- Tripmeter
- Fuel Integration Meter
- Fuel Economy Meter
- Fuel Flow Meter
- Water Separator Indicator

Refer to the Operation Guide included with the Digital Speedometer for operation information.

Fuel Gauge [standard equipment (Canadian LHTC type)] [optional equipment (other types)]



A fuel gauge is built into the fuel tank connector of the portable fuel tank.

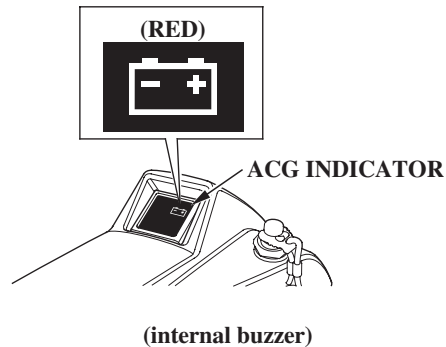
INDICATORS

The indicator lights come on and the buzzer sounds when you turn the ignition switch ON, allowing you to see that they are working. If an indicator does not light during this test, it cannot alert you if that system develops a problem. Have your Honda Marine dealer check for burned-out bulbs or other problems. Under normal conditions, the following occur when the ignition switch is turned ON:

1. The ACG, Malfunction, Oil Pressure, and Overheat indicators light.
2. The buzzer will beep twice.
3. The Malfunction, Oil Pressure, and Overheat indicators will go out after the second beep.
4. The ACG indicator will go out after the engine starts.
5. The Oil Pressure indicator will light again after the engine starts and will stay lit to indicate the oil pressure is normal.

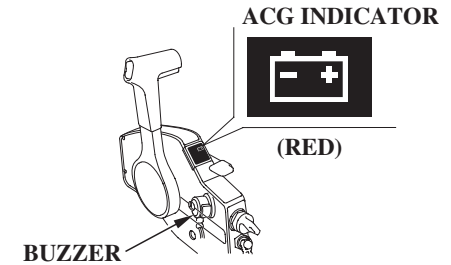
Alternator (ACG) Indicator

LHT Type

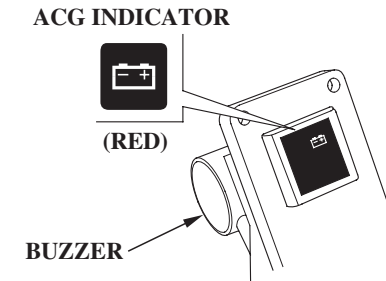


LRT and XRT Types

(side-mount type)



(panel-mount/top-mount types)

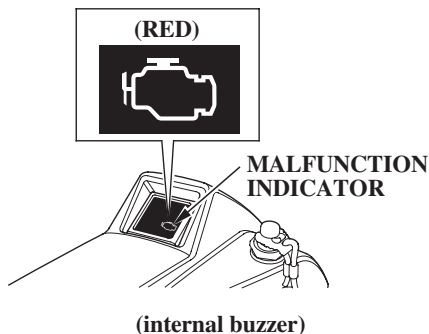


The ACG indicator turns on and the buzzer sounds in one-second intervals when the charging system is faulty.

CONTROLS AND FEATURES

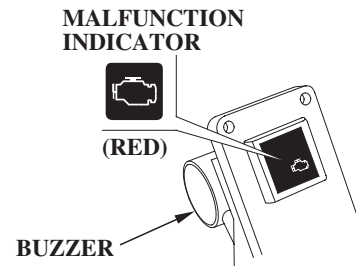
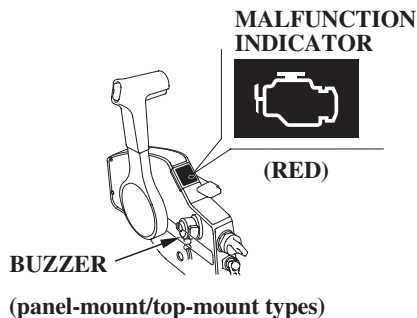
Malfunction Indicator

LHT Type



LRT and XRT Types

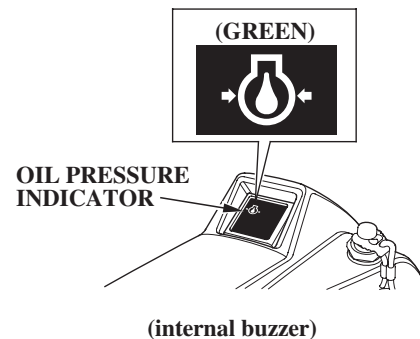
(side-mount type)



When the engine control system detects an engine control system malfunction, the malfunction indicator turns on and the buzzer sounds at one-second intervals.

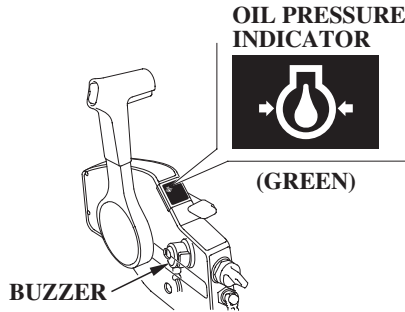
Oil Pressure Indicator

LHT Type

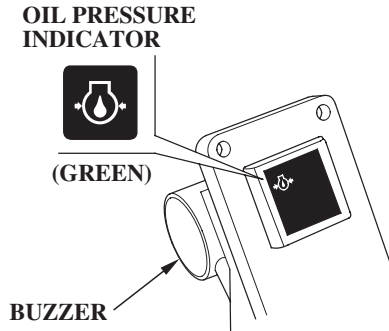


LRT and XRT Types

(side-mount type)



(panel-mount/top-mount types)



When the oil pressure indicator is lit, oil pressure is OK.

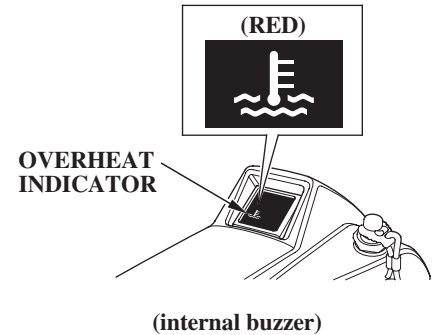
If oil pressure becomes low, the indicator will go off, and the engine protection system will limit engine speed. Refer to *TAKING CARE OF UNEXPECTED PROBLEMS*, on p. 123 .

All models are equipped with a buzzer that sounds continuously when the oil pressure indicator goes off.

Low oil pressure indicates that the engine oil level is low or that there is a problem with the engine lubrication system.

Overheat Indicator

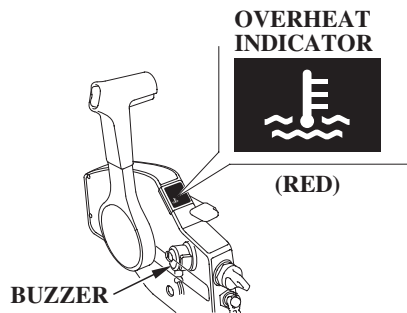
LHT Type



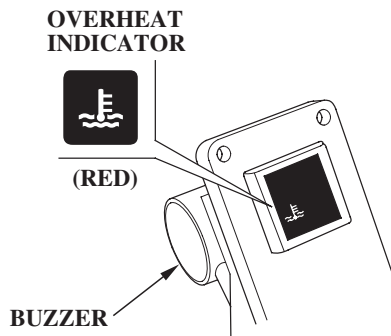
CONTROLS AND FEATURES

LRT and XRT Types

(side-mount type)



(panel-mount/top-mount types)



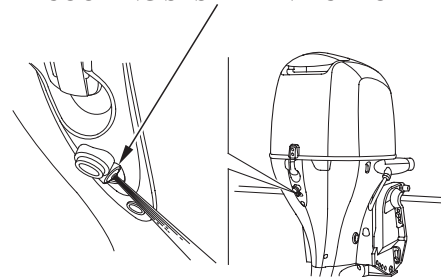
When the alert triggers, the overheat indicator comes on and the buzzer sounds a steady tone as the engine speed is reduced to 1,800 rpm. If the condition persists for another 20 seconds, the engine shuts off. Refer to *TAKING CARE OF UNEXPECTED PROBLEMS*, on p. 124.

All models are equipped with a buzzer that sounds continuously when the red light comes on.

Engine overheating may be the result of clogged water intakes.

Cooling System Indicator

COOLING SYSTEM INDICATOR



Water should flow from the cooling system indicator while the engine is running. This shows that water is circulating through the cooling system.

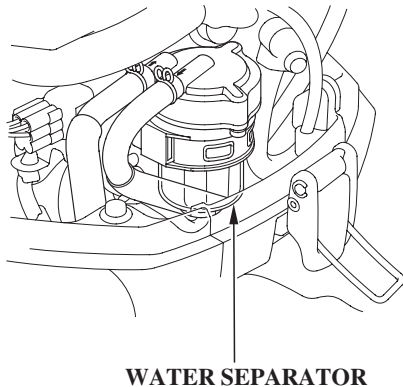
If water stops flowing while the engine is running, it indicates a cooling system problem, such as clogged water intakes, which will cause engine overheating.

The cooling system indicator discharge port can also become plugged.

OTHER FEATURES

Water Separator Buzzer

The water separator buzzer sounds a rapid, repeating signal when water has accumulated in the water separator.



Overrev Limiter

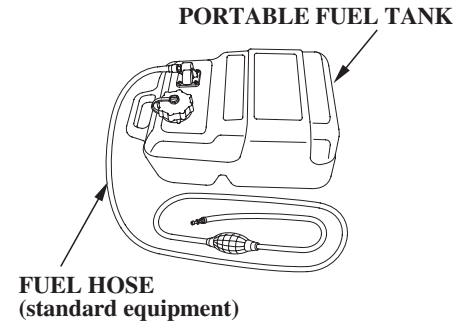
The engine is equipped with an overrev limiter to prevent the possibility of mechanical damage from excessive engine speed.

The overrev limiter may be activated during operation, limiting engine speed, if the outboard motor is trimmed or tilted up excessively, or when propeller ventilation occurs during a sharp turn.

If the overrev limiter is activated, check the trim angle of the outboard motor.

Check to see if the correct propeller is installed.

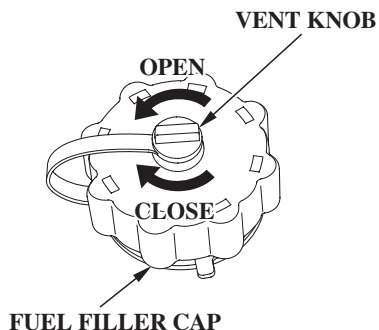
Portable Fuel Tank [standard equipment (Canadian LHTC type)] [optional equipment (other types)]



The portable fuel tank has a capacity of 6.6 US gal (25L) and has a fuel gauge built into the fuel tank connector.

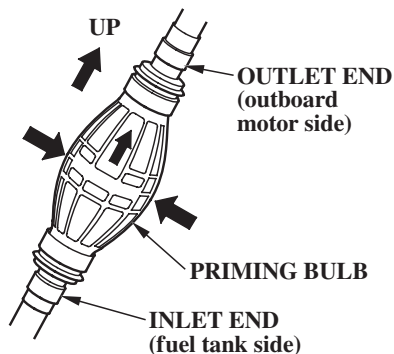
CONTROLS AND FEATURES

Fuel Filler Cap Vent Knob



The fuel filler cap is provided with a vent knob to seal the portable fuel tank for carrying it to and from the boat. Open the vent by turning the vent knob counterclockwise all the way before starting the engine.

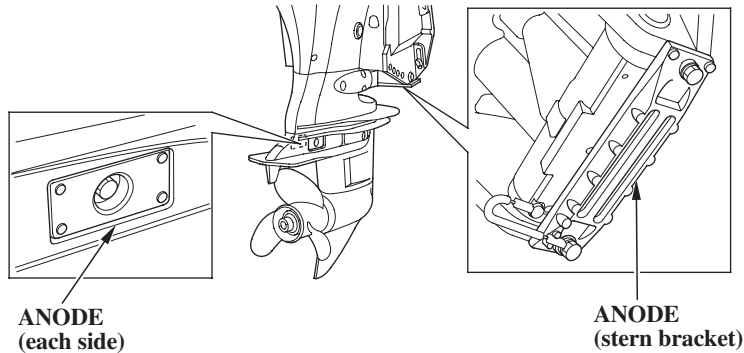
Fuel Priming Bulb



A priming bulb is built into the fuel hose that connects the fuel tank to the outboard motor.

Before starting the engine, hold the priming bulb up in the direction of the arrow; then squeeze the priming bulb until it feels firm. This will ensure that fuel is supplied to the engine (p. 54).

Anodes



The anodes are made of a sacrificial material that helps to protect the outboard motor from corrosion.

There are two anodes on the gear case, one on the stern bracket and two small anodes in the water passages of the engine block.

BEFORE OPERATION

ARE YOU READY TO GET UNDERWAY?

Your safety is your responsibility. A little time spent in preparation will significantly reduce your risk of injury.

Knowledge

Read and understand this manual. Know what the controls do and how to operate them.

Familiarize yourself with the outboard motor and its operation before you get underway. Know what to do in case of an emergency.

Familiarize yourself with all laws and regulations relating to boating and the use of outboard motors.

Safety

Always wear a PFD (Personal Flotation Device) while on the boat.

Attach the emergency stop switch clip securely to the operator or to the operator's PFD (Personal Flotation Device).

IS YOUR OUTBOARD MOTOR READY TO GO?

For your safety, and to maximize the service life of your equipment, it is very important to take a few moments before you operate the outboard motor to check its condition. Be sure to take care of any problem you find, or have your authorized Honda Marine dealer correct it, before you operate the outboard motor.

WARNING

Improperly maintaining this outboard motor or failing to correct a problem before operation can cause a malfunction in which you could be seriously hurt or killed.

Always perform a pre-operation inspection before each operation, and correct any problem.

Before beginning your pre-operation checks, be sure the ignition switch is in the OFF position.

Safety Inspection

- Look around the outboard motor for signs of oil or gasoline leaks.
- If you are using the portable fuel tank (standard or optional equipment), make sure it is in good condition and properly secured in the boat (p. 52).
- Check that the fuel hose is undamaged and properly connected.
- Wipe up any spills before starting the engine.
- Check the stern bracket to be sure the outboard motor is securely installed.
- Check that all controls are operating properly.
- Replace any damaged parts.

- Check that all fasteners are in place and securely tightened.
- Check the emergency stop switch for proper operation. Start the engine (p. 25 , 29 or 32). Make sure the engine stops by pulling the emergency stop switch clip from the emergency stop switch (p. 69).

Maintenance Inspection

- Check the engine oil level (p. 88). Running the engine with a low oil level can cause engine damage.
- Check to be sure the propeller is undamaged and the castle nut is secured with the cotter pin (p. 108).
- Check that the anodes are securely attached to the stern bracket and the gear case (p. 107) and are not excessively worn. The anodes help protect the outboard motor from corrosion.

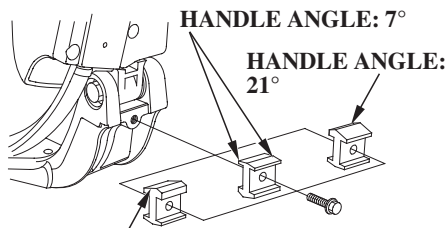
- Make sure a tool kit and the emergency starter rope are onboard (p. 83). Replace any missing items.
- Check the fuel level in the fuel tank (p. 97).
- Check that the battery fluid is between the upper and lower levels, and the battery leads are connected securely.
- Check the water separator for water contamination (p.100).

BEFORE OPERATION

Tiller Handle Height/Angle Adjustment (LHT type)

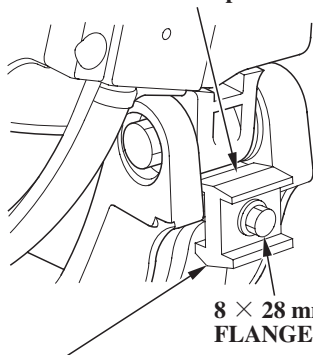
The tiller handle height and angle can be adjusted to three positions by changing the installation direction of the height adjustment block. Select a suitable height and angle for the operator and secure the block.

1. Raise the tiller handle and remove the 8 × 28 mm flange bolt and the height adjustment block.
2. Pull down the tiller handle. Determine the height adjustment block installation direction and secure the block with the 8 × 28 mm flange bolt.

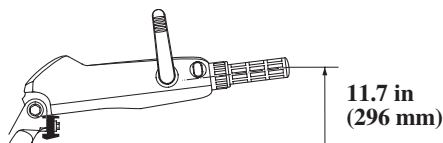


HANDLE ANGLE: 13°

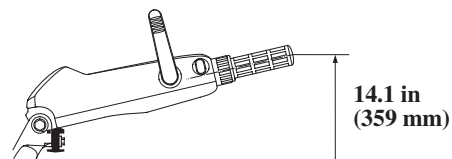
Install the height adjustment block so that the selected angle of the tiller handle is in this position.



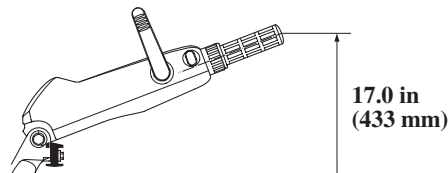
HEIGHT ADJUSTMENT BLOCK



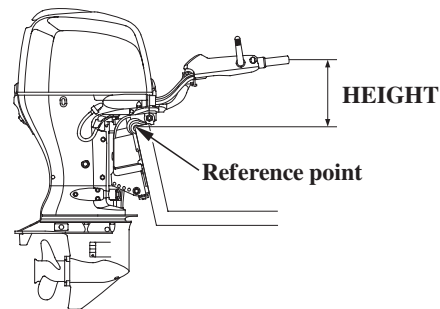
HANDLE ANGLE: 7°



HANDLE ANGLE: 13°



HANDLE ANGLE: 21°



SAFE OPERATING PRECAUTIONS

To safely realize the full potential of this outboard motor, you need a complete understanding of its operation and a certain amount of practice with its controls.

Before operating the outboard motor for the first time, please review the *IMPORTANT SAFETY INFORMATION* on page 7 and the chapter titled *BEFORE OPERATION*.

For your safety, do not start or run the engine in a confined or partly enclosed area. Your engine's exhaust contains poisonous carbon monoxide, a colorless, odorless gas that can collect rapidly. Breathing carbon monoxide can cause loss of consciousness and may lead to death.

BREAK-IN PROCEDURE

Break-in period: 10 hours

Proper break-in operation allows the moving parts to wear in smoothly for best performance and long service life. Avoid continuous operation at a steady speed.

First 15 minutes:

Run the engine at trolling speed. Use the minimum throttle opening necessary to operate the boat at a safe trolling speed.

Next 45 minutes:

Run the engine up to a maximum of 2,000 to 3,000 rpm, which is about 10% to 30% of maximum throttle opening. Operating at maximum 2,000~3,000 rpm should be limited to 50% of the 45 minutes.

Next 60 minutes:

Run the engine up to a maximum of 4,000 to 5,000 rpm, which is about 50% to 80% of maximum throttle opening. Operating at maximum 4,000~5,000 rpm should be limited to 50% of the 60 minutes. 30-second full-throttle bursts are OK, but do not operate the engine continuously at full throttle.

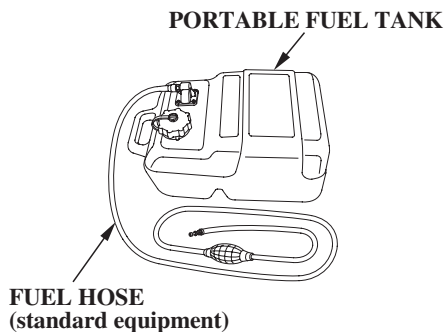
For boats that plane easily, bring the boat up on plane, and then reduce the throttle opening to the recommended rpm range.

Next 8 hours:

Do not run the engine at full throttle for more than 5 minutes at a time.

OPERATION

PORTABLE FUEL TANK [standard equipment (Canadian LHTC type)] [optional equipment (other types)]



Place the portable fuel tank in a well-ventilated location, away from direct sunlight, to reduce the possibility of a gasoline vapor explosion.

To ensure that the outboard motor will be able to draw fuel from the tank, place the tank within 6 feet (2 m) of the outboard motor and not more than 3 feet (1 m) below the fuel connector on the outboard motor.

Secure the portable fuel tank in the boat so that it won't move around and become damaged.

⚠ WARNING

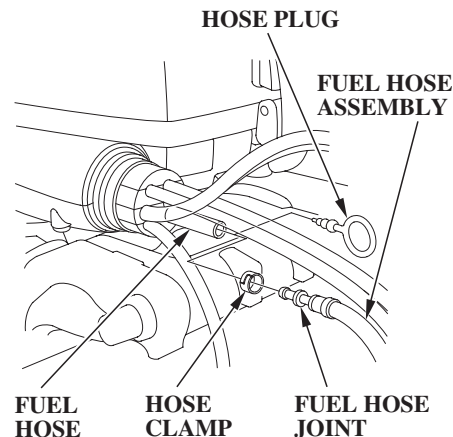
Gasoline is highly flammable and explosive.

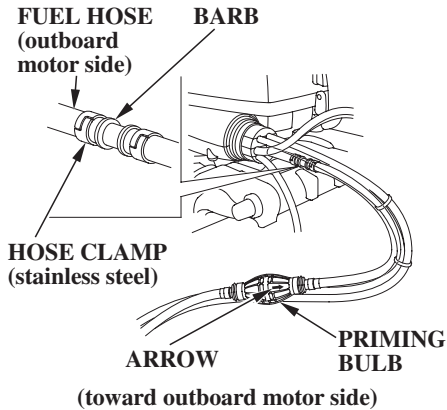
You can be burned or seriously injured when handling fuel.

- Stop the engine and keep heat, sparks, and flame away.
- Handle fuel only outdoors.
- Wipe up spills immediately.

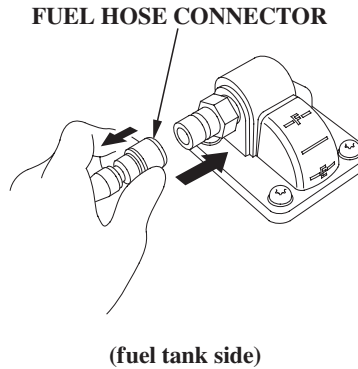
FUEL HOSE CONNECTIONS

Turn the portable fuel tank vent knob counterclockwise to the open position.



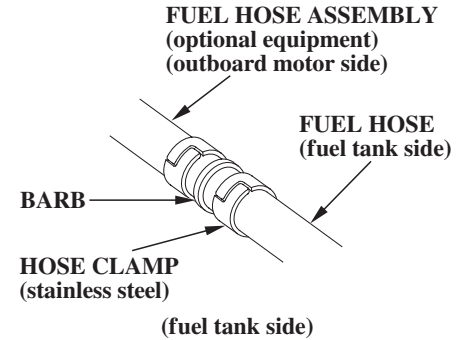


1. Remove the hose plug from the outboard motor side fuel hose. Insert the fuel hose joint into the outboard motor side fuel hose and secure it with the hose clamp. Make sure the arrow mark on the priming bulb points toward the outboard motor side.
 - Store the hose plug in a secure place.



2. Connect the fuel hose to the tank and the outboard motor, as shown. Be sure both connectors snap securely into place. Always disconnect the fuel hose when storing or transporting the outboard motor.

(Using the fuel tank mounted on the boat)

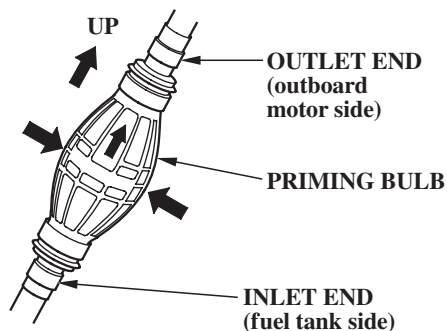


1. Remove the hose plug from the outboard motor side fuel hose. Insert the fuel hose joint into the outboard motor side fuel hose and secure it with the hose clamp (p. 53).
2. Insert another fuel hose joint up to the barb of the joint in the fuel tank side and secure it with the hose clamp (stainless steel type). Refer to the owner's manual for the boat.

OPERATION

FUEL PRIMING

If you are using a portable fuel tank, turn the portable fuel tank vent knob counterclockwise to the open position.



Hold the priming bulb up in the direction of the arrow; then squeeze the priming bulb several times until it feels firm, indicating that fuel has reached the engine.

Check to be sure there are no fuel leaks before starting the engine.

Do not touch the priming bulb with the engine running or when tilting up the outboard motor. The vapor separator could overflow.

⚠ WARNING

Gasoline is highly flammable and explosive.

You can be burned or seriously injured when handling fuel.

- Stop the engine and keep heat, sparks, and flame away.
- Handle fuel only outdoors.
- Wipe up spills immediately.

INFREQUENT OR OCCASIONAL USE

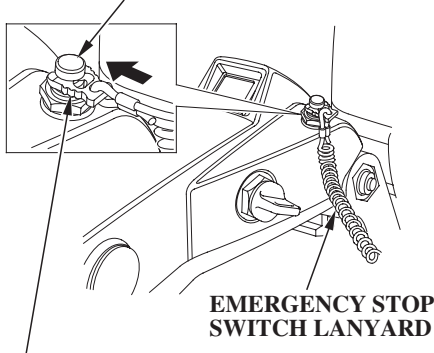
If your outboard motor will be used on an infrequent or intermittent basis, please refer to the fuel section of the STORAGE chapter (p. 111) for additional information regarding fuel deterioration.

STARTING THE ENGINE

Control	Page
Side-Mount Type	58
Panel-Mount Type	61
Top-Mount Type	63

LHT Type (tiller handle)

EMERGENCY STOP SWITCH



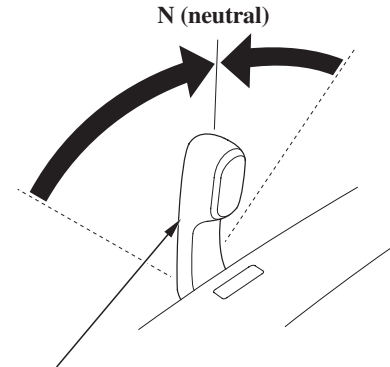
EMERGENCY STOP SWITCH CLIP

1. Put the emergency stop switch clip in the emergency stop switch, and attach the emergency stop switch lanyard securely to the operator or to the operator's PFD (Personal Flotation Device).

The engine will not start or run unless the emergency stop switch clip is in the emergency stop switch.

The emergency stop switch clip and emergency stop switch lanyard system is a safety device that will stop the engine if you fall away from the controls while operating the boat.

Always attach the emergency stop switch lanyard securely to the operator or to the operator's PFD before starting the engine.

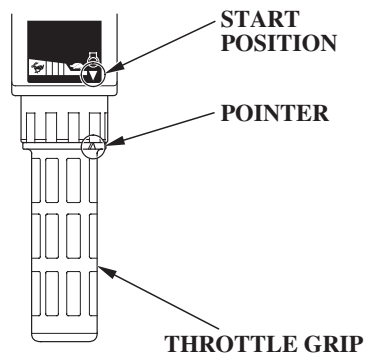




GEARSHIFT LEVER

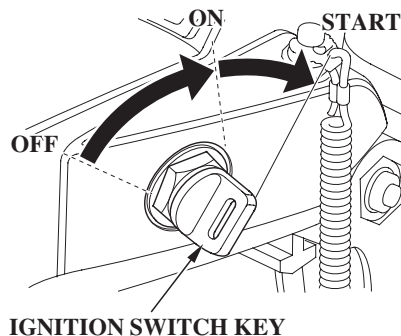
2. Check the position of the gearshift lever. It must be in the N (neutral) position for starting.

The engine will not start if the gearshift lever is in the F (forward) or R (reverse) position.

OPERATION



3. Align the engine start symbol “” on the tiller handle with the pointer “” on the throttle grip.



IGNITION SWITCH KEY

4. Turn the ignition switch key to the ON position; the buzzer will sound twice.
5. Turn the ignition switch key to the START position and hold it there until the engine starts.

When the engine starts, release the key, allowing it to return to the ON position.

If the engine fails to start within 5 seconds, release the key and wait at least 10 seconds before operating the starter again.

NOTICE

- *Using the electric starter for more than 5 seconds at a time will overheat the starter motor and can damage it.*
- *Turning the ignition switch key to the START position while the engine is running can damage the starter motor and flywheel.*

Also, as the engine warms up, the throttle grip can be turned to the SLOW position without stalling.

6. Before getting underway, allow the engine to warm-up sufficiently to ensure good performance.

Above 41°F (5°C), warm-up the engine for at least 3 minutes.

Below 41°F (5°C), warm-up the engine for at least 5 minutes at 2,000 rpm. Raise the fast idle lever to achieve approximately 2,000 rpm.

NOTICE

- *If the engine is not properly warmed up before raising the engine speed, the buzzer and overheat indicator may activate and the engine speed will be automatically reduced.*
- *The cooling system may freeze in areas where the temperature reaches 32°F (0°C) or below. Cruising at high speed without warming the engine up may cause engine damage.*

During the warm-up period, check the oil pressure indicator (p. 42), overheat indicator (p. 43), and cooling system indicator (p. 44).

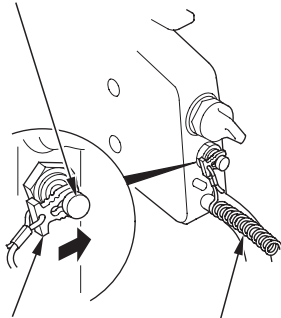
If the indicators show any abnormal condition, immediately stop the engine and determine the cause of the problem. Refer to **TAKING CARE OF UNEXPECTED PROBLEMS** on p. 123 — 126 .

OPERATION

LRT and XRT Types (remote control)

Side-Mount Type

EMERGENCY STOP SWITCH



EMERGENCY STOP SWITCH CLIP

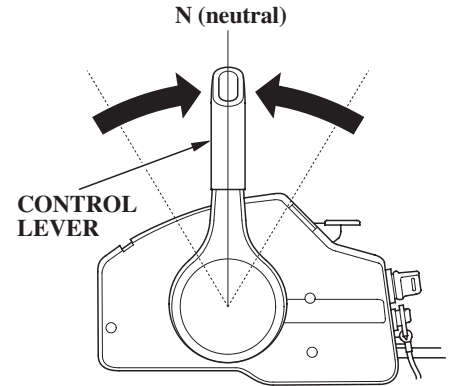
EMERGENCY STOP SWITCH LANYARD

1. Put the emergency stop switch clip in the emergency stop switch, and secure the lanyard to the operator or to the operator's PFD (Personal Flotation Device).

The engine will not start or run unless the emergency stop switch clip is in the emergency stop switch.

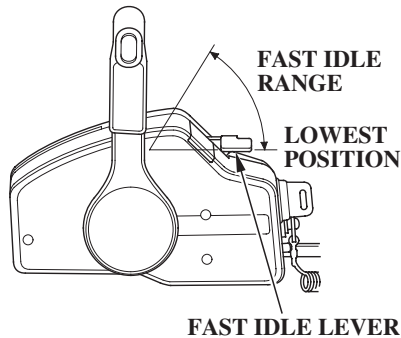
The emergency stop switch clip and emergency stop switch lanyard system is a safety device that will stop the engine if you fall away from the controls while operating the boat.

Always attach the emergency stop switch lanyard securely to the operator or to the operator's PFD before starting the engine.



2. Set the control lever in the N (neutral) position.

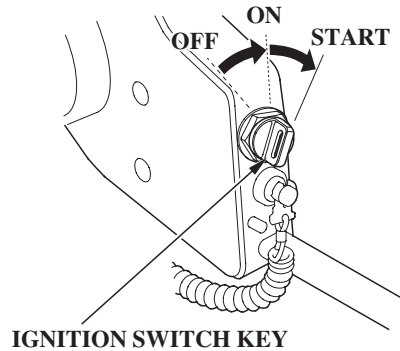
The engine will not start if the F (forward) or R (reverse) gears are engaged.



3. Leave the fast idle lever in the OFF (fully lowered) position.

The fast idle lever cannot be raised unless the control lever is in the N (neutral) position.

The control lever cannot be moved away from the N (neutral) position unless the fast idle lever is lowered.



4. Turn the ignition switch key to the ON position; the buzzer will sound twice.
5. Turn the ignition switch key to the START position and hold it there until the engine starts.

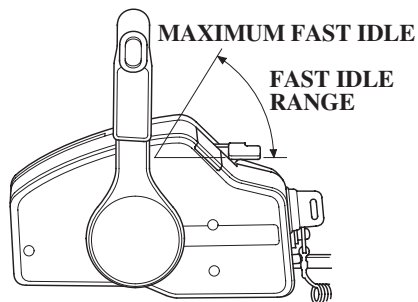
When the engine starts, release the key, allowing it to return to the ON position.

If the engine fails to start within 5 seconds, release the key and wait at least 10 seconds before operating the starter again.

NOTICE

- *Using the electric starter for more than 5 seconds at a time will overheat the starter motor and can damage it.*
- *Turning the ignition switch key to the START position while the engine is running can damage the starter motor and flywheel.*

OPERATION



6. Before getting underway, allow the engine to warm-up sufficiently to ensure good performance.

Above 41°F (5°C), warm-up the engine for at least 3 minutes.

Below 41°F (5°C), warm-up the engine for at least 5 minutes at 2,000 rpm. Raise the fast idle lever to achieve approximately 2,000 rpm.

NOTICE

- *If the engine is not properly warmed up before raising the engine speed, the buzzer and overheat indicator may activate and the engine speed will be automatically reduced.*
- *The cooling system may freeze in areas where the temperature reaches 32°F (0°C) or below. Cruising at high speed without warming the engine up may cause engine damage.*

During the warm-up period, check the oil pressure indicator (p. 42), overheat indicator (p. 43), and cooling system indicator (p. 44).

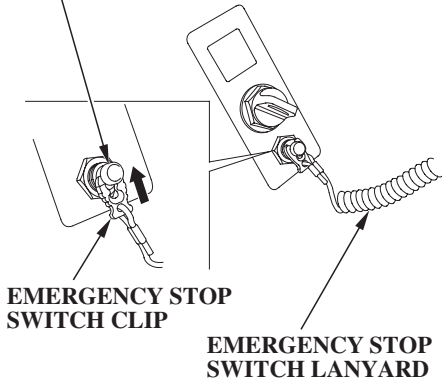
If the indicators show any abnormal condition, immediately stop the engine and determine the cause of the problem. Refer to **TAKING CARE OF UNEXPECTED PROBLEMS** on p. 123 — 126.

7. If the fast idle lever was used to warm-up the engine, gradually lower the lever as the engine warms up.

When the fast idle lever is fully lowered, the control lever can be moved away from the N (neutral) position.

Panel-Mount Type

EMERGENCY STOP SWITCH

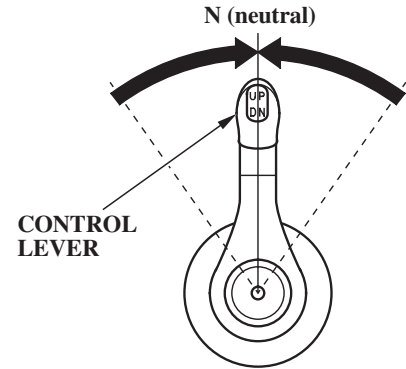


1. Put the emergency stop switch clip in the emergency stop switch, and attach the emergency stop switch lanyard securely to the operator or to the operator's PFD (Personal Flotation Device).

The engine will not start or run unless the emergency stop switch clip is in the emergency stop switch.

The emergency stop switch clip and emergency stop switch lanyard system is a safety device that will stop the engine if you fall away from the controls while operating the boat.

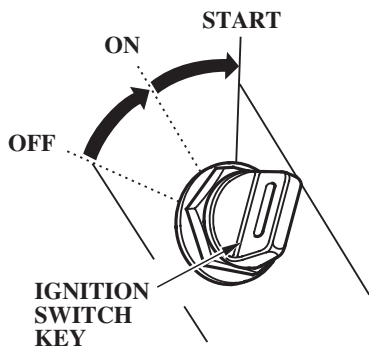
Always attach the emergency stop switch lanyard securely to the operator or to the operator's PFD before starting the engine.



2. Set the control lever in the N (neutral) position.

The engine will not start if the F (forward) or R (reverse) gears are engaged.

OPERATION



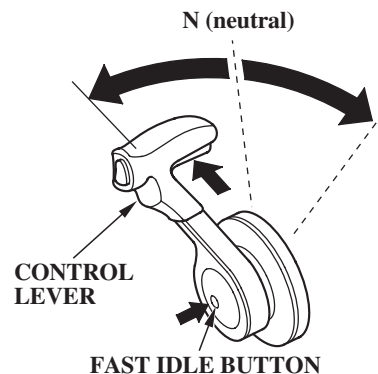
3. Turn the ignition switch key to the ON position; the buzzer will sound twice.
4. Turn the ignition switch key to the START position and hold it there until the engine starts.

When the engine starts, release the key, allowing it to return to the ON position.

If the engine fails to start within 5 seconds, release the key and wait at least 10 seconds before operating the starter again.

NOTICE

- *Using the electric starter for more than 5 seconds at a time will overheat the starter motor and can damage it.*
- *Turning the ignition switch key to the START position while the engine is running can damage the starter motor and flywheel.*



5. Before getting underway, allow the engine to warm-up sufficiently to ensure good performance.

Above 41°F (5°C), warm-up the engine for at least 3 minutes.

Below 41°F (5°C), warm-up the engine for at least 5 minutes at 2,000 rpm. Push the fast idle button, and then move the control lever forward or reverse to open the throttle and achieve approximately 2,000 rpm.

NOTICE

- *If the engine is not properly warmed up before raising the engine speed, the buzzer and overheat indicator may activate and the engine speed will be automatically reduced.*
- *The cooling system may freeze in areas where the temperature reaches 32°F (0°C) or below. Cruising at high speed without warming the engine up may cause engine damage.*

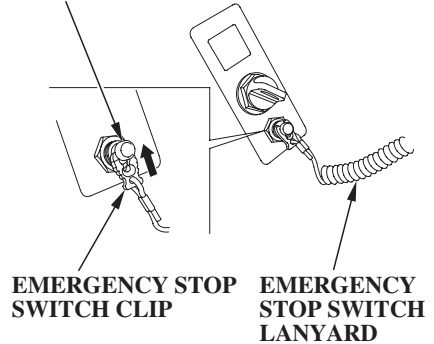
During the warm-up period, check the oil pressure indicator (p. 42), overheat indicator (p. 43), and cooling system indicator (p. 44).

If the indicators show any abnormal condition, immediately stop the engine and determine the cause of the problem. Refer to **TAKING CARE OF UNEXPECTED PROBLEMS** on p. 123 — 126 .

6. If the fast idle button was used to warm up the engine, gradually return the control lever to the N (neutral) position as the engine warms up.

Top-Mount Type

EMERGENCY STOP SWITCH



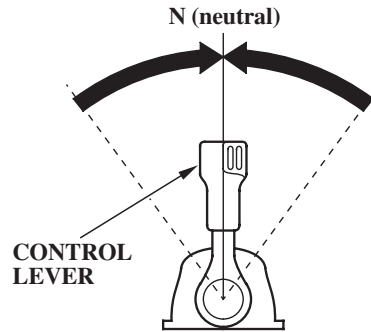
1. Put the emergency stop switch clip in the emergency stop switch, and attach the emergency stop switch lanyard securely to the operator or to the operator's PFD (Personal Flotation Device).

OPERATION

The engine will not start or run unless the emergency stop switch clip is in the emergency stop switch.

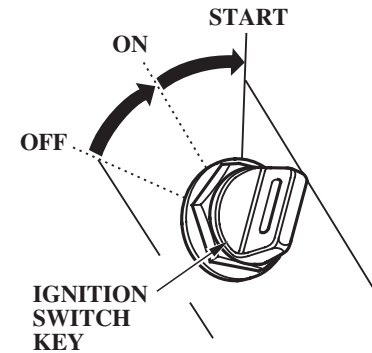
The emergency stop switch clip and emergency stop switch lanyard system is a safety device that will stop the engine if you fall away from the controls while operating the boat.

Always attach the emergency stop switch lanyard securely to the operator or to the operator's PFD before starting the engine.



2. Set the control lever in the N (neutral) position.

The engine will not start if the F (forward) or R (reverse) gears are engaged.



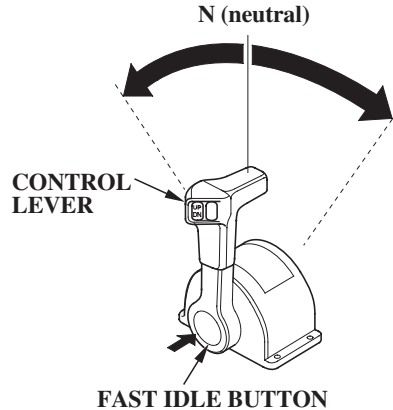
3. Turn the ignition switch key to the ON position; the buzzer will sound twice.
4. Turn the ignition switch key to the START position and hold it there until the engine starts.

When the engine starts, release the key, allowing it to return to the ON position.

If the engine fails to start within 5 seconds, release the key and wait at least 10 seconds before operating the starter again.

NOTICE

- *Using the electric starter for more than 5 seconds at a time will overheat the starter motor and can damage it.*
- *Turning the ignition switch key to the START position while the engine is running can damage the starter motor and flywheel.*



5. Before getting underway, allow the engine to warm-up sufficiently to ensure good performance.

Above 41°F (5°C), warm-up the engine for at least 3 minutes.

Below 41°F (5°C), warm-up the engine for at least 5 minutes at 2,000 rpm. Push the fast idle button, and then move the control lever forward or reverse to open the throttle and achieve approximately 2,000 rpm.

NOTICE

- *If the engine is not properly warmed up before raising the engine speed, the buzzer and overheat indicator may activate and the engine speed will be automatically reduced.*
- *The cooling system may freeze in areas where the temperature reaches 32°F (0°C) or below. Cruising at high speed without warming the engine up may cause engine damage.*

OPERATION

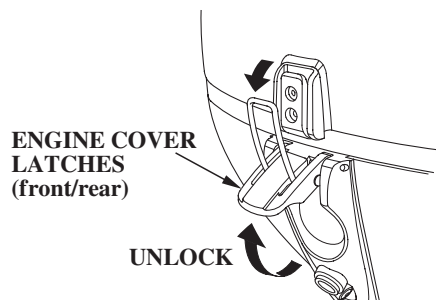
During the warm-up period, check the oil pressure indicator (p. 42), overheat indicator (p. 43), and cooling system indicator (p. 44).

If the indicators show any abnormal condition, immediately stop the engine and determine the cause of the problem. Refer to *TAKING CARE OF UNEXPECTED PROBLEMS* on p. 123 – 126.

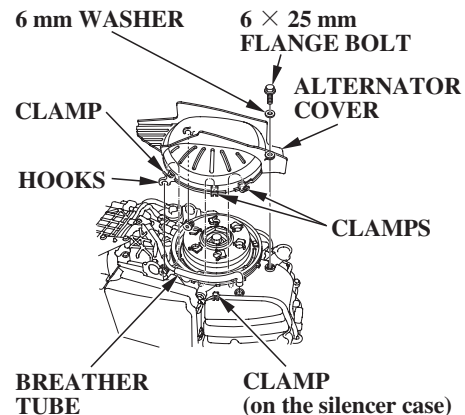
6. If the fast idle button was used to warm up the engine, gradually return the control lever to the N (neutral) position as the engine warms up.

EMERGENCY STARTING

If the battery is discharged or the starter motor is inoperative, you can start the engine manually using the emergency starter rope supplied with the outboard motor.



1. Turn the ignition switch key to the OFF position (p. 71).
2. Unlatch the engine cover latches and remove the engine cover.

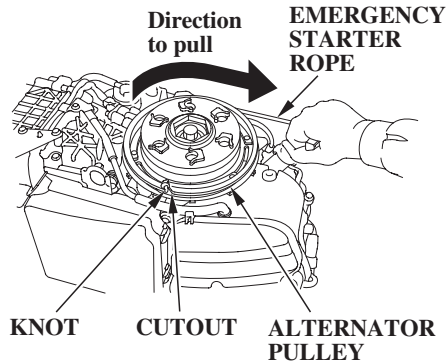


3. Release the breather tube from the four clamps.
4. Remove 6 × 25 mm flange bolt and 6 mm washer, and then remove the alternator cover.
5. Secure the breather tube to the clamp of the silencer case.

Take care not to lose the bolt and washer.

- Set the controls the same as for normal starting (see pages 55 — 56, 58 — 59, 61). Use the fast idle control if needed.

Turn the ignition switch key to the ON position.



- Set the alternator pulley so the cutouts are on the right and left sides of the alternator pulley as shown. Hook the knot at the end of the starter rope (accessory) against a cutout in the alternator pulley, and wind the starter rope one and a half turns clockwise along the groove in the alternator pulley.

- Pull the emergency starter rope slowly until resistance is felt, then pull briskly.

Keep away from moving parts while pulling the rope.

If necessary, rewind the rope and pull again. If the engine does not start after several attempts, refer to *TAKING CARE OF UNEXPECTED PROBLEMS* on p. 116 — 118.

⚠ WARNING

Exposed moving parts can cause injury.

- Do not operate the outboard motor without the engine cover.
- Use extreme care when installing the engine cover.

OPERATION

9. If the fast idle control(s) was used to start the engine, return the control(s) to the normal operating position as the engine warms up.

During the warm-up period, check the oil pressure indicator (p. 42), overheat indicator (p. 43), and cooling system indicator (p. 44).

10. Leave the alternator cover off, but install the engine cover (p. 87) and lock it in place by latching the engine cover latches.

11. If it was necessary to remove the emergency stop switch lanyard from you to perform the emergency starting procedure, be sure the lanyard is attached securely to operator before operating the outboard motor.

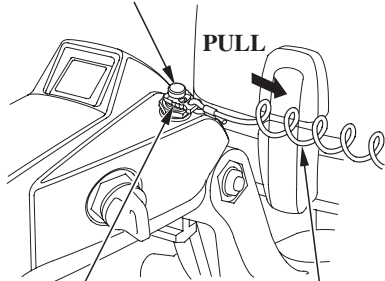
12. Have your closest authorized Honda Marine dealer check your electrical system and correct the problem so that you can use the electric starter.

STOPPING THE ENGINE

Emergency Engine Stopping

LHT Type (tiller handle)

EMERGENCY STOP SWITCH



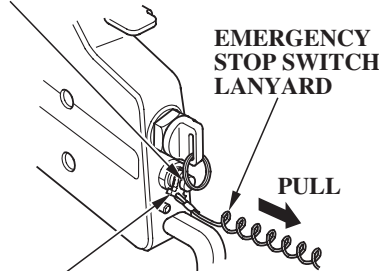
EMERGENCY STOP SWITCH CLIP

EMERGENCY STOP SWITCH LANYARD

LRT and XRT Types (remote control)

Side-Mount Type

EMERGENCY STOP SWITCH

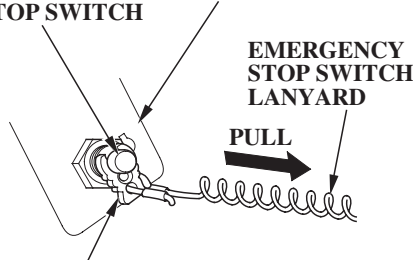


EMERGENCY STOP SWITCH CLIP

Panel-Mount/Top-Mount Types

EMERGENCY STOP SWITCH

CONTROL PANEL



EMERGENCY STOP SWITCH CLIP

To stop the engine in an emergency, pull the emergency stop switch clip out of the emergency stop switch by pulling the emergency stop switch lanyard.

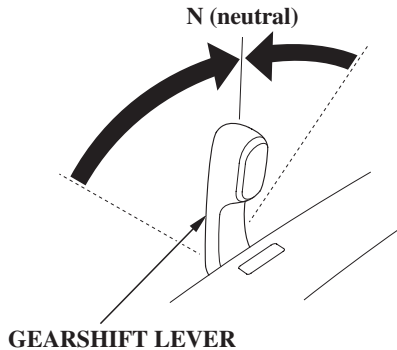
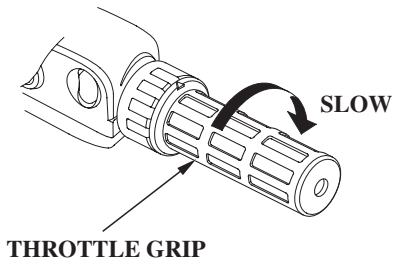
We suggest that you stop the engine this way occasionally to verify that the emergency stop switch is operating properly.

Turn the ignition switch key to the OFF position after verifying the emergency stop switch operation.

OPERATION

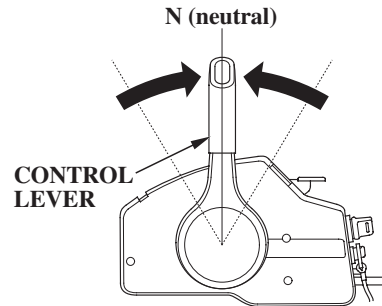
Normal Engine Stopping

LHT Type (tiller handle)

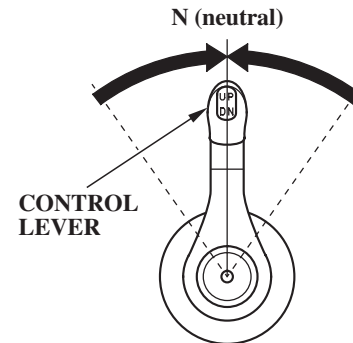


LRT and XRT Types (remote control)

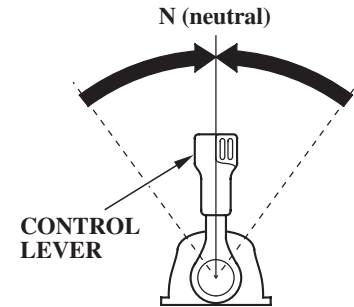
Side-Mount Type



Panel-Mount Type



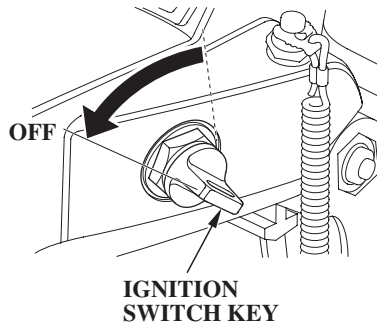
Top-Mount Type



1. Move the throttle grip to the slowest speed and the gearshift lever or control lever to the N (neutral) position.

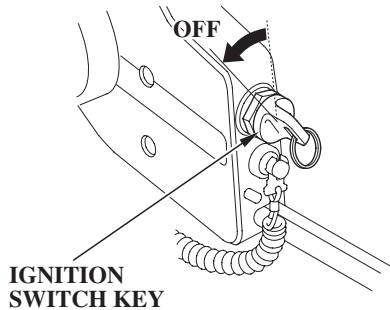
After cruising at full throttle, cool down the engine by idling for a few minutes before stopping the engine.

LHT Type (tiller handle)

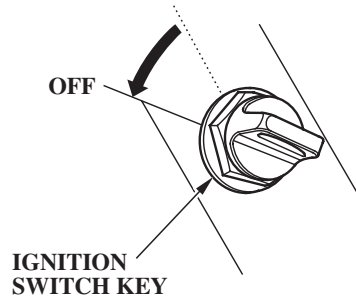


LRT and XRT Types (remote control)

Side-Mount Type



Panel-Mount/Top-Mount Types



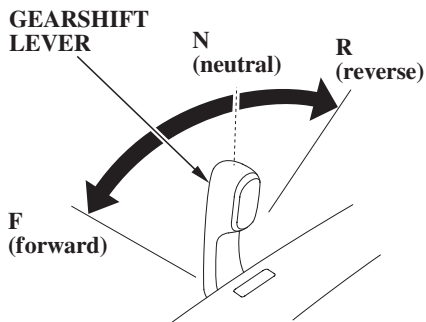
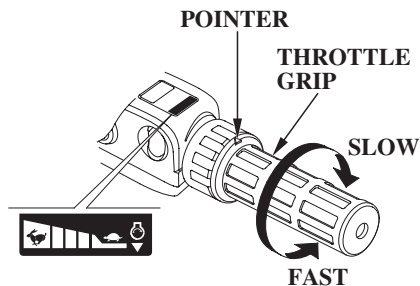
2. Turn the ignition switch key to the OFF position to stop the engine. In the event that the engine does not stop when the ignition switch key is turned to the OFF position, pull the emergency stop switch clip out of the emergency stop switch by pulling the emergency stop switch lanyard (p. 69).
3. When the boat is not in use, remove and store the ignition switch key and the emergency stop switch clip and lanyard. If you are using a portable fuel tank,

disconnect the fuel hose if you will be storing or transporting the outboard motor.

OPERATION

GEARSHIFT AND THROTTLE OPERATION

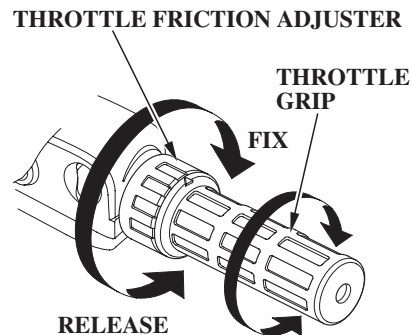
LHT Type (tiller handle)



To shift gears, turn the throttle grip to the SLOW position; then move the gearshift lever to select the F (forward), N (neutral), or R (reverse) gears.

The engine can be started with the gearshift lever in the N (neutral) position only.

The throttle grip can be turned to the FAST position only when the gearshift lever is in the F (forward) position.



Use the throttle friction adjuster to help hold a constant throttle setting while cruising.

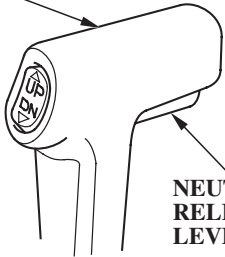
Turn the adjuster clockwise to increase throttle grip friction for holding a constant speed.

Turn the adjuster counterclockwise to decrease friction for easy grip rotation.

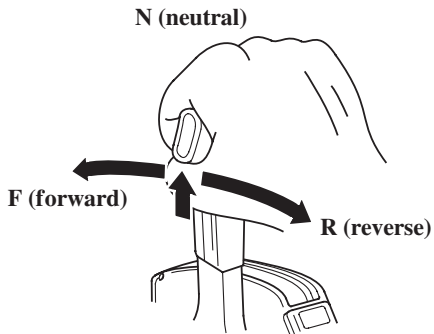
LRT and XRT Types (remote control)

Side-Mount Type

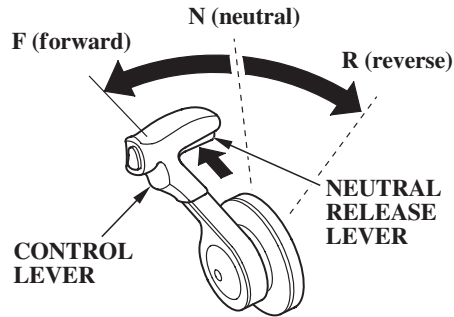
CONTROL LEVER



NEUTRAL
RELEASE
LEVER



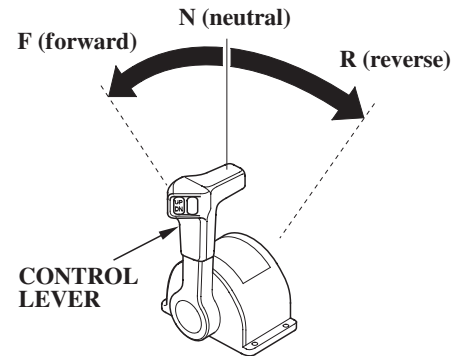
Panel-Mount Type



CONTROL
LEVER

NEUTRAL
RELEASE
LEVER

Top-Mount Type



CONTROL
LEVER

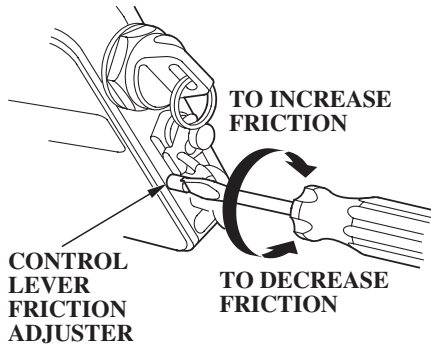
To shift gears, move the control lever to select the F (forward), N (neutral), or R (reverse) gear.

The control lever cannot be moved from the N (neutral) position unless the neutral release lever is squeezed (side-mount/panel-mount types).

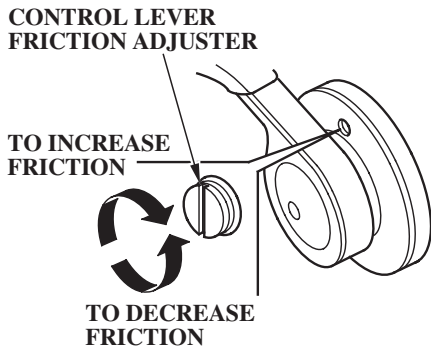
Moving the control lever beyond the gear selection range increases engine speed.

OPERATION

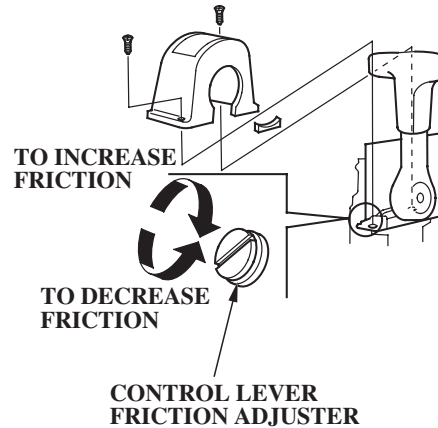
Side-Mount Type



Panel-Mount Type



Top-Mount Type



Adjust the control lever friction adjuster so the control lever will hold a constant throttle setting while cruising.

STEERING

LHT Type (tiller handle)

RIGHT TURN



Move the tiller handle to the left.

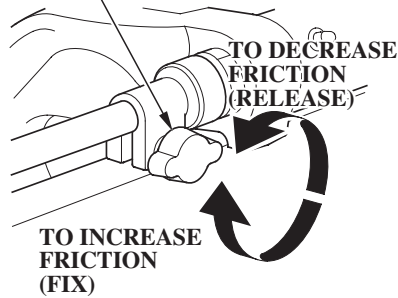
LEFT TURN



Move the tiller handle to the right.

Steer by moving the tiller handle opposite the direction you want the boat to turn.

STEERING FRICTION KNOB



Use the steering friction knob to help hold a steady course while cruising.

Turn the knob clockwise to increase steering friction for holding a steady course.

Turn the knob counterclockwise to decrease friction for easy turning.

LRT and XRT Types (remote control)

Steer the boat in the same manner as an automobile.

OPERATION

CRUISING

Engine Speed

For best fuel economy, limit the throttle opening to 80%. Use the throttle friction control (p. 72 – 74) to help you hold a steady speed.

For rough water conditions or large waves, slow down to prevent the propeller from rising out of the water.

The engine is equipped with an overrev limiter to prevent the possibility of mechanical damage from excessive engine speed.

If, for example, the outboard motor is tilted excessively or propeller ventilation occurs during a sharp turn, the engine may overrev, activating the overrev limiter.

If engine speed becomes unstable at high speed due to activation of the overrev limiter, reduce speed and check the trim angle of the outboard motor.

Trim

Use the power trim/tilt switch to trim the outboard motor for the best performance and stability.

You can use the power trim/tilt switch at any time, whether the boat is underway or stopped.

Press the UP or DN (down) side of the switch to adjust the angle of the outboard motor.

Refer to the trim meter (p. 39) for an indication of whether the outboard motor is trimmed high or low.

It is necessary to trim the angle of the outboard motor to compensate for changes in boat load, weight distribution, water conditions, or propeller selection.

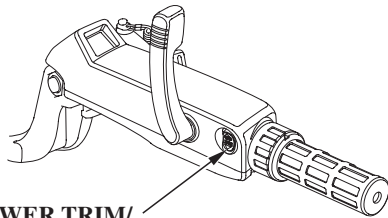
Under normal conditions, the boat will perform best when the antiventilation plate is level with the water surface.

When cruising into a high wind, trim the outboard motor down slightly to level the boat and improve stability. With a tail wind, trim the outboard motor up slightly.

NOTICE

Excessive trim/tilt angle during operation can cause propeller ventilation, overheating, and water pump damage.

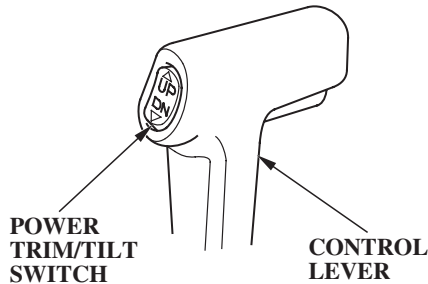
LHT Type (tiller handle)



POWER TRIM/
TILT SWITCH

LRT and XRT Types (remote control)

Side-Mount Type

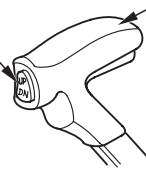


POWER
TRIM/TILT
SWITCH

CONTROL
LEVER

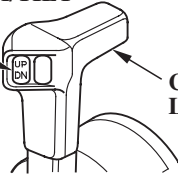
Panel-Mount Type

POWER TRIM/TILT SWITCH
CONTROL LEVER



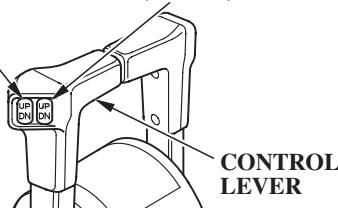
Top-Mount Type (single type)

POWER TRIM/TILT
SWITCH CONTROL LEVER



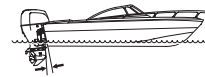
(dual type)

POWER TRIM/TILT SWITCH
(LEFT) (RIGHT)



CONTROL
LEVER

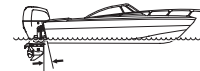
OUTBOARD
MOTOR
TRIMMED TOO
LOW



OUTBOARD
MOTOR
TRIMMED TOO
HIGH

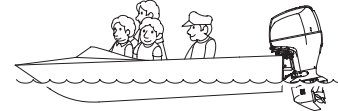


OUTBOARD MOTOR
TRIMMED CORRECTLY



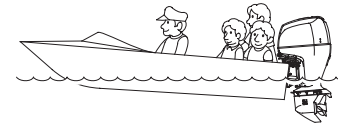
BOW TOO LOW DUE TO

1. LOAD IN THE FRONT
2. OUTBOARD MOTOR TRIMMED TOO LOW



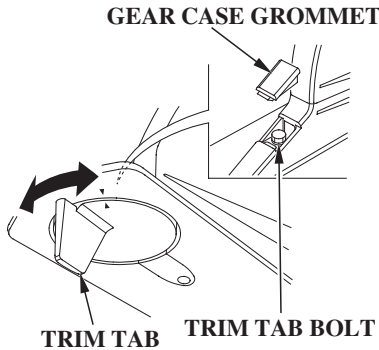
BOW TOO HIGH DUE TO

1. LOAD IN THE REAR
2. OUTBOARD MOTOR TRIMMED TOO HIGH



OPERATION

If steering effort is not equal in both directions, adjust the trim tab to compensate for “torque steer,” which is the reaction of the outboard motor to propeller rotation.



Adjust the trim tab with the engine stopped. Remove the gear case grommet. Loosen the trim tab bolt above the trim tab, turn the trim tab, and then tighten the bolt and install the gear case grommet securely.

When the trim tab is correctly adjusted, steering effort will be equal in both directions.

Refer to *TRIM TAB ADJUSTMENT* on p. 86.

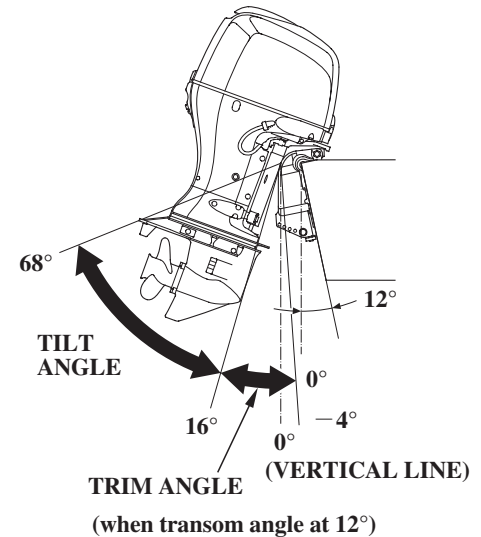
SHALLOW WATER OPERATION

When operating in shallow water, use the power trim/tilt switch (p. 77) to tilt the outboard motor so that the propeller and gear case won't hit the bottom.

Proceed at low speed, and monitor water flow from the cooling system indicator (p. 44) to be sure the outboard motor is not tilted so high that the water intakes are out of the water.

NOTICE

An excessive trim/tilt angle during operation can cause propeller ventilation, overheating, and water pump damage. This type of damage is not covered by the Distributor's Limited Warranty (p. 141).



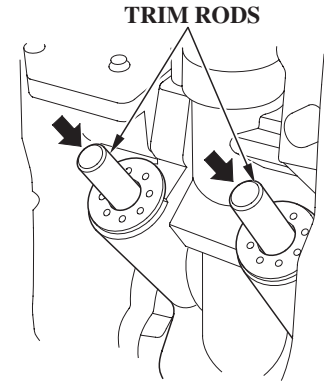
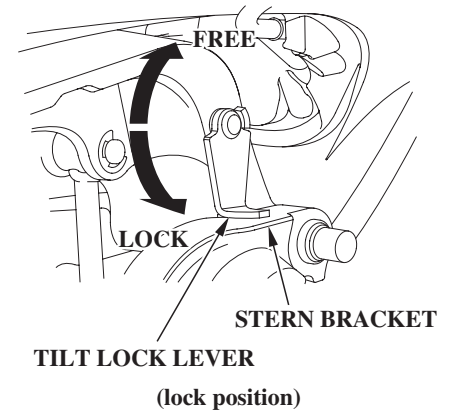
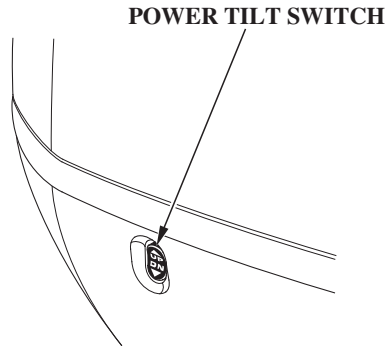
MOORING, BEACHING, LAUNCHING

Before tilting up, leave the outboard motor in the running position for one minute after stopping the engine to drain the water from inside the engine.

Stop the engine and disconnect the fuel hose from the outboard motor before tilting the outboard motor.

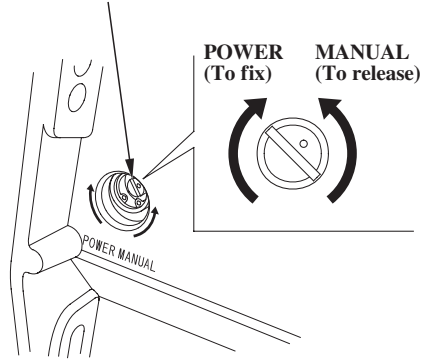
To raise the outboard motor out of the water while the engine is stopped and the boat is moored, or for maximum clearance when beaching or launching, use the power tilt switch on the engine pan to tilt the outboard motor up as far as it will go. Move the tilt lock lever to the LOCK position, and then gently lower the outboard motor until the lever contacts the stern bracket. Use the power tilt switch to fully shorten the trim rods.

To lower the outboard motor, tilt up using the power tilt switch, then move the tilt lock lever to the FREE position, and then lower the outboard motor to the desired position.



OPERATION

MANUAL RELIEF VALVE



The outboard motor can also be tilted manually after opening the manual relief valve. This feature enables the outboard motor to be tilted up or down when no battery is connected.

For manual tilting, use a screwdriver to turn the valve counterclockwise 1 or 2 turns. Close the valve firmly after positioning the engine.

Be sure the valve is closed before operating the outboard motor. If the valve is not closed, the outboard

motor will tilt up when operated in reverse.

Check that nobody is under the outboard motor before opening the manual relief valve. If the manual relief valve is loosened (turned counterclockwise) when the outboard motor is tilted up, the outboard motor will suddenly tilt down.

SERVICING YOUR OUTBOARD MOTOR

THE IMPORTANCE OF MAINTENANCE

Proper maintenance is essential for safe, economical, and trouble-free operation. It will also help reduce air pollution.

WARNING

Improperly maintaining this outboard motor or failure to correct a problem before operation can cause a malfunction in which you could be seriously hurt or killed.

Always follow the inspection and maintenance recommendations and schedules in this Owner's Manual.

To help you properly care for your outboard motor, the following pages include a maintenance schedule, routine inspection procedures, and simple maintenance procedures using basic hand tools. Other service tasks that are more difficult or require special tools are best handled by professionals and are normally performed by a Honda technician or other qualified mechanic.

The maintenance schedule applies to normal operating conditions. If you operate your outboard motor under unusual conditions, consult an authorized Honda Marine dealer for recommendations applicable to your individual needs and use.

Remember that your authorized Honda Marine dealer knows your outboard motor best and is fully equipped to maintain and repair it.

To ensure the best quality and reliability, use only new, Honda Genuine parts or their equivalents for repair and replacement.

Maintenance, replacement, or repair of the emission control devices and systems may be performed by any marine engine repair establishment or individual, using parts that are “certified” to EPA standards.

SERVICING YOUR OUTBOARD MOTOR

MAINTENANCE SAFETY

Some of the most important safety precautions follow. However, we cannot warn you of every conceivable hazard that can arise in performing maintenance. Only you can decide whether or not you should perform a given task.

WARNING

Failure to properly follow maintenance instructions and precautions can cause you to be seriously hurt or killed.

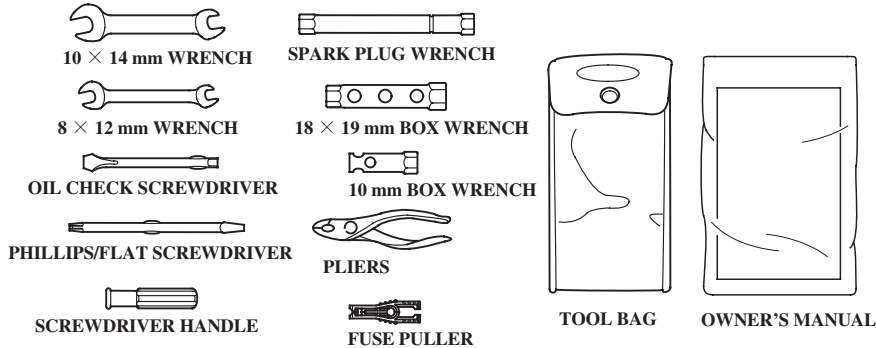
Always follow the procedures and precautions in the Owner's Manual.

Safety Precautions

- Make sure the engine is off before you begin any maintenance or repairs. This will eliminate several potential hazards:
 - **Carbon monoxide poisoning from engine exhaust.**
Do not start or run the engine in a confined or partly enclosed area.
 - **Burns from hot parts.**
Let the engine and exhaust system cool before touching.
 - **Injury from moving parts.**
Do not run the engine unless instructed to do so.
- Read the instructions before you begin, and make sure you have the tools and skills required.
- To reduce the possibility of fire or explosion, be careful when working around gasoline. Use only a nonflammable solvent, not gasoline, to clean parts. Keep cigarettes, sparks, and flames away from all fuel-related parts.
- Wear gloves when handling the propeller to protect your hands from sharp edges.

SERVICING YOUR OUTBOARD MOTOR

TOOL KIT and OWNER'S MANUAL

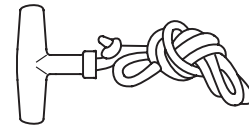


The tool kit can be used for simple maintenance procedures and emergency repairs. Keep these items on the boat so that they will always be available if you need them.

Always carry a spare emergency stop switch clip onboard. The spare clip may either be stored in the tool bag or in an easily accessible location on the boat.

If your tool kit needs replacement, it is not available as a kit and each item must be ordered individually.

EMERGENCY STARTER ROPE



EMERGENCY STARTER ROPE

An emergency starter rope is supplied. Keep the emergency starter rope on the boat, so it will always be available if you need it.

SERVICING YOUR OUTBOARD MOTOR

MAINTENANCE SCHEDULE

Follow the MAINTENANCE SCHEDULE table and service your outboard motor accordingly. Please note, a claim for warranty coverage will not be denied simply because the maintenance schedule for your outboard motor was not followed. However, any part(s) that fails specifically due to lack of maintenance, or improperly performed maintenance, would not be covered under the *Distributor's Limited Warranty*.

REGULAR SERVICE PERIOD (3) Perform at every indicated month or operating hour interval, whichever comes first.		Each use	After use	First month or 20 hrs.	Every 6 months or 100 hrs.	Every year or 200 hrs.	Every 2 years or 400 hrs.	Refer to page
ITEM								
Engine oil	Check level	○						88
	Change			○	○			89
Gear case oil	Change			○ (2)	○ (2)			—
Engine oil filter	Replace					○ (2)		90
Throttle linkage	Check-adjust			○ (2)	○ (2)			—
Idle speed	Check-adjust			○ (2)	○ (2)			—
Valve clearance	Check-adjust					○ (2)		—
Spark plugs	Check					○		92—94
	Replace						○	
Propeller and cotter pin	Check	○						108
Anode metal (Outside engine)	Check	○						107
Anode metal (Inside engine)	Check						○ (2) (6)	—
Lubrication	Grease			○ (1)	○ (1)			95, 96
Water separator	Check	○						100—103

- (1) Lubricate more frequently when used in salt water.
- (2) These items should be serviced by your servicing dealer, unless you have the proper tools and are mechanically proficient. Refer to the Honda shop manual for service procedures.
- (3) For professional commercial use, log hours of operation to determine proper maintenance intervals.
- (6) Replace the anodes when they have been reduced to about one third their original size, or if they are crumbling.

SERVICING YOUR OUTBOARD MOTOR

REGULAR SERVICE PERIOD (3) Perform at every indicated month or operating hour interval, whichever comes first.		Each use	After use	First month or 20 hrs.	Every 6 months or 100 hrs.	Every year or 200 hrs.	Every 2 years or 400 hrs.	Refer to page
ITEM								
Fuel filter (Low pressure side)	Check Replace				○		○	103 – 105
Fuel filter (High pressure side)	Check Replace				○ (2)		○ (2)	—
Fuel tank and tank filter	Clean					○		106
Fuel line	Check Replace	○ (7)						—
			Every 2 years (If necessary) (2) (8)					—
Thermostat	Check					○ (2)		—
Battery and cable connection	Check level-tightness	○						—
Bolts and nuts	Check tightness			○ (2)	○ (2)			—
Breather tube	Check					○ (2)		—
Cooling water passages	Clean		○ (4)					—
Water pump	Check					○ (2)		—
Emergency stop switch	Check	○						49
Engine oil leak	Check	○						—
Each operation part	Check	○						—
Engine condition (5)	Check	○						—
Power trim/tilt	Check				○ (2)			—
Shift Cable	Check-adjust				○ (2)			—

(1) Lubricate more frequently when used in salt water.

(2) These items should be serviced by your servicing dealer, unless you have the proper tools and are mechanically proficient. Refer to the Honda shop manual for service procedures.

(3) For professional commercial use, log hours of operation to determine proper maintenance intervals.

(4) When operating in salt water, turbid or muddy water, the engine should be flushed with clean water after each use.

(5) Upon starting, check for unusual engine sounds and cooling water flowing freely from the check hole.

(7) Check the fuel line for leaks, cracks or damage. If it is leaking, cracked or damaged, take it to your servicing dealer for replacement before using your outboard.

(8) Check the fuel line for leaks, cracks, or damage. Replace the fuel line if there are signs of leaks, cracks or damage.

SERVICING YOUR OUTBOARD MOTOR

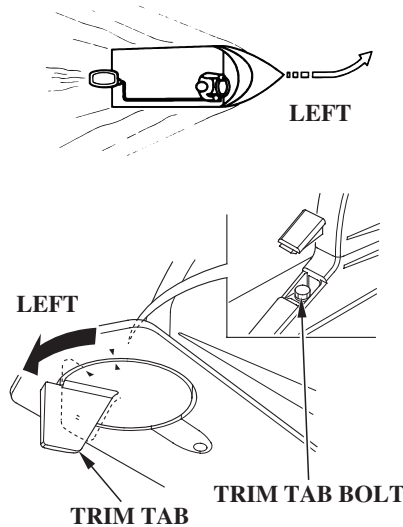
TRIM TAB ADJUSTMENT

The trim tab compensates for “torque steer,” which is a reaction of the outboard motor to propeller rotation.

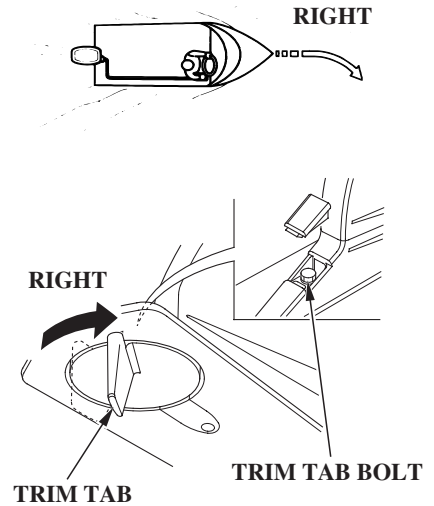
If uncompensated, torque steer would make the outboard motor tend to turn to one side.

When the trim tab is correctly adjusted, steering effort is equal in either direction.

If steering effort is unequal, remove the gear case grommet and loosen the trim tab bolt then adjust the angle of the trim tab. Retighten the trim tab bolt and reinstall the gear case grommet securely.



If less effort is required to make left turns, move the back of the trim tab left.

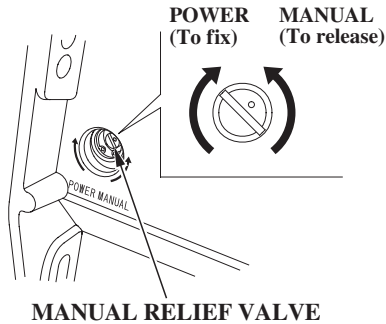


If less effort is required to make right turns, move the back of the trim tab right.

Adjust the trim tab in small increments, and retest steering effort with the boat evenly loaded and running at cruising speed.

SERVICING YOUR OUTBOARD MOTOR

MANUAL RELIEF VALVE



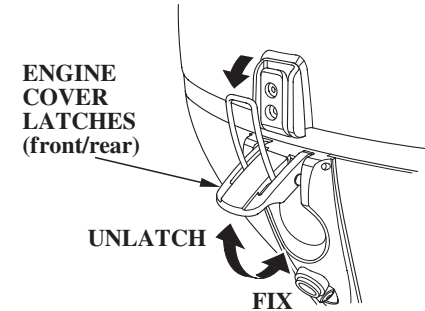
The outboard motor can be tilted manually after opening the manual relief valve. This feature enables the outboard motor to be tilted up or down when no battery is connected.

For manual tilting, use a screwdriver to turn the valve counterclockwise 1 or 2 turns. Close the valve firmly after positioning the outboard motor.

Check that nobody is under the outboard motor before opening the manual relief valve. If the manual relief valve is loosened (turned counterclockwise) when the outboard motor is tilted up, the outboard motor will suddenly tilt down.

Be sure the valve is closed before operating the outboard motor. If the valve is not closed, the outboard motor will tilt up when operated in reverse.

ENGINE COVER REMOVAL AND INSTALLATION



The engine cover latches fasten the engine cover to the outboard motor.

To remove the engine cover, unlatch both front and rear latches, then lift the engine cover off the outboard motor.

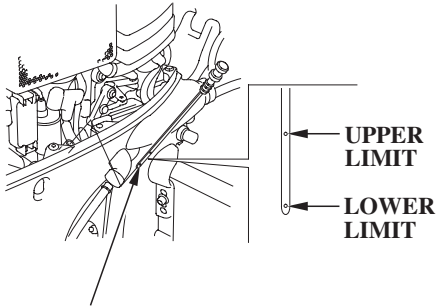
To install the engine cover, place the cover on the outboard motor, then latch both front and rear latches securely.

SERVICING YOUR OUTBOARD MOTOR

Engine Oil Level Check

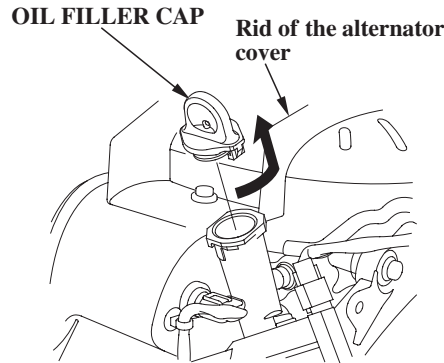
Check the engine oil level with the engine stopped and the outboard motor in the vertical position.

1. Unlock and remove the engine cover (p. 87).
2. Remove the dipstick and wipe it clean.



OIL LEVEL DIPSTICK

3. Insert the dipstick all the way in, then remove it and check the oil level shown on the dipstick.



4. If the oil level is low, remove the oil filler cap, and add oil to reach the upper limit mark shown on the dipstick. Use the oil recommended on p. 91.

Oil filler cap removal (Unlock):

- 1) Turn the oil filler cap 90° counterclockwise so the lug of the cap sets horizontally.
- 2) Pull the cap to remove it.

NOTICE

Running the engine with a low oil level can cause engine damage.

5. Install the oil filler cap and tighten it securely. Do not overtighten.

Oil filler cap installation (Lock):

- 1) Insert the oil filler cap into the oil filler port with the lug being set horizontally.
- 2) Turn the oil filler cap 90° clockwise so the lug of the cap is in line with the rib of the alternator cover. (It should click.)

6. Install and lock the engine cover.

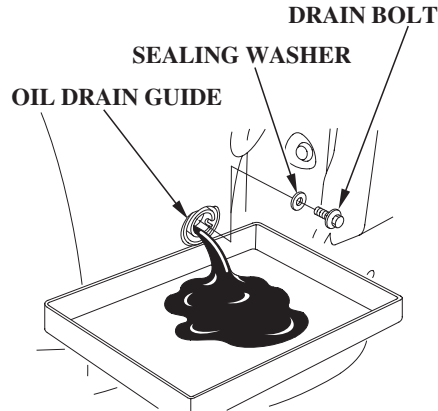
SERVICING YOUR OUTBOARD MOTOR

Engine Oil Change

An engine oil evacuation device may be used to remove the engine oil.

Drain the used oil while the engine is warm. Warm oil drains quickly and completely.

1. Unlock and remove the engine cover (p. 87).



2. Place a suitable container below the oil drain guide to catch the used oil, and then remove the oil filler cap (p. 88) and the drain bolt.
3. Allow the used oil to drain completely. Use a new sealing washer, and then reinstall the engine oil drain bolt and washer. Tighten the drain bolt securely.

NOTICE

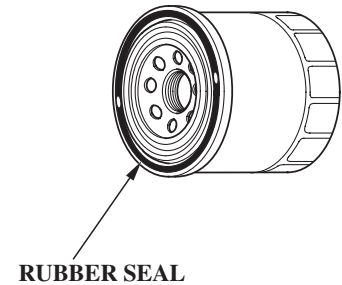
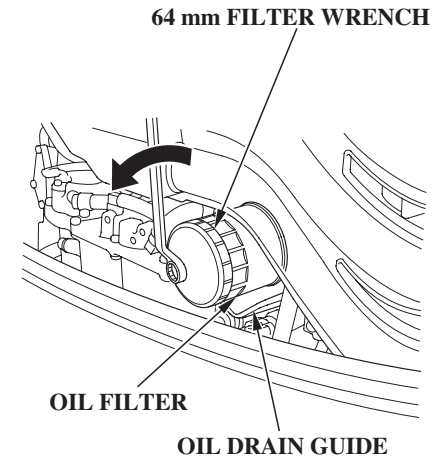
Improper disposal of engine oil can be harmful to the environment. If you change your own oil, please dispose of the used oil properly. Put it in a sealed container, and take it to a recycling center. Do not throw it in the trash, pour it on the ground or down a drain.

SERVICING YOUR OUTBOARD MOTOR

4. With the outboard motor in a vertical position, fill to the upper limit mark on the oil level dipstick (p. 88) with the recommended oil. Engine oil refill capacity:
Without oil filter change:
4.4 US qt (4.2 L)
With oil filter change:
4.6 US qt (4.4 L)
5. Install the oil filler cap and tighten it securely (p. 88).
6. Install and lock the engine cover.

Oil Filter Change

1. Drain the engine oil, and reinstall the drain bolt (see Engine Oil Change on p. 89).
2. Tilt the outboard motor, and place a suitable container below the oil drain guide to catch the used oil.
3. Use a suitable tool to remove the oil filter, and thoroughly drain the filter into the used oil container.



SERVICING YOUR OUTBOARD MOTOR

4. Clean the oil filter mounting base, and coat the rubber seal of the new oil filter with clean engine oil.

NOTICE

Use only a Honda Genuine oil filter or a filter of equivalent quality specified for your model. Using the wrong filter, or a non-Honda filter which is not of equivalent quality, may cause engine damage.

5. Screw on the new filter by hand until it contacts the engine, then use a suitable tool to tighten the filter an additional 7/8 turn.

OIL FILTER TIGHTENING TORQUE:

9 lbf·ft (12 N·m , 1.2 kgf·m)

6. Return the outboard motor to the vertical position, and fill the crankcase with the specified amount of the recommended oil.

7. Start the engine and check for leaks (be sure the water level is at least 2 inches (5 cm) above the antiventilation plate).

If you are changing the oil filter while the outboard motor is out of the water, use commercially available ear muffs and water hose to supply water.

NOTICE

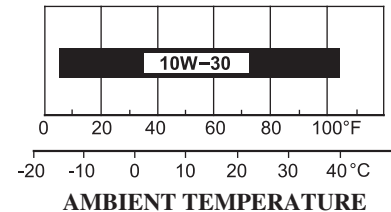
Running the outboard motor without sufficient cooling water will damage the water pump and overheat the engine.

8. Stop the engine, and check the oil level as described on page 88 . If necessary, add oil to bring the oil level to the upper limit mark on the dipstick.

Engine Oil Recommendations

Oil is a major factor affecting performance and service life. Use 4-stroke detergent oil.

SAE Viscosity Grade



Honda 10W-30 FC-W[®] outboard motor oil is recommended for general use.

FC-W[®] is a registered trademark of the National Marine Manufacturers Association.

If Honda 10W-30 FC-W oil is not available, Honda recommends that you use API service category SG, SH or SJ oil. The SAE oil viscosity and service category are in the API label on the oil container.

SERVICING YOUR OUTBOARD MOTOR

Spark Plug Service

RECOMMENDED SPARK PLUGS:
IZFR6K-11E (NGK)

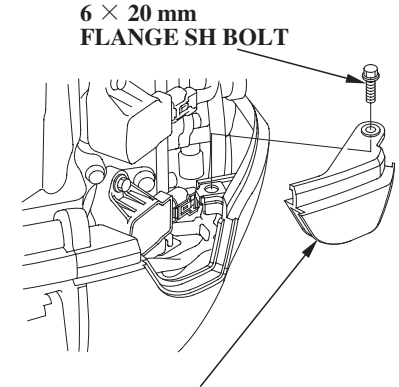
NOTICE

Incorrect spark plugs can cause engine damage.

This outboard motor uses spark plugs that have an iridium coated center electrode. Be sure to observe the following when servicing the spark plugs.

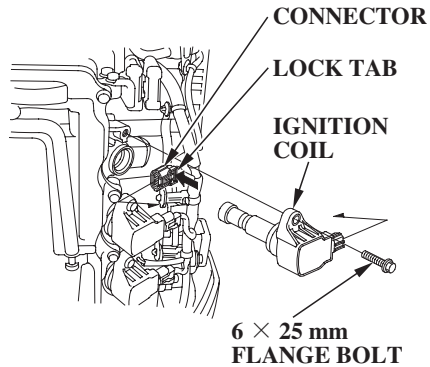
- Do not clean the spark plugs. If an electrode is contaminated with accumulated objects or dirt, replace the spark plug with a new one.
- Use only a “wire-type feeler gauge” to check the spark plug gap if necessary. To prevent damaging the iridium coating of the center electrode, never use a “leaf-type feeler gauge.”

- Do not adjust the spark plug gap. If the gap is out of specification, replace the spark plug with a new one.
1. Disconnect the battery negative (–) terminal.
 2. Unlock and remove the engine cover (p. 87).

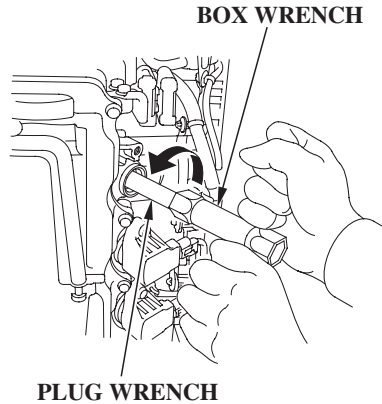


3. Remove the 6 × 20 mm flange SH bolt and remove the plug maintenance cover.

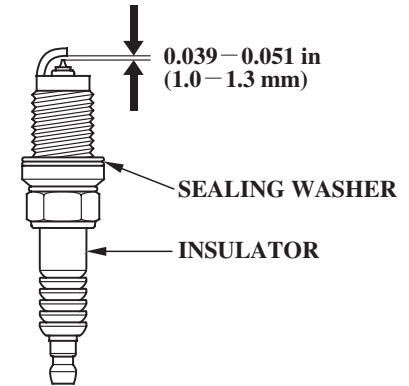
SERVICING YOUR OUTBOARD MOTOR



4. Remove the 6 × 25 mm flange bolt.
Disconnect the connector by pushing the lock tab and remove the ignition coil.



5. Remove the spark plug using the plug wrench, box wrench and the Phillips®/flat-tip screwdrivers (accessories).



6. Inspect the spark plugs. Replace them if the electrodes are worn, or if the insulators are cracked or chipped.
7. Measure the spark plug electrode gap with a wire-type feeler gauge. The gap should be 0.039 – 0.051 inches (1.0 – 1.3 mm). If the gap is out of the specification, replace the plug with a new one. Never try to readjust the gap.

SERVICING YOUR OUTBOARD MOTOR

8. Install the spark plugs carefully, by hand, to avoid cross-threading.
9. After each spark plug seats, tighten with the spark plug wrench supplied in the tool kit to compress the sealing washer.

If reinstalling used spark plugs, tighten $1/8 - 1/4$ turn after the spark plugs seat.

If installing new spark plugs, tighten $1/2$ turn after the spark plugs seat.

NOTICE

*Loose spark plugs can overheat and damage the engine.
Overtightening the spark plugs can damage the threads in the cylinder head.*

10. Install the ignition coil. Reinstall the 6×25 mm flange bolt.
11. Push the wire connector onto the ignition coil. Make sure it locks in place.
12. Repeat this procedure for the other three spark plugs.
13. Reinstall the covers.

SERVICING YOUR OUTBOARD MOTOR

Lubrication Points

Apply Honda Marine waterproof grease to the parts shown below:

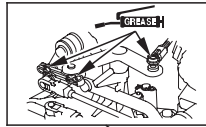
Lubrication interval:

After the first 20 hours or 1 month, then every 100 hours or 6 months (refer to the maintenance schedule on page 84).

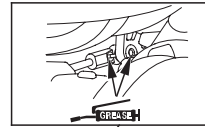
NOTICE

Apply anticorrosion oil to pivot surfaces where grease cannot penetrate.

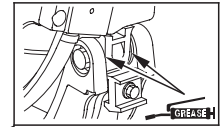
**THROTTLE ARM/
LINK/PIVOT/PLATE**



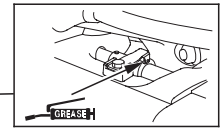
THROTTLE ROD/LINK



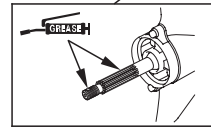
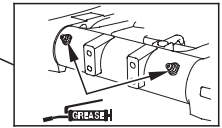
**TILLER HANDLE
(LHT type)**



TILT BRACKET



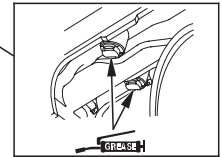
TILT SHAFT



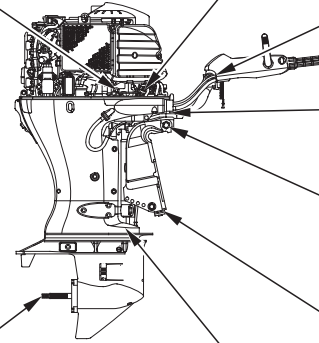
PROPELLER SHAFT



SWIVEL CASE



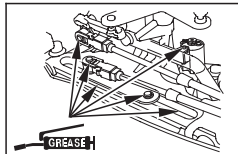
THRUST RECEIVER



Apply Honda Marine Corrosion Inhibitor (or equivalent) to all areas under the engine cover and any exposed metal surfaces except the belts.

SERVICING YOUR OUTBOARD MOTOR

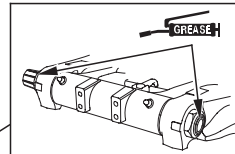
**SHIFT LINK BRACKET/
SHIFT PIVOT/SHIFT ARM/
LINK PIN/PIVOT PLATE/
SLIDE PIVOT/
CLICK SPRING ROLLER**



**TILT LOCK LEVER
(each side)**



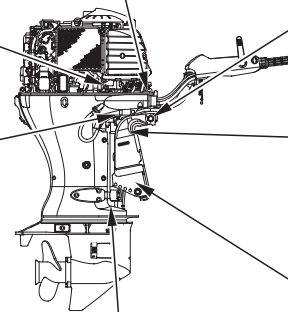
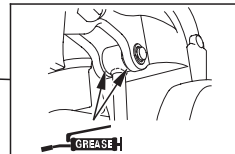
TILT SHAFT THREAD



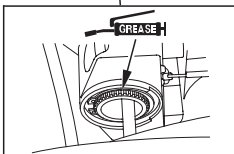
MOUNT FRAME



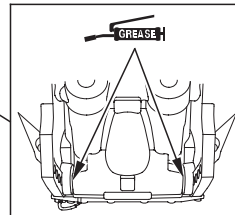
**UPPER CYLINDER
PIN/BUSHING**



SWIVEL SHAFT



**LOWER CYLINDER
BUSHING/COLLAR**



SERVICING YOUR OUTBOARD MOTOR

REFUELING

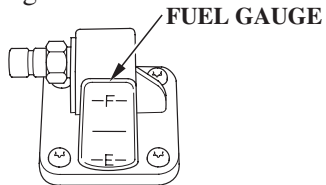
If you do not anticipate cycling through at least one complete tank of fuel within a 30 day period, we recommend adding Honda Marine Fuel Stabilizer each time you refuel.

Portable Fuel Tank
[standard equipment (Canadian LHTC type)]
[optional equipment (other types)]

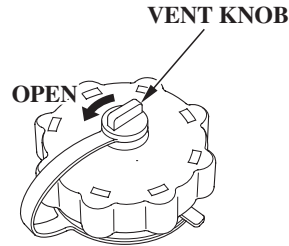
FUEL TANK CAPACITY:
6.6 US gal (25 L)

Check the fuel gauge and refill the tank when necessary.

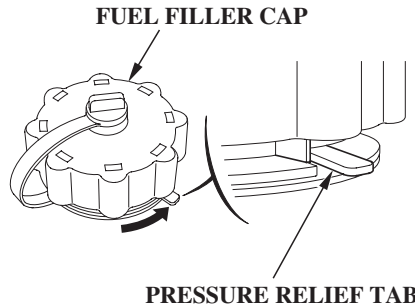
Remove the fuel tank from the boat for refueling.



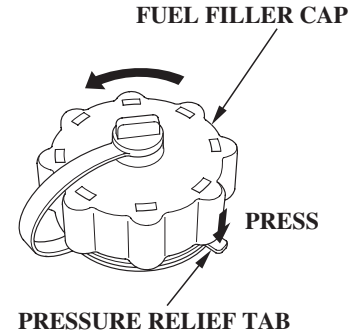
1. Turn the vent knob counterclockwise all the way to open the vent.



2. Turn the fuel filler cap counterclockwise so that it touches the pressure relief tab.



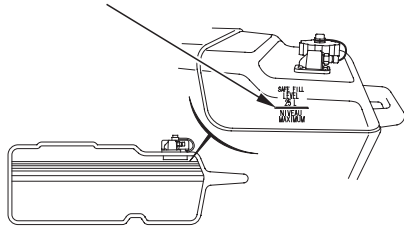
3. Press down the pressure relief tab, and then turn the fuel filler cap 1/4 counterclockwise. Release the pressure relief tab. Wait to relieve pressure.



4. The fuel filler cap will lock again. Press down the pressure relief tab, and turn counterclockwise to remove the fuel filler cap.

SERVICING YOUR OUTBOARD MOTOR

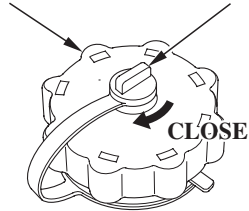
SAFE FILL LEVEL



Refuel in a well-ventilated area. Fill the tank to the SAFE FILL LEVEL line.

After refueling, install the cap and tighten it until you hear it click. Close the vent by turning the vent knob clockwise all the way, and return the fuel tank to the boat.

FUEL FILLER CAP VENT KNOB



Using the fuel tank mounted in the boat.

Check the fuel level and refill if necessary. Do not fill the fuel tank above the UPPER LIMIT. Refer to the boat manufacturer's instructions.

NOTICE

Fuel can damage paint and plastic. Be careful not to spill fuel when filling your fuel tank. Damage caused by spilled fuel is not covered under warranty.

⚠ WARNING

Gasoline is highly flammable and explosive.

You can be burned or seriously injured when handling fuel.

- Stop the engine and keep heat, sparks, and flame away.
- Handle fuel only outdoors.
- Wipe up spills immediately.

SERVICING YOUR OUTBOARD MOTOR

Never refill the fuel tank inside a building where gasoline fumes may reach flames or sparks. Keep gasoline away from appliance pilot lights, barbecues, electric appliances, power tools, etc.

Spilled fuel is not only a fire hazard, it causes environmental damage. Wipe up spills immediately.

FUEL RECOMMENDATIONS

Use unleaded gasoline with a pump octane rating of 86 or higher.

Your outboard motor is certified to operate on unleaded gasoline. Unleaded gasoline produces fewer engine and spark plug deposits and extends exhaust system life.

Never use stale or contaminated gasoline or an oil/gasoline mixture. Avoid getting dirt or water in the fuel tank.

You may use unleaded gasoline containing no more than 10% ethanol (E10) or 5% methanol by volume. In addition, methanol must contain cosolvents and corrosion inhibitors.

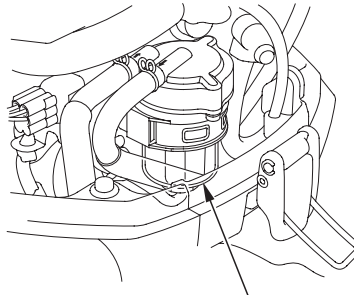
Use of fuels with content of ethanol or methanol greater than shown above may cause starting and/or performance problems. It may also damage metal, rubber, and plastic parts of the fuel system.

SERVICING YOUR OUTBOARD MOTOR

Engine damage or performance problems that result from using a fuel with percentages of ethanol or methanol greater than shown above are not covered under warranty.

If your outboard motor will be used on an infrequent or intermittent basis, please refer to the fuel section of the STORAGE chapter (p. 111) for additional information regarding fuel deterioration.

Water Separator Inspection and Service



WATER SEPARATOR

Water separator is located near the engine cover latch on the boat side. Water accumulation in the water separator can cause loss of power or hard starting. Check the water separator periodically. Clean it or consult with an authorized Honda outboard motor dealer for cleaning.

⚠ WARNING

Gasoline is highly flammable and explosive.

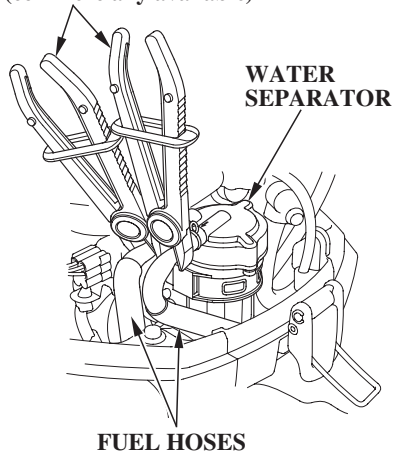
You can be burned or seriously injured when handling fuel.

- Stop the engine and keep heat, sparks, and flame away.
- Handle fuel only outdoors.
- Wipe up spills immediately.

1. Remove the engine cover (p. 87).
2. Remove the separator assembly. If it is difficult to remove the separator assembly by yourself, consult an authorized Honda Marine dealer.

SERVICING YOUR OUTBOARD MOTOR

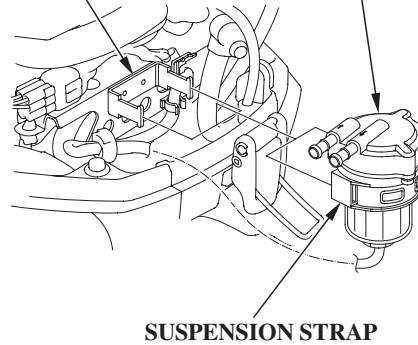
HOSE CLIPS
(commercially available)



3. Pinch the fuel hoses with hose clips to prevent fuel leakage.

**WATER
SEPARATOR
BRACKET**

**WATER
SEPARATOR**

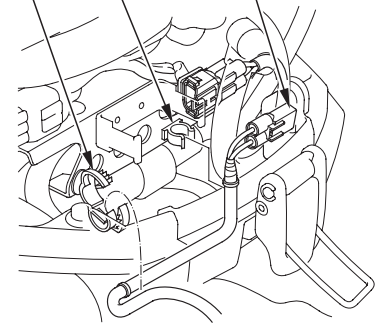


4. Remove the suspension strap from the water separator bracket; then remove the strap from the separator assembly. During removal of the separator assembly, take care not to damage the wire harness with the separator bracket.

**HARNESS
CLIP**

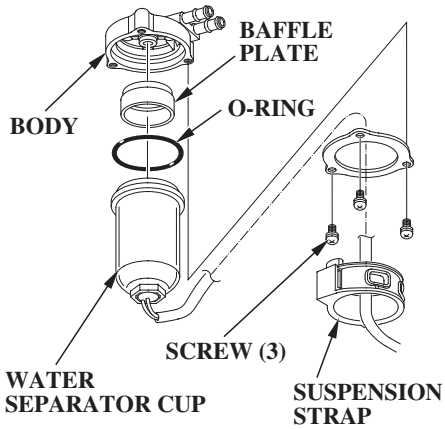
**WATER LEVEL SENSOR
2P CONNECTOR**

CLIP C



5. Open the harness clip and remove the harness from clip C; then disconnect the water level sensor 2P connector.
6. Disconnect the fuel hoses from the water separator.

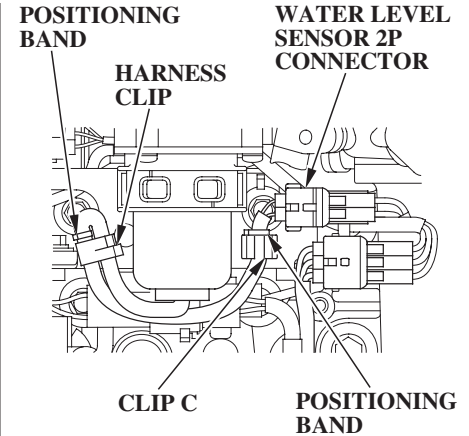
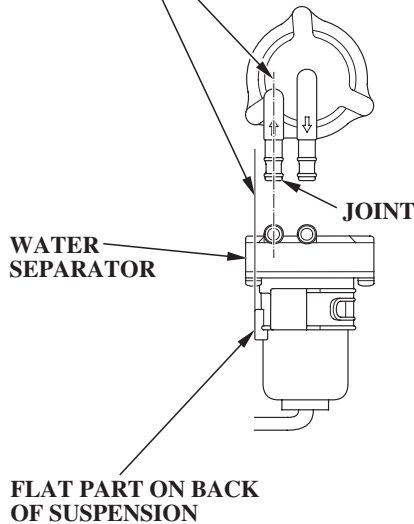
SERVICING YOUR OUTBOARD MOTOR



7. Remove the three screws and separate the water separator cup from the body.
8. Thoroughly clean the water separator cup.
9. Reassemble the water separator body, baffle plate, O-ring and the cup.
TIGHTENING TORQUE:
2.5 lbf·ft (3.4 N·m , 0.35 kgf·m)

- Assemble so the flat part on the back of the suspension is parallel to the water separator joint as shown below.

Assemble so the flat part of the suspension and the water separator joint are parallel to each other.



10. Connect the water level sensor 2P connector. Install the harness to clip C and the harness clip. Align the positioning bands on the harness with the end of clip C and the harness clip as shown above.
11. Reinstall the water separator in the reverse order of removal.

12. Squeeze and release the priming bulb to fill the vapor separator, and check for leaks.

If the buzzer sounds or excessive water or sediment accumulation are found in the fuel filter, inspect the fuel tank.

Clean the fuel tank and tank filter if necessary. It may be necessary to drain the fuel tank completely and refill with fresh gasoline.

Fuel Filter Inspection and Replacement

The fuel filter (inside the strainer cup) is located between the fuel pump and the water separator.

Water or sediment accumulation in the filter can cause loss of power or hard starting. To prevent engine malfunction, inspect the filter and replace when necessary.

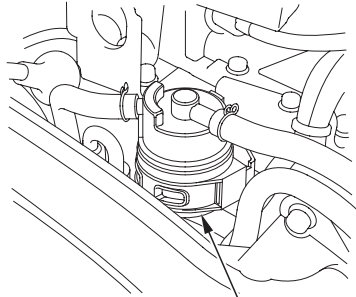
WARNING

Gasoline is highly flammable and explosive.

You can be burned or seriously injured when handling fuel.

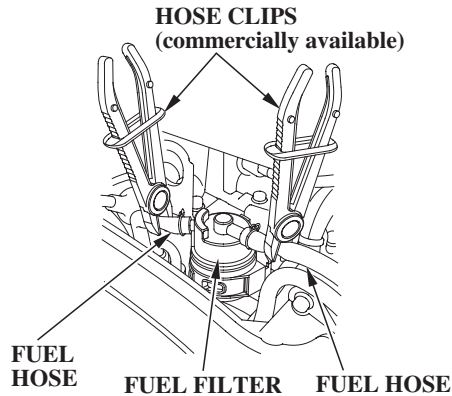
- Stop the engine and keep heat, sparks, and flame away.
- Handle fuel only outdoors.
- Wipe up spills immediately.

SERVICING YOUR OUTBOARD MOTOR



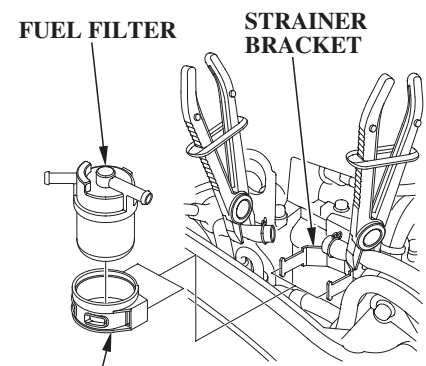
FUEL FILTER
(inside strainer cup)

1. Remove the engine cover (see page 87).
2. Looking through the translucent strainer cup, check the fuel filter for water accumulation and clogging.
If necessary, replace the fuel filter with a new one.



FUEL HOSE **FUEL FILTER** **FUEL HOSE**

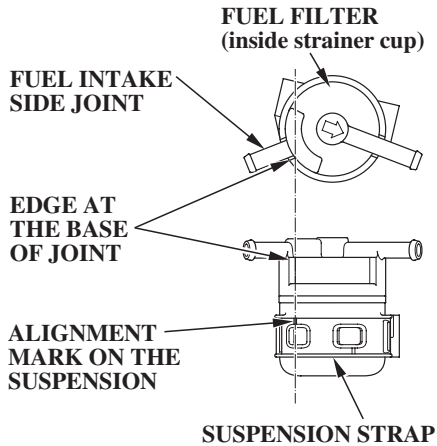
3. Before removing the fuel filter, to prevent fuel leakage, place fuel hose clips on the fuel hoses on each side of the fuel filter.



SUSPENSION STRAP

4. Remove the fuel filter assembly from the strainer bracket. If it is difficult to remove the fuel filter assembly by yourself, consult an authorized Honda Marine dealer.
5. Disconnect the fuel hoses from the fuel filter.
6. Remove the fuel filter from the suspension strap.

SERVICING YOUR OUTBOARD MOTOR



7. Install a new fuel filter. Assemble the fuel filter by aligning the edge at the base of the fuel intake side joint of the fuel filter with the alignment mark on the suspension as shown above.
8. Install the fuel filter assembly into the strainer bracket.
9. Connect the fuel hoses to the fuel filter.

10. Prime the engine using the priming bulb (refer to page 54). Check for fuel leaks.
Repair any fuel leaks if necessary.

11. Install the engine cover.

If loss of power or hard starting are found to be caused by excessive water or sediment accumulation in the fuel filter, inspect the fuel tank.

Clean the fuel tank and tank filter if necessary. It may be necessary to drain the fuel tank completely and refill with fresh gasoline.

SERVICING YOUR OUTBOARD MOTOR

Portable Fuel Tank and Tank Filter Cleaning [standard equipment (Canadian LHTC type)] [optional equipment (other types)]

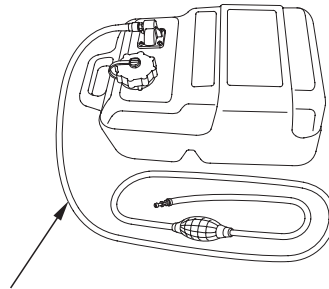
⚠ WARNING

Gasoline is highly flammable and explosive.

You can be burned or seriously injured when handling fuel.

- Stop the engine and keep heat, sparks, and flame away.
- Handle fuel only outdoors.
- Wipe up spills immediately.

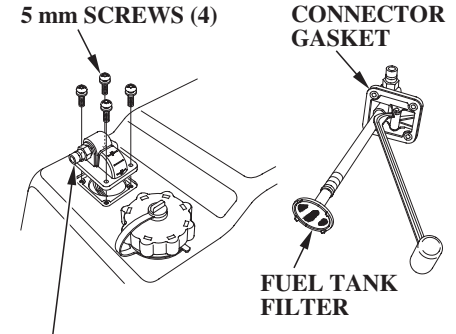
Fuel Tank



FUEL HOSE
(standard equipment)

Empty the portable fuel tank into an approved gasoline container. Use a funnel to avoid spilling fuel. Rinse the fuel tank with nonflammable solvent to remove any accumulated sediment.

Fuel Tank Filter

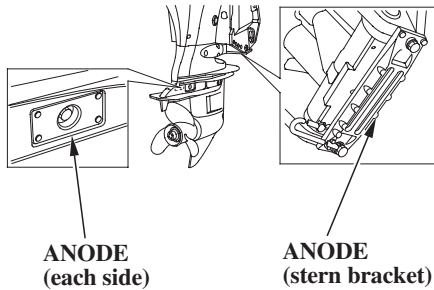


FUEL TANK FILTER JOINT
(Fuel Hose Connector)

1. Remove the four 5 mm screws using a flat screwdriver, then remove the fuel hose connector and fuel tank filter from the tank.
2. Clean the filter in nonflammable solvent. Inspect the fuel tank filter and the connector gasket. Replace them if damaged.
3. Reinstall the filter and hose connector in the fuel tank. Tighten the four 5 mm screws securely.

SERVICING YOUR OUTBOARD MOTOR

Anode Replacement



The anodes are located on each side of the gear case and on the stern bracket. They are made of a sacrificial material that helps to protect the outboard motor from corrosion.

Replace the anodes when they have been reduced to about half their original size, or if they are crumbling.

NOTICE

Painting or coating the anodes will defeat their purpose and will lead to rust and corrosion damage to the outboard motor. The anodes must be exposed to the water in order to protect the outboard motor.

Propeller Replacement

Before replacing the propeller, remove the emergency stop switch clip from the emergency stop switch to prevent any possibility of the engine being started while you are working with the propeller. The propeller blades may have sharp edges, so wear heavy gloves to protect your hands.

Operating the outboard motor at higher altitudes will reduce available power. This may require decreasing the propeller pitch to maintain correct engine RPM.

Removal

1. Remove the cotter pin, unscrew the castle nut, remove the 18.5 mm washer, and then remove the propeller and thrust washer.
2. Inspect the propeller shaft for any fishing line or debris.

SERVICING YOUR OUTBOARD MOTOR

Installation

1. Apply marine grade grease to the propeller shaft.
2. Install the thrust washer with the grooved side toward the gear case.
3. Install the propeller.
4. Install the 18.5 mm washer.
5. Lightly tighten the castle nut by hand or wrench until the propeller has no free play.
6. Tighten the castle nut using a torque wrench.
CASTLE NUT TIGHTENING TORQUE:
0.7 lbf·ft (1 N·m, 0.1 kgf·m)
7. Then, using a torque wrench, tighten the castle nut until the first available groove in the castle nut aligns with the cotter pin hole. Do not tighten past the first alignment of the castle nut groove and the

cotter pin hole.

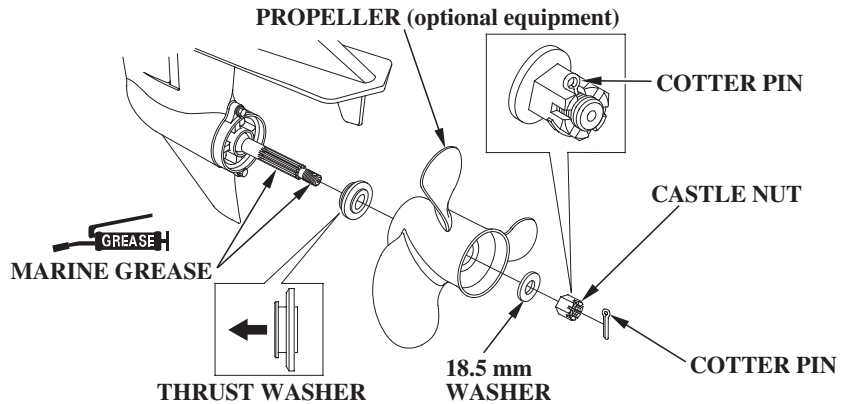
NOTICE

TIGHTENING TORQUE LIMIT:
33 lbf·ft (44 N·m, 4.5 kgf·m)
Do not tighten the castle nut above the TIGHTENING TORQUE LIMIT, or the propeller and shaft may be damaged.

8. Be sure to replace the cotter pin with a new one.

- Use a Honda Genuine stainless steel cotter pin or equivalent cotter pin and bend the pin ends as shown.

Note that these wrenches are not included with the tool set that comes with the outboard motor. Contact your authorized Honda Marine dealer for additional tool information.



CLEANING AND FLUSHING

Cleaning and Flushing

After each use in salt water or dirty water, thoroughly clean and flush the outboard motor with fresh water.

Touch up any damaged paint, and coat areas that may rust with Honda Corrosion Inhibitor, or equivalent. Lubricate controls with a silicone spray lubricant.

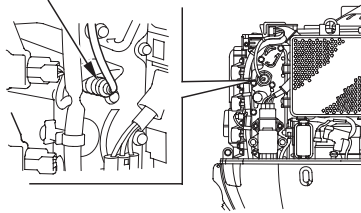
NOTICE

Do not apply water or corrosion inhibitor directly to the electrical components under the engine cover, such as the HO2 sensor. If water or corrosion inhibitor penetrates these components, they may be damaged. Before applying a corrosion inhibitor, cover the HO2 sensor with a protective material to prevent damage.

Cleaning

Wash the outside of the outboard motor with clean, fresh water, and flush the cooling system as follows.

HO2 SENSOR



Flushing With a Garden Hose (commercially available)

NOTICE

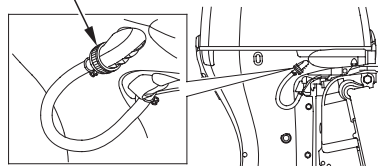
Do not run the engine when flushing the outboard motor with a garden hose or the outboard motor may be damaged.

For safety, remove the emergency stop switch clip so the engine cannot be started while you are standing near the propeller.

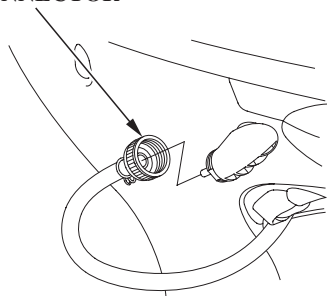
1. Disconnect the fuel hose from the outboard motor.
2. Tilt down the outboard motor.
3. Clean and wash the outside of the outboard motor with fresh water.

CLEANING AND FLUSHING

**FLUSH PORT
CONNECTOR**



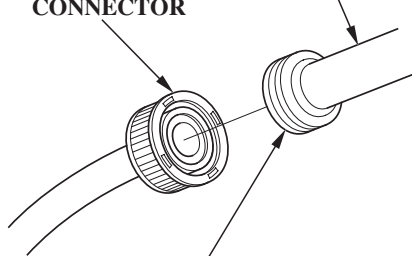
**FLUSH PORT
CONNECTOR**



4. Disconnect the flush port connector.

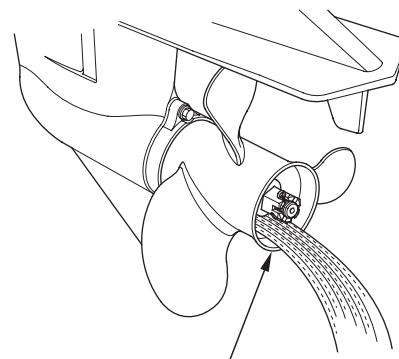
**FLUSH PORT
CONNECTOR**

GARDEN HOSE



**GARDEN HOSE JOINT
(commercially available)**

5. Screw the flush port connector onto the garden hose.



EXHAUST PORT

6. Turn on the fresh water supply and flush the outboard motor for at least 10 minutes.
7. After flushing, disconnect the garden hose and reconnect the flush port connector.
8. Tilt up the outboard motor and move the tilt lock lever to the LOCK position.

Fuel

NOTICE

Depending on the region where you operate your outboard, fuel formulations may deteriorate and oxidize rapidly. Fuel deterioration and oxidation can occur in as little as 15 days and may cause damage to the fuel system. Please check with your servicing dealer for local storage recommendations.

Gasoline will oxidize and deteriorate in storage. Old gasoline will cause hard starting, and it leaves gum deposits that clog the fuel system. If the gasoline in your fuel tank and vapor separator deteriorates during storage, you may need to have the vapor separator and other fuel system components serviced or replaced.

The length of time that gasoline can be left in your fuel tank and vapor separator without causing functional problems will vary with such factors as gasoline blend, your storage

temperatures, and whether the fuel tank is partially or completely filled. The air in a partially filled fuel tank promotes fuel deterioration. Very warm storage temperatures accelerate fuel deterioration. Fuel deterioration problems may occur in less than 15 days, if the gasoline was not fresh when you filled the fuel tank.

You can extend fuel storage life by adding a gasoline stabilizer that is formulated for that purpose, or you can avoid fuel deterioration problems by draining all the fuel from the fuel tank and carburetor.

The *Distributor's Limited Warranty* does not cover fuel system damage or engine performance problems resulting from neglected storage preparation.

Adding a Fuel Stabilizer

When adding a fuel stabilizer, fill the fuel tank with fresh gasoline. If only partially filled, air in the tank will promote fuel deterioration during

storage. If you keep an additional container of gasoline for refueling, be sure that it contains only fresh gasoline.

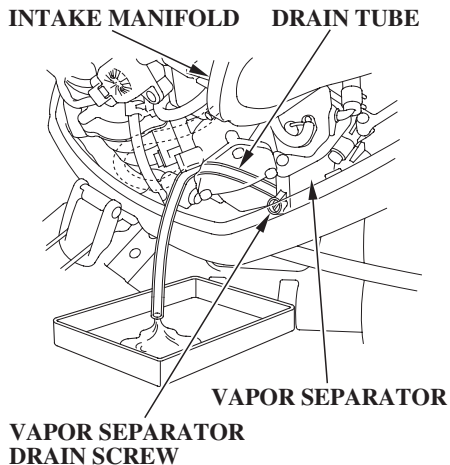
1. Drain the vapor separator before adding fuel stabilizer.
2. Add Honda Marine fuel stabilizer following the instructions on the label.
3. After adding a fuel stabilizer, run the engine in water for 10 minutes to be sure that the treated gasoline has replaced the untreated gasoline in the vapor separator.
4. Turn the engine OFF.

Draining the Fuel System

You can avoid fuel deterioration problems by draining the fuel tank and vapor separator.

1. Remove the engine cover (p. 87).

STORAGE



2. Release the drain tube from the projection of the intake manifold and set the end of the tube toward the outside of the engine undercase. Place an approved gasoline container below the fuel drain outlet, and use a funnel to avoid spilling fuel.
3. Loosen the vapor separator drain screw.

⚠ WARNING

Gasoline is highly flammable and explosive.

You can be burned or seriously injured when handling fuel.

- Stop the engine and keep heat, sparks, and flame away.
- Handle fuel only outdoors.
- Wipe up spills immediately.

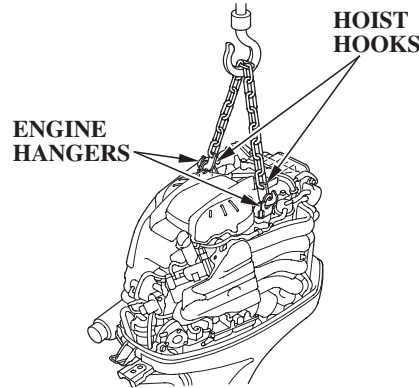
4. Tilt the outboard motor up all the way. Leave the outboard motor tilted up until the gasoline stops flowing.
5. After thoroughly draining, tighten the drain screw securely and return the outboard motor to the vertical position.
6. Secure the drain tube to the projection of the intake manifold.
7. Drain the fuel tank into an approved gasoline container, or if you need to store fuel in the fuel tank, you can extend fuel storage life by filling the fuel tank with fresh gasoline and adding Honda Marine fuel stabilizer following the directions on the container. Close the fuel cap vent.

If using the portable fuel tank, close the fuel filler cap vent knob. Store the portable fuel tank in a cool dry place out of direct sunlight.

Engine Oil

1. Change the engine oil and the oil filter (p. 89 – 91).
2. Remove the spark plugs (p. 92), and remove the emergency stop switch clip from the emergency stop switch.
3. Pour 1–2 teaspoons (5 – 10 cm³) of clean engine oil into each cylinder.
4. Rotate the engine a few revolutions to distribute the oil in the cylinders.
5. Reinstall the spark plugs (p. 94).

HOISTING THE OUTBOARD MOTOR



1. Unlock and remove the engine cover (p. 87).
2. Attach the hoist hooks to the engine hangers.
3. Disconnect the outboard motor from the boat, hoist the outboard motor, and move it to the storage area.

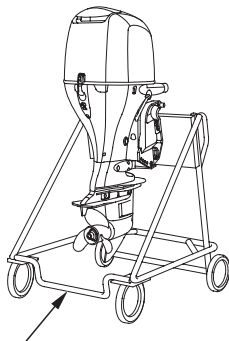
4. After the outboard motor is placed in storage and disconnected from the hoist, install the engine cover.

STORAGE PRECAUTIONS

Select a well-ventilated storage area. If possible, avoid storage areas with high humidity.

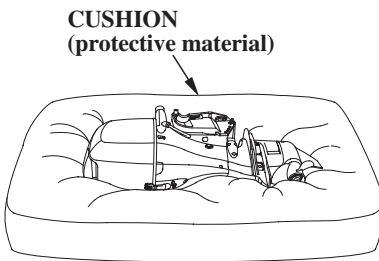
If storing a container of gasoline, store it away from any appliance that operates with a flame, such as a furnace, water heater, or clothes dryer. Also avoid any area with a spark producing electric motor, or where power tools are operated.

STORAGE



OUTBOARD MOTOR STAND

If the outboard motor will be removed from the boat for storage, we recommend storing it vertically by mounting it on a commercially available stand.



(Port side turned down as shown.)

If it is necessary to store the outboard motor horizontally as shown, drain the vapor separator (p. 111), and drain the engine oil (p. 89), before removing the outboard motor from the boat.

Rest the outboard motor on a cushion of protective material.

Cover the outboard motor to keep out dust. Do not use plastic sheet as a dust cover. A nonporous cover will trap moisture, promoting rust and corrosion.

REMOVAL FROM STORAGE

Check your outboard motor as described in the *BEFORE OPERATION* chapter of this manual.

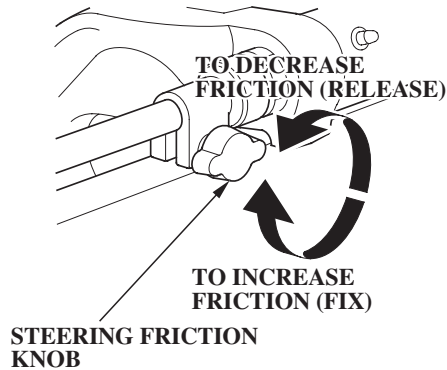
If the cylinders were coated with oil during storage preparation, the engine may smoke briefly at startup. This is normal.

TRANSPORTING

WITH OUTBOARD MOTOR INSTALLED ON BOAT

When trailering a boat with the outboard motor attached, always disconnect the fuel line from the portable fuel tank.

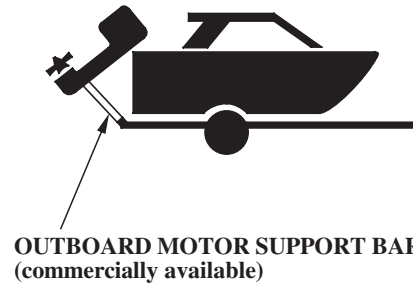
LHT Type (tiller handle)



Tighten the steering friction knob to prevent the outboard motor from moving while trailering the boat.

Use an outboard motor support bar to prevent the outboard motor from moving while trailering the boat. Refer to the manufacturer's instructions for using an outboard motor support bar.

The preferred method is to leave the engine in the normal running position, but if there is insufficient road clearance, you can tilt the outboard motor using a commercially available outboard motor support bar available through your dealer. Refer to the manufacturer's instructions for using an outboard motor support bar.



WITH OUTBOARD MOTOR REMOVED FROM BOAT

Secure the outboard motor in either the vertical or horizontal position shown on p. 113 and 114.

TAKING CARE OF UNEXPECTED PROBLEMS

ENGINE WILL NOT START

Possible Cause	Correction
Clip not inserted in emergency stop switch.	Insert clip in emergency stop switch.
Gearshift lever or control lever not in neutral position.	Shift to neutral.
Fast idle lever raised (side-mount type).	Leave fast idle lever OFF (p. 59).

TAKING CARE OF UNEXPECTED PROBLEMS

ENGINE WILL NOT START

Possible Cause	Correction
Out of fuel.	Refuel (p. 97).
Fuel hose not primed.	Squeeze priming bulb (p. 54).
Fuel filter or fuel tank filter clogged.	Replace fuel filters (p.103).
Bad fuel; outboard motor stored without treating or draining gasoline, or refueled with bad gasoline.	Drain fuel tank and vapor separator (p. 111). Refill with fresh gasoline (p. 97).

TAKING CARE OF UNEXPECTED PROBLEMS

ENGINE WILL NOT START

Possible Cause	Correction
Battery connections loose or corroded.	Clean and tighten battery connections.
Battery discharged.	Recharge battery.
Fuse(s) blown.	Replace fuse(s) (p. 121).
Spark plugs faulty, fouled, or improperly gapped.	Replace spark plugs (p. 92).
Spark plugs wet with fuel (flooded engine).	Dry and reinstall spark plugs. Start engine with the throttle open.
Fuel system malfunction, fuel pump failure, ignition malfunction, stuck valves, starter malfunction, switch malfunction, or electrical problem in the starting circuit, etc.	Use starting procedure (p. 55 , 58 , 61 , 63); if engine still will not start, then take outboard motor to an authorized Honda Marine dealer, or refer to the shop manual.

TAKING CARE OF UNEXPECTED PROBLEMS

HARD STARTING OR STALLS AFTER STARTING

Possible Cause	Correction
Fast idle lever raised (side-mount type).	Leave fast idle lever OFF (p. 59).
Fuel hose not primed.	Squeeze priming bulb (p. 54).
Fuel filter or fuel tank clogged.	Replace fuel filters (p.103).
Bad fuel; outboard motor stored without treating or draining gasoline, or refueled with bad fuel.	Drain fuel tank and vapor separator (p. 111). Refill with fresh gasoline (p. 97).

TAKING CARE OF UNEXPECTED PROBLEMS

HARD STARTING OR STALLS AFTER STARTING

Possible Cause	Correction
Spark plugs faulty, fouled, or improperly gapped.	Replace spark plugs (p. 92).
Fuel system malfunction, fuel pump failure, ignition malfunction, etc.	Take outboard motor to an authorized Honda Marine dealer, or refer to the shop manual.

ENGINE OVERHEATS

Possible Cause	Correction
Water intake screens clogged.	Clean water intake screens.
Faulty thermostat or water pump.	Take outboard motor to an authorized Honda Marine dealer, or refer to the shop manual.

TAKING CARE OF UNEXPECTED PROBLEMS

FUSES

Electric Starter Will Not Operate

The 10A, 15A, and 30A main fuses protect the electric starter relay and related circuits.

The 10A ② main fuse protects the ignition switch and related circuits. If this fuse blows, the engine will not start or run, and the power trim/tilt switch will not activate the trim/tilt mechanism.

Battery Will Not Charge

A 70A ACG fuse protects the alternator circuit. If the ACG fuse blows, the engine will not charge the battery. Refer to p. 122 .

Fuse Replacement

NOTICE

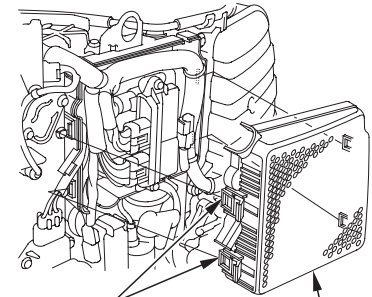
Disconnect the battery cable at the battery negative (-) terminal before replacing the fuse.

Failure to do so may cause a short circuit.

Main Fuse

1. Stop the engine and disconnect the battery cable.
2. Remove the engine cover.

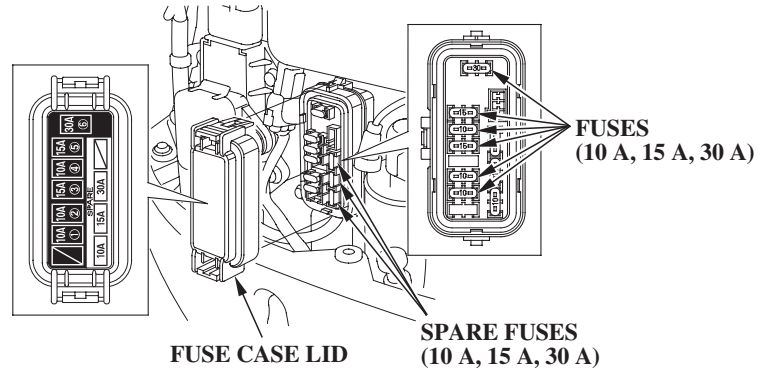
3. Remove the electrical parts cover.



LOCK TABS

ELECTRICAL PARTS COVER

4. Remove the fuse case lid.



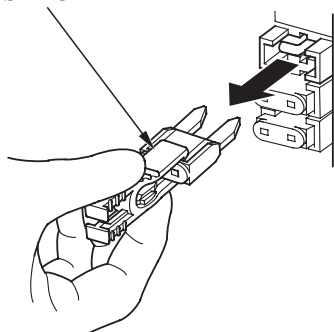
FUSE CASE LID

SPARE FUSES
(10 A, 15 A, 30 A)

FUSES
(10 A, 15 A, 30 A)

TAKING CARE OF UNEXPECTED PROBLEMS

FUSE PULLER



5. Use the fuse puller from the tool kit to remove the fuses. If a fuse is blown, install a replacement fuse of the same specified rating. The outboard motor is supplied with spare fuses in the fuse holder.

MAIN FUSE RATINGS:

10A, 15A, 30A

6. Reinstall the fuse case lid, electrical parts cover, and the engine cover.

7. Reconnect the battery.

NOTICE

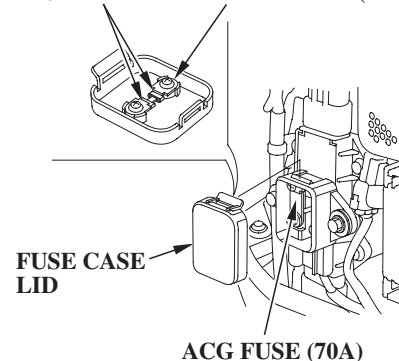
Never use a fuse with a rating greater than specified. Serious damage to the electrical system could result.

If a blown fuse is found, try to determine and correct the electrical problem that caused the blown fuse. An uncorrected electrical problem may cause the fuse to blow again.

If fuses continue to blow, take the outboard motor to an authorized Honda Marine dealer for inspection and service, or refer to the shop manual.

ACG Fuse

“70A” MARK SPARE FUSE (70A)



1. Stop the engine and disconnect the battery cable.
2. Remove the engine cover.
3. Remove the electrical parts cover.
4. Remove the fuse case lid.
5. Remove the old fuse by removing two 5 mm screws.

TAKING CARE OF UNEXPECTED PROBLEMS

6. Install a new fuse with the “70A” mark downward.

ACG FUSE RATING: 70A

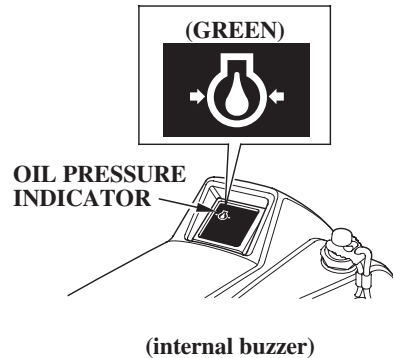
7. After finishing replacement, install the fuse case lid with its hook toward the engine side.
8. Be sure the fuse case lid is securely locked.
9. Reinstall the electrical parts cover and engine cover.
10. Reconnect the battery.

A spare fuse is located on the reverse side of the fuse case lid and tightened with two 3 mm screws.

When the new fuse is set as a spare fuse on the reverse side of the fuse case lid, set the fuse so that you can see the “70A” mark on it.

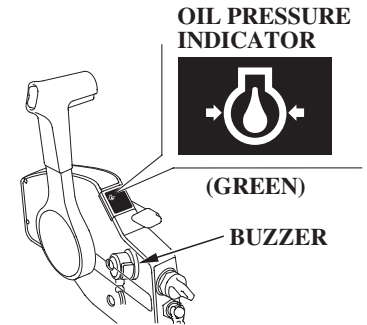
OIL PRESSURE INDICATOR GOES OFF AND ENGINE SPEED IS LIMITED

LHT Type (tiller handle)

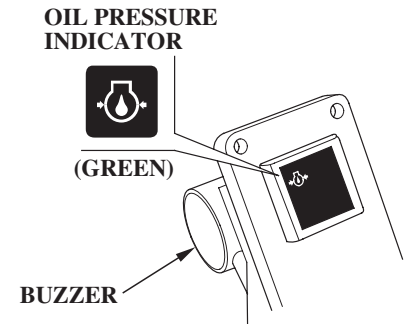


LRT and XRT Types (remote control)

Side-Mount Type

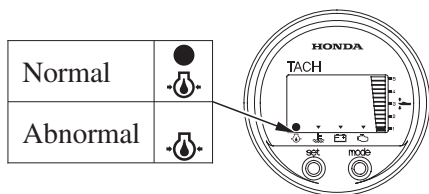


Panel-Mount/Top-Mount Types



TAKING CARE OF UNEXPECTED PROBLEMS

Digital Tachometer



If oil pressure becomes low, the oil pressure indicator will go off, and the engine protection system limits engine speed. If you are at cruising speed, engine speed will decrease automatically.

The oil pressure indicator is also equipped with a buzzer that sounds when the oil pressure indicator goes off.

Low oil pressure may be the result of a low engine oil level, or there may be a problem with the engine lubrication system.

If the throttle is closed suddenly after full throttle operation, engine speed may drop below the specified idle rpm, and that could activate the engine protection system momentarily.

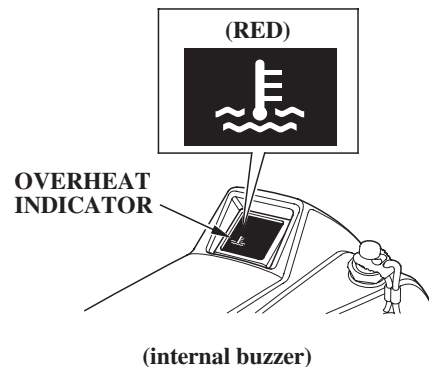
If low oil pressure activates the engine protection system, stop the engine, check the engine oil level (p. 88), and add oil if needed.

With the engine oil at the recommended level, restart the engine. If the lubrication system is OK, the oil pressure indicator should come on within 30 seconds, and the engine will respond normally to throttle control lever operation.

If the engine protection system remains activated after 30 seconds, return to the nearest boat landing, and have the outboard motor inspected by an authorized Honda Marine dealer.

OVERHEAT INDICATOR COMES ON AND ENGINE SPEED IS LIMITED

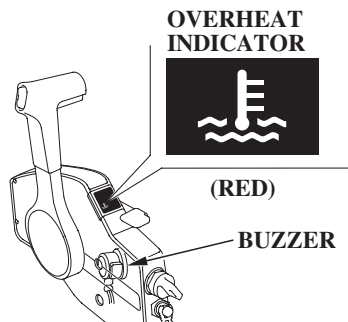
LHT Type (tiller handle)



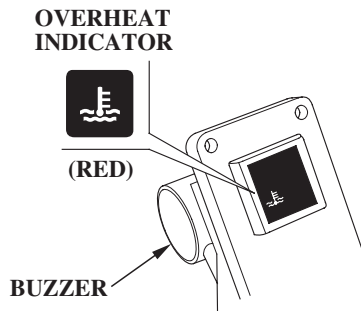
TAKING CARE OF UNEXPECTED PROBLEMS

LRT and XRT Types (remote control)

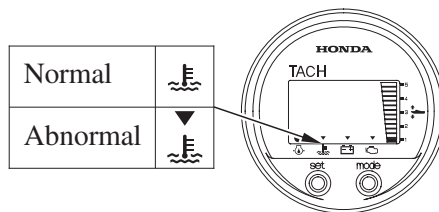
Side-Mount Type



Panel-Mount/Top-Mount Types



Digital Tachometer



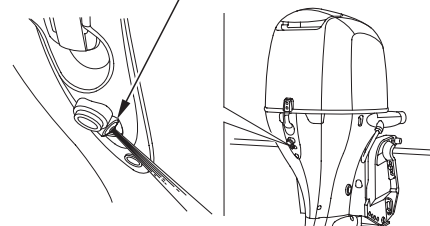
If the engine overheats, the overheat indicator will come on, and the engine will stop in 20 seconds after the engine protection system limits engine speed. If you are at cruising speed, engine speed will decrease automatically.

All types are equipped with a buzzer that sounds when the overheat indicator comes on.

Engine overheating may be the result of restricted water intake screens, or there may be a problem with the cooling system thermostat or water pump.

If the engine is stopped after running at full throttle, and then restarted soon afterward, that could activate the engine protection system momentarily.

COOLING SYSTEM INDICATOR



If overheating activates the engine protection system, idle the engine in neutral, and check the cooling system indicator.

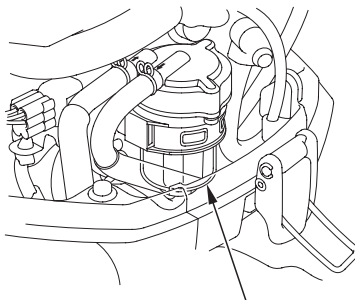
TAKING CARE OF UNEXPECTED PROBLEMS

If water is flowing from the cooling system indicator, continue idling for 30 seconds. If the cooling system is OK, the overheat indicator should go off within 30 seconds, and the engine will respond normally to throttle control lever operation.

If there is no water flowing from the cooling system indicator, stop the engine, and tilt the outboard motor to inspect the water intake screens. If restricted, clean the water intake screens, return the outboard motor to the running position, restart the engine, and check the cooling system indicator again.

If there is still no water flowing from the cooling system indicator, or if the engine protection system remains activated after 30 seconds, return to the nearest boat landing, and have the outboard motor inspected by an authorized Honda Marine dealer.

WATER SEPARATOR BUZZER SOUNDS



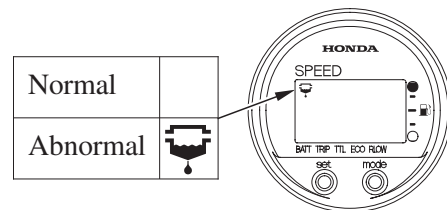
WATER SEPARATOR

When the water separator buzzer sounds (a rapid, repeating signal):

Check the water separator for water contamination. If water is accumulated, stop the engine, and clean the water separator following the instructions on page100, or consult with an authorized Honda Marine dealer.

WATER SEPARATOR INDICATOR

Digital Speedometer



When the water separator indicator blinks:

Check the water separator for water contamination. If water has accumulated, stop the engine, and clean the water separator following the instructions on page100, or consult with an authorized Honda Marine dealer.

TAKING CARE OF UNEXPECTED PROBLEMS

SUBMERGED OUTBOARD MOTOR

A submerged outboard motor must be serviced immediately after it is recovered from the water in order to minimize corrosion.

If there is a Honda Marine dealership nearby, take the outboard motor to the dealer immediately. If you are far from a dealer, proceed as follows:

1. Remove the engine cover, and rinse the outboard motor with fresh water to remove salt water, sand, mud, etc.
2. Drain the vapor separator as described on p. 111.

3. Change the engine oil and oil filter as described on p. 89 – 91. If there was water in the engine crankcase, or if the used engine oil showed signs of water contamination, then a second engine oil change should be performed after running the engine for half an hour.

4. Remove the spark plugs (p. 92). Operate the starter to expel water from the engine's cylinder.
5. Pour 1 – 2 teaspoons (5 – 10 cm³) (p. 113) of engine oil into each spark plug hole to lubricate the inside of the cylinders. Reinstall the spark plugs.

If the engine was running when it submerged, there may be mechanical damage, such as bent connecting rods. If the engine binds when cranked, do not attempt to run the engine until it has been repaired.

6. Attempt to start the engine. Be sure the water level is at least 2 inches (5 cm) above the antiventilation plate.

If you are changing the oil filter while the outboard motor is out of the water, use commercially available ear muffs and water hose to supply water.

NOTICE

Running the outboard motor without sufficient cooling water will damage the water pump and overheat the engine.

TAKING CARE OF UNEXPECTED PROBLEMS

If the engine fails to start, remove the spark plugs and dry them, then reinstall the spark plugs and attempt to start the engine again.

If the engine starts, and no mechanical damage is evident, continue to run the engine for a half hour or longer. Be sure the water level is at least 2 inches (5 cm) above the antiventilation plate to avoid overheating and water pump damage.

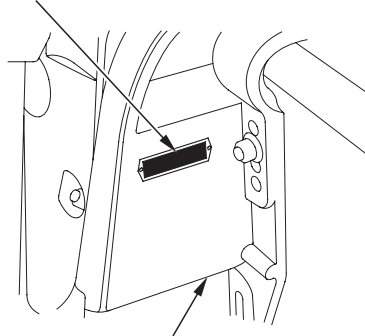
7. As soon as possible, take the outboard motor to an authorized Honda Marine dealer for inspection and service.

TECHNICAL INFORMATION

Serial Number Locations

Record the product identification number, the engine serial number, and the date of purchase in the space provided on this page. You will need these numbers when ordering parts, and when making technical or warranty inquiries (p. 138).

PRODUCT IDENTIFICATION NUMBER



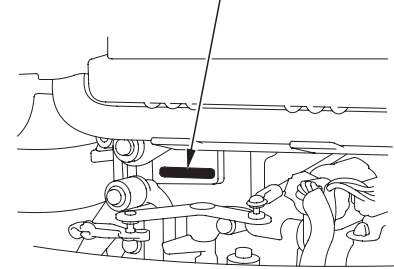
RIGHT STERN BRACKET

The product identification number is stamped on a plate attached on the right stern bracket.

Product identification number:

Date of purchase:

ENGINE SERIAL NUMBER



The engine serial number is stamped on the upper right side of the engine.

Engine serial number:

TECHNICAL INFORMATION

Battery

For complete information, refer to the battery manufacturer's instructions.

Minimum Requirements

12V – 55Ah/5HR (65Ah/20HR)
(CCA582A)

NOTICE

- *Be careful to avoid connecting the battery in reverse polarity, as this will damage the battery-charging system in the outboard motor.*
- *Do not disconnect the battery cables while the engine is running. Disconnecting the cables while the engine is running will damage the outboard motor's electrical system.*

- *Battery cable extension: Extending the original battery cable will cause the battery voltage to drop due to the increased length of the cable and number of connections. This voltage drop may cause the buzzer to sound momentarily when engaging the starter motor and may prevent the engine from starting. If the engine starts and the buzzer sounds momentarily, there may be barely sufficient voltage reaching the engine.*

WARNING: Battery posts, terminals, and related accessories contain lead and lead compounds. **Wash your hands after handling.**

Emission Control System Information

Source of Emissions

The combustion process produces carbon monoxide, oxides of nitrogen, and hydrocarbons. Control of hydrocarbons and oxides of nitrogen is very important because, under certain conditions, they react to form photochemical smog when subjected to sunlight. Carbon monoxide does not react in the same way, but it is toxic.

Honda utilizes various systems to reduce the emissions of carbon monoxide, oxides of nitrogen, and hydrocarbons.

Ignition Timing Control System

The system constantly adjusts the ignition timing, reducing the amount of HC, CO, and NOx produced.

PGM-FI System

The PGM-FI system uses sequential multiport fuel injection. It has two subsystems: Engine Control, and Fuel Control. The Engine Control Module (ECM) uses various sensors to determine how much air is going into the engine. It then controls how much fuel to inject under all operating conditions.

The U.S., California Clean Air Acts, and Environment Canada

EPA, California, and Canadian regulations require all manufacturers to furnish written instructions describing the operation and maintenance of emission control systems.

The following instructions and procedures must be followed in order to keep the emissions from your Honda engine within the emission standards.

Tampering and Altering

NOTICE

Tampering is a violation of Federal and California law.

Tampering with or altering the emission control system may increase emissions beyond the legal limit. Among those acts that constitute tampering are:

- Removal or alteration of any part of the intake, fuel, or exhaust systems.
- Alterations that would cause the engine to operate outside its design parameters.

TECHNICAL INFORMATION

Problems That May Affect Emissions

If you are aware of any of the following symptoms, have your engine inspected and repaired by your servicing dealer.

- Hard starting or stalling after starting.
- Rough idle.
- Misfiring or backfiring under load.
- Afterburning (backfiring).
- Black exhaust smoke or high fuel consumption.

Replacement Parts

The emission control systems on your Honda engine were designed, built, and certified to conform with EPA and California emission regulations. We recommend the use of Honda Genuine parts whenever you have maintenance done. These original-design replacement parts are manufactured to the same standards as the original parts, so you can be confident of their performance. The use of replacement parts that are not of the original design and quality may impair the effectiveness of your emission control system.

A manufacturer of an aftermarket part assumes the responsibility that the part will not adversely affect emission performance. The manufacturer or rebuilder of the part must certify that use of the part will not result in a failure of the engine to comply with emission regulations.

Maintenance

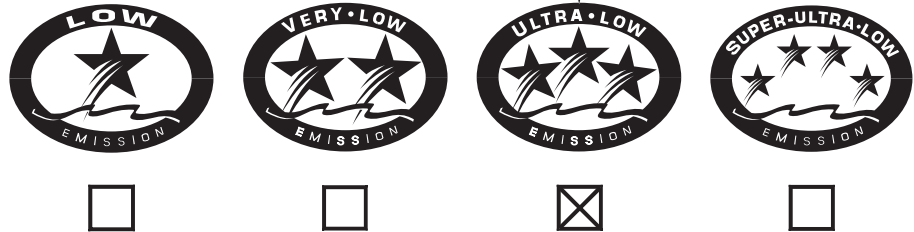
Follow the maintenance schedule on p. 84. Remember that this schedule is based on the assumption that your machine will be used for its designed purpose. Sustained high-load operation, or use in unusual conditions, will require more frequent service.

Star Label US, Puerto Rico, and US Virgin Islands

A Star label was applied to this outboard motor in accordance with the requirements of the California Air Resources Board.

The Star Label means Cleaner Marine Engine

This engine has been certified as a:



The Symbol for Cleaner Marine Engines:

Cleaner Air and Water - for healthier lifestyle and environment.

Better Fuel Economy - burns up to 30 - 40 percent less gas and oil than conventional carbureted two-stroke engines, saving money and resources.

Longer Emission Warranty - protects consumer for worry-free operation.

TECHNICAL INFORMATION



One Star Low Emission

The one-star label identifies engines that meet the Air Resources Board's Personal Watercraft and Outboard marine engine 2001 exhaust emission standards. Engines meeting these standards have 75% lower emissions than conventional carbureted two-stroke engines. These engines are equivalent to the U.S. EPA's 2006 standards for marine engines.



Two Stars Very Low Emission

The two-star label identifies engines that meet the Air Resources Board's Personal Watercraft and Outboard marine engine 2004 exhaust emission standards. Engines meeting these standards have 20% lower emissions than One Star-Low Emission engines.



Three Stars Ultra Low Emission

The three-star label identifies engines that meet the Air Resources Board's Personal Watercraft and Outboard marine engine 2008 exhaust emission standards or the Sterndrive and Inboard marine engine 2003-2008 exhaust emission standards. Engines meeting these standards have 65% lower emissions than One Star-Low Emission engines.



Four Stars Super Ultra Low Emission

The four-star label identifies engines that meet the Air Resources Board's Sterndrive and Inboard marine engine 2009 exhaust emission standards. Personal Watercraft and Outboard marine engines may also comply with these standards. Engines meeting these standards have 90% lower emissions than One Star-Low Emission engines.

Cleaner Watercraft - Get the Facts
1-800-END-SMOG
www.arb.ca.gov

TECHNICAL INFORMATION

Specifications

MODEL	BF75D	
Description code	BBAJ	
Type	LHT	LRT
Overall length	35.6 in (904 mm)	29.4 in (746 mm)
Overall width	25.4 in (646 mm)	17.7 in (449 mm)
Overall height	61.7 in (1,566 mm)	
Transom height (when transom angle at 12°)	21.1 in (537 mm)	
Dry mass [weight]*	377 lbs (171 kg)	364 lbs (165 kg)
Rated power	55.9 kW (75 HP)/5,500 rpm	
Full throttle range	5,000–6,000 rpm	
Engine type	4 stroke OHC in-line 4-cylinder	
Displacement	91.3 cu-in (1,497 cm ³)	
Spark plug gap	0.039–0.051 in (1.0–1.3 mm)	
Steering control system	Tiller handle	Outboard motor-mounted, remote control
Starter system	Electric starter	
Ignition system	Full transistor battery	
Lubrication system	Trochoid pump pressure lubrication	

Specified oil	Engine: API standard (SG, SH, SJ) SAE/FC-W 10W-30 Gear case: API standard (GL-4) SAE 90 Hypoid gear oil
Oil capacity	Engine: 4.4 US qt (4.2 L) without oil filter change 4.6 US qt (4.4 L) with oil filter change Gear case: 1.00 US qt (0.95 L)
CARB star label	ULTRA · LOW EMISSION
D.C. output	12V – 35A
Cooling system	Water cooling with thermostat
Exhaust system	Water exhaust
Spark plugs	IZFR6K-11E (NGK)
Fuel pump	Low pressure side: mechanical type High pressure side: electrical type
Fuel	Unleaded gasoline (86 pump octane or higher)
Gear change	Forward-Neutral-Reverse (dog type)
Steering angle	30° right and left
Trim angle	–4° to 16° (when Transom angle at 12°)
Tilt up angle	68° (when Transom angle at 12°)
Transom angle	8°, 12°, 16°, 20°, 24°

* With propeller

Honda outboard motors are power rated in accordance with NMMA procedures and using the ICOMIA standard 28/23.

TECHNICAL INFORMATION

Specifications

MODEL	BF90D		
Description code	BBCJ		
Type	LHT	LRT	XRT
Overall length	35.6 in (904 mm)	29.4 in (746 mm)	
Overall width	25.4 in (646 mm)	17.7 in (449 mm)	
Overall height	61.7 in (1,566 mm)		66.7 in (1,693 mm)
Transom height (when transom angle at 12°)	21.1 in (537 mm)		26.1 in (664 mm)
Dry mass [weight]*	379 lbs (172 kg)	366 lbs (166 kg)	379 lbs (172 kg)
Rated power	67.1 kW (90 HP)/5,800 rpm		
Full throttle range	5,300 – 6,300 rpm		
Engine type	4 stroke OHC VTEC in-line 4-cylinder		
Displacement	91.3 cu-in (1,497 cm ³)		
Spark plug gap	0.039 – 0.051 in (1.0 – 1.3 mm)		
Steering control system	Tiller handle	Outboard motor-mounted, remote control	
Starter system	Electric starter		
Ignition system	Full transistor battery		
Lubrication system	Trochoid pump pressure lubrication		

Specified oil	Engine: API standard (SG, SH, SJ) SAE/FC-W 10W-30 Gear case: API standard (GL-4) SAE 90 Hypoid gear oil
Oil capacity	Engine: 4.4 US qt (4.2 L) without oil filter change 4.6 US qt (4.4 L) with oil filter change Gear case: 1.00 US qt (0.95 L)
CARB star label	ULTRA · LOW EMISSION
D.C. output	12V – 35A
Cooling system	Water cooling with thermostat
Exhaust system	Water exhaust
Spark plugs	IZFR6K-11E (NGK)
Fuel pump	Low pressure side: mechanical type High pressure side: electrical type
Fuel	Unleaded gasoline (86 pump octane or higher)
Gear change	Forward-Neutral-Reverse (dog type)
Steering angle	30° right and left
Trim angle	– 4° to 16° (when Transom angle at 12°)
Tilt up angle	68° (when Transom angle at 12°)
Transom angle	8°, 12°, 16°, 20°, 24°

* With propeller

Honda outboard motors are power rated in accordance with NMMA procedures and using the ICOMIA standard 28/23.

TECHNICAL INFORMATION

BF75D/BF90D Tune up

Spark plug gap (do not adjust)	0.039–0.051 in (1.0–1.3 mm)	See page 93
Idle speed	750 ± 50 rpm	See shop manual
Valve clearance (cold)	Intake: 0.17 ± 0.02 mm Exhaust: 0.28 ± 0.02 mm	See shop manual
Other specifications	No other adjustment is needed	

CONSUMER INFORMATION

Honda Publications (United States, Puerto Rico, and U.S. Virgin Islands)

These publications will give you additional information for maintaining and repairing your outboard motor.

Shop Manual

This manual covers complete maintenance and overhaul procedures. It is intended to be used by a skilled technician.

Available through your Honda Marine dealer or through Helm Inc. at
1 888-292-5395 or
visit www.Honda-marine.com
and click on OWNERS'
RESOURCES.

Parts Catalog

This manual provides complete, illustrated parts lists. The catalog is available through your Honda Marine dealer.

Accessory Catalog

Your authorized Honda Marine dealer offers a wide selection of accessories (optional equipment, oils, and lubricants) to enhance your boating experience.

Visit www.honda-marine.com and click on PARTS & ACCESSORIES to see the entire catalog of accessories.

Customer Service Information

Contacting Honda

Your Owner's Manual was written to cover most of the questions you might ask about your Honda. Any questions not answered in the Owner's Manual can be answered by your Honda dealer. If your dealer doesn't have an immediate answer, they should be able to get it for you.

If you have a difference of opinion with your dealer, please remember that each dealership is independently owned and operated. That's why it's important to work to resolve any

differences at the dealership level. If the service personnel are unable to assist you, please discuss your concerns with the dealer management such as the Service Manager or the dealership's owner.

If you need to contact Honda regarding your experiences with your Honda product or with your dealer, please contact the Honda office in your region:

American Honda Motor Co., Inc.

Marine Division

Customer Relations Office

4900 Marconi Drive

Alpharetta, GA 30005-8847

Telephone (770) 497-6400

M-F 8:30 am-7:00 pm (Eastern Time Zone)

Honda Canada Inc.

Customer Relations Office

180 Honda Boulevard

Markham, Ontario L6 0H9

Tel: 1-888-946-6329 (Toll free)

Fax: 1-877-939-0909 (Toll free)

Please include the following information in your communication:

- Your name, address and telephone number (complete with area code)
- Model and complete serial number
- Date of purchase
- Name and location of selling dealer
- Name and location of servicing dealer (if different)
- A detailed description of your concerns

Warranty Coverage

Your new Honda is covered by the following warranties:

- Distributor's Limited Warranty
- Emission Control System Warranty

Please read the warranty statements contained in this manual. There are responsibilities, restrictions, and exclusions that apply to these warranties.

To obtain warranty service you must take your Honda outboard motor, together with proof of original retail purchase date, at your expense, to a Honda engine dealer or distributor authorized to sell that product in the United States, Puerto Rico, the U.S. Virgin Islands or Canada.

It is important to realize that your warranty applies to defects in material or workmanship of your Honda. Your warranty coverage does not apply to normal wear or

deterioration associated with using your Honda outboard motor.

Your warranty coverage will not be voided if you choose to perform your own maintenance. However, you should have the proper tools and service information and be mechanically qualified. Failures that occur due to modifications, improper maintenance, or service are not covered.

CONSUMER INFORMATION

Warranty Service

Please remember that recommended maintenance interval servicing is not included in your warranty coverage. Additionally, your warranty does not apply to the normal wear of items (such as spark plug(s), water pump, etc.).

As the owner of a Honda product, your servicing dealer may ask you to authorize an inspection. If the problem is covered under warranty, your dealer will perform any warranty repairs for you at no cost. However, you may be responsible for additional non-warranty charges.

If you have questions about warranty coverage or the nature of the repair, it is best to talk to the service manager of your Honda dealer.

Sometimes, in spite of the best intentions of all concerned, a misunderstanding may occur. If you aren't satisfied with your dealer's

handling of the situation, we suggest you discuss your problem with the appropriate member of the dealership's management team. If the problem has already been reviewed with the appropriate manager of the Service, Parts, or Sales department, contact the owner of the dealership or their designated representative.

Warranty Statements

The American Honda Distributor’s Limited Warranty applies to outboards purchased in the United States, Puerto Rico, or the U.S. Virgin Islands. The Honda Canada Distributor’s Warranty applies to outboards purchased in Canada. The product warranty is only valid in the country where the product was purchased.

United states, Puerto Rico and Virgin Islands

Distributor’s Limited Warranty

This warranty is limited to Honda Outboard Motors and related original equipment distributed by American Honda Motor Co., Inc., Power Equipment Division, 4900 Marconi Drive, Alpharetta, Georgia 30005-8847.

Products Covered by Warranty:	Length of Warranty: (from date of original retail purchase)		
	NONCOMMERCIAL/ NONRENTAL	COMMERCIAL/RENTAL	STATE/LOCAL/FEDERAL GOVERNMENT
All models purchased before July 1, 2008 ⁽¹⁾⁽²⁾	36 months	12 months	24 months
All Models purchased on or after July 1, 2008 ⁽²⁾	60 months	12 months	24 months
Related original equipment items: BF2 through BF30 models: Portable fuel tank and original propeller. All models: Primer bulb/fuel line assembly and tiller handle.	The same duration as the outboard with which they were purchased.		

(1) Models purchased prior to July 1, 2008 (unless previously purchased with True-5 warranty from a participating dealer).

(2) 35, 65, & 105 Jet models: Jet pump assembly is a dealer installed option. Jet pump warranty is provided by Specialty Manufacturing Co. (Outboard Jets).

CONSUMER INFORMATION

To Qualify for This Warranty:

The Honda Outboard Motor must be purchased from American Honda or a dealer authorized by American Honda to sell Honda Outboard Motors in the United States, Puerto Rico, or the U.S. Virgin Islands. This limited warranty applies to the first retail purchaser and each subsequent owner during the applicable warranty time period.

What American Honda Will Repair or Replace Under Warranty:

American Honda will repair or replace, at its option, any part that is proven to be defective in material or workmanship under normal use during the applicable warranty time period. Warranty repairs and replacements will be made without charge for parts or labor. Anything replaced under warranty becomes the property of American Honda Motor Company, Inc.

All parts replaced under warranty will be considered as part of the original product and any warranty on those parts will expire coincidentally with the original product warranty.

To Obtain Warranty Service:

You must, at your expense, take your Honda Outboard Motor and proof of the original purchase date to any dealer who is authorized to service Honda Outboard Motors in the United States, Puerto Rico, or the U.S. Virgin Islands, during the dealer's normal business hours. If you are unable to obtain warranty service, or are dissatisfied with the warranty service you receive, take the following steps: First, contact the owner of the dealership involved; normally this should resolve the problem. However, if you should require further assistance, write or call the Honda Marine Customer Relations. Please see *Contacting Honda* page 138 .

Exclusions:

This warranty does not extend to the following:

- Conditions caused by lack of routine maintenance or improper storage (as outlined in the Owner's Manual)
- Conditions caused by the use of propeller (s) that do not allow the outboard motor to run in its recommended full throttle rpm range
- Operation inconsistent with the recommended operation/duty cycle (as outlined in the Owner's Manual)
- Parts affected or damaged by an abuse, submersion and/or collision
- Normal wear and tear
- Fuel contamination and water entering engine through the fuel intake, air intake or exhaust system
- Operation with fuels, oils, additives and lubricants which are not suitable for use in the product
- Use in an application for which the outboard motor was not designed, such as racing or competitive use or any other misuse or neglect
- Incorporation of unsuitable attachments or parts
- The unauthorized alteration, improper installation and/or rigging, or any causes other than defects in material or workmanship
- Corrosion to steering system or electrical components, corrosion due to electrolysis, water born foreign chemicals, improper service or corrosion caused by damage or abuse

- Reimbursement for towing charges, in and out of water charges, or technician travel time
- Growth of marine organisms on outboard motor surfaces, external or internal
- Any product that has ever been declared a total loss or sold for salvage by a financial institution or insurer, or that has been issued a "salvage" or similar title under any state's law.

Disclaimer of consequential damage and limitation of implied warranties:

American Honda disclaims any responsibility for loss of time or use of the outboard, revenue, or the equipment in which the outboard is installed, transportation, commercial loss, or any other incidental or consequential damage. Any implied warranties are limited to the duration of this written limited warranty.

Some states do not allow limitations on how long an implied warranty lasts and/or do not allow the exclusion or limitation of incidental or consequential damages, so the above exclusions and limitations may not apply to you. This warranty gives you specific legal rights, and you may also have other rights which vary from state to state.

CONSUMER INFORMATION

Accessories and Replacement Parts

This warranty is limited to Honda Marine parts, accessories and apparel when distributed by American Honda Motor Co., Inc., 1919 Torrance Blvd., Torrance, California 90501-2746.

Products Covered by Warranty:	Length of Warranty: (from date of original retail purchase)		
	Non Commercial	Commercial/Rental	Local/State/Federal Government
Accessories other than noted below	12 months	3 months	3 months
Emission related accessories: Portable fuel tanks, fuel line assemblies, and water/fuel separators	24 months	24 months	24 months
Replacement Parts	6 months	3 months	3 months

To Qualify for This Warranty:

1. The accessories or replacement parts must be purchased from American Honda or a dealer, distributor, or distributor's dealer authorized by American Honda to sell those products in the United States, Puerto Rico, and the U.S. Virgin Islands. Parts and Accessories must be purchased for installation on original Honda equipment or engines to be eligible for warranty coverage. Installing parts and accessories on non-Honda products or engines voids this warranty.
2. You must be the first retail purchaser. This warranty is not transferable to subsequent owners.

What American Honda Will Repair or Replace Under Warranty:

American Honda will repair or replace, at its option, any

marine product accessories or replacement parts that are proven to be defective in material or workmanship under normal use during the applicable warranty time period. Anything replaced under warranty becomes the property of American Honda Motor Company, Inc. All parts replaced under warranty will be considered as part of the original product and any warranty on those parts will expire coincidentally with the original product warranty.

Accessories and replacement parts, installed by a dealer who is authorized by American Honda to sell them, will be repaired or replaced under warranty without charge for parts or labor. If installed by anyone else, accessories and replacement parts will be repaired or replaced under warranty without charge for parts, but any labor charges will be the responsibility of the purchaser.

To Obtain Warranty Service:

You must, at your expense, take the Honda Outboard Motor product accessory or replacement part or the outboard motor or boat on which the accessory or replacement part is installed, and proof of purchase to any Honda Marine authorized service facility or dealer in the United States, Puerto Rico, or the U.S. Virgin Islands, during normal business hours.

Exclusions:

This warranty does not extend to accessories or parts affected or damaged by collision, normal wear, use in an application for which the product was not designed or any other misuse, neglect, incorporation or use of unsuitable attachments or parts, unauthorized alteration, improper installation, or any causes other than defects in material or workmanship of the product.

Installing parts and accessories on non-Honda products or engines voids this warranty.

Disclaimer of consequential damage and limitation of implied warranties:

American Honda disclaims any responsibility for loss of time or use of the outboard motor, or the boat on which the product is installed, transportation, commercial loss, or any other incidental or consequential damage. Any implied warranties are limited to the duration of this written warranty. Some states do not allow limitations on

how long an implied warranty lasts and/or do not allow the exclusion or limitation of incidental or consequential damages, so the above exclusions and limitations may not apply to you. This warranty gives you specific legal rights, and you may also have other rights which vary from state to state.

CONSUMER INFORMATION

Emission Control System Warranty

Your new Honda outboard engine complies with both the U.S. EPA and State of California emission regulations. American Honda provides the same emission warranty coverage for outboard engines sold in all 50 states.

YOUR WARRANTY RIGHTS AND OBLIGATION

California

The California Air Resources Board and American Honda Motor Co., Inc. are pleased to explain the emission control system warranty on your 2001 and later Honda outboard engine. In California, new outboard engines must be designed, built, and equipped to meet California's stringent anti-smog emission standards in addition to the U.S. EPA emissions standards.

All States

In all areas of the United States your outboard engine must be designed, built, and equipped to meet the U.S. EPA Emission Standard for spark ignited marine engines. American Honda Motor Co., Inc. must warranty the emission control system on your outboard engine for the period of time listed below provided there has been no abuse, neglect, or improper maintenance of your outboard engine. Where a warranty condition exists, American Honda Motor Co., Inc. will repair your

outboard engine at no cost to you including diagnosis, parts and labor.

Your emission control system may include such parts as the carburetor or fuel injection system and catalytic converter. Also included may be hoses, connectors and other emission-related assemblies.

MANUFACTURER'S EMISSION CONTROL SYSTEM WARRANTY COVERAGE:

Your 2010 and later outboard engine is warranted for a minimum of five years or 250 hours of operation, whichever comes first, or the length of Honda Marine Distributor's Limited warranty, whichever is longer. However, warranty coverage based on the hourly period is only permitted for outboard engines equipped with appropriate hour meters. If any emission-related part on your outboard engine is defective under warranty, the part will be repaired or replaced by American Honda Motor Co., Inc.

OWNER'S WARRANTY RESPONSIBILITY:

As the outboard engine owner, you are responsible for the performance of the required maintenance listed in your owner's manual. American Honda Motor Co., Inc. recommends that you retain all receipts covering maintenance on your outboard engine, but American Honda Motor Co., Inc. cannot deny warranty solely for the lack of receipts or for your failure to ensure the performance of all scheduled maintenance.

As the outboard engine owner, you should, however, be aware that American Honda Motor Co., Inc. may deny you warranty coverage if your outboard engine or a part has failed due to abuse, neglect, improper maintenance, or unapproved modifications.

You are responsible for presenting your outboard engine to a Honda Marine dealer as soon as a problem exists. The warranty repair should be completed in a reasonable amount of time, not to exceed 30 days.

If you have any questions regarding your warranty rights and responsibilities, you should contact American Honda Motor Co., Inc., Marine Division Customer Relations Office. Please see *Contacting Honda* page 138 .

WARRANTY COVERAGE:

Honda outboard engines certified to the CARB and EPA 2010 regulations are covered by this warranty for a minimum of five years or 250 hours of operation, whichever comes first, or the length of the Honda Marine Distributor's Limited warranty, whichever is longer from the date of delivery to the retail purchaser. This warranty is transferred to each subsequent purchaser for the duration of the warranty period.

Warranty repairs will be made without charge for diagnosis, parts and labor. All defective parts replaced under this warranty become the property of American Honda Motor Co., Inc. A list of warranty parts is on page 149 . Normal maintenance items, such as spark plugs and filters, that are on the warranted parts list are warranted up to their required replacement interval only.

American Honda Motor Co., Inc. is also liable for damages to other engine components caused by a failure of any warranted part during the warranty period. Only Honda approved replacement parts will be used in the performance of any warranty repairs and they will be provided without charge to the owner. The use of replacement parts not equivalent to the original parts may impair the effectiveness of your engine's emission control system. If such a replacement part is used in the repair or maintenance of your engine, and an authorized Honda Marine dealer determines it is defective or causes a failure of a warranted part, your claim for your engine

CONSUMER INFORMATION

may be denied. If the part in question is not related to the reason that your engine requires repair, your claim will not be denied.

TO OBTAIN WARRANTY SERVICE:

You must take your Honda outboard engine, along with your sales registration card or other proof of original purchase date, at your expense, to any Honda Marine dealer who is authorized by American Honda Motor Co., Inc. to sell and service that Honda Marine product during his normal business hours. Claims for repair or adjustment found to be caused solely by defects in material or workmanship will not be denied because the engine was not properly maintained and used.

If you are unable to obtain warranty service, or are dissatisfied with the warranty service you received, contact the owner of the dealership involved. Normally this should resolve your problem. However, if you require further assistance, write or call the Honda Marine Customer Relations Office of American Honda Motor Co., Inc.

EXCLUSIONS:

Failures other than those resulting from defects in material or workmanship are not covered by this warranty. This warranty does not extend to emission control systems or parts which are affected or damaged by owner abuse, neglect, improper maintenance, misuse, misfueling, improper storage, and/or collision, the incorporation of, or use of, unsuitable attachments, or the unauthorized alteration of any part.

This warranty does not cover replacement of expendable maintenance items made in connection with required maintenance service after the item's first scheduled replacement as listed in the maintenance section of the product owner's manual, such as: spark plugs and filters.

DISCLAIMER OF CONSEQUENTIAL DAMAGE AND LIMITATION OF IMPLIED WARRANTIES:

American Honda Motor Co., Inc. disclaims any responsibility for incidental or consequential damages such as loss of time or the use of outboard engine, or any commercial loss due to the failure of the equipment; and any implied warranties are limited to the duration of this written warranty. This warranty is applicable only where the California or U.S. EPA emission control system warranty regulation is in effect.

CONSUMER INFORMATION

EMISSION CONTROL SYSTEM WARRANTY PARTS:

SYSTEMS COVERED BY THIS WARRANTY:	PARTS DESCRIPTION
Fuel Metering	Carburetor assembly, Throttle body, Fuel injector, Fuel pump, Fuel pressure regulator, Throttle position sensor, Intake air temperature sensor, Engine temperature sensor, Manifold absolute pressure sensor, Idle air control valve, Barometric pressure sensor, Fuel line solenoid valve, Intake manifold, Intake valves, and Oxygen sensor or Air fuel ratio sensor
Evaporative	Portable fuel tank, Fuel cap, Fuel hoses, Primer bulb, Fuel hose joint
Air Induction	Air intake duct, Vapor separator, Intake manifold tuning valve (Intake air bypass control valve)
Ignition	Flywheel magneto, Ignition pulse generator, Ignition coil assembly, Ignition control module, Engine control module, Crankshaft position sensor, Spark plug cap, Spark plug*, Knock sensor, and Camshaft position sensor
Lubrication system	Oil pump and internal parts
Crankcase Emission Control	Crankcase breather tube, Positive crankcase ventilation valve, Oil filler cap
Exhaust	Exhaust manifold and Exhaust valves
Valve Control System	Rocker arm oil control valve
Miscellaneous Parts	Tubing, fittings, seals, gaskets, and clamps associated with these listed systems.
*Covered up to the first required replacement only. See the Maintenance Schedule on pages 84 and 85.	

CONSUMER INFORMATION

Canada

Distributor's Warranty

HONDA CANADA INC., for and on behalf of Honda Motor Co. Ltd., Tokyo, Japan, gives the following written warranty on each new marine product manufactured by Honda Motor Co. Ltd., Japan, distributed in Canada by Honda Canada Inc. and sold by authorized Honda Marine dealers.

Whenever used herein, the word "Honda" refers to Honda Canada Inc. and/or Honda Motor Co. Ltd., as appropriate from the context.

HONDA WARRANTS THAT each new Honda marine product will be free, under normal use and maintenance, from any defects in material or workmanship for the relevant warranty period set forth below. If any defects should be found in a Honda marine product within the relevant warranty period, necessary repairs and replacements with a new part or the Honda equivalent shall be made at no cost to the consumer for parts and labour, when Honda acknowledges that such defects are attributable to faulty material or workmanship at the time of manufacture.

WARRANTY PERIOD RETAILED ON OR AFTER APRIL 1, 2005:

	Non-commercial use	Commercial use
All Honda Outboard Models	36 Months	12 Months

THIS WARRANTY COVERS

- a) Any Honda marine product purchased in Canada from an authorized Honda dealer which has been registered at the time of purchase on a form provided by Honda, which has had set-up and pre-delivery service performed by an authorized Honda dealer and which is normally operated in Canada;
- b) Any factory installed part (except normal maintenance parts referred to in "THIS WARRANTY DOES NOT COVER"); and
- c) Any marine product on which required maintenance services have been performed as prescribed in the Owner's Manual.

THIS WARRANTY DOES NOT COVER

- a) Any repairs required as a result of collision, accident, striking any object, misuse or lack of required maintenance;
- b) Any repairs required as a result of any attachments, parts or devices installed by or repairs done by a party other than an authorized Honda dealer;
- c) Any outboard that has been operated out of water, (Run Dry) damaging the water pump and or engine components due to insufficient cooling water.
- d) Any marine products modified, altered, disassembled or remodelled;
- e) Normal maintenance services, including tightening of nuts, bolts and fittings and engine tune-up and the replacement of parts made in connection with normal maintenance services including filters, spark plugs and wires, fuses, belts, lubricants and other expendables susceptible to natural wear;
- f) Outboard propeller or shear pin.
- g) All accessories or attachments.

THE OWNER'S OBLIGATION

In order to maintain the validity of this DISTRIBUTORS WARRANTY, the required maintenance services as set forth in the Owner's Manual must be performed at the proper intervals and detailed receipts and records retained as proof.

TO OBTAIN WARRANTY SERVICE

You must take your Honda marine product, at your expense, during normal service hours, to any authorized Honda Marine dealership. If you are unable to obtain or are dissatisfied with the warranty service you receive, first contact the owner of the dealership involved; this should resolve the problem. If you require further assistance, contact Honda Canada's Customer Relations Department at:

HONDA CANADA INC.
Customer Relations Office
180 Honda Boulevard
Markham, Ontario L6 0H9

TELEPHONE: 1-888-946-6329 TOLL FREE
FAX : 1-877-939-0909 TOLL FREE

CONSUMER INFORMATION

REPLACEMENT PARTS AND ACCESSORY WARRANTY

New genuine Honda replacement parts or accessories sold to a consumer or installed by an authorized Honda Marine dealer which are not covered by the DISTRIBUTORS WARRANTY are warranted for a period of one year from date of purchase, provided, however, that this Replacement Parts and Accessory Warranty does not apply to any replacement parts modified, used with, or installed on a marine product for which the replacement parts were not intended. Electrical components that are not installed by the dealer (sold over the counter) are not covered by warranty.

ENTIRE WRITTEN WARRANTY

This DISTRIBUTORS WARRANTY and the REPLACEMENT PARTS AND ACCESSORY WARRANTY are the only and the entire written warranties given by Honda for Marine engines. No dealer or his agent or employee is authorized to extend or enlarge on these warranties on behalf of Honda by any written or verbal statement or advertisement.

DISCLAIMER

To the extent the law permits, Honda disclaims any responsibility for loss of time or use of the product, transportation or towing costs or any other indirect, incidental or consequential damage, inconvenience or commercial loss.

NOTICE TO CONSUMER

The provisions contained in these written warranties are not intended to limit, modify, take away from, disclaim or exclude any warranties set forth in or the operation of The Consumer Products Warranties Act, 1977 (Saskatchewan), The Consumer Product Warranty and Liability Act (New Brunswick), The Consumer Protection Act (Quebec), or any other similar provincial or federal legislation.

INDEX

Alternator (ACG) Indicator.....	41	Electric Starter Will Not Operate.....	121
Anodes.....	47	EMERGENCY	
Replacement.....	107	STARTER ROPE.....	83
ARE YOU READY TO GET UNDERWAY?.....	48	STARTING.....	66
Battery.....	130	Emergency Stop Switch Clip and Emergency Stop	
Will Not Charge.....	121	Switch	
BEFORE OPERATION.....	48	LHT Type.....	22
BREAK-IN PROCEDURE.....	51	LRT and XRT Types	
Common Controls.....	36	Panel-Mount Type.....	29
COMPONENT AND CONTROL LOCATIONS.....	14	Side-Mount Type.....	25
CONSUMER INFORMATION.....	138	Top-Mount Type.....	32
CONTROL AND FEATURE IDENTIFICATION		Emission Control System Information.....	130
CODES.....	13	Emission Control System Warranty.....	146
CONTROLS.....	22	Engine	
CONTROLS AND FEATURES.....	13	Cover	
Cooling System Indicator.....	44	Latch (front/rear).....	38
CRUISING.....	76	REMOVAL AND INSTALLATION.....	87
Customer Service Information.....	138	Oil	
Digital Speedometer [optional equipment		Change.....	89
(LRT and XRT types)].....	40	Filter Change.....	90
Digital Tachometer [optional equipment		Level Check.....	88
(LRT and XRT types)].....	39	Recommendations.....	91
Distributor's Limited Warranty.....	141	OVERHEATS.....	120
Distributor's Warranty.....	150	WILL NOT START.....	116

INDEX

Fast Idle Button		
Panel-Mount Type.....	31	
Top-Mount Type.....	35	
Fast Idle Lever.....	27	
Fuel		
Filler Cap Vent Knob		
[standard equipment (Canadian LHTC type)],		
[optional equipment (other types)]	46	
Filter Inspection and Replacement.....	103	
Gauge		
[standard equipment (Canadian LHTC type)],		
[optional equipment (other types)]	40	
HOSE CONNECTIONS	52	
PRIMING	54	
Priming Bulb	46	
RECOMMENDATIONS	99	
Fuse Replacement	121	
FUSES.....	121	
Gearshift Lever (LHT Type).....	24	
Gearshift/Throttle Control Lever		
(LRT and XRT Types)		
Panel-Mount Type.....	30	
Side-Mount Type	26	
Top-Mount Type	33	
GEARSHIFT AND THROTTLE OPERATION	72	
HARD STARTING OR STALLS AFTER		
STARTING	119	
HOISTING THE OUTBOARD MOTOR.....	113	
Honda Publications	138	
Ignition Switch		
LHT Type.....	22	
LRT and XRT Types		
Panel-Mount Type.....	28	
Side-Mount Type	25	
Top-Mount Type.....	32	
IMPORTANT SAFETY INFORMATION.....	7	
INDICATORS.....	41	
INFREQUENT OR OCCASIONAL USE	54	
INSTRUMENTS.....	39	
IS YOUR OUTBOARD MOTOR		
READY TO GO?	48	
Lubrication Points	95	
MAINTENANCE SAFETY	82	
MAINTENANCE SCHEDULE	84	
Malfunction Indicator	42	
MANUAL RELIEF VALVE.....	37, 87	
MOORING, BEACHING, LAUNCHING.....	79	

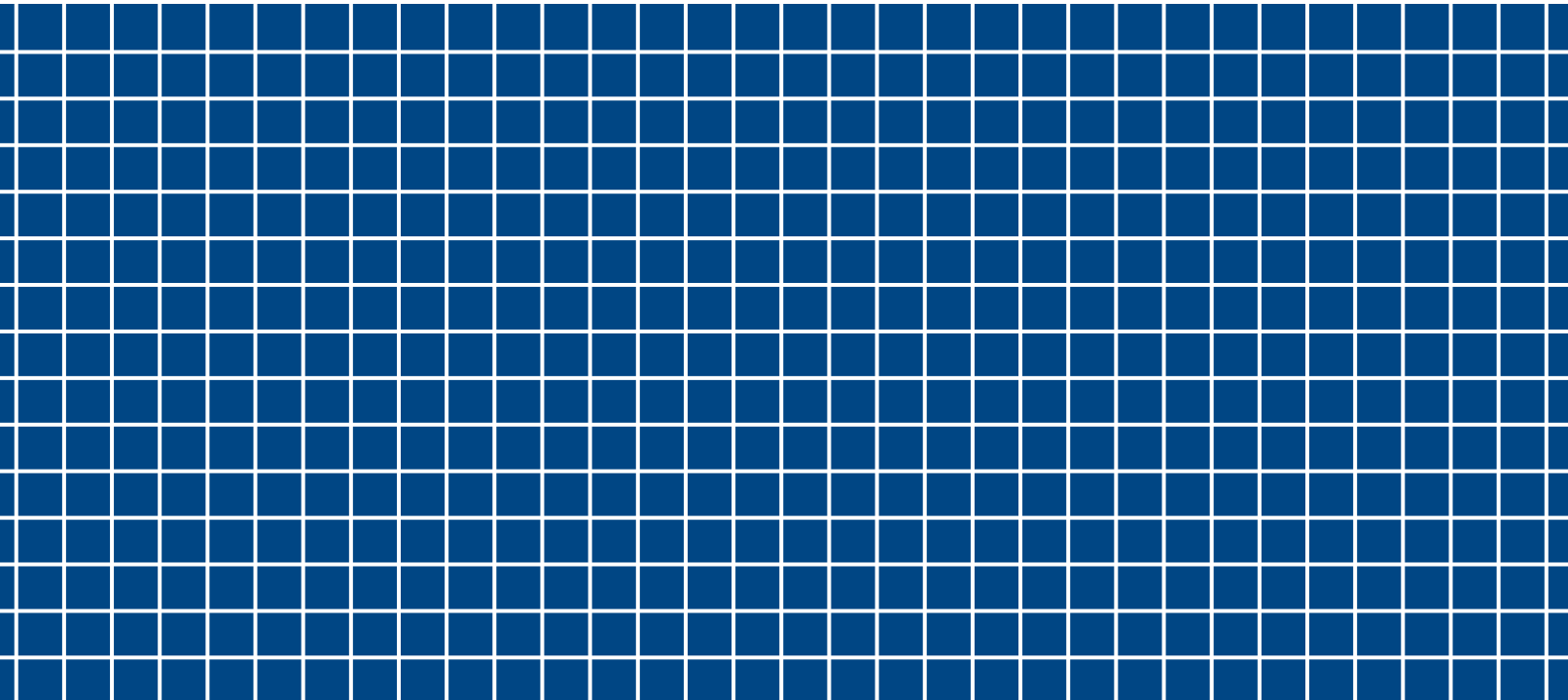
Oil Pressure Indicator.....	42	SAFE OPERATING PRECAUTIONS	51
OIL PRESSURE INDICATOR GOES OFF AND		SAFETY LABEL LOCATION	9
ENGINE SPEED IS LIMITED	123	Serial Number Locations.....	129
OPERATION	51	SERVICING YOUR OUTBOARD MOTOR.....	81
OTHER FEATURES	45	SHALLOW WATER OPERATION.....	78
OUTBOARD MOTOR SAFETY.....	7	Spark Plug Service	92
Overheat Indicator.....	43	Specifications	135
OVERHEAT INDICATOR COMES ON AND		Star Label	133
ENGINE SPEED IS LIMITED	124	STARTING THE ENGINE	55
Overrev Limiter.....	45	LHT Type.....	55
		LRT and XRT Types	
PORTABLE FUEL TANK		Panel-Mount Type.....	61
[standard equipment (Canadian LHTC type)],		Side-Mount Type	58
[optional equipment (other types)]	45, 52	Top-Mount Type	63
and Tank Filter Cleaning		Steering Friction Knob (LHT Type).....	24
[standard equipment (Canadian LHTC type)],		STEERING.....	75
[optional equipment (other types)]	106	STOPPING THE ENGINE.....	69
Power Tilt Switch.....	37	Emergency Engine Stopping.....	69
Power Trim/Tilt Switch	36	Normal Engine Stopping.....	70
Propeller Replacement	107	STORAGE	111
		Engine oil	113
REFUELING.....	97	Fuel.....	111
REMOVAL FROM STORAGE.....	114	STORAGE PRECAUTIONS	113
		SUBMERGED OUTBOARD MOTOR.....	127

INDEX

Tachometer	
[standard equipment (LHTC, LRTC and XRTC types)], [optional equipment (LRTA and XRTA types)].....	39
TAKING CARE OF UNEXPECTED PROBLEMS...	116
TECHNICAL INFORMATION.....	129
THE IMPORTANCE OF MAINTENANCE.....	81
Throttle	
Friction Adjuster (LHT Type).....	24
Grip (LHT Type).....	23
Tiller Handle Height/Angle Adjustment (LHT Type)...	50
Tilt Lock Lever.....	38
TOOL KIT and OWNER'S MANUAL.....	83
TRANSPORTING	115
WITH OUTBOARD MOTOR INSTALLED	
ON BOAT	115
WITH OUTBOARD MOTOR REMOVED	
FROM BOAT	115
Trim Meter	
[standard equipment (LHTC, LRTC and XRTC types)], [optional equipment (LRTA and XRTA types)].....	39
Trim Tab.....	38
TRIM TAB ADJUSTMENT	86
Warranty Statements	141
Water Separator Buzzer	45
WATER SEPARATOR BUZZER SOUNDS	126
WATER SEPARATOR INDICATOR.....	126
Water Separator Inspection and Service	100

HONDA

The Power of Dreams



31ZY9620
00X31-ZY9-6200



(AH) 英 © (HC) 600.2011.04
Printed in Japan