

## 2003 Accord Sedan Online Reference Owner's Manual

Use these links (and links throughout this manual) to navigate through this reference.  
For a printed owner's manual, click on authorized manuals or go to [www.helminc.com](http://www.helminc.com).

## Contents

---

### Owner's Identification Form

<b>Introduction</b> .....	<b>i</b>
<b>A Few Words About Safety</b> .....	<b>ii</b>
<b>Your Car at a Glance</b> .....	<b>2</b>
<b>Driver and Passenger Safety</b> .....	<b>5</b>
Proper use and care of your car's seat belts, and Supplemental Restraint System.	
<b>Instruments and Controls</b> .....	<b>55</b>
Instrument panel indicator and gauge, and how to use dashboard and steering column controls.	
<b>Comfort and Convenience Features</b> .....	<b>111</b>
How to operate the climate control system, the audio system, and other convenience features.	
<b>Before Driving</b> .....	<b>203</b>
What gasoline to use, how to break-in your new car, and how to load luggage and other cargo.	
<b>Driving</b> .....	<b>217</b>
The proper way to start the engine, shift the transmission, and park, plus towing a trailer.	
<b>Maintenance</b> .....	<b>245</b>
The Maintenance Schedule shows you when you need to take your car to the dealer.	
<b>Appearance Care</b> .....	<b>325</b>
Tips on cleaning and protecting your car. Things to look for if your car ever needs body repairs.	
<b>Taking Care of the Unexpected</b> .....	<b>333</b>
This section covers several problems motorists sometimes experience, and how to handle them.	
<b>Technical Information</b> .....	<b>361</b>
ID numbers, dimensions, capacities, and technical information.	
<b>Warranty and Customer Relations (U.S. and Canada)</b> .....	<b>377</b>
A summary of the warranties covering your new Honda, and how to contact us.	
<b>Authorized Manuals (U.S. only)</b> .....	<b>381</b>
How to order manuals and other technical literature.	
<b>Index</b> .....	<b>I</b>
<b>Service Information Summary</b>	
A summary of information you need when you pull up to the fuel pump.	

## Owner's Identification

---

OWNER \_\_\_\_\_  
\_\_\_\_\_

ADDRESS \_\_\_\_\_  
STREET

\_\_\_\_\_ CITY

STATE/PROVINCE

ZIP CODE/  
POSTAL CODE

V. I. N. \_\_\_\_\_

DELIVERY DATE \_\_\_\_\_  
(Date sold to original retail purchaser)

DEALER NAME \_\_\_\_\_ DEALER NO. \_\_\_\_\_

ADDRESS \_\_\_\_\_  
STREET

\_\_\_\_\_ CITY

STATE/PROVINCE

ZIP CODE/  
POSTAL CODE

OWNER'S SIGNATURE \_\_\_\_\_

DEALER'S SIGNATURE \_\_\_\_\_

This Owner's Manual should be considered a permanent part of the car, and should remain with the car when it is sold.

This Owner's Manual covers all models of the Accord Sedan. You may find descriptions of equipment and features that are not on your particular model.

The information and specifications included in this publication were in effect at the time of approval for printing. Honda Motor Co., Ltd. reserves the right, however, to discontinue or change specifications or design at any time without notice and without incurring any obligation whatsoever.

**POUR CLIENTS CANADIEN**  
**AVIS IMPORTANT: Si vous avez**  
**besoin d'un Manuel du Conducteur en**  
**français, veuillez demander à votre**  
**concessionnaire de commander le**  
**numéro de pièce 33SDAC00 .**

Congratulations! Your selection of a 2003 Honda Accord was a wise investment. It will give you years of driving pleasure.

One of the best ways to enhance the enjoyment of your new Honda is to read this manual. In it, you will learn how to operate its driving controls and convenience items. Afterwards, keep this owner's manual in your car so you can refer to it at any time.

Several warranties protect your new Honda. Read the warranty booklet thoroughly so you understand the coverages and are aware of your rights and responsibilities.

Maintaining your car according to the schedules given in this manual helps to keep your driving trouble-free while it preserves your investment. When your car needs maintenance, keep in mind that your Honda dealer's staff is specially trained in servicing the many systems unique to your Honda. Your Honda dealer is dedicated to your satisfaction and will be pleased to answer any questions and concerns.

## California Proposition 65 Warning

**WARNING:** This product contains or emits chemicals known to the State of California to cause cancer and birth defects or other reproductive harm.

As you read this manual, you will find information that is preceded by a **NOTICE** symbol. This information is intended to help you avoid damage to your Honda, other property, or the environment.

## A Few Words About Safety


---

Your safety, and the safety of others, is very important. And operating this car safely is an important responsibility.

To help you make informed decisions about safety, we have provided operating procedures and other information on labels and in this manual. This information alerts you to potential hazards that could hurt you or others.

Of course, it is not practical or possible to warn you about all the hazards associated with operating or maintaining your car. You must use your own good judgement.

You will find this important safety information in a variety of forms, including:

- **Safety Labels** — on the car.
- **Safety Messages** — preceded by a safety alert symbol  and one of three signal words: **DANGER**, **WARNING**, or **CAUTION**.  
These signal words mean:

 **DANGER**

You **WILL** be **KILLED** or **SERIOUSLY HURT** if you don't follow instructions.

 **WARNING**

You **CAN** be **KILLED** or **SERIOUSLY HURT** if you don't follow instructions.

 **CAUTION**

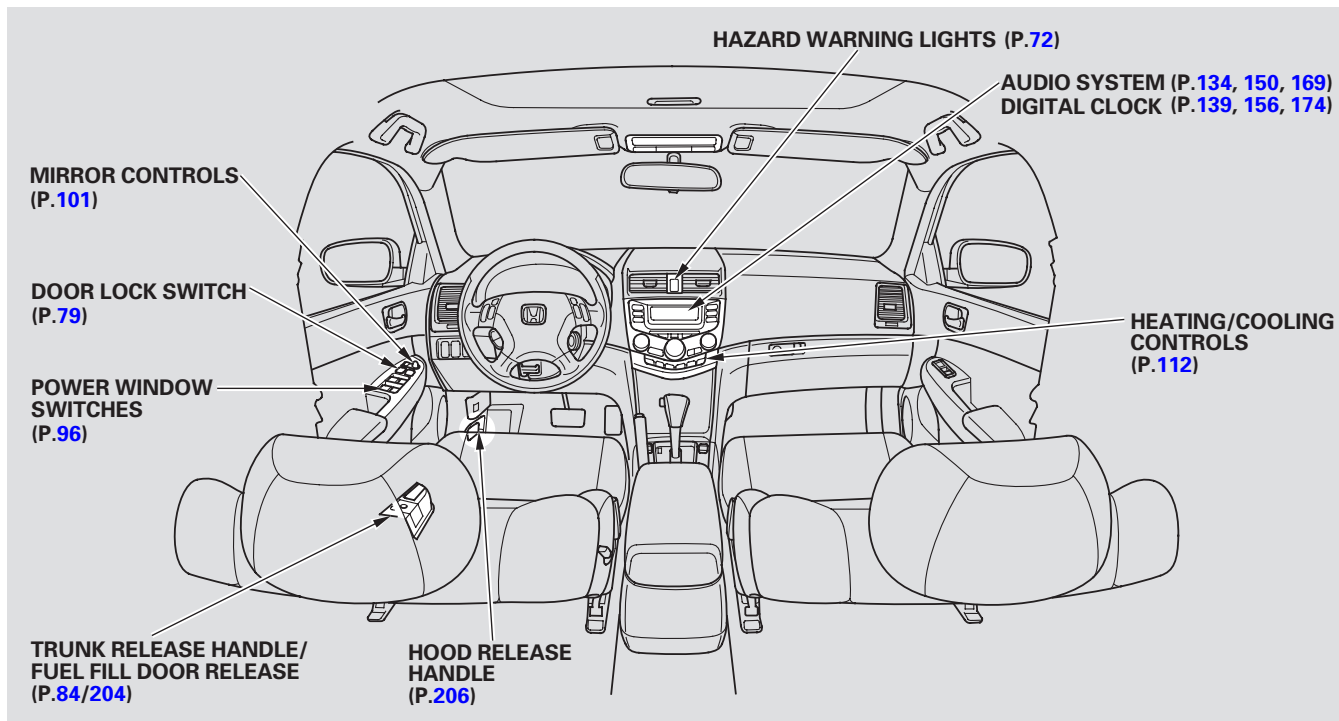
You **CAN** be **HURT** if you don't follow instructions.

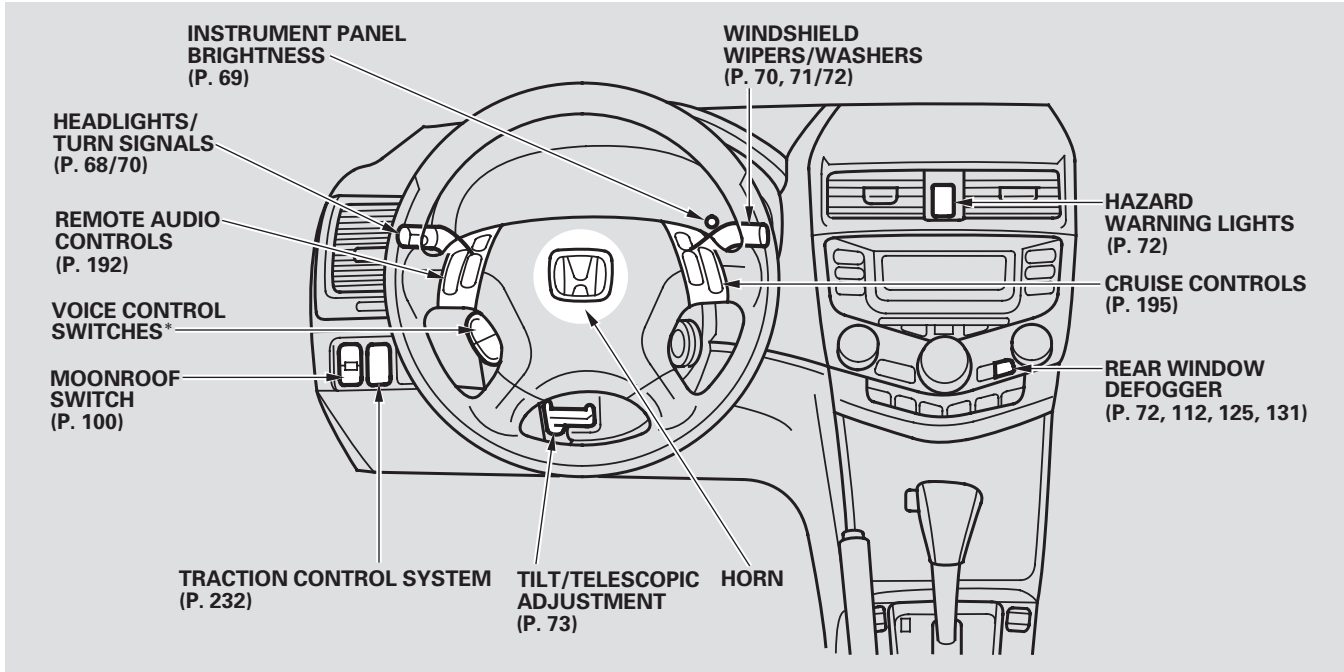
- **Safety Headings** — such as Important Safety Reminders or Important Safety Precautions.
- **Safety Section** — such as Driver and Passenger Safety.
- **Instructions** — how to use this car correctly and safely.

This entire book is filled with important safety information — please read it carefully.

## Your Car at a Glance

---





\* : Only on cars equipped with Navigation System. Refer to the Navigation System Owner's Manual.



This section gives you important information about how to protect yourself and your passengers. It shows you how to use seat belts properly. It explains your Supplemental Restraint System. And it tells you how to properly restrain infants and children in your car.

Important Safety Precautions .....	6
Your Car's Safety Features .....	7
Seat Belts .....	8
Airbags .....	9
Seats and Seat-Backs .....	10
Head Restraints .....	11
Door Locks .....	11
Pre-Drive Safety Checklist .....	11
Protecting Adults .....	12
1. Close and Lock the Doors .....	12
2. Adjust the Front Seats .....	13

3. Adjust the Seat-Backs .....	14
4. Adjust the Head Restraints ....	15
5. Fasten and Position the Seat Belts .....	15
6. Adjust the Steering Wheel .....	18
7. Maintain a Proper Sitting Position .....	18
Advice for Pregnant Women .....	19
Additional Safety Precautions .....	20
Protecting Children .....	21
All Children Must Be Restrained .....	21
Children Should Sit in the Back Seat .....	22
The Passenger's Front Airbag Poses Serious Risks to Children .....	22
If You Must Drive with Several Children .....	24
If a Child Requires Close Attention .....	25
Additional Safety Precautions .....	25
General Guidelines for Using Child Seats .....	26
Protecting Infants .....	30
Protecting Small Children .....	33

Protecting Larger Children .....	36
Using Child Seats with Tethers .....	39
Using LATCH .....	40
Additional Information About Your Seat Belts .....	42
Seat Belt System Components .....	42
Lap/Shoulder Belt .....	42
Automatic Seat Belt Tensioners .....	43
Seat Belt Maintenance .....	44
Additional Information About Your Airbags .....	45
SRS Components .....	45
How Your Front Airbags Work .....	45
How Your Side Airbags Work .....	47
How Your Side Curtain Airbags Work .....	48
How the SRS Indicator Works .....	48
How the Side Airbag Cutoff Indicator Light Works .....	49
Airbag Service .....	51
Additional Safety Precautions .....	51
Carbon Monoxide Hazard .....	52
Safety Labels .....	53



## Important Safety Precautions

---

You'll find many safety recommendations throughout this section, and throughout this manual. The recommendations on this page are the ones we consider to be the most important.

### **Always Wear Your Seat Belt**

A seat belt is your best protection in all types of collisions. Airbags supplement seat belts, but airbags are designed to inflate only in a moderate to severe frontal collision. So even though your car is equipped with airbags, make sure you and your passengers always wear your seat belts, and wear them properly. (See page [15](#).)

### **Restrain All Children**

Children are safest when they are properly restrained in the back seat, not the front seat. A child who is too small for a seat belt must be properly restrained in a child safety seat. (See page [21](#).)

### **Be Aware of Airbag Hazards**

While airbags can save lives, they can cause serious or fatal injuries to occupants who sit too close to them, or are not properly restrained. Infants, young children, and short adults are at the greatest risk. Be sure to follow all instructions and warnings in this manual. (See page [7](#).)

### **Don't Drink and Drive**

Alcohol and driving don't mix. Even one drink can reduce your ability to respond to changing conditions, and your reaction time gets worse with every additional drink. So don't drink and drive, and don't let your friends drink and drive, either.

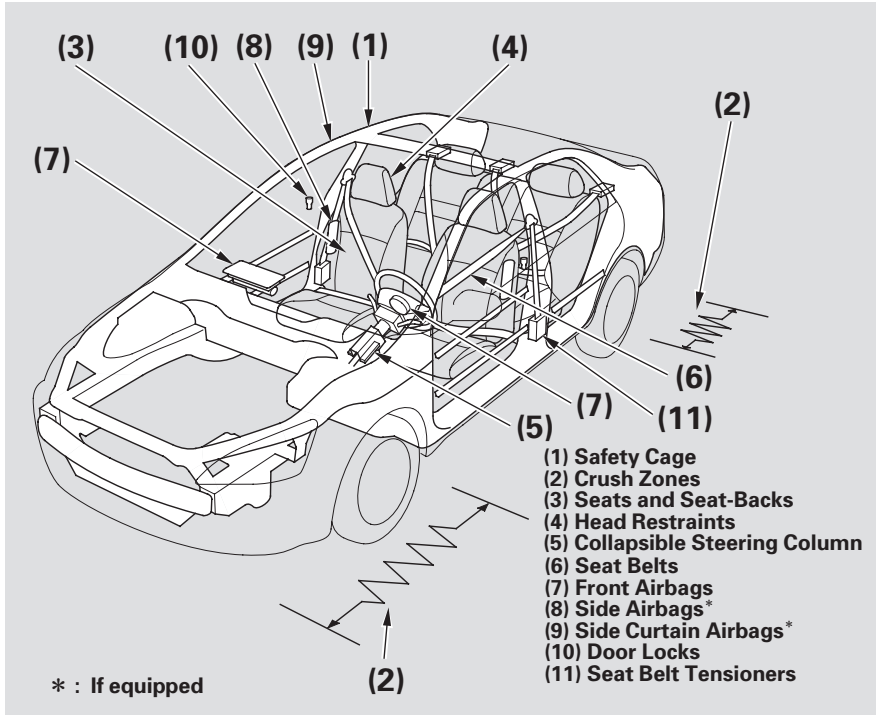
### **Control Your Speed**

Excessive speed is a major factor in crash injuries and deaths. Generally, the higher the speed the greater the risk, but serious accidents can also occur at lower speeds. Never drive faster than is safe for current conditions, regardless of the maximum speed posted.

### **Keep Your Car in Safe Condition**

Having a tire blowout or a mechanical failure can be extremely hazardous. To reduce the possibility of such problems, check your tire pressures and condition frequently, and perform all regularly scheduled maintenance. (See page [248](#).)

## Your Car's Safety Features



Your car is equipped with many features that work together to protect you and your passengers during a crash.

Some safety features do not require any action on your part. These include a strong steel framework that forms a safety cage around the passenger compartment; front and rear crush zones that are designed to crumple and absorb energy during a crash; a collapsible steering column; and seat belt tensioners that automatically tighten the front seat belts in the event of a crash.

*CONTINUED*

## Your Car's Safety Features

---

These safety features are designed to reduce the severity of injuries in a crash. However, you and your passengers can't take full advantage of these safety features unless you remain sitting in a proper position and ***always wear your seat belts properly***. In fact, some safety features can contribute to injuries if they are not used properly.

### Seat Belts

For your safety, and the safety of your passengers, your car is equipped with seat belts in all seating positions.



Your seat belt system also includes a light on the instrument panel to remind you and your passengers to fasten your seat belts.

### Why Wear Seat Belts

Seat belts are the single most effective safety device for adults and larger children. (Infants and smaller children must be properly restrained in child seats.)

Not wearing a seat belt properly increases the chance of serious injury or death in a crash, even though your car has airbags.

In addition, most states and all Canadian provinces require you to wear seat belts.

### **▲ WARNING**

Not wearing a seat belt properly increases the chance of serious injury or death in a crash, even if you have airbags.

Be sure you and your passengers always wear seat belts and wear them properly.

When properly worn, seat belts:

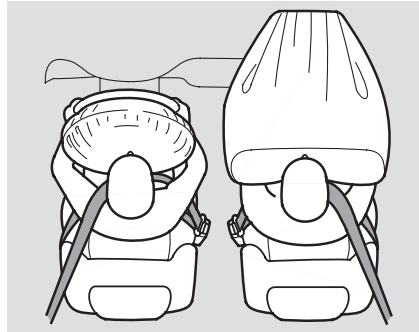
- Keep you connected to the car so you can take advantage of the car's built-in safety features.
- Help protect you in almost every type of crash, including frontal, side, and rear impacts and rollovers.

- Help keep you from being thrown against the inside of the car and against other occupants.
- Keep you from being thrown out of the car.
- Help keep you in a good position should the airbags ever deploy. A good position reduces the risk of injury from an inflating airbag, and allows you to get the best advantage from the airbag.

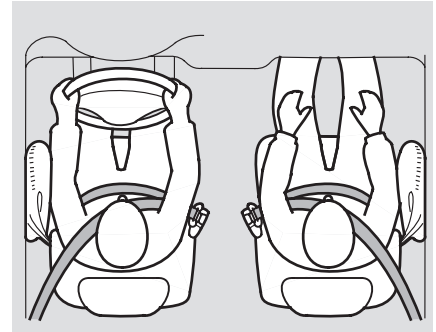
Of course, seat belts cannot completely protect you in every crash. But in most cases, seat belts can reduce your risk of serious injury.

**What you should do:** Always wear your seat belt, and make sure you wear it properly.

### Airbags



Your car has a Supplemental Restraint System (SRS) with front airbags to help protect the heads and chests of the driver and a front seat passenger during a moderate to severe frontal collision.

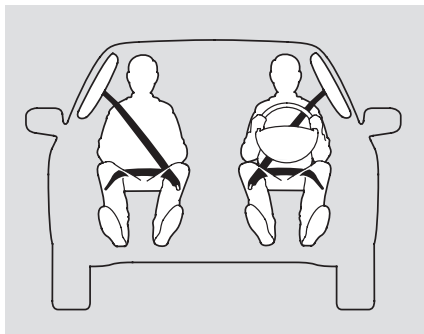


*Standard on V-6 and EX models.  
Optional on the U.S. LX model*  
Your car also has side airbags to help protect the upper torso of the driver or a front seat passenger during a moderate to severe side impact.

*CONTINUED*

## Your Car's Safety Features

---



U.S. EX-V6 model, optional on Canadian EX-V6 model

Your car also has side curtain airbags. During a moderate to severe side impact, side curtain airbags help to protect the heads of the driver, front seat passenger, and passengers sitting in the outer rear seating positions.

The most important things you need to know about your airbags are:

- ***Airbags do not replace seat belts.*** They are designed to supplement the seat belts.
- ***Airbags offer no protection in rear impacts, rollovers, or minor frontal or side collisions.***
- ***Airbags can pose serious hazards.*** To do their job, airbags must inflate with tremendous force and speed. So while airbags help save lives, they can cause minor injuries, or more serious or even fatal injuries if occupants are not properly restrained or sitting properly.

***What you should do:*** Always wear your seat belt properly, and sit upright and as far back as possible from the steering wheel or dashboard.

### **Seats and Seat-Backs**

Your car's seats are designed to keep you in a comfortable, upright position so you can take full advantage of the protection offered by seat belts and the energy absorbing materials in the seats.

How you adjust your seats and seat-backs can also affect your safety. For example, sitting too close to the steering wheel or dashboard increases the risk of you or your passenger being injured by striking the inside of the car, or by an inflating airbag.

Reclining a seat-back too far reduces the seat belt's effectiveness and increases the chance that the seat's occupant will slide under the seat belt in a crash and be seriously injured.

**What you should do:** Move the front seats as far back as possible, and keep adjustable seat-backs in an upright position whenever the car is moving.

### Head Restraints

Head restraints can help protect you from whiplash and other injuries. For maximum protection, the back of your head should rest against the center of the head restraint.

### Door Locks

Keeping your doors locked reduces the chance of being thrown out of the car during a crash. It also helps prevent occupants from accidentally opening a door and falling out, and outsiders from unexpectedly opening your doors.

### Pre-Drive Safety Checklist

To make sure you and your passengers get the maximum protection from your car's safety features, check the following each time before you drive away:

- All adults, and children who have outgrown child safety seats, are wearing their seat belts and wearing them properly (see page 15).
- Any infant or small child is properly restrained in a child seat in the back seat (see page 21).
- Front seat occupants are sitting upright and as far back as possible from the steering wheel and dashboard (see page 13).
- Seat-backs are upright (see page 14).
- Head restraints are properly adjusted (see page 15).
- All doors are closed and locked (see page 12).
- All cargo is properly stored or secured (see page 214).

## Protecting Adults

---

The rest of this section gives more detailed information about how you can maximize your safety.

Remember, however, that no safety system can prevent all injuries or deaths that can occur in severe crashes, even when seat belts are properly worn and the airbags deploy.

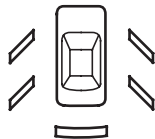
### Introduction

The following pages provide instructions on how to properly protect the driver and other adult occupants.

These instructions also apply to children who have outgrown child seats and are large enough to wear lap/shoulder belts. (See page 36 for important additional guidelines on how to properly protect larger children.)

### 1. Close and Lock the Doors

After everyone has entered the car, be sure the doors are closed and locked.



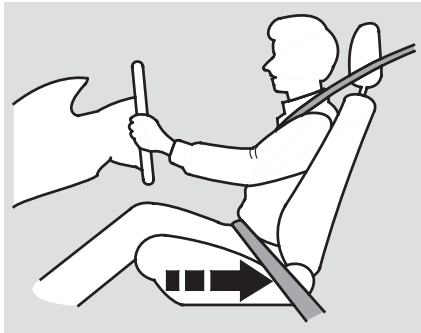
Your car has a door monitor light on the instrument panel to indicate when a specific door is not tightly closed.

For safety, locking the doors reduces the chance that a passenger, especially a child, will open a door while the car is moving and accidentally fall out. It also reduces the chance of someone being thrown out of the car during a crash.

For security, locked doors can prevent an outsider from unexpectedly opening a door when you come to a stop.

See page 78 for how to lock the doors.

### 2. Adjust the Front Seats



Any driver who sits too close to the steering wheel is at risk of being seriously injured or killed by striking the steering wheel or from being struck by an inflating front airbag during a crash.

To reduce the chance of injury, wear your seat belt properly, sit upright with your back against the seat, and move the seat away from the steering wheel to the farthest distance that allows you to maintain full control of the car.

The National Highway Traffic Safety Administration and Transport Canada recommend that drivers adjust the seat so the center of the chest is at least 10 inches away from the center of the steering wheel. In addition to adjusting the seat, you can adjust the steering wheel in and out (see page 73).

Also make sure your front seat passenger moves the seat as far to the rear as possible.

### **⚠ WARNING**

Sitting too close to a front airbag can result in serious injury or death if the front airbags inflate.

Always sit as far back from the front airbags as possible.

Most shorter drivers can get far enough away from the steering wheel and still reach the pedals. However, if you are concerned about sitting too close, we recommend that you investigate whether some type of adaptive equipment may help.

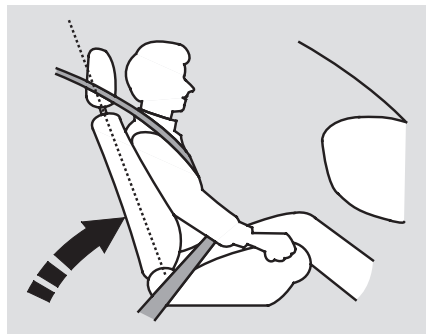
Once your seat is adjusted correctly, rock it back and forth to make sure the seat is locked in position.

See page 87 for how to adjust the front seats.



## Protecting Adults

### 3. Adjust the Seat-Backs



Adjust the driver's seat-back to a comfortable, upright position, leaving ample space between your chest and the airbag cover in the center of the steering wheel. If you sit too close to the steering wheel, you could be injured if the front airbag inflates.

A front passenger should also adjust the seat-back to an upright position, but as far from the dashboard as possible. A passenger who sits too close to the dashboard could be injured if the front airbag inflates.

Reclining a seat-back so that the shoulder part of the belt no longer rests against the occupant's chest reduces the protective capability of the belt. It also increases the chance of sliding under the belt in a crash and being seriously injured. The farther a seat-back is reclined, the greater the risk of injury.

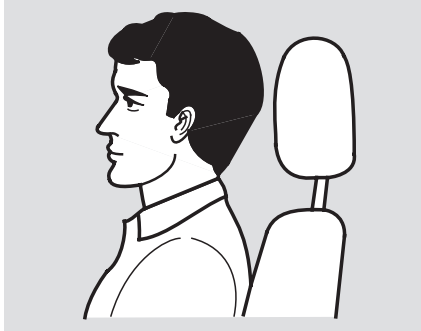
### **⚠ WARNING**

Reclining the seat-back too far can result in serious injury or death in a crash.

Adjust the seat-back to an upright position and sit well back in the seat.

See page [87](#) for how to adjust seat-backs.

### 4. Adjust the Head Restraints



Before driving, make sure everyone with an adjustable head restraint has properly positioned the head restraint. The restraint should be positioned so the back of the occupant's head rests against the center of the restraint. A taller person should adjust the restraint as high as possible.

### **⚠ WARNING**

Improperly positioning head restraints reduces their effectiveness and you can be seriously injured in a crash.

Make sure head restraints are in place and positioned properly before driving.

Properly adjusted head restraints will help protect occupants from whiplash and other crash injuries.

See page [91](#) for how to adjust the head restraints.

### 5. Fasten and Position the Seat Belts

Insert the latch plate into the buckle, then tug on the belt to make sure the belt is securely latched. Also check that the belt is not twisted, because a twisted belt can cause serious injuries in a crash.

*CONTINUED*

## Protecting Adults

---



Position the lap part of the belt as low as possible across your hips, then pull up on the shoulder part of the belt so the lap part fits snugly. This lets your strong pelvic bones take the force of a crash and reduces the chance of internal injuries.

If necessary, pull up on the belt again to remove any slack from the shoulder part, then check that the belt rests across the center of your chest and over your shoulder. This

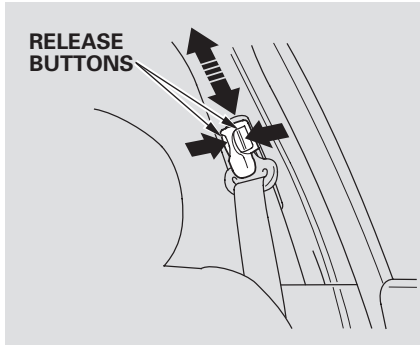
spreads the forces of a crash over the strongest bones in your upper body.

### **⚠ WARNING**

Improperly positioning the seat belts can cause serious injury or death in a crash.

Make sure all seat belts are properly positioned before driving.

If the seat belt touches or crosses your neck, or if it crosses your arm instead of your shoulder, you need to adjust the seat belt anchor height.



To adjust the height of a front seat belt anchor, squeeze the two release buttons and slide the anchor up or down as needed (it has four positions).

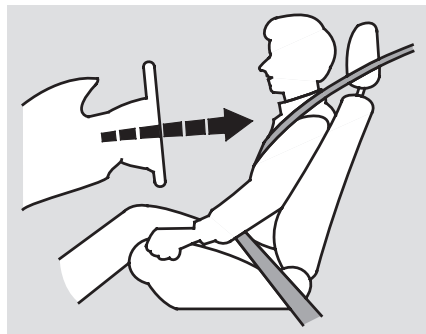
***Never place the shoulder portion of a lap/shoulder belt under your arm or behind your back.*** This could cause very serious injuries in a crash.

If a seat belt does not seem to work as it should, it may not protect the occupant in a crash. ***No one should sit in a seat with an inoperative seat belt.*** Anyone using a seat belt that is not working properly can be seriously injured or killed. Have your Honda dealer check the belt as soon as possible.

See page [42](#) for additional information about your seat belt system and how to take care of your belts.

## Protecting Adults

### 6. Adjust the Steering Wheel



Adjust the steering wheel, if needed, so that the wheel points toward your chest, not toward your face.

Pointing the steering wheel toward your chest provides optimal protection from the airbag.

See page [73](#) for how to adjust the steering wheel.

### 7. Maintain a Proper Sitting Position

After all occupants have adjusted their seats and put on seat belts, it is very important that they continue to sit upright, well back in their seats, with their feet on the floor, until the car is parked and the engine is off.

Sitting improperly can increase the chance of injury during a crash. For example, if an occupant slouches, lies down, turns sideways, sits forward, leans forward or sideways, or puts one or both feet up, the chance of injury during a crash is greatly increased.

In addition, an occupant who is out of position in the front seat can be seriously or fatally injured by striking interior parts of the car, or by being struck by an inflating front airbag. Being struck by an inflating side airbag can result in possibly serious injuries.

#### **⚠ WARNING**

Sitting improperly or out of position can result in serious injury or death in a crash.

Always sit upright, well back in the seat, with your feet on the floor.

Remember, to get the best protection from your car's airbags and other safety features, you must sit properly and wear your seat belt properly.

### Advice for Pregnant Women



Because protecting the mother is the best way to protect her unborn child, a pregnant woman should always wear a seat belt whenever she drives or rides in a car.

Remember to keep the lap portion of the belt as low as possible across your hips.

Pregnant women should also sit upright and as far back as possible from the steering wheel or dashboard. This will reduce the risk of injuries to both the mother and her unborn child that can be caused by a crash or an inflating airbag.

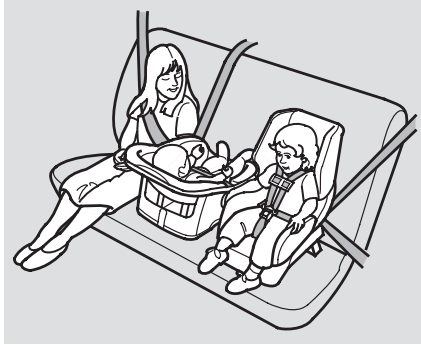
Each time you have a check-up, ask your doctor if it's okay for you to drive.

## Protecting Adults

---

### Additional Safety Precautions

- **Two people should never use the same seat belt.** If they do, they could be very seriously injured in a crash.
- **Do not put any accessories on seat belts.** Devices intended to improve occupant comfort or reposition the shoulder part of a seat belt can severely compromise the protective capability of the seat belt and increase the chance of serious injury in a crash.
- **Do not place hard or sharp objects between yourself and a front airbag.** Carrying hard or sharp objects on your lap, or driving with a pipe or other sharp objects in your mouth, can result in injuries if your front airbag inflates.
- **Do not attach or place objects on the front airbag covers.** Any object attached to or placed on the covers marked “SRS AIRBAG” in the center of the steering wheel and on top of the dashboard could interfere with the proper operation of the airbags. Or, if the airbags inflate, the objects could be propelled inside the car and hurt someone.
- **On models with side airbags or side curtain airbags, do not attach hard objects on or near a front door.** If a side airbag or a side curtain airbag inflates, a cup holder or other hard object attached on or near the door could be propelled inside the car and hurt someone.
- **Keep your hands and arms away from the airbag covers.** If your hands or arms are close to the airbag cover in the center of the steering wheel or on top of the dashboard, they could be injured if the front airbag inflates.



Children depend on adults to protect them. However, despite their best intentions, many parents and other adults may not know how to *properly* protect young passengers.

So if you have children, or if you ever need to drive with a grandchild or other children in your car, be sure to read this section.

### **⚠ WARNING**

Children who are unrestrained or improperly restrained can be seriously injured or killed in a crash.

Any child too small for a seat belt should be properly restrained in a child seat. A larger child should be properly restrained with a seat belt.

**All Children Must Be Restrained**  
Each year, many children are injured or killed in car crashes because they are either unrestrained or not properly restrained. In fact, car accidents are the number one cause of death of children ages 12 and under.

To reduce the number of child deaths and injuries, every state and Canadian province requires that infants and children be restrained whenever they ride in a car.

***Any child who is too small to wear a seat belt should be properly restrained in a child seat.*** (See page [26](#).)

***A larger child should always be restrained with a seat belt, and use a booster, if needed.*** (See page [36](#).)

*CONTINUED*



## Protecting Children

---

### *Additional Precautions to Parents*

- ***Never hold an infant or child on your lap.*** If you are not wearing a seat belt in a crash, you could be thrown forward into the dashboard and crush the child.

If you are wearing a seat belt, the child can be torn from your arms during a crash. For example, if your car crashes into a parked car at 30 mph (48 km/h), a 20-lb (9 kg) infant will become a 600-lb (275 kg) force, and you will not be able to hold on.

- ***Never put a seat belt over yourself and an infant or child.*** During a crash, the belt could press deep into the child and cause very serious injuries.

### **Children Should Sit in the Back Seat**

According to accident statistics, children of all ages and sizes are safer when they are restrained in the back seat, not the front seat. The National Highway Traffic Safety Administration and Transport Canada recommend that all children ages 12 and under be properly restrained in the back seat.

In the back seat, children are less likely to be injured by striking hard interior parts during a collision or hard braking. Also, children cannot be injured by an inflating airbag when they ride in the back.

### **The Passenger's Front Airbag Poses Serious Risks to Children**

Front airbags have been designed to help protect adults in a moderate to severe frontal collision. To do this, the passenger's front airbag is quite large, and it inflates with tremendous speed.

#### ***Infants***

***Never put a rear-facing child seat in the front seat of a car equipped with a passenger's airbag.*** If the airbag inflates, it can hit the back of the child seat with enough force to kill or very seriously injure an infant.

### ***Small Children***

***Placing a forward-facing child seat in the front seat of a car equipped with a passenger's front airbag can be hazardous.*** If the car seat is too far forward, or the child's head is thrown forward during a collision, an inflating front airbag can strike the child with enough force to kill or very seriously injure a small child.

### ***Larger Children***

***Children who have outgrown child seats are also at risk of being injured or killed by an inflating passenger's front airbag.*** Whenever possible, larger children should sit in the back seat, in a booster seat if needed, and be properly restrained with a seat belt. (See page 36 for important information about protecting larger children.)

### ***U.S. Models***

To remind you of the passenger's front airbag hazards, and that children must be properly restrained in the back seat, your car has warning labels on the dashboard and on the driver's and front passenger's visors. Please read and follow the instructions on these labels.



*CONTINUED*

## Protecting Children

---

### *Canadian Models*

To remind you of the front airbag hazards, your car has warning labels on the driver's and front passenger's visors. Please read and follow the instructions on these labels.

#### **CAUTION**

TO AVOID SERIOUS INJURY:

- FOR MAXIMUM SAFETY PROTECTION IN ALL TYPES OF CRASHES, YOU MUST ALWAYS WEAR YOUR SAFETY BELT.
- DO NOT INSTALL REARWARD-FACING CHILD SEATS IN ANY FRONT PASSENGER SEAT POSITION.
- DO NOT SIT OR LEAN UNNECESSARILY CLOSE TO THE AIR BAG.
- DO NOT PLACE ANY OBJECTS OVER THE AIR BAG OR BETWEEN THE AIR BAG AND YOURSELF.
- SEE THE OWNER'S MANUAL FOR FURTHER INFORMATION AND EXPLANATIONS.

#### **PRÉCAUTION:**

POUR ÉVITER DES BLESSURES GRAVES:

- POUR PROFITER D'UNE PROTECTION MAXIMALE LORS D'UNE COLLISION BOUCLEZ TOUJOURS VOTRE CEINTURE DE SÉCURITÉ.
- N'INSTALLEZ JAMAIS UN SIÈGE POUR ENFANTS FAISANT FACE À L'ARRIÈRE SUR LE SIÈGE DU PASSAGER AVANT.
- NE VOUS APPUYEZ PAS ET NE VOUS ASSEYEZ PAS PRES DU COUSSIN GONFLABLE.
- NE DEPOSEZ AUCUN OBJET SUR LE COUSSIN GONFLABLE OU ENTRE LE COUSSIN GONFLABLE ET VOUS.
- LISEZ LE GUIDE UTILISATEUR POUR DE PLUS AMPLES RENSEIGNEMENTS.

### **If You Must Drive with Several Children**

Your car has three seating positions in the back seat where children can be properly restrained.

If you ever have to carry more than three children in your car:

- Place the largest child in the front seat, provided the child is large enough to wear a seat belt properly (see page [36](#) ).
- Move the car seat as far to the rear as possible (see page [13](#) ).
- Have the child sit upright and well back in the seat (see page [18](#) ).
- Make sure the seat belt is properly positioned and secured (see page [15](#) ).

### If a Child Requires Close Attention

Many parents say they prefer to put an infant or small child in the front passenger seat so they can watch the child, or because the child requires attention.

Placing a child in the front seat exposes the child to hazards from the passenger's front airbag, and paying close attention to a child distracts the driver from the important tasks of driving, placing both of you at risk.

If a child requires physical attention or frequent visual contact, we strongly recommend that another adult ride with the child in the back seat. The back seat is far safer for a child than the front.

### Additional Safety Precautions

- **Use childproof door locks to prevent children from opening the doors.** Using this feature will prevent children from opening the doors and accidentally falling out (see page 84 ).
- **Use the main power window switch to prevent children from opening the rear windows.** Using this feature will prevent children from playing with the windows, which could expose them to hazards or distract the driver (see page 96 ).
- **Do not leave children alone in your car.** Leaving children without adult supervision is illegal in most states and Canadian provinces, and can be very hazardous. For example, infants and small children left in a car on a hot day can die from heatstroke. And children left alone with the key in the ignition can accidentally set the car in motion, possibly injuring themselves or others.

CONTINUED

## Protecting Children

---

- **Lock all doors and the trunk when your car is not in use.** Children who play in cars can accidentally get trapped inside the trunk and be seriously injured or could die. Teach your children not to play in or around cars. Know how to operate the emergency trunk opener and decide if your children should be shown how to use this feature (see page 85).
- **Keep car keys/remote transmitters out of the reach of children.** Even very young children learn how to unlock car doors, turn on the ignition, and open the trunk, which can lead to accidental injury or death.

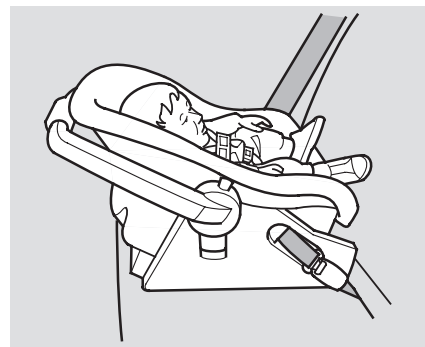
### General Guidelines for Using Child Seats

The following pages give general guidelines for selecting and installing child seats for infants and small children.

#### *Selecting a Child Seat*

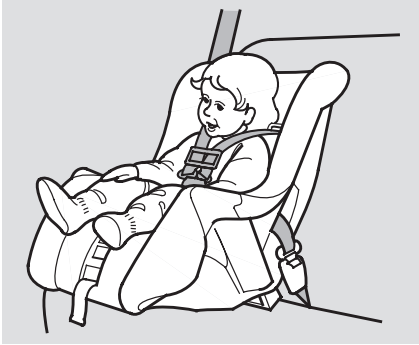
To provide proper protection, a child seat should meet three requirements:

- 1. The child seat should meet safety standards.** The child seat should meet Federal Motor Vehicle Safety Standard 213 (FMVSS 213) or Canadian Motor Vehicle Safety Standard 213 (CMVSS 213). Look for the manufacturer's statement of compliance on the box and seat.



- 2. The child seat should be of the proper type and size to fit the child.**

**Infants:** Children up to about one year old should be restrained in a rear-facing, reclining child seat. Only a rear-facing seat provides the proper support to protect an infant's head, neck, and back. See page 30 for additional information on protecting infants.



**Small Children:** A child who is too large for a rear-facing child seat, and who can sit up without support, should be restrained in a forward-facing child seat. See page 33 for additional information on protecting small children.

### ***3. The child seat should fit the car seating position (or positions) where it will be used.***

Due to variations in the design of child seats, car seats, and seat belts, all child seats will not fit all car seating positions.

However, Honda is confident that one or more child seat models can fit and be properly installed in all recommended seating positions in your car.

Before purchasing a child seat, we recommend that parents test the child seat in the specific car seating position (or positions) where they intend to use the seat. If a previously purchased child seat does not fit, you may need to buy a different one that will fit.

*CONTINUED*

## Protecting Children

### *Placing a Child Seat*

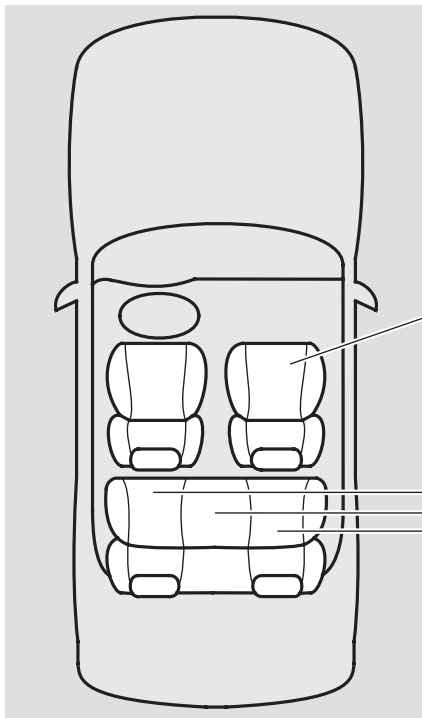
This page briefly summarizes Honda's recommendations on where to place rear-facing and forward-facing child seats in your car.

#### **Airbags Pose Serious Risks to Children**

The passenger's front airbag inflates with enough force to kill or seriously injure an infant in a rear-facing child seat.

A small child in a forward-facing child seat is also at risk. If the car seat is too far forward, or the child's head is thrown forward during a collision, an inflating front airbag can kill or seriously injure the child.

If a small child must ride in the front, follow the instructions provided in this section.



#### **Front Passenger's Seat**

**Infants:** Never in the front seat, due to the front airbag hazard.

**Small children:** Not recommended, due to the front airbag hazard. If a small child must ride in front, move the car seat to the rear-most position and secure a front-facing child seat with the seat belt. (see page 33).

#### **Back Seats**

**Infants:** Recommended positions. Properly secure a rear-facing child seat (see pages 30 and 40).

**Small children:** Recommended positions. Properly secure a front-facing child seat (see pages 33 and 40).

### ***Installing a Child Seat***

After selecting a proper child seat, and a good position to install the seat, there are three main steps in installing the seat:

**1. Properly secure the child seat to the car.** All child seats are designed to be secured to the car with the lap part of a lap/shoulder belt. Some child seats can be secured to the car's LATCH anchorage system instead. A child whose seat is not properly secured to the car can be endangered in a crash. See pages 31, 34 and 40 for instructions on how to properly secure child seats in this car.

**2. Make sure the child seat is firmly secured.** After installing a child seat, push and pull the seat forward and from side to side to verify that it is secure.

To provide security during normal driving maneuvers as well as during a collision, we recommend that parents secure a child seat as firmly as possible.

However, a child seat does not need to be "rock solid." In some cars or seating positions, it may be difficult to install a child seat so that it does not move at all. Some side-to-side or back-and-forth movement can be expected and should not reduce the child seat's effectiveness.

If the child seat is not secure, try installing it in a different seating position, or use a different style of child seat that can be firmly secured in the desired seating position.

**3. Secure the child in the child seat.** Make sure the child is properly strapped in the child seat according to the child seat maker's instructions. A child who is not properly secured in a child seat can be thrown out of the seat in a crash and be seriously injured.

### ***Storing a Child Seat***

When you are not using a child seat, either remove it and store it in a safe place, or make sure it is properly secured. An unsecured child seat can be thrown around the car during a crash or sudden stop and injure someone.



# Protecting Children

## Protecting Infants



### ***Child Seat Type***

Only a rear-facing child seat provides proper support for a baby's head, neck, and back. Infants up to about one year of age must be restrained in a rear-facing child seat.

Two types of seats may be used: a seat designed exclusively for infants, or a convertible seat used in the rear-facing, reclining mode.

## **⚠ WARNING**

Placing a rear-facing child seat in the front seat can result in serious injury or death if the passenger's front airbag inflates.

Always place a rear-facing child seat in the back seat, not the front.

We recommend that an infant be restrained in a rear-facing child seat until the infant reaches the seat maker's weight or height limit and is able to sit up without support.

### ***Rear-Facing Child Seat Placement***

In this car, a rear-facing child seat can be placed in any seating position in the back seat, but not in the front seat.

### ***Never put a rear-facing child seat in***

***the front seat.*** If the passenger's front airbag inflates, it can hit the back of the child seat with enough force to kill or seriously injure an infant. If an infant must be closely watched, we recommend that another adult sit in the back seat with the baby.

### ***Do not put a rear-facing child seat in***

***a forward-facing position.*** If placed facing forward, an infant could be very seriously injured during a frontal collision.

When properly installed, a rear-facing child seat may prevent the driver or a front-seat passenger from moving the seat as far back as recommended (see page 13). Or it may prevent them from locking the seat-back in the desired upright position (see page 14).

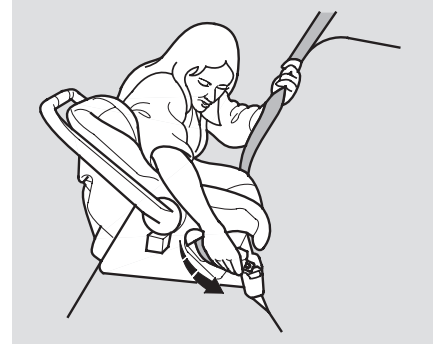
In either case, we recommend that you place the child seat directly behind the front passenger seat, move the front seat as far forward as needed, and leave it unoccupied. Or you may wish to get a smaller child seat that allows you to safely carry a front passenger.

### ***Rear-Facing Child Seat Installation***

The lap/shoulder belts in the back seats have a locking mechanism that must be activated to secure a child seat.

The following pages provide instructions and tips on how to secure a rear-facing child seat with this type of seat belt.

If you have a child seat designed to attach to the car's LATCH anchorage system, follow the instructions on page 40.

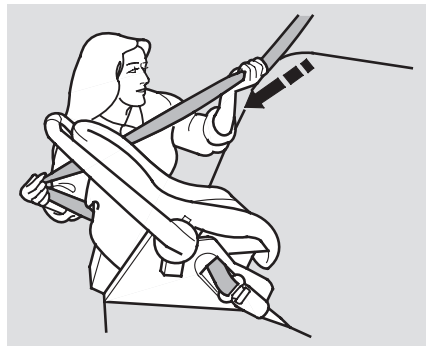


1. With the child seat in the desired back seating position, route the belt through the child seat according to the seat maker's instructions, then insert the latch plate into the buckle.

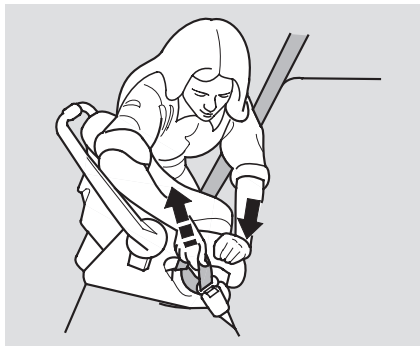
*CONTINUED*

## Protecting Children

---



2. To activate the lockable retractor, slowly pull the shoulder part of the belt all the way out until it stops, then let the belt feed back into the retractor (you might hear a clicking noise as the belt retracts).
3. After the belt has retracted, tug on it. If the belt is locked, you will not be able to pull it out. If you can pull the belt out, it is not locked and you will need to repeat these steps.



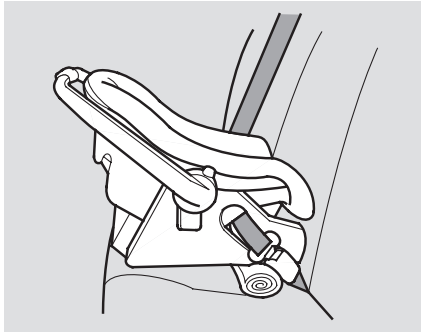
4. After confirming that the belt is locked, grab the shoulder part of the belt near the buckle and pull up to remove any slack from the lap part of the belt. Remember, if the lap part of the belt is not tight, the child seat will not be secure. To remove slack, it may help to put weight on the child seat, or push on the back of the seat, while pulling up on the belt.



5. Push and pull the child seat forward and from side to side to verify that it is secure enough to stay upright during normal driving maneuvers. If the child seat is not secure, unlatch the belt, allow it to retract fully, then repeat these steps.

To deactivate the locking mechanism and remove a child seat, unlatch the buckle, unrout the seat belt, and let the belt fully retract.

### **Rear-Facing Child Seat Installation Tips**



For proper protection, an infant must ride in a reclined, or semi-reclined position. To determine the proper reclining angle, check with the baby's doctor or follow the seat maker's recommendations.

To achieve the desired reclining angle, it may help to put a rolled up towel under the toe of the child seat, as shown.

### **Protecting Small Children**



#### **Child Seat Type**

A child who can sit up without support, and who fits within the child seat maker's weight and height limits, should be restrained in a forward-facing, upright child seat.

Of the different seats available, we recommend those that have a five-point harness system as shown.

We also recommend that a small child stay in the child seat as long as possible, until the child reaches the weight or height limit for the seat.

#### **Child Seat Placement**

In this car, the best place to install a forward-facing child seat is in one of the seating positions in the back seat.

**Placing a forward-facing child seat in the front seat of a car equipped with a passenger's front airbag can be hazardous.** If the car seat is too far forward, or the child's head is thrown forward during a collision, an inflating front airbag can strike the child with enough force to cause very serious or fatal injuries. If a small child must be closely watched, we recommend that another adult sit in the back seat with the child.

*CONTINUED*

## Protecting Children

### **⚠ WARNING**

Improperly placing a forward-facing child seat in the front seat can result in serious injury or death if the front airbags inflate.

If you must place a forward-facing child seat in front, move the car seat as far back as possible and properly restrain the child.

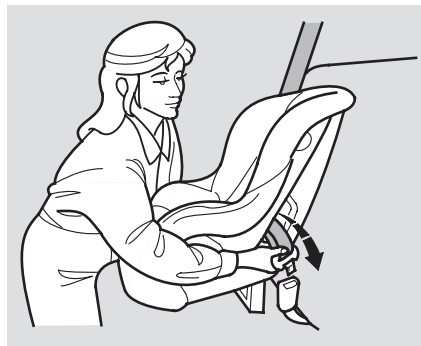
If it is necessary to put a forward-facing child seat in the front, move the car seat as far to the rear as possible, be sure the child seat is firmly secured to the car, and the child is properly strapped in the seat.

### ***Child Seat Installation***

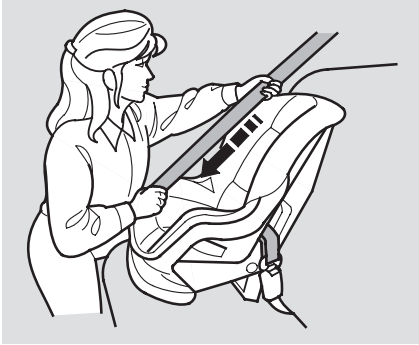
The lap/shoulder belts in the back and front passenger seating positions have a locking mechanism that must be activated to secure a child seat.

The following pages provide instructions on how to secure a forward-facing child seat with this type of seat belt.

If you have a child seat designed to attach to the car's LATCH anchorage system, follow the instructions on page 40 .



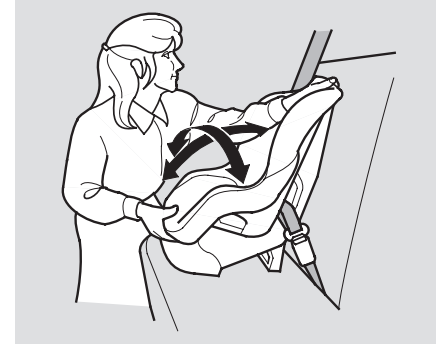
1. With the child seat in the desired seating position, route the belt through the child seat according to the seat maker's instructions, then insert the latch plate into the buckle.



2. To activate the lockable retractor, slowly pull the shoulder part of the belt all the way out until it stops, then let the belt feed back into the retractor (you might hear a clicking noise as the belt retracts).
3. After the belt has retracted, tug on it. If the belt is locked, you will not be able to pull it out. If you can pull the belt out, it is not locked and you will need to repeat these steps.



4. After confirming that the belt is locked, grab the shoulder part of the belt near the buckle and pull up to remove any slack from the lap part of the belt. Remember, if the lap part of the belt is not tight, the child seat will not be secure. It may help to put weight on the child seat, or push on the back of the seat, while pulling up on the belt.



5. Push and pull the child seat forward and from side to side to verify that it is secure enough to stay upright during normal driving maneuvers. If the child seat is not secure, unlatch the belt, allow it to retract fully, then repeat these steps.

To deactivate the locking mechanism and remove a child seat, unlatch the buckle, unrout the seat belt, and let the belt fully retract.

## Protecting Children

### Protecting Larger Children

When a child reaches the recommended weight or height limit for a forward-facing child seat, the child should sit in the back seat and wear a lap/shoulder belt.

If a child is too short for the shoulder part of the belt to properly fit, we recommend that the child use a booster seat until the child is tall enough to use the seat belt without a booster.

The following pages give instructions on how to check proper seat belt fit, what kind of booster seat to use if one is needed, and important precautions for a child who must sit in the front seat.

### **⚠ WARNING**

Allowing a larger child to sit improperly in the front seat can result in injury or death if the passenger's front airbag inflates.

If a larger child must sit in front, make sure the child moves the seat as far back as possible, uses a booster seat if needed, and wears the seat belt properly.

### *Checking Seat Belt Fit*



To determine if a lap/shoulder belt properly fits a child, have the child put on the seat belt. Follow the instructions on page 15. Then check how the belt fits.

If the shoulder part of the belt rests over the child's collarbone and against the center of the chest, as shown, the child is large enough to wear the seat belt.

However, if the shoulder belt touches or crosses the child's neck, or if the lap belt crosses the child's stomach, the child needs to use a booster seat.

***Do not let a child wear a seat belt across the neck or over the stomach.*** This could result in serious neck and internal injuries during a crash.

***Do not let a child put the shoulder part of a seat belt behind the back or under the arm.*** This could cause very serious injuries during a crash. It also increases the chance that the child will slide under the belt in a crash and be injured.

***Do not put any accessories on a seat belt.*** Devices intended to improve occupant comfort or reposition the shoulder part of a seat belt, severely compromise the protective capability of the seat belt and increase the chance of serious injury in a crash.

***Two children should never use the same seat belt.*** If they do, they could be very seriously injured in a crash.

### *Using a Booster Seat*



If a child needs a booster seat, we recommend choosing a high or low-back style that allows the child to be directly secured with the lap/shoulder belt.

Whichever style you select, follow the booster seat maker's instructions.

*CONTINUED*



## Protecting Children

---

A child should continue using a booster seat until they exceed the booster seat manufacturer's requirements.

Even then, they may still need to use a booster seat. Note that some states now require children to use boosters until they reach a certain age and/or weight. Be sure to check current laws in the state or states where you intend to drive.

***When Can a Larger Child Sit in Front***  
The National Highway Traffic Safety Administration and Transport Canada recommend that all children ages 12 and under be properly restrained in a back seat.

The back seat is the safest place for a child of any age or size.

In addition, the passenger's front airbag poses serious risks to children. If the seat is too far forward, or the child's head is thrown forward during a collision, or the child is unrestrained or out of position, an inflating front airbag can kill or seriously injure the child.

The side airbag also poses risks. If any part of a larger child's body is in the path of a deploying airbag, the child could receive possibly serious injuries.

Of course, children vary widely. And while age may be one indicator of when a child can safely ride in the front, there are other important factors you should consider.

### ***Physical Size***

Physically, a child must be large enough for the lap/shoulder belt to properly fit over the hips, chest, and shoulder (see pages [15](#) and [36](#)). If the seat belt does not fit properly, the child should not sit in the front.

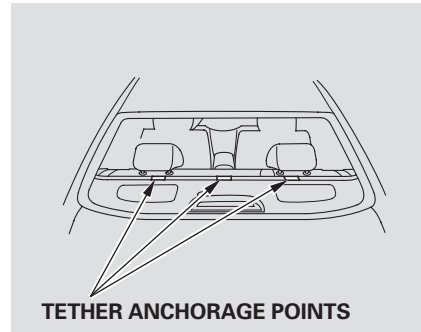
### ***Maturity***

To safely ride in front, a child must be able to follow the rules, including sitting properly and wearing the seat belt properly throughout a ride.

If you decide that a child can safely ride up front, be sure to:

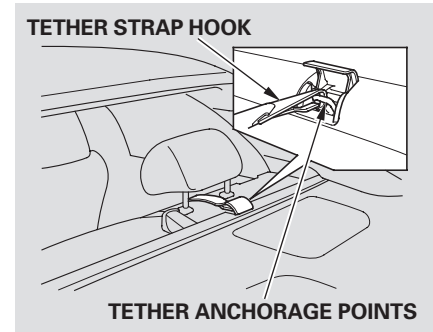
- Carefully read the owner's manual and make sure you understand all seat belt instructions and all safety information.
- Move the car seat to the rear-most position.
- Have the child sit up straight, back against the seat, and feet on or near the floor.
- Check that the child's seat belt is properly positioned and secured.
- Remind the child not to lean toward the door because of the side airbag.
- Supervise the child. Even mature children sometimes need to be reminded to fasten the seat belts or sit properly.

### Using Child Seats with Tethers



Your car has three tether anchorage points under the rear window for securing a tether-style child seat to the car.

Since a tether can provide additional security, we recommend using a tether whenever one is required or available.

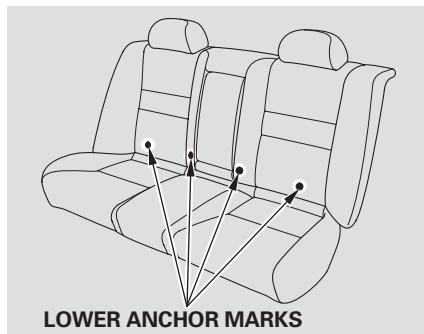


To use the anchorage point, pivot its cover up.

Attach the tether strap hook to the tether anchorage point, and tighten the strap according to the child seat maker's instructions. Make sure the strap is not twisted. Route it between the legs of the head restraint.

# Protecting Children

## Using LATCH

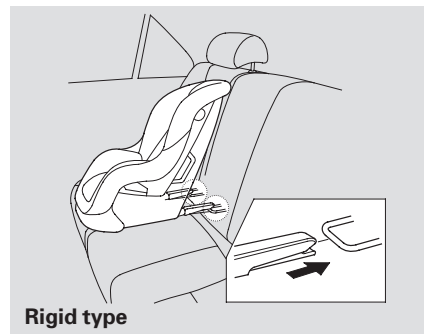


Your car is equipped with LATCH (Lower Anchors and Tethers for Children) at the outer rear seats. The lower anchors are located between the seat-back and seat bottom and are to be used only with a child seat designed for use with LATCH.

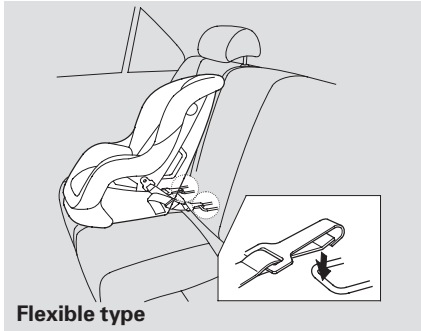
The exact location of each lower anchor is marked with a small button above the lower anchor point.

To install a LATCH-compatible child seat:

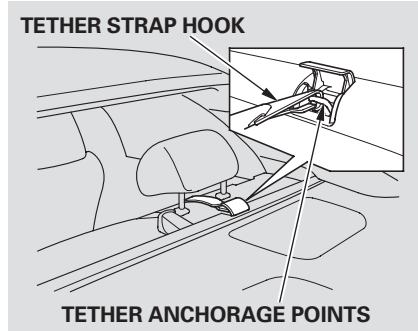
1. Move the seat belt buckle or center seat belt away from the lower anchor.
2. Make sure there are no foreign objects around the anchors. Foreign objects could get in the way of a secure connection between the child seat and the anchors.



3. Put the child seat in the rear left or right car seat, and attach the child seat to the lower anchors according to the child seat maker's instructions.

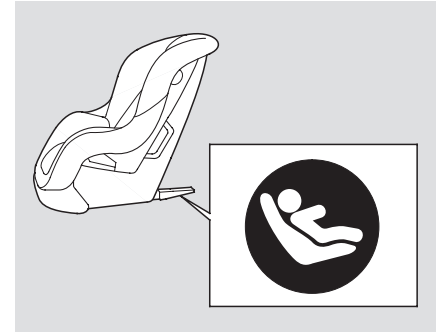


4. Follow the child seat maker's instructions for any additional advice on adjusting or tightening the fit.



5. Attach the tether strap hook to the tether anchorage point, and tighten the strap according to the child seat maker's instructions. Make sure the strap is not twisted. Route it between the legs of the head restraint.
6. Push and pull the child seat forward and from side to side to verify that it is secure enough to stay upright during normal driving maneuvers.

### Lower Universal Anchorage System Symbol



This symbol on rear or forward facing child seats or booster cushions indicates the presence of LATCH compatible hardware.

## Additional Information About Your Seat Belts

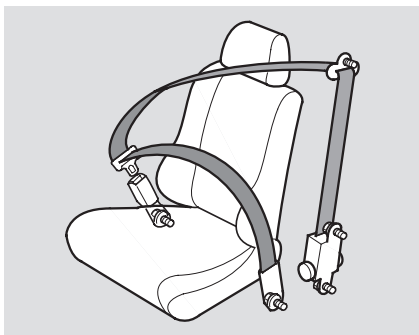
### Seat Belt System Components

Your seat belt system includes lap/shoulder belts in all five seating positions. The front seat belts are also equipped with automatic seat belt tensioners.



The seat belt system also includes a light on the instrument panel to remind you and your passengers to fasten your belts. If the driver's seat belt is not fastened before the ignition is turned ON (II), the light will come on and a beeper will also sound. The beeper will stop after a few seconds, but the light will stay on until the driver's seat belt is fastened.

### Lap/Shoulder Belt



This seat belt has a single belt that goes over your shoulder, across your chest and across your hips.

To fasten the belt, insert the latch plate into the buckle, then tug on the belt to make sure the buckle is latched.

To unlock the belt, push the red PRESS button on the buckle. Guide the belt across your body to the door pillar. After exiting the car, be sure the belt is out of the way and will not get closed in the door.

All seat belts have an emergency locking retractor. In normal driving, the retractor lets you move freely in your seat while it keeps some tension on the belt. During a collision or sudden stop, the retractor automatically locks the belt to help restrain your body.

The seat belts in all seating positions except the driver's have an additional locking mechanism that must be activated to secure a child seat. (See pages 31 and 34 for instructions on how to secure child seats with this type of seat belt.)

## Additional Information About Your Seat Belts

If the shoulder part of the belt is pulled all the way out, the locking mechanism will activate. The belt will retract, but it will not allow the passenger to move freely.

To deactivate the locking mechanism, unlatch the buckle and let the seat belt fully retract. To refasten the belt, pull it out only as far as needed.

See page 15 for instructions on how to wear the lap/shoulder belt properly.

### Automatic Seat Belt Tensioners



For added protection, the front seat belts are equipped with automatic seat belt tensioners. When activated, the tensioners immediately tighten the belts to help hold the driver and a front passenger in place.

The tensioners are designed to activate primarily in frontal collisions. The tensioners are independent of the airbag system, so they can be activated during a collision that

might not cause the airbags to deploy. In this case, the airbags would not be needed but the additional seat belt tension can be helpful.

The tensioners will be activated in a collision severe enough to cause the front airbags to inflate.

When the tensioners are activated, the seat belts will remain tight until they are unbuckled in the normal way.



The SRS indicator light will come on if there is a problem with your automatic seat belt tensioners (see page 48).

## Additional Information About Your Seat Belts

---

### Seat Belt Maintenance

For safety, you should check the condition of your seat belts regularly.

Pull each belt out fully and look for frays, cuts, burns, and wear. Check that the latches work smoothly and that the lap/shoulder belts retract easily. Any belt not in good condition or not working properly will not provide good protection and should be replaced as soon as possible.

### *U.S. Models*

Honda provides a lifetime warranty on seat belts. Honda will repair or replace any seat belt component that fails to function properly during normal use. Please see your *Honda Warranty Information* booklet for details.

### **⚠ WARNING**

Not checking or maintaining seat belts can result in serious injury or death if the seat belts do not work properly when needed.

Check your seat belts regularly and have any problem corrected as soon as possible.

If a seat belt is worn during a crash, it must be replaced by the dealer. A belt that has been worn during a crash may not provide the same level of protection in a subsequent crash. The dealer should also inspect the anchors for damage and replace them if needed.

Automatic seat belt tensioners that deployed during a crash must be replaced.

For information on how to clean your seat belts, see page [329](#).

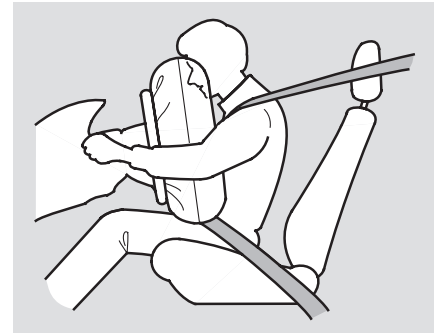
## Additional Information About Your Airbags

### SRS Components

Your Supplemental Restraint System (SRS) includes:

- Two front airbags. The driver's airbag is stored in the center of the steering wheel; the front passenger's airbag is stored in the dashboard. Both are marked "SRS AIRBAG."
  - Automatic seat belt tensioners that tighten the front seat belts during a moderate to severe frontal collision.
  - Sensors that can detect a moderate to severe frontal collision.
- A sophisticated electronic system that continually monitors and records information about the sensors, the control unit, the airbag activators, and driver and passenger seat belt use when the ignition is ON (II).
  - An indicator light on the instrument panel that alerts you to a possible problem with the system (see page 48).
  - Emergency backup power in case your car's electrical system is disconnected in a crash.

### How Your Front Airbags Work



Your car is equipped with dual-stage, dual-threshold airbags to help reduce the chance of airbag-caused injuries.

*CONTINUED*



## Additional Information About Your Airbags

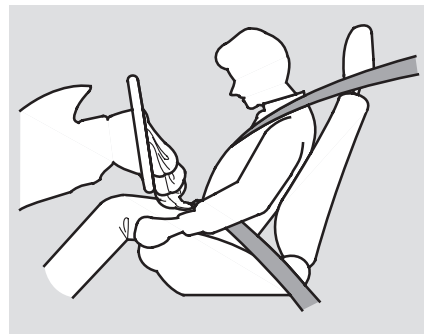
---

If you ever have a moderate to severe frontal collision, the sensors will detect the car's rapid deceleration. If the rate of deceleration is high enough, the control unit will instantly inflate the front airbags.

During a frontal crash, your seat belts help restrain your lower body and torso. Your airbag provides a cushion to help restrain and protect your head and chest.

Since both airbags use the same sensors, both airbags normally inflate at the same time. However, it is possible for only one airbag to inflate.

This can occur when the severity of a collision is at the margin, or threshold, that determines whether or not the airbags will deploy. In such cases, the seat belt will provide sufficient protection, and the supplemental protection offered by the airbag would be minimal.



After inflating, the front airbags immediately deflate, so they won't interfere with the driver's visibility, or the ability to steer or operate other controls.

The total time for inflation and deflation is approximately one-tenth of a second, so fast that most occupants are not aware that the airbags deployed until they see them lying in their laps.

## Additional Information About Your Airbags

After a crash, you may see what looks like smoke. This is actually powder from the airbag's surface. Although the powder is not harmful, people with respiratory problems may experience some temporary discomfort. If this occurs, get out of the car as soon as it is safe to do so.

### U.S. Owners:

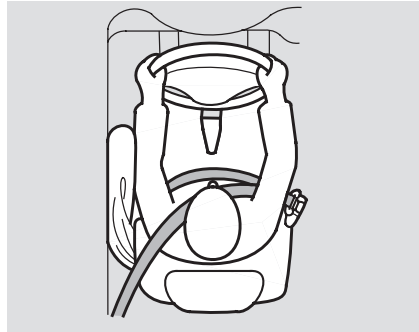
For additional information on how your airbags work, see the booklet titled *SRS: What You Need to Know About Airbags* that came with your owner's manual.

### Canadian Owners:

For additional information on how your airbags work, ask your dealer for a copy of the booklet titled *SRS: What You Need to Know About Airbags*.

### How Your Side Airbags Work

*Only on models equipped with side airbags*



Some models are equipped with side airbags for the driver and a front seat passenger. The airbags are stored in the outer edges of the front seat-backs, and both are marked "SIDE AIRBAG."

In a moderate to severe side impact, the sensors will detect rapid deceleration and signal the control unit to instantly inflate either the driver's or the passenger's side airbag.

Only one airbag will deploy during a side impact. If the impact is on the passenger's side, the passenger's side airbag will deploy even if there is no passenger.

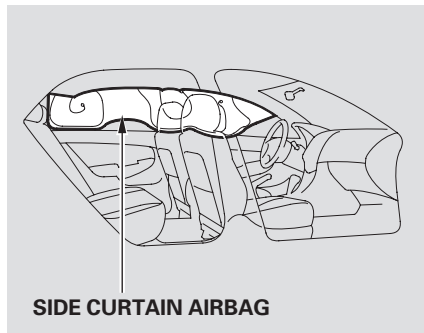
To get the best protection from the side airbags, front seat occupants should wear their seat belts and sit upright and well back in their seats.

## Additional Information About Your Airbags

---

### How Your Side Curtain Airbags Work

*U.S. EX-V6 model, optional on Canadian EX-V6 model*



Your car is equipped with side curtain airbags. These airbags are stored in the front, center, and rear pillars on both sides. The front and center pillars on both sides are marked "SIDE CURTAIN AIRBAG."

In a moderate to severe side impact, sensors will detect rapid deceleration and signal the control unit to instantly inflate the side curtain airbag on the driver's or the passenger's side of the car. If the impact is on the passenger's side, the passenger's side curtain airbag will inflate even if there are no occupants on that side of the car.

To get the best protection from the side curtain airbags, occupants should wear their seat belts and sit upright and well back in their seats.

### How the SRS Indicator Works



The SRS indicator alerts you to a potential problem with the front airbags or seat belt tensioners. If equipped, it also alerts you to a potential problem with the side airbags, the automatic cutoff system for the passenger's side airbag, or the side curtain airbags.

When you turn the ignition ON (II), this indicator will light briefly then go out. This tells you that the system is working properly.

## Additional Information About Your Airbags

If the light comes on at any other time, or does not come on at all, you should have the system checked by your dealer. For example:

- If the SRS indicator light does not come on after you turn the ignition switch to ON (II).
- If the light stays on after the engine starts.
- If the light comes on or flashes on and off while you drive.

If you see any of these indications, your airbags may not deploy, your passenger's side airbag automatic cutoff system may not work properly, or your seat belt tensioners may not work when you need them. See your Honda dealer as soon as possible.

### **WARNING**

Ignoring the SRS indicator light can result in serious injury or death if the airbags, cutoff system, or tensioners do not work properly.

Have your car checked by a dealer as soon as possible if the SRS light alerts you to a potential problem.

### **How the Side Airbag Cutoff Indicator Light Works**

*Only on models equipped with side airbags*



This light alerts you that the passenger's side airbag has been automatically shut off.

To reduce the risk of injury from an inflating side airbag, your car has an automatic cutoff system for the passenger's side airbag.

It does not mean there is a problem with your side airbags. It means that the side airbag cutoff system has activated to prevent the side airbag from deploying.

*CONTINUED*

## Additional Information About Your Airbags

---

Although Honda does not encourage children to ride in the front, this system is designed to shut off the side airbag if a child leans sideways and the child's head is in the side airbag deployment path.

If a small-statured adult leans sideways, or larger adult slouches and leans sideways into the deployment path of the side airbag, the system may also shut off the side airbag.

If the side airbag cutoff indicator light comes on, you should have the passenger sit upright. Once the passenger is out of the deployment path of the side airbag, the system will turn the airbag back on and the light will go out.

A front seat passenger should not use a cushion or other object as a backrest. It may prevent the cutoff system from working properly.

When you turn the ignition switch to ON (II), the indicator should light briefly and go out (see page 59). If it doesn't light, stays on, or comes on while driving without a passenger in the front seat, have the system checked.

## Additional Information About Your Airbags

---

### Airbag Service

Your airbag systems are virtually maintenance-free, and there are no parts you can safely service. However, you must have your car serviced if:

- **Your airbags ever inflate.** Any airbag that has deployed must be replaced along with the control unit, automatic seat belt tensioners, and other related parts. Do not try to remove or replace any airbag by yourself. This must be done by a Honda dealer or a knowledgeable body shop.
- **The SRS indicator light alerts you to a problem.** Take your car to an authorized Honda dealer as soon as possible. If you ignore this indication, the airbags might not inflate when you need them.

### Additional Safety Precautions

- **Do not attempt to deactivate your airbags.** Together, airbags and seat belts provide the best protection.
- **Do not tamper with airbag components or wiring for any reason.** Tampering could cause the airbags to deploy, possibly causing very serious injury.
- **Do not expose the front seat-backs to water.** If rain or spilled water soaks into a seat-back, it can prevent the side airbag system from working properly.

- **Do not cover or replace front seat-back covers without consulting a Honda dealer.** Improperly replacing or covering front seat-back covers can prevent your side airbags from inflating during a collision.

See page [213](#) for further information and precautions relating to your airbags.

## Carbon Monoxide Hazard

---

Your car's exhaust contains carbon monoxide gas. You should have no problem with carbon monoxide entering the car in normal driving if you maintain your car properly. Have the exhaust system inspected for leaks whenever:

- The car is raised for an oil change.
- You notice a change in the sound of the exhaust.
- The car was in an accident that may have damaged the underside.

### **WARNING**


Carbon monoxide gas is toxic. Breathing it can cause unconsciousness and even kill you.

Avoid any enclosed areas or activities that expose you to carbon monoxide.

High levels of carbon monoxide can collect rapidly in enclosed areas, such as a garage. Do not run the engine with the garage door closed. Even with the door open, run the engine only long enough to move the car out of the garage.

With the trunk lid open, air flow can pull exhaust gas into your car's interior and create a hazardous condition. If you must drive with the trunk lid open, open all the windows and set the heating and cooling system as shown below.

If you must sit in your parked car, even in an unconfined area, with the engine running, adjust the heating and cooling system as follows:

1. Select the Fresh Air mode.
2. Select the  mode.
3. Turn the fan on high speed.
4. Set the temperature control to a comfortable setting.

These labels are in the locations shown. They warn you of potential hazards that could cause serious injury. Read these labels carefully. If a label comes off or becomes hard to read (except for the U.S. dashboard label which is removed by the owner), contact your Honda dealer for a replacement.

## HOOD

### U.S. models

**SUPPLEMENTAL RESTRAINT SYSTEM (SRS)**  
This vehicle is equipped with front air bags, side air bags in the front seats, front overhead air bags, and side curtain air bags. ALL SRS components and connectors are color-coded. Handle with care. Disconnecting or connecting requires special tools. SRS components may malfunction if system is repaired or causes accidental deployment.

**▲ WARNING**  
Accidental deployment can seriously hurt or kill you. Follow Service Manual instructions carefully.

### Canadian models

**SUPPLEMENTAL RESTRAINT SYSTEM (SRS)**  
Ce véhicule est équipé de deux airbags avant, de deux airbags latéraux dans les sièges avant et de deux airbags latéraux de type rideau. Tous les composants et les connecteurs sont colorés. Manipulez-les avec précaution. Le débranchement ou le branchement nécessite des outils particuliers. Les composants du SRS peuvent mal fonctionner si le système est réparé ou si un accident provoque un déploiement accidentel.

**▲ WARNING**  
Un déploiement accidentel peut sérieusement blesser ou tuer. Suivez les instructions du Manuel de Service.

## DASHBOARD

### U.S. models only

**▲ WARNING**  
**Children Can Be KILLED or INJURED by Passenger Air Bag**

- The back seat is the safest place for children 12 and under.
- Make sure all children use seat belts or child seats.

To be removed by owner only.

**ATTENTION**  
L'occupant arrière est le lieu le plus sûr pour les enfants de 12 ans et moins.  
Assurez-vous que tous les enfants utilisent des ceintures de sécurité ou des sièges d'appoint.

## RADIATOR CAP

**DANGER**  
**WARNING**  
HOT FLUIDS UNDER HOOD  
► NEVER OPEN HOOD UNTIL COOL  
► NEVER REAR HEAD COVER  
► NEVER REAR HOOD OPEN  
► NEVER REAR HOOD OPEN  
1.1

## SUN VISOR

### U.S. models

**▲ WARNING**

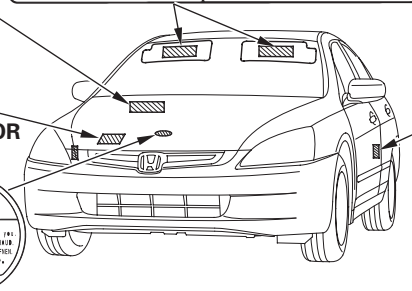
DEATH or SERIOUS INJURY can occur

- Children 12 and under can be killed by the air bag
- The BACK SEAT is the SAFEST place for children
- NEVER put a rear-facing child seat in the front
- Sit as far back as possible from the air bag
- ALWAYS use SEAT BELTS and CHILD RESTRAINTS

### Canadian models

**CAUTION**  
TO AVOID SERIOUS INJURY:  
• FOR MAXIMUM SAFETY PROTECTION IN ALL TYPES OF CRASHES, YOU MUST ALWAYS WEAR YOUR SAFETY BELT.  
• DO NOT INSTALL REARWARD-FACING CHILD SEATS IN ANY FRONT PASSENGER SEAT POSITION.  
• DO NOT SIT OR LEAN UNNECESSARILY CLOSE TO THE AIR BAG.  
• DO NOT PLACE ANY OBJECTS OVER THE AIR BAG OR BETWEEN THE AIR BAG AND YOURSELF.

**PRECAUTION:**  
POUR EVITER DES BLESSURES GRAVES:  
• POUR PROFITER D'UNE PROTECTION MAXIMALE LORS D'UNE COLLISION, BOUCLEZ TOUJOURS VOTRE CEINTURE DE SECURITE.  
• N'INSTALLEZ JAMAIS UN SIEGE POUR ENFANTS FAISANT FACE A L'ARRIERE SUR LE SIEGE DU PASSAGER AVANT.  
• NE VOUS APPUYEZ PAS ET NE VOUS ASSEYEZ PAS PRES DU COUSSIN GONFLABLE.  
• NE DEPOSEZ AUCUN OBJET SUR LE COUSSIN GONFLABLE ET VOUS-MEME.  
• SEE THE OWNER'S MANUAL FOR FURTHER INFORMATION AND EXPLANATIONS.



## DOORJAMBS

### On cars with side airbags

#### U.S. models

**SIDE AIRBAG**

- This car is equipped with side airbags in the driver's and passenger's seat.
- Do not lean against the door.
- See owner's manual for more information.

### On cars with side curtain airbags

#### U.S. models

**SIDE AIRBAG**

- This car is equipped with side airbags in the front seats and side curtain airbags.
- Do not lean against the door.
- See owner's manual for more information.

#### Canadian models

**SIDE AIRBAG**

- This car is equipped with side airbags in the driver's and passenger's seat.
- Do not lean against the door.
- See owner's manual for more information.

**COUSSIN GONFLABLE LATÉRAL**

- Cette voiture est équipée de coussins gonflables latéraux dans les sièges du conducteur et du passager.
- Ne vous appuyez pas sur la porte.
- Consultez le Manuel du propriétaire pour en savoir plus.

#### Canadian models

**SIDE AIRBAG**

- This car is equipped with side airbags in the front seats and side curtain airbags.
- Do not lean against the door.
- See owner's manual for more information.

**COUSSIN GONFLABLE LATÉRAL**

- Cette automobile est équipée de coussins gonflables latéraux dans les sièges avant ainsi que de coussins gonflables latéraux de type rideau.
- Ne vous appuyez pas sur la porte.
- Consultez le Manuel du propriétaire pour en savoir plus.

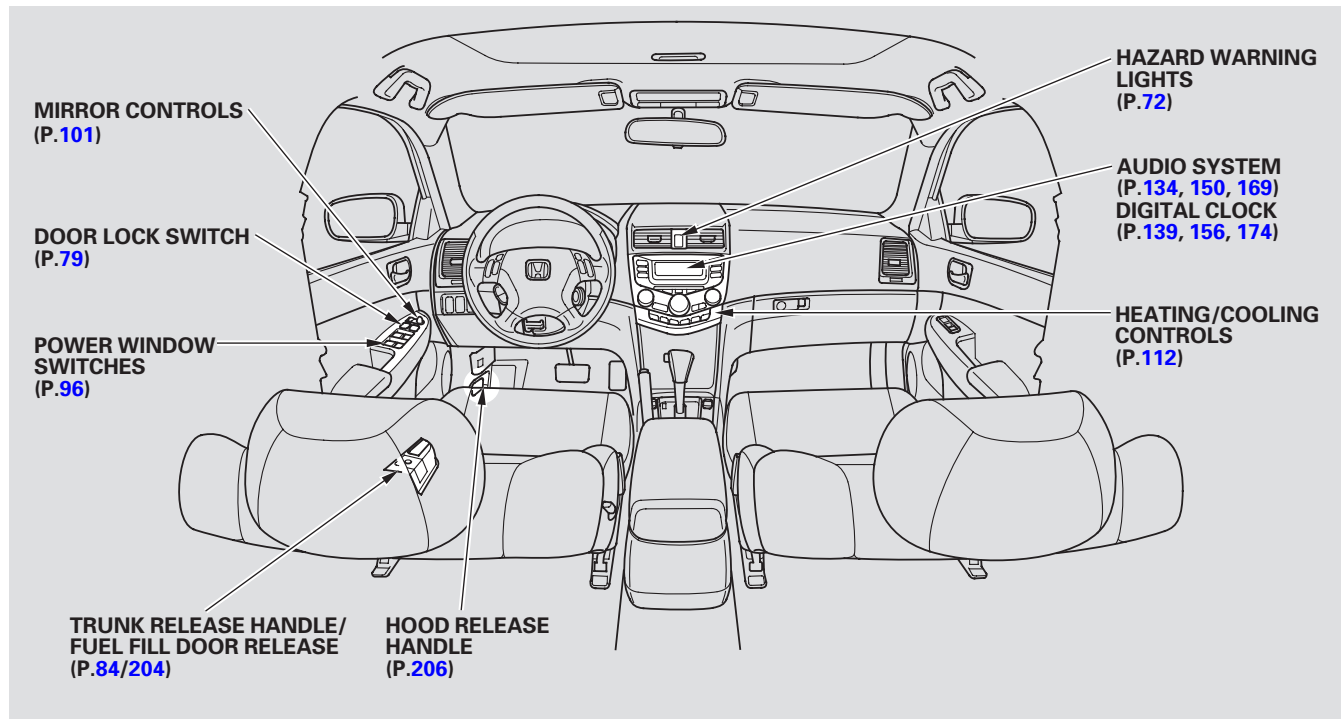




This section gives information about the controls and displays that contribute to the daily operation of your Honda. All the essential controls are within easy reach.

Control Locations .....	56	Daytime Running Lights.....	69	Driver's Lumbar Support.....	90
Indicator Lights.....	57	Instrument Panel Brightness .....	69	Front Passenger's Seat	
Gauges .....	63	Turn Signals .....	70	Adjustments .....	91
Speedometer .....	63	Windshield Wipers .....	70	Head Restraints .....	91
Tachometer .....	63	Windshield Washers .....	72	Folding Rear Seat .....	92
Odometer/Outside		Hazard Warning.....	72	Rear Head Restraints.....	93
Temperature Indicator.....	63	Rear Window Defogger .....	72	Rear Seat Armrest .....	93
Odometer.....	63	Steering Wheel Adjustment .....	73	Seat Heaters .....	95
Trip Meter .....	64	Keys and Locks.....	74	Power Windows .....	96
Temperature Gauge.....	64	Keys.....	74	Power Window Control	
Fuel Gauge .....	65	Immobilizer System.....	76	Operations .....	99
Maintenance Required		Ignition Switch .....	77	Moonroof .....	100
Indicator.....	65	Door Locks.....	78	Mirrors.....	101
Controls Near the Steering		Remote Transmitter.....	80	Adjusting the Power Mirrors ...	101
Wheel .....	67	Childproof Door Locks .....	84	Parking Brake .....	102
Headlights .....	68	Trunk .....	84	Console Compartment .....	103
Automatic Lighting Off		Emergency Trunk Opener .....	85	Armrest .....	103
Feature.....	69	Glove Box .....	86	Beverage Holders .....	104
		Seat Adjustments.....	87	Center CD Pocket.....	105
		Front Seat Adjustments .....	87	Coin Pocket .....	105
		Driver's Seat Manual Height		Sun Visor.....	106
		Adjustment .....	88	Vanity Mirror .....	106
		Driver's Seat Power Height		Sunglasses Holder .....	107
		Adjustment .....	88	Accessory Power Sockets.....	107
		Driver's Seat Full Power		Interior Lights .....	108
		Adjustments .....	89		

## Control Locations





## Indicator Lights

---

The instrument panel has many indicators to give you important information about your car.



### Seat Belt Reminder Light

This indicator lights when you turn the ignition switch ON (II). It is a reminder to you and your passengers to protect yourselves by fastening the seat belts. A beeper also sounds if you have not fastened your seat belt.

If you do not fasten your seat belt, the beeper will stop after a few seconds but the light stays on until you do. Both the light and the beeper stay off if you fasten your seat belt before turning on the ignition.



### Low Oil Pressure Indicator

The engine can be severely damaged if this light flashes or stays on when the engine is running. For complete information, see page [347](#).



### Charging System Indicator

If this light comes on when the engine is running, the battery is not being charged. For complete information, see page [348](#).



### Malfunction Indicator Lamp

See page [349](#).

U.S.

**BRAKE**

Canada

(P)

### Parking Brake and Brake System Indicator

This light has two functions:

1. This indicator comes on when you turn the ignition switch ON (II). It is a reminder to check the parking brake. Driving with the parking brake not fully released can damage the brakes and tires.
2. If the indicator remains lit after you have fully released the parking brake while the engine is running, or if it comes on while driving, it can indicate a problem in the brake system. For complete information, see page [351](#).



### Supplemental Restraint System Indicator

This indicator lights briefly when you turn the ignition switch to ON (II). If it comes on at any other time, it indicates a potential problem with your front airbags. This light will also alert you to a potential problem with your side airbags, passenger's side airbag automatic cutoff system, automatic seat belt tensioners, or side curtain airbags. For complete information, see page [48](#).



### Side Airbag Cutoff Indicator

*Only on models equipped with side airbags*

This indicator lights when you turn the ignition switch ON (II). If it comes on at any other time, it indicates that the passenger's side airbag has automatically shut off. For complete information, see page [49](#).



### Anti-lock Brake System (ABS) Indicator

This light normally comes on for a few seconds when you turn the ignition switch ON (II), and when the ignition switch is turned to START (III). If this light comes on at any other time, there is a problem in the ABS. If this happens, take the car to your dealer to have it checked. With the light on, your car still has normal braking ability but no anti-lock. For complete information, see page [231](#).



### TCS Activation Indicator

*On all V6 models*

This indicator comes on as a reminder that you have turned off the Traction Control System. It normally comes on for a few seconds when you turn the ignition switch to ON (II). If the TCS activation indicator and the TCS indicator come on and stay on at any other time, or if they do not come on when you turn the ignition switch to ON (II), there is a problem with the TCS. Take the car to your dealer to have it checked.

## Indicator Lights

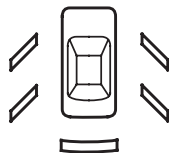
---

### **TCS** Traction Control System (TCS) Indicator

*On all V6 models*

This indicator normally comes on for a few seconds when you turn the ignition switch to ON (II). If it comes on and stays on when the Traction Control System (TCS) is on, there is a problem with the TCS. For more information on the TCS, see page [232](#).

### Door Monitor



The appropriate light comes on in this display if the trunk or any door is not closed tightly.

All the lights in the monitor display come on for a few seconds when you turn the ignition switch to ON (II).





### Turn Signal and Hazard Warning Indicators

The left or right turn signal light blinks when you signal a lane change or turn. If the light does not blink or blinks rapidly, it usually means one of the turn signal bulbs is burned out (see page [315](#)). Replace the bulb as soon as possible, since other drivers cannot see that you are signaling.

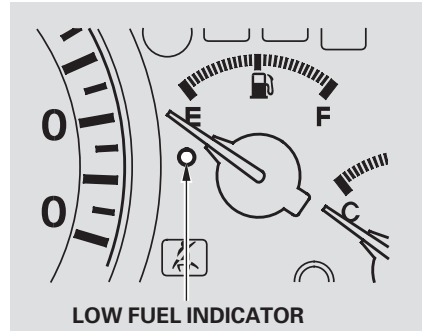
When you turn on the Hazard Warning switch, both turn signal lights blink. All turn signals on the outside of the car should flash.



## Lights On Indicator

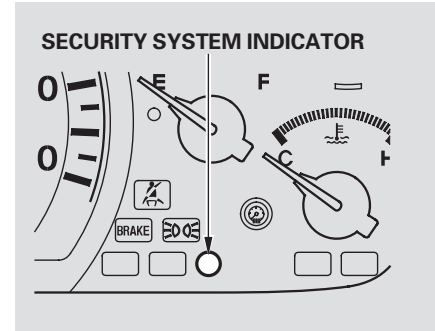
This indicator reminds you that the exterior lights are on. It comes on when the light switch is in either the  or  position. If you turn the ignition switch to ACCESSORY (I) or LOCK (0) without turning off the light switch, this indicator will remain on. A reminder chime will also sound when you open the driver's door.

## Low Fuel Indicator



This indicator is located in the fuel gauge. It comes on as a reminder that you must refuel soon.

## Security System Indicator



This indicator lights when the security system is set. See page [194](#) for complete information on the security system.



## Indicator Lights

---

**DRL**

### “Daytime Running Lights” Indicator

*Canadian models only*

This indicator lights when you turn the ignition switch to ON (II) with the headlight switch off and the parking brake set. It should go off if you turn on the headlights or release the parking brake. If it comes on at any other time, it means there is a problem with the DRL. There may also be a problem with the high beam headlights.



### High Beam Indicator

This light comes on with the high beam headlights. See page 68 for information on the headlight controls.

On Canadian models, this indicator comes on with reduced brightness when the Daytime Running Lights (DRL) are on (see page 69).

**CRUISE  
MAIN**

### Cruise Main Indicator

*Only on models equipped with Cruise Control System*

This indicator comes on when you turn on the Cruise Control Master Button. (see page 195.)

**CRUISE  
CONTROL**

### Cruise Control Indicator

*Only on models equipped with Cruise Control System*

This lights when you set the cruise control. See page 195 for information on operating the cruise control.



### Immobilizer System Indicator

This indicator comes on for a few seconds when you turn the ignition switch ON (II). It will then go off if you have inserted a properly-coded ignition key. If it is not a properly-coded key, the indicator will blink and the engine will not start (see page 76).

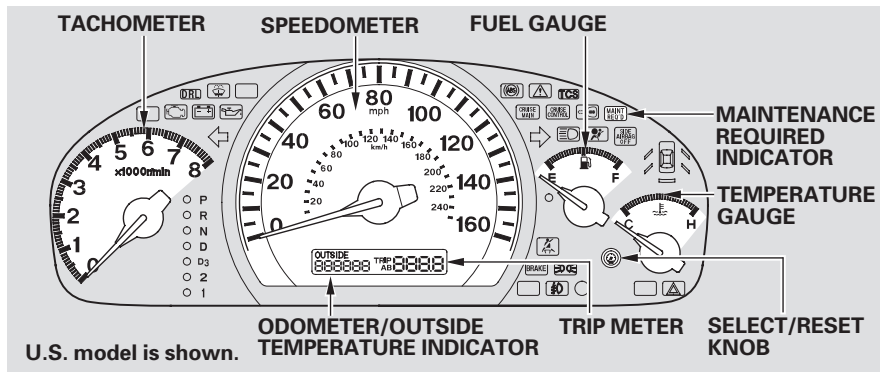
This indicator also blinks several times when you turn the ignition switch from ON (II) to ACCESSORY (I) or LOCK (0).



### Washer Level Indicator

*Canadian models only*

This light comes on when the washer fluid level is low. Add washer fluid when you see this light come on (see page 279).



## Speedometer

### *U.S. Models*

This shows your speed in miles per hour (mph). The smaller inner numbers are the speed in kilometers per hour (km/h).

### *Canadian Models*

This shows your speed in kilometers per hour (km/h). The smaller inner numbers are the speed in miles per hour (mph).

## Tachometer

The tachometer shows the engine speed in revolutions per minute (rpm). To protect the engine from damage, never drive with the tachometer needle in the red zone.

## Odometer/Outside Temperature Indicator

The odometer and the outside temperature indicator use the same display. To switch the display between the odometer and the outside temperature, press the Select/Reset knob. When you turn the ignition switch to ON (II), what you last selected is displayed.

## Odometer

The odometer shows the total distance your car has been driven. It measures miles in U.S. models and kilometers in Canadian models. It is illegal under U.S. federal law and Canadian provincial regulations to disconnect, reset, or alter the odometer with the intent to change the number of miles or kilometers indicated.

## Gauges

---

### Outside Temperature Indicator

*On 4-cylinder EX models with leather interior and all 6-cylinder EX models*

This indicator displays the outside temperature in Fahrenheit in U.S. models, and in Centigrade in Canadian models. To see the outside temperature, press and release the Select/Reset knob until the temperature is displayed.

The temperature sensor is located in the front bumper. Therefore, the temperature reading can be affected by heat reflection from the road surface, engine heat, and the exhaust from surrounding traffic. This can cause an incorrect temperature reading when your speed is under 19 mph (30 km/h).

In certain weather conditions, temperature readings near freezing (32° F, 0° C) could mean that ice is forming on the road surface.

### Trip Meter

This meter shows the number of miles (U.S.) or kilometers (Canada) driven since you last reset it.

There are two trip meters: Trip A and Trip B. Switch between these displays and the odometer/outside temperature display by pressing the Select/Reset knob repeatedly. Each trip meter works independently, so you can keep track of two different distances.

To reset a trip meter, display it and then press and hold the Select/Reset knob until the number resets to “0.0”. Both trip meters will reset if the car’s battery goes dead or is disconnected.

### Temperature Gauge

This shows the temperature of the engine’s coolant. During normal operation, the pointer should rise from the bottom white mark to about the middle of the gauge. In severe driving conditions, such as very hot weather or a long period of uphill driving, the pointer may rise into the upper half of the gauge. If it reaches the red (Hot) mark, pull safely to the side of the road. Turn to page 345 for instructions and precautions on checking the engine’s cooling system.

### Fuel Gauge

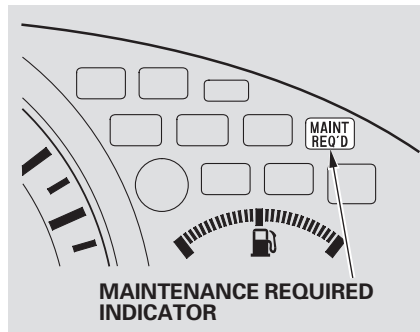
This shows how much fuel you have. It is most accurate when the car is on level ground. It may show slightly more or less than the actual amount when you are driving on curvy or hilly roads.

The needle returns to the bottom after you turn off the ignition. The gauge shows the fuel level reading immediately after you turn the ignition switch back ON (II).

#### NOTICE

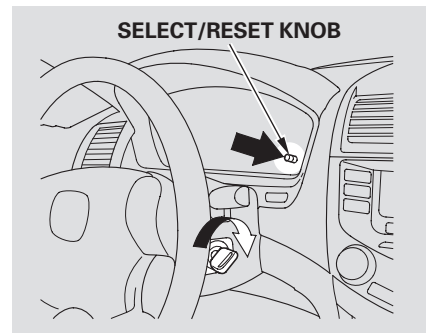
*Avoid driving with an extremely low fuel level. Running out of fuel could cause the engine to misfire, damaging the catalytic converter.*

### Maintenance Required Indicator



This indicator reminds you that it is time to take your car in for scheduled maintenance per the Normal Conditions maintenance schedule. The indicator light does not reflect severe maintenance intervals.

Refer to the Maintenance Schedule for Normal and Severe Driving Conditions on page 250 (4-cylinder models) or page 255 (6-cylinder



models).

#### 4-cylinder models

For the first 8,000 miles (12,800 km) after the Maintenance Required Indicator is reset, it will come on for two seconds when you turn the ignition switch to ON (II).

*CONTINUED*

## Gauges

---

Between 8,000 miles (12,800 km) and 10,000 miles (16,000 km) this indicator will light for two seconds when you first turn the ignition switch to ON (II), and then flash for ten seconds.

If you exceed 10,000 miles (16,000 km) without having the scheduled maintenance performed, this indicator will remain on as a constant reminder.

### *6-cylinder models*

For the first 6,000 miles (9,600 km) after the Maintenance Required Indicator is reset, it will come on for two seconds when you turn the ignition switch to ON (II).

Between 6,000 miles (9,600 km) and 7,500 miles (12,000 km) this indicator will light for two seconds when you first turn the ignition switch to ON (II), and then flash for ten seconds.

If you exceed 7,500 miles (12,000 km) without having the scheduled maintenance performed, this indicator will remain on as a constant reminder.

Your dealer will reset this indicator after completing the scheduled maintenance. If this maintenance is done by someone other than your Honda dealer, reset the indicator as follows.

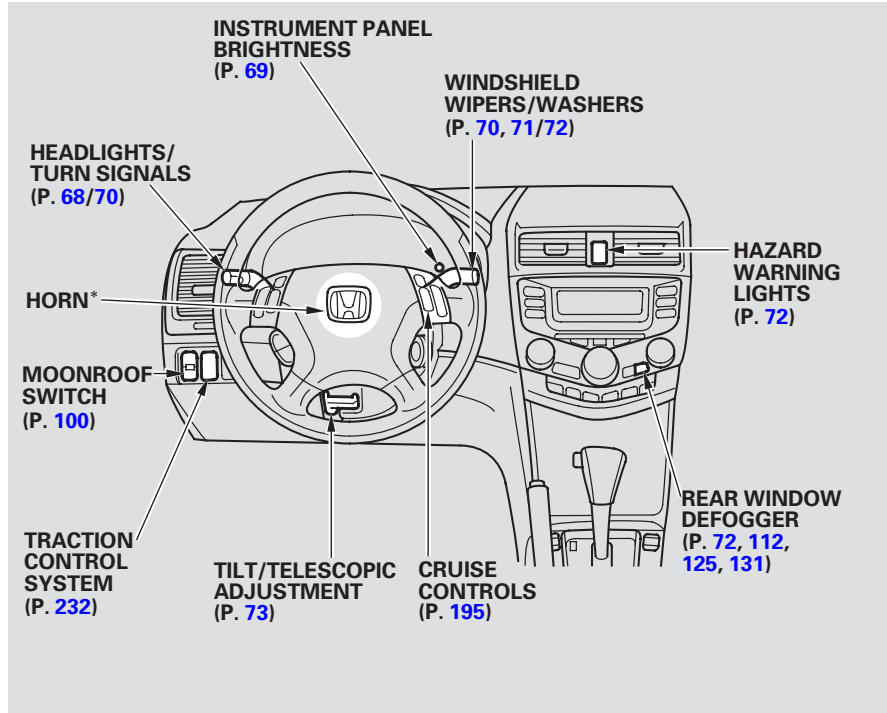
1. Turn off the engine.
2. Press and hold the Select/Reset knob in the instrument panel, then turn the ignition switch ON (II).
3. Hold the knob for approximately ten seconds until the indicator resets.

## Controls Near the Steering Wheel

The two levers on the steering column contain controls for driving features you use most often. The left lever controls the turn signals, headlights, and high beams. The right lever controls the windshield washers and wipers.

The controls under the left air vent are for the moonroof and the Traction Control System.

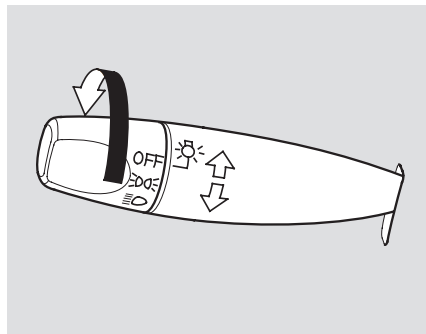
The steering wheel adjustment lever on the underside of the steering column allows you to tilt and telescope the steering wheel.



\* To use the horn, press the pad around the “H” logo.

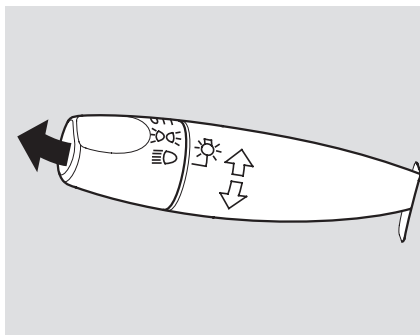
## Controls Near the Steering Wheel

### Headlights

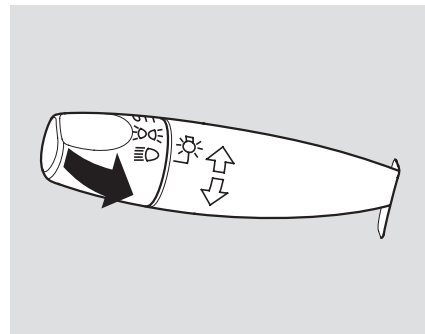


The rotating switch on the left lever controls the lights. Turning this switch to the “☀” position turns on the parking lights, taillights, instrument panel lights, and rear license plate lights. Turning the switch to the “☾” position turns on the headlights.

If you leave the lights on with the ignition switch in ACCESSORY (I) or LOCK (0), you will hear a reminder chime when you open the driver’s door.



To change from low beams to high beams, push the turn signal lever forward until you hear a click. The blue high beam indicator will light (see page 62). To return to low beams, pull the turn signal lever back.



To flash the high beams, pull the turn signal lever back lightly, then release it. The high beams will come on and go off.

The high beams will stay on for as long as you hold the lever back, no matter what position the headlight switch is in.

### Automatic Lighting Off Feature

*On all U.S. and Canadian models except DX*

The Automatic Lighting Off feature turns off the headlights, parking lights, taillights and license plate light within 15 seconds of removing the key from the ignition switch and closing the driver's door.

This feature activates if you leave the headlight switch in the "  $\text{D}$  " or "  $\text{D}$  " position, remove the key, open, then close the driver's door.

If you remove the key from the ignition switch with the headlight switch on, but do not open the door and get out, the lights will turn off after ten minutes.

The lights will turn on again when you unlock or open the driver's door. If you unlock the door, but do not open it within 15 seconds, the lights will go off. With the driver's door

open, you will hear a lights-on reminder chime.

### Daytime Running Lights (Canadian Models)

With the headlight switch off, the high beam headlights and the high beam indicator come on with reduced brightness when you turn the ignition switch to ON (II) and release the parking brake. They remain on until you turn the ignition off, even if you set the parking brake.

The headlights revert to normal operation when you turn them on with the switch.

### Instrument Panel Brightness

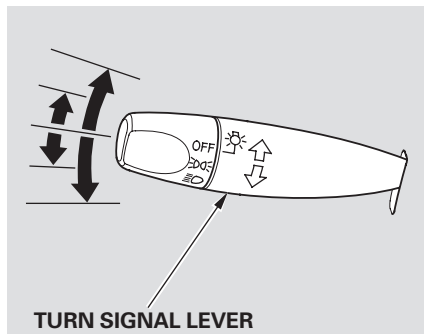


The Select/Reset knob on the instrument panel controls the brightness of the instrument panel lights. Turn the knob to adjust the brightness.



## Controls Near the Steering Wheel

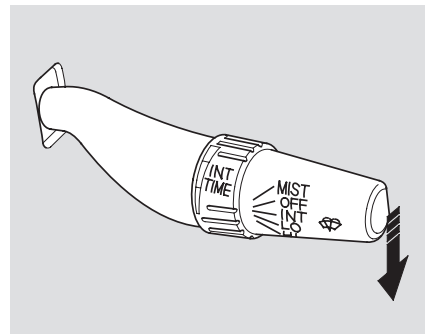
### Turn Signals



Signal a turn or lane change with this lever. Push down on the lever to signal a left turn, and up to signal a right turn. If you push it up or down all the way, the turn signal continues to blink even when you release the lever. It shuts off automatically as you complete the turn.

To signal a lane change, push lightly on the turn signal lever in the proper direction and hold it. The lever will return to the center position as soon as you release it.

### Windshield Wipers

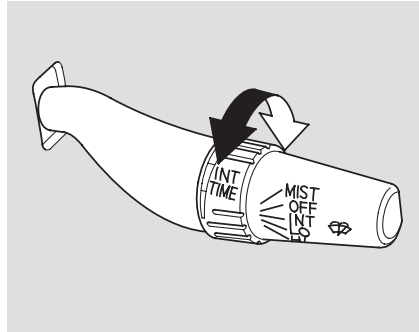


This lever controls the windshield wipers and washers. It has five positions:

- MIST: mist
- OFF: off
- INT: intermittent
- LO: low speed
- HI: high speed

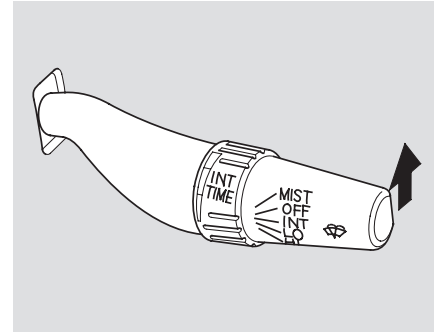
To select a position, push the lever up or down.

In intermittent, the wipers operate every few seconds. The sweep interval will change slightly with speed; getting shorter as you drive faster. While the car is stopped and in gear, the wipers sweep the windshield whenever you remove your foot from the brake pedal. In low speed and high speed, the wipers run continuously.



*On all models except DX*  
You can vary how often the wipers sweep the windshield by turning the INT TIME ring on the lever.

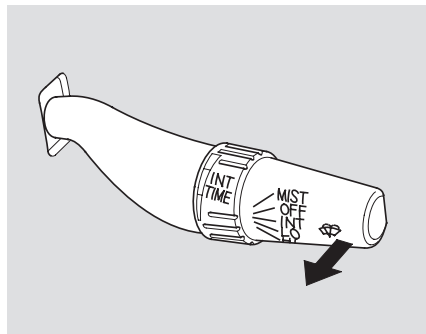
If you turn the INT TIME ring to the shortest delay, the wipers will change from intermittent to low speed operation when car speed exceeds 12 mph (20 km/h).



To operate the wipers in mist mode, push the control lever up from the OFF position. The wipers run at high speed until you release the lever. This gives you a quick way to clear the windshield.

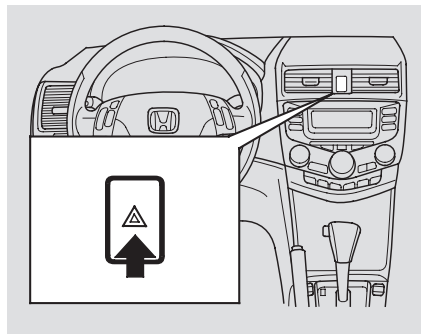
## Controls Near the Steering Wheel

### Windshield Washers



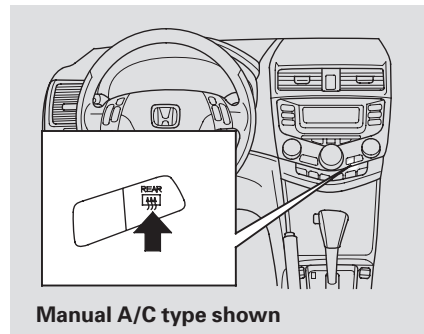
To clean the windshield, pull back on the wiper control lever. The washers spray until you release the lever. The wipers run at low speed while you're pulling the lever, then complete one more sweep of the windshield after you release it.

### Hazard Warning



Push the button between the center vents to turn on the hazard warning lights (four-way flashers). This causes all four outside turn signals and both turn indicators in the instrument panel to flash. Use the hazard warning panel lights if you need to park in a dangerous area near heavy traffic, or if your car is disabled.

### Rear Window Defogger



The rear window defogger will clear fog, frost, and thin ice from the window. Push the defogger button to turn it on and off. The light above the button lights to show the defogger is on. It also shuts off when you turn off the ignition. You have to turn it on again when you restart the car.

Make sure the rear window is clear and you have good visibility before starting to drive.

The defogger and antenna wires on the inside of the rear window can be accidentally damaged. When cleaning the glass, always wipe side to side.

### Steering Wheel Adjustment

*See page 18 for important safety information about how to properly position the steering wheel.*

Make any steering wheel adjustment before you start driving.

#### **WARNING**

Adjusting the steering wheel position while driving may cause you to lose control of the car and be seriously injured in a crash.

Adjust the steering wheel only when the car is stopped.

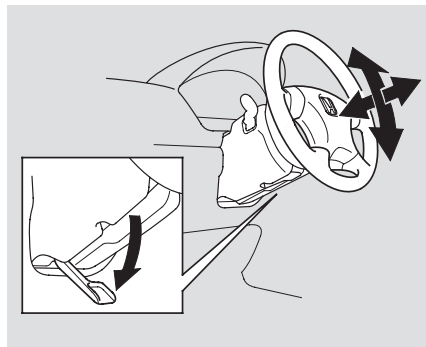
To adjust the steering wheel:

1. Insert the key in the ignition switch, and unlock the steering column.
2. Push the lever under the steering column all the way down.

*CONTINUED*

## Controls Near the Steering Wheel, Keys and Locks

---



3. Move the steering wheel up or down, and in or out to the desired position, making sure the wheel points toward your chest, not toward your face. Make sure you can see the instrument panel gauges and the indicator lights.

4. Push the lever up to lock the steering wheel in that position.

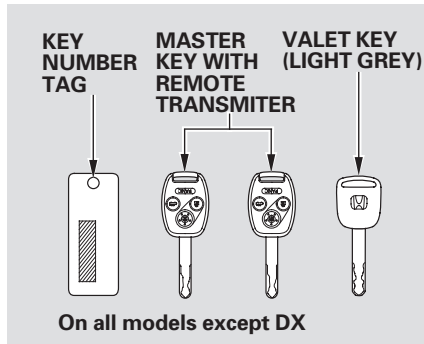
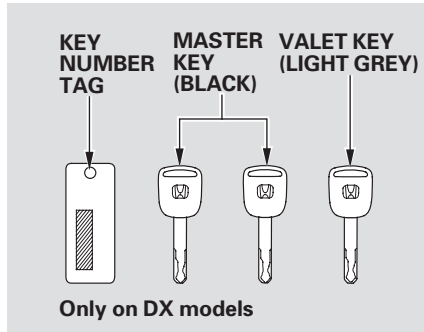
5. Make sure you have securely locked the steering wheel in place by trying to move it up, down, in, and out.

### Keys

Your car comes with two master keys and a valet key.

The master key fits all the locks on your car:

- Ignition
- Doors
- Trunk
- Glove box
- Trunk release handle
- Trunk pass-through cover
- Rear seat trunk access



The valet key works only in the ignition and the door locks. You can keep the trunk, trunk release handle, trunk pass-through cover, rear seat trunk access, and glove box locked when you leave your car and the valet key at a parking facility.

You should have received a key number tag with your keys. You will need this key number if you ever have to get a lost key replaced. Keep the tag stored in a safe place. If you need to replace a key, use only Honda-approved key blanks.

These keys contain electronic circuits that are activated by the Immobilizer System. They will not work to start the engine if the circuits are damaged.

- Protect the keys from direct sunlight, high temperature, and high humidity.

- Do not drop the keys or set heavy objects on them.
- Keep the keys away from liquids. If they get wet, dry them immediately with a soft cloth.

The DX model keys do not contain batteries. Do not try to take them apart.

### *Remote Transmitter*

Some models also come with two remote transmitters built into the master keys; see page 80 for an explanation of the remote transmitter operation.

## Keys and Locks

---

### Immobilizer System

The Immobilizer System protects your car from theft. A properly-coded master or valet key must be used in the ignition switch for the engine to start. If an improperly-coded key (or other device) is used, the engine's fuel system is disabled.

When you turn the ignition switch to ON (II), the Immobilizer System indicator should come on for a few seconds, then go out. If the indicator starts to blink, it means the system does not recognize the coding of the key. Turn the ignition switch to LOCK (0), remove the key, reinsert it, and turn the switch to ON (II) again.

The system may not recognize your key's coding if another immobilizer key or other metal object is near the ignition switch when you insert the key. To make sure the system recognizes the key code:

- Do not keep other immobilizer keys on the same key ring.
- Use a plastic or leather key fob, not metal.
- Keep other keys away from your car's key and the ignition switch while trying to start the engine.

If the system repeatedly does not recognize the coding of your key, contact your Honda dealer.

The Immobilizer System indicator will also blink several times when you turn the ignition switch from ON (II) to ACCESSORY (I) or LOCK (0).

Do not attempt to alter this system or add other devices to it. Electrical problems could result that may make your car undriveable.

If you have lost your key and you cannot start the engine, contact your Honda dealer.

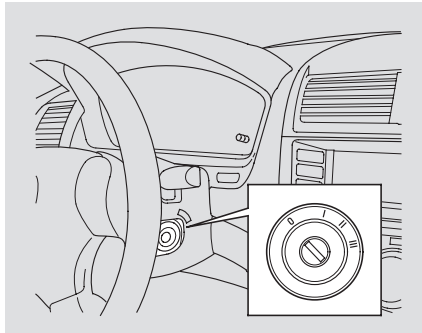
*As required by the FCC:*

*This device complies with Part 15 of the FCC rules. Operation is subject to the following two conditions: (1) This device may not cause harmful interference, and (2) this device must accept any interference received, including interference that may cause undesired operation.*

*Changes or modifications not expressly approved by the party responsible for compliance could void the user's authority to operate the equipment.*

*This device complies with Industry Canada Standard RSS-210. Operation is subject to the following two conditions: (1) this device may not cause interference, and (2) this device must accept any interference that may cause undesired operation of the device.*

### Ignition Switch



The ignition switch is on the right side of the steering column. It has four positions:

- LOCK (0)
- ACCESSORY (I)
- ON (II)
- START (III)

**LOCK (0)** – You can insert or remove the key only in this position. To switch from ACCESSORY to LOCK, you must push the key in slightly as you turn it. If your car has an automatic transmission, the shift lever must also be in Park. The anti-theft lock will lock the steering column when you remove the key. If the front wheels are turned, the anti-theft lock may sometimes make it difficult to turn the key from LOCK to ACCESSORY. Firmly turn the steering wheel to the left or to the right as you turn the key.

### **⚠ WARNING**

Removing the key from the ignition switch while driving locks the steering. This can cause you to lose control.

Remove the key from the ignition switch only when parked.

*CONTINUED*



## Keys and Locks

---

**ACCESSORY (I)** – In this position, you can operate the audio system and the accessory power socket.

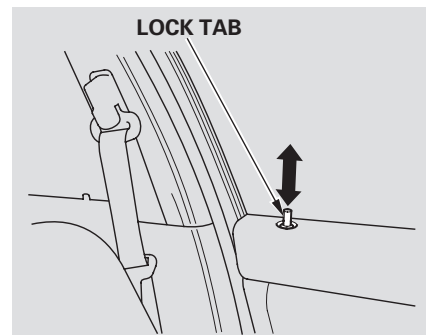
**ON (II)** – This is the normal key position when driving. All features and accessories on the car are usable. Several of the lights on the instrument panel come on as a test when you turn the ignition switch from ACCESSORY to ON.

**START (III)** – Use this position only to start the engine. The switch returns to ON (II) when you let go of the key.

The engine will not start if the Immobilizer System does not recognize the key's coding (see page 76 ).

You will hear a reminder beeper if you leave the key in the ignition switch in the LOCK (0) or ACCESSORY (I) position and open the driver's door. Remove the key to turn off the beeper.

### Door Locks



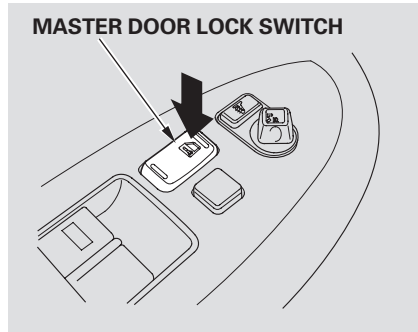
Each door has a lock tab on the top. Push the tab down to lock the door and pull it up to unlock.

To lock any passenger's door when getting out of the car, push the lock tab down and close the door.

### *U.S. DX*

To lock the driver's door, pull and hold either the inside or outside door handle, then push the lock tab down. Release the handle, then close the door.

On all models except DX, you can open or close the windows by using the key in the driver's door (see page 99).



*On all models except U.S. DX*  
Each front door has a master door lock switch. Either switch locks and unlocks all doors. Push the top of the switch to lock all doors; push the bottom to unlock them.

To lock any passenger's door when getting out of the car, push the lock tab in and close the door.

On Canadian DX models, all doors can be locked from the outside by using the key in either front door. To unlock only the driver's door from the outside, insert the key in the driver's door lock, turn the key and release it. If you turn the key again, all doors will unlock. All four doors will unlock when you unlock the passenger's door with the key.

On LX and EX models, all doors can be locked from the outside by using the key in the driver's door. To unlock just the driver's door, turn the key and release it. If you turn the key again, all doors will unlock.

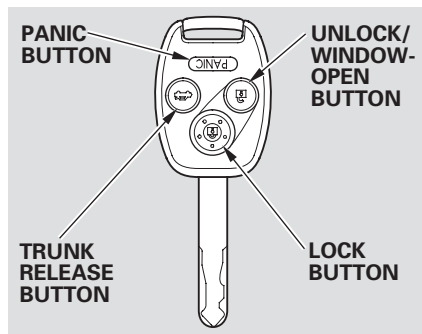
*CONTINUED*

## Keys and Locks

### **Lockout Prevention**

If you forget and leave the key in the ignition switch, Lockout Prevention will not allow you to lock the driver's door. With the driver's door open and the key in the ignition, both master door lock switches are disabled. However, if the driver's door is not open, the master door lock switches are not disabled. Pushing the switch down on the open passenger's door will lock all doors. If you try to lock an open driver's door by pushing in the lock tab, the tabs on all doors pop out. Pushing in the lock tab on the passenger's door only locks that door.

### **Remote Transmitter**



*On all models except U.S. DX*

You can lock and unlock your car with the remote transmitter. When you push the LOCK button, all doors lock. The parking lights, side marker lights, and taillights flash once.

When you push the LOCK button a second time within 5 seconds after you have locked the doors, you will hear a beep to verify that the doors are locked and the security system has set.

When you push the UNLOCK button once, only the driver's door unlocks. The remaining doors unlock when you push the button a second time. The parking lights, side marker lights, and taillights flash twice.

You can open and close all power windows from outside the car with the key. With the remote transmitter, you can open the windows. Refer to Power Windows on page 99.

The ceiling light (if the ceiling light switch is in the center position) will come on when you press the UNLOCK button. If you do not open any door, the light stays on for about 30 seconds, then fades out. If you relock the doors with the remote transmitter before 30 seconds have elapsed, the light will go off immediately.

You cannot lock the doors with the remote transmitter if any door is not fully closed or the key is in the ignition switch.

*On all models except U.S. and Canada DX*

If you unlock the doors with the remote transmitter, but do not open any of the doors within 30 seconds, the doors automatically relock and the security system sets.

To open the trunk, push the Trunk Release button for approximately one second.

The trunk will not open if the key is in the ignition switch.

*CONTINUED*

## Keys and Locks

### ***Panic Mode***

*On all models except U.S. and Canada DX*

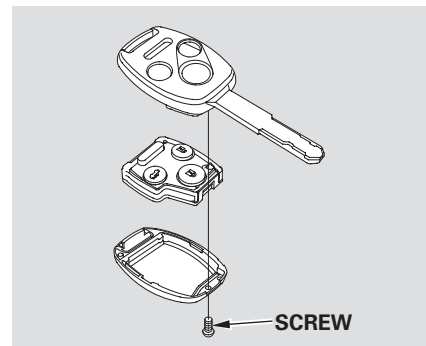
Panic mode allows you to remotely activate your car's horn and exterior lights to attract attention. The horn sounds and the exterior lights flash for about 30 seconds. To activate panic mode, press and hold the PANIC button for about two seconds.

To cancel Panic mode before 30 seconds, press any button on the remote transmitter. You can also turn the ignition switch to ON (II).

### ***Replacing the Battery***

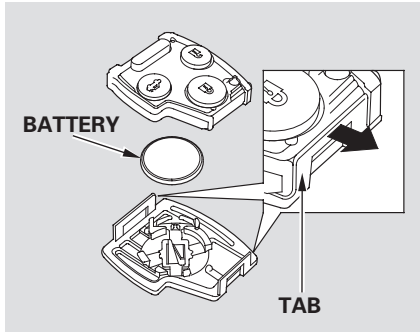
When the remote transmitter's battery begins to get weak, it may take several pushes on the button to lock or unlock the doors, and the LED will not light. Replace the battery as soon as possible.

Battery type: CR1616



To replace the battery:

1. Remove the screw at the base of the transmitter with a small Phillips-head screwdriver.
2. Separate the transmitter by prying its middle seam with your fingernail.



3. Inside the transmitter, separate the inner cover from the keypad by releasing the two tabs on the cover.
4. Remove the old battery from the back of the inner cover, and note the polarity. Make sure the polarity of the new battery is the same (+ side facing down), then insert it into the back of the cover.
5. Install the parts in reverse order.

### *As required by the FCC:*

*This device complies with Part 15 of the FCC rules. Operation is subject to the following two conditions: (1) This device may not cause harmful interference, and (2) this device must accept any interference received, including interference that may cause undesired operation.*

*Changes or modifications not expressly approved by the party responsible for compliance could void the user's authority to operate the equipment.*

*This device complies with Industry Canada Standard RSS-210.*

*Operation is subject to the following two conditions: (1) this device may not cause interference, and (2) this device must accept any interference that may cause undesired operation of the device.*

### **Transmitter Care**

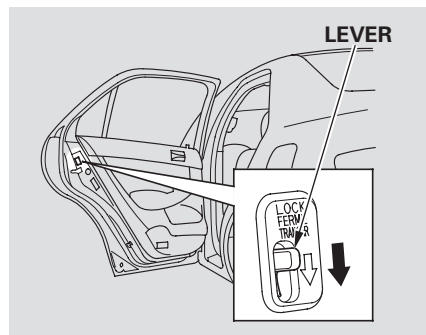
Avoid severe shock to the transmitter, such as dropping or throwing it. Also, protect it from extreme hot or cold temperatures.

Clean the transmitter case with a soft cloth. Do not use strong cleaners or solvents that could harm the case. Immersing the transmitter in any liquid will harm the transmitter and cause it to not function properly.

If you lose a transmitter, you will need to have the replacement programmed to your car's system by your Honda dealer. Any other transmitters you have will also need to be reprogrammed.

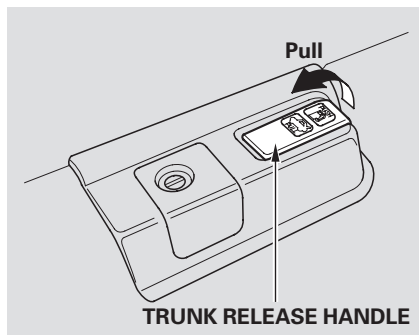
## Keys and Locks

### Childproof Door Locks



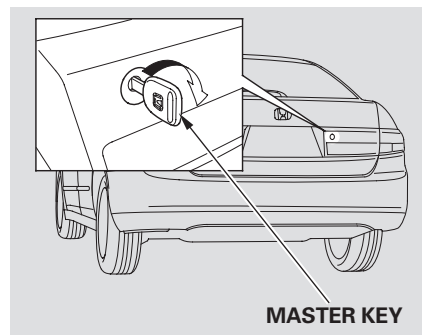
The childproof door locks are designed to prevent children seated in the rear from accidentally opening the rear doors. Each rear door has a lock lever near the edge. With the lever in the Lock position, the door cannot be opened from the inside regardless of the position of the lock tab. To open the door, pull the lock tab up and use the outside door handle.

### Trunk



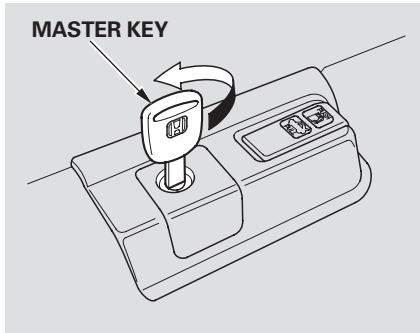
You can open the trunk in three ways:

- Pull the trunk release handle to the left of the driver's seat.
- Use the master key to open the trunk lock. The valet key does not work in this lock.
- Press and hold the trunk release button on the remote transmitter. (all models except U.S. DX)



To close the trunk, press down on the trunk lid.

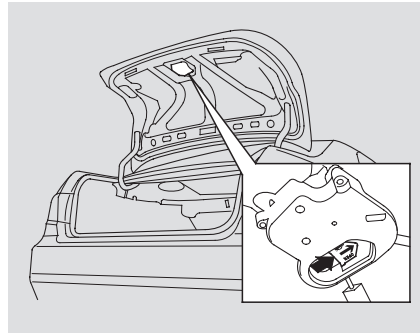
See page [214](#) for cargo loading and weight limit information. Keep the trunk lid closed at all times while driving to avoid damaging the lid, and to prevent exhaust gas from getting into the interior. See **Carbon Monoxide Hazard** on page [52](#).



To protect items in the trunk when you need to give the key to someone else:

1. Lock the trunk release handle with the master key. Also make sure the trunk pass-through cover is locked (see page [94](#) ).
2. Give the person the valet key.

### Emergency Trunk Opener



As a safety feature, your car has a release lever on the trunk latch so the trunk can be opened from the inside.

To open the trunk, push the release lever to the left.

Parents should decide if their children should be shown how to use this feature.

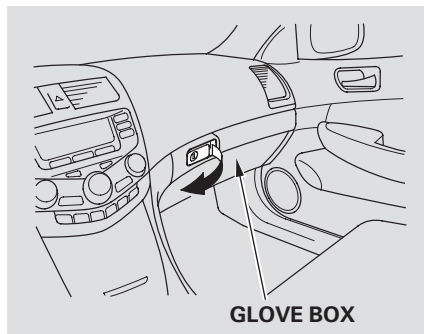
For more information about child safety, see page [25](#) .



## Keys and Locks

---

### Glove Box



Open the glove box by pulling the handle to the left. Close it with a firm push. Lock or unlock the glove box with the master key.

The glove box light comes on when the parking lights are on.

### **⚠ WARNING**

An open glove box can cause serious injury to your passenger in a crash, even if the passenger is wearing the seat belt.

Always keep the glove box closed while driving.

All V6 models, and the 4-cylinder EX model with leather interior have a power adjustable driver's seat.

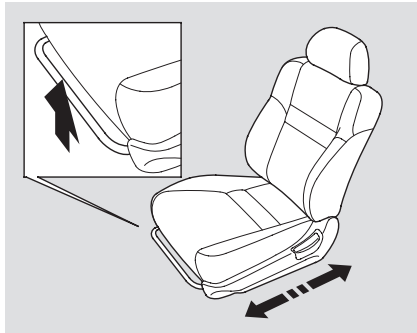
The EX-V6 model also has a power adjustable passenger's seat (See page 91).

The 4-cylinder EX models without leather interior have a power seat bottom height adjustment. All other seat adjustments in these models are manual.

The DX and LX models in the U.S. have manual seat adjustments (see next column).

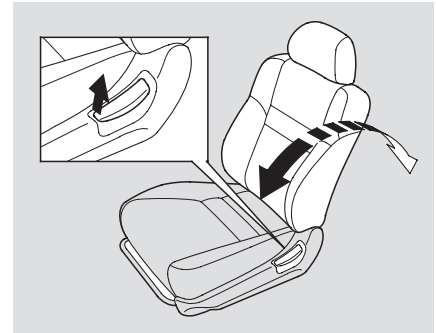
The front passenger's seat in all 4-cylinder models, and the LX-V6 models adjusts manually.

### Front Seat Adjustments



See pages 13 – 14 for important safety information and warnings about how to properly position seats and seat-backs. Adjust the seat before you start driving.

To adjust the seat forward and backward, pull up on the lever under the seat cushion's front edge. Move the seat to the desired position and release the lever. Try to move the seat to make sure it is locked in position.

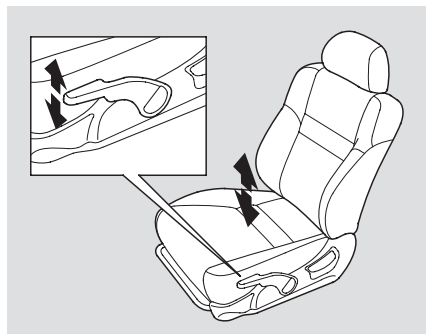


To change the angle of the seat-back, pull up on the lever on the outside of the seat bottom. Move the seat-back to the desired position and release the lever. Let the seat-back latch into the new position.

## Seat Adjustments

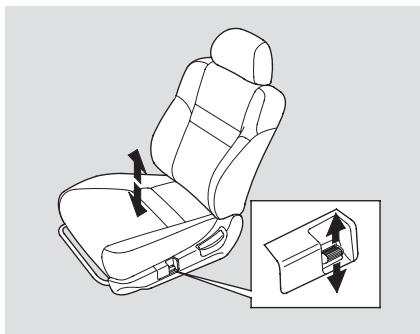
---

### Driver's Seat Manual Height Adjustment



*On 4-cylinder LX models*  
The height of your driver's seat is adjustable. To raise the seat bottom, repeatedly pull up the lever on the outside of the seat cushion. To lower the seat, push down the lever repeatedly.

### Driver's Seat Power Height Adjustment



*On all EX models without leather interior*  
The height of your driver's seat is power adjustable. Pull up on the switch to raise the seat. Push it down to lower the seat.

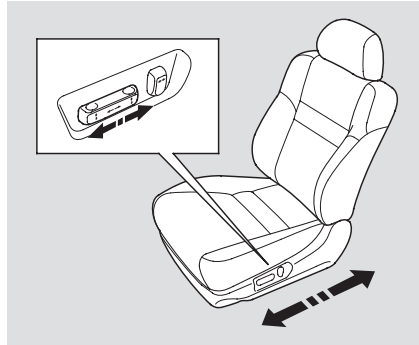
Make all adjustments before you start driving.

### Driver's Seat Full Power Adjustments

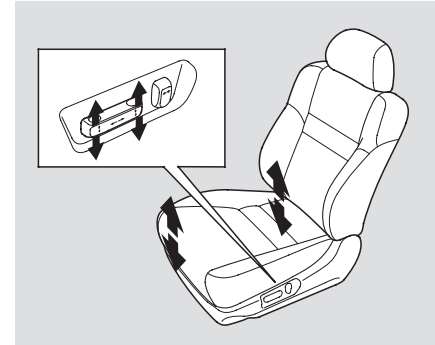
*On all V6 models, and the 4-cylinder EX model with leather interior*  
See pages 13 – 14 for important safety information and warnings about how to properly position seats and seat-backs.

The two power seat adjustment switches are on the outside edge of the seat bottom. The horizontal switch adjusts the seat bottom in several directions. The short vertical switch adjusts the seat-back angle.

You can adjust the seat with the ignition switch in any position. Make all adjustments before you start driving.



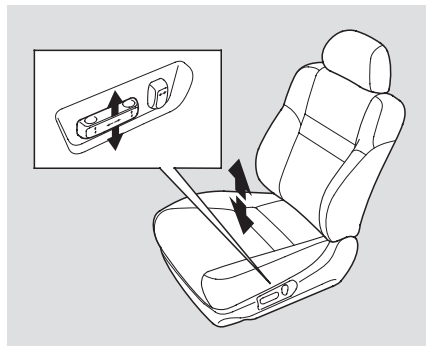
Push the horizontal switch forward or backward to move the seat forward or backward.



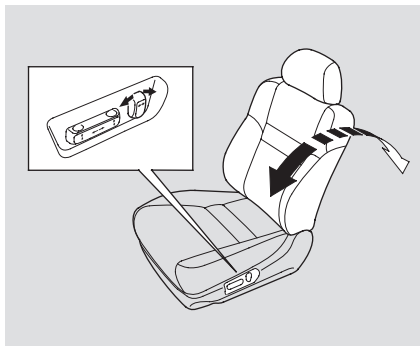
Pull up or push down on the front of the switch to move the seat bottom's front edge up or down. Pull up or push down on the rear of the switch to move the rear of the seat bottom up or down.

CONTINUED

## Seat Adjustments

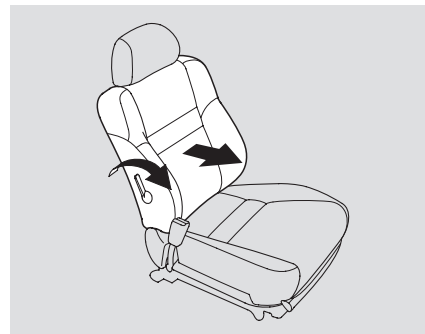


Pull the center of the horizontal switch up to raise the seat. Push it down to lower the seat.



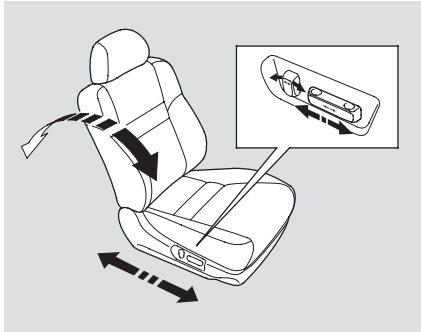
Adjust the seat-back angle by pushing the rear switch in the direction you want to move.

## Driver's Lumbar Support



*On all EX and EX-V6 models*  
Vary the lumbar support by moving the lever on the right side of the seat-back. Move the lever forward to increase support and backward to decrease it.

### Front Passenger's Seat Adjustments

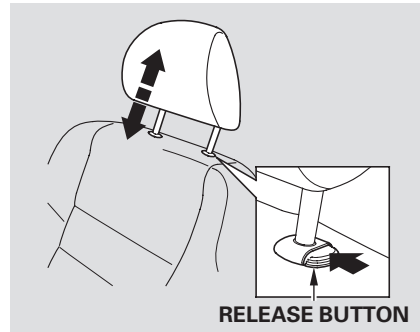


*On EX-V6 model*

The seat adjustment switches are on the outside edge of the seat bottom. Push the long horizontal switch forward or backward to move the seat bottom in that direction.

Adjust the seat-back angle by pushing the vertical switch in the direction you want to move.

### Head Restraints



*See page 15 for important safety information and a warning about how to properly position the head restraints.*

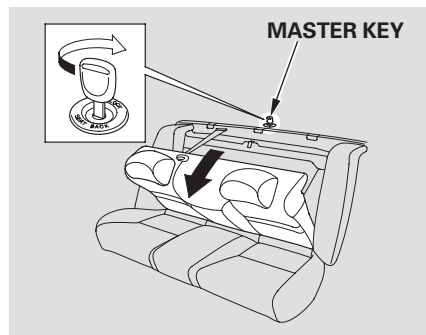
The front head restraints help protect you and your passenger from whiplash and other injuries. They are most effective when you adjust them so the back of the occupant's head rests against the center of the restraint. A taller person should adjust the restraint as high as possible.

The front head restraints adjust for height. You need both hands to adjust the restraint. Do not attempt to adjust it while driving. To raise it, pull upward. To lower the restraint, push the release button sideways and push the restraint down.

To remove a head restraint for cleaning or repair, pull it up as far as it will go. Push the release button and pull the restraint out of the seat-back.

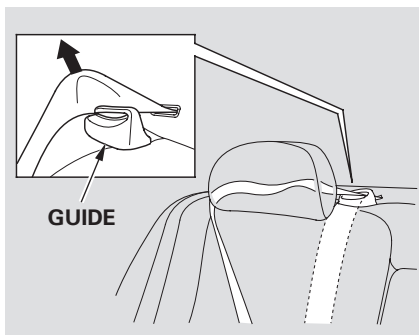
## Seat Adjustments

### Folding Rear Seat

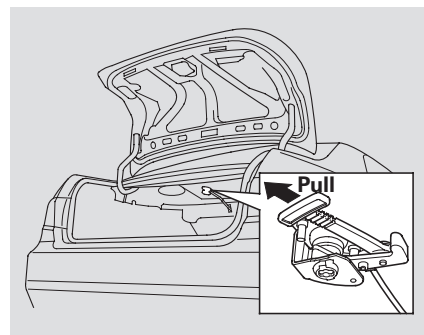


The back of the rear seat folds down, giving you direct access to the trunk. The seat-back can be released from inside the car or inside the trunk.

To fold down the seat-back from inside the car, insert the master key in the lock on the rear shelf. Turn the key clockwise, pull down the top of the seat-back, then release the key.



When storing cargo, you can move the rear center shoulder belt out of the way by removing the belt from the guide.



To release the seat-back from inside the trunk, pull the release loop under the trunk panel.

To lock the seat-back upright, push it firmly against the trunk panel. Make sure it is latched in place by pulling on the top of the seat.

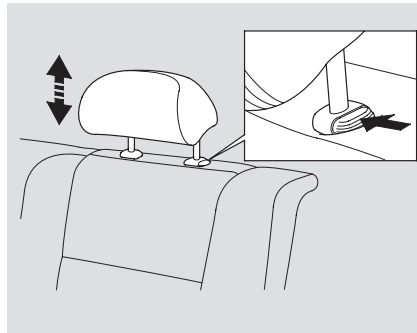
Make sure all rear shoulder belts are positioned in front of the rear seat-back whenever the seat-back is in its upright position.

Make sure all items in the trunk, or items extending through the opening into the back seat, are secured. Loose items can fly forward and cause injury if you have to brake hard. See **Carrying Cargo** on page 214.

Never drive with the seat-back folded down and the trunk lid open. See **Carbon Monoxide Hazard** on page 52.

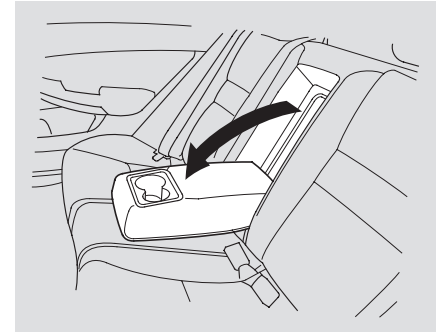
### Rear Head Restraints

The rear head restraints in the outer seat positions are adjustable. Push the release button, and move the restraint to the desired position.



### Rear Seat Armrest

*On all models except U.S. and Canada DX*



The rear seat armrest is located in the center of the rear seat. Pivot it down to use it.

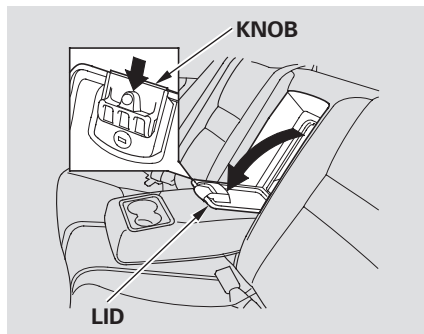
*CONTINUED*



## Seat Adjustments

---

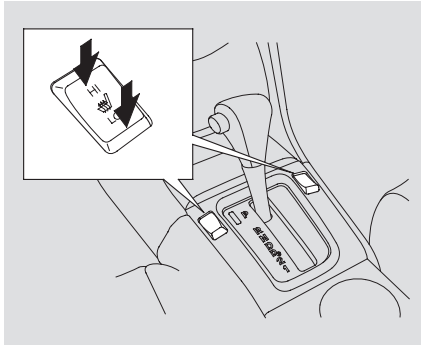
### *Trunk Pass-through Cover*



The pass-through cover can be opened from either side; it folds forward onto the center armrest. Open the cover by sliding the knob downward and pushing or pulling on the cover. To close the cover, swing it up and push firmly on the top. Make sure it latches properly. Make sure all items in the trunk and those extending through the pass-through are secured.

For security, this cover can be locked and unlocked only with the master key. To lock the cover, insert the key and turn it clockwise.

Never drive with this cover open and the trunk lid open.  
See **Carbon Monoxide Hazard** on page [52](#).



*On EX-V6 models and EX models with leather interior*

Both front seats are equipped with seat heaters. Because of the sensors for the side airbag system, there is no heater in the passenger's seat-back. The ignition switch must be ON (II) to use the heaters. Push the front of the switch, HI, to rapidly heat up the seat. After the seat reaches a comfortable temperature, select LO by pushing the back of the switch. This will keep the seat warm.

The HI or LO indicator lights and remains lit until you turn it off by pushing the opposite side of the switch lightly. The indicator will turn off.

In HI, the heater turns off when the seat gets warm, and turns back on after the seat's temperature drops. It continues to cycle as long as you leave it set on HI. The HI indicator remains lit as a reminder that you have the heater on.

In LO, the heater runs continuously. It does not cycle with temperature changes.

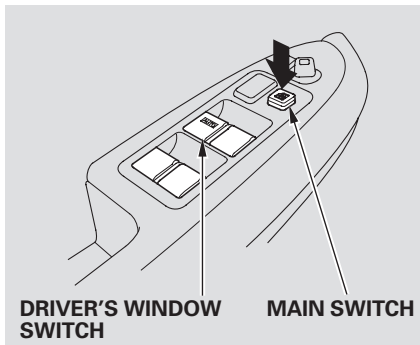
Follow these precautions whenever you use the seat heaters:

- Use the HI setting only to heat the seats quickly. Select the LO setting when the seats feel warm. The HI setting draws large amounts of current from the battery.
- Do not use the seat heaters, even on the LO setting, if the engine is left idling for an extended period. They can weaken the battery, causing hard starting.

## Power Windows

Your car's windows are electrically-powered. Turn the ignition switch to ON (II) to raise or lower any window.

Each door has a switch that controls its window. To open the window, push the switch down and hold it. Release the switch when you want the window to stop. Close the window by pushing the switch up and holding it.



The driver's door armrest has a master power window control panel. To open any of the passenger's windows, push down on the appropriate switch and hold it until the window reaches the desired position. To close the window, pull back on the window switch. Release the switch when the window gets to the position you want.

### **⚠ WARNING**

Closing a power window on someone's hands or fingers can cause serious injury.

Make sure your passengers are away from the windows before closing them.

The master control panel also contains these extra features:

**AUTO** — To open the driver's window fully, push the window switch firmly down, then release it. The window automatically goes down all the way. To stop the window from going all the way down, pull back on the window switch briefly.

To close the driver's window fully, pull back the window switch firmly, then release it. The window automatically goes all the way up. To stop the window from going all the way up, push down on the window switch briefly.

To open or close the driver's window partially, push down or pull back on the window switch lightly and hold it. The window will stop when you release the switch.

### **Auto Reverse**

If the driver's window runs into any obstacle while it is closing automatically, it will stop, and then reverse direction. To close the window, remove the obstacle, then use the window switch again.

Auto reverse stops sensing when the window is almost closed. You should always check that all passengers and objects are away from the window before closing it.

The MAIN switch controls power to the passengers' windows. With this switch off, the passengers' windows cannot be raised or lowered. The MAIN switch does not affect the driver's window. Keep the MAIN switch off when you have children in the car so they do not injure themselves by operating the windows unintentionally.

*CONTINUED*

## Power Windows

---

If your car's battery is disconnected or goes dead, or the driver's window fuse is removed, the AUTO function will be disabled. The power window system needs to be reset after reconnecting the battery or installing the fuse. You should do the following.

1. Start the engine. Push down on the driver's window switch until the window is fully open.
2. Pull back on the driver's window switch to close the window completely, then hold the switch for a second or two more.

If the power windows do not operate properly after resetting, have your car checked by a Honda dealer.

The power window system has a key-off delay function. The windows will still operate for up to ten minutes after you turn off the ignition. Opening either front door cancels the delay function. You must turn the ignition switch ON (II) again before you can raise or lower the windows.

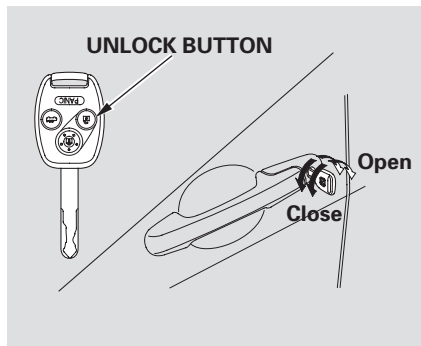
### Power Window Control Operations

#### *Opening the Windows with the Remote Transmitter*

You can open all of the windows from the outside with the remote transmitter.

1. Press the UNLOCK button once to unlock the driver's door.
2. Press the UNLOCK button a second time, and hold it. The passenger's doors unlock, and all four windows start to open. To stop the windows, release the button.
3. To open the windows further, press the button again.

You cannot close the windows with the remote transmitter.



#### *Opening/Closing the Windows with the Key*

*All models except U.S. and Canada DX*  
You can open and close the windows with the key in the driver's door lock.

To open:

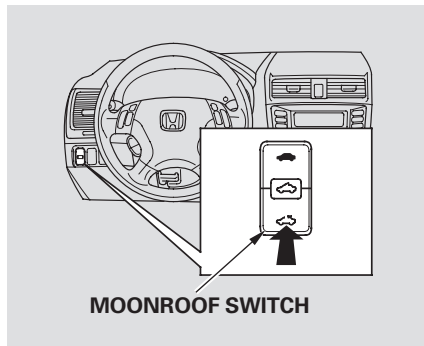
1. Insert the key in the driver's door lock.
2. Turn the key clockwise, then release it.

3. Turn the key clockwise again, and hold it. All four windows start to open. To stop the windows, release the key.
4. To open the windows further, turn and hold the key again.

To close:

1. Insert the key in the driver's door lock.
2. Turn the key counterclockwise, then release it.
3. Turn the key counterclockwise again, and hold it. All four windows start to close. To stop the windows, release the key.
4. To close the windows further, turn and hold the key again.

## Moonroof



*On all EX and EX-V6 models*

The moonroof has two positions: it can be tilted up in the back for ventilation, or it can be slid back into the roof. Use the switch under the left dashboard vent to operate the moonroof. The ignition switch must be ON (II).

To tilt up the back of the moonroof, press and hold the center button (☁️). To close the moonroof, press and hold the upper button (🚗). To open the moonroof, press and hold the lower button (☁️). Release the button when the moonroof gets to the desired position. Make sure everyone's hands are away from the moonroof before opening or closing it.

### ⚠️ WARNING

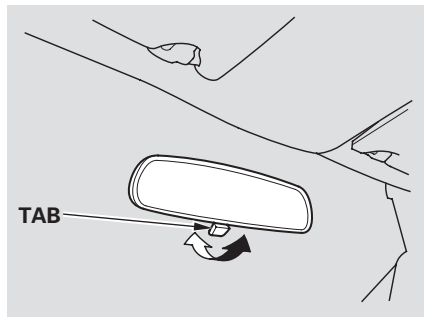
Opening or closing the moonroof on someone's hands or fingers can cause serious injury.

Make sure all hands and fingers are clear of the moonroof before opening or closing it.

The moonroof has a key-off delay. You can still open and close the moonroof for up to ten minutes after you turn off the ignition. The key-off delay cancels as soon as you open either front door. You must then turn the ignition ON (II) for the moonroof to operate.

### NOTICE

*If you try to open the moonroof in below-freezing temperatures, or when it is covered with snow or ice, you can damage the moonroof panel or motor.*

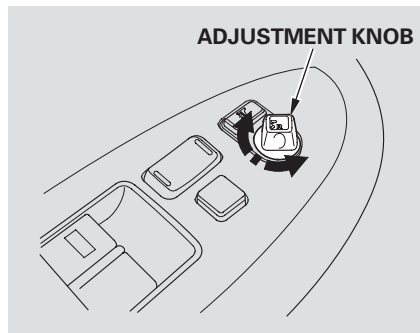


Keep the inside and outside mirrors clean and adjusted for best visibility. Be sure to adjust the mirrors before you start driving.

The outside mirrors on DX models adjust manually.

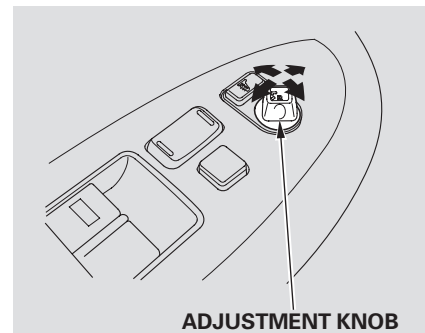
The inside mirror has day and night positions. The night position reduces glare from headlights behind you. Flip the tab on the bottom edge of the mirror to select the day or night position.

## Adjusting the Power Mirrors



*On all models except U.S. and Canada DX*  
Adjust the outside mirrors with the adjustment knob on the driver's door armrest:

1. Turn the ignition switch ON (II).
2. Turn the adjustment knob to L (driver's side) or R (passenger's side).

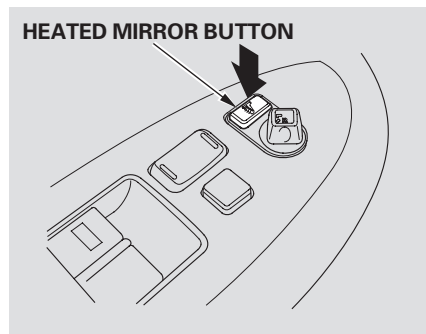


3. Push or pull the adjustment knob in the appropriate direction to move the mirror right, left, up, or down.
4. When you finish, turn the adjustment knob to the center (off) position. This turns off the adjustment knob so you can't move a mirror out of position by accidentally bumping the knob.

*CONTINUED*

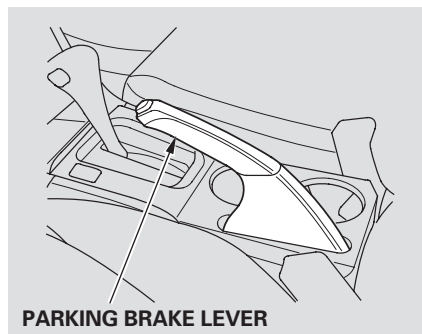


## Mirrors, Parking Brake



*On all Canadian models except DX*  
The outside mirrors are heated to remove fog and frost. With the ignition switch ON (II), turn on the heaters by pressing the button. The light in the button comes on as a reminder. Press the button again to turn the heaters off.

### Parking Brake

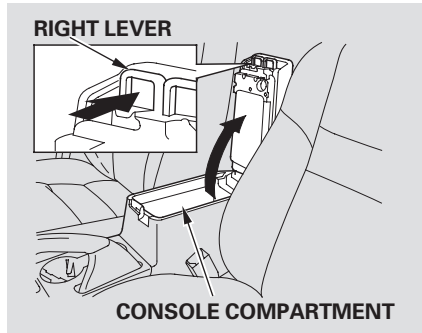


To apply the parking brake, pull the lever up fully. To release it, pull up slightly, push the button, and lower the lever. The parking brake light on the instrument panel should go out when the parking brake is fully released with the engine running (see page 58).

### NOTICE

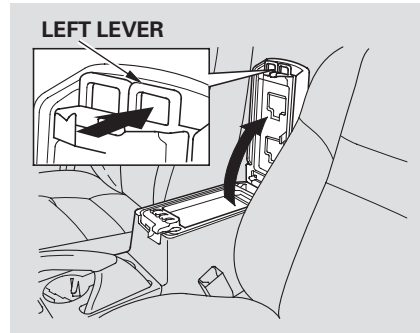
*Driving the car with the parking brake applied can damage the rear brakes and hubs.*

### Console Compartment



To open the console compartment, pull up on the right lever and lift the armrest.

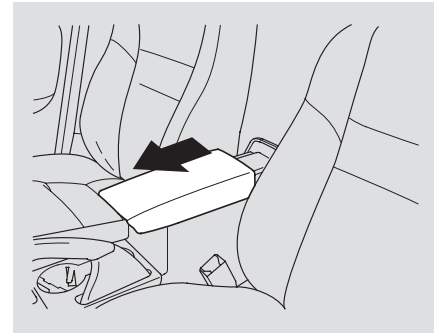
To close, lower the armrest and push it down until it latches.



You can put small items in the tray located in the console compartment lid. To use the tray, pull up on the left lever and lift up the armrest.

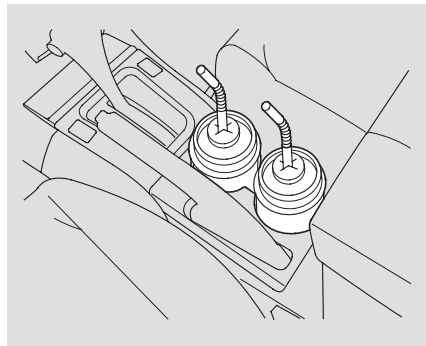
On models except DX, the tray in the console compartment has a coin holder.

### Armrest



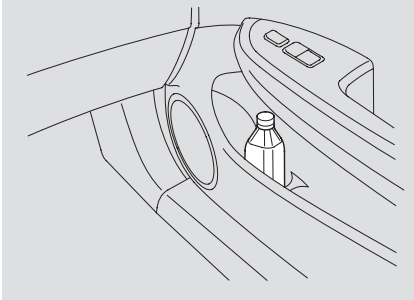
To use the console lid as an armrest, slide it to the desired position.

## Beverage Holders

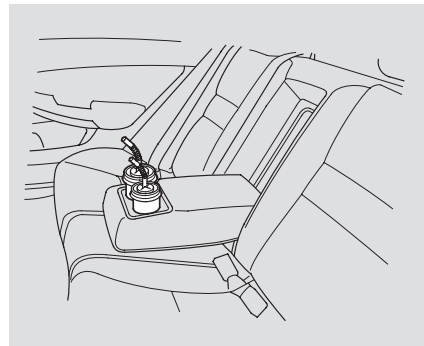
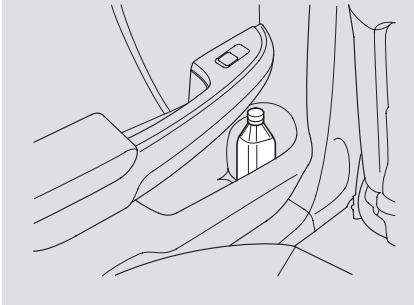


Be careful when you are using the beverage holders. A spilled liquid that is very hot can scald you or your passengers. Liquid can also spill from the door pocket beverage holders when you close the doors. Use only resealable containers in the door pockets.

**FRONT DOOR**



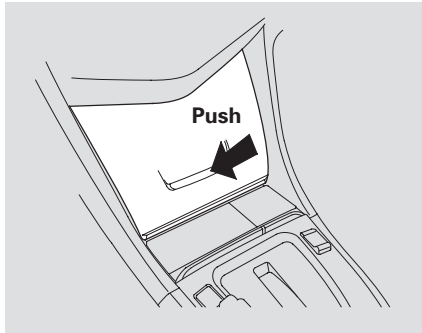
**REAR DOOR**



*On all models except U.S. and Canada DX*

The rear seat also has a beverage holder in the center armrest. To use it, pivot the armrest down.

### Center CD Pocket

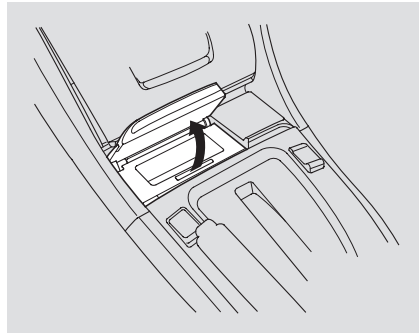


To open the center CD pocket, push down on the center of the lid to unlatch it. It will swing open automatically.

To close it, push the lid down until it latches.

This pocket can store up to 12 CDs.

### Coin Pocket



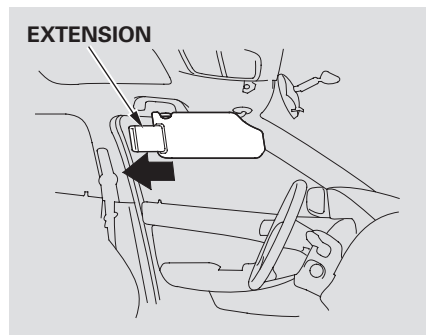
To open the coin pocket, pull the lid up.

To close it, push the lid down until it latches.

The compartment cannot be used as an ashtray.

## Sun Visor, Vanity Mirror

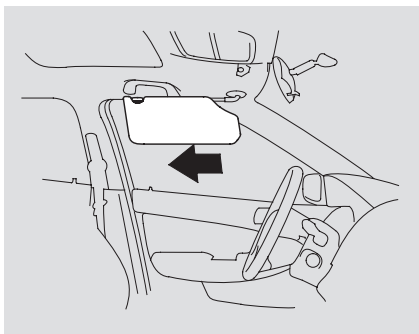
### Sun Visor



To use the sun visor, pull it down. You can also use the sun visor at the side window. Remove the support rod from the clip and swing the sun visor toward the side window. In this position, the sun visor can be extended by sliding out the extension (all models except DX and those with side curtain airbags).

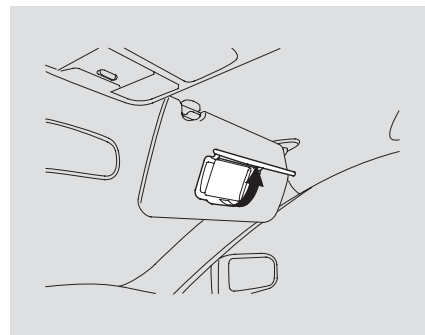
Do not use the sun visor extension over the rear view mirror.

*On EX-V6 models with side curtain airbags*



In this position, the sun visor can be adjusted by moving it on its slider. Make sure you put the sun visor back in place when you are getting into or out of the car.

### Vanity Mirror



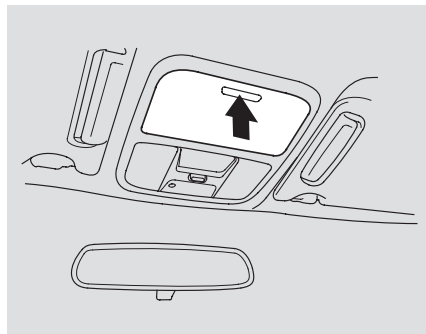
To use a vanity mirror on the back of the sun visor, pull up the cover.

All models except the DX have lighted vanity mirrors.

The lights beside the mirror come on when you pull up the cover.

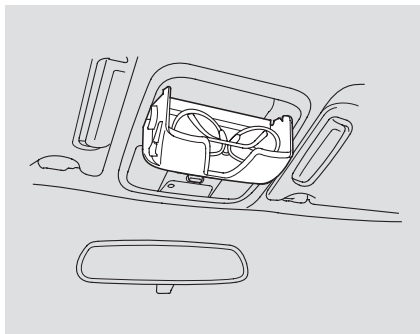
## Sunglasses Holder, Accessory Power Sockets

### Sunglasses Holder



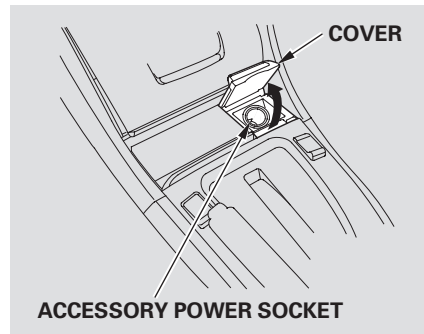
*On all models except U.S. and Canada DX*

To open the sunglasses holder, push on the front edge. It will unlatch and swing down. To close it, push it until it latches. Make sure the holder is closed while you are driving.



Some larger styles of sunglasses may not fit in the holder.

### Accessory Power Sockets

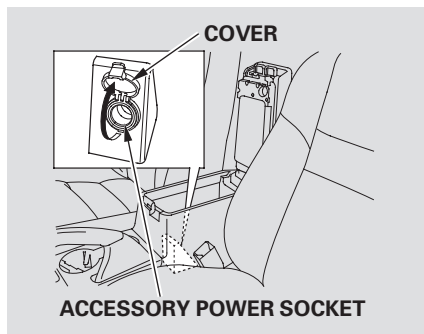


There are two accessory power sockets, one is located in the front of the center console. The other is located in the center console compartment. To use an accessory power socket, the ignition switch must be in ACCESSORY (I) or ON (II).

To open the socket, pull the cover up.

*CONTINUED*

## Accessory Power Sockets, Interior Lights

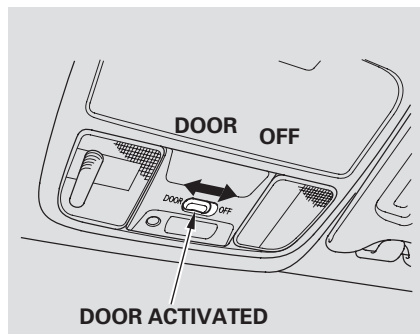


These sockets are intended to supply power for 12 volt DC accessories that are rated 120 watts or less (10 amps).

When both sockets are being used, the combined power rating of both accessories should be 120 watts or less (10 amps).

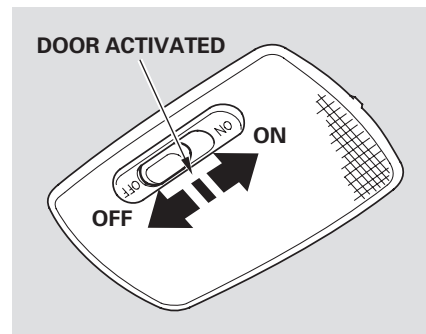
They will not power an automotive type cigarette lighter element.

### Ceiling Lights



*On EX and EX-V6*

The ceiling light has a two-position switch. In the OFF position, the light does not come on. In the DOOR position, the ceiling light comes on when you open any door.



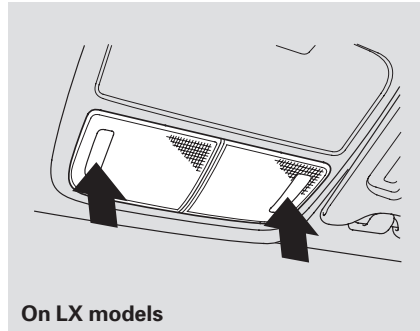
The ceiling light has a three-position switch. In the OFF position, the light does not come on. In the center position, the ceiling light comes on when you open any door.

After all doors are closed tightly, the light dims slightly, then fades out in about 30 seconds. In the ON position, the ceiling light stays on continuously.

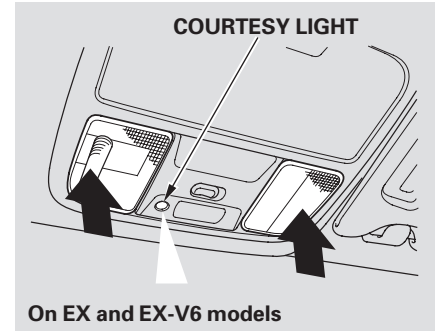
### *All models except DX*

The ceiling light (with the switch in the center position) also comes on when you unlock the door with the remote transmitter (see page 80). The light fades out after all doors are closed.

### Spotlights



Turn on the spotlight by pushing the lens. Push the lens again to turn it off. You can use the spotlights at all times.



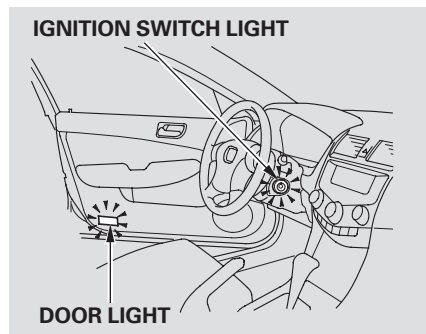
The courtesy light between the spotlights comes on when you turn the parking lights on. To adjust its brightness, turn the Select/Reset knob on the instrument panel.



# Interior Lights

---

## Courtesy Lights



*On all models except U.S. and Canada  
DX*

Each front door has a courtesy light. This light comes on when you open the door.

Your car also has a courtesy light in the ignition switch. This light comes on when you open the driver's door. It remains on for several seconds after the door is closed.

## Comfort and Convenience Features

Heating and Cooling.....	112	Tape Search Functions .....	148	CD Changer Error	
What Each Control Does.....	112	Caring for the Cassette		Indications .....	185
How to Use the System.....	115	Player .....	149	Protecting Compact Discs .....	186
To Turn Everything Off .....	118	Audio System .....	150	Operating the Cassette	
Climate Control System.....	119	<i>Without Navigation System</i>		Player .....	187
<i>Without Navigation System</i>		Operating the Radio .....	151	Tape Search Functions .....	189
Fully-automatic Operation .....	121	Adjusting the Sound.....	155	Caring for the Cassette	
Semi-automatic Operation .....	122	Digital Clock.....	156	Player .....	191
<i>With Navigation System</i>		Operating the CD Changer .....	157	Remote Audio Controls .....	192
Fully-automatic Operation .....	127	Protecting Compact Discs.....	163	Theft Protection .....	193
Manual Operation.....	128	CD Changer Error		Security System .....	194
Sunlight Sensor/		Indications .....	164	Cruise Control.....	195
Temperature sensor.....	133	Operating the Cassette		Homelink Wireless Control	
Audio System .....	134	Player .....	165	System.....	198
<i>DX and LX models</i>		Tape Search Functions .....	167		
Operating the Radio .....	134	Caring for the Cassette			
Adjusting the Sound.....	138	Player .....	168		
Digital Clock.....	139	Audio System .....	169		
Operating the CD Player .....	140	<i>With Navigation System</i>			
Protecting Compact Discs .....	142	Operating the Radio .....	170		
Operating the CD Changer .....	142	Adjusting the Sound .....	173		
CD player Error Indications.....	144	Digital Clock .....	174		
CD Changer Error		Radio Frequencies .....	175		
Indications .....	145	Radio Reception .....	175		
Operating the Cassette		Operating the CD Changer .....	177		
Player .....	146	Protecting Compact Discs.....	184		

## Heating and Cooling

*On all models except EX-L and EX-V6*  
Proper use of the Heating and Cooling system can make the interior dry and comfortable, and keep the windows clear for the best visibility.

If your car does not have air conditioning, it can be installed at any time. Your dealer can install a genuine Honda air conditioning system that meets Honda's high quality standards and is designed to exactly fit your car. Please contact your dealer for more information.

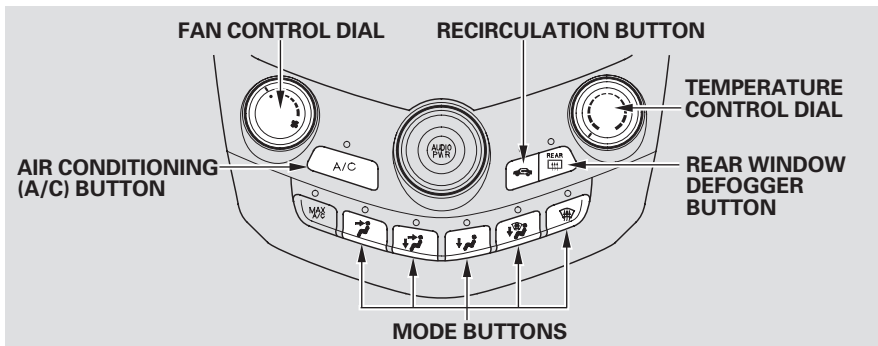
### What Each Control Does

#### Fan Control Dial

Turning this dial clockwise increases the fan's speed, which increases air flow.

#### Temperature Control Dials

Turning this dial clockwise increases the temperature of the air flow.



#### Air Conditioning (A/C) Button

Air Conditioning is optional on the U.S. DX model.

This button turns the air conditioning ON and OFF. The indicator above the button lights when the A/C is on.

#### Rear Window Defogger Button

This button turns the rear window defogger on and off (see page 72 ).


#### Recirculation Button

This button controls the source of air going into the system. When the indicator above this button is lit, air from the car's interior is sent through the system again (Recirculation mode). When the indicator is off, air is brought in from outside the car (Fresh Air mode).


### Mode Buttons

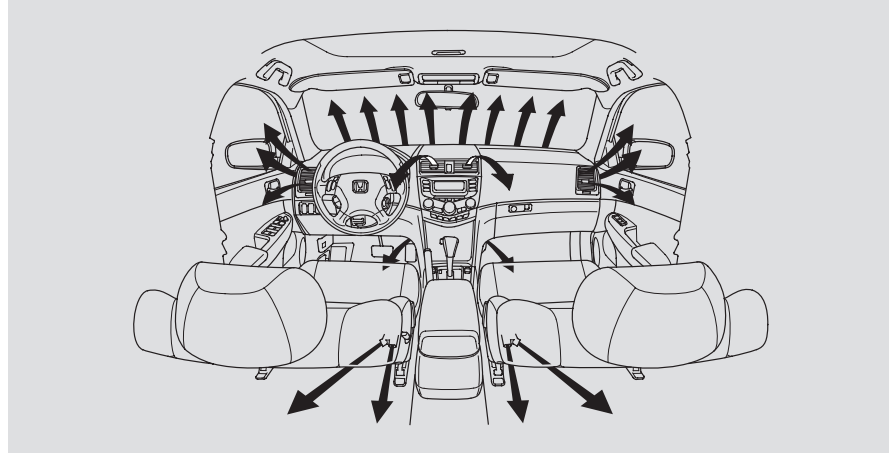
Use the MODE buttons to select the vents the air flows from. Some air will flow from the dashboard corner vents in all modes.




 Air flows from the center and corner vents in the dashboard.

 Air flow is divided between the vents in the dashboard and the floor vents.

 Air flows from the floor vents.

 Air flow is divided between the floor vents and the defroster vents at the base of the windshield.



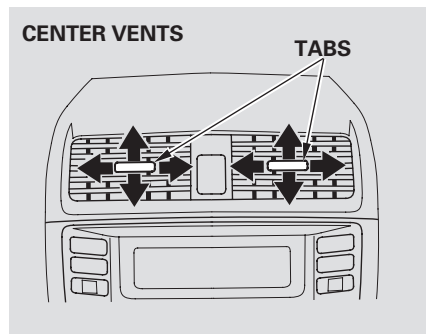
 Air flows from the defroster vents at the base of the windshield, and the corner vents in the dashboard. When you select  or , the system automatically switches to Fresh Air mode.

**MAX A/C** The system automatically turns on the A/C and switches to Recirculation mode. Air flows from the center and side vents in the dashboard.

# Heating and Cooling

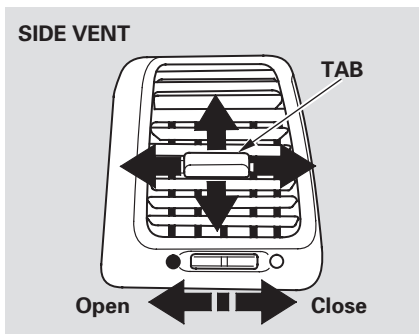
---

## Vent Controls



The direction of air flow from the vents in the center and each side of the dashboard is adjustable.

To adjust the air flow from the center vent, move the tab up-and-down and side-to-side.



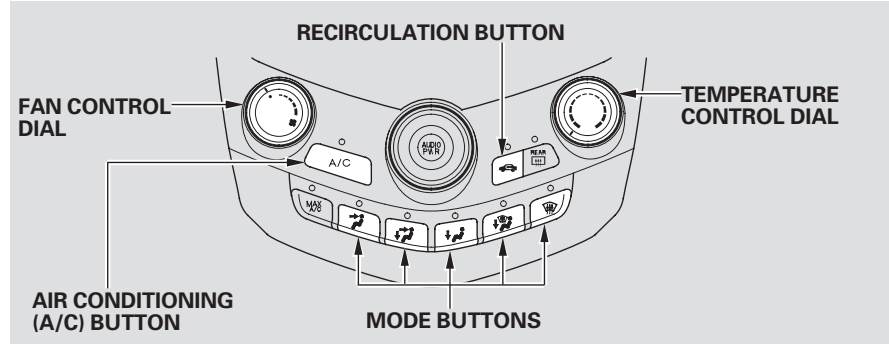
The vents in the corners of the dashboard can be opened and closed with the dials underneath them.

### How to Use the System

This section covers how to set up the system controls for ventilation, heating, cooling, dehumidifying, and defrosting.

The engine must be running for the heater and air conditioning to generate hot and cold air. The heater uses engine coolant to warm the air. If the engine is cold, it will be several minutes before you feel warm air coming from the system. The air conditioning does not rely on engine temperature.


It is best to leave the system in Fresh Air mode under almost all conditions. Keeping the system in Recirculation mode, particularly with the A/C off, can cause the windows to fog up. Switch to Recirculation mode when you are driving through smoky or dusty conditions, then switch back to Fresh Air mode when the condition clears.



The outside air intakes for the heating and cooling system are at the base of the windshield. Keep these clear of leaves and other debris.

### Ventilation

The flow-through ventilation system draws in outside air, circulates it through the interior, then exhausts it through vents near the rear window.


1. Turn the temperature control dial all the way to the left. Make sure the A/C is off.
2. Select  and Fresh Air mode.
3. Set the fan to the desired speed.

*CONTINUED*

## Heating and Cooling

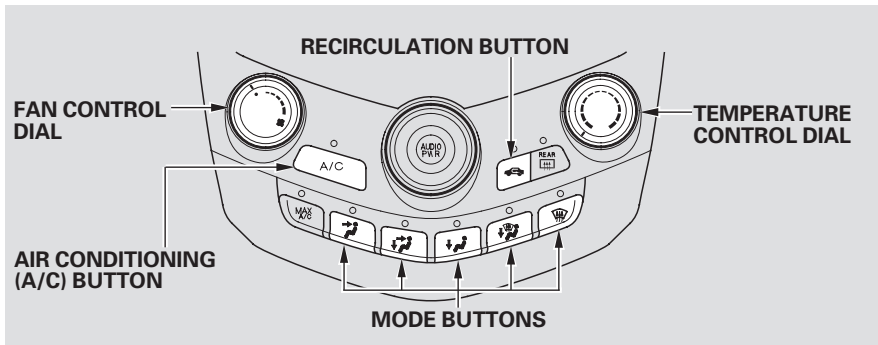
### To Cool with A/C

On cars with manual air conditioning system

1. Turn on the A/C by pressing the A/C button. The light above the button should come on when a fan speed is selected.
2. Make sure the temperature control dial is set to maximum cool.
3. Select .
4. If the outside air is humid, select Recirculation mode. If the outside air is dry, select Fresh Air mode.
5. Set the fan to the desired speed.

If the interior is very warm from being parked in the sun, you can cool it down more rapidly by setting up the controls this way:

1. Start the engine.
2. Turn on the A/C by pressing the A/C button. Make sure the temperature control dial is set to maximum cool.
3. Set the fan to maximum speed.




4. Open the windows partially. Select  and Fresh Air mode.

When the interior has cooled down to a more comfortable temperature, close the windows and set the controls as described for normal cooling.

Air conditioning places an extra load on the engine. Watch the engine coolant temperature gauge (see page 64) when driving in stop-and-go traffic or climbing a long, steep hill. If it moves near the red zone, turn off the A/C until the gauge reads normally.


### *To Heat*

To warm the interior:

1. Start the engine.
2. Select  and Fresh Air mode.
3. Set the fan to the desired speed.
4. Adjust the warmth of the air with the temperature control dial.

### *To Heat and Dehumidify with Air Conditioning*


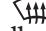
Air conditioning, as it cools, removes moisture from the air. When used in combination with the heater, it makes the interior warm and dry.


1. Set the fan to the desired speed.
2. Turn on the air conditioning.
3. Select  and Fresh Air mode.
4. Adjust the temperature control dial so the mixture of heated and cooled air feels comfortable.

Once the engine is warmed up, this setting is suitable for all driving conditions.

### *To Defog and Defrost*

To remove fog from the inside of the windows:

1. Set the fan to the desired speed.
2. Select  .  
When you select  , the system automatically switches to Fresh Air mode and turns on the A/C. (The indicator above the A/C button stays off.)
3. Adjust the temperature control dial so the air flow from the defroster vents feels warm.
4. Turn on the rear window defogger to help clear the rear window.

When you switch to another mode from  , the A/C turns off. But if it was on to start with, it stays on.

*CONTINUED*





## Heating and Cooling

---

To remove exterior frost or ice from the windshield and side windows after the car has been sitting out in cold weather:

1. Start the engine.

2. Select .

When you select , the system automatically switches to Fresh Air mode and turns on the A/C. (The indicator above the A/C button stays off.)

3. Set the fan and temperature controls to maximum.

To rapidly remove exterior frost or ice from the windshield (on very cold days), first select the Recirculation mode. Once the windshield is clear, select the Fresh Air mode to avoid fogging the windows.

These settings direct all the air flow to the defroster vents at the base of the windshield and the side window defroster vents. The air flow will get warmer and clear the windows faster as the engine warms up. You can close the side vents with the dial underneath each vent. This will send more warm air to the windshield defroster vents.

For safety, make sure you have a clear view through all the windows before driving away.

### To Turn Everything Off

To shut off the system temporarily, turn the fan speed and temperature control dials all the way to the left.

You should shut the system completely off only for the first few minutes of driving in cold weather, until the engine coolant warms up enough to operate the heater. Keep the fan on at all other times so stale air does not build up in the interior.

## Climate Control System

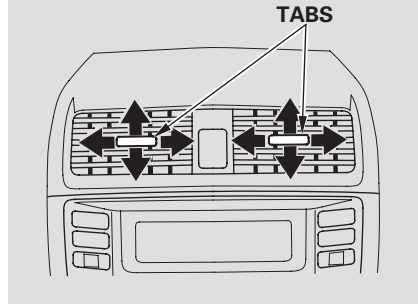
*On 4-cylinder EX models with leather interior and EX-V6 models only*  
The automatic climate control system in your Honda picks the proper combination of air conditioning, heating, and ventilation to maintain the interior temperature you select. The system also adjusts the fan speed and air flow levels.

The direction of air flow from the vents in the center and each side of the dashboard is adjustable.

The climate control system draws air through the exterior vents at the bottom of the windshield. Keep these vents clear of leaves and other debris.

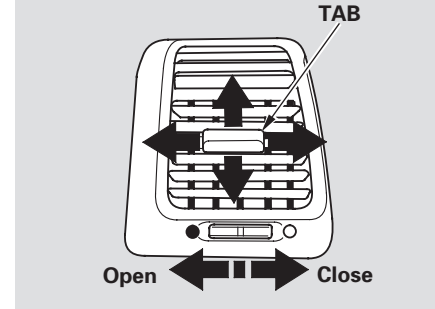
For the climate control system to provide heating and cooling, the engine must be running.

### CENTER VENTS



To adjust the air flow from the center vent, move the tab up-and-down and side-to-side.

### SIDE VENT

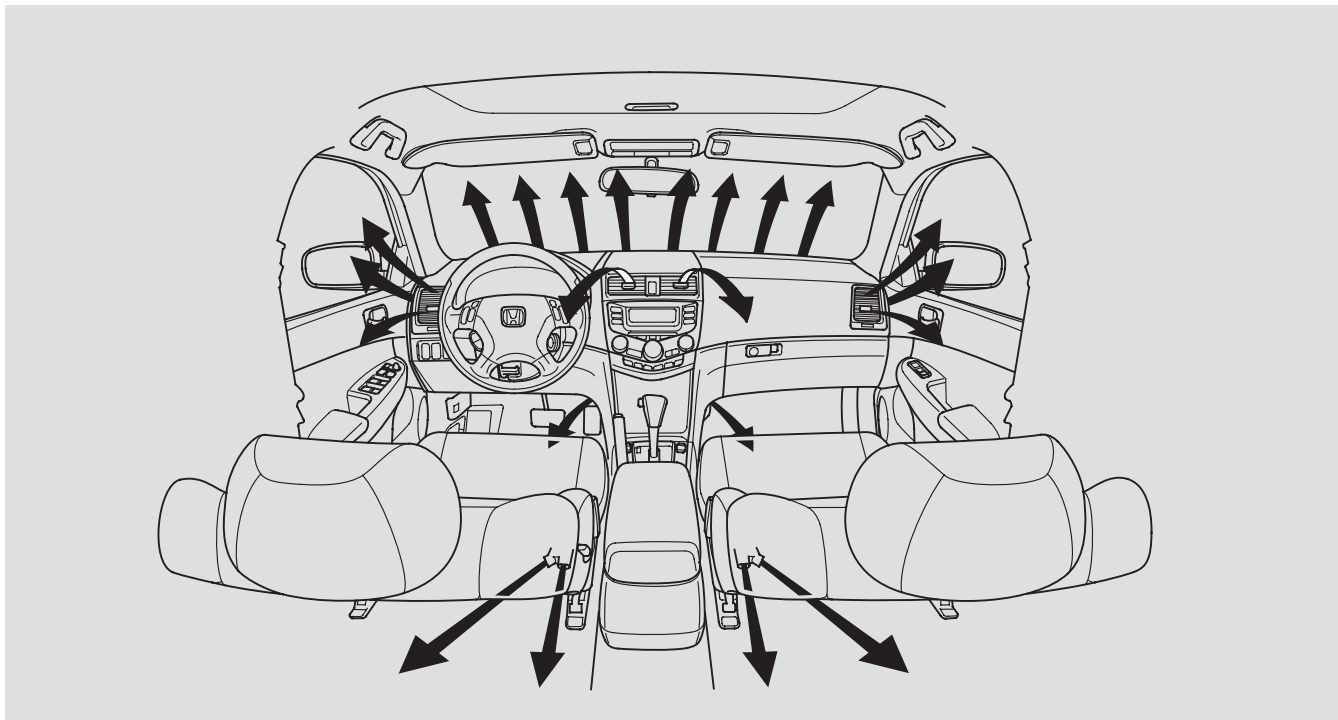


The side vents can be opened and closed with the dials underneath them.

*CONTINUED*

## Climate Control System

---

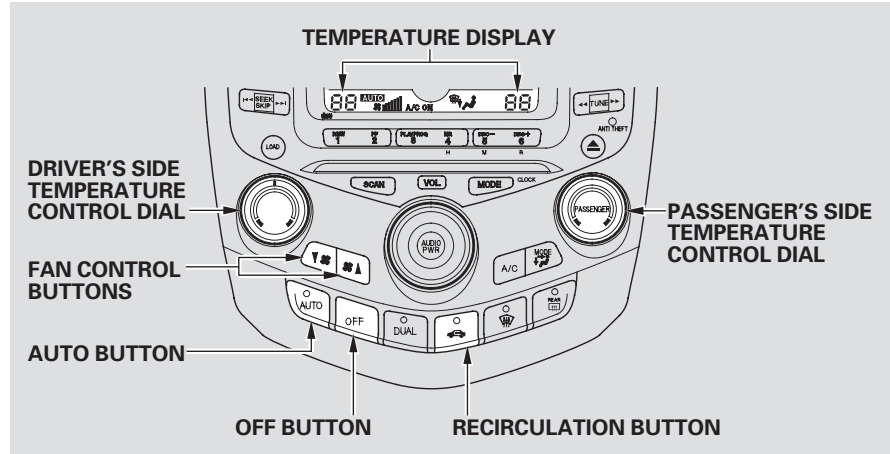


## *Without Navigation System* Fully-automatic Operation

To put the Automatic Climate Control in fully-automatic mode, press the AUTO button, then set the desired temperature by turning the driver's temperature control dial. You will see AUTO in the system's display.

The system automatically selects the proper mix of conditioned and/or heated air that will, as quickly as possible, raise or lower the interior temperature from its current level to the set temperature.

When you set the temperature to its lower limit “Lo” or its upper limit “Hi”, the system runs at full cooling or heating only. It does not regulate the interior temperature.



In cold weather, the fan will not come on automatically until the car has been driven for a short time and the heater starts to develop warm air.

Pressing the OFF button shuts the climate control system completely off. Keep the system completely off only for short periods. To keep stale air and mustiness from collecting, you should have the fan running at all times.

## Climate Control System

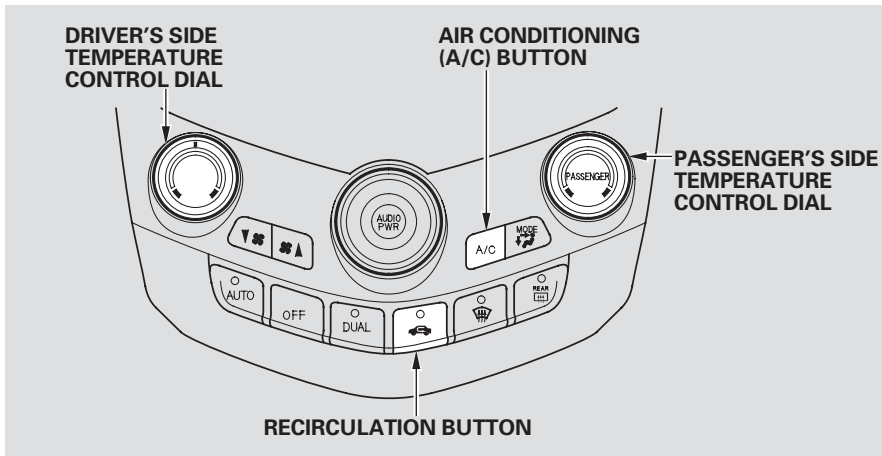
### Semi-automatic Operation

You can manually select various functions of the Climate Control system when it is in fully automatic mode. All other features remain automatically controlled. Making any manual selection causes the word AUTO in the display to go out.

### Air Conditioning (A/C) Button

Press the A/C button to turn the air conditioning on and off. You will see A/C ON or A/C OFF in the display.

When you turn the A/C off, the system cannot regulate the inside temperature if you set the dial below the outside temperature. With the A/C off, use the temperature control dial to adjust the temperature of the air flow to a comfortable setting.



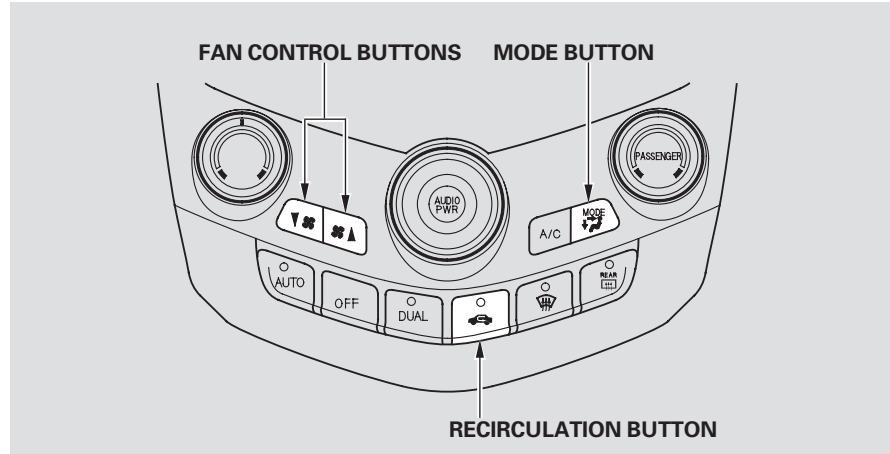
## **Recirculation Button**

This button controls the source of air going into the system. When the indicator above this button is lit, air from the car's interior is sent through the system again (Recirculation mode). When the indicator is off, air is brought in from outside the car (Fresh Air mode).

You can, for example, manually put the system in recirculation mode when driving through an area of smoke or fumes.

## **Fan Control Buttons**

You can manually select the fan speed by pressing the fan control buttons: ▲ to increase the fan's speed, or ▼ to decrease the fan's speed.



## **Mode Button**


Use the MODE button to select the vents the air flows from. Some air will flow from the dashboard corner vents in all modes; you can turn it off with the dial below each vent. Each time you press the MODE button, the display shows the mode selected. Press the button four times to see all

the modes.


*CONTINUED*


## Climate Control System

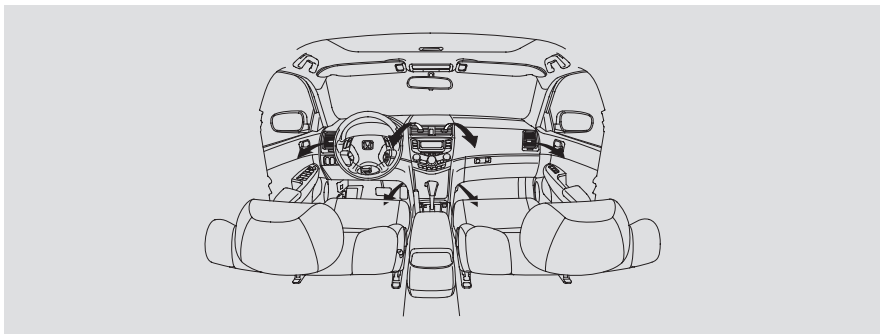
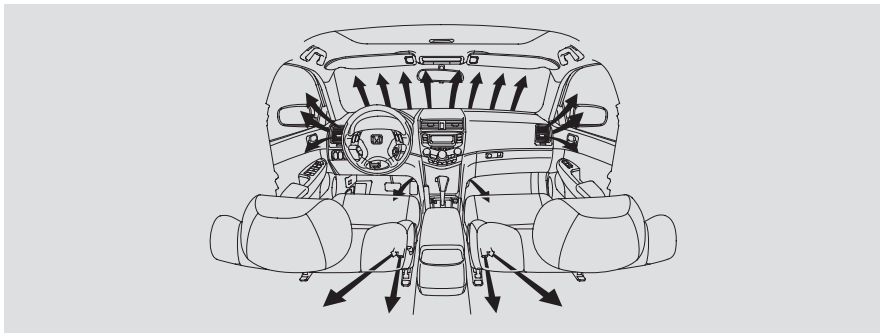
---


 The main air flow is divided between the floor vents and defroster vents at the base of the windshield.


 The main air flow comes from the floor vents.


 The main air flow is divided between the dashboard vents and the floor vents.

 The main air flow comes from the dashboard vents.



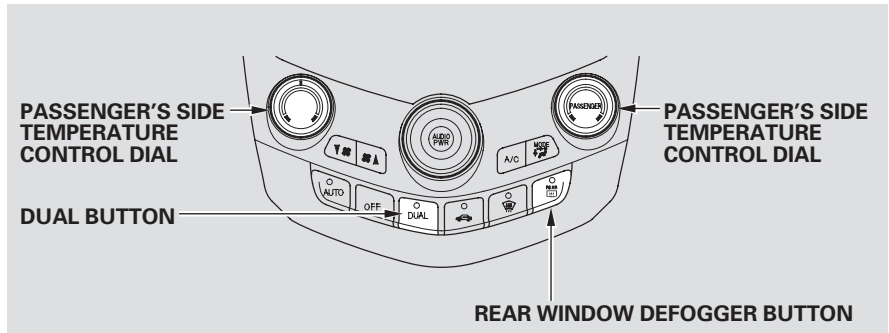
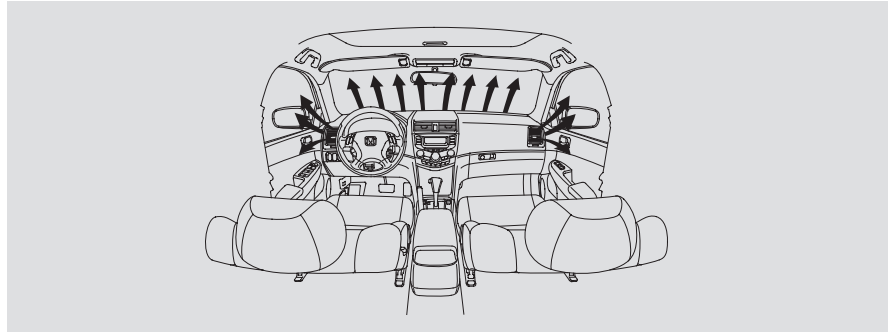
The  button directs the main air flow to the windshield for faster defrosting. It also overrides any MODE selection you may have made.

When you select , the A/C turns on automatically and the system selects Fresh Air mode. For faster defrosting, manually set the fan speed to high. You can also increase air flow to the windshield by closing the side vents in the dashboard.

When you turn off  by pressing the button again, the system returns to its former settings.

### ***Rear Window Defogger Button***

This button turns the rear window defogger on and off (see page 72).






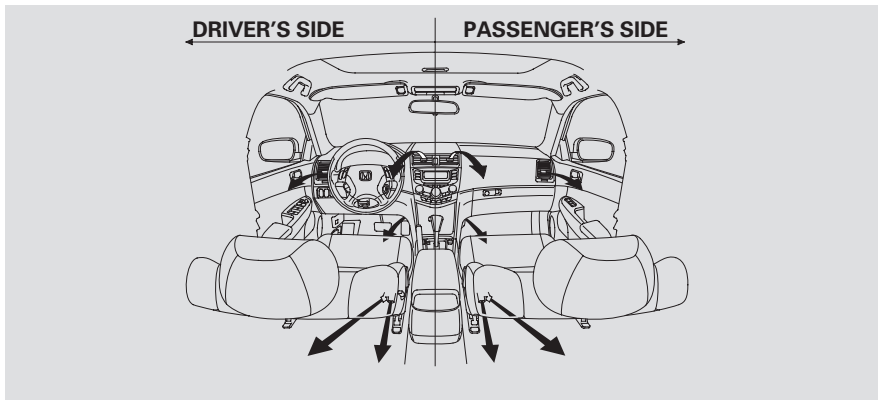
## Climate Control System

### Dual Temperature Control

Your car is equipped with two temperature control dials, one for the driver, and one for the passenger. The driver's side and the passenger's side can be controlled independently by adjusting these dials when the green indicator in the DUAL button is lit.

### Temperature Control Dials

Push the fan, the A/C, the AUTO, or the  button, and the set temperatures appear in the display. When the indicator in the DUAL button is off, you can adjust both sides to the same temperature by turning the driver's control dial.



To set the driver's side temperature to a different value than the passenger's, press the DUAL button, then turn the driver's control dial. To set the passenger's side to a different value than the driver's side, turn the passenger's control dial (see page 125). You can adjust the passenger's side without pressing the DUAL button first.

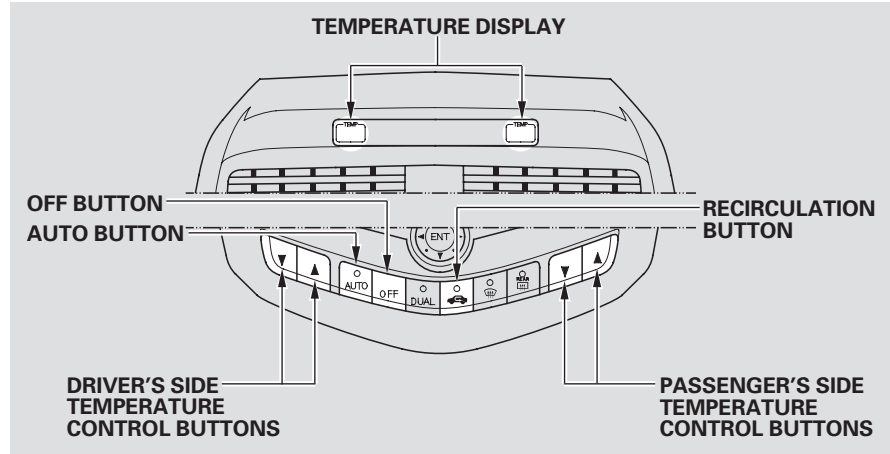
## *With Navigation System*

### **Fully-automatic Operation**

To put the Automatic Climate Control in fully-automatic mode, press the AUTO button. The indicator in the button will light. Then set the desired temperature by pressing the temperature buttons: ▲ to raise the temperature above the displayed value, or ▼ to lower the temperature.

The system automatically selects the proper mix of conditioned and/or heated air that will, as quickly as possible, raise or lower the interior temperature from its current level to the set temperature.

When you set the temperature to its lower limit “Lo” or its upper limit “Hi”, the system runs at full cooling or heating only. It does not regulate the interior temperature.



In cold weather, the fan will not come on automatically until the car has been driven for a short time and the heater starts to develop warm air.

Pressing the OFF button shuts the climate control system completely off. Keep the system completely off only for short periods. To keep stale air and mustiness from collecting, you should have the fan running at all times.

# Climate Control System

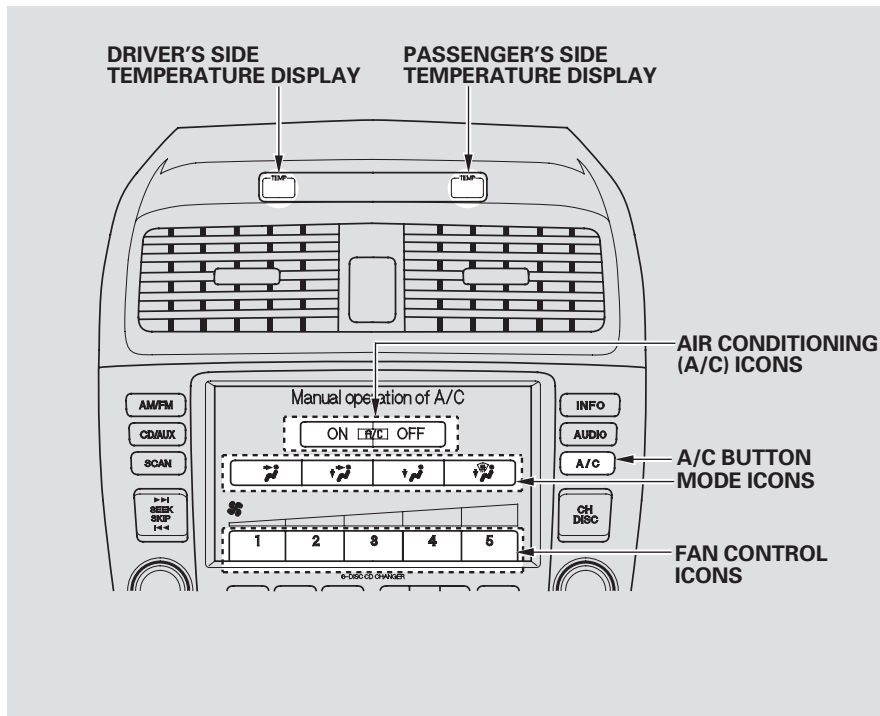
## Manual Operation

You can manually select various functions of the Climate Control system when it is in fully automatic mode. All other features remain automatically controlled. Some of these functions appear in the A/C display. Press the A/C button next to the display to show these functions. Making any manual selection causes the indicator in the AUTO button to go out.

## Air Conditioning (A/C) Icons


Touching “ON” or “OFF” in the display turns the air conditioning on and off. You will see A/C ON or A/C OFF in the display.

When you turn the A/C off, the system cannot regulate the inside temperature if you set the temperature control buttons below the outside temperature. With the A/C off, use the temperature control buttons to adjust the temperature of the air flow to a comfortable setting.





## Mode Icons

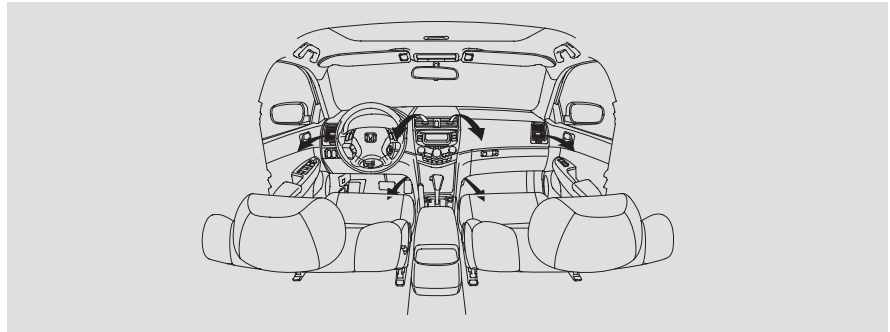
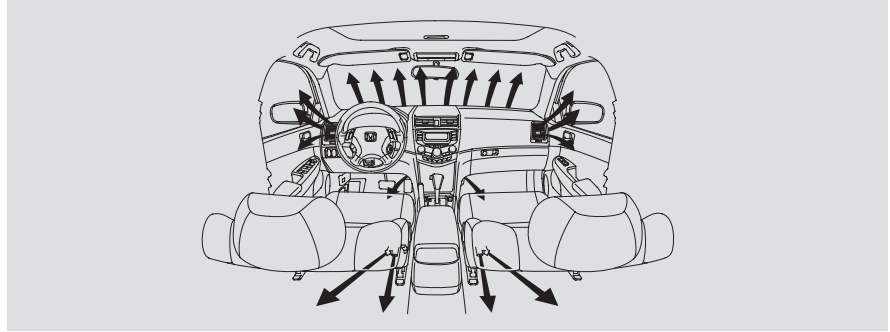
Use the MODE icons in the A/C display to select the vents the air flows from. Some air will flow from the dashboard corner vents and the side vents in all modes.

 The main air flow is divided between the floor vents and defroster vents at the base of the windshield.

 The main air flow comes from the floor vents.

 The main air flow is divided between the dashboard vents and the floor vents.

 The main air flow comes from the dashboard vents.

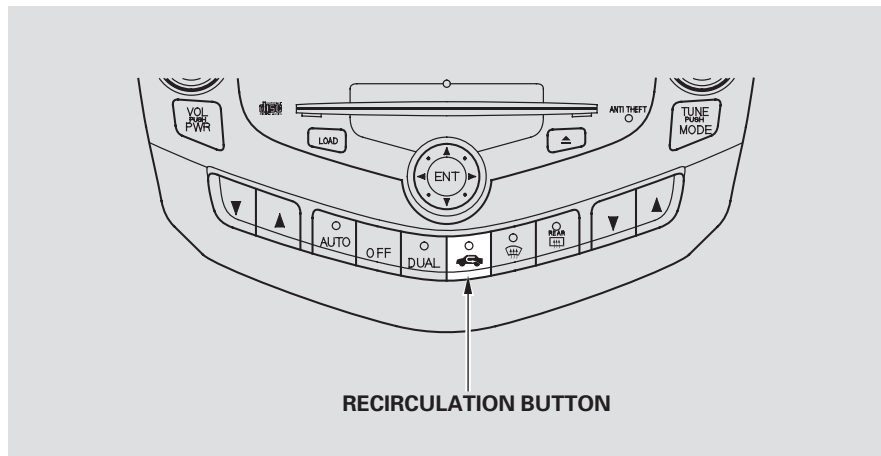


CONTINUED

## Climate Control System

### *Fan Control Icons*


You can manually select the fan speed by touching any of the fan control icons on the display.





### *Recirculation Button*

This button controls the source of air going into the system. When the indicator in this button is lit, air from the car's interior is sent through the system again (Recirculation mode). When the indicator is off, air is brought in from outside the car (Fresh Air mode).

You can, for example, manually put the system in recirculation mode when driving through an area of smoke or fumes.

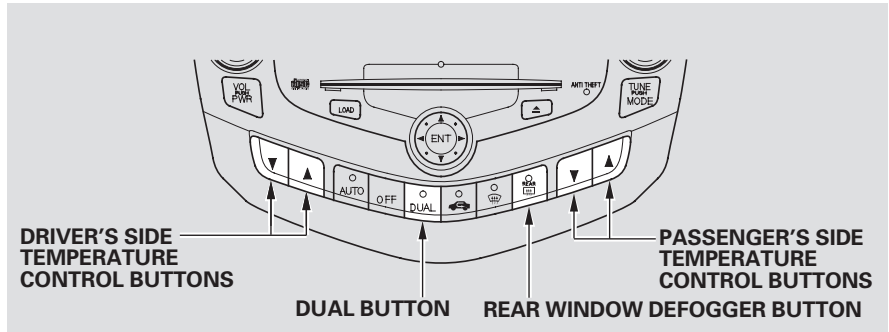
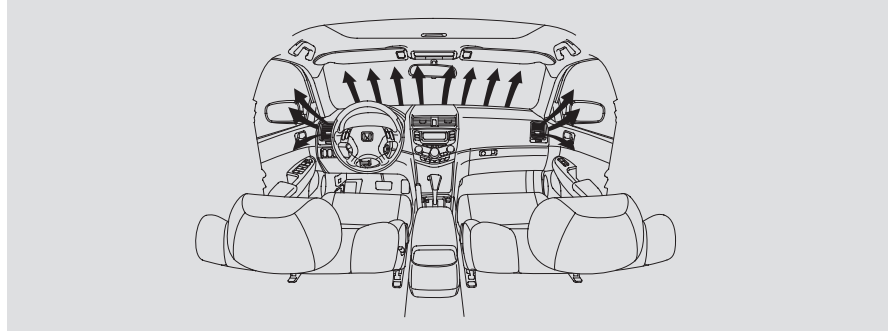
The  button directs the main air flow to the windshield for faster defrosting. It also overrides any MODE selection you may have made.

When you select , the A/C turns on automatically and the system selects Fresh Air mode. For faster defrosting, manually set the fan speed to high. You can also increase air flow to the windshield by closing the side vents in the dashboard.

When you turn off  by pressing the button again, the system returns to its former settings.

### ***Rear Window Defogger Button***

This button turns the rear window defogger on and off (see page 72 ).




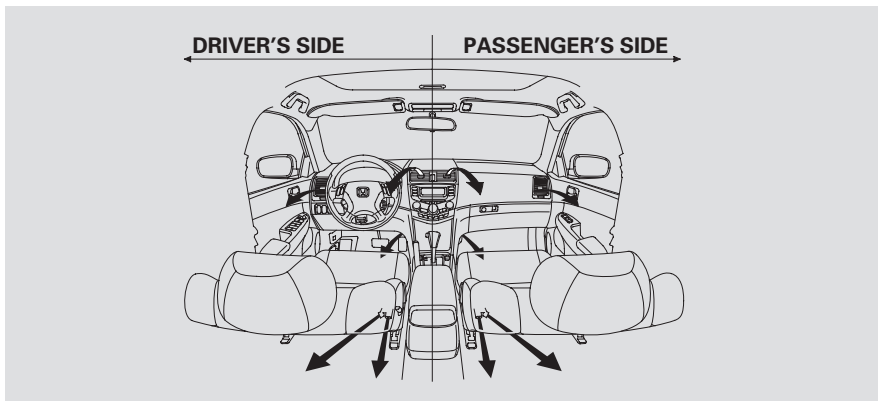
## Climate Control System

### Dual Temperature Control

Your car has four temperature control buttons on the climate control panel, two for the driver and two for the passenger. The driver's and passenger's sides can be controlled independently by pushing these buttons when the green indicator in the DUAL button is lit.

### Temperature Control Buttons

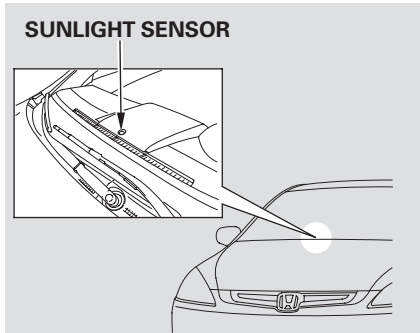
Push AUTO or  and the set temperatures appear in the display. When the indicator in the DUAL button is off, you can adjust both sides to the same temperature by pressing the ▲ or ▼ buttons on the driver's side.



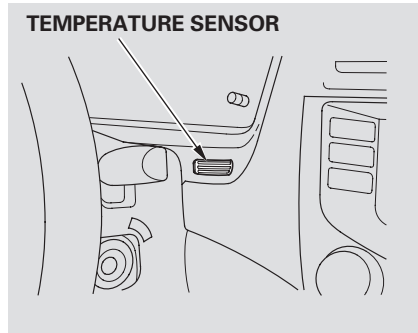
To set the driver's side temperature to a different value than the passenger's, press the DUAL button, then press the ▲ or ▼ buttons on the driver's side. To set the passenger's side to a different value than the driver's, press the ▲ or ▼ buttons on the passenger's side. You can adjust the passenger's side without pressing the DUAL button first.

When you set the temperature to its lower limit or its upper limit, it will be displayed as "Lo" or "Hi".

### Sunlight Sensor/Temperature Sensor



The climate control system has two sensors. A sunlight sensor is located in the top of the dashboard and a temperature sensor is next to the steering column. Do not cover the sensors or spill any liquid on them.





## Audio System

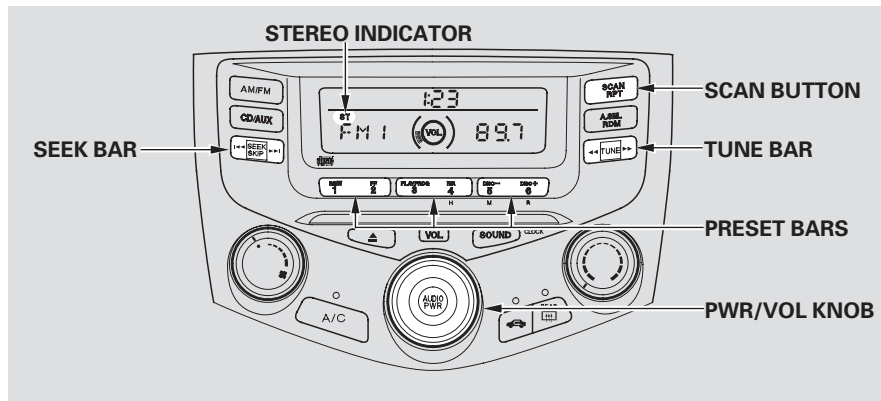
### AM/FM/CD Audio System

*DX and LX models*

Your Honda's audio system provides clear reception on both AM and FM bands, while the preset bars allow you to easily select your favorite stations.

### Operating the Radio

The ignition switch must be in ACCESSORY (I) or ON (II) to operate the audio system. Turn the system on by pushing the PWR/VOL knob or the AM/FM button. Adjust the volume by turning the same knob.



The band and frequency that the radio was last tuned to is displayed. To change bands, press the AM/FM button. On the FM band, ST will be displayed if the station is broadcasting in stereo. Stereo reproduction on AM is not available.

You can use any of five methods to find radio stations on the selected band: TUNE, SEEK, SCAN, AUTO SELECT, and the preset bars.

**TUNE** — Use the TUNE bar to tune the radio to a desired frequency. Press the ►► side of the bar to tune to a higher frequency, and the ◀◀ side to tune to a lower frequency. The frequency numbers will start to change rapidly. Release the bar when the display reaches the desired frequency. To change the frequency in small increments, press and release the TUNE bar quickly.

**SEEK** — The SEEK function searches the band for a station with a strong signal. To activate it, press the SEEK bar on either the ◀◀ or ►►, then release it. Depending on which side you press, the system scans upward or downward from the current frequency. It stops when it finds a station with a strong signal.

**SCAN** — The SCAN function samples all the stations with strong signals on the selected band. To activate it, press the SCAN button, then release it. You will see SCAN in the display. The system will scan up the band for a station with a strong signal. When it finds one, it will stop and play that station for approximately five seconds. If you do nothing, the system will then scan for the next strong station and play that for five seconds. When it plays a station that you want to continue listening to, press the SCAN button again.

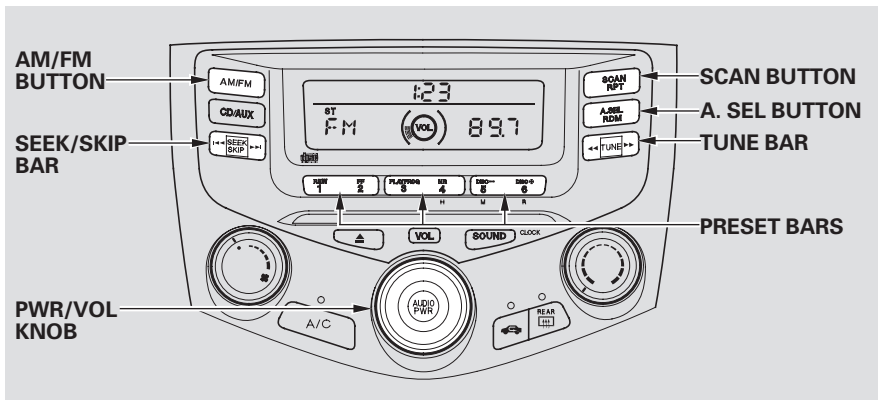
*CONTINUED*

## Audio System

**Preset** – You can store the frequencies of your favorite radio stations in the three preset bars. Each side of the bars (1 – 6) will store one frequency on the AM band, and two frequencies on the FM band.

To store a frequency:

1. Select the desired band, AM or FM. FM1 and FM2 let you store two frequencies with each preset bar.
2. Use the TUNE, SEEK, or SCAN function to tune the radio to a desired station.
3. Pick the preset number (1 – 6) you want for that station. Press the left or right side of the bar and hold it until you hear a beep.
4. Repeat steps 1 to 3 to store a total of six stations on AM and twelve on FM.



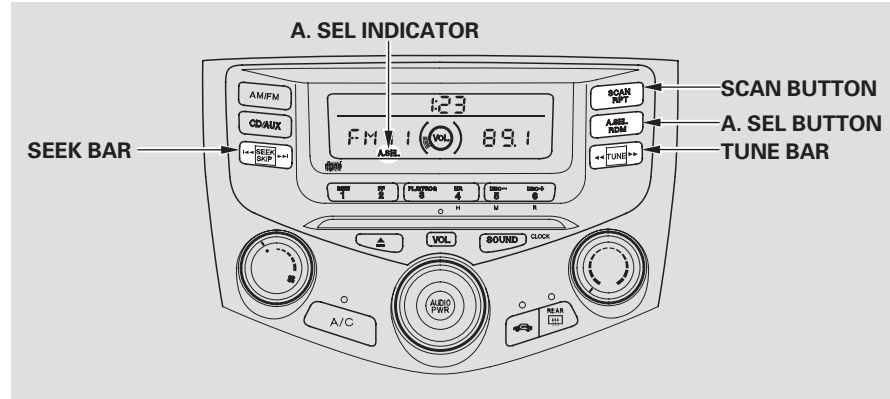
Once a station's frequency is stored, simply press and release the left or right side of the proper preset bar to tune to it.

The preset frequencies will be lost if your car's battery goes dead, is disconnected, or the radio fuse is removed.

**AUTO SELECT** – If you are traveling far from home and can no longer receive the stations you preset, you can use the Auto Select feature to find stations in the local area.

To activate Auto Select, press the A. SEL button. A. SEL will flash in the display, and the system will go into scan mode for several seconds. It automatically scans both bands, looking for stations with strong signals. It stores the frequencies of six AM stations and twelve FM stations in the preset bars (1 – 6). You can then use the preset bars to select those stations.

If you are in a remote area, Auto Select may not find six strong AM stations or twelve strong FM stations. If this happens, you will see a “0” displayed when you press the left or right side of any preset bar that does not have a station stored.



If you do not like the stations Auto Select has stored, you can store other frequencies in the preset bars. Use the TUNE, SEEK, or SCAN function to find the desired frequencies, then store them in the selected preset bars as described previously.

Auto Select does not erase the frequencies that you set previously. When you return home, turn off Auto Select by pressing the A. SEL button. The preset bars will then select the frequencies you originally set.

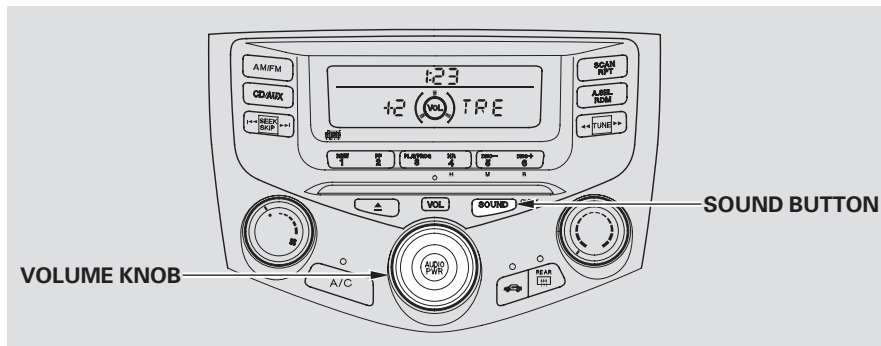
## Audio System

### Adjusting the Sound

Bass, Treble, Balance, and Fader are each adjustable. You select which of these you want to adjust by pressing the SOUND button. The mode changes from BAS to TRE to FAD to BAL, and then back to the selected audio mode, each time you press the SOUND button. Each mode is shown in the display as it changes.

**Balance/Fader** — These two modes adjust the strength of the sound coming from each speaker. BAL adjusts the side-to-side strength, while FAD adjusts the front-to-back strength.

Select BAL or FAD by pressing the SOUND button. Adjust the Balance or Fader to your liking by turning the VOLUME knob. The displayed number shows you the current setting. When the adjustment level reaches the center, you will see “ [ ”.



**Treble/Bass** — Use these modes to adjust the tone to your liking. Select TRE or BAS by pressing the SOUND button. Adjust the desired mode by turning the VOLUME knob. The displayed number shows you the current setting. When the adjustment level reaches the center, you will see “ [ ”.

The system will automatically return the display to the selected audio mode after you stop adjusting a mode with the VOLUME knob.

## Digital Clock

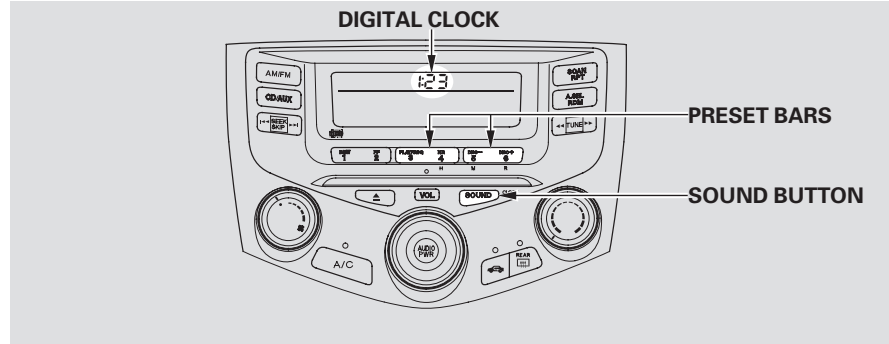
The audio system usually shows the time when the ignition switch is in ACCESSORY (I) or ON (II). It shows the operation mode of the radio, CD player, or optional CD changer when you operate them, then goes back to the time display after three seconds.

To set the time, press and hold the SOUND button until the audio system beeps and the clock flashes.

To set the hours, press and hold the H (Preset 4) side of the bar until the numbers advance to the desired time.

To set the minutes, press and hold the M (Preset 5) side of the bar until the numbers advance to the desired time.

When you are finished, press the SOUND button again.



You can use the R (Preset 6) side of the bar to quickly set the time to the nearest hour. Press the R (Preset 6) side of the bar while pressing the SOUND button. If the displayed time is before the half hour, pressing R sets the clock back to the previous hour. If the displayed time is after the half hour, pressing R sets the clock forward to the beginning of the next hour.

For example:

- 1:06 will reset to 1:00
- 1:52 will reset to 2:00

If your car's battery is disconnected or goes dead, the time setting will be lost. To set the time again, follow the setting procedure.

## Audio System

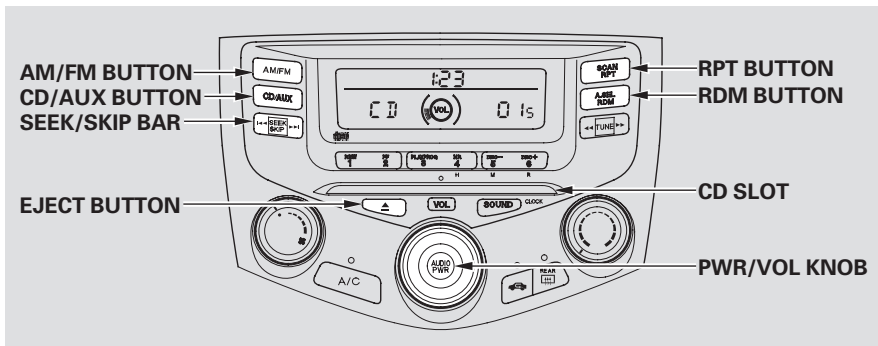
### Radio Frequencies and Reception

For information, see page 175.

### Operating the CD Player

You operate the CD player with the same controls used for the radio.

Play only standard round discs. Odd-shaped CDs may jam in the drive or cause other problems. You can also play 3-inch (8-cm) discs without using an adapter ring. Avoid using CDs that have adhesive-type labels. The edges can curl up and cause the CD to jam in the drive.



Examine the CD for any labels or other contamination on it that could cause it to jam in the drive. With the ignition switch in ACCESSORY (I) or ON (II), insert the disc into the CD slot. Push the disc in halfway; the drive will pull it in the rest of the way and begin to play. The number of the track that is playing is shown in the display.

For best results when using CD-R discs, use only high quality discs labeled for audio use. When recording a CD-R, the recording must be closed in order for the disc to be used by CD players. CD-RW discs will not work in this unit.

When the system reaches the end of the disc, it will return to the beginning and play the disc again.

You can switch to the radio while a CD is playing by pressing the AM/FM button. Press the CD button to return to playing the CD. The CD will begin playing where it left off.

If you turn the system off while a CD is playing, either with the PWR/VOL knob or by turning off the ignition, the disc will stay in the drive. When you turn the system back on, the CD will begin playing where it left off.

Press the eject button to remove the disc from the drive.

If you eject the disc, but do not remove it from the slot, the system will automatically reload the disc after 15 seconds and put the CD player in pause mode. To begin playing the disc, press the CD button.

You can use the SEEK/SKIP bar while a disc is playing to select passages and change tracks.

To move rapidly within a track, press and hold the SEEK/SKIP bar. Press the ►► side to move forward. Press the ◀◀ side to move backward. Release the bar when the system reaches the point you want.

Each time you press and release the ►► side of the SEEK/SKIP bar, the system skips forward to the beginning of the next track. Press and release the ◀◀ side to skip backward to the beginning of the current track. Press it again to skip to the beginning of the previous track.

*CONTINUED*



## Audio System

---

**REPEAT** – To activate the Repeat feature, press and release the RPT button. You will see RPT in the display. The system continuously replays the current track. Press the RPT button again to turn it off.

**RANDOM PLAY** – This feature, when activated, plays the tracks on the CD in random order, rather than in the order they are recorded on the CD. To activate Random Play, press and release the RDM button. You will see RDM in the display. The system will then select and play tracks randomly. This continues until you deactivate Random Play by pressing RDM again.

### Protecting Compact Discs

For information on how to handle and protect compact discs, see page [186](#).

### Operating the CD Changer (Optional)

A Compact Disc changer is available for your car. It holds up to six discs, providing several hours of continuous entertainment. You operate this CD changer with the same controls used for the in-dash CD player.

Load the desired CDs in the magazine and load the magazine in the changer according to the instructions that came with the unit. Play only standard round discs. Odd-shaped CDs may jam in the drive or cause other problems.

For best results when using CD-R discs, use only high quality discs labeled for audio use. When recording a CD-R, the recording must be closed in order for the disc to be used by CD players. CD-RW discs will not work in this unit.

To select the CD changer, press the CD button. The disc and track numbers will be displayed.

To select a different disc, use the Preset 5 (DISC –) side or Preset 6 (DISC +) side of the preset bar. Press the Preset 6 side to select the next disc in the magazine. Press the Preset 5 side of the bar to select the previous disc. If you select an empty slot in the magazine, the changer will, after finding that slot empty, try to load the CD in the next slot. This continues until it finds a CD to load and play.

If you load a CD in the in-dash player while the changer is playing a CD, the system will stop the changer and begin playing the in-dash CD. To select the changer again, press the CD button. Play will begin where it left off. Use the CD button to switch between the player and the changer.

If you eject the disc in the in-dash CD while it is playing, the system will automatically switch to the CD changer and begin play where it left off. If there are no CDs in the changer, the display will flash. You will have to select another mode (AM or FM) with the button.

When you switch back to CD mode, the system selects the same unit (in-dash or changer) that was playing when you switched out of CD mode.

To use the SKIP, REPEAT, and RANDOM functions, refer to the in-dash player operating instructions.

## Audio System

---

### CD Player Error Indications

If you see an error indication in the display while operating the CD player, find the cause in the chart to the right. If you cannot clear the error indication, take the car to your Honda dealer.

Indication	Cause	Solution
<i>CD DISC</i>	FOCUS Error	Press the eject button and pull out the disc. Check if the disc is inserted correctly in the CD player. Make sure the disc is not scratched or damaged.
<i>CD ERR</i>	Mechanical Error	Press the eject button and pull out the disc. Check the disc for damage or deformation. If the CD cannot be pulled out or the error indication does not disappear after the disc is ejected, see your Honda dealer. Do not try to force the disc out of the player.
<i>CD Hot</i>	High Temperature	Will disappear when the temperature returns to normal.

### CD Changer Error Indications

If you see an error indication in the display while operating the CD changer, find the cause in the chart to the right. If you cannot clear the error indication, take the car to your Honda dealer.


Indication	Cause	Solution
CD3 DISC	FOCUS Error	Press the magazine eject button and pull out the magazine. Check for an error indication. Insert the magazine again. If the code does not disappear or the magazine cannot be pulled out, consult your Honda dealer.
CD3 NO	No CD in the CD Magazine	Insert CD.
CD3 ERR	Mechanical Error	Press the magazine eject button and pull out the magazine. Check for an error indication. Insert the magazine again. If the code does not disappear or the magazine cannot be pulled out, consult your Honda dealer.
CD3 HOT	High Temperature	Will disappear when the temperature returns to normal.
CD3 EJECT	No CD magazine in the CD Changer	Insert CD magazine.

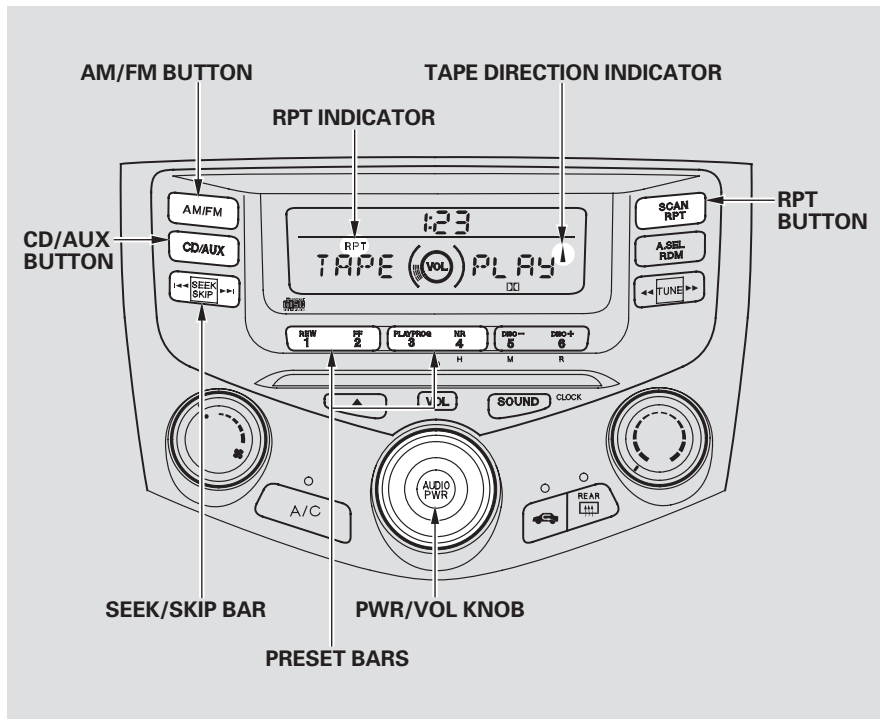
## Audio System

### Operating the Cassette Player (Optional)

The cassette system features Dolby\* noise reduction, automatic sensing of chromium-dioxide (CrO<sub>2</sub>) tape, and auto-reverse for continuous play.

To operate the cassette player, the ignition switch must be in ACCESSORY (I) or ON (II). Make sure the tape opening on the cassette is facing to the right, then insert the cassette most of the way into the slot. The system will pull it in the rest of the way, and begin to play.

\* Dolby noise reduction manufactured under license from Dolby Laboratories Licensing Corporation. "DOLBY" and the double-D symbol  are trademarks of Dolby Laboratories Licensing Corporation.



The tape direction indicator will light to show you which side of the cassette is playing. The ▲ indicates the side you inserted facing upward is now playing. If you want to play the other side, press the Preset 3 (PLAY/PROG) side of the preset bar.

Dolby noise reduction turns on when you insert a cassette. The □□ indicator will light in the display. If the tape was not recorded with Dolby noise reduction, turn it off by pressing the Preset 4 (NR) side of the preset bar.

Noise reduction remains off until you turn it on by pressing the button again.

When the system reaches the end of the tape, it will automatically reverse direction and play the other side. If you want to remove the cassette from the drive, press the eject button on the cassette player.

If you turn the system off while a tape is playing, either with the PWR/VOL knob or by turning off the ignition, the cassette will remain in the drive. When you turn the system back on, the cassette player will be in pause mode. To begin playing, press the Preset 3 (PLAY/PROG) side of the preset bar.

To switch to the radio or CD player while a tape is playing, press the AM/FM, or CD/AUX button. To change back to the cassette player, push the CD/AUX button.

## Audio System

---

### Tape Search Functions

With a cassette playing, you can use the FF, REW, SKIP, or REPEAT function to find a desired program.

**FF/REW** — Fast Forward and Rewind move the tape rapidly. To rewind the tape, push the Preset 1 (REW) side of the preset bar. You will see REW in the display. To fast forward the tape, push the Preset 2 (FF) side of the preset bar. You will see FF displayed. Press the Preset 1, 2, or 3 side of the bars to take the system out of rewind or fast forward. When the system reaches the end of the tape, it reverses direction and begins to play.

**SKIP** — The Skip function allows you to find the beginning of a song or passage. To activate SKIP, press the SEEK/SKIP bar. Press the **▶▶|** side to advance to the beginning of the next song or passage, or the **|◀◀** side to return to the beginning of the current song or passage. FF or REW will flash in the display as the tape moves. When the system reaches the beginning of the next song or passage (FF), or the beginning of the current one (REW), it goes back to PLAY mode.

**REPEAT** — The Repeat function continuously replays the current song or passage. Press the RPT button to activate it; you will see RPT displayed as a reminder. When the system reaches the end of the song or passage currently playing, it will automatically go into rewind. When it senses the beginning of the same song or passage, the system returns to PLAY mode. It will continue to repeat this same program until you deactivate REPEAT by pressing the button again.

The SKIP and REPEAT functions use silent periods on the tape to find the end of a song or passage. These features may not work to your satisfaction if there is almost no gap between selections, a high noise level between selections, or a silent period in the middle of a selection.

**Caring for the Cassette Player**  
Damaged cassettes can jam inside the drive or cause other problems. See page [191](#) for information on cassette care and protection.



## Audio System

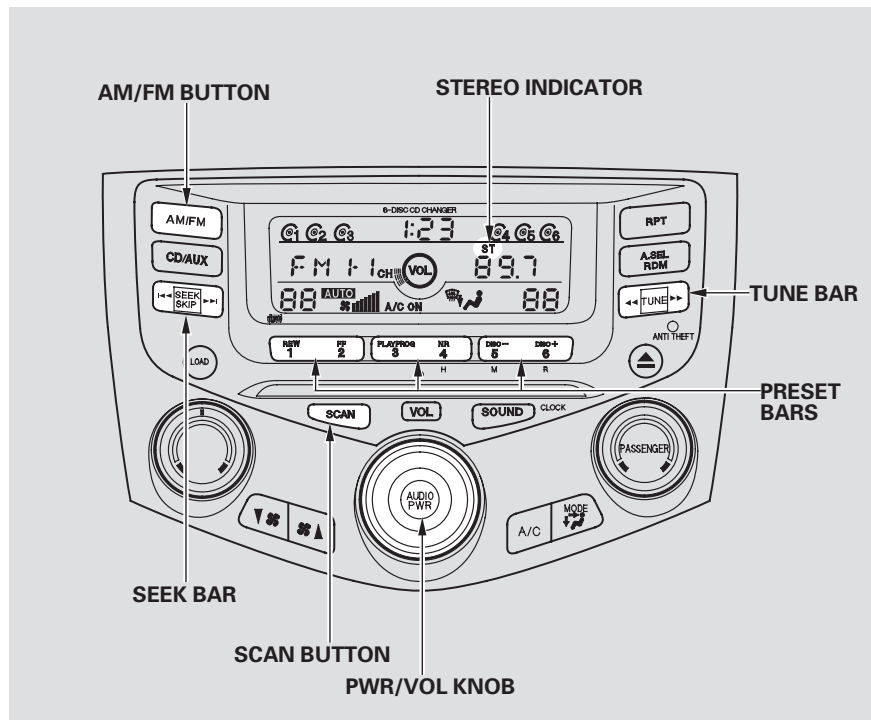
### *Without Navigation System* AM/FM/CD Changer Audio System

*For EX, EX-V6, and LX-V6 models*

Your Honda's audio system provides clear reception on both AM and FM bands, while the preset bars allow you to easily select your favorite stations.

The in-dash CD changer holds up to six discs. You operate the CD changer with the same controls used for the radio. See page 157 for CD changer operation.

The anti-theft feature will disable the system if it is disconnected from the car's battery. To get the system working again, you must enter a code number (see page 193).



### Operating the Radio

The ignition switch must be in ACCESSORY (I) or ON (II) to operate the audio system. Turn the system on by pressing the PWR/VOL knob, or the AM or FM button. Adjust the volume by turning the knob.

The band and frequency that the radio was last tuned to is displayed. To change bands, press the AM/FM button. On the FM band, ST will be displayed if the station is broadcasting in stereo. Stereo reproduction on AM is not available.

You can use any of five methods to find radio stations on the selected band: TUNE, SEEK, SCAN, AUTO SELECT, and the preset bars.

**TUNE** — Use the TUNE bar to tune the radio to a desired frequency. Push the ►► on the TUNE bar to tune to a higher frequency, or push the ◀◀ to tune to a lower frequency. Hold the bar down until the display reaches the desired frequency.

**SEEK** — The SEEK function searches the band for a station with a strong signal. To activate it, press the SEEK bar ( ◀◀ or ►► ), then release it. Depending on which side of the SEEK bar you press, the system scans upward or downward from the current frequency. It stops when it finds a station with a strong signal.

*CONTINUED*

## Audio System

---

**SCAN** — The SCAN function samples all the stations with strong signals on the selected band. To activate it, press the SCAN button, then release it. You will see SCAN in the display. The system will scan up the band for a station with a strong signal. When it finds one, it will stop and play that station for approximately five seconds. If you do nothing, the system will then scan for the next strong station and play that for five seconds. When it plays a station that you want to continue listening to, press the SCAN button again.

**Preset** — You can store the frequencies of your favorite radio stations in the three preset bars. Each bar will store two frequencies on the AM band, and four frequencies on the FM band.

To store a frequency:

1. Select the desired band, AM or FM. FM1 and FM2 let you store two frequencies with each preset bar.
2. Use the TUNE, SEEK, or SCAN function to tune the radio to a desired station.
3. Pick the preset number (1 – 6) you want for that station. Press the left or right side of the bar and hold it until you hear a beep.
4. Repeat steps 1 to 3 to store a total of six stations on AM and twelve on FM.

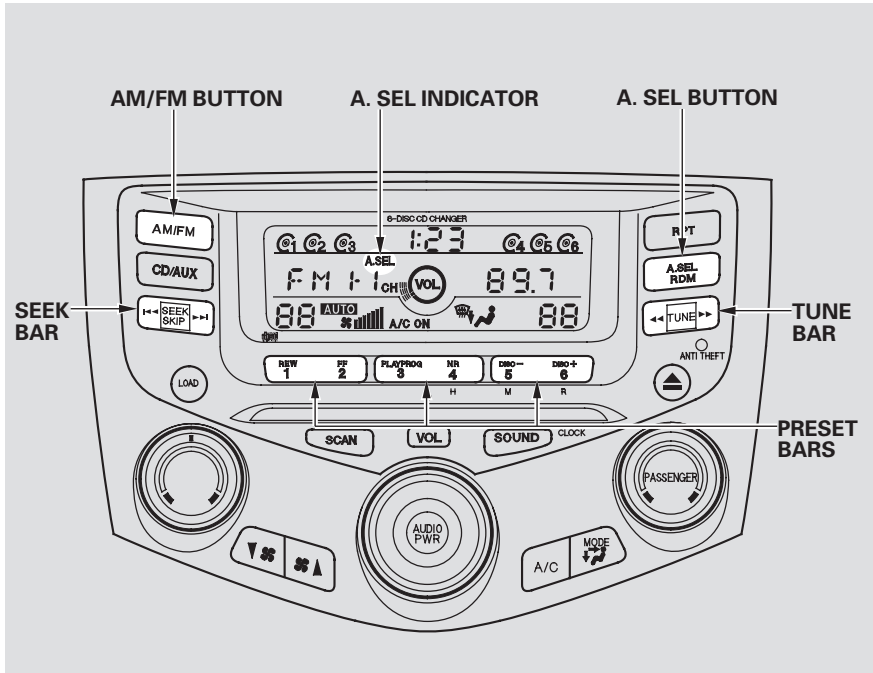
Once a station's frequency is stored, simply press and release the left or right side of the proper preset bar to tune to it.

The preset frequencies will be lost if your car's battery goes dead, is disconnected, or the radio fuse is removed.

**AUTO SELECT** – If you are traveling far from home and can no longer receive the stations you preset, you can use the Auto Select feature to find stations in the local area.

To activate Auto Select, press the A. SEL button. A. SEL will flash in the display, and the system will go into scan mode for several seconds. It automatically scans both bands, looking for stations with strong signals. It stores the frequencies of six AM stations and twelve FM stations in the preset bars (1 – 6). You can then use the preset bars to select those stations.

If you are in a remote area, Auto Select may not find six strong AM stations or twelve strong FM stations. If this happens, you will see a “0” displayed when you press the left or right side of a preset bar that does not have a station stored.

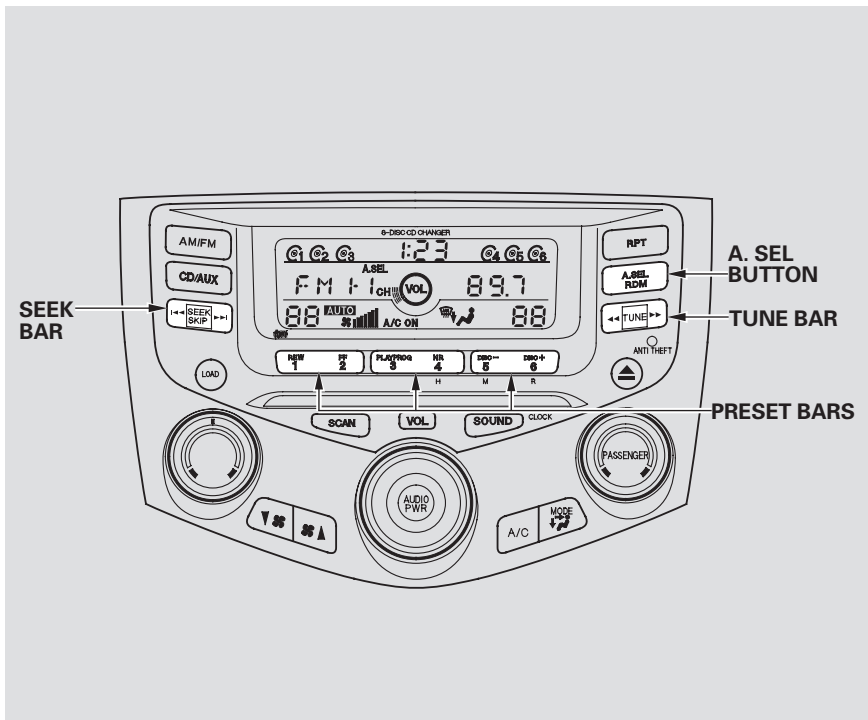


CONTINUED

## Audio System

If you do not like the stations Auto Select has stored, you can store other frequencies in the preset bars. Use the TUNE, SEEK, or SCAN function to find the desired frequencies, then store them in the selected preset bars as described previously.

Auto Select does not erase the frequencies that you set previously. When you return home, turn off Auto Select by pressing the A. SEL button. The preset bars will then select the frequencies you originally set.



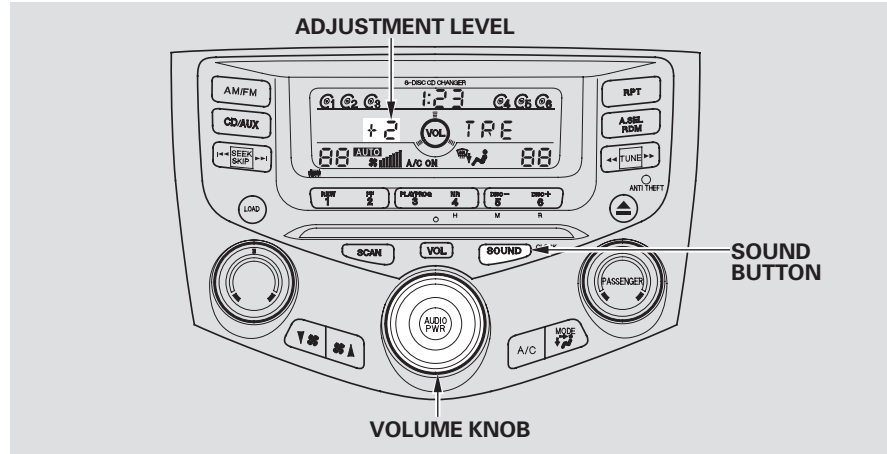
## Adjusting the Sound

Bass, Treble, Balance, and Fader are each adjustable. You select which of these you want to adjust by pressing the SOUND button. The mode changes from BAS to TRE to FAD to BAL, and then back to the selected audio mode, each time you press the SOUND button.

**Treble/Bass** – Use these modes to adjust the tone to your liking. Select TRE or BAS by pressing the SOUND button. Adjust the desired mode by turning the VOLUME knob. The displayed number shows you the current setting.

When the adjustment level reaches the center, you will see “**┌**”.

**Balance/Fader** – These two modes adjust the strength of the sound coming from each speaker. BAL adjusts the side-to-side strength, while FAD adjusts the front-to-back strength.



Select BAL or FAD by pressing the SOUND button. Adjust the Balance or Fader to your liking by turning the VOLUME knob. The displayed number shows you the current setting. When the adjustment level reaches the center, you will see “**┌**”.

The system will automatically return the display to the selected audio mode about five seconds after you stop adjusting a mode with the SOUND button.

## Radio Frequencies and Reception

For information, see page [175](#).

## Audio System

### Digital Clock

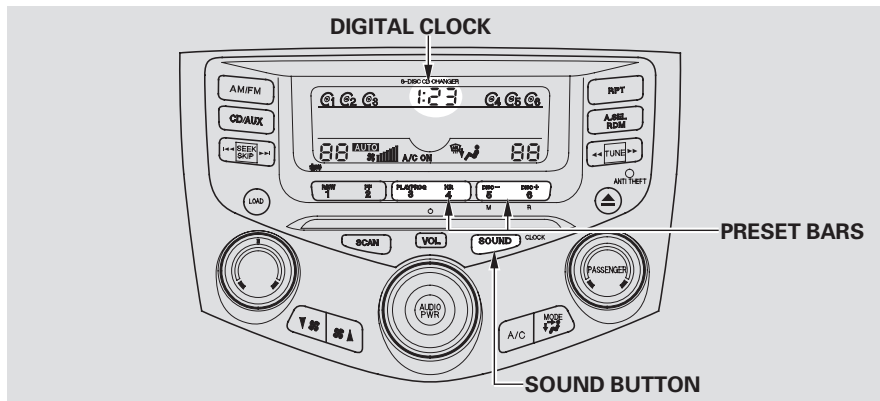
The audio system usually shows the time when the ignition switch is in ACCESSORY (I) or ON (II). It shows the operation mode of the radio, or CD changer when you operate them, then goes back to the time display after three seconds.

To set the time, press and hold the SOUND button until the audio system beeps and the clock flashes.

To set the hours, press and hold the H (Preset 4) side of the bar until the numbers advance to the desired time.

To set the minutes, press and hold the M (Preset 5) side of the bar until the numbers advance to the desired time.

When you are finished, press the SOUND button again.



You can use the R (Preset 6) side of the bar to quickly set the time to the nearest hour. Press R while pressing the SOUND button. If the displayed time is before the half hour, pressing R sets the clock back to the previous hour. If the displayed time is after the half hour, pressing R sets the clock forward to the beginning of the next hour.

For example:

- 1:06 would RESET to 1:00.
- 1:52 would RESET to 2:00.

If your car's battery is disconnected or goes dead, the time setting will be lost. To set the time again, follow the setting procedure.

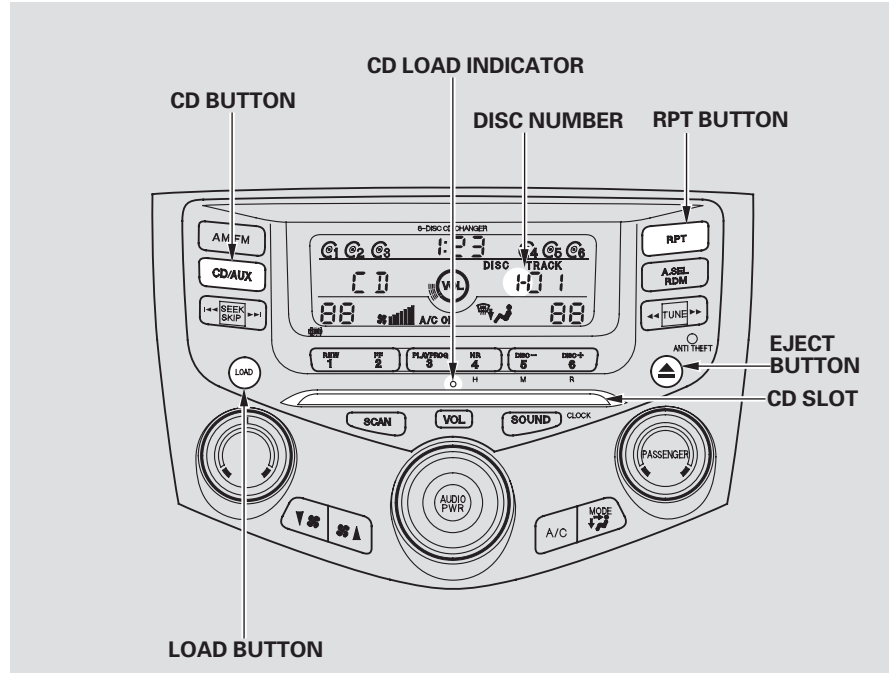
## Operating the CD Changer

Your Honda's audio system has an in-dash CD changer that holds up to six discs, providing several hours of continuous entertainment. You operate this CD changer with the same controls used for the radio.

To load CDs or operate the CD changer, the ignition switch must be in ACCESSORY (I) or ON (II).

Load and play only standard round discs. Odd-shaped CDs may jam in the drive or cause other problems. You cannot load and play 3-inch (8-cm) discs in this system.

For best results when using CD-R discs, use only high quality discs labeled for audio use. When recording a CD-R, the recording must be closed in order for the disc to be used by CD players. CD-RW discs will not work in this unit.



CONTINUED



## Audio System

---

### *Loading CDs in the Changer*

To load multiple CDs in one operation:

1. Press and hold the LOAD button until you hear a beep and see “LOAD” in the display, then release the button.
2. On the upper left side of the display, the disc number for an empty position will begin blinking and the green CD load indicator will come on.
3. Insert the disc into the CD slot. Insert it only about halfway; the drive will pull it in the rest of the way. You will see “BUSY” in the display. The CD load indicator turns red and blinks as the CD is loaded.

4. When the CD load indicator turns green, press the LOAD button again. When “LOAD” appears in the display, insert the next disc into the CD slot.
5. Repeat this until all six positions are loaded. The system will then begin playing the last CD loaded.

If you are not loading CDs into all six positions, the system will begin playing the last CD loaded.

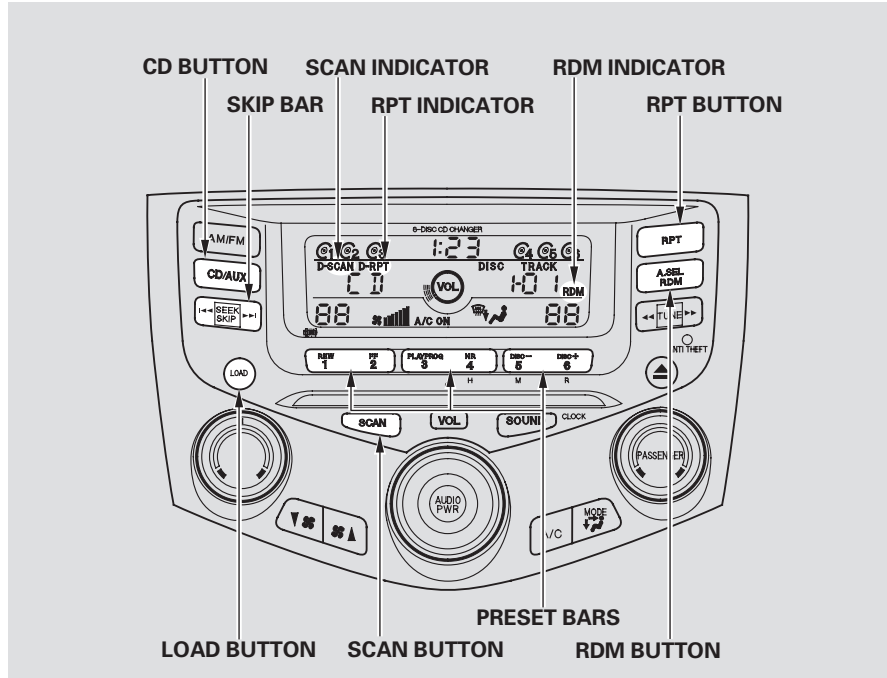
If you stop loading CDs before all six positions are filled, and you do not press the LOAD button, the system will wait for ten seconds, then stop the load operation and begin playing the last CD loaded.

To load a single CD:

1. Press and release the LOAD button.
2. The disc number for an empty position starts to blink and the green CD load indicator comes on. When you see “LOAD” in the display, insert the disc into the CD slot. Insert it only about halfway; the drive will pull it in the rest of the way.
3. The system will load the CD, and begin playing it.

If you press the LOAD button while a CD is playing, the system will stop playing that CD and start the loading sequence. It will then play the CD just loaded.

You can also load a CD into an empty position while a CD is playing by pressing the appropriate side of a preset bar. Select an empty position (the disc number indicator is off), and press the left or right side of the preset bar for that position (1 to 6). The system will stop playing the current CD and start the loading sequence. It will then play the CD just loaded.



*CONTINUED*

## Audio System

---

### *Operation*

Select the CD changer by pressing the CD button. You will see “CD” in the display. The system will begin playing the last selected disc in the CD changer. You will see the disc and track numbers displayed.

When that disc ends, the next disc in the CD changer is loaded and played. After the last disc finishes, the system returns to disc 1.

To select a different disc, press the appropriate side of a preset bar (1 – 6). If you select an empty position in the CD changer, the system will go into the loading sequence (see page [158](#)).

You can use the SKIP bar while a disc is playing to select passages and change tracks.

To move rapidly within a track, press and hold the left or right side of the SKIP bar. You will hear a beep and the system will continue to move. Press ►► to move forward, or ◀◀ to move backward. Release the bar when the system reaches the point you want.

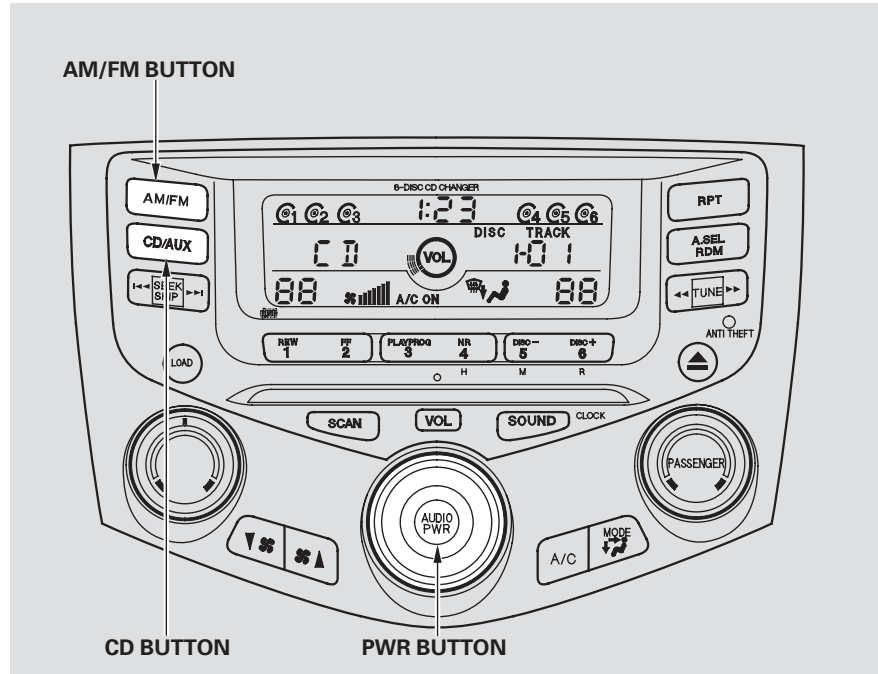
Each time you press ►► and release it, the system skips forward to the beginning of the next track. Press and release ◀◀ to skip backward to the beginning of the current track. Press and release it again to skip to the beginning of the previous track.

**REPEAT** — To activate the Repeat feature, press and release the RPT button. You will see RPT in the display as a reminder. The system continuously replays the current track. Press the RPT button again to turn it off. Pressing either side of the SKIP bar also turns off the repeat feature.

**RANDOM PLAY** — This feature, when activated, plays the tracks within a CD in random order, rather than in the order they are recorded on the CD. To activate Random Play, press the RDM button. You will see RDM in the display. The system will then select and play tracks randomly. This continues until you deactivate Random Play by pressing the RDM button again, or you select a different CD with a preset bar.

To take the system out of CD mode, press the AM/FM button. Each time you press the AM/FM button, the system will change to the next mode; FM1, FM2 or AM. When you return to CD mode by pressing the CD button, play will continue at the same point that it left off.

If you turn the system off while a CD is playing, either with the PWR button or the ignition switch, play will continue at the same point when you turn it back on.



*CONTINUED*

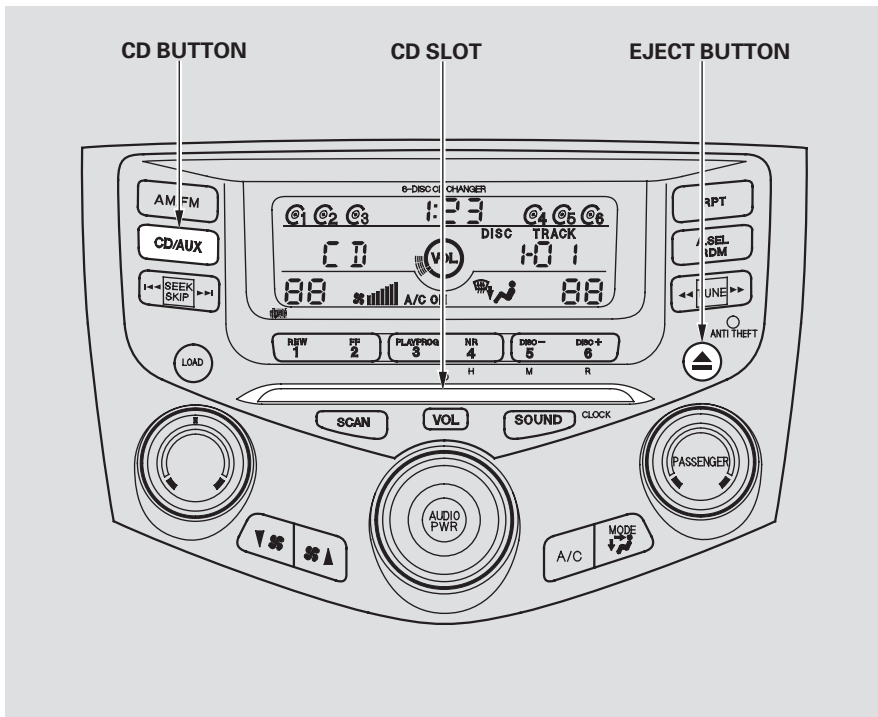
## Audio System

### *Removing CDs from the Changer*

To remove the disc that is currently playing, press the eject button. You will see “EJEC” in the display. When you remove the disc from the slot, the system automatically begins the Load sequence so you can load another CD in that position. If you do not load another CD, after 15 seconds, the system selects the previous mode (AM, FM1, or FM2).

If you do not remove the disc from the slot, the system will reload the disc after 15 seconds, and select the previous mode (AM or FM). To begin playing the disc, press the CD button.

To remove a different CD from the changer, first select it with the left or right side of the appropriate preset bar. When that CD begins playing, press the eject button.



If you press the eject button while listening to the radio, or with the audio system turned off, the disc that was last selected is ejected. After that disc is ejected, pressing the eject button again will eject the next disc in numerical order. By doing this six times, you can remove all the CDs from the changer.

In any mode, if you press the eject button and hold it until you hear a beep, the system will eject all of the discs in the changer.

You can also eject discs when the ignition switch is off by pressing the eject button. The disc that was last selected is ejected first. You can eject up to five discs, one at a time.

### **Protecting Compact Discs**

For information on how to handle and protect compact discs, see page [186](#).

## Audio System

---

### CD Changer Error Indications


If you see an error indication in the display while operating the CD changer, find the cause in the chart to the right. If you cannot clear the error indication, take the car to your Honda dealer.

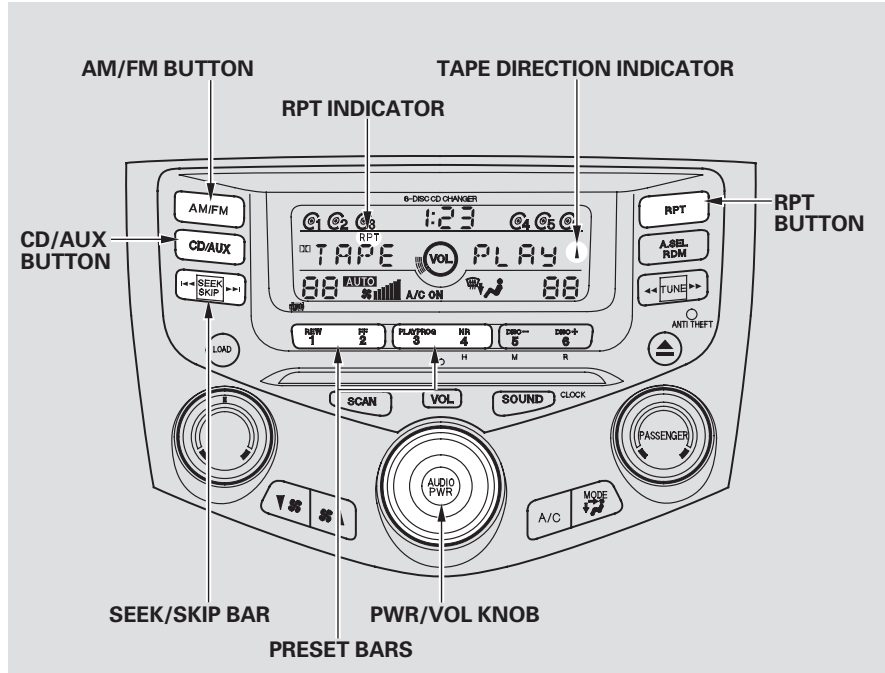
Indication	Cause	Solution
<i>CD D ISC</i>	FOCUS Error	Press the CD eject button and pull out the CDs. Check for an error indication. Insert the CDs again. If the code does not disappear or the CDs cannot be pulled out, consult your Honda dealer.
<i>CD ERR</i>	Mechanical Error	Press the CD eject button and pull out the CDs. Check for an error indication. Insert the CDs again. If the code does not disappear or the CDs cannot be pulled out, consult your Honda dealer.
<i>CD EJECT</i>	No CD in the CD Changer	Insert CDs.

## Operating the Cassette Player (Optional)

The cassette system features Dolby\* noise reduction, automatic sensing of chromium-dioxide (CrO<sub>2</sub>) tape, and auto-reverse for continuous play.

To operate the cassette player, the ignition switch must be in ACCESSORY (I) or ON (II). Make sure the tape opening on the cassette is facing to the right, then insert the cassette most of the way into the slot. The system will pull it in the rest of the way, and begin to play.

\* Dolby noise reduction manufactured under license from Dolby Laboratories Licensing Corporation. "DOLBY" and the double-D symbol  are trademarks of Dolby Laboratories Licensing Corporation.



*CONTINUED*



## Audio System

---

The tape direction indicator will light to show you which side of the cassette is playing. The ▲ indicates the side you inserted facing upward is now playing. If you want to play the other side, press the Preset 3 (PLAY/PROG) side of the preset bar.

Dolby noise reduction turns on when you insert a cassette. The □□ indicator will light in the display. If the tape was not recorded with Dolby noise reduction, turn it off by pressing the Preset 4 (NR) side of the preset bar.

Noise reduction remains off until you turn it on by pressing the button again.

When the system reaches the end of the tape, it will automatically reverse direction and play the other side. If you want to remove the cassette from the drive, press the eject button on the cassette player.

If you turn the system off while a tape is playing, either with the PWR/VOL knob or by turning off the ignition, the cassette will remain in the drive. When you turn the system back on, the cassette player will be in pause mode. To begin playing, press the Preset 3 (PLAY/PROG) side of the preset bar.

To switch to the radio or CD player while a tape is playing, press the AM/FM, or CD/AUX button. To change back to the cassette player, push the CD/AUX button.

### **Tape Search Functions**

With a cassette playing, you can use the FF, REW, SKIP, or REPEAT function to find a desired program.

**FF/REW** — Fast Forward and Rewind move the tape rapidly. To rewind the tape, push the Preset 1 (REW) side of the preset bar. You will see REW in the display. To fast forward the tape, push the Preset 2 (FF) side of the preset bar. You will see FF displayed. Press the Preset 1, 2, or 3 side of the bars to take the system out of rewind or fast forward. When the system reaches the end of the tape, it reverses direction and begins to play.

**SKIP** — The Skip function allows you to find the beginning of a song or passage. To activate SKIP, press the SEEK/SKIP bar. Press the **▶▶|** side to advance to the beginning of the next song or passage, or the **|◀◀** side to return to the beginning of the current song or passage. FF or REW will flash in the display as the tape moves. When the system reaches the beginning of the next song or passage (FF), or the beginning of the current one (REW), it goes back to PLAY mode.

*CONTINUED*

## Audio System

---

**REPEAT** — The Repeat function continuously replays the current song or passage. Press the RPT button to activate it; you will see RPT displayed as a reminder. When the system reaches the end of the song or passage currently playing, it will automatically go into rewind. When it senses the beginning of the same song or passage, the system returns to PLAY mode. It will continue to repeat this same program until you deactivate REPEAT by pressing the button again.

The SKIP and REPEAT functions use silent periods on the tape to find the end of a song or passage. These features may not work to your satisfaction if there is almost no gap between selections, a high noise level between selections, or a silent period in the middle of a selection.

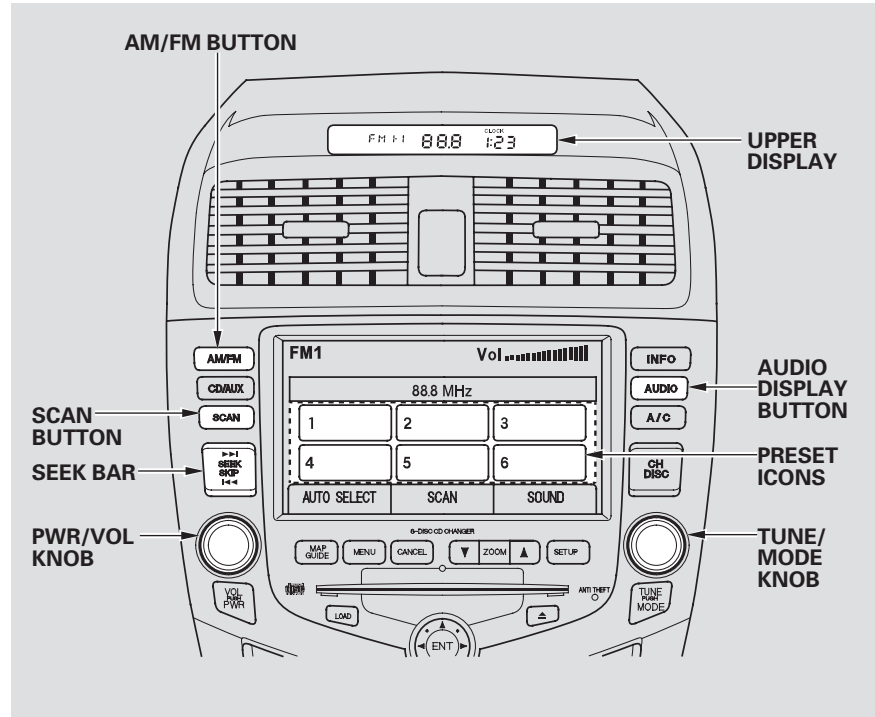
**Caring for the Cassette Player**  
Damaged cassettes can jam inside the drive or cause other problems. See page [191](#) for information on cassette care and protection.

## With Navigation System AM/FM/CD Changer Audio System

Your Honda's audio system provides clear reception on both AM and FM bands, while the preset icons in the audio display allow you to easily select your favorite stations.

The in-dash CD changer holds up to six discs. You operate the CD changer with the same controls used for the radio. See page 177 for CD changer operation.

The anti-theft feature will disable the system if it is disconnected from the car's battery. To get the system working again, you must enter a code number (see page 193).



## Audio System

---

### Operating the Radio

The ignition switch must be in ACCESSORY (I) or ON (II) to operate the audio system. Turn the system on by pressing the PWR/VOL knob, the AM/FM button, or the AUDIO DISPLAY button. Adjust the volume by turning the knob.

The band and frequency that the radio was last tuned to is displayed. To change bands, press the AM/FM button. On the FM band, ST will be seen in the upper display if the station is broadcasting in stereo. Stereo reproduction on AM is not available.

You can use any of five methods to find radio stations on the selected band: TUNE, SEEK, SCAN, AUTO SELECT, and the preset icons.

**TUNE** — Use the TUNE knob to tune the radio to a desired frequency. Turn the knob to the right to tune to a higher frequency, or to the left to tune to a lower frequency.

**SEEK** — The SEEK function searches the band for a station with a strong signal. To activate it, press the SEEK bar ( ◀◀ or ▶▶ ), then release it. Depending on which side of the SEEK bar you press, the system scans upward or downward from the current frequency. It stops when it finds a station with a strong signal.

**SCAN** — The SCAN function samples all the stations with strong signals on the selected band. To activate it, push and release the SCAN button on the driver's side of the audio display or touch the SCAN icon at the bottom of the display. You will see SCAN in the display. The system will scan up the band for a station with a strong signal. When it finds one, it will stop and play that station for approximately five seconds. If you do nothing, the system will then scan for the next strong station and play that for five seconds. When it plays a station that you want to continue listening to, press the SCAN button or touch the SCAN icon again.

**Preset** — You can store the frequencies of your favorite radio stations in the six preset icons. Each icon will store one frequency on the AM band, and two frequencies on the FM band.

To store a frequency:

1. Push the AUDIO DISPLAY button to view the audio display. You will see the six preset icons.
2. Select the desired band, AM or FM. FM1 and FM2 let you store two frequencies with each preset icon.
3. Use the TUNE, SEEK, or SCAN function to tune the radio to a desired station.
4. Pick the preset icon you want for that station. Touch the icon, and hold it until you hear a beep.

5. Repeat steps 2 to 4 to store a total of six stations on AM and twelve on FM.

Once a station's frequency is stored, simply touch the proper preset icon to tune to it.

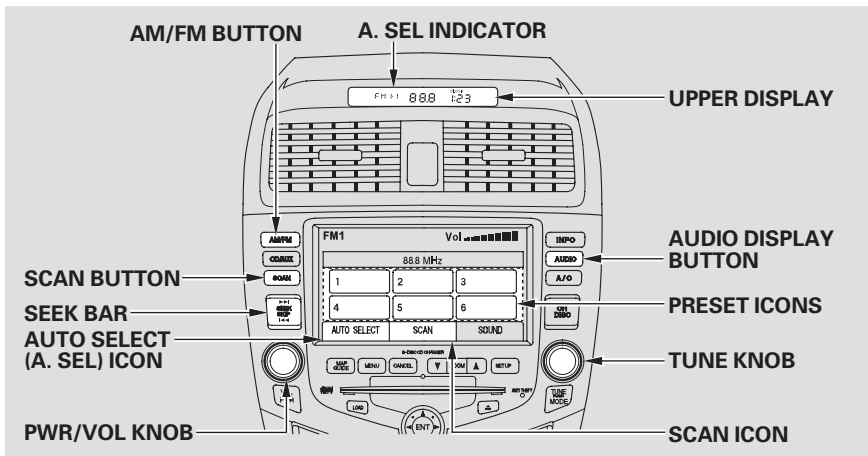
The preset frequencies will be lost if your car's battery goes dead, is disconnected, or the radio fuse is removed.

*CONTINUED*

## Audio System

**AUTO SELECT** — If you are traveling far from home and can no longer receive the stations you preset, you can use the Auto Select feature to find stations in the local area.

To activate Auto Select, touch the Auto Select icon on the display. The A.SEL indicator will flash in the upper display, and the system will go into scan mode for several seconds. It automatically scans both bands, looking for stations with strong signals. It stores the frequencies of six AM stations and twelve FM stations in the preset icons. You can then use the preset icons to select those stations. If you are in a remote area, Auto Select may not find six strong AM stations or twelve strong FM stations. If this happens, you will not see a station number on the corresponding preset icon.



If you do not like the stations Auto Select has stored, you can store other frequencies in the preset icons. Use the TUNE, SEEK, or SCAN function to find the desired frequencies, then store them in the selected preset icons as described previously.

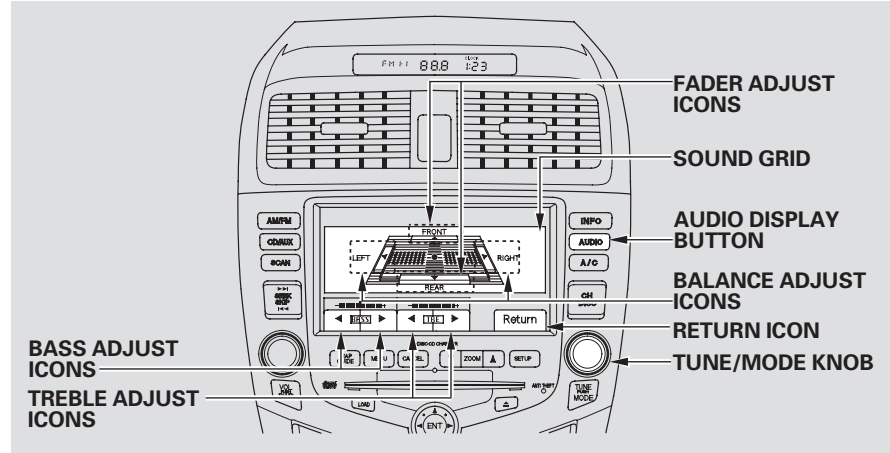
Auto Select does not erase the frequencies that you preset previously. When you return home, turn off Auto Select by touching the AUTO SELECT icon. The preset icons will then select the frequencies you originally set.

## Adjusting the Sound

Bass, Treble, Balance, and Fader are each adjustable. To adjust them, enter the sound grid by touching the SOUND icon on the display or pressing the TUNE knob.

**Treble/Bass** – To adjust the bass and treble, touch the ◀ or ▶ arrows next to the BASS or TRE icons. The adjustment bar above each button shows you the current setting.

**Balance/Fader** – These two modes adjust the strength of the sound coming from each speaker. BAL adjusts the side-to-side strength, while FAD adjusts the front-to-back strength. To adjust the balance, touch the left or right arrows on the sound grid. When you touch an arrow, the pink bars on the grid move toward it, changing the balance left or right. To equalize the balance, touch the left



or right arrow until each side has a pink bar at the center of the sound grid.

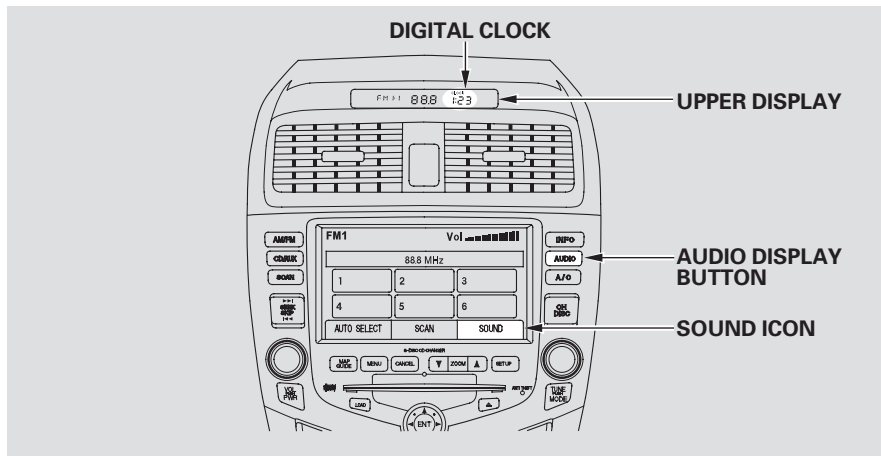
To adjust the fader, touch the front or rear arrows on the sound grid. When you touch an arrow, the blue bars on the grid move toward it, changing the fader to the front or

rear. To equalize the fader, touch the front or rear arrow until each side has a blue bar at the center of the sound grid.

To see the audio screen when you are finished adjusting the sound, touch the RETURN icon or wait five seconds. *CONTINUED*



## Audio System



If you want to adjust the sound while the radio/CD is playing, push the AUDIO DISPLAY button, then touch the SOUND icon in the display.

To return to the previous display, push the AUDIO DISPLAY button again.

### Digital Clock

The upper display shows the time when the ignition switch is in ACCESSORY (I) or ON (II). Refer to the Navigation System Owner's Manual to set up the time.

### Radio Frequencies

Your Honda's radio can receive the complete AM and FM bands. Those bands cover these frequencies:

AM band:

530 to 1,710 kilohertz

FM band:

87.7 to 107.9 megahertz

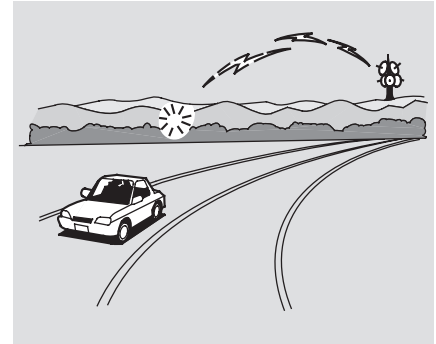
Radio stations on the AM band are assigned frequencies at least ten kilohertz apart (530, 540, 550). Stations on the FM band are assigned frequencies at least 0.2 megahertz apart (87.9, 88.1, 88.3).

Stations must use these exact frequencies. It is fairly common for stations to round-off the frequency in their advertising, so your radio could display a frequency of 100.9 even though the announcer may identify the station as "FM101."

### Radio Reception

How well your Honda's radio receives stations is dependent on many factors, such as the distance from the station's transmitter, nearby large objects, and atmospheric conditions.

A radio station's signal gets weaker as you get farther away from its transmitter. If you are listening to an AM station, you will notice the sound volume becoming weaker, and the station drifting in and out. If you are listening to an FM station, you will see the stereo indicator flickering off and on as the signal weakens. Eventually, the stereo indicator will go off and the sound will fade completely as you get out of range of the station's signal.

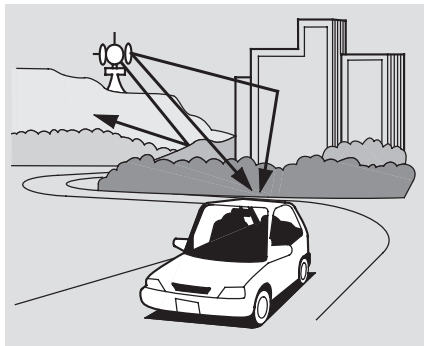


Driving very near the transmitter of a station that is broadcasting on a frequency close to the frequency of the station you are listening to can also affect your radio's reception. You may temporarily hear both stations, or hear only the station you are close to.

*CONTINUED*

## Audio System

---



Radio signals, especially on the FM band, are deflected by large objects such as buildings and hills. Your radio then receives both the direct signal from the station's transmitter, and the deflected signal. This causes the sound to distort or flutter. This is a main cause of poor radio reception in city driving.



Radio reception can be affected by atmospheric conditions such as thunderstorms, high humidity, and even sunspots. You may be able to receive a distant radio station one day and not receive it the next day because of a change in conditions.

Electrical interference from passing vehicles and stationary sources can cause temporary reception problems.

*As required by the FCC:  
Changes or modifications not expressly  
approved by the party responsible for  
compliance could void the user's  
authority to operate the equipment.*

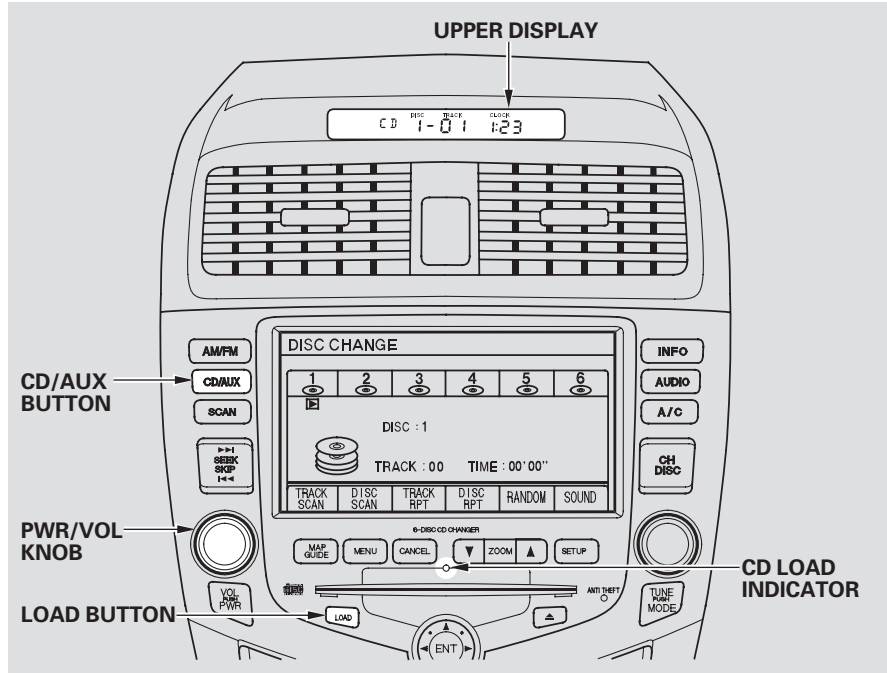
## Operating the CD Changer

Your Honda's audio system has an in-dash CD changer that holds up to six discs, providing several hours of continuous entertainment. You operate this CD changer with the same controls used for the radio.

To load CDs or operate the CD changer, the ignition switch must be in ACCESSORY (I) or ON (II).

Load and play only standard round discs. Odd-shaped CDs may jam in the drive or cause other problems. You cannot load and play 3-inch (8-cm) discs in this system.

For best results when using CD-R discs, use only high quality discs labeled for audio use. When recording a CD-R, the recording must be closed in order for the disc to be used by CD players. CD-RW discs will not work in this unit.



CONTINUED

## Audio System

---

### *Loading CDs in the Changer*

To load multiple CDs in one operation:

1. Press and hold the LOAD button until you hear a beep and see “LOAD” in the upper display, then release the button.
2. Insert the disc into the CD slot. Insert it only about halfway; the drive will pull it in the rest of the way. You will see “BUSY” in the display. The CD load indicator turns red and blinks as the CD is loaded.
3. When “LOAD” appears again in the display, insert the next disc into the CD slot.

4. Repeat this until all six positions are loaded. The system will then begin playing the last CD loaded.

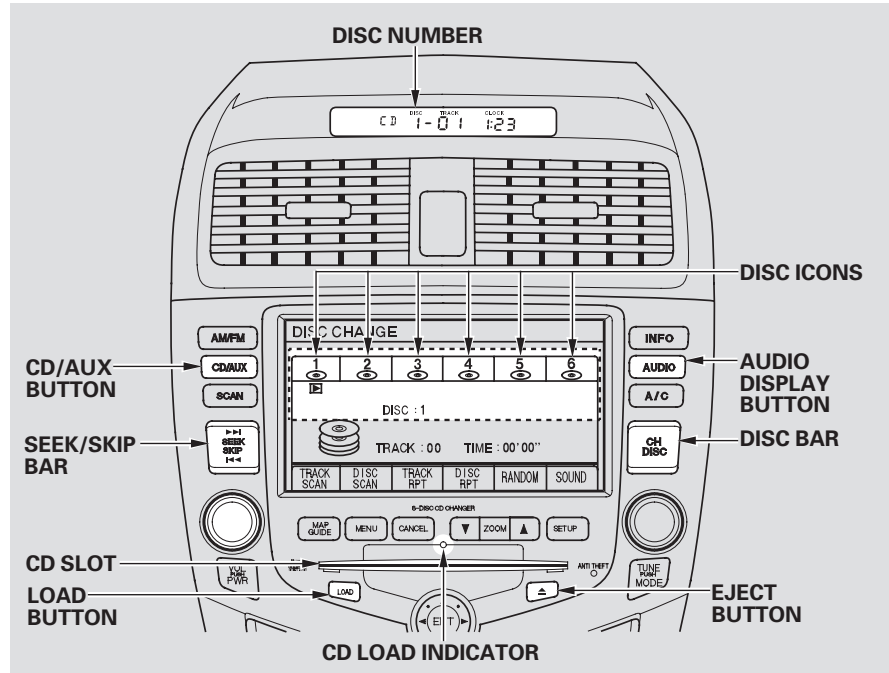
If you stop loading CDs before all six positions are filled, the system will wait for ten seconds, then stop the load operation and begin playing the last CD loaded.

To load a single CD:

1. Press and release the LOAD button.
2. The disc number for an empty position is highlighted and the green CD load indicator comes on. When you see “LOAD” in the upper display, insert the disc into the CD slot. Insert it only about halfway; the drive will pull it in the rest of the way.
3. The system will load the CD, and begin playing it.

If you press the LOAD button while a CD is playing, the system will stop playing that CD and start the loading sequence. It will then play the CD just loaded.

You can also load a CD into an empty position while a CD is playing by touching the appropriate disc icon. Select an empty position (the disc icon below the disc number is dark), and touch the icon for that position (1 – 6). The system will stop playing the current CD and start the loading sequence. It will then play the CD just loaded.



CONTINUED

## Audio System

---

### *Operation*

Select the CD changer by pressing the CD/AUX button. You will see “CD” in the upper display. The system will begin playing the last selected disc in the CD changer. You will see the disc and track numbers displayed.

When that disc ends, the next disc in the CD changer is loaded and played. After the last disc finishes, the system returns to disc 1.

To select a different disc, touch the appropriate disc icon (1 – 6) or press the DISC bar next to the audio display. If you select an empty position in the CD changer, the system will go into the loading sequence (see page [178](#)).

You can use the SKIP bar while a disc is playing to select passages and change tracks.

To move rapidly within a track, press and hold the top or bottom of the SKIP bar. You will hear a beep and the system will continue to move through the track. Press ►► to move forward, or ◀◀ to move backward. Release the bar when the system reaches the point you want.

Each time you press and release the top ►► of the SKIP bar, the system skips forward to the beginning of the next track. Press and release the bottom ◀◀ to skip backward to the beginning of the current track. Press it again to skip to the beginning of the previous track.

### **Track Scan**

When you touch the TRACK SCAN icon on the audio display or press the SCAN button next to the display, the first track of the current CD plays about 10 seconds. You will see TRACK SCAN in the display (or SCAN in the upper display). To hear the rest of the track, touch TRACK SCAN or press SCAN again, within 10 seconds. If you don't, the system advances to the next track, plays about 10 seconds of it, and continues through the rest of the tracks the same way.

### **Disc Scan**

When you touch the DISC SCAN icon on the audio display, the first track of the current CD plays about 10 seconds. You will see DISC SCAN in the display (or D-SCAN in the upper display). To hear the rest of the CD, touch DISC SCAN again, within 10 seconds. If you don't, the system advances to the next CD, plays about 10 seconds of it, and continues through the rest of the CDs the same way.

### **Track Repeat**

When you touch the TRACK RPT icon on the audio display, the system continuously replays the current track. As a reminder, you will see TRACK REPEAT in the display (or RPT in the upper display). To turn this feature off, touch TRACK REPEAT again.

### **Disc Repeat**

When you touch the DISC RPT icon on the audio display, the system continuously replays the current CD. As a reminder, you will see DISC REPEAT in the display (or D-RPT in the upper display). To turn this feature off, touch Disc RPT again.

### **Random Play**

When you touch the RANDOM icon on the audio display, the system plays the tracks of the current CD in random order, rather than in the order they were recorded. As a reminder, you will see TRACK RANDOM in the display (or RDM in the upper display). To turn this feature off, touch RANDOM again, or select a different CD with one of the disc icons.

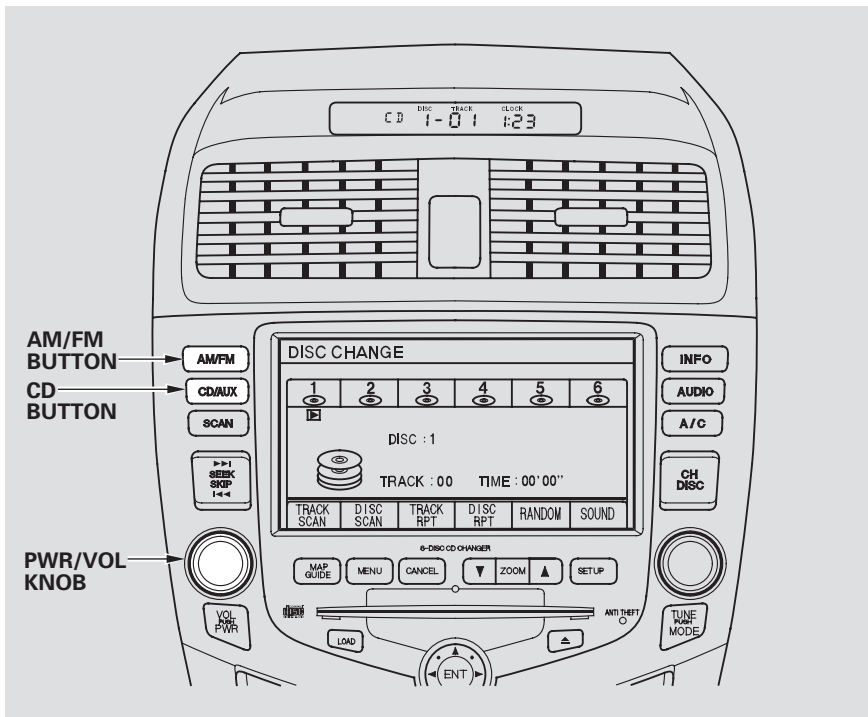
*CONTINUED*



## Audio System

To take the system out of CD mode, press the AM/FM button. Each time you press the AM/FM button, the system changes to the next mode (AM, FM1, or FM2). When you return to CD mode by pressing the CD button, play will continue at the same point that it left off.

If you turn the system off while a CD is playing, either with the PWR/VOL knob or the ignition switch, play will continue at the same point when you turn it back on.

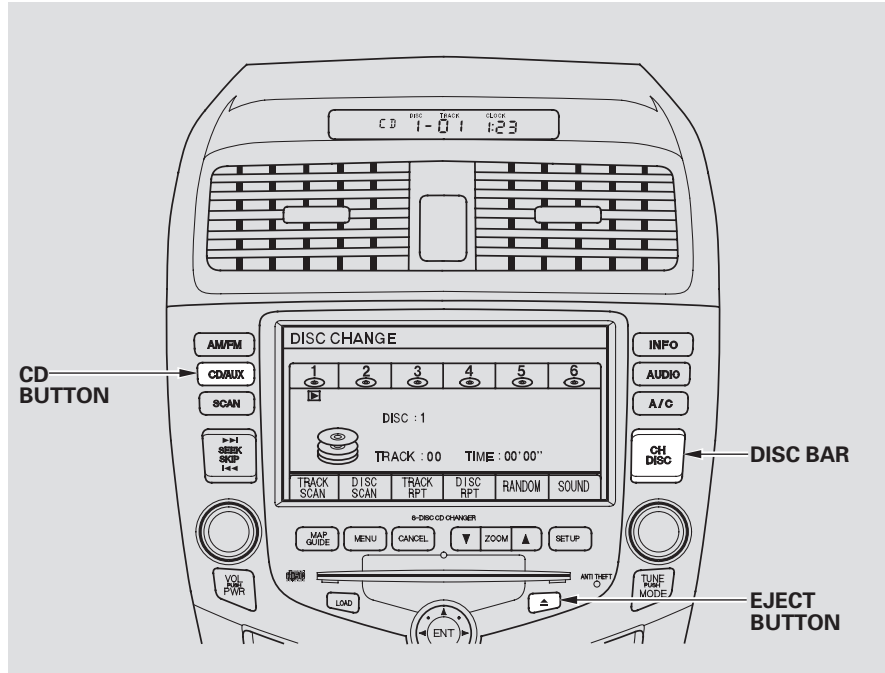


## ***Removing CDs from the Changer***

To remove the disc that is currently playing, press the eject button. You will see “EJEC” in the display. When you remove the disc from the slot, the system automatically begins the load sequence so you can load another CD in that position. If you do not load another CD, after 15 seconds, the system selects the previous mode (AM, /FM1, or FM2).

If you do not remove the disc from the slot, the system will reload the disc after 15 seconds and put the CD changer in pause mode. To begin playing the disc, press the CD button.

To remove a different CD from the changer, first select it with the appropriate disc icon or the DISC bar. When that CD begins playing, press the eject button.



*CONTINUED*

## Audio System

---

If you press the eject button while listening to the radio, or with the audio system turned off, the disc that was last selected is ejected. After that disc is ejected, pressing the eject button again will eject the next disc in numerical order. By doing this six times, you can remove all the CDs from the changer.

In any mode, if you press the eject button and hold it until you hear a beep, the system will eject all of the discs in the changer.

You can also eject discs when the ignition switch is off by pressing the eject button. The disc that was last selected is ejected first. You can eject up to five discs, one at a time.

### **Protecting Compact Discs**

For information on how to handle and protect compact discs, see page [186](#).

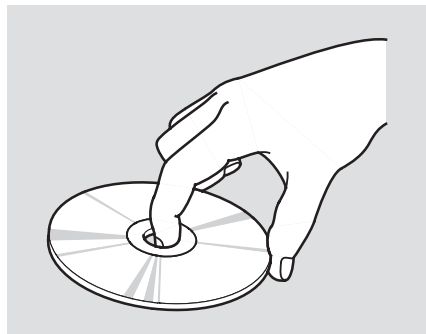
## CD Changer Error Indications

If you see an error indication in the upper display while operating the CD changer, find the cause in the chart to the right. If you cannot clear the error indication, take the car to your Honda dealer.

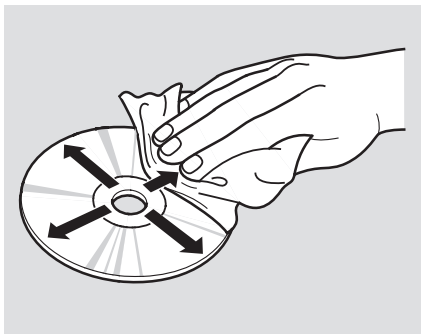
Indication	Cause	Solution
<i>CD DISC</i>	FOCUS Error	Press the CD eject button and pull out the CDs. Check for an error indication. Insert the CDs again. If the code does not disappear or the CDs cannot be pulled out, consult your Honda dealer.
<i>CD ERR</i>	Mechanical Error	Press the CD eject button and pull out the CDs. Check for an error indication. Insert the CDs again. If the code does not disappear or the CDs cannot be pulled out, consult your Honda dealer.

## Audio System

### Protecting Compact Discs

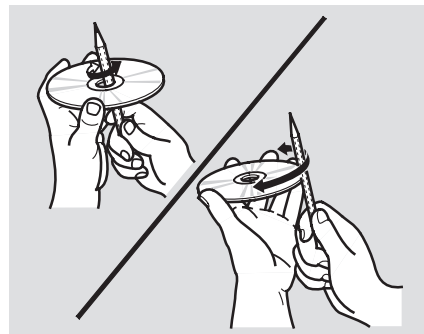


Handle a CD by its edges; never touch either surface. Do not place stabilizer rings or labels on the CD. These, along with contamination from fingerprints, liquids, and felt-tip pens, can cause the CD to not play properly, or possibly jam in the drive.



When a CD is not being played, store it in its case to protect it from dust and other contamination. To prevent warpage, keep CDs out of direct sunlight and extreme heat.

To clean a disc, use a clean soft cloth. Wipe across the disc from the center to the outside edge.




A new CD may be rough on the inner and outer edges. The small plastic pieces causing this roughness can flake off and fall on the recording surface of the disc, causing skipping or other problems. Remove these pieces by rubbing the inner and outer edges with the side of a pencil or pen.

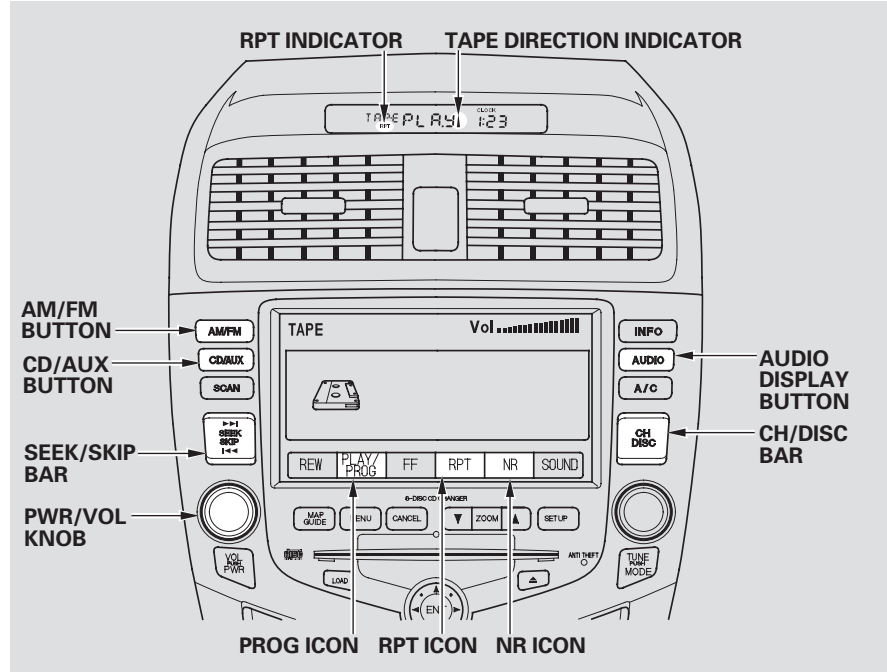
Never try to insert foreign objects in the CD player or the magazine.

## Operating the Cassette Player (Optional)

The cassette system features Dolby\* noise reduction, automatic sensing of chromium-dioxide (CrO<sub>2</sub>) tape, and auto-reverse for continuous play.

To operate the cassette player, the ignition switch must be in ACCESSORY (I) or ON (II). Make sure the tape opening on the cassette is facing to the right, then insert the cassette most of the way into the slot. The system will pull it in the rest of the way, and begin to play.

\* Dolby noise reduction manufactured under license from Dolby Laboratories Licensing Corporation. "DOLBY" and the double-D symbol  are trademarks of Dolby Laboratories Licensing Corporation.



CONTINUED

## Audio System

---

The tape direction indicator will light to show you which side of the cassette is playing. The ▲ indicates the side you inserted facing upward is now playing. If you want to play the other side, push the AUDIO DISPLAY button to change to the audio display, and touch the PROG icon.

Dolby noise reduction turns on when you insert a cassette. If the tape was not recorded with Dolby noise reduction, push the AUDIO DISPLAY button to change to the audio display, and turn it off by touching the NR icon on the display.

Noise reduction remains off until you turn it on by pressing the icon again.

When the system reaches the end of the tape, it will automatically reverse direction and play the other side. If you want to remove the cassette from the drive, press the eject button on the cassette player.

If you turn the system off while a tape is playing, either with the PWR/VOL knob or by turning off the ignition, the cassette will remain in the drive. When you turn the system back on, the cassette player will be in pause mode. To begin playing, push the AUDIO DISPLAY button to change to the audio display, and touch the PROG icon.

To switch to the radio or CD player while a tape is playing, press the AM/FM, or CD/AUX button. To change back to the cassette player, push the CD/AUX button.

### Tape Search Functions

With a cassette playing, you can use the FF, REW, SKIP, or REPEAT function to find a desired program.

**FF/REW** — Fast Forward and Rewind move the tape rapidly. To rewind the tape, push the upper side (▲) of the CH DISC bar. You will see REW in the display. To fast forward the tape, push the lower side (▼) of the CH DISC bar. You will see FF displayed. Press either side of the CH DISC bar or touch the PROG icon in the audio display to take the system out of rewind or fast forward. When the system reaches the end of the tape, it reverses direction and begins to play.

**SKIP** — The Skip function allows you to find the beginning of a song or passage. To activate SKIP, press the SEEK/SKIP bar. Press the ►►| side to advance to the beginning of the next song or passage, or the |◄◄ side to return to the beginning of the current song or passage. FF or REW will be shown in the upper display as the tape moves. When the system reaches the beginning of the next song or passage (FF), or the beginning of the current one (REW), it goes back to PLAY mode.

*CONTINUED*



## Audio System

---

**REPEAT** — The Repeat function continuously replays the current song or passage. Press the AUDIO DISPLAY button to change to the audio display, and touch the RPT icon in the display to activate it; you will see RPT displayed in the upper display as a reminder. When the system reaches the end of the song or passage currently playing, it will automatically go into rewind. When it senses the beginning of the same song or passage, the system returns to PLAY mode. It will continue to repeat this same program until you deactivate REPEAT by touching the icon again.

The SKIP and REPEAT functions use silent periods on the tape to find the end of a song or passage. These features may not work to your satisfaction if there is almost no gap between selections, a high noise level between selections, or a silent period in the middle of a selection.

### **Caring for the Cassette Player**

The cassette player picks up dirt and oxides from the tape. This contamination builds up over time and causes the sound quality to degrade. To prevent this, you should clean the player after every 30 hours of use. Your dealer has a cleaning kit available.

If you do not clean the cassette player regularly, it may eventually become impossible to remove the contamination with a normal cleaning kit.

Use 100-minute or shorter cassettes. Cassettes longer than that use thinner tape that may break or jam the drive.

Look at the cassette before you insert it. If the tape is loose, tighten it by turning a hub with a pencil or your finger.

If the label is peeling off, remove it from the cassette or it could cause the cassette to jam in the player. Never try to insert a warped or damaged cassette in the player.

When they are not in use, store cassettes in their cases to protect them from dust and moisture. Never place cassettes where they will be exposed to direct sunlight, high heat, or high humidity. If a cassette is exposed to extreme heat or cold, let it reach a moderate temperature before inserting it in the player.

Never try to insert foreign objects into the cassette player.

### *On Audio systems without Navigation System and on DX and LX models*

If you see the error indication “*TAPE ERR*” flashing on the display, press the TAPE eject button to remove the cassette from the unit. Make sure the tape is not damaged. If the cassette will not eject or the error indication stays on after the cassette ejects, take the car to your Honda dealer.

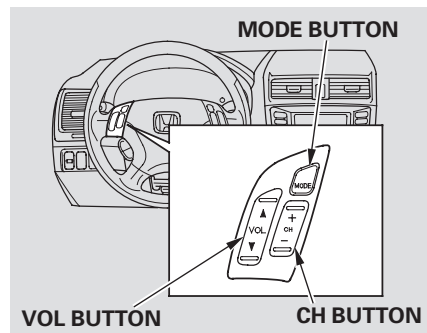
### *On Audio system with Navigation System*

If you see the error indication “*TAPE ERR*” on the upper display, press the TAPE eject button to remove the cassette from the unit. Make sure the tape is not damaged. If the cassette will not eject or the error indication stays on after the cassette ejects, take the car to your Honda dealer.

## Audio System

---

### Remote Audio Controls



*On all EX models and V6 models*

Three controls for the audio system are mounted in the steering wheel hub. These let you control basic functions without removing your hand from the wheel.

The VOL button adjusts the volume up (▲) or down (▼). Press the top or bottom of the button and hold it until the desired volume is reached, then release it.

The MODE button changes the mode. Pressing the button repeatedly selects FM1, FM2, AM or CD (if a CD is loaded).

If you are listening to the radio, use the CH button to change station. Each time you press the button up (+) or down (-), the system goes to the next preset station on the band you are listening to.

If you are playing a CD, the system skips to the beginning of the next track each time you push the CH button. You will see the disc and track number in the display.

### Theft Protection

*On EX and EX-V6 models*

Your car's audio system will disable itself if it is disconnected from electrical power for any reason. To make it work again, the user must enter a specific code using the preset bars or the TUNE knob. Because there are hundreds of number combinations possible, making the system work without knowing the exact code is nearly impossible.

You should have received a card that lists your audio system's code number and serial number. It is best to store this card in a safe place at home. In addition, you should write the audio system's serial number in this Owner's Manual. If you should happen to lose the card, you must obtain the code number from your Honda dealer. To do this, you will need the system's serial number.

If your car's battery is disconnected or goes dead, or the radio fuse is removed, the audio system will disable itself. If this happens, you will see "CODE"/"CODE" in the frequency display the next time you turn on the system. Use the preset buttons to enter the code.

If your car is equipped with a navigation system, press and release the TUNE knob; the number "0" appears on the display.

- If "0" is the first digit in your code, press and release the TUNE knob to store it.
- If "0" is not the first digit in your code, turn the TUNE knob left or right until the first digit is displayed. Press and release the TUNE knob to store it. Enter the remaining digits the same way.

When all the digits in the code are entered correctly, the radio will start playing.

If you make a mistake entering the code, do not start over or try to correct your mistake. Complete the sequence, then enter the correct code. You have ten tries to enter the correct code. If you are unsuccessful in ten attempts, you must then leave the system on for one hour before trying again.

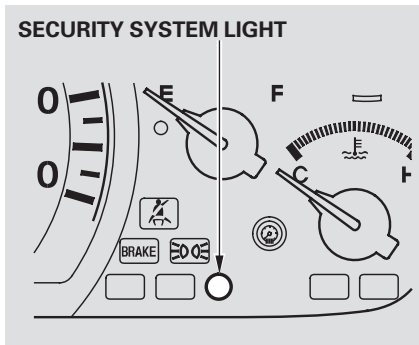
You will have to store your favorite stations on each side of the preset bars (1 – 6) after the system begins working. Your original settings were lost when power was disconnected.

## Security System

*On EX, all V6, and Canadian LX-G models*

The security system helps to protect your car and valuables from theft. The horn sounds and a combination of headlights, parking lights, side marker lights and taillights flashes if someone attempts to break into your car or remove the radio. This alarm continues for two minutes, then the system resets. To reset an alarming system before the two minutes have elapsed, unlock either front door with the key or the remote transmitter.

The security system automatically sets 15 seconds after you lock the doors, hood, and trunk. For the system to activate, you must lock the doors from the outside with the key, lock tab, door lock switch, or remote transmitter. The security system light on the instrument panel starts blinking immediately to show you the system is setting itself.



Once the security system is set, opening any door (without using the key or the remote transmitter), the hood, or the trunk will cause it to sound. It also sounds if the radio is removed from the dashboard or the wiring is cut.

With the system set, you can still open the trunk with the master key or the remote transmitter without triggering the alarm. The alarm will sound if the trunk lock is forced, or the trunk is opened with the trunk release handle.

The security system will not set if the hood, trunk, or any door is not fully closed. If the system will not set, check the Door Monitor on the instrument panel (see page 60), to see if the doors and trunk are fully closed. Since it is not part of the monitor display, manually check the hood.

Do not attempt to alter this system or add other devices to it.

*Except for U.S. DX model*

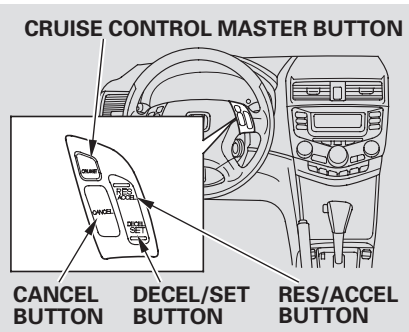
Cruise control allows you to maintain a set speed above 25 mph (40 km/h) without keeping your foot on the accelerator pedal. It should be used for cruising on straight, open highways. It is not recommended for conditions such as city driving, winding roads, slippery roads, heavy rain, or bad weather. You should have full control of the car under those conditions.

### **⚠ WARNING**

Improper use of the cruise control can lead to a crash.

Use the cruise control only when traveling on open highways in good weather.

### Using the Cruise Control



1. Push in the Cruise Control Master Button on the steering wheel. The CRUISE MAIN light on the instrument panel comes on.
2. Accelerate to the desired cruising speed above 25 mph (40 km/h).

3. Press and release the DECEL/SET button on the steering wheel. The CRUISE CONTROL light on the instrument panel comes on to show the system is now activated.

*CONTINUED*

## Cruise Control

---

The cruise control may not hold the set speed when you are going up and down hills. If your speed increases going down a hill, use the brakes to slow down to the desired speed. This will cancel the cruise control. To resume the set speed, press the RES/ACCEL button. The CRUISE CONTROL light on the instrument panel comes on.

When climbing a steep hill, the automatic transmission may downshift to hold the set speed.

### Changing the Set Speed

You can increase the set cruising speed in any of these ways:

- Press and hold the RES/ACCEL button. The car will accelerate. When you reach the desired cruising speed, release the button.

- Push on the accelerator pedal. Accelerate to the desired cruising speed and press the DECEL/SET button.
- To increase your speed in very small amounts, tap the RES/ACCEL button repeatedly. Each time you do this, your car will speed up about 1 mph (1.6 km/h).

You can decrease the set cruising speed in any of these ways:

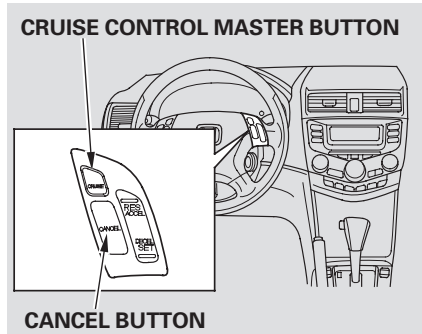
- Press and hold the DECEL/SET button. The car will decelerate. Release the button when you reach the desired speed.
- To slow down in very small amounts, tap the DECEL/SET button repeatedly. Each time you do this, your car will slow down about 1 mph (1.6 km/h).

- Tap the brake or clutch pedal lightly with your foot. The CRUISE CONTROL light on the instrument panel will go out. When the car slows to the desired speed, press the DECEL/SET button. The car will then maintain the desired speed.

Even with the cruise control turned on, you can still use the accelerator pedal to speed up for passing. After completing the pass, take your foot off the accelerator pedal. The car will return to the set cruising speed.

Resting your foot on the brake or clutch pedal will cause the cruise control to cancel.

### Cancelling the Cruise Control



You can cancel the cruise control in any of these ways:

- Tap the brake or clutch pedal.
- Push the CANCEL button on the steering wheel.
- Press the Cruise Control Master Switch.

When you push the CANCEL button, or tap the brake or clutch pedal, the CRUISE CONTROL light on the instrument panel will go out and the car will begin to slow down. You can use the accelerator pedal in the normal way.

The system remembers the previously-set cruising speed. To return to that speed, accelerate to above 25 mph (40 km/h), then press and release the RES/ACCEL button. The CRUISE CONTROL light comes on, and the car will accelerate to the same cruising speed as before.

Pressing the Cruise Control Master Switch turns the system completely off and erases the previous cruising speed from memory. To use the system again, refer to *Using the Cruise Control*.



## HomeLink Wireless Control System

---

*On EX-V6 model*

The HomeLink Wireless Control System built into your car can be programmed to operate remotely-controlled devices around your home, such as garage doors, lighting, or home security systems. It can replace up to three remote transmitters.

### **Customer Assistance**

If you have problems with training the HomeLink Wireless Control System, or would like information on home products that can be operated by the transmitter, call (800) 355-3515. On the Internet, go to [www.homelink.com](http://www.homelink.com).

### **Important Safety Precautions**

Always refer to the operating instructions and safety information that came with your garage door opener or other equipment you intend to operate with HomeLink. If you do not have this information, you should contact the manufacturer of the equipment.

While training or using HomeLink, make sure you have a clear view of the garage door or gate, and that no one will be injured by its movement.

### **General Information**

If you are training HomeLink to operate a garage door or gate, it is recommended that you unplug the motor for that device during training. Repeatedly pressing the remote control button could burn out the motor.

HomeLink stores the code in a permanent memory. There should be no need to retrain HomeLink if your car's battery goes dead or is disconnected.

If your garage door opener was manufactured before April 1982, you may not be able to program HomeLink to operate it. Garage door openers manufactured before that date do not have a safety feature that causes them to stop and reverse if an obstacle is detected during closing, increasing the risk of injury. If you have questions, call (800) 355-3515.

For quick and accurate training, make sure the remote control transmitter for the device (garage door, automatic gate, security system, etc.) has a fresh battery.

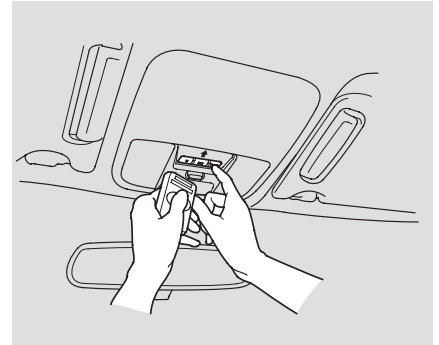
### Training HomeLink

Before you can use HomeLink to operate devices around your home, it must “learn” the proper codes. For example, to train HomeLink to open and close the garage door:

**Before you begin** — If you just took delivery of your car and have not trained any of the buttons in HomeLink before, you should erase any previously learned codes before training the first button. To do this, press and hold the two outside buttons on HomeLink for about 20 seconds, until the red light flashes. Release the buttons, then proceed to Step 1.

If you are training the second or third buttons, go directly to Step 1.

1. Unplug the garage door opener motor from the house current.
2. Hold the end of the garage door opener remote control 2 to 5 inches from HomeLink. Make sure you are not blocking your view of the red light in HomeLink.



3. Select the HomeLink button you want to train.
4. Press the button on the remote control and the button on HomeLink at the same time. Hold down both buttons.

*CONTINUED*

## HomeLink Wireless Control System

---

### *Canadian Owners:*

The remote control you are training may stop transmitting after two seconds. This is not long enough for HomeLink to learn the code. Release and press the button on the remote control every two seconds until HomeLink has learned the code.

5. The red light in HomeLink should begin flashing. It will flash slowly at first, then rapidly.
6. When the red light flashes rapidly, release both buttons. HomeLink should have learned the code from the remote control.
7. Plug in the garage door opener motor, then test the HomeLink button by pushing it. It should operate the garage door.

If the button does not work, repeat this procedure to train it again. If it still does not work, you may have a variable or rolling code garage door opener. Test this by pressing and holding the HomeLink button you just trained. If the red light blinks for two seconds, then stays on, you have a rolling code garage door opener. You may be able to verify this with the manufacturer's documentation. Go to "Training With a Rolling Code System."

8. Repeat these steps to train the other two HomeLink buttons to operate any other remotely-controlled devices around your home (lighting, automatic gate, security system, etc.).

### **Training With a Rolling Code System**

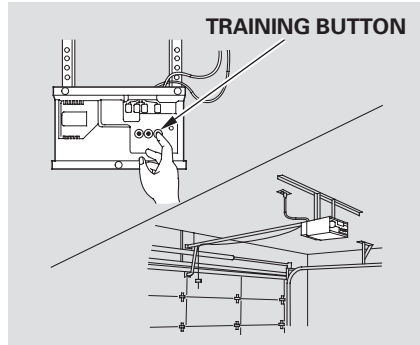
For security purposes, newer garage door opening systems use a "rolling" or variable code. Information from the remote control and the garage door opener are needed before HomeLink can operate the garage door opener.

The "Training HomeLink" procedure trains HomeLink to the proper garage door opener code. The following procedure synchronizes HomeLink to the garage door opener so they send and receive the correct codes.

## HomeLink Wireless Control System

It may be helpful to have someone assist you with this procedure.

1. Make sure you have properly completed the “Training HomeLink” procedure.
2. Find the “Training” button on your garage door opener unit. The location will vary, depending on the manufacturer. The manufacturer’s documentation may help.
3. Press the Training button on the garage door opener unit until the light next to the button comes on, then release it. The light may blink, or come on and stay on. You then have approximately 30 seconds to complete the following steps.



4. Press and hold the button on HomeLink for 3 – 4 seconds. (The same button you trained with the “Training HomeLink” procedure.)
5. Press and hold the HomeLink button again for 3 – 4 seconds. This should turn off the training light on the garage door opener unit. (Some systems may require you to press the button up to three times.)
6. Press the HomeLink button again. It should operate the garage door.

# HomeLink Wireless Control System

---

## Retraining a Button

To train an already programmed HomeLink button to operate a new device:

1. Select the HomeLink button you want to train.
2. Press and hold the HomeLink button until the red light begins to flash slowly (approximately 20 seconds).
3. While continuing to hold the HomeLink button, place the remote control for the device 2 to 5 inches from HomeLink.
4. Press and hold the button on the remote control. Hold both buttons until the red light begins to flash rapidly.

5. Release both buttons. HomeLink should now be trained to operate the device.

## Erasing Codes

To erase the codes stored in all three HomeLink buttons, press and hold the two outside buttons until the red light begins to flash, then release the buttons.

You should erase all three codes before selling the car.

*As required by the FCC:*

*This device complies with Part 15 of the FCC rules. Operation is subject to the following two conditions: (1) This device may not cause harmful interference, and (2) this device must accept any interference received, including interference that may cause undesired operation.*

*Changes or modifications not expressly approved by the party responsible for compliance could void the user's authority to operate the equipment.*

*This device complies with Industry Canada Standard RSS-210.*

*Operation is subject to the following two conditions: (1) this device may not cause interference, and (2) this device must accept any interference that may cause undesired operation of the device.*

Before you begin driving your Honda, you should know what gasoline to use, and how to check the levels of important fluids. You also need to know how to properly store luggage or packages. The information in this section will help you. If you plan to add any accessories to your car, please read the information in this section first.

Break-in Period .....	204
Gasoline .....	204
Service Station Procedures .....	204
Filling the Fuel Tank.....	204
Opening the Hood .....	206
Oil Check .....	208
Engine Coolant Check .....	210
Fuel Economy .....	211
Car Condition .....	211
Driving Habits.....	211
Accessories and Modifications ...	212
Carrying Cargo .....	214

## Break-in Period, Gasoline, Service Station Procedures

---

### Break-in Period

Help assure your car's future reliability and performance by paying extra attention to how you drive during the first 600 miles (1,000 km). During this period:

- Avoid full-throttle starts and rapid acceleration.
- Avoid hard braking. New brakes need to be broken-in by moderate use for the first 200 miles (300 km).
- Do not change the oil until the recommended time or mileage interval shown in the maintenance schedule.

You should follow these same recommendations with an overhauled or exchanged engine, or when the brakes are relined.

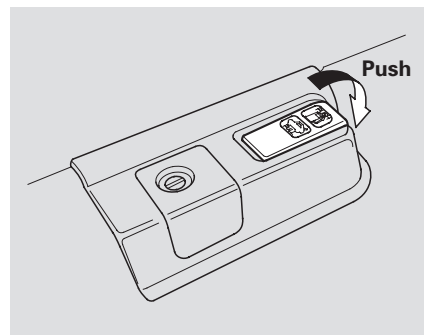
### Gasoline

Your Honda is designed to operate on unleaded gasoline with a pump octane number of 86 or higher. Use of a lower octane gasoline can cause a persistent, heavy metallic rapping noise in the engine that can lead to mechanical damage.

We recommend gasolines containing detergent additives that help prevent fuel system and engine deposits. Using gasoline containing lead will damage your car's emissions controls. This contributes to air pollution.

In Canada, some gasolines contain an octane-enhancing additive called MMT. If you use such gasolines, your emission control system performance may deteriorate and the Malfunction Indicator Lamp on your instrument panel may turn on. If this happens, contact your authorized Honda dealer for service.

### Filling the Fuel Tank

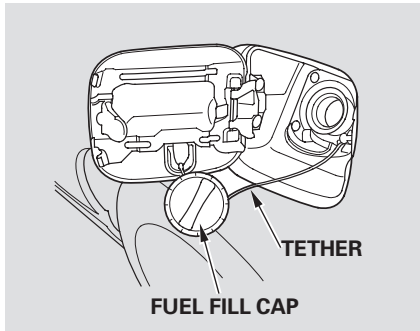


1. Because the fuel fill cap is on the driver's side of the car, park with that side closest to the service station pumps.
2. Open the fuel fill door by pushing on the handle to the left of the driver's seat.

### **⚠ WARNING**

Gasoline is highly flammable and explosive. You can be burned or seriously injured when handling fuel.

- Stop the engine and keep heat, sparks, and flame away.
- Handle fuel only outdoors.
- Wipe up spills immediately.



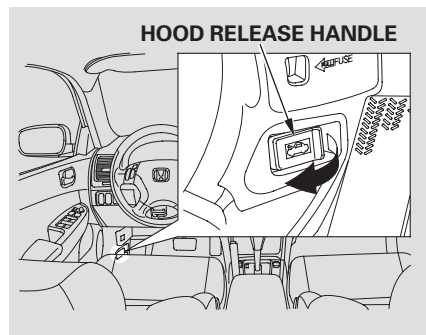
3. Remove the fuel fill cap slowly. You may hear a hissing sound as pressure inside the tank escapes. The fuel fill cap is attached to the fuel filler with a tether. Put the attachment on the fuel fill cap into the slit on the fuel fill door.
4. Stop filling the tank after the fuel nozzle automatically clicks off. Do not try to “top off” the tank, leave some room for the fuel to expand with temperature changes.
5. Screw the fuel fill cap back on, tighten it until it clicks several times. If you do not properly tighten the cap, the Malfunction Indicator Lamp may come on (see page 349 ).
6. Push the fuel fill door closed until it latches.

Your car has an on-board refueling vapor recovery system to help keep fuel vapors from going into the atmosphere. If the fuel nozzle keeps clicking off even though the tank is not full, there may be a problem with this system. Consult your dealer.

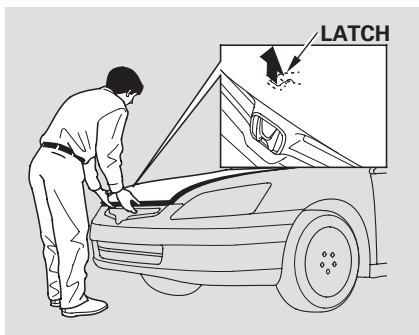


## Service Station Procedures

### Opening the Hood

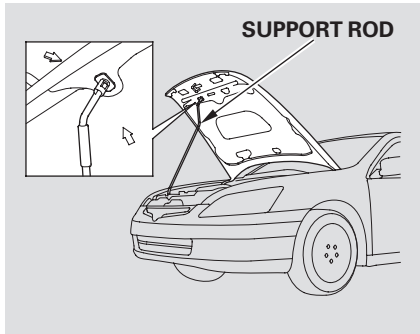


1. Shift to Park or Neutral and set the parking brake. Pull the hood release handle located under the lower left corner of the dashboard. The hood will pop up slightly.



2. Standing in front of the car, put your fingers under the front edge of the hood to the right of center. Slide your hand to the left until you feel the hood latch handle. Push this handle up until it releases the hood. Lift the hood.

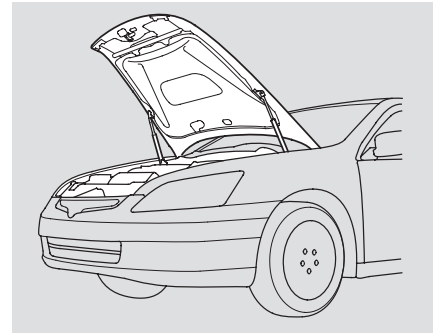
If you can open the hood without lifting the hood latch handle, or the hood latch handle moves stiffly or does not spring back as before, the mechanism should be cleaned and lubricated (see page [289](#)).



### *4-cylinder models*

3. Pull the support rod out of its clip and insert the end into the hole on the front of the hood near the center.

To close the hood, lift it up slightly to remove the support rod from the hole. Put the support rod back into its holding clip. Lower the hood to about a foot (30 cm) above the fender, then let it drop. After closing the hood, make sure it is securely latched.



### *6-cylinder models*

3. Lift the hood up most of the way. The hydraulic supports will lift it up the rest of the way and hold it up.

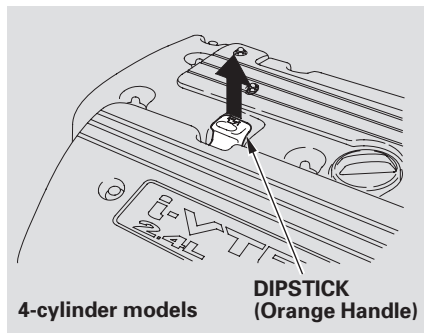
To close the hood, lower it to about a foot (30 cm) above the fender, then press down firmly with your hands. After closing the hood, make sure it is securely latched.

*CONTINUED*

# Service Station Procedures

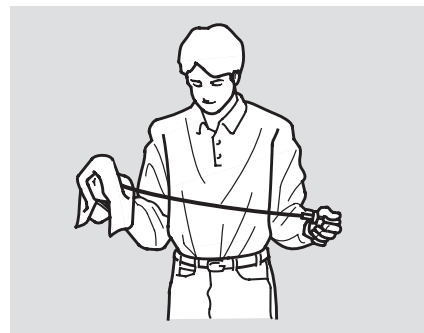
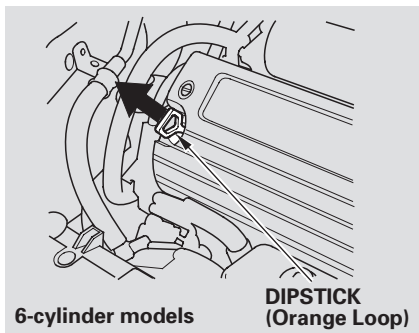
---

## Oil Check

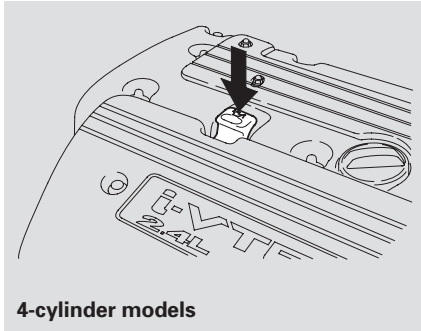


Check the engine oil level every time you fill the car with fuel. Wait a few minutes after turning the engine off before you check the oil.

1. Remove the dipstick.

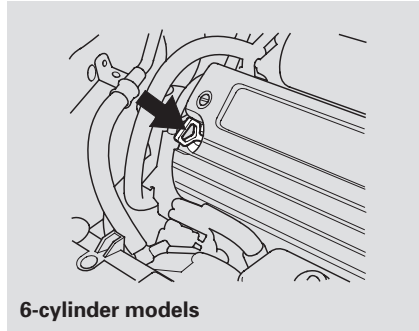


2. Wipe the dipstick with a clean cloth or paper towel.

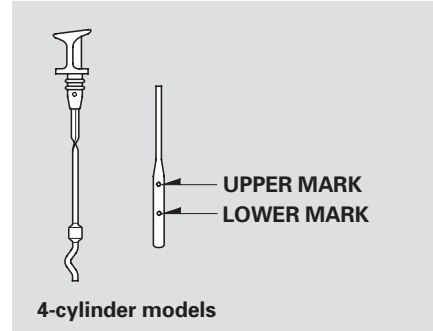


4-cylinder models

3. Insert it all the way back in its tube.



6-cylinder models



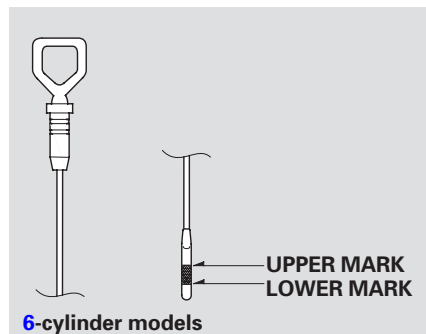
4-cylinder models

4. Remove the dipstick again and check the level. It should be between the upper and lower marks.

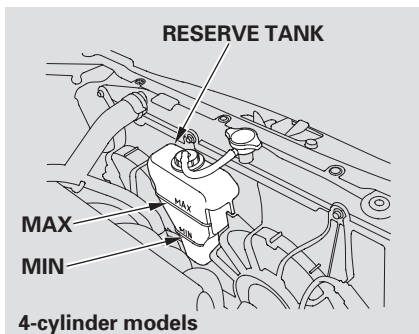
If it is near or below the lower mark, see **Adding Oil** on page [268](#).

*CONTINUED*

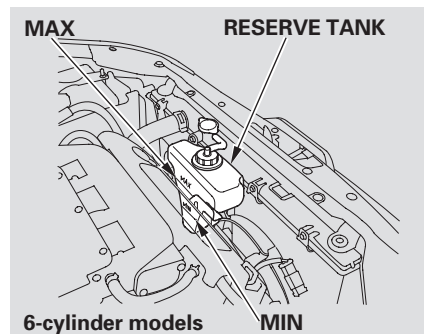
## Service Station Procedures



### Engine Coolant Check



Look at the coolant level in the radiator reserve tank. Make sure it is between the MAX and MIN lines. If it is below the MIN line, see **Adding Engine Coolant** on page 272 for information on adding the proper coolant.



Refer to **Owner Maintenance Checks** on page 265 for information on checking other items in your Honda.

The condition of your car and your driving habits are the two most important things that affect the fuel mileage you get.

### Car Condition

Always maintain your car according to the maintenance schedule. This will keep it in top operating condition.

An important part of that maintenance is the **Owner Maintenance Checks** (see page 265). For example, an underinflated tire causes more “rolling resistance,” which uses fuel. It also wears out faster, so check the tire pressure at least monthly.

In winter, the build-up of snow on your car’s underside adds weight and rolling resistance. Frequent cleaning helps your fuel mileage and reduces the chance of corrosion.

### Driving Habits

You can improve fuel economy by driving moderately. Rapid acceleration, abrupt cornering, and hard braking use more fuel.

Always drive in the highest gear that allows the engine to run and accelerate smoothly.

Depending on traffic conditions, try to maintain a constant speed. Every time you slow down and speed up, your car uses extra fuel. Use the cruise control, when appropriate, to increase fuel economy.

A cold engine uses more fuel than a warm engine. It is not necessary to “warm-up” a cold engine by letting it idle for a long time. You can drive away in about a minute, no matter how cold it is outside. The engine will warm up faster, and you get better fuel economy. To cut down on the number of “cold starts,” try to combine several short trips into one.

The air conditioning puts an extra load on the engine which makes it use more fuel. Turn off the A/C to cut down on air conditioning use. Use the flow-through ventilation when the outside air temperature is moderate.

## Accessories and Modifications

---

Modifying your car, or installing some non-Honda accessories, can make your car unsafe. Before you make any modifications or add any accessories, be sure to read the following information.

### Accessories

Your dealer has genuine Honda accessories that allow you to personalize your car. These accessories have been designed and approved for your car, and are covered by warranty.

Non-Honda accessories are usually designed for universal applications. Although aftermarket accessories may fit on your car, they may not meet factory specifications, and could adversely affect your car's handling and stability. (See "Modifications" on page 213 for additional information.)

### **WARNING**

Improper accessories or modifications can affect your car's handling, stability, and performance, and cause a crash in which you can be hurt or killed.

Follow all instructions in this owner's manual regarding accessories and modifications.

When properly installed, cellular phones, alarms, two-way radios, and low-powered audio systems should not interfere with your car's computer-controlled systems, such as the SRS and anti-lock brake system.

However, if electronic accessories are improperly installed, or exceed your car's electrical system capacity, they can interfere with the operation

of your car, or even cause the airbags to deploy.

Before installing any accessory:

- Make sure the accessory does not obscure any lights, or interfere with proper car operation or performance.
- Be sure electronic accessories do not overload electrical circuits (see page 353).
- Have the installer contact your Honda dealer for assistance before installing any electronic accessory.

If possible, have your dealer inspect the final installation.

### Modifications

Removing parts from your vehicle, or replacing components with non-Honda (aftermarket) components could seriously affect your vehicle's handling, stability, and reliability.

Some examples are:

- Lowering the vehicle with an aftermarket suspension kit that significantly reduces ground clearance can allow the undercarriage to impact speed bumps or other raised objects, which could cause the airbags to deploy.
- Raising the vehicle with an aftermarket suspension kit can affect the handling and stability.
- Aftermarket wheels, because they are a universal design, can cause excessive stress on suspension components.

- Larger or smaller wheels and tires can interfere with the operation of your vehicle's anti-lock brakes and other systems.

Do not modify your steering wheel or any other part of your Supplemental Restraint System. Modifications could make the system ineffective.

If you plan to modify your vehicle, consult with your Honda dealer.

### Additional Safety Precautions

- **Do not attach or place objects on the front airbag covers.** Any object attached to or placed on the covers marked "SRS AIRBAG," in the center of the steering wheel and on top of the dashboard, could interfere with the proper operation of the airbags. Or, if the airbags inflate, the objects could be propelled inside the car and hurt someone.

*On models equipped with side airbags or side curtain airbags*

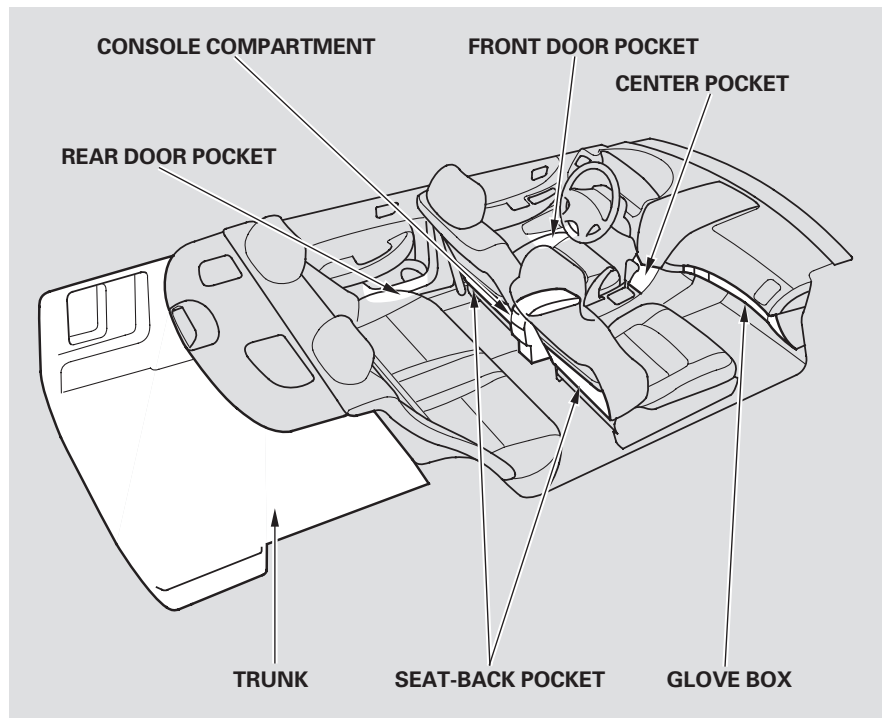
- **Do not attach hard objects on or near a front door.** If a side airbag or a side curtain airbag inflates, a cup holder or other hard object attached on or near the door could be propelled inside the car and hurt someone.

- **Do not place any objects over the outside edge of a front seat-back.** Covering the outside edge of a front seat-back, with a non-Honda seat cover for example, could prevent the airbag from inflating properly.



## Carrying Cargo

---



Your car has several convenient storage areas so you can stow cargo safely.

The glove box, and the pockets in the doors and seat-backs, are designed for small, lightweight items. The trunk is intended for larger, heavier items. In addition, the back seat can be folded down to allow you to carry more cargo or longer items.

However, carrying too much cargo, or improperly storing it, can affect your car's handling, stability, and operation, and make it unsafe. Before carrying any type of cargo, be sure to read the following pages.

### Load Limit

The maximum load for your car is 850 lbs (395 kg).

This figure includes the total weight of all occupants, cargo, accessories, and the tongue weight if you are towing a trailer.

To figure out how much cargo you can carry:

- Add up the weight of all occupants.
- If you are towing a trailer, add the tongue weight to the number above.
- Subtract the total from 850 lbs (395 kg).

The final number is the total weight of cargo you can carry.

### WARNING

Overloading or improper loading can affect handling and stability and cause a crash in which you can be hurt or killed.

Follow all load limits and other loading guidelines in this manual.

### Carrying Items in the Passenger Compartment

- Store or secure all items that could be thrown around and hurt someone during a crash.
- Do not put any items on top of the rear shelf. They can block your view and be thrown around the car during a crash.
- Be sure items placed on the floor behind the front seats cannot roll under the seats and interfere with the driver's ability to operate the pedals, or with the proper operation of the seats.
- Keep the glove box closed while driving. If it is open, a passenger could injure their knees during a crash or sudden stop.

## Carrying Cargo

---

### Carrying Cargo in the Trunk or on a Roof Top Carrier

- Distribute cargo evenly on the floor of the trunk, placing the heaviest items on the bottom and as far forward as possible.
  - If you fold down the back seat, tie down items that could be thrown about the car during a crash or sudden stop.
  - If you carry large items that prevent you from closing the trunk lid, exhaust gas can enter the passenger area. To avoid the possibility of carbon monoxide poisoning, follow the instructions on page [52](#) .
- If you can carry any items on a roof rack, be sure the total weight of the rack and the items does not exceed the maximum allowable weight. Please contact your Honda dealer for further information.

This section gives you tips on starting the engine under various conditions, and how to operate the 5-speed manual and automatic transmissions. It also includes important information on parking your car, the braking system, the Traction Control System, and facts you need if you are planning to tow a trailer.

Preparing to Drive .....	218
Starting the Engine.....	219
Starting in Cold Weather at High Altitude .....	220
5-speed Manual Transmission .....	221
Recommended Shift Points.....	222
Engine Speed Limiter .....	222
Automatic Transmission.....	222
Shift Lever Position Indicator ..	223
Shift Lever Positions .....	223
Engine Speed Limiter .....	226
Shift Lock Release.....	226
Parking .....	228
Parking Tips .....	228
The Braking System.....	229
Brake Wear Indicators.....	229
Brake System Design.....	230
Anti-lock Brakes .....	230
Important Safety Reminders .....	231
ABS Indicator .....	231
Traction Control System.....	232
TCS ON/OFF Switch.....	233
TCS Activation Indicator .....	233
Driving in Bad Weather .....	235
Towing a Trailer .....	237

## Preparing to Drive

---

You should do the following checks and adjustments every day before you drive your car.

1. Make sure all windows, mirrors, and outside lights are clean and unobstructed. Remove frost, snow, or ice.
2. Check that the hood and trunk are fully closed.
3. Visually check the tires. If a tire looks low, use a gauge to check its pressure.
4. Check that any items you may be carrying with you inside are stored properly or fastened down securely.
5. Check the adjustment of the seat (see page [87](#) ).
6. Check the adjustment of the inside and outside mirrors (see page [101](#) ).
7. Check the adjustment of the steering wheel (see page [73](#) ).
8. Make sure the doors are securely closed and locked.
9. Fasten your seat belt. Check that your passengers have fastened their seat belts (see page [15](#) ).
10. Turn the ignition switch ON (II). Check the indicator lights in the instrument panel.
11. Start the engine (see page [219](#) ).
12. Check the gauges and indicator lights in the instrument panel (see page [57](#) ).

1. Apply the parking brake.
2. In cold weather, turn off all electrical accessories to reduce the drain on the battery.
3. *Manual Transmission:*  
Push the clutch pedal down all the way. START (III) does not function unless the clutch pedal is depressed.  
  
*Automatic Transmission:*  
Make sure the shift lever is in Park. Press on the brake pedal.
4. Without touching the accelerator pedal, turn the ignition key to the START (III) position. If the engine does not start right away, do not hold the key in START (III) for more than 15 seconds at a time. Pause for at least 10 seconds before trying again.
5. If the engine does not start within 15 seconds, or starts but stalls right away, repeat step 4 with the accelerator pedal pressed half-way down. If the engine starts, release pressure on the accelerator pedal so the engine does not race.
6. If the engine still does not start, press the accelerator pedal all the way down and hold it there while starting in order to clear flooding. As before, keep the ignition key in the START (III) position for no more than 15 seconds. Return to step 5 if the engine does not start. If it starts, lift your foot off the accelerator pedal so the engine does not race.

## Starting the Engine

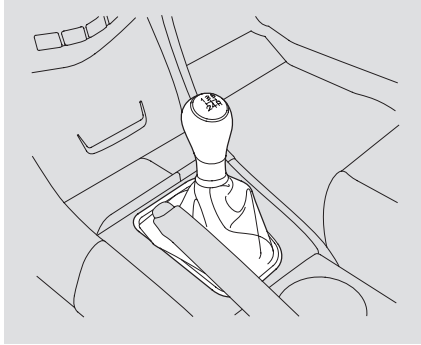
---

### **Starting in Cold Weather at High Altitude (Above 8,000 feet/ 2,400 meters)**

An engine is harder to start in cold weather. The thinner air found at high altitude above 8,000 feet (2,400 meters) adds to the problem. Use the following procedure:

1. Turn off all electrical accessories to reduce the drain on the battery.
2. Push the accelerator pedal half-way to the floor and hold it there while starting the engine. Do not hold the ignition key in START (III) for more than 15 seconds. When the engine starts, release the accelerator pedal gradually as the engine speeds up and smooths out.
3. If the engine fails to start in step 2, push the accelerator pedal to the floor and hold it there while you try to start the engine for no more than 15 seconds. If the engine does not start, return to step 2.

## 5-speed Manual Transmission



The manual transmission is synchronized in all forward gears for smooth operation. It has a lockout so you cannot shift directly from Fifth to Reverse. When shifting up or down, make sure you push the clutch pedal down all the way, shift to the next gear, and let the pedal up gradually. When you are not shifting, do not rest your foot on the clutch pedal. This can cause your clutch to wear out faster.

Come to a full stop before you shift into Reverse. You can damage the transmission by trying to shift into Reverse with the car moving. Push down the clutch pedal, and pause for a few seconds before shifting into Reverse, or shift into one of the forward gears for a moment. This stops the gears so they won't "grind."

When slowing down, you can get extra braking from the engine by shifting to a lower gear. This extra braking can help you maintain a safe speed and prevent your brakes from overheating while going down a steep hill. Before downshifting, make sure engine speed will not go into the tachometer's red zone in the lower gear.

### **⚠ WARNING**

Rapid slowing or speeding-up can cause loss of control on slippery surfaces. If you crash, you can be injured.

Use extra care when driving on slippery surfaces.



## 5-speed Manual Transmission, Automatic Transmission

---

### Recommended Shift Points

Drive in the highest gear that lets the engine run and accelerate smoothly. This will give you the best fuel economy and effective emissions control. The following shift points are recommended:

Shift up	Normal acceleration
1st to 2nd	15 mph (25 km/h)
2nd to 3rd	25 mph (40 km/h)
3rd to 4th	40 mph (65 km/h)
4th to 5th	50 mph (80 km/h)

### Engine Speed Limiter

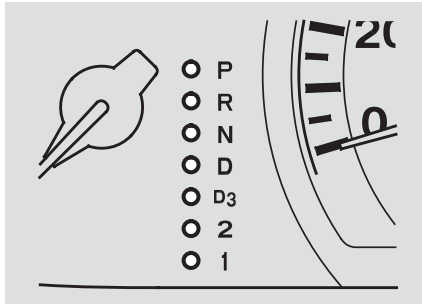
If you exceed the maximum speed for the gear you are in, the engine speed will enter into the tachometer's red zone. If this occurs, you may feel the engine cut in and out. This is caused by a limiter in the engine's computer controls. The engine will run normally when you reduce the RPM below the red zone.

Before downshifting, make sure the engine will not go into the tachometer's red zone.

### Automatic Transmission

Your Honda's transmission has five forward speeds, and is electronically controlled for smoother shifting. It also has a "lock-up" torque converter for better fuel economy. You may feel what seems like another shift when the converter locks.

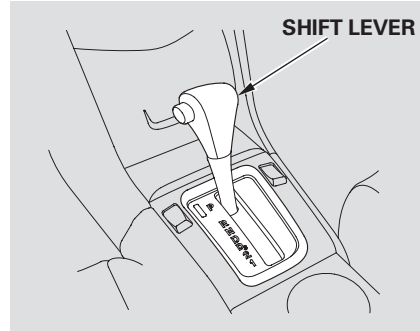
## Shift Lever Position Indicator



This indicator between the tachometer and speedometer shows which position the shift lever is in.

The “D” indicator comes on for a few seconds when you turn the ignition switch to ON (II). If it flashes while driving (in any shift position), it indicates a possible problem in the transmission. Avoid rapid acceleration and have the transmission checked by an authorized Honda dealer as soon as possible.

## Shift Lever Positions



The shift lever has seven positions. It must be in Park or Neutral to start the engine. When you are stopped in D, D<sub>3</sub>, 2, 1, N or R, press firmly on the brake pedal, and keep your foot off the accelerator pedal.

To shift from:	Do this:
P to R	Press the brake pedal and press the release button.
R to P N to R D <sub>3</sub> to 2 2 to 1	Press the release button.
1 to 2 2 to D <sub>3</sub> D <sub>3</sub> to D D to N D to D <sub>3</sub> N to D R to N	Move the lever.

*CONTINUED*

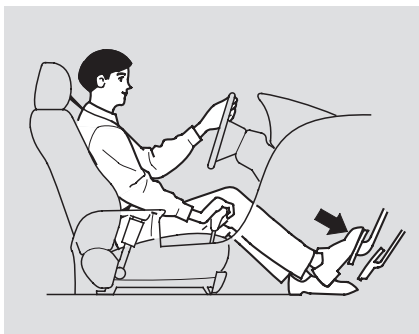
## Automatic Transmission

---

**Park (P)** — This position mechanically locks the transmission. Use Park whenever you are turning off or starting the engine. To shift out of Park, you must press on the brake pedal and have your foot off the accelerator pedal. Press the release button on the side of the shift lever to move it.

If you have done all of the above and still cannot move the lever out of Park, see Shift Lock Release on page [226](#).

You must also press the release button to shift into Park. To avoid transmission damage, come to a complete stop before shifting into Park. The shift lever must be in Park before you can remove the key from the ignition switch.



**Reverse (R)** — To shift to Reverse from Park, see the explanation under Park. To shift to Reverse from Neutral, come to a complete stop and then shift. Press the release button before shifting into Reverse from Neutral.

**Neutral (N)** — Use Neutral if you need to restart a stalled engine, or if it is necessary to stop briefly with the engine idling. Shift to Park position if you need to leave the car for any reason. Press on the brake pedal when you are moving the shift lever from Neutral to another gear.

**Drive (D)** — Use this position for your normal driving. The transmission automatically selects a suitable gear (1 through 5) for your speed and acceleration. You may notice the transmission shifting up at higher speeds when the engine is cold. This helps the engine warm up faster.

**Drive (D3)** — This position is similar to D, except only the first three gears are selected instead of all five. Use D3 when towing a trailer in hilly terrain, or to provide engine braking when going down a steep hill. D3 can also keep the transmission from cycling between third and fourth gears in stop-and-go driving.

For faster acceleration when in D3 or D, you can get the transmission to automatically downshift by pushing the accelerator pedal to the floor. The transmission will shift down one or two gears, depending on your speed.

**Second (2)** — To shift to Second, press the release button on the side of the shift lever. This position locks the transmission in second gear. It does not downshift to first gear when you come to a stop. Second gives you more power when climbing, and increased engine braking when going down steep hills. Use second gear when starting out on a slippery surface or in deep snow. It will help reduce wheelspin.

**First (1)** — To shift from Second to First, press the release button on the side of the shift lever. With the lever in this position, the transmission locks in First gear. By upshifting and downshifting through 1, 2, D3, and D, you can operate this transmission much like a manual transmission without a clutch pedal.

## Automatic Transmission

---

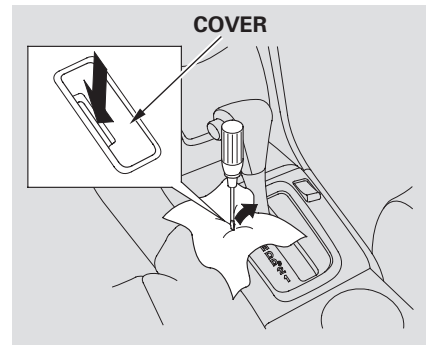
### Engine Speed Limiter

If you exceed the maximum speed for the gear you are in, the engine speed will enter into the tachometer's red zone. If this occurs, you may feel the engine cut in and out. This is caused by a limiter in the engine's computer controls. The engine will run normally when you reduce the RPM below the red zone.

### Shift Lock Release

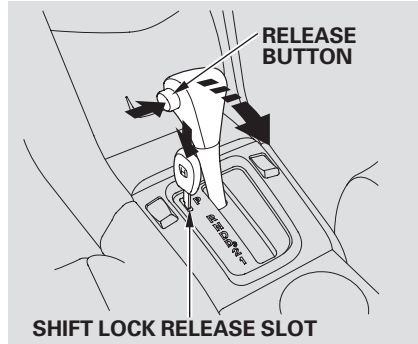
This allows you to move the shift lever out of Park if the normal method of pushing on the brake pedal and pressing the release button does not work.

1. Set the Parking brake.
2. Remove the key from the ignition switch.



3. Put a cloth on the edge of the Shift Lock Release slot cover next to the shift lever. Use a small flat-tipped screwdriver or finger nail file to remove the cover. Carefully pry off the edge of the cover.

4. Insert the key in the Shift Lock Release slot.



5. Push down on the key while you press the release button on the shift lever and move the shift lever out of Park to Neutral.
6. Remove the key from the Shift Lock Release slot, then reinstall the cover. Make sure the notch on the cover is on the left side. Depress the brake pedal and restart the engine.

If you need to use the Shift Lock Release, it means your car is developing a problem. Have the car checked by your Honda dealer.

## Parking

---

Always use the parking brake when you park your car. The indicator on the instrument panel shows that the parking brake is not fully released; it does not indicate that the parking brake is firmly set. Make sure the parking brake is set firmly or your car may roll if it is parked on an incline.

If your car has an automatic transmission, set the parking brake before you put the transmission in Park. This keeps the car from moving and putting pressure on the parking mechanism in the transmission — making it easier to move the shift lever out of Park when you want to drive away.

If the car is facing uphill, turn the front wheels away from the curb. If you have a manual transmission, put it in first gear.

If the car is facing downhill, turn the front wheels toward the curb. If you have a manual transmission, put it in reverse gear.

Make sure the parking brake is fully released before driving away. Driving with the parking brake partially set can overheat or damage the rear brakes.

### Parking Tips

- Make sure the moonroof (if equipped) and the windows are closed.
- Turn off the lights.
- Place any packages, valuables, etc., in the trunk or take them with you.
- Lock the doors with the key or the remote transmitter.  
*On EX, LX-V6, and Canadian LX-G models*  
Check the indicator on the instrument panel to verify that the security system is set.
- Never park over dry leaves, tall grass, or other flammable materials. The three way catalytic converter gets very hot, and could cause these materials to catch on fire.

Your Honda is equipped with front disc brakes. The brakes on the rear wheels may be disc or drum, depending on the model. A power assist helps reduce the effort needed on the brake pedal.

Put your foot on the brake pedal only when you intend to brake. Resting your foot on the pedal keeps the brakes applied lightly, causing them to build up heat. Heat build-up can reduce how well your brakes work. It also keeps your brake lights on all the time, confusing drivers behind you.

Constant application of the brakes when going down a long hill builds up heat and reduces their effectiveness. Use the engine to assist the brakes by downshifting to a lower gear and taking your foot off the accelerator pedal.

Check your brakes after driving through deep water. Apply the brakes moderately to see if they feel normal. If not, apply them gently and frequently until they do. Since a longer distance is needed to stop with wet brakes, be extra cautious and alert in your driving.

### **Brake Wear Indicators**

The front disc brakes on all models have audible brake wear indicators. They are also on the rear brakes of cars equipped with rear disc brakes (EX, EX-V6, and LX-V6 models) as standard equipment.

When the brake pads need replacing, you will hear a distinctive metallic “screeching” sound when you apply the brakes. If you do not have the brake pads replaced, they will begin screeching all the time.

Your brakes may sometimes squeal or squeak when you apply them lightly. Do not confuse this with the brake wear indicators. They make a very audible “screeching.”

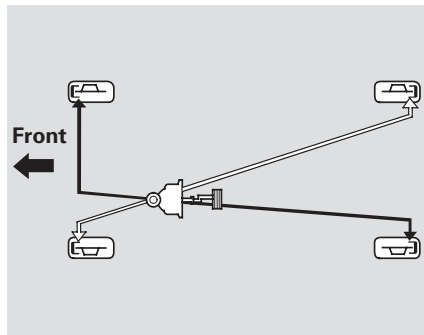


# The Braking System

---

## Brake System Design

The hydraulic system that operates the brakes has two separate circuits. Each circuit works diagonally across the car (the left-front brake is connected with the right-rear brake, etc.). If one circuit should develop a problem, you will still have braking at two wheels.



## Anti-lock Brakes

Your car has an Anti-lock Brake System (ABS) as standard equipment. ABS helps to prevent the wheels from locking up and skidding during hard braking, allowing you to retain steering control.

When the front tires skid, you lose steering control; the car continues straight ahead even though you turn the steering wheel. The ABS helps to prevent lock-up and helps you retain steering control by pumping the brakes rapidly; much faster than a person can do it.

The ABS also balances the front-to-rear braking distribution according to car loading.

## You should never pump the

**brake pedal;** this defeats the purpose of the ABS. Let the ABS work for you by always keeping firm, steady pressure on the brake pedal as you steer away from the hazard. This is sometimes referred to as *"stomp and steer."*

You will feel a pulsation in the brake pedal when the ABS activates, and you may hear some noise. This is normal; it is the ABS rapidly pumping the brakes.

Activation varies with the amount of traction your tires have. On dry pavement, you will need to press on the brake pedal very hard before you activate the ABS. However, you may feel the ABS activate immediately if you are trying to stop on snow or ice.

### **Important Safety Reminders**

**ABS does not reduce the time or distance it takes to stop the car;** it only helps with steering control during braking. You should always maintain a safe following distance from other vehicles.

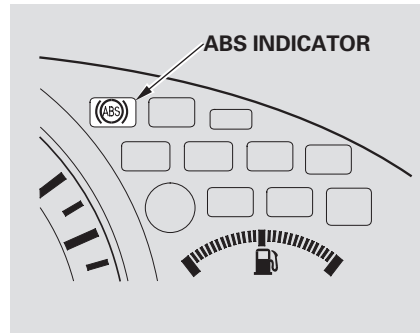
**ABS will not prevent a skid that results from changing direction abruptly,** such as trying to take a corner too fast or making a sudden lane change. Always drive at a safe, prudent speed for the road and weather conditions.

**ABS cannot prevent a loss of stability.** Always steer moderately when you are braking hard. Severe or sharp steering wheel movement can still cause your car to veer into oncoming traffic or off the road.

**A car with ABS may require a longer distance to stop** on loose or uneven surfaces, such as gravel or

snow, than a car without anti-lock. Slow down and allow a greater distance between cars under those conditions.

### **ABS Indicator**



The ABS is self-checking. If anything goes wrong, the ABS indicator on the instrument panel comes on (see page 59). This means the anti-lock function of the braking system has shut down. The brakes still work like a conventional system without anti-

lock, providing normal stopping ability. You should have the dealer inspect your car as soon as possible.

If the ABS indicator and the brake system indicator come on together, and the parking brake is fully released, the front-to-rear braking distribution system may also shut down.

Test your brakes as instructed on page 351. If the brakes feel normal, drive slowly and have your car repaired by your dealer as soon as possible. Avoid sudden hard braking which could cause the rear wheels to lock up and possibly lead to a loss of control.

*On all LX-V6 and EX-V6 models*  
The TCS indicator will come on along with the ABS indicator.

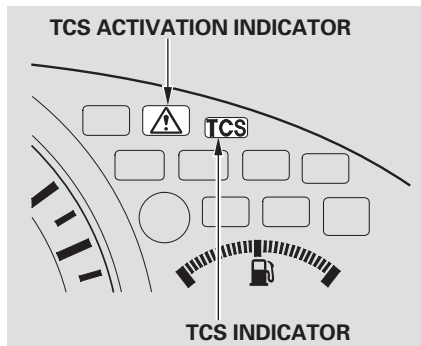
## Traction Control System

*On LX-V6 and EX-V6 models*

Your Honda is equipped with a Traction Control System (TCS) to assist you in maintaining traction while driving slowly on loose or slippery surfaces.

TCS monitors the speed of all four wheels. When it senses a front wheel losing traction, it applies braking to that wheel. The TCS Activation indicator flashes when this occurs.

Driving with TCS requires no special skills or technique. The TCS does not control your car's whole braking system and cannot prevent skidding if you enter a corner too fast. It is still your responsibility to drive at reasonable speeds and to leave a sufficient margin of safety.



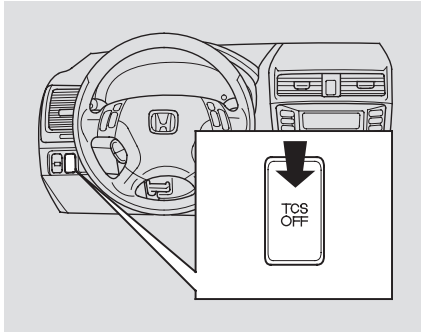
When starting out or driving on a loose or slippery road surface, you may notice that the car does not respond to the accelerator in the same way it does at other times. This is a sign TCS is activating. You will see the TCS Activation indicator light flash.

The TCS indicator (see page 60) comes on and stays on when there is a problem with the TCS. The TCS Activation indicator will also come on.

You should still install winter tires on your car during the winter. Make sure to use the same size originally supplied with car. Exercise the same caution in winter driving as you would if your car was not equipped with TCS.

Driving with the compact spare tire installed (see page 334) may activate the TCS. You should turn off the system.

### TCS ON/OFF Switch



This switch is under the side vent. It lets you turn the Traction Control System on and off. You cannot turn off the TCS while the TCS Activation light is flashing.

Deactivate the system by pressing the TCS On/Off switch. The TCS Activation indicator light comes on as a reminder. Pressing the switch again turns the system back on.

The Traction Control System turns on every time you start the engine, even if you turned it off the last time you drove the car.

### TCS Activation Indicator

The TCS indicator comes on or flashes under the following conditions:

- When you turn the ignition switch to ON (II).
- When you manually turn off TCS.
- It flashes when TCS is regulating wheelspin.
- If the system's diagnostics senses a problem with TCS, the indicator will come on and stay on along with the TCS indicator.

*CONTINUED*

## Traction Control System

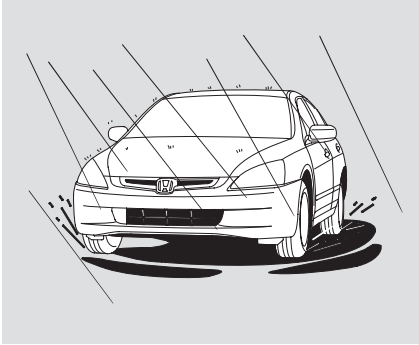
---

If the TCS indicator comes on while driving, pull to the side of the road when it is safe and turn off the engine. Reset the system by re-starting the engine, and watch the TCS indicator. If the indicator remains on, or comes back on while driving, have the TCS inspected by your Honda dealer. You can still drive the car without TCS.

The TCS indicator may occasionally come on for one or two seconds and then go out. This is normal.

This indicator will come on along with the ABS indicator if there is a problem in the anti-lock brake system (see **ABS Indicator** on page [231](#) ).

If the TCS indicator comes on along with the Brake System indicator, it indicates a problem in the brake system (see **Brake System Indicator** on page [58](#) ).



Rain, fog, and snow conditions require a different driving technique because of reduced traction and visibility. Keep your car well-maintained and exercise greater caution when you need to drive in bad weather. The cruise control should not be used in these conditions.

**Driving Technique** — Always drive slower than you would in dry weather. It takes your car longer to react, even in conditions that may seem just barely damp. Apply smooth, even pressure to all the controls. Abrupt steering wheel movements or sudden, hard application of the brakes can cause loss of control in wet weather. Be extra cautious for the first few miles (kilometers) of driving while you adjust to the change in driving conditions. This is especially true in snow. A person can forget some snow-driving techniques during the summer months. Practice is needed to relearn those skills.

Exercise extra caution when driving in rain after a long dry spell. After months of dry weather, the first rains bring oil to the surface of the roadway, making it slippery.

*CONTINUED*

## Driving in Bad Weather

---

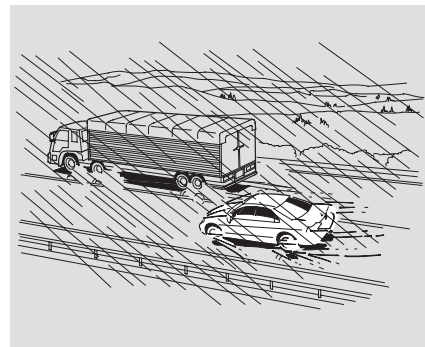
**Visibility** — Being able to see clearly in all directions and being visible to other drivers are important in all weather conditions. This is more difficult in bad weather. To be seen more clearly during daylight hours, turn on your headlights.

Inspect your windshield wipers and washers frequently. Keep the windshield washer reservoir full of the proper fluid. Have the windshield wiper blades replaced if they start to streak the windshield or leave parts unwiped. Use the defroster and air conditioning to keep the windows from fogging up on the inside (see pages [125](#) and [131](#)).

**Traction** — Check your tires frequently for wear and proper pressure. Both are important in preventing “hydroplaning” (loss of traction on a wet surface). In the winter, mount snow tires on all four wheels for the best handling.

Watch road conditions carefully, they can change from moment to moment. Wet leaves can be as slippery as ice. “Clear” roads can have patches of ice. Driving conditions can be very hazardous when the outside temperature is near freezing. The road surface can become covered with areas of water puddles mixed with areas of ice, so your traction can change without warning.

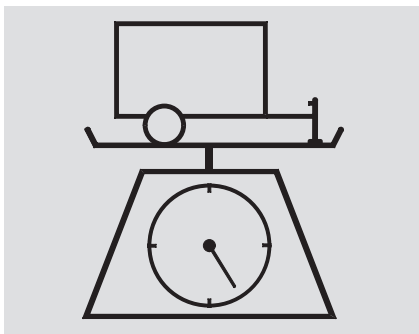
Be careful when downshifting. If traction is low, you can lock up the drive wheels for a moment and cause a skid.



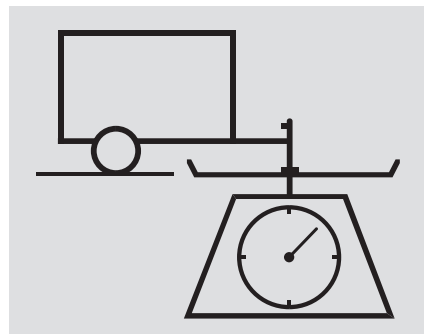
Be very cautious when passing, or being passed by other vehicles. The spray from large vehicles reduces your visibility, and the wind buffeting can cause you to lose control.

Your Honda has been designed primarily to carry passengers and their cargo. You can use it to tow a trailer if you carefully observe the load limits, use the proper equipment, and follow the guidelines in this section.

### Load Limits



- **Total Trailer Weight:** The total weight of the trailer and everything loaded in it must not exceed 1,000 lbs (450 kg). Towing a load that is too heavy can seriously affect your car's handling and performance. It can also damage the engine and drivetrain.



- **Tongue Load:** The weight that the tongue of a fully-loaded trailer puts on the hitch should be approximately 10 percent of the trailer weight. Too little tongue load can make the trailer unstable and cause it to sway. Too much tongue load reduces front-tire traction and steering control.

*CONTINUED*



## Towing a Trailer

---

To achieve a proper tongue load, start by loading 60 percent of the load toward the front of the trailer and 40 percent toward the rear, then re-adjust the load as needed.

- **Gross Vehicle Weight Rating (GVWR):**

The total weight of the car, all occupants, all cargo, and the tongue load must not exceed:

*4-cylinder models:*

(DX, LX)

4,080 lbs (1,850 kg)

(EX, EX-L)

4,125 lbs (1,870 kg)

*6-cylinder models:*

4,300 lbs (1,950 kg)

- **Gross Axle Weight Rating (GAWR):**

The total weight of the car, all occupants, all cargo, and the tongue load must not exceed:

*4-cylinder models:*

(DX, LX)

2,195 lbs (995 kg)

on the front axle

1,960 lbs (890 kg)

on the rear axle

(EX, EX-L)

2,225 lbs (1,010 kg)

on the front axle

1,985 lbs (900 kg)

on the rear axle

*6-cylinder models:*

2,360 lbs (1,070 kg)

on the front axle

2,005 lbs (910 kg)

on the rear axle

### **WARNING**

Exceeding load limits or improperly loading your car and trailer can cause a crash in which you can be seriously injured or killed.

Check the loading of your car and trailer carefully before starting to drive.

### **Checking Loads**

The best way to confirm that car and trailer weights are within limits is to have them checked at a public scale.

Using a suitable scale or a special tongue load gauge, check the tongue load the first time you set up a towing combination (a fully-loaded car and trailer), then recheck the tongue load whenever the conditions change.

### **Towing Equipment and Accessories**

Towing can require a variety of equipment, depending on the size of your trailer, how it will be used, and how much load you are towing.

Discuss your needs with your trailer sales or rental agency, and follow the guidelines in the rest of this section. Also make sure that all equipment is properly installed and that it meets federal, state, province, and local regulations.

### **Hitches**

Any hitch used on your car must be properly bolted to the underbody.

### **Safety Chains**

Always use safety chains. Make sure they are secured to both the trailer and hitch, and that they cross under the tongue so they can catch the trailer if it becomes unhitched. Leave enough slack to allow the trailer to turn corners easily, but do not let the chains drag on the ground.

### **Trailer Brakes**

Honda recommends that any trailer having a total weight of 1,000 lbs (450 kg) or more be equipped with its own electric or surge-type brakes.

If you choose electric brakes, be sure they are electronically actuated. Do not attempt to tap into your car's hydraulic system. No matter how successful it may seem, any attempt to attach trailer brakes to your car's hydraulic system will lower braking effectiveness and create a potential hazard.

*CONTINUED*

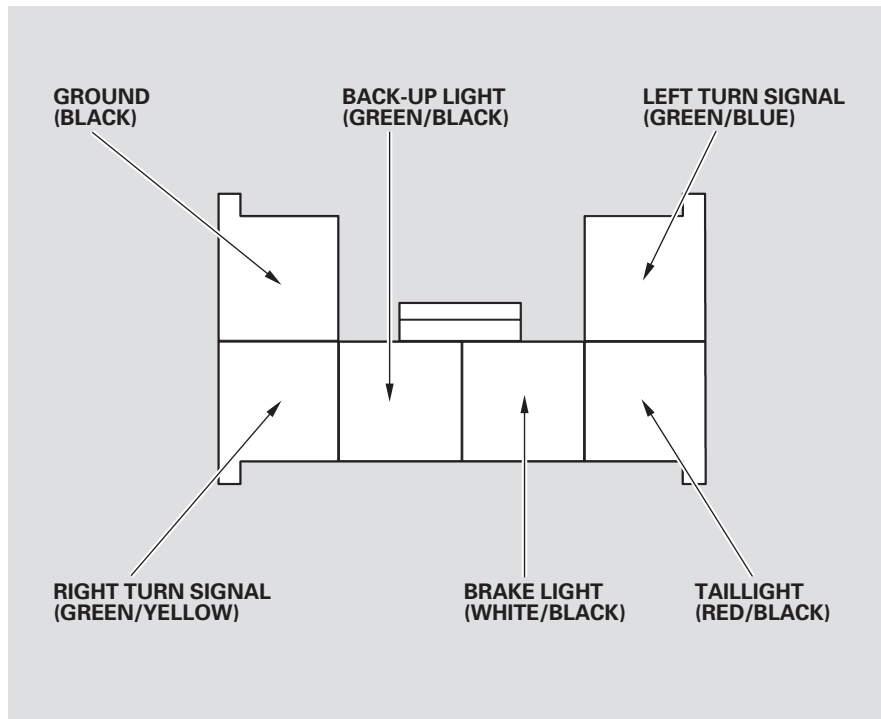
## Towing a Trailer

### *Trailer Lights*

Your car has a trailer lighting connector in the trunk. Refer to the drawing in this page for the wiring color code and purpose of each pin.

If you use a converter, you can get the connector and pins that mate with the connector in your car from your Honda dealer.

Since lighting and wiring vary in trailer type and brand, you should also have a qualified mechanic install a suitable connector between the car and the trailer.



### ***Additional Trailer Equipment***

Many states and Canadian provinces require special outside mirrors when towing a trailer. Even if they don't, you should install special mirrors if you cannot clearly see behind you, or if the trailer creates a blind spot.

Ask your trailer sales or rental agency if any other items are recommended or required for your towing situation.

### **Pre-Tow Checklist**

When preparing to tow, and before driving away, be sure to check the following:

- The car has been properly serviced, and the tires, brakes, suspension, and cooling system are in good operating condition.
  - All weights and loads are within limits (see pages [237](#) and [238](#) ).
  - The hitch, safety chains, and any other attachments are secure.
  - All items on and in the trailer are properly secured and cannot shift while you drive.
  - The lights and brakes on your car and the trailer are working properly.
- Your car tires and spare are properly inflated (see page [303](#) ), and the trailer tires and spare are inflated as recommended by the trailer maker.

## Towing a Trailer

---

### **Driving Safely With a Trailer**

The added weight, length, and height of a trailer will affect your car's handling and performance, so driving with a trailer requires some special driving skills and techniques.

For your safety and the safety of others, take time to practice driving maneuvers before heading for the open road, and follow the guidelines discussed below.

### ***Towing Speeds and Gears***

Drive slower than normal in all driving situations, and obey posted speed limits for cars with trailers. If you have an automatic transmission, use D position when towing a trailer on level roads. D3 is the proper shift lever position to use when towing a trailer in hilly terrain. (See “***Driving on Hills***” in the next column for additional gear information.)

### ***Making Turns and Braking***

Make turns more slowly and wider than normal. The trailer tracks a smaller arc than your car, and it can hit or run over something the car misses. Allow more time and distance for braking. Do not brake or turn suddenly as this could cause the trailer to jackknife or turn over.

### ***Driving on Hills***

When climbing hills, closely watch your temperature gauge. If it nears the red (Hot) mark, turn the air conditioning off, reduce speed and, if necessary, pull to the side of the road to let the engine cool.

If the automatic transmission shifts frequently while going up a hill, shift to D3.

If you must stop when facing uphill, use the foot brake or parking brake. Do not try to hold the car in place by pressing on the accelerator, as this can cause the automatic transmission to overheat.

When driving down hills, reduce your speed and shift down to 2nd gear. Do not “ride” the brakes, and remember it will take longer to slow down and stop when towing a trailer.

### ***Handling Crosswinds and Buffeting***

Crosswinds and air turbulence caused by passing trucks can disrupt your steering and cause trailer swaying. When being passed by a large car, keep a constant speed and steer straight ahead. Do not try to make quick steering or braking corrections.

### ***Backing Up***

Always drive slowly and have someone guide you when backing up. Grip the *bottom* of the steering wheel; then turn the wheel to the left to get the trailer to move to the left, and turn the wheel right to move the trailer to the right.

### ***Parking***

Follow all normal precautions when parking, including firmly setting the parking brake and putting the transmission in Park (automatic) or in 1st or Reverse (manual). Also, place wheel chocks at each of the trailer's tires.



This section explains why it is important to keep your car well maintained and how to follow basic maintenance safety precautions.

This section also includes Maintenance Schedules for normal driving and severe driving conditions, a Maintenance Record, and instructions for simple maintenance tasks you may want to take care of yourself.

If you have the skills and tools to perform more complex maintenance tasks on your Honda, you may want to purchase the Service Manual. See page 381 for information on how to obtain a copy, or see your Honda dealer.

Maintenance Safety.....	246	Hood Latch.....	289
Important Safety Precautions ..	247	Spark Plugs.....	289
Maintenance Schedule.....	248	Replacement.....	289
Required Maintenance Record....	260	Specifications .....	291
Owner Maintenance Checks.....	265	Battery .....	294
Fluid Locations.....	266	Wiper Blades.....	297
Engine Oil.....	268	Air Conditioning System.....	299
Adding Oil.....	268	Dust and Pollen Filter .....	300
Recommended Oil.....	268	Drive Belt.....	302
Synthetic Oil.....	269	Timing Belt.....	302
Additives.....	270	Tires .....	303
Changing the Oil and Filter.....	270	Inflation.....	303
Cooling System .....	272	Inspection .....	305
Adding Engine Coolant.....	272	Maintenance.....	305
Replacing Engine Coolant .....	275	Tire Rotation .....	306
Windshield Washers .....	279	Replacing Tires and Wheels ...	306
Transmission Fluid.....	280	Wheels and Tires.....	307
Automatic		Winter Driving .....	308
Transmission.....	280	Snow Tires.....	308
5-speed Manual		Tire Chains.....	308
Transmission.....	283	Lights .....	310
Brake and Clutch Fluid.....	284	Replacing Bulbs .....	312
Brake System.....	284	Storing Your Car.....	323
Clutch System .....	285		
Power Steering.....	285		
Air Cleaner Element.....	286		



## Maintenance Safety

---

Regularly maintaining your car is the best way to protect your investment. Proper maintenance is essential to your safety and the safety of your passengers. It will also reward you with more economical, trouble-free driving and help reduce air pollution.

### **WARNING**

Improperly maintaining this car or failing to correct a problem before driving can cause a crash in which you can be seriously hurt or killed.

Always follow the inspection and maintenance recommendations and schedules in this owner's manual.

This section includes instructions for simple maintenance tasks, such as checking and adding oil. Any service items not detailed in this section should be performed by a Honda technician or other qualified mechanic.

Some of the most important safety precautions are given here. However, we cannot warn you of every conceivable hazard that can arise in performing maintenance. Only you can decide whether or not you should perform a given task.

### **WARNING**

Failure to properly follow maintenance instructions and precautions can cause you to be seriously hurt or killed.

Always follow the procedures and precautions in this owner's manual.

### **Important Safety Precautions**

Before you begin any maintenance, make sure your car is parked on level ground and that the parking brake is set. Also, be sure the engine is off. This will help to eliminate several potential hazards:

- **Carbon monoxide poisoning from engine exhaust.** Be sure there is adequate ventilation whenever you operate the engine.
- **Burns from hot parts.** Let the engine and exhaust system cool before touching any parts.
- **Injury from moving parts.** Do not run the engine unless instructed to do so.

Read the instructions before you begin, and make sure you have the tools and skills required.

To reduce the possibility of fire or explosion, be careful when working around gasoline or batteries. Use a commercially available degreaser or parts cleaner, not gasoline, to clean parts. Keep cigarettes, sparks, and flames away from the battery and all fuel-related parts.

You should wear eye protection and protective clothing when working near the battery or when using compressed air.

## Maintenance Schedule

---

The Maintenance Schedule specifies how often you should have your car serviced and what things need attention. It is essential that you have your car serviced as scheduled to retain its high level of safety, dependability, and emissions control performance.

The services and time or distance intervals shown in the maintenance schedule assume you will use your car as normal transportation for passengers and their possessions. You should also follow these recommendations:

- Avoid exceeding your car's load limit. This puts excess stress on the engine, brakes, and many other parts of your car. The load limit is shown on the label on the driver's doorjamb.
- Operate your car on reasonable roads within the legal speed limit.
- Drive your car regularly over a distance of several miles (kilometers).
- Always use unleaded gasoline with the proper octane rating (see page [204](#)).

### **Which Schedule to Follow:**

Service your car according to the time and mileage periods on one of the Maintenance Schedules on the following pages.

**U.S. Owners** – Follow the Maintenance Schedule for Severe Conditions if you drive your car **MAINLY** under one or more of the following conditions.

- Driving less than 5 miles (8 km) per trip or, in freezing temperatures, driving less than 10 miles (16 km) per trip.
- Driving in extremely hot [over 90° F (32° C)] conditions.
- Extensive idling or long periods of stop-and-go driving, such as a taxi or a commercial delivery vehicle.

- Trailer towing, driving with a roof rack, or driving in mountainous conditions.
- Driving on muddy, dusty, or deiced roads.

NOTE: If you only *OCCASIONALLY* drive under a “severe” condition, you should follow the Normal Conditions Maintenance Schedule.

**Canadian Owners** — Follow the Maintenance Schedule for Severe Conditions.

Your authorized Honda dealer knows your car best and can provide competent, efficient service. However, service at a dealer is not mandatory to keep your warranties in effect. Maintenance may be done by any qualified service facility or person who is skilled in this type of automotive service. Keep all the receipts as proof of completion, and have the person who does the work fill out the Maintenance Record. Check your warranty booklet for more information.

We recommend the use of genuine Honda parts and fluids whenever you have maintenance done. These are manufactured to the same high-quality standards as the original components, so you can be confident of their performance and durability.

U.S. Cars:

**Maintenance, replacement or repair of emissions control devices and systems may be done by any automotive repair establishment or individual using parts that are “certified” to EPA standards.**

According to state and federal regulations, failure to perform maintenance on the items marked with # will not void your emissions warranties. However, Honda recommends that all maintenance services be performed at the recommended time or mileage period to ensure long-term reliability.

## 4-cylinder Models

Service at the indicated distance or time – whichever comes first.	miles x 1,000	10	20	30	40	50	60	70	80	90	100	110	120	130	140	150	160	170	180	
	km x 1,000	16	32	48	64	80	96	112	128	144	160	176	192	208	224	240	256	272	288	
	months	12		24		36			48			60		72		84		96		108
Replace engine oil	Every 10,000 miles (16,000 km) or 1 year																			
Replace engine oil filter		•		•		•		•		•		•		•		•		•		•
Check engine oil and coolant	Check oil and coolant at each fuel stop																			
Replace air cleaner element	Every 30,000 miles (48,000 km)																			
Inspect valve clearance	Inspect every 110,000 miles (176,000 km), otherwise adjust only if noisy																			
Replace spark plugs	Every 110,000 miles (176,000 km)																			
Inspect drive belt	Inspect every 30,000 miles (48,000 km) or 2 years																			
Inspect idle speed																			•	
Replace engine coolant	At 120,000 miles (192,000 km) or 10 years, then every 60,000 miles (96,000 km) or 5 years																			
Replace transmission fluid	M/T												•							
	A/T												•*							
Inspect front and rear brakes		•		•		•		•		•		•		•		•		•		•
Replace brake fluid	Every 3 years (independent of mileage)																			
Check parking brake adjustment		•		•		•		•		•		•		•		•		•		•
Replace dust and pollen filter	Every 30,000 miles (48,000 km) or 2 years																			
Rotate tires (Check tire inflation and condition at least once per month)	Rotate tires every 10,000 miles (16,000 km)																			
<b>Visually inspect the following items:</b>																				
Tie rod ends, steering gear box, and boots																				
Suspension components																				
Driveshaft boots																				
Brake hoses and lines (including ABS)		•		•		•		•		•		•		•		•		•		•
All fluid levels and condition of fluids																				
Exhaust system <sup>†</sup>																				
Fuel lines and connections <sup>‡</sup>																				

‡ : See information on maintenance and emissions warranty, last column, page 249.

\* : Replace at 120,000 miles (192,000 km) or 6 years, then every 90,000 miles (144,000 km) or 5 years.

## 4-cylinder Models

Service at the indicated distance or time, whichever comes first. Do the items in **A, B, C, D, E** as required for each distance/time.

**U.S. Owners** — Refer to page 248 to determine which schedule to use.

**Canadian Owners** — Use the Maintenance Schedule for Severe Conditions.

10,000 mi/16,000 km	Do items in A.
20,000 mi/32,000 km/1 yr	Do items in A, B.
30,000 mi/48,000 km	Do items in A, C.
40,000 mi/64,000 km/2 yrs	Do items in A, B.
50,000 mi/80,000 km	Do items in A.
3 yrs	<input type="checkbox"/> Replace brake fluid (independent of mileage).
60,000 mi/96,000 km/3 yrs	Do items in A, B, C.
70,000 mi/112,000 km	Do items in A.
80,000 mi/128,000 km/4 yrs	Do items in A, B.
90,000 mi/144,000 km	Do items in A, C.
100,000 mi/160,000 km/5 yrs	Do items in A, B.
110,000 mi/176,000 km	Do items in A, D.
6 yrs	<input type="checkbox"/> Replace brake fluid (independent of mileage).
120,000 mi/192,000 km/6 yrs	Do items in A, B, C.
120,000 mi/192,000 km/10 yrs, then replace every 60,000mi/ 96,000 km/5 yrs	<input type="checkbox"/> Replace engine coolant.
Every 120,000 mi/192,000 km/6 yrs	<input type="checkbox"/> Replace manual transmission fluid.
120,000 mi/192,000 km/6 yrs then replace every 90,000mi/ 144,000 km/5 yrs	<input type="checkbox"/> Replace automatic transmission fluid.
130,000 mi/208,000 km	Do items in A.
140,000 mi/224,000 km/7 yrs	Do items in A, B.
150,000 mi/240,000 km	Do items in A, C.
160,000 mi/256,000 km/8 yrs	Do items in A, B, E.
170,000 mi/272,000 km	Do items in A.
9 yrs	<input type="checkbox"/> Replace brake fluid (independent of mileage).
180,000 mi/288,000 km, then replace every 60,000 mi/ 96,000 km/5 yrs	<input type="checkbox"/> Replace engine coolant.
180,000 mi/288,000 km/9 yrs	Do items in A, B, C.

- |          |   |
|----------|---|
| <b>A</b> | <input type="checkbox"/> Replace engine oil.<br><input type="checkbox"/> Rotate tires (follow pattern on page 306).   |
| <b>B</b> | <input type="checkbox"/> Replace engine oil filter.<br><input type="checkbox"/> Inspect front and rear brakes.<br><input type="checkbox"/> Check parking brake adjustment.<br><input type="checkbox"/> Inspect tie rod ends, steering gear box and boots.<br><input type="checkbox"/> Inspect suspension components.<br><input type="checkbox"/> Inspect driveshaft boots.<br><input type="checkbox"/> Inspect brake hoses and lines (including ABS).<br><input type="checkbox"/> Check all fluid levels, condition of fluids, and check for leaks.<br><input type="checkbox"/> * Inspect exhaust system.<br><input type="checkbox"/> * Inspect fuel lines and connections. |
| <b>C</b> | <input type="checkbox"/> Inspect drive belt.<br><input type="checkbox"/> Replace air cleaner element.<br><input type="checkbox"/> Replace dust and pollen filter.   |
| <b>D</b> | <input type="checkbox"/> Inspect valve clearance.<br><input type="checkbox"/> Replace spark plugs.  |
| <b>E</b> | <input type="checkbox"/> Inspect idle speed.  |

# : See information on maintenance and emissions warranty, last column, page 249.

### NOTE:

- Check engine oil and coolant at each fuel stop.
- Check and adjust valve clearance, cold engine, only if noisy.

## 4-cylinder Models

Service at the indicated distance or time – whichever comes first.	miles x 1,000	10	20	30	40	50	60	70	80	90	100	110	120	130	140	150	160	170	180	
	km x 1,000	16	32	48	64	80	96	112	128	144	160	176	192	208	224	240	256	272	288	
	months		12		24		36		48		60		72		84		96		108	
Replace engine oil	Every 5,000 miles (8,000 km) or 6 months																			
Replace engine oil filter	Every 10,000 miles (16,000 km) or 1 year																			
Check engine oil and coolant	Check oil and coolant at each fuel stop																			
Replace air cleaner element	Every 15,000 miles (24,000 km) (Use normal schedule except in dusty conditions)																			
Inspect valve clearance	Inspect every 110,000 miles (176,000 km), otherwise adjust only if noisy																			
Replace spark plugs	Every 110,000 miles (176,000 km)																			
Inspect drive belt	Inspect every 30,000 miles (48,000 km) or 2 years																			
Inspect idle speed																			•	
Replace engine coolant	At 120,000 miles (192,000 km) or 10 years, then every 60,000 miles (96,000 km) or 5 years																			
Replace transmission fluid	M/T						•							•						•
	A/T	At 60,000 miles (96,000 km) or 3 years, then every 30,000 miles (48,000 km) or 2 years																		
Inspect front and rear brakes	Inspect every 10,000 miles (16,000 km) or 1 year																			
Replace brake fluid	Every 3 years (independent of mileage)																			
Check parking brake adjustment		•			•			•			•			•			•			•
Replace dust and pollen filter*	Every 30,000 miles (48,000 km) or 2 years																			
Lubricate all hinges, locks, and latches	Lubricate every 10,000 miles (16,000 km) or 1 year																			
Rotate tires (Check tire inflation and condition at least once per month)	Rotate tires every 10,000 miles (16,000 km)																			
<b>Visually inspect the following items:</b>																				
Tie rod ends, steering gear box, and boots	Inspect every 10,000 miles (16,000 km) or 1 year																			
Suspension components																				
Driveshaft boots																				
Brake hoses and lines (including ABS)																				
All fluid levels and condition of fluids																				
Exhaust system <sup>†</sup>		•			•				•					•					•	
Fuel lines and connections <sup>†</sup>																				
Lights and controls, vehicle underbody																				

# : See information on maintenance and emissions warranty, last column, page 249.

\* : See dust and pollen filter on page 300 for replacement information under special driving conditions.

Service at the indicated distance or time, whichever comes first. Do the items in **A, B, C, D, E, F, G, H** as required for each distance/time interval.

**U.S. Owners** — Refer to page 248 to determine which schedule to use.

**Canadian Owners** — Use the Maintenance Schedule for Severe Conditions.

5,000 mi/8,000 km	Do item in A.
10,000 mi/16,000 km	Do items in A, B.
15,000 mi/24,000 km	Do items in A, C.
20,000 mi/32,000 km/1 yr	Do items in A, B, D.
25,000 mi/40,000 km	Do item in A.
30,000 mi/48,000 km	Do items in A, B, C, E.
35,000 mi/56,000 km	Do item in A.
40,000 mi/64,000 km/2 yrs	Do items in A, B, D.
45,000 mi/72,000 km	Do items in A, C.
50,000 mi/80,000 km	Do items in A, B.
55,000 mi/88,000 km	Do item in A.
3 yrs	<input type="checkbox"/> Replace brake fluid (independent of mileage).
60,000 mi/96,000 km/3 yrs	Do items in A, B, C, D, E, F.
60,000 mi/96,000 km/3 yrs, then replace every 30,000mi/ 48,000 km/2yrs	<input type="checkbox"/> Replace automatic transmission fluid.
65,000 mi/104,000 km	Do item in A.
70,000 mi/112,000 km	Do items in A, B.
75,000 mi/120,000 km	Do items in A, C.
80,000 mi/128,000 km/4 yrs	Do items in A, B, D.
85,000 mi/136,000 km	Do item in A.
90,000 mi/144,000 km	Do items in A, B, C, E.
90,000 mi/144,000 km, then replace every 30,000 mi/ 48,000 km/2 yrs	<input type="checkbox"/> Replace automatic transmission fluid.
95,000 mi/152,000 km	Do item in A.
100,000 mi/160,000 km/5 yrs	Do items in A, B, D.
105,000 mi/168,000 km	Do items in A, C.
110,000 mi/176,000 km	Do items in A, B, G.
115,000 mi/184,000 km	Do item in A.
6 yrs	<input type="checkbox"/> Replace brake fluid (independent of mileage).
120,000 mi/192,000 km/6 yrs	Do items in A, B, C, D, E, F.

<b>A</b>	<input type="checkbox"/> Replace engine oil.
<b>B</b>	<input type="checkbox"/> Replace engine oil filter. <input type="checkbox"/> Inspect front and rear brakes. <input type="checkbox"/> Lubricate all hinges, locks, and latches. <input type="checkbox"/> Rotate tires (follow pattern on page 306). <input type="checkbox"/> Inspect tie rod ends, steering gear box, and boots. <input type="checkbox"/> Inspect suspension components. <input type="checkbox"/> Inspect drive shaft boots.
<b>C</b>	<input type="checkbox"/> Replace air cleaner element.
<b>D</b>	<input type="checkbox"/> Check parking brake adjustment. <input type="checkbox"/> Inspect brake hoses and lines (including ABS). <input type="checkbox"/> # Inspect exhaust system. <input type="checkbox"/> # Inspect fuel lines and connections. <input type="checkbox"/> Check all lights. <input type="checkbox"/> Inspect the underbody.
<b>E</b>	<input type="checkbox"/> Inspect drive belt. <input type="checkbox"/> Replace dust and pollen filter*.
<b>F</b>	<input type="checkbox"/> Replace transmission fluid (M/T).
<b>G</b>	<input type="checkbox"/> Inspect valve clearance. <input type="checkbox"/> Replace spark plugs.
<b>H</b>	<input type="checkbox"/> Inspect idle speed.

# : See information on maintenance and emissions warranty, last column, page 249.

\* : See dust and pollen filter on page 300 for replacement information under special driving conditions.



## 4-cylinder Models

120,000 mi/192,000 km, then replace every 30,000 mi/48,000 km/2 yrs	<input type="checkbox"/> Replace automatic transmission fluid.
120,000 mi/192,000 km/10 yrs, then replace every 60,000mi/96,000 km/5 yrs	<input type="checkbox"/> Replace engine coolant.
125,000 mi/200,000 km	Do item in A.
130,000 mi/208,000 km	Do items in A, B.
135,000 mi/216,000 km	Do items in A, C.
140,000 mi/224,000 km/7 yrs	Do items in A, B, D.
145,000 mi/232,000 km	Do item in A.
150,000 mi/240,000 km	Do item in A, B, C, E.
150,000 mi/240,000 km, then replace 30,000 mi/48,000 km/2 yrs	<input type="checkbox"/> Replace automatic transmission fluid.
155,000 mi/248,000 km	Do item in A.
160,000 mi/256,000 km/8 yrs	Do items in A, B, D, H.
165,000 mi/264,000 km	Do items in A, C.
170,000 mi/272,000 km	Do items in A, B.
175,000 mi/280,000 km	Do item in A.
9 yrs	<input type="checkbox"/> Replace brake fluid (independent of mileage).
180,000 mi/288,000 km/9 yrs	Do items in A, B, C, D, E, F.
180,000 mi/288,000 km, then replace every 30,000 mi/48,000 km/2 yrs	<input type="checkbox"/> Replace automatic transmission fluid.
180,000 mi/288,000 km, then replace every 60,000 mi/96,000 km/5 yrs	<input type="checkbox"/> Replace engine coolant.

### NOTE:

- Check engine oil and coolant at each fuel stop.
- Check and adjust valve clearance, cold engine, only if noisy.

## 6-cylinder Models

Service at the indicated distance or time – whichever comes first.	miles x 1,000	15	30	45	60	75	90	105	120
	km x 1,000	24	48	72	96	120	144	168	192
	months	12	24	36	48	60	72	84	96
Replace engine oil	Every 7,500 miles (12,000 km) or 1 year								
Replace engine oil filter	●	●	●	●	●	●	●	●	●
Check engine oil and coolant	Check oil and coolant at each fuel stop								
Replace air cleaner element	Every 30,000 miles (48,000 km)								
Inspect valve clearance	Inspect every 105,000 miles (168,000 km), otherwise adjust only if noisy								
Replace spark plugs	Every 105,000 miles (168,000 km)								
Replace timing belt and inspect water pump								●	
Inspect drive belt		●		●		●			●
Replace engine coolant	At 120,000 miles (192,000 km) or 10 years, then every 60,000 miles (96,000 km) or 5 years								
Replace transmission fluid	A/T	Replace at 120,000 miles (192,000 km) or 6 years, then every 90,000 miles (144,000 km) or 5 years							
Inspect front and rear brakes	●	●	●	●	●	●	●	●	●
Replace brake fluid	Every 3 years (independent of mileage)								
Check parking brake adjustment	●	●	●	●	●	●	●	●	●
Replace dust and pollen filter		●		●		●		●	●
Rotate tires (Check tire inflation and condition at least once per month)	Rotate tires every 7,500 miles (12,000 km)								
<b>Visually inspect the following items:</b>									
Tie rod ends, steering gear box, and boots									
Suspension components									
Driveshaft boots									
Brake hoses and lines (including ABS)	●	●	●	●	●	●	●	●	●
All fluid levels and condition of fluids									
Exhaust system <sup>‡</sup>									
Fuel lines and connections <sup>‡</sup>									

# : See information on maintenance and emissions warranty, last column, page 249.

## 6-cylinder Models

Service at the indicated distance or time, whichever comes first. Do the items in **A, B, C, D** as required for each distance/time.

**U.S. Owners** — Refer to page 248 to determine which schedule to use.

**Canadian Owners** — Use the Maintenance Schedule for Severe Conditions.

7,500 mi/12,000 km	Do items in A.
15,000 mi/24,000 km/1 yr	Do items in A, B.
22,500 mi/36,000 km	Do items in A.
30,000 mi/48,000 km/2 yrs	Do items in A, B, C.
37,500 mi/60,000 km	Do items in A.
3 yrs	<input type="checkbox"/> Replace brake fluid (independent of mileage).
45,000 mi/72,000 km/3 yrs	Do items in A, B.
52,500 mi/84,000 km	Do items in A.
60,000 mi/96,000 km/4 yrs	Do items in A, B, C.
67,500 mi/108,000 km	Do items in A.
75,000 mi/120,000 km/5 yrs	Do items in A, B.
82,500 mi/132,000 km	Do items in A.
6 yrs	<input type="checkbox"/> Replace brake fluid (independent of mileage).
90,000 mi/144,000 km/6 yrs	Do items in A, B, C.
97,500 mi/156,000 km	Do items in A.
105,000 mi/168,000 km/7 yrs	Do items in A, B, D.
112,500 mi/180,000 km	Do items in A.
120,000 mi/192,000 km/8 yrs	Do items in A, B, C.
120,000 mi/192,000 km/10 yrs, then replace every 60,000mi/ 96,000 km/5 yrs	<input type="checkbox"/> Replace engine coolant.
120,000 mi/192,000 km/6 yrs, then replace every 90,000mi/ 144,000 km/5 yrs	<input type="checkbox"/> Replace automatic transmission fluid.

<b>A</b>	<input type="checkbox"/> Replace engine oil. <input type="checkbox"/> Rotate tires (follow pattern on page 306).
<b>B</b>	<input type="checkbox"/> Replace engine oil filter. <input type="checkbox"/> Inspect front and rear brakes. <input type="checkbox"/> Check parking brake adjustment. <input type="checkbox"/> Inspect tie rod ends, steering gear box, and boots. <input type="checkbox"/> Inspect suspension components. <input type="checkbox"/> Inspect driveshaft boots. <input type="checkbox"/> Inspect brake hoses and lines (including ABS). <input type="checkbox"/> Check all fluid levels, condition of fluids, and check for leaks. <input type="checkbox"/> # Inspect exhaust system. <input type="checkbox"/> # Inspect fuel lines and connections.
<b>C</b>	<input type="checkbox"/> Inspect drive belt. <input type="checkbox"/> Replace air cleaner element. <input type="checkbox"/> Replace dust and pollen filter.
<b>D</b>	<input type="checkbox"/> Inspect valve clearance. <input type="checkbox"/> Replace spark plugs. <input type="checkbox"/> Replace timing belt and inspect water pump.

# : See information on maintenance and emissions warranty, last column, page 249.

**NOTE:**

- Check engine oil and coolant at each fuel stop.
- Check and adjust valve clearance, cold engine, only if noisy.

## 6-cylinder Models

Service at the indicated distance or time – whichever comes first.	miles x 1,000	15	30	45	60	75	90	105	120
	km x 1,000	24	48	72	96	120	144	168	192
	months	12	24	36	48	60	72	84	96
Replace engine oil, and oil filter	Every 3,750 miles (6,000 km) or 6 months								
Check engine oil and coolant	Check oil and coolant at each fuel stop								
Replace air cleaner element	Every 15,000 miles (24,000 km) (Use normal schedule except in dusty conditions)								
Inspect valve clearance	Inspect every 105,000 miles (168,000 km), otherwise adjust only if noisy								
Replace spark plugs								•	
Replace timing belt* <sup>1</sup> and inspect water pump								•	
Inspect drive belt		•			•		•		•
Replace engine coolant	At 120,000 miles (192,000 km) or 10 years, then every 60,000 miles (96,000 km) or 5 years								
Replace transmission fluid	A/T				•		•		•
Inspect front and rear brakes	Every 7,500 miles (12,000 km) or 6 months								
Replace brake fluid	Every 3 years (independent of mileage)								
Check parking brake adjustment	•	•	•	•	•	•	•	•	•
Replace dust and pollen filter** <sup>2</sup>		•		•		•		•	
Lubricate all hinges, locks and latches	•	•	•	•	•	•	•	•	•
Rotate tires (Check tire inflation and condition at least once per month)	Rotate tires every 7,500 miles (12,000 km)								
<b>Visually inspect the following items:</b>									
Tie rod ends, steering gear box, and boots Suspension components Driveshaft boots	Every 7,500 miles (12,000 km) or 6 months								
Brake hoses and lines (including ABS) All fluid levels and condition of fluids Exhaust system <sup>‡</sup> Fuel lines and connections <sup>‡</sup> Lights and controls, vehicle underbody	•	•	•	•	•	•	•	•	•

• : See information on maintenance and emissions warranty, last column, page 249.

\* 1: See timing belt on page 302 for replacement information under special driving conditions.

\* 2: See dust and pollen filter on page 300 for replacement information under special driving conditions.

## 6-cylinder Models

Service at the indicated distance or time, whichever comes first. Do the items in **A, B, C, D, E** as required for each distance/time interval.

**U.S. Owners** — Refer to page [248](#) to determine which schedule to use.

**Canadian Owners** — Use the Maintenance Schedule for Severe Conditions.

3,750 mi/6,000 km	Do item in A.
7,500 mi/12,000 km	Do items in A, E.
11,250 mi/18,000 km	Do item in A.
15,000 mi/24,000 km/1 yr	Do items in A, B, E.
18,750 mi/30,000 km	Do item in A.
22,500 mi/36,000 km	Do items in A, E.
26,250 mi/42,000 km	Do item in A.
30,000 mi/48,000 km/2 yrs	Do items in A, B, D, E.
33,750 mi/54,000 km	Do item in A.
37,500 mi/60,000 km	Do items in A, E.
41,250 mi/66,000 km	Do item in A.
3 yrs	<input type="checkbox"/> Replace brake fluid (independent of mileage).
45,000 mi/72,000 km/3 yrs	Do items in A, B, E.
48,750 mi/78,000 km	Do item in A.
52,500 mi/84,000 km	Do items in A, E.
56,250 mi/90,000 km	Do item in A.
60,000 mi/96,000 km/4 yrs	Do items in A, B, D, E.
60,000 mi/96,000 km/4 yrs, then replace every 30,000mi/ 48,000 km/2 yrs	<input type="checkbox"/> Replace automatic transmission fluid.
63,750 mi/102,000 km	Do item in A.
67,500 mi/108,000 km	Do items in A, E.
71,250 mi/114,000 km	Do item in A.
75,000 mi/120,000 km/5 yrs	Do items in A, B, E.
78,750 mi/126,000 km	Do item in A.

<b>A</b>	<input type="checkbox"/> Replace engine oil and oil filter.
<b>B</b>	<input type="checkbox"/> Replace air cleaner element. <input type="checkbox"/> Lubricate all hinges, locks, and latches. <input type="checkbox"/> Check parking brake adjustment. <input type="checkbox"/> Inspect brake hoses and lines (including ABS). <input type="checkbox"/> Check all fluid levels, condition of fluids, and check for leaks. <input type="checkbox"/> Inspect exhaust system. <input type="checkbox"/> Inspect fuel lines and connections. <input type="checkbox"/> Check all lights. <input type="checkbox"/> Inspect the underbody.
<b>C</b>	<input type="checkbox"/> Replace spark plugs. <input type="checkbox"/> Inspect valve clearance. <input type="checkbox"/> Replace timing belt* <sup>1</sup> and inspect water pump.
<b>D</b>	<input type="checkbox"/> Inspect drive belt. <input type="checkbox"/> Replace dust and pollen filter* <sup>2</sup> .
<b>E</b>	<input type="checkbox"/> Inspect front and rear brakes. <input type="checkbox"/> Rotate tires (follow pattern on page <a href="#">306</a> ). <input type="checkbox"/> Inspect tie rod ends, steering gear box, and boots. <input type="checkbox"/> Inspect suspension components. <input type="checkbox"/> Inspect drive shaft boots.

# : See information on maintenance and emissions warranty, last column, page [249](#).

\* 1: See timing belt on page [302](#) for replacement information under special driving conditions.

\* 2: See dust and pollen filter on page [300](#) for replacement information under special driving conditions.

### NOTE:

- Check engine oil and coolant at each fuel stop.
- Check and adjust valve clearance, cold engine, only if noisy.

## 6-cylinder Models

82,500 mi/132,000 km	Do items in A, E.
86,250 mi/138,000 km	Do items in A.
6 yrs	<input type="checkbox"/> Replace brake fluid (independent of mileage).
90,000 mi/144,000 km, then replace every 30,000 mi/ 48,000 km/2 yrs	<input type="checkbox"/> Replace automatic transmission fluid.
90,000 mi/144,000 km/6 yrs	Do items in A, B, D, E.
93,750 mi/150,000 km	Do items in A.
97,500 mi/156,000 km	Do items in A, E.
101,250 mi/162,000 km	Do items in A.
105,000 mi/168,000 km/7 yrs	Do items in A, B, C, E.
108,750 mi/174,000 km	Do items in A.
112,500 mi/180,000 km	Do items in A, E.
116,250 mi/186,000 km	Do items in A.
120,000 mi/192,000 km/10 yrs, then replace every 60,000mi/ 96,000 km/5 yrs	<input type="checkbox"/> Replace engine coolant.
120,000 mi/192,000 km, then replace every 30,000 mi/ 48,000 km/2 yrs	<input type="checkbox"/> Replace automatic transmission fluid.
120,000 mi/192,000 km/8 yrs	Do items in A, B, D, E.

### NOTE:

- Check engine oil and coolant at each fuel stop.
- Check and adjust valve clearance, cold engine, only if noisy.

## Required Maintenance Record (for Normal and Severe Schedules)

You or the servicing dealer can record all completed maintenance here, whether you follow the schedule for normal conditions (pages 250, 255) or severe conditions (pages 252, 257). Keep the receipts for all work done on your car.

<b>3,750 mi</b> 6,000 km	Signature or dealer stamp	mi/km
		Date
<b>5,000 mi</b> 8,000 km		mi/km
		Date
<b>7,500 mi</b> 12,000 km		mi/km
		Date
<b>10,000 mi</b> 16,000 km		mi/km
		Date
<b>11,250 mi</b> 18,000 km		mi/km
		Date
<b>15,000 mi</b> 24,000 km		mi/km
		Date
<b>18,750 mi</b> 30,000 km		mi/km
		Date
<b>20,000 mi</b> 32,000 km		mi/km
		Date

<b>22,250 mi</b> 36,000 km	Signature or dealer stamp	mi/km
		Date
<b>25,000 mi</b> 40,000 km		mi/km
		Date
<b>26,250 mi</b> 42,000 km		mi/km
		Date
<b>30,000 mi</b> 48,000 km		mi/km
		Date
<b>33,750 mi</b> 54,000 km		mi/km
		Date
<b>35,000 mi</b> 56,000 km		mi/km
		Date
<b>37,500 mi</b> 60,000 km		mi/km
		Date
<b>40,000 mi</b> 64,000 km		mi/km
		Date

## Required Maintenance Record (for Normal and Severe Schedules)

<b>41,250 mi</b> 66,000 km	Signature or dealer stamp	mi/km
		Date
<b>45,000 mi</b> 72,000 km		mi/km
		Date
<b>48,750 mi</b> 78,000 km		mi/km
		Date
<b>50,000 mi</b> 80,000 km		mi/km
		Date
<b>52,500 mi</b> 84,000 km		mi/km
		Date
<b>55,000 mi</b> 88,000 km		mi/km
		Date
<b>56,250 mi</b> 90,000 km		mi/km
		Date
<b>60,000 mi</b> 96,000 km		mi/km
		Date

<b>63,750 mi</b> 102,000 km	Signature or dealer stamp	mi/km
		Date
<b>65,000 mi</b> 104,000 km		mi/km
		Date
<b>67,500 mi</b> 108,000 km		mi/km
		Date
<b>70,000 mi</b> 112,000 km		mi/km
		Date
<b>71,250 mi</b> 114,000 km		mi/km
		Date
<b>75,000 mi</b> 120,000 km		mi/km
		Date
<b>78,750 mi</b> 126,000 km		mi/km
		Date
<b>80,000 mi</b> 128,000 km		mi/km
		Date



## Required Maintenance Record (for Normal and Severe Schedules)

---

<b>82,500 mi</b> 132,000 km	Signature or dealer stamp	mi/km
		Date
<b>85,000 mi</b> 136,000 km		mi/km
		Date
<b>86,250 mi</b> 138,000 km		mi/km
		Date
<b>90,000 mi</b> 144,000 km		mi/km
		Date
<b>93,750 mi</b> 150,000 km		mi/km
		Date
<b>95,000 mi</b> 152,000 km		mi/km
		Date
<b>97,500 mi</b> 156,000 km		mi/km
		Date
<b>100,000 mi</b> 166,000 km		mi/km
		Date

<b>101,250 mi</b> 162,000 km	Signature or dealer stamp	mi/km
		Date
<b>105,000 mi</b> 168,000 km		mi/km
		Date
<b>108,750 mi</b> 174,000 km		mi/km
		Date
<b>110,000 mi</b> 176,000 km		mi/km
		Date
<b>112,500 mi</b> 180,000 km		mi/km
		Date
<b>115,000 mi</b> 184,000 km		mi/km
		Date
<b>116,250 mi</b> 186,000 km		mi/km
		Date
<b>120,000 mi</b> 192,000 km		mi/km
		Date

## Required Maintenance Record (for Normal and Severe Schedules)

<b>123,750 mi</b> 198,000 km	Signature or dealer stamp	mi/km
		Date
<b>125,000 mi</b> 200,000 km		mi/km
		Date
<b>127,500 mi</b> 204,000 km		mi/km
		Date
<b>130,000 mi</b> 208,000 km		mi/km
		Date
<b>131,250 mi</b> 210,000 km		mi/km
		Date
<b>135,000 mi</b> 216,000 km		mi/km
		Date
<b>138,750 mi</b> 222,000 km		mi/km
		Date
<b>140,000 mi</b> 224,000 km		mi/km
		Date

<b>142,500 mi</b> 228,000 km	Signature or dealer stamp	mi/km
		Date
<b>145,000 mi</b> 232,000 km		mi/km
		Date
<b>146,250 mi</b> 234,000 km		mi/km
		Date
<b>150,000 mi</b> 240,000 km		mi/km
		Date
<b>153,750 mi</b> 246,000 km		mi/km
		Date
<b>155,000 mi</b> 248,000 km		mi/km
		Date
<b>157,500 mi</b> 252,000 km		mi/km
		Date
<b>160,000 mi</b> 256,000 km		mi/km
		Date

## Required Maintenance Record (for Normal and Severe Schedules)

---

<b>161,250 mi</b> 258,000 km	Signature or dealer stamp	mi/km
		Date
<b>165,000 mi</b> 264,000 km		mi/km
		Date
<b>168,750 mi</b> 270,000 km		mi/km
		Date
<b>170,000 mi</b> 272,000 km		mi/km
		Date
<b>172,500 mi</b> 276,000 km		mi/km
		Date
<b>175,000 mi</b> 280,000 km		mi/km
		Date
<b>176,250 mi</b> 282,000 km		mi/km
		Date
<b>180,000 mi</b> 288,000 km		mi/km
		Date

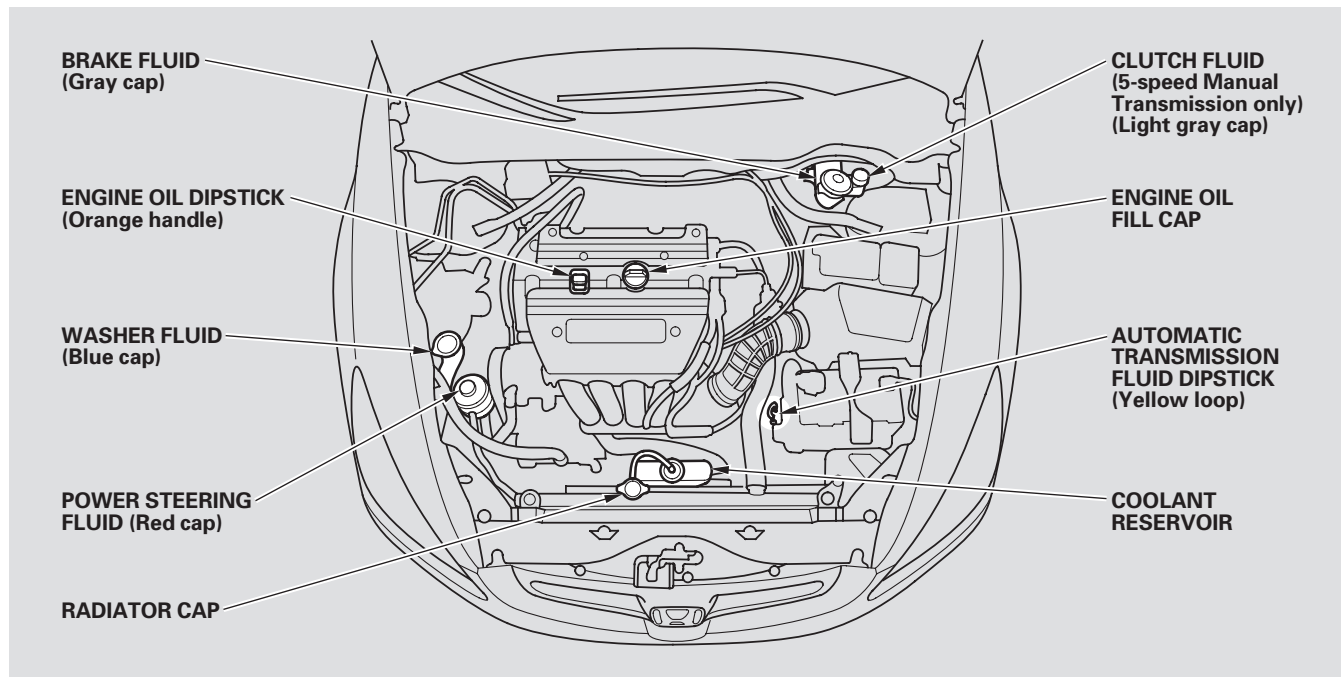
You should check the following items at the specified intervals. If you are unsure of how to perform any check, turn to the page given.

- Engine oil level — Check every time you fill the fuel tank. See page [208](#) .
  - Engine coolant level — Check the radiator reserve tank every time you fill the fuel tank. See page [210](#) .
  - Windshield washer fluid — Check the level in the reservoir monthly. If weather conditions cause you to use the washers frequently, check the reservoir each time you stop for fuel. See page [279](#) .
  - Automatic transmission — Check the fluid level monthly. See pages [280](#) and [281](#) .
  - Brakes — Check the fluid level monthly. See page [284](#) .
- Tires — Check the tire pressure monthly. Examine the tread for wear and foreign objects. See page [303](#) .
  - Lights — Check the operation of the headlights, parking lights, taillights, high-mount brake light, turn signals, brake lights, and license plate light monthly. See page [310](#) .

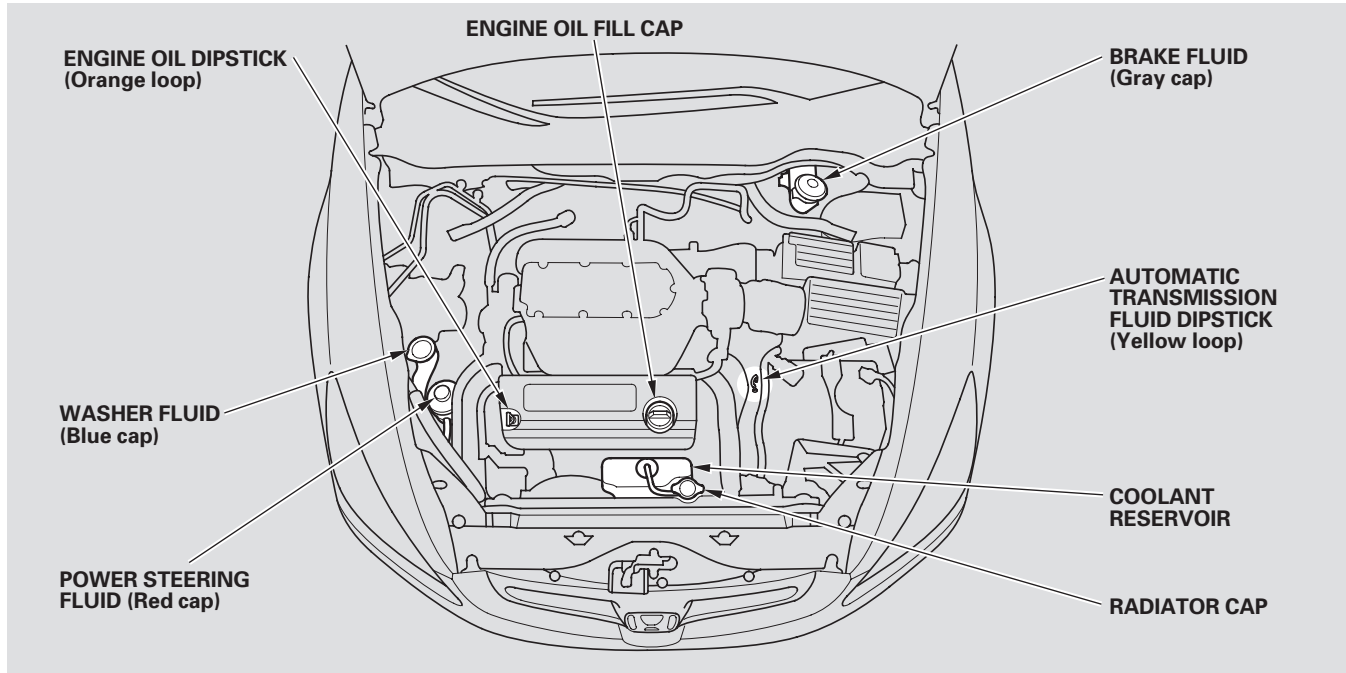
# Fluid Locations

---

## 4-cylinder Models

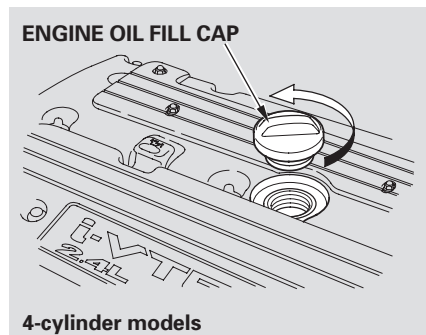


## 6-cylinder Models

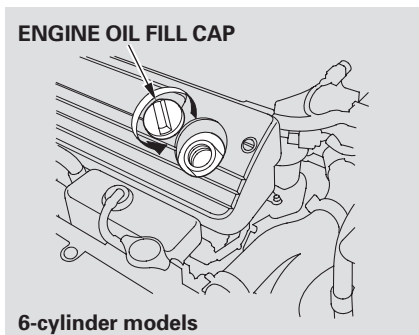


# Engine Oil

## Adding Oil



To add oil, unscrew and remove the engine oil fill cap on top of the valve cover. Pour in the oil, and install the engine oil fill cap. Tighten it securely. Wait a few minutes and recheck the oil level. Do not fill above the upper mark; you could damage the engine.



Pour the oil slowly and carefully so you do not spill. Clean up any spills immediately. Spilled oil could damage components in the engine compartment.

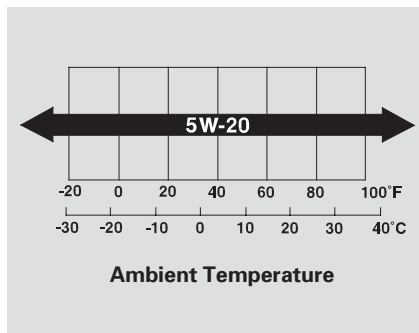
## Recommended Oil

Oil is major contributor to your engine's performance and longevity. Always use a premium-grade detergent oil displaying the API Certification Seal. This seal indicates the oil is energy conserving, and that it meets the American Petroleum Institute's latest requirements. It is highly recommended that you use Honda Motor Oil in your car for as long as you own it.

Make sure the API Certification Seal says “For Gasoline Engines.”



The oil's viscosity or weight is provided on the container's label. Select the oil for your car according to this chart.



5W-20 oil is formulated for year-round protection of your Honda, to improve cold weather starting, and to help your engine use less fuel.

### Synthetic Oil

You may use a synthetic motor oil if it meets the same requirements given for a conventional motor oil: it displays the API Certification Seal, and it is the proper weight as shown on the chart. When using synthetic oil, you must follow the oil and filter change intervals given in the maintenance schedule.



# Engine Oil

---

## Additives

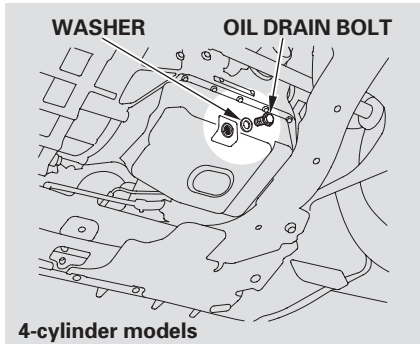
Your Honda does not require any oil additives. Additives may adversely affect your engine's or transmission's performance and durability.

## Changing the Oil and Filter

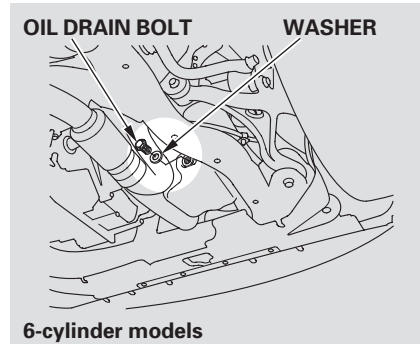
Always change the oil and filter according to the time and distance (miles/kilometers) recommendations in the maintenance schedule. The oil and filter collect contaminants that can damage your engine if they are not removed regularly.

Changing the oil and filter requires special tools and access from underneath the car. The car should be raised on a service station-type hydraulic lift for this service. Unless you have the knowledge and proper equipment, you should have this maintenance done by a skilled mechanic.

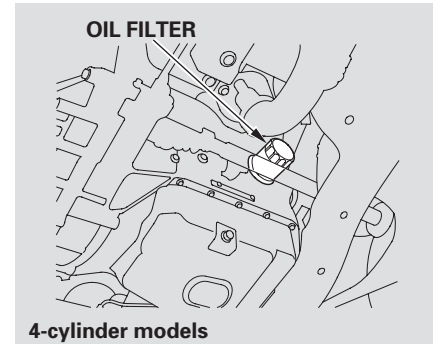
1. Run the engine until it reaches normal operating temperature, then shut it off.



2. Open the hood and remove the engine oil fill cap. Remove the oil drain bolt and washer from the bottom of the engine. Drain the oil into an appropriate container.



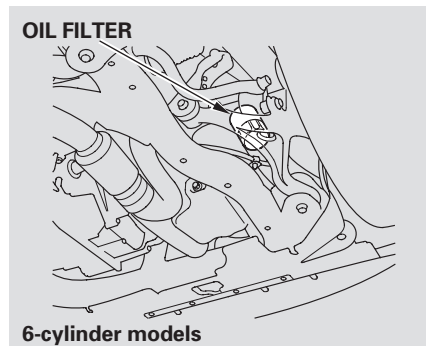
3. Remove the oil filter and let the remaining oil drain. A special wrench (available from your Honda dealer) is required to remove the filter.



4. Install a new oil filter according to instructions that come with it.
5. Put a new washer on the drain bolt, then reinstall the drain bolt. Tighten it to:  
(4-cylinder models)  
33 lbf·ft (45 N·m , 4.6 kgf·m)  
(6-cylinder models)  
29 lbf·ft (39 N·m , 4.0 kgf·m)

*CONTINUED*

## Engine Oil, Cooling System



6. Refill the engine with the recommended oil.

Engine oil change capacity  
(including filter):

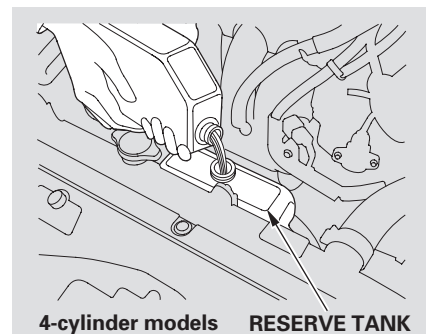
- (4-cylinder models)  
4.4 US qt (4.2 l)
- (6-cylinder models)  
4.5 US qt (4.3 l)

7. Replace the engine oil fill cap. Start the engine. The oil pressure indicator light should go out within five seconds. If it does not, turn off the engine and reinspect your work.
8. Let the engine run for several minutes, then check the drain bolt and oil filter for leaks.
9. Turn off the engine, let it sit for several minutes, then check the oil level. If necessary, add oil to bring the level to the upper mark on the dipstick.

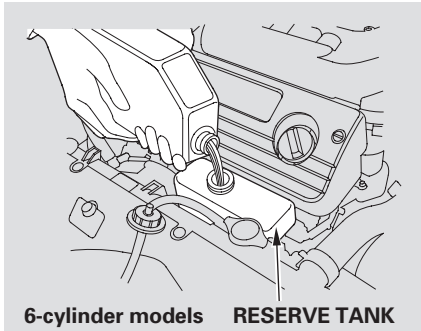
### NOTICE

*Improper disposal of engine oil can be harmful to the environment. If you change your own oil, please dispose of the used oil properly. Put it in a sealed container and take it to a recycling center. Do not discard it in a trash bin or dump it on the ground.*

### Adding Engine Coolant



If the coolant level in the reserve tank is at or below the MIN line, add coolant to bring it up to the MAX line. Inspect the cooling system for leaks. The coolant you add should always be a mixture of 50 percent antifreeze and 50 percent water. Never add straight antifreeze or plain water.



Always use Honda All Season Antifreeze/Coolant Type 2. This coolant is pre-mixed with 50 percent antifreeze and 50 percent water. It does not require any additional mixing. If it is not available, you may use another major-brand non-silicate coolant as a temporary replacement. Make sure it is a high-quality coolant recommended for aluminum engines. However, continued use of any non-Honda coolant can result in

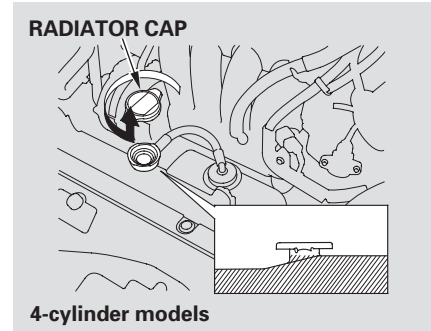
corrosion, causing the cooling system to malfunction or fail. Have the cooling system flushed and refilled with Honda antifreeze/coolant as soon as possible.

If the reserve tank is completely empty, you should also check the coolant level in the radiator.

### **⚠ WARNING**

Removing the radiator cap while the engine is hot can cause the coolant to spray out, seriously scalding you.

Always let the engine and radiator cool down before removing the radiator cap.

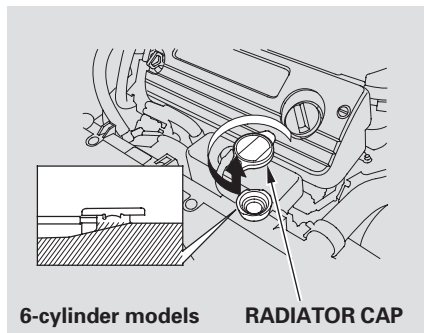


1. Make sure the engine and radiator are cool.
2. Turn the radiator cap counterclockwise, without pressing down on it, until it stops. This relieves any pressure remaining in the cooling system.
3. Remove the radiator cap by pushing down and turning counterclockwise.

*CONTINUED*

## Cooling System

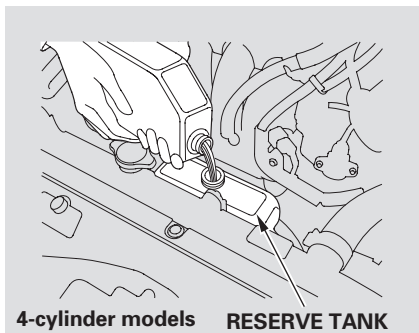
---



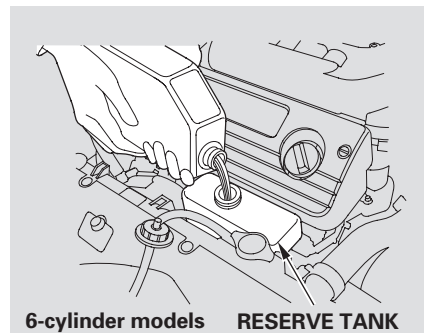
4. The coolant level should be up to the base of the filler neck. Add coolant if it is low.

Pour the coolant slowly and carefully so you do not spill. Clean up any spills immediately. Spilled coolant could damage components in the engine compartment.

5. Put the radiator cap back on. Tighten it fully.



6. Pour coolant into the reserve tank. Fill it to halfway between the MAX and MIN marks. Put the cap back on the reserve tank.

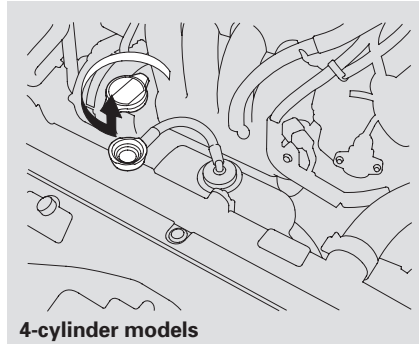


Do not add any rust inhibitors or other additives to your car's cooling system. They may not be compatible with the coolant or engine components.

### Replacing Engine Coolant

The cooling system should be completely drained and refilled with new coolant according to the time and distance recommendations in the maintenance schedule. Only use Honda All Season Antifreeze/Coolant Type 2. Use of any non-Honda coolant or plain water can result in corrosion and deposits in the cooling system.

Draining the coolant requires access to the underside of the car. Unless you have the tools and knowledge, you should have this maintenance done by a skilled mechanic.

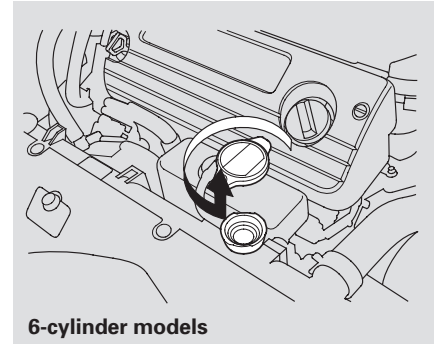


**4-cylinder models**

1. Open the hood. Make sure the engine and radiator are cool to the touch.

*On cars with Manual A/C*

Turn the ignition ON (II). Turn the temperature control dial all the way clockwise. Turn off the ignition and remove the key.



**6-cylinder models**

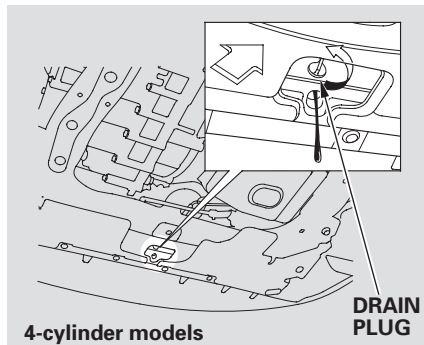
*On car with AUTO A/C*

Turn the ignition ON (II). Make sure the DUAL indicator is off. Turn the temperature control dial to 90°F (32°C). Turn off the ignition and remove the key.

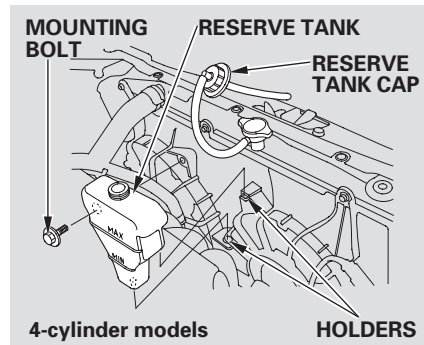
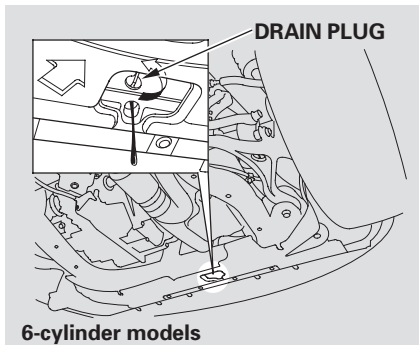
2. Remove the radiator cap.

*CONTINUED*

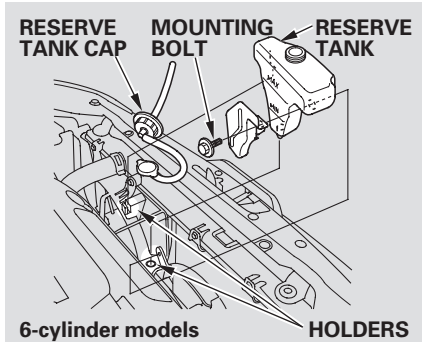
## Cooling System



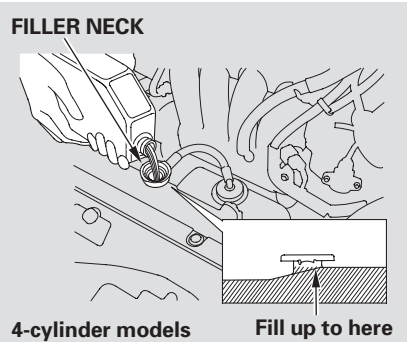
3. Loosen the drain plug on the bottom of the radiator. The coolant will drain through the splash guard. Drain the coolant into an appropriate container.



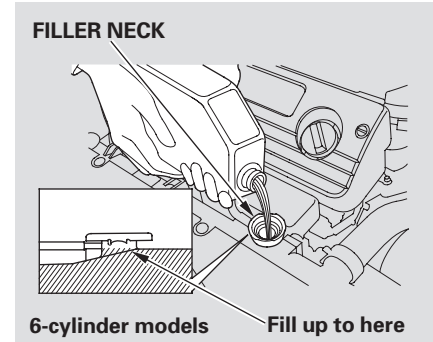
4. Remove the reserve tank mounting bolt with a wrench.



5. Remove the reserve tank from its holder by pulling it straight up. Drain the coolant, then put the tank back in its holder. Install the mounting bolt.
6. When the coolant stops draining, tighten the drain plug at the bottom of the radiator.



7. Pour Honda All Season Antifreeze/Coolant Type 2 into the radiator up to the base of the filler neck. This coolant is a mixture of 50 percent antifreeze and 50 percent water. Pre-mixing is not required.



CONTINUED



## Cooling System

---

The cooling system capacity is:

*With 5-speed manual transmission:*

1.35 US gal (5.1 ℓ)

*With automatic transmission:*

1.32 US gal (5.0 ℓ)

*6-cylinder models*

1.77 US gal (6.7 ℓ)

8. Start the engine and let it run for about 30 seconds. Then turn off the engine.
9. Fill the radiator with coolant up to the base of the filler neck.
10. Fill the reserve tank to the MAX mark. Install the reserve tank cap.
11. Install the radiator cap, and tighten it to the first stop.
12. Start the engine and let it run until the radiator cooling fan comes on at least twice. Then stop the engine.
13. Remove the radiator cap. Pour coolant into the radiator up to the base of the filler neck and into the reserve tank up to the MAX mark.
14. Start the engine and hold it at 1,500 rpm until the cooling fan comes on. Turn off the engine. Check the coolant level in the radiator and add coolant if needed.
15. Install the radiator cap, and tighten it fully.
16. If necessary, fill the reserve tank to the MAX mark. Install the reserve tank cap.

Check the level in the windshield washer reservoir at least monthly during normal usage. In bad weather, when you use the washers often, check the level every time you stop for fuel.

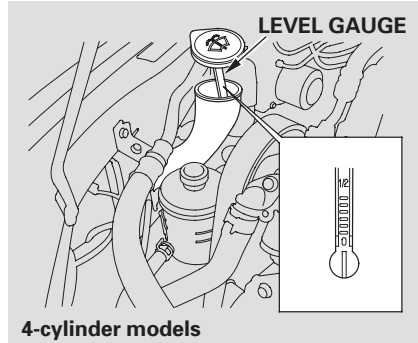
The windshield washer reservoir is located behind the right headlight.

Check the reservoir's fluid level by removing the cap and looking at the level gauge attached to the cap.

### **Canadian Models**

The low washer level indicator will light when the level is low (see page 62).

Fill the reservoir with a good-quality windshield washer fluid. This increases the cleaning capability and prevents freezing in cold weather.

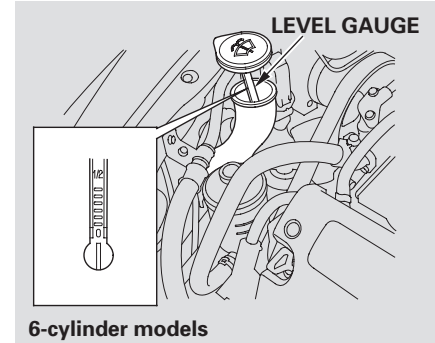


### **NOTICE**

*Do not use engine antifreeze or a vinegar/water solution in the windshield washer reservoir.*

*Antifreeze can damage your car's paint, while a vinegar/water solution can damage the windshield washer pump.*

*Use only commercially-available windshield washer fluid.*

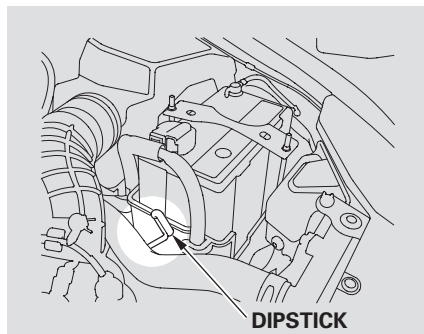


When you refill the reservoir, clean the edges of the windshield wiper blades with windshield washer fluid on a clean cloth. This will help to condition the blade edges.

# Transmission Fluid

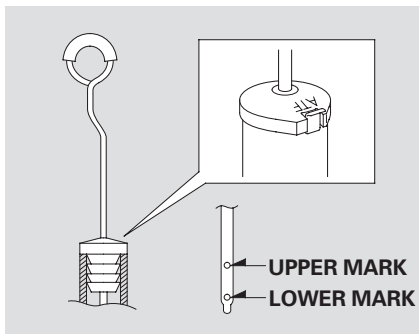
## Automatic Transmission

*4-cylinder models*



Check the fluid level with the engine at normal operating temperature.

1. Park the car on level ground. Shut off the engine.
2. Remove the dipstick (yellow loop) from the transmission and wipe it with a clean cloth.



3. Insert the dipstick all the way into the transmission securely as shown in the illustration.
4. Remove the dipstick and check the fluid level. It should be between the upper and lower marks.

5. If the level is below the lower mark, add fluid into the tube to bring it to the upper mark. Always use Honda ATF-Z1 (Automatic Transmission Fluid). If it is not available, you may use a DEXRON<sup>®</sup> III automatic transmission fluid as a temporary replacement. However, continued use can affect shift quality. Have the transmission flushed and refilled with Honda ATF-Z1 as soon as it is convenient.

To thoroughly flush the transmission, the technician should drain and refill it with Honda ATF-Z1 (Automatic Transmission Fluid), then drive the car a short distance. Do this three times. Then drain and refill the transmission a final time.

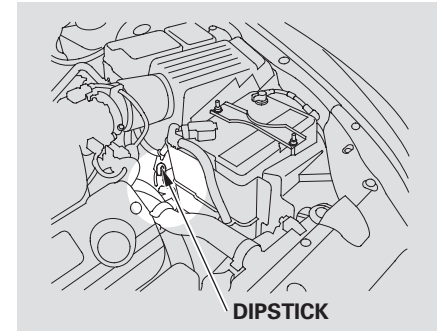
6. Insert the dipstick all the way back into the transmission securely as shown in the illustration.

The transmission should be drained and refilled with new fluid according to the time and distance recommendations in the maintenance schedule.

If you are not sure how to add fluid, contact your Honda dealer.

### Automatic Transmission

*6-cylinder models*



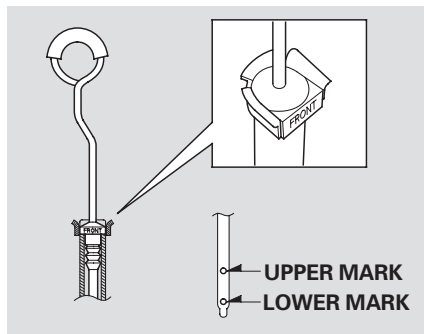
Check the fluid level with the engine at normal operating temperature.

1. Park the car on level ground. Shut off the engine.
2. Remove the dipstick (yellow loop) from the transmission and wipe it with a clean cloth.

*CONTINUED*

## Transmission Fluid

---



3. Insert the dipstick all the way into the transmission securely as shown in the illustration.
4. Remove the dipstick and check the fluid level. It should be between the upper and lower marks.

5. If the level is below the lower mark, add fluid into the tube to bring it to the upper mark. Always use Honda ATF-Z1 (Automatic Transmission Fluid). If it is not available, you may use a DEXRON® III automatic transmission fluid as a temporary replacement. However, continued use can affect shift quality. Have the transmission flushed and refilled with Honda ATF-Z1 as soon as it is convenient.

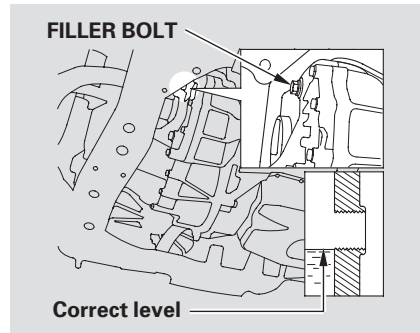
To thoroughly flush the transmission, the technician should drain and refill it with Honda ATF-Z1 (Automatic Transmission Fluid), then drive the car a short distance. Do this three times. Then drain and refill the transmission a final time.

6. Insert the dipstick all the way back into the transmission securely as shown in the illustration.

The transmission should be drained and refilled with new fluid according to the time and distance recommendations in the maintenance schedule.

If you are not sure how to add fluid, contact your Honda dealer.

### 5-speed Manual Transmission



Check the fluid level with the transmission at normal operating temperature and the car sitting on level ground. Remove the transmission filler bolt and carefully feel inside the bolt hole with your finger. The fluid level should be up to the edge of the bolt hole. If it is not, add Honda Manual Transmission Fluid (MTF) until it starts to run out of the hole. Reinstall the filler bolt and tighten it securely.

If Honda MTF is not available, you may use an SAE 10W-30 or 10W-40 viscosity motor oil with the API Certification seal that says “FOR GASOLINE ENGINES” as a temporary replacement. However, motor oil does not contain the proper additives and continued use can cause stiffer shifting. Replace as soon as it is convenient.

The transmission should be drained and refilled with new fluid according to the time and distance recommendations in the maintenance schedule.

## Brake and Clutch Fluid

---

Check the fluid level in the reservoirs monthly. There are up to two reservoirs, depending on the model. They are:

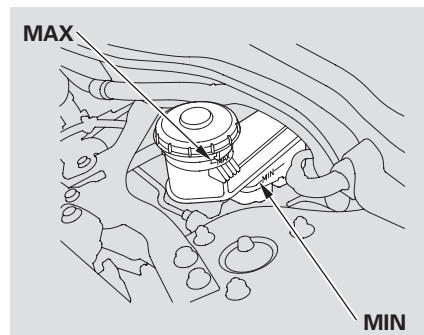
- Brake fluid reservoir (all models)
- Clutch fluid reservoir (manual transmission only)

The brake fluid should be replaced according to the time recommendation in the maintenance schedule.

Always use Honda Heavy Duty Brake Fluid DOT 3. If it is not available, you should use only DOT 3 or DOT 4 fluid, from a sealed container, as a temporary replacement. However, the use of any non-Honda brake fluid can cause corrosion and decrease the life of the system. Have the brake system flushed and refilled with Honda Heavy Duty Brake Fluid DOT 3 as soon as possible.

Brake fluid marked DOT 5 is not compatible with your car's braking system and can cause extensive damage.

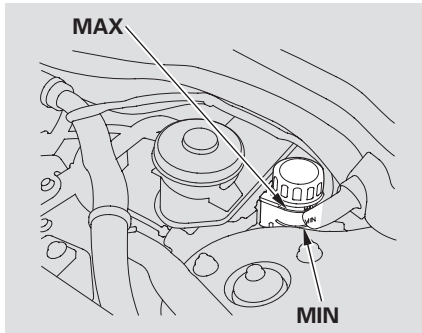
### Brake System



The fluid level should be between the MIN and MAX marks on the side of the reservoir. If the level is at or below the MIN mark, your brake system needs attention. Have the brake system inspected for leaks or worn brake pads.

# Brake and Clutch Fluid, Power Steering

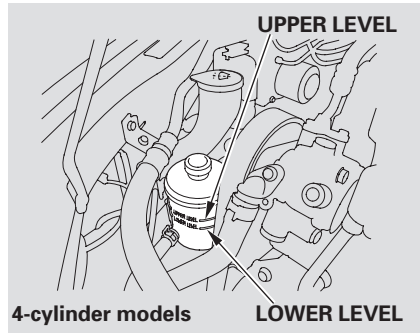
## Clutch System



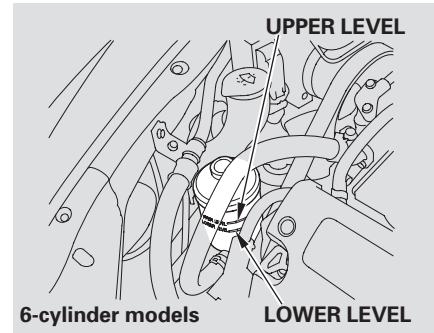
The fluid level should be between the MIN and MAX marks on the side of the reservoir. If it is not, add brake fluid to bring it up to that level. Use the same fluid specified for the brake system.

Low fluid level can indicate a leak in the clutch system. Have this system inspected as soon as possible.

## Power Steering



Check the level when the engine is cold. Look at the side of the reservoir. The fluid should be between the UPPER LEVEL and LOWER LEVEL. If it is below the LOWER LEVEL, add power steering fluid to the UPPER LEVEL.



*CONTINUED*



## Power Steering, Air Cleaner Element

---

Always use Honda Power Steering Fluid. If it is not available, you may use another power steering fluid as an emergency replacement. However, continued use can cause increased wear and poor steering in cold weather. Have the power steering system flushed and refilled with Honda PSF as soon as possible.

A low power steering fluid level can indicate a leak in the system. Check the fluid level frequently and have the system inspected as soon as possible.

### NOTICE

*Turning the steering wheel to full left or right lock and holding it there can damage the power steering pump.*

### Air Cleaner Element

The air cleaner element should be cleaned or replaced according to the time and distance recommendations in the maintenance schedule.

#### ***Cleaning (Severe Conditions)***

Clean the air cleaner element by blowing compressed air through it in the opposite direction to normal air flow. If you do not have access to compressed air (such as a service station), ask your Honda dealer to do this service.

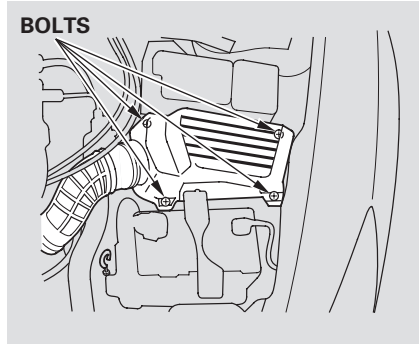
Follow the replacement procedure for removal and reinstallation.

## Air Cleaner Element (4-cylinder Models)

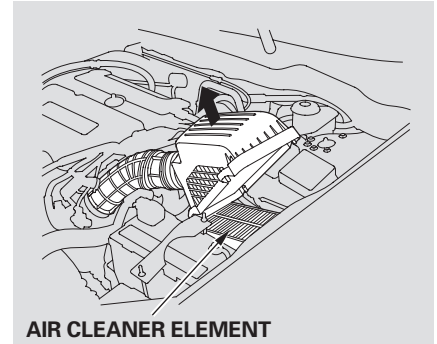
### ***Replacement***

The air cleaner element is inside the air cleaner housing on the driver's side of the engine compartment.

To replace it:



1. Loosen the four bolts, and remove the air cleaner housing cover.
2. Remove the old air cleaner element.
3. Carefully clean the inside of the air cleaner housing with a damp rag.



4. Place the new air cleaner element in the air cleaner housing.
5. Reinstall the air cleaner housing cover, and tighten the four bolts.

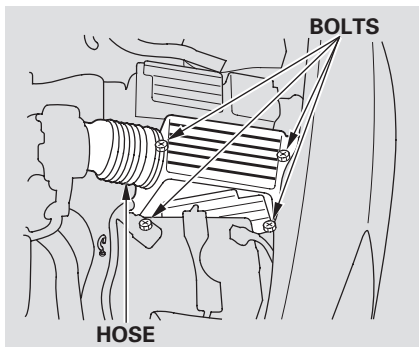
*CONTINUED*

## Air Cleaner Element (6-cylinder Models)

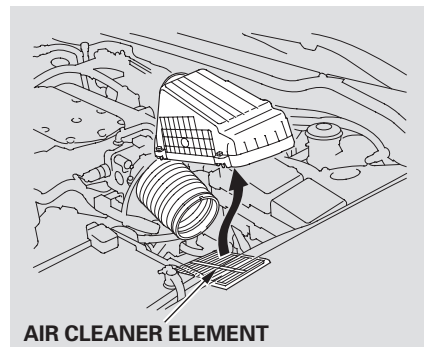
### **Replacement**

The air cleaner element is inside the air cleaner housing on the driver's side of the engine compartment.

To replace it:



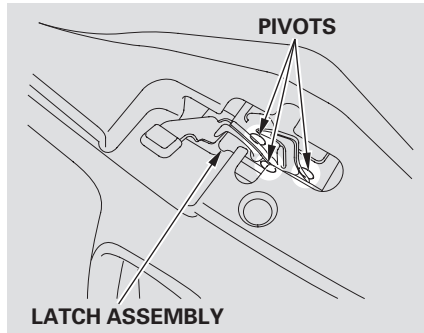
1. Disconnect the hose from the air cleaner housing cover with flat-tipped screwdriver.
2. Loosen the four bolts, and remove the air cleaner housing cover.
3. Remove the old air cleaner element.
4. Carefully clean the inside of the air cleaner housing with a damp rag.



5. Place the new air cleaner element in the air cleaner housing.
6. Reinstall the air cleaner housing cover, and tighten the four bolts.
7. Connect the hose to the air cleaner housing cover with a flat-tipped screwdriver.

# Hood Latch, Spark Plugs (4-cylinder Models)

## Hood Latch

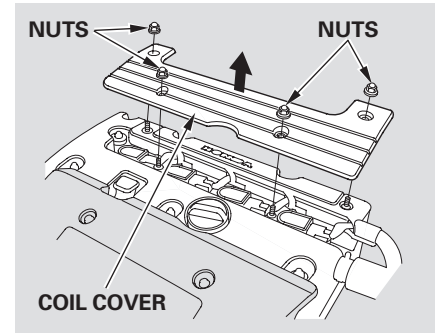


Clean the hood latch assembly with a mild cleaner, then lubricate it with a multipurpose grease. Lubricate all the moving parts (as shown), including the pivot. Follow the time and distance recommendations in the Maintenance Schedule. If you are not sure how to clean and grease the latch, contact your Honda dealer.

## Spark Plugs

The spark plugs in your car are a special iridium-tipped design for longer life. The spark plugs should be replaced according to the distance recommendation in the maintenance schedule.

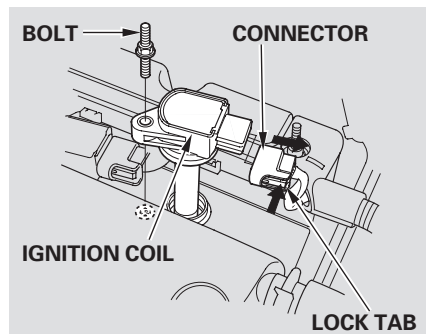
## Replacement



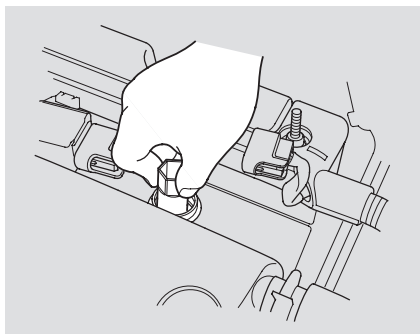
1. Remove the four nuts with a wrench, then remove the coil cover.

*CONTINUED*

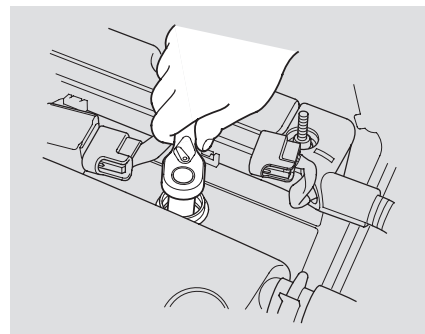
## Spark Plugs (4-cylinder Models)



2. Clean up any dirt and oil that have collected around the ignition coils.
3. Use a wrench to remove the bolt holding the ignition coil. Pull the ignition coil up slightly.
4. Disconnect the wire connector from the ignition coil by pushing on the lock tab and pulling on the connector. Pull on the plastic connector, not the wires.



5. Remove the ignition coil.
6. Remove the spark plug with a five-eighths inch (16 mm) spark plug socket.
7. Put the new spark plug into the socket, then screw it into the hole. Screw it in by hand so you do not crossthread it.



8. Torque the spark plug. (If you do not have a torque wrench, tighten the spark plug two-thirds of a turn after it contacts the cylinder head.)  
Tightening torque:  
13 lbf-ft (18 N·m , 1.8 kgf·m)

## Spark Plugs (4-cylinder Models), Spark Plugs (6-cylinder Models)

---

### NOTICE

*Tighten the spark plugs carefully. A spark plug that is too loose can overheat and damage the engine. Overtightening can cause damage to the threads in the cylinder head.*

9. Install the ignition coil into the hole.
10. Connect the wire connector to the ignition coil. Make sure it locks in place.
11. Push the ignition coil down all the way. Install the bolt.
12. Repeat this procedure for the other three spark plugs.
13. Reinstall the coil cover, and tighten the four nuts.

### Specifications:

NGK: IZFR6K-11  
DENSO: SKJ20DR-M11

### On some models

NGK: IZFR6K-13  
DENSO: SKJ20DR-M13

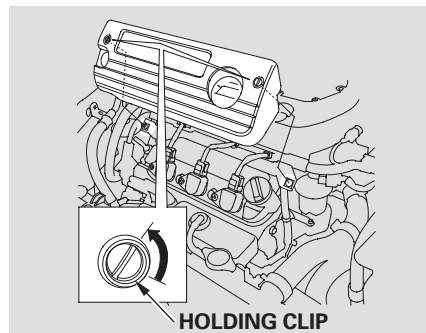
### Spark Plugs (6-cylinder Models)

The spark plugs in your car are a special iridium-tipped design for longer life. The spark plugs should be replaced according to the distance recommendation in the maintenance schedule.

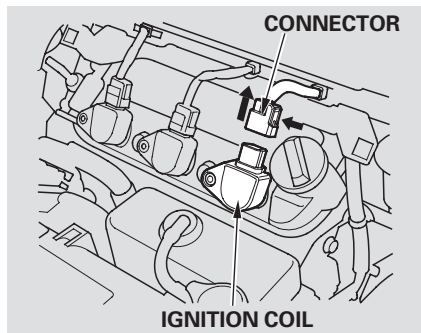
*CONTINUED*

## Spark Plugs (6-cylinder Models)

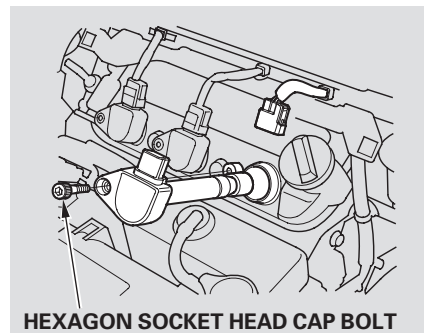
### Replacement



1. Loosen the two holding clips by turning the heads one-quarter turn counterclockwise with a flat-tipped screwdriver. Remove the cover on the front cylinder bank by pulling it straight up.

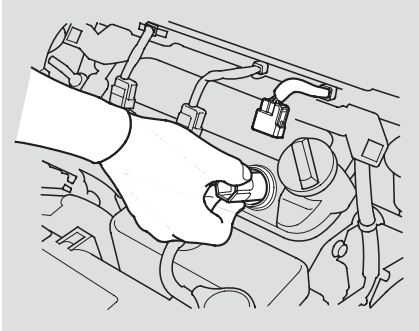


2. Clean off any dirt and oil that has collected around the ignition coil.
3. Disconnect the wire connector from the ignition coil by pushing on the lock tab and pulling on the connector. Pull on the plastic connector, not the wires.

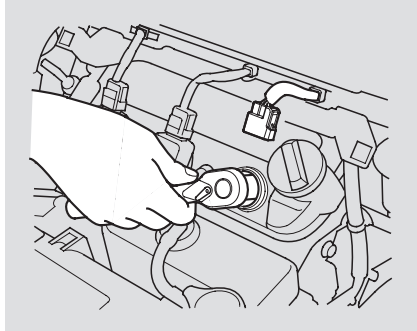


4. Use a wrench to remove the hexagon socket head cap bolt holding the ignition coil. Remove the ignition coil by pulling it straight out.
5. Remove the spark plug with a five-eighths inch (16 mm) spark plug socket.

## Spark Plugs (6-cylinder Models)



- Put the new spark plug into the socket, then screw it into the hole. Screw it in by hand so you do not crosstread it.
- Torque the spark plug. (If you do not have a torque wrench, tighten the spark plug two-thirds of a turn after it contacts the cylinder head.)  
Tightening torque:  
13 lbf-ft (18 N·m , 1.8 kgf-m)



### NOTICE

*Tighten the spark plugs carefully. A spark plug that is too loose can overheat and damage the engine. Overtightening can cause damage to the threads in the cylinder head.*

- Install the ignition coil. Reinstall the hexagon socket head cap bolt.

- Push the wire connector onto the ignition coil. Make sure it locks in place.
- Repeat this procedure for the other five spark plugs.
- Reinstall the cover on the front cylinder bank while putting its mounting clip in the hole on the passenger's side. Secure the cover by turning the heads of the two holding clips one-quarter turn clockwise with a flat-tipped screwdriver.

### Specifications:

NGK: IZFR6K-11  
DENSO: SKJ20DR-M11

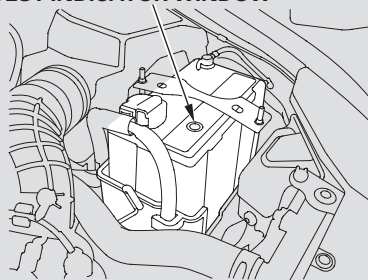


## Battery

---

Check the condition of your car's battery monthly. You should check the color of the test indicator window, and for corrosion on the terminals.

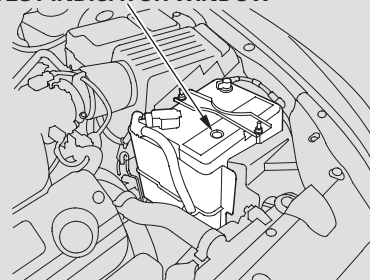
### TEST INDICATOR WINDOW



4-cylinder models

Check the battery condition by looking at the test indicator window on the battery. The label on the battery explains the test indicator's colors.

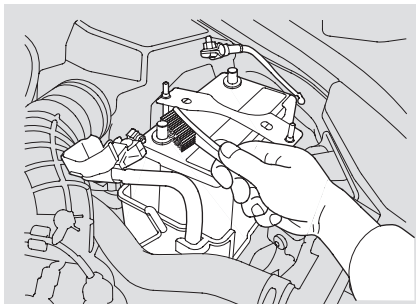
### TEST INDICATOR WINDOW



6-cylinder models

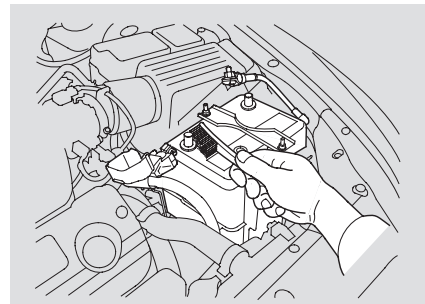
Check the battery terminals for corrosion (a white or yellowish powder). To remove it, cover the terminals with a solution of baking soda and water. It will bubble up and turn brown. When this stops, wash it off with plain water. Dry off the battery with a cloth or paper towel. Coat the terminals with grease to help prevent future corrosion.

**WARNING:** Battery posts, terminals, and related accessories contain lead and lead compounds. **Wash hands after handling.**



**4-cylinder models**

If the terminals are severely corroded, clean them with baking soda and water. Then use a wrench to loosen and remove the cables from the terminals. Always disconnect the negative (–) cable first and reconnect it last. Clean the battery terminals with a terminal cleaning tool or wire brush. Reconnect and tighten the cables, then coat the terminals with grease.



**6-cylinder models**

If you need to connect the battery to a charger, disconnect both cables to prevent damage to the car's electrical system.

*CONTINUED*

# Battery

---

## **⚠ WARNING**

The battery gives off explosive hydrogen gas during normal operation.

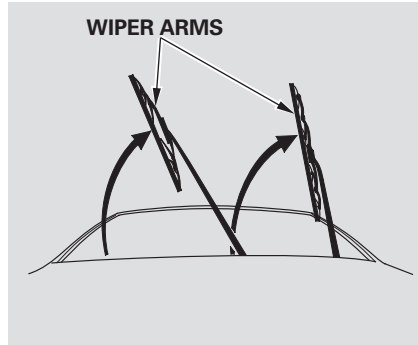
A spark or flame can cause the battery to explode with enough force to kill or seriously hurt you.

Wear protective clothing and a face shield, or have a skilled mechanic do the battery maintenance.

## **NOTICE**

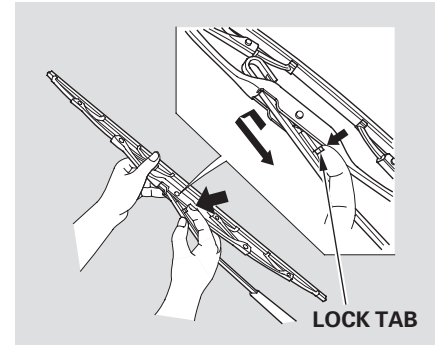
*Charging the battery with the cables connected can seriously damage your car's electronic controls. Detach the battery cables before connecting the battery to a charger.*

Check the condition of the wiper blades at least every six months. Look for signs of cracking in the rubber, or areas that are getting hard. Replace the blades if you find these signs, or if they leave streaks and unwiped areas when used.



To replace the blade:

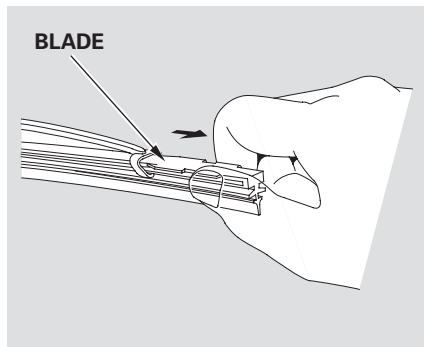
1. Raise the wiper arm off the windshield.  
Raise the driver's side first, then the passenger's side.



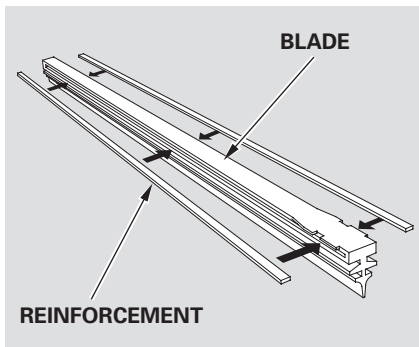
2. Disconnect the blade assembly from the wiper arm by pushing in the lock tab. Hold the lock tab in while you push the blade assembly toward the base of the arm.

*CONTINUED*

## Wiper Blades



3. Remove the blade from its holder by grasping the tabbed end of the blade. Pull firmly until the tabs come out of the holder.



4. Examine the new wiper blades. If they have no plastic or metal reinforcement along the back edge, remove the metal reinforcement strips from the old wiper blade and install them in the slots along the edge of the new blade.

5. Slide the new wiper blade into the holder until the tabs lock.
6. Slide the wiper blade assembly onto the wiper arm. Make sure it locks in place.
7. Lower the wiper arm down against the windshield.  
Lower the passenger's side first, then the driver's side.

### *Optional for U.S. DX models*

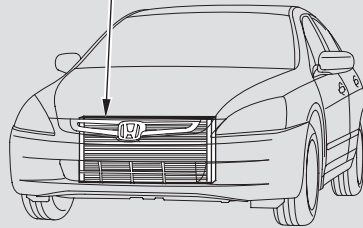
Your car's air conditioning is a sealed system. Any major maintenance, such as recharging, should be done by a qualified mechanic. You can do a couple of things to make sure the air conditioning works efficiently.

Periodically check the engine's radiator and air conditioning condenser for leaves, insects, and dirt stuck to the front surface. These block the air flow and reduce cooling efficiency. Use a light spray from a hose or a soft brush to remove them.

### **NOTICE**

*The condenser and radiator fins bend easily. Only use a low-pressure spray or soft-bristle brush to clean them.*

**AIR CONDITIONING CONDENSER**



Run the air conditioning at least once a week during the cold weather months. Run it for at least ten minutes while you are driving at a steady speed with the engine at normal operating temperature. This circulates the lubricating oil contained in the refrigerant.

If the air conditioning does not get as cold as before, have your dealer check the system. Recharge the system with Refrigerant HFC-134a (R-134a). (See Specifications on page 364.)

### **NOTICE**

*Whenever you have the air conditioning system serviced, make sure the service facility uses a refrigerant recycling system. This system captures the refrigerant for reuse. Releasing refrigerant into the atmosphere can damage the environment.*

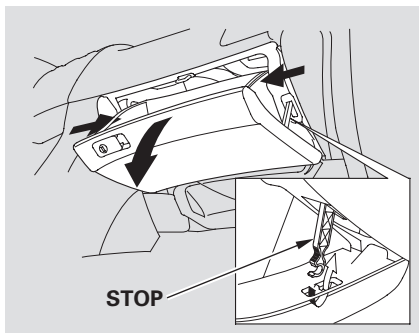
## Dust and Pollen Filter

---

The dust and pollen filter removes pollen and dust that is brought in from the outside through the heating and cooling system.

This filter should be replaced every 30,000 miles (48,000 km) under normal conditions. It should be replaced every 15,000 miles (24,000 km) if you drive primarily in urban areas that have high concentrations of soot in the air from industry and diesel-powered vehicles. Replace it more often if air flow from the heating and cooling system becomes less than usual.

### *Replacement*



The dust and pollen filter is located behind the glove box.

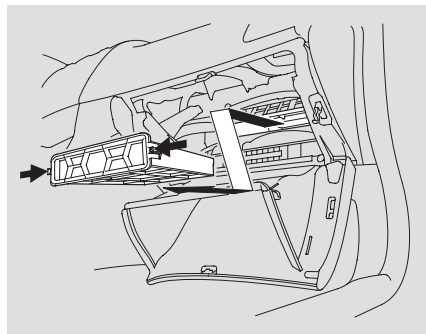
To replace it:

1. Open the glove box.

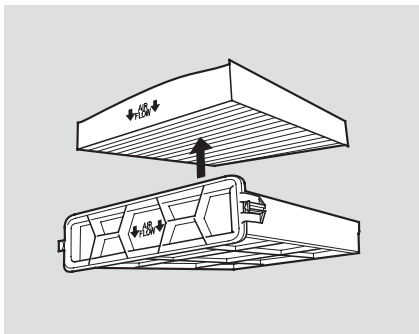
2. Push the stop on the right side of the glove box to detach it from the glove box.

3. Pivot the glove box out of the way.

## Dust and Pollen Filter



4. Push in the tabs on the corners of the dust and pollen filter case. Pull out the case.



5. Remove the filter from the case.
6. Install the new filter in the case. Make sure the arrows of the "AIR FLOW" marks on the filter point to the air flow direction (downward).

7. Install the case. Make sure both tabs "click" into place.

8. Install the glove box stop, and close the glove box.

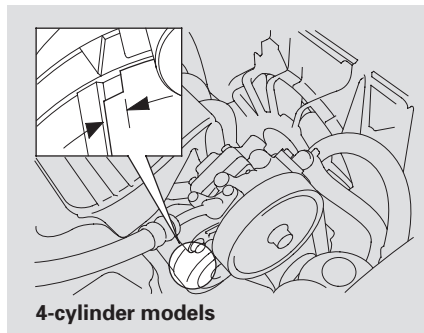
If you are not sure how to replace the dust and pollen filter, have it replaced by your Honda dealer.



# Drive Belt, Timing Belt

---

## Drive Belt



Check the condition of the drive belt. Examine the edges of the belt for cracks or fraying.

An auto-tensioner adjusts the tension of the drive belt. The pointer on the auto-tensioner should be in the proper range. It should be checked according to the time and distance recommendations in the maintenance schedule.

If the pointer is out of this range or you see signs of wear, have the drive belt replaced by your Honda dealer as soon as possible.

### *6-cylinder models*

Take your car to a Honda dealer to replace the drive belt.

## Timing Belt

### *6-cylinder models only*

The timing belt and balancer belt should normally be replaced at the intervals shown in the maintenance schedule.

Replace these belts at 60,000 miles (U.S.) or 100,000 km (Canada) if you regularly drive your car in one or more of these conditions:

- In very high temperatures (over 110°F, 43°C).
- In very low temperatures (under -20°F, -29°C).

To safely operate your car, your tires must be the proper type and size, in good condition with adequate tread, and correctly inflated. The following pages give more detailed information on how and when to check air pressure, how to inspect your tires for damage and wear, and what to do when your tires need to be replaced.

### **WARNING**

Using tires that are excessively worn or improperly inflated can cause a crash in which you can be seriously hurt or killed.

Follow all instructions in this owner's manual regarding tire inflation and maintenance.

### **Inflation**

Keeping the tires properly inflated provides the best combination of handling, tread life, and riding comfort. Underinflated tires wear unevenly, adversely affect handling and fuel economy, and are more likely to fail from being overheated. Overinflated tires can make your car ride more harshly, are more prone to damage from road hazards, and wear unevenly.

We recommend that you visually check your tires every day. If you think a tire might be low, check it immediately with a tire gauge.

Use a gauge to measure the air pressure at least once a month. Even tires that are in good condition may lose one to two psi (10 to 20 kPa, 0.1 to 0.2 kgf/cm<sup>2</sup>) per month. Remember to check the spare tire at the same time you check all the other tires.

Check the pressure in the tires when they are cold. This means the car has been parked for at least three hours. If you have to drive the car before checking the tire pressure, the tires can still be considered "cold" if you drive less than 1 mile (1.6 km).

*CONTINUED*

# Tires

If you check the pressure when the tires are hot (the car has been driven several miles), you will see readings 4 to 6 psi (30 to 40 kPa, 0.3 to 0.4 kgf/cm<sup>2</sup>) higher than the cold reading. This is normal. Do not let air out to match the specified cold pressure. The tire will be underinflated.

You should get your own tire pressure gauge and use it whenever you check your tire pressures. This will make it easier for you to tell if a pressure loss is due to a tire problem and not due to a variation between gauges.

## ***Recommended Tire Pressures for Normal Driving***

The following chart shows the recommended cold tire pressures for most normal driving conditions and speeds. Tire pressures for high speed driving are the same as for normal driving.

### **All models except LX**

Tire Size	Cold Tire Pressure for Normal Driving
P195/65R15 89H *1 P205/60R16 91V *2	Front: 32 psi (220 kPa , 2.2 kgf/cm <sup>2</sup> )  Rear: 30 psi (210 kPa , 2.1 kgf/cm <sup>2</sup> )

\* 1 DX model

\* 2 EX and V6 models

### **LX model**

Tire Size	Cold Tire Pressure for Normal Driving
P205/65R15 92H	Front: 30 psi (210 kPa , 2.1 kgf/cm <sup>2</sup> )  Rear: 29 psi (200 kPa , 2.0 kgf/cm <sup>2</sup> )

The compact spare tire pressure is: 60 psi (420 kPa , 4.2 kgf/cm<sup>2</sup>)

These pressures are also given on the tire information label on the driver's doorjamb.

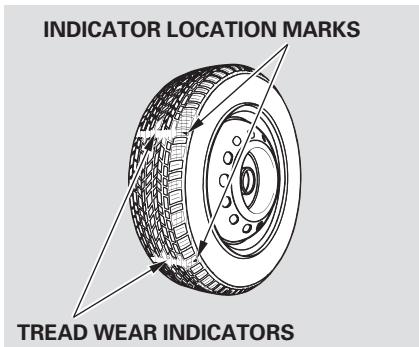
Tubeless tires have some ability to self-seal if they are punctured. However, because leakage is often very slow, you should look closely for punctures if a tire starts losing pressure.

## Inspection

Every time you check inflation, you should also examine the tires for damage, foreign objects, and wear.

You should look for:

- Bumps or bulges in the tread or side of the tire. Replace the tire if you find either of these conditions.
- Cuts, splits, or cracks in the side of the tire. Replace the tire if you can see fabric or cord.
- Excessive tread wear.



Your car's tires have wear indicators molded into the tread. When the tread wears down to that point, you will see a 1/2 inch (12.7 mm) wide band running across the tread. This shows there is less than 1/16 inch (1.6 mm) of tread left on the tire. A tire that is this worn gives very little traction on wet roads. You should replace the tire if you can see the tread wear indicator in three or more places around the tire.

## Maintenance

In addition to proper inflation, correct wheel alignment helps to decrease tire wear. If you find a tire is worn unevenly, have your dealer check the wheel alignment.

The tires were properly balanced by the factory. They may need to be rebalanced at some time before they are worn out. Have your dealer check the tires if you feel a consistent vibration while driving. A tire should always be rebalanced if it is removed from the wheel for repair.

*CONTINUED*

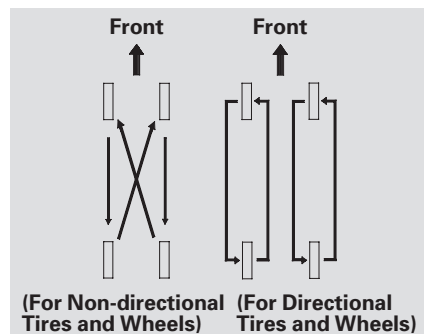
# Tires

Make sure the installer balances the wheels when you have new tires installed. This increases riding comfort and tire life. Your car's original tires were dynamic or "spin" balanced at the factory. For best results, have the installer perform a dynamic balance.

## NOTICE

(U.S. LX, EX and EX-V6 models)  
*Improper wheel weights can damage your car's aluminum wheels. Use only Honda wheel weights for balancing.*

## Tire Rotation



To help increase tire life and distribute wear more evenly, you should have the tires rotated every 10,000 miles (16,000 km). Move the tires to the positions shown in the chart each time they are rotated.

When shopping for replacement tires, you may find that some tires are "directional." This means they are designed to rotate only in one direction. If you use directional tires,

they should be rotated only front-to-back.

## Replacing Tires and Wheels

The tires that came with your car were selected to match the performance capabilities of the car while providing the best combination of handling, ride comfort, and long life. You should replace them with radial tires of the same size, load range, speed rating, and maximum cold tire pressure rating (as shown on the tire's sidewall). Mixing radial and bias-ply tires on your car can reduce its braking ability, traction, and steering accuracy.

## **⚠ WARNING**

Installing improper tires on your car can affect handling and stability. This can cause a crash in which you can be seriously hurt or killed.

Always use the size and type of tires recommended in this owner's manual.

It is best to replace all four tires at the same time. If that is not possible or necessary, then replace the two front tires or the two rear tires as a pair. Replacing just one tire can seriously affect your car's handling.

The ABS works by comparing the speed of the wheels. When replacing tires, use the same size originally supplied with the car. Tire size and construction can affect wheel speed and may cause the system to work

inconsistently.

If you ever need to replace a wheel, make sure the wheel's specifications match those of the original wheel that came on your car. Replacement wheels are available at your Honda dealer.

### **Wheels and Tires**

Wheel:

DX and LX models  
15 x 6 1/2 JJ

All EX models

16 x 6 1/2 JJ (Aluminum wheels only)

LX-V6 model

16 x 6 1/2 JJ (Steel wheels only)

Tire:

DX model  
P195/65R15 89H

LX model  
P205/65R15 92H

All EX and V6 models  
P205/60R16 91V

See page 367 for information about DOT Tire Quality Grading.

# Tires

---

## Winter Driving

Tires that are marked “M+S” or “All Season” on the sidewall have an all-weather tread design. They should be suitable for most winter driving conditions. Tires without these markings are designed for optimum traction in dry conditions. They may not provide adequate performance in winter driving. For the best performance in snowy or icy conditions, you should install snow tires or tire chains. They may be required by local laws under certain conditions.

## Snow Tires

If you mount snow tires on your Honda, make sure they are radial tires of the same size and load range as the original tires. Mount snow tires on all four wheels to balance your car’s handling in all weather conditions. Keep in mind the traction provided by snow tires on dry roads may not be as high as your car’s original equipment tires. You should drive cautiously even when the roads are clear. Check with the tire dealer for maximum speed recommendations.

## Tire Chains

Mount snow chains on your tires when required by driving conditions or local laws. Install them only on the front tires.

Because your car has limited tire clearance, Honda strongly recommends using the chains listed below, made by Security Chain Company (SCC).

### *DX*

Link-type: SCC Quick Grip QG1130  
Cable-types: SCC Radial Chain  
CH2311T or SCC SC Cable SC1030

### *LX*

Link-type: SCC Quick Grip QG1134  
Cable-types: SCC Radial Chain  
CH2311T or SCC SC Cable SC1030

### *EX and V6*

Cable-types: SCC Radial Chain  
CH2311T or SCC SC Cable SC1030

These chains are the only ones that have been approved by Honda for use on your car. Since Honda cannot test all chains, you must be personally responsible for proper selection, installation, and use of snow chains.

The chains listed here are available at many auto supply stores. For a complete list of stores, visit the SCC website at [www.scc-chain.com](http://www.scc-chain.com). When installing chains, follow the manufacturer's instructions, and mount them as tightly as you can. Drive slowly with chains installed.

### **WARNING**

Using the wrong chains, or not properly installing chains, can damage the brake lines and cause a crash in which you can be seriously injured or killed.

Follow all instructions in this owner's manual regarding the selection and use of tire chains.

If you ever hear the chains contacting the body or chassis, stop and investigate. If the chains have loosened, retighten them. Make sure they do not contact the brake lines or suspension.

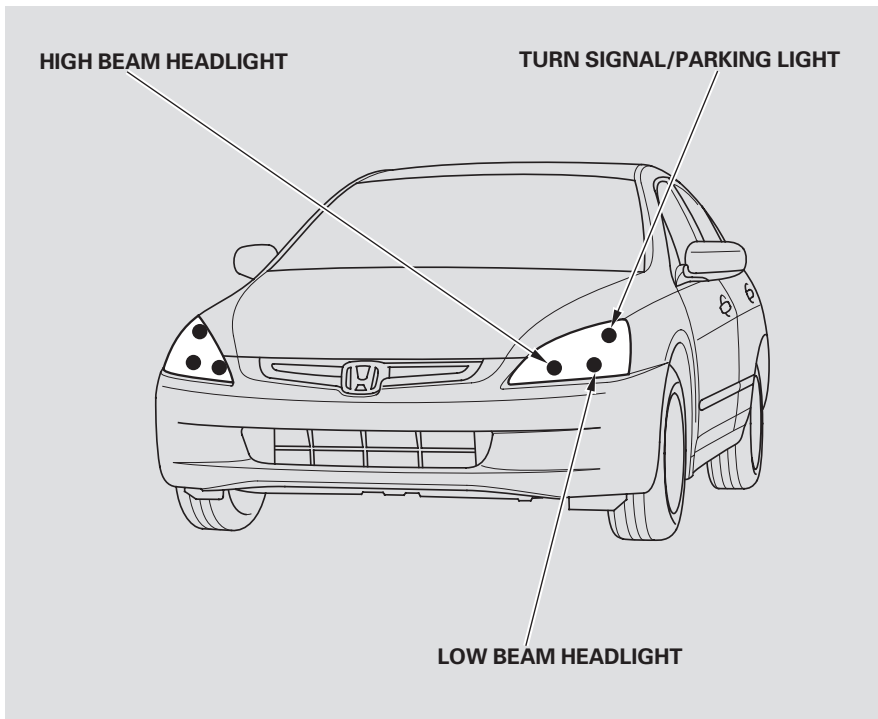
Remove the chains as soon as you begin driving on cleared roads.

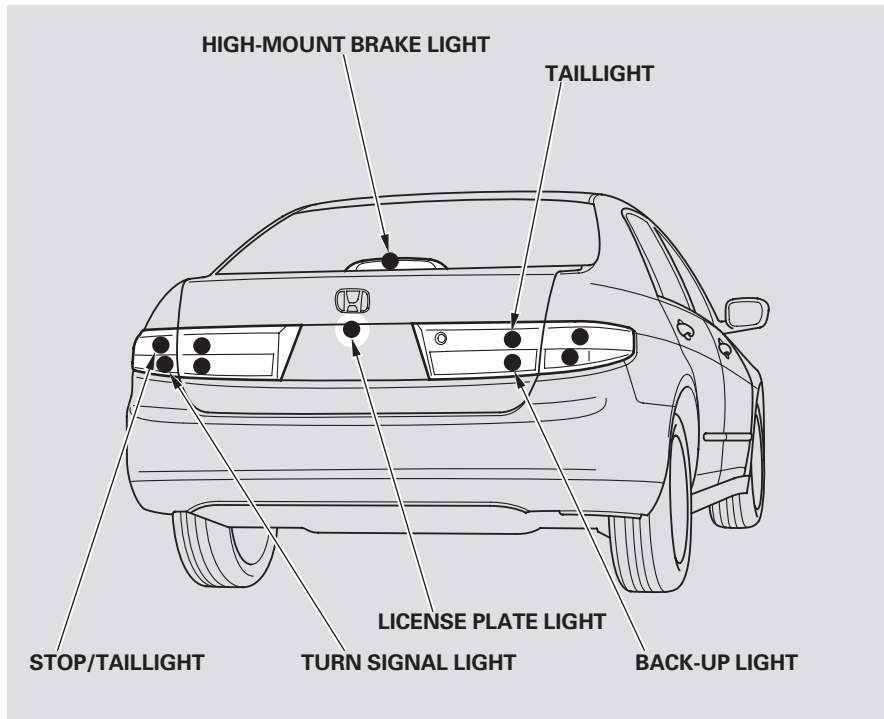


## Lights

---

Check the operation of your car's exterior lights at least once a month. A burned out bulb can create an unsafe condition by reducing your car's visibility and the ability to signal your intentions to other drivers.





Check the following:

- Headlights (low and high beam)
- Parking lights
- Taillights
- Brake lights
- High-mount brake light
- Turn signals
- Back-up lights
- Hazard light function
- License plate light
- Daytime running lights (Canadian models)

If you find any bulbs are burned out, replace them as soon as possible. Refer to the chart on page [365](#) to determine what type of replacement bulb is needed.

# Lights

---

## Headlight Aiming

The headlights were properly aimed when your car was new. If you regularly carry heavy items in the trunk or pull a trailer, readjustment may be required. Adjustment of the headlights should be performed by a Honda technician or other qualified mechanic.

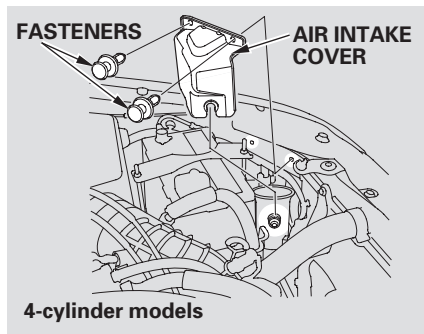
## Replacing a Headlight Bulb

Your car has two bulbs on each side, four in total. Make sure you are replacing the bulb that is burned out. Your car uses halogen headlight bulbs. When replacing a bulb, handle it by its plastic case and protect the glass from contact with your skin or hard objects. If you touch the glass, clean it with denatured alcohol and a clean cloth.

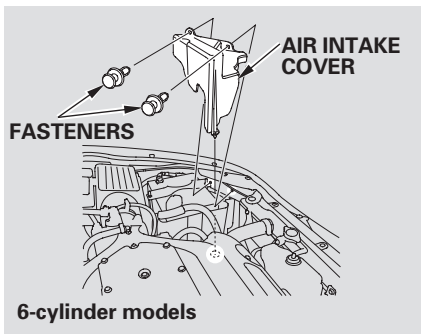
### NOTICE

*Halogen headlight bulbs get very hot when lit. Oil, perspiration, or a scratch on the glass can cause the bulb to overheat and shatter.*

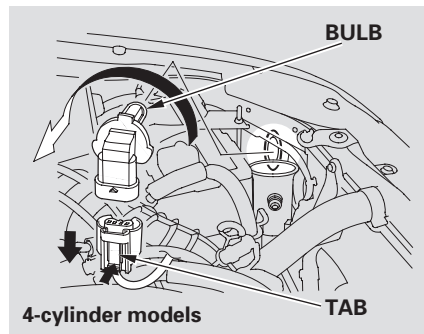
## High Beam Headlight



1. Open the hood. If you need to change a bulb on the passenger's side, undo the two fasteners and remove the air intake cover.



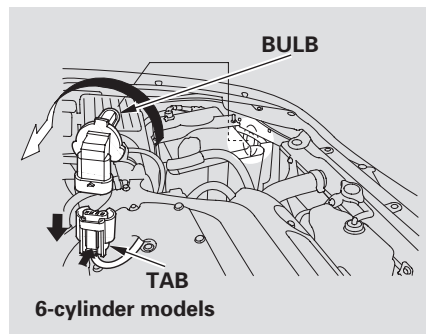
2. Remove the electrical connector from the bulb by squeezing the connector to unlock the tab, then slide the connector off the bulb.



3. Remove the bulb by turning it approximately one-quarter turn counterclockwise.
4. Insert the new bulb into the hole and turn it one-quarter turn clockwise to lock it in place.

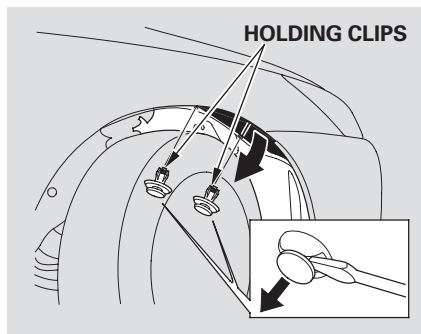
CONTINUED

# Lights

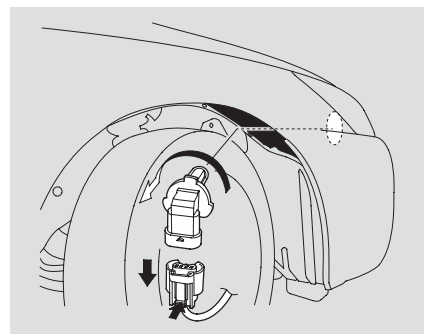


5. Push the electrical connector back onto the bulb. Make sure it is on all the way.
6. Turn on the headlights to test the new bulb.
7. (Passenger's side)  
Reinstall the air intake cover.  
Reinstall the two fasteners and secure them by pushing on the heads until they lock.

## *Low Beam Headlight*



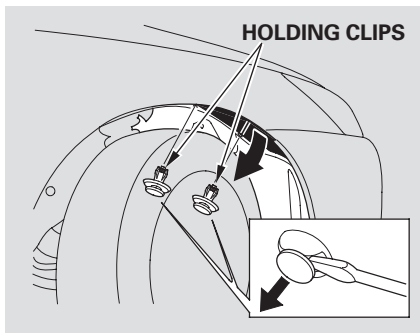
1. If you are changing the bulb on the passenger's side, start the engine, turn the steering wheel all the way to the left, and turn off the engine. If you are changing the bulb on the driver's side, turn the steering wheel to the right.
2. Use a flat-tipped screwdriver to remove the two holding clips from the inner fender.



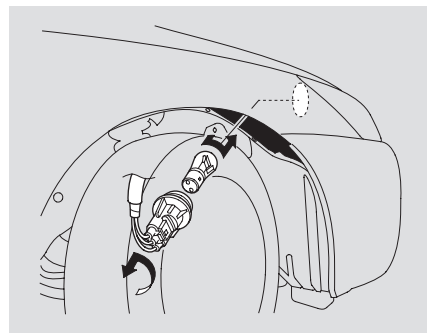
3. Pull the inner fender cover away from the fender and bumper.
4. Remove the bulb by turning it approximately one-quarter turn counterclockwise.
5. Remove the electrical connector from the bulb by squeezing the connector to unlock the tab, then slide the connector off the bulb.

6. Insert the new bulb into the hole and turn it one-quarter turn clockwise to lock it in place.
7. Push the electrical connector back onto the bulb. Make sure it is on all the way.
8. Turn on the headlights to test the new bulb.
9. Put the inner fender cover in place. Install the two holding clips. Lock each one in place by pushing on the center.

## Replacing a Front Turn Signal/ Parking Light Bulbs



1. If you are changing the bulb on the passenger's side, start the engine, turn the steering wheel all the way to the left, and turn off the engine. If you are changing the bulb on the driver's side, turn the steering wheel to the right.
2. Use a flat-tipped screwdriver to remove the holding clips from the inner fender.



3. Pull the inner fender cover away from the fender and bumper.
4. Remove the socket from the headlight assembly by turning it one-quarter turn counterclockwise.

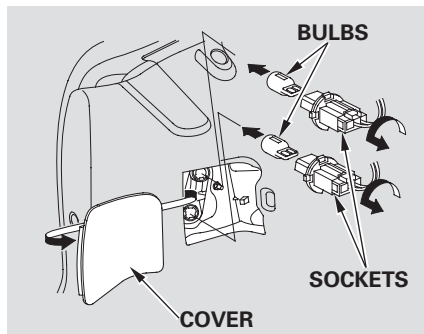
*CONTINUED*

## Lights

---

5. Remove the burned out bulb from the socket by pushing it in and turning the bulb counterclockwise until it unlocks.
6. Install the new bulb in the socket. Turn it clockwise to lock it in place.
7. Insert the socket back into the headlight assembly. Turn it clockwise to lock it in place.
8. Test the lights to make sure the new bulb is working.
9. Put the inner fender cover in place. Install the holding clips. Lock each one in place by pushing on the center.

## Replacing Rear Bulbs (in Fenders)



1. Open the trunk.

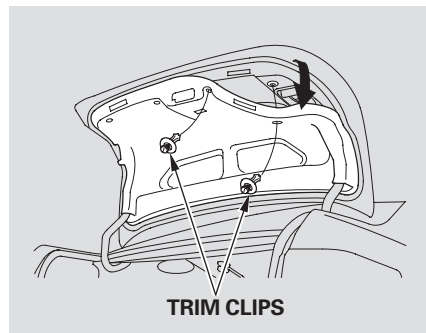
Remove the light assembly cover by pulling its outside edge.

2. Determine which of the two bulbs is burned out: stop/taillight or turn signal.
3. Remove the socket by turning it one-quarter turn counterclockwise.
4. Pull the bulb straight out of its socket.  
Push the new bulb straight into the socket until it bottoms.
5. Reinstall the socket into the light assembly by turning it clockwise until it locks.
6. Test the lights to make sure the new bulb is working.
7. Install the light assembly cover. Make sure it snaps into place.

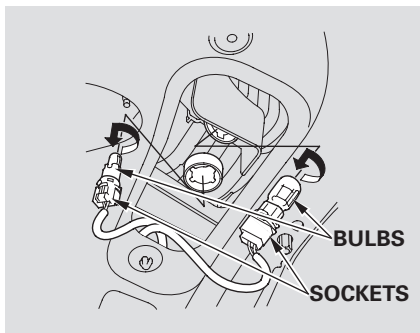


# Lights

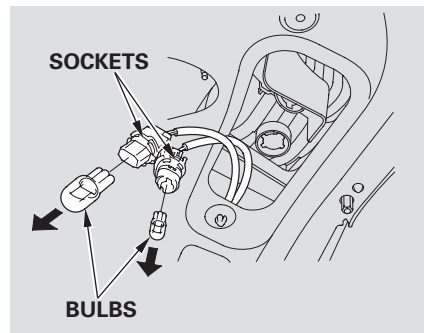
## Replacing Rear Bulbs (in Trunk Lid)



1. Open the trunk.
2. *6-cylinder models*  
Remove the trim clips from the right or left corner of the trunk lid trim by carefully prying them using a small, flat-tip screwdriver wrapped with tape.
3. Carefully bend back the corner of the trunk lid trim to expose the bulbs.

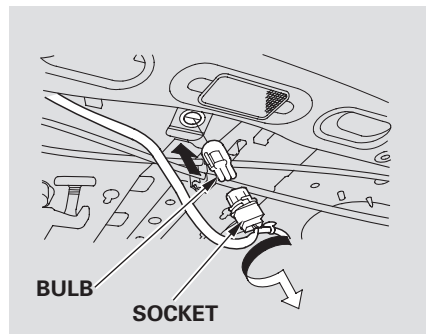


4. Determine which of the two bulbs is burned out: taillight or back-up light.
5. Remove the socket by turning it one-quarter turn counterclockwise.
6. Remove the burned out bulb from the socket by pulling it straight out of its socket.



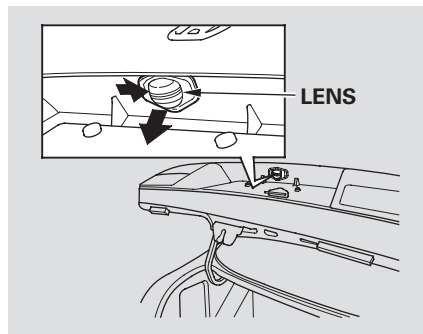
7. Install the new bulb in the socket.
8. Reinstall the socket into the light assembly.
9. Test the lights to make sure the new bulb is working.
10. Push the trunk lid trim back into position.
11. Press the trim clip back into its hole.

## Replacing a High-mount Brake Light Bulb

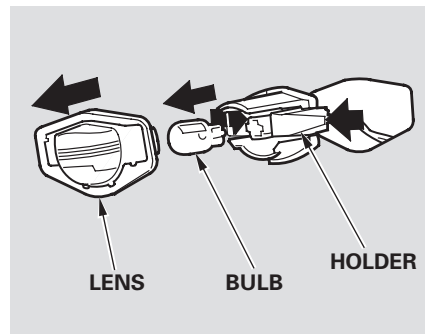


1. Open the trunk and remove the socket from the light assembly by turning it one-quarter turn counter-clockwise.
2. Remove the burned-out bulb by pulling it straight out of the socket.
3. Install the new bulb and reinstall the socket. Make sure the new bulb is working.

## Replacing a Rear License Plate Bulb



1. Remove the license light assembly by carefully prying on the left edge of the lens with a flat-tip screwdriver and pulling the assembly out.



2. Remove the lens from the bulb holder by pulling the lens while squeezing the tabs on both sides of the holder.

*CONTINUED*

# Lights

3. Pull the bulb straight out of its socket. Push the new bulb in until it bottoms in the socket.
4. Turn on the parking lights and check that the new bulb is working.
5. Put the lens back on the bulb holder and push it until it latches.
6. Slide the left side of the light assembly into the hole. Push on the right side to latch the assembly into place.

## Replacing Bulbs in the Interior Lights

The ceiling light, door light and vanity mirror light come apart the same way, but they do not use the same type of bulb.

1. Remove the lens by carefully prying on the edge of the lens with a fingernail file or a small flat-tip screwdriver. Do not pry on the edge of the housing around the lens.

### Door light:

*Not available on DX model*

Pry on the top left or right of the lens.

### Ceiling light:

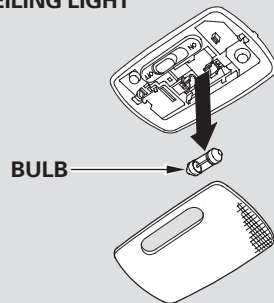
Pry on the front edge of the lens near both sides.

### Spotlights:

*Not available on DX model*

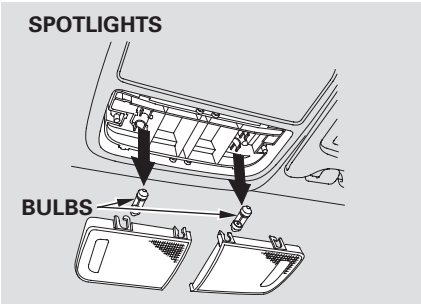
Pry on the inner edge of both spotlights.

## CEILING LIGHT

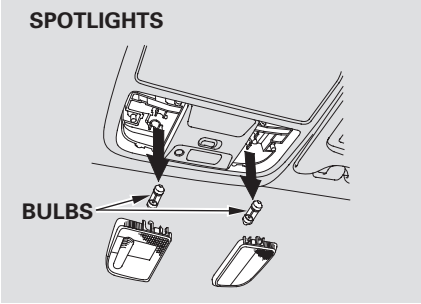


2. Remove the bulb by pulling it straight out of its metal tabs.
3. Push the new bulb into the metal tabs. Carefully snap the lens back in place.

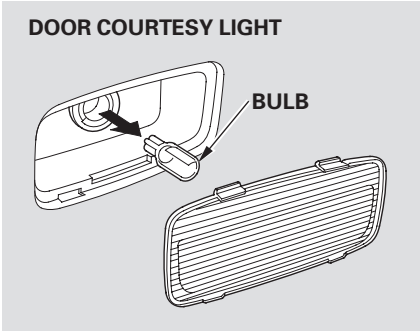
*On LX models*



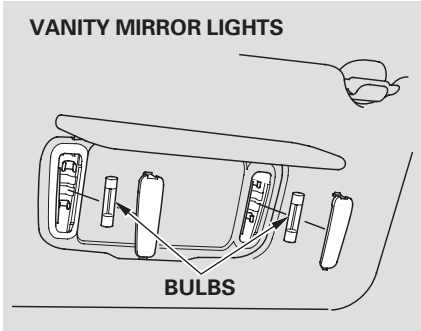
*On EX models*



*On all models except DX*



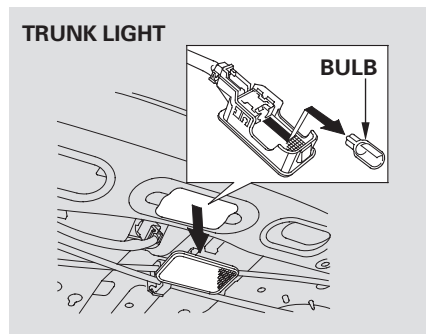
*On all models except DX*



# Lights

---

## Replacing the Trunk Light Bulb



1. Open the trunk. Pull down the right side of the trunk light assembly.
2. Remove the bulb by pulling it straight out of its metal tabs.
3. Push the new bulb into the metal tabs.
4. Push the assembly back in place.

If you need to park your car for an extended period (more than one month), there are several things you should do to prepare it for storage. Proper preparation helps prevent deterioration and makes it easier to get your car back on the road. If possible, store your car indoors.

- Fill the fuel tank.
- Change the engine oil and filter (see page 270).
- Wash and dry the exterior completely.
- Clean the interior. Make sure the carpeting, floor mats, etc. are completely dry.
- Leave the parking brake off. Put the transmission in Reverse (5-speed manual) or Park (automatic).

- Block the rear wheels.
- If the car is to be stored for a longer period, it should be supported on jackstands so the tires are off the ground.
- Leave one window open slightly (if the car is being stored indoors).
- Disconnect the battery.
- Support the front wiper blade arms with a folded towel or rag so they do not touch the windshield.
- To minimize sticking, apply a silicone spray lubricant to all door and trunk seals. Also, apply a car body wax to the painted surfaces that mate with the door and trunk seals.
- Cover the car with a “breathable” cover, one made from a porous material such as cotton.

Nonporous materials, such as plastic sheeting, trap moisture, which can damage the paint.

- If possible, run the engine for a while periodically (preferably once a month).

If you store your car for 1 year or longer, have your Honda dealer perform the inspections as soon as you take it out of storage (see pages 250, 255). The 6-cylinder model needs the inspections called for in the 2 years/30,000 miles (48,000 km) maintenance schedule (Normal Conditions) and the 4-cylinder model needs the inspections called for in the 2 years/40,000 miles (64,000 km) maintenance schedule (Normal Conditions). The replacements called for in the maintenance schedule are not needed unless the car has actually reached that time or mileage.



Regular cleaning and polishing of your Honda helps to keep it “new” looking. This section gives you hints on how to clean your car and preserve its appearance: the paint, brightwork, wheels and interior. Also included are several things you can do to help prevent corrosion.

Exterior Care.....	326
Washing .....	326
Waxing .....	327
Aluminum Wheels .....	327
Paint Touch-up.....	327
Interior Care.....	328
Carpeting .....	328
Floor Mats .....	328
Fabric .....	329
Vinyl .....	329
Leather.....	329
Seat Belts.....	329
Windows .....	330
Air Fresheners.....	330
Corrosion Protection.....	331
Body Repairs .....	332



## Exterior Care

---

### Washing

Frequent washing helps preserve your car's beauty. Dirt and grit can scratch the paint, while tree sap and bird droppings can permanently ruin the finish.

Wash your car in a shady area, not in direct sunlight. If the car is parked in the sun, move it into the shade and let the exterior cool down before you start.

Only use the solvents and cleaners recommended in this Owner's Manual.

#### NOTICE

*Chemical solvents and strong cleaners can damage the paint, metal, and plastic on your car.*

- Rinse the car thoroughly with cool water to remove loose dirt.
  - Fill a bucket with cool water. Mix in a mild detergent, such as dishwashing liquid or a product made especially for car washing.
  - Wash the car using the water and detergent solution and a soft-bristle brush, sponge, or soft cloth. Start at the top and work your way down. Rinse frequently.
  - Check the body for road tar, tree sap, etc. Remove these stains with tar remover or turpentine. Rinse it off immediately so it does not harm the finish. Remember to re-wax these areas, even if the rest of the car does not need waxing.
- When you have washed and rinsed the whole exterior, dry it with a chamois or soft towel. Letting it air-dry will cause dulling and water spots.

As you dry the car, inspect it for chips and scratches that could allow corrosion to start. Repair them with touch-up paint (see page [327](#)).

### **Waxing**

Always wash and dry the whole car before waxing it. You should wax your car, including the metal trim, whenever water sits on the surface in large patches. It should form into beads or droplets after waxing.

You should use a quality liquid or paste wax. Apply it according to the instructions on the container. In general, there are two types of products:

**Waxes** — A wax coats the finish and protects it from damage by exposure to sunlight, air pollution, etc. You should use a wax on your Honda when it is new.

**Polishes** — Polishes and cleaner/waxes can restore the shine to paint that has oxidized and lost some of its shine. They normally contain mild abrasives and solvents that remove the top layer of the finish. You

should use a polish on your Honda if the finish does not have its original shine after using a wax.

Cleaning tar, insects, etc. with removers also takes off the wax. Remember to re-wax those areas, even if the rest of the car does not need waxing.

### **Aluminum Wheels**

*All EX models*

Clean your Honda's aluminum alloy wheels as you do the rest of the exterior. Wash them with the same solution, and rinse them thoroughly.

The wheels have a protective clear-coat that keeps the aluminum from corroding and tarnishing. Using harsh chemicals, including some commercial wheel cleaners, or stiff brushes can damage this clear-coat. Only use a mild detergent and soft brush or sponge to clean the wheels.

### **Paint Touch-up**

Your dealer has touch-up paint to match your car's color. The color code is printed on a sticker on the driver's doorjamb. Take this code to your dealer so you are sure to get the correct color.

Inspect your car frequently for chips or scratches in the paint. Repair them right away to prevent corrosion of the metal underneath. Use the touch-up paint only on small chips and scratches. More extensive paint damage should be repaired by a professional.

## Interior Care

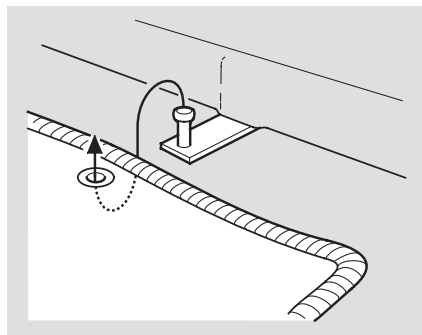
---

### **Carpeting**

Vacuum the carpeting frequently to remove dirt. Ground-in dirt will make the carpet wear out faster.

Periodically shampoo the carpet to keep it looking new. Use one of the foam-type carpet cleaners on the market. Follow the instructions that come with the cleaner, applying it with a sponge or soft brush. Keep the carpeting as dry as possible by not adding water to the foam.

### **Floor Mats**



The Honda driver's floor mat that came with your car was designed to be hooked over the floor mat anchor. This keeps the floor mat from sliding forward and possibly interfering with the pedals.

If you remove the floor mat, make sure to re-anchor it when you put it back in your car.

If you replace it, use a genuine Honda floor mat that is designed to be used with the floor mat anchors in your car.

If you use a non-Honda floor mat in the driver's footwell, make sure it fits properly and that it can be used with the floor mat anchor.

Do not put additional floor mats on top of the anchored mat, otherwise the additional mats may slide forward and interfere with the pedals.

### Fabric

Vacuum dirt and dust out of the material frequently. For general cleaning, use a solution of mild soap and lukewarm water, letting it air dry. To clean off stubborn spots, use a commercially-available fabric cleaner. Test it on a hidden area of the fabric first, to make sure it does not bleach or stain the fabric. Follow the instructions that come with the cleaner.

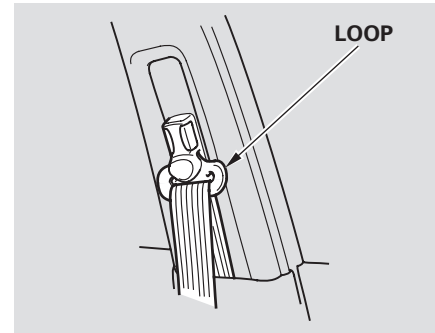
### Vinyl

Remove dirt and dust with a vacuum cleaner. Wipe the vinyl with a soft cloth dampened in a solution of mild soap and water. Use the same solution with a soft-bristle brush on more difficult spots. You can also use commercially-available spray or foam-type vinyl cleaners.

### Leather

*On EX with leather and EX-V6 models*  
Vacuum dirt and dust from the leather frequently. Pay particular attention to the pleats and seams. Clean the leather with a soft cloth dampened with clear water, then buff it with a clean, dry cloth. If further cleaning is needed, use a soap specifically for leather, such as saddle soap. Apply this soap with a damp, soft cloth. Wipe down and buff as described above.

### Seat Belts



If your seat belts get dirty, you can use a soft brush with a mixture of mild soap and warm water to clean them. Do not use bleach, dye, or cleaning solvents. They can weaken the belt material. Let the belts air-dry before you use the car.

*CONTINUED*

## Interior Care

---

Dirt build-up in the loops of the seat belt anchors can cause the belts to retract slowly. Wipe the insides of the loops with a clean cloth dampened in mild soap and warm water or isopropyl alcohol.

### Windows

Clean the windows, inside and out, with a commercially-available glass cleaner. You can also use a mixture of one part white vinegar to ten parts water. This will remove the haze that builds up on the inside of the windows. Use a soft cloth or paper towels to clean all glass and clear plastic surfaces.

#### NOTICE

*The rear window defogger and antenna wires are bonded to the inside of the glass. Wiping vigorously up-and-down can dislodge and break these wires. When cleaning the rear window, use gentle pressure and wipe side-to-side.*

### Air Fresheners

If you want to use an air freshener/deodorizer in the interior of your car, it is best to use a solid type. Some liquid air fresheners contain chemicals that may cause parts of the interior trim and fabric to crack or discolor.

If you use a liquid air freshener, make sure you fasten it securely so it does not spill as you drive.

Two factors normally contribute to causing corrosion in your car:

1. Moisture trapped in body cavities. Dirt and road salt that collects in hollows on the underside of the car stays damp, promoting corrosion in that area.
2. Removal of paint and protective coatings from the exterior and underside of the car.

Many corrosion-preventive measures are built into your Honda. You can help keep your car from corroding by performing some simple periodic maintenance:

- Repair chips and scratches in the paint as soon as you discover them.
  - Inspect and clean out the drain holes in the bottom of the doors and body.
  - Check the floor coverings for dampness. Carpeting and floor mats may remain damp for a long time, especially in winter. This dampness can eventually cause the floor panels to corrode.
- Use a high-pressure spray to clean the underside of your car. This is especially important in areas that use road salt in winter. It is also a good idea in humid climates and areas subject to salt air. Be careful not to damage the ABS wheel sensors and wiring at each wheel.
  - Have the corrosion-preventive coatings on the underside of your car inspected and repaired periodically.

## Body Repairs

---

Body repairs can affect your car's resistance to corrosion. If your car needs repairs after a collision, pay close attention to the parts used in the repair and the quality of the work.

Make sure the repair facility uses genuine Honda replacement body parts. Some companies make sheet metal pieces that seem to duplicate the original Honda body parts, but are actually inferior in fit, finish, and corrosion resistance. Once installed, they do not give the same high-quality appearance.

When reporting your collision to the insurance company, tell them you want genuine Honda parts used in the repair. Although most insurers recognize the quality of original parts, some may try to specify that the repairs be done with other available parts. You should investigate this before any repairs have begun.

Take your car to your authorized Honda dealer for inspection after the repairs are completed. Your dealer can make sure that quality materials were used, and that corrosion-preventive coatings were applied to all repaired and replaced parts.

This section covers the more-common problems that motorists experience with their cars. It gives you information about how to safely evaluate the problem and what to do to correct it. If the problem has stranded you on the side of the road, you may be able to get going again. If not, you will also find instructions on getting your car towed.

Compact Spare Tire.....	334
Changing a Flat Tire .....	335
If Your Engine Won't Start.....	340
Nothing Happens or the Starter Motor Operates Very Slowly.....	340
The Starter Operates Normally .....	341
Jump Starting .....	342
If Your Engine Overheats.....	345
Low Oil Pressure Indicator .....	347
Charging System Indicator.....	348
Malfunction Indicator Lamp .....	349
Readiness Codes.....	350
Brake System Indicator .....	351
Closing the Moonroof .....	352
Fuses .....	353
Checking and Replacing .....	354
Emergency Towing .....	358



## Compact Spare Tire

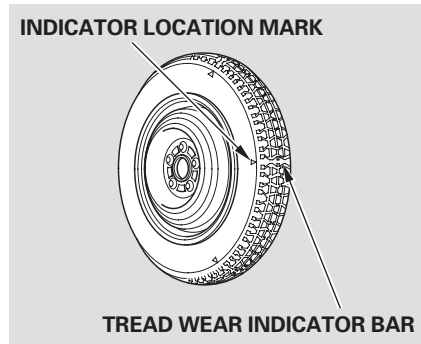
Your car has a compact spare tire that takes up less space. Use this spare tire as a temporary replacement only. Get your regular tire repaired or replaced and put it back on your car as soon as you can.

Check the inflation pressure of the compact spare tire every time you check the other tires. It should be inflated to:  
60 psi (420 kPa , 4.2 kgf/cm<sup>2</sup>)

Follow these precautions whenever you are using the compact spare tire:

- Do not exceed 50 mph (80 km/h) under any circumstances.

- This tire gives a harsher ride and less traction on some road surfaces than the regular tire. Use greater caution while driving on this tire.
- Do not mount snow chains on the compact spare.
- The wheel of the compact spare tire is designed especially to fit your car. Do not use your spare tire on another car unless it is the same make and model.
- *On all LX-V6 and EX-V6 models*  
Turn off the Traction Control System (see page 232 ). Driving with the compact spare tire may activate the TCS.



The compact spare tire has a shorter tread life than a regular tire. Replace it when you can see the tread wear indicator bars. The replacement should be the same size and design tire, mounted on the same wheel. The compact spare tire is not designed to be mounted on a regular wheel, and the compact wheel is not designed for mounting a regular tire.

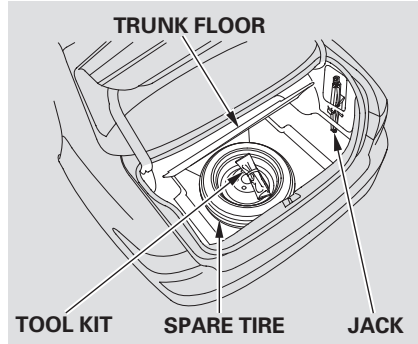
## Changing a Flat Tire

If you have a flat tire while driving, stop in a safe place to change it. Stopping in traffic or on the shoulder of a busy road is dangerous. Drive slowly along the shoulder until you get to an exit or an area to stop that is far away from the traffic lanes.

### **⚠ WARNING**

The car can easily roll off the jack, seriously injuring anyone underneath.

Follow the directions for changing a tire exactly, and never get under the car when it is supported only by the jack.



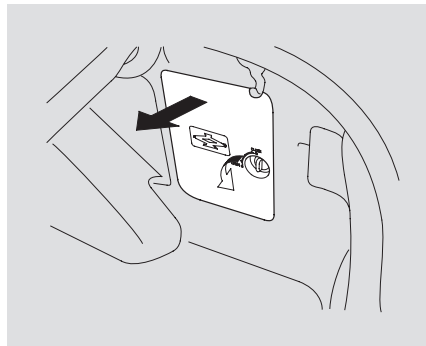
1. Park the car on firm, level and non-slippery ground away from traffic. Put the transmission in Park (automatic) or Reverse (manual). Apply the parking brake.
2. Turn on the hazard warning lights and turn the ignition switch to LOCK (0). Have all the passengers get out of the car while you change the tire.

3. Open the trunk. Raise the trunk floor by lifting up on the back edge.
4. Take the tool kit out of the trunk.
5. Unscrew the wing bolt and take the spare tire out of its well.

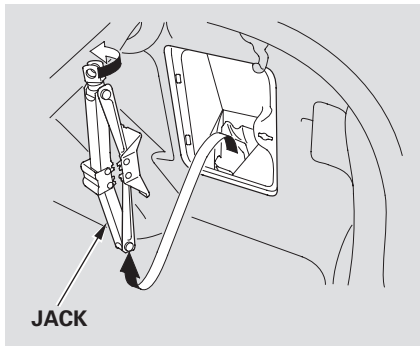
*CONTINUED*

## Changing a Flat Tire

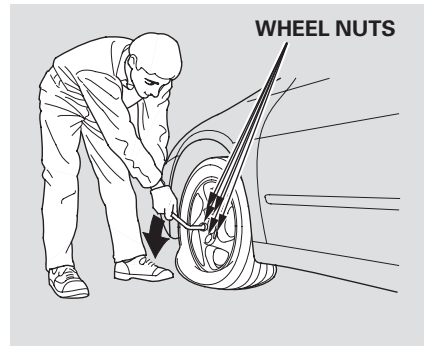
---



6. The jack is behind a cover in the right fender. Remove the cover by turning the handle counterclockwise, then pulling on the cover.

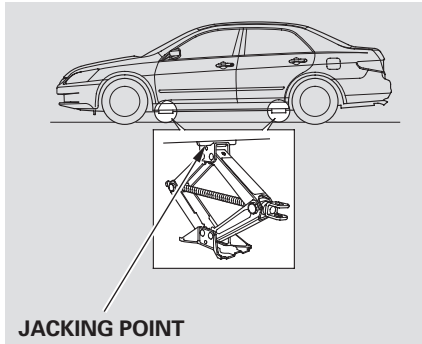


7. Turn the jack's end bracket counterclockwise to loosen it, then remove the jack.

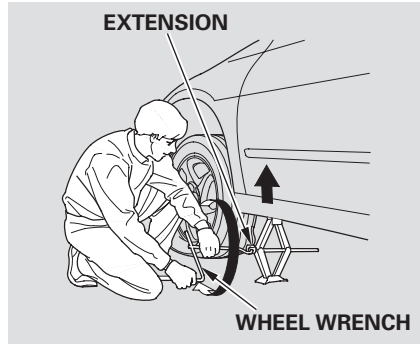


8. Loosen the five wheel nuts 1/2 turn with the wheel wrench.

## Changing a Flat Tire



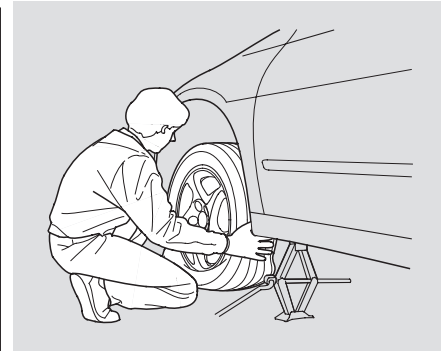
9. Locate the jacking point nearest the tire you need to change. Place the jack under the jacking point. Turn the end bracket clockwise until the top of the jack contacts the jacking point. Make sure the jacking point tab is resting in the jack notch.



10. Use the extension and wheel wrench as shown to raise the car until the flat tire is off the ground.

*U.S. DX and LX models:*

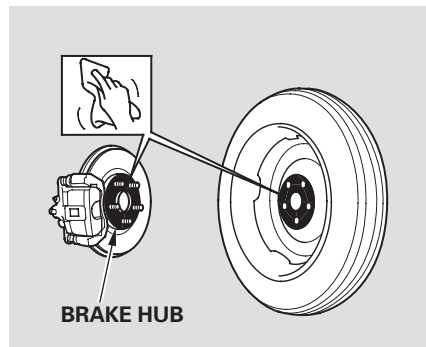
Do not attempt to forcibly pry the wheel cover off with a screwdriver or other tool. The wheel cover cannot be removed without first removing the wheel nuts.



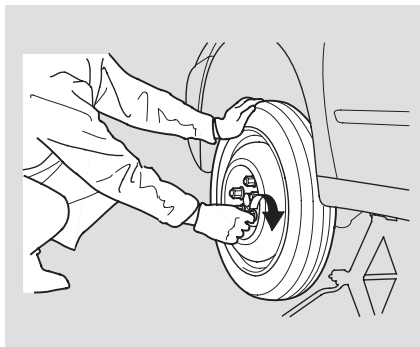
11. Remove the wheel nuts and flat tire. Temporarily place the flat tire on the ground with the outside surface of the wheel facing up. You could scratch the wheel if you put it face down.

*CONTINUED*

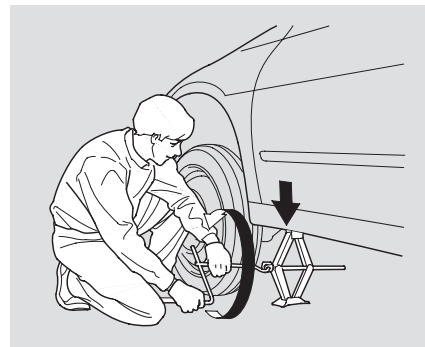
## Changing a Flat Tire



12. Before mounting the spare tire, wipe any dirt off the mounting surface of the wheel and hub with a clean cloth. Wipe the hub carefully, it may be hot from driving.

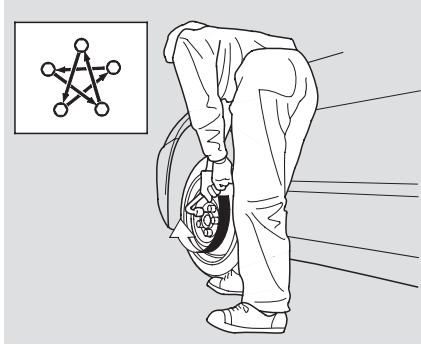


13. Put on the spare tire. Put the wheel nuts back on finger-tight, then tighten them in a crisscross pattern with the wheel wrench until the wheel is firmly against the hub. Do not try to tighten them fully.

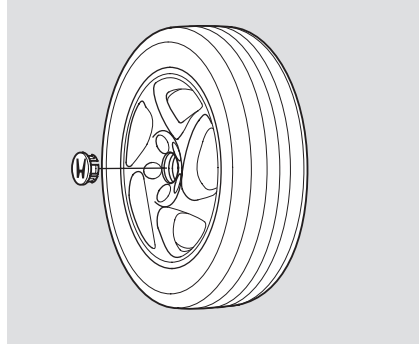


14. Lower the car to the ground and remove the jack.

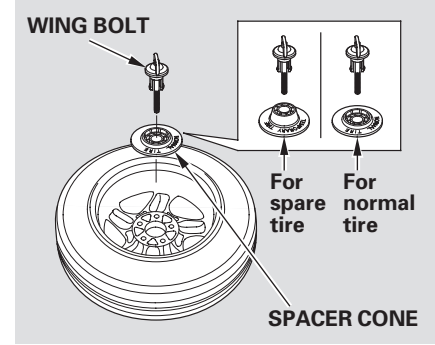
## Changing a Flat Tire



15. Tighten the wheel nuts securely in the same crisscross pattern. Have the wheel nut torque checked at the nearest automotive service facility.  
Tighten the wheel nuts to:  
80 lbf-ft (108 N·m , 11 kgf·m)



16. *LX, EX, and EX-V6 models*  
Remove the center cap before storing the flat tire in the trunk well.



17. Place the flat tire face down in the spare tire well.
18. Remove the spacer cone from the wing bolt, turn it over, and put it back on the bolt.
19. Secure the flat tire by screwing the wing bolt back into its hole.

CONTINUED

## Changing a Flat Tire, If Your Engine Won't Start

---

20. Store the jack in its holder. Turn the jack's end bracket to lock it in place. Replace the cover. Store the tools.

### **WARNING**

Loose items can fly around the interior in a crash and could seriously injure the occupants.

Store the wheel, jack, and tools securely before driving.

21. Store the wheel cover or center cap in the trunk. Make sure it does not get scratched or damaged.

### **If Your Engine Won't Start**

Diagnosing why your engine won't start falls into two areas, depending on what you hear when you turn the key to START (III):

- You hear nothing, or almost nothing. The engine's starter motor does not operate at all, or operates very slowly.
- You can hear the starter motor operating normally, or the starter motor sounds like it is spinning faster than normal, but the engine does not start up and run.

### **Nothing Happens or the Starter Motor Operates Very Slowly**

When you turn the ignition switch to START (III), you do not hear the normal noise of the engine trying to start. You may hear a clicking sound or series of clicks, or nothing at all. Check these things:

- Check the transmission interlock. If you have a manual transmission, the clutch pedal must be pushed all the way to the floor or the starter will not operate. With an automatic transmission, it must be in Park or Neutral.
- Turn the ignition switch to ON (II). Turn on the headlights and check their brightness. If the headlights are very dim or don't light at all, the battery is discharged. See **Jump Starting** on page [342](#).

- Turn the ignition switch to START (III). If the headlights do not dim, check the condition of the fuses. If the fuses are OK, there is probably something wrong with the electrical circuit for the ignition switch or starter motor. You will need a qualified technician to determine the problem. (See **Emergency Towing** on page 358.)

If the headlights dim noticeably or go out when you try to start the engine, either the battery is discharged or the connections are corroded. Check the condition of the battery and terminal connections (see page 294). You can then try jump starting the car from a booster battery (see page 342).

### The Starter Operates Normally

In this case, the starter motor's speed sounds normal, or even faster than normal, when you turn the ignition switch to START (III), but the engine does not run.

- Are you using the proper starting procedure? Refer to **Starting the Engine** on page 219.
- Your car has the Immobilizer System. You should use a properly-coded master or valet key to start the engine (see page 76). A key that is not properly coded will cause the immobilizer system indicator in the dash panel to blink rapidly.

- Do you have fuel? Turn the ignition switch to ON (II) for a minute and watch the fuel gauge. The low fuel level warning light may not be working, so you were not reminded to fill the tank.
- There may be an electrical problem, such as no power to the fuel pump. Check all the fuses (see page 353).

If you find nothing wrong, you will need a qualified technician to find the problem. See **Emergency Towing** on page 358.



## Jump Starting

---

If your car's battery has run down, you may be able to start the engine by using a booster battery. Although this seems like a simple procedure, you should take several precautions.

### **WARNING**

A battery can explode if you do not follow the correct procedure, seriously injuring anyone nearby.

Keep all sparks, open flames, and smoking materials away from the battery.

You cannot start a Honda with an automatic transmission by pushing or pulling it.

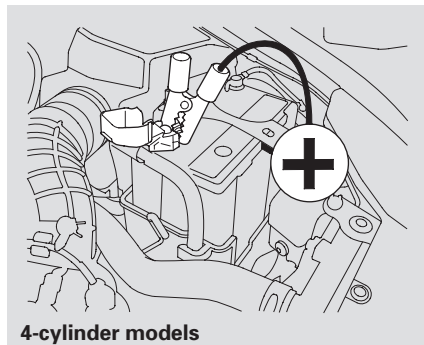
To jump start your car, follow these directions closely:

1. Open the hood and check the physical condition of the battery (see page 294 ). In very cold weather, check the condition of the electrolyte. If it seems slushy or like ice, do not try jump starting until it thaws.

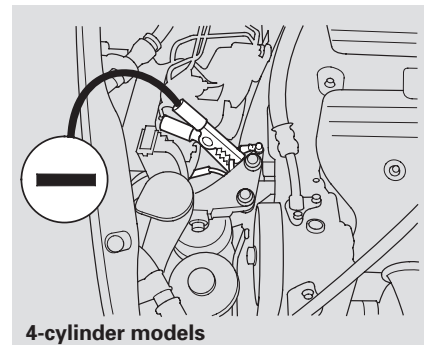
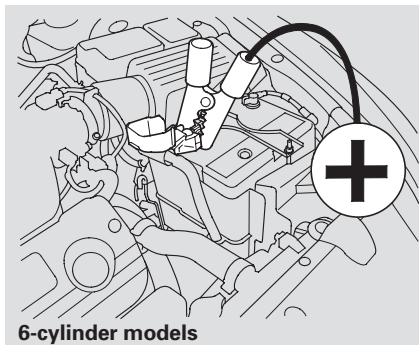
### **NOTICE**

*If a battery sits in extreme cold, the electrolyte inside can freeze. Attempting to jump start with a frozen battery can cause it to rupture.*

2. Turn off all the electrical accessories: climate control, stereo system, lights, etc.  
Put the transmission in Neutral or Park, and set the parking brake.



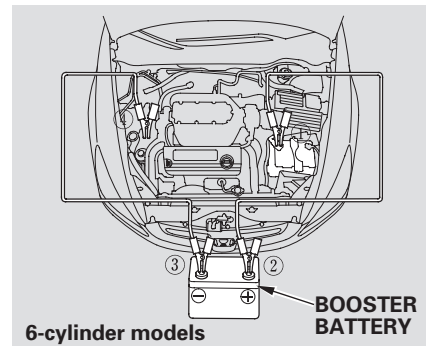
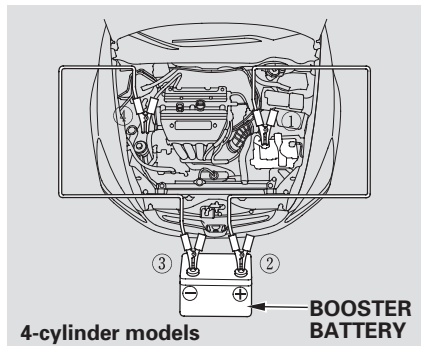
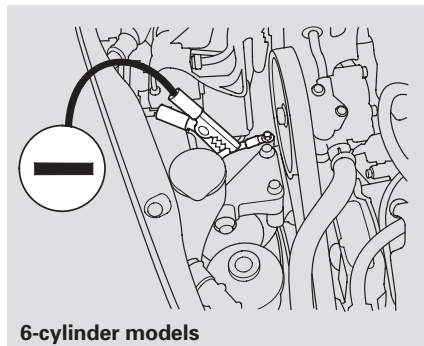
3. Connect one jumper cable to the positive (+) terminal on your Honda's battery. Connect the other end to the positive (+) terminal on the booster battery.



4. Connect the second jumper cable to the negative (-) terminal on the booster battery. Connect the other end to the grounding strap as shown. Do not connect this jumper cable to any other part of the engine.

*CONTINUED*

## Jump Starting



The numbers in the illustrations show you the order to connect the jumper cables.

5. If the booster battery is in another vehicle, have an assistant start that vehicle and run it at a fast idle.
6. Start your car. If the starter motor still operates slowly, check the jumper cable connections to make sure they have good metal-to-metal contact.

7. Once your car is running, disconnect the negative cable from your car, then from the booster battery. Disconnect the positive cable from your car, then the booster battery.

Keep the ends of the jumper cables away from each other and any metal on the car until all are disconnected. Otherwise, you may cause an electrical short.

The pointer of your car's temperature gauge should stay in the mid-range under most conditions. It may go higher if you are driving up a long steep hill on a very hot day. If it climbs to the red mark, you should determine the reason.

### NOTICE

*Driving with the temperature gauge pointer at the red mark can cause serious damage to your engine.*

Your car can overheat for several reasons, such as lack of coolant or a mechanical problem. The only indication may be the temperature gauge climbing to or above the red mark. Or you may see steam or spray coming from under the hood. In either case, you should take immediate action.

### WARNING

Steam and spray from an overheated engine can seriously scald you.

Do not open the hood if steam is coming out.

1. Safely pull to the side of the road. Put the transmission in Neutral or Park, and set the parking brake. Turn off the heating and cooling system and all other accessories. Turn on the hazard warning indicators.
2. If you see steam and/or spray coming from under the hood, turn off the engine.
3. If you do not see steam or spray, leave the engine running and watch the temperature gauge. If the high heat is due to overloading (climbing a long, steep hill on a hot day with the A/C running, for example), the engine should start to cool down almost immediately. If it does, wait until the temperature gauge comes down to the mid-point then continue driving.

*CONTINUED*

## If Your Engine Overheats

---

4. If the temperature gauge stays at the red mark, turn off the engine.
5. Wait until you see no more signs of steam or spray, then open the hood.
6. Look for any obvious coolant leaks, such as a split radiator hose. Everything is still extremely hot, so use caution. If you find a leak, it must be repaired before you continue driving (see **Emergency Towing** on page 358 ).
7. If you don't find an obvious leak, check the coolant level in the radiator reserve tank (see page 210 ). If the level is below the MIN mark, add coolant to halfway between the MIN and MAX marks.
8. If there was no coolant in the reserve tank, you may also have to add coolant to the radiator. Let the engine cool down until the pointer

reaches the middle of the temperature gauge, or lower, before checking the radiator.

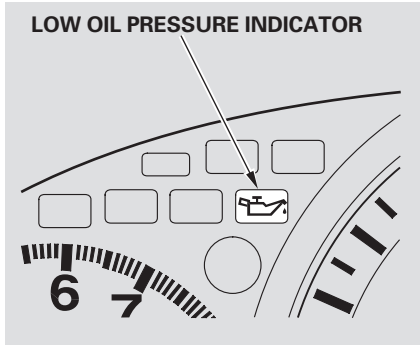
### **WARNING**

Removing the radiator cap while the engine is hot can cause the coolant to spray out, seriously scalding you.

Always let the engine and radiator cool down before removing the radiator cap.

9. Using gloves or a large heavy cloth, turn the radiator cap counterclockwise, without pushing down, to the first stop. This releases any remaining pressure in the cooling system. After the pressure releases, push down on the cap and turn it until it comes off.

10. Start the engine and set the temperature control dial to maximum (climate control to FULL AUTO at 90°F/32°C). Add coolant to the radiator up to the base of the filler neck. If you do not have the proper coolant mixture available, you can add plain water. Remember to have the cooling system drained and refilled with the proper mixture as soon as you can.
11. Put the radiator cap back on tightly. Run the engine and watch the temperature gauge. If it goes back to the red mark, the engine needs repair. (See **Emergency Towing** on page 358 .)
12. If the temperature stays normal, check the coolant level in the radiator reserve tank. If it has gone down, add coolant to the MAX mark. Put the cap back on tightly.



This indicator should light when the ignition switch is ON (II), and go out after the engine starts. It should never come on when the engine is running. If it starts flashing, it indicates that the oil pressure dropped very low for a moment, then recovered. If the indicator stays on with the engine running, it shows that the engine has lost oil pressure and serious engine damage is possible. In either case, you should take immediate action.

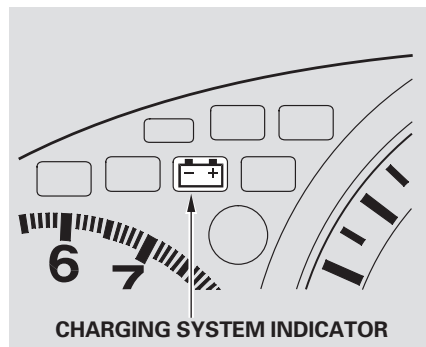
### NOTICE

*Running the engine with low oil pressure can cause serious mechanical damage almost immediately. Turn off the engine as soon as you can safely get the car stopped.*

1. Safely pull off the road and shut off the engine. Turn on the hazard warning indicators.
2. Let the car sit for a minute. Open the hood and check the oil level (see page 208 ). Although oil level and oil pressure are not directly connected, an engine that is very low on oil can lose pressure during cornering and other driving maneuvers.
3. If necessary, add oil to bring the level back to the full mark on the dipstick (see page 268 ).
4. Start the engine and watch the oil pressure indicator. If the light does not go out within ten seconds, turn off the engine. There is a mechanical problem that needs to be repaired before you can continue driving. (See **Emergency Towing** on page 358 .)

## Charging System Indicator

---

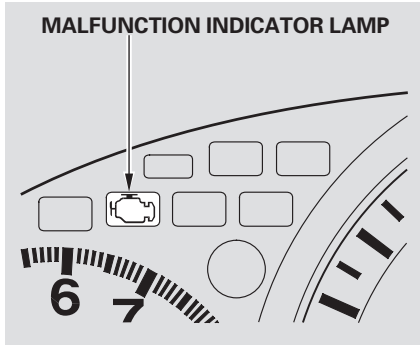


This indicator should come on when the ignition switch is ON (II), and go out after the engine starts. If it comes on brightly when the engine is running, it indicates that the charging system has stopped charging the battery.

Immediately turn off all electrical accessories: radio, heater, A/C, rear defogger, cruise control, etc. Try not to use other electrically-operated controls such as the power windows. Keep the engine running and take extra care not to stall it. Starting the engine will discharge the battery rapidly.

By eliminating as much of the electrical load as possible, you can drive several miles (kilometers) before the battery is too discharged to keep the engine running. Drive to a service station or garage where you can get technical assistance.

## Malfunction Indicator Lamp



This indicator should light when the ignition switch is ON (II), and go out after the engine starts. If it comes on at any other time, it indicates one of the engine's emissions control systems may have a problem. Even though you may feel no difference in your car's performance, it can reduce your fuel economy and cause your car to put out excessive emissions. Continued operation may cause serious damage.

If you have recently refueled your car, the cause of this indicator coming on could be a loose or missing fuel fill cap. Check the cap and tighten it until it clicks several times. Replace the fuel fill cap if it is missing. Tightening the cap will not make the indicator turn off immediately; it takes at least three driving trips.

If the indicator remains on past three driving trips, or the fuel cap was not loose or missing, have the car checked by the dealer as soon as possible. Drive moderately until the dealer has inspected the problem. Avoid full-throttle acceleration and driving at high speed.

You should also have the dealer inspect your car if this indicator comes on repeatedly, even though it may turn off as you continue driving.

### NOTICE

*If you keep driving with the malfunction indicator lamp on, you can damage your car's emissions controls and engine. Those repairs may not be covered by your car's warranties.*



## Malfunction Indicator Lamp

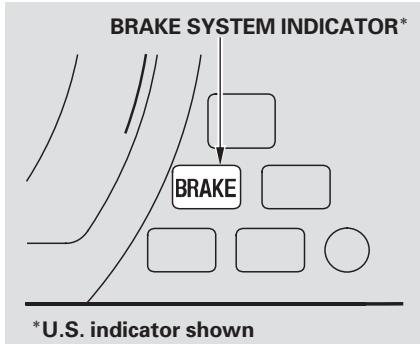
---

### Readiness Codes

Your car has certain “readiness codes” that are part of the on-board diagnostics for the emissions systems. In some states, part of the emissions testing is to make sure these codes are set. If they are not set, the test cannot be completed.

If your car’s battery has been disconnected or gone dead, these codes are erased. It takes several days of driving under various conditions to set the codes again.

If possible, do not take your car for a state emissions test until the readiness codes are set. To check if they are set, turn the ignition ON (II), but do not start the engine. The Malfunction Indicator Lamp will come on for 20 seconds. If it then goes off, the readiness codes are set. If it blinks 5 times, the readiness codes are not set. See State Emissions Testing on pages [374](#) and [375](#) .



The Brake System Indicator normally comes on when you turn the ignition switch ON (II). It is a reminder to check the parking brake. It comes on and stays lit if you do not fully release the parking brake.

If it comes on at any other time, it indicates a problem with the car's brake system. In most cases, the problem is a low fluid level in the brake fluid reservoir. Press lightly on the brake pedal to see if it feels normal. If it does, check the brake fluid level the next time you stop at a service station (see page 284). If the fluid level is low, take the car to your dealer and have the brake system inspected for leaks or worn brake pads.

However, if the brake pedal does not feel normal, you should take immediate action. Because of the brake system's dual-circuit design, a problem in one part of the system will still give you braking at two wheels. You will feel the brake pedal go down much farther before the car begins to slow down, and you will have to press harder on the pedal. The distance needed to stop will be much longer.

Slow down by shifting to a lower gear, and pull to the side of the road when it is safe. Because of the longer distance needed to stop, it is hazardous to drive the car. You should have it towed, and repaired as soon as possible. (See **Emergency Towing** on page 358.)

If you must drive the car a short distance in this condition, drive slowly and cautiously.

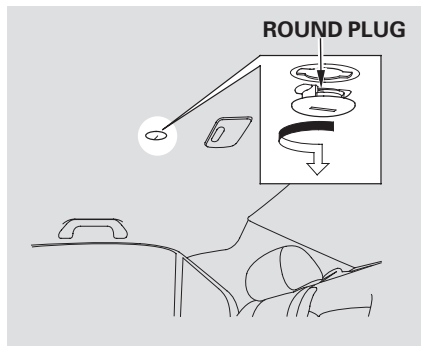
If the ABS indicator comes on with this indicator, have the car inspected by your Honda dealer immediately.

## Closing the Moonroof

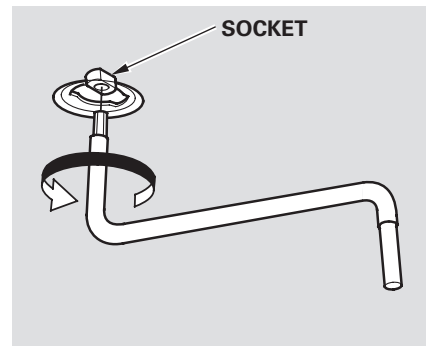
*On all EX and EX-V6 models*

If the electric motor will not close the moonroof, do the following:

1. Check the fuse for the moonroof motor (see page 357 ). If the fuse is blown, replace it with one of the same or lower rating.
2. Try closing the moonroof. If the new fuse blows immediately or the moonroof motor still does not operate, you can close the moonroof manually.
3. Get the moonroof wrench out of the tool kit in the trunk.

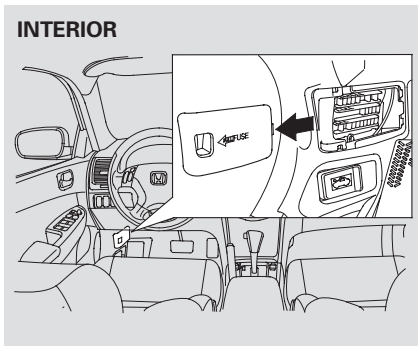


4. Use a screwdriver or coin to remove the round plug in the center of the headliner.

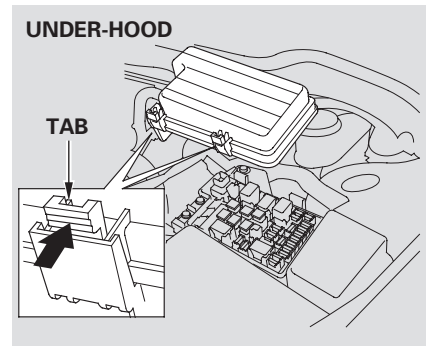


5. Insert the moonroof wrench into the socket behind this plug. Turn the wrench until the moonroof is fully closed.
6. Remove the wrench. Reinstall the round plug.

All the electrical circuits in your car have fuses to protect them from a short circuit or overload. These fuses are located in two fuse boxes.



The interior fuse box is on the driver's lower left side. To remove the fuse box lid, pull it toward you and take it out of its hinges.



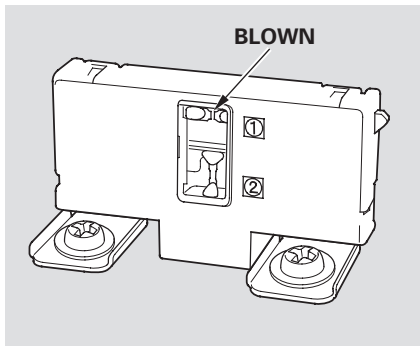
The under-hood fuse box is located near the back of the engine compartment on the driver's side. To open it, push the tabs as shown.

# Fuses

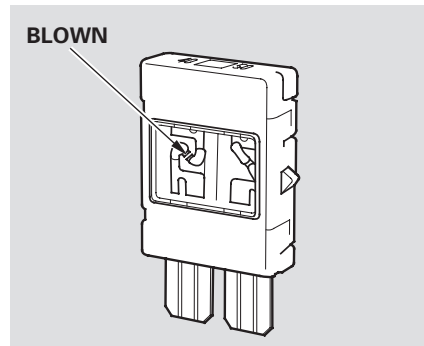
## Checking and Replacing Fuses

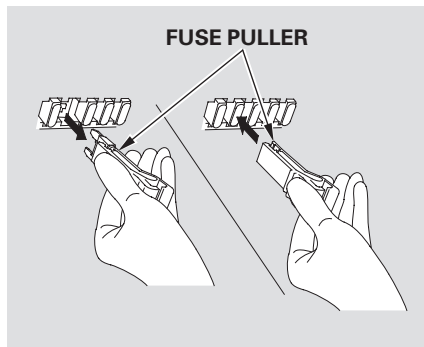
If something electrical in your car stops working, the first thing you should check for is a blown fuse. Determine from the chart on pages [356](#) and [357](#), or the diagram on the fuse box lid, which fuse or fuses control that component. Check those fuses first, but check all the fuses before deciding that a blown fuse is not the cause. Replace any blown fuses and check the component's operation.

1. Turn the ignition switch to LOCK (0). Make sure the headlights and all other accessories are off.
2. Remove the cover from the fuse box.

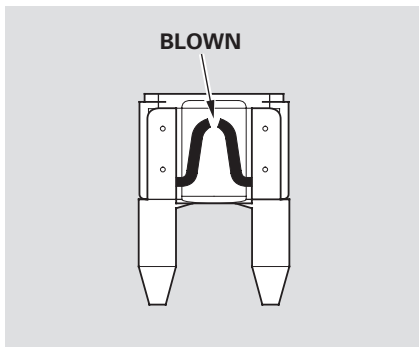


3. Check each of the large fuses in the under-hood fuse box by looking at the wire inside. Removing these fuses requires a Phillips-head screwdriver.





4. Check the smaller fuses in the under-hood fuse box and all the fuses in the interior fuse box by pulling out each fuse with the fuse puller provided in the under-hood fuse box.



5. Look for a burned wire inside the fuse. If it is burned, replace it with one of the spare fuses of the same rating or lower.

If you cannot drive the car without fixing the problem, and you do not have a spare fuse, take a fuse of the same rating or a lower rating from one of the other circuits. Make sure you can do without that circuit temporarily (such as the accessory power socket or radio).

If you replace the blown fuse with a spare fuse that has a lower rating, it might blow out again. This does not indicate anything wrong. Replace the fuse with one of the correct rating as soon as you can.

## NOTICE

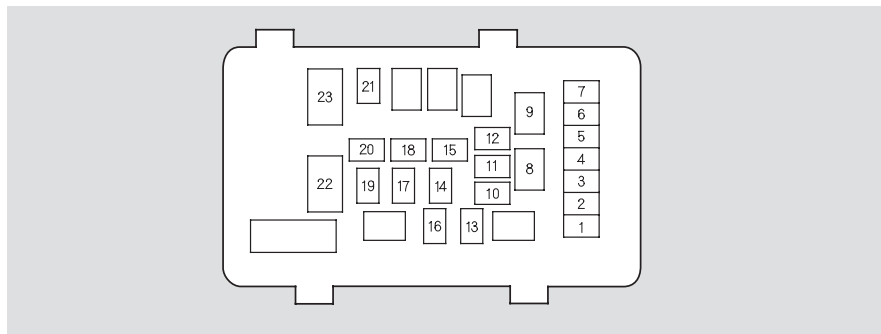
*Replacing a fuse with one that has a higher rating greatly increases the chances of damaging the electrical system. If you do not have a replacement fuse with the proper rating for the circuit, install one with a lower rating.*

6. If the replacement fuse of the same rating blows in a short time, there is probably a serious electrical problem in your car. Leave the blown fuse in that circuit and have your car checked by a qualified mechanic.

*CONTINUED*

# Fuses

## UNDER-HOOD FUSE/RELAY BOX



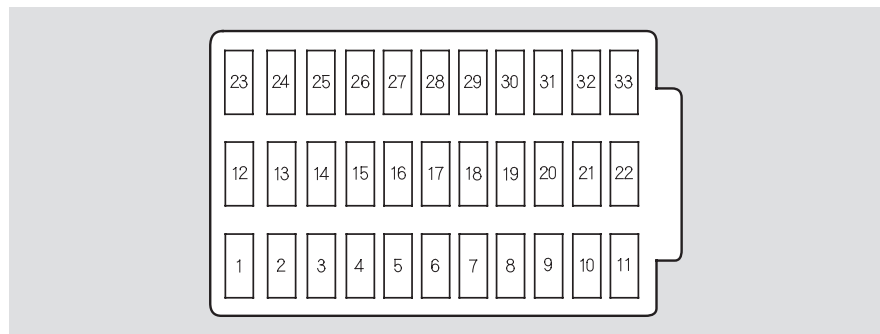
No.	Amps.	Circuits Protected
1	10 A	Left Headlight Low
2	(30A)	(Rear Defroster Coil)
3	10 A	Left Headlight Hi
4	15 A	Small Light
5	10 A	Right Headlight Hi

No.	Amps.	Circuits Protected
6	10 A	Right Headlight Low
7	7.5 A	Back Up
8	15 A	FI ECU
9	20 A	Condenser fan
10	—	Not Used

No.	Amps.	Circuits Protected
11	20 A	Cooling Fan
11*	30 A	Cooling Fan
12	7.5 A	MG. Clutch
13	20 A	Horn, Stop
14	40 A	Rear Defroster
15	40 A	Back Up, ACC
16	15 A	Hazard
17	30 A	ABS Motor
17*	30 A	TCS Motor
18	20 A	ABS F/S
18*	40 A	TCS
19	40 A	Heated Seats
20	(40 A)	Condenser Fan
21	40 A	Heater Motor
22	100 A	Battery
	—	Not Used
23	50 A	+ B IG1 Main
	50 A	Power Window Main

\* : 6-cylinder models

## INTERIOR FUSE BOX



No.	Amps.	Circuits Protected
1	(15 A)	Drive by Wire
2	15 A	Ignition Coil
3	(10 A)	Day Light*
4	15 A	Laf Heater
5	10 A	Radio
6	7.5 A	Interior Light

No.	Amps.	Circuits Protected
7	10 A	Back-Up Lights
8	20 A	Door Lock
9	15 A	Front Accessory Sockets
10	7.5 A	IG OPDS
11	30 A	IG Wiper
12	—	Not Used

No.	Amps.	Circuits Protected
13	(20 A)	Passenger's Power Seat Recline
14	(20 A)	Driver's Power Seat Slide
15	(20 A)	Heated Seat
16	(20 A)	Driver's Power Seat Recline
17	(20 A)	Passenger's Power Seat Slide
18	15 A	IG ACG
19	15 A	IG Fuel Pump
20	7.5 A	IG Washer
21	7.5 A	IG Meter
22	10 A	IG SRS
23	7.5 A	IGP (PGM-FI ECU)
24	20 A	Left Rear Power Window
25	20 A	Right Rear Power Window
26	20 A	Right Front Power Window
27	20 A	Driver's Power Window
28	(20 A)	Moonroof
29	—	Not Used
30	7.5 A	IG HAC
31	—	Not Used
32	7.5 A	ACC
33	7.5 A	HAC OP

\* : On Canadian models



## Emergency Towing

---

If your car needs to be towed, call a professional towing service or, if you belong to one, an organization that provides roadside assistance. Never tow your car behind another vehicle with just a rope or chain. It is very dangerous.

There are three popular types of professional towing equipment.

**Flat-bed Equipment** — The operator loads your car on the back of a truck. **This is the best way to transport your Honda.**

**Wheel-lift Equipment** — The tow truck uses two pivoting arms that go under the tires (front or rear) and lift them off the ground. The other two tires remain on the ground. **This is an acceptable way to tow your Honda.**

**Sling-type Equipment** — The tow truck uses metal cables with hooks on the ends. These hooks go around parts of the frame or suspension and the cables lift that end of the car off the ground. Your car's suspension and body can be seriously damaged. **This method of towing is unacceptable.**

If your Honda cannot be transported by flat-bed, it should be towed by wheel-lift equipment with the front wheels off the ground. If due to damage, your car must be towed with the front wheels on the ground, do the following:

*5-speed Manual Transmission:*

- Release the parking brake.
- Shift the transmission to Neutral.

*Automatic Transmission:*

- Release the parking brake.
- Start the engine.
- Shift to D, then to N.
- Turn off the engine.

### NOTICE

*Improper towing preparation will damage the transmission. Follow the above procedure exactly. If you cannot shift the transmission or start the engine (automatic transmission), your car must be transported with the front wheels off the ground.*

With the front wheels on the ground, it is best to tow the car no farther than 50 miles (80 km), and keep the speed below 35 mph (55 km/h).

If you decide to tow your car with all four wheels on the ground, make sure you use a properly-designed and attached tow bar. Prepare the car for towing as described above, and leave the ignition switch in Accessory (I) so the steering wheel does not lock. Make sure the radio and any items plugged into the accessory power socket are turned off so they do not run down the battery.

### NOTICE

*The steering system can be damaged if the steering wheel is locked. Leave the ignition switch in Accessory (I), and make sure the steering wheel turns freely before you begin towing.*

### NOTICE

*Trying to lift or tow your car by the bumpers will cause serious damage. The bumpers are not designed to support the car's weight.*



The diagrams in this section give you the dimensions and capacities of your Honda, and the locations of the identification numbers. It also includes information you should know about your car's tires and emissions control systems.

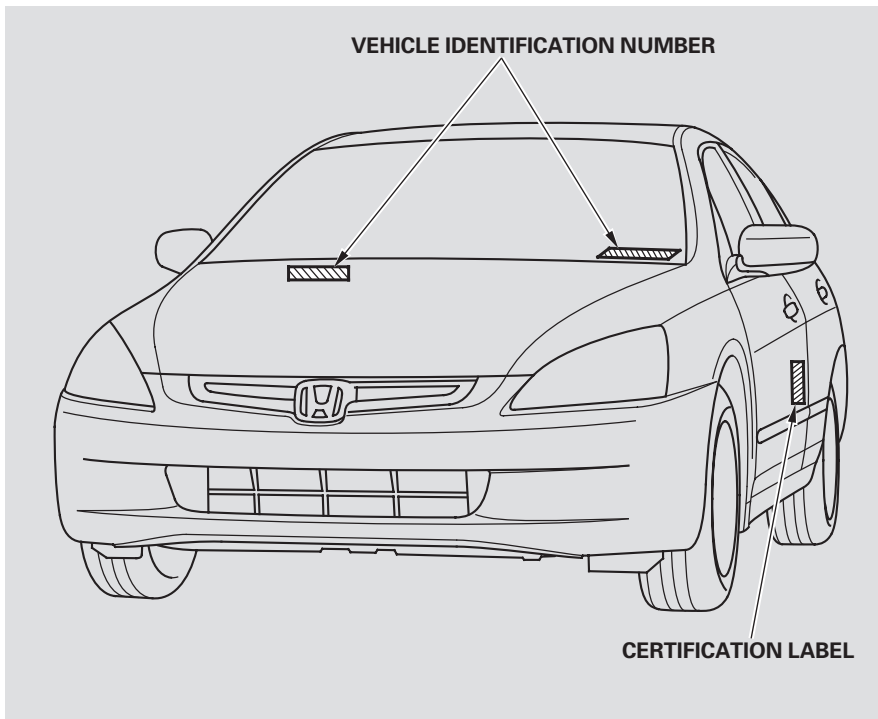
Identification Numbers.....	362	Oxygenated Fuels.....	369
Specifications .....	364	Driving in Foreign Countries .....	370
DOT Tire Quality Grading		Emissions Controls.....	371
(U. S. Cars).....	367	The Clean Air Act.....	371
Treadwear .....	367	Crankcase Emissions Control	
Traction.....	367	System.....	371
Temperature .....	368	Evaporative Emissions Control	
		System.....	371
		Onboard Refueling Vapor	
		Recovery .....	371
		Exhaust Emissions Controls ...	372
		PGM-FI System .....	372
		Ignition Timing Control	
		System.....	372
		Exhaust Gas Recirculation	
		(EGR) System.....	372
		Three Way Catalytic	
		Converter.....	372
		Replacement Parts.....	372
		Three Way Catalytic Converter..	373
		State Emissions Testing .....	374

## Identification Numbers

---

Your car has several identifying numbers located in various places.

The Vehicle Identification Number (VIN) is the 17-digit number your Honda dealer uses to register your car for warranty purposes. It is also necessary for licensing and insuring your car. The easiest place to find the VIN is on a plate fastened to the top of the dashboard. You can see it by looking through the windshield on the driver's side. It is also on the Certification label attached to the driver's doorjamb, and is stamped on the engine compartment bulkhead. The VIN is also provided in bar code on the Certification label.

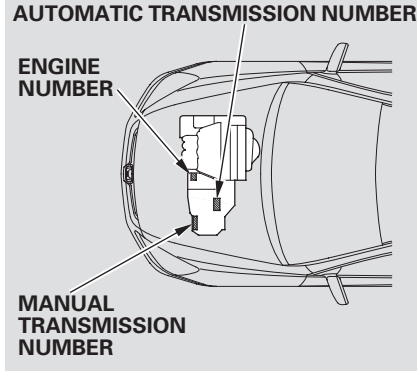


# Identification Numbers

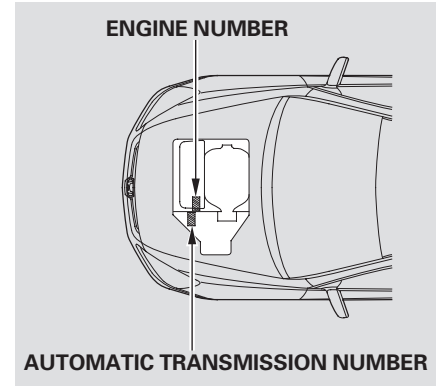
The Engine Number is stamped into the engine block. It is on the front.

The Transmission Number is on a label on top of the transmission.

## 4-cylinder Models



## 6-cylinder Models



# Specifications

## Dimensions

Length	189.5 in (4,813 mm)	
Width	71.7 in (1,820 mm)	
Height	57.2 in (1,453 mm)	
Wheelbase	107.9 in (2,740 mm)	
Track	Front	61.1 in (1,553 mm)
	Rear	61.2 in (1,554 mm)

## Weights

Gross vehicle weight rating	See the certification label attached to the driver's doorjamb.
-----------------------------	--

## Air Conditioning

Refrigerant type	HFC-134a (R-134a)
Charge quantity	25–27 oz (700–750 g) 16–18 oz (450–500 g) <sup>*1</sup>
Lubricant type	ND-OIL8

## Capacities

Fuel tank	Approx. 17.09 US gal (64.7 ℓ)
-----------	----------------------------------

\* 1 : 6-cylinder models

## Capacities

Engine coolant	Change <sup>*2</sup>	
	Manual	1.35 US gal (5.1 ℓ)
	Automatic	1.32 US gal (5.0 ℓ) 1.77 US gal (6.7 ℓ) <sup>*1</sup>
	Total	
	Manual	1.90 US gal (7.2 ℓ)
	Automatic	1.88 US gal (7.1 ℓ) 2.22 US gal (8.4 ℓ) <sup>*1</sup>
Engine oil	Change <sup>*3</sup>	
	Including filter	4.4 US qt (4.2 ℓ) 4.5 US qt (4.3 ℓ) <sup>*1</sup>
	Without filter	4.2 US qt (4.0 ℓ)
	Total	5.6 US qt (5.3 ℓ) 5.3 US qt (5.0 ℓ) <sup>*1</sup>
Manual transmission oil	Change	2.0 US qt (1.9 ℓ)
	Total	2.2 US qt (2.1 ℓ)
Automatic transmission fluid	Change	3.0 US qt (2.8 ℓ) 3.1 US qt (2.9 ℓ) <sup>*1</sup>
	Total	6.9 US qt (6.5 ℓ) 7.6 US qt (7.2 ℓ) <sup>*1</sup>
	U.S. Cars	2.6 US qt (2.5 ℓ)
Windshield washer reservoir	Canada Cars	4.8 US qt (4.5 ℓ)

\* 2 : Including the coolant in the reserve tank and that remaining in the engine.

Reserve tank capacity: 0.16 US gal (0.6 ℓ)

\* 3 : Excluding the oil remaining in the engine.

# Specifications

## Lights

Headlights	High	12 V — 60 W (HB3)
	Low	12 V — 51 W (HB4)
Front turn signal/ Front parking lights		12 V — 24/2.2 CP
Rear turn signal lights		12 V — 21 W (Amber)
Stop/Taillights		12 V — 21/5 W
Taillights		12 V — 3 CP
High-mount brake light		12 V — 21 W
Back-up lights		12 V — 21 W
License plate light		12 V — 3 CP
Ceiling light		12 V — 8 W
Spotlights		12 V — 8 W* <sup>1</sup>
Spotlights/Front ceiling lights		12 V — 8 W* <sup>2</sup>
Trunk light		12 V — 5 W
Door courtesy light		12 V — 2 CP
Vanity mirror lights		12 V — 1.1 W

\* 1 : LX

\* 2 : EX

## Battery

Capacity	4-cylinder	12 V — 38 AH/5 HR
	6-cylinder	12 V — 52 AH/5 HR

## Fuses

Interior	See page <a href="#">357</a> or the fuse label attached to the inside of the fuse box door on each side of the dashboard.
Under-hood	See page <a href="#">356</a> or the fuse box cover.

## Engine

Type	Water cooled 4-stroke, DOHC i-VTEC 4-cylinder, SOHC VTEC 6-cylinder (V6), gasoline engine
Bore x Stroke	3.43 x 3.9 in (87.0 x 99.0 mm) 3.39 x 3.39 in (86.0 x 86.0 mm)* <sup>3</sup>
Displacement	143.6 cu-in (2,354 cm <sup>3</sup> ) 182.8 cu-in (2,997 cm <sup>3</sup> )* <sup>3</sup>
Compression ratio	9.7 : 1 10 : 1* <sup>3</sup>
Spark plugs	See spark plug maintenance section pages 291 and 293 .

\* 3 : 6-cylinder models

## Alignment

Toe-in	Front	0.00 in (0.0 mm)
	Rear	0.08 in (2.0 mm)
Camber	Front	0°
	Rear	-1°
Caster	Front	3°15'

CONTINUED



# Specifications

---

## Tires

Size	Front/Rear	P195/65R15 89H *1 P205/65R15 92H *2 P205/60R16 91V *3
	Spare	T135/90D15
Pressure	Front	32 psi (220 kPa , 2.2 kgf/cm <sup>2</sup> ) *1,3 30 psi (210 kPa , 2.1 kgf/cm <sup>2</sup> ) *2
	Rear	30 psi (210 kPa , 2.1 kgf/cm <sup>2</sup> ) *1,3 29 psi (200 kPa , 2.0 kgf/cm <sup>2</sup> ) *2
	Spare	60 psi (420 kPa , 4.2 kgf/cm <sup>2</sup> )

\* 1 : DX

\* 2 : LX

\* 3 : All EX and V6 models

The tires on your car meet all U.S. Federal Safety Requirements. All tires are also graded for treadwear, traction, and temperature performance according to Department of Transportation (DOT) standards. The following explains these gradings.

### **Uniform Tire Quality Grading**

Quality grades can be found where applicable on the tire sidewall between the tread shoulder and the maximum section width. For example:

**Treadwear 200**

**Traction AA**

**Temperature A**

All passenger car tires must conform to Federal Safety Requirements in addition to these grades.

### **Treadwear**

The treadwear grade is a comparative rating based on the wear rate of the tire when tested under controlled conditions on a specified government test course. For example, a tire graded 150 would wear one and one-half (1 1/2) times as well on the government course as a tire graded 100. The relative performance of tires depends upon the actual conditions of their use, however, and may depart significantly from the norm due to variations in driving habits, service practices and differences in road characteristics and climate.

### **Traction – AA, A, B, C**

The traction grades, from highest to lowest, are AA, A, B, and C. Those grades represent the tire's ability to stop on wet pavement as measured under controlled conditions on specified government test surfaces of asphalt and concrete. A tire marked C may have poor traction performance.

**Warning:** The traction grade assigned to this tire is based on straight-ahead braking traction tests, and does not include acceleration, cornering, hydroplaning, or peak traction characteristics.

## DOT Tire Quality Grading (U.S. Cars)

---

### Temperature – A, B, C

The temperature grades are A (the highest), B, and C, representing the tire's resistance to the generation of heat and its ability to dissipate heat when tested under controlled conditions on a specified indoor laboratory test wheel. Sustained high temperature can cause the material of the tire to degenerate and reduce tire life, and excessive temperature can lead to sudden tire failure. The grade C corresponds to a level of performance which all passenger car tires must meet under the Federal Motor Vehicle Safety Standard No. 109. Grades B and A represent higher levels of performance on the laboratory test wheel than the minimum required by law.

Warning: The temperature grade for this tire is established for a tire that is properly inflated and not overloaded. Excessive speed, underinflation, or excessive loading, either separately or in combination, can cause heat buildup and possible tire failure.

Some conventional gasolines are being blended with alcohol or an ether compound. These gasolines are collectively referred to as oxygenated fuels. To meet clean air standards, some areas of the United States and Canada use oxygenated fuels to help reduce emissions.

If you use an oxygenated fuel, be sure it is unleaded and meets the minimum octane rating requirement.

Before using an oxygenated fuel, try to confirm the fuel's contents. Some states/provinces require this information to be posted on the pump.

The following are the U.S. EPA and Canadian CGSB approved percentages of oxygenates:

**ETHANOL** (ethyl or grain alcohol)  
You may use gasoline containing up to 10 percent ethanol by volume. Gasoline containing ethanol may be marketed under the name "Gasohol."

**MTBE** (Methyl Tertiary Butyl Ether)  
You may use gasoline containing up to 15 percent MTBE by volume.

**METHANOL** (methyl or wood alcohol)  
Your car was not designed to use fuel that contains methanol. Methanol can corrode metal parts in the fuel system, and also damage plastic and rubber components. This damage would not be covered by your warranties.

If you notice any undesirable operating symptoms, try another service station or switch to another brand of gasoline.

Fuel system damage or performance problems resulting from the use of an oxygenated fuel containing more than the percentages of oxygenates given above are not covered under warranty.

## Driving in Foreign Countries

---

If you are planning to take your Honda outside the U.S. or Canada, contact the tourist bureaus in the areas you will be traveling in to find out about the availability of unleaded gasoline with the proper octane rating.

If unleaded gasoline is not available, be aware that using leaded gasoline in your Honda will affect performance and fuel mileage, and damage its emissions controls. It will no longer comply with U.S. and Canadian emissions regulations, and will be illegal to operate in North America. To bring your car back into compliance will require the replacement of several components, such as the oxygen sensors and the three way catalytic converter. These replacements are not covered under warranty.

The burning of gasoline in your car's engine produces several byproducts. Some of these are carbon monoxide (CO), oxides of nitrogen (NOx) and hydrocarbons (HC). Gasoline evaporating from the tank also produces hydrocarbons. Controlling the production of NOx, CO, and HC is important to the environment. Under certain conditions of sunlight and climate, NOx and HC react to form photochemical "smog." Carbon monoxide does not contribute to smog creation, but it is a poisonous gas.

### **The Clean Air Act**

The United States Clean Air Act\* sets standards for automobile emissions. It also requires that automobile manufacturers explain to owners how their emissions controls work and what to do to maintain them. This section summarizes how the emissions controls work. Scheduled maintenance is on page 250 .

\* In Canada, Honda vehicles comply with the Canadian emission requirements, as specified in an agreement with Environment Canada, at the time they are manufactured.

### **Crankcase Emissions Control System**

Your car has a Positive Crankcase Ventilation System. This keeps gasses that build up in the engine's crankcase from going into the atmosphere. The Positive Crankcase

Ventilation valve routes them from the crankcase back to the intake manifold. They are then drawn into the engine and burned.

### **Evaporative Emissions Control System**

As gasoline evaporates in the fuel tank, an evaporative emissions control canister filled with charcoal adsorbs the vapor. It is stored in this canister while the engine is off. After the engine is started and warmed up, the vapor is drawn into the engine and burned during driving.

### **Onboard Refueling Vapor Recovery**

The Onboard Refueling Vapor Recovery (ORVR) system captures the fuel vapors during refueling. The vapors are adsorbed in a canister filled with activated carbon. While driving, the fuel vapors are drawn into the engine and burned off.

## Emissions Controls

---

### Exhaust Emissions Controls

The exhaust emissions controls include four systems: PGM-FI, Ignition Timing Control, Exhaust Gas Recirculation and Three Way Catalytic Converter. These four systems work together to control the engine's combustion and minimize the amount of HC, CO, and NO<sub>x</sub> that comes out the tailpipe. The exhaust emissions control systems are separate from the crankcase and evaporative emissions control systems.

#### *PGM-FI System*

The PGM-FI System uses sequential multiport fuel injection. It has three subsystems: Air Intake, Engine Control, and Fuel Control. The Engine Control Module (ECM) or the Powertrain Control Module (PCM) uses various sensors to determine how much air is going into the engine. It then controls how much fuel to inject under all operat-

ing conditions.

#### *Ignition Timing Control System*

This system constantly adjusts the ignition timing, reducing the amount of HC, CO and NO<sub>x</sub> produced.

#### *Exhaust Gas Recirculation (EGR) System*

The Exhaust Gas Recirculation (EGR) system takes some of the exhaust gas and routes it back into the intake manifold. Adding exhaust gas to the air/fuel mixture reduces the amount of NO<sub>x</sub> produced when the fuel is burned.

#### *Three Way Catalytic Converter*

The three way catalytic converter is in the exhaust system. Through chemical reactions, it converts HC, CO, and NO<sub>x</sub> in the engine's exhaust to carbon dioxide (CO<sub>2</sub>), dinitrogen (N<sub>2</sub>), and water vapor.

### Replacement Parts

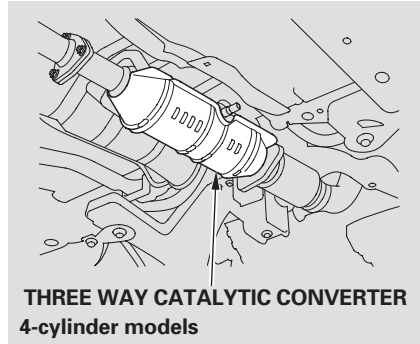
The emissions control systems are designed and certified to work together in reducing emissions to levels that comply with the Clean Air Act. To make sure the emissions remain low, you should use only new genuine Honda replacement parts or their equivalent for repairs. Using lower quality parts may increase the emissions from your car.

The emissions control systems are covered by warranties separate from the rest of your car. Read your warranty manual for more information.

## Three Way Catalytic Converter

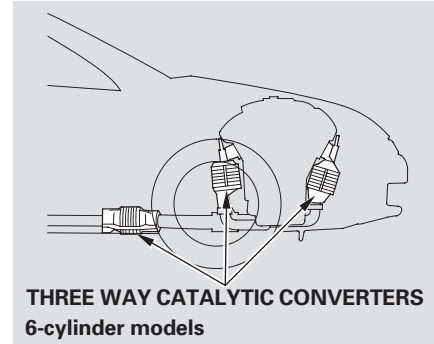
The three way catalytic converter contains precious metals that serve as catalysts, promoting chemical reactions to convert the exhaust gasses without affecting the metals. The catalytic converter is referred to as a three-way catalyst, since it acts on HC, CO, and NOx. A replacement unit must be an original Honda part or its equivalent.

The three way catalytic converter must operate at a high temperature for the chemical reactions to take place. It can set on fire any combustible materials that come near it. Park your car away from high grass, dry leaves, or other flammables.



A defective three way catalytic converter contributes to air pollution, and can impair your engine's performance. Follow these guidelines to protect your car's three way catalytic converter.

- Always use unleaded gasoline. Even a small amount of leaded gasoline can contaminate the catalyst metals, making the three way catalytic converter ineffective.



- Keep the engine tuned-up.
- Have your car diagnosed and repaired if it is misfiring, back-firing, stalling, or otherwise not running properly.



## State Emissions Testing

---

### Testing of Readiness Codes

If you take your car for a state emissions test shortly after the battery has been disconnected or gone dead, it may not pass the test. This is because of certain “readiness codes” that must be set in the on-board diagnostics for the emissions systems. These codes are erased when the battery is disconnected, and set again only after several days of driving under a variety of conditions.

If the testing facility determines that the readiness codes are not set, you will be requested to return at a later date to complete the test. If you must get the car re-tested within the next two or three days, you can condition the car for re-testing by doing the following.

- Make sure the gas tank is nearly, but not completely, full (around 3/4).
  - Make sure the car has been parked with the engine off for 8 hours or more.
  - Make sure the ambient temperature is between 20° and 95° F.
- Without touching the accelerator pedal, start the engine and let it idle for 20 seconds.
  - Keep the car in Park (automatic transmission) or Neutral (manual transmission). Increase the engine speed to 2,000 rpm and hold it there until the temperature gauge rises to at least 1/4 of the scale (approximately 3 minutes).

- Select a nearby lightly traveled major highway where you can maintain a speed of 50 to 60 mph (80 to 97 km/h) for at least 20 minutes. Drive on the highway in D (A/T) or 5th (M/T). Do not use the cruise control. When traffic allows, drive for 90 seconds without moving the accelerator pedal. (Car speed may vary slightly; this is okay.) If you cannot do this for a continuous 90 seconds because of traffic conditions, drive for at least 30 seconds, then repeat it two more times (for a total of 90 seconds).

- Then drive in city/suburban traffic for at least 10 minutes. When traffic conditions allow, let the car coast for several seconds without using the accelerator pedal or the brake pedal.

If the testing facility determines the readiness codes are still not set, see your Honda dealer.



## Warranty and Customer Relations

---

Customer Relations Information.....	378
Warranty Coverages .....	379
Reporting Safety Defects (U.S. Cars) .....	380
Authorized Manuals.....	381

## Customer Relations Information

---

Honda dealership personnel are trained professionals. They should be able to answer all your questions. If you encounter a problem that your dealership does not solve to your satisfaction, please discuss it with the dealership's management. The Service Manager or General Manager can help. Almost all problems are solved in this way.

If you are dissatisfied with the decision made by the dealership's management, contact your Honda Customer Relations Office.

U.S. Owners:  
American Honda Motor Co., Inc.  
Automobile Customer Service  
Mail Stop 500-2N-7A  
1919 Torrance Boulevard  
Torrance, California 90501-2746

Tel: (800) 999-1009

Canadian Owners:  
**CUSTOMER RELATIONS**  
**RELATIONS AVEC LA CLIENTÉLE**

Honda Canada Inc.  
715 Milner Avenue  
Toronto, ON  
M1B 2K8

Tel: 1-888-9-HONDA-9  
Fax: Toll-free 1-877-939-0909  
Toronto (416) 287-4776

In Puerto Rico and the U.S. Virgin Islands:

Bella International  
P.O. Box 190816  
San Juan, Puerto Rico 00919-0816

(787) 250-4318

When you call or write, please give us this information:

- Vehicle Identification Number (see page [362](#) )
- Name and address of the dealer who services your car
- Date of purchase
- Mileage on your car
- Your name, address, and telephone number
- A detailed description of the problem
- Name of the dealer who sold the car to you

### U.S. Owners

Your new Honda is covered by these warranties:

**New Car Limited Warranty** — covers your new car, except for the battery, emissions control systems, and accessories, against defects in materials and workmanship.

**Emissions Control Systems Defects Warranty and Emissions Performance Warranty** — these two warranties cover your car's emissions control systems. Time, mileage, and coverage are conditional. Please read the warranty manual for exact information.

**Original Equipment Battery Limited Warranty** — this warranty gives up to 100 percent credit toward a replacement battery.

**Seat Belt Limited Warranty** — a seat belt that fails to function properly is covered for the useful life of the car.

**Rust Perforation Limited Warranty** — all exterior body panels are covered for rust-through from the inside for the specified time period with no mileage limit.

**Accessory Limited Warranty** — genuine Honda Accessories are covered under this warranty. Time and mileage limits depend on the type of accessory and other factors. Please read your warranty manual for details.

**Replacement Parts Limited Warranty** — covers all genuine Honda replacement parts against defects in materials and workmanship.

**Replacement Battery Limited Warranty** — provides prorated coverage for a replacement battery purchased from a Honda dealer.

**Replacement Muffler Lifetime Limited Warranty** — provides coverage for as long as the purchaser of the muffler owns the car.

Restrictions and exclusions apply to all these warranties. Please read the 2003 Honda Warranty Information booklet that came with your car for precise information on warranty coverages. Your Honda's original tires are covered by their manufacturer. Tire warranty information is in a separate booklet.

### Canadian Owners

Please refer to the 2003 Warranty Manual that came with your car.

## Reporting Safety Defects (U.S. Cars)

---

If you believe that your car has a defect which could cause a crash or could cause injury or death, you should immediately inform the National Highway Traffic Safety Administration (NHTSA) in addition to notifying American Honda Motor Co., Inc.

If NHTSA receives similar complaints, it may open an investigation, and if it finds that a safety defect exists in a group of cars, it may order a recall and remedy campaign. However, NHTSA cannot become involved in individual problems between you, your dealer, or American Honda Motor Co., Inc.

To contact NHTSA, you may either call the Auto Safety Hotline toll-free at 1-800-424-9393 (or 366-0123 in Washington D.C. area) or write to: NHTSA, U.S. Department of Transportation, Washington, D.C. 20590. You can also obtain other information about motor vehicle safety from the Hotline.

## Purchasing Factory Authorized Manuals (U.S. only)

The publications shown below can be purchased from Helm Incorporated. You can order in any of three ways:

- Detach and mail the order form on the right half of this page
- Call Helm Inc. at 1-800-782-4356 (credit card orders only)
- Go online at [www.helminc.com](http://www.helminc.com)

If you are interested in other years or models, contact Helm Inc. at 1-800-782-4356

Publication Form Number	Form Description	Price Each*
61SDA00	2003 Honda Accord Service Manual	\$70.00
61SDA01	2003 Honda Accord V6 Service Manual Supplement	\$40.00
61SDA00EL	2003 Honda Accord Electrical Troubleshooting Manual	\$50.00
61SDA30	2003 Honda Accord Body Repair Manual	\$44.00
31SDA600	2003 Honda Accord 4 Door Owner's Manual	\$34.00
31SDA700	2003 Honda Accord Navigation System Owner's Manual	\$29.00
31SDAQ00	2003 Honda Accord 4 Door Quick Start Guide	\$10.00
HON-R	Order Form for Previous Years- Indicate Year and Model Desired	FREE
* Prices are subject to change without notice and without incurring obligation.		

*Valid only for sales within the U.S. Canadian owners should contact their authorized Honda dealer.*

**ORDER TOLL FREE: 1-800-782-4356**

**(NOTE: For Credit Card Holder Orders Only)**

Monday-Friday 8:00 A.M. — 6:00 P.M. EST

**MINIMUM CREDIT CARD PURCHASE \$10.00**

**OR**

By completing this form you can order the materials desired. You can pay by check or money order, or charge to your credit card. Mail to Helm Incorporated at the address shown on the back of the order form.

2003 HON	PUBLICATION NUMBER	VEHICLE MODEL		Qty	Price Each*	Total Price
		Name	Year			
* Prices are subject to change without notice and without incurring obligation.					TOTAL MATERIAL	
					Mich. Purchases Add 6% Sales Tax	
Orders are mailed within 10 days. Please allow adequate time for delivery.					HANDLING CHARGE \$6.00	
					GRAND TOTAL	



# Authorized Manuals

S H I P  T O	NOTE: Dealers and Companies please provide dealer or company name, and also the name of the person to whose attention the shipment should be sent. For purchases outside U.S.A. please write to the address shown below for a quotation.	
	_____	_____
	Customer Name	Attention
	_____	_____
	Street Address -- No P.O. Box Number	Apartment Number
_____	_____	
City	State & Zip Code	
Daytime Telephone Number (      ) _____		

P A Y M E N T	<input type="checkbox"/> Check or money order enclosed payable to Helm Inc -- U.S. funds only. Do not send cash	
	<input type="checkbox"/> Master Card <input type="checkbox"/> VISA <input type="checkbox"/> Check here if your billing address is different from the shipping address shown above.	
	Account Number	Expiration: Mo. Yr.
	<input type="text"/> <input type="text"/> <input type="text"/> <input type="text"/> <input type="text"/> <input type="text"/> <input type="text"/> <input type="text"/> <input type="text"/> <input type="text"/> <input type="text"/> <input type="text"/> <input type="text"/> <input type="text"/> <input type="text"/> <input type="text"/> <input type="text"/> <input type="text"/> <input type="text"/> <input type="text"/> <input type="text"/> <input type="text"/> <input type="text"/>	<input type="text"/> <input type="text"/> <input type="text"/> <input type="text"/> <input type="text"/> <input type="text"/> <input type="text"/> <input type="text"/> <input type="text"/> <input type="text"/> <input type="text"/> <input type="text"/> <input type="text"/> <input type="text"/> <input type="text"/> <input type="text"/> <input type="text"/> <input type="text"/> <input type="text"/> <input type="text"/> <input type="text"/> <input type="text"/>
	_____	_____
	CUSTOMER SIGNATURE	DATE

These Publications cannot be returned for credit without receiving advance authorization within 14 days of delivery. On returns, a restocking fee may be applied against the original order.

**HELM** P.O. BOX 07280-DETROIT, MICHIGAN 48207-1-800-782-4356

## Service Manual:

This manual covers maintenance and recommended procedures for repair to engine and chassis components. It is written for the Journeyman mechanic, but is simple enough for most mechanically-inclined owners to understand.

## Electrical Troubleshooting Manual:

This manual complements the Service Manual by providing in-depth troubleshooting information for each electrical circuit in your car.

## Body Repair Manual:

This manual describes the procedures involved in the replacement of damaged body parts.

## A

Accessories and Modifications ....	212
Accessories.....	212
Additional Safety Precautions..	213
Modifications .....	213
ACCESSORY (Ignition Key Position) .....	78
Accessory Power Socket .....	107
Additives, Engine Oil.....	270
Airbag (SRS) .....	9
Air Cleaner Element.....	286
Air Conditioning.....	112
Maintenance.....	299
Usage .....	112
Air Pressure, Tires .....	304
Alcohol in Gasoline.....	369
Antifreeze .....	273
Anti-lock Brakes (ABS) Description .....	230
Indicator.....	57, 231
Operation.....	230
Anti-theft Steering Column Lock ..	77
Appearance Care .....	325
Armrest.....	103
Audio System .....	134, 150, 169

Automatic Speed Control.....	195
Automatic Transmission.....	222
Capacity, Fluid .....	364
Checking Fluid Level.....	280, 281
Shifting.....	223
Shift Lever Position Indicator ..	223
Shift Lever Positions .....	223
Shift Lock Release.....	226

## B

Battery Charging System Light.....	58, 348
Jump Starting .....	342
Maintenance.....	294
Specifications .....	365
Before Driving .....	203
Belts, Seat .....	8
Beverage Holders.....	104
Body Repair .....	332
Brakes Anti-lock System (ABS) .....	230
Break-in, New Linings .....	204
Bulb Replacement .....	317
Fluid .....	284
Parking.....	102

System Indicator.....	58
Wear Indicators .....	229
Braking System.....	229
Break-in, New Car .....	204
Brightness Control, Instruments...	69
Brights, Headlights .....	68
Bulb Replacement Back-up Lights .....	318
Brake Lights.....	317
Ceiling Light.....	320
Door Courtesy Light .....	321
Front Parking Lights.....	315
Headlights .....	312
High-mount Brake Light .....	319
License Plate Light.....	319
Specifications .....	365
Spotlights.....	321
Trunk Light .....	322
Turn Signal Lights.....	315
Vanity Mirror Lights.....	321
Bulbs, Halogen.....	312

CONTINUED

# Index

---

## C

Capacities Chart.....	364
Carbon Monoxide Hazard .....	52
Carrying Cargo .....	214
CAUTION, Explanation of .....	ii
CD Changer .....	142, 157, 177
CD Player.....	140
CD Pocket, Center.....	105
Certification Label.....	362
Chains .....	308
Changing a Flat Tire .....	335
Changing Engine Coolant.....	275
Changing Oil	
How to.....	270
When to.....	250
Charging System Indicator ....	58, 348
Checklist, Before Driving.....	218
Childproof Door Locks .....	84
Child Seats .....	26
Tether Anchorage Points .....	39
Cleaner, Air .....	286
Cleaning	
Aluminum Wheels.....	327
Carpeting .....	328
Exterior.....	326

Fabric .....	329
Interior .....	328
Leather.....	329
Seat Belts.....	329
Vinyl .....	329
Window .....	330
Climate Control System.....	119
Clock, Setting the .....	139, 156, 174
Clutch Fluid .....	285
CO in the Exhaust .....	372
Coin Pocket .....	105
Cold Weather, Starting in.....	220
Compact Spare .....	334
Console Compartment.....	103
Consumer Information* .....	378
Controls, Instruments and.....	55
Coolant	
Adding.....	272
Checking.....	210
Proper Solution .....	267
Temperature Gauge.....	64
Corrosion Protection.....	331
Crankcase Emissions Control	
System.....	371
Cruise Control Operation .....	195
Customer Relations Office .....	378

## D

DANGER, Explanation of.....	ii
Dashboard .....	56
Daytime Running Lights.....	69
Defects, Reporting Safety.....	380
Defogger, Rear Window .....	72
Dimensions.....	364
Dimming the Headlights .....	68
Dipstick	
Automatic Transmission ..	280, 281
Engine Oil.....	208
Directional Signals.....	70
Disc Brake Wear Indicators.....	229
Disposal of Used Oil.....	272
Doors	
Locking and Unlocking.....	78
DOT Tire Quality Grading .....	367
Downshifting, 5-speed Manual	
Transmission.....	221
Drive Belts.....	302
Driver and Passenger Safety.....	5
Driving .....	217
Economy .....	211
In Bad Weather.....	235
In Foreign Countries.....	370

Dust and Pollen Filter ..... 300

## E

Economy, Fuel ..... 211

Emergencies on the Road..... 333

Battery, Jump Starting ..... 342

Brake System Indicator ..... 351

Changing a Flat Tire ..... 335

Charging System Indicator ..... 348

Checking the Fuses..... 354

Low Oil Pressure Indicator ..... 347

Malfunction Indicator Lamp .... 349

Manually Closing Moonroof .... 352

Overheated Engine ..... 345

Emergency Brake..... 102

Emergency Flashers ..... 72

Emergency Towing ..... 358

Emissions Controls..... 371

Engine

Belts..... 302

Coolant Temperature Gauge .... 64

Malfunction Indicator

Lamp ..... 58, 349

Oil Pressure Indicator..... 58, 347

Oil, What Kind to Use ..... 268

Overheating..... 345

Specifications ..... 365

Speed Limiter ..... 222, 226

Starting..... 219

Engine Speed Limiter ..... 222, 226

Ethanol in Gasoline ..... 369

Evaporative Emissions Controls.. 371

Exhaust Fumes..... 52

Expectant Mothers, Use of Seat

Belts by ..... 19

Exterior, Cleaning the..... 326

## F

Fabric, Cleaning..... 329

Fan, Interior..... 112

Features, Comfort and

Convenience ..... 111

Filling the Fuel Tank..... 204

Filter

Dust and Pollen..... 300

Oil ..... 270

5-speed Manual Transmission

Checking Fluid Level ..... 283

5-speed Manual Transmission

Shifting the ..... 221

Flashers, Hazard Warning..... 72

Flat Tire, Changing a ..... 335

Fluids

Automatic Transmission .. 280, 281

Brake ..... 284

Clutch..... 285

Manual Transmission ..... 283

Power Steering..... 285

Windshield Washer ..... 279

Folding Rear Seat ..... 92

Foreign Countries, Driving in ..... 370

Four-way Flashers ..... 72

Fuel..... 204

Fill Door and Cap..... 205

Gauge ..... 65

Octane Requirement ..... 204

Oxygenated ..... 369

Tank, Filling the..... 204

Fuses, Checking the..... 354

CONTINUED

# Index

---

## G

Gas Mileage, Improving.....	211
Gasohol.....	369
Gasoline.....	204
Gauge.....	65
Octane Requirement.....	204
Tank, Filling the.....	204
Gas Station Procedures.....	204
Gauges	
Engine Coolant Temperature ...	64
Fuel.....	65
Speedometer.....	63
Tachometer.....	63
Gearshift Lever Positions	
Automatic Transmission.....	222
5-speed Manual	
Transmission.....	221
Glass Cleaning.....	330
Glove Box.....	86

## H

Halogen Headlight Bulbs.....	312
Hazard Warning Flashers.....	72

Headlights.....	68
Aiming.....	312
Automatic Lighting Off.....	69
Daytime Running Lights.....	69
Low Beams, Turning on.....	68
Reminder Chime.....	68
Replacing Halogen Bulbs.....	312
Turning on.....	68
Head Restraints.....	91
Heating and Cooling.....	112
Heated Mirror.....	102
High Altitude, Starting at.....	220
HomeLink Wireless Control	
System.....	198
Hood, Opening the.....	206
Hydraulic Clutch.....	285
Hydroplaning.....	236

## I

Identification Number, Vehicle....	362
Ignition	
Keys.....	74
Switch.....	77
Timing Control System.....	372
Immobilizer System.....	76

Important Safety Precautions.....	6
Indicators, Instrument Panel.....	57
Infant Restraint.....	30
Infant Seats.....	30
Tether Anchorage Points.....	39
Inflation, Proper Tire.....	303
Inside Mirror.....	101
Inspection, Tire.....	305
Instrument Panel.....	57
Instrument Panel Brightness.....	69
Interior Cleaning.....	328
Interior Lights.....	108
Introduction.....	i

## J

Jacking up the Car.....	337
Jack, Tire.....	336
Jump Starting.....	342

## K

Keys.....	74
-----------	----

## L

Label, Certification.....	362
Lane Change, Signaling .....	70
Lap/Shoulder Belts .....	42
Leather, Cleaning .....	329
Lights	
Bulb Replacement .....	312
Indicator .....	57
Parking.....	58
Turn Signal .....	60
LOCK (Ignition Key Position) .....	77
Locks	
Anti-theft Steering Column .....	77
Fuel Fill Door .....	205
Glove Box .....	86
Trunk .....	84
Low Coolant Level.....	210
Lower Gear, Downshifting to a....	221
Low Oil Pressure Indicator ....	58, 347
Lubricant Specifications Chart ....	364
Luggage .....	214

## M

Maintenance.....	245
Owner Maintenance Checks....	265
Record .....	260
Required Indicator .....	65
Safety.....	246
Schedule .....	250-259
Malfunction Indicator Lamp ..	58, 349
Manual Transmission.....	221
Manual Transmission Fluid .....	283
Meters, Gauges.....	63
Methanol in Gasoline .....	369
Mirrors, Adjusting .....	101
Moonroof .....	100
Closing Manually .....	352
Operation .....	100

## N

Neutral Gear Position.....	224
New Vehicle Break-in .....	204
Normal Shift Speeds.....	222
NOTICE, Explanation of.....	ii
Numbers, Identification .....	362

## O

Octane Requirement, Gasoline ....	204
Odometer .....	63
Odometer/Outside Temperature	
Indicator .....	63
Odometer, Trip .....	64
Oil	
Change, How to .....	270
Change, When to .....	250
Checking Engine .....	208
Pressure Indicator .....	58, 347
Selecting Proper Viscosity	
Chart .....	269
ON (Ignition Key Position) .....	78
Operation in Foreign Countries...	370
Outside Mirrors .....	101
Outside Temperature.....	64
Overheating, Engine .....	345
Owner Maintenance Checks.....	265
Oxygenated Fuel .....	369

CONTINUED

# Index

---

## P

Panel Brightness Control .....	69
Park Gear Position.....	224
Parking.....	228
Parking Brake .....	102
Parking Lights.....	58
Parking Over Things that Burn...	373
PGM-FI System.....	372
Polishing and Waxing .....	327
Pollen Filter .....	300
Pre-Drive Safety Checklist .....	11
Pregnancy, Using Seat Belts .....	19
Protecting Adults.....	12
Additional Safety Precautions...	20
Advice for Pregnant Women.....	19
Protecting Children .....	21
Protecting Infants.....	30
Protecting Larger Children.....	36
Protecting Small Children .....	33
Using Child Seats with Tethers.....	39
Using LATCH .....	40

## R

Radiator Overheating.....	345
Radio/CD Sound System .....	134, 150, 169
Rear Lights, Bulb Replacement...	318
Rear Seat Armrest .....	93
Rear Seat, Folding .....	92
Rear View Mirror.....	101
Rear Window Defogger .....	72
Reclining the Seat Backs .....	87, 90
Recommended Shift Speeds .....	222
Reminder Lights.....	57
Remote Transmitter.....	80
Replacement Information Air Cleaner Element.....	286
Coolant.....	275
Engine Oil and Filter .....	270
Fuses .....	354
Light Bulbs .....	312
Schedule .....	250
Spark Plugs .....	289, 292
Tires .....	306
Wiper Blades.....	297
Replacing Seat Belts After a Crash .....	44

Reserve Tank, Coolant.....	210
Restraint, Child .....	21
Reverse Gear Position.....	224
Rotation, Tire .....	306

## S

Safety Belts.....	8
Safety Defects, Reporting* .....	380
Safety Features .....	7
Airbags.....	9
Door Locks.....	11
Head Restraints .....	11
Seat Belts.....	8
Seats and Seat-Backs.....	10
Safety Labels, Location of .....	53
Safety Messages .....	ii
Seat Belts .....	8
Additional Information.....	42
Automatic Seat Belt Tensioners.....	43
Cleaning .....	329
Lap/Shoulder Belt.....	42
Maintenance.....	44
Reminder Light and Beeper .....	42, 58





# Index

---

- Tire Chains ..... 308  
Tire, How to Change a Flat ..... 335  
Tires ..... 303  
    Air Pressure ..... 304  
    Checking Wear ..... 305  
    Compact Spare ..... 334  
    DOT Tire Quality Grading ..... 367  
    Inflation ..... 303  
    Inspection ..... 305  
    Replacing ..... 306  
    Rotating ..... 306  
    Snow ..... 308  
    Specifications ..... 366  
Tools, Tire Changing ..... 335  
Towing  
    A Trailer ..... 237  
    Emergency Wrecker ..... 358  
Traction Control System ..... 232  
TCS Activation Indicator .... 59, 233  
TCS Indicator ..... 60, 232  
TCS ON/OFF Switch ..... 233  
Transmission  
    Checking Fluid Level,  
        Automatic ..... 280, 281  
    Checking Fluid Level,  
        Manual ..... 283  
    Fluid Selection ..... 280, 283  
    Identification Number ..... 362  
    Shifting the Automatic ..... 223  
    Shifting the Manual ..... 221  
Treadwear ..... 367  
Trip Meter ..... 64  
Trunk ..... 84  
    Emergency Opener ..... 85  
    Opening the ..... 84  
    Open Monitor Light ..... 60  
Turn Signals ..... 70
- U**
- Underside, Cleaning ..... 331  
Unexpected, Taking Care  
    of the ..... 333  
Uniform Tire Quality Grading ..... 367  
Unleaded Gasoline ..... 204  
Upholstery Cleaning ..... 328  
Used Oil, How to Dispose of ..... 272
- V**
- Vanity Mirror ..... 106  
Vehicle Capacity Load ..... 215  
Vehicle Dimensions ..... 364  
Vehicle Identification Number ..... 362  
Vehicle Storage ..... 323  
VIN ..... 362  
Vinyl Cleaning ..... 329  
Viscosity, Oil ..... 269
- W**
- WARNING, Explanation of ..... ii  
Warning Labels, Location of ..... 53  
Warranty Coverages\* ..... 379  
Washer, Windshield  
    Checking the Fluid Level ..... 279  
    Operation ..... 72  
Washing ..... 326  
Waxing and Polishing ..... 327  
Wheels  
    Adjusting the Steering ..... 73  
    Alignment and Balance ..... 305  
    Compact Spare ..... 334  
    Wrench ..... 337  
Windows  
    Cleaning ..... 330  
    Operating the Power ..... 96  
    Rear, Defogger ..... 72

Windshield	
Cleaning .....	70
Washers .....	72
Wipers, Windshield	
Changing Blades.....	297
Operation .....	70
Worn Tires .....	305
Wrecker, Emergency Towing.....	358

\* : U.S. only

## Service Information Summary

---

### **Gasoline:**

Unleaded gasoline, pump octane number of 86 or higher.

### **Fuel Tank Capacity:**

17.09 US gal (64.7 ℓ)

### **Recommended Engine Oil:**

API Premium grade 5W-20 detergent oil (see page [268](#)).

Oil change capacity (including filter):

4-cylinder models

4.4 US qt (4.2 ℓ)

6-cylinder models

4.5 US qt (4.3 ℓ)

### **Automatic Transmission Fluid:**

Honda ATF-Z1 (Automatic Transmission Fluid) preferred, or a DEXRON® III ATF as a temporary replacement (see pages [280](#) and [281](#)).

### **5-speed Manual Transmission Fluid:**

Honda Manual Transmission Fluid preferred, or an SAE 10W-30 or 10W-40 motor oil as a temporary replacement (see page [283](#)).

Capacity:

2.0 US qt (1.9 ℓ)

### **Power Steering Fluid:**

Honda Power Steering Fluid preferred, or another brand of power steering fluid as a temporary replacement. Do not use ATF (see page [285](#)).

### **Brake Fluid:**

Honda Heavy Duty Brake Fluid DOT 3 preferred, or a DOT 3 or DOT 4 brake fluid as a temporary replacement (see page [284](#)).

### **Tire Pressure (measured cold):** LX

Front:

30 psi (210 kPa , 2.1 kgf/cm<sup>2</sup>)

Rear:

29 psi (200 kPa , 2.0 kgf/cm<sup>2</sup>)

All other models

Front:

32 psi (220 kPa , 2.2 kgf/cm<sup>2</sup>)

Rear:

30 psi (210 kPa , 2.1 kgf/cm<sup>2</sup>)