

HONDA
MARINE

BF115A/BF130A Owner's Manual





WARNING:



The engine exhaust from this product contains chemicals known to the State of California to cause cancer, birth defects, or other reproductive harm.

Keep this owner's manual handy, so you can refer to it at any time. This owner's manual is considered a permanent part of the outboard motor and should remain with the outboard motor if resold.

The information and specifications included in this publication were in effect at the time of approval for printing. Honda Motor Co., Ltd. reserves the right, however, to discontinue or change specifications or design at any time without notice and without incurring any obligation whatever. No part of this publication may be reproduced without written permission.

INTRODUCTION

Congratulations on your selection of a Honda outboard motor. We are certain you will be pleased with your purchase of one of the finest outboard motors on the market.

We want to help you get the best results from your new outboard motor and to operate it safely. This manual contains the information on how to do that; please read it carefully.

As you read this manual you will find information preceded by a

NOTICE symbol. That information is intended to help you avoid damage to your outboard motor, other property, or the environment.

We suggest you read the warranty policy to fully understand its coverage and your responsibilities of ownership. The warranty policy is a separate document that should have been given to you by your dealer.

When your outboard motor needs scheduled maintenance, keep in mind that your Honda marine dealer is specially trained in servicing Honda outboard motors. Your Honda marine dealer is dedicated to your satisfaction and will be pleased to answer your questions and concerns.

© 2002 Honda Motor Co., Ltd. All Rights Reserved

INTRODUCTION


A FEW WORDS ABOUT SAFETY

Your safety and the safety of others are very important. And using this outboard motor safely is an important responsibility.


To help you make informed decisions about safety, we have provided operating procedures and other information on labels and in this manual. This information alerts you to potential hazards that could hurt you or others.

Of course, it is not practical or possible to warn you about all the hazards associated with operating or maintaining an outboard motor. You must use your own good judgment.

You will find important safety information in a variety of forms, including:

- **Safety Labels** — on the outboard motor.
- **Safety Messages** — preceded by a safety alert symbol  and one of three signal words, DANGER, WARNING, or CAUTION.

These signal words mean:

 You **WILL** be **KILLED** or **SERIOUSLY HURT** if you don't follow instructions.

 You **CAN** be **KILLED** or **SERIOUSLY HURT** if you don't follow instructions.

 You **CAN** be **HURT** if you don't follow instructions.

- **Safety Headings** — such as *IMPORTANT SAFETY INFORMATION*.
- **Safety Section** — such as *OUTBOARD MOTOR SAFETY*.
- **Instructions** — how to use this outboard motor correctly and safely.

This entire book is filled with important safety information — please read it carefully.

CONTENTS

| | | | |
|--|----|--|----|
| OUTBOARD MOTOR SAFETY..... | 7 | Top-Mount Type | |
| IMPORTANT SAFETY INFORMATION..... | 7 | Ignition Switch..... | 22 |
| SAFETY LABEL LOCATIONS..... | 9 | Switch Clip and Emergency Stop Switch..... | 22 |
| CONTROLS AND FEATURES | 10 | Fast Idle Button..... | 23 |
| CONTROL AND FEATURE IDENTIFICATION | | Gearshift/Throttle Control Lever..... | 23 |
| CODES..... | 10 | Common Controls | |
| COMPONENT AND CONTROL LOCATIONS..... | 11 | Power Trim/Tilt Switch | 25 |
| CONTROLS..... | 15 | Power Tilt Switch..... | 26 |
| Side-Mount Type | | Manual Relief Valve..... | 26 |
| Ignition Switch..... | 15 | Tilt Lock Lever | 26 |
| Switch Clip and Emergency Stop Switch..... | 16 | Engine Cover Lock Levers | 27 |
| Gearshift/Throttle Control Lever..... | 16 | Transom Angle Adjusting Rod..... | 27 |
| Fast Idle Lever..... | 18 | Trim Tab..... | 28 |
| Panel-Mount Type | | INSTRUMENTS..... | 28 |
| Ignition Switch..... | 18 | Trim Meter (optional equipment) | 28 |
| Switch Clip and Emergency Stop Switch..... | 19 | Tachometer (optional equipment)..... | 28 |
| Fast Idle Button..... | 20 | Fuel Gauge (optional equipment) | 29 |
| Gearshift/Throttle Control Lever..... | 20 | | |

CONTENTS

| | | | |
|---|----|--|----|
| INDICATORS..... | 29 | OPERATION | 36 |
| Alternator (AGC) Indicator..... | 29 | SAFE OPERATING PRECAUTIONS | 36 |
| Programmed Fuel Injection (PGM-FI) Indicator... | 29 | BREAK-IN PROCEDURE..... | 36 |
| Oil Pressure Indicator..... | 30 | TRANSOM ANGLE ADJUSTMENT | 37 |
| Overheating Indicator | 30 | PORTABLE FUEL TANK (optional equipment)..... | 38 |
| Cooling System Indicator | 31 | FUEL HOSE CONNECTIONS..... | 38 |
| OTHER FEATURES | 31 | FUEL PRIMING..... | 39 |
| Overrev Limiter..... | 31 | STARTING THE ENGINE | 39 |
| Anodes..... | 32 | Side-Mount Type | 39 |
| Portable Fuel Tank (optional equipment)..... | 32 | Panel-Mount Type..... | 42 |
| Fuel Cap Vent Knob (optional equipment) | 32 | Top-Mount Type..... | 44 |
| Fuel Priming Bulb..... | 33 | STOPPING THE ENGINE..... | 46 |
| BEFORE OPERATION..... | 34 | Emergency Engine Stopping | 46 |
| ARE YOU READY TO GET UNDER WAY ? | 34 | Normal Engine Stopping..... | 47 |
| IS YOUR OUTBOARD MOTOR | | GEARSHIFTING AND | |
| READY TO GO ? | 34 | THROTTLE OPERATION | 48 |
| | | Side-Mount Type | 48 |
| | | Panel-Mount Type..... | 49 |
| | | Top-Mount Type..... | 49 |
| | | STEERING | 50 |
| | | CRUISING..... | 51 |
| | | SHALLOW WATER OPERATION..... | 53 |
| | | MOORING, BEACHING, LAUNCHING..... | 53 |

CONTENTS

| | | | |
|------------------------------------|----|--|----|
| SERVICING YOUR OUTBOARD MOTOR..... | 55 | REFUELING..... | 71 |
| THE IMPORTANCE OF MAINTENANCE..... | 55 | FUEL RECOMMENDATIONS..... | 72 |
| MAINTENANCE SAFETY..... | 56 | Fuel Pump Filter Inspection and Replacement..... | 73 |
| TOOL KIT (optional equipment)..... | 57 | Portable Fuel Tank and | |
| MAINTENANCE SCHEDULE..... | 58 | Filter Cleaning (optional equipment)..... | 75 |
| TRIM TAB ADJUSTMENT..... | 60 | Anode Replacement..... | 76 |
| MANUAL RELIEF VALVE..... | 61 | Water Separator Inspection and Service..... | 76 |
| ENGINE COVER REMOVAL AND | | Propeller Replacement..... | 78 |
| INSTALLATION..... | 61 | STORAGE..... | 79 |
| Lock Lever Adjustment..... | 62 | STORAGE PREPARATION..... | 79 |
| Lock Lever Bracket Adjustment..... | 62 | Cleaning and Flushing..... | 79 |
| Engine Oil Level Check..... | 63 | Fuel..... | 81 |
| Engine Oil Change..... | 64 | Engine Oil..... | 82 |
| Oil Filter Change..... | 65 | HOISTING THE OUTBOARD MOTOR..... | 82 |
| Engine Oil Recommendations..... | 67 | STORAGE PRECAUTIONS..... | 83 |
| Lubrication Points..... | 68 | REMOVAL FROM STORAGE..... | 84 |
| Spark Plug Service..... | 69 | | |

CONTENTS

| | | | |
|---|-----|----------------------|-------------------|
| TRANSPORTING | 85 | INDEX..... | 108 |
| WITH OUTBOARD MOTOR | | WIRING DIAGRAMS..... | Inside Back Cover |
| INSTALLED ON BOAT | 85 | | |
| WITH OUTBOARD MOTOR | | | |
| REMOVED FROM BOAT | 85 | | |
| TAKING CARE OF UNEXPECTED PROBLEMS..... | 86 | | |
| BATTERY WILL NOT CHARGE AND | | | |
| ELECTRIC STARTER WILL NOT | | | |
| OPERATE..... | 91 | | |
| OIL PRESSURE INDICATOR LIGHT GOES OFF | | | |
| AND ENGINE SPEED IS LIMITED..... | 93 | | |
| OVERHEATING INDICATOR LIGHT COMES | | | |
| ON AND ENGINE SPEED IS LIMITED..... | 94 | | |
| SUBMERGED MOTOR | 95 | | |
| TECHNICAL AND CONSUMER INFORMATION.. | 97 | | |
| TECHNICAL INFORMATION..... | 97 | | |
| Serial Number Locations | 97 | | |
| Oxygenated Fuels..... | 98 | | |
| Battery | 99 | | |
| Emission Control System Information | 100 | | |
| Star Label | 102 | | |
| Specifications | 104 | | |
| CONSUMER INFORMATION | 107 | | |

OUTBOARD MOTOR SAFETY

IMPORTANT SAFETY INFORMATION

Honda BF115A/BF130A outboard motors are designed for use with boats that have a suitable manufacturer's power recommendation. Other uses can result in injury to the operator or damage to the outboard motor and other property.

Most accidents can be prevented if you follow all instructions in this manual and on the outboard motor. The most common hazards are discussed below, along with the best way to protect yourself and others.

Operator Responsibility

- It is the operator's responsibility to provide the necessary safeguards to protect people and property. Know how to stop the engine quickly in case of emergency. Understand the use of all controls.
- Stop the engine immediately if anyone falls overboard, and do not run the engine while the boat is near anyone in the water.
- Always stop the engine if you must leave the controls for any reason.
- Attach the emergency stop switch lanyard securely to the operator.
- Always wear a PFD (Personal Flotation Device) while on the boat.
- Familiarize yourself with all laws and regulations relating to boating and the use of outboard motors.
- Be sure that anyone who operates the outboard motor receives proper instruction.
- Be sure the outboard motor is properly mounted on the boat.
- Do not remove the engine cover while the engine is running.

OUTBOARD MOTOR SAFETY

Refuel With Care

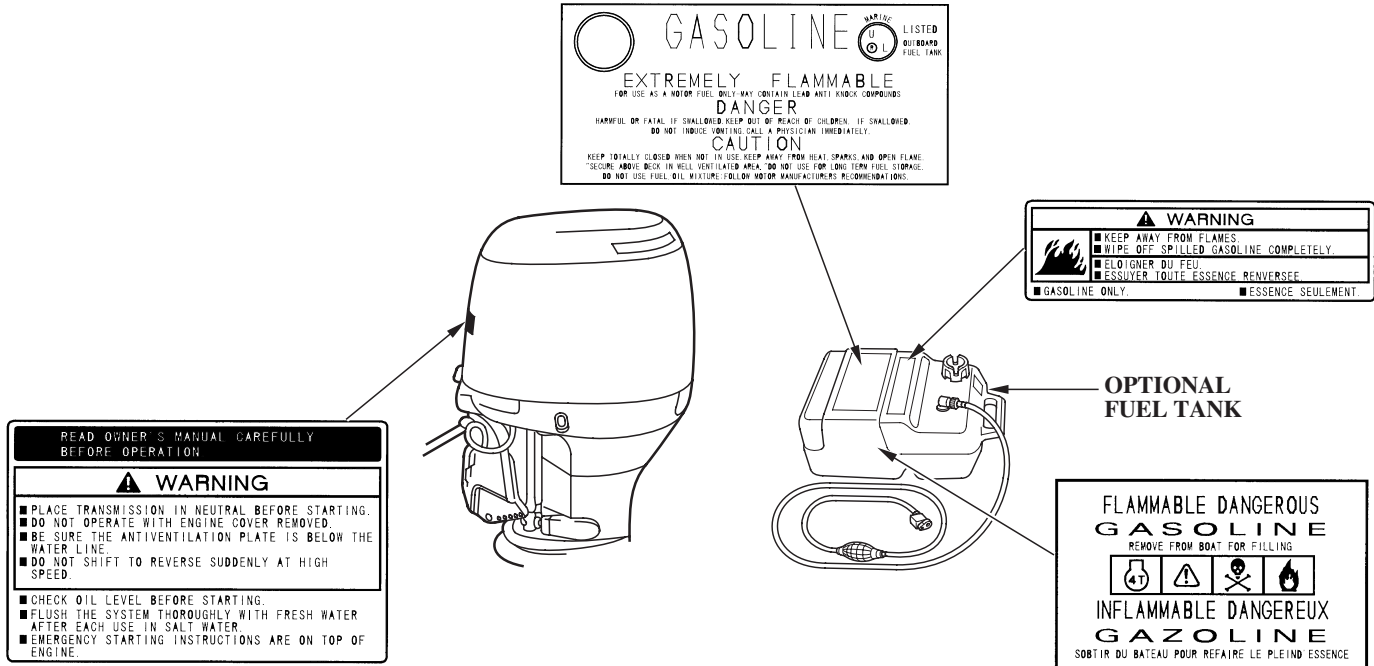
- Gasoline is extremely flammable, and gasoline vapor can explode. Refuel outdoors, in a well-ventilated area, with the engine stopped. Never smoke near gasoline, and keep other flames and sparks away.
- Remove any portable fuel tank from the boat for refueling. Keep the portable fuel tank away from the battery or other potential spark sources.
- Refuel carefully to avoid spilling fuel. Avoid overfilling the fuel tank.
- After refueling, tighten the filler cap securely. If any fuel is spilled, make sure the area is dry before starting the engine.

Carbon Monoxide Hazard

Exhaust gas contains poisonous carbon monoxide. Avoid inhalation of exhaust gas. Never run the engine in a closed garage or confined area.

OUTBOARD MOTOR SAFETY

SAFETY LABEL LOCATIONS



The labels shown here contain important safety information. Please read them carefully. These labels are considered permanent parts of your outboard motor. If a label comes off or becomes hard to read, contact an authorized Honda Marine servicing dealer for a replacement.

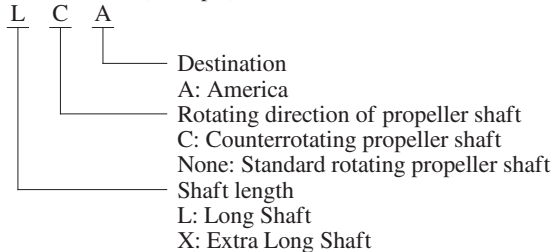
CONTROLS AND FEATURES

CONTROL AND FEATURE IDENTIFICATION CODES

| Model | BF115A | | | | BF130A | | | |
|-----------------------------------|--------|----|-----|-----|--------|----|-----|-----|
| Type | LA | XA | LCA | XCA | LA | XA | LCA | XCA |
| Shaft Length | L | ● | | ● | | ● | | ● |
| | X | | ● | | ● | | ● | ● |
| Standard Rotating Propeller Shaft | ● | ● | | | ● | ● | | |
| Counterrotating Propeller Shaft | | | ● | ● | | | ● | ● |
| Power Trim/Tilt | ● | ● | ● | ● | ● | ● | ● | ● |

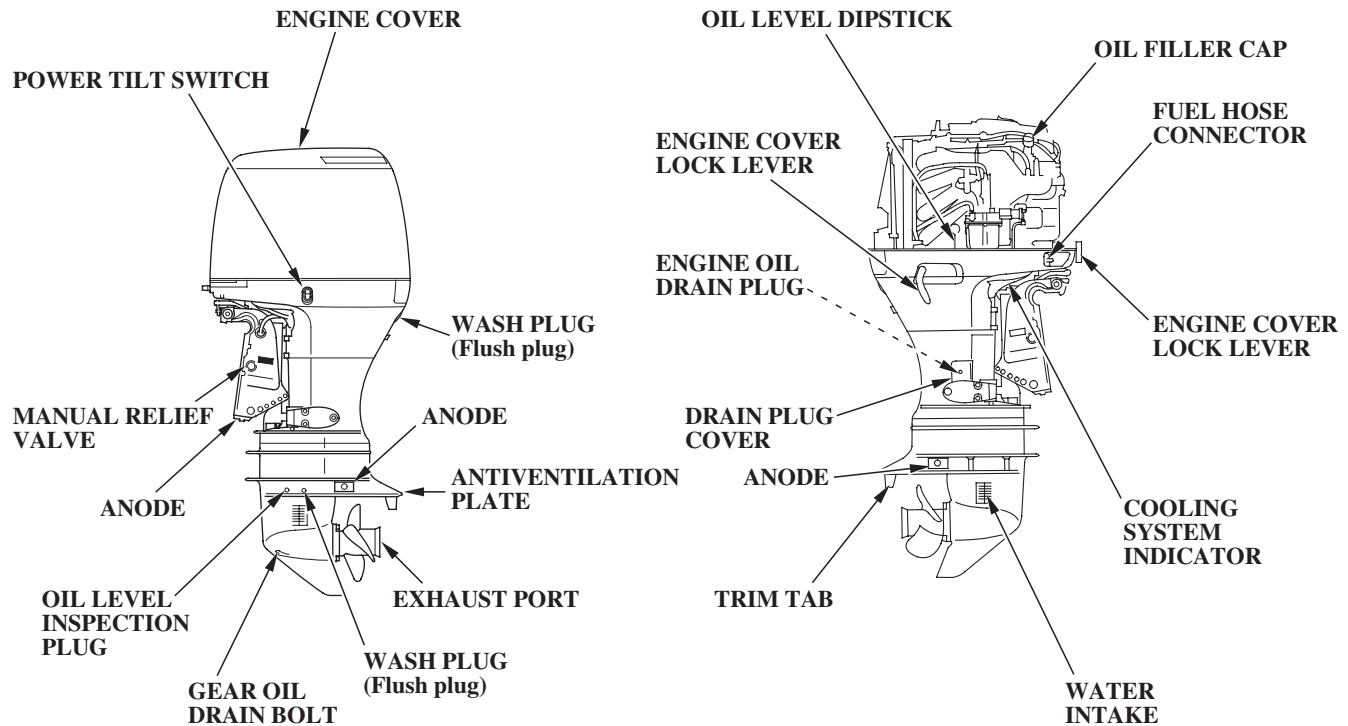
Refer to this chart for an explanation of the Type Codes used in this manual to identify control and feature applications.

TYPE CODE (example)



CONTROLS AND FEATURES

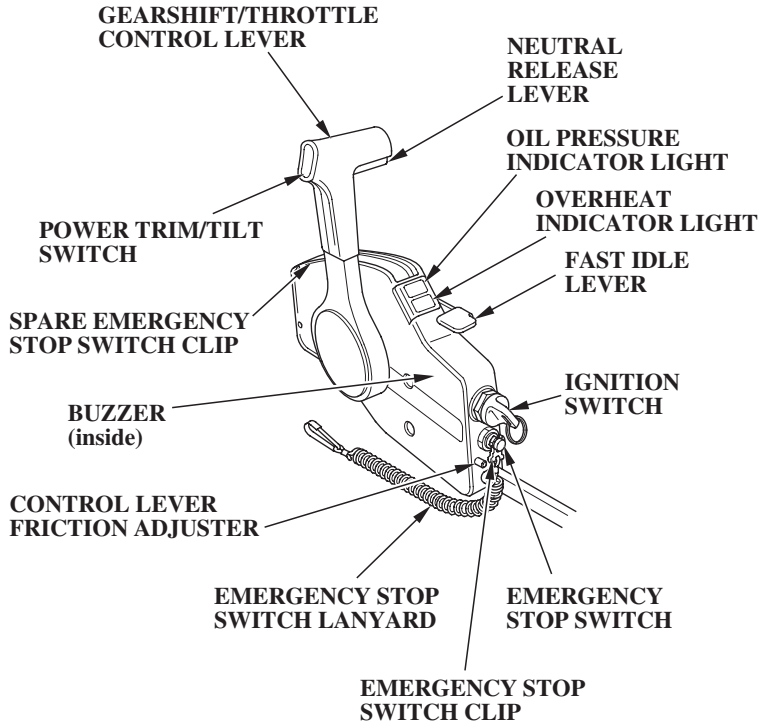
COMPONENT AND CONTROL LOCATIONS



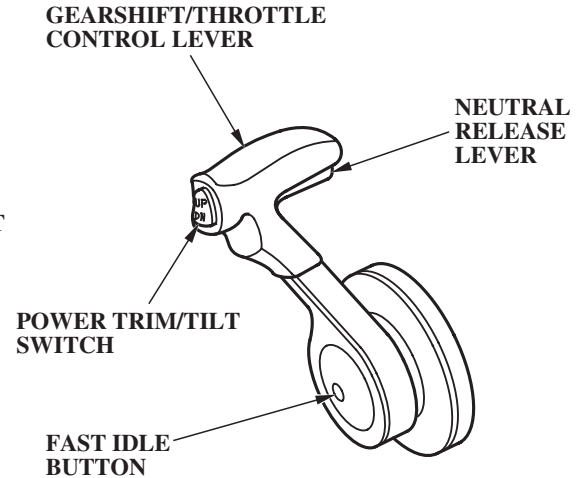
CONTROLS AND FEATURES

Remote Controls (optional equipment)

(SIDE-MOUNT REMOTE CONTROL)

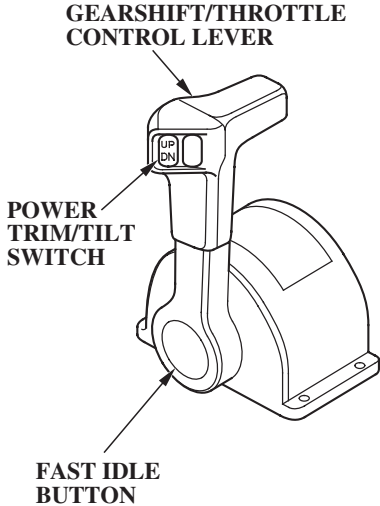


(PANEL-MOUNT REMOTE CONTROL)

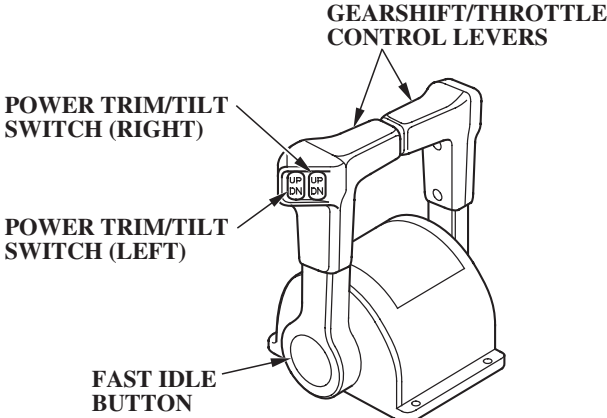


CONTROLS AND FEATURES

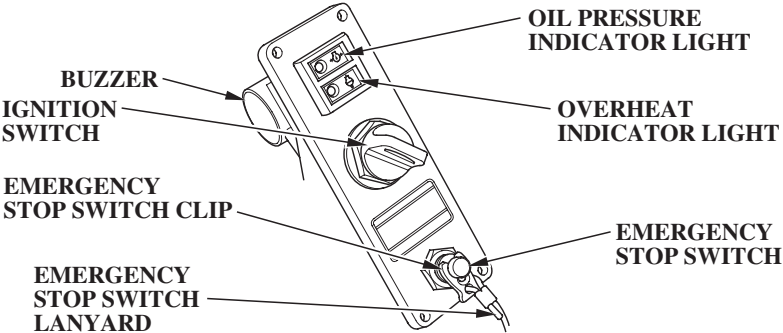
(SINGLE TOP-MOUNT REMOTE CONTROL)



(DUAL TOP-MOUNT REMOTE CONTROL)

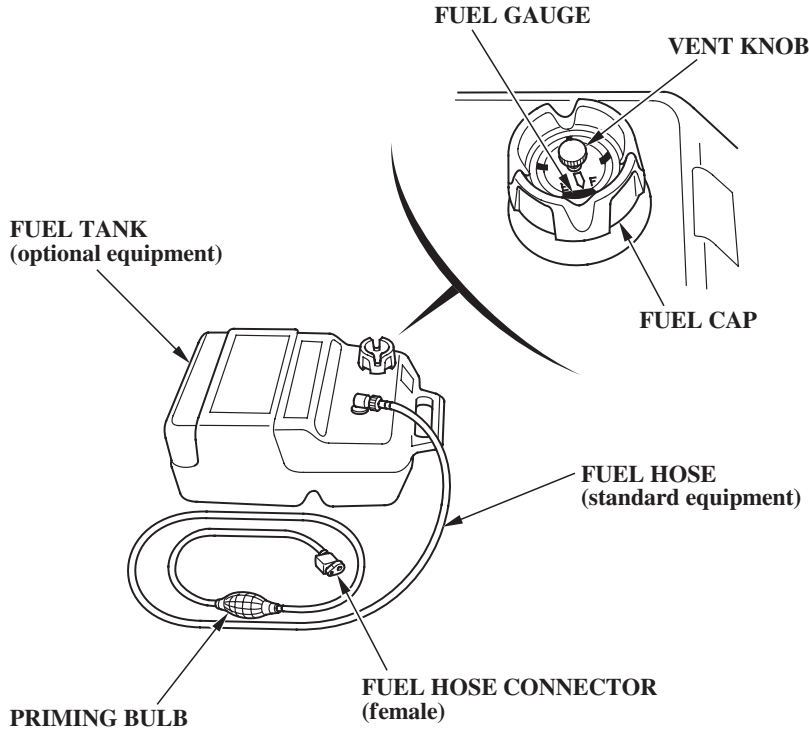


CONTROL PANEL
(for PANEL/TOP-MOUNT type)

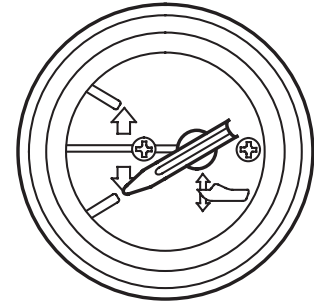


CONTROLS AND FEATURES

Fuel Tank (optional equipment)



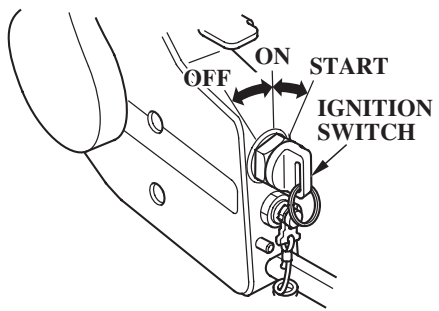
Trim Meter (optional equipment)



CONTROLS

Side-Mount Type

Ignition Switch



The ignition switch controls the ignition system and starter motor.

Turning the ignition switch key to the START position operates the starter motor. The key automatically returns to the ON position when released from the START position.

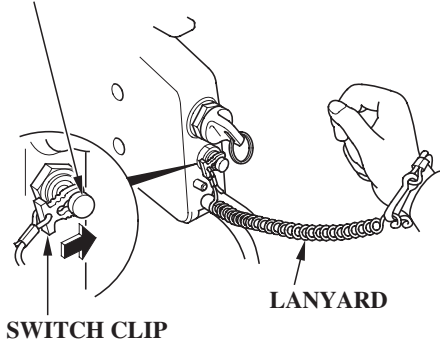
The ignition switch can be used to operate the starter motor only when the control lever (p. 17) is in the N (neutral) position, and the switch clip is in the emergency stop switch.

Turning the ignition switch to the OFF position stops the engine.

CONTROLS AND FEATURES

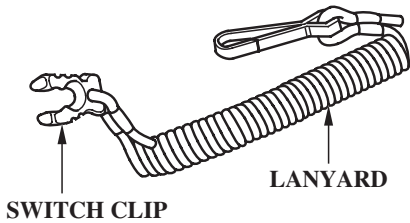
Switch Clip and Emergency Stop Switch

EMERGENCY STOP SWITCH



SWITCH CLIP

LANYARD



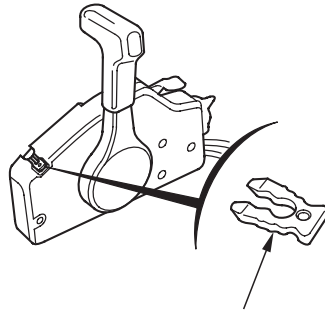
SWITCH CLIP

LANYARD

The switch clip must be inserted in the emergency stop switch in order for the engine to start and run. The lanyard must be attached to the operator's PFD (Personal Flotation Device) or worn around the wrist as shown.

When used as described, the emergency stop switch and lanyard system stops the engine if the operator falls away from the controls.

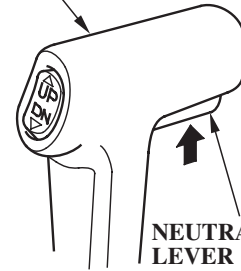
A spare switch clip is stored in a slot in the control housing (optional equipment).



SPARE SWITCH CLIP

Gearshift/Throttle Control Lever

CONTROL LEVER



NEUTRAL RELEASE LEVER

The control lever controls gear selection and throttle opening positions.

It is necessary to pull up the neutral release lever to operate the control lever.

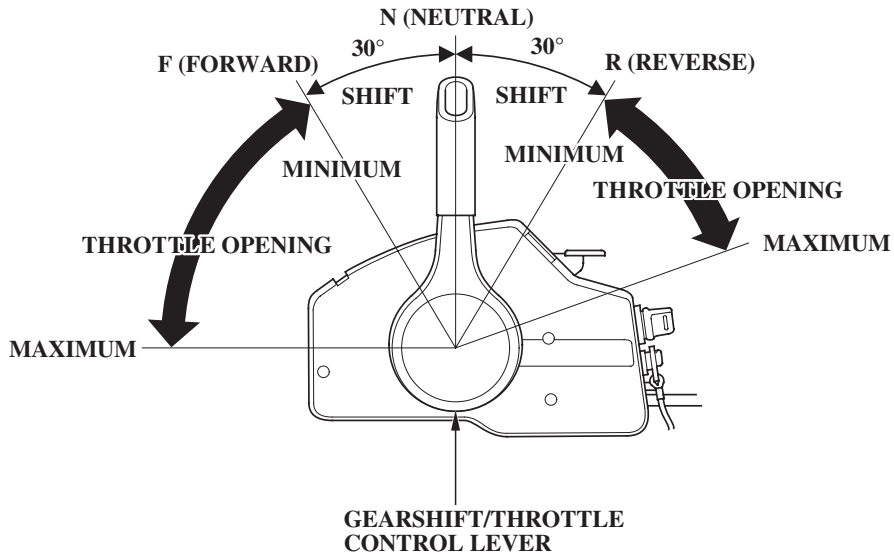
CONTROLS AND FEATURES

Moving the control lever 30° from N (neutral) selects the gear, and further movement increases engine speed.

The control lever automatically locks itself in the N (neutral) position. To move the lever out of the N (neutral) position, you must pull up the neutral release lever on the underside of the lever handle.

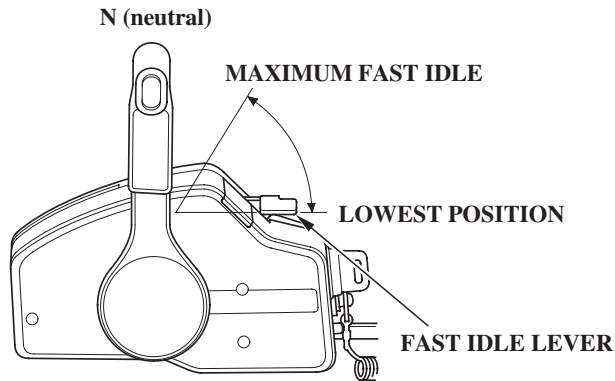
A friction adjuster near the base of the control lever(s) adjusts the operating resistance of the control lever(s).

Less friction allows easier control lever movement. More friction helps to hold a steady throttle setting while cruising.



CONTROLS AND FEATURES

Fast Idle Lever



The fast idle lever is only needed for starting carbureted outboard models. The BF115A and BF130A models use programmed fuel injection so, this lever will not be needed for starting.

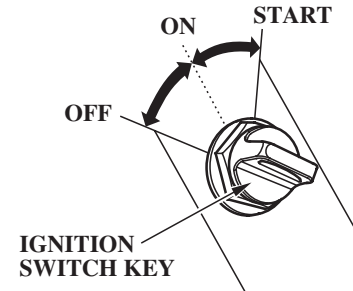
After the engine starts and if the outside temperature is below 41°F (5°C), the fast idle lever can be used to accelerate engine warm up.

The fast idle lever will not move unless the remote control lever is in the N (neutral) position. Conversely, the remote control lever will not move unless the fast idle lever is in the lowest position.

Lower the fast idle lever to the lowest position to decrease the fast idle.

Panel-Mount Type

Ignition Switch



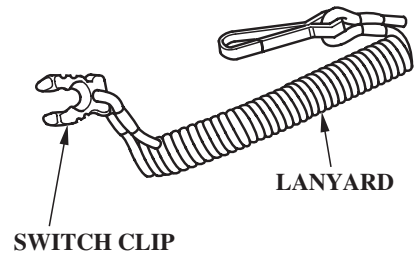
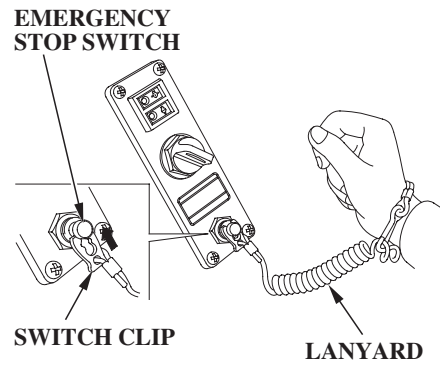
The ignition switch controls the ignition system and starter motor.

Turning the ignition switch key to the START position operates the starter motor. The key automatically returns to the ON position when released from the START position.

The ignition switch can be used to operate the starter motor only when the control lever (p. 21) is in the N (neutral) position, and the switch clip is in the emergency stop switch.

Turning the ignition switch to the OFF position stops the engine.

Switch Clip and Emergency Stop Switch



The switch clip must be inserted in the emergency stop switch in order for the engine to start and run. The lanyard must be attached to the operator's PFD (Personal Flotation Device) or worn around the wrist as shown.

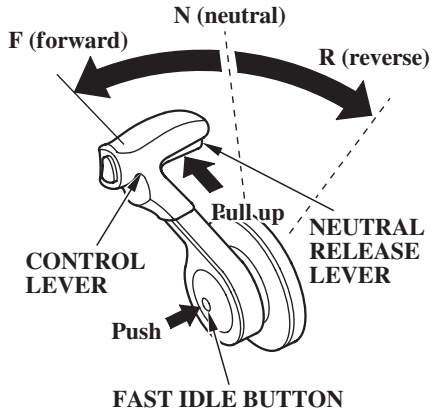
When used as described, the emergency stop switch and lanyard system stops the engine if the operator falls away from the controls.

A spare switch clip can be stored in the tool bag (optional equipment).



CONTROLS AND FEATURES

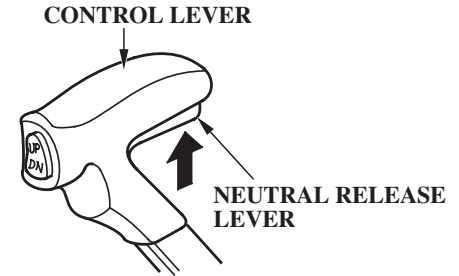
Fast Idle Button



By moving the control lever forward or reverse when the fast idle button is pushed in, the throttle opening will be increased without engaging the gears.

It is necessary to position the control lever in N (neutral) to push in the fast idle button.

Gearshift/Throttle Control Lever



The gearshift/throttle control lever controls engine speed and selects F (forward), N (neutral), or R (reverse) gears.

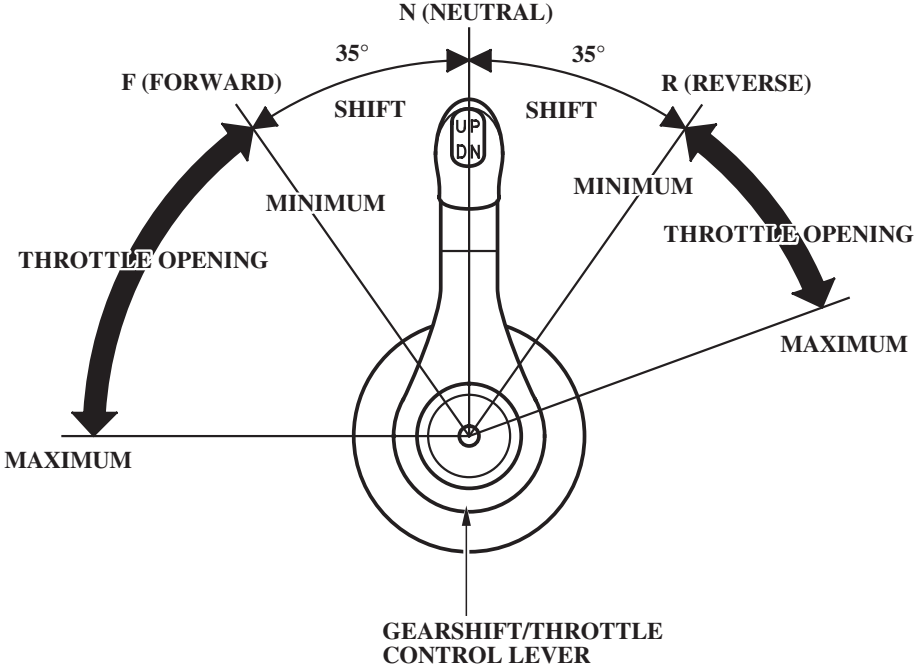
CONTROLS AND FEATURES

Moving the control lever 35° from N (neutral) selects the gear, and further movement increases engine speed.

The control lever automatically locks itself in the N (neutral) position. To move the lever out of the N (neutral) position, you must pull up the neutral release lever on the underside of the lever handle.

A friction adjuster near the base of the control lever(s) adjusts the operating resistance of the control lever(s).

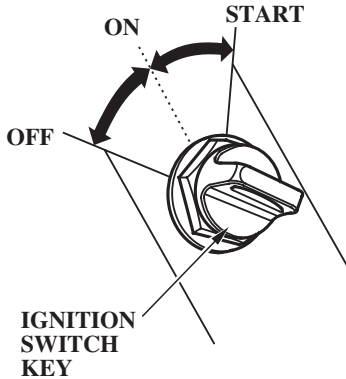
Less friction allows easier control lever movement. More friction helps to hold a steady throttle setting while cruising.



CONTROLS AND FEATURES

Top-Mount Type

Ignition Switch



The ignition switch controls the ignition system and starter motor.

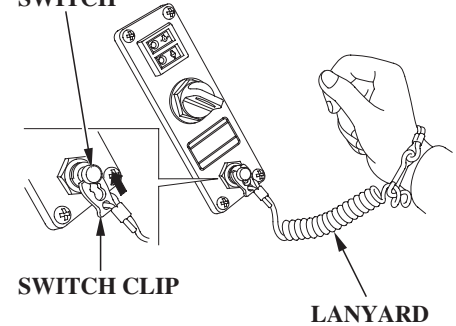
Turning the ignition switch key to the START position operates the starter motor. The key automatically returns to the ON position when released from the START position.

The ignition switch can be used to operate the starter motor only when the control lever (p. 24) is in the N (neutral) position, and the switch clip is in the emergency stop switch.

Turning the ignition switch to the OFF position stops the engine.

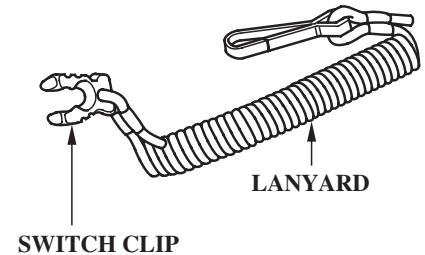
Switch Clip and Emergency Stop Switch

EMERGENCY STOP SWITCH



SWITCH CLIP

LANYARD



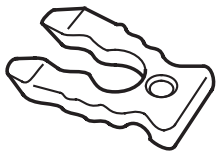
SWITCH CLIP

LANYARD

The switch clip must be inserted in the emergency stop switch in order for the engine to start and run. The lanyard must be attached to the operator's PFD (Personal Flotation Device) or worn around the wrist as shown.

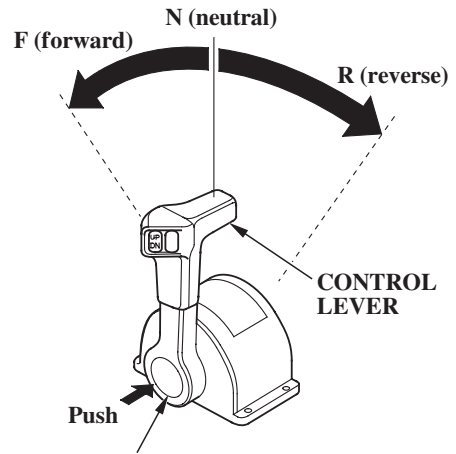
When used as described, the emergency stop switch and lanyard system stops the engine if the operator falls away from the controls.

A spare switch clip can be stored in the tool bag (optional equipment).



SPARE SWITCH CLIP

Fast Idle Button



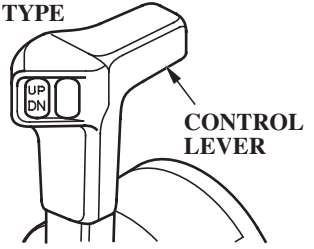
FAST IDLE BUTTON

By moving the control lever forward or reverse when the fast idle button is pushed in, the throttle opening will be increased without engaging the gears.

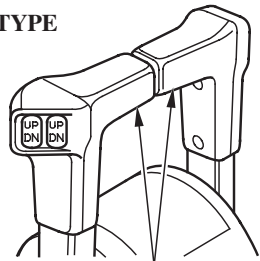
It is necessary to position the control lever in N (neutral) to push in the fast idle button.

Gearshift/Throttle Control Lever

SINGLE TYPE



DUAL TYPE



CONTROL LEVERS

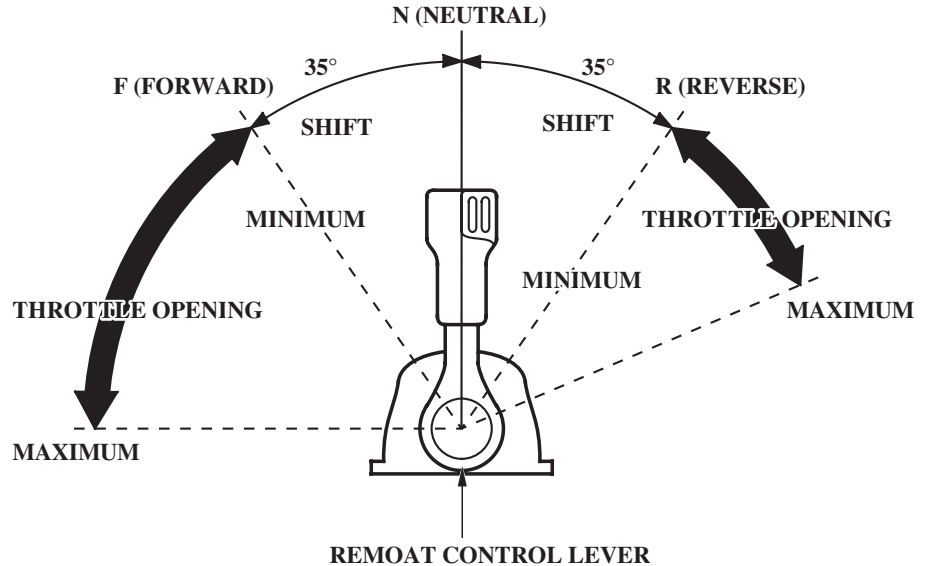
The gearshift/throttle control lever controls engine speed and selects F (forward), N (neutral), or R (reverse) gears.

CONTROLS AND FEATURES

Moving the control lever 35° from N (neutral) selects the gear, and further movement increases engine speed.

A friction adjuster inside the control box adjusts the operating resistance of the control lever(s).

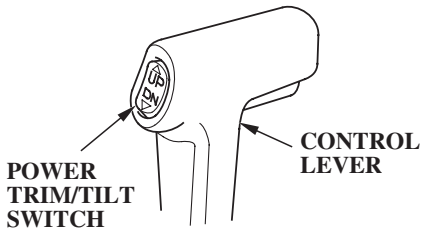
Less friction allows easier control lever movement. More friction helps to hold a steady throttle setting while cruising.



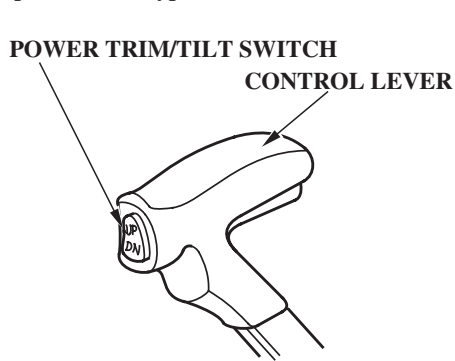
Common Controls

Power Trim/Tilt Switch

(side-mount type)



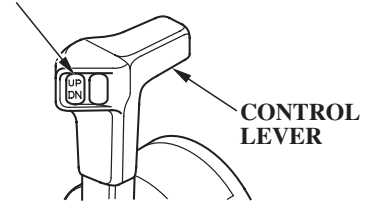
(panel-mount type)



(top-mount type)

SINGLE TYPE

POWER TRIM/TILT SWITCH

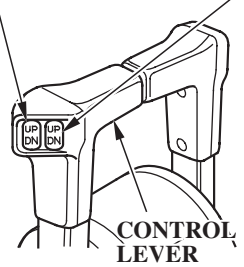


DUAL TYPE

POWER TRIM/TILT SWITCH

(LEFT)

(RIGHT)



The power trim/tilt switch is located on the control lever. It is a rocker switch with UP and DN (down) positions for changing the angle of the outboard motor.

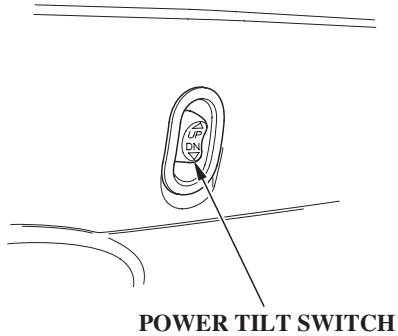
You can use the power trim/tilt switch anytime the ignition switch is ON, whether the boat is underway or stopped.

Trim the outboard motor to obtain the best performance and stability (p. 51).

Tilt the outboard motor for shallow water operation, beaching, launching, or mooring.

CONTROLS AND FEATURES

Power Tilt Switch

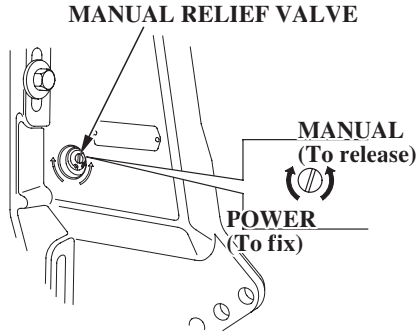


The power tilt switch is located on the engine pan. It is a rocker switch with UP and DN (down) positions for changing the angle of the outboard motor.

The power tilt switch will operate without turning the ignition switch ON.

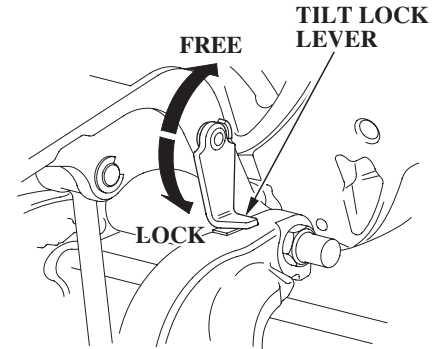
This switch is used with the engine stopped to raise the outboard motor for mooring, trailering or maintenance.

Manual Relief Valve



The outboard motor can be tilted manually after opening the manual relief valve. This allows the outboard motor to be tilted when no battery is connected.

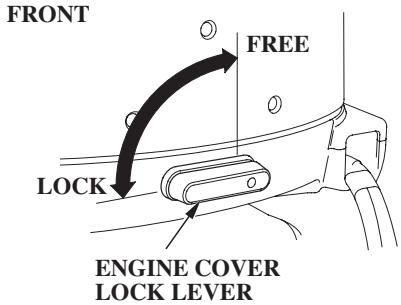
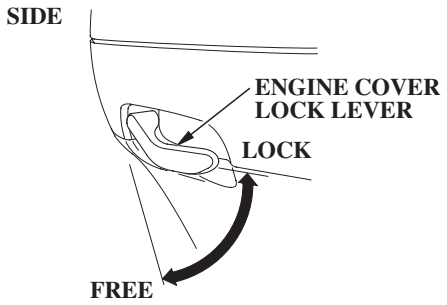
Tilt Lock Lever



The tilt lock lever is used to support the outboard motor in the fully-raised position.

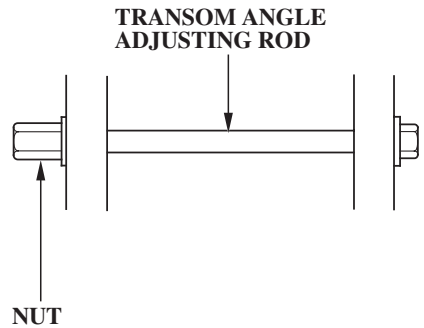
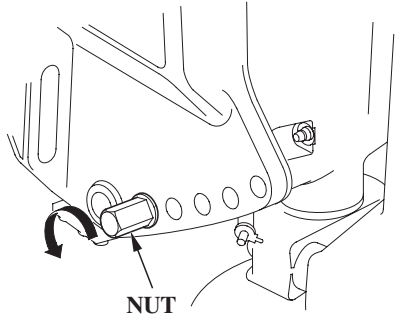
When the boat is to be moored for a long time, tilt the outboard motor as far as it will go. Then move the tilt lock lever to the LOCK position, and gently lower the outboard motor until the lever contacts the stern bracket.

Engine Cover Lock Levers



The engine cover lock levers fasten the engine cover to the outboard motor.

Transom Angle Adjusting Rod

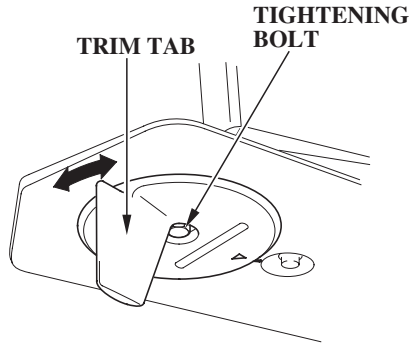


The transom angle adjusting rod limits the tilt angle of the outboard motor when fully lowered.

Proper adjustment prevents the outboard motor from being trimmed too low (p. 51).

CONTROLS AND FEATURES

Trim Tab



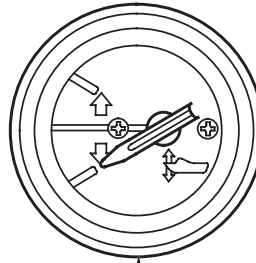
The trim tab compensates for “torque steer,” which is a reaction of the outboard motor to propeller rotation.

If uncompensated, torque steer would make the outboard motor tend to turn to one side.

When the trim tab is correctly adjusted (p. 60), steering effort is equal in either direction.

INSTRUMENTS

Trim Meter (optional equipment)

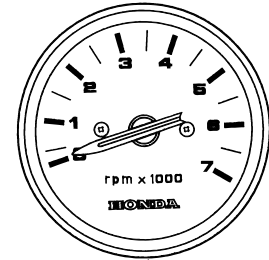


TRIM METER

The trim meter has a range of 0° to 20° and indicates the trim angle of the outboard motor.

Refer to the trim meter when using the power trim/tilt switch to achieve the best performance from the boat.

Tachometer (optional equipment)

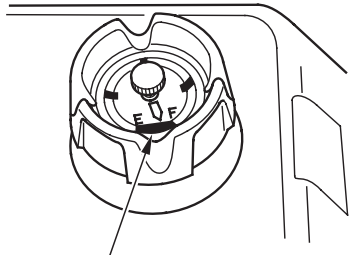


TACHOMETER

The tachometer shows engine speed in revolutions per minute.

Refer to the tachometer when using the throttle and power trim/tilt controls to achieve the best performance from the boat.

Fuel Gauge (optional equipment)



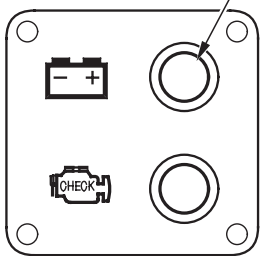
FUEL GAUGE

A fuel gauge is built into the cap of the portable fuel tank (optional equipment).

INDICATORS

Alternator (ACG) Indicator

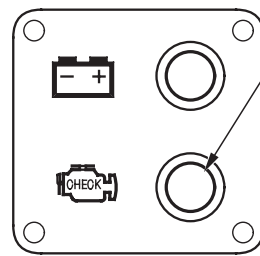
ACG INDICATOR LIGHT



The ACG indicator light turns on and the buzzer sounds when the charging system is faulty.

Programmed Fuel Injection (PGM-FI) Indicator

PGM-FI INDICATOR LIGHT

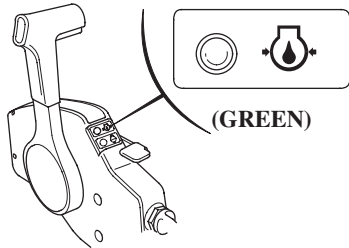


The PGM-FI indicator light turns on and the buzzer sounds when the engine control system detects a malfunction, and momentarily sounds when the ignition key is turned from OFF to ON.

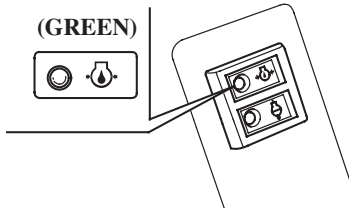
CONTROLS AND FEATURES

Oil Pressure Indicator

(side-mount type)



(panel-mount/top-mount types)



When the green light is lit, oil pressure is OK.

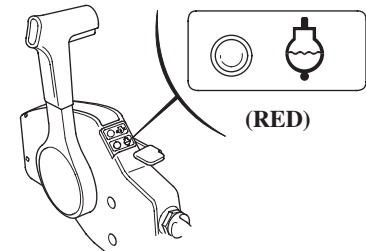
If oil pressure becomes low, the green light will go off, and the engine protection system will limit engine speed.

Remote controls are also equipped with a buzzer that sounds when the green light goes off.

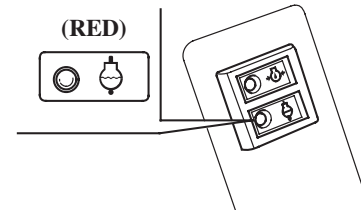
Low oil pressure indicates that the engine oil level is low, or that there is a problem with the engine lubrication system.

Overheating Indicator

(side-mount type)



(panel-mount/top-mount types)

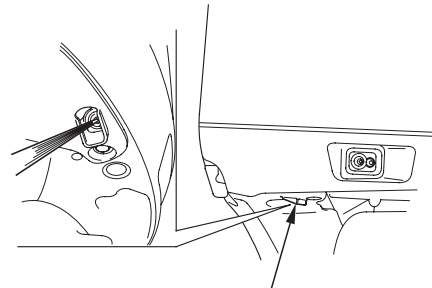


If the engine overheats, the red light will come on, and the engine protection system will limit engine speed.

Remote controls are also equipped with a buzzer that sounds when the red light comes on.

Engine overheating may be the result of clogged water intakes.

Cooling System Indicator



COOLING SYSTEM INDICATOR

Water should flow from the cooling system indicator while the engine is running. This shows that water is circulating through the cooling system.

If water stops flowing while the engine is running, that indicates a cooling system problem, such as clogged water intakes, which will cause engine overheating.

OTHER FEATURES

Overrev Limiter

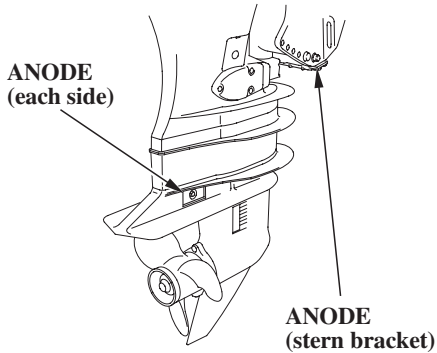
The engine is equipped with an overrev limiter to prevent the possibility of mechanical damage from excessive engine speed.

The overrev limiter may be activated during operation, limiting engine speed, if the outboard motor is tilted excessively, or when propeller ventilation occurs during a sharp turn.

If the overrev limiter is activated, check the trim angle of the outboard motor.

CONTROLS AND FEATURES

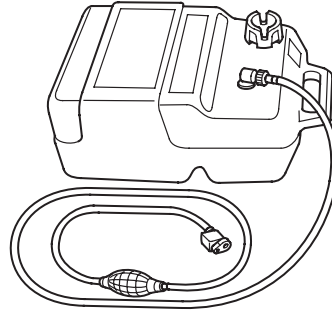
Anodes



The anodes are made of a sacrificial material that helps to protect the outboard motor from corrosion.

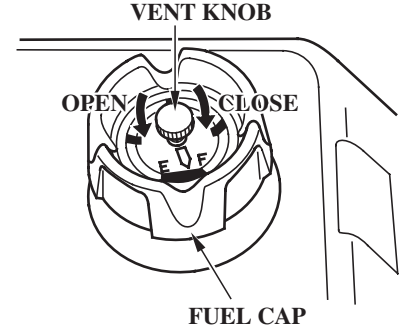
There are two anodes on the gear case, one on the stern bracket, and two small anodes in the water passages of the engine block.

Portable Fuel Tank (optional equipment)



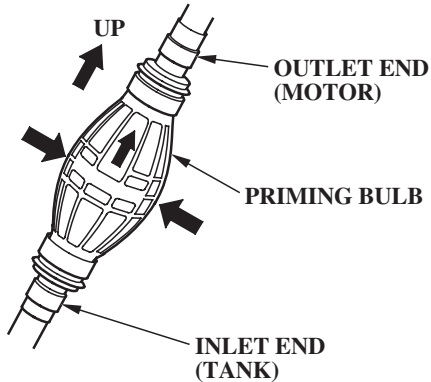
The portable fuel tank (optional equipment) has a capacity of 6.6 US gal (25 l) and has a fuel gauge built into the cap.

Fuel Cap Vent Knob (optional equipment)



The cap is provided with a vent knob to seal the portable fuel tank (optional equipment) for carrying it to and from the boat. Open the vent knob 2 or 3 turns before starting the engine (p. 39).

Fuel Priming Bulb



A priming bulb is built into the fuel hose that connects the fuel tank to the outboard motor.

Before starting the engine, hold the priming bulb up in the direction of the arrow, then squeeze the priming bulb until it feels firm. This will ensure that fuel is supplied to the engine (p. 39).

BEFORE OPERATION

ARE YOU READY TO GET UNDER WAY ?

Your safety is your responsibility. A little time spent in preparation will significantly reduce your risk of injury.

Knowledge

Read and understand this manual. Know what the controls do and how to operate them.

Familiarize yourself with the outboard motor and its operation before you get under way. Know what to do in case of emergencies.

Familiarize yourself with all laws and regulations relating to boating and the use of outboard motors.

Safety

Always wear a PFD (Personal Flotation Device) while on the boat.

Attach the emergency stop switch lanyard securely to your PFD or to your wrist.

IS YOUR OUTBOARD MOTOR READY TO GO ?

For your safety, and to maximize the service life of your equipment, it is very important to take a few moments before you operate the outboard motor to check its condition. Be sure to take care of any problem you find, or have your authorized Honda Marine dealer correct it, before you operate the outboard motor.

WARNING

Improperly maintaining this outboard motor, or failing to correct a problem before operation, could cause a malfunction in which you could be seriously injured.

Always perform a preoperation inspection before each operation, and correct any problem.

Before beginning your preoperation checks, be sure the ignition switch is in the OFF position.

Safety Inspection

- Look around the outboard motor for signs of oil or gasoline leaks.
- If you are using the portable fuel tank (optional equipment), make sure it is in good condition and properly secured in the boat (p. 38).
- Check that the fuel hose is undamaged and properly connected (p. 38).
- Wipe up any spills before starting the engine.
- Check the stern bracket to be sure the outboard motor is securely installed.
- Check that all controls are operating properly.
- Replace any damaged parts.

Maintenance Inspection

- Check that all fasteners are in place and securely tightened.
- Check the engine oil level (p. 63). Running the engine with a low oil level can cause engine damage.
- Check to be sure the propeller is undamaged, and the castle nut is secured with the cotter pin (p. 78).
- Check that the anodes are securely attached to the gear case (p. 76) and are not excessively worn. The anodes help to protect the outboard motor from corrosion.
- Make sure an adequate tool kit is onboard (p. 57).
- Check the fuel level in the fuel tank (p. 71).

- Check that the battery fluid is between the upper and lower levels, and the battery leads are connected securely.
- Check the water separator for water contamination (p. 76).

OPERATION

SAFE OPERATING PRECAUTIONS

To safely realize the full potential of this outboard motor, you need a complete understanding of its operation and a certain amount of practice with its controls.

Before operating the outboard motor for the first time, please review the *IMPORTANT SAFETY INFORMATION* on page 7 and the chapter titled *BEFORE OPERATION*.

For your safety, avoid starting or operating the engine in an enclosed area. Your engine's exhaust contains poisonous carbon monoxide gas which can collect rapidly in an enclosed area and cause illness or death.

BREAK-IN PROCEDURE

Break-in period: 10 hours

Proper break-in operation allows the moving parts to wear in smoothly for best performance and long service life.

First 15 minutes:

Run the engine at trolling speed. Use the minimum throttle opening necessary to operate the boat at a safe trolling speed.

Next 45 minutes:

Run the engine up to a maximum of 2,000 to 3,000 rpm, which is about 10% to 30% of maximum throttle opening.

Next 60 minutes:

Run the engine up to a maximum of 4,000 to 5,000 rpm, which is about 50% to 80% of maximum throttle opening.

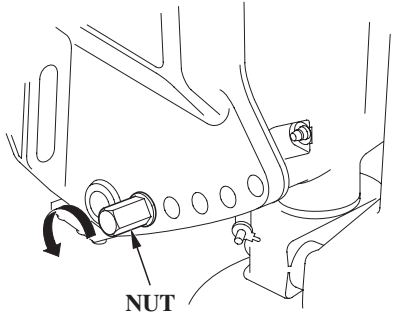
Short full-throttle bursts are OK, but do not operate the engine continuously at full throttle.

For boats that plane easily, bring the boat up on plane, and then reduce the throttle opening to the recommended rpm range.

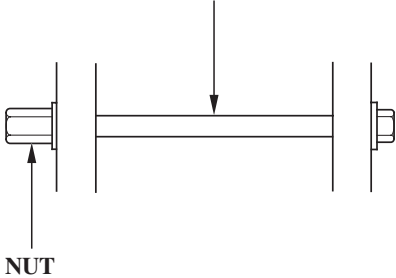
Next 8 hours:

Do not run the engine at full throttle for more than 5 minutes at a time.

**TRANSOM ANGLE
ADJUSTMENT**



**TRANSOM ANGLE
ADJUSTING ROD**



The transom angle adjusting rod limits the tilt angle of the outboard motor when fully lowered.

Proper adjustment prevents the outboard motor from being trimmed too low (p. 51).

To adjust, first tilt the outboard motor so it is not resting on the rod.

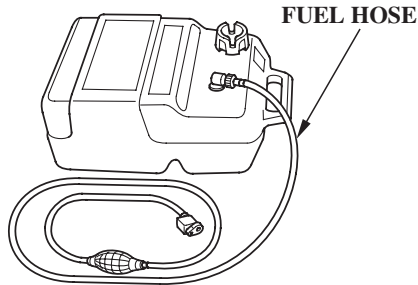
Remove the nut, then remove the rod and insert it in the desired position. Reinstall the nut and tighten it securely.

NOTICE

Do not allow water to enter the idle exhaust port or the engine can be damaged.

OPERATION

PORTABLE FUEL TANK (optional equipment)



Place the portable fuel tank (optional equipment) in a well-ventilated location, away from direct sunlight, to reduce the possibility of a gasoline vapor explosion.

To ensure that the outboard motor will be able to draw fuel from the tank, place the tank within 6 feet of the outboard motor and not more than 3 feet below the fuel connector on the outboard motor.

Secure the portable fuel tank in the boat, so it won't move around and become damaged.

Before use, open the fuel tank vent by turning the vent knob at least 2 or 3 turns counterclockwise.

⚠ WARNING

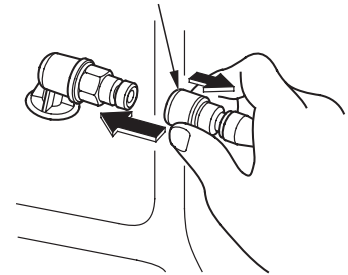
Gasoline is highly flammable and explosive.

You can be burned or seriously injured when handling fuel.

- Stop the engine and keep heat, sparks, and flame away.
- Handle fuel only outdoors.
- Wipe up spills immediately.

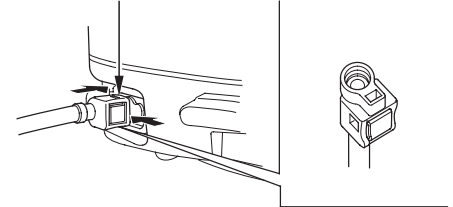
FUEL HOSE CONNECTIONS

FUEL HOSE CONNECTOR



(FUEL TANK SIDE)

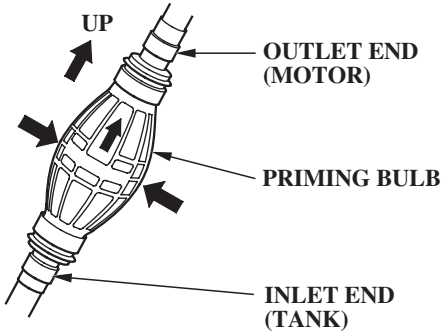
FUEL HOSE CONNECTOR



(OUTBOARD MOTOR SIDE)

Connect the fuel hose to the tank and the outboard motor, as shown. Be sure both connectors snap securely into place.

FUEL PRIMING



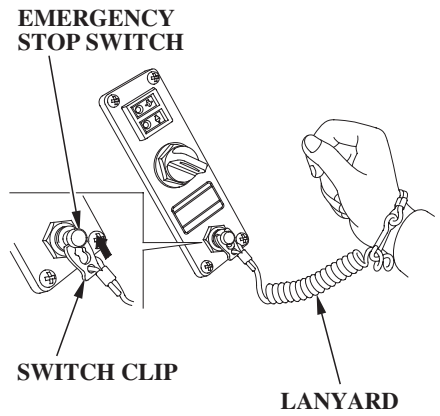
Hold the priming bulb up in the direction of the arrow, then squeeze the priming bulb several times until it feels firm, indicating that fuel has reached the engine.

Check to be sure there are no fuel leaks before starting the engine.

Do not squeeze the priming bulb when the engine is running.

STARTING THE ENGINE

Side-Mount Type



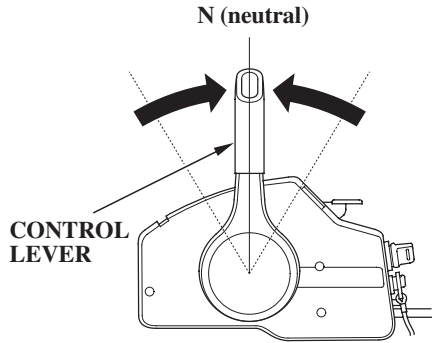
1. Put the emergency stop switch clip in the emergency stop switch, and attach the lanyard to your PFD (Personal Flotation Device) or to your wrist, as shown.

The engine will not start or run, unless the clip is in the switch.

The emergency stop switch clip and lanyard system is a safety device that will stop the engine if you fall away from the controls while operating the boat.

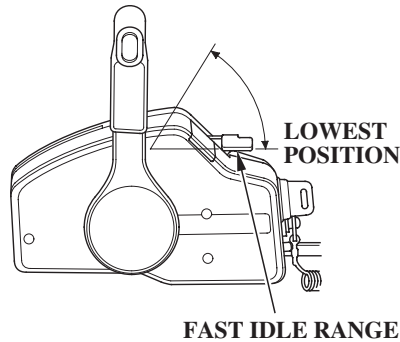
Always attach the lanyard to your PFD, or to your wrist, before starting the engine.

OPERATION



2. Set the control lever in the N (neutral) position.

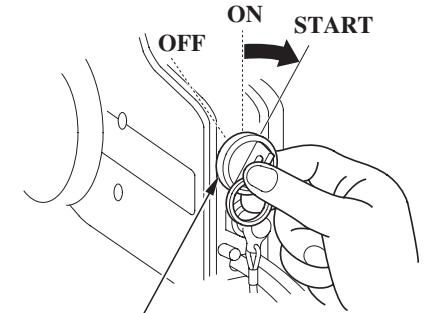
The engine will not start if the F (forward) or R (reverse) gears are engaged.



3. Leave the fast idle lever in the OFF (fully lowered) position.

Fast idle lever cannot be raised unless the control lever is in the N (neutral) position.

The control lever cannot be moved away from the N (neutral) position unless the fast idle lever is lowered.



IGNITION SWITCH KEY

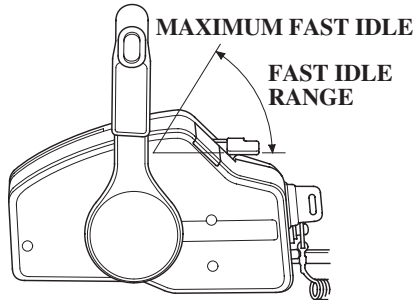
4. Turn the ignition switch key to the START position and hold it there until the engine starts.

When the engine starts, release the key, allowing it to return to the ON position.

If the engine fails to start within 5 seconds, release the key and wait at least 10 seconds before operating the starter again.

NOTICE

- *Using the electric starter for more than 5 seconds at a time will overheat the starter motor and can damage it.*
- *Turning the ignition switch key to the START position while the engine is running can damage the starter motor and flywheel.*



5. Before getting under way, allow the engine to warm up sufficiently to ensure good performance.

Above 41°F (5°C), warm up the engine for 2 or 3 minutes.

Below 41°F (5°C), warm up the engine for at least 10 minutes at 2,000 rpm. Raise the fast idle lever to achieve approximately 2,000 rpm.

During the warm-up period, check the oil pressure indicator (p. 30), overheating indicator (p. 30), and cooling system indicator (p. 31).

If the indicators show any abnormal condition, immediately stop the engine and determine the cause of the problem. Refer to *TAKING CARE OF UNEXPECTED PROBLEMS*, p. 85.

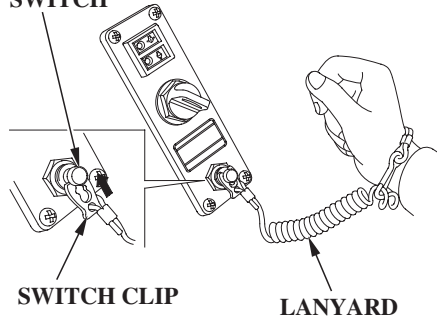
6. If the fast idle lever was used to warm up the engine, gradually lower the lever as the engine warms up.

When the fast idle lever is fully lowered, the control lever can be moved away from the N (neutral) position.

OPERATION

Panel-Mount Type

EMERGENCY STOP SWITCH

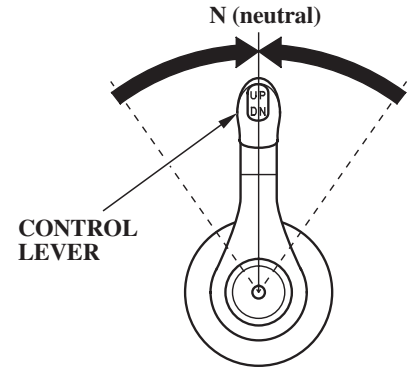


1. Put the emergency stop switch clip in the emergency stop switch, and attach the lanyard to your PFD (Personal Flotation Device) or to your wrist, as shown.

The engine will not start or run, unless the clip is in the switch.

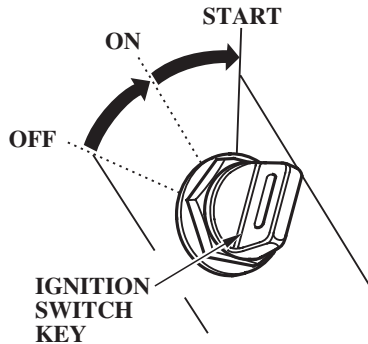
The emergency stop switch clip and lanyard system is a safety device that will stop the engine if you fall away from the controls while operating the boat.

Always attach the lanyard to your PFD, or to your wrist, before starting the engine.



2. Set the control lever in the N (neutral) position.

The engine will not start if the F (forward) or R (reverse) gears are engaged.



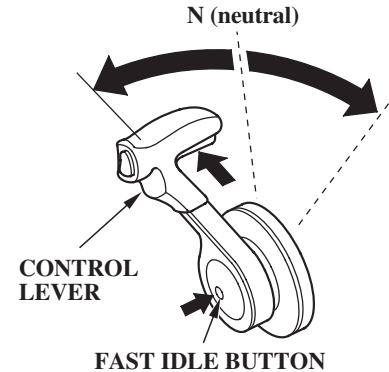
3. Turn the ignition switch key to the START position and hold it there until the engine starts.

When the engine starts, release the key, allowing it to return to the ON position.

If the engine fails to start within 5 seconds, release the key and wait at least 10 seconds before operating the starter again.

NOTICE

- *Using the electric starter for more than 5 seconds at a time will overheat the starter motor and can damage it.*
- *Turning the ignition switch key to the START position while the engine is running can damage the starter motor and flywheel.*



4. Before getting under way, allow the engine to warm up sufficiently to ensure good performance.

Above 41°F (5°C), warm up the engine for 2 or 3 minutes.

Below 41°F (5°C), warm up the engine for at least 10 minutes at 2,000 rpm. Push the fast idle button then move the control lever forward or reverse to open the throttle and achieve approximately 2,000 rpm.

OPERATION

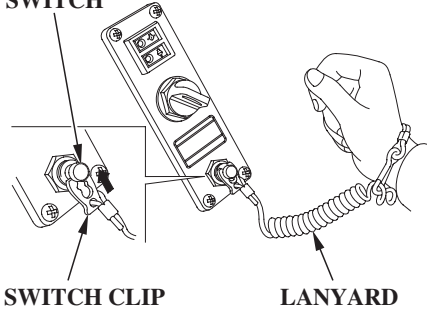
During the warm-up period, check the oil pressure indicator (p. 30), overheating indicator (p. 30), and cooling system indicator (p. 31).

If the indicators show any abnormal condition, immediately stop the engine and determine the cause of the problem. Refer to *TAKING CARE OF UNEXPECTED PROBLEMS*, p. 85.

5. If the fast idle control was used to warm up the engine, gradually return the control lever to the N (neutral) position as the engine warms up.

Top-Mount Type

EMERGENCY STOP SWITCH

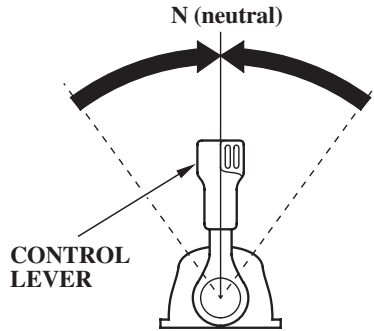


1. Put the emergency stop switch clip in the emergency stop switch, and attach the lanyard to your PFD (Personal Flotation Device) or to your wrist, as shown.

The engine will not start or run, unless the clip is in the switch.

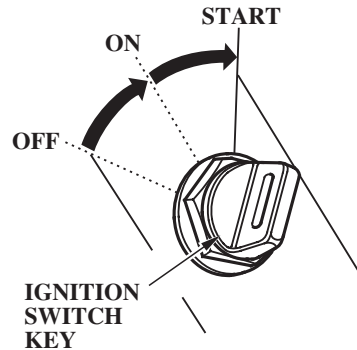
The emergency stop switch clip and lanyard system is a safety device that will stop the engine if you fall away from the controls while operating the boat.

Always attach the lanyard to your PFD, or to your wrist, before starting the engine.



2. Set the control lever in the N (neutral) position.

The engine will not start if the F (forward) or R (reverse) gears are engaged.



3. Turn the ignition switch key to the START position and hold it there until the engine starts.

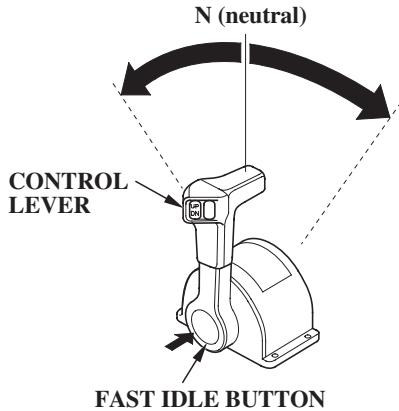
When the engine starts, release the key, allowing it to return to the ON position.

If the engine fails to start within 5 seconds, release the key and wait at least 10 seconds before operating the starter again.

NOTICE

- Using the electric starter for more than 5 seconds at a time will overheat the starter motor and can damage it.
- Turning the ignition switch key to the START position while the engine is running can damage the starter motor and flywheel.

OPERATION



4. Before getting under way, allow the engine to warm up sufficiently to ensure good performance.

Above 41°F (5°C), warm up the engine for 2 or 3 minutes.

Below 41°F (5°C), warm up the engine for at least 10 minutes at 2,000 rpm. Push the fast idle button then move the control lever forward or reverse to open the throttle and achieve approximately 2,000 rpm.

During the warm-up period, check the oil pressure indicator (p. 30), overheating indicator (p. 30), and cooling system indicator (p. 31).

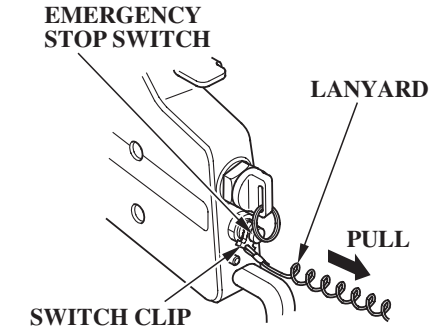
If the indicators show any abnormal condition, immediately stop the engine and determine the cause of the problem. Refer to *TAKING CARE OF UNEXPECTED PROBLEMS*, p. 85.

5. If the fast idle control was used to warm up the engine, gradually return the control lever to the N (neutral) position as the engine warms up.

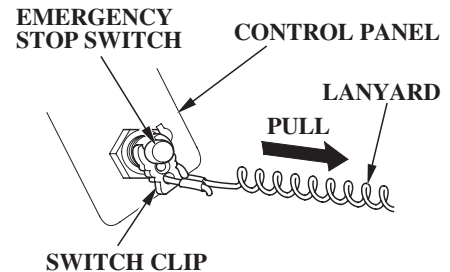
STOPPING THE ENGINE

Emergency Engine Stopping

Side-Mount Type



Panel-Mount/Top-Mount Types

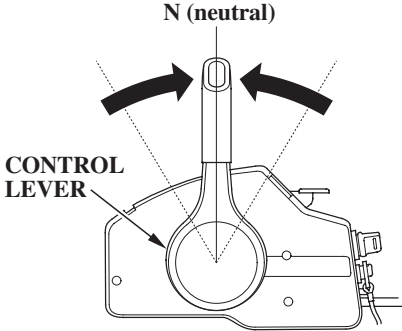


To stop the engine in an emergency, pull the clip out of the emergency stop switch by pulling the lanyard.

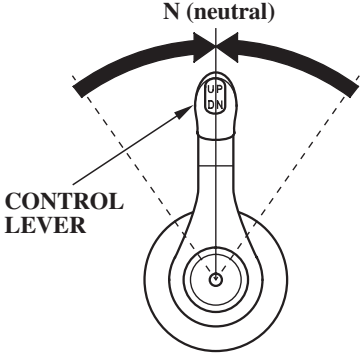
We suggest that you stop the engine this way occasionally to verify that the engine and emergency stop switch is operating properly.

Normal Engine Stopping

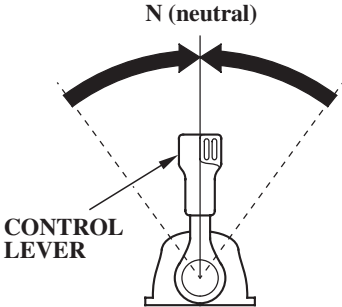
Side-Mount Type



Panel-Mount Type



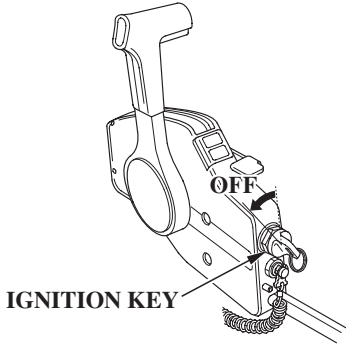
Top-Mount Type



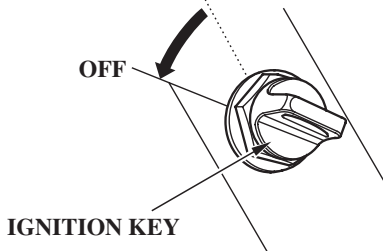
1. Move the control lever(s) to the N (neutral) position.

OPERATION

Side-Mount Type



Panel-Mount/Top-Mount Types



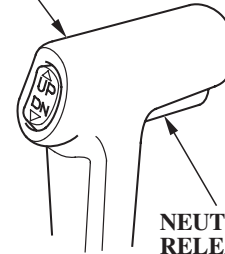
2. Turn the ignition switch key to the OFF position.

3. When the boat is not in use, remove and store the ignition key and the emergency stop switch clip and lanyard.

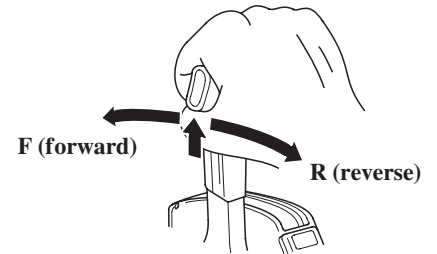
GEARSHIFTING AND THROTTLE OPERATION

Side-Mount Type

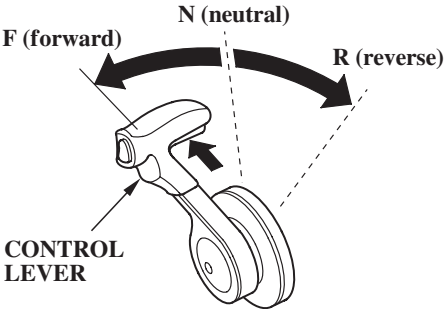
CONTROL LEVER



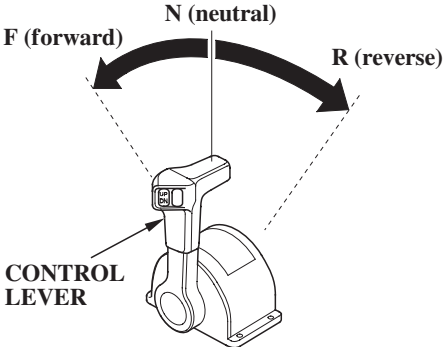
N (neutral)



Panel-Mount Type



Top-Mount Type

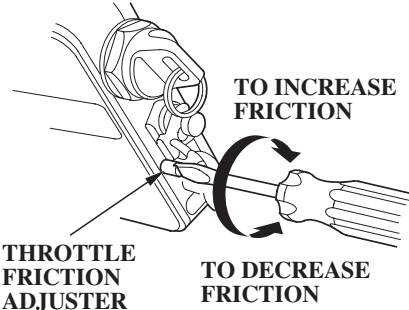


To shift gears, move the control lever to select F (forward), N (neutral) and R (reverse) gears.

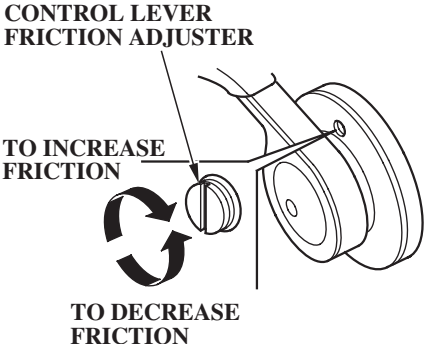
The control lever cannot be moved from the N (neutral) position unless the neutral release lever is squeezed (side-mount/panel-mount types).

Moving the control lever beyond the gear selection range increases engine speed.

Side-Mount Type

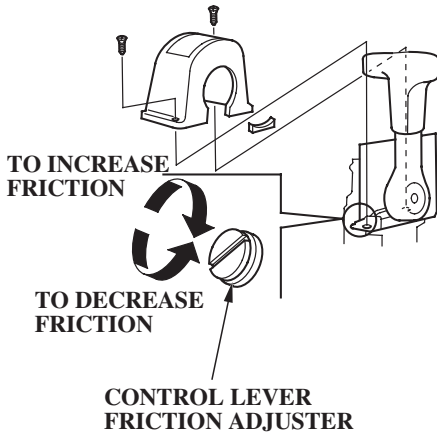


Panel-Mount Type



OPERATION

Top-Mount Type



Adjust the throttle friction adjuster so the control lever will hold a constant throttle setting while cruising.

STEERING

Steer the boat in the same manner as an automobile.

CRUISING

Engine Speed

For best fuel economy, limit the throttle opening to 80%. Use the throttle friction control (p. 49) to help you hold a steady speed.

For rough water conditions or large waves, slow down to prevent the propeller from rising out of the water.

The engine is equipped with an overrev limiter to prevent the possibility of mechanical damage from excessive engine speed.

If, for example, the outboard motor is tilted excessively, or propeller ventilation occurs during a sharp turn, the engine may overrev, activating the overrev limiter.

If engine speed becomes unstable at high speed due to activation of the overrev limiter, reduce speed and check the trim angle of the outboard

motor.

Trim

Use the power trim/tilt switch to trim the outboard motor for the best performance and stability.

You can use the power trim/tilt switch at any time, whether the boat is under way or stopped.

Press the UP or DN (down) side of the switch to adjust the angle of the outboard motor.

Refer to the trim meter (p. 28) for an indication of whether the boat is trimmed high or low.

It is necessary to trim the angle of the outboard motor to compensate for changes in boat load, weight distribution, water conditions, or propeller selection.

Under normal conditions, the boat will perform best when the

antiventilation plate is level with the water.

When cruising into a high wind, trim the outboard motor down slightly to level the boat and improve stability. With a tail wind, trim the outboard motor up slightly.

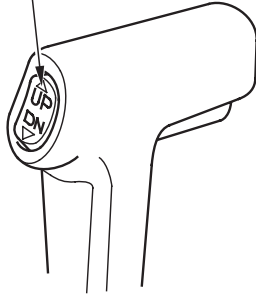
NOTICE

Excessive trim/tilt angle during operation can cause propeller ventilation, overheating, and water pump damage.

OPERATION

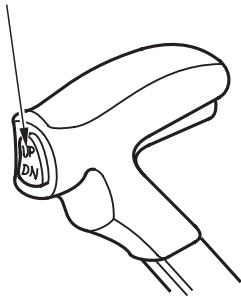
Side-Mount Type

POWER TRIM/TILT SWITCH



Panel-Mount Type

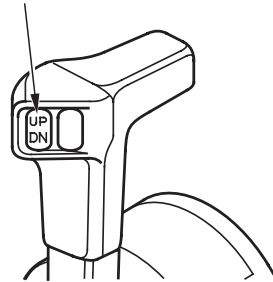
POWER TRIM/TILT SWITCH



Top-Mount Type

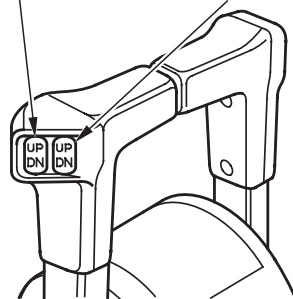
(single type)

POWER TRIM/TILT SWITCH



(dual type)

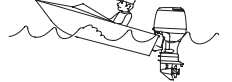
POWER TRIM/TILT SWITCH (LEFT) (RIGHT)



MOTOR TRIMMED TOO LOW



MOTOR TRIMMED TOO HIGH

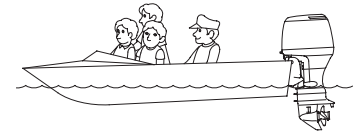


ROUGH WAVES

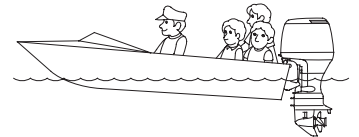
MOTOR TRIMMED CORRECTLY



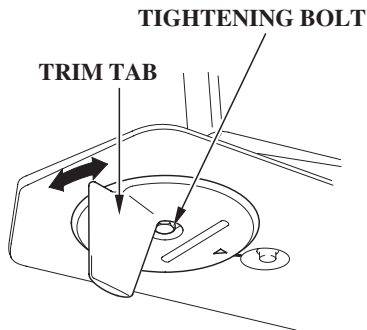
BOW TOO LOW DUE TO
1. LOAD IN THE FRONT
2. MOTOR TRIMMED TOO LOW



BOW TOO HIGH DUE TO
1. LOAD IN THE REAR
2. MOTOR TRIMMED TOO HIGH



If steering effort is not equal in both directions, adjust the trim tab to compensate for “torque steer,” which is the reaction of the outboard motor to propeller rotation.



Adjust the trim tab with the engine stopped. Loosen the bolt above the trim tab, turn the trim tab, then tighten the bolt securely.

When the trim tab is correctly adjusted, steering effort will be equal in both directions.

SHALLOW WATER OPERATION

When operating in shallow water, use the power trim/tilt switch (p. 52) to tilt the outboard motor, so the propeller and gear case won't hit the bottom.

Proceed at low speed, and monitor water flow from the cooling system indicator (p. 31) to be sure the outboard motor is not tilted so high that the water intakes are out of the water.

NOTICE

An excessive trim/tilt angle during operation can cause propeller ventilation, overheating, and water pump damage. This type of damage is not covered by the Distributor's Limited Warranty.

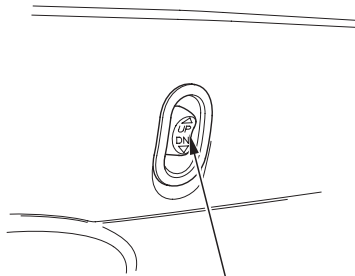
MOORING, BEACHING, LAUNCHING

To raise the outboard motor out of the water while the engine is stopped and the boat is moored, or for maximum clearance when beaching or launching, use the power tilt switch on the engine pan to tilt the outboard motor as far as it will go, move the tilt lock lever to the LOCK position, then gently lower the outboard motor until the lever contacts the stern bracket.

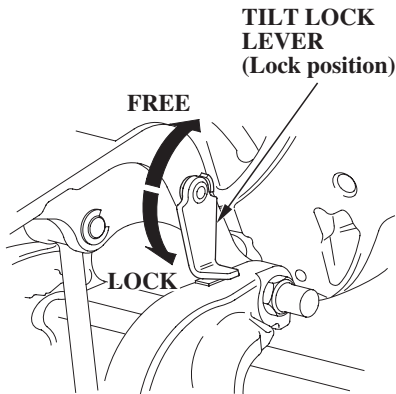
If more clearance is needed to swing the tilt lock lever into the LOCK position, rock the outboard motor back slightly by pulling on the engine cover grip.

To lower the outboard motor, tilt up, move the tilt lock lever to the FREE position, then lower the outboard motor to the desired position.

OPERATION



POWER TILT SWITCH



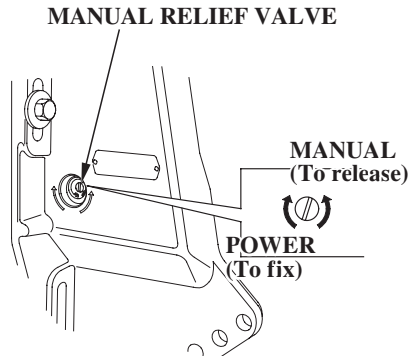
**TILT LOCK LEVER
(Lock position)**

FREE

LOCK

NOTICE

Do not attempt to use the power tilt switch to tilt the outboard motor down while the tilt lock lever is in the lock position. Damage to the power tilt system may occur.



MANUAL RELIEF VALVE

**MANUAL
(To release)**

**POWER
(To fix)**

The outboard motor can also be tilted manually after opening the manual relief valve. This feature enables the outboard motor to be tilted when no battery is connected.

For manual tilting, use a screwdriver to turn the valve counterclockwise 1 or 2 turns. Close the valve firmly after positioning the engine.

Be sure the valve is closed before operating the outboard motor. If the valve is not closed, the outboard motor will tilt up when operated in reverse.

SERVICING YOUR OUTBOARD MOTOR

THE IMPORTANCE OF MAINTENANCE

Good maintenance is essential for safe, economical, and trouble-free operation. It will also help reduce air pollution.

WARNING

Improperly maintaining this outboard motor, or failure to correct a problem before operation, can cause a malfunction in which you could be seriously hurt or killed.

Always follow the inspection and maintenance recommendations and schedules in this owner's manual.

To help you properly care for your outboard motor, the following pages include a maintenance schedule, routine inspection procedures, and simple maintenance procedures using basic hand tools. Other service tasks that are more difficult, or require special tools, are best handled by professionals and are normally performed by a Honda technician or other qualified mechanic.

The maintenance schedule applies to normal operating conditions. If you operate your outboard motor under unusual conditions, consult an authorized Honda marine dealer for recommendations applicable to your individual needs and use.

Remember that your authorized Honda marine dealer knows your outboard motor best and is fully equipped to maintain and repair it.

To ensure the best quality and reliability, use only new, genuine Honda parts or their equivalents for repair and replacement.

Maintenance, replacement, or repair of the emission control devices and systems may be performed by any marine engine repair establishment or individual, using parts that are “certified” to EPA standards.

SERVICING YOUR OUTBOARD MOTOR

MAINTENANCE SAFETY

Some of the most important safety precautions follow. However, we cannot warn you of every conceivable hazard that can arise in performing maintenance. Only you can decide whether or not you should perform a given task.

WARNING

Failure to properly follow maintenance instructions and precautions can cause you to be seriously hurt or killed.

Always follow the procedures and precautions in the owner's manual.

Safety Precautions

- Make sure the engine is off before you begin any maintenance or repairs. This will eliminate several potential hazards:

- **Carbon monoxide poisoning from engine exhaust.**

Be sure there is adequate ventilation whenever you operate the engine.

- **Burns from hot parts.**

Let the engine and exhaust system cool before touching.

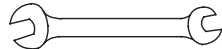
- **Injury from moving parts.**

Do not run the engine unless instructed to do so.

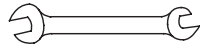
- Read the instructions before you begin, and make sure you have the tools and skills required.
- To reduce the possibility of fire or explosion, be careful when working around gasoline. Use only a nonflammable solvent, not gasoline, to clean parts. Keep cigarettes, sparks, and flames away from all fuel-related parts.
- Wear gloves when handling the propeller to protect your hands from sharp edges.

SERVICING YOUR OUTBOARD MOTOR

TOOL KIT (optional equipment)



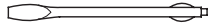
14 × 17 mm WRENCH



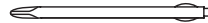
10 × 12 mm WRENCH



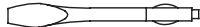
8 mm WRENCH



FLAT SCREWDRIVER



PHILLIPS SCREWDRIVER



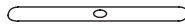
GEAR OIL CHECK SCREWDRIVER



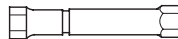
BOX WRENCH



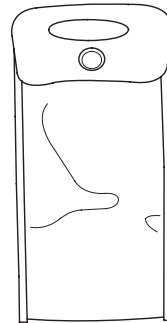
PLIERS



SCREWDRIVER HANDLE

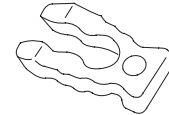


SPARK PLUG WRENCH



TOOL BAG

SPARE EMERGENCY STOP SWITCH CLIP



The following tool kit can be purchased from an authorized Honda marine dealer and may be used for simple maintenance procedures and emergency repairs. Keep this tool kit or an equivalent onboard, so they will always be available if you need them.

Always carry a spare emergency stop switch clip onboard. The spare clip may either be stored in the optional tool bag or in an easily accessible location on the boat.

SERVICING YOUR OUTBOARD MOTOR

MAINTENANCE SCHEDULE

| REGULAR SERVICE PERIOD (3) Perform at every indicated month or operating hour interval, whichever comes first. | | Each use | After use | First month or 20 hrs. | Every 6 months or 100 hrs. | Every year or 200 hrs. | Every 2 years or 400 hrs. |
|---|--------------|----------|-----------|------------------------|----------------------------|------------------------|---------------------------|
| ITEM | | | | | | | |
| • Engine oil | Check level | ○ | | | | | |
| | Change | | | ○ | ○ | | |
| Gear case oil | Change | | | ○ (2) | ○ (2) | | |
| • Engine oil filter | Replace | | | | | ○ (2) | |
| Timing belt | Check-adjust | | | | | ○ (2) | |
| Blancer belt | Check-adjust | | | | | ○ (2) | |
| ACG belt | Check-adjust | | | | | ○ (2) | |
| Throttle linkage | Check-adjust | | | ○ (2) | ○ (2) | | |
| • Idling speed | Check-adjust | | | ○ (2) | ○ (2) | | |
| • Valve clearance | Check-adjust | | | ○ (2) | | ○ (2) | |
| • Spark plug | Check-adjust | | | | ○ | | |
| | Replace | | | | | ○ | |
| Propeller and Cotter pin | Check | ○ | | | | | |
| Anode | Check | ○ | | | | | |
| Lubrication | Grease | | | ○ (1) | ○ (1) | | |

• Emission related items.

- (1) Lubricate more frequently when used in salt water.
- (2) These items should be serviced by an authorized Honda marine dealer, unless you have the proper tools and are mechanically proficient. Refer to the Honda shop manual for service procedures.
- (3) For professional/commercial use, log hours of operation to determine proper maintenance intervals.
- (4) When operating in salt water, turbid or muddy water, the engine should be flushed with clean water after each use.

SERVICING YOUR OUTBOARD MOTOR

| REGULAR SERVICE PERIOD (3) Perform at every indicated month or operating hour interval, whichever comes first. | | Each use | After use | First month or 20 hrs. | Every 6 months or 100 hrs. | Every year or 200 hrs. | Every 2 years or 400 hrs. |
|---|--|-----------------------|---------------------------|----------------------------------|----------------------------|---------------------------|---------------------------|
| ITEM | | | | | | | |
| • | Water separator Check | <input type="radio"/> | | | | | |
| • | Fuel tank and tank filter Clean | | | | | <input type="radio"/> | |
| • | Fuel filter Check | | | | <input type="radio"/> | | |
| | Replace | | | | | | <input type="radio"/> |
| • | Fuel filter (High pressure type) Replace | | | | | | <input type="radio"/> (2) |
| | Thermostat Check | | | | | <input type="radio"/> (2) | |
| • | Fuel line Check | <input type="radio"/> | | | | | |
| | Replace | | | Every 2 years (If necessary) (2) | | | |
| | Battery and cable connection Check level-tightness | <input type="radio"/> | | | | | |
| | Bolts and Nuts Check-tightness | | | <input type="radio"/> (2) | <input type="radio"/> (2) | | |
| • | Crankcase breather tube Check | | | | | <input type="radio"/> (2) | |
| | Cooling water passages Clean | | <input type="radio"/> (4) | | | | |

• Emission related items.

- (1) Lubricate more frequently when used in salt water.
- (2) These items should be serviced by an authorized Honda marine dealer, unless you have the proper tools and are mechanically proficient. Refer to the Honda shop manual for service procedures.
- (3) For professional/commercial use, log hours of operation to determine proper maintenance intervals.
- (4) When operating in salt water, turbid or muddy water, the engine should be flushed with clean water after each use.

SERVICING YOUR OUTBOARD MOTOR

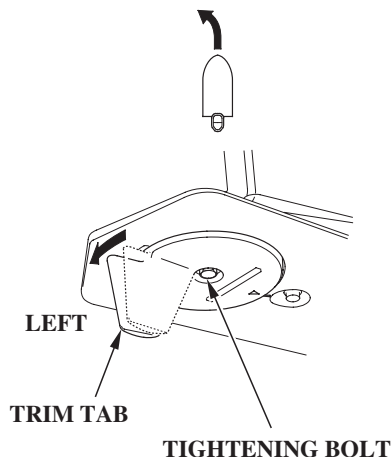
TRIM TAB ADJUSTMENT

The trim tab compensates for “torque steer” which is a reaction of the outboard motor to propeller rotation.

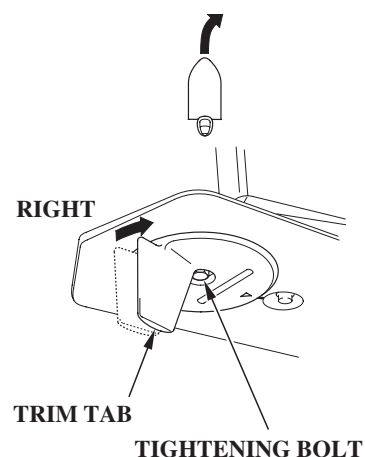
If uncompensated, torque steer would make the outboard motor tend to turn to one side.

When the trim tab is correctly adjusted, steering effort is equal in either direction.

If steering effort is unequal, loosen the trim tab bolt and adjust the angle of the trim tab. Retighten the trim tab bolt securely.



If less effort is required to make left turns, move the back of the trim tab left.

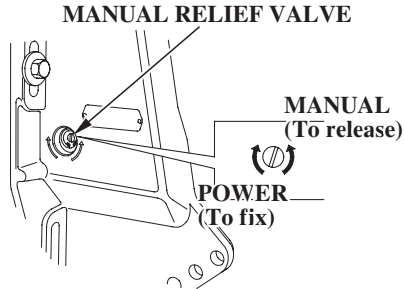


If less effort is required to make right turns, move the back of the trim tab right.

Adjust the trim tab in small increments, and retest steering effort with the boat evenly loaded and running at cruising speed.

SERVICING YOUR OUTBOARD MOTOR

MANUAL RELIEF VALVE

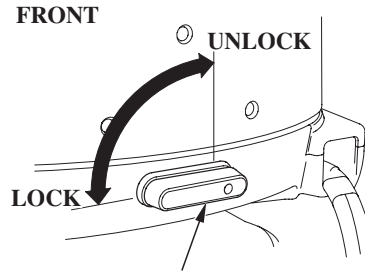


The outboard motor can be tilted manually after opening the manual relief valve. This feature enables the outboard motor to be tilted when no battery is connected.

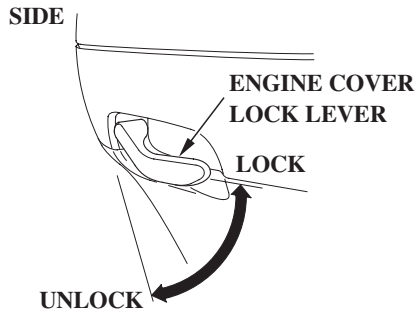
For manual tilting, use a screwdriver to turn the valve counterclockwise 1 or 2 turns. Close the valve firmly after positioning the outboard motor.

Be sure the valve is closed before operating the outboard motor. If the valve is not closed, the outboard motor will tilt up when operated in reverse.

ENGINE COVER REMOVAL AND INSTALLATION



ENGINE COVER LOCK LEVER



The engine cover lock levers fasten the engine cover to the outboard motor.

To remove the engine cover, turn both front and side levers to the unlocked position, then lift the engine cover off the outboard motor.

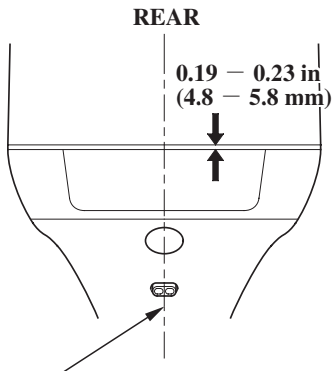
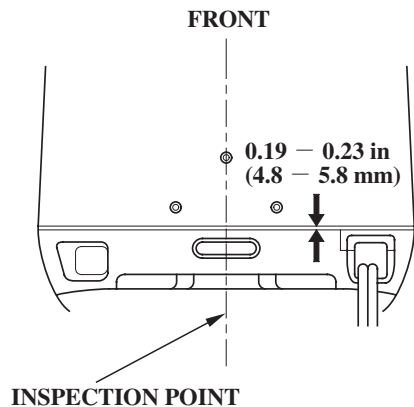
To install the engine cover, place the cover on the outboard motor, then turn both front and side lock levers to the locked position.

SERVICING YOUR OUTBOARD MOTOR

Lock Lever Adjustment

A loose engine cover may rattle or allow water to enter. Check whether the engine cover fits properly and adjust if necessary.

Engine Cover Clearance Inspection



INSPECTION POINT

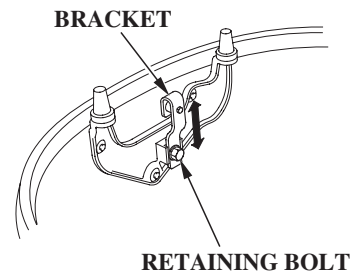
With the engine cover in place and both front and side lock levers in the locked position, measure the clearance between the engine cover and the engine undercase at the lock levers.

Specified engine cover clearance:
 $0.19 - 0.23$ in ($4.8 - 5.8$ mm)

If the clearance is outside the specified range, adjust the lock lever brackets.

Lock Lever Bracket Adjustment

1. Remove the engine cover.



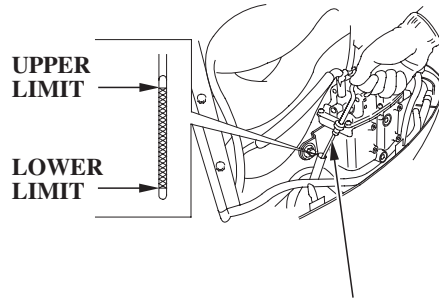
2. Loosen the retaining bolts on the front and/or side lock lever brackets, and move the bracket(s) as necessary to obtain the specified engine cover clearance.
3. After adjustment, tighten the retaining bolts securely, and install the engine cover.
4. Recheck the engine cover clearance, and readjust if necessary.

SERVICING YOUR OUTBOARD MOTOR

Engine Oil Level Check

Check the engine oil level with the engine stopped and the outboard motor in the vertical position.

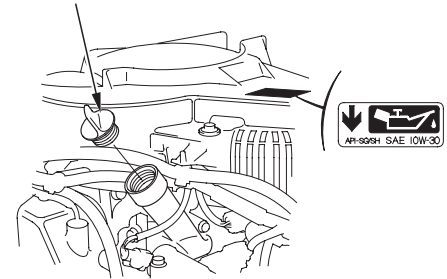
1. Unlock and remove the engine cover (p. 61).
2. Remove the dipstick and wipe it clean.



OIL LEVEL DIPSTICK

3. Insert the dipstick all the way in, then remove it and check the oil level shown on the dipstick.

OIL FILLER CAP



4. If the oil level is low, remove the oil filler cap, and add oil to reach the upper limit mark shown on the dipstick. Use the oil recommended on p. 67.

NOTICE

Running the engine with a low oil level can cause engine damage.

5. Install the oil filler cap and tighten it securely.
6. Install and lock the engine cover.

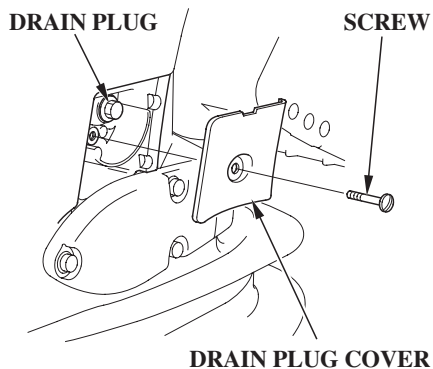
SERVICING YOUR OUTBOARD MOTOR

Engine Oil Change

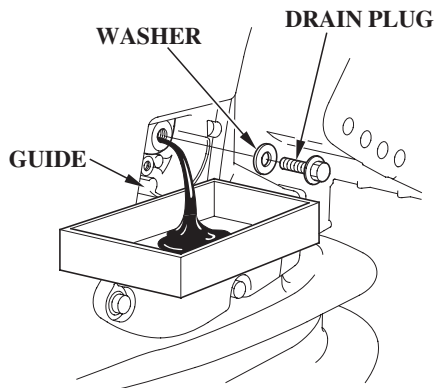
An engine oil evacuation/filling device may be used to remove/add the engine oil.

Drain the used oil while the engine is warm. Warm oil drains quickly and completely.

1. Unlock and remove the engine cover (p. 61).



2. Remove the screw from the oil drain cover, and remove the cover.



3. Place a suitable container below the oil drain guide to catch the used oil, then remove the oil filler cap and the drain plug.
4. Allow the used oil to drain completely, then reinstall the engine oil drain plug, and tighten it securely.

NOTICE

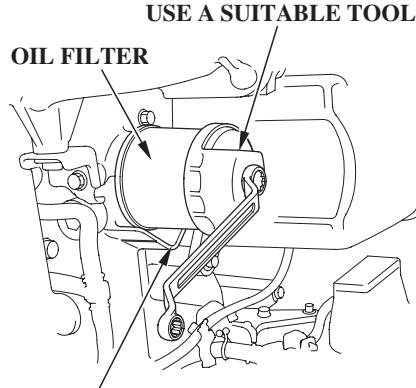
Improper disposal of engine oil can be harmful to the environment. If you change your own oil, please dispose of the used oil properly. Put it in a sealed container, and take it to a recycling center. Do not discard it in a trash bin or dump it on the ground.

5. Install the oil drain cover and secure it with the screw.
6. With the outboard motor in a vertical position, fill to the upper limit mark on the dipstick (p. 63) with the recommended oil.
Engine oil refill capacity:
Without oil filter change:
5.9 US qt (5.6 l)
With oil filter change:
6.9 US qt (6.5 l)
7. Install the oil filler cap and tighten it securely.
8. Install and lock the engine cover.

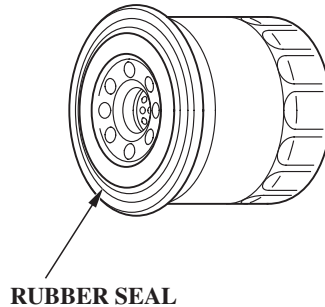
SERVICING YOUR OUTBOARD MOTOR

Oil Filter Change

1. Drain the engine oil, and reinstall the drain plug and oil drain cover (see Engine Oil Change on p. 64).
2. Tilt the outboard motor, and place a suitable container below the oil drain guide to catch the used oil.
3. Use a suitable tool to remove the oil filter, and thoroughly drain the filter into the used oil container.



OIL DRAIN GUIDE



4. Clean the oil filter mounting base, and coat the gasket of the new oil filter with clean engine oil.

NOTICE

Use only a genuine Honda oil filter or a filter of equivalent quality specified for your model. Using the wrong filter, or a non-Honda filter which is not of equivalent quality, may cause engine damage.

5. Screw on the new filter by hand until it contacts the engine, then use a suitable tool to tighten the filter an additional 7/8 turn.

OIL FILTER TIGHTENING TORQUE:

16 lbf·ft (22 N·m , 2.2 kgf·m)

SERVICING YOUR OUTBOARD MOTOR

6. Return the outboard motor to the vertical position, and fill the crankcase with the specified amount (p. 64) of the recommended oil.

7. Start the engine and check for leaks.

NOTICE

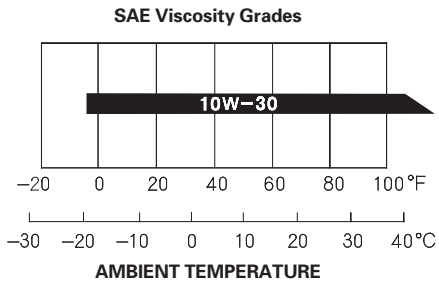
Running the engine without water can cause serious engine damage. If you are changing the oil filter while the outboard motor is out of the water, use the water hose adapter (optional part) and a hose to supply water.

8. Stop the engine, and check the oil level as described on page 63 . If necessary, add oil to bring the oil level to the upper limit mark on the dipstick.

SERVICING YOUR OUTBOARD MOTOR

Engine Oil Recommendations

Oil is a major factor affecting performance and service life. Use 4-stroke automotive detergent oil.



SAE 10W-30 is recommended for general use.

The SAE oil viscosity and service classification are in the API label on the oil container. Honda recommends that you use API SERVICE category SG, or SH oil with the “starburst” certification mark displayed on the container.

SERVICING YOUR OUTBOARD MOTOR

Lubrication Points

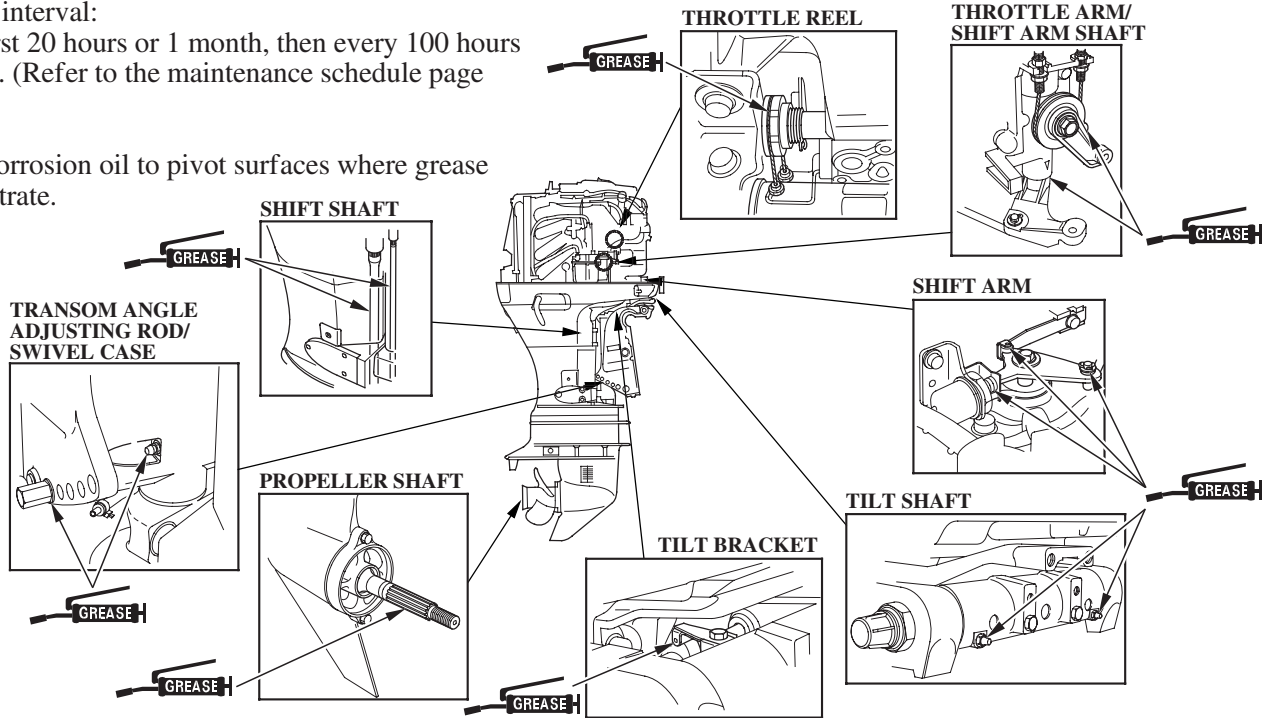
Wipe the outside of the engine with a cloth dipped in oil.

Apply marine anticorrosion grease to the following parts:

Lubrication interval:

After the first 20 hours or 1 month, then every 100 hours or 6 months. (Refer to the maintenance schedule page 58).

Apply anticorrosion oil to pivot surfaces where grease cannot penetrate.



Apply Honda Marine Corrosion Inhibitor (or equivalent) to all areas under the engine cover except the belts.

SERVICING YOUR OUTBOARD MOTOR

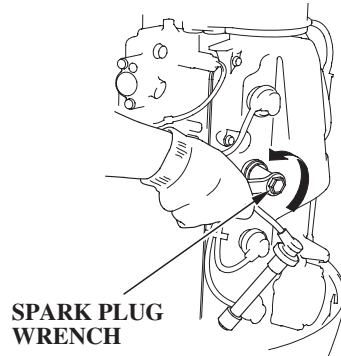
Spark Plug Service

RECOMMENDED SPARK PLUGS:
ZFR7F-8 (NGK)
KJ22CR-L8 (DENSO)

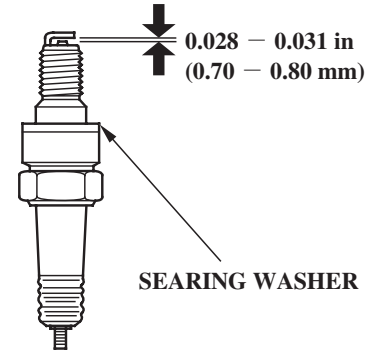
NOTICE

Incorrect spark plugs can cause engine damage.

1. Unlock and remove the engine cover (p. 61).
2. Disconnect the spark plug caps from the spark plugs.
3. Remove the spark plugs with a spark plug wrench.

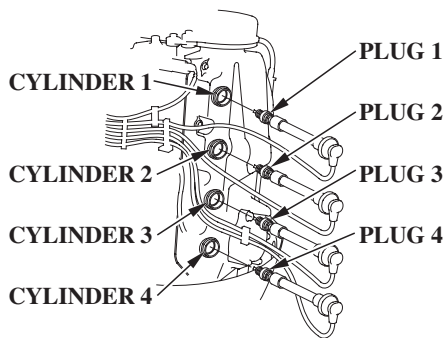


4. Inspect the spark plugs. Replace them if the electrodes are worn, or if the insulators are cracked or chipped. Clean the spark plugs with a wire brush if you are going to reuse them.



5. Measure the spark plug electrode gap with a suitable gauge. The gap should be 0.028 - 0.031 inches (0.70 - 0.80 mm).

SERVICING YOUR OUTBOARD MOTOR



6. Install the spark plugs carefully, by hand, to avoid cross-threading.

7. After each spark plug seats, tighten with a spark plug wrench to compress the sealing washer.

If reinstalling used spark plugs, tighten 1/8 - 1/4 turn after the spark plugs seat.

If installing new spark plugs, tighten 1/2 turn after the spark plugs seat.

NOTICE

Loose spark plugs can overheat and damage the engine.

Overtightening the spark plugs can damage the threads in the cylinder head.

8. Attach the spark plug caps. Each cord is marked with a number near the spark plug cap. Match the cord numbers with the cylinder numbers, as shown.

9. Install and lock the engine cover.

SERVICING YOUR OUTBOARD MOTOR

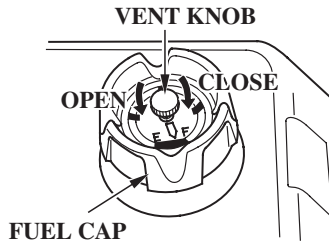
REFUELING

Portable Fuel Tank (optional equipment)

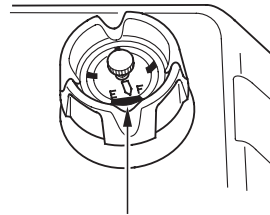
FUEL TANK CAPACITY:
6.61 US gal (25.0 l)

Check the fuel gauge and refill the tank when necessary.

Remove the fuel tank from the boat for refueling.

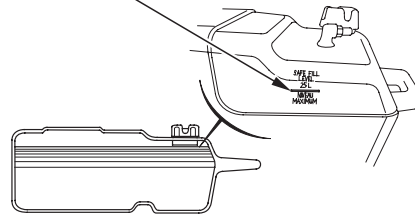


To refuel, turn the vent knob counterclockwise to the OPEN position, and unscrew the fuel tank cap.



FUEL GAUGE

SAFE FILL LEVEL



Refuel in a well-ventilated area. Fill the tank to the SAFE FILL LEVEL line.

After refueling, install the cap and tighten it securely. Turn the vent knob clockwise to the CLOSED position, and return the fuel tank to the boat.

⚠ WARNING

Gasoline is highly flammable and explosive.

You can be burned or seriously injured when handling fuel.

- Stop the engine and keep heat, sparks, and flame away.
- Handle fuel only outdoors.
- Wipe up spills immediately.

Never refill the fuel tank inside a building where gasoline fumes may reach flames or sparks. Keep gasoline away from appliance pilot lights, barbecues, electric appliances, power tools, etc.

Spilled fuel is not only a fire hazard, it causes environmental damage. Wipe up spills immediately.

SERVICING YOUR OUTBOARD MOTOR

FUEL RECOMMENDATIONS

Use unleaded gasoline with a pump octane rating of 86 or higher.

Your outboard motor is certified to operate on unleaded gasoline. Unleaded gasoline produces fewer engine and spark plug deposits and extends exhaust system life.

Never use stale or contaminated gasoline or an oil/gasoline mixture. Avoid getting dirt or water in the fuel tank.

Occasionally you may hear a light “spark knock” or “pinging” (metallic rapping noise) while operating under heavy loads. This is no cause for concern.

If spark knock or pinging occurs at a steady engine speed, under normal load, change brands of gasoline. If spark knock or pinging persists, see an authorized Honda marine dealer.

NOTICE

Running the engine with persistent spark knock or pinging can cause engine damage.

Running the engine with persistent spark knock or pinging is misuse, and the *Distributor's Limited Warranty* does not cover parts damaged by misuse.

Fuel Pump Filter Inspection and Replacement

The fuel pump filter is located under the engine cover between the fuel coupling and the fuel pump.

Water or sediment accumulated in the filter can cause loss of power or hard starting. To prevent engine malfunction, inspect the filter and replace when necessary.

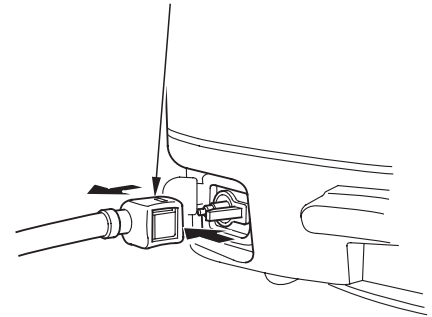
⚠ WARNING

Gasoline is highly flammable and explosive.

You can be burned or seriously injured when handling fuel.

- Stop the engine and keep heat, sparks, and flame away.
- Handle fuel only outdoors.
- Wipe up spills immediately.

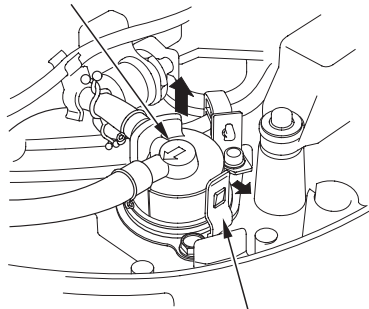
FUEL HOSE CONNECTOR



1. Remove the engine cover and disconnect the fuel hose connector from the outboard motor.

SERVICING YOUR OUTBOARD MOTOR

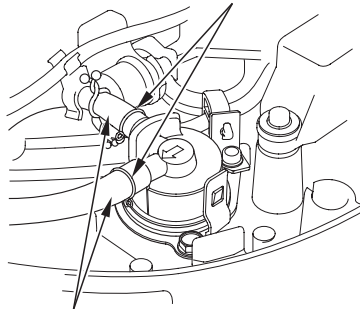
FUEL FILTER



SPRING RETAINER

2. Pull the spring retainer toward you, and raise the fuel filter.
3. Check the fuel filter for water accumulation or sediment. If no water or sediment are found, reinstall the fuel filter properly.

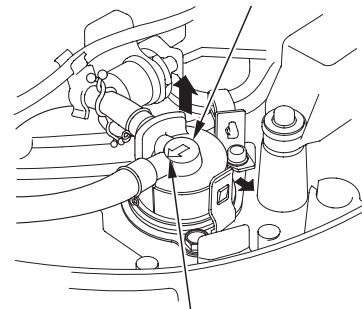
FUEL HOSE CLAMPS



FUEL HOSES

4. Remove the fuel filter.
Before removing the fuel filter, to prevent fuel leakage, place fuel hose clamps on the fuel hoses at the each side of the fuel filter.

FUEL FILTER



ARROW (Fuel Flow Direction)

5. Install the new fuel filter so the arrow on the fuel filter points toward the fuel pump.

Fuel flow will be reduced if the fuel filter is installed backward.
6. Connect the fuel hoses to the fuel filter securely with the hose clips. Remove the fuel hose clamps used to close the fuel hoses.

SERVICING YOUR OUTBOARD MOTOR

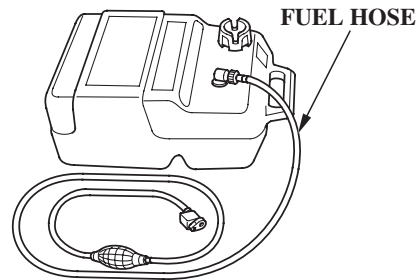
7. Securely connect the fuel hose connector to the outboard motor (refer to page 38).
8. Prime the engine using the priming bulb (refer to page 39). Check for fuel leaks.
Repair any fuel leaks if necessary.

If loss of power or hard starting are found to be caused by excessive water or sediment accumulation in the fuel filter, inspect the fuel tank.

Clean the fuel tank and tank filter if necessary. It may be necessary to drain the fuel tank completely and refill with fresh gasoline.

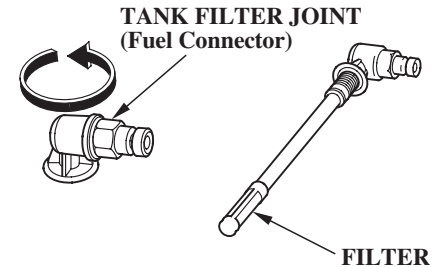
Portable Fuel Tank and Filter Cleaning (optional equipment)

Fuel Tank



Empty the portable fuel tank into an approved gasoline container. Use a funnel to avoid spilling fuel. Rinse the fuel tank with nonflammable solvent to remove any accumulated sediment.

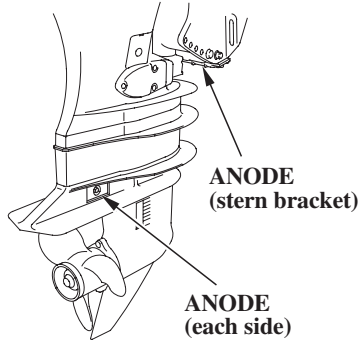
Fuel Tank Filter



1. Unscrew the fuel hose connector by turning it counterclockwise, then remove the fuel hose connector and fuel filter from the tank.
2. Clean the filter in nonflammable solvent. Inspect the fuel tank filter and the connector O-ring. Replace them if damaged.
3. Reinstall the filter and hose connector in the fuel tank. Tighten the hose connector securely.

SERVICING YOUR OUTBOARD MOTOR

Anode Replacement

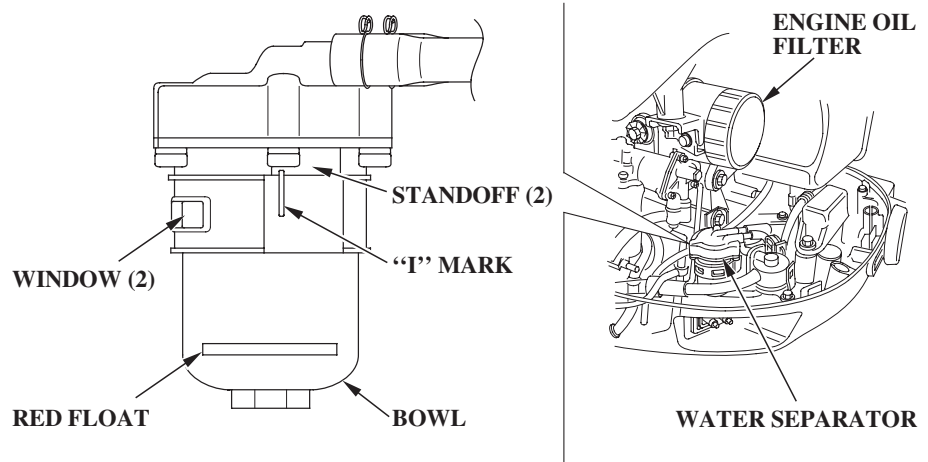


Anodes are located on each side of the gearcase. They are made of a sacrificial material and help protect the outboard motor from corrosion. Replace the anodes when they are reduced to about half their original size, or if they are crumbling.

NOTICE

Painting or coating the anodes will defeat their purpose and will lead to rust and corrosion damage to the outboard motor. The anodes must be exposed to the water in order to protect the outboard motor.

Water Separator Inspection and Service



A water separator is located below the engine oil filter. If water gets past the water separator, the water can cause loss of power, hard starting, and/or possible fuel injection system damage. Check the water level in the water separator before each use. The red float will indicate the water level. When the red float lifts off the bottom of the bowl or if the red float is not visible, remove and clean the water separator. Consult with an authorized Honda Marine dealer for cleaning if necessary.

NOTICE

If the engine is operated with the water in the water separator, water can enter the fuel injection system resulting in fuel system damage.

SERVICING YOUR OUTBOARD MOTOR

⚠ WARNING

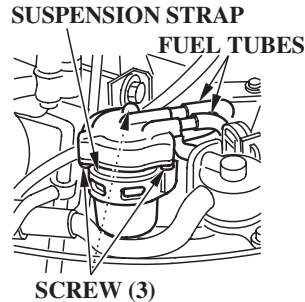
Gasoline is highly flammable and explosive.

You can be burned or seriously injured when handling fuel.

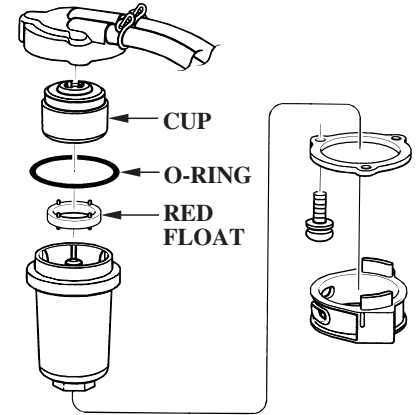
- Stop the engine and keep heat, sparks, and flame away.
- Handle fuel only outdoors.
- Wipe up spills immediately.

1. Disconnect the fuel connector (see page 73).
2. Remove the engine cover (see page 61).
3. Remove the water separator and suspension strap from the water separator bracket.

4. To prevent fuel leakage, clamp the fuel tubes with fuel tube clamps.
5. Remove the suspension strap, three screws, and bowl.



6. Thoroughly clean the bowl. Replace the O-ring and reassemble the water separator.
TIGHTENING TORQUE:
3.4 N·m (0.35 kgf·m , 2.5 lbf·ft)
7. Install suspension strap and align the “I” mark with screw (see page 76).
8. Reattach the water separator to the water separator bracket.



9. Remove fuel tube clamps and connect the fuel connector. Use the priming bulb to fill the water separator. Check for leaks and repair immediately if necessary.

If excessive water or sediment was found in the water separator, inspect the fuel tank. Clean the fuel tank and fuel tank filter if necessary. It may be necessary to drain the fuel tank completely and refill with fresh gasoline.

SERVICING YOUR OUTBOARD MOTOR

Propeller Replacement

Before replacing the propeller, remove the clip from the engine stop switch to prevent any possibility of the engine being started while you are working with the propeller.

The propeller blades may have sharp edges, so wear heavy gloves to protect your hands.

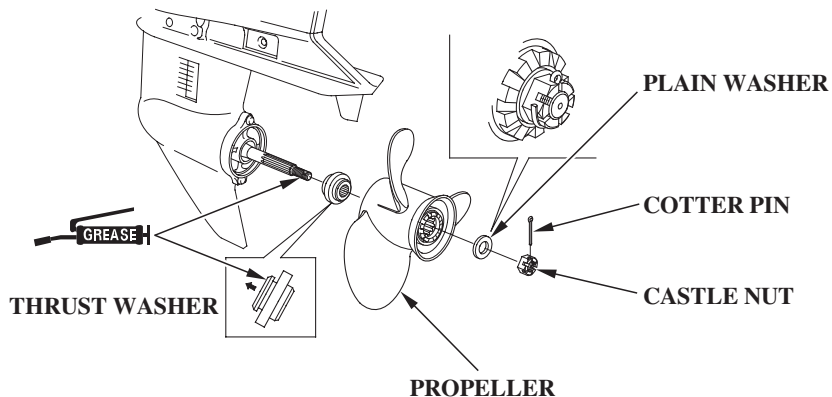
Removal

1. Remove the cotter pin, unscrew the castle nut, remove the washer, then remove the propeller and thrust washer.
2. Inspect the propeller shaft for any fishing line or debris.

Installation

1. Apply marine-grade grease to the propeller shaft and beveled surface of the thrust washer.
2. Install the propeller in the reverse order of removal.

- Install the thrust washer with the grooved side toward the gear case.
- Use a genuine Honda cotter pin and bend the pin ends as shown.



STORAGE PREPARATION

Proper storage preparation is essential for keeping your outboard motor troublefree and looking good. The following steps will help to keep rust and corrosion from impairing your outboard motor's function and appearance, and will make the engine easier to start when you use the outboard motor again.

Cleaning and Flushing

Thoroughly clean and flush the outboard motor with fresh water after operation in dirty water or salt water.

Touch up any damaged paint, and coat areas that may rust with Honda Corrosion Inhibitor, or equivalent. Lubricate controls with a silicone spray lubricant.

Cleaning

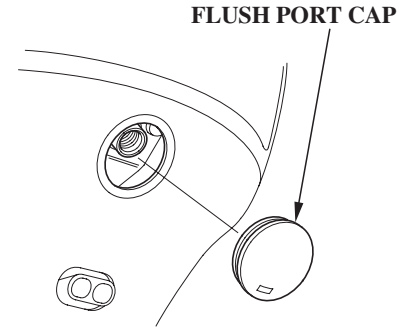
Wash the outside of the outboard motor with clean, fresh water, and flush the cooling system as follows.

Flushing With the Honda Garden Hose Adapter (optional equipment)

NOTICE

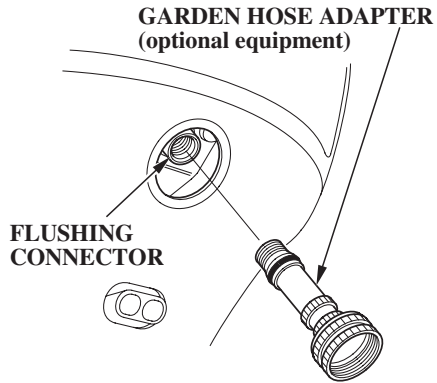
Do not run the motor when flushing the motor with a garden hose or the motor may be damaged.

For safety, remove the emergency stop switch clip so the engine cannot be started while you are standing near the propeller.

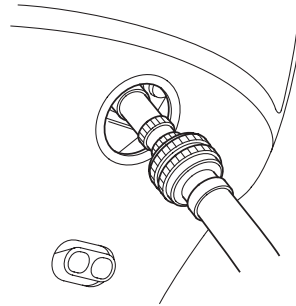


1. Remove the flush port cap.

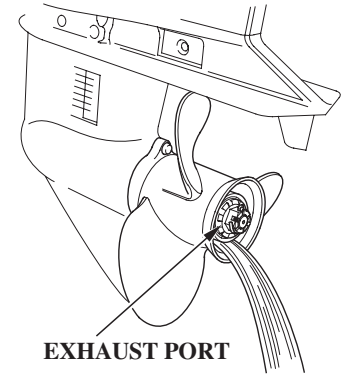
STORAGE



2. Screw the garden hose adapter into the flushing connector.



3. Attach a garden hose from a fresh water faucet to the garden hose adapter.



4. Turn on the fresh water supply and flush the outboard motor for at least 10 minutes.

5. After flushing, remove the garden hose adapter, and install the flush port cap.

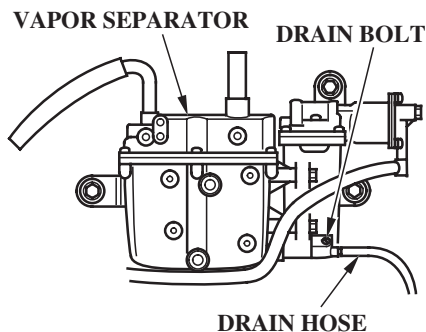
Fuel

Gasoline will oxidize and deteriorate in storage. Old gasoline will cause hard starting, and it leaves gum deposits that clog the fuel system. If the gasoline in your fuel tank and vapor separator deteriorates during storage, you may need to have the vapor separator and other fuel system components serviced or replaced.

The length of time that gasoline can be left in your fuel tank and vapor separator without causing functional problems will vary with such factors as gasoline blend, your storage temperatures, and whether the fuel tank is partially or completely filled. The air in a partially filled fuel tank promotes fuel deterioration. Very warm storage temperatures accelerate fuel deterioration. Fuel deterioration problems may occur within a few months, or even less if the gasoline was not fresh when you filled the fuel tank.

The *Distributor's Limited Warranty* does not cover fuel system damage or engine performance problems resulting from neglected storage preparation.

You can avoid fuel deterioration problems by draining the fuel tank and vapor separator.



1. Remove the drain hose from the silencer case.
2. Connect the drain hose to the drain joint of the vapor separator and set the other end of the hose toward the outside of the engine undercase.

3. Tilt up the outboard motor.

⚠ WARNING

Gasoline is highly flammable and explosive.

You can be burned or seriously injured when handling fuel.

- Stop the engine and keep heat, sparks, and flame away.
- Handle fuel only outdoors.
- Wipe up spills immediately.

STORAGE

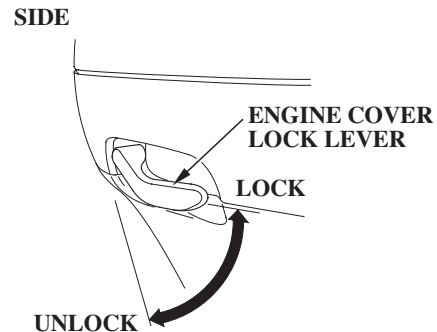
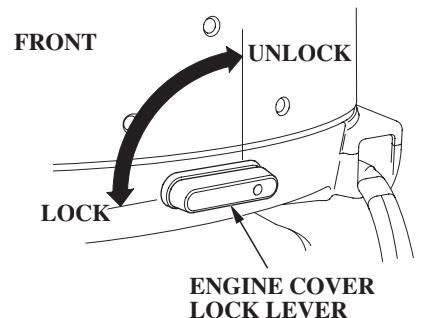
4. Loosen the vapor separator drain bolt and drain the vapor separator.
5. After draining thoroughly, tighten the drain bolt securely.
6. Install the drain hose to the silencer case.
7. Drain the fuel tank into an approved gasoline container, or if you need to store fuel in the fuel tank, you can extend fuel storage life by filling the fuel tank with fresh gasoline and adding a fuel stabilizer that is formulated for that purpose.

If using the portable fuel tank (optional equipment), firmly close the fuel tank vent knob.

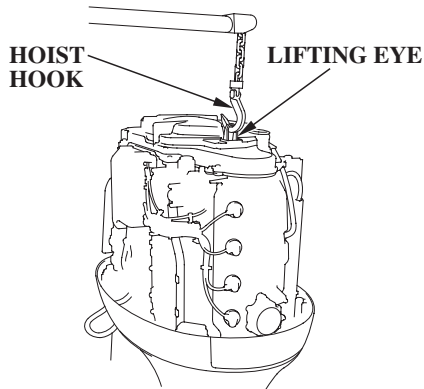
Engine Oil

1. Change the engine oil and the oil filter (p. 64 – 66).
2. Remove the spark plugs (p. 69), and remove the clip from the emergency stop switch.
3. Pour a tablespoon (5 – 10 cm³) of clean engine oil into each cylinder.
4. Rotate the engine a few revolutions to distribute the oil in the cylinders.
5. Reinstall the spark plugs (p. 70).

HOISTING THE OUTBOARD MOTOR



1. Unlock and remove the engine cover.

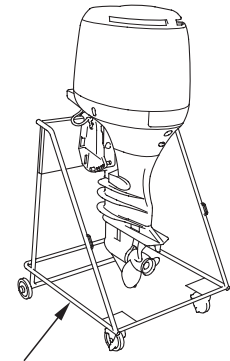


2. Attach the hoist hook to the lifting eye.
3. Disconnect the outboard motor from the boat, hoist the outboard motor, and move it to the storage area.
4. After the outboard motor is placed in storage and disconnected from the hoist, install the engine cover.

STORAGE PRECAUTIONS

Select a well-ventilated storage area. If possible, avoid storage areas with high humidity.

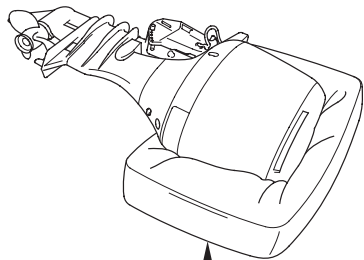
If storing a container of gasoline, such as the portable fuel tank (optional equipment), store it away from any appliance that operates with a flame, such as a furnace, water heater, or clothes dryer. Also avoid any area with a sparkproducing electric motor, or where power tools are operated.



OUTBOARD MOTOR STAND

If the outboard motor will be removed from the boat for storage, we recommend storing it vertically by mounting it on a stand.

STORAGE



PROTECTOR

If it is necessary to store the outboard motor horizontally, drain the vapor separator (p. 81), and drain the engine oil (p. 64), before removing the outboard motor from the boat.

Rest the motor on a cushion of protective material.

Cover the outboard motor to keep out dust. Do not use sheet plastic as a dust cover. A nonporous cover will trap moisture, promoting rust and corrosion.

REMOVAL FROM STORAGE

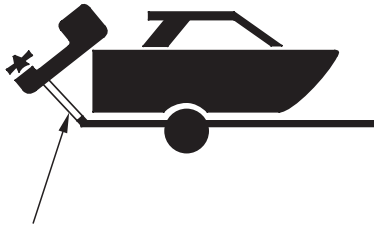
Check your outboard motor as described in the *BEFORE OPERATION* chapter of this manual.

If the cylinders were coated with oil during storage preparation, the engine may smoke briefly at startup. This is normal.

WITH OUTBOARD MOTOR INSTALLED ON BOAT

When trailering a boat with the outboard motor attached, leave the engine in the normal running position, if possible.

Use a motor support bar to prevent the outboard motor from moving while trailering the boat. Refer to the manufacturer's instructions for using a motor support bar.



MOTOR SUPPORT BAR
(commercially available)

WITH OUTBOARD MOTOR REMOVED FROM BOAT

Secure the outboard motor in either the vertical or horizontal position shown on p. 83 — 84 .

TAKING CARE OF UNEXPECTED PROBLEMS

| ELECTRIC STARTER WILL NOT OPERATE | Possible Cause | Correction |
|---|---|---|
| 1. Check battery. | Battery connections loose or corroded. | Clean and tighten battery connections. |
| | Battery discharged. | Recharge battery. |
| 2. Check fuses. | Fuse(s) burnt out. | Replace fuse(s) (p. 91). |
| 3. Use starting procedure (p. 39), then take outboard motor to an authorized Honda Marine dealer, or refer to the shop manual. | Starter malfunction, switch malfunction, or electrical problem in the starting circuit. | Replace or repair faulty components as necessary. |

TAKING CARE OF UNEXPECTED PROBLEMS

| ENGINE WILL NOT START | Possible Cause | Correction |
|--------------------------------------|---|--|
| 1. Check emergency stop switch clip. | Clip not inserted in stop switch. | Insert clip in stop switch. |
| 2. Check control positions. | Control lever not in neutral position. | Shift to neutral. |
| | Fast idle lever raised (side-mount type). | Leave fast idle lever OFF (p. 18). |
| 3. Check fuel. | Out of fuel. | Refuel (p. 71). |
| | Fuel vent closed (portable fuel tank). | Open fuel tank vent (p. 32). |
| | Fuel hose not primed. | Squeeze priming bulb (p. 33). |
| | Fuel pump filter or fuel tank filter clogged. | Replace fuel filters (p. 73). |
| | Bad fuel; boat stored without treating or draining gasoline, or refueled with bad gasoline. | Drain fuel tank and vapor separator (p. 80). Refill with fresh gasoline (p. 71). |

TAKING CARE OF UNEXPECTED PROBLEMS

| ENGINE WILL NOT START (continued) | Possible Cause | Correction |
|---|--|---|
| 4. Check water separator. | Water separator full of water. (The water separator red float has risen off the bottom of the bowl) | Clean water separator (p. 76). |
| 5. Remove and inspect spark plugs. | Spark plugs faulty, fouled or improperly gapped. | Clean, gap or replace spark plugs (p. 69). |
| | Spark plugs wet with fuel (flooded engine). | Dry and install the spark plugs. Start the engine with the throttle open using the fast idle lever or fast idle button. |
| 6. Take outboard motor to an authorized Honda Marine dealer, or refer to the shop manual. | Fuel system malfunction, fuel pump failure, ignition malfunction, stuck valves, etc. | Replace or repair faulty components as necessary. |

TAKING CARE OF UNEXPECTED PROBLEMS

| HARD STARTING OR STALLS AFTER STARTING | Possible Cause | Correction |
|---|--|--|
| 1. Check control positions. | Fast idle lever raised (side-mount type). | Leave fast idle lever OFF (p. 18). |
| 2. Check fuel. | Fuel vent closed (portable fuel tank). | Open fuel tank vent (p. 32). |
| | Fuel hose not primed. Fuel pump filter or fuel tank clogged. | Squeeze priming bulb (p. 33). Replace fuel filters (p. 73). |
| | Bad fuel; boat stored without treating or draining gasoline, or refueled with bad fuel. | Drain fuel tank and vapor separator (p. 80). Refill with fresh gasoline (p. 71). |
| 3. Check water separator. | Water separator full of water. (The water separator red float has risen off the bottom of the bowl) | Clean water separator (p. 76). |

TAKING CARE OF UNEXPECTED PROBLEMS

| HARD STARTING OR STALLS AFTER STARTING (continued) | Possible Cause | Correction |
|---|--|---|
| 3. Remove and inspect spark plugs. | Spark plugs faulty, fouled or improperly gapped. | Clean, gap or replace spark plugs (p. 69). |
| 4. Take outboard motor to an authorized Honda Marine dealer, or refer to the shop manual. | Fuel system malfunction, fuel pump failure, ignition malfunction, etc. | Replace or repair faulty components as necessary. |

| ENGINE OVERHEATS | Possible Cause | Correction |
|---|----------------------------------|---|
| 1. Check water intake screens. | Water intake screens clogged. | Clean water intake screens. |
| 2. Take outboard motor to an authorized Honda Marine dealer, or refer to the shop manual. | Faulty thermostat or water pump. | Replace or repair faulty components as necessary. |

TAKING CARE OF UNEXPECTED PROBLEMS

BATTERY WILL NOT CHARGE AND ELECTRIC STARTER WILL NOT OPERATE

The battery-charging (ACG) circuit and the electric starter relay circuit are protected by the 10, 30-ampere main fuses and 90-ampere ACG fuse. If the fuse burns out, the engine will not charge the battery, and the electric starter will not operate.

The ignition switch is protected by the 10-ampere main fuse. If the fuse burns out, the engine will not start or run, and the power trim/tilt switch will not operate.

Fuse Replacement

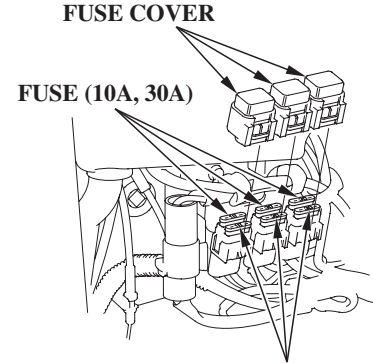
Main Fuse

1. With the engine stopped, remove the engine cover.
2. Remove the fuse covers.
3. Remove and inspect the fuses. If a fuse is burnt out, install a replacement fuse of the specified rating. The outboard motor is supplied with spare fuses in the fuse holders.

MAIN FUSES: 10 A, 30 A

NOTICE

Never use a fuse with a rating greater than specified. Serious damage to the electrical system could result.



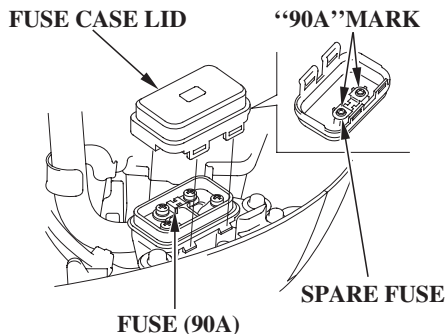
SPARE FUSE (10A, 30A)

4. Reinstall the fuse covers and the engine cover.

Before further operation, try to determine and correct the electrical problem that caused the fuse to burn out. An uncorrected electrical problem may cause the fuse to burn out again.

TAKING CARE OF UNEXPECTED PROBLEMS

ACG Fuse



NOTICE

*Disconnect the battery cable at the battery negative (-) terminal before replacing the fuse.
Failure to do so may cause a short circuit.*

Replacement

1. Stop the engine.
2. Remove the engine cover.

3. Remove the fuse case lid.
4. Remove the old fuse by removing two 5 mm screws.
5. Install a new fuse with the "90 A" mark downward.

ACG FUSE: 90 A

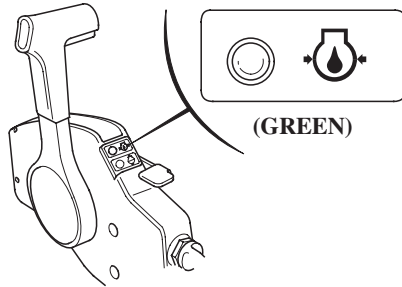
6. After finishing replacement, install the fuse case lid with its hook toward the engine side.
7. Be sure to check the fuse case lid is securely locked.

A spare fuse is located on the reverse side of the fuse case lid and tightened with two 3 mm screws.
When the new fuse is set as a spare fuse on the reverse side of the fuse case lid, set the fuse so that you can see the "90 A" mark on it.

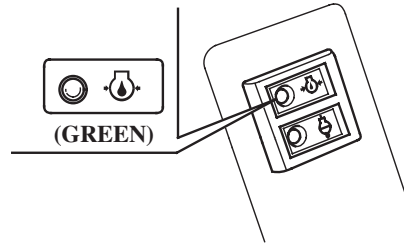
TAKING CARE OF UNEXPECTED PROBLEMS

OIL PRESSURE INDICATOR LIGHT GOES OFF AND ENGINE SPEED IS LIMITED

Side-Mount Type



Panel-Mount/Top-Mount Types



If oil pressure becomes low, the green indicator light will go off, and the engine protection system will limit engine speed. If you are at cruising speed, engine speed will decrease gradually.

Oil pressure indicator is also equipped with a buzzer that sounds when the green indicator light goes off.

Low oil pressure may be the result of a low engine oil level, or there may be a problem with the engine lubrication system.

If the throttle is closed suddenly after full throttle operation, engine speed may drop below the specified idle rpm, and that could activate the engine protection system momentarily.

If low oil pressure activates the engine protection system, stop the engine, check the engine oil level (p. 63), and add oil if needed.

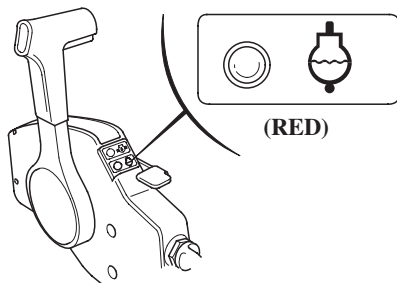
With the engine oil at the recommended level, restart the engine. If the lubrication system is OK, the green indicator light should come on within 30 seconds, and the engine will respond normally to throttle control lever operation.

If the engine protection system remains activated after 30 seconds, return to the nearest boat landing, and have the outboard motor inspected by an authorized Honda marine dealer.

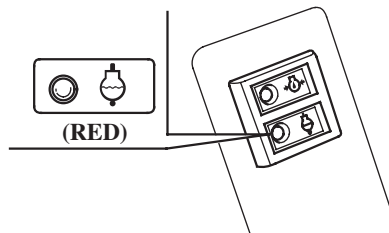
TAKING CARE OF UNEXPECTED PROBLEMS

OVERHEATING INDICATOR LIGHT COMES ON AND ENGINE SPEED IS LIMITED

Side-Mount Type



Panel-Mount/Top-Mount Types

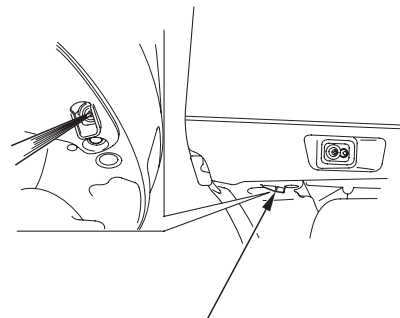


If the engine overheats, the red indicator light will come on, and the engine protection system will limit engine speed. If you are at cruising speed, engine speed will decrease gradually.

Remote-control types are equipped with a buzzer that sounds when the red indicator light comes on.

Engine overheating may be the result of clogged water intake screens, or there may be a problem with the cooling system thermostat or water pump.

If the engine is stopped after running at full throttle, and then restarted soon afterward, that could activate the engine protection system momentarily.



COOLING SYSTEM INDICATOR

If overheating activates the engine protection system, idle the engine in neutral, and check the cooling system indicator.

If water is flowing from the cooling system indicator, continue idling for 30 seconds. If the cooling system is OK, the red indicator light should go off within 30 seconds, and the engine will respond normally to throttle control lever operation.

TAKING CARE OF UNEXPECTED PROBLEMS

If there is no water flowing from the cooling system indicator, stop the engine, and tilt the outboard motor to inspect the water intake screens. If clogged, clean the water intake screens, return the outboard motor to the running position, restart the engine, and check the cooling system indicator again.

If there is still no water flowing from the cooling system indicator, or if the engine protection system remains activated after 30 seconds, return to the nearest boat landing, and have the outboard motor inspected by an authorized Honda marine dealer.

SUBMERGED MOTOR

A submerged outboard motor must be serviced immediately after it is recovered from the water in order to minimize corrosion.

If there is a Honda marine dealership nearby, take the motor to the dealer immediately. If you are far from a dealership, proceed as follows:

1. Remove the engine cover, and rinse the outboard motor with fresh water to remove salt water, sand, mud, etc.
2. Drain the vapor separator as described on p. 81 .

3. Change the engine oil and oil filter as described on p. 64 – 66 . If there was water in the engine crankcase, or if the used engine oil showed signs of water contamination, then a second engine oil change should be performed after running the engine for half an hour.

4. Remove the spark plugs (p. 69). Operate the starter to expell water from the engine's cylinder.

5. Put a teaspoon of engine oil into each spark plug hole to lubricate the inside of the cylinders. Reinstall the spark plugs.

If the engine was running when it submerged, there may be mechanical damage, such as bent connecting rods. If the engine binds when cranked, do not attempt to run the engine until it has been repaired.

TAKING CARE OF UNEXPECTED PROBLEMS

6. Attempt to start the engine (be sure the water level is at least 2 inches above the antiventilation plate).

NOTICE

Running the outboard motor without sufficient cooling water will damage the water pump and overheat the engine.

If the engine fails to start, remove the spark plugs, clean and dry them, then reinstall the spark plugs and attempt to start the engine again.

If the engine starts, and no mechanical damage is evident, continue to run the engine for a half hour or longer. Be sure the water level is at least two inches above the antiventilation plate to avoid overheating and water pump damage.

7. As soon as possible, take the outboard motor to an authorized Honda Marine dealer for inspection and service.

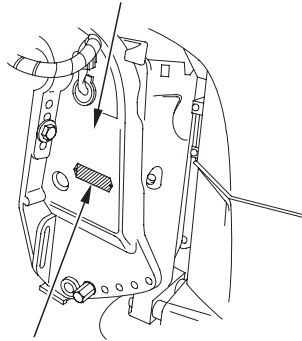
TECHNICAL AND CONSUMER INFORMATION

TECHNICAL INFORMATION

Serial Number Locations

Record the product identification number and engine serial numbers in the space provided on this page. You will need these numbers when ordering parts, and when making technical or warranty inquiries (p. 107).

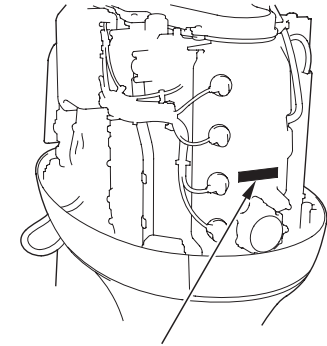
LEFT STERN BRACKET



PRODUCT IDENTIFICATION NUMBER

The product identification number is stamped on a plate attached on the left stern bracket.

Product identification number:



ENGINE SERIAL NUMBER

The engine serial number is stamped on the cylinder head on the back of the engine.

Engine serial number:

TECHNICAL AND CONSUMER INFORMATION

Oxygenated Fuels

Some conventional gasolines are being blended with alcohol or an ether compound. These gasolines are collectively referred to as oxygenated fuels. To meet clean air standards, some areas of the United States and Canada use oxygenated fuels to help reduce emissions.

If you use an oxygenated fuel, be sure it is unleaded and meets the minimum octane rating requirement.

Before using an oxygenated fuel, try to confirm the fuel's contents. Some states/provinces require this information to be posted on the pump.

The following are the EPA-approved percentages of oxygenates:

ETHANOL: ethyl or grain alcohol; 10% by volume.

You may use gasoline containing up to 10% ethanol by volume. Gasoline containing ethanol may be marketed under the name "Gasohol".

MTBE: Methyl Tertiary Butyl Ether; 15% by volume.

You may use gasoline containing up to 15% MTBE by volume.

METHANOL: methyl or wood alcohol; 5% by volume.

TECHNICAL AND CONSUMER INFORMATION

You may use gasoline containing up to 5% methanol by volume, as long as it also contains cosolvents and corrosion inhibitors to protect the fuel system. Gasoline containing more than 5% methanol by volume may cause starting and/or performance problems. It may also damage metal, rubber, and plastic parts of your fuel system.

If you notice any undesirable operating symptoms, try another service station, or switch to another brand of gasoline.

Fuel system damage or performance problems resulting from the use of an oxygenated fuel containing more than the percentages of oxygenates mentioned above are not covered under warranty.

Battery

For complete information, refer to the battery manufacturer's instructions.

Minimum Requirements

12V—80AH

TECHNICAL AND CONSUMER INFORMATION

Emission Control System Information

Source of Emissions

The combustion process produces carbon monoxide, oxides of nitrogen, and hydrocarbons. Control of hydrocarbons and oxides of nitrogen is very important because, under certain conditions, they react to form photochemical smog when subjected to sunlight. Carbon monoxide does not react in the same way, but it is toxic.

Honda utilizes lean carburetor settings and other systems to reduce the emissions of carbon monoxide, oxides of nitrogen, and hydrocarbons.

The U.S. and California Clean Air Acts

EPA and California regulations require all manufacturers to furnish written instructions describing the operation and maintenance of emission control systems.

The following instructions and procedures must be followed in order to keep the emissions from your Honda engine within the emission standards.

Tampering and Altering

Tampering with or altering the emission control system may increase emissions beyond the legal limit. Among those acts that constitute tampering are:

- Removal or alteration of any part of the intake, fuel, or exhaust systems.
- Alterations that would cause the engine to operate outside its design parameters.

Problems That May Affect Emissions

If you are aware of any of the following symptoms, have your engine inspected and repaired by your servicing dealer.

- Hard starting or stalling after starting.
- Rough idle.
- Misfiring or backfiring under load.
- Afterburning (backfiring).
- Black exhaust smoke or high fuel consumption.

Replacement Parts

The emission control systems on your Honda engine were designed, built, and certified to conform with EPA and California emission regulations. We recommend the use of genuine Honda parts whenever you have maintenance done. These original-design replacement parts are manufactured to the same standards as the original parts, so you can be confident of their performance. The use of replacement parts that are not of the original design and quality may impair the effectiveness of your emission control system.

A manufacturer of an aftermarket part assumes the responsibility that the part will not adversely affect emission performance. The manufacturer or rebuilder of the part must certify that use of the part will not result in a failure of the engine to comply with emission regulations.

Maintenance

Follow the maintenance schedule on p. 58. Remember that this schedule is based on the assumption that your machine will be used for its designed purpose. Sustained high-load operation, or use in unusual conditions, will require more frequent service.

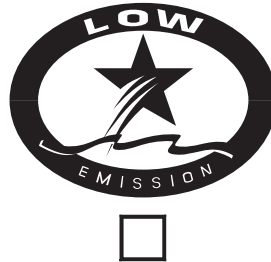
TECHNICAL AND CONSUMER INFORMATION

Star Label

A Star label was applied to this outboard motor in accordance with the requirements of the California Air Resources Board.

The Star Label means Cleaner Marine Engine

This engine has been certified as a:



The Symbol for Cleaner Marine Engines:

Cleaner Air and Water - for healthier lifestyle and environment.

Better Fuel Economy - burns up to 30 - 40 percent less gas and oil than conventional carbureted two-stroke engines, saving money and resources.

Longer Emission Warranty - protects consumer for worry free operation.



One Star Low Emission

The one-star label identifies engines that meet the Air Resources Board's 2001 exhaust emission standards. Engines meeting these standards have 75% lower emissions than conventional carbureted two-stroke engines. These engines are equivalent to the U.S. EPA's 2006 standards for marine engines.



Two Stars Very Low Emission

The two-star label identifies engines that meet the Air Resources Board's 2004 exhaust emission standards. Engines meeting these standards have 20% lower emissions than One Star-Low-Emission engines.



Three Stars Ultra Low Emission

The three-star label identifies engines that meet the Air Resources Board's 2008 exhaust emission standards. Engines meeting these standards have 65% lower emissions than One Star-Low-Emission engines.

Cleaner Watercraft - Get the Facts
1-800-END-SMOG
www.arb.ca.gov

TECHNICAL AND CONSUMER INFORMATION

Specifications

| MODEL | BF115A | | | |
|---------------------|--------------------------------------|---------------------|---------------------|---------------------|
| Description Code | BZBD | BZBG | BZBD | BZBG |
| Type | LA | LCA | XA | XCA |
| Overall length | 32.5 in (825 mm) | | | |
| Overall width | 21.7 in (550 mm) | | | |
| Overall height | L | 65.0 in (1,650 mm) | | |
| | X | 69.9 in (1,775 mm) | | |
| Transom height | L | 21.1 in (537 mm) | | |
| | X | 26.1 in (664 mm) | | |
| Weight | 496 lbs (225 kg) | 503 lbs (228 kg) | 507 lbs (230 kg) | 514 lbs (233 kg) |
| Rated power | 85.8 kW (115 HP) | | | |
| Full throttle range | 5,000 – 6,000 rpm | | | |
| Engine type | 4 stroke SOHC in-line 4 cylinder | | | |
| Displacement | 137.5 cu-in (2,254 cm ³) | | | |
| Spark plug gap | 0.028 – 0.031 in (0.70 – 0.80 mm) | | | |

| | |
|--------------------|---|
| Starter system | Electric starter |
| Ignition system | Fully transistorized, battery ignition |
| Lubrication system | Trochoid pump pressure lubrication |
| Specified oil | Engine: API standard (SG, SH) SAE 10W-30 Gear case: API standard (GL-4/5) SAE 90 outboard motor gear oil |
| Oil capacity | Engine: 5.9 US qt (5.6 ℓ) without oil filter change Gear case: 1.00 US qt (0.95 ℓ) |
| CARB star label | ULTRA · LOW EMISSION |
| D.C. output | 12V – 40A |
| Cooling system | Water cooling with thermostat |
| Exhaust system | Water exhaust |
| Spark plugs | KJ22CR-L8 (DENSO) ZFR7F-8 (NGK) |
| Fuel pump | Diaphragm type |
| Fuel | Automotive unleaded gasoline (86 pump octane or higher) |
| Gear change | Forward-Neutral-Reverse (dog type) |
| Steering angle | 30° right and left |
| Transom angle | 5 stages (8°, 12°, 16°, 20°, 24°) |

Honda outboards are power rated in accordance with NMMA procedures and using the ICOMIA standard 28/23.

TECHNICAL AND CONSUMER INFORMATION

Specifications

| MODEL | BF130A | | | |
|---------------------|--------------------------------------|---------------------|---------------------|---------------------|
| Description Code | BZBE | BZBH | BZBE | BZBH |
| Type | LA | LCA | XA | XCA |
| Overall length | 32.5 in (825 mm) | | | |
| Overall width | 21.7 in (550 mm) | | | |
| Overall height | L | 65.0 in (1,650 mm) | | |
| | X | 69.9 in (1,775 mm) | | |
| Transom height | L | 21.1 in (537 mm) | | |
| | X | 26.1 in (664 mm) | | |
| Weight | 496 lbs (225 kg) | 503 lbs (228 kg) | 507 lbs (230 kg) | 514 lbs (233 kg) |
| Rated power | 96.9 kW (130 HP) | | | |
| Full throttle range | 5,000 – 6,000 rpm | | | |
| Engine type | 4 stroke SOHC in-line 4 cylinder | | | |
| Displacement | 137.5 cu-in (2,254 cm ³) | | | |
| Spark plug gap | 0.028 – 0.031 in (0.70 – 0.80 mm) | | | |

| | |
|--------------------|---|
| Starter system | Electric starter |
| Ignition system | Fully transistorized, battery ignition |
| Lubrication system | Trochoid pump pressure lubrication |
| Specified oil | Engine: API standard (SG, SH) SAE 10W-30 Gear case: API standard (GL-4/5) SAE 90 outboard motor gear oil |
| Oil capacity | Engine: 5.9 US qt (5.6 ℓ) without oil filter change Gear case: 1.00 US qt (0.95 ℓ) |
| CARB star label | ULTRA · LOW EMISSION |
| D.C. output | 12V – 40A |
| Cooling system | Water cooling with thermostat |
| Exhaust system | Water exhaust |
| Spark plugs | KJ22CR-L8 (DENSO) ZFR7F-8 (NGK) |
| Fuel pump | Diaphragm type |
| Fuel | Automotive unleaded gasoline (86 pump octane or higher) |
| Gear change | Forward-Neutral-Reverse (dog type) |
| Steering angle | 30° right and left |
| Transom angle | 5 stages (8°, 12°, 16°, 20°, 24°) |

Honda outboards are power rated in accordance with NMMA procedures and using the ICOMIA standard 28/23.

TECHNICAL AND CONSUMER INFORMATION

BF115A & BF130A Tune up

| | | |
|------------------------|---|-----------------|
| Spark plug gap | 0.028–0.031 in (0.70–0.80 mm) | See page 69 |
| Idle speed | 750 ± 50 rpm | See shop manual |
| Valve clearance (cold) | Intake: 0.26 ± 0.02 mm Exhaust: 0.30 ± 0.02 mm | See shop manual |
| Other specifications | No other adjustments needed. | |

TECHNICAL AND CONSUMER INFORMATION

CONSUMER INFORMATION

Honda Publications

These publications will give you additional information for maintaining and repairing your outboard motor. You may order them from your Honda marine dealer.

Shop Manual

This manual covers complete maintenance and overhaul procedures. It is intended to be used by a skilled technician.

Parts Catalog

This manual provides complete, illustrated parts lists.

Warranty Service Information

Honda Marine dealership personnel are trained professionals. They should be able to answer any question you may have. If you encounter a problem that your dealer does not solve to your satisfaction, please discuss it with the dealership's management. The Service Manager or General Manager can help. Almost all problems are solved in this way.

If you are dissatisfied with the decision made by the dealership's management, contact the Honda Marine Customer Relations Office. You can write:

American Honda Motor Co., Inc.
Marine Division
Customer Relations Office
4900 Marconi Drive
Alpharetta, Georgia 30005-8847

Or telephone: (770) 497-6400

When you write or call, please give us this information:

- Model and serial numbers (p. 97)
- Name of the dealer who sold the outboard motor to you
- Name and address of the dealer who services your outboard motor
- Date of purchase
- Your name, address, and telephone number
- A detailed description of the problem

INDEX

| | | | |
|--|-----|---|-----|
| Alternator (ACG) Indicator..... | 29 | Emission Control System Information | 100 |
| Anodes..... | 32 | Engine | |
| Replacement..... | 76 | Cover | |
| ARE YOU READY TO GET UNDER WAY ? | 34 | Lock Levers..... | 27 |
| Battery | 99 | Lock Lever Adjustment | 62 |
| BATTERY WILL NOT CHARGE AND | | Lock Lever Bracket Adjustment..... | 62 |
| ELECTRIC STARTER WILL NOT OPERATE..... | 91 | REMOVAL AND INSTALLATION..... | 61 |
| BEFORE OPERATION..... | 34 | Oil | |
| BREAK-IN PROCEDURE..... | 36 | Change..... | 64 |
| Common Controls | 25 | Filter Change..... | 65 |
| COMPONENT AND CONTROL LOCATIONS | 11 | Level Check | 63 |
| CONSUMER INFORMATION | 107 | Recommendations | 67 |
| Warranty Service Information | 107 | | |
| CONTROLS..... | 15 | | |
| CONTROLS AND FEATURE IDENTIFICATION | | | |
| CODES..... | 10 | | |
| CONTROLS AND FEATURES | 10 | | |
| Cooling System Indicator..... | 31 | | |
| CRUISING | 51 | | |

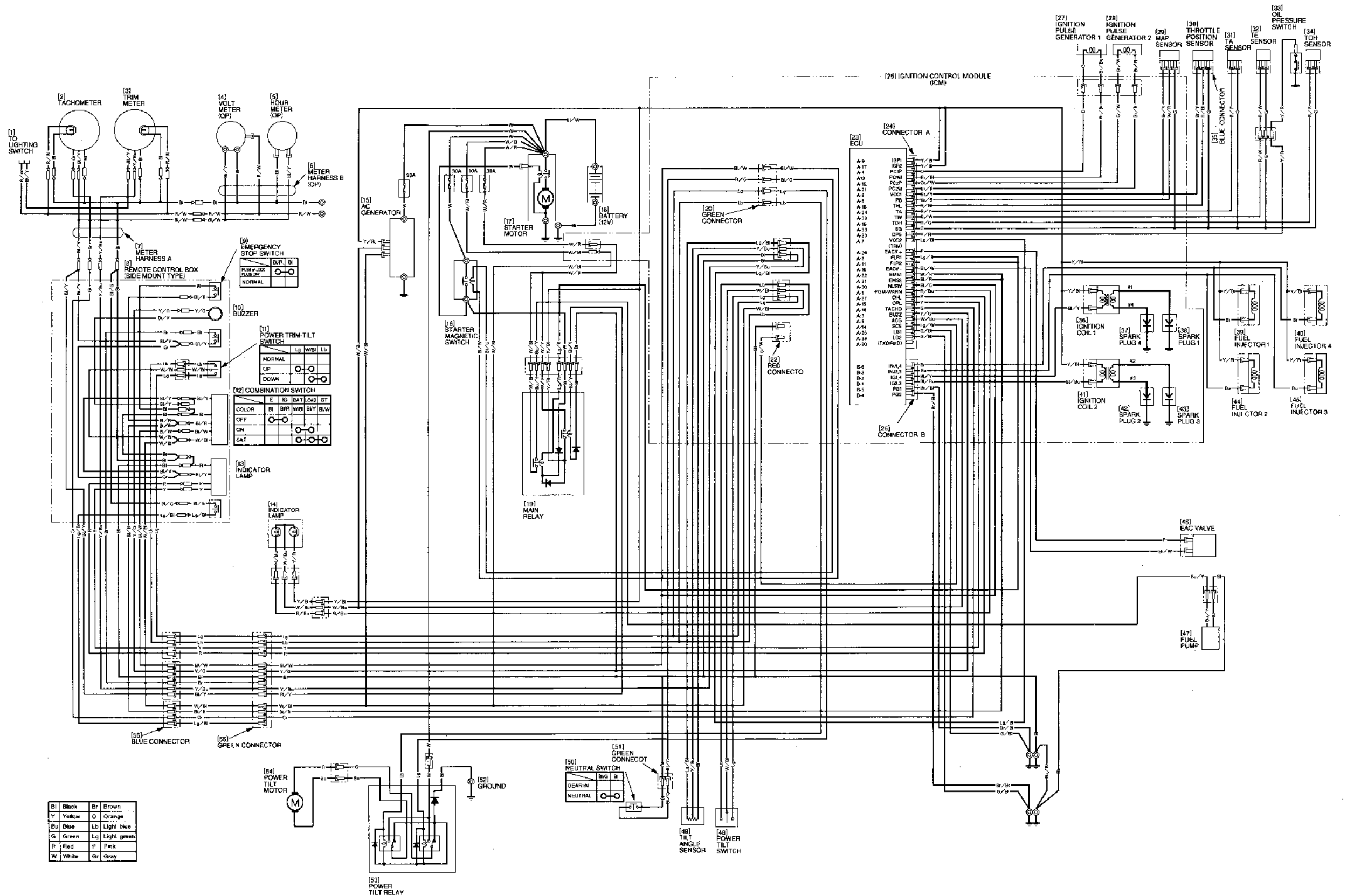
| | | | |
|--|----|------------------------------------|----|
| Fast Idle Lever..... | 18 | Ignition Switch | |
| Fuel | | Panel-Mount Type..... | 18 |
| Cap Vent Knob (optional equipment)..... | 32 | Side-Mount Type | 15 |
| HOSE CONNECTIONS | 38 | Top-Mount Type | 22 |
| Gauge (optional equipment)..... | 29 | IMPORTANT SAFETY INFORMATION | 7 |
| PRIMING | 39 | INDICATORS..... | 29 |
| Priming Bulb | 33 | INSTRUMENTS | 28 |
| Pump Filter Inspection and Replacement | 73 | IS YOUR OUTBOARD MOTOR | |
| RECOMMENDATIONS | 72 | READY TO GO ? | 34 |
| Water Separator Inspection and Service | 76 | | |
| Gearshift/Trottle Control Lever | | Lubrication Points | 68 |
| Panel-Mount Type..... | 20 | MAINTENANCE SAFETY | 56 |
| Side-Mount Type | 16 | MAINTENANCE SCHEDULE | 58 |
| Top-Mount Type | 23 | MOORING, BEACHING, LAUNCHING..... | 53 |
| GEARSHIFTING AND THROTTLE OPERATION ... | 48 | | |
| Panel-Mount Type..... | 49 | | |
| Side-Mount Type | 49 | | |
| Top-Mount Type | 50 | | |
| HOISTING THE OUTBOARD MOTOR | 82 | | |

INDEX

| | | | |
|---|--------|---------------------------------------|-----|
| Oil Pressure Indicator | 30 | SAFE OPERATING PRECAUTIONS | 36 |
| OIL PRESSURE INDICATOR LIGHT GOES | | SAFETY LABEL LOCATIONS | 9 |
| OFF AND ENGINE SPEED IS LIMITED | 93 | Serial Number Locations..... | 97 |
| OPERATION | 36 | SERVICING YOUR OUTBOARD MOTOR..... | 55 |
| OTHER FEATURES | 31 | SHALLOW WATER OPERATIONS..... | 53 |
| OUTBOARD MOTOR SAFETY..... | 7 | Spark Plug Service | 69 |
| Overheating Indicator..... | 30 | Specifications | 104 |
| OVERHEATING INDICATOR LIGHT COMES | | Star Label | 102 |
| ON AND ENGINE SPEED IS LIMITED..... | 94 | STARTING THE ENGINE | 39 |
| Overrev Limiter..... | 31 | Panel-Mount Type..... | 42 |
| Oxygenated Fuels..... | 98 | Side-Mount Type | 39 |
| | | Top-Mount Type..... | 44 |
| PORTABLE FUEL TANK | | STEERING..... | 50 |
| (optionnal equipment)..... | 32, 38 | STOPPING THE ENGINE..... | 46 |
| Portable Fuel Tank and Filter Cleaning | | Emergency Engine Stopping..... | 46 |
| (optionnal equipment)..... | 75 | Normal Engine Stopping..... | 47 |
| Power Tilt Switch..... | 26 | STORAGE | 79 |
| Power Trim/Tilt Switch | 25 | STORAGE PRECAUTIONS..... | 83 |
| Programmed Fuel Injection (PGM-FI) Indicator..... | 29 | STORAGE PREPARATION..... | 79 |
| Propeller Replacement | 78 | Cleaning and Flushing | 79 |
| | | Engine oil | 82 |
| REFUELING..... | 71 | Fuel..... | 81 |
| REMOVAL FROM STORAGE..... | 84 | SUBMERGED MOTOR..... | 95 |
| | | Switch Clip and Emergency Stop Switch | |
| | | Panel-Mount Type..... | 19 |
| | | Side-Mount Type | 16 |
| | | Top-Mount Type | 22 |

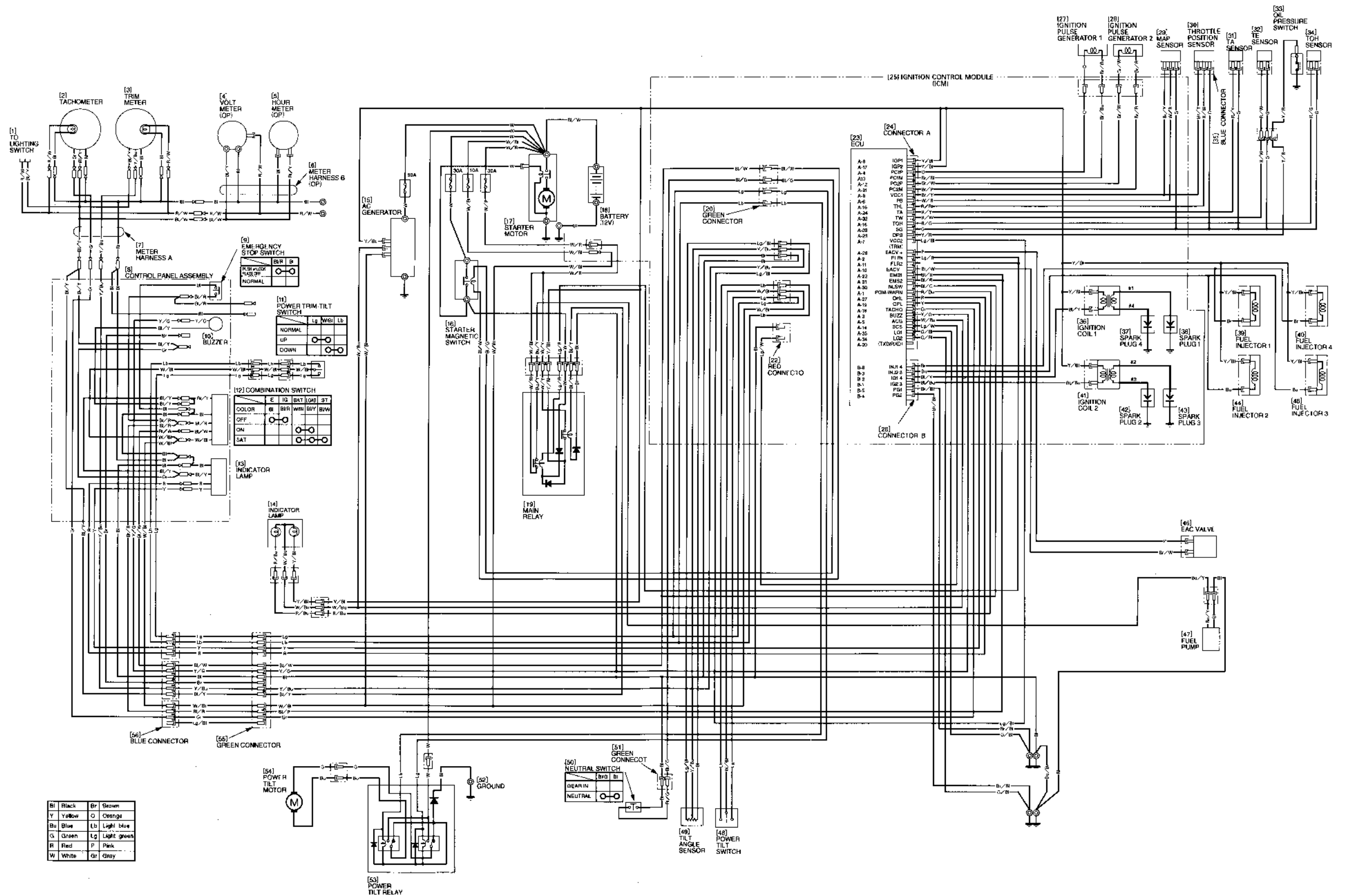
| | |
|---|-------------------|
| Tachometer (optional equipment)..... | 28 |
| TAKING CARE OF UNEXPECTED PROBLEMS..... | 86 |
| TECHNICAL AND CONSUMER INFORMATION... | 97 |
| TECHNICAL INFORMATION..... | 97 |
| THE IMPORTANCE OF MAINTENANCE | 55 |
| Fast Idle Button | |
| Panel-Mount Type..... | 20 |
| Top-Mount Type | 23 |
| Tilt Lock Lever..... | 26 |
| TOOL KIT (optional equipment)..... | 57 |
| TRANSOM ANGLE ADJUSTMENT | 37 |
| Transom Angle Adjusting Rod | 27 |
| TRANSPORTING | 85 |
| WITH OUTBOARD MOTOR INSTALLED | |
| ON BOAT | 85 |
| WITH OUTBOARD MOTOR REMOVED | |
| FROM BOAT | 85 |
| Trim Meter (optional equipment) | 28 |
| Trim Tab..... | 28 |
| TRIM TAB ADJUSTMENT | 60 |
| WIRING DIAGRAMS..... | Inside Back Cover |

SIDE-MOUNT TYPE



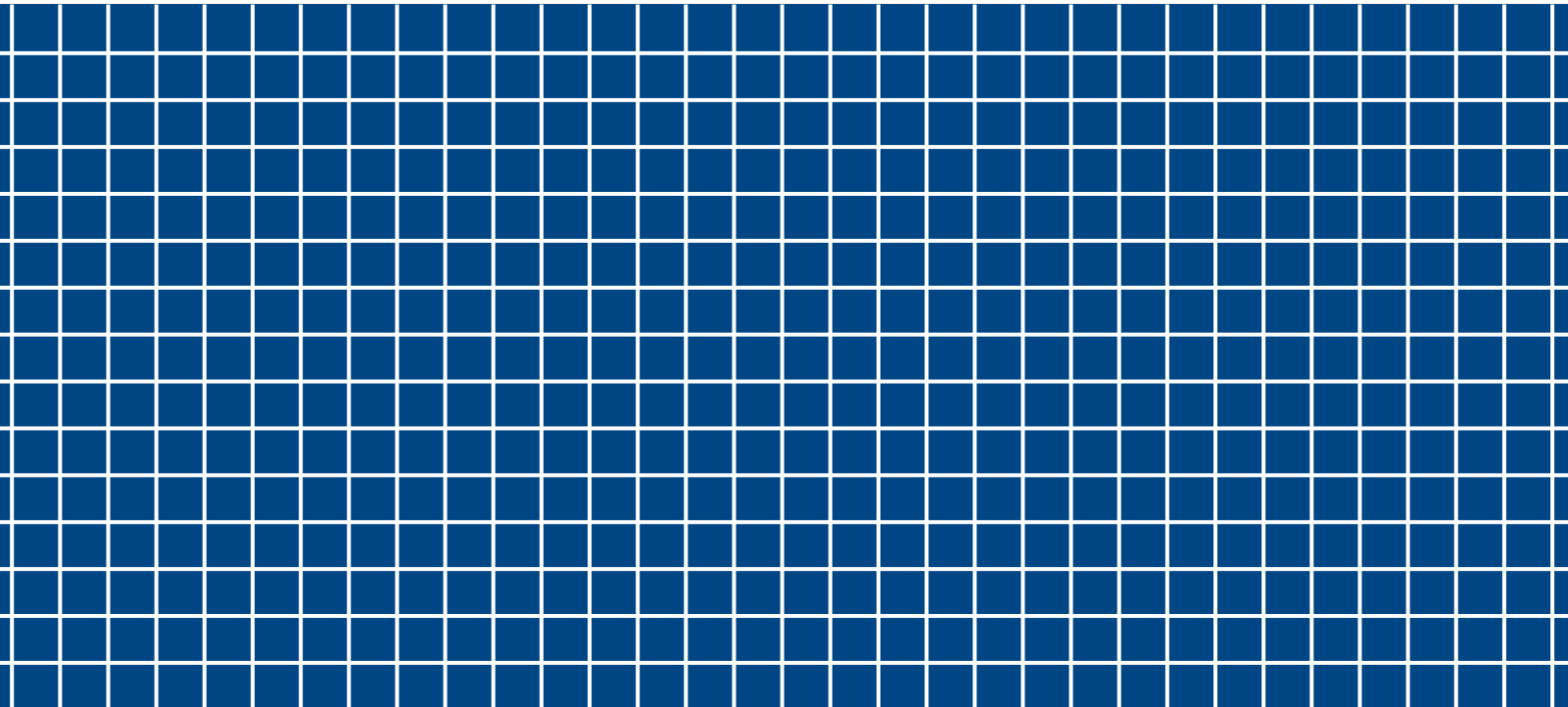
WIRING DIAGRAM

PANEL/TOP-MOUNT



HONDA

The power of dreams.™



31ZW5606
00X31-ZW5-6060



(AH) (英) (C) (HC) 1500.2003.01
Printed in Japan