

HONDA

Power

Equipment

Owner's Manual
ROTARY MOWER
HRC216HXA



*See page 56 for instructions on
setting up your Lawn Mower.*



WARNING:



The engine exhaust from this product contains chemicals known to the State of California to cause cancer, birth defects or other reproductive harm.

Keep this owner's manual handy, so you can refer to it at any time. This owner's manual is considered a permanent part of the lawn mower and should remain with the lawn mower if resold.

The information and specifications included in this publication were in effect at the time of approval for printing. American Honda Motor Co., Inc. reserves the right, however, to discontinue or change specifications or design at any time without notice and without incurring any obligation whatever. No part of this publication may be reproduced without written permission.

INTRODUCTION

Congratulations on your selection of a Honda lawn mower! We are certain you will be pleased with your purchase of one of the finest lawn mowers on the market.

We want to help you get the best results from your new mower and to operate it safely. This manual contains the information on how to do that; please read it carefully.

As you read this manual, you will find information preceded by a **NOTICE** symbol. That information is intended to help you avoid damage to your mower, other property, or the environment.

We suggest you read the *Distributor's Limited Warranty* (page 72) and *Emission Control System Warranty* (page 75) to fully understand coverage and your responsibilities of ownership.

When your mower needs scheduled maintenance, keep in mind that an authorized Honda servicing dealer is specially trained in servicing Honda mowers and is supported by the parts and service divisions of American Honda. Your Honda dealer is dedicated to your satisfaction and will be pleased to answer your questions and concerns.

Best Wishes,
Power Equipment Division
American Honda Motor Co., Inc.

INTRODUCTION

A FEW WORDS ABOUT SAFETY

Your safety and the safety of others are very important. Using this lawn mower safely is an important responsibility.


To help you make informed decisions about safety, we have provided operating procedures and other information on labels and in this manual. This information alerts you to potential hazards that could hurt you or others.


Of course, it is not practical or possible to warn you about all the hazards associated with operating or maintaining a lawn mower. You must use your own good judgment.

You will find important safety information in a variety of forms including:

- **Safety Labels** — on the lawn mower.
- **Safety Messages** — preceded by a safety alert ⚠ symbol and one of three signal words: DANGER, WARNING, or CAUTION.

These signal words mean:

 **DANGER** You WILL be KILLED or SERIOUSLY HURT if you don't follow instructions.

 **WARNING** You CAN be KILLED or SERIOUSLY HURT if you don't follow instructions.

 **CAUTION** You CAN be HURT if you don't follow instructions.

- **Safety Headings** — such as *IMPORTANT SAFETY REMINDERS* or *IMPORTANT SAFETY PRECAUTIONS*.
- **Safety Chapter** — such as *LAWN MOWER SAFETY*.
- **Instructions** — how to use this mower correctly and safely.

This entire book is filled with important safety information — please read it carefully.

CONTENTS

LAWN MOWER SAFETY	4
IMPORTANT SAFETY INFORMATION	4
IMPORTANT MESSAGE TO PARENTS	5
IMPORTANT MESSAGE TO EMPLOYERS	6
SAFETY LABEL LOCATIONS	6
CONTROLS & FEATURES	8
COMPONENT & CONTROL LOCATIONS	8
DESCRIPTION OF CONTROLS	10
BEFORE OPERATION	13
ARE YOU READY TO GET STARTED?	13
IS YOUR LAWN MOWER READY TO GO?	13
CHECK YOUR WORK AREA	14
GET THE MOWER READY	15
OPERATION	17
MOWING PRECAUTIONS	17
STARTING THE ENGINE	17
OPERATING THE CONTROLS FOR MOWING	19
STOPPING THE ENGINE	22
SAFE MOWING PRACTICES	23
MOWING TIPS	25
SERVICING YOUR LAWN MOWER	28
THE IMPORTANCE OF MAINTENANCE	28
MAINTENANCE SAFETY	29
MAINTENANCE SCHEDULE	30
BLADES	31
GRASS BAG CLEANING AND REPLACEMENT	34
ENGINE MAINTENANCE	35
CONTROL CABLE ADJUSTMENTS	41
THROTTLE CABLE INSPECTION	44
FUEL SYSTEM	45
STORAGE	47
STORAGE PREPARATION	47
PLACING IN STORAGE	52
REMOVING FROM STORAGE	52
TRANSPORTING	53
BEFORE LOADING	53
LOADING AND UNLOADING	53
TAKING CARE OF UNEXPECTED PROBLEMS	54
ENGINE WILL NOT START	54
LOSS OF POWER	54
VIBRATION PROBLEMS	55
MOWING AND BAGGING PROBLEMS	55
SET-UP	56
TECHNICAL & CONSUMER INFORMATION	61
TECHNICAL INFORMATION	61
EMISSION CONTROL SYSTEM	64
SPECIFICATIONS	67
CONSUMER INFORMATION	70
INDEX	78
QUICK REFERENCE INFORMATION	Inside back cover

LAWN MOWER SAFETY

IMPORTANT SAFETY INFORMATION

Most accidents with walk-behind mowers can be prevented if you follow all instructions in this manual and on the mower. The most common hazards, according to accident statistics, are discussed below, along with the best way to protect yourself and others.

Avoid Rotating Blades

Rotating blades can cause serious cuts and even amputate fingers, hands, toes, or feet. Keep away from the mower deck whenever the engine is running. If you need to adjust the cutting height, or work around the deck for any other reason, always shut off the engine. Wear heavy gloves and disconnect the spark plug cap when you need to clean the mower deck or handle the blades.

Clear Mowing Area

Mower blades can throw rocks and other objects with enough force to cause serious injury. Before mowing, carefully inspect the area and remove all sticks, stones, pieces of wire, and other loose objects. Never operate the blades over gravel.

Keep Shields in Place

Guards and shields are designed to protect you from being hit by thrown objects and from hot engine parts and moving components. For your safety and the safety of others, keep all shields in place when the engine is running.

Refuel with Care

Gasoline is extremely flammable and gasoline vapor can explode. Refuel only outdoors, in a well-ventilated area, with the engine OFF. Never smoke near gasoline, and keep other flames and sparks away. Always store gasoline in an approved container.

Wear Protective Clothing

Wearing protective clothing will reduce your risk of injury. Long pants and eye protection reduce the risk of injuries from thrown objects. Sturdy shoes with aggressive soles will help protect your feet and give you better traction on slopes or uneven ground.

Turn Engine Off When Not Mowing

If you need to leave the mower for any reason, even just to inspect the lawn ahead, always turn the engine OFF.

IMPORTANT MESSAGE TO PARENTS

YOUR CHILDREN'S SAFETY IS VERY IMPORTANT to Honda. That's why we urge you to read this message before letting your child operate this lawn mower. Lawn mowers are tools, not toys. As with any equipment, bad judgments can result in serious injuries. You can help prevent accidents by making good decisions about if, when, and how your child operates this equipment.

The first question you'll need to ask is whether your child is capable of operating this mower safely. Remember, young people vary widely, and **AGE IS NOT THE ONLY FACTOR**.

Physically, a child must be **LARGE ENOUGH AND STRONG ENOUGH** to easily start the mower and control its direction. The child also needs enough size, strength, and coordination to comfortably reach and operate the controls.

Another, tougher question you need to ask is if your child has enough **MATURITY AND RESPONSIBILITY** to safely operate this mower. Does the young person think through problems and come to logical solutions? Be honest! Anyone who takes unnecessary risks and doesn't obey rules should not operate this lawn mower.

If you decide that your son or daughter can handle the mower safely, **CAREFULLY READ THE OWNER'S MANUAL** with your child. Make sure you both understand all instructions and safety information. Also, be sure your child wears sturdy shoes and other protective clothing when operating or handling the mower.

SUPERVISION is also very important. Walk with your child during the first few minutes of mowing. Even after he or she has become confident with the mower, do not let him or her use the mower without good adult supervision. An adult should also be present during refueling and maintenance. In fact, it's up to the adult owner to make sure that the mower is properly maintained and kept in safe operating condition.

By always placing safety first, your child will acquire useful skills and a sense of accomplishment. And you'll both get the best results from your lawn mower.

LAWN MOWER SAFETY

IMPORTANT MESSAGE TO EMPLOYERS

As an employer, you have special responsibilities to the people who work for you.

Before you ask anyone to operate this mower, you need to determine whether the person is old enough, large enough, and strong enough to safely handle and control the mower.

If you decide he or she is, make sure the employee reads and understands all instructions and warnings in this manual and on the labels before operating the mower.

Allow adequate time for hands-on training by a qualified instructor, and personally supervise practice sessions until you feel sure the employee is ready to operate the machine.

Also be sure employees wear proper clothing and have eye protection and any other gear that may be required by local ordinances or your insurance company.

Remember, too, that you are responsible for keeping the mower properly maintained and in safe operating condition.

Your commitment to safety on the job can help prevent accidents and result in longer and more productive years of service.

SAFETY LABEL LOCATIONS

These labels warn you of potential hazards that can cause serious injury. Read them carefully. If a label comes off or becomes hard to read, contact an authorized Honda servicing dealer for a replacement.

LAWN MOWER SAFETY

CAUTION

UNDER NORMAL USAGE, THIS BAG MATERIAL IS SUBJECT TO DETERIORATION AND WEAR, AND SHOULD BE CHECKED FREQUENTLY FOR BAG REPLACEMENT. THIS BAG CONFORMS TO A.N.S.I. STANDARD B71.4, ANY REPLACEMENT MUST MEET THIS STANDARD.

WARNING

Objects thrown by blade can cause serious injury.

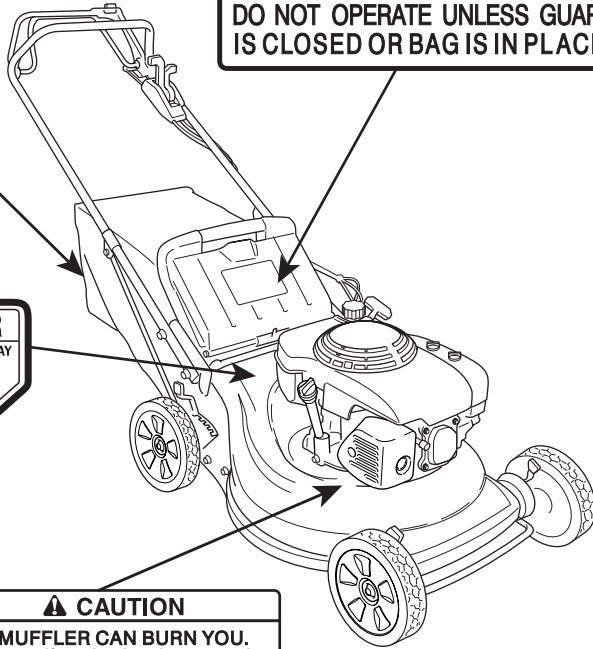
- Inspect area and remove debris before mowing.
- Keep children and others away.
- Wear eye protection.
- Follow all instructions in your Owner's Manual.

DO NOT OPERATE UNLESS GUARD IS CLOSED OR BAG IS IN PLACE



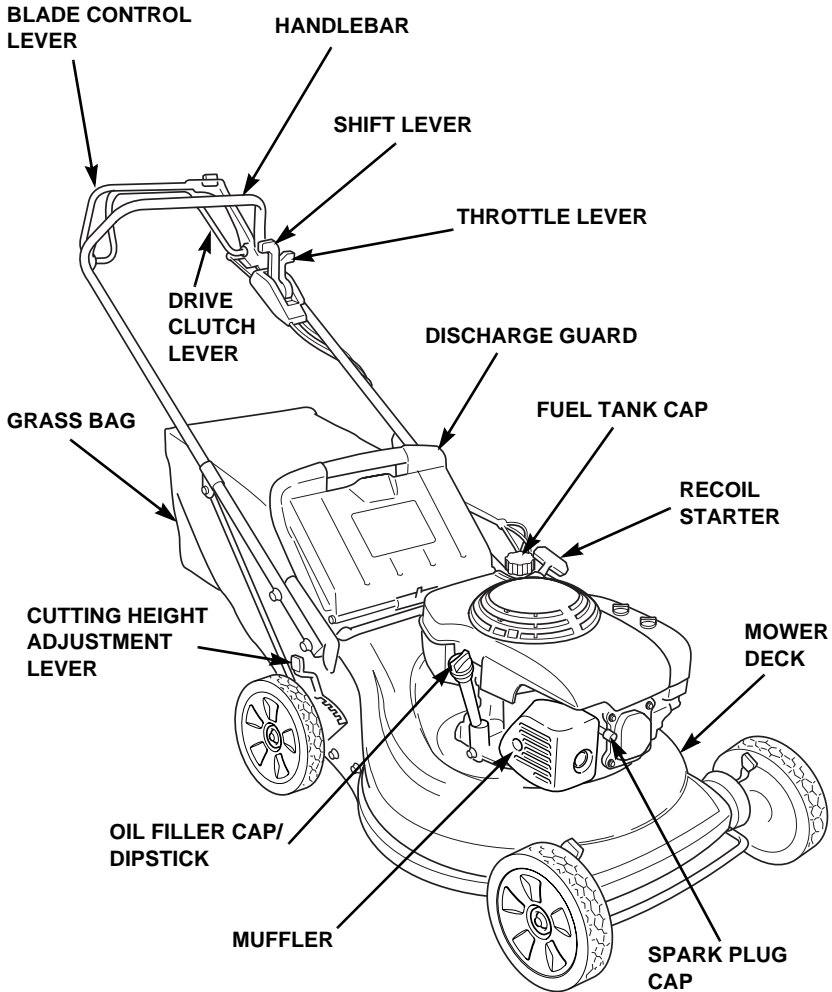
CAUTION

HOT MUFFLER CAN BURN YOU.
Stay away if engine has been running.

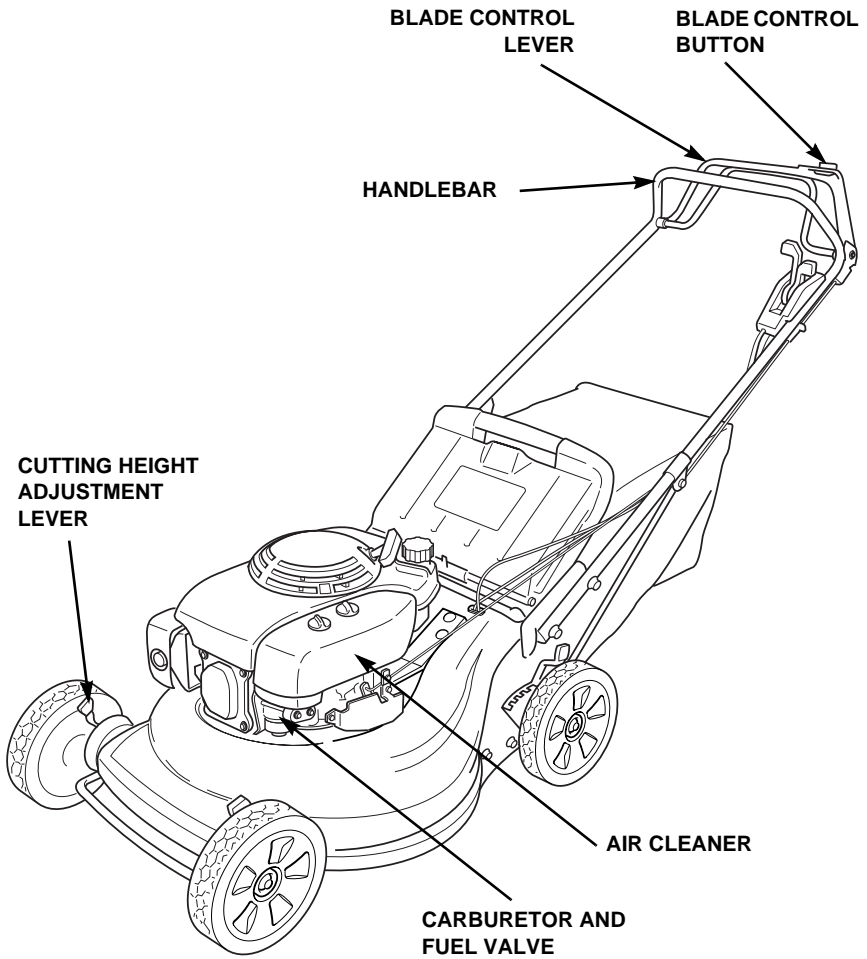


CONTROLS & FEATURES

COMPONENT & CONTROL LOCATIONS



CONTROLS & FEATURES

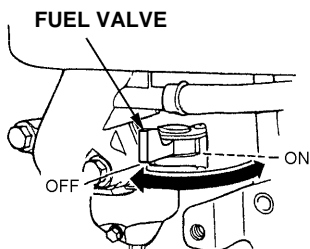


CONTROLS & FEATURES

DESCRIPTION OF CONTROLS

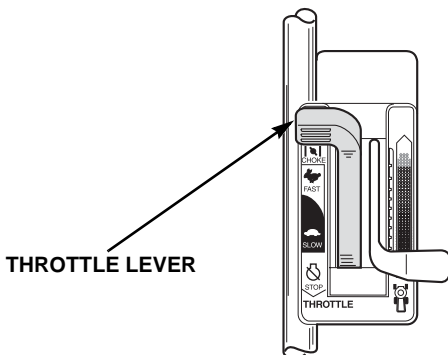
Fuel Valve


The fuel valve opens and closes the fuel passage from the fuel tank to the carburetor.





Throttle Lever


The throttle lever controls engine speed and opens and closes the choke.



 **CHOKE** Closes the choke; use when starting a cold engine.

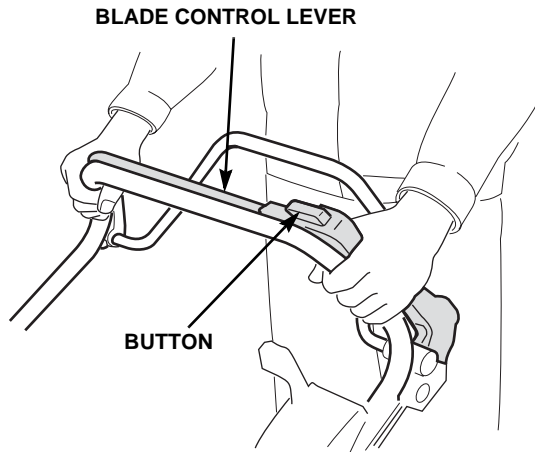
 **FAST** For restarting a warm engine and for mowing.

 **SLOW** For idling the engine.

 **STOP** For stopping the engine.

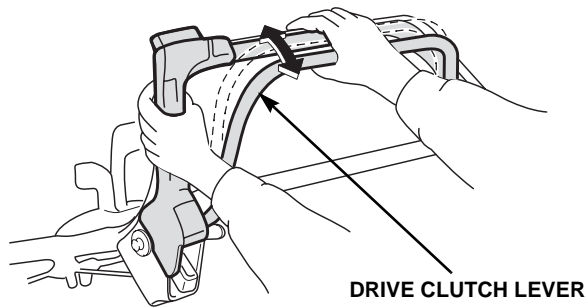
Blade Control Lever

The blade control lever starts and stops blade rotation.



Drive Clutch Lever

The drive clutch lever engages and disengages the transmission that drives the rear wheels.



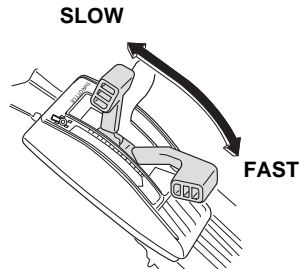
CONTROLS & FEATURES

Shift Lever

The shift lever selects and controls the self-propelled drive speed.

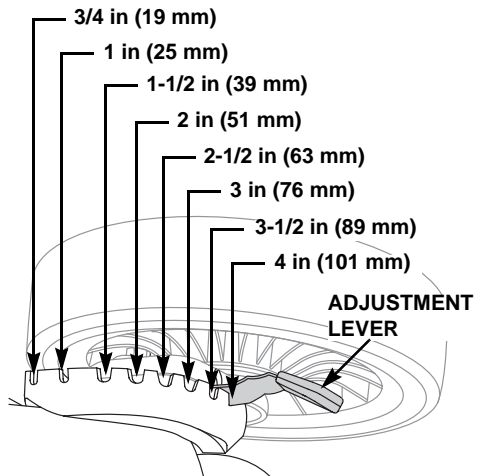
SLOW Use a slow speed for mowing thick grass or maneuvering in small areas.

FAST For maximum self-propelled speed in large, open areas, and for transport.

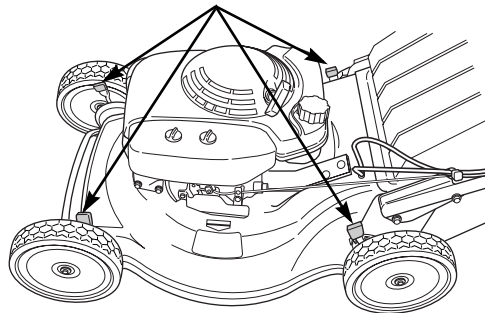


Cutting Height Adjustment Levers

Each wheel of the mower can be adjusted to one of eight settings. Each wheel should be adjusted to the same position.



ADJUSTMENT LEVERS



BEFORE OPERATION

ARE YOU READY TO GET STARTED?

Your safety is your responsibility. A little time spent in preparation will significantly reduce your risk of injury.

Knowledge

Read and understand this manual. Know what the controls do and how to operate them.

Familiarize yourself with the lawn mower and its operation before you begin using it. Know how to quickly shut off the lawn mower in case of an emergency.

Are You Ready to Mow?

Be sure to wear protective clothing. Long pants and eye protection can lower your risk of injury from thrown objects. Wear footwear that protects your feet and won't let you slip if you mow on slopes or uneven ground.

IS YOUR LAWN MOWER READY TO GO?

For your safety, and to maximize the service life of your lawn mower, it is very important to take a few moments before you operate the lawn mower to check its condition. Be sure to take care of any problem you find, or have your servicing dealer correct it, before you operate the lawn mower.

WARNING

Improperly maintaining this lawn mower, or failing to correct a problem before operation, could cause a malfunction in which you could be seriously injured.

Always perform a pre-operation inspection before each operation, and correct any problem.

Before beginning your pre-operation checks, be sure the lawn mower is on a level surface.

BEFORE OPERATION

Check the General Condition of the Lawn Mower

- Look around and underneath the lawn mower for signs of oil or gasoline leaks.
- Look for signs of damage.
- Check each control for proper operation.
- Check the blades for wear. Replace as necessary (page 31).
- Check that the blade bolts are tight (page 33).
- Check that all nuts, bolts, and screws are tightened.

Check the Engine

- Check the air cleaner (page 37) and oil level (page 35).
- Check the fuel level (page 45). Starting with a full tank will help to eliminate or reduce operating interruptions for refueling.

CHECK YOUR WORK AREA

For your safety and the safety of others, always inspect the area before operating the lawn mower.

Objects

Anything which can be picked up by the blade and thrown is a potential hazard to you and others. Look for things like stones, sticks, nails, and wire, and remove them from the work area.

People and Pets

People and animals near the work area can move into your lawn mower's path or into a position where they could be struck by thrown objects. Clear the area of people, especially children and pets. Their safety is your responsibility.

Work Area

Check the condition of the grass. Adjust your lawn mower ground speed and mowing swath accordingly.

GET THE MOWER READY

Grass Bag

A lawn mower works like a vacuum cleaner; it blows air through the bag, which traps the grass clippings. Always empty the grass bag before it becomes filled to the limit of its capacity. Bagging performance will diminish after the bag becomes about 90% filled. Also, the bag is easier to empty when it is not packed full.

Inspection

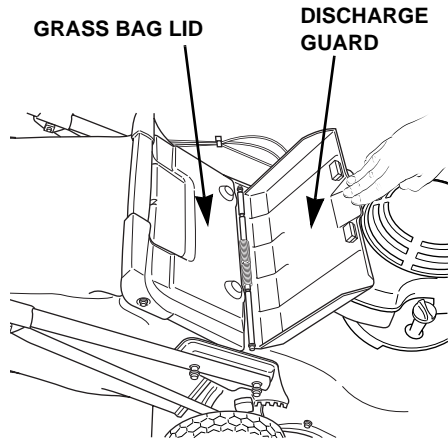
Inspect the grass bag for tears, holes, and excessive wear. The grass bag wears during normal use and will eventually require replacement. Grass bag replacement is explained on page 34.

Installation

1. Raise the discharge guard and hook the grass bag onto the mower deck as shown.
2. Release the discharge guard to secure the grass bag.

Removal

1. Raise the discharge guard, grasp the grass bag handle and remove the grass bag.
2. Release the discharge guard.
3. When the grass bag is clear of the discharge guard, you can lift it through the handlebar opening, or you can remove it to the rear of the mower below the handlebar.

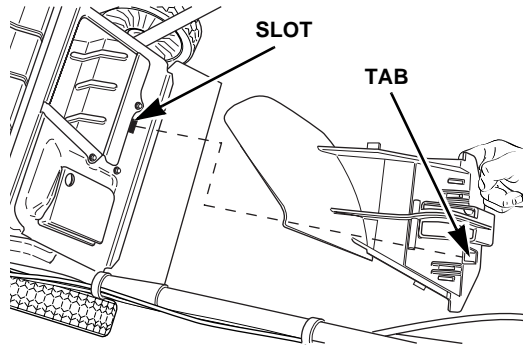


BEFORE OPERATION

Mulching Plug

To mulch the grass clippings rather than bag them, install the mulching plug.

1. Stop the engine.
2. Raise the discharge guard.
3. Remove the grass bag.
4. Insert the mulching plug into the discharge chute at the back of the mower.



Make sure the tab at the bottom rear of the mulching plug fits snugly into the slot at the back of the discharge chute.

Cutting Height

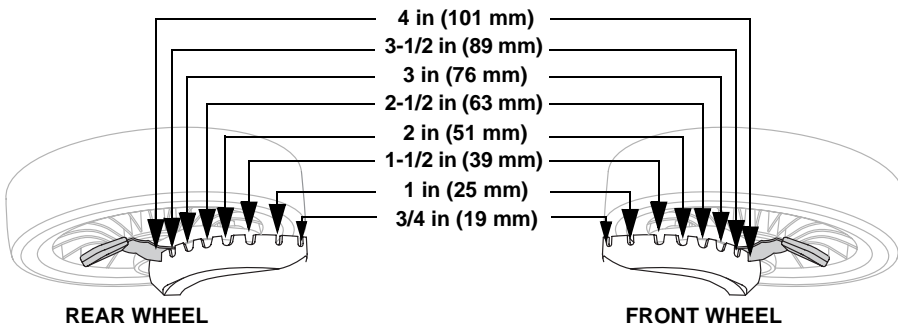
To adjust cutting height, pull each adjustment lever toward the wheel and move it into another notch.

To lower the deck, move the front wheel adjusters backward and the rear wheel adjusters forward.

To raise the deck, move the front wheel adjusters forward and the rear wheel adjusters backward.

Move the adjustment lever to the same notch on each wheel.

If you are not sure what cutting height to select, start with a high setting and mow a small area. If necessary, adjust the cutting height.



OPERATION

MOWING PRECAUTIONS

Before operating the mower for the first time, please review *IMPORTANT SAFETY INFORMATION* (page 4) and the previous chapter, *BEFORE OPERATION* (page 13). Even if you have operated other mowers, take time to become familiar with how this mower works and practice in a safe area until you build up your skills. For your safety, avoid starting or operating the engine in an enclosed area such as a garage. Your mower's exhaust contains poisonous carbon monoxide gas which can collect rapidly in an enclosed area and cause illness or death.

STARTING THE ENGINE

Before starting, always release the blade control lever and the drive clutch lever so the blade will not turn and the mower will not move forward when you operate the starter.

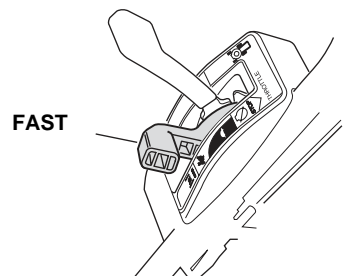
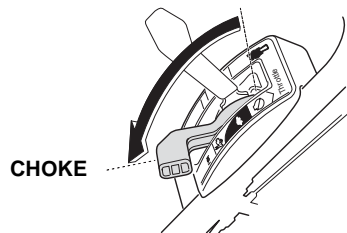
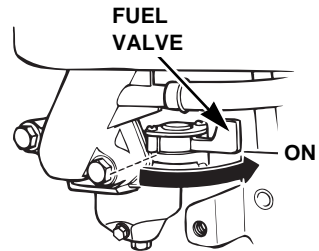
1. Turn the fuel valve to the ON position.
2. Move the throttle lever to the proper starting position.

COLD ENGINE:

Move the throttle lever to the CHOKE position.

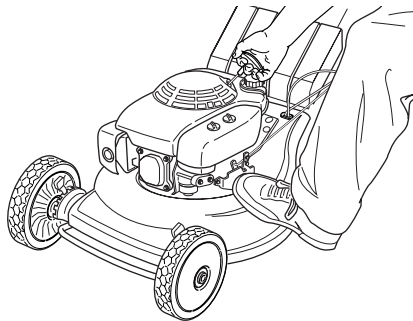
WARM ENGINE:

Move the throttle lever to the FAST position.

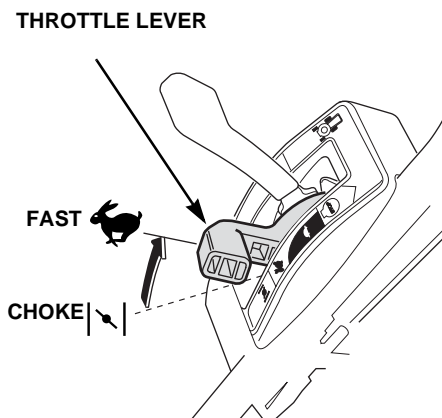


OPERATION

3. Place your foot on the mower deck step. Pull the starter grip lightly until you feel resistance, then pull briskly. Return the starter grip gently.



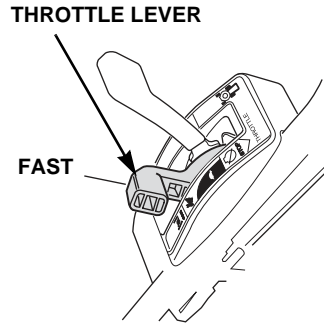
4. If the CHOKE position was used during starting, move the throttle lever away from the CHOKE position as soon as the engine warms up enough to run smoothly without use of the choke. Set the throttle lever at FAST to mow or at SLOW to idle.



OPERATING THE CONTROLS FOR MOWING

Throttle Lever

For best cut quality, always mow with the throttle lever in the FAST position. When the blades rotate at the preset fast speed, it creates a strong fan action that lifts and cuts grass more efficiently. Do not try to increase the preset engine speed: the blades could fracture and come apart.



Blade Control Lever

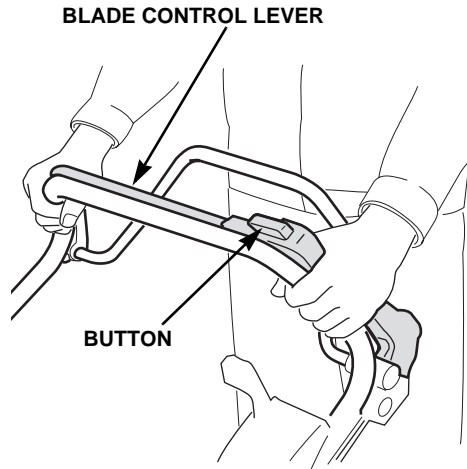
To start blade rotation, press the button on top of the blade control lever, then push the lever forward quickly and hold it against the handlebar. To prevent stalling, always put the throttle lever in the fast position before engaging the blade control lever.

Release the blade control lever to stop the blades.

Operate the blade control lever with a quick and complete motion, so the blade control is always either fully engaged or stopped.

This will help to prevent stalling the engine, and it will also extend the service life of the blade control mechanism.

Always release the blade control lever before starting the engine to prevent the blades from turning.

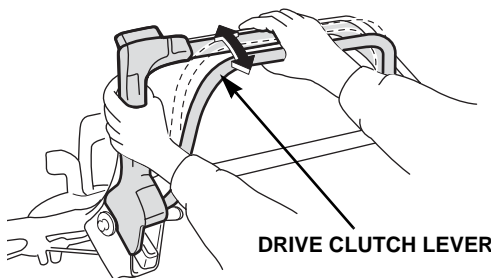


OPERATION

Drive Clutch Lever

Push the drive clutch lever forward to propel the mower.

Release the drive clutch lever to stop the mower's forward movement.



You can control self-propelled speed with the drive clutch lever. The mower will move gradually faster as you push the drive clutch lever forward. If you push the lever all the way forward to the handlebar, the mower will move at the speed determined by the shift lever setting (page 21).

When moving and using the drive clutch lever to change self-propelled speed, continue to fully hold the blade control lever against the handlebar. This will help prevent damage to the blade control mechanism. Use the shift lever (page 21) to change the maximum speed so you can hold the drive clutch lever comfortably against the handlebar.

For self-propelled mowing, press the button on top of the blade control lever, push the blade control lever forward, then push the drive clutch lever forward. The drive clutch lever can be used to hold the blade control lever against the handlebar.

Always release the drive clutch lever before starting the engine. If the drive clutch is engaged, the mower will move forward when you operate the starter.

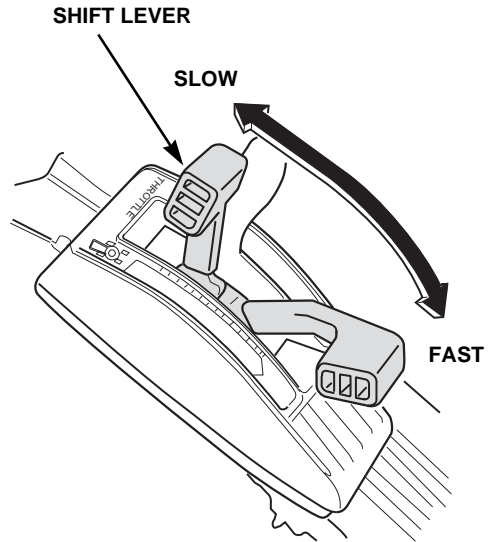
Shift Lever

Use the shift lever to select the forward speed at which you wish to mow.

Do not use the throttle lever to adjust your forward speed. The throttle lever must remain in the FAST position for good mowing performance. Otherwise, cut quality suffers.

The position of the shift lever determines the maximum ground speed when the drive clutch lever is fully engaged. If you wish to momentarily slow the mower during operation, partially release the drive clutch lever, then resume your normal speed by pushing the drive clutch lever forward again. It is not necessary to move the shift lever for momentary speed reduction.

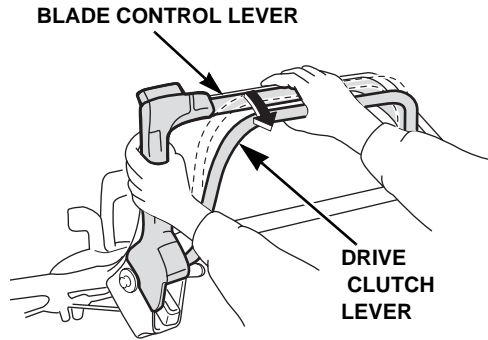
For maximum mowing performance, use the lower speed range for mowing and the higher speed range for transporting.



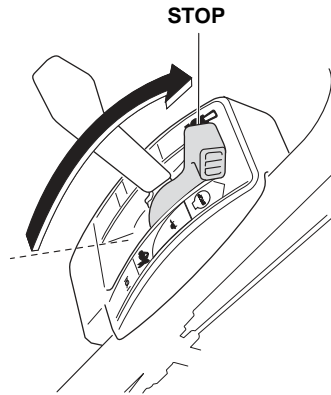
OPERATION

STOPPING THE ENGINE

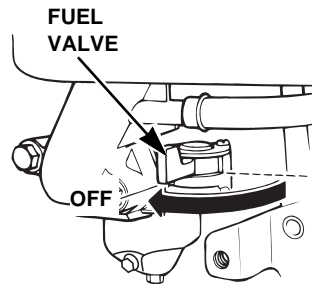
1. Release the drive clutch and blade control levers.



2. Move the throttle lever to STOP.



3. When the mower is not in use, turn the fuel valve to the OFF position.



SAFE MOWING PRACTICES

For your safety, keep all four wheels on the ground, and be careful to avoid losing your footing and your control of the mower. Keep a firm grip on the handlebar, and walk, never run, with the mower. Be very careful when mowing uneven or rough ground.

If stuck, do not kick or shove the mower with your foot. Use the handlebar to control the mower.

! WARNING

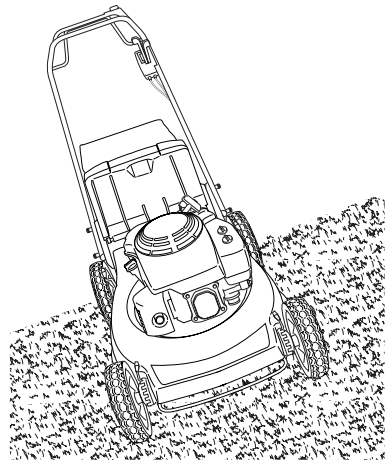
The blades are sharp and spin at high speed.

A spinning blade can cut you severely and can amputate fingers and toes.

- Wear protective footwear.
- Keep your hands and feet away from the mower deck while the engine is running.
- Stop the engine before performing any adjustment, inspection, or maintenance.

Slopes

Mow across slopes, not up and down. Avoid steep slopes (more than 20°), and be careful when changing direction. Mowing on a slope when the grass is damp or wet could cause you to slip, fall, and lose control of the mower.



MAXIMUM SLOPE: 20°

OPERATION

Obstacles

Use the side of the mower to cut close to large obstacles, such as fences or walls.

Release the drive clutch lever to disengage the drive when mowing around trees and other obstacles. Push the mower around obstacles for better directional control. Be careful when mowing over obstacles embedded in the lawn, such as sprinkler heads, paving, edging, raised tree roots, etc. Avoid anything that sticks up above the surface of the lawn.

If the blade hits something, or if the mower starts to vibrate, stop the engine immediately, disconnect the spark plug cap, and check the mower for damage (page 31). Striking objects may damage the blades, bend the crankshaft, and/or break the mower deck or other components. Vibration usually indicates serious trouble.

WARNING

A worn, cracked, or damaged blade can break, and pieces of the damaged blade can become dangerous projectiles.

Thrown objects can cause serious injury.

Inspect the blades regularly, and do not operate the mower with a worn or damaged blade.

The *Distributor's Limited Warranty* page does not cover parts damaged by accident or collision.

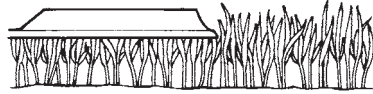
Gravel and Loose Objects

Gravel, loose stones, and landscaping material can be picked up by the mower and thrown great distances with enough force to cause serious personal injury and/or property damage. The best way to prevent potential injury from thrown objects is to release the blade control lever to stop the blades before reaching areas with gravel, loose stones, or landscaping material.

MOWING TIPS

When to Mow

Most grasses should be mowed when they have grown 1/2 to 1 inch above their recommended height.



More frequent mowing is required for mulching than for bagging. For best results, you may need to mow the lawn twice a week during the growing season.

Cutting Height

Consult a local nursery or lawn and garden center for cutting height recommendations and advice about specific types of grasses and growing conditions in your area.



If you look closely, you'll see that most grass has stems and leaves. If you cut off the leaves, you'll scalp the lawn. Let the grass recover between mowings. Your mower will work better, and your lawn will look better.



If your grass gets too tall, cut it once at the highest cutting height setting, then mow again in 2 or 3 days. Don't take off more than one third of total grass height in any one mowing, or brown patches may develop.

Cutting height adjustment is explained on page 16.

Cutting Width

For an even lawn finish, overlap each mowing swath by a few inches. If the grass is very tall or thick, use more overlap and a narrower mowing swath.

Blade Speed

The blade must spin very fast to cut properly. Always use the FAST throttle setting, and keep the engine running at maximum rpm.

If engine speed drops, it could mean the engine is being overloaded by the blade trying to cut too much grass. Mow a narrower swath, move the mower slower, or raise the cutting height.

OPERATION

Blade Sharpness

A sharp blade cuts cleanly. A dull blade tears the grass, leaving shredded ends that turn brown. When your blade doesn't cut cleanly anymore, have it sharpened or replaced.

Dry Grass

If the ground is too dry, mowing will stir up a lot of dust. Besides being unpleasant to work in, too much dust will clog the air filter. If dust is a problem, water your lawn the day before mowing. Mow when the grass is dry to your touch, but the soil is still moist.

Wet Grass

Wet grass is slippery and can make you lose your footing. Also, wet grass clippings will clog the mower deck and collect in clumps on the lawn. Always wait for wet grass to dry before mowing.

Fallen Leaves

Your mower can be used to pick up fallen leaves for disposal. If using the mower to bag large amounts of fallen leaves, and not for mowing, set the cutting height adjustment levers so the front of the mower deck is one or two settings higher than the rear.

If you want to mulch fallen leaves into your lawn, don't let the leaf cover get too deep before you begin. For best results, start mulching while grass still shows through the leaf cover. In places where fallen leaves completely cover the grass, remove the leaves by raking, or use the grass bag, so your mower can pick them up for disposal.

Clogged Mower Deck

Before clearing a clogged mower deck, stop the engine and turn the fuel valve to the OFF position. With the spark plug cap disconnected, tilt the mower so the air cleaner side is up.

Clear a clogged deck with a stick, not your hands.

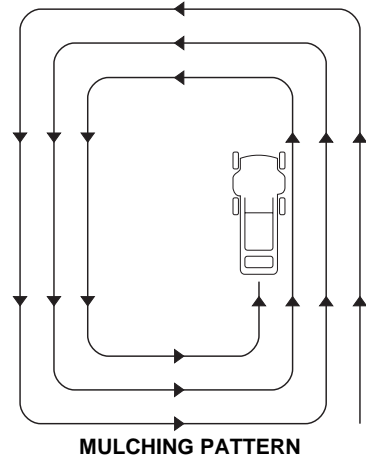
Mowing Patterns

Your Honda mower will work most efficiently if you use the following mowing patterns as much as possible. Mower deck and equipment design, and the direction in which the blade rotates, cause these mowing patterns to give the best results.

If your lawn has an irregular shape or many obstacles, divide it into sections where you can use the recommended mowing pattern.

Mulching

Use a counterclockwise mowing pattern.



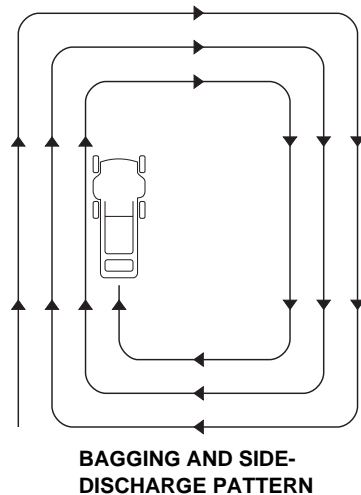
Bagging

Use a clockwise mowing pattern. This will give the best bagging performance, leaving the least amount of clippings on the lawn.

Side-Discharge Mowing

(Requires optional side-discharge chute).

Where possible, use the same mowing pattern recommended for bagging. If the lawn has an irregular shape or many obstacles, divide it into sections where clippings will be discharged away from uncut areas. This will prevent clippings from piling up in the path of the mower.



SERVICING YOUR LAWN MOWER

THE IMPORTANCE OF MAINTENANCE

Good maintenance is essential for safe, economical, and trouble-free operation. It will also help reduce air pollution.

WARNING

Improper maintenance, or failure to correct a problem before operation, can cause a malfunction in which you can be seriously hurt or killed.

Always follow the inspection and maintenance recommendations and schedules in this owner's manual.


To help you properly care for your mower, the following pages include a maintenance schedule, routine inspection procedures, and simple maintenance procedures using basic hand tools. Other service tasks that are more difficult, or require special tools, are best handled by professionals and are normally performed by a Honda technician or other qualified mechanic.

The maintenance schedule applies to normal operating conditions. If you operate your mower under severe conditions, such as sustained high-load or high-temperature operation, or use in unusually wet or dusty conditions, consult your servicing dealer for recommendations applicable to your individual needs and use.

Maintenance, replacement, or repair of the emission control devices and systems may be performed by any engine repair establishment or individual, using parts that are “certified” to EPA standards.

MAINTENANCE SAFETY

Some of the most important safety precautions follow. However, we cannot warn you of every conceivable hazard that can arise in performing maintenance. Only you can decide whether or not you should perform a given task.

 WARNING
Failure to properly follow maintenance instructions and precautions can cause you to be seriously hurt or killed.
Always follow the procedures and precautions in this owner's manual.

Safety Precautions

- Make sure the engine is off before you begin any maintenance or repairs. This will eliminate several potential hazards:
 - **Carbon monoxide poisoning from engine exhaust.**
Be sure there is adequate ventilation whenever you operate the engine.
 - **Burns from hot parts.**
Let the engine and exhaust system cool before touching.
 - **Injury from moving parts.**
Do not run the engine unless instructed to do so.
- Read the instructions before you begin, and make sure you have the tools and skills required.
- To reduce the possibility of fire or explosion, be careful when working around gasoline. Use only a nonflammable solvent, not gasoline, to clean parts. Keep cigarettes, sparks, and flames away from all fuel-related parts.

Remember that an authorized Honda servicing dealer knows your mower best and is fully equipped to maintain and repair it.

To ensure the best quality and reliability, use only new, genuine Honda parts or their equivalents for repair and replacement.

SERVICING YOUR LAWN MOWER

MAINTENANCE SCHEDULE

ITEM	Perform at every indicated interval	REGULAR SERVICE PERIOD (1)					See page
		Before each use	First 20 hours	Every 50 hours	Every 100 hours	Every 300 hours	
Blades	Inspect condition	O					31
	Check bolt torque	O					33
Grass bag	Check	O					34
Engine oil	Check	O					35
	Change		O		O (2)		36
Air cleaner	Check	O					37
	Clean			O (2)			
	Replace filter					O (2)	
Spark plug	Check-Adjust				O		38
	Replace					O	
Spark arrester (optional equipment)	Clean-Inspect				O		40
Valve clearance	Check-Adjust					O (3)	–
Ratchet receiver	Lubricate				O (3)		–
Blade control	Check operation		O		O		41
	Adjust cable		O		O		
Drive clutch	Adjust cable		O		O		42
Throttle cable	Check		O				44
	Adjust				O (3)		–
Idle speed	Check-Adjust					O (3)	–
Fuel system	Clean tank					O (3)	–
	Check line	Every 2 years [replace if necessary (3)]					

- (1) For commercial use, log hours of operation to determine the proper maintenance intervals.
- (2) Service more frequently when used in dusty areas.
- (3) These items should be serviced by an authorized Honda servicing dealer, unless you have the proper tools and are mechanically proficient. Refer to the Honda shop manual for service procedures.

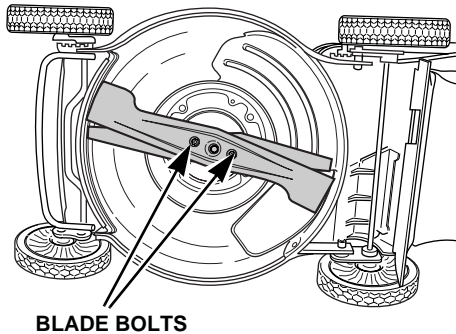
Failure to follow this maintenance schedule could result in non-warrantable failures.

SERVICING YOUR LAWN MOWER

BLADES

Inspection

1. Move the throttle lever to STOP and the fuel valve to OFF (page 10).
2. Disconnect the spark plug cap from the spark plug (page 38).
3. Tilt the mower to the right, from the operators view, so the air cleaner side is up.
4. Check that the blade bolts are tight (page 33).
5. Inspect blades for wear and damage.



WARNING

A worn, cracked, or damaged blade can break, and pieces of the damaged blade can become dangerous projectiles.

Thrown objects can cause serious injury.

Inspect the blade regularly, and do not operate the mower with a worn or damaged blade.



NORMAL



EXCESSIVELY
WORN



BENT



CRACKED

A dull blade can be sharpened, but a blade that is excessively worn, bent, cracked, or otherwise damaged must be replaced. A worn or damaged blade can break, causing blade pieces to be thrown from the mower.

If the blades are bent or dull, take the lawn mower to an authorized Honda servicing dealer for inspection. If you have a torque wrench, you can remove and install the blades yourself (page 32).

SERVICING YOUR LAWN MOWER

Blade Removal and Installation

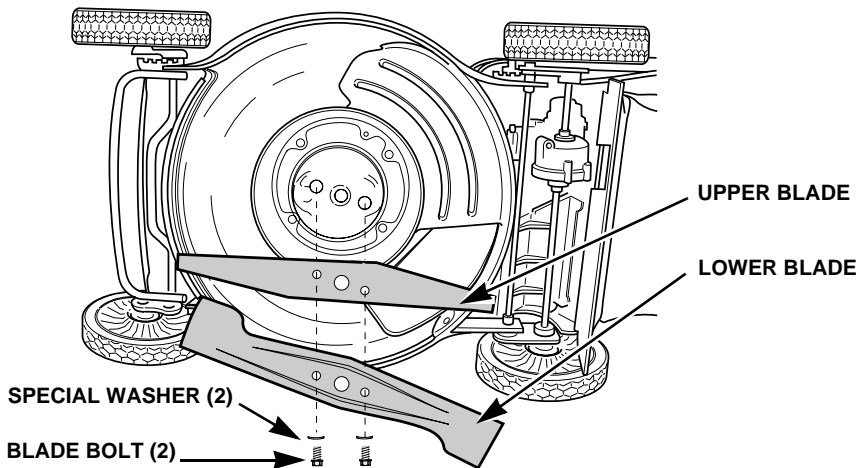
If you remove the blades for sharpening or replacement, you will need a torque wrench for installation. Wear heavy gloves to protect your hands.

BLADE SHARPENING: To avoid weakening the blades or causing imbalance or poor cutting, the blades should be sharpened by trained staff at an authorized Honda servicing dealer.

BLADE REPLACEMENT: Use genuine Honda replacement blades or their equivalent (page 74).

Blade Removal

1. Move the throttle lever to STOP and the fuel valve to OFF (page 10).
2. Disconnect the spark plug cap from the spark plug (page 38).
3. Tilt the mower to the right, from the operators view, so the air cleaner side is up. This will help to prevent fuel leakage and hard starting due to carburetor flooding.
4. Use a wooden block to hold the blades so they cannot turn.
5. Remove the two blade bolts with a 14 mm socket wrench.
6. Remove both blades from the blade control assembly.

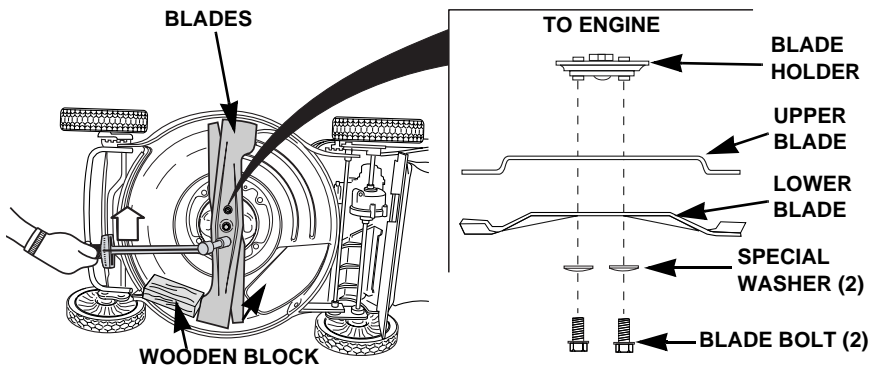


SERVICING YOUR LAWN MOWER

Blade Installation

1. Clean dirt and grass from around the blade mounting area.
2. Install the blades using the two blade bolts and special washers as shown. Be sure to install the special washers with the concave side toward the blades and the convex side toward the bolts.

The blade bolts and washers are specially designed for this application. When replacing bolts and washers, use only genuine Honda replacement parts.



3. Finger tighten the blade bolts until both blades are secured on the blade holder. Make sure that the bolt holes on the upper blade are fully seated over the locator pins. If the blades are not fully seated on the locator pins, they will cause excessive vibration and damage your lawn mower. Do not continue to run the engine if you notice excessive vibration. Re-check the positioning of the blades.
4. With the blades properly seated, hold the blades so they cannot rotate and tighten the bolts with a torque wrench.

Blade bolt torque: 36 ~ 43 ft-lb; 5.0 ~ 6.0 kg-m (49 ~ 59 N-m)

If you do not have a torque wrench, have an authorized Honda servicing dealer tighten the blade bolts before you use the mower. If the blade bolts are overtightened, they could break. If the blade bolts are not tightened enough, they could loosen or come out. In either case, it would be possible for the blades to fly off while you are operating the mower.

5. Install the spark plug cap on the spark plug.

SERVICING YOUR LAWN MOWER

GRASS BAG CLEANING AND REPLACEMENT

Grass Bag Cleaning

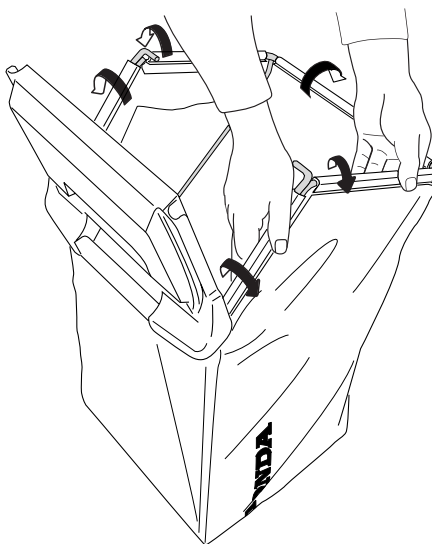
Wash the bag with a garden hose, and allow it to dry completely before use; a wet bag will clog quickly.

Grass Bag Replacement

Replace a worn or damaged bag with a Honda replacement bag or its equivalent (page 70).

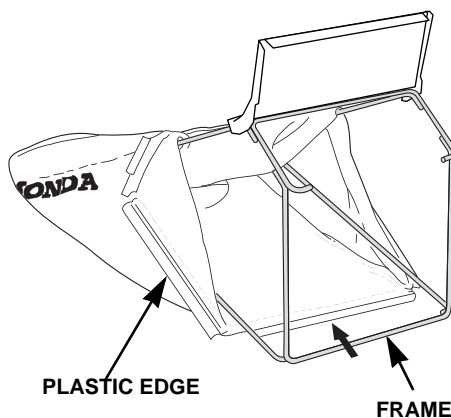
Bag Removal

1. Unclip the plastic edges of the bag from the frame.
2. Remove the bag from the frame.



Bag Installation

1. Insert the bag frame into the bag, as shown.
2. Clip the plastic edges of the bag onto the frame.

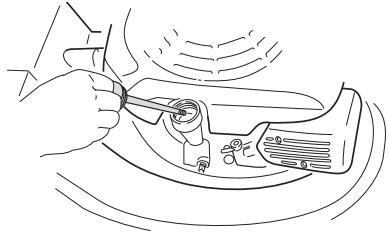


SERVICING YOUR LAWN MOWER

ENGINE MAINTENANCE

Engine Oil Level Check

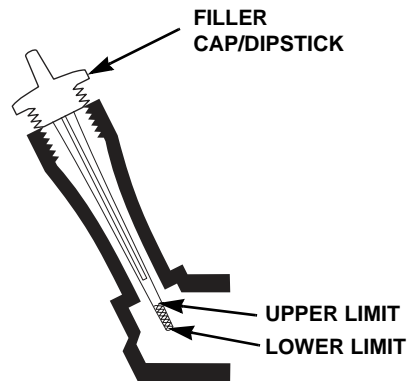
1. Unscrew and remove the filler cap/dipstick and wipe it clean.
2. Insert and remove the dipstick **without screwing it into the filler neck**. Check the oil level shown on the dipstick.
3. If the oil level is low, add oil to reach the upper limit mark on the dipstick. Do not overfill. If the engine is overfilled, the excess oil may get transferred to the air cleaner housing and air cleaner filter.



NOTICE

Running the engine with a low oil level can cause engine damage.

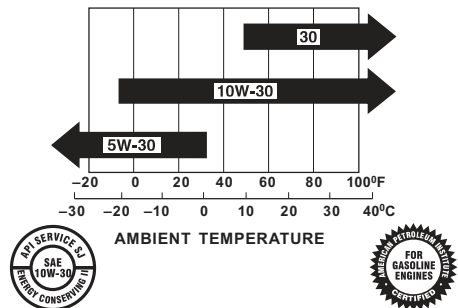
4. Screw in the filler cap/dipstick securely.



Engine Oil Recommendations

Oil is a major factor affecting performance and service life. Use 4-stroke automotive detergent oil.

SAE 10W-30 is recommended for general use. Other viscosities shown in the chart may be used when the average temperature in your area is within the recommended range.



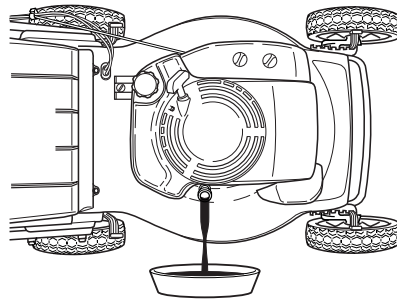
The SAE oil viscosity and service classification are in the API label on the oil container. Honda recommends API SERVICE category SJ or later oil with the ILSAC "starburst" certification mark displayed on the container.

SERVICING YOUR LAWN MOWER

Engine Oil Change

Drain the used oil while the engine is warm. Warm oil drains quickly and completely.

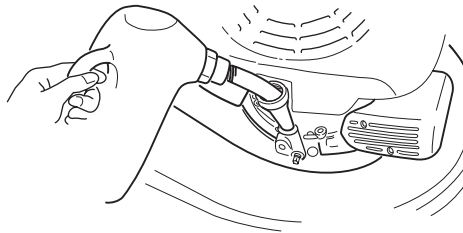
1. Put the throttle lever in the STOP position.
2. Turn the fuel valve OFF (page 10). This will reduce the possibility of fuel leakage.
3. Wipe the oil filler area clean, then remove the oil filler cap/dipstick.
4. Place a suitable container next to the mower to catch the used oil, then tilt the mower on its right side.



The used oil will drain through the filler neck. Allow the oil to drain completely.

Please dispose of used motor oil and the containers in a manner that is compatible with the environment. We suggest you take it in a sealed container to your local recycling center or service station for reclamation. Do not throw it in the trash, pour it on the ground or down a drain.

5. Fill with the recommended oil. Do not overfill. Allow a couple of minutes for the oil to settle in the engine, then measure the oil level as shown on page 35.



NOTICE

Using nondetergent oil can shorten the engine's service life, and using 2-stroke oil can damage the engine.

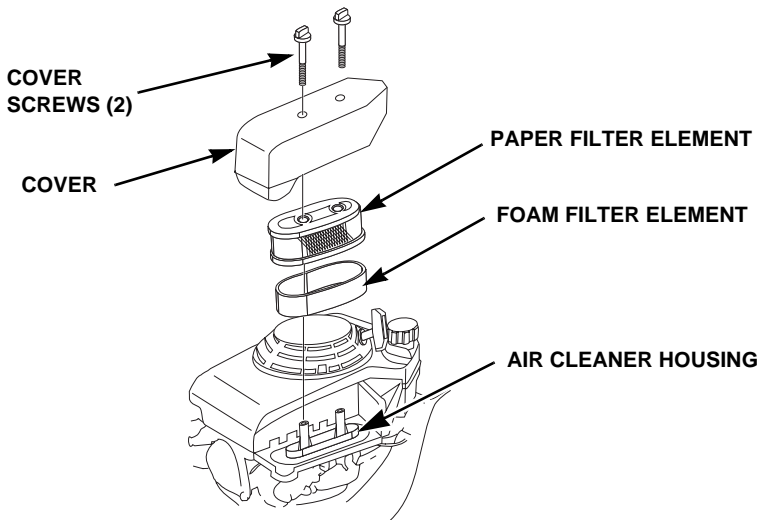
SERVICING YOUR LAWN MOWER

Air Cleaner Service

A dirty air filter will restrict air flow to the carburetor, reducing engine performance. If you operate the mower in very dusty areas, clean the air filter more often than specified in the MAINTENANCE SCHEDULE (page 30).

NOTICE

Operating the engine without an air filter, or with damaged elements, will allow dirt to enter the engine, causing rapid engine wear. This type of damage is not covered by the Distributor's Limited Warranty (page 72).



1. Unscrew and remove the air cleaner cover screws, then remove the air cleaner cover.
2. Remove the air filter and separate the filter elements.
3. Inspect the elements for holes, tears, or other damage, and replace them if they are damaged.
4. Clean the elements.

Paper element: Tap the element several times on a hard surface to remove dirt, or blow compressed air (not exceeding 30 psi [207 kPa]) through the element from the inside. Never try to brush off dirt; brushing will force dirt into the fibers.

SERVICING YOUR LAWN MOWER

Foam element: Clean it in warm soapy water and rinse or clean it in nonflammable solvent; allow it to dry thoroughly. Apply foam filter oil to the clean foam element and squeeze out all the excess oil.

NOTICE

Excess oil will restrict air flow through the foam element and may transfer to the paper element, soaking and clogging it.

5. Wipe dirt from the inside of the air cleaner housing and cover, using a moist rag. Be careful to prevent dirt from entering the air duct that leads to the carburetor.
6. Reinstall the filter and cover. Tighten the cover screws securely.

Spark Plug Service

RECOMMENDED SPARK PLUGS	REGULAR	RESISTOR*
NGK	BP5ES	BPR5ES
DENSO	W16EP-U	W16EPR-U
CHAMPION	N12Y	RN12Y

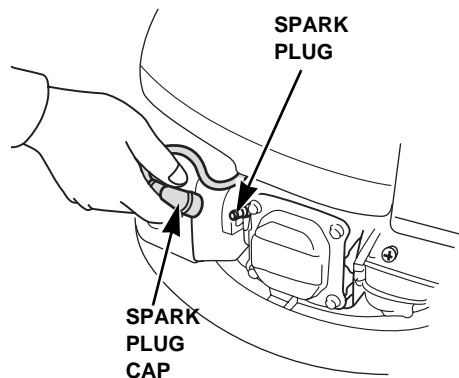
*Resistor spark plugs reduce interference with radio and TV reception.

NOTICE

Incorrect spark plugs can cause engine damage.

For good performance, the spark plug must be properly gapped and free of deposits.

1. Disconnect the spark plug cap and remove any dirt from around the spark plug area.

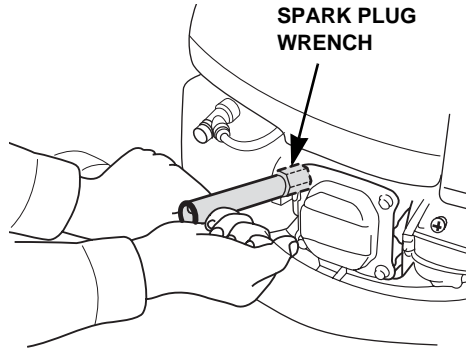


SERVICING YOUR LAWN MOWER

2. Remove the spark plug with a 13/16 in (21 mm) spark plug wrench.

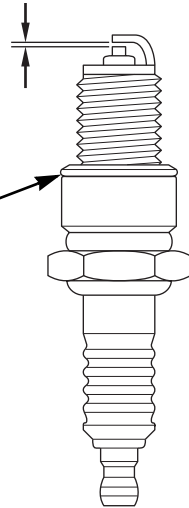
3. Inspect the spark plug. Replace it if the electrodes are worn, or if the insulator is cracked or chipped.

4. Measure the spark plug electrode gap with a suitable gauge. The gap should be 0.028 ~ 0.031 in (0.7 ~ 0.8 mm). Correct the gap, if necessary, by carefully bending the side electrode.



5. Install the spark plug carefully, by hand, to avoid cross-threading.

0.028 ~ 0.031 in
(0.7 ~ 0.8 mm)



6. After the spark plug seats, tighten with a 13/16 in (21 mm) spark plug wrench to compress the washer.

If reinstalling the old spark plug, tighten 1/8 to 1/4 turn after the spark plug seats.

If installing a new spark plug, tighten 1/2 turn after the spark plug seats to compress the washer.

NOTICE

A loose spark plug can overheat and damage the engine. Overtightening the spark plug can damage the threads in the cylinder head.

7. Install the spark plug cap on the spark plug.

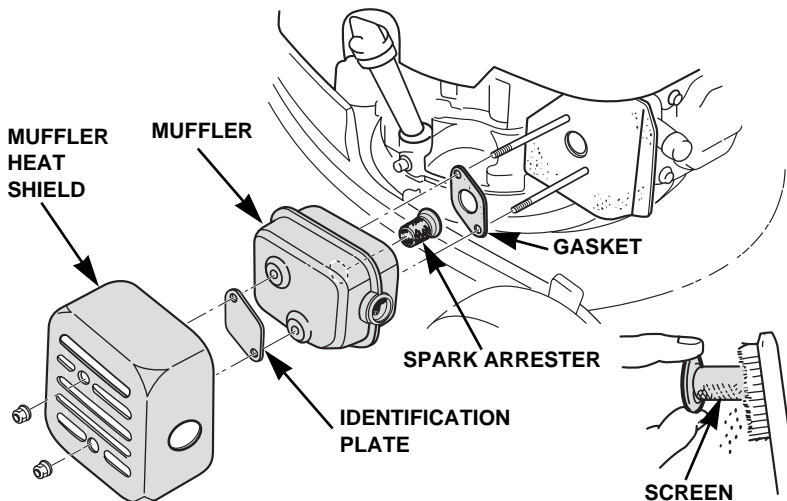
SERVICING YOUR LAWN MOWER

Spark Arrester Service (optional equipment)

Your lawn mower engine is not factory-equipped with a spark arrester. In some areas, it is illegal to operate an engine without a spark arrester. Check local laws and regulations. An optional USDA approved spark arrester is available from an authorized Honda servicing dealer.

The spark arrester must be serviced every 100 hours to keep it functioning as designed.

1. Allow the engine to cool and disconnect the spark plug cap to prevent accidental starting.
2. Remove the muffler heat shield, identification plate, muffler, and gasket.
3. Remove the spark arrester from the muffler.
4. Check for carbon deposits on the spark arrester and the exhaust port. Brush carbon deposits away. Be careful to avoid damaging the spark arrester screen.
5. Installation is the reverse of removal. Tighten all hardware securely.
6. Install the spark plug cap on the spark plug.



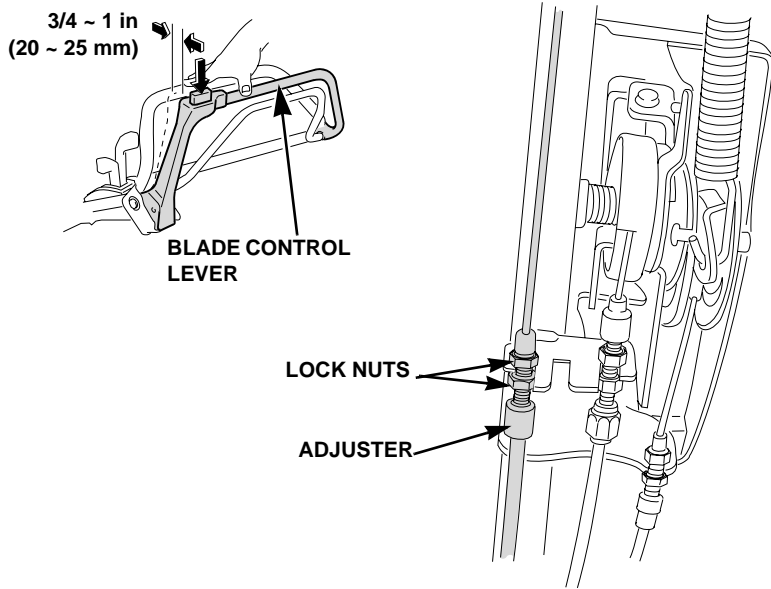
SERVICING YOUR LAWN MOWER

CONTROL CABLE ADJUSTMENTS

Blade Control Lever Adjustment

1. Push the button down on the blade control lever and measure free play at the top of lever.
Free play should be $\frac{3}{4}$ ~ 1 in (20 ~ 25 mm). If adjustment is necessary:
2. Loosen the lock nuts with a 10 mm wrench, and move the adjuster up or down as required.
3. Tighten the lock nuts and recheck free play.
4. Start the engine outdoors. Move the throttle to FAST. Operate the blade control lever. The blades should engage when you push the lever forward and the blades should stop quickly when the lever is released.

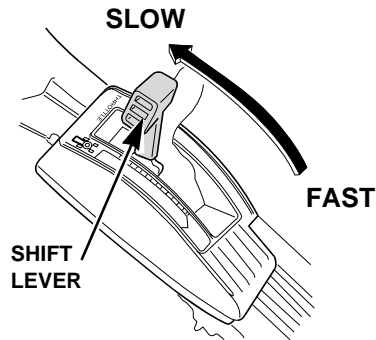
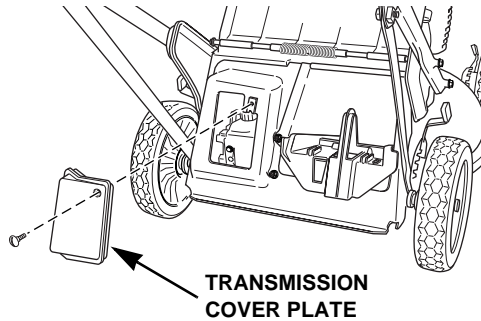
If the blades do not start or stop as it should with the correct cable adjustment, take the mower to an authorized Honda servicing dealer for repair.



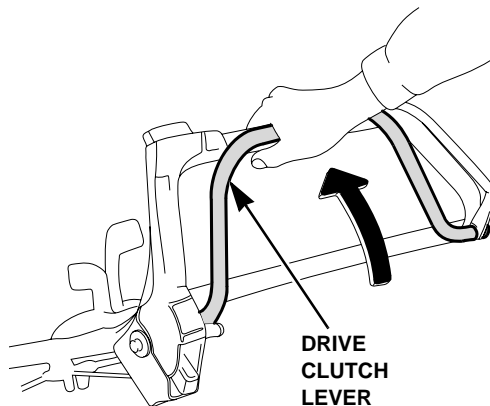
SERVICING YOUR LAWN MOWER

Drive Clutch Cable Adjustment

1. Remove the grass bag and raise the discharge guard.
2. Remove the screw from the transmission cover plate and remove the cover plate.
3. Set the rear cutting height adjusters in the highest cutting height position (see page 16).
4. Move the shift lever to the slowest position.



5. Push the drive clutch lever all the way forward and hold it against the handlebar.



SERVICING YOUR LAWN MOWER

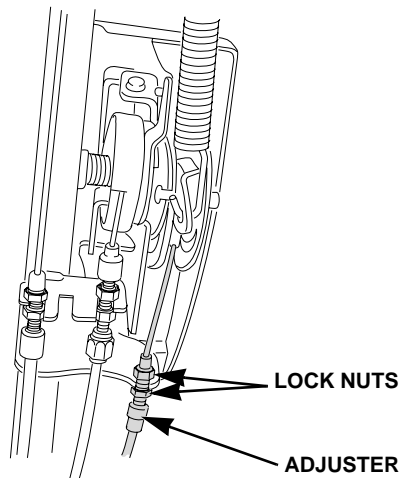
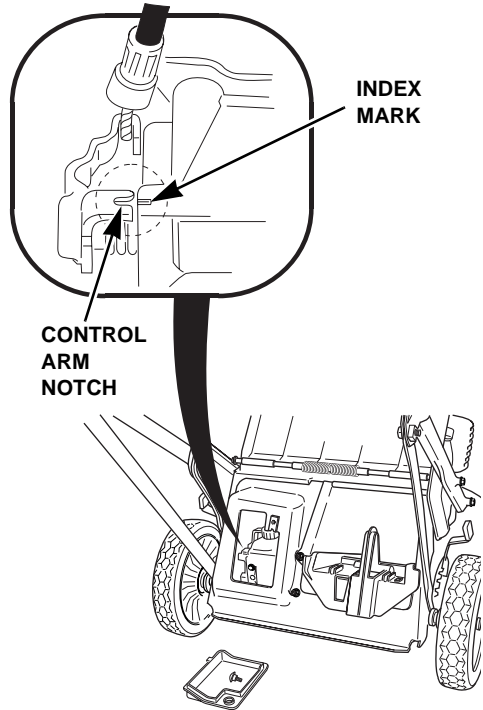
6. While holding the drive clutch lever all the way forward, look through the cover plate hole and check the position of the control arm.

The center of the notch on the control arm should align with the index mark on the transmission case.

7. If adjustment is necessary, loosen the drive clutch cable lock nuts with a 10 mm wrench and move the adjuster up or down as required.
8. Tighten the lock nuts.
9. Operate the clutch lever several times and recheck control arm alignment.
10. After the control arm is precisely aligned, re-install the transmission cover plate.

11. Start the engine and operate the drive clutch lever. Check to be sure the drive clutch lever operates properly.

If the drive clutch lever does not operate properly after the cable is correctly adjusted, take the mower to an authorized Honda servicing dealer for repair.



SERVICING YOUR LAWN MOWER

THROTTLE CABLE INSPECTION

Throttle cable adjustment is necessary if the throttle lever does not operate the choke properly.

You can inspect choke operation by observing the movement of the choke arm, which is located on top of the carburetor.

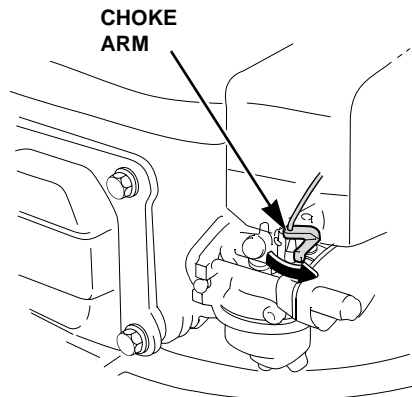
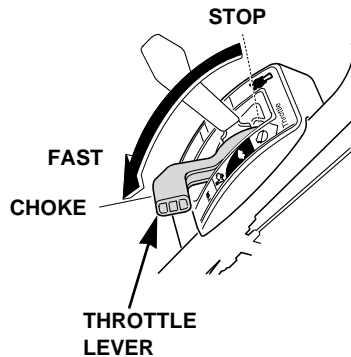
1. Move the throttle lever to the **CHOKE** position. The choke arm should move counterclockwise until it contacts the stop post on the carburetor.

Push the choke arm with your finger to verify that it has moved as far as it will go.

2. Move the throttle lever to the **FAST** position. The choke arm should move clockwise until it contacts the stop post on the carburetor.

Push the choke arm with your finger to verify that it has moved as far as it will go.

3. If the choke arm does not move all the way to its stop in either direction, take the mower to an authorized Honda servicing dealer. Throttle cable adjustment involves related control plate adjustments.



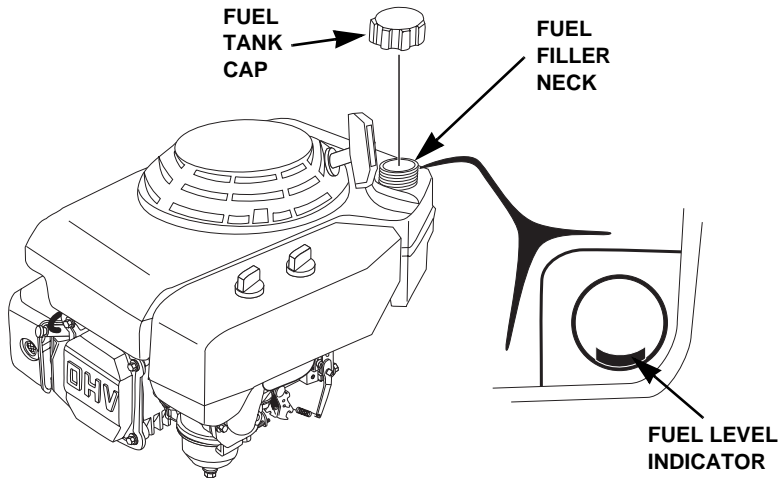
FUEL SYSTEM

Refueling

Fuel tank capacity: 0.53 US gal (2.0 ℓ)

If the fuel level is low, refuel in a well-ventilated area with the engine stopped. If the engine has been running, allow it to cool first. Refer to page 46 for fuel recommendations and page 63 for information about oxygenated fuels.

To refuel, remove the fuel tank cap, and fill the tank with gasoline to the bottom of the filler neck. Refuel carefully to avoid spilling fuel. Do not overfill; fuel should be below the upper level indicator in the filler neck. After refueling, tighten the fuel tank cap securely.



⚠ WARNING

Gasoline is highly flammable and explosive.

You can be burned or seriously injured when handling fuel.

- Stop the engine and keep heat, sparks, and flame away.
- Handle fuel only outdoors.
- Wipe up spills immediately.

SERVICING YOUR LAWN MOWER

Never refuel the engine inside a building where gasoline fumes may reach flames or sparks. Keep gasoline away from appliance pilot lights, barbecues, electric appliances, power tools, etc.

Spilled fuel is not only a fire hazard, it causes environmental damage. Wipe up spills immediately.

Move at least 10 feet (3 meters) away from the fueling source and site before starting the engine.

NOTICE

Fuel can damage paint and plastic. Be careful not to spill fuel when filling your fuel tank. Damage caused by spilled fuel is not covered by the Distributor's Limited Warranty (page 72).

Fuel Recommendations

Use unleaded gasoline with a pump octane rating of 86 or higher.

This engine is certified to operate on unleaded gasoline. Unleaded gasoline produces fewer engine and spark plug deposits and extends exhaust system life.

Never use stale or contaminated gasoline or an oil/gasoline mixture. Avoid getting dirt or water in the fuel tank.

Occasionally you may hear light "spark knock" or "pinging" (metallic rapping noise) while operating under heavy loads. This is no cause for concern.

If spark knock or pinging occurs at a steady engine speed, under normal load, change brands of gasoline. If spark knock or pinging persists, see an authorized Honda servicing dealer.

NOTICE

Running the engine with persistent spark knock or pinging can cause engine damage.

This is considered misuse, and the *Distributor's Limited Warranty* (page 72) does not cover parts damaged by misuse.

For oxygenated fuel information refer to page 63.

STORAGE PREPARATION

Proper storage preparation is essential for keeping your lawn mower trouble free and looking good. The following steps will help to keep rust and corrosion from impairing your lawn mower's function and appearance, and will make the engine easier to start when you use the lawn mower again.

Cleaning

1. Wash the lawn mower, including the underside of the mower deck.

Engine

Wash the engine by hand, and be careful to prevent water from entering the air cleaner.

NOTICE

- *Using a garden hose or pressure washing equipment can force water into the air cleaner. Water in the air cleaner will soak the paper filter and can enter the carburetor or engine cylinder, causing damage.*
- *Water contacting a hot engine can cause damage. If the engine has been running, allow it to cool for at least half an hour before washing.*

Mower Deck

If using a garden hose or pressure washing equipment to clean the mower deck, be careful to avoid getting water into controls and cables, or anywhere near the engine air cleaner or muffler opening.

Before washing the underside of the mower deck, be sure the throttle lever is in the STOP position and the fuel valve is in the OFF position. Disconnect the spark plug cap. Rest the mower on its right side, so the carburetor side is up. This will help to prevent fuel leakage and hard starting due to carburetor flooding. Wear heavy gloves to protect your hands from the blades.

Grass Bag

Remove the bag from the mower and wash it with a garden hose or pressure washing equipment. Allow the bag to dry completely before storage.

STORAGE

2. After washing the lawn mower, wipe dry all accessible surfaces.
3. With the mower in an upright position, start the engine outdoors, and let it run until it reaches normal operating temperature to evaporate any water remaining on the engine.
4. While the engine is running, operate the blade control lever 4 or 5 times to expel water from the blade control mechanism. Allow the blade to spin for several minutes to ensure that no water remains.
5. Stop the engine and allow it to cool.
6. After the lawn mower is clean and dry, touch up any damaged paint (touch-up paint part numbers are on page 74), and coat other areas that may rust with a light film of oil. Lubricate the control cable cores with a silicone spray lubricant (page 74).

Fuel

Gasoline will oxidize and deteriorate in storage. Old gasoline will cause hard starting, and it leaves gum deposits that clog the fuel system. If the gasoline in your mower deteriorates during storage, you may need to have the carburetor and other fuel system components serviced or replaced.

The length of time that gasoline can be left in your fuel tank and carburetor without causing functional problems will vary with such factors as gasoline blend, your storage temperatures, and whether the fuel tank is partially or completely filled. The air in a partially filled fuel tank promotes fuel deterioration. Very warm storage temperatures accelerate fuel deterioration. Fuel deterioration problems may occur within a few months, or even less if the gasoline was not fresh when you filled the fuel tank.

The *Distributor's Limited Warranty* (page 72) does not cover fuel system damage or engine performance problems resulting from neglected storage preparation.

You can extend fuel storage life by adding a gasoline stabilizer that is formulated for that purpose, or you can avoid fuel deterioration problems by draining all the fuel from the fuel tank and carburetor.

Adding a Fuel Stabilizer

When adding a fuel stabilizer (page 74), fill the fuel tank with fresh gasoline. If only partially filled, air in the tank will promote fuel deterioration during storage. If you keep a container of gasoline for refueling, be sure that it contains only fresh gasoline.

1. Add fuel stabilizer following the manufacturer's instructions.
2. After adding a fuel stabilizer, run the engine outdoors for 10 minutes to be sure that the treated gasoline has replaced the untreated gasoline in the carburetor.
3. Stop the engine and turn the fuel valve to the OFF position (page 22).

STORAGE

Draining the Carburetor and Fuel Tank

1. Make sure the fuel valve is OFF (page 22).
2. Remove the carburetor drain bolt with a 10 mm wrench, and drain the fuel from the carburetor bowl into an approved container.

⚠ WARNING

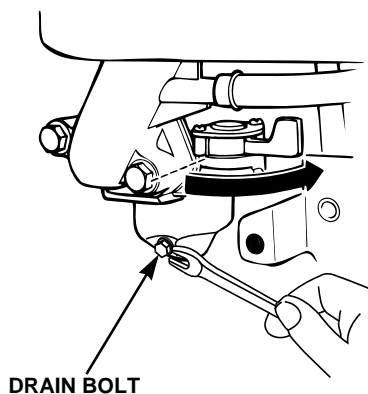
Gasoline is highly flammable and explosive.

You can be burned or seriously injured when handling fuel.

- Stop engine and keep heat, sparks, and flame away.
- Handle fuel only outdoors.
- Wipe up spills immediately.

If you only need to drain the carburetor, skip to step 4.

3. To drain the fuel tank, turn the fuel valve ON (page 8). This will allow fuel in the fuel tank to drain out through the carburetor bowl.
4. After the fuel is completely drained, reinstall the drain bolt.



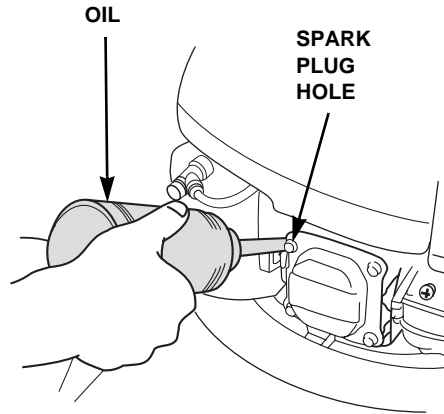
Engine Oil

Change the engine oil (page 36).

Engine Cylinder

Remove the spark plug (page 38). Pour a tablespoon (5 ~ 10 cc) of clean engine oil into the cylinder. Pull the starter rope several times to distribute the oil in the cylinder. Reinstall the spark plug.

Pull the starter rope slowly until resistance is felt then return the starter grip gently. This will close the valves so moisture can not enter the engine cylinder.



STORAGE

PLACING IN STORAGE

If your mower will be stored with gasoline in the fuel tank and carburetor, it is important to reduce the hazard of gasoline vapor ignition. Select a well-ventilated storage area away from any appliance that operates with a flame, such as a furnace, water heater, or clothes dryer. Also avoid any area with a spark-producing electric motor, or where power tools are operated.

If possible, avoid storage areas with high humidity, because that promotes rust and corrosion.

Unless all fuel has been drained from the fuel tank, leave the throttle lever in the STOP position and the fuel valve in the OFF position to reduce the possibility of fuel leakage.

Place the mower with its wheels on a level surface. Tilting can cause fuel or oil leakage.

With the engine and exhaust system cool, cover the mower to keep out dust. A hot engine and exhaust system can ignite or melt some materials. Do not use sheet plastic as a dust cover. A nonporous cover will trap moisture around the mower, promoting rust and corrosion.

REMOVING FROM STORAGE

Check your mower as described in *BEFORE OPERATION* (page 13).

If the fuel was drained during storage preparation, fill the tank with fresh gasoline. If you keep a container of gasoline for refueling, be sure that it contains only fresh gasoline. Gasoline oxidizes and deteriorates over time, causing hard starting.

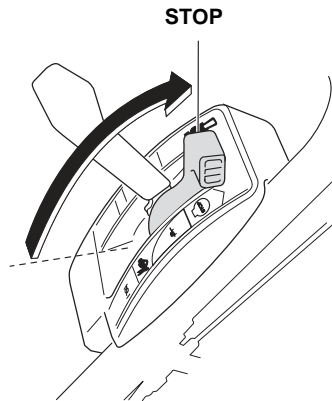
If the cylinder was coated with oil during storage preparation, the engine will smoke briefly at startup. This is normal.

TRANSPORTING

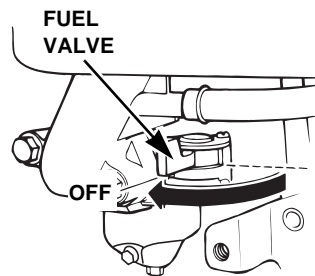
BEFORE LOADING

If the engine has been running, allow it to cool for at least 15 minutes before loading the mower on the transport vehicle. A hot engine and exhaust system can burn you and can ignite some materials.

1. If installed, remove the grass bag.
2. Put the throttle in the STOP position.



3. Turn the fuel valve to the OFF position. This will prevent carburetor flooding and reduce the possibility of fuel leakage.



LOADING AND UNLOADING

If a suitable loading ramp is not available, two people should lift the mower on and off the transport vehicle while holding the mower level.

Position the mower so all four wheels are on the bed of the transport vehicle. Tie the mower down with rope or straps, and block the wheels. Keep the tie-down rope or straps away from the controls, adjustment levers, cables, and the carburetor.

TAKING CARE OF UNEXPECTED PROBLEMS

ENGINE WILL NOT START

Possible Cause	Correction
Fuel valve OFF.	Turn the fuel valve ON. (page 10)
Throttle lever in the wrong position.	Move the throttle lever to the CHOKE position, unless the engine is warm. (page 17)
Out of fuel.	Refuel. (page 45)
Bad fuel; mower stored without treating or draining gasoline, or refueled with bad gasoline.	Drain the fuel tank and carburetor. (page 50) Refuel with fresh gasoline. (page 45)
Spark plug faulty, fouled, or improperly gapped.	Gap or replace the spark plug. (page 38)
Spark plug wet with fuel (flooded engine).	Dry and reinstall the spark plug. Start the engine with the throttle in the FAST position.
Fuel filter clogged, carburetor malfunction, ignition malfunction, valves stuck, etc.	Take the mower to an authorized Honda service dealer for repair.

LOSS OF POWER

Possible Cause	Correction
Throttle not set to FAST.	Move the throttle to the FAST position. (page 19)
Grass too tall or wet.	Raise the cutting height (page 12), cut a narrower swath (page 25), use a slower ground speed (page 21), cut more frequently when the grass is dry.
Mower deck is clogged.	Clean out the mower deck. (page 26)
Air filter clogged.	Clean or replace the air filter. (page 37)
Bad fuel; mower stored without treating or draining gasoline, or refueled with bad gasoline.	Drain the fuel tank and carburetor. (page 50) Refuel with fresh gasoline. (page 45)
Fuel filter clogged, carburetor malfunction, ignition malfunction, valves stuck, etc.	Take the mower to an authorized Honda service dealer for repair.

TAKING CARE OF UNEXPECTED PROBLEMS

VIBRATION PROBLEMS

Possible Cause	Correction
Grass and debris lodged under mower deck.	Clean out the mower deck. (page 26)
Blades loose, bent, misaligned, damaged, or unbalanced by improper sharpening.	Tighten loose blades bolts. (page 33) Replace damaged blades. (page 32)
Mechanical damage, such as a bent crankshaft.	Take the mower to an authorized Honda service dealer for repair.

MOWING AND BAGGING PROBLEMS

Possible Cause	Correction
Engine speed is too slow to cut well.	Move the throttle lever to the FAST position. (page 19)
Mower is moving too fast for lawn conditions.	Shift to slow speed. (page 21)
Adjustment levers set at different positions.	Set all the levers at the same cutting height position. (page 16)
Grass bag overfilled or clogged.	Empty the grass bag. Wash the grass bag if it is clogged with dirt. (page 34)
Mower deck clogged.	Clean out the mower deck. (page 26)
Blades dull, worn, or damaged.	Sharpen or replace the blades if necessary. (page 32)
Wrong blades installed.	Install correct blades. (page 32)


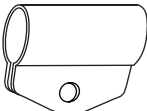
SET-UP

Tools Required

12 mm wrench

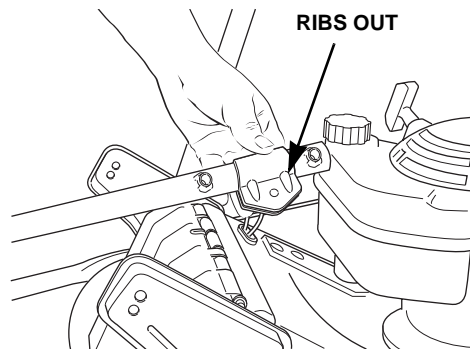
Loose Parts

Use the following included loose parts to set up the lawn mower.

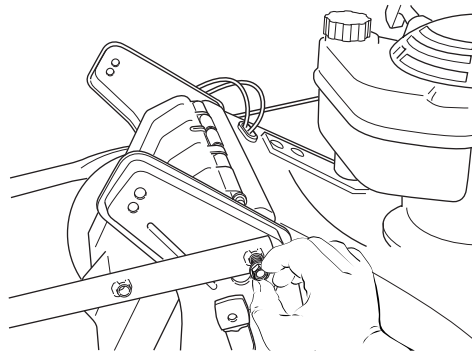
Part	Quantity
Handle support plate 	2
Handle support hanger 	2
Flange bolt (8 x 40 mm)	4
Self-locking nut (8 mm)	6

Handlebar Setup

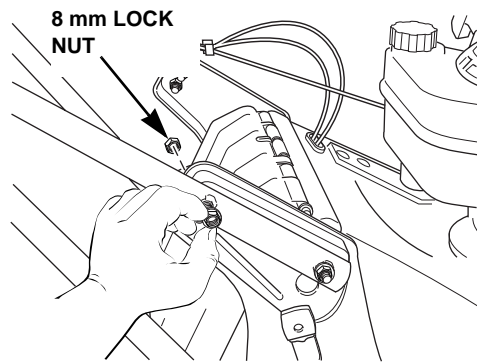
1. Slip a handle support hanger over each end of the handle. Make sure the ribs are facing out, as shown.



2. Insert the 8 x 40 mm lower handle bolts and finger tighten them.



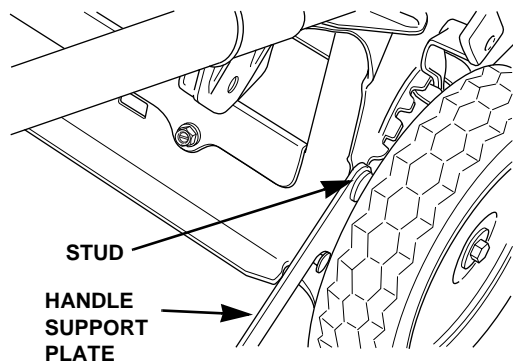
3. Insert the 8 x 40 mm upper handle bolts into one of the holes at the desired handle height. Install an 8 mm self-locking nut on the inside of each handle.



4. Tighten both the upper and lower handle bolts.

Lock Nut Torque: 15 ft-lb (21 N•m)

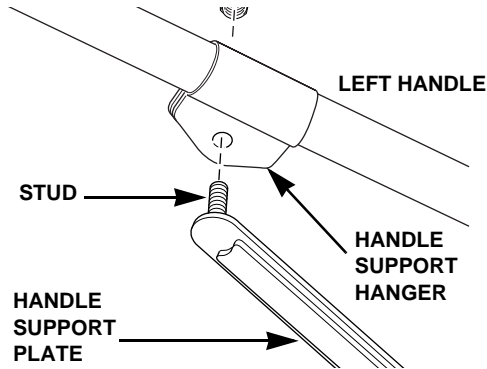
5. Be sure the rear height adjusters are in the lowest position. Insert the stud on one end of the handle support plate into the lower hole in the housing.



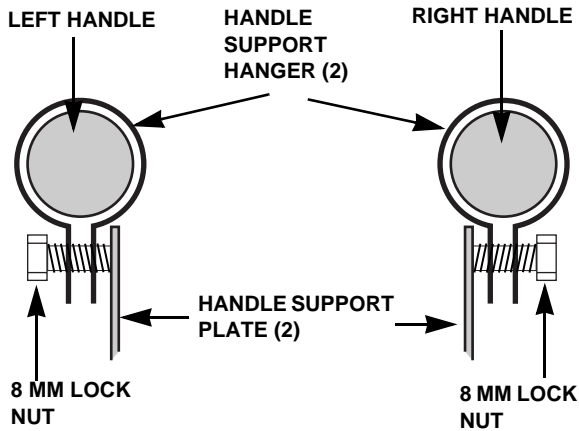
6. Install an 8 mm self-locking nut on the stud on the inside of the mower deck. Do not fully tighten the nut at this point.

SET-UP

- From the grass bag side of the handle, insert the stud on the end of the handle support plate through the handle support hanger. Make sure the stud goes through both holes in the handle support hanger.



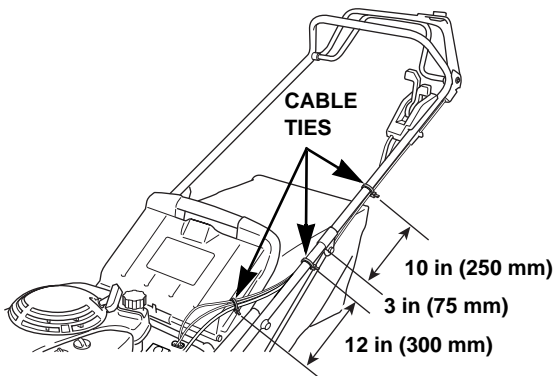
- Install an 8 mm self-locking nut on the stud.
- Tighten the locknut on the stud at each end of the handle support plate.



- Repeat Steps 5 through 9 to install the handle support on the other side of the lawn mower.

Lock Nut Torque:
15 ft-lb (21 N•m)

- Position cable ties at the locations shown.



Engine Oil

The mower is shipped **WITHOUT OIL** in the engine.

A bottle of oil is included in the box with your mower. Add the entire contents of the oil bottle into the oil filler opening.

All Honda engines are run at the factory prior to packaging. Most of the oil is removed prior to shipment; however, some oil remains in the engine. The amount of oil left in the engine varies.

If not using the supplied oil, add enough SAE 10W-30 API service category SJ or later oil to bring the oil level between the upper and lower limit marks on the dipstick as shown.

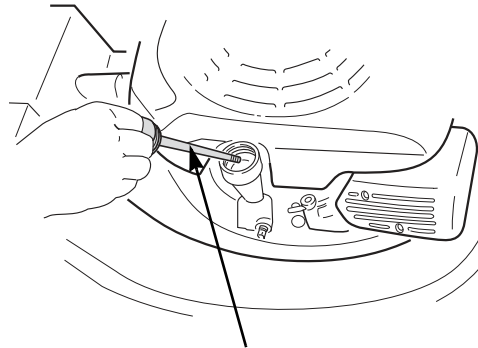
Do not overfill engine with oil.

If the engine is overfilled, the excess oil may get transferred to the air cleaner housing and air filter.

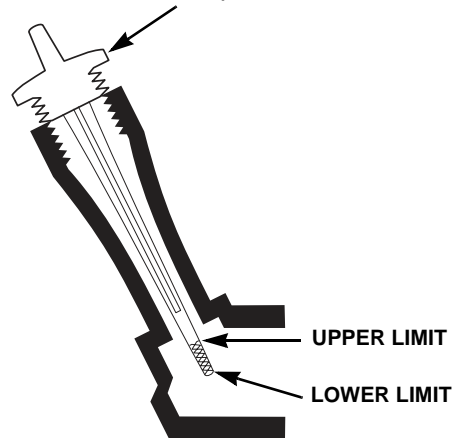
After filling the engine with oil, remove the hang tag near the recoil starter grip that says "The engine has no oil. A container of oil is in the shipping box."

Fuel

Refer to page 45.



FILLER CAP/DIPSTICK
(do not screw in the dipstick when checking oil level)



SET-UP

Before Operation

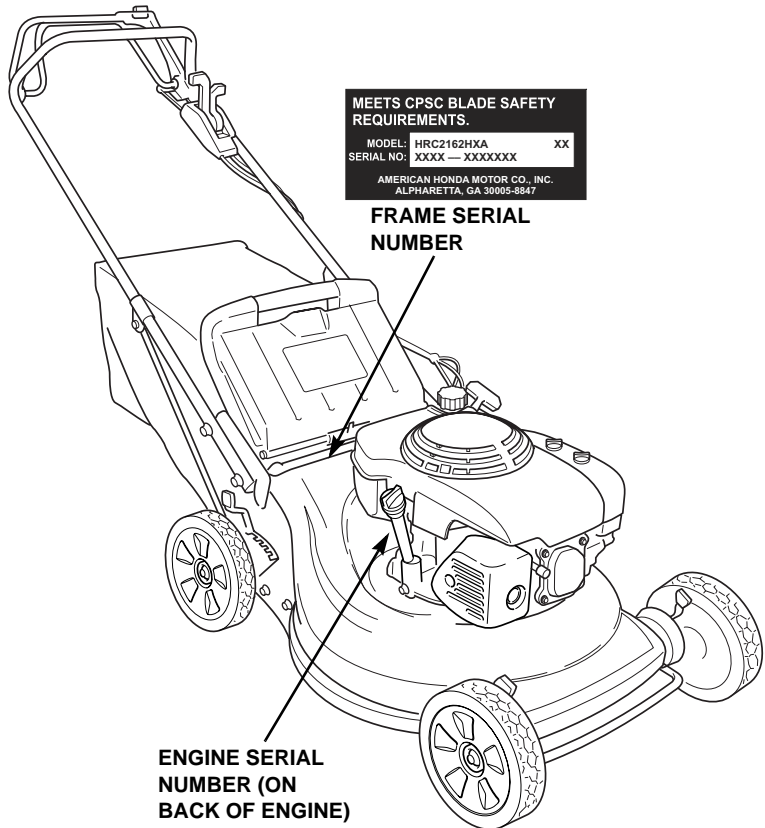
Before using the lawn mower, all mower operator's must read the following chapters and sections:

- **LAWN MOWER SAFETY** (page 4)
- **CONTROLS & FEATURES** (page 8)
- **BEFORE OPERATION** (page 13)
- **OPERATION** (page 17)
- **MAINTENANCE SCHEDULE** (page 30)

TECHNICAL & CONSUMER INFORMATION

TECHNICAL INFORMATION

Serial Number Locations



There are two serial numbers, one for the engine and one for the mower frame. Record the engine and frame serial numbers and date of purchase in the spaces below. You will need these serial numbers when ordering parts and when making technical or warranty inquiries (page 71).

Engine serial number: _____

Frame serial number: _____

Date of purchase: _____

Technical & Consumer Information

Carburetor Modification for High Altitude Operation

At high altitude, the standard carburetor air-fuel mixture will be too rich. Performance will decrease, and fuel consumption will increase. A very rich mixture will also foul the spark plug and cause hard starting. Operation at an altitude that differs from that at which this engine was certified, for extended periods of time, may increase emissions.

High altitude performance can be improved by specific modifications to the carburetor. If you always operate your lawn mower at altitudes above 5,000 feet (1,500 meters), have your servicing dealer perform this carburetor modification. This engine when operated at high altitude with the carburetor modifications for high altitude use will meet each emission standard throughout its useful life.

Even with carburetor modification, engine horsepower will decrease about 3.5% for each 1,000-foot (300-meter) increase in altitude. The effect of altitude on horsepower will be greater than this if no carburetor modification is made.

When the carburetor has been modified for high altitude operation, the air-fuel mixture will be too lean for low altitude use. Operation at altitudes below 5,000 feet (1,500 meters) with a modified carburetor may cause the engine to overheat and result in serious engine damage. For use at low altitudes, have your servicing dealer return the carburetor to original factory specifications.

Oxygenated Fuels

Some conventional gasolines are being blended with alcohol or an ether compound. These gasolines are collectively referred to as oxygenated fuels. To meet clean air standards, some areas of the United States and Canada use oxygenated fuels to help reduce emissions.

If you use an oxygenated fuel, be sure it is unleaded and meets the minimum octane rating requirement.

Before using an oxygenated fuel, try to confirm the fuel's contents. Some states/provinces require this information to be posted on the pump.

The following are the EPA-approved percentages of oxygenates:

ETHANOL — (ethyl or grain alcohol) 10% by volume

You may use gasoline containing up to 10% ethanol by volume. Gasoline containing ethanol may be marketed under the name "Gasohol".

MTBE — (Methyl Tertiary Butyl Ether) 15% by volume

You may use gasoline containing up to 15% MTBE by volume.

METHANOL – (methyl or wood alcohol) 5% by volume

You may use gasoline containing up to 5% methanol by volume, as long as it also contains cosolvents and corrosion inhibitors to protect the fuel system. Gasoline containing more than 5% methanol by volume may cause starting and/or performance problems. It may also damage metal, rubber, and plastic parts of your fuel system.

Fuel system damage or performance problems resulting from the use of an oxygenated fuel containing more than the percentages of oxygenates mentioned above are not covered under warranty.

Technical & Consumer Information

EMISSION CONTROL SYSTEM

Source of Emissions

The combustion process produces carbon monoxide, oxides of nitrogen, and hydrocarbons. Control of hydrocarbons and oxides of nitrogen is very important because, under certain conditions, they react to form photochemical smog when subjected to sunlight. Carbon monoxide does not react in the same way, but it is toxic.

Honda uses lean carburetor settings and other systems to reduce the emissions of carbon monoxide, oxides of nitrogen, and hydrocarbons.

The U.S., California Clean Air Act and Environment Canada

EPA, California and Canadian regulations require all manufacturers to furnish written instruction describing the operation and maintenance of emission control systems.

The following instructions and procedures must be followed in order to keep the Honda engine emissions within the emission standards.

Tampering and Altering

Tampering with or altering the emission control system may increase emissions beyond the legal limit. Some acts that constitute tampering:

- Removal or alteration of any part of intake, fuel, or exhaust system.
- Altering or defeating the governor linkage or speed-adjusting mechanism to cause the engine to operate outside its design parameters.

Problems That May Affect Emissions

If you are aware of any of the following symptoms, have your engine inspected and repaired by your authorized Honda servicing dealer.

- Hard starting or stalling after starting.
- Rough idle.
- Misfiring or backfiring under load.
- Afterburning (backfiring).
- Black exhaust smoke or high fuel consumption.

Replacement Parts

The emission control systems on your new Honda engine were designed, built, and certified to conform with EPA, California and Canadian emission regulations. We recommend the use of genuine Honda parts whenever you have maintenance done. These original-design replacement parts are manufactured to the same standards as the original parts, so you can be confident of their performance. The use of replacement parts that are not of the original design and quality may impair the effectiveness of your emission control system.

A manufacturer of an aftermarket part assumes the responsibility the part will not adversely affect emission performance. The manufacturer or rebuilder of the part must certify that use of the part will not result in a failure of the engine to comply with emission regulations.

Maintenance

Follow the *Maintenance Schedule* on page 30. Remember that this schedule is based on the assumption that your machine will be used for its designed purpose. Sustained high-load operation will require more frequent service.

Technical & Consumer Information

Air Index

An Air Index Information hang tag/label is applied to engines certified to an emission durability time period in accordance with the requirements of the California Air Resources Board.

The bar graph is intended to provide you, our customer, the ability to compare the emissions performance of available engines. The lower the Air Index, the less pollution.

The durability description is intended to provide you with information relating the engine's emission durability period. The descriptive term indicates the useful life period for the engine's emission control system. See your *Emission Control System Warranty* (page 75) for additional information.

Descriptive Term	Applicable to Emissions Durability Period
Moderate	50 hours (0–65 cc) 125 hours (greater than 65 cc)
Intermediate	125 hours (0–65 cc) 250 hours (greater than 65 cc)
Extended	300 hours (0–65 cc) 500 hours (greater than 65 cc)

The Air Index Information hang tag/label must remain on the lawn mower until it is sold. Remove the hang tag before operating the lawn mower.

Technical Consumer Information

SPECIFICATIONS

Mower Model

HRC216HXA	Manual starting, self-propelled, hydrostatic transmission, blade-brake clutch, 5.5 hp
-----------	---

Dimensions, Weights and Capacities

Overall Length	65.4 in (1660 mm)	
Overall Width	23 in (585 mm)	
Maximum Height [Cutting height set at 1 in (25 mm) and handle high]	39.8 in (1010 mm)	
Dry Weight	122.4 lb (55.5 kg)	
Wheelbase [Cutting height adjusters set to 1 in (25 mm)]	25.6 in (650 mm)	
Cutting Width	21.3 in (541 mm)	
Approximate Cutting Height (8 adjustable positions)	3/4 in (19 mm) 1 in (25 mm) 1-1/2 in (39 mm) 2 in (51 mm)	2-1/2 in (63 mm) 3 in (76 mm) 3-1/2 in (89 mm) 4 in (101 mm)
Fuel Tank Capacity	0.53 US gal (2.0 ℓ)	
Engine Oil Capacity	0.69 US qt (0.65 ℓ)	
Transmission Fluid Capacity	11.8 fl oz (0.35 ℓ)	
Grass Bag Capacity	23.2 US gal (2.5 bushels; 3.1 cu ft; 87.8 ℓ)	

Technical & Consumer Information

Engine Design and Performance

Engine Model	GXV160A
Engine Type	4-stroke, overhead-valve, single-cylinder, forced air-cooled
Displacement	9.9 cu in (163 cc)
Bore and Stroke	2.7 x 1.8 in (68 x 45 mm)
Compression Ratio	8:1
Ignition System	Transistorized magneto
Maximum Horsepower*	5.5 bhp (4.0 kW) at 3,600 rpm
Maximum Torque	8.0 ft-lb (10.8 N•m) at 2,500 rpm

* Horsepower rating (shown as maximum power output at 3,600 rpm) is in accordance with SAE J1995. Actual engine power will be lower. Engine power depends on accessories, operating speeds, operating conditions, and other variables.

Transmission Design and Performance

Transmission Type	Hydrostatic, fluid-drive, infinitely variable speeds
Mower Ground Speed (engine at 3,100 rpm)	Fast: 3.7 ~ 4.2 mph (1.7 ~ 1.9 m/s) Slow: 1.8 ~ 2.3 mph (0.8 ~ 1.0 m/s)

Technical Consumer Information

Maintenance

Fuel	Unleaded gasoline with a pump octane rating of 86 or higher.	page 46
Engine Oil	SAE 10W-30, API SJ or later	page 35
Transmission Oil	Honda hydrostatic fluid	Shop manual
Spark Plug Type	Regular: NGK – BP5ES DENSO – W16EP-U CHAMPION – N12Y Resistor: NGK – BPR5ES DENSO – W16EPR-U CHAMPION – RN12Y	page 38
Maximum Governed Speed	3,100 ± 50 rpm	Shop manual
Blade Control Cable	Adjust for 3/4 ~ 1 in (20 ~ 25 mm) free play at blade control lever.	page 41
Drive Clutch Cable	Adjust for transmission arm alignment.	page 42
Throttle Cable	Adjust for proper choke operation and maximum governed speed.	page 44
Blade Bolt Torque	36 ~ 43 ft-lb (49 ~ 59 N•m, 5.0 ~ 6.0 kg-m)	page 33

Tune-up

Spark Plug Gap	0.028 ~ 0.031 in (0.7 ~ 0.8 mm)	page 39
Idle Speed (blade control disengaged)	1,700 ± 150 rpm	Shop manual
Valve Clearance (cold)	Intake: 0.15 ± 0.02 mm Exhaust: 0.20 ± 0.02 mm	Shop manual
Other Specifications	No other adjustments needed.	

Technical & Consumer Information

CONSUMER INFORMATION

Replacement Parts, Optional Equipment, and Service Items

Contact an authorized Honda servicing dealer to purchase any of these (or other) genuine original Honda items.

Replacement Parts

Item	Part Number	Notes
Spark plug	98079-56846	NGK (brand) BPR6ES
Air cleaner	17218-ZE7-W02	Outer foam element
Air cleaner	17211-ZE7-W03	Air cleaner element complete
Lower blade	72511-VK6-000	A torque wrench is required to install blades.
Upper blade	72531-VK6-000	
Grass bag	81320-VK6-000	Fabric bag only, no frame
Front wheel/tire	44700-VK6-000	
Rear wheel/tire	42700-VK6-000	
Tire front/rear	42751-VK6-000	

Optional Equipment

Item	Part Number	Notes
Spark arrester kit	06180-ZE6-820	

Service Items

Item	Part Number	Notes
SAE 10W-30 engine oil	08207-10W30	
Silicone spray	08209-0001	Lubricates control cable cores
Fuel stabilizer	08732-0001	For long term storage
Matte black touch-up paint (aerosol can)	08707-NH105	For handlebar only
Vintage gray metallic paint (aerosol can)	08708-NH190M	For mower deck

Technical Consumer Information

Dealer Locator Information

To find an Authorized Honda Servicing Dealer anywhere in the United States:

Call (800) 426-7701

or visit our website:

www.hondapowerequipment.com/dealer

Customer Service Information

Honda Power Equipment dealership personnel are trained professionals. They should be able to answer any question you may have. If you encounter a problem that your dealer does not solve to your satisfaction, please discuss it with the dealership's management. The Service Manager or General Manager can help. Almost all problems are solved in this way.

If you are dissatisfied with the decision made by the dealership's management, contact the Honda Power Equipment Customer Relations Office. You can write:

American Honda Motor Co., Inc.

Power Equipment Division

Customer Relations Office

4900 Marconi Drive

Alpharetta, GA 30005-8847

Or telephone: (770) 497-6400 M-F, 8:30 a.m. - 8:00 p.m. ET

- When you write or call, please give us this information:
- Model and serial numbers (page 61)
- Name of the dealer who sold the lawn mower to you
- Name and address of the dealer who services your lawn mower
- Date of purchase
- Your name, address, and telephone number
- A detailed description of the problem

Honda Publications

These publications will give you additional information for maintaining and repairing your lawn mower.

Shop Manual

This manual covers complete maintenance and overhaul procedures. It is intended to be used by a skilled technician. Available through your Honda dealer or through Helm Inc. at (888) 292-5395 or visit www.hondapowerequipment.com/own.htm

Parts Catalog

This manual provides complete, illustrated parts lists, and is available through your Honda dealer.

Technical & Consumer Information

Distributor's Limited Warranty

This warranty is limited to the following Honda Power Equipment products when distributed by American Honda Motor Co., Inc., Power Equipment Division, 4900 Marconi Drive, Alpharetta, Georgia 30005-8847.

PRODUCTS COVERED BY THIS WARRANTY	LENGTH OF WARRANTY* (from date of original retail purchase)	
	Noncommercial/ Nonrental	Commercial/Rental
Hand-Held Products (limited lifetime warranty on the HHT drive cable)	24 months	12 months/3 months
Masters, HRX, Harmony and Harmony II	24 months	3 months
HRX and Harmony Xenoy® Mower Decks	60 months	3 months
HRC Series 21-Inch Walk Behind Mowers	24 months	24 months engine, 12 months other components
FG110 Mini-Tiller	24 months	3 months
HS520 Snowthrower	24 months	24 months engine, 12 months other components
GC160, GCV160, GX160 GC190, GCV190, and GX190 Engines	24 months	24 months
WMP20X Centrifugal Pump	24 months	3 months

* Length of Warranty: Batteries supplied with applicable products as standard, original equipment are covered by this warranty for a period of 12 months (noncommercial use) or 3 months (commercial/rental use) from the date of original retail product purchase.

To Qualify For This Warranty:

The product must be purchased in the United States, Puerto Rico, or the U.S. Virgin Islands from American Honda or a dealer authorized by American Honda to sell those products. This warranty applies to first retail purchaser and each subsequent owner during the applicable warranty time period.

What American Honda Will Repair Or Replace Under Warranty:

American Honda will repair or replace, at its option, any part that is proven to be defective in material or workmanship under normal use during the applicable warranty time period. Warranty repairs and replacements will be made without charge for parts or labor. Anything replaced under warranty becomes the property of American Honda Motor Company, Inc. All parts replaced under warranty will be considered as part of the original product and any warranty on those parts will expire coincident with the original product warranty.

Technical Consumer Information

To Obtain Warranty Service:

You must take the Honda Power Equipment product, accessory, replacement part, apparel or the power equipment on which the accessory or replacement part is installed, and proof of purchase, at your expense, to any Honda Power Equipment dealer in the United States, Puerto Rico, or the U.S. Virgin Islands who is authorized to sell that product, during the dealer's normal business hours. If you are unable to obtain warranty service, or are dissatisfied with the warranty service you receive, take the following steps: First, contact the owner of the dealership involved; normally this will resolve the problem. However, if you should require further assistance, write or call the Power Equipment Customer Relations Department of American Honda Motor Co., Inc.

American Honda Motor Co., Inc.
Power Equipment Customer Relations Dept.
4900 Marconi Drive
Alpharetta, GA 30005-8847 Telephone: (770) 497-6400

Exclusions:

This warranty does not extend to parts affected or damaged by accident and/or collision, normal wear, fuel contamination or deterioration, use in an application for which the product was not designed or any other misuse, neglect, incorporation or use of unsuitable attachments or parts, unauthorized alteration, or any causes other than defects in material or workmanship of the product.

The auger and paddle assemblies of snowthrowers, tiller tines of roto-tillers, mower blades and mower deck housings, are specifically not warranted against impact damage, including but not limited to, abrasive damage.

Disclaimer of Consequential Damage and Limitation of Implied Warranties:

American Honda disclaims any responsibility for loss of time or use of the product, transportation, commercial loss, or any other incidental or consequential damage. Any implied warranties are limited to the duration of this written limited warranty. Some states do not allow limitations on how long an implied warranty lasts and/or do not allow the exclusion or limitation of incidental or consequential damages, so the above exclusions and limitations may not apply to you.

This warranty gives you specific legal rights, and you may also have other rights which vary from state to state.

Technical & Consumer Information

Accessories, Replacement Parts, and Apparel Warranty

This warranty is limited to Honda Power Equipment parts, accessories and apparel when distributed by American Honda Motor Co., Inc., 4900 Marconi Drive, Alpharetta, Georgia 30005-8847

PRODUCTS COVERED BY THIS WARRANTY	LENGTH OF WARRANTY (from date of original retail purchase)	
	Noncommercial/Nonrental	Commercial/Rental
Accessories	12 months	3 months
Replacement Parts	6 months	3 months
Apparel	6 months	3 months

To Qualify for this Warranty:

1. The accessories, replacement parts, or apparel must be purchased from American Honda, or a dealer, distributor or distributor's dealer authorized by American Honda to sell those products in the United States, Puerto Rico, and the U.S. Virgin Islands.
2. You must be the first retail purchaser. This warranty is not transferable to subsequent owners.

What American Honda will Repair or Replace Under Warranty:

American Honda will repair or replace, at its option, any power equipment accessories, replacement parts, or apparel that are proven to be defective in material or workmanship under normal use during the applicable warranty time period. Anything replaced under warranty becomes the property of American Honda Motor Company, Inc. All parts replaced under warranty will be considered as part of the original product and any warranty on those parts will expire coincident with the original product warranty.

Accessories and replacement parts, installed by a dealer who is authorized by American Honda to sell them, will be repaired or replaced under warranty without charge for parts or labor. If installed by anyone else, accessories and replacement parts will be repaired or replaced under warranty without charge for parts, but any labor charges will be the responsibility of the purchaser. Apparel will be repaired or replaced under warranty without any charge.

To Obtain Warranty Service:

You must take the Honda Power Equipment accessory, replacement part, apparel or the power equipment on which the accessory or replacement part is installed, and proof of purchase, at your expense, to any Honda Power Equipment dealer in the United States, Puerto Rico, or the U.S. Virgin Islands who is authorized to service that product, during the dealer's normal business hours. If you are unable to obtain warranty service, or are dissatisfied with the warranty service you receive, take the following steps: First, contact the owner of the dealership involved; normally this will resolve the problem. However, if you should require further assistance, write or call the Power Equipment Customer Relations Department of American Honda Motor Co., Inc. Refer to page 71 for contact information.

Exclusions:

This warranty does not extend to accessories, parts, or apparel affected or damaged by accident and/or collision, normal wear, use in an application for which the product was not designed, or any other misuse, neglect, incorporation or use of unsuitable attachments or parts, unauthorized alteration, improper installation, or any causes other than defects in material or workmanship of the product.

Mower blades and mower deck housings, are specifically not warranted against impact damage, including but not limited to, abrasive damage.

Disclaimer of Consequential Damage and Limitation of Implied Warranties:

American Honda disclaims any responsibility for loss of time or use of the product, or the power equipment on which the product is installed, transportation, commercial loss, or any other incidental or consequential damage. Any implied warranties are limited to the duration of this written warranty. Some states do not allow limitations on how long an implied warranty lasts and/or do not allow the exclusion or limitation of incidental or consequential damages, so the above exclusions and limitations may not apply to you. This warranty gives you specific legal rights, and you may also have other rights which vary from state to state.

Emission Control System Warranty

Your new Honda Power Equipment engine complies with the U.S. EPA, Environment Canada and State of California emission regulations. American Honda Motor Co., Inc. provides the emission warranty coverage for engines in the United States, and its territories. Honda Canada Inc. provides the emission warranty for engines in the 13 provinces and territories of Canada. In the remainder of this Emission Control System Warranty, American Honda Motor Company Inc. and Honda Canada Inc. will be referred to as Honda.

Your Warranty Rights And Obligations:

California

The California Air Resources Board and Honda are pleased to explain the emission control system warranty on your Honda Power Equipment engine. In California, new utility and lawn and garden equipment engines must be designed, built and equipped to meet the State's stringent anti-smog standards.

Other States, U.S. territories and Canada

In other areas of the United States and in Canada, your engine must be designed, built, and equipped to meet the U.S. EPA and Environment Canada emission standards for spark-ignited engines at or below 19 kilowatts.

All of the United States and Canada

Honda must warrant the emission control system on your power equipment engine for the period of time listed below provided there has been no abuse, neglect or improper maintenance of your power equipment engine. Where a warrantable condition exists, Honda will repair your power equipment engine at no cost to you including diagnosis, parts and labor.

Your emission control system may include such parts as the carburetor or fuel injection system, the ignition system, and catalytic converter. Also included may be hoses, connectors and other emission-related assemblies.

Manufacturer's Warranty Coverage:

The 1995 and later power equipment engines are warranted for two years. If any emission-related part on your engine is defective, the part will be repaired or replaced by Honda.

Owner's Warranty Responsibility:

As the power equipment engine owner, you are responsible for the performance of the required maintenance listed in your owner's manual. Honda recommends that you retain all receipts covering maintenance on your power equipment engine, but Honda cannot deny warranty coverage solely for the lack of receipts or for your failure to ensure the performance of all scheduled maintenance.

As the power equipment engine owner, you should however be aware that Honda may deny you warranty coverage if your power equipment engine or a part has failed due to abuse, neglect, improper maintenance, or unapproved modifications.

You are responsible for presenting your power equipment engine to a Honda Power Equipment dealer as soon as a problem exists. The warranty repairs should be completed in a reasonable amount of time, not to exceed 30 days.

If you have any questions regarding your warranty rights and responsibilities, you should write or call the Honda office in your region.

American Honda Motor Co., Inc.
Power Equipment Customer Relations
4900 Marconi Drive
Alpharetta, Georgia 30005-8847
Telephone: (770) 497-6400

or

Honda Canada Inc.
Power Equipment Customer Relations
715 Milner Avenue
Toronto, ON M1B 2K8
Telephone: (888) 946-6329

Technical & Consumer Information

Warranty Coverage:

Honda power equipment engines manufactured after January 1, 1995 and sold in the State of California, and U.S. EPA certified engines manufactured on or after September 1, 1996 and sold in all of the United States, and Canadian certified engines manufactured on or after January 1, 2005 are covered by this warranty for a period of two years from the date of delivery to the original retail purchaser. This warranty is transferable to each subsequent purchaser for the duration of the warranty period.

Warranty repairs will be made without charge for diagnosis, parts or labor. All defective parts replaced under this warranty become the property of Honda. Warranted parts are listed under *Emission Control System Warranty Parts* on page 77. Normal maintenance items, such as spark plugs and filters, that are on the warranted parts list are warranted up to their required replacement interval only.

Honda is also liable for damages to other engine components caused by a failure of any warranted part during the warranty period.

Only Honda approved replacement parts may be used in the performance of any warranty repairs and must be provided without charge to the owner. The use of replacement parts not equivalent to the original parts may impair the effectiveness of your engine emission control system. If such a replacement part is used in the repair or maintenance of your engine, and an authorized Honda dealer determines it is defective or causes a failure of a warranted part, your claim for repair of your engine may be denied. If the part in question is not related to the reason your engine requires repair, your claim will not be denied.

To Obtain Warranty Service:

You must take your Honda Power Equipment engine or the product on which it is installed, along with your warranty registration card or other proof of original purchase date, at your expense, to any Honda Power Equipment dealer who is authorized by Honda to sell and service that Honda product during his normal business hours. Claims for repair or adjustment found to be caused solely by defects in material or workmanship will not be denied because the engine was not properly maintained and used.

If you are unable to obtain warranty service, or are dissatisfied with the warranty service you received, contact the owner of the dealership involved. Normally this should resolve your problem. However, if you require further assistance, write or call the Power Equipment Customer Relations Department of American Honda Motor Co., Inc. Refer to page 71 for contact information.

Exclusions:

Failures other than those resulting from defects in material or workmanship are not covered by this warranty. This warranty does not extend to emission control systems or parts which are affected or damaged by owner abuse, neglect, improper maintenance, misuse, misfueling, improper storage, accident and/or collision, the incorporation of, or any use of, any add-on or modified parts, unsuitable attachments, or the unauthorized alteration of any part.

This warranty does not cover replacement of expendable maintenance items made in connection with required maintenance services after the item's first scheduled replacement as listed in the maintenance section of the product owner's manual, such as: spark plugs and filters.

Disclaimer of Consequential Damage and Limitation of Implied Warranties:

American Honda Motor Co., Inc. and Honda Canada Inc. disclaim any responsibility for incidental or consequential damages such as loss of time or the use of the power equipment, or any commercial loss due to the failure of the equipment; and any implied warranties are limited to the duration of this written warranty. This warranty is applicable only where the California, U.S. EPA or Environment Canada Emission Control System Warranty regulation is in effect.

Technical Consumer Information

Emission Control System Warranty Parts:

SYSTEMS COVERED BY THIS WARRANTY:	PARTS DESCRIPTION:
Fuel Metering	Carburetor assembly, (includes starting enrichment system), Engine temperature sensor, Engine control module, Fuel regulator, Intake manifold
Evaporative	Fuel hoses
Exhaust	Catalyst, Exhaust manifold
Air Induction	Air filter housing, Air filter element*, Crankcase breather tube
Ignition	Flywheel magneto, Ignition pulse generator, Crankshaft position sensor, Power coil, Ignition coil assembly, Ignition control module, Spark plug cap, Spark plug*
Miscellaneous Parts	Tubing, fittings, seals, gaskets, and clamps associated with these listed systems.

* Covered up to the first required replacement only. See the *Maintenance Schedule* on page 30.

INDEX

A

- Accessories warranty 74
- Air Cleaner Service 37
- Air Index 66
- Altitude, High Altitude Operation 62
- Assembly 56

B

- Bag, grass
 - Cleaning/Replacing 34
 - Removal/Installation . . . 15
- Before Operation 13
- Blade
 - Inspection 31
 - Installation 33
 - Part Numbers 70
- Blade Control Lever
 - Cable Adjustment 41
 - Operation 11

C

- Cable Adjustments
 - Blade Control Lever . . . 41
 - Drive Clutch Lever 42
- Capacities 67
- Carburetor
 - Draining 50
 - High Altitude Notes 62
- Choke 17
- Cleaning, Before Storage . . 47
- Clogged Mower Deck 26
- Controls & Features 8
- Cutting Height
 - Adjustment Levers 12
 - Recommendations 25
- Cutting Width 25

D

- Dealer locator information . . 71
- Dimensions 67
- Distributor's warranty 72
- Drive Clutch Lever 20

E

- Emission Control System . . . 64
- Emissions
 - Warranty 75
- Engine problems 54
- Engine starting 17
- Ethanol 63

F

- Filter, air 37
- Fuel
 - Additive 49
 - Capacity 67
 - Oxygenated Fuels 63
 - Recommendations 46
 - Tank Draining 50
- Fuel Valve 10

G

- Grass Bag
 - Cleaning 34
 - Inspection 15
 - Part Numbers 70
 - Removal and Installation 15
 - Replacement 34

H

- Handle support 56
- Handlebar 56

L

- Leaves, Bagging 26
- Loading 53
- Loose parts 56

M

- Maintenance Schedule 30
- Methanol 63
- Mower Deck Clogging 26
- Mowing Patterns 27
- Mowing Tips 25
- MTBE 63
- Mulching Plug 16

N

NOTICE symbol 1

O

Oil

Capacity 67

Change 36

Level Check 35

Part Number 70

Recommended 35

Operation 17

P

Paint, Part Number 70

Parts

Catalog 70

Replacement list 70

Parts, loose 56

Publications 70

R

Required tools 56

S

Safety

A few words 2

Information 4

Label Locations 6

Message Definitions 2

Safe Mowing Practices . 23

Set-Up Instructions 56

Shift Lever

Description 12

Operation 21

Shop manual ordering 70

Slopes 23

Spark Arrester 40

Spark Plug

Part Number 70

Service 38

Specifications

Dimensions 67

Engine 68

Maintenance 69

Tune-up 69

Speed, Ground Speeds 68

Starting the Engine 17

Stopping the Engine 22

Storage

Placing in Storage 52

Preparation 47

Removing from Storage .52

T

Throttle 10

Cable Inspection 44

Operation 19

Throttle Lever 10

Tools required 56

Troubleshooting

Engine 54

Mowing and Bagging ... 55

Vibration 55

Tune-up Specifications 69

U

Unloading 53

V

Valve Clearance 69

W

Warnings 2

Warranty

Accessories & parts 74

Distributor's 72

Emissions 75

Washing

Grass Bag 34

Mower 47

Web address 71

Weights 67

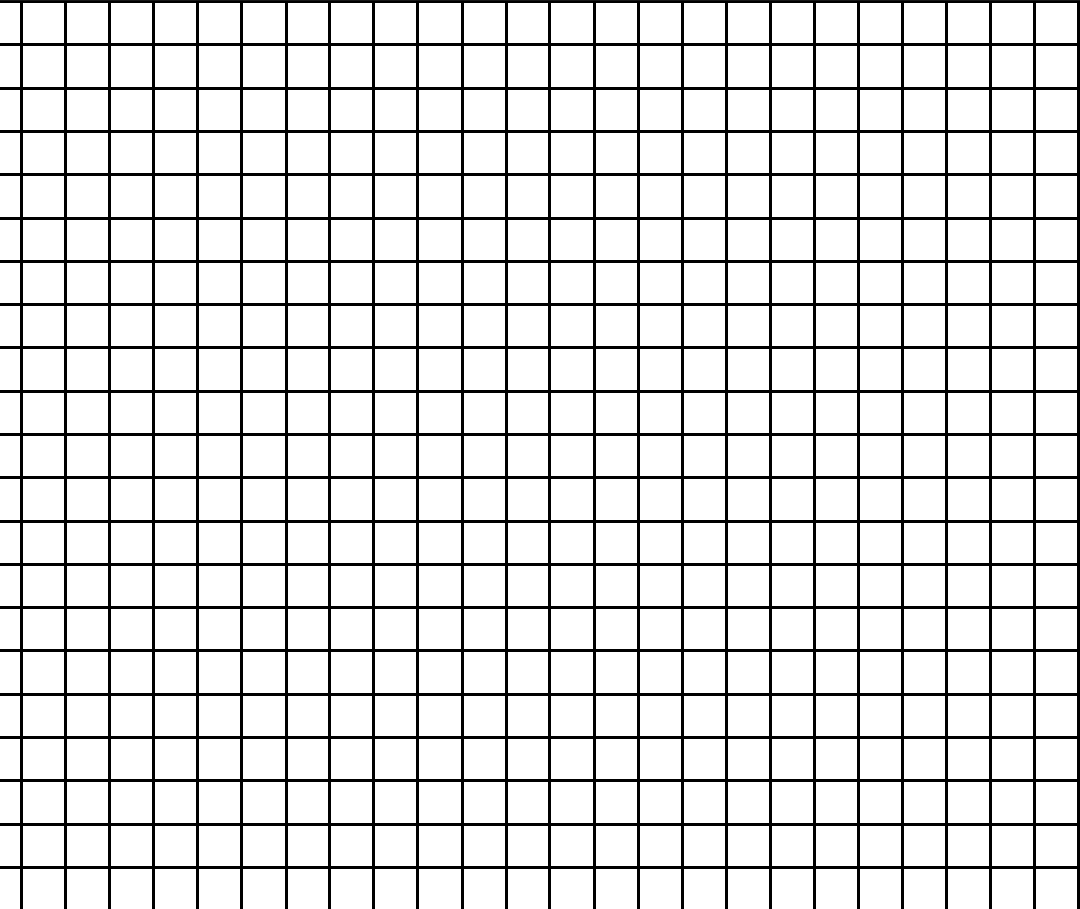
INDEX

QUICK REFERENCE INFORMATION

Fuel	Type	Unleaded gasoline with a pump octane rating of 86 or higher (page 46)
Engine oil	Type	SAE 10W-30, API SJ or later (page 35)
Spark plug	Type	Regular: NGK BP5ES DENSO W16EP-U CHAMPION N12Y Resistor: NGK BPR5ES DENSO W16EPR-U CHAMPION RN12Y
Maintenance	Before each use	Check engine oil (page 35) Check air cleaner (page 37)
	First 20 hours	Change engine oil (page 36)
	Subsequent	Refer to the Maintenance Schedule (page 30)

HONDA

The Power of Dreams



31VK6710
00X31-VK6-7100



Printed on
Recycled Paper



POM53745-A

IPC 3240.2006.08
PRINTED IN U.S.A.