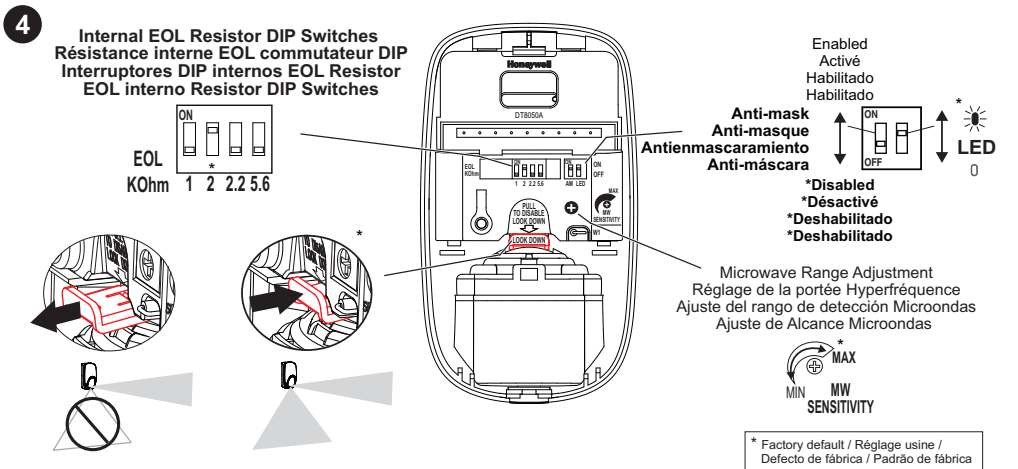
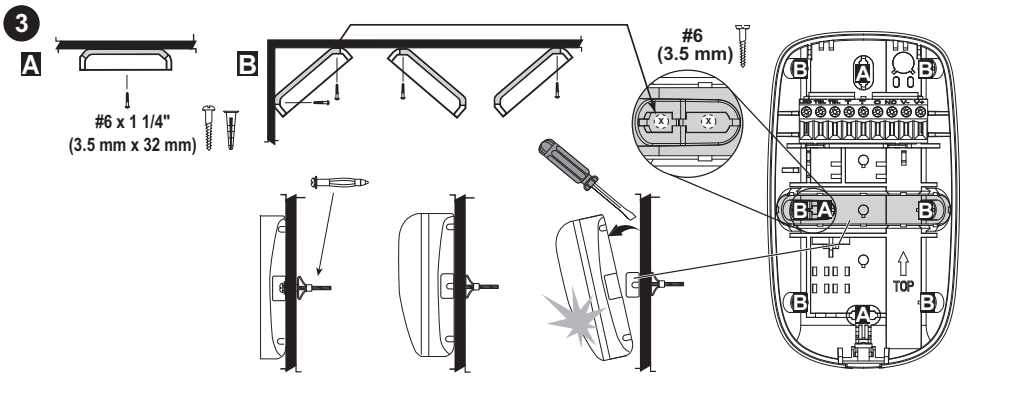
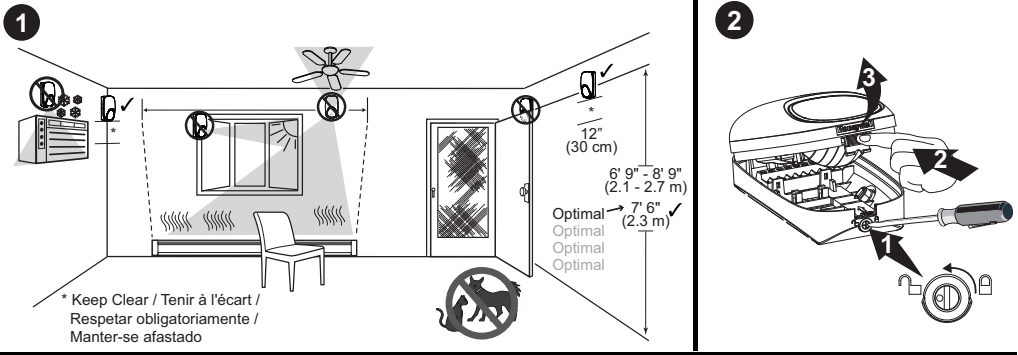


DT8050A DUAL TEC® Motion Sensor with Anti-Mask - Quick Installation Guide

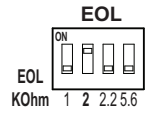
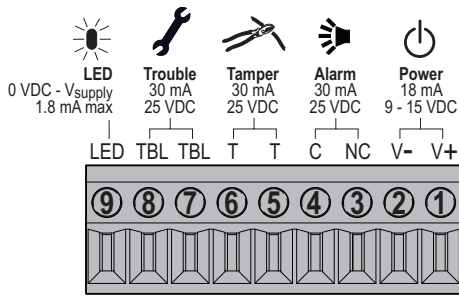
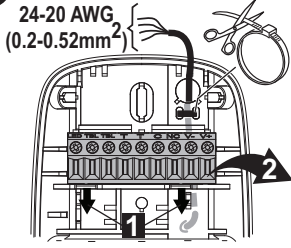
DT8050A DUAL TEC® Motion Sensor with Anti-Mask - Quick Installation Guide (FR)

DT8050A DUAL TEC® Motion Sensor with Anti-Mask - Quick Installation Guide (SP)

DT8050A DUAL TEC® Motion Sensor with Anti-Mask - Quick Installation Guide (PG)



5



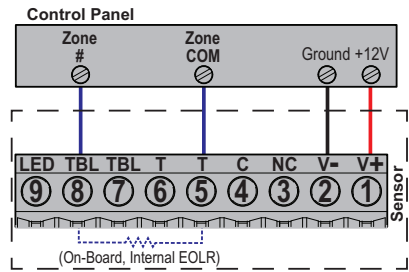
WIRING EXAMPLES / WIRING EXAMPLES / WIRING EXAMPLES / WIRING EXAMPLES

To connect all three outputs (sensor alarm, tamper and trouble/anti-mask) to one zone input: All alarm, tamper and trouble/anti-mask events are "alarms" when the system is armed or "fault" when disarmed.

FR) To connect all three outputs (sensor alarm, tamper and trouble/anti-mask) to one zone input: All alarm, tamper and trouble/anti-mask events are "alarms" when the system is armed or "fault" when disarmed.

ES) To connect all three outputs (sensor alarm, tamper and trouble/anti-mask) to one zone input: All alarm, tamper and trouble/anti-mask events are "alarms" when the system is armed or "fault" when disarmed.

PG) To connect all three outputs (sensor alarm, tamper and trouble/anti-mask) to one zone input: All alarm, tamper and trouble/anti-mask events are "alarms" when the system is armed or "fault" when disarmed.



Note: A masking condition can occur when blocking or reflective material is placed in front of the sensor. Keep 12" (30cm) in front of the sensor clear.

Note: A masking condition can occur when blocking or reflective material is placed in front of the sensor. Keep 12" (30cm) in front of the sensor clear.

Note: A masking condition can occur when blocking or reflective material is placed in front of the sensor. Keep 12" (30cm) in front of the sensor clear.

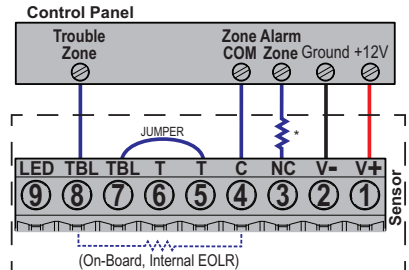
Note: A masking condition can occur when blocking or reflective material is placed in front of the sensor. Keep 12" (30cm) in front of the sensor clear.

To connect the sensor alarm output to one zone input and the tamper and trouble/anti-mask outputs to a second zone input: The alarm relay is wired to one zone; the tamper and trouble/anti-mask are wired to another zone; the control panel differentiates alarm conditions from tamper and trouble/anti-mask conditions.

To connect the sensor alarm output to one zone input and the tamper and trouble/anti-mask outputs to a second zone input: The alarm relay is wired to one zone; the tamper and trouble/anti-mask are wired to another zone; the control panel differentiates alarm conditions from tamper and trouble/anti-mask conditions.

To connect the sensor alarm output to one zone input and the tamper and trouble/anti-mask outputs to a second zone input: The alarm relay is wired to one zone; the tamper and trouble/anti-mask are wired to another zone; the control panel differentiates alarm conditions from tamper and trouble/anti-mask conditions.

To connect the sensor alarm output to one zone input and the tamper and trouble/anti-mask outputs to a second zone input: The alarm relay is wired to one zone; the tamper and trouble/anti-mask are wired to another zone; the control panel differentiates alarm conditions from tamper and trouble/anti-mask conditions.



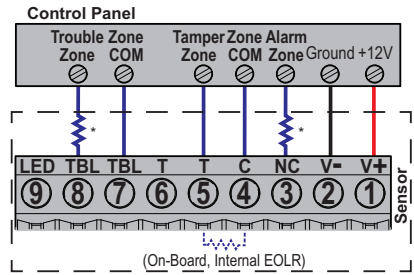
* Off-Board, External EOLR (Not supplied), best if installed inside the sensor housing.

To connect the sensor alarm, tamper and trouble/anti-mask outputs to three separate zone inputs: The alarm, tamper and trouble/anti-mask are each wired to a separate zone; the control panel differentiates alarm, tamper and trouble/anti-mask conditions.

To connect the sensor alarm, tamper and trouble/anti-mask outputs to three separate zone inputs: The alarm, tamper and trouble/anti-mask are each wired to a separate zone; the control panel differentiates alarm, tamper and trouble/anti-mask conditions.

To connect the sensor alarm, tamper and trouble/anti-mask outputs to three separate zone inputs: The alarm, tamper and trouble/anti-mask are each wired to a separate zone; the control panel differentiates alarm, tamper and trouble/anti-mask conditions.

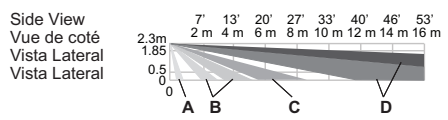
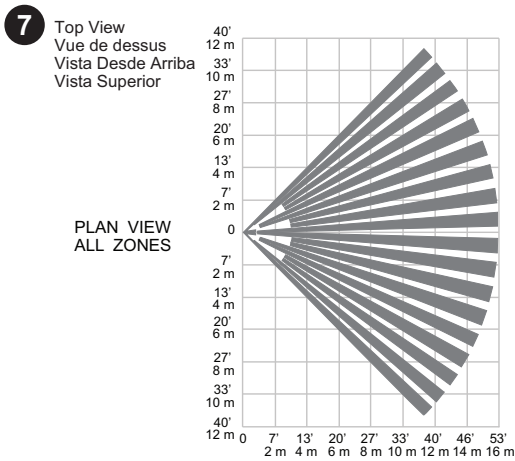
To connect the sensor alarm, tamper and trouble/anti-mask outputs to three separate zone inputs: The alarm, tamper and trouble/anti-mask are each wired to a separate zone; the control panel differentiates alarm, tamper and trouble/anti-mask conditions.



* Off-Board, External EOLR (Not supplied), best if installed inside the sensor housing.

6

LED	Power Up	Walk Test	Normal	Trouble	Anti-Mask
Red	Slow Blink	ON Alarm	ON Alarm	Fast Blink	OFF
Yellow	OFF	ON Microwave	ON Microwave	OFF	Fast Blink
Green	OFF	ON PIR	ON PIR	OFF	OFF



Zones / Zones / Zonas / Zonas

A	2	Look-down / Basses / Vista Zona 0 / Vigilancia inferior
B	12	Lower / Courtes / Cercana / Mais baixas
C	10	Intermediate / Intermédiaires / Intermedia / Intermediás
D	36	Long / Longues / Largo Alcance / Longo alcance

FEDERAL COMMUNICATIONS COMMISSION STATEMENTS

The user shall not make any changes or modifications to the equipment unless authorized by the Installation Instructions or User's Manual. Unauthorized changes or modifications could void the user's authority to operate the equipment.

CLASS B DIGITAL DEVICE STATEMENT

This equipment has been tested to FCC requirements and has been found acceptable for use. The FCC requires the following statement for your information:

This equipment generates and uses radio frequency energy and if not installed and used properly, that is, in strict accordance with the manufacturer's instructions, may cause interference to radio and television reception. It has been type tested and found to comply with the limits for a Class B computing device in accordance with the specifications in Part 15 of FCC Rules, which are designed to provide reasonable protection against such interference in a residential installation. However, there is no guarantee that interference will not occur in a particular installation. If this equipment does cause interference to radio or television reception, which can be determined by turning the equipment off and on, the user is encouraged to try to correct the interference by one or more of the following measures:

- If using an indoor antenna, have a quality outdoor antenna installed.
- Reorient the receiving antenna until interference is reduced or eliminated.
- Move the radio or television receiver away from the receiver/control.
- Move the antenna leads away from any wire runs to the receiver/control.
- Plug the receiver/control into a different outlet so that it and the radio or television receiver are on different branch circuits.
- Consult the dealer or an experienced radio/TV technician for help.

INDUSTRY CANADA CLASS B STATEMENT

This Class B digital apparatus complies with Canadian ICES-003.

Cet appareil numérique de la classe B est conforme à la norme NMB-003 du Canada.

FCC / IC STATEMENT

This device complies with Part 15 of the FCC Rules, and RSS210 of Industry Canada. Operation is subject to the following two conditions: (1) This device may not cause harmful interference, and (2) This device must accept any interference received, including interference that may cause undesired operation.

Cet appareil est conforme à la partie 15 des règles de la FCC & de RSS 210 des Industries Canada. Son fonctionnement est soumis aux conditions suivantes: (1) Cet appareil ne doit pas causer d'interférences nuisibles. (2) Cet appareil doit accepter toute interférence reçue y compris les interférences causant une réception indésirable.

APPROVAL/ LISTINGS:

- FCC part 15, Class B verified
- IC ICES-003, Class B verified
- UL 639
- ULC S306-03
- SIA-PIR-01 Passive Infrared detector standard features for false alarm immunity.

Product must be tested at least once each year.

For appropriate wiring methods, refer to the National Electrical Code NFPA 70 and the Canadian Electrical Code (where applicable).

Power must be provided by a power-limited UL603 Listed burglar alarm power supply with minimum 4 hours of standby power capability, or from a power-limited output of a UL Listed burglar alarm control unit with minimum 4 hours of standby power capability.



For the latest documentation and online support information, please go to:

Pour de l'assistance en ligne, visitez :

Para recibir soporte en línea, visite:

Para qualquer informação adicional, contacte:

<http://www.security.honeywell.com/hsc/resources/MyWebTech/>



To protect the environment, a detailed installation guide is available on the Honeywell website – Please consider before printing the document!

For the latest U.S. warranty information, please go to: www.honeywell.com/security/hsc/resources/wa or
Please contact your local authorized Honeywell representative for product warranty information.
Pour obtenir de l'information sur la garantie de ce produit, veuillez communiquer avec le représentant autorisé de Honeywell
de votre région.

Por favor contacte con su distribuidor Honeywell Security para información sobre la garantía del producto.

Contacte o representante autorizado Honeywell local para obter informações relativas a garantia.

© 2013 Honeywell International Inc. Honeywell and DUAL TEC are registered trademarks of Honeywell International Inc.

All other trademarks are the properties of their respective owners. All rights reserved. Made in China.

2 Corporate Center Drive, Suite 100
P.O. Box 9040, Melville, NY 11747
www.honeywell.com/security

Honeywell

P/N 800-13827 12/13 Rev B