



Installation Notes

Changes or modifications not expressly approved by the party responsible for compliance could void the user's authority to operate the equipment.

Note: This equipment has been tested and found to comply with the limits for a Class B digital device, pursuant to part 15 of the FCC Rules. These limits are designed to provide reasonable protection against harmful interference in a residential installation. This equipment generates, uses and can radiate radio frequency energy and, if not installed and used in accordance with the instructions, may cause harmful interference to radio communications. However, there is no guarantee that interference will not occur in a particular installation.

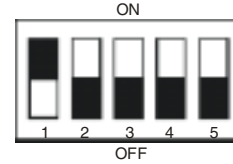
If this equipment does cause harmful interference to radio or television reception, which can be determined by turning the equipment off and on, the user is encouraged to try to correct the interference by one or more of the following measures:

- Reorient or relocate the receiving antenna.
- Increase the separation between the equipment and receiver.
- Connect the equipment into an outlet on a circuit different from that to which the receiver is connected.
- Consult the dealer or an experienced radio/TV technician for help.

DIGIREADER DR4220 INSTALLATION NOTES

DIP ADDRESS SWITCH

The DR4220 reader has a 5-position DIP-switch S1, (as shown to the right, with S-NET address 1 selected).



Switch S1 Settings					S-NET Address or Function
1	2	3	4	5	
Off	Off	Off	Off	Off	Off-line 0
On	Off	Off	Off	Off	1
Off	On	Off	Off	Off	2
On	On	Off	Off	Off	3
Off	Off	On	Off	Off	4
On	Off	On	Off	Off	5
Off	On	On	Off	Off	6
On	On	On	Off	Off	7
Off	Off	Off	On	Off	8
On	Off	Off	On	Off	9
Off	On	Off	On	Off	10

Switch S1 Settings					S-NET Address or Function
1	2	3	4	5	
On	On	Off	On	Off	11
Off	Off	On	On	Off	12
On	Off	On	On	Off	13
Off	On	On	On	Off	14
On	On	On	On	Off	15
Off	Off	Off	Off	On	16
Off	On	Off	On	On	Wiegand I/F (26-bit)
On	On	Off	On	On	Wiegand I/F (34-bit)
Off	On	On	On	On	DEMO Mode
On	On	On	On	On	TEST Mode

INTERNAL INTERFACE CABLE

An attached pigtail cable assembly provides the connection from the printed circuit assembly to the access control unit wiring on a DigiReader DR4220. The cable is color-coded as follows:

COLOR	FUNCTION	(S-NET Use)	(Wiegand Use)		
Red	+12.5 to +24VDC (max. draw 500mA)	S-NET Nominal	Wiegand Nominal		
Green	S-NET A	For use with NexWatch access control panels	NA		
White	S-NET B				
Black	GND	S-NET DC Return	Wiegand DC Return		
Shield	Earth	S-NET Shield	Wiegand Shield: Tied to Wiegand DC Return		
Blue	Data 0 (Out 0)	NA	For use with Wiegand access control panels		
Orange	Data 1 (Out 1)				
Yellow	LED 0			(Green)	Both LEDs are ACU-controlled and are ON/low or OFF/high
Brown	LED 1			(Red)	

TAMPER

The DR4220 sends a tamper signal to an S-NET-based ACU when a tamper occurs.

MOUNTING INSTRUCTIONS:

Carefully choose the installation site to avoid possible external sources of RF interference. Interference may cause reduced performance, so **DO NOT** locate the unit near motors, pumps, generators, DC-AC converters, AC switching relays, light dimmers, etc., or within 10 feet (3 m) of a computer terminal.



WARNING: DO NOT mount the unit on or near any type of metal, including nonferrous metals such as aluminum. (Metal may cause reduced performance or possible **damage to the unit.**) The unit may NOT operate properly if it is in near to, or mounted directly on metal, reinforced steel in concrete, screens, or reinforcing bars. In addition, the unit must not be framed with or surrounded by metal of any kind. If the unit must be mounted near metal structures, ensure that it has a minimum of 10 inches (25.4 cm) clearance at the rear and surrounding sides. Never cover the front of the DigiReader with any type of metal. Metal anywhere near the device can reduce the read range. In general, as the amount of metal close to the device increases, the reliable maximum read range decreases.

PEDESTAL-MOUNTING INSTRUCTIONS:

There must be no conducting metal closer than 10 inches to the DR4220 reader, except for a unit mounted with a goose-neck pedestal mounting tube, as shown in figure 1.

The recommended mounting methods follow:

1. Remove the case front (cover).
2. Use the NexWatch-supplied drilling template to pre-drill 4 holes on the plywood or LEXAN[®] sheet (recommended 3/4" thick). A channel must be cut into the plywood or LEXAN[®] for the cable between the exit point of the reader and the goose-neck.
3. Mount the plywood or LEXAN[®] sheet to a goose-neck pedestal mounting tube. (A minimum of 10" clearance is recommended between the back of the reader and the vertical metal tubing). Center the mounting tube. (See figures 1 and 2.)

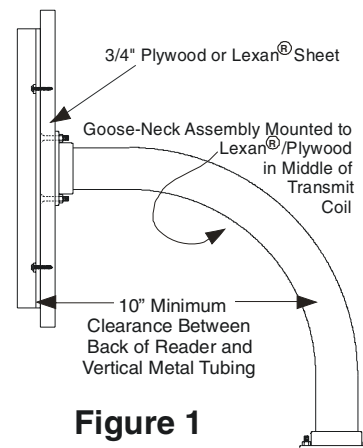
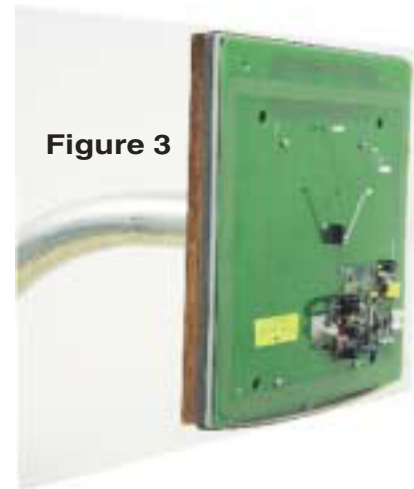


Figure 1



Figure 2

4. See the INTERNAL INTERFACE CABLE section on page 1 to install the color-coded pigtail cable.
5. Route the cable through a channel on the plywood or LEXAN® sheet. (See page 4: RECOMMENDED STAND-OFF PLATE.)
6. Mount the DR4220 board and case back (back plate) to the plywood or LEXAN® sheet which is securely attached to the goose-neck as shown in figure 3.
7. Set the address switch, as required.
8. Install the case front (cover) and be sure that the LED is not damaged as it enters the lens assembly.
9. Secure the case front four holes with the supplied screws. (See figure 4.)

**Figure 3**

WALL-MOUNTING INSTRUCTIONS:

There must be no conducting metal closer than 10 inches to the DR4220 reader.

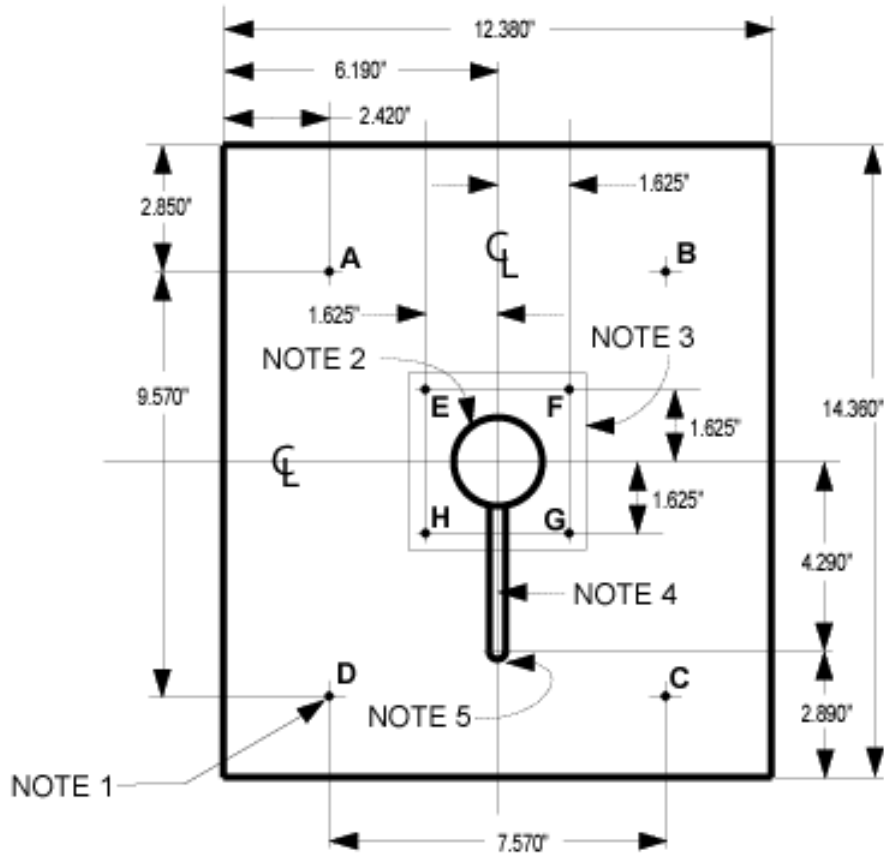
The recommended mounting methods follow:

1. Remove the case front (cover).
2. Use the NexWatch-supplied drilling template (included with reader) to drill four holes in the wall.
3. Follow the INTERNAL INTERFACE CABLE instructions to install the pigtail cable. (See page 1.)
4. Mount the DR4220 board and case back (back plate) using 2¼" Panhead #6-32 thread screws (or other means appropriate to the wall composition).
5. Set the address switch, as required.
6. Install the case front (cover) and be sure that the LED is not damaged as it enters the lens assembly.
7. Secure the case front four holes with the supplied screws. (See figure 4.)

**Figure 4**

RECOMMENDED STAND-OFF PLATE

Material is 3/4" LEXAN®, plywood or equivalent.



- NOTE 1: 0.125" diameter holes @ A, B, C, D, E, F, G & H
- NOTE 2: 2.000" diameter center hole
- NOTE 3: Square included for reference only
- NOTE 4: Route channel 0.25" deep minimum
- NOTE 5: Radius 0.188"

LEXAN® is a Registered Trademark of General Electric Corporation.

Honeywell

Honeywell
 135 West Forest Hill Avenue
 Oak Creek, WI 53154
 (414) 766-1700 Ph
 (414) 766-1798 Fax
 www.honeywell.com

Honeywell – Europe
 Boebingerstrasse 17
 71101 Schonaich
 Germany

Specifications subject to change without notice.
 © Honeywell International. All rights reserved.
 Document 7-600033, Revision F