

ADEMCO 5811

One Zone Door/Window Transmitter

Installation Instructions

Model 5811 is a single zone Door/Window Transmitter, compatible with alarm systems that support 5800 series wireless devices. 5811 has a unique serial number permanently assigned during manufacture, which must be entered into the control panel upon installation. Refer to the panel's installation instructions for programming details.

Note: During programming of the control unit, 5811 transmitters should be treated as "RF" (i.e. supervised RF) Type (mandatory for UL installations).

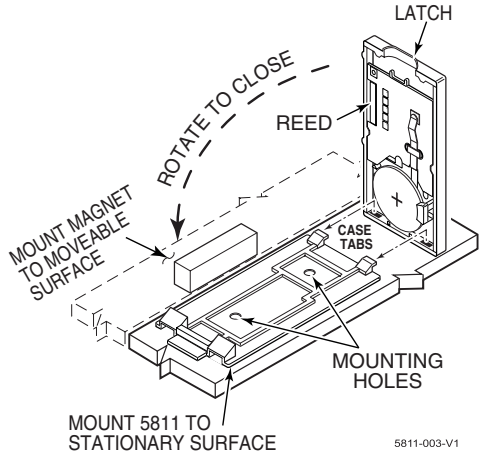
MOUNTING

Choose a mounting location for 5811 where the device is stationary and the magnet is mounted to the moving part of the door or window. Before mounting 5800 permanently, conduct Go/No Go tests (see control's instructions) to verify adequate signal strength from the mounting location.

1. **Mount using double-faced tape** (supplied) by affixing it to the back of the unit and mounting the unit in place. Use screws (optional) if desired. **Warning: Do not mount unit in a location where temperature may approach the freezing point (32°F / 0°C).**
2. Mount the magnet (supplied) near the alignment marks on the case (see Diagram).

BATTERY REPLACEMENT

1. Open housing by inserting a flat blade screwdriver into latch and twisting gently.
2. Remove old battery cell.
3. Observe proper polarity (see diagram) then insert new battery so it is held by plastic retaining clip.
4. Engage the case tabs (see diagram), then rotate the housing to close. Engage latch with firm pressure.



FEDERAL COMMUNICATIONS

COMMISSION STATEMENTS: The user shall not make any changes or modifications to the equipment unless authorized by the Installation Instructions or User's Manual. Unauthorized changes or modifications could void the user's authority to operate the equipment.

FCC / IC STATEMENT: This device complies with Part 15 of the FCC Rules, and RSS 210 of IC. Operation is subject to the following two conditions: (1) This device may not cause harmful interference (2) This device must accept any interference received, including interference that may cause undesired operation.

SPECIFICATIONS

Dimensions

2-1/8" (55mm) x 1-3/16" (30mm) x 1/4" (7mm)

Replacement Battery

Renata/Sanyo/Panasonic CR2032

WARRANTY INFORMATION

For the latest warranty information, please visit:

www.honeywell.com/security/hsc/resources/wa

REFER TO THE INSTALLATION INSTRUCTIONS FOR THE RECEIVER/CONTROL WITH WHICH THIS DEVICE IS USED FOR WARRANTY INFORMATION AND DETAILS REGARDING LIMITATIONS OF THE ENTIRE ALARM SYSTEM.

