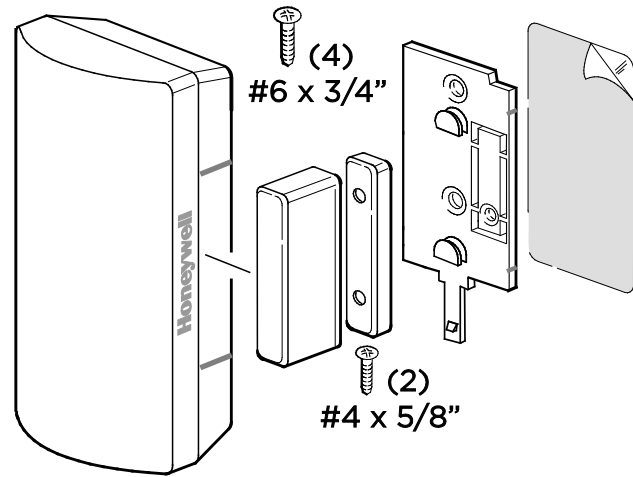


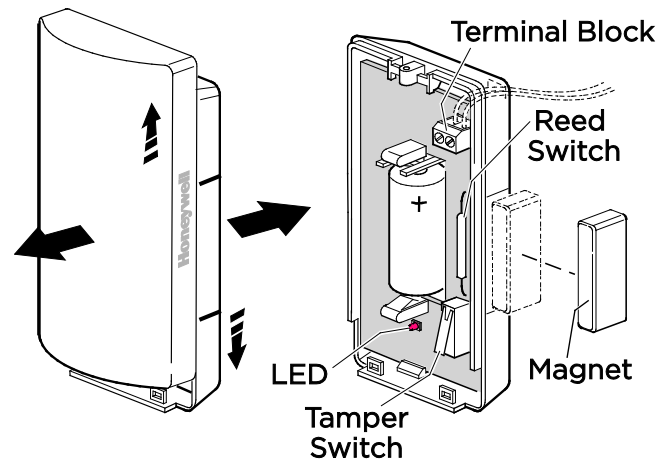
The LCT500 is a wireless door / window contact intended for use with Honeywell controls that support SiX™ series devices.

PLEASE GO TO THE BOTTOM OF THE NEXT PAGE FOR FCC/IC AGENCY STATEMENTS



Open the LCT500

- Firmly slide the top and bottom housings in opposite directions and pull them apart to open the device.

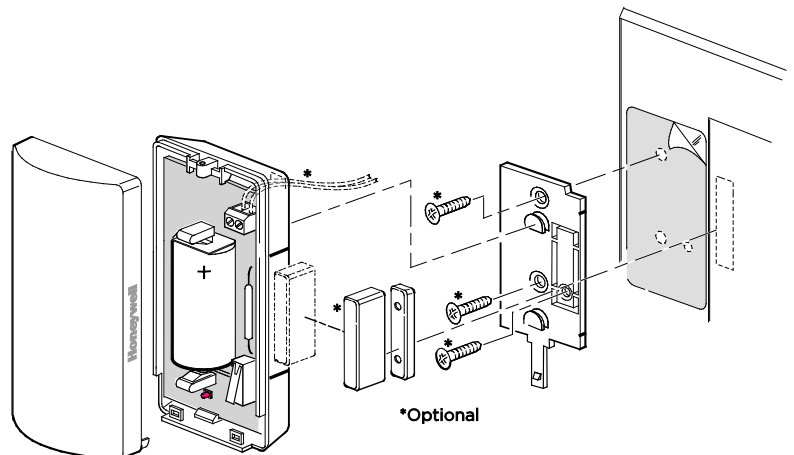


Mounting

The LCT500 can be mounted with several options:

- Installation with magnet: Make gap is 0.75"; Break gap is 1.30".
- Optional Wiring for Service loops:
 - surface wiring
 - concealed wiring
 Note: Wiring limit is 3ft.
- Range: TBD

Note: After enrolling and before mounting the LCT500 permanently, conduct Go/No Go tests (see controller's instructions) to verify adequate signal strength. Adjust the device location and orientation as necessary.



Enroll and Set Up

Note: The LCT500 can be enrolled and programmed before or after installation.

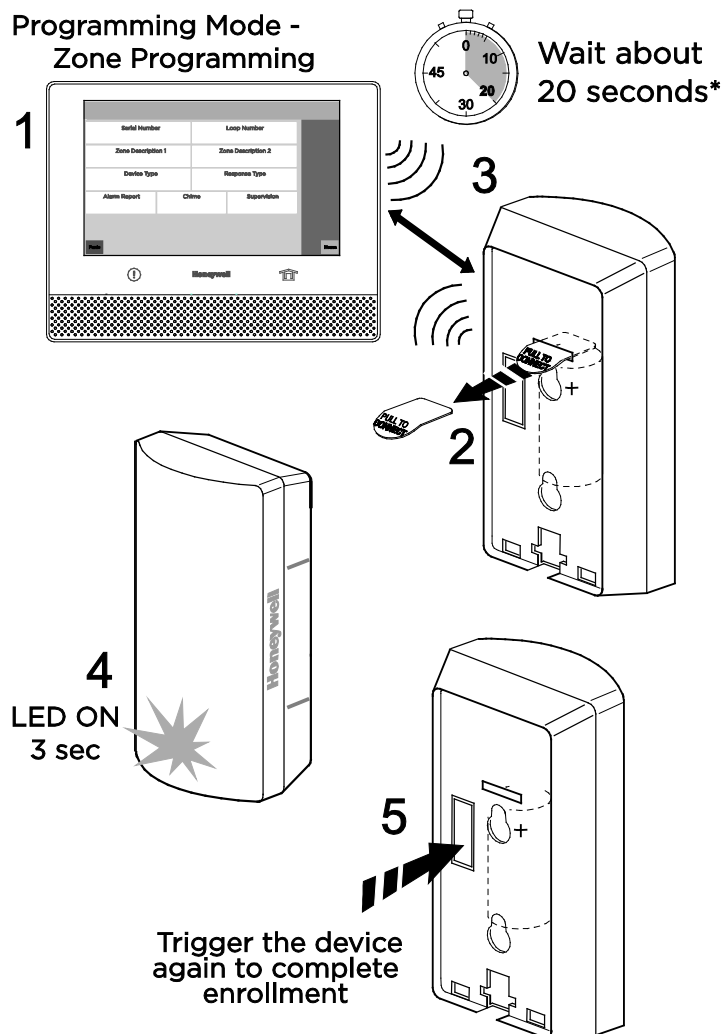
1. Set the *Lyric Smart Controller* in Programming Mode and go to Zone Programming. Select Add New, then Serial Number. Follow the control's instructions to begin enrollment.
2. Pull the battery tab to activate the LCT500 and begin the enrollment process.
3. The LED flashes (about 20 seconds*) during enrollment.
 - The device sends the device MAC ID address and Services information to the control.
 - The control registers the device and displays the transmitter data on screen.
4. When done, the LED is ON for 3 seconds and the control beeps to confirm enrollment.
5. If the device is not successfully enrolled during the enrollment period, the LED turns off and the device powers down. Activate a tamper, wired service (loop) or the reed switch to restart the enrollment process.

Note: Once enrolled in a system, the LCT500 cannot be used with another controller until it is removed from the current controller. See the Controller's instructions for details.

Follow instructions in the Controller's programming guide to program the LCT500 services:

- Cover and Wall tamper switches
- Reed switch / Magnet
- External device connected / Terminal block (unsupervised)
- Temperature sensor (this service is set by the panel)

Programming Mode - Zone Programming



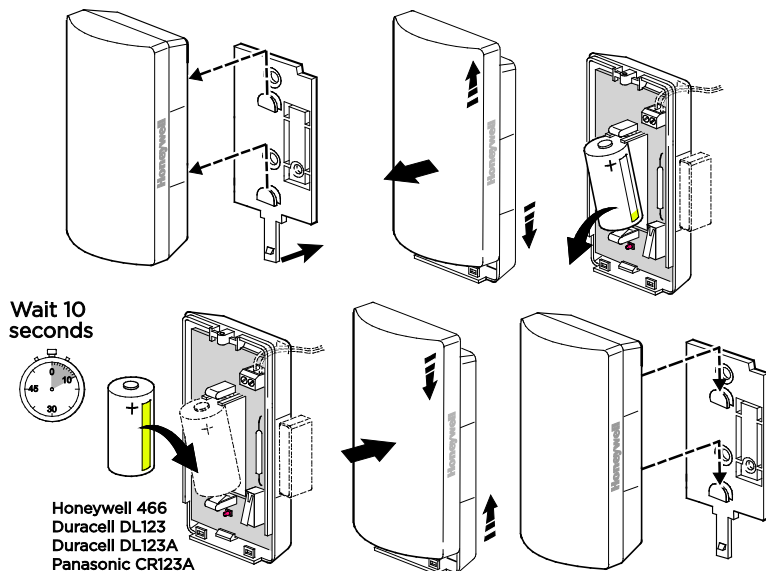
***Note:** Depending on the signal strength between the device and the control, the enrollment period may take longer than 20 seconds.

Battery Replacement

- Push the bottom latch of the mounting bracket back to disengage it. Then slide the back housing, up and out to remove it from the mounting bracket.
- Slide the front and back housings in opposite directions and pull the housings apart.
- Remove the battery, wait 10 seconds, then insert a new battery. Recommended batteries:

Panasonic CR123A	Honeywell 466
Duracell DL123	Duracell DL123A
- Place the front and back housings together and slide them together as shown.

BATTERY CAUTION: Risk of fire, explosion and burns. Do not recharge, disassemble, heat above 212° F (100° C) or incinerate. Dispose of used batteries promptly. Keep away from children.



Specifications:

Battery: 1 x 3V Lithium, Honeywell 466, Panasonic CR123A, Duracell DL123 or DL123A

Tamper: Cover and Wall – reported separately to panel.

RF Frequency: 2.4GHz

Operating Temperature: 32° – 122° F / 0° – 50° C
(Agency Compliance 32° – 120° F / 0° – 49° C)

Relative Humidity: Up to 95% (Agency Compliance - up to 93%), non-condensing

Dimensions: 1" H x 3.13" L x 1.61" W / 25.5 mm H x 79.5 mm L x 41 mm W

Approval Listings:

FCC / IC

ETL Listed to UL 634

cETL Listed to ULC/ORD C634

RoHS

Product must be tested at least once each year



FEDERAL COMMUNICATIONS COMMISSION & INDUSTRY CANADA STATEMENTS

The user shall not make any changes or modifications to the equipment unless authorized by the Installation Instructions or User's Manual. Unauthorized changes or modifications could void the user's authority to operate the equipment.

CLASS B DIGITAL DEVICE STATEMENT

This equipment has been tested to FCC requirements and has been found acceptable for use. The FCC requires the following statement for your information: This equipment generates and uses radio frequency energy and if not installed and used properly, that is, in strict accordance with the manufacturer's instructions, may cause interference to radio and television reception. It has been type tested and found to comply with the limits for a Class B computing device in accordance with the specifications in Part 15 of FCC Rules, which are designed to provide reasonable protection against such interference in a residential installation. However, there is no guarantee that interference will not occur in a particular installation. If this equipment does cause interference to radio or television reception, which can be determined by turning the equipment off and on, the user is encouraged to try to correct the interference by one or more of the following measures:

- If using an indoor antenna, have a quality outdoor antenna installed.
- Reorient the receiving antenna until interference is reduced or eliminated.
- Move the radio or television receiver away from the receiver/control.
- Move the antenna leads away from any wire runs to the receiver/control.
- Plug the receiver/control into a different outlet so that it and the radio or television receiver are on different branch circuits.
- Consult the dealer or an experienced radio/TV technician for help.

INDUSTRY CANADA CLASS B STATEMENT

This Class B digital apparatus complies with Canadian ICES-003.

Cet appareil numérique de la classe B est conforme à la norme NMB-003 du Canada.

FCC / IC STATEMENT

This device complies with Part 15 of the FCC Rules, and RSS-210 of Industry Canada. Operation is subject to the following two conditions: (1) This device may not cause harmful interference, and (2) This device must accept any interference received, including interference that may cause undesired operation.

Cet appareil est conforme à la partie 15 des règles de la FCC & de RSS-210 des Industries Canada. Son fonctionnement est soumis aux conditions suivantes: (1) Cet appareil ne doit pas causer d'interférences nuisibles. (2) Cet appareil doit accepter toute interférence reçue y compris les interférences causant une réception indésirable.

RF Exposure

Warning - The antenna(s) used for this device must be installed to provide a separation distance of at least 7.8 inches (20 cm) from all persons and must not be co-located or operating in conjunction with any other antenna or transmitter except in accordance with FCC multi-transmitter product procedures.

Mise en Garde

Exposition aux Fréquences Radio: L'antenne (s) utilisée pour cet émetteur doit être installée à une distance de séparation d'au moins 7,8 pouces (20 cm) de toutes les personnes.

Support and Warranty

REFER TO THE INSTALLATION INSTRUCTIONS FOR THE CONTROL WITH WHICH THIS DEVICE IS USED, FOR DETAILS REGARDING LIMITATIONS OF THE ENTIRE ALARM SYSTEM.

For the latest documentation and online support information, please go to:

<https://mywebtech.honeywell.com/>

For the latest U.S. warranty information, please go to: www.honeywell.com/security/hsc/resources/wa or

Please contact your local authorized Honeywell representative for product warranty information.

