



ScanPal™ Series

ScanPal™ Series Mobile Computers

EDA51-1 Quick Start Guide
EDA51-0

Note: EDA51-1 FCC ID is HD5-EDA511

EDA51-0 FCC ID is HD5-EDA510

EDA51-SC-QS Rev B



May/22/2018

Open the Package

Please check if the following items included in the package:

- ScanPal™ Series Mobile Computers;
- Main battery (3.8V, lithium ion battery);
- 10-watt power adapter;
- Replaceable adapter Plugs;
- USB charging cable;
- Quick Start Guide.

Remarks:

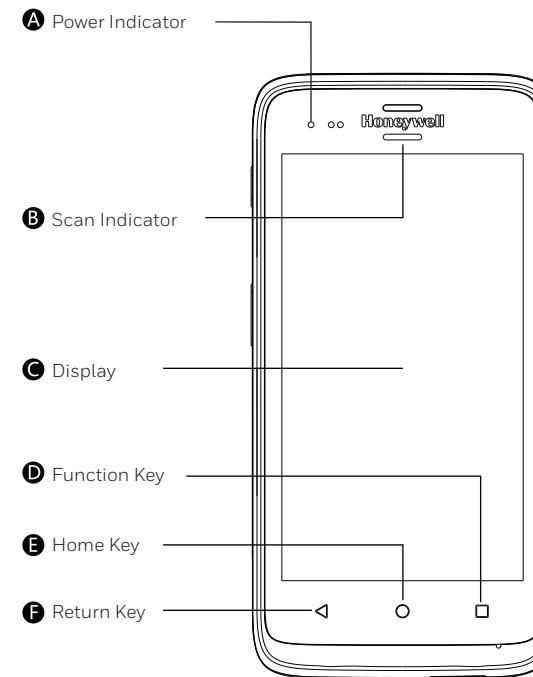
If you ordered accessories for the terminal, please make sure they are also included in the package; be sure to keep the original packages for ScanPal terminal to be returned for repairing when necessary.

Note:

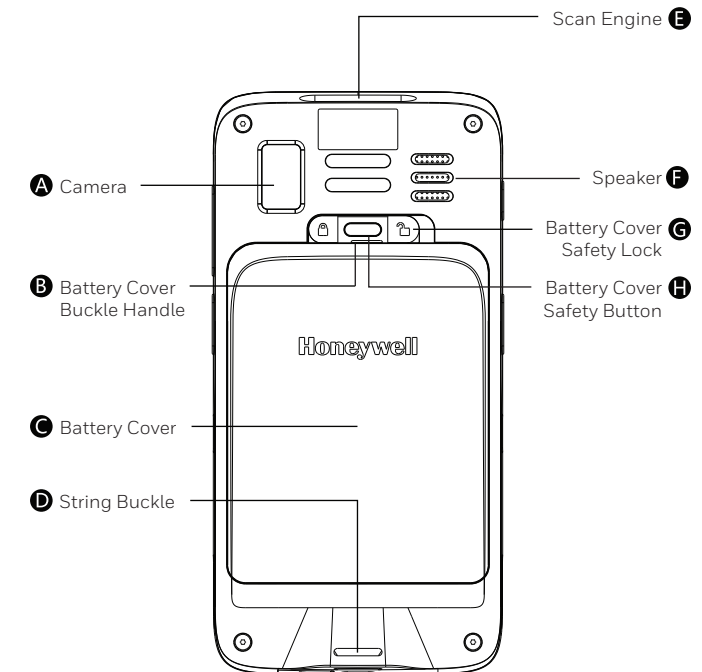
End users should not arbitrarily replace the operating system with other operating systems. To update operating system installed on your device, you need to get license from the OS vendors.

EDA51-1/EDA51-0 belongs to ScanPal Series

Front Panel

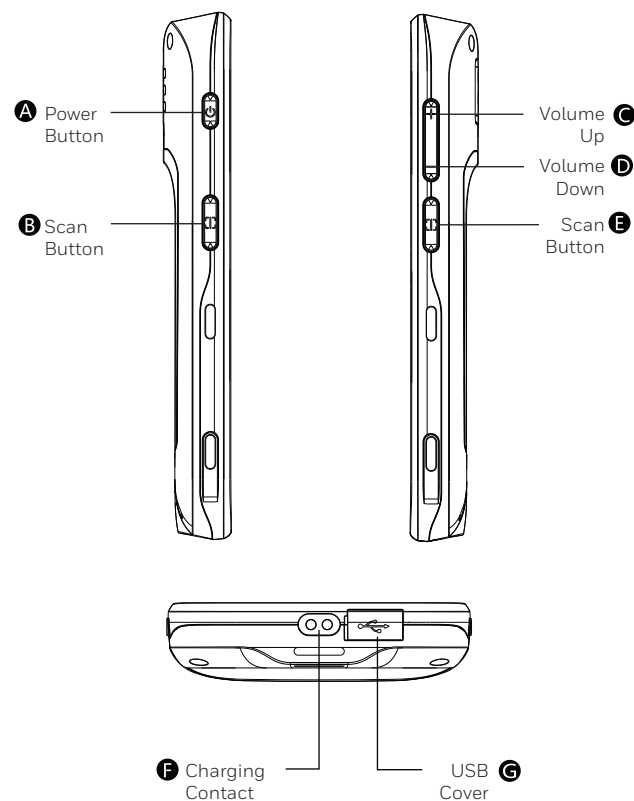


Rear Panel



Left Side View

Right Side View



Install the Main Battery

Replace the battery with wrong models may cause explosion. Please make sure to use and dispose the battery in accordance with local regulations. Please recycle the battery when possible. Do not dispose it as household waste. Please ensure all kits are dry when connect the mobile device or battery to external devices. Damages caused by connecting wet kits are not covered by the warranty.

ScanPal™ terminal comes with a battery in a separate package. Please follow the steps below to install the battery.

1. Press down the battery cover safety button to move the battery cover safety lock to the unlock position at right;
2. Open the battery cover with the battery cover buckle handle ;
3. Insert the battery (Insert the non-connector side first, then press the battery down to establish connection between the battery and the phone)
4. Press down the battery cover (Insert the non-connector side first, then press the battery cover down)
5. Press down the battery cover safety button to move the battery cover safety lock to the lock position at left

Remarks:

Refer to the illustrated installation steps on the following page.

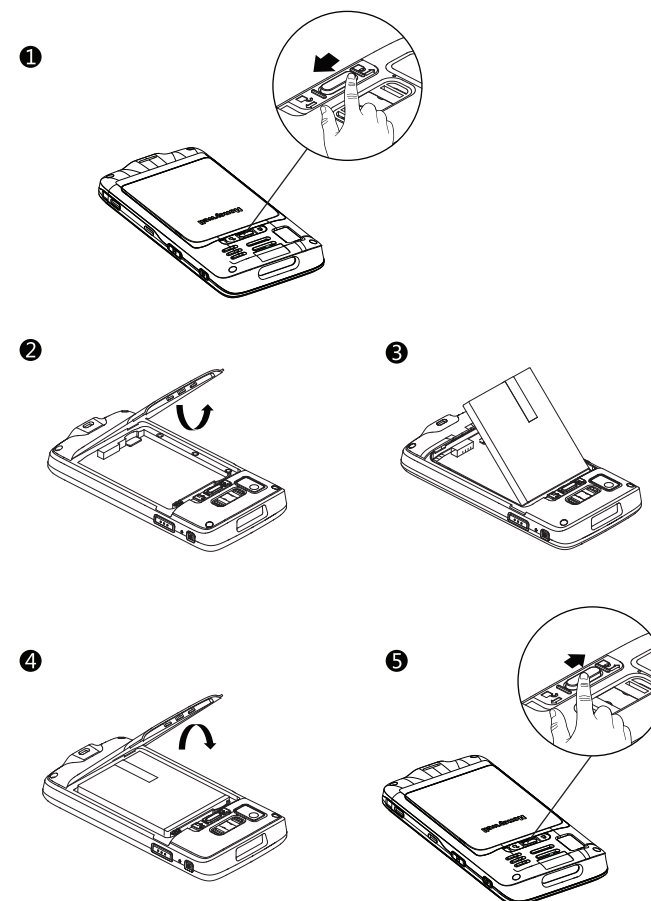
1

2

4

3

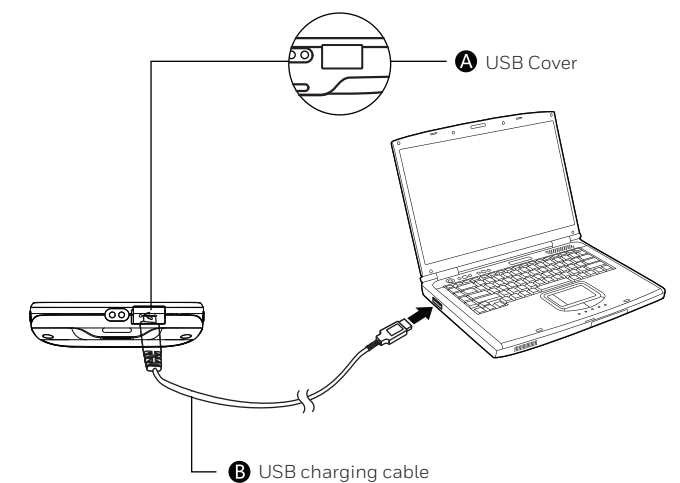
5



Charging / Sync

Synchronous Communication

1. Open the USB cover at the bottom of ScanPal™ terminal
2. Connect ScanPal™ terminal to the computer using the Micro USB cable



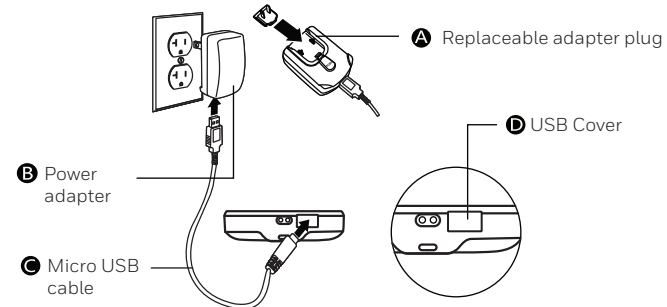
Charging / Sync

Charging

1. Open the USB cover at the bottom of ScanPal™ terminal;
2. Connect ScanPal™ terminal to the power adapter with USB charging cable;
3. Make sure the replaceable adapter plug plugged into the power adapter;
4. Connect the power adapter to the wall plug and start charging for ScanPal™ terminal.

Fully charge the ScanPal™ terminal at least 4 hours (depending on the model) before using it for the first time.

Using the device while charging will significantly extend the time required to fully charge.



Remarks:

It's recommended to use Honeywell's peripherals, batteries, USB charging cables and power adapters.

Damages caused by using non-Honeywell peripherals, batteries, USB charging cables or power adapters are not covered by the warranty.

Warnings:

Please make sure all kits are dry when use the terminal and battery with other accessories.

Damages caused by using wet kits may not be covered by the warranty.

Suspend / Wake Up the Terminal

Suspend / Wake Up the Terminal

1. Press the power button and then release (less than 2 seconds)
2. To wake up the device from sleep mode, press the power button and then release (less than 2 seconds)

Reboot

When something is wrong with the OS, press the reset button and then release to restart ScanPal™ terminal

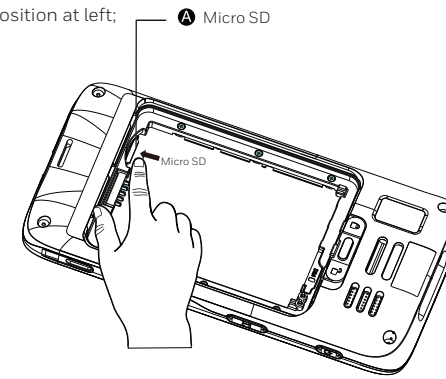
Power Indicator

The status of power indicators in non-charging and charging process are illustrated as below:

Non-charging process	
Off	Battery power is normal
Flashing orange	Battery power is low
Charging process	
Constant green	Charging complete
Flashing green	During charging process, and the charging is about to be completed
Orange	During charging process, and the battery power is still low
Flashing red	Battery is abnormal

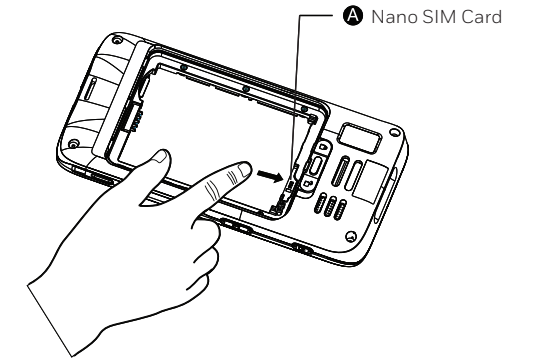
Install memory card

1. Power off;
2. Press down the battery cover safety button to move the lock to the unlock position at right;
3. Open the battery cover with the battery cover buckle handle ;
4. Pull out the battery (First open the battery connector side, then pull out the battery)
5. Insert the Micro SD card to SD card slot until it clicks;
6. Insert the battery (Insert the non-connector side first, then press the battery down to establish connection between the battery and the phone);
7. Press down the battery cover (Insert the non-connector side first, then press the battery cover down);
8. Press down the battery cover safety button to move the battery cover safety lock to the lock position at left;
9. Power on



Install SIM Card (Optional)

1. Power off the device;
2. Press down the battery cover safety button and move the battery cover lock to the unlock position to the right;
3. Open the battery cover using the battery cover notches;
4. Pull out the battery: first pull the bottom side, then pull out the battery;
5. Insert the SIM card into the SIM card slot until it clicks;
6. Insert the battery: insert the top part first, then press the bottom part to lock it in place;
7. Install the battery cover: insert the bottom part first, then press the top part;
8. Press down the battery cover safety button and move the battery cover lock to the lock position at the left;
9. Power on the device



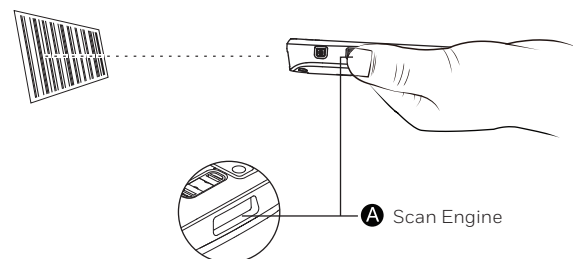
Note:

1. Only EDA51-1 delivers this feature
2. It's recommended to use standard Nano SIM card. Using non-standard Nano SIM card may cause the network unusable and even damage the card and slot;
3. Damages caused by using non- standard Nano SIM card are not covered by the warranty.

Use Scan Engine

Align the aiming beam with the barcodes, and adjust the angle between the beam and the barcodes to get the best results. The recommended range from the terminal to the barcodes is 7 to 30cm.

1. Tap All Apps > Demos > Scan Demo;
2. Click Scan on the screen or press one of the Scan Buttons;
3. Center the aiming beam over the barcode;
4. Adjust the aiming beam: for optimum performance, avoid reflections by scanning the barcode at a slight angle. Scan the barcode to slowly move the aiming beam over the bar code;
5. The information is obtained when the barcode is successfully decoded and the terminal beeps.



Aiming Beam

The aiming beam gets narrower when the terminal gets closer to the barcodes, while it gets wider when the terminal gets farther from the barcodes.

The smaller the barcodes, the closer the aiming beams should get to the barcodes
The bigger the barcodes, the father the aiming beams should get to the barcodes

Beam positions when scan QR Code



Technical Support

For information about technical support, after-sales service and maintenance, please visit www.honeywellaidc.com.

User Documents

For the local version of this article, please visit www.honeywellaidc.com.

Patents

For information on patents, please refer to www.honeywellaidc.com/patents.

Warranty

Please log into www.honeywellaidc.com/warranty_information for warranty information on your product.

Disclaimer

Honeywell International Inc. reserves the rights to modify the specifications and other information mentioned above without prior notification. Readers should consult Honeywell International Inc. to make sure if any changes made any time they read this article. The information in this article does not represent any commitments of Honeywell International Inc. Honeywell International Inc. is not responsible for direct or indirect loss caused by any technical or editing errors or omissions contained in this article.

The proprietary information contained in this article is protected by copyright. All rights reserved. Without prior written consent from Honeywell International Inc., any form of photocopy, copy or translation into other languages for any part of this article is not allowed.

Honeywell

1. This device complies with Part 15 of the FCC Rules. Operation is subject to the following two conditions: 1) this device may not cause harmful interference and 2) this device must accept any interference received, including interference that may cause undesired operation of the device.

This equipment has been tested and found to comply with the limits for a Class B digital device, pursuant to part 15 of the FCC rules. These limits are designed to provide reasonable protection against harmful interference in a residential installation.

This equipment generates, uses and can radiate radio frequency energy and, if not installed and used in accordance with the instructions, may cause harmful interference to radio communications. However, there is no guarantee that interference will not occur in a particular installation. If this equipment does cause harmful interference to radio or television reception, which can be determined by turning the equipment off and on, the user is encouraged to try to correct the interference by one or more of the following measures:

- Reorient or relocate the receiving antenna.
- Increase the separation between the equipment and receiver.
- Connect the equipment into an outlet on a circuit different from that to which the receiver is connected.
- Consult the dealer or an experienced radio/TV technician for help.

You are cautioned that changes or modifications not expressly approved by the part responsible for compliance could void the user's authority to operate the equipment.

The SAR limit adopted by USA is 1.6 watts/kilogram (W/kg) averaged over one gram of tissue. The highest SAR value reported to the Federal Communications Commission (FCC) for this device type when it is properly worn on the body is 0.190W /kg. Body SAR is measured with the device at a separation of 10mm to body while transmitting at the highest certified output power at all frequency bands for this device.

FCC RF Radiation Exposure Statement:

1. This Transmitter must not be co-located or operating in conjunction with any other antenna or transmitter.
2. For body worn operation, this device has been tested and meets FCC RF exposure guidelines. When used with an accessory that contains metal may not ensure compliance with FCC RF exposure guidelines.

Canada, Industry Canada (IC)

Canada, Industrie Canada (IC)

This Class B digital apparatus complies with Canadian ICES-003

Cet appareil numérique de classe B est conforme à la norme NMB-003.

Canadian Notice

This device complies with Industry Canada license-exempt RSS standard(s). Operation is subject to

The following two conditions:

- (1) this device may not cause interference, and
- (2) this device must accept any interference, including interference that may cause undesired operation of the device.

Avis Canadien

Le présent appareil est conforme aux CNR d'Industrie Canada applicables aux appareils radio exempts de licence. L'exploitation est autorisée aux deux conditions suivantes :

- (1) l'appareil ne doit pas produire de brouillage, et
- (2) l'utilisateur de l'appareil doit accepter tout brouillage radioélectrique subi, même si le brouillage est susceptible d'en compromettre le fonctionnement.

Operation in the band 5150-5250 MHz is only for indoor use to reduce the potential for harmful interference to co-channel mobile satellite systems.

La bande 5 150-5 250 MHz est réservée uniquement pour une utilisation à l'intérieur afin de réduire les risques de brouillage préjudiciable aux systèmes de satellites mobiles utilisant les mêmes canaux.

For the frequency 5600-5650 MHz, no operation is permitted

Pour la fréquence 5600-5650 MHz, aucune opération est autorisée.

RF Radiation Exposure Statement:

For body worn operation, this phone has been tested and meets RF exposure guidelines when used with an accessory that contains no metal. Use of other accessories may not ensure compliance with RF exposure guidelines.

Déclaration de l'exposition aux radiations RF:

Pour le fonctionnement du corps, ce téléphone a été testé et répond aux directives d'exposition RF lorsqu'il est utilisé avec un accessoire qui ne contient pas de métal. Utilisation d'autres accessoires peut ne pas assurer le respect des directives d'exposition RF.

Exposure of humans to RF fields (RSS-102)

The computers employ low gain integral antennas that do not emit RF field in excess of Health Canada limits for the general population; consult Safety Code 6, obtainable from Health Canada's Web site at <http://www.hc-sc.gc.ca>

The radiated energy from the antennas connected to the wireless adapters conforms to the IC limit of the RF exposure requirement regarding IC RSS-102, Issue 5 clause 4.

Conformité des appareils de radiocommunication aux limites

d'exposition humaine aux radiofréquences (CNR-102)

L'ordinateur utilise des antennes intégrales à faible gain qui n'émettent pas un champ électromagnétique supérieur aux normes imposées par Santé Canada pour la population. Consultez le Code de sécurité 6 sur le site Internet de Santé Canada à l'adresse suivante : <http://www.hc-sc.gc.ca>

L'énergie émise par les antennes reliées aux cartes sans fil respecte la limite d'exposition aux radiofréquences telle que définie par Industrie Canada dans la clause 4.1 du document CNR-102, version 5.

RoHS 含有機磷訪問： <https://www.honeywellaidc.com/about-us/taiwan-rohs-tables> 找到對應的產品型號訪問。

Honeywell Scanning & Mobility Product Environmental Information

Refer to www.honeywellaidc.com/environmental for the RoHS / REACH / WEEE information.