

## ScanPal EDA51K Mobile Computer

EDA51K-0 Quick Guide  
EDA51K-1



EDA51K-SC-QS Rev A  
2020/09/09

### Remove the packing

Please check to see if it contains the following items:

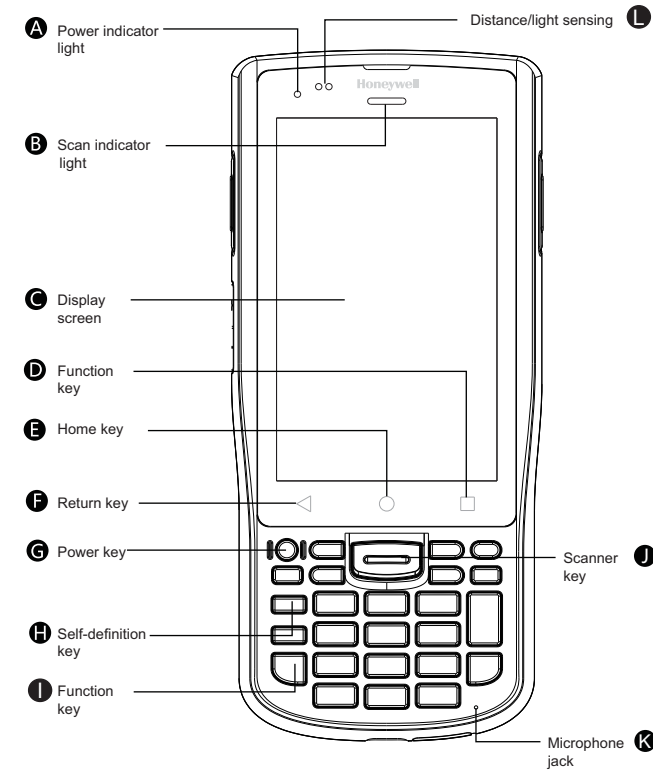
- ScanPal EDA51K Mobile Computer;
- Main battery (3.8V, lithium-ion battery);
- 10W battery adapter;
- Interchangeable adapter plug;
- USB power cable;
- Basic Guide

**Note:**  
If you have ordered accessories for your terminal, please check that the accessories are also included in the packing. Please retain the original packing at all times. This is to facilitate return of ScanPal EDA51K terminal for maintenance or repair.

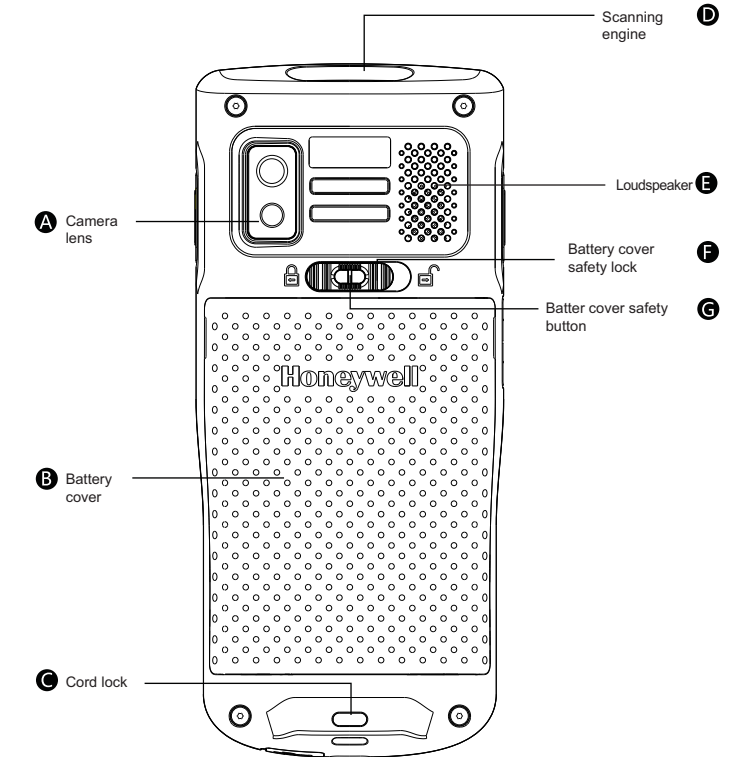
**Disclaimer:**  
The manufacturer shall not be held responsible for any consequences arising from the user's failure to follow the above recommendations or erroneous use of the mobile phone. Our product's operating system supports updates in official system. If the user adopts a third-party ROM system or make any revisions to the operating system through for example jail breaking, the system may be rendered unstable, in which case our company will not provide support to the user or bear any responsibility.

EDA51K-0/EDA51K-1 is a part of ScanPal EDA51K series

### Front panel

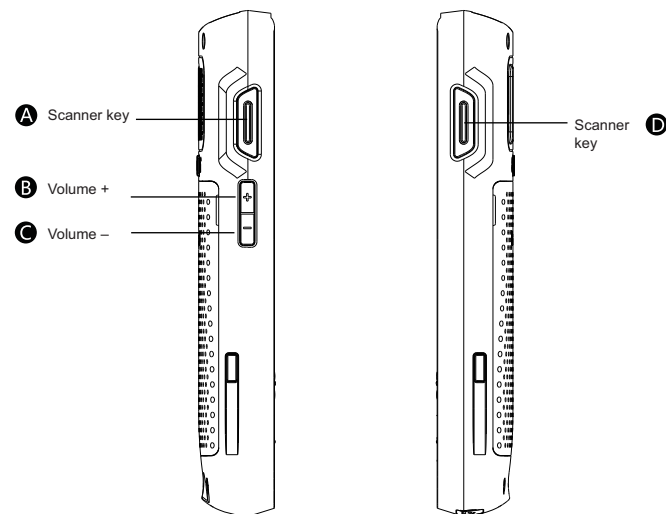


### Rear panel

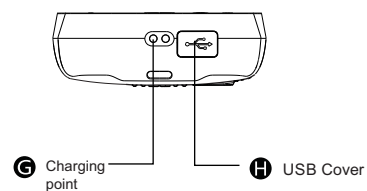


### Left side

### Right side



### Base



### Mounting Main Battery

Use of wrong model of battery will pose a threat of explosion. Please dispose used battery according to instructions and local regulations. As far as possible dispose of the battery as product for recycling; do not dispose of it as normal trash.

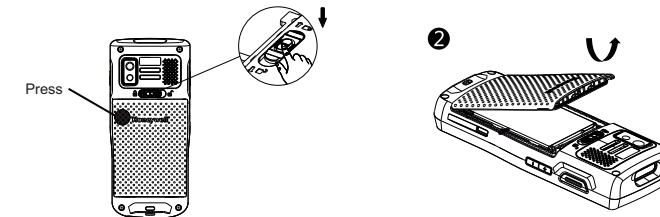
Please ensure that all the component parts are dry before connecting the terminal/battery to external equipment. Damage to the equipment due to connection using wet parts is not covered by warranty.

**EDA51K is equipped with a battery which comes in separate packing. Please install the battery in accordance with the following steps.**

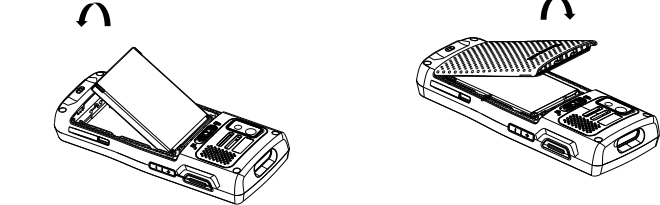
1. Press the battery cover's safety button and move it to the right unlocking position;
2. Remove the battery cover using its locking latch;
3. Insert the battery (first insert the battery at the battery connector end before pressing the rest of the battery to ensure that the battery is connected to the mobile phone);
4. Press the battery cover (first insert the part of the battery cover away from the battery connector before inserting the rest of the battery cover);
5. Move the battery safety to the left side locking position.

**Note:**  
Please refer to the illustration on the next page on installation of battery.

- 1 Press the battery cover before sliding the battery locking button towards the right to unlock it



- 2



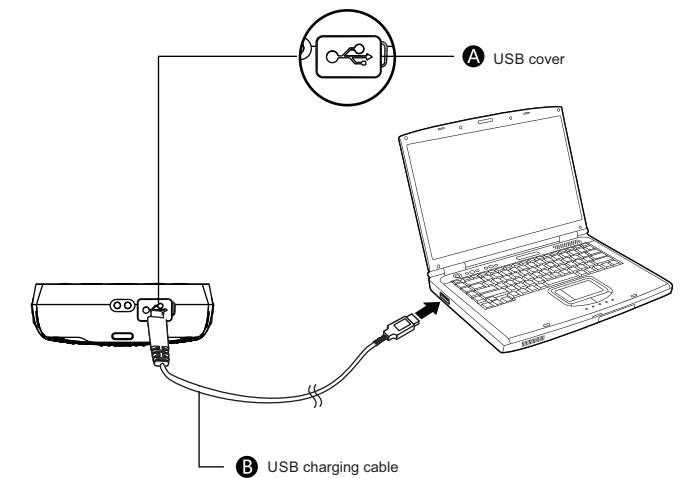
- 3
- 4
- 5 Press the battery cover before sliding the battery cover locking button towards the left to lock it



### Charging/Synchronization

#### Synchronizing communication

1. Unlock the USB cover at the base of ScanPal EDA51K;
2. Connect ScanPal EDA51K with the computer using the USB charging cable

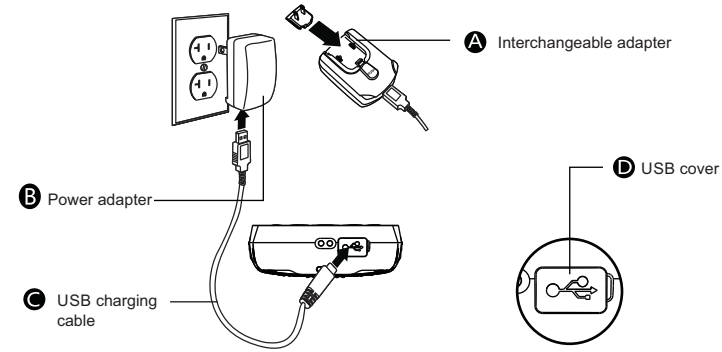


## Charging/Synchronization

### Charging

1. Unlock the USB cover at the base of ScanPal EDA51K;
2. Use USB charging cable to connect ScanPal EDA51K with power adapter;
3. Ensure that the interchangeable adapter is plugged into the power adapter;
4. Connect the power adapter to wall socket and begin charging ScanPal EDA51K battery

Before using ScanPal EDA51K terminal, charge it for at least 4 hours in accordance with its battery model using ScanPal EDA51K charger.



### Note:

Use of Honeywell's external device, battery, USB charging cable and power adapter is recommended. Any damage caused to this product as a result of use of the above accessories that are not from Honeywell will not be covered by our warranty.

## Suspend/reactivate terminal

### Suspend/reactivate terminal

1. Press the power key then release (press for less than 2 seconds);
2. To reactivate the device from suspend mode, press the power key then release (press for less than 2 seconds).

### Restarting device

If there is a problem with the system, Press the power key for about 13 seconds before releasing to restart ScanPal EDA51K.

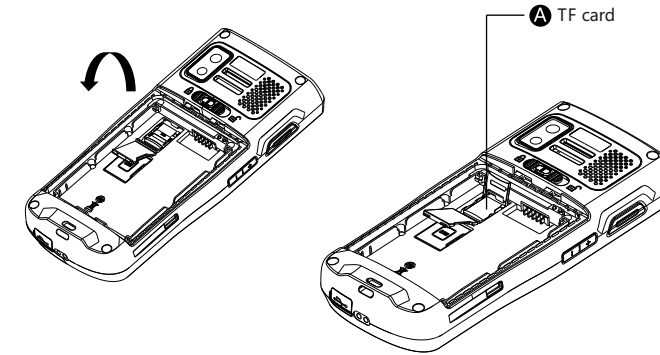
### ScanPal EDA51K power indication

The following sets out the status of ScanPal EDA51K as indicated by its power indicator light

Non-charging Status	
Off	Battery is normal
Flickering orange light	Low battery charge
Charging Status	
Constant green light	Fully-charged
Flickering green light	Charging, battery almost fully-charged
Orange light	Charging, low battery
Flickering red light	Battery is abnormal

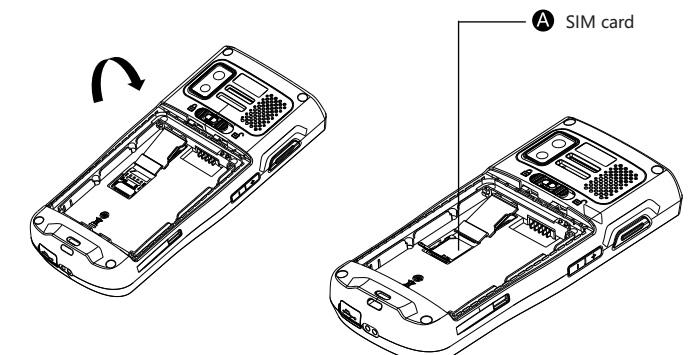
## Installing memory card

1. Switch off the device;
2. Press the battery cover's safety key, before sliding the battery locking button towards the right to unlock it;
3. Remove the battery cover using its locking latch;
4. Remove the battery (remove it from its bottom part before pulling out the entire battery);
5. Lift the Micro TF card's silica gel cover;
6. Lift the Micro TF card cover and insert the card;
7. Insert the battery (first insert the side with connector before pressing the battery such that the battery is connected to the mobile phone);
8. Press the battery cover to lock it;
9. Press the battery cover before sliding the battery cover locking button towards the left to lock it;
10. Switch on the device.



## Installing SIM card (only EDA51K-1)

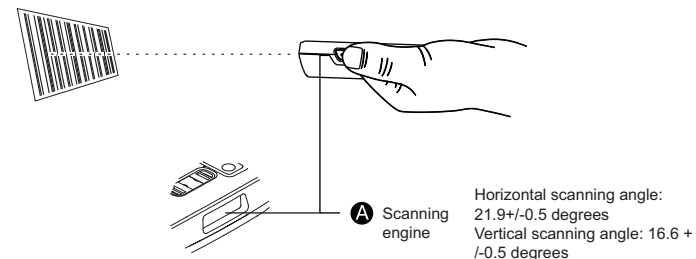
1. Switch off the device;
2. Press the battery cover's safety key, before sliding the battery locking button towards the right to unlock it;
3. Remove the battery cover using its locking latch;
4. Remove the battery (remove it from its bottom part before pulling out the entire battery);
5. Lift the Micro SIM card's silica gel cover;
6. Lift the Micro SIM card cover and insert the card;
7. Insert the battery (first insert the side with connector before pressing the battery such that the battery is connected to the mobile phone);
8. Press the battery cover to lock it;
9. Press the battery cover before sliding the battery cover locking button towards the left to lock it;
10. Switch on the device.



## Using scanning engine

Aim the beam at the bar code and adjust the angle between it and the bar code to obtain the best effect. The recommended distance between the device and the bar code is 4-10 inches (10-25 cm).

1. Click demo application on the interface and select the demo program;
2. Click 'scan' on the screen, or press the scanner key;
3. Aim ScanPal EDA51K terminal at the bar code;
4. Adjust the aiming beam. To obtain the best performance one should avoid very small angle. By way of scanning the bar code's reflect, slowly move the aiming beam along the bar code;
5. The terminal will emit buzzer when decoding of the bar code is successful; this means information on the bar code has been captured by the terminal.



## Aiming beam

The aiming beam becomes narrow when the terminal is close to bar code; conversely it becomes wider.

When the bar code's measurement is smaller, the aiming beam must be closer to the bar code  
Conversely the aiming beam must be further away from the bar code.

### 2D image scanning beam position



## Technical Support

For information on technical support, product after-sales service and repairs please visit: [www.honeywellaidc.com](http://www.honeywellaidc.com)

### User file

For the version of this document in local language please visit: [www.honeywellaidc.com](http://www.honeywellaidc.com).

### Patents

For information on patents please refer to: [www.honeywellaidc.com/patents](http://www.honeywellaidc.com/patents).

### Duration of warranty repair

Please visit: [www.honeywellaidc.com/warranty\\_information](http://www.honeywellaidc.com/warranty_information)  
To obtain information on warranty repair for your product.

### Disclaimer

Honeywell International Inc. (HII) reserves the right to change the specifications and other information without notice. Under any circumstances the reader should check whether any such changes have been made. The information contained herein does not tantamount to any warranties/undertaking made by HII. HII shall not bear any direct or indirect losses for any technical or editorial error and omission.

The text in this file contains proprietary information protected by copyright. Photocopying or duplication of any contents herein or translation of such contents into other languages is prohibited without HII's prior written consent.

# Honeywell

1. This device complies with Part 15 of the FCC Rules. Operation is subject to the following two conditions: 1) this device may not cause harmful interference and 2) this device must accept any interference received, including interference that may cause undesired operation of the device.

This equipment has been tested and found to comply with the limits for a Class B digital device, pursuant to part 15 of the FCC rules. These limits are designed to provide reasonable protection against harmful interference in a residential installation.

This equipment generates, uses and can radiate radio frequency energy and, if not installed and used in accordance with the instructions, may cause harmful interference to radio communications. However, there is no guarantee that interference will not occur in a particular installation. If this equipment does cause harmful interference to radio or television reception, which can be determined by turning the equipment off and on, the user is encouraged to try to correct the interference by one or more of the following measures:

-Reorient or relocate the receiving antenna.

-Increase the separation between the equipment and receiver.

-Connect the equipment into an outlet on a circuit different from that to which the receiver is connected.

-Consult the dealer or an experienced radio/TV technician for help.

You are cautioned that changes or modifications not expressly approved by the part responsible for compliance could void the user's authority to operate the equipment.

FCC RF Radiation Exposure Statement:

1. This Transmitter must not be co-located or operating in conjunction with any other antenna or transmitter.

2. For body worn operation, this device has been tested and meets FCC RF exposure guidelines. When used with an accessory that contains metal may not ensure compliance with FCC RF exposure guidelines.

#### Canada, Industry Canada (IC)

#### Canada, Industrie Canada (IC)

This Class B digital apparatus complies with Canadian ICES-003

Cet appareil numérique de classe B est conforme à la norme NMB-003.

#### Canadian Notice

This device complies with Industry Canada license-exempt RSS standard(s). Operation is subject to

The following two conditions:

(1) this device may not cause interference, and

(2) this device must accept any interference, including interference that may cause undesired operation of the device.

#### Avis Canadien

Le présent appareil est conforme aux CNR d'Industrie Canada applicables aux appareils radio exempts de licence. L'exploitation est autorisée aux deux conditions suivantes :

(1) l'appareil ne doit pas produire de brouillage, et

(2) l'utilisateur de l'appareil doit accepter tout brouillage radioélectrique subi, même si le brouillage est susceptible d'en compromettre le fonctionnement.

Operation in the band 5150-5250 MHz is only for indoor use to reduce the potential for harmful interference to co-channel mobile satellite systems.

La bande 5 150-5 250 MHz est réservée uniquement pour une utilisation à l'intérieur afin de réduire les risques de brouillage préjudiciable aux systèmes de satellites mobiles utilisant les mêmes canaux.

For the frequency 5600-5650 MHz, no operation is permitted

Pour la fréquence 5600-5650 MHz, aucune opération est autorisée.

#### RF Radiation Exposure Statement:

For body worn operation, this phone has been tested and meets RF exposure guidelines when used with an accessory that contains no metal. Use of other accessories may not ensure compliance with RF exposure guidelines.

#### Déclaration de l'exposition aux radiations RF:

Pour le fonctionnement du corps, ce téléphone a été testé et répond aux directives d'exposition RF lorsqu'il est utilisé avec un accessoire qui ne contient pas de métal. Utilisation d'autres accessoires peut ne pas assurer le respect des directives d'exposition RF.

#### Exposure of humans to RF fields (RSS-102)

The computers employ low gain integral antennas that do not emit RF field in excess of Health Canada limits for the general population; consult Safety Code 6, obtainable from Health Canada's Web site at <http://www.hc-sc.gc.ca/>

The radiated energy from the antennas connected to the wireless adapters

conforms to the IC limit of the RF exposure requirement regarding IC RSS-102,

Issue 5 clause 4.

#### Conformité des appareils de radiocommunication aux limites

#### d'exposition humaine aux radiofréquences (CNR-102)

L'ordinateur utilise des antennes intégrales à faible gain qui n'émettent pas un champ électromagnétique supérieur aux normes imposées par Santé Canada pour la population. Consultez le Code de sécurité 6 sur le site Internet de Santé

Canada à l'adresse suivante : <http://www.hc-sc.gc.ca/>

L'énergie émise par les antennes reliées aux cartes sans fil respecte la limite

d'exposition aux radiofréquences telle que définie par Industrie Canada dans la

clause 4.1 du document CNR-102, version 5.

#### Model EDA51K-0

FCC SAR

The highest reported FCC SAR values for head and body-worn accessory use conditions are: 0.08 W/kg (1g) and 1.09 W/kg (1g).

IC SAR

The highest reported IC SAR values for head and body-worn accessory use conditions are: 0.08 W/kg (1g) and 1.09 W/kg (1g).

DAS IC

Les valeurs DAS IC les plus élevées pour les conditions d'utilisation des accessoires portés sur la tête et le corps sont les suivantes: 0,08 W/kg (1g) et 1,09 W/kg (1g).

SAR is measured with this device at a separation of 5mm to the body.

#### Honeywell Scanning & Mobility Product Environmental Information

Refer to [www.honeywellaidc.com/environmental](http://www.honeywellaidc.com/environmental) for the RoHS / REACH / WEEE information.