

## T874 Multistage Thermostats and Q674 Subbases

### PRODUCT DATA



### APPLICATION

These thermostats and subbases provide low voltage control of multistage heating and cooling systems, including heat pump systems.

### FEATURES

- T874 Thermostat has silent, dust-free mercury switches operated by coiled bimetal elements.
- Heat anticipator(s) are adjustable or fixed cooling anticipator(s) are fixed.
- Individual heat and cool levers and scales (most models) for temperature setting located on top of thermostat case.
- Cover thermometer on most T874 Multistage Thermostat models.
- Locking cover and locking lever screws available for T874 Multistage Thermostats.
- Versaguard™ Thermostat Guard or custom key lock thermostat guards available for T874 Multistage Thermostats.
- T874 Thermostat requires a Q674 Subbase.
- Q674 Subbase provides system and fan switching, wiring terminals and mounting base for T874 Multistage Thermostat.
- Adapter plate available for mounting Q674 on wall or horizontal outlet box.
- Light-emitting diodes (LEDs) located on subbase for easy reference.
- Up to three stages each of heating and cooling control possible.
- Models with setpoint restrictions and locking cover with no thermometer available for Department of Defense (DoD) and other special applications.
- Outdoor reset used on some models to improve thermal performance.

### Contents

Application .....	1
Features .....	1
Specifications .....	2
Ordering Information .....	2
Installation .....	7
Settings .....	11
Checkout .....	13
Calibration .....	14
Understanding Circuits .....	14
Operation .....	21
Cross Reference .....	29
Wiring Diagrams .....	96



# SPECIFICATIONS

**IMPORTANT**

*The specifications given in this publication do not include normal manufacturing tolerances. Therefore, this unit may not exactly match the listed specifications. This product is tested and calibrated under closely controlled conditions, and some minor differences in performance can be expected if those conditions are changed.*

## Super Tradeline®/Tradeline® Models

SUPER TRADELINE controls offer features not available on TRADELINE or standard models, and are designed to replace a wide range of Honeywell and competitive controls.

TRADELINE models are selected and packaged to provide ease of stocking, ease of handling, and maximum replacement value. Specifications of SUPER TRADELINE and TRADELINE controls are the same as those of standard models except as noted below.

## Super Tradeline Models

**T874 THERMOSTAT**

- T874D Thermostat. Provides two stages of heating and two stages of cooling. Use with Q674A-F Subbases.
- Y594D (T874D/Q674E/TG504A) Thermostat/Subbase/key lock cover package. Provides two stages of heating and two stages of cooling. Includes a key lock cover for setpoint protection.
- Y594G (T874G/Q674F) Thermostat/Subbase package for heat pump. Provides two stages of heating and one stage of cooling. Automatic changeover in heat or cool mode. Available in beige or Premier White® color.
- Y594R (T874R/Q674L) Thermostat/Subbase package for heat pump. Provides two stages of heating and one stage of cooling. Manual changeover in heat or cool mode. Available in beige or Premier White® color.

**SUPER TRADELINE FEATURES:**

- SUPER TRADELINE package with cross reference label and special instruction sheet.
- SUPER TRADELINE model supplied with locking lever and locking cover accessories.
- Includes adjustable temperature locking stops.
- T874D replaces T874A-F TRADELINE or standard models.

## Tradeline Models

**T874 THERMOSTAT**

- T874 TRADELINE models provide staged heat and/or cool operation. See Table 1.

**Table 1. Heating and Cooling Stages.**

Models	A	B	C	D	E	F
Heating Stages	1	1	2	2	—	2
Cooling Stages	1	2	1	2	2	—

- T874A-F are standard models.

**TRADELINE FEATURES:**

- TRADELINE package with cross reference label and special instruction sheet.
- T874A,C model available with factory stops for DoD applications.
- T874A,C model available with adjustable temperature locking stops.

**Q674 SUBBASE**

Q674 switching subbases provide system and fan switching. See Table 2.

**Table 2. System and Fan Switching.**

Q674	System	Fan
A	Heat-Auto-Cool	Auto-On
B	Heat-Off-Cool	Auto-On
C	Off-Auto	Auto-On
D	None	None
E	Off-Heat-Auto-Cool	Auto-On
F	Em. Ht.-Off-Heat-Auto-Cool	Auto-On
G	Off-Auto	None
J	Em. Ht.-Auto-Off	Auto-On
L	Em. Ht.-Heat-Off-Cool	Auto-On

**TRADELINE FEATURE:**

- TRADELINE package with cross reference label and special instruction sheet.
- Q674A-E,G are standard (non-heat pump) models. Q674F,J,L are heat pump models.

# ORDERING INFORMATION

When purchasing replacement and modernization products from your TRADELINE® wholesaler or distributor, refer to the TRADELINE® Catalog or price sheets for complete ordering number.

If you have additional questions, need further information, or would like to comment on our products or services, please write or phone:

1. Your local Home and Building Control Sales Office (check white pages of your phone directory).
2. Home and Building Control Customer Relations  
Honeywell, 1885 Douglas Drive North  
Minneapolis, Minnesota 55422-4386 (800) 328-5111

In Canada—Honeywell Limited/Honeywell Limitée, 35 Dynamic Drive, Scarborough, Ontario M1V 4Z9.

International Sales and Service Offices in all principal cities of the world. Manufacturing in Australia, Canada, Finland, France, Germany, Japan, Mexico, Netherlands, Spain, Taiwan, United Kingdom, U.S.A.

**Standard Models**

**T874 THERMOSTATS**

**Models:** See Table 3.

**Electrical Rating:** 24 to 30 Vac.

**Switching:** Coiled bimetal elements operate mercury switches.

**Temperature Adjustment:** Heating and cooling setting levers, with separate scales located on top of thermostat base. Common lever for heating and cooling on T874R; one cooling lever on T874E,V; and one heating lever on T874F,Q.

**Dimensions:** See Fig. 1.

**Temperature:** Scale Range: 42° to 88°F (6° to 31°C) standard; optional ranges available.

**Thermometer Range:** 42° to 88°F (6 to 31°C)

**Changeover Differential:** 4°F (2°C) minimum between heating and cooling (5°F [3°C] on T874W). Levers can be set apart for greater separation.

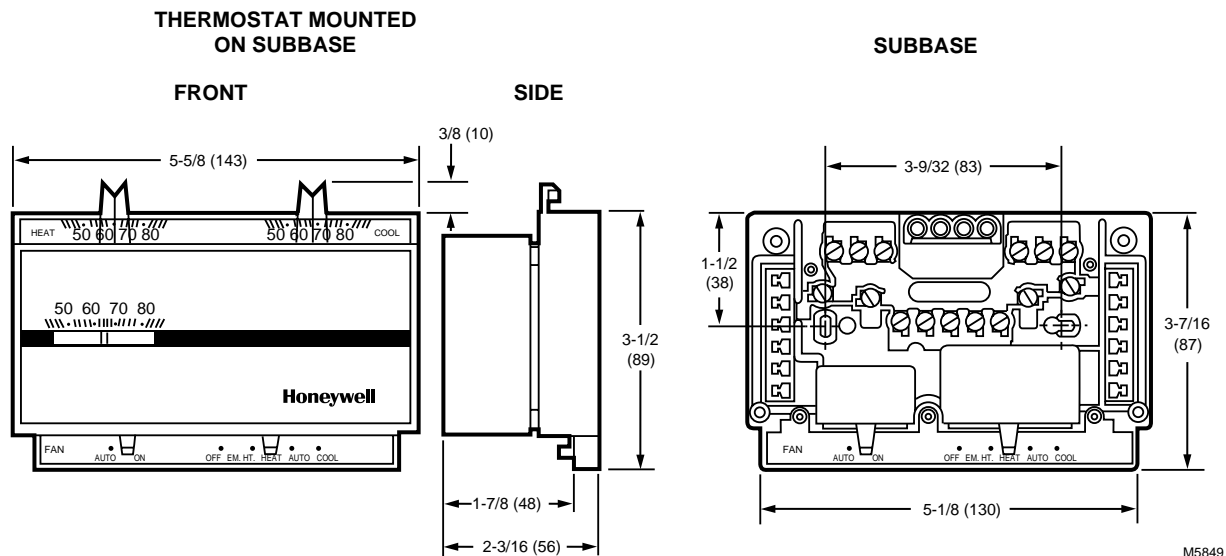
**Interstage Differential:**

Standard Models: Mechanical differential is 1°F (0.6°C) between heating or cooling stages; operating differential is approximately 1.9°F (1°C) between stages in heating or cooling.

Special Models: See Table 3.

**Finish:** Beige or Premier White® finish.

**Mounting Means:** T874 Multistage Thermostat mounts on Q674 Subbase. Subbase mounts horizontally on wall or outlet box. Mounts on vertical outlet box with optional 193121A Adapter Plate Assembly.



**Fig. 1. T874 Thermostat and Q674 Subbase dimensions in in. (mm).**

**Optional Specifications (T874 Only):**

Temperature scale ranges are 40° to 75°F (4° to 24°C) heating and 75° to 90°F (24° to 32°C) cooling with stop; 44° to 68°F (7° to 20°C) heating, 80° to 86°F (27° to 30°C) cooling; 6° to 29°C (43° to 85°F) Celsius scale; 3° to 22°C (38° to 72°F) and 26° to 32°C (78° to 90°F) cooling with stop.

Nonadjustable factory-added stop limits heating setpoint to 72°F (22°C) maximum and cooling setpoint to 78°F (26°C) minimum.

OEM customer personalization.

Locking cover and locking lever (see Thermostat Accessories).

Thermostat cover without thermometer.

Adjustable locking temperature stops.

Voltage heat anticipation for first or second stage heat or both. See Table 3.

Fast cycling on heating stage(s) for electric heat applications.

C815A Outdoor Thermistor for improved performance on specified models.

**Thermostat Accessories:**

Locking Cover and Locking Lever Assembly: Part no. 194559R with thermometer; 194559S without thermometer. See Fig. 2. Includes cover, screws, and Allen wrench for locking cover. The screws must be used to assure proper operation.

Adjustable Lever Stop: Part no. 4074ECK; includes lever stop and screws.

Universal Versaguard™ Thermostat Guard: Includes wall-plate, ring base, guard cover, tumbler lock, two keys and optional Honeywell logo insert. Double-wall construction provides extra measure of tamper-resistance. Tamper-resistant lock; key cannot be removed without being in locked position. Vents in guard base allow airflow for optimum thermostat performance. See form 68-0104 for more information.

- TG511A1000: Clear cover.
- TG511B1008: Opaque cover.
- TG511D1004: Painted steel (off-white) cover. See Fig. 2.

Key Lock Cover: Part no. TG504A replaces existing T874 cover. Mounts on T874 base and covers thermostat settling levers and subbase switches. Includes LED window and two keys. Should not be used with 193121A Adapter Plate.

- TG504A1025: Blank face, internal thermometer.
- TG504A1033: External thermometer. See Fig. 2.



**194559R Locking Cover with Thermometer Allen Wrench**



**TG504A1033 Key Lock Cover with External Thermometer**



**TG511D1004 Includes Painted Steel Cover, Opaque Base and Wallplate**

**Fig. 2. T874 Thermostat accessories.**

**Table 3. T874 Thermostat Specifications.**

Models and Options	Replaces	Applications	System Stages			Anticipation			
						Heating (Adj)		Cooling (Fixed)	
			Heat	Cool	Other	Stage 1	Stage 2	Stage 1	Stage 2
T874A—Standard and TRADELINE®. — 72°F/78°F (22°C/26°C) setpoint stops with locking cover. — Adjustable anticipator set 0.4A. — Adjustable locking temperature stops (TRADELINE®). — 72°F/78°F (22°C/26°C) setpoint stops with locking cover, no thermometer (for DoD <sup>a</sup> ).	T872A	Standard	1	1	—	0.1-1.2A	—	0-1.5A	—
T874B—Standard and TRADELINE.	T872B	Standard	1	2	—	0.1-1.2A	—	0-1.2A	0-1.0A
T874C—Standard and TRADELINE. — 72°F/78°F (22°C/26°C) set stops with locking cover, no thermometer (for DoD <sup>a</sup> ). — 12°F (7°C) differential between H1 and H2 stages (T874C1125). — Fast cycling.	T872C	Standard	2	1	—	0.1-1.2A	0.1-1.2A	0-1.5A	—
T874D—Standard and SUPER TRADELINE®. — Adjustable locking temperature stops (SUPER TRADELINE).	T872D	Standard	2	2	—	0.1-1.2A	0.1-1.2A	0-1.2A	0-1.0A
T874E—Standard and TRADELINE.	T872E	2-Stage Cool	—	2	—	—	—	0-1.2A	0-1.0A
T874F—Standard and TRADELINE. — Locking cover.	T872F	2-Stage Heat	2	—	—	0.1-1.2A	0.1-1.2A	—	—

<sup>a</sup> Department of Defense.

<sup>b</sup> Changeover stage operates with heating.

<sup>c</sup> Fixed voltage type anticipation.

<sup>d</sup> Changeover stage operates with heating; a secondary changeover is provided in cooling switch.

<sup>e</sup> Provides night setback used with standard T874 and timer-operated remote switching.

<sup>f</sup> Manual changeover stage—use Q674B,L subbase.

<sup>g</sup> Changeover stage operates with cooling.Q674 Subbases

— Fast cycling.		Electric Heat				0.12-0.6A	0.12-0.6A		
T874G—Heat pump, cool changeover, with fast cycling. — Fixed anticipator for H2. — Fast cycling.	T872G	Heat Pump or Standard	2	1	1 <sup>b</sup>	0-1.0A <sup>c</sup>	0.1-1.2A 0.1-1.5A 0.12-0.6A	0-1.0A	—
T874H—Use with Q674C.	T872H	Heat Pump or Standard	1	1	1 <sup>b</sup>	0-1.0A <sup>c</sup>	—	0-1.0A	—
T874J—Heat pump.	None	Heat Pump	2	1	2 <sup>d</sup>	0-1.0A <sup>e</sup>	0-1.5A <sup>c</sup>	0-1.0A <sup>c</sup>	—
T874K—Heat pump.	None	Heat Pump	2	1	1 <sup>b</sup>	0.1-1.2A	0-1.5A <sup>c</sup>	0-1.5A	—
T874L—Heat pump.	None	Heat Pump	2	1	—	0.1-1.2A	0.1-1.2A	0-1.5A	—
T874N—Heat pump, heat changeover.	T872N	Heat Pump	2	1	1 <sup>b</sup>	0.1-1.2A	0.1-1.2A	0-1.0A	—
T874P—Heat pump.	None	Heat Pump	2	1	—	0.1-1.2A	0.1-1.2A	0-1.5A	—
T874Q—Night setback heating.	T872Q	Standard	1 <sup>e</sup>	—	—	0.1-1.2A	—	—	—
T874R—Heat pump.	T872R	Heat Pump <sup>f</sup>	2	1	—	0-1.5A <sup>c</sup>	0.1-1.2A	0-1.5A	—
T874S—Two-speed compressor heat pump.	None	Heat Pump	2	2	1 <sup>g</sup>	0-1.2A <sup>c</sup>	0-1.2A <sup>c</sup>	0-1.2A	0-1.0A
T874V—Standard.	None	Standard	—	1	—	—	—	0-1.5A	—
T874W—Heat pump and standard. — Night setback heating.	T872W	Heat Pump or Standard	3	2	—	0-1.2A <sup>b</sup>	0-1.2A <sup>c,d</sup>	0-1.2A	0-1.0A

- <sup>a</sup> Department of Defense.
- <sup>b</sup> Changeover stage operates with heating.
- <sup>c</sup> Fixed voltage type anticipation.
- <sup>d</sup> Changeover stage operates with heating; a secondary changeover is provided in cooling switch.
- <sup>e</sup> Provides night setback used with standard T874 and timer-operated remote switching.
- <sup>f</sup> Manual changeover stage—use Q674B,L subbase.
- <sup>g</sup> Changeover stage operates with cooling.Q674 Subbases

**Models:**

See Table 4.

**Mounting:** Designed to mount horizontally on an outlet box or the wall. Adapter plate assembly available for mounting on a vertical outlet box (see Subbase Accessory).

**Electrical Ratings:**

Switch Contacts: 2.5A at 30 Vac (7.5A inrush).  
LED Lights (Optional): 30 Vac.

**Finish:** Dark brown or gray.

**Switches:** Two slide switches (one switch on Q674G and K; no switches on Q674D) operated by levers. Switch position is shown on scaleplate.

**Dimensions in in. (mm):** 3-1/2 (89)height; 5-5/8 (143) width; 5/16 (8) depth. See Fig. 1.

**Table 4. Q674 Subbase Specifications.**

Models and Options	Replaces	Application	Switch Positions		Use With
			System	Fan	
Q674A—Standard and TRADELINE®. — Indicator LEDs.	Q672A	Standard	HEAT-AUTO-COOL	AUTO-ON	T874A-D
Q674B—Standard and TRADELINE. — Provision for fan relay operation from external fan switch (isolate G terminal). — Indicator LEDs.	Q672B	Standard	HEAT-OFF-COOL	AUTO-ON	T874A-D
		Heat Pump	OVERVERRIDE-HEAT-OFF-COOL	AUTO-ON	T874G,H,L,R T874P
Q674C—Standard and TRADELINE. — Indicator LEDs.	Q672C	Standard	OFF-AUTO	AUTO-ON	T874A-H,W
		Heat Pump	OVERVERRIDE-AUTO-OFF	AUTO-ON	T874K,L,N T874P
Q674D—Standard and TRADELINE. — For use when subbase switching is not required.	Q672D	Standard	None	None	T874A-F

Q674E—Standard and TRADELINE.	Q672E	Standard	OFF-HEAT-AUTO-COOL	AUTO-ON	T874A-D
Q674F—Two LED models. — EM.HT. light. — Provision for AUTO fan operation in EM.HT.	Q672F	Heat Pump	OFF-EM.HT.-HEAT-AUTO-COOL	AUTO-ON	T874C,D,G,N,S
			OFF-COOL-AUTO-HEAT-EM.HT.	AUTO-ON	
Q674G—O and B terminals.	Q672G	Standard	OFF-AUTO	None	T874A-F
Q674J—Provision for AUTO fan operation in EM.HT. — Provision for outdoor thermistor.	Q672J	Heat Pump	EM.HT.-AUTO-OFF	AUTO-ON	T874A,D,G,J
			EM.HT.-ON-OFF	AUTO-ON	
			SUPL.HT.-ON-OFF	AUTO-ON	
Q674K—Standard.	Q672K	Standard	OFF-HEAT-AUTO-COOL	None	T874F
			OFF-WOOD-WOOD/OIL-OIL	None	
Q674L—Provision for AUTO fan operation in EM.HT. — Indicator LEDs.	Q672L	Heat Pump	EM.HT.-HEAT-OFF-COOL	AUTO-ON	T874R,W
			SUPL.HT.-HEAT-OFF-COOL	AUTO-ON	
Q674N—Standard.	Q672N	Evaporative Cooler	EVAP-COOL-OFF-HEAT	AUTO-ON	T874C
Q674P—Standard.	Q672P	Heat Pump	SUPL.HT.-HEAT-COOL	AUTO-ON	T874G
Q674Q—Standard.	None	Fan Coil	HEAT-OFF-COOL	LO-MED-HI-ON	T874A
Q674R—Standard. — International symbols.	None	Fan Coil	OFF-COOL	LO-HI-CONT.	T874V
Q674S—Indicator LED.	None	Standard	HEAT-COOL	None	T874C

**Optional Specifications (Q674 Only):**

Models available with up to four LEDs; for example, LEDs can show EM. HT, AUX. HT, SERVICE, CHECK, FILTER, and LOCKOUT. See Fig. 3.

System switching marked HEAT-OFF/RESET-COOL for systems requiring impedance relay reset. Available on Q674B only.

G terminal isolated on heating to provide fan relay operation from external low voltage fan switch (Q674B only).

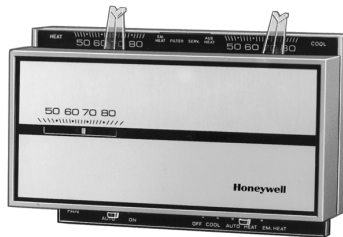
Auto fan operation on both heat and cool.

L terminal is used for system monitoring devices.  
Common R terminal for heating/cooling.  
Changeover in cool or heat mode for heat pumps.  
Auto fan in EM.HT. for heat pumps.

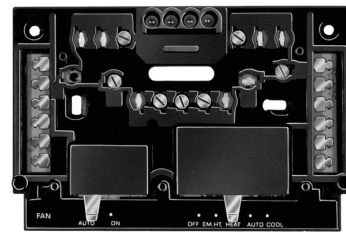
**Subbase Accessory:** 193121A Adapter Plate Assembly for mounting on vertical outlet box. Assembly includes adapter ring and cover plate. Use to cover wall marks from replaced thermostat.



**T874 Thermostat with One Setpoint Lever**



**T874 Thermostat with Separate Heating and Cooling Levers**



**Q674 Subbase with Four LEDs**

**Fig. 3. Heating, cooling levers and system LED indicators.**



## MERCURY NOTICE

This control contains mercury in a sealed tube. Do *not* place control in the trash at the end of its useful life.

If this control is replacing a control that contains mercury in a sealed tube, do *not* place your old control in the trash.

Contact your local waste management authority for instructions regarding recycling and the proper disposal of this control, or of an old control containing mercury in a sealed tube. If you have questions, call the Honeywell Customer Response Center at 1-800-468-1502.

## INSTALLATION

### When Installing this Product...

1. Read these instructions carefully. Failure to follow them could damage the product or cause a hazardous condition.
2. Check the ratings given on the product to make sure the product is suitable for your application.
3. Installer must be a trained, experienced service technician.
4. After installation is complete, check out product operation as provided in these instructions.



## CAUTION

**Hazardous Voltage.**

**Can damage heating/cooling system.**

1. Disconnect power supply before beginning installation to prevent electrical shock or equipment damage.
2. Do *not* short across coil terminals on relay. This can burn out thermostat heat anticipator.
3. To prevent interference with the thermostat linkage, keep wire length to a minimum and run wires as close as possible to the subbase.
4. Do *not* overtighten thermostat captive mounting screws because damage to subbase threads can result.

### IMPORTANT

*An incorrectly leveled thermostat will cause the temperature control to deviate from setpoint. It is not a calibration problem.*

### Location

Install the thermostat about 5 ft (1.5m) above the floor in an area with good air circulation at average temperature.

Do not mount the thermostat where it can be affected by:

- drafts or dead spots behind doors, in corners or under cabinets.
- hot or cold air from ducts.
- radiant heat from the sun, fireplace, or appliances.

— concealed pipes and chimneys.

— unheated (uncooled) areas such as an outside wall behind the thermostat.

### Mount Subbase

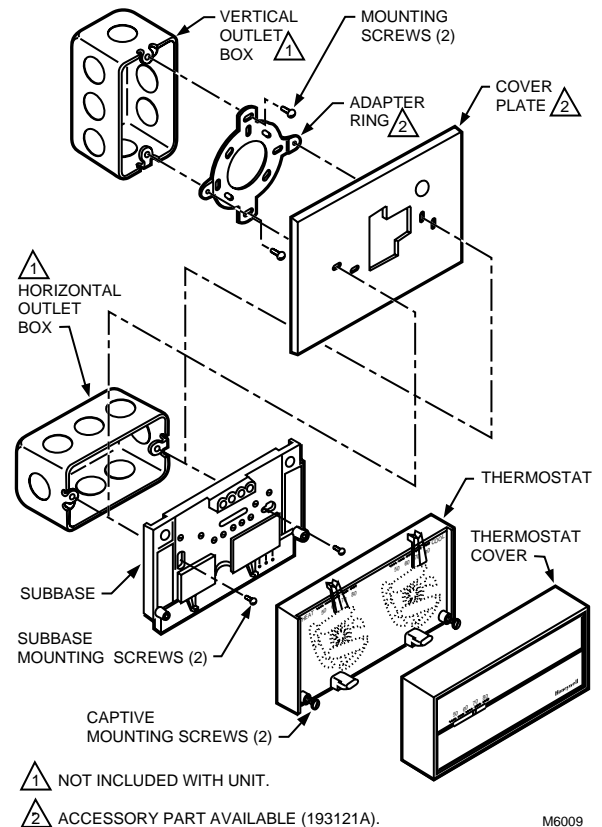
The subbase can be mounted on a vertical outlet box, horizontal outlet box or directly on the wall.

1. If the subbase is mounted on a vertical outlet box, order Honeywell part no. 193121A Adapter Assembly. See Fig. 4. The assembly includes an adapter ring, two screws and a cover plate to cover marks on the wall. Install the ring and cover plate on the vertical outlet box.

**NOTE:** For a wall installation, hold subbase in position and mark holes for anchors. See Fig. 5. Wall anchors must be obtained from local hardware store. Be careful that the wires do not fall back into the wall opening. Set aside subbase. Drill four 3/16 in. (4.8 mm) holes and gently tap anchors into the holes until flush with the wall.

2. Pull wires through the cover plate (if used) and subbase cable opening. See Fig. 6.
3. Secure the cover plate (if used) and subbase with the screws provided. Do not fully tighten the subbase screws.

Level the subbase using a spirit level, see Fig. 7, and firmly tighten subbase mounting screws. The subbase mounting holes provide for minor out-of-level adjustments.



**Fig. 4. Installing Q674 Subbase on outlet box.**

M6009

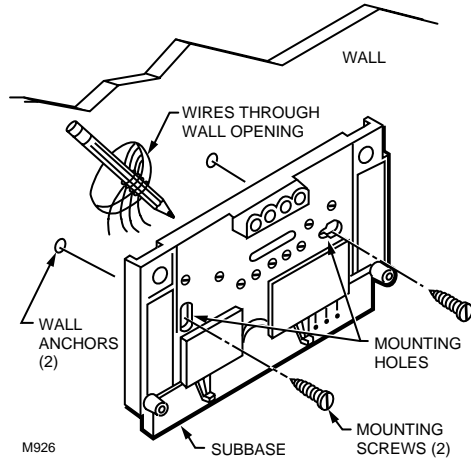


Fig. 5. Installing Q674 Subbase on wall.

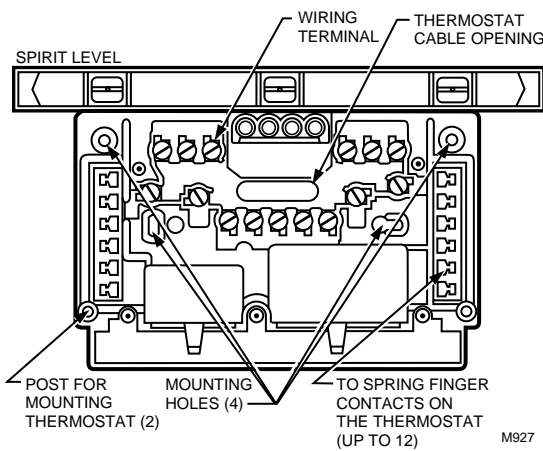


Fig. 6. Subbase components and leveling procedure.

## Wire Subbase

Disconnect power supply before beginning installation to prevent electrical shock or equipment damage.

All wiring must comply with local electrical codes and ordinances.

### IMPORTANT

Use 18 gauge, solid-conductor wire whenever possible. If using 18 gauge stranded wire, no more than 10 wires can be used. Do not use larger than 18 gauge wire.

Follow equipment manufacturer wiring instructions when available. To wire subbase, proceed as follows:

1. Connect the system wires to the subbase as shown in the applicable diagram. A letter code is located near each terminal for identification. Typical terminal designation and wiring connections are listed in Table 5. The terminal barrier permits straight or wraparound wiring connection. See Fig. 7. The subbase can require one or more jumpers that may or may not be factory-supplied. See Fig. 8 and the wiring diagrams for specific terminals to be jumpered.

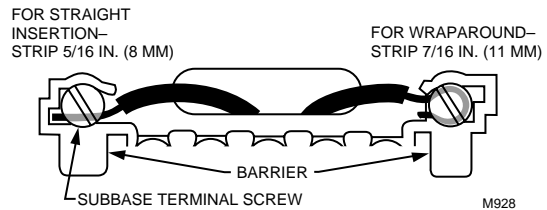


Fig. 7. Barrier configuration.



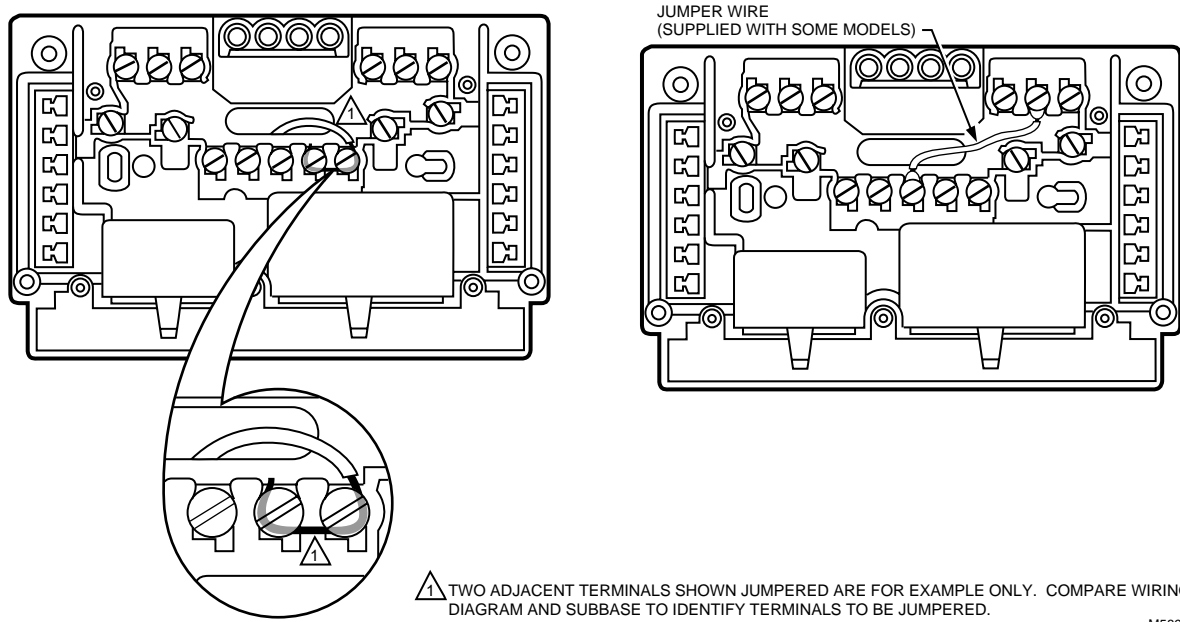
## CAUTION

### Equipment Damage Hazard.

Never install more than one wire per terminal unless using factory-supplied jumper with spade terminal.

2. Firmly tighten each terminal screw.
3. Fit wires as close as possible to the subbase. Push excess wire back into the hole.
4. Plug hole with nonflammable insulation to prevent drafts from affecting the thermostat.





**Fig. 8. Jumper adjacent terminals for special system hookup using stripped wire 3/4 in. (19 mm). For nonadjacent terminals and using jumper wire supplied with subbase.**

**Table 5. Terminal Designations<sup>a</sup>**

Standard Terminal Designation	Alternate Designations or Customer Specials	Typical Connection
B		Heating damper motor; changeover valve
E	K	Emergency heat relay
G	F	Fan relay coil
L		System monitor
O	R	Cooling damper motor; changeover valve
R	V	Power connection to transformer (internally connected for heating and cooling)
RC		Power connection to cooling transformer
RH		Power connection to heating transformer
W1	H1, R3	Stage 1 heating control
W2	H2, Y, R4	Stage 2 heating control
W3		Stage 3 heating control <sup>b</sup>
Y1	C1, M	Stage 1 cooling control
Y2	C2	Stage 2 cooling control
Y3		Stage 3 cooling control
X	X1,X2,C	Clogged filter switch or common connection
T	A	Outdoor thermistor
	L, C, H	HSII control panel
	P	Defrost
	O	Momentary circuit, changeover
	A, A1, A2, Z, C, L	LEDs

<sup>a</sup> Other terminal designations can be used that are not listed on this table. Refer to the hookup drawing and internal schematic for exact connections.

<sup>b</sup> W3 controls the auxiliary heat like W2, and allows adding additional stages of auxiliary heat with outdoor thermostats while maintaining the proper second stage anticipation.

**Table 5. Terminal Designations<sup>a</sup>**

Standard Terminal Designation	Alternate Designations or Customer Specials	Typical Connection
	T	External temperature readout, T relay
	R1, R2	LO and HI speed fan relays
	RS	Cooling contactor
Y	M	Compressor contactor

<sup>a</sup> Other terminal designations can be used that are not listed on this table. Refer to the hookup drawing and internal schematic for exact connections.

<sup>b</sup> W3 controls the auxiliary heat like W2, and allows adding additional stages of auxiliary heat with outdoor thermostats while maintaining the proper second stage anticipation.

## Outdoor Disconnect

The National Electrical Code requires the installation of a disconnect switch *within* sight of the outdoor unit of an air conditioner or heat pump. The switch is for the safety of any technician working on the unit. The technician can assure that the unit *remains* unpowered.

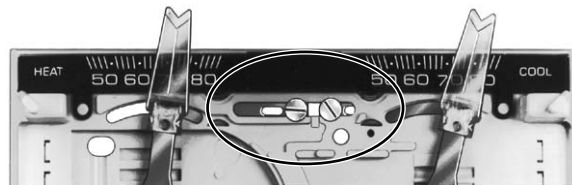
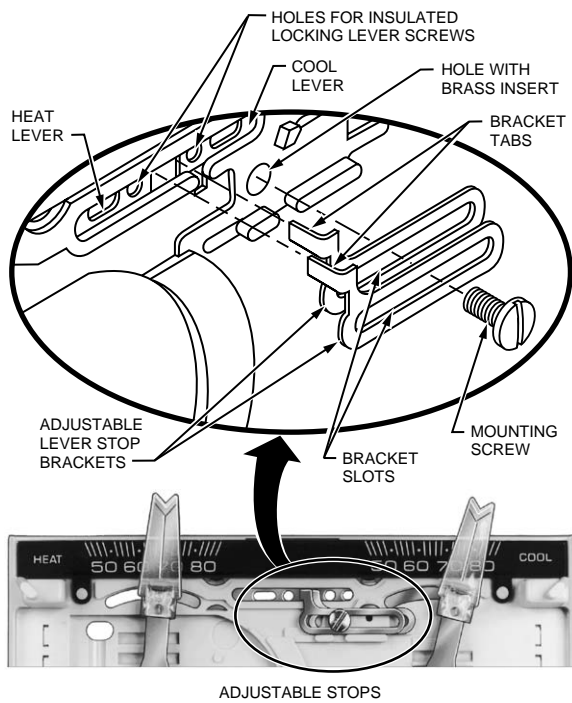
## Install and Adjust Stop Brackets

The stop brackets should be installed only if there is a need to restrict the adjustable range of the heating and cooling temperature setpoint levers. If adjustable lever stops are desired, order 4074ECK Envelope Assembly, which contains two adjustable lever stop brackets, one brass insert, one

mounting screw and two locking screws with insulated heads. When installed, the stop brackets limit the movement of the T874 HEAT and COOL levers.

### TO INSTALL:

1. Remove the thermostat cover by pulling the bottom edge of the cover upward until it snaps free of the mounting slots.
2. Turn to the back of the T874 Thermostat. Locate the hole for the brass insert in the plastic base below the LED window.
3. Push the brass insert into the hole with finger.
4. Turn to the front of the T874 Thermostat.
5. Place the two stop brackets in position with the tabs in the slot between the HEAT and COOL levers. See Fig. 9.



ADJUSTABLE LOCKING LEVERS



NONADJUSTABLE STOPS WITH LOCKING LEVER SCREWS  
75°F (24°C) MAX. HEAT  
75°F (24°C) MIN. COOL



NONADJUSTABLE D.O.D. STOPS  
72°F (22°C) MAX. HEAT  
78°F (26°C) MIN. COOL

M7626

**Fig. 9. Range limiting and lever locking methods.**

6. Insert the mounting screw into the two slots in the stop brackets and attach to the brass insert. Tighten the screw to pull the brass insert into the back of the thermostat.

7. Loosen the mounting screw enough to free the stop brackets for adjustment.

8. Move the HEAT and COOL levers to the maximum temperature desired.
9. Slide the stop brackets until one rests against the HEAT lever and the other against the COOL lever.
10. Firmly tighten the mounting screw.
11. If the HEAT and COOL levers are to be locked in place at a specific temperature, use the two insulated head screws supplied instead of the two adjustable lever stop brackets.

## CAUTION

### Equipment Damage Hazard.

Do *not* use standard screws that provide metal-to-metal contact with the stop brackets. Short circuit and potential equipment damage can result.

## Mount Thermostat

1. Remove the thermostat cover by pulling the bottom edge of the cover away from the base until it snaps free of the cover clip.

NOTE: The cover is hinged at the top and must be removed by pulling up at the bottom.

2. Carefully remove and discard the polystyrene packing insert that protects the mercury switches during shipment.
3. If LED indication (EM.HT., CHECK, etc.) is to be used with the Q674 Subbase, install the preprinted insert under the thermostat setpoint scale. To install, push both thermostat setpoint levers to the far ends of the thermostat. Use index finger to gently pull out the plastic setpoint scale about 1/4 in. (6 mm). Position the desired preprinted insert in the space above the LED lights. Reposition setpoint levers.
4. Turn over the thermostat base and note the spring fingers that engage the subbase contacts. Make sure the spring fingers are *not* bent flat, preventing proper electrical contact with the subbase.
5. Set the heat anticipator indicator(s) to the respective current setting of each stage. See Set The Heat Anticipator section.
6. If the thermostat provides optional locking cover assembly, start the Allen locking screws in the cover with the wrench provided. See Fig. 10.
7. Note the two tabs along the top inside edge of the thermostat base. The tabs fit into corresponding slots on top of the subbase. Mount the thermostat on the subbase.
8. Align the two captive mounting screws in the thermostat base with the posts on the subbase. Tighten both screws. Do *not* overtighten screws or damage to subbase posts can result.

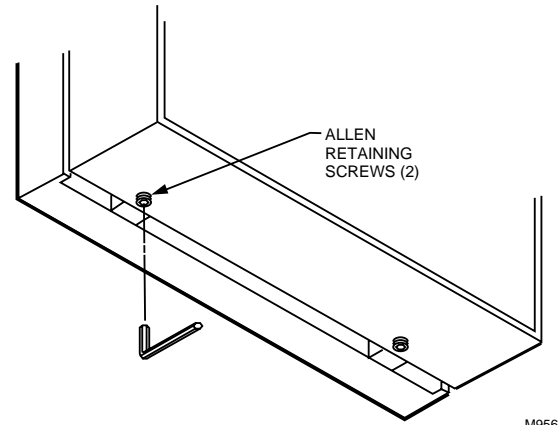


Fig. 10. Installation of locking cover assembly.

## SETTINGS

## CAUTION

### Equipment Damage Hazard.

On systems using a gas valve, never apply a jumper across the valve coil terminals, even temporarily. This can burn out thermostat heat anticipator(s).

## Set the Heat Anticipator

Move the indicator to match the primary control current draw. When using a T874 Thermostat with two stages of heating, set each heat anticipator to match its respective primary control current draw. If you cannot find the current rating on the primary control, or if further adjustment is necessary, see NOTE and use the following procedure to determine the current draw of each stage.

The current draw of each heating stage must be measured with the thermostat removed and power on to the heating system.

1. Connect an ac ammeter of appropriate range between the heating terminals of the subbase:
  - a. Stage 1—between W1 and RH or R;
  - b. Stage 2—between W2 and RH or R
  - c. Stage 3—between W3 and RH or R.
2. Move the system switch to HEAT or AUTO.
3. After one minute, read the ammeter and record the reading:
  - a. Stage 1—\_\_\_\_\_A;
  - b. Stage 2—\_\_\_\_\_A;
  - c. Stage 3—\_\_\_\_\_A.

NOTE: If equipment cycles too fast, set the indicator to a higher current rating, but not more than one-half division at a time, and recheck the cycle rate. Most conventional two-stage heating equipment is designed to operate at three cycles per hour per stage, and one-stage heating equipment at six cycles per hour, at 50 percent load conditions. When using the T874 Thermostat in heat pump systems, set the heat anticipator at 140 percent of the actual primary control current draw to reduce the cycling rate. See Fig. 11.

Most heat pump systems should cycle 2-1/2 to 3 times per hour.

4. Hang the upper edge of the thermostat cover on top of the thermostat base and swing the cover downward until it engages with the cover clip.

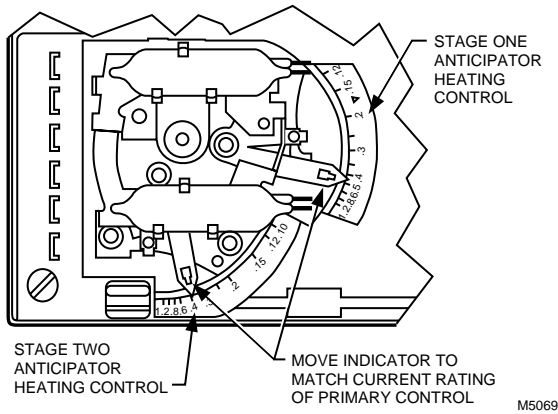


Fig. 11. Adjustable heat anticipator scales.

## Temperature Setting

Move the heating and cooling levers to the desired comfort positions. See Fig. 12. On some models with two stages of heating or cooling, the same lever controls both stages. The minimum differential between heating and cooling setpoints is 4°F (2°C) (5°F [3°C]) on T874W.

If model has optional screws to lock temperature control levers, loosen these screws before making temperature adjustment; tighten the screws when levers are set at desired position.

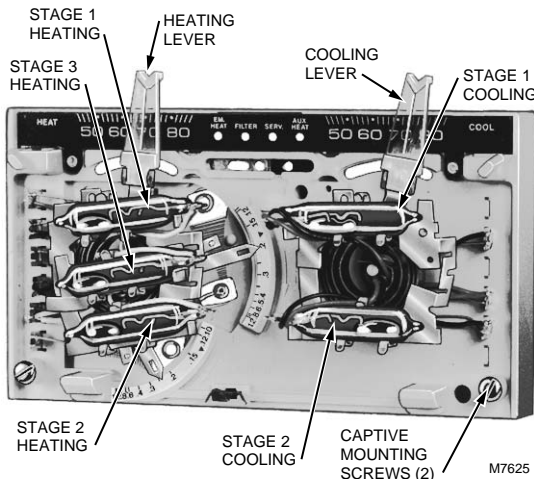


Fig. 12. Internal view of T874W (three stages of heating, two stages of cooling).

## Subbase Setting

The subbase switching positions control the system operation as described below.

### SYSTEM SWITCH (see subbase for positions):

OFF—both the heating and cooling systems are off. If the fan switch is at the AUTO position, the cooling fan is also off.

- HEAT—heating system is automatically controlled by the thermostat. Cooling system is off.
- AUTO—thermostat automatically changes between heating and cooling system operation, depending on the indoor temperature.
- COOL—cooling system is automatically controlled by the thermostat. Heating system is off.
- EM.HT.—emergency heat relay is automatically controlled by the thermostat. Cooling system is off. Compressor is de-energized.
- SUPL.HT.—supplemental heat relay is energized. Cooling system is off. Compressor is de-energized.
- WOOD—heating system is operating with only the wood-burning stage.
- OIL—heating system is operating with only the oil-burning stage.
- WOOD/OIL—wood and oil stages operate sequentially; first the WOOD stage operates, then the OIL stage operates if the WOOD stage cannot handle the load.
- EVAP—controls cooling system by water evaporation; see equipment instructions for further information.
- OVERRIDE—night setback is disabled.
- ON—heating system is controlled by the thermostat. EM. HT. or SUPL. HT. relay is not energized.

### FAN SWITCH positions control fan operation as follows:

- ON or CONT.—fan operates continuously.
- AUTO—fan operates as controlled by the thermostat in heat pump systems or conventional cooling mode; fan operates as controlled by the plenum switch in conventional heating mode.
- LO—fan operates constantly at low speed.
- MED—fan operates constantly at medium speed.
- HI—fan operates constantly at high speed.

To move the subbase switches to the desired control positions, use thumb and index finger to slide the lever. The lever must stop over desired function indicator position for proper circuit operation.

Spring return momentary position switching feature is available on selected subbase models. On these models, the fan switch is positioned to the right of the system switch. By moving the fan switch to the far right and releasing it, the ON position circuit makes. The lever springs back on release. This position is not marked on the subbase.

## Setting the Adjustable Differential

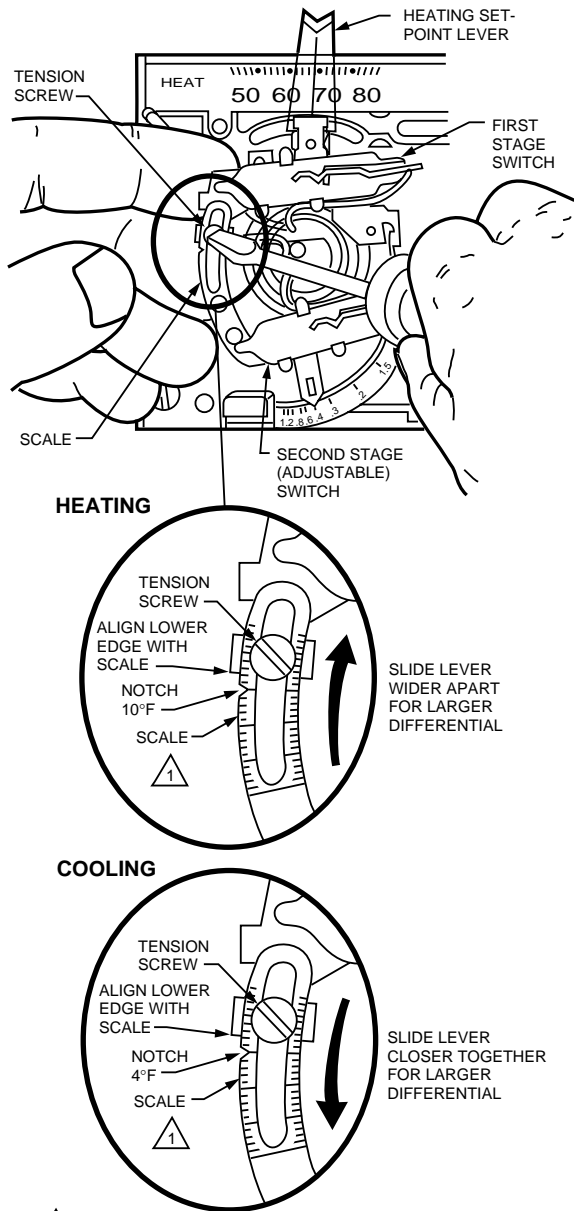
The adjustable interstage differential feature, on a selected T874D model only, can be identified by the scale and tension screw near the heating and cooling mercury switches. See Fig. 13. On this model, the number of degrees between the making of the first and second stage mercury bulbs is adjustable. This feature is especially useful if the first stage controls the comfort temperature, and the second stage controls the energy savings temperature. Timers, such as the S6005, for insertion between the first and second stage control points must be ordered separately.

Each mark on the scale represents 1°F (0.6°C) The differential is factory set at 2°F (1°C) the differential can be set as high as 12°F (7°C) To set the adjustable interstage differential, loosen the tension screw. See Fig. 13. Slide the adjustable scale to align with the number of degrees desired between stages. Use the lower edge of the tension screw bracket as a guide for alignment. In heating, slide the lever wider apart for a larger differential, or closer together for a

smaller differential. In cooling, slide the lever *closer* together for a *larger* differential, or *wider* apart for a *smaller* differential. While supporting the scale with hand, tighten the tension screw.

**IMPORTANT**

Support the scale with hand while tightening tension screw. See Fig. 13. Failure to do so can result in twisting and damaging bimetal coil.



△ EACH MARK ON THE SCALE REPRESENTS 1°F (0.6°C).

M937

Fig. 13. Set adjustable interstage differential.

**! CAUTION**

**Equipment Damage Hazard.**

When the thermostat is used to control a two-stage heating or cooling system, the second stage mercury bulb must never make before the first stage bulb, or severe equipment damage could result. To prevent this problem, provide at least 2°F (1°C) differential between stage-one and stage-two make points. Example: in heating, if stage-one makes at 70°F (21°C) stage-two should make at 68°F (20°C) or lower.

**Verify the Adjustment**

**Heating**

Start with the heating setpoint lever all the way to the left. Slowly move the lever to the right, just until the first stage bulb makes (mercury rolls to the right side of the bulb). Note the setting on the temperature scale. Slowly move the lever to the right until the second stage bulb makes. Note the setting on the temperature scale. The difference between the two temperatures is the *interstage differential*, which should match the number set on the scale with the tension screw.

**Cooling**

Start with the cooling setpoint lever all the way to the right. Slowly move the lever to the left, just until the first stage bulb makes (mercury rolls to the left side of the bulb). Note the setting on the temperature scale. Slowly move the lever to the left until the second stage bulb makes. Note the setting on the temperature scale. The difference between the two temperatures is the *interstage differential*, which should match the number set on the scale with the tension screw.

**CHECKOUT**

**Heating**

Move the system switch on the Q674 Subbase to HEAT or AUTO. Move the heat lever on the T874 about 10°F (6°C) above room temperature. See Fig. 12. Heating system should start and the fan should run after a short delay. Move the heat lever about 10°F (6°C) below room temperature. The heating equipment should shut off, and the fan should run for a short time, then shut off.

In heat pump applications, sometimes time delays are involved before the compressor and auxiliary heat are activated. This is due to a minimum-off timer, which prevents the compressor from restarting for five minutes from when the thermostat last turned off the compressor, or from when the system first received power.

**Cooling**

**! CAUTION**

**Equipment Damage Hazard.**

Do not operate cooling if outdoor temperature is below 50°F (10°C). Refer to manufacturer recommendations.

Move the system switch on the Q674 Subbase to COOL or AUTO. Move the cool setting lever on the T874 Multistage Thermostat about 10°F (6°C) below room temperature. See Fig. 12. The cooling equipment and fan should start. If the system has two stages of cooling, both stages should start. Move the cool lever about 10°F (6°C) above room temperature. The cooling equipment and fan should stop.

## Fan

Move the system switch to COOL, OFF, or AUTO. If necessary, position both temperature setting levers so that the heating and cooling equipment are off. Move the fan switch to ON or CONT. The fan should run continuously. When the fan switch is in AUTO, LO, MED, or HI position, fan operation is controlled by the heating or cooling system.

## Outdoor Reset Thermistor (Where Applicable)

If the system is supplied with a thermistor, it must be used; if not used, thermostat performance deviates radically from proper operation.

The proper thermistor operation must be verified to ensure the correct operation of the thermostat. Check thermistor operations as follows:

1. Disconnect the T wire on the subbase.
2. Use an ohmmeter to measure resistance between the T wire and the A subbase terminal.
3. Take outdoor temperature at thermistor location and find the correct thermistor resistance on the Fig. 14 chart.
4. If the resistance measured in step 2 and the calculated resistance in step 3 vary by more than 15 percent, the thermistor requires replacement. Contact Honeywell or installing dealer for replacement packaged outdoor thermistor, part no. C815A1005.

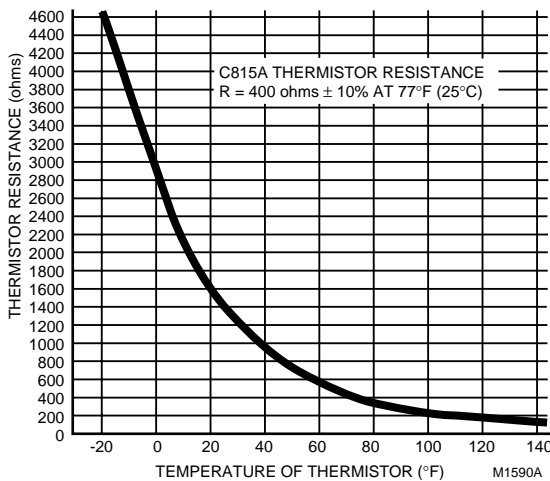


Fig. 14. Thermistor resistance chart.

## CALIBRATION

### Thermostat

T874 Thermostats are accurately calibrated at the factory. They do not have provision for field calibration.

## Thermometer

The thermometer in your thermostat has been accurately calibrated at the factory. The thermometer should only need adjustment if it has been dropped or shifted due to mishandling.

If the setpoint lever and the thermometer reading do not agree, use the following procedure:

1. Remove the thermostat cover by pulling up from the bottom edge of the cover away from the base until it snaps free of the cover clip.
2. Set the thermostat cover on a table near an accurate thermometer.
3. Allow ten minutes for cover thermometer to sense area temperature; compare the readings. Be careful not to touch thermometer or breathe on it.
4. If the readings are the same, replace cover and put the system into operation.
5. If the readings are different, insert a small screwdriver in the thermometer slot and turn it until the thermometers have the same reading. See Fig. 15.
6. Replace thermostat cover and put the system into operation.

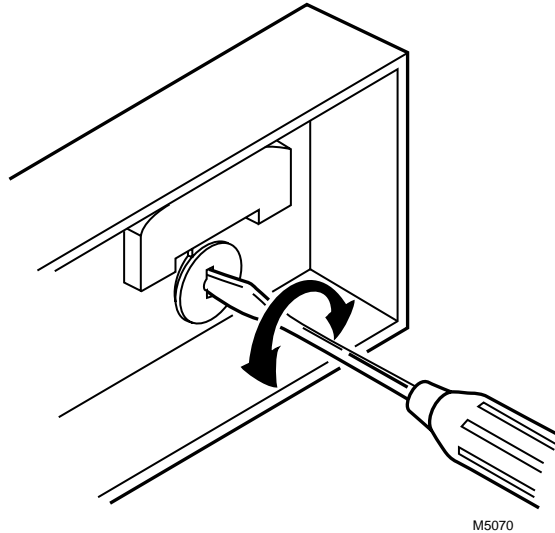


Fig. 15. Thermometer calibration.

## UNDERSTANDING CIRCUITS

To understand wiring diagrams, it is important to know what all the symbols mean and how to trace the path of the circuits from the transformer. See Fig. 16 through 25.

Circuit descriptions and terminology are defined as follows: For standard heating-cooling circuits:

**Auto changeover**—refers to the presence of an AUTO position in the system switching (EX: Q674E with OFF-HEAT-AUTO-COOL switching). The thermostat automatically changes between heat and cool modes as indoor temperature changes.

**Manual changeover**—requires a system switch movement to change mode (EX: Q674B with HEAT-OFF-COOL switching). T874D Multistage Thermostats with 2 heat or 2 cool switches are shown on most standard circuits. Most standard or TRADELINE® subbases (Q674A-E,G) can be used with T874A-F standard or TRADELINE

thermostats. The schematics can be field-modified as required (EX: if T874C is being used, eliminate second stage of heat).

For heat pump circuits:

Cool changeover valve—operates on cooling. The reversing valve or relay is activated either by moving the system switch to COOL (manual changeover) or by a mercury switch that makes on a temperature rise (auto changeover).

Heat changeover valve—operates on heating. The reversing valve or relay is activated either by moving the system switch to HEAT (manual changeover) or by a mercury switch that makes on a temperature fall (auto changeover).

System monitor relay—optional equipment on some heat pumps includes an R4222P1065 or equivalent. This system monitor relay detects a malfunction in the compressor and indicates the malfunction by activating the EMERGENCY HEAT LED on the Q674 Switching Subbase. The system monitor relay is usually wired into the L terminal on the Q674.

Each mercury switch is identified by function:

- H1—Stage 1 Heating.
- H2—Stage 2 Heating.
- H3—Stage 3 Heating.
- C1—Stage 1 Cooling.
- C2—Stage 2 Cooling.
- C3—Stage 3 Cooling.
- C/O—Changeover (heat pumps).

Each anticipator is identified and each switch affected is named (EX: H1 anticipator, C1 anticipator).

All T874 Multistage Thermostats use mercury switches. Each schematic indicates switch operation by being drawn in the open position with an arrow indicating operation with a temperature RISE or FALL.

One circuit has been selected that is typical of various models used with heat pumps. This circuit has been traced to illustrate the functions performed by these control systems.

### Tracing Method:

1. Always begin at the system transformer or R terminal. You may want to draw the switch contacts in each switch position to aid in tracing. Colored pencils are helpful when only one copy of the circuit is available. See Fig. 16 for a description of the hookup symbols and Fig. 17 through 25 for typical hookups.
2. Completely trace only one circuit at a time (for example: heat or cool).
3. Connections are indicated by small dots at the point of intersection. If there is no dot, there is no connection.
4. The left portion of the circuit (the thermostat) contains the mercury switches. The heat switches make on a temperature fall, and the cool switches make on a tem-

perature rise. Fixed anticipation is represented by a zigzag line and adjustable anticipation is a zigzag with an arrow. The resistance of the fixed anticipator is so large it limits current so that a system relay cannot be pulled in from a circuit path going through the fixed anticipator. The relay can be pulled in through an adjustable anticipator because its resistance is generally 0 to 5 ohms.

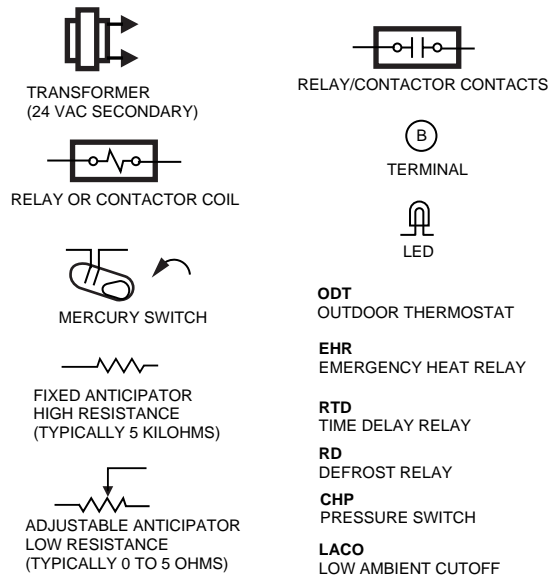
5. The center portion (the subbase) contains the switches. The fan switch is above the system switch. The small circles on the switch represent the maximum possible contacts available on the Q674 Subbase. The larger circles represent the switch positions available on this particular Q674, with the solid circle representing where it is actually switched on the diagram.

NOTE: Solid circles are not interconnected electrically.

At the right, the relays and contactors are shown, attached to the proper terminals. The terminals are represented by large circles with terminal designations in capital letters. See Table 3 for the meaning of each lettered terminal.

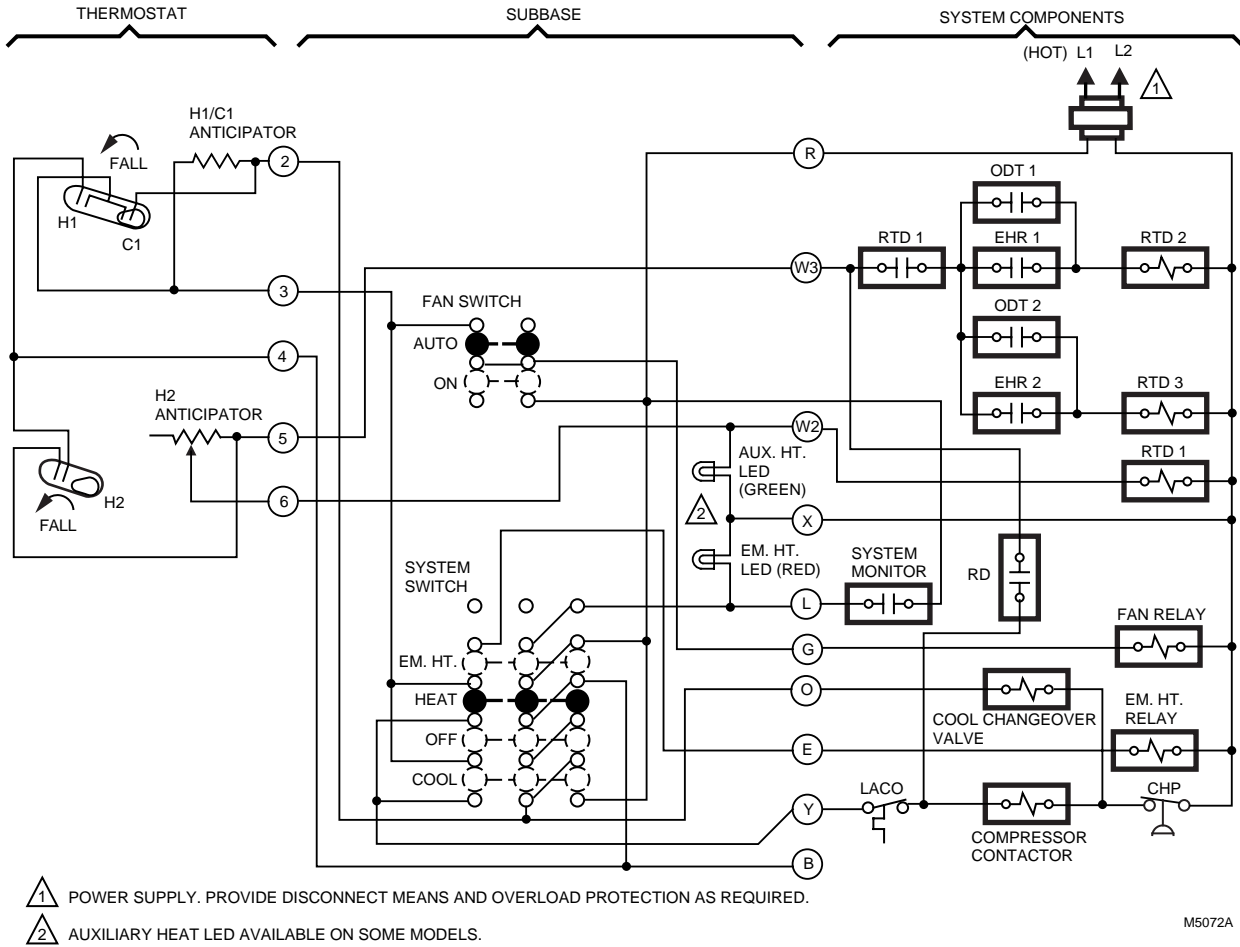
Sometimes power for a fixed anticipator is brought through an off system relay like the changeover relay shown in Fig. 20. This current is kept low by the high resistance of the fixed anticipator so that relay does not pull in.

### KEY TO HOOKUP SYMBOLS



M5848

Fig. 16. Key to hookup symbols.



**Fig. 17. Internal schematic and typical hookup of a T874R Thermostat and Q674L Subbase in a heat pump application. The thermostat provides two-stage heating and one-stage cooling manual changeover operates on cooling.**



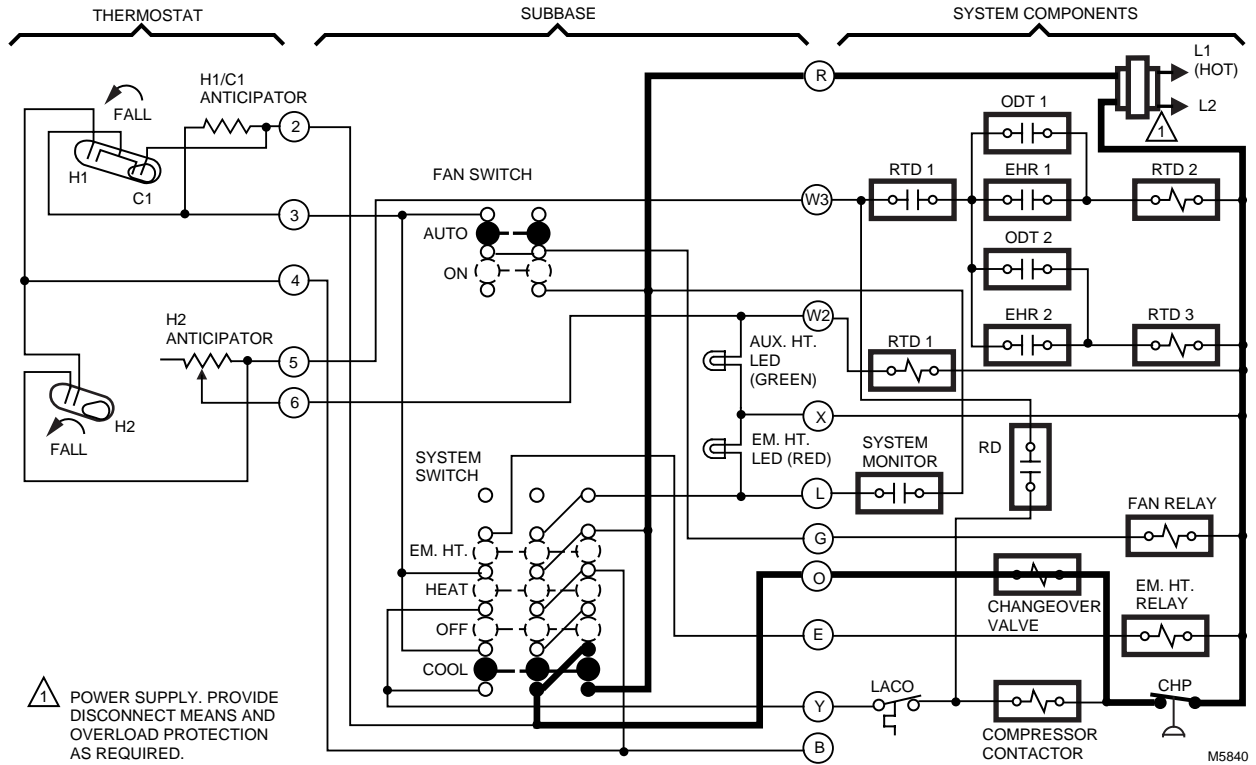


Fig. 18. Tracing the changeover relay circuit.

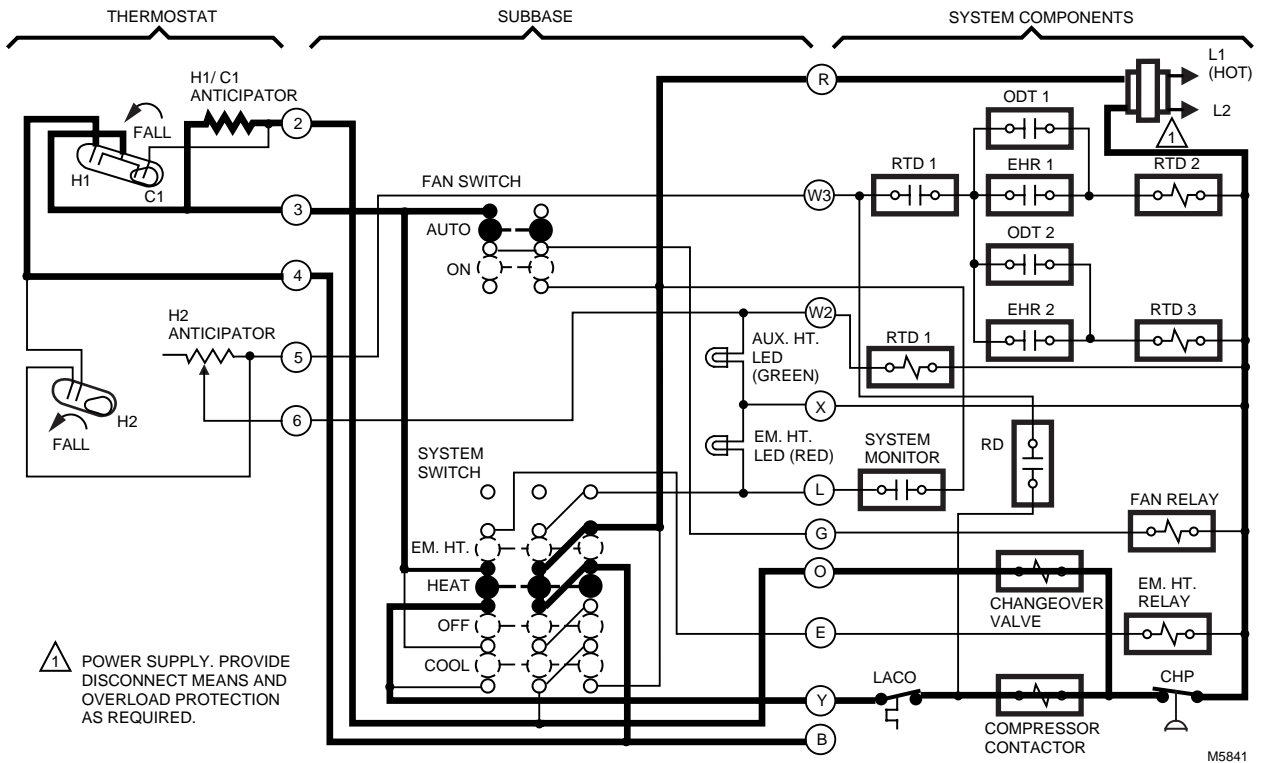


Fig. 19. Tracing the heat 1 and anticipation circuit.

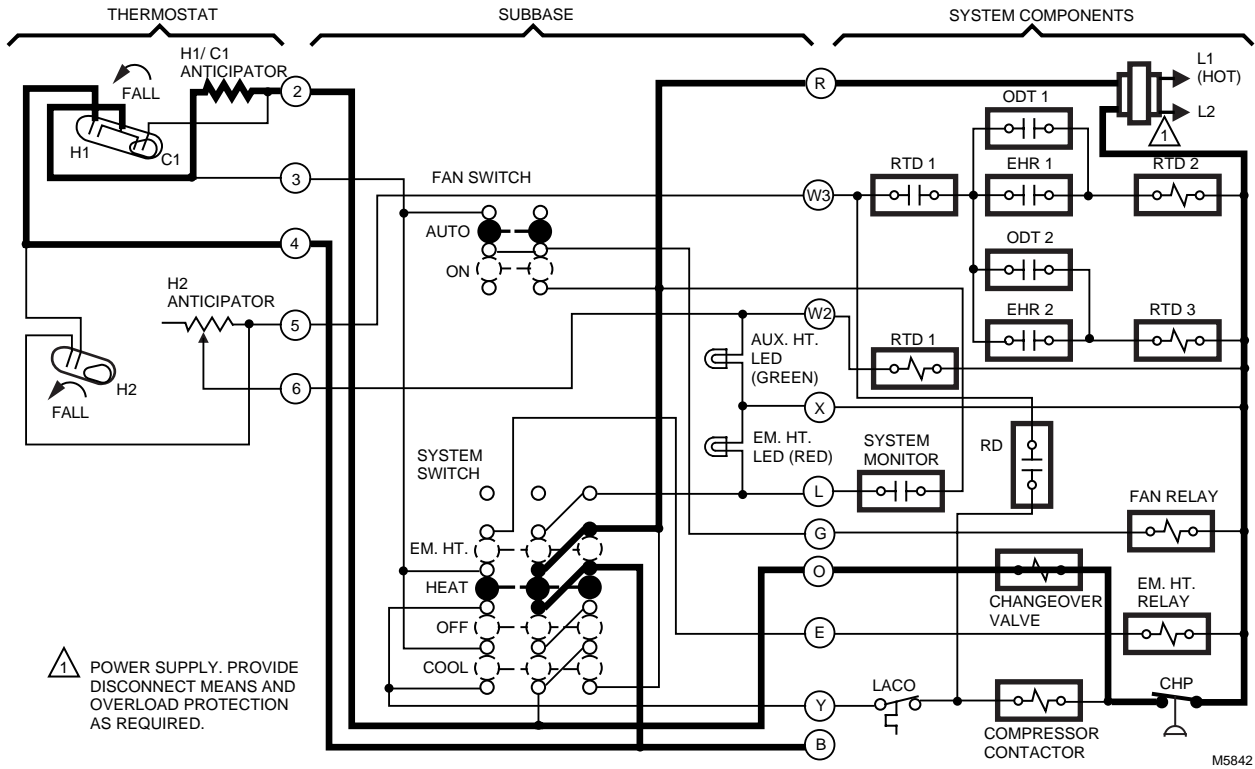


Fig. 20. Tracing the heat 1 anticipation circuit.

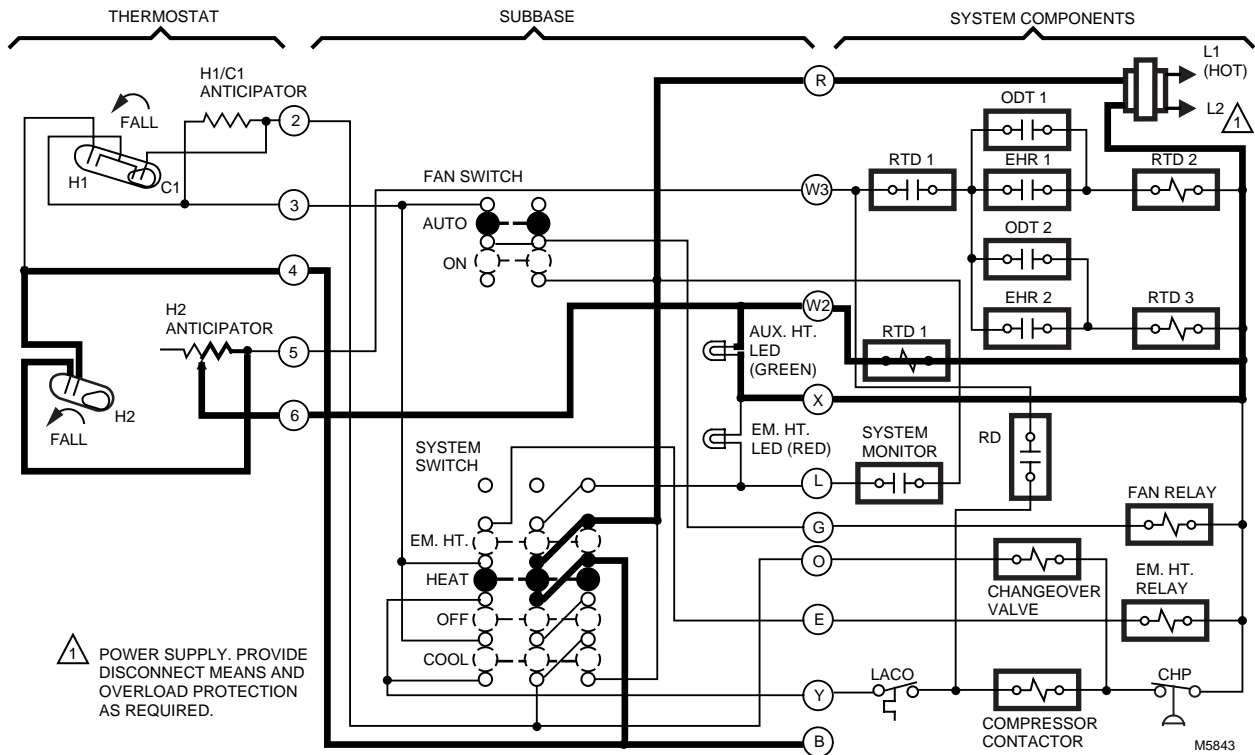


Fig. 21. Tracing the heat 2, anticipation and AUX. HT. LED circuit.

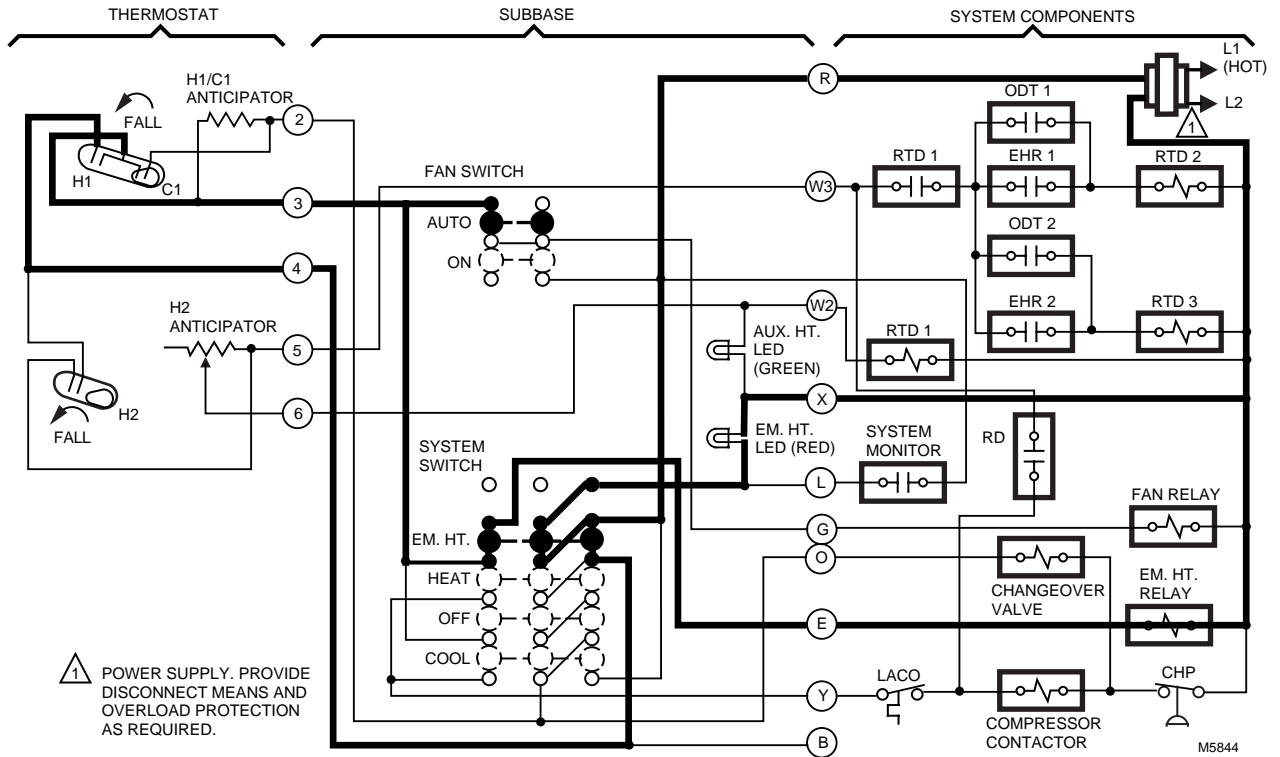


Fig. 22. Tracing the emergency heat and EM. HT. LED circuit.

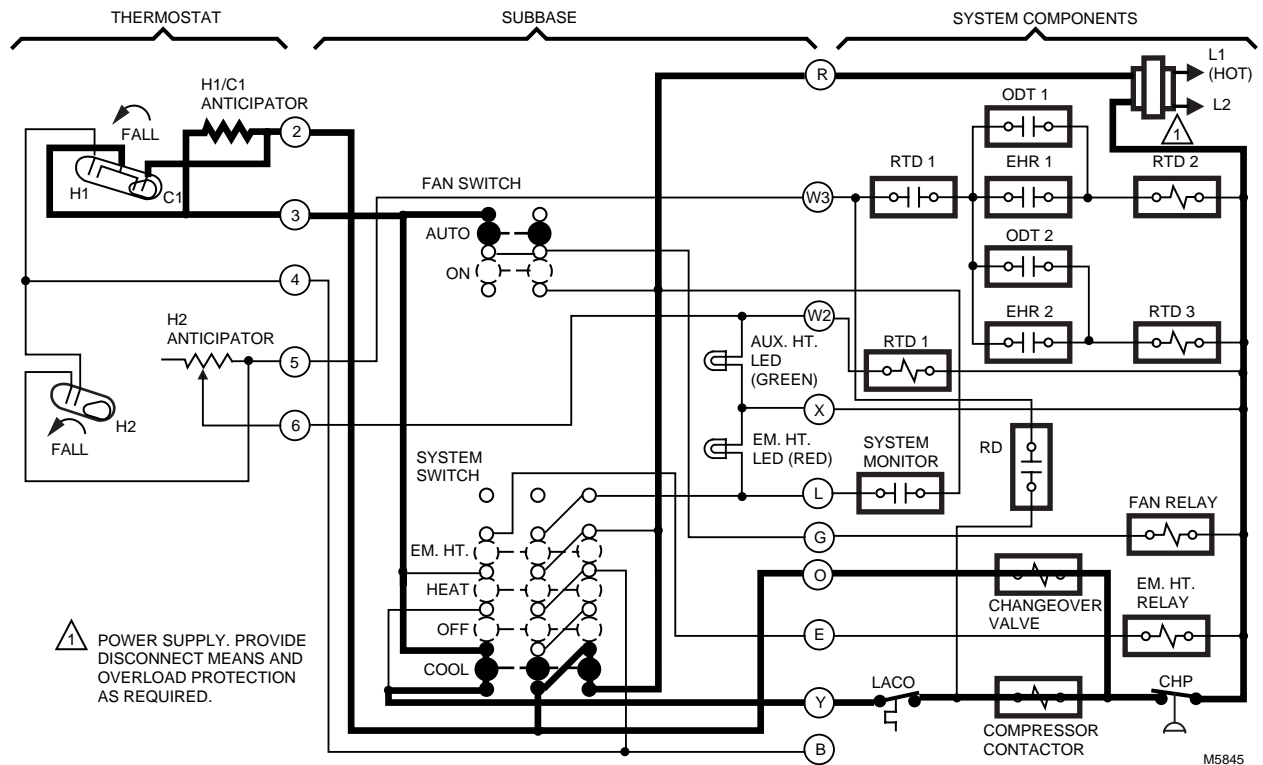


Fig. 23. Tracing the cooling circuit.

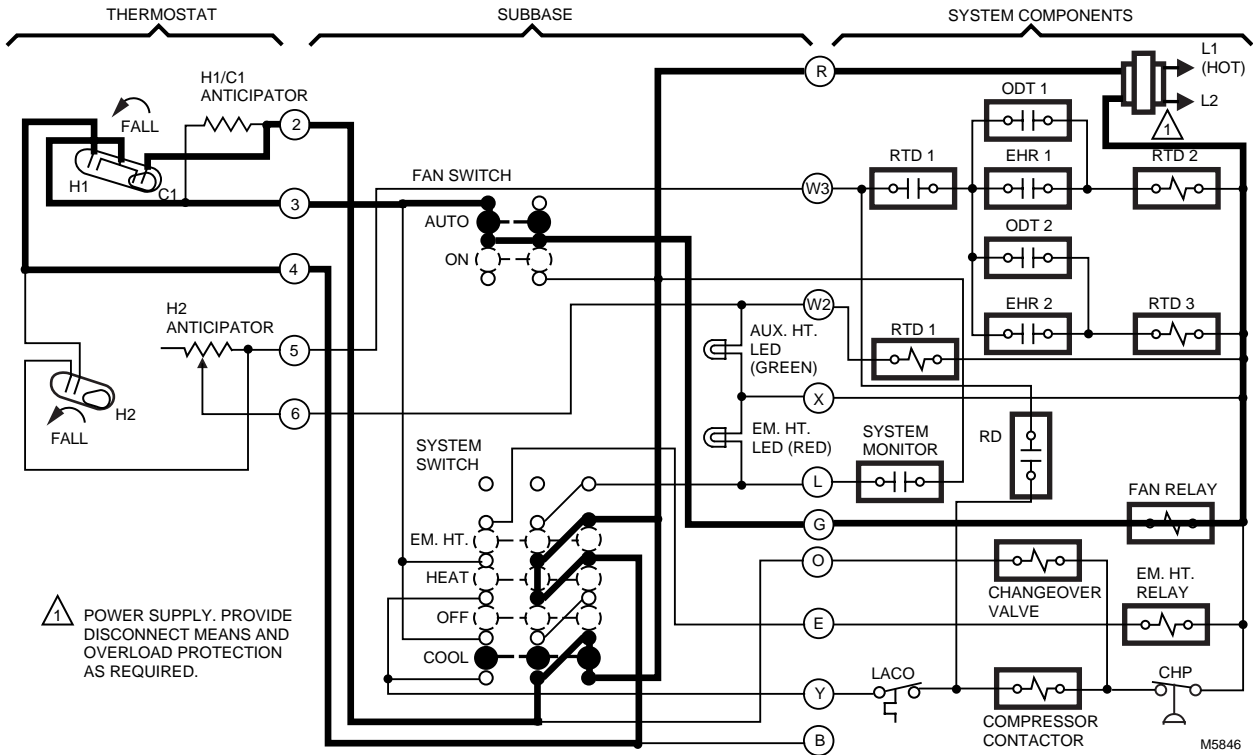


Fig. 24. Tracing the auto fan circuit.

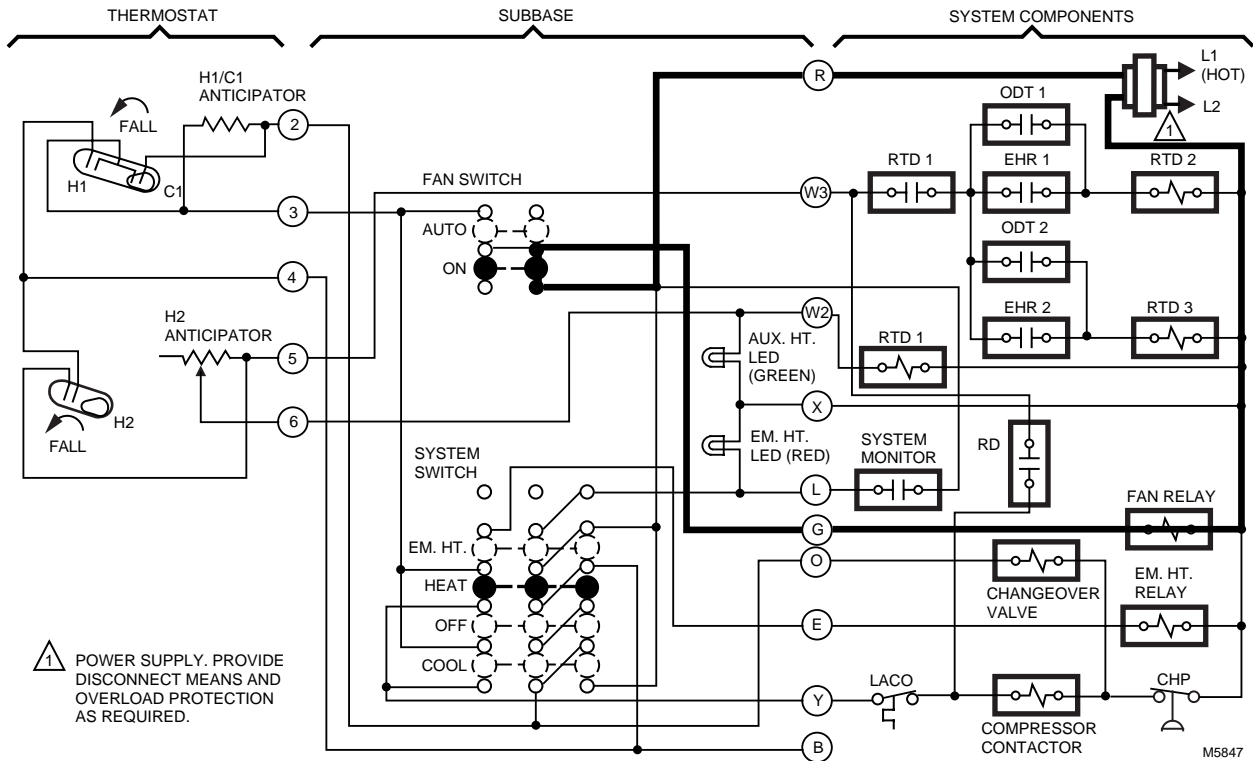


Fig. 25. Tracing the fan on circuit.

## OPERATION

### Heat Anticipation/Cool Anticipation

When controlling a heating unit with a thermostat, the temperature does not remain exactly at the thermostat setpoint, but varies within a certain temperature range. Heat anticipation is added to the thermostat to reduce this range.

The anticipator is a small resistive heater in the thermostat that heats when the system is on (heat mode) or off (cool mode). The heat produced by the anticipator raises the internal bimetal temperature slightly faster than the surrounding room temperature. The thermostat *anticipates* the need to shut off the heating system sooner than it would if affected by room temperature only.

There are two types of heat anticipation, adjustable and fixed.

Adjustable anticipation is also called *current anticipation*. See Fig. 26. The heater is in series with the mercury switch and heating primary. The pointer is adjusted to match the current draw of the primary control, and the correct amount of heat is added for proper cycle rates.

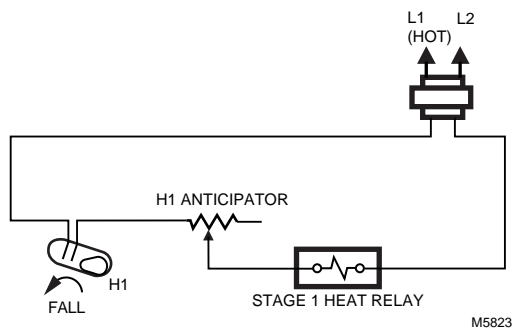


Fig. 26. Adjustable anticipation heater in series with load.

Fixed anticipation is also called *voltage anticipation*. See Fig. 27. The heater is in parallel with the primary control and is not affected by the current draw of the primary. It establishes the proper cycle rate for any application.

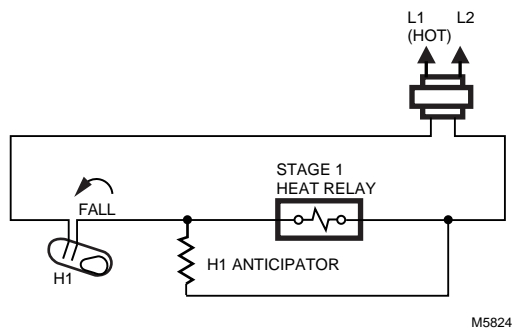


Fig. 27. Fixed anticipation heater in parallel with load.

Heat anticipators add heat during the call for heat. Cooling anticipators are activated while the air conditioner is off. See Fig. 28. This heater makes the thermostat think it is warmer than it really is, and brings it on sooner than the bimetal alone would.

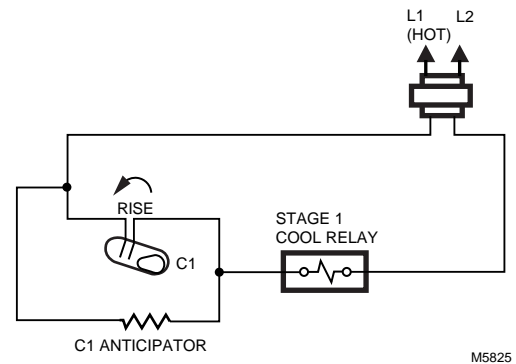


Fig. 28. Internal cooling anticipation schematic.

### Interstage Differential

The mercury switch of each stage of heat makes at a slightly different temperature; that is, the mercury makes the contacts of the first stage bulb at one temperature, and the second stage bulb at another temperature. The difference between these two temperatures is the *interstage differential*.

Interstage differential is the difference between the two make points when the bulbs are controlled by the heating of the bimetal and the action of the heat anticipator. The interstage differential is 1.9°F (1°C) between the stages of heating or the stages of cooling for most models.

Mechanical differential is the difference between the make and break points of each switch. The mechanical differential for the T874 is 1°F (0.6°C) between the stages of heating or between the stages of cooling for most models.

### Droop

The addition of anticipator heat to the bimetal causes a control factor called *droop*.

As the weather grows colder, the heating appliance must operate longer and more frequently. More heat must be added to the bimetal. The bimetal now thinks it is warmer than it really is, and actual room temperature is controlled at a lower temperature than the setpoint indicates. At 100 percent heat load, this droop can be significant.

The C815A Outdoor Reset Thermistor is used in heat pump systems to minimize droop. Without some method of countering this situation, the occupant could notice the temperature offset.

### Outdoor Reset

Some T874/Q674 models are intended for use with the C815A Outdoor Thermistor. The outdoor thermistor provides significantly improved thermostat performance when compared to conventional multistage thermostats. The C815A is usually located in the heat pump condensing unit outdoors.

## ! CAUTION

### Equipment Damage Hazard.

Due to calibration techniques used for T874 Thermostats with outdoor reset, the C815A Thermistor must be wired into the system at all times. Failure to do so will result in serious degradation of performance.

## Service and Replacement of C815A Outdoor Thermistor

To check and verify thermistor operation, perform the following steps:

1. Disconnect wire from T terminal on subbase.
2. Measure resistance with ohmmeter across the T subbase wire and X subbase terminal.
3. Take outdoor temperature measurement at thermistor location and find correct thermistor resistance on the chart in Fig. 29.
4. Compare resistance on the chart with measured resistance. Replace C815A if resistance varies more than 15 percent. Contact installing dealer for packaged replacement outdoor thermistor.

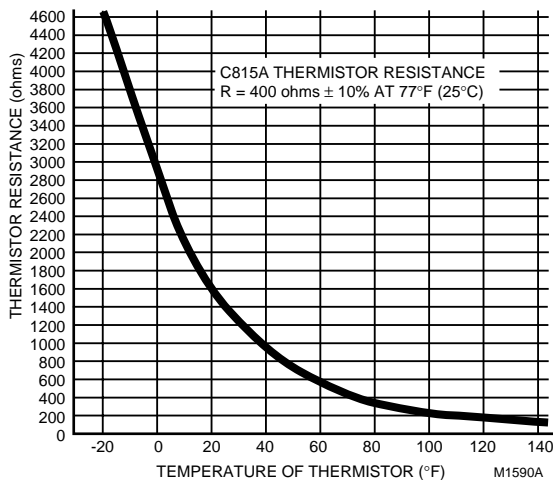


Fig. 29. Thermistor resistance chart.

## Features

Two of the features of the T874/Q674 include LED indicators and restricted setpoint.

## LED Indicators

The light-emitting diodes (LED) indicators on the subbase light on command when something specific happens in the system. See Fig. 30.

Up to four different LEDs are available. The thermostat has a clear lens window for viewing each LED. On TRADELINE models, a small insert is used so the LED function desired can be selected. *This must be done during installation.*

A blank insert is factory-installed in some T874 models. To remove it, push both temperature setting levers to the far ends of the thermostat. Use index fingernail to gently pull out the scaleplate a fraction of an inch. Turn thermostat upside-down, and the blank insert falls out.

A strip of four inserts is included with TRADELINE T874. Drop a strip into the recessed area behind the scaleplate so selected LEDs show. Make sure insert is completely seated in recessed area. Let scaleplate pop back; then set levers to desired position.

- FILTER LED lights when the filter is clogged and needs replacement.
- CHECK LED lights when something needs to be checked or done to maintain efficient operation of system. See heating system instructions for CHECK LED meaning.
- EM. HT. LED lights when the emergency heat is operating.
- SUPL. HT. LED lights when the supplemental heat is operating.
- LOCKOUT LED lights when the system is shut down and needs maintenance.
- AUXILIARY HEAT LED lights when the auxiliary heat is operating.
- SERVICE or MALFUNCTION LED can have several meanings. Consult heating system instructions.

LEDs cannot be replaced or added in the field.

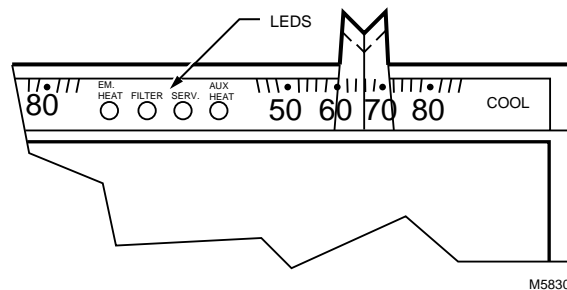


Fig. 30. T874/Q674 LED location.

## Restricted Setpoint (DoD)

The Department of Defense (DoD) models are equipped with a restricted setpoint feature for fuel efficiency.

Fixed stops are factory-set so setpoint levers cannot be set above 72°F (22°C) on heating, or below 78°F (26°C) on cooling.

## Applications

The T874/Q674 can be applied to standard residential systems for automatic or manual changeover, to commercial rooftop applications, or to heat pump applications.

## Changeover on Standard Residential Systems

In a standard residential heating-cooling circuit, changeover between heating and cooling can be done either automatically or manually.

Automatic changeover is done by an AUTO position on the subbase system switch. See Fig. 31. When the switch is in the AUTO position, the thermostat automatically changes between heat and cool modes, depending on the indoor temperature.

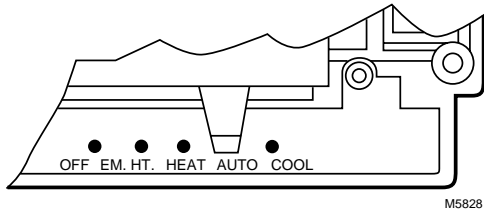


Fig. 31. System switching for automatic changeover.

Automatic changeover is frequently used in areas where there are large temperature differences in 24 hours. Some uses for the automatic changeover feature are in the southern states (cool in the morning and hot in the afternoon) and in commercial applications.

Manual changeover requires a system switch movement to change the mode. See Fig. 32. Most manual changeover switches consist of HEAT-OFF-COOL choices. For heating, switch to HEAT. For cooling, switch to COOL. It is not automatic.

Manual changeover is often used in areas where the temperature is relatively stable between day and night.

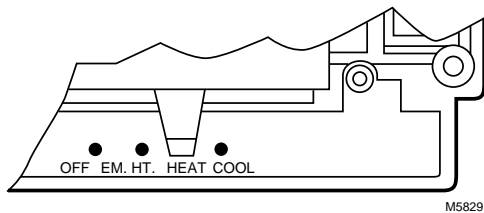


Fig. 32. System switching for manual changeover.

## Commercial Rooftop Application

The T874 can be used as part of a commercial rooftop application to run mechanical cooling.

An economizer is often used as part of a rooftop application to save on air conditioning. See Fig. 33.

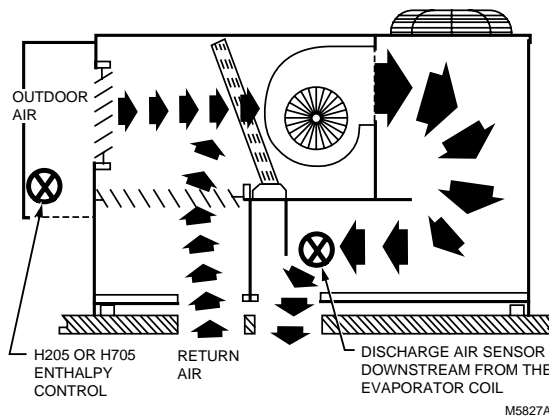


Fig. 33. Typical commercial rooftop economizer application.

*Enthalpy* is the temperature and humidity of the air. A more accurate analysis of the suitability for free cooling can be made by monitoring the enthalpy.

When enthalpy is low enough, the thermostat and a sensor tell the economizer damper to open to let in cool air from the outside. When enthalpy is high, the thermostat and sensor tell the damper to close. No more outside air comes in, so the air conditioner is used instead.

## Heat Pump Application

A heat pump system operates much like an air conditioner. However, the heat pump is capable of moving heat in two directions; from inside the home to outdoors for cooling, or from outdoors to inside for heating.

The heat pump can be controlled by separate relay/contacter components, which are energized or de-energized by the T874.

Changeover between heating and cooling for heat pump circuits can be accomplished either manually or automatically.

Manual changeover control requires a system switch movement to change the mode. The reversing valve is activated by moving the system switch to COOL for cooling or to HEAT for heating operation.

Automatic changeover is accomplished by one of the mercury bulb switches in the thermostat. On a system with automatic changeover on cooling, the changeover valve is energized by a mercury switch that makes on a temperature rise. On heating, the changeover valve is energized by a mercury switch that makes on a temperature fall.

A description of the methods used to control heat pumps follows.

## Space Temperature Sensing Low Voltage Controls

Control systems for heat pumps usually utilize low voltage control circuits. The variety of control functions required and the relative complexity require a versatile and economical method of control. There are several interlocks and indication functions that would be more difficult and expensive to wire in line voltage circuits. Low voltage controls have the precision and flexibility needed.

The thermostat used is a low voltage device that has good temperature sensitivity and several manual and automatic switching capabilities.

## Two-Stage Thermostat

In most installations, the heat pump itself requires auxiliary heat, usually in the form of electric strip heaters, to carry the building heating load at design conditions. Since the heat pump is usually more efficient, the control strategy is to run the heat pump *whenever possible* and the auxiliary heat *only when necessary*—during very cold weather or if the heat pump fails. Usually the auxiliary heat is used only below the *balance point* (temperature at which the heat pump cannot handle heating load by itself).

A two-stage thermostat makes this possible. The two stages *make sequentially* as the temperature drops. There is a degree or two between stages so that the second stage (the

one controlling the auxiliary heat) makes only when the heat pump alone cannot handle the load. That is how the strategy of using the most economical heat first is implemented.

## Cycling Rate

Normally, thermostat anticipation is set to cycle a fossil fuel furnace about five or six times an hour (at 50 percent load). This provides a reasonable balance between comfort, stability and economy.

A heat pump, being a mechanical refrigeration system, should be cycled at a rate of 2-1/2 to 3 times an hour. With a T874, this is accomplished by setting the anticipator at the total current draw of the controlled device (the contactor and possibly the changeover relay or valve). Most likely, the compressor operates from the first stage of the thermostat.

The second stage normally controls the auxiliary heaters. This heat anticipator can be set for the current draw of the electric heat primary, and produces good control.

## Voltage Anticipation

Although not a specific requirement for heat pumps, several models of the T874 have voltage heat anticipation instead of current anticipation.

With voltage anticipation, the amount of heat added to the thermostat is constant no matter which load is connected to it. The anticipator realizes a constant voltage and produces a constant amount of heat during the ON cycle. This allows the cycling rate to be *designed into* the thermostat. The heat pump manufacturer is assured of correct performance independent of later thermostat adjustments.

## Outdoor Reset

Outdoor reset, which a C815A Outdoor Thermistor makes possible, is sometimes applied in heat pump systems to help minimize the effect of the differential between stages. It takes 2°F (1.1°C) change in temperature to bring on the second stage and full heating. Added to a certain amount of droop under high loads, there can be a large offset between the setpoint and room temperature.

Without some method to counteract this situation, the temperature offset from the setpoint could be as much as 6°F (3.3°C) under high load conditions. It is not likely that the occupants accept this variation without making frequent thermostat setting changes.

Outdoor reset has the effect of raising the setpoint at cold outdoor temperatures. Then, even with a few degrees droop, the space temperature stays near the desired setting.

This is done by calibrating the thermostat high by 5°F (3°C)—the amount of expected offset. This offset compensates for differential and droop at high load factors so the thermostat switches at the setpoint. At warm temperatures, heat is added to the thermostat to compensate for this offset; at cold temperatures, the extra heat is automatically removed. The effect is the same as raising the setpoint as the outdoor temperature goes down.

This is particularly important on the 3-stage T874. The additional stage means that more droop is introduced when the system is in operation. That is the reason the TRADELINE T874W is sold in a package with the outdoor sensor and the correct subbase.

## Outdoor Reset—How it Works

The heater in the thermostat is connected in series with a thermistor sensor that measures outdoor temperature. See Fig. 34. In warm weather, the thermistor has very low resistance, permitting a large current flow in the heater, which generates a relatively large amount of heat in the thermostat.

In cold weather, the outdoor sensor has high resistance, which results in low current flow and little or no heat being added to the thermostat. This raises the control point, overcoming the effects of droop and interstage differential.

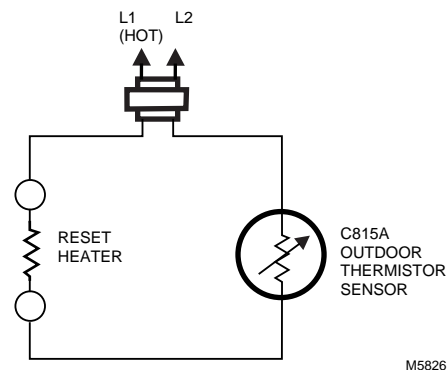


Fig. 34. Location of thermistor.

## Changeover

Changeover between heating and cooling can be accomplished either *automatically* or *manually*, depending on the application. Changeover can occur in heating or cooling.

The changeover valve is energized as long as the subbase function switch is in the appropriate position when *manual* changeover is used. If a system manually changes over on cooling, the valve energizes whenever the subbase switch is in the cooling mode.

One of the mercury bulb switches is used for control when the thermostat has *automatic* changeover. When the *automatic* changeover is in cooling, the changeover valve is energized when the first stage cooling switch makes. The second stage switch turns on the compressor.

It is more common with new equipment to find that changeover occurs with cooling; that is, the changeover valve is energized to produce cooling.

Whether *automatic* or *manual* changeover is used and whether the reversing valve is energized with cooling or with heating, a heat pump system can be controlled by the appropriate T874 Multistage Thermostat.



## Low Temperature Lockouts

Some manufacturers of heat pumps have previously controlled their units so the compressor was locked out below a specified outdoor temperature. This was done because of the stress placed on the compressor by the very cold temperatures, and the fact that efficiency drops off at low temperatures.

Other manufacturers say that although efficiency is low at cold temperatures, the problem of starting the cold compressor is the most critical point. It is more important to keep the compressor running than to shut it off and try to restart it when the temperature warms up to +10°F (-12°C). Also the crankcase heater, which can run only when the compressor is off, compensates for the lower compressor efficiency. So, it is equitable to let the heat pump run even with a coefficient of performance (COP) slightly less than one, rather than to turn it off and have to run the crankcase heater.

NOTE: To determine the COP of a heat pump, use the following formula:

$$\text{COP} = \frac{\text{Btu Out/Btu we pay for or Btu/h Capacity}}{\text{Unit Wattage} \times 3.413 \text{ Btu/Watt}}$$

Another factor favoring this control strategy is that newer heat pump designs maintain a level of efficiency even at outdoor temperatures well below zero. Some brands do not reach 1.0 COP until -25°F (-32°C).

Virtually all manufacturers now let the heat pump run continuously rather than lock it out at cold temperatures.

## Heat Pumps with Dual Compressors

Staging residential sized heat pumps is a requirement that developed from the need to make heat pumps as efficient as possible. One of the methods used to improve overall seasonal efficiency is to reduce the amount of time the machine is operating in a transitional mode. Transitional mode is starting and stopping in addition to recovering from defrost. Under light loads, when the heat pump is cycling on and off, this can be a significant amount of time and can result in a significant efficiency reduction. Capacity control is one way to reduce the cycling rate and improve the efficiency.

Additional capacity control methods used on other refrigeration systems (unloading, multiple compressors) are not as likely to be seen on residential heat pumps.

With a single-stage heat pump, the compressor is normally controlled by the first stage and the auxiliary heat by the second stage. The T874G, N and R Thermostats are used for this purpose.

With a two-stage compressor, the two thermostat switches control the individual compressor stages. Auxiliary heat is controlled along with the compressor stage-two, by the thermostat second stage. It comes on with the compressor high speed if an outdoor thermostat—wired in series with it—is made. See Fig. 35.

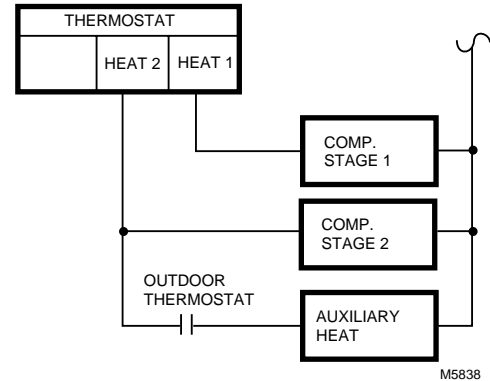


Fig. 35. Two-stage heat pump with two-stage thermostat.

The outdoor thermostat is set at the balance point with both heat pump stages running. So if the heat pump can control the heating load down to +20°F (-7°C), the auxiliary heat comes on with the second stage of the compressor.

In effect, this control strategy changes the heat input of the second stage, depending on the amount of heat needed. Additional stages of auxiliary heat can be added with or without the control of more outdoor thermostats, See Auxiliary Heat section.

Another way to control a two stage heat pump is with a three-stage thermostat. The T874W is designed for this application as well as others. See Fig. 36.

The advantage of this system is that no auxiliary heat is used until there is an actual demand from the controlled space.

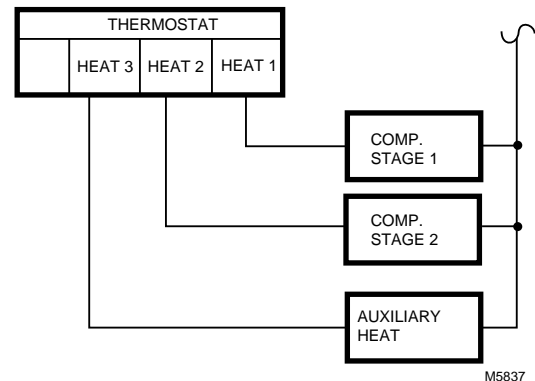


Fig. 36. Two-stage heat pump with three-stage thermostat.

## Two speed Heat Pump

One way to control capacity is to use a two-speed compressor. The compressor runs at low speed for stage-one heating and cooling. The compressor runs at the low speed instead of cycling the heat pump on and off under some light load conditions.

The high speed is stage-two cooling. The compressor runs on high speed when loads increase so the low speed can no longer handle the cooling load. This reduces cycling rate and improves capacity.

## Defrost Control

In some regions, during half or more of the heating season, the outdoor coil operates below 32°F (0°C). Frost or ice builds up on the outdoor coil of a heat pump similarly to the frost buildup in a household refrigerator. Eventually, this accumulation of ice interferes with efficient heat transfer from the outdoor air to the coil and refrigerant. Defrosting is occasionally required to remove this ice, and restore the heat pump ability to absorb heat from the air.

## Defrosting

A heat pump defrosts its outdoor coil by temporarily switching to the cooling mode, which causes hot gas from the compressor to be directed to the outdoor coil instead of to the indoor coil so the heat pump is taking heat from the home to warm up the outdoor coil. Defrosting is the greatest detriment to heat pump efficiency.

## Defrost Control Functions

Besides changing over to the cooling mode, defrosting requires several more control initiated actions that follow.

### OUTDOOR FAN

When defrosting has begun, it is standard practice to turn off the outdoor fan to speed up the melting process. A separate defrost relay is required to control that fan. See Fig. 37. Other contacts can be needed on the defrost relay to power the changeover valve or power part of the auxiliary heat.

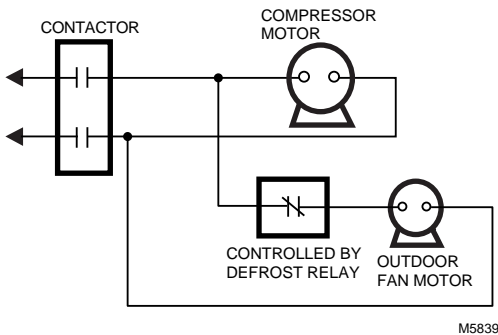


Fig. 37. Outdoor fan with defrost control.

### AUXILIARY HEAT DURING DEFROST

Most pump manufacturers bring on some auxiliary heat during defrost, although this is not a universal practice. Some rely on the second stage of the thermostat to call for auxiliary heat as needed. Since the heat pump is operating in the cooling mode to defrost, it is delivering cold air to the living space. Auxiliary heat is used to offset this cooling. It requires another normally open contact on the defrost relay. See Fig. 38.

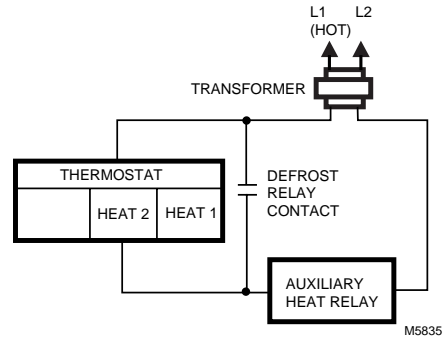


Fig. 38. Auxiliary heat with defrost control.

### WHEN TO DEFROST

Timely defrosting is an essential component of effective heat pump operation. Failure to defrost often enough permits too much ice to accumulate on the coil. At the very least, this hurts efficiency; at worst, it results in compressor damage. Insufficient defrosting is a condition the heat pump manufacturer wants very much to avoid.

A 50 percent reduction in outdoor airflow is the maximum that would be tolerated. So the designer of a heat pump would select a control point that puts the system into defrost when airflow through the outdoor coil approaches half its normal level. Restricted airflow causes a greater load on the compressor; the outdoor coil runs colder, suction pressure is lower and the motor runs hotter.

At the other end of the scale, defrosting too often hurts the overall energy efficiency of the system. Consider that in terms of heating the building, defrosting is a big loss. Not only does the system stop heating, but it actually moves heat out of the building. If electric strip heat is used, it is a further waste because its COP is 1.0 and not the 2.0 or more COP realized if the heat is provided by the heat pump.

So, concern for *equipment safety* suggests fairly frequent defrosting while *economy of operation* argues for fewer defrost cycles. Since the equipment manufacturer chooses, the balance is usually tipped in favor of more frequent defrosting to avoid the possibility of damaging the compressor.

## Auxiliary Heat

Except in warm climates, all air-to-air heat pump installations require auxiliary heat capability. Electric resistance heaters can provide this auxiliary heat.

The electric heaters (sometimes called strip heaters) usually are supplied in 5 kW units or strips (about 17,000 Btu). The indoor unit of the heat pump is designed to accommodate various electric heat units so it can be used in variously sized buildings in different parts of the country.

## Two-Stage Thermostat

The most common heat pump control strategy is for the thermostat first stage to switch the compressor and the second stage to switch the auxiliary heat. See Fig. 39.

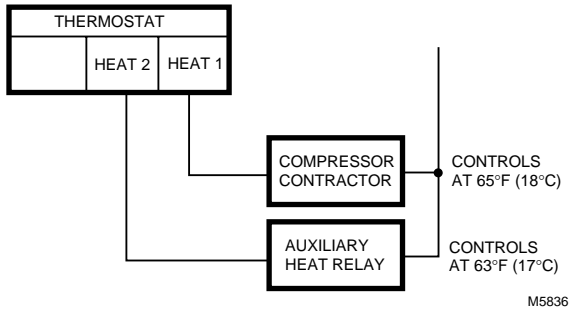


Fig. 39. Auxiliary heat in two-stage thermostat.

This method keeps the auxiliary heat off until the heating load is large enough to demand 100 percent heat pump operation. That demand is measured by the thermostat and is the actual heat requirement of the space. The two-stage thermostat requires about a 2°F (1.1°C) room temperature drop to bring on the second stage.

### Stage or Time Modulated Control

There are two different ways to control auxiliary heat, staged or time modulated control.

*Outdoor thermostats* are used to switch additional increments of electric heat into the thermostat circuit as the outdoor temperature gets lower. All increments of auxiliary heat are still controlled by stage-two of the thermostat but only if the outdoor temperature requires the additional capacity. See Fig. 40.

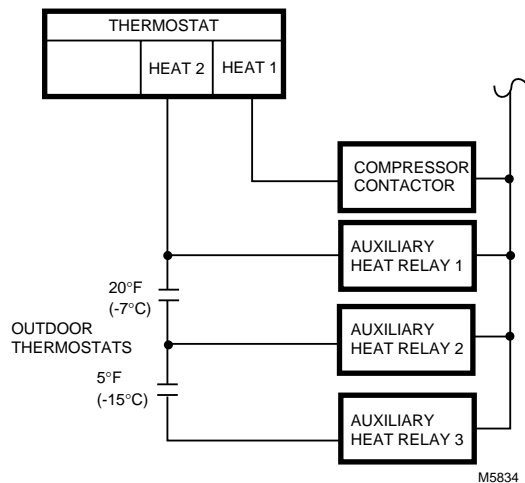


Fig. 40. Outdoor thermostats for auxiliary heat.

The rationale for this system is that it very closely matches the system capacity to the heating load of the building. By calculating the heat loss of a building, the installing contractor can pick the theoretical outdoor temperature at which to permit each additional unit of electric heat to be operated by the second stage of the room thermostat.

The disadvantage of this system is that it can require several outdoor thermostats. Also, since the unit is operating most often at nearly full capacity, the thermostat is on longer which results in more droop, with a little more offset from the thermostat setpoint.

In addition, the capacity is tied to theoretical load, based on heat loss calculations. Normally this is very close to the actual load, but there are times where the second stage is switched on too soon (no harm done) or too late (the building gets cold).

The T874 Thermostat produces *time modulated* control, which is the on time of the thermostat changing during each cycle as the load changes. The on time of the heating system is directly proportional to the heating load of the building. As an example of the quality of time modulated control, consider the typical gas furnace. It can have a capacity of 100,000 Btu (293 kW), which is controlled On-Off. The output is 100,000 Btu (293 kW) or nothing. A quality thermostat controls so closely that the occupants rarely detect changes in room temperature.

The same is true with 50,000 or 60,000 Btu (146.5 or 178.8 kW) of heat pump auxiliary electric heat. The T874 can provide the same high quality control.

This scheme also eliminates the need for outdoor thermostats and thus offers the manufacturer an opportunity to reduce unit cost. One disadvantage is that a *thermostat juggler* can be demanding more kW of strip heat when chilly.

The method any particular manufacturer selects depends on which arguments it finds persuasive and the opinions of its distributors and dealers.

### Three-Stage Thermostat

A definite improvement in quality of control and economy can be achieved with a three-stage thermostat (T874W), which is especially true with heat pumps using dual compressors.

Three-stage control permits both the heat pump and the auxiliary heat to be tied directly to the demand of the controlled space. With a two-stage compressor, maximum (100 percent) heat pump operation is required before auxiliary heat is brought on.

### Emergency Heat

Some provision is generally required to back up the compressor in the event of a failure during the heating season. In fact, it is quite common to find that local building codes or electric utilities require that a specified percent of the building heating requirements be available from emergency heat—a source other than the heat pump compressor. Almost universally, the source is electric resistance heaters. Typically, the requirement is for 70 or 80 percent of the building heating needs.

### Switching to Emergency Heat

Conventional heat pump control (thermostat logic) usually includes a manual subbase switch to bring on the emergency heat.

In one control strategy, the *emergency heat* relay is turned on by the EM.HT. selector switch on the thermostat subbase. The compressor is prevented from running. The electric heaters are cycled as they normally would be by the *second stage* of

the thermostat. A set of contacts on the emergency heat relay is used to bypass each outdoor thermostat so that all electric heat is under immediate thermostat stage-two control. So the emergency heat relay simply bypasses the outdoor thermostats. See Fig. 41.

In the *second* method, the emergency *heat relay is cycled* directly by the thermostat mercury bulb. In this hookup, the relay is controlled by the thermostat *first stage*. The emergency heat relay energizes all of the auxiliary heat relays on a call for heat. See Fig. 42.

So the emergency heat is controlled by the first stage of the thermostat. The emergency heat relay energizes all of the electric strip heaters so the heat and the indoor fan come on together as soon as the first stage calls for heat.

With the first method, the fan remains on (being controlled by the first stage of the thermostat) and the electric heaters cycle on and off with the second stage.

In either case, a subbase indicator light is turned on whenever the function switch is in the emergency heat (EM.HT.) position.

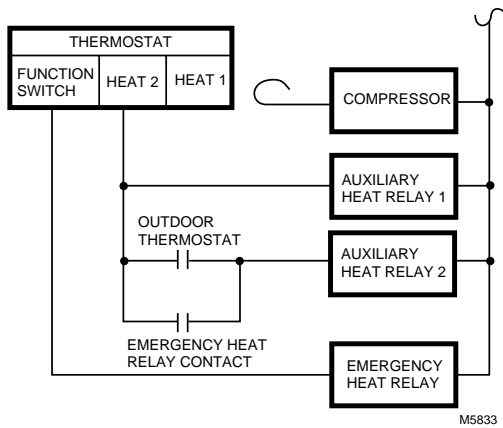


Fig. 41. Emergency heat relay that bypasses the outdoor thermostats.

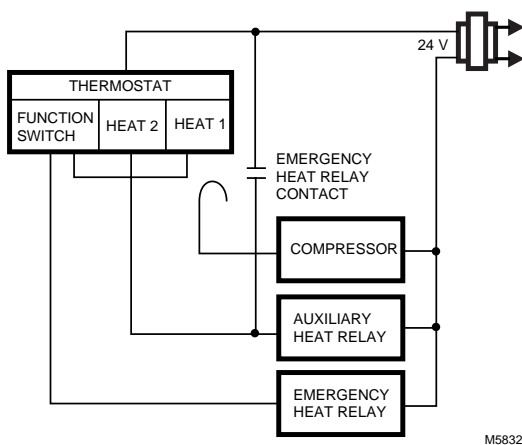


Fig. 42. Emergency heat relay that energizes all of the auxiliary heat relays on a call for heat.

## Crankcase Heat

In any mechanical refrigeration system, refrigerant tends to migrate to the coldest part of the equipment and condense there. In a heat pump, this coldest spot could be the compressor because it is usually outdoors. In addition, the oil in the compressor crankcase is capable of absorbing a high concentration of refrigerant. On compressor startup, there are two risks: (1) the liquid refrigerant, which is noncompressible, can be drawn into the cylinder, and (2) considerable oil can be entrained in the refrigerant and swept out of the crankcase through the changeover valve and dispersed in the piping and coils.

So the migration of refrigerant to the crankcase is undesirable because it can interfere with system lubrication and because the liquid refrigerant must be kept from going through the compressor.

Adding a crankcase heater creates enough temperature differential to prevent this migration because the compressor is no longer the coldest part of the system so refrigerant does not migrate to it.

## Compressor Fault Relay

Another very simple method of detecting a compressor failure has been developed. It uses the voltage developed across the capacitor in a permanent split capacitor compressor motor.

The principle involved is that virtually all serious problems reduce the voltage across the motor capacitor. By carefully selecting the correct coil voltage, the normally closed relay does not pull in unless the proper voltage builds up across the capacitor, which brings on the SERVICE LED. See Fig. 43.

Here is how it works:

- On a call for cooling, the thermostat makes R to Y, the contactor coil is powered, and the compressor motor turns on.
- At the same time, the indicator light is energized.
- As the motor gets up to speed—about one second, the fault relay sees enough voltage to pull in. Its normally closed contact opens and the indicator light goes out.
- Anything that prevents the motor from running prevents the fault relay from pulling in.

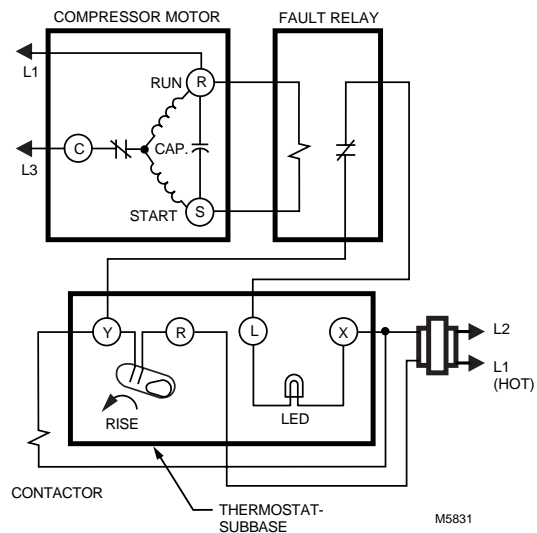


Fig. 43. Compressor fault relay schematic.

## CROSS REFERENCE

The following section lists the current T874 Trade replacements for T872 and T874 Multistage Thermostats. It also lists the Q674 Trade replacements for Q672 and Q674 Subbases.

All thermostats listed carry the Honeywell logo unless otherwise noted.

When using the Cross Reference Charts, refer to the following instructions:

1. Locate and identify the existing thermostat and subbase model.
2. Refer to the **Model Number** column to find the model that matches the existing thermostat and subbase.

3. The **Description** column identifies certain characteristics of the existing device.
4. The **Trade Replacement** column identifies the correct replacement device.
5. The **Remarks** column lists any characteristics or adjustments to be made on the Trade replacement model.
6. The **Fig. No.** column lists the wiring hookup used for the specific model number. The wiring diagrams follow the Cross Reference section.
7. Refer to the circuit illustration that corresponds with the appropriate number. This figure illustrates the internal electric circuit for the desired model number.

**Table 6. T872-T874 Thermostat Cross Reference.**

Model Number	Description	T874 Trade Replacement <sup>a</sup>	Remarks
<b>T872A</b>	1-stage heat, 1-stage cool		
A1006	Standard OEM	T874A1036	
A1014	72-78°F (22-26°C) stop; locking cover; no thermometer	T874A1010	Use T874A1176 for Dept. of Defense (DoD) application.
A1022	Heat anticipator set at 0.45A	T874A1036	
A1030	0.4A heat anticipator setting	T874A1036	
A1048	TRADELINE	T874A1036	
A1055	AAF logo; locking cover	T874A1036	
A1063	Climatrol logo	T874A1036	
A1071	Lennox logo; 0.5A heat anticipator setting	T874A1036	
A1089	Melco logo	T874A1036	
A1097	Westinghouse logo	T874A1036	
A1105	Amana logo; 1.2A heat anticipator setting	T874A1036	
A1113	Trane logo	T874A1036	
A1121	Airtemp (Chrysler) logo	T874A1036	
A1139	Singer logo; no. 02005384	T874A1036	
A1147	American Standard logo	T874A1036	
A1154	Carrier logo and color; no. HH07AT074	T874A1036	
A1162	General Electric logo; no. AY28X097	T874A1036	
A1170	Sears logo; no. 4291441	T874A1036	
A1188	Command-Aire logo	T874A1036	
A1196	Singer logo; Celsius scale; no. 02005521	T874A1036	
A1204	Carteret logo	T874A1036	
A1212	General Electric; no. AY28X114; 72-78°F (22-26°C) stop	T874A1010	Use T874A1176 for Dept. of Defense (DoD) application.
A1220	Singer logo; no. 050240-01	T874A1036	
A1238	Celsius scale	T874A1036	
A1246	TRADELINE; locking cover and adjustable locking lever stops	T874A1150	
A1253	Trane Comfort Corp	T874A1036	
A1261	TRADELINE; 72-78°F (22-26°C) stop; locking cover; no thermometer; meets DoD specs	T874A1176	

<sup>a</sup> When replacing a T872 Thermostat and Q672 Subbase, always replace both the thermostat and the subbase.

**Table 6. T872-T874 Thermostat Cross Reference.**

Model Number	Description	T874 Trade Replacement <sup>a</sup>	Remarks
A1279	General Electric logo; no. AY28X114A; 75°F stop; locking cover; no thermometer.	T874A1010	Use T874A1176 for Dept. of Defense (DoD) application.
A1287	General Electric; no. AY28X097A; fan current shunt for auto fan in heating; heat anticipator set at 0.4A.	T874A1036/ Q674B1018	Set thermostat stage 1 heat anticipator for total of fan and stage 1 primary control current draw.
A1295	Lennox; Celsius scale	T874A1036	
A1303	Lennox logo; no. 64A0601; meets DoD specs	T874A1176	
A1311	Envirotron special; Celsius scale	T874A1010	
A1329	Carrier logo; Celsius scale; no. HH07AT074C	T874A1036	
A1337	Square D; no. HCD-3; heat anticipator set at 0.2A	T874A1036	
A1345	TRADELIN; Celsius scale	T874A1010	
A1352	Heat anticipator set 1.2A	T874A1036	
A1360	Friedrich logo; heat anticipator set at 0.2A	T874A1036	
A1378	Wesco logo; heat anticipator set at 0.8A	T874A1036	
<b>T872B</b>	1-stage heat, 2-stage cool		
B1005	Standard OEM	T874B1019	
B1013	0.4A heat anticipator setting	T874B1019	
B1021	TRADELIN	T874B1019	
B1039	Westinghouse logo	T874B1019	
B1047	American Standard logo	T874B1019	
B1054	Climatrol logo	T874B1019	
B1062	Carrier logo	T874B1019	
B1070	Trane logo	T874B1019	
B1088	Fedders logo	T874B1019	
B1096	Climatrol logo	T874B1019	
B1104	Carteret logo	T874B1019	
B1112	Singer logo; no. 050240-03	T874B1019	
B1120	Celsius scale	T874B1019	
B1138	Singer logo; no. 02005711; locking cover and lever.	T874B1019	
B1146	Lennox logo; no. P-8-8895	T874B1019	
B1153	Lennox logo; Celsius scale	T874B1019	
<b>T872C</b>	2-stage heat, 1-stage cool		
C1004	Standard OEM	T874C1018	
C1012	Heat anticipator set at 0.4A	T874C1018	
C1020	72-78°F (22-26°C) stop; locking cover; no thermometer; 42-88°F (6-31°C) setpoint range.	T874C1141	Use T874C1141 for Dept. of Defense (DoD) application.
C1038	TRADELIN	T874C1018	
C1046	American Standard logo	T874C1018	
C1053	Friedrich logo	T874C1018	
C1061	Lennox logo; no. P-8-8896	T874C1018	
C1079	Westinghouse logo; stage 1 heat anticipator set at 0.75A; stage 2 anticipator set at 1.2A	T874C1018	
C1087	Fast cycle performance on both heat stages; anticipator range 0.12-0.6A	T874C1018	Adjust anticipator <i>faster</i> for correct performance.
C1095	Payne logo; no. 0.1-0.175	T874C1018	

<sup>a</sup> When replacing a T872 Thermostat and Q672 Subbase, always replace both the thermostat and the subbase.

Table 6. T872-T874 Thermostat Cross Reference.

Model Number	Description	T874 Trade Replacement <sup>a</sup>	Remarks	
C1103	Amana logo; anticipator set at 1.2A	T874C1018		
C1111	Airtemp (Chrysler) logo	T874C1018		
C1129	Day and Night logo; no. 0.1-0.174	T874C1018		
C1137	Fast cycle performance on both heat stages	T874C1018	Adjust anticipator <i>faster</i> for correct performance.	
C1145	Rheem logo	T874C1018		
C1152	Ruud logo	T874C1018		
C1160	Climatrol logo	T874C1018		
C1178	Wesco logo	T874C1018		
C1186	Sears logo	T874C1018		
C1194	First Co. logo	T874C1018		
C1202	Carrier logo	T874C1018		
C1210	Carrier logo; Celsius scale	T874C1018		
C1228	0.4A heat anticipator setting	T874C1018		
C1236	Carrier logo; no. HH07AT070	T874C1018		
C1244	Fraser-Johnson logo	T874C1018		
C1251	Trane logo	T874C1018		
C1269	Fedders logo	T874C1018		
C1277	Climatrol special	T874C1018		
C1285	Autogas logo	T874C1018		
C1293	Fedders logo	T874C1018		
C1301	Climatrol logo	T874C1018		
C1319	Command-Aire logo	T874C1018		
C1327	Melco logo; lock cover and levers	T874C1018		
C1335	Singer logo (Carteret)	T874C1018		
C1343	Singer logo; no. 050240-04	T874C1018		
C1350	Celsius scale	T874C1018		
C1368	12°F (67°C) differential between heat 1 and heat 2	T874C1125		
C1376	AAF logo; locking cover; 72-78°F (22-26°C) stop	T874C1018		
C1384	Servel logo	T874C1018		
C1392	TRADELIN; fast cycle performance on both heat stages.	T874C1018		Adjust anticipator <i>faster</i> for correct performance.
C1400	72-78°F (22-26°C) stop; locking cover; no thermometer; meets DoD specs	T874C1141		
C1418	Solaron logo	T874C1018		
C1426	Lennox logo; no. 42C04; four LEDs	None		
C1434	Carrier logo; no. HH07AT070C; Celsius scale	T874C1018		
C1442	Goettl logo	T874C1018		
C1459	Goettl logo; used with Q672N1001, N1019	None		
C1467	Lennox logo; Celsius scale	T874C1018		
C1475	Tappan logo; no. 080-13708-37	T874C1018		
C1483	Fasco logo; no. 1230-8161	T874C1018		
C1491	Lennox logo; no. 64A0501; locking cover; no thermometer; meets DoD specs	T874C1141		

<sup>a</sup> When replacing a T872 Thermostat and Q672 Subbase, always replace both the thermostat and the subbase.

Table 6. T872-T874 Thermostat Cross Reference.

Model Number	Description	T874 Trade Replacement <sup>a</sup>	Remarks
C1509	Fedders logo; used with Q672L1102	Y594R1425	Wiring differences (old=new): C=X, K=E; remove Y-W1 jumper.
C1517	Climatrol logo; used with Q672L1102	Y594R1425	Wiring differences (old=new): C=X, K=E; remove Y-W1 jumper.
C1525	Square D logo; no. HCD-2	T874C1018	
C1533	Airtemp logo	T874C1018	
C1541	Airtemp logo; used with Q672L1102	Y594R1425	Wiring differences (old=new): C=X, K=E; remove Y-W1 jumper.
C1566	TRADELIN; Celsius scale	T874C1018	Replacement has °F scaleplate.
C1574	Whalen special; used with Q672B1269	None	
C1582	Lennox; meets DoD	None	
C1590	Singer; 8°F (4.4°C) differential between stage 1 and stage 2	T874C1125	Replacement has 2°F (1°C) differential between H1 and H2.
C1608	Singer logo; no. 02005784 8°F (4.4°C) differential between stage 1 and stage 2	T874C1125	Replacement has 2°F (1°C) differential between H1 and H2.
C1616	Celsius scale; stop set at 23°C	None	Add 4074ECK adjustable stop.
C1624	Heat Wave logo; no. 0360-116	T874C1018	
C1632	York logo; heat anticipator set at 0.2A	T874C1018	
C1640	Heat anticipator set at 0.4A	T874C1018	
C1665	Wesco logo; heat anticipator set at 0.8A	T874C1018	
C1673	Wards logo; used with Q672B1285, B1293	Gas systems: T874C1018/ Q674B1034	
		Electric systems: T874C1018/ Q674B1075	Adjust anticipator faster for correct performance.
C1681	Lechauffage Urbain logo; Celsius scale	T874C1018	
C1699	Duotherm logo; used with Q672E1068 or Q672F1000	T874C1018	See subbase description for replacement information.
C1707	Sigler logo; used with Q672N1027	None	
C1715	Westinghouse logo	T874C1018	
<b>T872D</b>	2-stage heat, 2-stage cool		
D1003	Standard OEM	T874D1165	
D1011	TRADELIN	T874D1165	
D1029	Westinghouse logo	T874D1165	
D1037	Climatrol logo	T874D1165	
D1045	Lennox logo; no. P-8-8897; used with Q672E1191.	T874D1165	
D1052	York logo	T874D1165	
D1060	Singer logo; no. 02005385	T874D1165	
D1078	Rheem logo	T874D1165	
D1086	Rudd logo	T874D1165	
D1094	York logo; locking cover	T874D1165	
D1102	American Standard logo	T874D1165	
D1110	ITT logo	T874D1165	
D1128	Carrier logo	T874D1165	
D1136	No anticipator on stage 1 cool; used with Q672C1029	T874D1165	

<sup>a</sup> When replacing a T872 Thermostat and Q672 Subbase, always replace both the thermostat and the subbase.



Table 6. T872-T874 Thermostat Cross Reference.

Model Number	Description	T874 Trade Replacement <sup>a</sup>	Remarks
D1144	Carrier logo; no. HH07AT072	T874D1165	Wiring differences (old=new): A=W1; set H1 anticipator to 1.2A.
D1151	General Electric logo; no. AY28X098; 0.4 heat anticipator setting	T874D1165	
D1169	Airtemp (Chrysler) logo; used with Q672E1118	T874D1165/ Q674E1049	
D1177	Trane logo	T874D1165	
D1185	Dunham-Bush logo	T874D1165	
D1193	Fedders logo	T874D1165	
D1201	Climatrol logo	T874D1165	
D1219	Command-Aire logo	T874D1165	
D1227	Singer logo; no. 02005522; Celsius scale	T874D1165	
D1235	Singer logo; (Carteret)	T874D1165	
D1243	Friedrich logo	T874D1165	
D1250	Singer logo; no. 050240-02	T874D1165	
D1268	Airtemp logo	T874D1165	
D1276	Celsius scale	T874D1165	
D1284	Solaron	T874D1165	
D1292	Tokyo Carrier logo; no. HH07AT072C; Celsius scale	T874D1165	
D1300	SUPER TRADELINE	T874D1165	
D1318	General Electric logo; no. AY28X098A; fan current shunt for auto fan in heating.	T874D1165/ Q674B1075	
D1326	General Electric logo; locking cover 72-78°F (22-26°C) stop; fan current shunt for auto fan in heating.	T874D1165	
D1334	Lennox logo; Celsius scale	T874D1165	
D1342	Tappan logo; no. 080-13708-32	T874D1165	
D1359	Singer logo; no. 02005740; Celsius scale; 6.6°C differential between H1 and H2.	T874D1165	Only 2°F (1°C) differential between H1 and H2.
D1367	Friedrich logo; no. 600-580-23	T874D1165	
D1375	Singer logo; no. 02005713; Celsius scale; controls 2 separate heat/cool circuits; used with Q674G1017	None	
D1383	TRADELIN; Celsius scale	T874D1165	
D1391	Singer logo; no. 02005712; controls two separate heat/cool circuits; used with Q674G1017	None	
D1409	12°F (7°C) differential between H1 and H2	T874D1165	
D1417	Fedders logo	T874D1165	
D1425	Climatrol logo	T874D1165	
D1433	Singer logo; no. 02005785; 8°F (4.4°C) differential between H1 and H2	T874D1165	
D1441	American Air Filter	T874D1165	
D1474	Carrier; no. HH07AT072-03; Celsius scale	T874D1165	
<b>T872E</b>	2-stage cool		
E1002	Standard OEM	T874E1016	
E1010	TRADELIN	T874E1016	
E1028	Westinghouse logo	T874E1016	

<sup>a</sup> When replacing a T872 Thermostat and Q672 Subbase, always replace both the thermostat and the subbase.

Table 6. T872-T874 Thermostat Cross Reference.

Model Number	Description	T874 Trade Replacement <sup>a</sup>	Remarks
E1036	American Standard logo	T874E1016	
E1044	York logo; locking cover	T874E1016	
E1051	ITT logo	T874E1016	
E1069	Climatrol logo	T874E1016	
E1077	Airtemp (Chrysler) logo	T874E1016	
E1085	Lennox logo	T874E1016	
E1093	Trane logo	T874E1016	
E1101	Dunham-Bush logo	T874E1016	
E1119	Fedders logo	T874E1016	
E1127	Climatrol logo	T874E1016	
E1135	General Electric logo; no. AY28X108	T874E1016	
E1143	Lennox logo; Celsius scale	T874E1016	
E1150	Celsius scale	T874E1016	
E1168	Airtemp logo	T874E1016	
T872F	2-stage heat		
F1001	Standard OEM	T874F1015	
F1019	TRADELIN	T874F1015	
F1027	Lennox logo; fast cycle heat anticipator	T874C1018	
F1035	Luxaire logo; fast cycle performance on both heat stages.	T874C1018	M839 draws 0.72A; set adjustable heat anticipator to setting of 0.9A for proper cycle rate.
F1043	York logo; locking cover; used with M839.	T874C1018	
F1050	Raehco logo	T874F1015	
F1068	Fast cycle performance on both heat stages.	T874C1018	
F1076	Wesco logo	T874F1015	
F1084	Lennox logo	T874F1015	
F1092	Auto Gas logo	T874F1015	
F1100	Celsius scale	T874F1015	
F1118	Lennox logo; Celsius scale	T874F1015	
F1126	Stages 1 and 2 heat electrically isolated; used with Q672D1002	None	
F1134	Square D logo; HCD-4	T874F1015	
F1159	Wesco logo; heat anticipator set at 0.8A	T874F1015	
F1167	York logo	T874F1015	
F1175	Oneida Heater logo; no. 30A0287-01; used with Q672K1012.	T874F1015/ Q674K1026	
<b>T872G</b>	Heat pump models; 2-stage heat, 1-stage cool, 1-stage changeover.		
G1000	Fast cycle performance stage 2 heat; fixed anticipator stage 1 heat and cool; changeover with cooling; used with Q672F1018.	Y594G1252	Wiring differences (old=new): W=W2, X1=X.
G1018	Adjustable anticipator stage 2 heat; fixed anticipator stage 1 heat and cool; changeover with cooling; used with Q672E1027.	Y594G1393	Wiring differences (old=new): Y1=O, Y2=Y.

<sup>a</sup> When replacing a T872 Thermostat and Q672 Subbase, always replace both the thermostat and the subbase.

Table 6. T872-T874 Thermostat Cross Reference.

Model Number	Description	T874 Trade Replacement <sup>a</sup>	Remarks
G1026	Lennox logo; fast cycle performance; stage 2 heat; fixed anticipator stage 1 heat and cool; changeover with cooling; used with Q672E1019, F1067.	None	See subbase description for replacement information.
G1034	Westinghouse logo; adjustable anticipator stage 2 heat; fixed anticipator stage 1 heat and cool; changeover with cooling; used with Q672F1091, F1141, F1257 or Q672J1013, J1062.	Y594G1252	Wiring differences (old=new): W=W2.
G1042	York logo; fixed anticipator on all stages heat and cool; changeover with cooling; used with Q672J1021.	Y594G1567	
G1059	TRADELIN; no anticipator stage 2 heat; fixed anticipator stage 1 heat and cool; changeover with cooling; used with Q672J1039 outdoor reset.	Y594G1161	Designed for use on General Electric heat pumps.
G1067	Lennox logo; no. P-8-11222; fast cycle performance; stage 2 heat; fixed anticipator stage 1 heat and cool; changeover with cooling; used with Q672E1142, F1083.		See subbase description for replacement information.
G1075	Carrier logo; adjustable anticipator stage 2 heat; fixed anticipator stage 1 heat and cool; changeover with cooling; used with Q672J1054, L1052.		See subbase description for replacement information.
G1083	Adjustable anticipator stage 2 heat; fixed anticipator stage 1 heat and cool; changeover with cooling; includes shunt to bypass stage 2 anticipator with auxiliary heat relays; used with Q672F1158.	Y594G1252	
G1091	Lennox logo; same as T872G1026 except meets DoD specs.		See subbase description for replacement information.
G1109	Tappan logo; no. 080-13708-52; adjustable anticipator stage 1 heat and cool; changeover with cooling; used with Q672F1117.	Y594G1252	Wiring differences (old=new): C=X.
G1117	Changeover; used with Q672F1125.	Y594G1252	Wiring differences (old=new): C=X.
G1125	Lennox logo; no. 63A0401; Celsius scale; isolated auxiliary heat power circuit; fast cycle anticipator stage 2 heat.	None	
G1133	Rheem logo; no. RXMT-B71; adjustable anticipator stage 2 heat; fixed anticipator stage 1 heat and cool; changeover with cooling; includes shunt to bypass stage 2 anticipator with auxiliary heat relays; used with Q672F1158, F1232.	Y594G1252	
G1141	Ruud logo; adjustable anticipator stage 2 heat; fixed anticipator stage 1 heat and cool; changeover with cooling; includes shunt to bypass stage 2 anticipator with auxiliary heat relays; used with Q672F1158.	Y594G1252	
G1158	Carrier logo; same as T872G1075. Except DoD styling.		See subbase description for replacement information.
G1166	BDP used with Q672F1125.	Y594G1252	Wiring differences (old=new): C=X.
G1174	BDP used with Q672F1125.	Y594G1252	Wiring differences (old=new): C=X.
G1182	Carrier; no. HH07AT071C; Celsius scale; used with Q672L1052, J1054.		See subbase description for replacement information.
G1190	Tappan; no. B13708-57; used with Q672L1078 for 8 and 10 ton heat pumps with 2 compressors.	None	

<sup>a</sup> When replacing a T872 Thermostat and Q672 Subbase, always replace both the thermostat and the subbase.

Table 6. T872-T874 Thermostat Cross Reference.

Model Number	Description	T874 Trade Replacement <sup>a</sup>	Remarks
G1208	Marvailr logo; special for Crispaire; used with Q672F1166, F1323.	Y594G1393	
G1216	Janitrol logo; no. 26G05; stage 2 heat anticipator set at 1.2A; used with Q672F1117.	Y594G1252	Wiring differences (old=new): C=X.
G1224	TRADELINER; adjustable anticipator stage 2 heat; fixed anticipator stage 1 heat and cool; changeover in cool; used with Q672F1208.	Y594G1419	
G1232	Heat Wave (Southwest Mfg.) logo; stage 2 heat anticipator set at 1.2A; used with Q672F1224.		
G1240	Lennox; fast cycle anticipator stage 2 heat; used with Q672F1240.	None	
G1257	Carrier logo; no. HH07AT073; used with Q672L1169 (HH93AZ071).	None	
G1265	Addison logo; used with Q672F1265.	Y594G1252	Wiring differences (old=new): C=X.
G1273	Carrier logo; (DoD model); 68°F (20°C) maximum heating; 78°F (26°C) minimum cooling; used with Q672L1052, J1054		See subbase description for replacement information.
G1281	Wesco logo; used with Q672F1265.	Y594G1252	Wiring differences (old=new): C=X.
G1299	York logo; meets DoD specs; used with Q672L1177.	Y594G1567	
G1307	Carrier; no. 38EQ1900; Celsius; used with Q672J1054, L1052.		See subbase description for replacement information.
G1315	Luxaire special; stage 2 heat anticipator set to 1.2A; used with Q672F1281.	Y594G1252	
G1323	Lennox special; used with Q672L1201 and C815A1013.	None	
G1331	York; used with Q672J1021.	Y594G1567	Wiring differences (old=new): X=X1, L=X2, W=E; Y1-W1 and Y2-W2 jumpers required.
G1356	Westinghouse; used with Q672L1219.	T874D1165/ Q674F1022	Wiring differences (old=new): X=X1, L=X2, W=E; Y1-W1 and Y2-W2 jumpers required.
G1364	York; used with Q672D1077.	None	
G1372	Tappan/Janitrol logo; no. B-13708-521; used with Q672F1117.	Y594G1252	Wiring differences (old=new): C=X.
G1398	York logo; no. 025-21454C; used with Q672J1021.	Y594G1567	
<b>T872H</b>	Heat pump model; 1 stage heat, 1 stage cool, 1 stage changeover.		
H1009	Command-Aire logo; fixed anticipator stage 1 heat and cool; changeover with cooling; used with Q672C1086.	Y594H1012	
H1017	Friedrich logo.	Y594H1012	
H1025	Friedrich logo; Celsius.	Y594H1012	
T872M	1 stage heat, 1 stage cool with stage 2 heat factory set at 60°F (16°C).		
M1003	Standard OEM; used with Q672D and external switching means.	T874C1125	T874C1125 has 12°F (6.7°C) differential between stage 1 and stage 2 heat.
T872N	Heat pump model; 2-stage heat, 1-stage cool plus changeover, changeover in heat mode.		
N1002		None	

<sup>a</sup> When replacing a T872 Thermostat and Q672 Subbase, always replace both the thermostat and the subbase.

Table 6. T872-T874 Thermostat Cross Reference.

Model Number	Description	T874 Trade Replacement <sup>a</sup>	Remarks
N1010	Williamson logo; adjustable anticipator stage 1 and 2 heat; fixed anticipator stage 1 cool; used with Q672F1133 or F1315.	T874N1016/ Q674F1220	
N1028	TRADELINe heat mode changeover; used with Q672F1216.	T874N1016	
N1036	Bard; used with Q672F1299.	T874N1016/ Q674F1220	
N1044	Thermotron logo; 1st stage changeover heat mode; used with Q672F1299.	T874N1016/ Q674F1220	
<b>T872Q</b>	1-stage heat; used with another T872 for heating setback.		
Q1009	Standard OEM	T874C1125	
Q1017	York logo	T874C1125	Replacement only good for 1-stage heat and 1-stage cool applications.
Q1025	ITT logo	None	
Q1033	Lennox logo; no. P-8-8899.	None	
Q1041	Lennox logo; no. 63A6401.	None	
<b>T872R</b>	Heat pump model; 2-stage heat, 1-stage cool, manual changeover.		
R1008	Fixed anticipator stage 1 heat and cool; no anticipator stage 2 heat; changeover with cooling; used with Q672B1046.	Y594R1425	Wiring differences (old=new): W=W2; W1-Y1 jumper required.
R1016	Addison same as T872R1008; used with Q672B1103.	Y594R1425	Wiring differences (old=new): W=W2; W1-Y1 jumper required.
R1024	Lennox logo; fast cycle stage 2 heat; fixed anticipator stage 1 heat and cool; changeover with cooling; used with Q672B1160 and Q672L1003.		See subbase description for replacement information.
R1032	York logo; fixed anticipator stage 1 and 2 heat and stage 1 cool; changeover with cooling; used with Q672L1011.	Y594R1664	
R1040	Lennox logo; fast cycle stage 2 heat; fixed anticipator stage 1 heat and cool; isolated stage 2 heat switch; changeover with cooling; used with Q672B1202 no. P-8-11221, Q672L1029		See subbase description for replacement information.
R1057	TRADELINe; fixed anticipator stage 1 heat and cool; no anticipator stage 2 heat; changeover on cooling; used with Q672L1037; outdoor reset.	Y594R1763	Designed for use on General Electric heat pumps. Wiring differences (old=new): A=T.
R1065	Adjustable anticipator stage 2 heat; fixed anticipator stage 1 heat and cool; changeover on cooling; used with Q672L1045.	Y594R1243	
R1073	Lennox logo; no. 63A0301; Celsius scale; separate auxiliary heat power circuit; fast cycle stage 2 heat antic.	None	
R1081	Ruud logo; same circuit as T872R1065; used with Q672L1045, L1136.	Y594R1243	
R1099	Dunham Bush special; used with Q672L1060, L1383.	Y594R1243	
R1107	Rheem; no. RXMT-B70; used with Q672L1045, L1136.	Y594R1243	
R1115	Friedrich logo; fixed anticipator; used with Q672B1244, L1086.		See subbase description for replacement information.

<sup>a</sup> When replacing a T872 Thermostat and Q672 Subbase, always replace both the thermostat and the subbase.

**Table 6. T872-T874 Thermostat Cross Reference.**

Model Number	Description	T874 Trade Replacement <sup>a</sup>	Remarks
R1123	York logo; no. 025-21453C; Celsius scale.	Y594R1664	
R1131	Lennox logo; separate auxiliary heat power circuit; fast cycle stage 2 heat anticipator; outdoor reset; used with Q672L1144, C815A1013.	None	
R1149	Westinghouse logo; adjustable stage 2 heat anticipator; cooling changeover; fixed anticipator stage 1 heat and cool; used with Q672L1110, L1128, L1151.	Y594R1243	Wiring differences (old=new): W=W2.
R1156	Marvair logo; used with Q672L1094, L1250.	Y594R1243	Replacement has auto fan in Emergency Heat mode.
R1164	Bard; used with Q672L1185.	Y594R1243	
R1172	Heil Quaker; used with Q672L1193.	Y594R1243	Wiring differences (old=new): B=X, W=W2.
R1180	York; Celsius; used with Q672L1011.	Y594R1664	
R1198	TRADELIN; used with Q672L1227	Y594R1243	
R1206	For use with W89; used with Q672L1235.	None	
R1214	Intertherm logo; used with Q672L1276.	Y594R1300	Wiring differences (old=new): W1=B, Z=L, K=E.
R1222	York logo; used with C815A1039; adjustable anticipator stage-2 heat; used with Q672L1284	Y594R1672	
R1230	Amana logo; no. C62397-1; used with Q672L1300, W89.	None	
R1255	Singer logo; used with Q672L1326 and W89.	None	
R1271	Westinghouse logo; used with Q672L1375 and W89.	Y594R1664	
R1297	York; Celsius scale; used with Q672L1011.	None	
R1305	Used with Q672L1235 and W89.	None	
R1321	Duootherm logo; used with Q672L1409, and W89.	None	
R1339	Williamson; used with Q672L1391.	Y594R1243	
<b>T872S</b>	Heat pump model; 2-stage heat plus changeover, 1-stage cool.		
S1005	Westinghouse logo; adjustable anticipator stage 1 and 2 heat; fixed anticipator stage 1 heat; changeover with heating: used with Q672C1045	T874C1018/ Q674C1058	Wiring differences (old=new): V=RC-RH, F=G, C=Y1, Z=B, H2=W2; W1-Y1 jumper required.
<b>T872T</b>	1-heat stage, 1-vent and 2-cool stages.		
T1004	Trane logo; used with Q672B1129.	None	
<b>T872W</b>	3-heat stages, 2-cool stages, manual changeover		
W1019	Lennox logo; no. 52C7501; used with Q672L1342 and C815A1013.	None	
W1027	Westinghouse logo; used with Q672L1268 and C815A1021.	None	
W1035	TRADELIN; used with C815A1043 and Q672B1251.	Y594W1014	

<sup>a</sup> When replacing a T872 Thermostat and Q672 Subbase, always replace both the thermostat and the subbase.

Table 7. Q672-Q674 Subbase Cross Reference.

Model Number	Description	Q674 Trade Replacement <sup>a</sup>	Remarks
<b>Q672A</b>	System: HEAT-AUTO-COOL, Fan: AUTO-ON		
A1005	Standard OEM	Q674A1019	
A1013	TRADELINE	Q674A1019	
A1021	RC-RH jumper	Q674A1019	RC-RH jumper required.
A1039	RC-RH jumper; Chek Lite	Q674A1019	RC-RH jumper required.
<b>Q672B</b>	System: HEAT-OFF-COOL, Fan: AUTO-ON		
B1004	Standard OEM	Q674B1034	
B1012	Isolated G terminal.	Q674B1018	
B1020	System: HEAT-OFF-RESET-COOL	Q674B1034	Used system off as reset position.
B1038	TRADELINE	Q674B1034	
B1046	Heat pump circuit; used with T872R1008.	Y594R1425	Wiring differences (old=new): W1=Y1, W=W2.
B1053	RC-RH jumper	Q674B1034	RC-RH jumper required.
B1061	Chek Lite	Q674B1034	
B1079	Auto fan operation in heat and cool.	Q674B1075	
B1087	Carrier no. HH93AZ078; RC-RH jumper.	Q674B1075	
B1095	Carrier no. HH93AZ084; RC-RH jumper.	Q674B1034	
B1103	Addison; heat pump circuit; used with T872R1016.	Y594R1425	Wiring differences (old=new): W=W2; W1-Y1 jumper required.
B1111	Carrier no. HH93AZ080; isolated G terminal.	Q674B1018	
B1129	Trane special circuit; used with T872T1004.	None	
B1137	RC-RH jumper; isolated G terminal.	Q674B1018	RC-RH jumper required.
B1145	Fedders special	Q674B1034	RC-RH jumper required.
B1152	Fedders special; auto fan operation in heat and cool.	Q674B1075	
B1160	Lennox; heat pump circuit; used with T872R1024; includes compressor lockout in EM. HT.	Y594R1243	Wiring differences (old=new): V-VR=R, M=Y, Y=W2, F=G, R=O.
B1178	General Electric no. AY28X107; auto fan operation in heat and cool.	Q674B1075	
B1186	Trane; isolated G terminal; Filter LED.	Q674B1018	
B1194	General Electric no. AY28X124; auto fan operation in heat and cool.	Q674B1075	Set T874 stage-1 anticipator for combined load of heat relay and fan relay.
B1202	Lennox no. P-8-11223; heat pump circuit; used with T872R1040.	Y594R1243	Wiring differences (old=new): V-VR=R, M=Y, Y=W2, F=G, R=O.
B1210		None	
B1228	General Electric no. BAY28X137; isolated G terminal.	Q674B1018	
B1236	Carrier no. HH-93AZ079; RC-RH jumper; LOCKOUT LED indicates compressor lockout switch activated.	Q674B1034	RC-RH jumper; LED cannot be provided in TRADELINE model.
B1244	Friedrich; heat mode changeover; used with T872R1115.	T874C1018/ Q674B1034	Wiring differences (old=new): C=no connection; RC-RH and W1-Y1 jumpers required.
B1251	Used with T872W1035 and C815A1043.	Y594W1014	

<sup>a</sup> When replacing a T872 Thermostat and Q672 Subbase, always replace both the thermostat and subbase.

Table 7. Q672-Q674 Subbase Cross Reference.

Model Number	Description	Q674 Trade Replacement <sup>a</sup>	Remarks
B1269	Whalen; Hi-Lo fan switch; constant fan in heat and cool system switch positions; used with T872C1574.	None	
B1277	Square D no. HCB-5.	Q674B1034	
B1285	Wards; RC-RH and F-W3 jumpers; used with T872C1673.	Gas Furnace: T874C1018/ Q674B1034	Adjust anticipator <i>faster</i> for correct performance.
		Electric Furnace: T874C1018/ Q674B1075	
B1293	Lennox no. 41C96; used with T872C1673.	Same as Q672B1285	
<b>Q672C</b>	System: OFF-AUTO, Fan: AUTO-ON		
C1003	Standard OEM	Q674C1058	
C1011	Westinghouse; RC-RH jumper.	Q674C1058	RC-RH jumper required.
C1029	W1-Y2 jumper; for heat pump; used with T872D1136.	Q674E1049	Replacement has heat/cool system switching.
C1037	Chrysler Airtemp; System: COOL-OFF-AUTO.	Q674C1058	
C1045	Westinghouse; heat pump; used with T872S1005.	T874C1018/ Q674C1058	Wiring differences (old=new): V=RC-RH, F=G, C=Y1, Z=B, H2=W2; W1-Y1 jumper required.
C1052	Isolated stage 2 heat circuit for dc electric heat relay.	Recontrol	Use T874G1246/Q674F1212 which adds HEAT-COOL-EM.HT. system switch.
C1060	Fedders special.	Q674C1058	
C1078	General Electric no. AY28X109.	Q674C1058	
C1086	Command-Aire; heat pump; used with T872H1009.	Y594H1012	
C1102	TRADELIN	Q674C1058	
<b>Q672D</b>	System: None. Fan: None.		
D1002	Standard OEM; used with T872F1126.	Q674D1040	
D1010	Lennox special.	None	
D1028	Carrier; RC-RH jumper.	None	
D1036	Carrier no. HH93AZ070; RC-RH jumper.	Q674D1040	RC-RH jumper required.
D1044	General Electric no. AY-28X100.	None	
D1069	Square D no. HCB-4.	None	
D1077	York; used with T872G1364.	None	
D1085	TRADELIN	Q674D1040	
<b>Q672E</b>	System: OFF-HEAT-AUTO-COOL Fan: AUTO-ON		
E1001	Standard OEM	Q674E1049	
E1019	Lennox no. P-8-8892; heat pump; cool mode changeover; used with T872G1026.	T874D1165/ Q674B1075	
E1027	Heat pump circuit; W1-Y2 jumper; cool mode changeover; used with T872G1018.	Y594G1393	Wiring differences (old=new): Y1=O, Y2=Y.
E1035	Heat pump circuit; W1-Y2 jumper; cool mode changeover.	Y594G1393	Wiring differences (old=new): Y1=O, Y2=Y.
E1043	Heat pump circuit; heat mode changeover.	Q674E1049	Wiring differences (old=new): W1=B, W2=W1; W1-Y1 jumper.

<sup>a</sup> When replacing a T872 Thermostat and Q672 Subbase, always replace both the thermostat and subbase.



Table 7. Q672-Q674 Subbase Cross Reference.

Model Number	Description	Q674 Trade Replacement <sup>a</sup>	Remarks
E1050	TRADELIN	Q674E1049	
E1068	RC-RH jumper; used with T872C1699.	Q674E1049	RC-RH jumper required.
E1076	RC-RH internal jumper; EM. HT. LED.	Q674E1049	RC-RH jumper required.
E1084	Carrier no. HH93AZ076; RC-RH jumper.	Q674E1049	RC-RH jumper required.
E1092	Carrier no. HH93AZ082; RC-RH jumper; B terminal; isolated G terminal.	Q674E1049	
E1100	General Electric no. AY28X099.	Q674E1049	
E1118	Airtemp; heat pump; used with T872D1169.	T874D1165/ Q674E1049	Wiring differences (old=new): A=W1; set H1 anticipator to 1.2A.
E1126	Common R terminal.	Q674E1049	RC-RH jumper required.
E1134	ITT Nesbitt; RC-RH jumper; O and B terminals; isolated G terminal.	Q674E1049	
E1142	Lennox no. P-8-11224; heat pump; V-VR jumper; cool mode changeover; used with T872G1067.	Y594G1252	Wiring differences (old=new): V-VR=R, Y=W2, R=O, M=Y, F=G.
E1159	Carrier no. HH93AZ077; RC-RH jumper; LOCKOUT LED indicates activation of compressor lockout switch.	Q674E1049	RC-RH jumper required; no LED in TRADELINE model.
E1167	Square D no. HCB-2; Chek Lite.	Q674E1049	
E1183	Square D no. HCB-3.	Q674E1049	
E1191	Lennox; HIGH and LOW LEDs; used with T872D1045.	Q674E1049	No LEDs on replacement.
<b>Q672F</b>	System: EM. HT.-HEAT-AUTO-COOL-OFF Fan: AUTO-ON.		
F1000	With EM. HT. LED; used with T872C1699.	Q674F1022	Remove W3-X2 jumper to E-X2.
F1018	Heat pump; heat mode changeover; Chek Lite; used with T872G1000.	Y594G1252	Wiring differences (old=new): W=W2, X1=X.
F1026	Chek Lite; W2-X2 jumper.	Q674F1022	
F1034	Airtemp; EM. HT. LED; RC-RH and X2-E jumpers.	Q674F1022	If RC-RH jumper removed on Q672F1034, Q674F1022 does not replace.
F1042	W2-X2 jumper; Chek Lite.	Q674F1022	
F1059	Carrier no. HH93AZ074; EM. HT. LED.	Q674F1022	Remove W2-X2 jumper to E-X2; X terminal same as C.
F1067	Lennox; heat pump; cool mode changeover; EM. HT. LED; used with T872G1026.	None	
F1075	Heat pump circuit; EM. HT. LED; 2 terminal; RC-RH jumper.	None	
F1083	Lennox no. P-8-11225; heat pump; V-VR jumper; cool mode changeover; EM. HT. LED; used with T872G1067.	None	
F1091	Westinghouse; heat pump; EM. HT. LED; cool mode changeover; compressor lockout in EM. HT.; used with T872G1034.	Y594G1252	Wiring differences (old=new): W=W2.
F1109	Airtemp no. 3778567ACC; R-X2 jumper; EM. HT. LED.	Q674F1022	R-X2 jumper required.
F1117	Tappan no. 080-13708-53; heat pump; EM. HT. LED; cool mode changeover; compressor lockout and auto fan in EM. HT.; used with T872G1109, G1216, G1372.	Y594G1252	Wiring differences (old=new): C=X.

<sup>a</sup> When replacing a T872 Thermostat and Q672 Subbase, always replace both the thermostat and subbase.

Table 7. Q672-Q674 Subbase Cross Reference.

Model Number	Description	Q674 Trade Replacement <sup>a</sup>	Remarks
F1125	BDP no. 3442DP90; used with T872G1117, G1166, G1174.	Y594G1252	Wiring differences (old=new): C=X.
F1133	Williamson; heat pump; EM. HT. LED; heat mode changeover; compressor lockout in EM. HT.; used with T872N1010.	T874N1016/ Q674F1220	
F1141	Westinghouse; EM. HT. LED; auto fan in EM. HT.; used with T872G1034.	Y594G1252	Wiring differences (old=new): W=W2.
F1158	Rheem Ruud; heat pump; EM. HT. LED; cool mode changeover; compressor lockout in EM. HT.; used with T872G1083, G1133, G1141; auto fan in EM. HT.	Y594G1252	
F1166	Crispaire; EM. HT. LED; used with T872G1208.	Y594G1252	
F1174	Carrier no. HH93AZ081; EM. HT. LED.	Q674F1022	
F1182	Square D no. HCB-1; Chek Lite; R-X2 jumper; System: Aux. Heat replaces EM. HT.	Q674F1022	R-X2 jumper; add monitor switch between X1 and low side of power.
F1190	EM. HT. LED; X2-E and RC-RH jumpers.	None	
F1208	TRADELIN; cool mode changeover; EM. HT. LED; used with T872G1224.	Y594G1419	
F1216	TRADELIN; heat mode changeover; EM. HT. LED; used with T872N1028.	T874N1016/ Q674F1220	
F1224	Heatwave (Southwest Mfg.); compressor lockout in EM. HT.; EM. HT. LED; used with T872G1232.	Y594G1252	
F1232	Rheem; cool mode changeover; EM. HT. and AUX. HEAT LEDs; compressor lockout in EM. HT.; used with T872G1133.	Y594G1252	
F1240	Lennox; cool mode changeover; EM. HT. and SERVICE LEDs; used with T872G1240.	None	
F1257	Westinghouse; cool mode changeover; EM. HT. and AUX. HEAT LEDs; auto fan in EM. HT.; used with T872G1034.	Y594G1252	Wiring differences (old=new): W=W2.
F1265	Wesco Addison; Chek and EM. HT. LEDs; used with T872G1281, G1265.	Y594G1252	Wiring differences (old=new): C=X.
F1273	Southwest special; no. 0361-136; W2-X2 jumper.	None	
F1281	Luxaire special; used with T872G1315.	Y594G1252	
F1299	Bard special; used with T872N1036, N1044.	T874N1016/ Q674F1220	
F1315	Williamson special; used with T872N1010.	T874N1016/ Q674F1220	
F1323	Crispaire special; used with T872G1208.	Y594G1252	
<b>Q672G</b>	System: OFF-AUTO. Fan: None.		
G1009	Standard OEM	Q674G1070	
G1017	Singer; O-B jumper; used with T872D1375.	Q674G1070	
G1025	Includes O and B terminals.	Q674G1070	
G1033	General Electric no. AY28X102.	Q674G1070	
G1041	Singer no. 02005649; French wording; O-B jumper.	Q674G1070	Less French wording.
G1066	SLI-Mammoth; heat pump; heat mode changeover.	Q674G1070	Connect fan (G) wire to Y1 terminal; B-O and RC-RH jumpers.

<sup>a</sup> When replacing a T872 Thermostat and Q672 Subbase, always replace both the thermostat and subbase.

Table 7. Q672-Q674 Subbase Cross Reference.

Model Number	Description	Q674 Trade Replacement <sup>a</sup>	Remarks
G1074	Singer no. 02005754; X1 and X2 terminals for field-added indicator lights; used with T872D1375.	None	
G1082	Singer no. 02005792; X1 and X2 terminals for field-added indicator lights; used with T872D1375.	None	
G1090	TRADELIN; B and O terminals.	Q674G1070	
<b>Q672H</b>	System: OFF-ON Fan: NIGHT INT.-DAY CONT.		
H1008	Used with T872.	None	
<b>Q672J</b>	System: EM. HT.-AUTO-OFF Fan: AUTO-ON.		
J1005	With EM. HT. LED; used with T872C or D.	None	
J1013	Westinghouse; heat pump; EM. HT. LED; cool mode changeover; compressor lockout in EM. HT.; used with T872G1034.	Y594G1252	
J1021	York; heat pump; EM. HT. LED; cool mode changeover; compressor lockout and auto fan in EM. HT.; E-W jumper; used with T872G1042, G1331, G1398.	Y594G1567	
J1039	Heat pump; EM. HT. and AUX. HEAT LEDs; cool mode changeover; compressor lockout and auto fan in EM. HT.; used with T872G1059.	Y594G1161	Designed for use on General Electric heat pumps.
J1047	Singer no. 02005699; heat pump; EM. HT. LED; heat mode changeover.	Q674F1022	
J1054	Carrier no. HH93AZ073A; heat pump; EM. HT. LED; cool mode changeover; compressor lockout in EM. HT.; used with T872G1075, G1182, G1307.	Y594G1252	Wiring differences (old=new): C=X.
J1062	Westinghouse; EM. HT. and AUX. HEAT LEDs; used with T872G1034.	Y594G1252	Wiring differences (old=new): W=W2.
<b>Q672K</b>	System: OFF-HEAT-AUTO-COOL. Fan: None.		
K1004	Carrier no. HH93AZ072.	Q674E1049	Fan switch does not function.
K1012	Oneida Heater no. 30A0288-01; System: OFF-WOOD-WOOD/OIL-OIL; used with T872F1175.	T874F1155/ Q674K1026	
<b>Q672L</b>	System: EM. HT.-HEAT-OFF-COOL. Fan: ON-AUTO.		
L1003	Lennox; heat pump; EM. HT. LED; cool mode changeover; used with T872R1024.	Y594R1425	
L1011	York; heat pump; EM. HT. LED; cool mode changeover; compressor lockout and auto fan in EM. HT.; used with T872R1032, R1180, R1297.	Y594R1664	
L1029	Lennox no. P-8-11226; heat pump; EM. HT. LED; V-VR jumper; cool mode changeover; compressor lockout in EM. HT.; used with T872R1040.	Y594R1425	Wiring differences (old=new): V-VR=R, M=Y, Y=W2, F=G, R=O.
L1037	Heat pump; EM. HT. and AUX. HT. LEDs; cool mode changeover; compressor lockout and auto fan in EM. HT.; used with T872R1057.	Y594R1763	Wiring differences (old=new): A=T; designed for used on General Electric heat pumps.
L1045	Rheem; heat pump; EM. HT. LED; cool mode changeover; compressor lockout in EM. HT.; auto fan in EM. HT.; used with T872R1065, R1081, R1107.	Y594R1243	

<sup>a</sup> When replacing a T872 Thermostat and Q672 Subbase, always replace both the thermostat and subbase.

**Table 7. Q672-Q674 Subbase Cross Reference.**

Model Number	Description	Q674 Trade Replacement <sup>a</sup>	Remarks	
L1052	Carrier no. HH93AZ075; heat pump; EM. HT. LED; cool mode changeover; compressor lockout in EM. HT.; used with T872G1075, G1182, G1273, G1307.	Y594R1615	Wiring differences (old=new): C=X.	
L1060	Dunham Bush; EM. HT. LED; used with T872R1099.	Y594R1243		
L1078	Tappan no. B13708-58; heat pump; EM. HT. LED; cool mode changeover; compressor lockout in EM. HT.; EM. HT. relay provides fan operation in EM. HT.; used with T872G1190.	None		
L1086	Friedrich; heat mode changeover; EM. HT. LED; used T872R1115 with L terminal.	Y594R1243	Wiring differences (old=new): X2=E, C=X.	
L1094	Crispaire; W2-H jumper; EM. HT. LED; used with T872R1065, R1156.	Y594R1243	Replacement has auto fan in Emergency Heat mode.	
L1102	Fedders; heat mode changeover; EM. HT. LED; used with T872C1509, C1517, C1541.	Y594R1425	Wiring differences (old=new): K=E, C=X; remove Y-W1 jumper.	
L1110	Westinghouse; EM. HT. LED; used with T872R1149.	Y594R1243	Wiring differences (old=new): W=W2.	
L1128	Westinghouse; EM. HT. LED; used with T872R1149.	Y594R1243	Wiring differences (old=new): W=W2.	
L1136	Rheem no. 41-20796-07; cool mode changeover; EM. HT. and AUX. HT. LEDs; used with T872R1081, T872R1107.	Y594R1243		
L1144	Lennox; V-VR jumper; EM. HT. and SERVICE LEDs; isolated stage 2 heat; used with T872R1131, C815A1013.	None		
L1151	Westinghouse; AUX. HT. and EM. HT. LEDs; used with T872R1149.	Y594R1243	Wiring differences (old=new): W=W2.	
L1169	Carrier no. HH93AZ071; EM. HT. LED; used with T872G1257 (HH07AT073).	None		
L1177	York; DoD; EM. HT. LED; used with T872G1299.	Y594G1567		
L1185	Bard; used with T872R1164.	Y594R1243		
L1193	Heil Quaker no. NAXA001TS01; used with T872R1172.	Y594R1243	Wiring differences (old=new): B=X, W=W2.	
L1201	Lennox special; no. 1485701; used with T872G1323.	None		
L1219	Westinghouse special; used with T872G1356.	T874D1165/ Q674F1022		Wiring differences (old=new): X=X1, L=X2, W=E; Y1-W1 and Y2-W2 jumpers required.
L1227	Heat pump; used with T872R1198.	Y594R1243		
L1235	Intertherm; used with T872R1206, R1305.	None		
L1250	Crispaire special; used with T872R1156 and C815A1021.	Y594R1243		
L1268	Westinghouse special; used with T872W1027 and C815A1021.	None		
L1276	Intertherm special; used with T872R1214.	Y594R1300		Wiring differences (old=new): W1=B, Z=L, K=E.
L1284	York special; used with T872R1222.	Y594R1672		
L1300	Amana special; no. C62345-1; used with T872R1230.	None		
L1326	Singer; used with T872R1255.	None		

<sup>a</sup> When replacing a T872 Thermostat and Q672 Subbase, always replace both the thermostat and subbase.

Table 7. Q672-Q674 Subbase Cross Reference.

Model Number	Description	Q674 Trade Replacement <sup>a</sup>	Remarks	
L1342	Lennox no. 52C7601; used with T872W1019 and C815A1013.	None		
L1375	Westinghouse; used with T872R1271, W89.	None		
L1383	Dunham Bush; used with T872R1099.	Y594R1243		
L1391	Williamson; used with T872R1339.	Y594R1243		
L1409	Duotherm special; used with T872R1321, W89.	None		
<b>Q672N</b>	System: OFF-HEAT-COOL-EVAP.			
N1001	Goettl; heat pump; heat mode changeover; evaporative cooler circuit; Fan: AUTO-ON; System: AUTO; used with T872C1459.	None		
N1019	Goettl; heat pump; heat mode changeover; evaporative cooler circuit; W1-Y1 jumper; used with T872C1459.	None		
N1027	Siegler special; used with T872C1707.	None		
<b>Q672P</b>	System: EM. HT.-HEAT-COOL.			
P1009	Carrier special; no. HH93AZ069; used with T872G1075 (HH07AT071).	Y594R1243		Replacement has OFF system switch position

<sup>a</sup> When replacing a T872 Thermostat and Q672 Subbase, always replace both the thermostat and subbase.

Table 8. T874 Cross Reference.

Model Number	Fig. No.	Description	Trade Model Replacement	Remarks
<b>T874A</b>		1-stage heat, 1-stage cool.		
A1002	44, 65	Honeywell logo; Standard OEM; used with Q674B1331.	T874A1036	
A1010	44	Honeywell logo; includes Allen wrench and screws to lock cover; non-adjustable range stops set at 72°F (max. heat) and 78°F (min. cool) (22-26°C); field adjustable locking levers.	T874A1010	
A1028	44	Honeywell logo; heat anticipator factory set at 0.4A.	T874A1036	
A1036	44	Honeywell logo; TRADELINE® model; includes Allen wrench and screws to lock cover; field adjustable locking levers.	T874A1036	
A1044	44	<u>Obsolete.</u> AAF/Snyder General logo; part no. 4ELN-3006C; °F/°C scaleplate.	T874A1036	Replacement has °F scaleplate.
A1051	44	Lennox logo; part no. 12F9901; °F/°C scaleplate; heat anticipator set at 0.45A.	T874A1036	Replacement has °F scaleplate.
A1069	44	<u>Obsolete.</u> Westinghouse logo; used with Q674A-E,G.	T874A1036	
A1077	46, 82	<u>Obsolete.</u> Amana Air Conditioning logo; part no. D68535-1; heat anticipator factory set at 1.2A; used with Q674B1075, E1056; used in Y594A1001, A1019.	T874A1036	
A1085	44, 46, 55, 66	<u>Obsolete.</u> Trane logo; part no. 13510451; used with Q674B1018, B1075, D1008.	T874A1036	
A1093	44	<u>Obsolete.</u> McQuay logo; part no. 02005935; °F/°C scaleplate.	T874A1036	Replacement has °F/°C scaleplate.
A1101	51, 53	Carrier logo; part no. HH07AT174; used with Q674B.	Y594C1421 or T874A1036 <sup>a</sup>	When using the T874C1036, set stage 1 heat anticipator for total current draw of fan and stage 1 heat primary.
A1119	82	<u>Obsolete.</u> Sears logo; part no. 541. 91441/49. 9144; °F/°C scaleplate; used with Q674E1007; used in Y594A1068.	T874A1036	Replacement has °F scaleplate.
A1127	44	<u>Obsolete.</u> Climate Control logo; part no. 02005936; °C scaleplate.	T874A1036	Replacement has °F scaleplate.
A1135	44	Fedders multi-logo; part no. THTX-110-WCHA, 88-58-00500-001.	T874A1036	
A1143	44	Honeywell logo; °C scaleplate.	T874A1036	Replacement has °F scaleplate.
A1150	44	Honeywell logo; TRADELINE model; includes Allen wrench and screws to lock cover; field adjustable locking levers (68°F max. heat, 78°F min. cool).	T874A1150	
A1168	44	<u>Obsolete.</u> Trane Comfort Corps logo.	T874A1036	
A1176	44	Honeywell logo; meets DoD specs; includes Allen wrench and screws to lock cover; no thermometer; non-adjustable range stops set at 72°F (max. heat) and 78°F (min. cool) (22-26°C); field adjustable locking levers.	T874A1176	
A1184	51, 53	Trane logo; part no. BAY28X182; °F/°C scaleplate; automatic fan in heating and cooling modes; heat anticipator set at 0.4A; used with Q674B1141, E1080.	T874A1036 <sup>a</sup>	When used with Q674E1080, set stage 1 heat anticipator for total current draw of fan and stage 1 heat primary; replacement has °F scaleplate.
A1192	44	<u>Obsolete.</u> Lennox logo; part no. 13F0001; °C scaleplate; heat anticipator factory set at .458A.	T874A1036	Replacement has °F scaleplate.

<sup>a</sup>Both the thermostat and subbase must be replaced.

Table 8. T874 Cross Reference.

Model Number	Fig. No.	Description	Trade Model Replacement	Remarks
A1200	51, 53	<u>Obsolete.</u> Carrier logo; part no. HH07AT164; °C scaleplate; includes Allen wrench and screws to lock cover; used with Q674B.	T874A1036 <sup>a</sup>	Set stage 1 heat anticipator for total current draw of fan and stage 1 heat primary; replacement has °F scaleplate.
A1226	44	Honeywell logo; Honeywell Canada TRADELINE model; °C scaleplate; includes Allen wrench and screws to lock cover.	T874A1036	Replacement has °F scaleplate.
A1234	44	<u>Obsolete.</u> Friedrich Climate Master logo; heat anticipator factory set 1.2A.	T874A1036	
A1242	44	<u>Obsolete.</u> Friedrich Climate Master logo.	T874A1036	
A1259	44	<u>Obsolete.</u> Wesco logo; heat anticipator set at 0.8A.	T874A1036	
A1267	59	<u>Obsolete.</u> McQuay logo; used with Q674Q1004.	T874A1036	
A1275	44	<u>Obsolete.</u> Lennox logo; part no. 13F0101; meets DoD specifications.	T874A1176	
A1283	75	McQuay Air Conditioning logo; part no. 03005047; used with Q674C1132 and thermistor to display outdoor temperature.	T874A1036	
A1291	64	No logo; three-speed fan; one setpoint lever for heat and cool setpoints; used with Q674Q1012; used in Y594A1126.	T874A1036/ Q674B1075 <sup>a</sup>	Replacement has two levers and 1 speed fan.
A1309	44	<u>Obsolete.</u> Arcoaire Air Conditioning and Heating logo; part no. AO2076; includes Allen wrench and screws to lock cover.	T874A1036	
A1317	44	<u>Obsolete.</u> McQuay logo; part no. 60685301; no scaleplate; used with Q674A-E,G.	T874A1036	
A1325	75	<u>Obsolete.</u> McQuay logo; part no. 60685401; no scaleplate; used with Q674C1306 and outdoor thermistor to display outdoor temperature.	T874A1036	
A1341	44	<u>Obsolete.</u> Trane logo; part no. THT-0577; meets DoD specifications.	T874A1176	
A1358	44	York-Miraco logo.	T874A1036	
A1366	51, 53	<u>Obsolete.</u> BDP Multi-logo; part no. HH07AT182.	T874A1036 <sup>a</sup>	Set stage 1 heat anticipator for total current draw of fan and stage 1 heat primary.
A1374	44	American Standard logo; part no. ASYSTAT610; heat anticipator factory set at 0.4A.	T874A1036 <sup>a</sup>	
A1390	44	<u>Obsolete.</u> Climate Control logo; part no. 654958804; °F/°C scaleplate.	T874A1036	Replacement has °F scaleplate.
A1416	44	<u>Obsolete.</u> Reznor logo; part no. 654758803; °F/°C scaleplate.	T874A1036	Replacement has °F scaleplate.
A1424	214	<u>Obsolete.</u> Carrier Olympia Series Split System logo; part no. HH07AT194; used with Q674B1455 (HH93AZ208).	See OEM for replacement.	
A1440	91	<u>Obsolete.</u> Simplex System 2000 logo; heat anticipator factory set at 1.2A; used with Q674G1005; used in Y594A.	T874A1036	
A1465	212	Honeywell Trol-A-Temp™ logo; Premier White® color; heat anticipator factory set at 0.10A; used with Q674E1379.	None	See Trol-A-Temp for replacement.

<sup>a</sup>Both the thermostat and subbase must be replaced.

Table 8. T874 Cross Reference.

Model Number	Fig. No.	Description	Trade Model Replacement	Remarks
A1481	44	<u>Obsolete.</u> Honeywell logo; Carrier part no. HH621602; includes locking cover and non-adjustable range stops set at 72°F (max. heat) and 78°F (min. cool).	T874A1036	
A1507	44	<u>Obsolete.</u> Climate-Tel logo; includes Allen wrench and screws to lock cover and non-adjustable range stops set at 72°F (max. heat) and 78°F (min. cool).	T874A1176	
A1523	224, 225	<u>Obsolete.</u> AAF/Snyder General logo; part no. 066804404; °F/°C scaleplate; no cooling anticipation; used with Q674E1312, C1298.	See OEM for replacement.	
A1549	224, 225	<u>Obsolete.</u> McQuay logo; part no. 066816601; no cooling anticipation; used with Q674E1312, C1298.	See OEM for replacement.	
A1556	51, 53	Carrier logo; part no. HH07AT164-W; °C scaleplate; Premier White® color; includes Allen wrench and screws to lock cover; used with Q674B.	T874A1036 <sup>a</sup>	Replacement has °F scaleplate; replacement is beige.
A1572	224, 225	<u>Obsolete.</u> McQuay logo; part no. 066816611; Premier White® color; °F/°C scaleplate; no cooling anticipation.	See OEM for replacement.	
A1580	91	California Economizer logo; Premier White® color; heat anticipator factory set at 1.2A.	T874A1036	
A1598	224, 225	McQuay logo; part no. 073319001; Premier White® color; °F/°C scaleplate; includes Allen wrench, screws to lock cover and AAF insert.	See OEM for replacement.	
A1614	44	Honeywell logo; TRADELINE® model; °C scaleplate; Premier White® color; includes Allen wrench and screws to lock cover; used with Q674B.	T874A1036	Replacement has °F scaleplate; replacement is beige.
A1622	44	<u>Obsolete.</u> York logo; part no. 2TH04703224A; includes Allen wrench and screws to lock cover and non-adjustable range stops set at 72°F (max. heat) and 78°F (min. cool).	T874A1010	
T874B		1-stage heat, 2-stage cool.		
B1001	44	<u>Obsolete.</u> Honeywell logo.	T874B1019	
B1019	44	Honeywell logo; TRADELINE model; includes Allen wrench and screws to lock cover.	T874B1019	
B1027	44	<u>Obsolete.</u> Westinghouse logo.	T874B1019	
B1035	44, 46	<u>Obsolete.</u> Trane logo; used with Q674B1018, B1075; used in Y594B1026, B1034.	T874B1019	
B1043	44	<u>Obsolete.</u> Honeywell logo; °C scaleplate.	T874B1019	Replacement has °F scaleplate.
B1050	44	Lennox logo; part no. 13F0201; °F/°C scaleplate.	T874B1019	Replacement has °F scaleplate.
B1068	44	Honeywell logo; Honeywell Canada TRADELINE model; °C scaleplate; includes Allen wrench and screws to lock cover.	T874B1019	Replacement has °F scaleplate.
B1076	88	<u>Obsolete.</u> Lennox Power Saver Two-Speed logo; part no. 91C7401; °F/°C scaleplate; used with Q674E1155.	T874B1019	Replacement has °F scaleplate.
B1084	44	<u>Obsolete.</u> Lennox Two-Speed logo; part no. 13F0301; °C scaleplate.	T874B1019	Replacement has °F scaleplate.
B1092	44	<u>Obsolete.</u> Honeywell logo; Heil Quaker part no. HQ521389HW.	T874B1019	
B1100	88	<u>Obsolete.</u> Janitrol logo; part no. CHTS36-60; °F/°C scaleplate; used with Q674E1338; used in Y594B1042.	T874B1019	Replacement has °F scaleplate.
B1118	44	Honeywell logo; °C scaleplate; used with Q674A-E, G.	T874B1019	Replacement has °F scaleplate.

<sup>a</sup>Both the thermostat and subbase must be replaced.



Table 8. T874 Cross Reference.

Model Number	Fig. No.	Description	Trade Model Replacement	Remarks
B1134	222	<u>Obsolete.</u> Carrier Synergy 2000 logo; part no. HH07AT199; °C scaleplate; used with Q674E1395 (HH93AZ209).	T874B1019/ Q674E1049 <sup>a</sup>	Wiring differences (old=new): W1=W; RC-RH jumper required; replacement has no LEDs.
<b>T874C</b>		2-stage heat, 1-stage cool.		
C1000	44, 76	Honeywell logo; used with Q674B1075, C1181; used in Y594C1058.	T874C1018	
C1018	60, 61, 81, 92	Honeywell logo; TRADELINE model; includes Allen wrench and screws to lock cover; used with Q674C1074.	T874C1018	
C1026	44	<u>Obsolete.</u> AAF logo; °C scaleplate; includes Allen wrench and screws to lock cover; non-adjustable range stops set at 23°C (max. heat and min. cool) (73°F).	T874C1018	Replacement has °F scaleplate.
C1034	44	Lennox logo; part no. 13F0401; °F/°C scaleplate.	T874C1018	Replacement has °F scaleplate.
C1042	44	<u>Obsolete.</u> Westinghouse logo; H1 anticipator factory set at .75A; H2 anticipator factory set at 1.2A; used with Q674A-E, G.	T874C1018	
C1059	44, 142	<u>Obsolete.</u> Amana Air Conditioning logo; part no. D68535-2; H1 anticipator factory set at 1.2A; used with Q674E1056, Q674B1059, Q674F1022; used in Y594C1009, Y594C1017, Y594C1256, Y594C1330.	T874C1018	
C1067	44	<u>Obsolete.</u> Sears logo; part no. 42. 9297; °F/°C scaleplate.	T874C1018	Replacement has °F scaleplate.
C1075	51, 53	Carrier logo; part no. HH07AT170; used with Q674B1166.	Y594C1421 or T874C1018 <sup>a</sup>	When using the T874C1018, set stage 1 heat anticipator for total current draw of fan and stage 1 heat primary.
C1083	44	<u>Obsolete.</u> Trane logo; used with Q674E1007; used in Y594C1082.	T874C1018	
C1117	44	Honeywell logo; °C scaleplate.	T874C1018	Replacement has °F scaleplate.
C1125	60, 61, 92	<u>Obsolete.</u> Honeywell logo; 12°F (6.7°C) differential between stage 1 heat and stage 2 heat; used with Q674G1047.	T8611M2025	
C1133	96	<u>Obsolete.</u> AAF/Snyder General logo; part no. 4ELN7546; no H1 heat anticipation; used with Q674A-G, N and Q674C1173.	T874C1018	Must have H1 anticipator set to maximum value.
C1141	44	<u>Obsolete.</u> Honeywell logo; meets DoD specs; includes Allen wrench and screws to lock cover; no thermometer; non-adjustable range stops set at 72°F (max. heat) and 78°F (min. cool) (22-26°C); field adjustable locking levers.	T874C1141	
C1158	44	<u>Obsolete.</u> Solaron special.	T874C1018	
C1166	51, 53	<u>Obsolete.</u> Carrier logo; part no. HH07AT160; °C scaleplate; includes Allen wrench and screws to lock cover; used with Q674B.	T874C1018 <sup>a</sup>	Replacement has °F scaleplate; set stage 1 heat anticipator for total current draw of fan and stage 1 heat primary.
C1174	44	<u>Obsolete.</u> Goettl logo.	T874C1018	
C1182	60	<u>Obsolete.</u> Goettl logo; H1 anticipator factory set at 0.8A; used with Q674N1015.	T874C1018	
C1190	44	<u>Obsolete.</u> Lennox logo; part no. 13F0501; °C scaleplate.	T874C1018	Replacement has °F scaleplate.

<sup>a</sup>Both the thermostat and subbase must be replaced.

Table 8. T874 Cross Reference.

Model Number	Fig. No.	Description	Trade Model Replacement	Remarks
C1216	44	<u>Obsolete.</u> Fasco part no. 1230-8197.	T874C1018	
C1224	105	<u>Obsolete.</u> Square D logo.	T874C1018	
C1240	44	Honeywell logo; Honeywell Canada TRADELINE model; °C scaleplate; includes Allen wrench and screws to lock cover.	T874C1018	Replacement has °F scaleplate.
C1257	44	<u>Obsolete.</u> Singer part no. 0200-5931; 8°F (4.4°C) differential between H1 and H2 heat.	T874C1125	Replacement has 12°F differential between H1 and H2 heat.
C1265	44	<u>Obsolete.</u> Singer special; °C scaleplate; 5°C (8°F) differential between H1 and H2 heat.	T874C1125	Replacement has 12°F differential between H1 and H2 heat; replacement has °F scaleplate.
C1273	44	Honeywell logo; °C scaleplate; includes Allen wrench and screws to lock cover; non-adjustable range stops factory set at 23°C (max. heat and min. cool) (73°F).	T874C1018	Replacement has °F scaleplate.
C1281	44	<u>Obsolete.</u> Heat Wave special.	T874C1018	
C1307	44	<u>Obsolete.</u> Friedrich Climate Master logo.	T874C1018	
C1315	44	<u>Obsolete.</u> Wesco logo; heat anticipator factory set at 0.8A.	T874C1018	
C1323	44	<u>Obsolete.</u> Le Chauffage Urbain special; °C scaleplate.	T874C1018	Replacement has °F scaleplate.
C1331	82, 141	<u>Obsolete.</u> Duotherm logo; used with Q674E or Q674F.	T874C1018	
C1349	61	<u>Obsolete.</u> Sigler logo; used with Q674N1023.	T874C1018	
C1372	52	<u>Obsolete.</u> Honeywell logo; used with Q674B1190.	T874C1018/ Q674B1034	For systems requiring automatic fan in cooling mode only.
			T874C1018/ Q674B1075	For systems requiring automatic fan in heating and cooling.
C1398	105	<u>Obsolete.</u> Fedders logo; °F/°C scaleplate; used with Q674L1090.	Y594R1425 <sup>a</sup>	Wiring differences (old=new): K=E, C=X; replacement has °F scaleplate.
C1406	105	<u>Obsolete.</u> Climatrol logo; °F/°C scaleplate; used with Q674L1090.	Y594R1425 <sup>a</sup>	Wiring differences (old=new): K=E, C=X; replacement has °F scaleplate.
C1414	105	<u>Obsolete.</u> Airtemp logo; °F/°C scaleplate; used with Q674L1090.	Y594R1425 <sup>a</sup>	Wiring differences (old=new): K=E, C=X; replacement has °F scaleplate.
C1422	187	<u>Obsolete.</u> Honeywell logo; used with Q674B1208.	None	
C1430	49	<u>Obsolete.</u> Lennox Zone Master Two-Speed logo; part no. 25F7201; used with Q674B1224.	T874C1018	
C1448	110, 190	<u>Obsolete.</u> Lennox logo; part no. 24F5101; meets DoD specifications; requires outdoor reset; used with Q674L1165, L1355.	Y594R1763 <sup>a</sup>	Wiring differences (new=old): R=V-VR, Y=M, G=F, B-X, W=Y, T=A, O=R, X2=E; Emergency Heat becomes stage 1 heat source.
C1455	127	<u>Obsolete.</u> Williamson logo; used with Q674L1322.	Y594R1243 <sup>a</sup>	
C1463	82	<u>Obsolete.</u> AAF logo; °C scaleplate.	T874C1018	Replacement has °F scaleplate.
C1471	56	<u>Obsolete.</u> Mammoth logo; part no. 71120102; used with Q674B1257; used in Y594C1314.	T874C1018	

<sup>a</sup>Both the thermostat and subbase must be replaced.

Table 8. T874 Cross Reference.

Model Number	Fig. No.	Description	Trade Model Replacement	Remarks
C1489	121	<u>Obsolete.</u> Honeywell logo; non-adjustable range stops set at 75°F (max. heat and min. cool) (24°C); used with Q674L1157.	Y594C1322 <sup>a</sup>	
C1497	121	<u>Obsolete.</u> Honeywell logo; meets DoD specifications; used with Q674L1157.	Y594C1322 <sup>a</sup>	
C1513	44	<u>Obsolete.</u> Borg-Warner multi-logo; part no. 6TH11703124A.	T874C1018	
C1562	44	<u>Obsolete.</u> Honeywell logo; Heil Quaker part no. HQ712001HW.	T874C1018	
C1570	45	<u>Obsolete.</u> Williamson logo; used with Q674B1000; used in Y594C1280.	T874C1018	
C1638	121	<u>Obsolete.</u> Honeywell logo; meets DoD specifications; includes Allen wrench and screws to lock cover; no thermometer; non-adjustable range stops set at 72°F (max. heat) and 78°F (min. cool) (22-26°C); field adjustable locking levers; used with Q674L1561; used in Y594C1322.	Y594C1322 <sup>a</sup>	
C1653	70	<u>Obsolete.</u> Fiberglas Canada; °C scaleplate; no H1, H2, or C1 anticipation; used with Q674S1000; used in Y594C1348.	See OEM for replacement.	
C1661	99	<u>Obsolete.</u> McQuay logo; part no. 61202401; °F/°C scaleplate; includes momentary system switch position with spring release; used with Q674C1363.	T874C1125/ Q674B1075 <sup>a</sup>	Replacement has HEAT-OFF-COOL system switching; no momentary system switch position; no LEDs.
C1695	45	<u>Obsolete.</u> Miller logo; used with Q674B1000; used in Y594C1355.	T874C1018	
C1703	45	<u>Obsolete.</u> Intertherm logo; used with Q674B1000; used in Y594C1363.	T874C1018	
C1737	44	<u>Obsolete.</u> Honeywell logo; Carrier part no. HH621603.	T874C1018	
C1745	44	<u>Obsolete.</u> AAF/Snyder General logo; part no. 4ELN7919.	T874C1018	
C1752	219	<u>Obsolete.</u> McQuay/Snyder General logo; part no. 061202402; 12°F offset between H1 and H2; °F/°C scaleplate; no C1 anticipation; used with Q674C1363.	T8611M2025	
C1760	44	Bard logo.	T874C1018	
C1778	219	<u>Obsolete.</u> AAF/Snyder General logo; part no. 066804405; 12°F offset between H1 and H2; °F/°C scaleplate; no C1 anticipation; used with Q674C1363.	See OEM for replacement.	
C1794	53	<u>Obsolete.</u> Carrier logo; Canada; part no. HH07AT160-W; Premier White® color; °C scaleplate; includes locking cover.	T874C1018	Set stage 1 heat anticipator for total current draw of fan and stage 1 heat primary.
C1802	246	<u>Obsolete.</u> California Economizer logo; °F/°C scaleplate; used with Q674G1005; used in Y594C1371.	T874C1018	
C1810	237	<u>Obsolete.</u> Honeywell logo; TRADELINE model; Premier White® color; used with Q674B1547; used in Y594C1389.	Y594C1389	
C1844	238	Energy Night logo; used with Q674F1592; used in Y594C1413.	Y594R1425	Jumper E-W2; system switch: EM.HT.-HEAT-OFF-COOL.
C1851	60	<u>Obsolete.</u> Whalen logo.	T874C1018	
C1869	219	McQuay logo; part no. 0073318801 Premier White® color; °F/°C scaleplate.	See OEM for replacement.	

<sup>a</sup>Both the thermostat and subbase must be replaced.

Table 8. T874 Cross Reference.

Model Number	Fig. No.	Description	Trade Model Replacement	Remarks
C1877	53	<u>Obsolete.</u> Honeywell logo; TRADELINE model; used with Q674B1554; used in Y594C1421.	Y594D1347	Jumper RC-RH; system switch: OFF-HEAT-AUTO-COOL
<b>T874D</b>		2-stage heat, 2-stage cool.		
D1009	166, 82	<u>Obsolete.</u> Honeywell logo; used with Q674F1337, E1007; used in Y594D1222, D1339.	T874D1165	
D1017	44, 88	<u>Obsolete.</u> Honeywell logo; TRADELINE model; includes Allen wrench and screws to lock cover; used with Q674A-G and Q674E1155.	T874D1165	
D1025	44	<u>Obsolete.</u> Westinghouse logo; H1 anticipator factory set at 0.75A; H2 anticipator factory set at 1.2A.	T874D1165	
D1033	44	Lennox logo; part no. 13F0601; °F/°C scaleplate.	T874D1165	Replacement has °F scaleplate.
D1041	53	York logo; part no. 2TH04701524A; used with Q674B1125.	T874D1165	
D1058	44	<u>Obsolete.</u> Shiger special.	T874D1165	
D1066	44	<u>Obsolete.</u> ITT logo.	T874D1165	
D1074	51, 53, 146	Carrier logo; part no. HH07AT172; used with Q674F1030 (HH93AZ174), F1063 (HH93AZ181) or Q674B.	T874D1165 <sup>a</sup>	Set H1 anticipator for current draw of fan and stage 1 heat primary.
D1082	44, 46, 48, 72	Trane logo; used with Q674B1018, C1009, B1075, B1133; used in Y594D1024, D1040.	T874D1165	
D1090	44	<u>Obsolete.</u> Dunham-Bush logo.	T874D1165	
D1108	44	<u>Obsolete.</u> Westinghouse logo.	T874D1165	
D1116	76, 89, 94	<u>Obsolete.</u> Comfortmaker logo; part no. 1505-682; °F/°C scaleplate; used with Q674C1116, E1197, G1104.	T874D1165	Replacement has °F scaleplate.
D1124	44	<u>Obsolete.</u> Airtemp special.	T874D1165	
D1132	44	Honeywell logo; °C scaleplate.	T874D1165	Replacement has °F scaleplate.
D1140	44	<u>Obsolete.</u> Solaron special.	T874D1165	Replacement has °F scaleplate.
D1157	51, 53, 146	Carrier logo; part no. HH07AT172; °C scaleplate; used with Q674B or Q674F1030, F1063.	T874D1165 <sup>a</sup>	Replacement has °F scaleplate; set H1 anticipator for current draw of fan and stage 1 heat primary.
D1165	82	Honeywell logo; SUPER TRADELINE® model; includes Allen wrench and screws to lock cover, field-adjustable range stops, field-adjustable locking levers.	T874D1165	
D1173	51, 53	Trane logo; part no. BAY28X183; heat anticipator factory set at 0.4A.	T874D1165 <sup>a</sup>	Set H1 anticipator for current draw of fan and stage 1 heat primary.
D1181	51, 53	<u>Obsolete.</u> General Electric logo; locking cover includes Allen wrench and screws to lock cover and range stops set at 72°F (max. heat) and 78°F (min. cool).	T874D1165 <sup>a</sup>	Set H1 anticipator for current draw of fan and stage 1 heat primary.
D1199	44	<u>Obsolete.</u> Lennox logo; part no. 13F0701; °C scaleplate.	T874D1165	Replacement has °F scaleplate.
D1207	114	<u>Obsolete.</u> Lennox logo; part no. 24F5201; used with Q674L1199 and C815A1013 or Q674L1389.	T8611M2025 (programmable)	Wiring differences (old=new): V=VR=R, Y=W3, X=C, R=O, M=Y, M2=Y2-W2, F=G; jumper Y2-W2; no outdoor reset needed; use only one system transformer.

<sup>a</sup>Both the thermostat and subbase must be replaced.

Table 8. T874 Cross Reference.

Model Number	Fig. No.	Description	Trade Model Replacement	Remarks
D1215	44	<u>Obsolete.</u> Friedrich Climate Master logo; part no. AT5415; °F/°C scaleplate.	T874D1165	Replacement has °F scaleplate.
D1223	44	Honeywell logo; Honeywell Canada TRADELINE model; Celsius scale.	T874D1165	Replacement has °F scaleplate.
D1231	44	<u>Obsolete.</u> Honeywell logo; 12°F (7°C) differential between H1 and H2.	T874D1165	Replacement has 2°F differential between H1 and H2.
D1249	44	<u>Obsolete.</u> Fedders special.	T874D1165	
D1256	44	<u>Obsolete.</u> Climatrol special.	T874D1165	
D1264	107	<u>Obsolete.</u> Carrier Heat Pump System Control logo; part no. HH07AT173; used with Q674L1116 (HH93AZ171).	See OEM for replacement.	
D1272	51, 53	<u>Obsolete.</u> Carrier logo; part no. HH07AT162-03; °C scaleplate; used with Q674B.	T874D1165 <sup>a</sup>	Replacement thermostat has °F scaleplate; set H1 anticipator for current draw of fan and stage 1 heat primary.
D1280	44	<u>Obsolete.</u> Command-Aire logo.	T874D1165	
D1298	90, 232	<u>Obsolete.</u> Singer special; °C scaleplate; controls two separate heat/cool circuits; used with Q674D or Q674G1054, G1062.	See OEM for replacement.	
D1306	90, 186	<u>Obsolete.</u> Trane special; part no. 02005949; controls two separate heat/cool circuits; used with Q674G1013.	See OEM for replacement.	
D1314	44	<u>Obsolete.</u> McQuay logo; part no. 02005941; 12°F (6.6°C) differential between H1 and H2.	T874D1165	Replacement has °F scaleplate; 2°F differential between H1 and H2.
D1322	46	<u>Obsolete.</u> Amana logo; part no. D68535-03; used with Q674B1075; used in Y594D1149.	T874D1165	
D1330	44	<u>Obsolete.</u> Trane logo; part no. 13080242; °C scaleplate.	T874D1165	Replacement has °F scaleplate.
D1355	44	<u>Obsolete.</u> Climate Control special; part no. 02005942; °C scaleplate; 6°C (11°F) differential between H1 and H2.	T874D1165	Replacement has 2°F differential between H1 and H2.
D1363	44	<u>Obsolete.</u> McQuay logo; part no. 02005943; 12°F (6.6°C) differential between H1 and H2; 6°F (3.3°C) differential between C1 and C2.	T874D1165	Replacement has 2°F differential between H1 and H2; 2°F differential between C1 and C2.
D1405	44	<u>Obsolete.</u> Trane logo; part no. 02005952; 12°F (6.6°C) differential between H1 and H2; 6°F (3.3°C) differential between C1 and C2.	T874D1165	Replacement has 2°F differential between H1 and H2; 2°F differential between C1 and C2.
D1413	44	<u>Obsolete.</u> Trane logo; part no. 02005956; 12°F (6.6°C) differential between H1 and H2.	T874D1165	Replacement has 2°F differential between H1 and H2.
D1421	44	<u>Obsolete.</u> Climate Control special; part no. 02005938; °C scaleplate.	T874D1165	Replacement has °F scaleplate.
D1439	90	McQuay logo; part no. 02005935; used with Q674G1096.	T874D1165	
D1447	90	<u>Obsolete.</u> Climate Control special; part no. 02005940; °C scaleplate; used with Q674G1096.	T874D1165	Replacement has °F scaleplate.
D1454	51, 53	<u>Obsolete.</u> Carrier logo.	T874D1165 <sup>a</sup>	Set H1 anticipator for current draw of fan and stage 1 heat primary.
D1462	80	<u>Obsolete.</u> Fedders multi-logo; part no. THTX-220-A0HB, 88-58-00550-001; used with Q674E1205.	T874D1165	

<sup>a</sup>Both the thermostat and subbase must be replaced.

Table 8. T874 Cross Reference.

Model Number	Fig. No.	Description	Trade Model Replacement	Remarks
D1470	44	<u>Obsolete.</u> York logo; part no. 2TH04701624A; includes Allen wrench and screws to lock cover; °C scaleplate.	T874D1165	Replacement has °F scaleplate.
D1488	44	<u>Obsolete.</u> Risco special.	T874D1165	
D1496	44	<u>Obsolete.</u> Borg Warner multi-logo; part no. 6TH04701524A; includes Allen wrench and screws to lock cover.	T874D1165	
D1504	82	York logo; part no. 025-23321-000; °C scaleplate; used with Q674E1007; used in Y594D1180.	T874D1165	Replacement has °F scaleplate.
D1512	44	Honeywell logo; Heil Quaker part no. HQ712002HW.	T874D1165	
D1520	44	<u>Obsolete.</u> Bard logo; adjustable lever stops set 68°F (max. heat) and 78°F (min. cool).	T874D1165	
D1538	44	<u>Obsolete.</u> McQuay logo; part no. 02005937.	T874D1165	
D1553	44	<u>Obsolete.</u> Climate Control special; part no. 02005944; °C scaleplate; 6°C differential between H1 and H2; 3°C differential between C1 and C2.	T874D1165	Replacement has 2°F differential between H1 and H2; 2°F differential between C1 and C2; replacement has °F scaleplate.
D1561	44	<u>Obsolete.</u> General Electric logo; used with Q674 A-G.	T874D1165	
D1587	44	<u>Obsolete.</u> Stiles Four Seasons logo.	T874D1165	
D1595	139	<u>Obsolete.</u> Nepco logo; used with Q674F1394.	T874D1165/ Q674B1018 <sup>a</sup>	Replacement has HEAT-OFF-COOL system switching; no LEDs.
D1603	44	<u>Obsolete.</u> Arcoaire logo.	T874D1165	
D1611	44	<u>Obsolete.</u> No logo; Friedrich part no. AT5411; °F/°C scaleplate.	T874D1165	Replacement has °F scaleplate.
D1629	82	<u>Obsolete.</u> Reznor logo; °F/°C scaleplate; used with Q674E1007; used in Y594D1248.	T874D1165	Replacement has °F scaleplate.
D1678	44	<u>Obsolete.</u> Honeywell logo; Saudi Oger special; °C scaleplate; one setpoint lever; used with Q674A-K.	T874D1165	Replacement has °F scaleplate; separate heating and cooling setpoint levers.
D1686	98	<u>Obsolete.</u> McQuay logo; part no. 60685501; 8°F (4.4°C) differential between H1 and H2; 6°F (3.3°C) differential between C1 and C2; used with Q674E1312.	T874D1165	Replacement has 2°F differential between H1 and H2; 2°F differential between C1 and C2.
D1694	202	<u>Obsolete.</u> McQuay logo; part no. 60685201; used with Q674G1120.	See OEM for replacement.	
D1702	44	<u>Obsolete.</u> McQuay logo; part no. 60685101.	T874D1165	
D1710	44	Trane logo.	T874D1165	
D1728	44	York-Miraco logo.	T874D1165	
D1744	44	American Standard logo; heat anticipator factory set at 0.4A.	T874D1165	
D1751	44	<u>Obsolete.</u> Goettl logo; part no. 372080; range stops set at 68°F (max. heating) and 78°F (min. cooling).	T874D1165	
D1769	82	<u>Obsolete.</u> Arcoaire logo; part no. 1506753; °F/°C scaleplate; used with Q674E1346; used in Y594D1297.	T874D1165	Replacement has °F scaleplate.
D1777	44	<u>Obsolete.</u> Climate Control logo; part no. 65495806; °F/°C scaleplate.	T874D1165	Replacement has °F scaleplate.
D1785	82	<u>Obsolete.</u> Comfortmaker logo; part no. 1505753; °F/°C scaleplate; used with Q674E1346; used in Y594D1305.	T874D1165	Replacement has °F scaleplate.
D1793	44	<u>Obsolete.</u> McQuay logo; part no. 65495805; °F/°C scaleplate.	T874D1165	Replacement has °F scaleplate.

<sup>a</sup>Both the thermostat and subbase must be replaced.

Table 8. T874 Cross Reference.

Model Number	Fig. No.	Description	Trade Model Replacement	Remarks
D1801	45, 208	Trol-A-Temp by Honeywell logo; H1 and H2 anticipators set at 0.10A; used with Q674B1463, D1115.	None	See Trol-A-Temp for replacement.
D1819	44	Marv Air Com Stat logo; part no. 50059; adjustable interstage between H1 and H2 and between C1 and C2; includes Allen wrench and screws to lock cover; field adjustable range stops; °F/°C scaleplate.	T874D1165	Replacement has a 2°F fixed interstage differential between H1 and H2 and between C1 and C2; replacement has °F scaleplate.
D1827	45, 208	Trol-A-Temp by Honeywell logo; Premier White® color; H1 and H2 heat anticipators set at 0.10A; used with Q674B1471, D1123.	None	See Trol-A-Temp.
D1843	45	<u>Obsolete.</u> Janitrol logo; Goodman part no. CHT 90-120; used with Q674B1000; used in Y594D1321.	T874D1165	
D1850	44	Honeywell logo; Carrier part no. HH621606.	T874D1165	
D1868	44	Bard logo; part no. 8405-031; H1 and H2 heat anticipators factory set at 0.25A; 5°F interstage differential between H1 and H2 and between C1 and C2; includes Allen wrench and screws to lock cover; field adjustable range stops.	T874D1165	Replacement has 2°F fixed interstage differential between H1 and H2 and between C1 and C2.
D1876	44	<u>Obsolete.</u> AAF/Snyder General logo; part no. 4ELN6981A; °F/°C scaleplate.	T874D1165	Replacement has °F scaleplate.
D1892	44	<u>Obsolete.</u> Climate-Tel logo.	T874D1165	
D1918	224, 225	<u>Obsolete.</u> AAF/Snyder General logo; °F/°C scaleplate; no cooling anticipation; used with Q674E1312, C1298; 66804407.	See OEM for replacement.	
D1926	226	<u>Obsolete.</u> AAF/Snyder General logo; °F/°C scaleplate; no cooling anticipation; used with Q674G1120; 66804406.	See OEM for replacement.	
D1934	44	Bard logo.	T874D1165	
D1942	82	Honeywell logo; TRADELINE model; used with Q674E1403; used in Y594D1347; designed to replace York part no. 2TH04701024.	Y594D1347 <sup>a</sup>	
D1959	44	Rheem part no. 41-21444-01.	T874D1165	
D1967	44	<u>Obsolete.</u> Desert Aire logo.	T874D1165	
D1975	224, 225	<u>Obsolete.</u> McQuay part no. 066816603; °F/°C scaleplate; no cooling anticipation.	See OEM for replacement.	
D1983	226	<u>Obsolete.</u> McQuay part no. 066816602; °F/°C scaleplate; no cooling anticipation; used with Q674G1120.	See OEM for replacement.	
D1991	51, 53	Carrier logo; Premier White® color; °C scaleplate.	T874D1165 <sup>a</sup>	Set H1 anticipator for total current draw of fan and stage 1 primary; replacement has °F scaleplate.
D2007	44	Ultra-Zone logo.	T874D1165	
D2023	44	Honeywell logo; TRADELINE model; Premier White® color; °C scaleplate; includes locking cover; used with Q674A-K.	T874D1165	Replacement has °F scaleplate and is beige.
D2031	82	<u>Obsolete.</u> Honeywell logo; no cover; used with Q674E1049 and TG504A1025; used in Y594D1354.	T874D1165 or Y594D1354	
D2049	45, 72, 55, 66, 184	<u>Obsolete.</u> Carrier Heat Pump System Control logo; part no. HH07AT236; °F/°C scaleplate; used with Q674B-D, Q674G; used in Y594D.	T874D1165	Replacement has °F scaleplate.

<sup>a</sup>Both the thermostat and subbase must be replaced.

Table 8. T874 Cross Reference.

Model Number	Fig. No.	Description	Trade Model Replacement	Remarks
D2056	44	<u>Obsolete.</u> ComStat logo; part no. 50056; °F/°C scaleplate; adjustable interstage on both heating and cooling; includes locking cover and field-adjustable locking levers.	T874D1165	Replacement has °F scaleplate and 2°F fixed differential in heating and cooling.
D2064	53	<u>Obsolete.</u> Carrier Weathermaker; part no. HH07AT209; stage 1 and 2 heat anticipator factory set 0.1A; taupe color; used with Q674E1445; used in Y594D1412.	T874D1165	Set stage 1 heat anticipator for total current draw of fan and stage 1 heat primary. Replacement is beige.
D2072	53	<u>Obsolete.</u> Carrier Zone Perfect; part no. HH07AT208; taupe color; used with Q674E1445; used in Y594D1420.	T874D1165	Set stage 1 heat anticipator for total current draw of fan and stage 1 heat primary. Replacement is beige.
D2080	139	<u>Obsolete.</u> Hydroheat logo.	T874D1165/ Q674B1018 <sup>a</sup>	Replacement system switch: HEAT-OFF-COOL; no LEDs.
D2098	44	<u>Obsolete.</u> Honeywell logo; °F scaleplate; one setpoint lever; used with Q674D1008; used in Y594D1438.	T874D1165	Replacement has °F scaleplate and two setpoint levers
D2106	44	<u>Obsolete.</u> Honeywell logo; °C scaleplate; one setpoint lever; used with Q674D1008; used in Y594D1446.	T874D1165	Replacement has °F scaleplate and two setpoint levers.
D2114	44	<u>Obsolete.</u> Bard logo; °C scaleplate.	T874D1165	Replacement has °F scaleplate.
D2122	224, 225	<u>Obsolete.</u> McQuay	T874D2023	Replacement has °C scaleplate.
			T874D1165	Replacement has °F scaleplate.
D2130	226	<u>Obsolete.</u> McQuay	See OEM for replacement.	
D2148	44	<u>Obsolete.</u> Dry Aire Systems logo; °F/°C scaleplate.	T874D1165	
D2155	139	Hydroheat logo; Premier White® color; °F/°C scaleplate; used with Q674F1634.	T874D1165/ Q674B1018 <sup>a</sup>	Replacement system switch: HEAT-OFF-COOL; no LEDs.
D2163	208	<u>Obsolete.</u> Amana logo; part no. P1217501F; °F/°C scaleplate.	T874D1165	
D2171	44	<u>Obsolete.</u> Amana logo; part no. P1217701F; °F/°C scaleplate.	T874D1942	
D2189	44	Armstrong logo; part no. 01142A024; °F/°C scaleplate; includes Air Ease insert.	T874D1165	
D2197	44	Liebert logo; part no. 138968P3; °F/°C scaleplate; interstage differential between H1 and H2 and between C1 and C2; includes Allen wrench and screws to lock cover; field-adjustable locking levers.	T874D1165	
D2205	44	Aaon logo; Premier White® color; °F/°C scaleplate.	T874D1165	
<b>T874E</b>		0-stage heat, 2-stage cool.		
E1008	44	<u>Obsolete.</u> Honeywell logo.	T874E1016	
E1016	44	Honeywell logo; TRADELINE model; includes Allen wrench and screws to lock cover; field-adjustable locking levers.	T874E1016	
E1024	44	<u>Obsolete.</u> Westinghouse logo.	T874E1016	
E1032	44	Lennox logo; part no. 13F0901; °F/°C scaleplate.	T874E1016	Replacement has °F scaleplate.
E1040	72	<u>Obsolete.</u> Trane logo; used with Q674C1009; used in Y594E1015.	T874E1016	

<sup>a</sup>Both the thermostat and subbase must be replaced.



Table 8. T874 Cross Reference.

Model Number	Fig. No.	Description	Trade Model Replacement	Remarks
E1081	44	Trane logo; part no. BAY28X186; °F/°C scaleplate.	T874E1016	Replacement has °F scaleplate.
E1099	44	<u>Obsolete.</u> Lennox logo; part no. 13F1001; °C scaleplate.	T874E1016	Replacement has °F scaleplate.
E1107	44	Honeywell logo; °C scaleplate.	T874E1016	Replacement has °F scaleplate.
E1123	44	<u>Obsolete.</u> Amana logo; part no. D68535-4.	T874E1016	
E1149	44	<u>Obsolete.</u> York logo; part no. 2TH04701724A.	T874E1016	
E1156	44	<u>Obsolete.</u> Borg Warner multi-logo; part no. 6TH04701724A.	T874E1016	
E1164	44	<u>Obsolete.</u> E. A. Juffali & Bros. logo.	T874E1016	
E1206	44	<u>Obsolete.</u> Trane logo.	T874E1016	
E1230	44	<u>Obsolete.</u> Climar logo.	T874E1016	
<b>T874F</b>		2-stage heat, 0-stage cool.		
F1007	44	Honeywell logo.	T874F1015	
F1015	44	Honeywell logo; TRADELINE model; includes Allen wrench and screws to lock cover; field-adjustable locking levers.	T874F1015	
F1023	44	<u>Obsolete.</u> Lennox logo; part no. 13F1101.	T874F1015	
F1031	44	<u>Obsolete.</u> Honeywell logo; °C scaleplate; used with 40003440-001 wallplate; used in Y594F1022.	T874F1015	Replacement has °F scaleplate.
F1049	44	<u>Obsolete.</u> Lennox logo; °C scaleplate.	T874F1015	Replacement has °F scaleplate.
F1056	55, 66	<u>Obsolete.</u> Honeywell logo; stages 1 and 2 heat electrically isolated; used with Q674D1008.	None	
F1072	44	<u>Obsolete.</u> Wesco logo; heat anticipator factory set at 0.8A.	T874F1015	
F1098	189	<u>Obsolete.</u> Lennox logo; used with Q674D1008 to control an M839.	T874F1015	Set H1 and H2 anticipators to lowest settings.
F1106	95	<u>Obsolete.</u> Oneida logo; part no. 30A0287-02; used with Q674K1018 on combination wood and oil applications.	T874F1155	
F1114	44	Honeywell logo; Honeywell Canada TRADELINE model; °C scaleplate; includes Allen wrench and screws to lock cover; field-adjustable locking levers.	T874F1015	Replacement has °F scaleplate.
F1122	62	<u>Obsolete.</u> Honeywell logo; two heat setpoint levers; used with Q674B1307.	T874F1015/ Q674D1040	Replacement has no LED.
F1130	72, 91	<u>Obsolete.</u> Reznor logo; °F/°C scaleplate; used with Q674C, D, or G; used with Q674C1009, G1005; used in Y594F1048.	T874F1015	Replacement has °F scaleplate.
F1148	44	<u>Obsolete.</u> Trane logo; part no. THT 0584.	T874F1015	
F1155	95	Honeywell logo; used with Q674K1026 on combination wood and oil applications.	T874F1155	
<b>T874G</b>		Heat pump models; 2-stage heat, 1-stage cool; 1-stage changeover.		
G1006	84, 155	<u>Obsolete.</u> Honeywell logo; used with Q674E1015.	Y594G1252 <sup>a</sup>	Wiring differences (old=new): R=O, M=Y, F=G, V=R, Y=W2; E-W2 jumper required.

<sup>a</sup>Both the thermostat and subbase must be replaced.

Table 8. T874 Cross Reference.

Model Number	Fig. No.	Description	Trade Model Replacement	Remarks
G1014	86, 150	<u>Obsolete.</u> Lennox logo; part no. 24F5801; °F/°C scaleplate; H2 anticipator factory set at 0.25A for fast cycle performance; changeover in cooling mode; independent heating and cooling circuits; used with Q674E1148, F1113.	Y594G1252 <sup>a</sup>	Wiring differences (old=new): R=O, M=Y, F=G, Y=W2, V-VR=R (must use single transformer).
G1022	86, 150	<u>Obsolete.</u> Lennox logo; part no. 24F5701; °F/°C scaleplate; H2 anticipator factory set at 0.25A for fast cycle performance; changeover in cooling mode; independent heating and cooling circuits; used with Q674E1148, F1113.	Y594G1252 <sup>a</sup>	Wiring differences (old=new): R=O, M=Y, F=G, Y=W2, V-VR=R (must use single transformer).
G1048	153, 159	<u>Obsolete.</u> Westinghouse logo; H2 anticipator factory set at 1.2A; used with Q674F1121, J1019.	Y594G1252 <sup>a</sup>	Wiring differences when replacing T874G/Q674J1019 (old=new): W=W2.
G1055	161	Carrier Heat Pump System Control logo; part no. HH07AT171; H2 anticipator factory set at 0.8A; changeover in cooling mode; used with Q674J1035 (HH93AZ173).	None	See subbase description for replacement information.
G1071	50, 103, 126, 183	<u>Obsolete.</u> Carrier Heat Pump System Control logo; meets DoD specifications; H2 anticipator factory set at 0.8A; used with Q674P1005 (HH93AZ169), L1041 (HH93AZ175), B1158, or J1050.	Y594G1419	Wiring differences (old=new): C=X; jumper Y1-W1.
G1089	154	<u>Obsolete.</u> Marvair logo; special for Crispaire; H2 anticipator factory set at 1.2A; used with Q674F1204; used in Y594G1153.	Y594G1393 <sup>a</sup>	Wiring differences (old=new): A=L.
G1097	155	<u>Obsolete.</u> Honeywell logo; Rheem part no. ZXMT-B79; used with Q674F1238 (41-20797-14).	Y594G1252 <sup>a</sup>	
G1105	153	<u>Obsolete.</u> Heat Wave (Southwest Mfg.) logo; H2 anticipator factory set at 1.2A; used with Q674F1170.	Y594G1252 <sup>a</sup>	
G1113	103	<u>Obsolete.</u> Carrier Heat Pump System Control logo; meets DoD specifications; H2 anticipator factory set at 0.8A; used with Q674L1041.	Y594G1419 <sup>a</sup>	Wiring differences (old=new): C=X; jumper Y1 -W1.
G1121	103	<u>Obsolete.</u> Carrier Heat Pump System Control logo; part no. HH07AT161; °C scaleplate; H2 anticipator factory set at 0.8A; includes Allen wrench and screws to lock cover.	Y594G1419 <sup>a</sup>	Wiring differences (old=new): C=X; jumper Y1-W1.
G1139	143, 234	<u>Obsolete.</u> Honeywell logo; used with Q674B1240, C1108.	None	See subbase description for replacement information.
G1147	148	<u>Obsolete.</u> Honeywell logo; changeover in cooling mode; used with Q674F1139.	Y594G1252 <sup>a</sup>	Wiring differences (old=new): C=X.
G1154	84, 139	<u>Obsolete.</u> Lennox logo; used with Q674E1015, F1105.	Y594G1252 <sup>a</sup>	See subbase description for replacement information.
G1162	155	<u>Obsolete.</u> Lennox logo; meets DoD specifications; used with Q674F.	Y594G1419 <sup>a</sup>	W1-Y1 jumper required.
G1170	160	<u>Obsolete.</u> York logo; part no. 2TH11702424A; H2 anticipator is fixed; used with Q674J1027; used in Y594G1013.	Y594G1567 <sup>a</sup>	
G1188	147	<u>Obsolete.</u> Honeywell logo; Keeprite/Westinghouse special; H2 anticipator factory set 1.2A; °C scaleplate; changeover in cooling mode; used with Q674F1295.	Y594G1252 <sup>a</sup>	Wiring differences (old=new): S=L.
G1196	160	<u>Obsolete.</u> York logo; °C scaleplate; changeover in cooling mode; used with Q674J1027; used in Y594G1138.	Y594G1567 <sup>a</sup>	

<sup>a</sup>Both the thermostat and subbase must be replaced.

Table 8. T874 Cross Reference.

Model Number	Fig. No.	Description	Trade Model Replacement	Remarks
G1204	162	Honeywell logo; designed for use on Trane heat pumps; no H2 anticipation; changeover in cooling mode; used with Q674J1043 and C815A1005; used in Y594G1161.	Y594G1161 <sup>a</sup>	Designed for use on Trane heat pumps.
G1212	155	<u>Obsolete.</u> Honeywell logo; H2 anticipator factory set at 0.2A; changeover in cooling mode; includes shunt to bypass H2 anticipator with W3 heat relays; used with Q674F1238.	Y594G1252 <sup>a</sup>	
G1220	235	<u>Obsolete.</u> Rheem logo; part no. RXMT-C71; changeover in cooling mode; used with Q674F1238.	Y594G1252 <sup>a</sup>	
G1238	155	<u>Obsolete.</u> Ruud logo; part no. UXMT-C71; changeover in cooling mode; used with Q674F1238.	Y594G1252 <sup>a</sup>	
G1246		<u>Obsolete.</u> Honeywell logo; changeover in cooling mode.		
	155	Used with Q674F1212; used in Y594G1195, G1252, G1369.	Y594G1252 <sup>a</sup>	
	170	Used with Q674F1410; used in Y594G1393.	Y594G1393 <sup>a</sup>	
G1261	58, 157	<u>Obsolete.</u> Borg-Warner; used with Q674D1032, F1253.	None	See subbase description for replacement information.
G1279	58, 157	<u>Obsolete.</u> Bryant logo; used with Q674D1032, F1253.	None	See subbase description for replacement information.
G1287	58, 157	<u>Obsolete.</u> Wesco logo; used with Q674D1032, F1253.	None	See subbase description for replacement information.
G1295	58	<u>Obsolete.</u> York logo; part no. 2TH11702724A; used with Q674D1032.	T874D1165/ Q674D1040	Wiring differences (old=new): Y=Y2, O=Y1, W=W2; jumper W1-Y2.
G1345	160	<u>Obsolete.</u> York logo; part no. 2TH11702624A; °C scaleplate; used with Q674J1027.	Y594G1575 <sup>a</sup>	
G1352	73	<u>Obsolete.</u> Command-Aire logo; 12°F differential between H1 and H2 for night setback; used with Q674C1066.	Y594H1012 <sup>a</sup>	Wiring differences (old=new): Y1=O, Y2=Y, L=R, R=none; R-L jumper required; no night setback.
			T8600D1004 (programmable)	Wiring differences (old=new): Y1=O, Y2=Y, L=RH; RC-RH jumper required; includes night setback.
G1378	79	<u>Obsolete.</u> Mammoth logo; H2 anticipator factory set at 0.8A; 12°F differential between H1 and H2 for night setback; °F/°C scaleplate; used with Q674C1124; used in Y594G1294.	Y594H1012 <sup>a</sup>	Wiring differences (old=new): R1=none, R2=L; R-L jumper required; no night setback.
			T8090A1007/ Q682A1038 <sup>a</sup> (programmable)	Includes night setback; W-Y jumper required.
G1402	129	<u>Obsolete.</u> York part no. 2TH11702824A; meets DoD specifications; used with Q674L1363.	Y594R1425 <sup>a</sup>	Wiring differences (old=new): W=W2, X=E, B=X; jumper Y-W1.
G1410	155	<u>Obsolete.</u> Borg-Warner multi-logo; part no. 6TH11703024A; used with Q674F1311.	T874G1246 <sup>a</sup> or Y594G1252 <sup>a</sup>	
G1428	160	<u>Obsolete.</u> Borg-Warner multi-logo; part no. 6TH11702424A; used with Q674J1027; used in Y594G1229.	Y594G1567 <sup>a</sup>	
G1436	58	<u>Obsolete.</u> Borg-Warner multi-logo; part no. 6TH11702724A.	T874D1165/ Q674D1040	Wiring differences (old=new): Y=Y2, O=Y1, W=W2; jumper W1-Y2.

<sup>a</sup>Both the thermostat and subbase must be replaced.

Table 8. T874 Cross Reference.

Model Number	Fig. No.	Description	Trade Model Replacement	Remarks
G1444	160	<u>Obsolete.</u> ROCA logo; °C scaleplate; used with Q674J1027.	Y594G1567 <sup>a</sup>	Replacement has °F scaleplate.
G1451	155	<u>Obsolete.</u> BDP multi-logo; part no. HH641502; used with Q674F1212; used in Y594G1245.	T874G1246 <sup>a</sup> or Y594G1252 <sup>a</sup>	
G1469	194	<u>Obsolete.</u> No logo; Addison special; used with Q674F1345; used in Y594G1344.	Y594G1252 <sup>a</sup>	Wiring differences (old=new): Y1=O, C=X, W1=Y1, X=L.
G1485	163	<u>Obsolete.</u> AAF logo; part no. 4ELN-7839; °F/°C scaleplate; 10°F differential between H1 and H2 for night setback and momentary RESET system switch position; used with Q674C1199.	Y594G1393 <sup>a</sup>	No night setback or momentary reset switch.
			T8611G1004 (programmable)	Includes night setback; no momentary reset switch.
G1493	167	<u>Obsolete.</u> Honeywell logo; Rheem part no. 41-20797-18; used with Q674F1360.	Y594G1526 <sup>a</sup>	
G1501	195	<u>Obsolete.</u> Coleman logo; part no. 3600-375; changeover in cooling mode; used with Q674F1378.	Y594G1252 <sup>a</sup>	Wiring differences (old=new): L1=L; changeover in cooling only.
G1535	163	<u>Obsolete.</u> AAF/Snyder General logo; 4ELN7839 °F/°C scaleplate; 10°F differential between H1 and H2 for night setback and momentary RESET system switch position; used with Q674C1199.	Y594G1393 <sup>a</sup>	No night setback or momentary reset switch.
			T8611G1004 (programmable)	Includes night setback.
G1543	194	<u>Obsolete.</u> Addison logo; Weather King part no. 8403-197; used with Q674F1345; used in Y594G1328.	Y594G1252 <sup>a</sup>	Wiring differences (old=new): Y1=O, C=X, W1=Y, X=L.
G1568	160	<u>Obsolete.</u> Luxaire logo; part no. 026-00068-000; °C scaleplate; used with Q674J1126; used in Y594G1351.	Y594G1367 <sup>a</sup>	Replacement has °F scaleplate.
G1576	169	<u>Obsolete.</u> Coleman logo; part no. 3600-373; changeover in heating and cooling mode; used with Q674F1402; used in Y594G1377.	Y594G1633 <sup>a</sup>	
G1584	73	<u>Obsolete.</u> No logo; Friedrich part no. AT5784; 8°F (4.4°C) differential between H1 and H2; used with Q674C1223.	Y594H1012 <sup>a</sup>	Wiring differences (old=new): Y1=O, Y2=Y, L=R, R=none; L-R jumper required; no night setback.
			T8611G1004 (programmable)	Includes night setback.
G1592	155	<u>Obsolete.</u> Arcoaire logo; used with Q674F1212; used in Y594G1385.	T874G1246 <sup>a</sup> or Y594G1252 <sup>a</sup>	
G1600	199	<u>Obsolete.</u> Honeywell logo; meets DoD specifications; used with Q674F1428; used in Y594G1401.	Y594G1419 <sup>a</sup>	Wiring differences (old=new): jumper W1-Y1.
G1618	73	<u>Obsolete.</u> Honeywell logo; 12°F differential between H1 and H2 for night setback; used with Q674C1256.	Y594H1012 <sup>a</sup>	Wiring differences (old=new): Y1=O, Y2=Y, L=R, R=none; L-R jumper required; no night setback.
			T8600C1162 (programmable)	Wiring differences (old=new): L=R, W=O; W-Y jumper required; includes night setback.
G1626	167	Honeywell logo; used with Q674F1436; used in Y594G1526.	None	
G1642	227	Honeywell logo; TRADELINE model; meets DoD specifications; used with Q674F1444; used in Y594G1419.	Y594G1419 <sup>a</sup>	

<sup>a</sup>Both the thermostat and subbase must be replaced.

Table 8. T874 Cross Reference.

Model Number	Fig. No.	Description	Trade Model Replacement	Remarks
G1659	177	<u>Obsolete.</u> Mammoth logo; 0.8A maximum current through B or O terminal; 12°F differential between H1 and H2 for night setback; used with Q674C1330; used in Y594G1427.	Y594H1012 <sup>a</sup>	Wiring differences (old=new): R2=L, R1=none; L-R jumper required; no night setback.
			T8611G1004 (programmable)	Includes night setback.
G1675	174	<u>Obsolete.</u> American Standard logo; part no. ASYSTAT650; used with Q674J1142; used in Y594G1443.	Y594G1161 <sup>a</sup>	
G1691	176	<u>Obsolete.</u> Command Aire logo; part no. P1013-0060; 12°F (6.6°C) differential between H1 and H2 for night setback; used with Q674C1389, C1397.	Y594H1012 <sup>a</sup>	Wiring differences (old=new): Y1=O, Y2=Y, R=none; L-R jumper required; no night setback.
			T8611G1004 (programmable)	Includes night setback.
G1717	175	<u>Obsolete.</u> Carrier Heat Pump System Control logo; part no. HH07AT102N; used with Q674J1167; used in Y507J1201.	Y594G1252 <sup>a</sup>	Wiring differences (old=new): C=X, D=L; replacement has AUX. HEAT and EM. HEAT LEDs.
G1741	227	Honeywell logo; TRADELINE model; includes factory set range stops at 68°F (max. heat) and 78°F (min. cool); Premier White® color; used with Q674F1477; used in Y594G1476.	Y594G1476 <sup>a</sup>	
G1758	211	Trol-A-Temp by Honeywell logo; Premier White® color; changeover is provided by Trol-A-Temp zone panel; used with Q674F1485; used in Y594G1492.	None	See Trol-A-Temp for replacement.
G1774	216	<u>Obsolete.</u> Comfortmaker logo; part no. 1505756; used with Q674J1175; used in Y594G1500.	Y594G1252 <sup>a</sup>	Wiring differences (old=new): E=W2, W1=W3, X=E, C=X.
G1782	216	<u>Obsolete.</u> Arcoaire logo; part no. 1506756; used with Q674J1175; used in Y594G1518.	Y594G1252 <sup>a</sup>	Wiring differences (old=new): E=W2, W1=W3, X=E, C=X.
G1790	161	<u>Obsolete.</u> Carrier logo; Premier White® color; °C scaleplate; includes Allen wrench and screws to lock cover; used with Q674J1191.	Y594G1252 <sup>a</sup>	Wiring differences (old=new): C=X; replacement has °F scaleplate.
G1816	163	Climate Master logo; part no. AT5716; °F/°C scaleplate; 10°F differential between H1 and H2 and momentary RESET system switch position.	Y594G1393 <sup>a</sup>	No momentary reset switch.
G1824	227	Honeywell logo; Australian TRADELINE model; Premier White® color; °C scaleplate; used with Q674F1477; used in Y594G1534.	Y594G1476 <sup>a</sup>	
G1832	231	<u>Obsolete.</u> Intertherm logo; used with Q674F1519; used in Y594G1542.	Y594G1252 <sup>a</sup>	Replacement has auto changeover in cooling mode only.
G1840	231	<u>Obsolete.</u> Miller logo; used with Q674F1519; used in Y594G1559.	Y594G1252 <sup>a</sup>	Replacement has auto changeover in cooling mode only.
G1857	229	<u>Obsolete.</u> Lennox logo; °C scaleplate; Premier White® color; used with Q674F1535; used in Y594G1583.	Y594G1161 <sup>a</sup>	Wiring differences (old=new): E=X2, C=B, L=F.
G1865	160	Honeywell logo; TRADELINE model; designed to replace Y594G1013 (York part no. 2TH11702424), Y594G1229 (York part no. 6TH11702424), and York part no. 2TH117704124); used with Q674J1209; used in Y594G1567.	Y594G1567 <sup>a</sup>	

<sup>a</sup>Both the thermostat and subbase must be replaced.

Table 8. T874 Cross Reference.

Model Number	Fig. No.	Description	Trade Model Replacement	Remarks
G1873	160	<u>Obsolete.</u> Honeywell logo; TRADELINE model; Premier White® color; designed to replace Y594G1013 (York part no. 2TH11702424), Y594G1229 (York part no. 6TH11702424), and York part no. 2TH117704124); used with Q674J1225; used in Y594G1575.	Y594G1567 <sup>a</sup>	Replacement is beige.
G1881	167	Rheem; part no. 41-20797-18.	Y594G1526 <sup>a</sup>	
G1899	169	<u>Obsolete.</u> Amana; part no. 10574101; used with Q674F1550; used in Y594G1591.	Y594G1633 <sup>a</sup>	
G1915	155	Econar logo; used with Q674F1212; used in Y594G1609.	Y594G1252 <sup>a</sup>	
	170	Used with Q674F1410.	Y594G1393 <sup>a</sup>	
G1923	176	Trane logo; part no. X13510599010; H2 make 12°F below H1 make.	Y594H1012 <sup>a</sup>	Wiring differences (old=new): Y1=O, Y2=Y, R=none; L-R jumper required; no night setback.
			T8611G1004 (programmable)	Includes night setback.
G1931	155, 170	<u>Obsolete.</u> Honeywell logo; Premier White® color; °C scaleplate; used with Q674F1568.	None	See subbase description for replacement information.
G1949	73	<u>Obsolete.</u> Carrier Heat Pump System Control logo; part no. HH07AT204; °F/°C scaleplate; H2 make 8°F below H1 make; used in Y594.	Y594H1012 <sup>a</sup>	Wiring differences (old=new): Y1=O, Y2=Y, L=R, R=none; R-L jumper required; no night setback.
			T8600D1004 (programmable)	Wiring differences (old=new): Y1=O, Y2=Y, L=RH; RC-RH jumper required; includes night setback.
G1956	30, 103, 126, 183	<u>Obsolete.</u> Carrier logo; Canada; Premier White® color; °C scaleplate; includes locking cover.	Y594G1476	Replacement has °F scaleplate.
G1964	160	York logo; Canada; Premier White® color; °C scaleplate; used in Y594G1625.	Y594G1575 <sup>a</sup>	Replacement has °F scaleplate.
G1972	169	Honeywell logo; TRADELINE model; used with Q674F1584; used in Y594G1633.	Y594G1633 <sup>a</sup>	
G1980	169	<u>Obsolete.</u> Amana logo; part no. 10574103; used with Q674F1600; used in Y594G1641.	Y594G1633 <sup>a</sup>	Wiring differences (old=new): W3=W2.
G1998	155	<u>Obsolete.</u> Tempstar logo (Inter-City Products); used in Y594G1658; used with Q674F1212.	Y594G1252 <sup>a</sup>	
G2004	103	Honeywell logo; TRADELINE model; used with Q674L; used in Y594G.	Y594G1666	
	161	Used with Q674J1274; used in Y594G1674.	Y594G1674	
G2046	155, 170	WaterFurnace logo; part no. TA21H03; Premier White® color; °F/°C scaleplate; used with Q674F1667; used in Y594G1716.	Y594G1716	
<b>T874H</b>		Heat pump model; 1-stage heat, 1-stage cool, 1-stage changeover in cool.		
H1005	74	<u>Obsolete.</u> Command Aire logo; used with Q674C1041.	Y594H1012 <sup>a</sup>	Wiring differences (old=new): Y1=O, Y2=Y; L-R jumper required.
H1013	74	<u>Obsolete.</u> Friedrich part no. AT5813; °C scaleplate; used with Q674C1041.	Y594H1012 <sup>a</sup>	Wiring differences (old=new): Y1=O, Y2=Y; L-R jumper required; replacement has °F scaleplate.

<sup>a</sup>Both the thermostat and subbase must be replaced.

Table 8. T874 Cross Reference.

Model Number	Fig. No.	Description	Trade Model Replacement	Remarks
H1021	74	<u>Obsolete.</u> Friedrich Climate Master logo; part no. AT5821; °F/°C scaleplate; used with Q674C1041.	Y594H1012 <sup>a</sup>	Wiring differences (old=new): Y1=O, Y2=Y; L-R jumper required; replacement has °F scaleplate.
H1039	79	<u>Obsolete.</u> Mammoth logo; °F/°C scaleplate; used with Q674C1124; used in Y594H1004.	Y594H1012 <sup>a</sup>	Wiring differences (old=new): R1=R, R2=L.
H1054	74	<u>Obsolete.</u> No logo; Friedrich part no. AT5854; used with Q674C1041.	Y594H1012 <sup>a</sup>	Wiring differences (old=new): Y1=O, Y2=Y; L-R jumper required.
H1062	164	Honeywell logo; used with Q674C1249; used in Y594H1012.	Y594H1012 <sup>a</sup>	
H1070	172, 173	<u>Obsolete.</u> Carrier Heat Pump System Control logo; part no. HH07AT166; °C scaleplate; used with Q674B1406 (HH93AZ200) or Q674C1322 (HH93AZ199).	None	See subbase description for replacement information.
H1088	172, 173	<u>Obsolete.</u> Carrier Heat Pump System Control logo; part no. HH07AT167; used with Q674B1406 (HH93AZ200) or Q674C1322 (HH93AZ199).	None	See subbase description for replacement information.
H1096	177	<u>Obsolete.</u> Mammoth Water Source Heat Pump logo; °F/°C scaleplate; changeover stage 0.8A maximum; used B or O terminal; used with Q674C1330.	Y594H1012 <sup>a</sup>	Wiring differences (old=new): R1=R, R2=L; L-R jumper required.
H1112	74	No logo; Friedrich part no. AT5812; used with Q674C1355.	Y594H1012 <sup>a</sup>	Wiring differences (old=new): Y1=O, Y2=Y; L-R jumper required.
H1120	205	<u>Obsolete.</u> Command Aire logo; part no. P1013-0055; used with Q674C1389, C1397.	Y594H1012 <sup>a</sup>	Wiring differences (old=new): Y1=O, Y2=Y.
H1138	221	<u>Obsolete.</u> Climate Master logo; part no. AT5838; used with Q674C1470.	Y594H1012 <sup>a</sup>	Wiring differences (old=new): Y1=O, Y2=Y; replacement has MALFUNCTION LED only.
H1146	205	Trane logo; part no. X13510598010.	Y594H1012 <sup>a</sup>	Wiring differences (old=new): Y1=O, Y2=Y.
H1153	173	<u>Obsolete.</u> Carrier Heat Pump System Control logo; part no. HH07AT167; °F/°C scaleplate; used with Q674C1322; used in Y594H1053.	None	See subbase description for replacement information.
H1161	74	<u>Obsolete.</u> Carrier Heat Pump System Control logo; part no. HH07AT203; °F/°C scaleplate; used with Q674C1496; used in Y594H1038.	Y594H1012 <sup>a</sup>	Wiring differences (old=new): Y1=O, Y2=Y; L-R jumper required.
<b>T874J</b>		Heat pump model. 2-stage heat, 1-stage cool.		
J1002	124, 144, 206, 207	<u>Obsolete.</u> Carrier Heat Pump System Control logo; part no. HH07AT175; used with Q674J1068 (HH93AZ183), Q674J1159 (HH93AZ196), Q674L1074 (HH93AZ186), Q674L1637 (HH93AZ195).	None	See subbase description for replacement information.
J1010	124, 171	<u>Obsolete.</u> BDP multi logo; part no. 34427DP124/P272-2471; used with Q674J1084, L1371.	None	See subbase description for replacement information.
J1028	124, 144, 206, 207	<u>Obsolete.</u> Carrier Heat Pump System Control logo; part no. HH07AT165; °C scaleplate; used with Q674J1068 (HH93AZ183), Q674J1159 (HH93AZ196), Q674L1074 (HH93AZ186), Q674L1637 (HH93AZ195).	None	See subbase description for replacement information.
J1036	124, 171	<u>Obsolete.</u> Miller logo; part no. 9132230; used with Q674J1217.	T8511G1021	
J1044	124, 171	<u>Obsolete.</u> Intertherm logo; part no. 9132240; used with Q674J1217.	T8511G1021	
J1051	124, 144	<u>Obsolete.</u> Carrier logo; part no. HH07AT165-W; Premier White® color; °C scaleplate.	None	See subbase description for replacement information.

<sup>a</sup>Both the thermostat and subbase must be replaced.

Table 8. T874 Cross Reference.

Model Number	Fig. No.	Description	Trade Model Replacement	Remarks
J1069	124, 144, 206, 207	<u>Obsolete.</u> Honeywell logo; TRADELINE model; used with Q674J1282; used in Y594J1019.	T8511G1021	
J1077	124, 171	<u>Obsolete.</u> Nordyne logo; part no. 9148300; °F/°C scaleplate.	T8511G1021	
<b>T874K</b>		Heat pump model; 2-stage heat, 1-stage cool, automatic changeover in heat.		
K1001	77	<u>Obsolete.</u> LSI Mammoth logo; used with Q674C1090.	Y594G1419 <sup>a</sup>	Wiring differences (old=new): RH-RC=R, W1=B, W3=W2, W2=W1; remove Y1-W1 jumper.
K1019	181	<u>Obsolete.</u> McQuay/Snyder General logo; part no. 60687301; °F/°C scaleplate; H1 anticipator set at 0.83A; 8°F interstage differential between H1 and H2 for night setback; used with Q674C1280.	Y594G1252 <sup>a</sup>	Wiring differences (old=new): C=X, W=B, A=L; jumper E-W2; no night setback.
			T8611G1004 (programmable)	Wiring differences (old=new): C=X, W=B, A=X2; jumper X2-R; remove external time clock; includes night setback.
K1027	181	<u>Obsolete.</u> AAF/Snyder General logo; part no. 066804403; °F/°C scaleplate; H1 anticipator set at 0.83A; 8°F interstage differential between H1 and H2 for night setback; used with Q674C1280.	Y594G1252 <sup>a</sup>	Wiring differences (old=new): C=X, W=B, A=L; jumper E-W2; no night setback.
			T8611G1004 (programmable)	Wiring differences (old=new): C=X, W=B, A=X2; jumper X2-R; remove external time clock; includes night setback.
<b>T874L</b>		Heat pump model; 2-stage heat, 1-stage cool, changeover in cool.		
L1000	198	<u>Obsolete.</u> Carrier logo; part no. HH07AT176; used with Q674E1270 (HH93AZ189).	Y594G1419 <sup>a</sup>	E-W2 jumper required.
L1018	138, 165	<u>Obsolete.</u> Carrier Multiplex System logo; part no. HH07AT178; used with Q674B1356 (HH93AZ192) or Q674C1264 (HH93AZ193).	See OEM for replacement.	
L1026	198	<u>Obsolete.</u> Honeywell logo; BDP part no. P272-2786; used with Q674E1304.	Y594G1419 <sup>a</sup>	E-W2 jumper required.
L1034	203	<u>Obsolete.</u> McQuay logo; part no. 60687201; °F/°C scaleplate; H1 anticipator factory set at 0.83A; used with Q674C1280.	Y594G1419 <sup>a</sup>	Wiring differences (old=new): Y=Y1, W=B, A=X1; remove Y1-W1 jumper.
L1059	215, 213	<u>Obsolete.</u> Carrier logo; part no. HH07AT192; used with Q674B1448 (HH93A2202) or Q674C1413 (HH93AZ204).	See OEM for replacement.	
L1067	203	<u>Obsolete.</u> AAF/Snyder General logo; part no. 066804402; H1 anticipator factory set at 0.83A; used with Q674C1280.	Y594G1419 <sup>a</sup>	Wiring differences (old=new): Y=Y1, W=B, A=X1; remove Y1-W1 jumper.
L1075	203	<u>Obsolete.</u> McQuay logo; part no. 073318601; Premier White® color; °F/°C scaleplate; includes AAF insert.	See OEM for replacement.	
<b>T874N</b>		Heat pump model; 2-stage heat; 1-stage cool plus changeover; changeover in heat mode.		
N1008	178	<u>Obsolete.</u> Williamson logo; used with Q674F1196; used in Y594N1007.	T874N1016	
N1016	178	Honeywell Heat Pump Thermostat logo; used with Q674F1220.	T874N1016	
N1024	179, 217	Bard logo; H1 and C1 anticipation fixed; used with Q674F1261.	None	See subbase description for replacement information.

<sup>a</sup>Both the thermostat and subbase must be replaced.



Table 8. T874 Cross Reference.

Model Number	Fig. No.	Description	Trade Model Replacement	Remarks
N1040	179	<u>Obsolete.</u> Honeywell logo; H1 and C1 anticipation fixed; used with Q674F1261; used in Y594N1015.	None	
N1057	178	<u>Obsolete.</u> Intertherm logo; part no. 9111882; used with Q674F1220; used in Y594N1023.	T874N1016	
N1065	178	<u>Obsolete.</u> Miller logo; Nordyne part no. 9122240; used with Q674F1220; used in Y594N1031.	T874N1016	
<b>T874P</b>		Heat pump model; 2-stage heat, 1-stage cool, automatic changeover in cool.		
P1006	57, 78	<u>Obsolete.</u> McQuay logo; part no. 860-442725B-00; 8°F (4.4°C) interstage differential between H1 and H2; used with Q674B1273, C1140.	None	See subbase description for replacement information.
P1014	78	<u>Obsolete.</u> Friedrich/Climate Master logo; °F/°C scaleplate; 8°F (4.4°C) differential between H1 and H2 for night setback; used with Q674C1207.	T8600D2028 (programmable)	Wiring differences (old=new): L=R, W=O; W-Y jumper required; includes night setback.
P1022	97	<u>Obsolete.</u> Friedrich/Climate Master logo; part no. AT5922; °F/°C scaleplate; 8°F (4.4°C) differential between H1 and H2 for night setback; used with Q674C1215.	None	See subbase description for replacement information.
P1030	97	<u>Obsolete.</u> No logo; Friedrich part no. AT5930; 8°F (4.4°C) differential between H1 and H2 for night setback; used with Q674C1215.	None	See subbase description for replacement information.
P1055	68, 97	<u>Obsolete.</u> Carrier Heat Pump System Control logo; part no. HH07AT205; °F/°C scaleplate; heat interstage differential 8°F (4.4°C).	None	See subbase description for replacement information.
<b>T874Q</b>		1-stage heat; used with another T874 for night setback.		
Q1005	44	Honeywell logo.	T874A1036	
Q1013	44	<u>Obsolete.</u> Lennox logo; part no. 13F1201; °F/°C scaleplate.	T874A1036	Replacement has °F scaleplate.
Q1021	44	<u>Obsolete.</u> Lennox logo; part no. 13F1301; °C scaleplate.	T874A1036	Replacement has °F scaleplate.
<b>T874R</b>		Heat pump model; 2-stage heat, 1-stage cool, manual changeover.		
R1004	47	<u>Obsolete.</u> Honeywell logo; used with Q674B1042; used in Y594R1029.	Y594R1243 <sup>a</sup>	Wiring differences (old=new): W1=W2.
R1012	47	<u>Obsolete.</u> Honeywell logo; Addison heat pump; used with Q674B1109.	Y594R1243 <sup>a</sup>	Wiring differences (old=new): W1=W2.
R1020	102	<u>Obsolete.</u> Lennox logo; part no. 24F5401; °F/°C scaleplate; H1 and C1 anticipators are fixed; auxiliary heat circuit powered by separate transformer; used with Q674L1025.	Y594R1243 <sup>a</sup>	Wiring differences (old=new): M=Y, F=G, V-VR=R, Y=W2, R=O; replacement has °F scaleplate.
R1038	102	<u>Obsolete.</u> Lennox logo; °C scaleplate; H1 and C1 anticipators are fixed; auxiliary heat circuit powered by separate transformer; used with Q674L1025.	Y594R1243 <sup>a</sup>	Wiring differences (old=new): M=Y, F=G, V-VR=R, Y=W2, R=O; replacement has °F scaleplate.
R1046	120, 101	<u>Obsolete.</u> York logo; part no. 2TH11702224A; H2 anticipator is fixed; used with Q674L1272 in Y594R1011 or with Q674L1094.	Y594R1664 <sup>a</sup>	
R1053	109	<u>Obsolete.</u> Honeywell logo; H2 anticipator is fixed; used with Q674L1140; used in Y594R1136.	Y594R1763 <sup>a</sup>	Designed for use on Trane heat pumps.
R1061	104	<u>Obsolete.</u> Honeywell logo; H2 anticipator is field adjustable; changeover in cooling; used with Q674L1082.	Y594R1243 <sup>a</sup>	Replacement has auto fan in Emergency Heat mode.

<sup>a</sup>Both the thermostat and subbase must be replaced.

Table 8. T874 Cross Reference.

Model Number	Fig. No.	Description	Trade Model Replacement	Remarks
R1079	123	<u>Obsolete.</u> Ruud logo; part no. UXMT-C70; used with Q674L1157.	Y594R1243 <sup>a</sup>	
R1087	120	<u>Obsolete.</u> Honeywell logo; Special for Dunham Bush; use with Q674L.	Y594R1664 <sup>a</sup>	
R1095	123	<u>Obsolete.</u> Rheem logo; part no. RXMT-C70; used with Q674L1157.	T874R1152/ Y594R1243 <sup>a</sup>	
R1103	104	<u>Obsolete.</u> Westinghouse logo; used with Q674L.	Y594R1243 <sup>a</sup>	
R1111	116, 104	<u>Obsolete.</u> Marvair logo; H2 anticipator factory set at 1.2A; used with Q674L1215, L1082; used in Y594R1128.	Y594R1243 <sup>a</sup>	Replacement has auto fan in Emergency Heat mode.
R1129	113	Bard logo; used with Q674L1181.	Y594R1243 <sup>a</sup>	Wiring differences (old=new): X1=X.
R1137	108, 125	<u>Obsolete.</u> Honeywell logo; Heil Quaker part no. HQ711597HW; used with Q674L1132; used in Y594R1110.	Y594R1292 <sup>a</sup>	
R1145	120	<u>Obsolete.</u> York logo; °C scaleplate; H2 anticipator is fixed; used with Q674L1272; used in Y594R1102.	Y594R1664 <sup>a</sup>	
R1152	115	Honeywell logo; used with Q674L1207, L1033; used in Y594R1243.	Y594R1243 <sup>a</sup>	
R1160	182	<u>Obsolete.</u> Honeywell Advanced Heat Pump System logo; used with Q674L1298 and W89.	None	
R1178	110, 111	<u>Obsolete.</u> Lennox logo; part no. 24F5601; °F/°C scaleplate; auxiliary heat circuit powered by separate transformer; fast cycle stage H2 anticipator; requires outdoor reset and independent circuits; used with Q674L1165, L1355.	Y594R1763 <sup>a</sup>	Wiring differences (old=new): V=VR=R, M=Y, F=G, X=B, Y=W, A=T, R=O, E=X2.
R1186	182	<u>Obsolete.</u> Honeywell Advanced Heat Pump System logo; used with Q674L1231 and W89.	None	
R1194	115	<u>Obsolete.</u> Amana logo; used with Q674L1249 and W89.	Y594R1243 <sup>a</sup>	
R1202	201	<u>Obsolete.</u> Intertherm logo; part no. 9111871; used with Q674L1264 or Q674L1595; used in Y594R1185.	Y594R1672 <sup>a</sup>	Wiring differences (old=new): W2=W, Z=no connection, K=X, W=G, W1=H, X=B.
R1210	101	<u>Obsolete.</u> Roca logo; °C scaleplate; used with Q674L1017.	Y594R1243 <sup>a</sup>	Wiring differences (old=new): W=W2, X=L, B=X.
R1228	120	<u>Obsolete.</u> York logo; part no. 2TH11702524A; °C scaleplate; used with Q674L1272 and C815A1005; used in Y594R1144.	Y594R1672 <sup>a</sup>	
R1236	115	<u>Obsolete.</u> Williamson logo; includes Allen wrench and screws to lock cover; used with Q674L1348.	T874R1152	
R1244	115	<u>Obsolete.</u> Westinghouse logo; used with Q674L1314 and W89.	T874R1152/ Y594R1243 <sup>a</sup>	
R1251	120	<u>Obsolete.</u> York logo; part no. 2TH11702324A; H2 anticipator is fixed; used with Q674L1272 and C815A1039.	Y594R1672 <sup>a</sup>	
R1269	122	<u>Obsolete.</u> Fedders multi logo; part no. THTX-120-HEHB 88-58-00540-001; used with Q674L1066; used in Y594R1037.	Y594R1615 <sup>a</sup>	Wiring differences (old=new): K=E, C=X, W1=B, Z=L.
R1285	123	<u>Obsolete.</u> Honeywell logo; Rheem part no. 41-20796-15; used with Q674L1157.	Y594R1243 <sup>a</sup>	
R1301	113	<u>Obsolete.</u> Comfortmaker logo; part no. 1505-714; used with Q674L1181; used in Y594R1417.	Y594R1243 <sup>a</sup>	Wiring differences (old=new): X1=X.

<sup>a</sup>Both the thermostat and subbase must be replaced.

Table 8. T874 Cross Reference.

Model Number	Fig. No.	Description	Trade Model Replacement	Remarks
R1319	191	<u>Obsolete.</u> Carrier part no. 42QH400083; used with Q674B1281 on two speed fan applications.	See OEM for replacement.	
R1327	120	<u>Obsolete.</u> Borg-Warner multi-logo; part no. 6TH11702224A; used with Q674L1272; used in Y594R1193.	Y594R1672 <sup>a</sup>	
R1335	106	<u>Obsolete.</u> BDP multi-logo; part no. HH641501; H2 anticipator factory set 1.2A; used with Q674L1405; used in Y594R1201.	Y594R1243 <sup>a</sup>	
R1343	133	<u>Obsolete.</u> Fedders multi-logo; part no. THTX-120-HEHC 88-58-0056-001; used with Q674L1413; used in Y594R1219.	Y594R1425 <sup>a</sup>	Wiring differences (old=new): K=E, C=X1, Z=L; remove Y1-W1 jumper.
R1350	113	<u>Obsolete.</u> Honeywell logo; used with Q674L1181.	Y594R1243 <sup>a</sup>	Wiring differences (old=new): X1=X.
R1368	125	<u>Obsolete.</u> Coleman logo; part no. 3600-368; used with Q674L1421; used in Y594R1235.	Y594R1797 <sup>a</sup>	
R1376	115	Honeywell logo; °C scaleplate; used with Q674L1207.	T874R1152	
R1384	131, 135	<u>Obsolete.</u> Carrier Heat Pump System Control logo; part no. HH07AQ170; used with Q674L (HH93AZ187), Q674L (HH93AZ197), or Q674L (HH93AZ198).	Y594G1243 <sup>a</sup>	Wiring differences (old=new): C=X.
R1392	128	<u>Obsolete.</u> Williamson logo; used with Q674L1447; used in Y594R1250.	Y594R1425 <sup>a</sup>	Wiring differences (old=new): A=L.
R1400	113	<u>Obsolete.</u> LSI part no. 104710001; used with Q674L1181, L1462.		See subbase description for replacement information.
R1426	136	<u>Obsolete.</u> Trane Weathertron Heat Pump logo; part no. BAYSTAT339 (WY28X0112); °F/°C scaleplate; used with Q674L1496; used in Y594R1284.	Y594R1763 <sup>a</sup>	
R1434	134	Ruud logo; part no. 41-20796-32; used with Q674L1504; used in Y594R1649.	Y594R1300 <sup>a</sup>	
R1442	134	Rheem logo; part no. 41-20796-28; used with Q674L1504; used in Y594R1631.	Y594R1300 <sup>a</sup>	
R1459	134	<u>Obsolete.</u> Honeywell logo; Rheem part no. 41-20796-25; used with Q674L1504.	Y594R1300 <sup>a</sup>	
R1467	108	Honeywell logo; used with Q674L1512; used in Y594R1292.	Y594R1292 <sup>a</sup>	
R1475	123	Honeywell logo; scale range 42°F to 88°F; used with Q674L1520; used in Y594R1300.	Y594R1300 <sup>a</sup>	
R1483	130	<u>Obsolete.</u> Comfortmaker logo; °F/°C scaleplate; used with Q674L1538 and C815A1005; used in Y594R1318.	Y594R1763 <sup>a</sup>	Wiring differences (old=new): W1=W, E=X2, X=F, C=B.
R1491	137	<u>Obsolete.</u> Honeywell logo; TRADELINE model; used with Q674L1553; used in Y594R1326.	Y594R1615 <sup>a</sup>	
R1509	47	<u>Obsolete.</u> Slant/Fin logo; used with Q674B1042; used in Y594R1334.	Y594R1243 <sup>a</sup>	Wiring differences (old=new): W1=W2.
R1517	130	<u>Obsolete.</u> Arcoaire logo; part no. 150671; used with Q674L1538 and C815A1005; used in Y594R1342.	Y594R1763 <sup>a</sup>	Wiring differences (old=new): W1=W, E=X2, X=F, C=B.
R1525	113	<u>Obsolete.</u> Arcoaire logo; used with Q674L1181; used in Y594R1359.	Y594R1243 <sup>a</sup>	Wiring differences (old=new): X1=X.
R1541	67	<u>Obsolete.</u> Goettl logo; part no. 372071; used with Q674B1349.	Y594R1300 <sup>a</sup>	
R1558	134	<u>Obsolete.</u> Universal Parts logo; part no. 41-20796-45; used with Q674L1504; used in Y594R1623.	Y594R1300 <sup>a</sup>	
R1566	130	<u>Obsolete.</u> Honeywell logo; used with Q674L1538 and C815A1005; used in Y594R1375.	Y594R1763 <sup>a</sup>	Wiring differences (old=new): W1=W, E=X2, X=F, C=B.

<sup>a</sup>Both the thermostat and subbase must be replaced.

Table 8. T874 Cross Reference.

Model Number	Fig. No.	Description	Trade Model Replacement	Remarks
R1574	132	<u>Obsolete.</u> Comfortmaker logo; part no. 1505739; used with Q674L1538; used in Y594R1383.	Y594R1243 <sup>a</sup>	Wiring differences (old=new): C=X, X=L, W=W2.
R1582	132	<u>Obsolete.</u> Arcoaire logo; part no. 150739; used with Q674L1538; used in Y594R1391.	Y594R1243 <sup>a</sup>	Wiring differences (old=new): C=X, X=L, W=W2.
R1590	115	<u>Obsolete.</u> Refac logo; used with Q674L1207.	T874R1152/ Y594R1243 <sup>a</sup>	Replacement has °F scaleplate.
R1608	119	<u>Obsolete.</u> Honeywell logo; Intertherm heat pump; used with Q674L1264; used in Y594R1409.	Y594R1763 <sup>a</sup>	Wiring differences (old=new): W2=W, X=B, Z=F, K=X2, W1=O.
R1616	168	Honeywell logo; SUPER TRADELINE® model; used with Q674L1587; used in Y594R1425.	Y594R1425 <sup>a</sup>	
R1624	200	<u>Obsolete.</u> Honeywell logo; used with Q674L1595; used in Y594R1433.	Y594R1243 <sup>a</sup>	Wiring differences (old=new): X=B, Z=F, W2=W, K=X2, W1=O.
R1632	134	<u>Obsolete.</u> Honeywell logo; used with Q674L1603.	Y594R1243 <sup>a</sup>	
R1640	115	<u>Obsolete.</u> Hitecsa logo; °C scaleplate; H2 anticipator factory set at 1.2A; used with Q674L1207.	Y594R1243 <sup>a</sup>	Replacement has °F scaleplate.
R1657	136	<u>Obsolete.</u> American Standard logo; part no. ASYSTAT651; requires outdoor reset; used with Q674L1611; used in Y594R1441.	Y594R1763 <sup>a</sup>	
R1673	108	Heil logo; part no. 1060321, HAXB004TW01; used with Q674L1132; used in Y594R1466.	Y594R1292 <sup>a</sup>	
R1699	119	<u>Obsolete.</u> Miller logo; used with Q674L1264; used in Y594R1482.	Y594R1763 <sup>a</sup>	Wiring differences (old=new): W2=W, X=B, Z=F, K=X2, W1=O.
R1707	209	Trol-A-Temp by Honeywell logo; Premier White® color; used with Q674L1678; used in Y594R1490.	None	See Trol-A-Temp for replacement.
R1715	209	Trol-A-Temp by Honeywell logo; used with Q674L1186; used in Y594R1508.	None	See Trol-A-Temp for replacement.
R1723	218	<u>Obsolete.</u> No logo; Snyder General part no. 654958B07; °F/°C scaleplate; used with Q674L1702 and C815A1005; used in Y594R1516.	Y594R1672 <sup>a</sup>	Wiring differences (old=new): W1=W, X=X2, C=B.
R1731	108	<u>Obsolete.</u> Inter-City Products logo; part no. HQ11477909HW; used with Q674L1132; used in Y594R1524.	Y594R1292 <sup>a</sup>	
R1749	108	Tempstar logo; part no. 1060322, TAXB004TW01; used with Q674L1132; used in Y594R1532.	Y594R1292 <sup>a</sup>	
R1814	108	<u>Obsolete.</u> Honeywell logo; Keeprite part no. THPC; °C scaleplate; used with Q674L1132; used in Y594R1607.	Y594R1292 <sup>a</sup>	Replacement has °F scaleplate.
R1822	230	Honeywell logo; TRADELINE model; used with Q674L1710; used in Y594R1615.	Y594R1615 <sup>a</sup>	
R1830	134	<u>Obsolete.</u> Addison logo; WeatherKing part no. 41-20796-61; used with Q674L1504; used in Y594R1656.	Y594R1300 <sup>a</sup>	
R1855	228	<u>Obsolete.</u> Lennox logo; Premier White® color; °C scaleplate; outdoor reset required (use C815A1005); used with Q674L1728; used in Y594R1714.	Y594R1763 <sup>a</sup>	Wiring differences (old=new): Y1=Y, L=F, W1=W, E=X2, C=B; replacement has °F scaleplate.
R1871	120	Honeywell logo; designed to replace Y594R1011 (York part no. 2TH11702224); used with Q674L1736; used in Y594R1664.	Y594R1664 <sup>a</sup>	

<sup>a</sup>Both the thermostat and subbase must be replaced.

Table 8. T874 Cross Reference.

Model Number	Fig. No.	Description	Trade Model Replacement	Remarks
R1889	120	Honeywell logo; designed to replace Y594R1151 (York part no. 2TH11702324), Y594R1193 (York part no. 6TH11702224), and York part no. 2TH11704024; used with Q674L1736 and C815A1054; used in Y594R1672.	Y594R1672 <sup>a</sup>	
R1897	230	Honeywell logo; Premier White® color; used with Q674L1751; used in Y594R1680.	Y594R1680 <sup>a</sup>	
R1905	120	<u>Obsolete.</u> Honeywell logo; Premier White® color; designed to replace Y594R1151 (York part no. 2TH11702324), Y594R1193 (York part no. 6TH11702224), and York part no. 2TH11704024; used with Q674L1777 and C815A1054; used in Y594R1698.	Y594R1672 <sup>a</sup>	Replacement is beige.
R1913	120	<u>Obsolete.</u> Honeywell logo; Premier White® color; designed to replace Y594R1011 (York part no. 2TH11702224); used with Q674L1777; used in Y594R1706.	Y594R1664 <sup>a</sup>	Replacement is beige.
R1921	115	<u>Obsolete.</u> Econar logo; used with Q674L1207; used in Y594R1722.	Y594R1243 <sup>a</sup>	
R1939	197	American Standard logo (Trane); part no. ASYSTAT651A; includes outdoor reset; used with Q7674L1801; used in Y594R1748.	Y594R1763 <sup>a</sup>	
R1947	168	<u>Obsolete.</u> Inter-City Products logo; part no. HQ1149406HW; used with Q674L1819; used in Y594R1755.	Y594R1425 <sup>a</sup>	
R1954	197	Honeywell logo; TRADELINE model; includes outdoor reset; used with Q674L1827; used in Y594R1763.	Y594R1763 <sup>a</sup>	Direct replacement for Y594R1748 (T874R1939/Q674L1801) American Standard logo (ASYSTAT 651A) and Y594R1136 (T874R1053/Q674L1140).
R1962	115	<u>Obsolete.</u> Consolidated Industries logo; part no. 9036100; Premier White® color; used with Q674L1843; used in Y594R1771.	Y594R1680 <sup>a</sup>	Includes CHECK LED.
R1970	120	York logo; Canada; Premier White® color; °C scaleplate; used in Y594R1789; used with C815A1039.	Y594R1672 <sup>a</sup>	Replacement has °F scaleplate.
R1988	125	Honeywell logo; TRADELINE model; used with Q674L1868; used in Y594R1797.	Y594R1797	Direct replacement for Y594R1235 (T874R1368/Q674L1421) Evcon/Coleman part no. 3600-368.
R2002	245	<u>Obsolete.</u> Amana Air Conditioning logo; part no. 10574102; used in Y594R1805.	Y594R1797	Wiring differences (old=new): C/X=X.
R2010	245	<u>Obsolete.</u> Amana Air Conditioning logo; part no. 10574104.	Y594R1797	Wiring differences (old=new): C/X=X, W3=W2.
R2028	209	<u>Obsolete.</u> York logo; part no. 2TH11703424A; used with Q674L1918 in Y594R1821.	Y594R1797	
R2036	134	Ruud logo; °C scaleplate; used with Q674L1504.	See OEM for replacement.	
<b>T874S</b>		2-stage heat, 3-stage cool.		
S1001	223	<u>Obsolete.</u> Carrier Synergy 2000 Heat Pump System Control logo; used with Q674F1501.	T8611M2025 (programmable) or see OEM for direct replacement.	Includes night setback.
<b>T874V</b>		1-stage cool.		
V1008	69	<u>Obsolete.</u> No logo; Carrier part no. HH07AT177; used with Q674R1003.	T874A1036	

<sup>a</sup>Both the thermostat and subbase must be replaced.

Table 8. T874 Cross Reference.

Model Number	Fig. No.	Description	Trade Model Replacement	Remarks
<b>T874W</b>		3-stage heat, 2-stage cool, manual changeover.		
W1007	118	<u>Obsolete.</u> Honeywell logo; Westinghouse special; used with Q674L1256.	T8611M2025 (programmable)	Includes night setback.
W1015	54	Honeywell logo; used with Q674B1216 and C815A1005; used in Y594W1014.	T874W1015	
W1023	233	<u>Obsolete.</u> Lennox Advanced Heat Pump System logo; used with Q674L1280 and W89.	T874W1015	
W1031	140	<u>Obsolete.</u> No logo; Rheem part no. 41-20797-20; used with Q674L1546 and C815A1005; used in Y594W1022.	T8611M2025 (programmable)	Includes night setback.
W1049	100	<u>Obsolete.</u> McQuay logo; part no. 61202501; 12°F interstage differential between H2 and H3 for night setback; used with Q674C1363.	T8611M2025 (programmable)	Includes night setback.
W1056	220	<u>Obsolete.</u> McQuay/Snyder General logo; part no. 1202501; 12°F differential between H2 and H3 for night setback; used with Q674C1363 (61202502).	See OEM for replacement.	
W1064	220	<u>Obsolete.</u> AAF/Snyder General logo; part no. 066804408; 12°F differential between H2 and H3 for night setback; used with Q674C1363 (66804408).	See OEM for replacement.	
W1072	140	<u>Obsolete.</u> Honeywell logo (Inter-City Products); used in Y594W1030.	T8611M2025 (programmable)	Includes night setback.
W1080	220	McQuay logo; part no. 073318901; Premier White® color; 12°F differential between H2 and H3 for night setback.	None	
W1106	247	<u>Obsolete.</u> Addison logo; part no. 843-277; °F/°C scaleplate; used with Q674L1934 in Y594W1055.	T8611M2025	
<b>T874Y</b>		Heat pump model; 2-stage heat, 2-stage cool, heat or cool auto changeover.		
Y1005	210	<u>Obsolete.</u> Mammoth Water Source Heat Pump logo; used with Q674E1353; used in Y594Y1004.	See OEM for replacement.	
Y1013	248	<u>Obsolete.</u> WaterFurnace logo; part no. TA21H03; Premier White® color; °F/°C scaleplate; used with Q674F1675 (32003081).	See OEM for replacement.	

<sup>a</sup>Both the thermostat and subbase must be replaced.

Table 9. Q674 Subbase Cross Reference.

Model Number	Fig. No.	Description	Q674 Trade Replacement	Remarks
<b>Q674A</b>		System: HEAT-AUTO-COOL; Fan: AUTO-ON		
A1001	71	Standard OEM.	Q674A1019	
A1019	71	TRADELINE® model; used with T874A-D.	Q674A1019	
A1035	71	<u>Obsolete</u> . Trane part no. BAS-0435; used with T874A-D.	Q674A1019	
A1043	71	Honeywell logo; TRADELINE model;	Q674A1019	
A1050	71	<u>Obsolete</u> . Standard OEM.	Q674A1043	
<b>Q674B</b>		System: HEAT-OFF-COOL; Fan: AUTO-ON		
B1000	45	Standard OEM; used with T874C1570, C1695, C1703, D1843; used in Y594C1363.	Q674B1034	
B1018	44	Standard OEM; used with T874B1035, D1082; used in Y594B1026, D1016.	Q674B1018	
B1026	45	<u>Obsolete</u> . System: HEAT-OFF-RESET-COOL.	Q674B1034	
B1034	45	TRADELINE	Q674B1034	
B1042	47	<u>Obsolete</u> . Used with T874R1004, R1509; used in Y594R1029, R1334.	Y594R1243 <sup>a</sup>	Wiring differences (old=new): W1=W2.
B1059	45	<u>Obsolete</u> . Factory installed RC-RH jumper; used with T874C1059; used in Y594C1256.	Q674B1034	Field wire RC-RH.
B1075	46	Auto fan in heating and cooling mode; used with T874B1035, C1000, D1082; used in Y594D1040.	Q674B1075	
B1083	51	<u>Obsolete</u> . Carrier part no. HH93AZ178; factory installed RC-RH jumper.	Q674B1075 <sup>a</sup>	One system transformer only.
B1091	45	<u>Obsolete</u> . Carrier part no. HH93AZ184; factory installed RC-RH jumper.	Q674B1034	
B1109	47	<u>Obsolete</u> . Addison heat pump; used with T874R1012.	Y594R1243 <sup>a</sup>	Wiring differences (old=new): W1=W2.
B1117	44	<u>Obsolete</u> . Carrier part no. HH93AZ180; factory installed RC-RH jumper.	Q674B1018 <sup>a</sup>	
B1125	53	<u>Obsolete</u> . York part no. 2TB04700324A; used with T874D1041.	Q674B1075 <sup>a</sup>	Jumper RC-RH; replacement has no LOCKOUT LED.
B1133	48	<u>Obsolete</u> . Includes FILTER LED; used with T874D1082; used in Y594D1156.	Q674B1018	
B1141	51	Trane part no. BAY28X185; automatic fan operation in heat and cool mode.	Q674B1075	Set T874 H1 anticipator for combined load of heat relay and fan relay.
B1158	50	<u>Obsolete</u> . Used with T874G1071.	T874C1018/ Q674B1018 <sup>a</sup>	W1-Y1 and RH-RC jumpers required.
B1166	249	Carrier part no. HH93AZ179; factory installed RC-RH jumper; LOCKOUT LED; used with T874C1075 (HH07AT170).	Y594C1421 or Q674B1075 <sup>a</sup>	Replacement only requires one transformer and has no LOCKOUT LED.
B1190	52	<u>Obsolete</u> . Wards special; factory installed RH-RC and F-W3 jumpers; used with T874C1372.	Gas Furnace: Q674B1034 Electric Furnace: Q674B1075	
B1208	187	<u>Obsolete</u> . Used with T874C1422.	None	
B1216	54	Used with T874W1015 and C815A1005; used in Y594W1014.	Q674B1216	
B1224	49	<u>Obsolete</u> . Lennox part no. 25F7301; four LEDs; used with T874C1430.	Q674B1034	Replacement has no LEDs.

<sup>a</sup> Both the thermostat and subbase must be replaced.

Table 9. Q674 Subbase Cross Reference.

Model Number	Fig. No.	Description	Q674 Trade Replacement	Remarks
B1240	234	<u>Obsolete.</u> Northrup heat pump; AUX HEAT LED; used with T874G1139.	Y594G1252 <sup>a</sup>	Wiring differences (old=new): Y1=Y2, W1=W2; EM HT system switch position is not operational.
B1257	56	<u>Obsolete.</u> LSI-Mammoth; RESET LED; automatic fan operation in heat and cool modes; used with T874C1471; used in Y594C1314.	Q674B1075	Replacement has no LED.
B1273	57	<u>Obsolete.</u> McQuay part no. 860-442727B-00; System: OVERRIDE-HEAT-OFF-COOL; used with T874P1006.	T874A1036/ Q674B1075 <sup>a</sup>	Wiring differences (old=new): Y=Y1, L=R, W=O; jumper Y1-W1; no night setback.
			T8600D2028 (programmable)	Wiring differences (old=new): L=R, W=O; W-Y jumper required; night setback.
B1281	191	<u>Obsolete.</u> Carrier no. 42QH400103; System: HEAT-OFF-COOL; Fan: LOW-HI-CONT; international symbols on switches; used with T874R1319.	See OEM for replacement.	
B1299	46	<u>Obsolete.</u> Heil Quaker part no. HQ521714HW.	Q674B1075	
B1307	62	<u>Obsolete.</u> Includes two LEDs; used with T874F1122.	T874F1015/ Q674D1040 <sup>a</sup>	Replacement has no LEDs.
B1315	68	<u>Obsolete.</u> Friedrich part no. AQ5215; OVERRIDE and SERVICE LEDs; used with T874P1022, P1030.	T8600D2028 (programmable)	Wiring differences (old=new): L=R, W=O; W-Y jumper required; set dual fuel switch to electric heat; night setback.
B1331	65	<u>Obsolete.</u> Includes two LEDs; used with T874A1002.	Q674B1034	Replacement has no LEDs.
B1349	67	<u>Obsolete.</u> Goettl part no. 372072; used with T874R1541.	Y594R1300 <sup>a</sup>	
B1356	138	<u>Obsolete.</u> Carrier part no. HH93AZ192; used with T874L1018 (HH07AT178).	See OEM for replacement.	
B1372	44	<u>Obsolete.</u> Trane part no. BAS-0427; used with T874A-D.	Q674B1018	
B1380	46	<u>Obsolete.</u> Trane part no. BAS-0426; used with T874A-D.	Q674B1075	
B1398	48	<u>Obsolete.</u> Trane part no. BAS-0431; FILTER LED; used with T874A-D.	Q674B1034	Replacement has no LEDs.
B1406	172	<u>Obsolete.</u> Carrier part no. HH93AZ200; FAULT and CHECK FILTER LEDs; used with T874H1070 (HH07AT166), T874H1088 (HH07AT167) or T874H1153 (HH07AT167); used in Y594H1046.	T874A1150/ Q674B1075 <sup>a</sup>	Wiring differences (old=new): Y=Y1; jumper W1-Y1; replacement has no LEDs.
B1414	51	American Standard (Trane) part no. ASYSTAT1617.	Q674B1075	
B1448	215	<u>Obsolete.</u> Carrier part no. HH93A2202; Fan: Lo-Med-High-On; used with T874L1059.	See OEM for replacement.	
B1455	214	<u>Obsolete.</u> Carrier part no. HH93AZ208; Fan: Lo-Med-High-On; used with T874A1424 (HH07AT194).	See OEM for replacement.	
B1463	45	Trol-A-Temp; used with T874D1801.	None	See Trol-A-Temp.
B1471	45	Trol-A-Temp; used with T874D1827.	None	See Trol-A-Temp.
B1513	53	<u>Obsolete.</u> TRADELINE; exact replacement for Q674B1125 (York part no. 2TB04700324).	Q674B1075	Jumper RC-RH; replacement has no LOCKOUT LED.
B1521	53	<u>Obsolete.</u> Carrier Canada part no. HH93AZ179-W; gray color; includes LOCKOUT LED and removable jumpers between RC and RH terminals.	Q674B1075	Jumper RC-RH; replacement has no LOCKOUT LED; beige color.
B1539	45	<u>Obsolete.</u> Carrier part no. HH93AZ139; used with T874D2049; used in Y594D1370.	Q674B1034	
B1547	237	<u>Obsolete.</u> TRADELINE; gray color; used with T874C1810; used in Y594C1389.	Y594C1389	

<sup>a</sup> Both the thermostat and subbase must be replaced.



Table 9. Q674 Subbase Cross Reference.

Model Number	Fig. No.	Description	Q674 Trade Replacement	Remarks
B1554	82	<u>Obsolete.</u> TRADELINE; includes LOCKOUT LED and removable jumpers between RC and RH terminals; used with T874C1877; used in Y594C1421.	Y594D1347	Jumper RH-RC; system switch: Off-HEAT-AUTO-COOL.
B1562	45	<u>Obsolete.</u> Amana logo; part no. P1217701F; removable jumpers between RC and RH terminals.	Q674B1034	
B1570	45	<u>Obsolete.</u> Armstrong logo; part no. 03299A18.	Q674B1034	Replacement is beige.
B1588	45	<u>Obsolete.</u> Standard OEM.	Q674B1034	Replacement is beige.
<b>Q674C</b>		System: OFF-AUTO; Fan: AUTO-ON		
C1009	72	Standard OEM; used with T874D1082; used in Y594D1024.	Q674C1058	
C1017		<u>Obsolete.</u> Includes factory-installed RC-RH jumper; used with T874A,F,Q.	Q674C1058	
C1033	72	Trane part no. BAY28X187.	Q674C1058	
C1041	74	<u>Obsolete.</u> Command Aire heat pump; used with T874H1005, H1054.	Y594H1012 <sup>a</sup>	Wiring differences (old=new): Y1=O, Y2=Y; W-Y jumper required.
C1058	72	TRADELIN	Q674C1058	
C1066	73	<u>Obsolete.</u> Command Aire heat pump; used with T874G1352.	Y594H1012 <sup>a</sup>	Wiring differences (old=new): Y1=O, Y2=Y, L=R, R=none; R-L jumper required; no night setback.
			T8600D2028 (programmable)	Wiring differences (old=new): Y1=O, Y2=Y, L=R; W-Y jumper required; night setback.
C1074	81	<u>Obsolete.</u> Used with T874C1018.	Q674C1058	Jumper W2-Y1 and RH-RC.
C1090	77	<u>Obsolete.</u> LSI-Mammoth heat pump; used with T874K1001.	Y594R1419 <sup>a</sup>	Wiring differences (old=new): RH-RC=R, W1=B, W3=W2, W2=W1; remove Y1-W1 jumper.
C1108	143	<u>Obsolete.</u> Northrup special; AUX HEAT LED; used with T874G1139.	Y594R1243 <sup>a</sup>	Wiring differences (old=new): Y1=Y, W1=W2, C=X.
C1116	76	<u>Obsolete.</u> McQuay part no. 02005959; two LEDs; used with T874D1116.	Q674C1058	Replacement has no LEDs.
C1124	79	<u>Obsolete.</u> LSI-Mammoth heat pump; RESET LED; used with T874G-H; used in Y594G-H.	Y594G1294 T8600D2028	
C1132	75	<u>Obsolete.</u> McQuay part no. 03005049; spring return momentary system switch position; used with T874A1283.	See OEM for replacement.	
C1140	78	<u>Obsolete.</u> McQuay no. 860-442728B-00; System: OVERRIDE-AUTO-OFF; used with T874P1006.	T8600D2028 (programmable)	Wiring differences (old=new): L=R, W=O; W-Y jumper required; night setback.
C1157	72	<u>Obsolete.</u> York part no. 2TB04700124A.	Q674C1058	
C1165	192	<u>Obsolete.</u> McQuay part no. 03005050; spring return momentary system switch position.	See OEM for replacement.	
C1173	96	<u>Obsolete.</u> American Air Filter part no. 4ELN-8787; used with T874C1133.	Q674C1058	Replacement has no LEDs.
C1181	76	<u>Obsolete.</u> California heat pump; used with T874C1000.	Q674C1058	
C1199	163	<u>Obsolete.</u> American Air Filter part no. 4ELN-8788; two LEDs; spring return momentary system switch position; used with T874G1485, G1535.	T8600D2028	No momentary reset switch.

<sup>a</sup> Both the thermostat and subbase must be replaced.

Table 9. Q674 Subbase Cross Reference.

Model Number	Fig. No.	Description	Q674 Trade Replacement	Remarks
C1207	78	<u>Obsolete.</u> Friedrich; System: OVERRIDE-AUTO-OFF; used with T874P1014.	T8600D2028 (programmable)	Wiring differences (old=new): L=R, W=O; W-Y jumper required; night setback.
C1215	97	<u>Obsolete.</u> Friedrich part no. AQ5315; System: OVERRIDE-AUTO-OFF; OVERRIDE and SERVICE LEDs; used with T874P1022, P1030.	T8600D2028 (programmable)	Wiring differences (old=new): L=R, W=O; W-Y jumper required; night setback.
C1223	73	<u>Obsolete.</u> Friedrich part no. AQ5323; used on systems requiring night setback contacts; used with T874G1584.	Y594H1012 <sup>a</sup>	Wiring differences (old=new): Y1=O, Y2=Y, L=R, R=none; R-L jumper required; no night setback.
			T8600D2028 (programmable)	Wiring differences (old=new): L=R, W=O; W-Y jumper required; night setback.
C1249	164	Includes MALFUNCTION LED; used with T874H1062; used in Y594H1012.	Y594H1012 <sup>a</sup>	
C1256	73	<u>Obsolete.</u> Used with T874G1618.	Y594H1012 <sup>a</sup>	Wiring differences (old=new): Y1=O, Y2=Y, L=R, R=none; R-L jumper required; no night setback.
			T8600D2028 (programmable)	Wiring differences (old=new): L=R, W=O; W-Y jumper required; night setback.
C1264	165	<u>Obsolete.</u> Carrier part no. HH93AZ193; used with T874L1018 (HH07AT178).	See OEM for replacement.	
C1280	181, 203	<u>Obsolete.</u> McQuay heat pump; part no. 60687401; COMP FAULT LED; used with T874K1019, L1034.	T8600D2028	See thermostat description for replacement information.
C1298	76, 225	<u>Obsolete.</u> McQuay part no. 60684801; SERVICE LED; used with T874A1523, A1549, D1918.	See OEM for replacement.	
C1306	75	<u>Obsolete.</u> McQuay part no. 60685001; SERVICE LED; spring return momentary system switch position; used with T874A1325.	See OEM for replacement.	
C1314	72	<u>Obsolete.</u> Trane part no. BAS-0429; used with T874A-F.	Q674C1058	
C1322	173	<u>Obsolete.</u> Carrier part no. HH93AZ199; FAULT and CK FILTER LEDs; used with T874H1070 (HH07AT166), T874H1088 (HH07AT167) or T874H1153 (HH07AT167); used in Y594H1053.	Y594H1012 <sup>a</sup>	Wiring differences (old=new): 2=X.
C1330	177	<u>Obsolete.</u> LSI-Mammoth part no. 71115201; RESET LED; used on systems with night setback contacts; used with T874G1659, H1096; used in Y594G1427, H1020.	Y594H1012 <sup>a</sup>	Wiring differences (old=new): R1=R; R2=L.
C1355	74	Friedrich part no. AQ355; SERVICE LED; used with T874H1112.	Y594H1012 <sup>a</sup>	Wiring differences (old=new): Y1=O, Y2=Y; L-R jumper required.
C1363	99	<u>Obsolete.</u> McQuay part no. 61202601; SERVICE LED; auto fan in heat and cool mode; used with T874C.	T874C1125/Q674B1075 <sup>a</sup>	Replacement has HEAT-OFF-COOL.
	219	<u>Obsolete.</u> Used with T874C.	See OEM for replacement.	
	220	<u>Obsolete.</u> Used with T874W.	See OEM for replacement.	
	100	<u>Obsolete.</u> Used with T874W.	T8611M2025 (programmable)	Includes night setback.
C1371	72	American Standard part no. ASYSTAT616.	Q674C1058	

<sup>a</sup> Both the thermostat and subbase must be replaced.

Table 9. Q674 Subbase Cross Reference.

Model Number	Fig. No.	Description	Q674 Trade Replacement	Remarks
C1389	205, 176	<u>Obsolete</u> . Command Aire part no. P1099-0021; two LEDs; used with T874G-H.	None	See thermostat description for replacement information.
C1397	205, 171	<u>Obsolete</u> . Command Aire part no. P1099-0023; used with T874G-H.	None	See thermostat description for replacement information.
C1413	213	<u>Obsolete</u> . Carrier part no. HH93AZ204; Fan: Lo-Med-High-On; used with T874L1059.	See OEM for replacement.	
C1439	217	<u>Obsolete</u> . Bard part no. 8404-016; used with T874N1024.	See OEM for replacement.	
C1454	163	<u>Obsolete</u> . Climate Master part no. AQ5354; two LEDs; spring return momentary system switch position.	Y594G1393 <sup>a</sup>	No momentary reset switch.
C1462	25	Climate Master Special.	Q674C1058	Replacement has no LEDs.
C1470	221	<u>Obsolete</u> . Climate Master part no. RQ5370; used with T874H1138.	Y594H1012 <sup>a</sup>	Wiring differences (old=new): Y1=O, Y2=Y; replacement has MALFUNCTION LED only.
C1496	74	<u>Obsolete</u> . Carrier part no. HH93AZ213; includes SERVICE LED; used with T874H1161; used in Y594H1038.	Y594H1012 <sup>a</sup>	Wiring differences (old=new): Y1=O, Y2=Y; L-R jumper required.
C1504	83	<u>Obsolete</u> . Carrier part no. HH93AZ214; used in Y594.	Y594H1012 <sup>a</sup>	Wiring differences (old=new): Y1=O, Y2=Y, L=R, R=none; R-L jumper required; no night setback.
			T8600D2028 (programmable)	Wiring differences (old=new): Y1=O, Y2=Y, L=R; W-Y jumper required; night setback.
C1512	97	<u>Obsolete</u> . Carrier part no. HH93AZ216; System: Override-Auto-Off; includes two LEDs; used in Y594.	T8600D2028 (programmable)	Wiring differences (old=new): L=R, W=O; W-Y jumper required; night setback.
C1520	72	<u>Obsolete</u> . Carrier part no. HH93AZ210; used with T874D2049; used in Y594D1388.	Q674C1058	
C1538	163	Climate Master part no. AQ5354; System: Off-Auto-Override; includes two LEDs and momentary spring position.	Y594G1393	No momentary reset switch.
C1546	76, 225	<u>Obsolete</u> . McQuay part no. 060684802; gray color; includes one LED.	Q674C1058	Replacement has no LEDs; beige color
C1553	181, 203	<u>Obsolete</u> . McQuay logo; part no. 073319901; includes one LED.	Q674C1058	Replacement is beige.
C1561	76	McQuay logo; part no. 073319701; includes one LED.	See OEM for replacement.	
C1579	99, 100	McQuay logo; part no. 073320001; includes one LED.	See OEM for replacement.	
C1595	72	<u>Obsolete</u> . Standard OEM.	Q674C1058	
<b>Q674D</b>		System: None; Fan: None		
D1008	55, 66	<u>Obsolete</u> . Used with T874D1082, F1056; used in Y594D1057.	Q674D1040	
D1016	55	<u>Obsolete</u> . Carrier part no. HH93AZ170; RC-RH jumper.	Q674D1040	RC-RH jumper required.
D1032	58	<u>Obsolete</u> . Borg-Warner; used with T874G.	T874D1165/ Q674D1040 <sup>a</sup>	Wiring differences (old=new): Y=Y2, O=Y1, W=W2; jumper W1-Y2 required.
D1040	55	TRADELINE	Q674D1040	
D1057	55, 66	<u>Obsolete</u> . York part no. 2TB04700424A.	Q674D1040	

<sup>a</sup> Both the thermostat and subbase must be replaced.

Table 9. Q674 Subbase Cross Reference.

Model Number	Fig. No.	Description	Q674 Trade Replacement	Remarks
D1065	63	<u>Obsolete.</u> Includes two LEDs; used with T874F1122.	T874F1015/ Q674D1040 <sup>a</sup>	Replacement has no LEDs.
D1099	55, 66	<u>Obsolete.</u> Trane part no. BAS-0430; used with T874A-F.	Q674D1040	
D1107	55, 66	<u>Obsolete.</u> Snyder General part nos. 654958801/ 1520503/ 4ELN30070.	Q674F1040.	
D1115	208	Trol-A-Temp; used with T874D1801.	None	See Trol-A-Temp.
D1123	208	Trol-A-Temp; gray color; used with T874D1827.	None	See Trol-A-Temp.
D1156	55	<u>Obsolete.</u> Gray color; includes removable jumper between RC and RH terminals.	Q674D1040	Replacement is beige color.
D1164	66	<u>Obsolete.</u> Carrier part no. HH93AZ211; used in Y594D1440.	Q674D1040	
D1172	208	<u>Obsolete.</u> Amana logo; part no. P121501F; removable jumpers between RC and RH terminals.	Q674D1040	
D1180	55	<u>Obsolete.</u> York logo; part no. 2TH04703224A.	Q674D1040	
D1198	55, 66	<u>Obsolete.</u> Standard OEM.	T874D1165/ Q674D1040	Replacement is beige color.
<b>Q674E</b>		System: OFF-HEAT-AUTO-COOL; Fan: AUTO-ON		
E1007	82	Used with T874D1504; used in Y594D1180.	Q674E1049	
E1015	84	<u>Obsolete.</u> Lennox heat pump; used with T874G1006, G1154.	Y594G1252 <sup>a</sup>	Wiring differences (old=new): R=O, M=Y, F=G, V=R, Y=W2; E-W2 jumper required.
E1049	193	TRADELINER; used with T874D2031 and TG504A1025; used in Y594D1354.	Q674E1049	
E1056	82	<u>Obsolete.</u> Amana part no. D68535-7; used with T874C1059, C1331; used in Y594C1009.	Q674E1049	RC-RH jumper required.
E1064	83	<u>Obsolete.</u> RC-RH jumpered internally; EM HEAT LED.	Q674E1049	
E1072	82	Carrier part no. HH93AZ176; RC-RH jumpered internally.	Q674E1049	RC-RH jumper required.
E1080	82	Trane part no. BAY28X184.	Q674E1049	
E1098	85	<u>Obsolete.</u> Used with T874A-D.	Q674E1049	RC-RH jumper required.
E1106	185	<u>Obsolete.</u> ITT Nesbitt.	See OEM for replacement.	
E1114	87	Carrier part no. HH93AZ177; RC-RH jumper; LOCKOUT LED to indicate compressor lockout; used with HH07AT series thermostats.	Q674E1049	RC-RH jumper required; replacement has no LED.
E1122	83	<u>Obsolete.</u> Square D part no. 63600-002-10; CHECK LED.	Q674E1049	Replacement has no LED.
E1148	86	<u>Obsolete.</u> Lennox heat pump; used with T874G1014, G1022.	Y594G1252 <sup>a</sup>	Wiring differences (old=new): R=O, M=Y, F=G, Y=W2, V-VR=R; must use single transformer.
E1155	88	<u>Obsolete.</u> Lennox part no. 91C7501; HIGH and LOW LEDs; used with T874B1076, D1017.	Q674E1049	Replacement has no LEDs.
E1197	89	<u>Obsolete.</u> McQuay part no. 02005961; two LEDs; used with T874D1116.	Q674E1049	Wiring differences (old=new): D=O; replacement has no LEDs.
E1205	80	<u>Obsolete.</u> Fedders special; SERVICE LED; used with T874D1462.	Q674E1049	Replacement has no LEDs.
E1213	82	York part no. 2TB04700224A.	Q674E1403	
E1221	82	Heil Quaker part no. HQ712003HW.	Q674E1049	

<sup>a</sup> Both the thermostat and subbase must be replaced.

Table 9. Q674 Subbase Cross Reference.

Model Number	Fig. No.	Description	Q674 Trade Replacement	Remarks
E1262	82	Lennox part no. 13F1701.	Q674E1049	
E1270	198	<u>Obsolete.</u> Carrier part no. HH93AZ189; used with T874L1000 (HH07AT176).	Y594G1419 <sup>a</sup>	E-W2 jumper required.
E1304	82	<u>Obsolete.</u> BDP part no. P272-1887; used with T874L1026.	Y594G1419 <sup>a</sup>	E-W2 jumper required.
E1312	224	<u>Obsolete.</u> McQuay part no. 60684901; one LED; used with T874A1523, A1549, D1686, D1918.	Q674E1049	Replacement has no LEDs.
E1320	82	<u>Obsolete.</u> Trane part no. BAS-0434.	Q674E1049	
E1338	88	<u>Obsolete.</u> Goodman part no. CHTS36-60; HIGH and LOW LEDs; used with T874B1100; used in Y594B1042.	Q674E1049	Replacement has no LEDs.
E1346	82	<u>Obsolete.</u> Snyder General part nos. 1505753/1506753/654958B02; used with T874D1769; used in Y594D1297.	Q674E1049	
E1353	210	<u>Obsolete.</u> Mammoth; used with T874Y1005; used in Y594Y1004.	T8611M2025	
E1379	212	Trol-A-Temp by Honeywell; used with T874A1465.	None	See Trol-A-Temp.
E1395	222	<u>Obsolete.</u> Carrier part no. HH93AZ209; used with T874B1134 (HH07AT199).	T874B1019/ Q674E1049 <sup>a</sup>	Wiring differences (old=new): W1 =W; RC-RH jumper required; replacement has no LEDs.
E1403	82	TRADELIN; designed to replace York 2TH04701024; used with T874D1942; used in Y594D1347.	Y594D1347 <sup>a</sup>	
E1411	82	<u>Obsolete.</u> Carrier Canada part no. HH93AZ176-W; gray color; removable jumper between RC and RH terminals.	Q674E1049	RC-RH jumper required. Replacement is beige color.
E1429	87	Carrier Canada part no. HH93AZ177-W; gray color; includes LOCKOUT LED; removable jumper between RC and RH terminals.	Q674E1049	RC-RH jumper required. Replacement has no LOCK-OUT LED and is beige color.
E1445	82	<u>Obsolete.</u> Carrier part no. HH93AZ217-W; gray color; removable jumper between RC and RH terminals.	Q674E1049	RC-RH jumper required. Replacement is beige color.
E1460	224	McQuay logo; part no. 073319801; includes one LED.		
E1478	82	<u>Obsolete.</u> Armstrong logo; part no. 03299A19.	Q674E1049	RC-R jumper required. Replacement is beige color.
E1486	82	<u>Obsolete.</u> Standard OEM.	Q674E1049	RC-R jumper required. Replacement is beige color.
<b>Q674F</b>		System: EM.HT.-HEAT-AUTO-COOL-OFF; Fan: AUTO-ON		
F1006	141	<u>Obsolete.</u> Includes EM HEAT LED; used with T874C1331.	Q674F1022	Jumper E-X2.
F1022	142	Includes LED and field selectable inserts; used with T874C1059; used in Y594C1017, C1330.	Q674F1022	
F1030	146	Carrier part no. HH93AZ174; SUPL HEAT LED; used with T874D1074 (HH07AT172).	Q674F1022	Wiring differences (old=new): C=X1, X=X2.
F1048	149	<u>Obsolete.</u> Includes EM HEAT LED and auxiliary power terminal Z.	Q674F1022	Replacement does not include Z terminal and only requires one transformer.
F1063	146	<u>Obsolete.</u> Carrier part no. HH93AZ181; SUPL HEAT LED; used with T874D1074 (HH07AT172).	Q674F1022	Wiring differences (old=new): C=X1, X=X2.
F1071	142	<u>Obsolete.</u> Square D part no. 63600-002-11; CHECK LED.	Q674F1022	

<sup>a</sup> Both the thermostat and subbase must be replaced.

Table 9. Q674 Subbase Cross Reference.

Model Number	Fig. No.	Description	Q674 Trade Replacement	Remarks
F1089	152	<u>Obsolete.</u> Includes EM HEAT LED; X2-E and RC-RH jumpers.	Q674F1022	
F1097	142	<u>Obsolete.</u> Southwest special; W2-X2 jumper.	Q674F1022	
F1105	145	<u>Obsolete.</u> Lennox heat pump; EM HEAT LED; used with T874G1154.	Y594G1252 <sup>a</sup>	Wiring differences (old=new): V=R, Y=W2, F=G, X2=X, R=O, M=Y; L-E jumper required.
F1113	150	<u>Obsolete.</u> Lennox heat pump; part no. 24F6201; V-VR jumper; EM HEAT LED; changeover in cooling; used with T874G1014, G1022.	Y59461252 <sup>a</sup>	Wiring differences (old=new): R=O, M=Y, F=G, Y=WC, V=VR=R; must use single transformer.
F1121	153	<u>Obsolete.</u> Westinghouse heat pump; EM HEAT LED; used with T874G1048.	Y594G1252 <sup>a</sup>	
F1139	148	<u>Obsolete.</u> Tappan heat pump; EM HEAT LED; auto fan in emergency heat mode; used with T874G1147.	Y594G1252 <sup>a</sup>	Wiring differences (old=new): C=X.
F1162	151	<u>Obsolete.</u> Crispaire heat pump; EM HEAT LED; used with T874G.	Y594G1393 <sup>a</sup>	
F1170	153	<u>Obsolete.</u> Heatwave (Southwest Mfg.) heat pump; EM HT LED; used with T874G1105.	Y594G1252 <sup>a</sup>	
F1188	153	<u>Obsolete.</u> Luxaire heat pump.	Y594G1252 <sup>a</sup>	
F1196	178	<u>Obsolete.</u> Williamson; EM HEAT and SERVICE LEDs; used with T874N1008; used in Y594N1007.	Q674F1220	
F1204	154	<u>Obsolete.</u> Special for Crispaire; EM HEAT and COMP FAULT LEDs; used with T874G1089; used in Y594G1153.	Y594G1393 <sup>a</sup>	Wiring differences (old=new): A=L.
F1212	155	Includes AUX HEAT and EM HEAT LEDs; used with T874G1246, G1451, G1592, G1915; used in Y594G1252.	Q674F1212 or Y594G1252 <sup>a</sup>	
F1220	178	Used with T874N1016; used in Y594N.	Q674F1220	
F1238	155	<u>Obsolete.</u> Rheem part no. 41-20797-14; AUX HEAT and EM HEAT LEDs; used with T874G1097, G1212, G1220, G1238.	Y594G1252 <sup>a</sup>	
F1246	156	<u>Obsolete.</u> Westinghouse heat pump; EM HEAT and AUX HEAT LEDs; auto fan in emergency heat mode; changeover in cooling mode.	Y594G1252 <sup>a</sup>	
F1253	157	<u>Obsolete.</u> Wesco/Addison heat pump; used with T874G1261, G1279, G1287.	Y594G1252 <sup>a</sup>	Wiring differences (old=new): Y1=O, C=X, W1=Y, X=L.
F1261	179	Includes two LEDs; used with T874N1024; used in Y594N.	Y594G1419 <sup>a</sup>	Wiring differences (old=new): L=X2, Y=Y1.
F1279	158	<u>Obsolete.</u> Westinghouse heat pump; two LEDs; used with T874G.	Y594G1252 <sup>a</sup>	Wiring differences (old=new): L1=L.
F1295	147	<u>Obsolete.</u> Keeprite/Westinghouse heat pump; SERVICE, AUX HEAT and EM HEAT LEDs; used with T874G1188.	Y594G1252 <sup>a</sup>	Wiring differences (old=new): S=L; replacement does not include A or T terminals.
F1311	155	York heat pump; AUX HEAT and EM HEAT LEDs; used with T874G1410.	Y594G1252 <sup>a</sup>	
F1329	142	<u>Obsolete.</u> Heil Quaker part no. HQ712005HW; one LED and field selectable inserts.	Q674F1022	
F1337	166	<u>Obsolete.</u> WeatherKing heat pump; two LEDs and field selectable inserts; used with T874D1009; used in Y594D1222.	Q674F1022	Wiring differences (old=new): R=RC-RH; replacement has no LEDs.
F1345	194	<u>Obsolete.</u> Addison heat pump; EM HEAT and CHECK LEDs; used with T874G; used in Y594G.	Y594G1252 <sup>a</sup>	Wiring differences (old=new): Y1=O, C=X, W1=Y, X=L.

<sup>a</sup> Both the thermostat and subbase must be replaced.

Table 9. Q674 Subbase Cross Reference.

Model Number	Fig. No.	Description	Q674 Trade Replacement	Remarks
F1360	167	<u>Obsolete</u> . Rheem part no. 41-20797-17; AUX HEAT and EM HEAT LEDs; used with T874G1493.	Y594G1526 <sup>a</sup>	
F1378	195	<u>Obsolete</u> . Includes EM HEAT and AUX HEAT LEDs; used with T874G1501.	Y594G1252 <sup>a</sup>	Wiring differences (old=new): L1=L; changeover in cooling only.
F1394	139	<u>Obsolete</u> . Nepco heat pump; HEAT PUMP and AUX HEAT LEDs; System: AUX HEAT-HEAT PUMP-2 STAGE HEAT-OFF-COOL; used with T874D1595.	T874D1165/ Q674B1018 <sup>a</sup>	Replacement has HEAT-OFF-COOL system switching and no LEDs.
F1402	169	<u>Obsolete</u> . Coleman heat pump; two LEDs; used with T874G1576; used in Y594G1377.	Y594G1633 <sup>a</sup>	
F1410	170	Used with T874G1246, G1915; used in Y594G1393.	Y594G1393 <sup>a</sup>	
F1428	199	<u>Obsolete</u> . Used with T874G1600; used in Y594G1401.	Y594G1419 <sup>a</sup>	Wiring differences (old=new): jumper W1-Y1.
F1436	167	Includes AUX HEAT and EM HEAT LEDs; changeover in heating mode; used with T874G1626; used in Y594G1526.	None	
F1444	227	Includes AUX HEAT, EM HEAT and CHECK LEDs; used with T874G1642; used in Y594G1419.	Y594G1419 <sup>a</sup>	
F1451	204	<u>Obsolete</u> . York part no. 2TB047700524A; one LED and field selectable inserts.	Q674F1012	Wiring differences (old=new): X2=X; X1=B.
F1477	227	TRADELINE; gray color; used with T874G1741, G1824; used in Y594G1476, G1534.	Y594G1476 <sup>a</sup>	
F1485	211	Trol-A-Temp by Honeywell; changeover is provided by Trol-A-Temp zone panel; used with T874G1758; used in Y594G1492.	None	See Trol-A-Temp.
F1501	223	<u>Obsolete</u> . Carrier two-speed compressor heat pump; used with T874S1001.	T8611M2025 (programmable)	Includes night setback.
F1519	231	<u>Obsolete</u> . Nordyne; used with T874G1832, G1840; used in Y594G1542, G1559.	Y594G1252 <sup>a</sup>	Replacement has auto changeover in cooling mode only.
F1535	229	<u>Obsolete</u> . Lennox heat pump; gray color; used with T874G1857; used in Y594G1583.	Y594G1161 <sup>a</sup>	Wiring differences (old=new): E=X2, C=B, L=F.
F1543	204	<u>Obsolete</u> . TRADELINE	Q674F1022	Wiring differences (old=new): X2=X, X1=B.
F1550	243	<u>Obsolete</u> . Amana part no. 10573901; includes two LEDs; used with T874G1899; used in Y594G1591.	Y594G1633	
F1568	155	<u>Obsolete</u> . Gray color; includes two LEDs; used with only T874G1931.	Y594G1476	Y1-W1 jumper required.
F1584	169	TRADELINE; includes two LEDs; used with T874G1972; used in Y594G1633. Direct replacement for Coleman/Evcon Y594G1377 (T874G1576/Q674D1402); Coleman part no. 3600-373.	Y594G1633 <sup>a</sup>	
F1592	238	Heat Controller; Fan: AUTO-ON; System: AUX HEAT-HEAT PUMP- 2 STAGE HEAT-OFF-COOL; includes two LEDs; used with T874C1844; used in Y594C1413.	Y594R1425	E-W2 jumper required; system switch: EM.HT.-HEAT-OFF-COOL.
F1600	169	<u>Obsolete</u> . Amana part no. 10573903; includes two LEDs; used with T874G1980; used in Y594G1641.	Y594G1633	Wiring differences (old=new); W3=W2.
F1634	139	Standard OEM; System: AUX HEAT-HEAT PUMP-2 STG HEAT-OFF-COOL; includes two LEDs; used with T874D2155.	Y594G1716	
F1667	155	WaterFurnace logo; part no. TA21H03; System: OFF-AUTO-HEAT-EM HT; includes two LEDs; used with T874G2046.	Y594G1716	

<sup>a</sup> Both the thermostat and subbase must be replaced.

Table 9. Q674 Subbase Cross Reference.

Model Number	Fig. No.	Description	Q674 Trade Replacement	Remarks
F1675	248	<u>Obsolete.</u> WaterFurnace logo; part no. TA21H03; includes four LEDs.	See OEM for replacement.	
<b>Q674G</b>		System: OFF-AUTO; Fan: None		
G1005	184	<u>Obsolete.</u> Used in Y594F1063.	Q674G1070	
G1013	186	<u>Obsolete.</u> Climate Control; used with T874D1298.	See OEM for replacement.	
G1021	91	<u>Obsolete.</u> Includes O and B terminals; used with T874A-F,Q or T874D1082; used in Y594D1032.	Q674G1070	
G1047	92	<u>Obsolete.</u> Used with T874C1018, C1125.	T8611	
G1054	188	<u>Obsolete.</u> Singer part no. 0200-5963; used with T874D1298.	See OEM for replacement.	
G1062	232	<u>Obsolete.</u> Singer; used with T874D1298.	See OEM for replacement.	
G1070	91	TRADELINE	Q674G1070	
G1088	92	<u>Obsolete.</u> LSI-Mammoth part no. 71120201; used with T874C.	See OEM for replacement.	
G1096	90	<u>Obsolete.</u> Climate Control part no. 02005958; used with T874D1439, D1447.	See OEM for replacement.	
G1104	94	<u>Obsolete.</u> McQuay part no. 0200-5963; two LEDs; used with T874D1116.	See OEM for replacement.	
G1120	202, 226	<u>Obsolete.</u> McQuay part no. 60684701; two SERVICE LEDs; no fan switching; used with T874D1694, G1926.	See OEM for replacement.	
G1138	91	<u>Obsolete.</u> Trane part no. BAS-0433; used with T874A-F.	Q674G1070	
G1153	184	<u>Obsolete.</u> Carrier part no. HH93AZ212; used in Y594D1396.	Q674G1070	
G1161	184	Gray color.	Q674G1070	Replacement is beige color.
G1179	202	<u>Obsolete.</u> McQuay logo; part no. 073319601; includes two LEDs.	Q674G1161	Replacement has no LEDs.
<b>Q674J</b>		System: EM.HT.-AUTO-OFF; Fan: AUTO-ON		
J1001	180	<u>Obsolete.</u> Singer heat pump part no. 02005964; EM HEAT LED; changeover heat mode.	See OEM for replacement.	
J1019	159	<u>Obsolete.</u> Westinghouse heat pump; EM HT LED; System: EM.HT.-ON-OFF; used with T874G1048.	Y594G1252 <sup>a</sup>	Wiring differences (old=new): W=W2.
J1027	160	<u>Obsolete.</u> York part no. 025-22291; EM HEAT LED; auto fan in emergency heat mode; changeover in cool mode; used with T874G1170, G1196, G1428, G1345, G1444; used in Y594G1013, G1138, G1229.	Y594G1567 <sup>a</sup>	
J1035	161	Carrier heat pump; part no. HH93AZ173; System: SUPL.HT.-ON-OFF; SUPL HEAT LED; used with T874G1055 (HH07AT171).	Y594G1674 <sup>a</sup>	
J1043	162	TRADELINE heat pump model; designed for use on Trane heat pumps; AUX HT and EM HT LEDs; auto fan in emergency heat; changeover in cooling mode; used with T874G1204 and C815A1008; used in Y594G1161.	Q674J1043 or Y594G1161 <sup>a</sup>	Designed for use on Trane heat pumps.
J1050	183	<u>Obsolete.</u> Westinghouse heat pump; EM HEAT and AUX HEAT LEDs; used with T874G1071.	Y594G1674 <sup>a</sup>	
J1068	144	<u>Obsolete.</u> Carrier heat pump; part no. HH93AZ183; used with T874J1002 (HH07AT175) or T874J1028 (HH07AT165).	Y594J1019	
J1076	180	<u>Obsolete.</u> McQuay part no. 02005964; two LEDs; used with T874A,D.	Q674F1022	Replacement has no LEDs.

<sup>a</sup> Both the thermostat and subbase must be replaced.



Table 9. Q674 Subbase Cross Reference.

Model Number	Fig. No.	Description	Q674 Trade Replacement	Remarks
J1084	171	<u>Obsolete.</u> BDP heat pump; part no. 34427DP126, P272-1879; EM HEAT LED; used with T874J1010.	Y594J1019	Wiring differences (old=new): W1=W2, F=L.
J1118	196	<u>Obsolete.</u> Carrier heat pump; part no. HH93AZ188; SUPL HEAT LED; System: SUPL.HT.-ON-OFF; used with T874G1055 (HH07AT171).	Y594G1674	Wiring differences (old=new): C=X; Y1=W1; jumper required; no auto fan in emergency heat.
J1126	160	<u>Obsolete.</u> Luxaire no. 026-00068-000; EM HEAT LED; used with T874G1568; used in Y594G1351.	Y594G1567 <sup>a</sup>	
J1142	174	<u>Obsolete.</u> American Standard part no. WY28X0250; AUX HEAT and EM HEAT LEDs; used with T874G1675; used in Y594G1443.	Y594G1161 <sup>a</sup>	
J1159	206	<u>Obsolete.</u> Carrier heat pump; part no. HH93AZ196; used with T874J1002 (HH07AT175) or T874J1028 (HH07AT165).	Y594J1019	
J1167	175	<u>Obsolete.</u> Carrier heat pump; MANUAL, AUTO, HEAT PUMP and DEFROST LEDs; System: SUPL HEAT-ON-OFF; used with T874G1717; used in Y507J1201.	Y594G1252 <sup>a</sup>	Wiring differences (old=new): C=X, D=L; replacement has AUX HEAT and EM HEAT LEDs.
J1175	216	<u>Obsolete.</u> Snyder General part nos. 1505756, 1506756; CHECK, AUX HEAT and SYSTEM LEDs; used with T874G1774, G1782; used in Y594G1500, G1518.	Y594G1252 <sup>a</sup>	Wiring differences (old=new): E=W2, W1=W3, X=E, C=X.
J1191	161	<u>Obsolete.</u> Carrier heat pump; gray color; used with T874G1790.	Y594G1252 <sup>a</sup>	Wiring differences (old=new): C=X; replacement has °F scaleplate.
J1209	160	TRADELINE; designed to replace Y594G1013 (York part no. 2TH11702424), Y594G1229 (York part no. 6TH11702424) and York part no. 2TH11704124; used with T874G1865; used in Y594G1567.	Y594G1567 <sup>a</sup>	
J1217	171	<u>Obsolete.</u> Nordyne part no. 9132250; used with T874J1036, J1044.	Y594J1019	Wiring differences (old=new): F=L.
J1225	160	<u>Obsolete.</u> TRADELINE; gray color; designed to replace Y594G1013 (York part no. 2TH11702424), Y594G1229 (York part no. 6TH11702424) and York part no. 2TH11704124; used with T874G1873; used in Y594G1575.	Y594G1567 <sup>a</sup>	Replacement is beige.
J1241	144	<u>Obsolete.</u> Carrier Canada part no. HH93AZ183-W; gray color; System: SUPL HT-ON-OFF; includes one LED.	See OEM for replacement.	
J1258	161	<u>Obsolete.</u> Carrier Canada part no. HH93AZ173-W; gray color; System: SUPL HT-ON-OFF; includes one LED.	Y594G1674 <sup>a</sup>	Replacement is beige color.
J1266	160	York Canada; gray color; includes EM HT LED; used in Y594G1625.	Y594G1567 <sup>a</sup>	
J1274	161	TRADELINE; System: SUPL HT-ON-OFF; includes one LED; used with T874G2004; used in Y594G1674.	Y594G1674	
J1282	244	<u>Obsolete.</u> TRADELINE; System: SUPL HT-ON-OFF; includes SUPL HT LED; used with T874J1069; used in Y594J1019.	(Recontrol) T8511G1021	
<b>Q674K</b>		System: OFF-HEAT-AUTO-COOL; Fan: None		
K1000	93	<u>Obsolete.</u> Carrier part no. HH93AZ172; RC-RH jumper.	Q674E1049	Fan switch is not operational.
K1018	95	<u>Obsolete.</u> Oneida Heater part no. 3040284-02; System: OFF-WOOD-WOOD/OIL-OIL; used with T874F1106.	Q674K1026	

<sup>a</sup> Both the thermostat and subbase must be replaced.

Table 9. Q674 Subbase Cross Reference.

Model Number	Fig. No.	Description	Q674 Trade Replacement	Remarks
K1026	95	System: OFF-WOOD-WOOD/ OIL-OIL; used with T874F1155.	Q674K1026	
K1034	93	<u>Obsolete</u> . Snyder General part no. 4ELN-7920.	Q674E1049	Fan switch is not operational.
K1042	93	<u>Obsolete</u> . Carrier part no. HH93AZ172-W; gray color; includes removable jumper between RC and RH terminals.	Q674E1049	Fan switch is not operational.
<b>Q674L</b>		System: EM.HT.-HEAT-OFF-COOL; Fan: ON-AUTO		
L1017	101	<u>Obsolete</u> . York heat pump; EM HEAT LED; cooling mode changeover; compressor lockout; auto fan in EM.HT; used with T874R1046.	Y594R1243 <sup>a</sup>	Wiring differences (old=new): W=W2, X=L, B=X.
L1025	102	<u>Obsolete</u> . Lennox heat pump; part no. 24F6101; EM. HEAT LED; V-VR jumper; used with T874R1020, J1038.	Y594R1243 <sup>a</sup>	Wiring differences (old=new): M=Y, F=G, V-VR=VR, Y=W2, R=O.
L1033	115	<u>Obsolete</u> . Rheem heat pump; EM HEAT LED; used with T874R1152.	Y594R1243 <sup>a</sup>	
L1041	103	<u>Obsolete</u> . Carrier heat pump; part no. HH93AZ175; SUPL HEAT LED; used with T874G1055 (HH07AT171), G1071 (HH93AZ175), G1113.	Y594G1419	Wiring differences (old=new): C=X, jumper Y1=W1.
L1066	122	<u>Obsolete</u> . Fedders heat pump; used with T874R1269; used in Y594R1037.	Y594R1615 <sup>a</sup>	Wiring differences (old=new): K=E, C=X, W1=B, Z=L.
L1074	124	<u>Obsolete</u> . Carrier heat pump; part no. HH93AZ186; SUPL HT LED; used with T874J1002 (HH07AT175) or T874J1028 (HH07AT165).	Y594J1001	
L1082	104	<u>Obsolete</u> . Crispaire heat pump; W2-H jumper; EM HEAT LED; used with T874R1061, R1111.	Y594R1243 <sup>a</sup>	Replacement has auto fan in emergency heat mode.
L1090	105	<u>Obsolete</u> . Fedders heat pump; EM HEAT LED; changeover in heat mode; used with T874C1398, C1406, C1414.	Y594R1425 <sup>a</sup>	Wiring differences (old=new): K=E, C=X.
L1108	106	<u>Obsolete</u> . Westinghouse; EM HEAT LED.	Y594R1243 <sup>a</sup>	
L1116	107	<u>Obsolete</u> . Carrier part no. HH93AZ171; SUPL HEAT LED; used with T874D1264 (HH07AT173).	See OEM for replacement.	
L1132	108	Heil Quaker part no. HQ711598; used with T874R1137, R1673, R1731, R1749, R1814; used in Y594R1110, R1466, R1524, R1532, R1607.	Y594R1292 <sup>a</sup>	
L1140	109	<u>Obsolete</u> . Includes EM HEAT and AUX HEAT LEDs; used with T874R1053; used in Y594G1136.	Y594R1763 <sup>a</sup>	Designed for use on Trane heat pumps.
L1157	115	<u>Obsolete</u> . Rheem part no. 41-20796-14; EM HEAT and AUX HEAT LEDs; used with T874R.	Q674L1207 <sup>a</sup>	
	121	<u>Obsolete</u> . Used with T874C.	Y594C1322 <sup>a</sup>	
	123	<u>Obsolete</u> . Used with T874R.	Y594R1243 <sup>a</sup>	
L1165	110	<u>Obsolete</u> . Lennox no. 24F5901; factory installed V-VR jumper; EM HEAT and SERVICE LEDs; stage 2 heat is isolated; used with T874C1448, R1178 and C815A1013.	Y594R1763 <sup>a</sup>	Wiring differences (old=new): V-VR=R, M=Y, F=G, X=B, Y=W, A=T, R=O, E=X2.
L1173	112	<u>Obsolete</u> . Westinghouse; AUX HEAT and EM HEAT LEDs.	Y594R1243 <sup>a</sup>	
L1181	113	Used with T874R1129; used in Y594R.	Y594R1243 <sup>a</sup>	Wiring differences (old=new): X1=X.

<sup>a</sup> Both the thermostat and subbase must be replaced.

Table 9. Q674 Subbase Cross Reference.

Model Number	Fig. No.	Description	Q674 Trade Replacement	Remarks
L1199	114	<u>Obsolete.</u> Lennox no. 24F6001; used with T874D1207 and C815A1013.	T8611M2025 (programmable)	Wiring differences (old=new): V-VR=R, Y=W3, X=C, R=O, M=Y, M2=Y2-W2, F=G; jumper Y2-W2; no outdoor reset needed; use only one system transformer.
L1207	115	Used with T874R1152, R1590, R1640, R1921; used in Y594R1243, R1706.	Q674L1207 or Y594R1243 <sup>a</sup>	
L1215	116	<u>Obsolete.</u> Crispaire heat pump; used with T874R1111; used in Y594R1128.	Y594R1243 <sup>a</sup>	Replacement has auto fan in emergency heat mode. Wiring differences (old=new): A=L; set anticipator to 1.2.
L1223	117	<u>Obsolete.</u> Westinghouse special.	See OEM for replacement.	
L1231	182	<u>Obsolete.</u> Used with T874R1186 and W89.	None	
L1249	115	<u>Obsolete.</u> Used with T874R1194 and W89.	Y594R1243 <sup>a</sup>	
L1256	118	<u>Obsolete.</u> Westinghouse special; used with T874W1007.	T8611M2025 (programmable)	Includes night setback.
L1264	119	<u>Obsolete.</u> Intertherm heat pump; EM HEAT and SERV LEDs; used with T874R1202, R1608, R1699; used in Y594R1185, R1409, R1482.	Y594R1672 <sup>a</sup> or Y594R1763 <sup>a</sup>	Wiring differences (old=new): W2=W, X=B, Z=no connection, K=X, W1=H.
L1272	120	<u>Obsolete.</u> York part no. 025-22290; used with T874R1046, R1145; used in Y594R1011, R1102; used with T874R1228, R1251 R1327 and C815A1039; used in Y594R1144, R1151, R1193.	Y594R1672 <sup>a</sup>	
L1280	233	<u>Obsolete.</u> Lennox no. 52C7601; used with T874W1023 and W89.	Y594W1014 <sup>a</sup>	
L1298	182	<u>Obsolete.</u> Singer heat pump; used with T874R1160 and W89.	See OEM for replacement.	
L1314	115	<u>Obsolete.</u> Westinghouse heat pump; used with T874R1244 and W89.	Q674L1207 or Y594R1243 <sup>a</sup>	
L1322	127	<u>Obsolete.</u> EM HEAT and AUX HEAT LEDs; used with T874C1455.	Y594R1243 <sup>a</sup>	
L1330	120	<u>Obsolete.</u> York heat pump; used with T874R.	Y594R1664 <sup>a</sup>	Wiring differences (old=new): L=X, X=B.
L1348	115	<u>Obsolete.</u> Williamson heat pump; used with T874R1236.	Q674L1207	
L1355	111, 190	<u>Obsolete.</u> Lennox part no. 31F3201; V-VR jumper; used with T874C1448, R1178 and C815A1015.	Y594R1763 <sup>a</sup>	Wiring differences (old=new): V-VR=R, M=Y, F=G, X=B, Y=W, A=T, R=O, E=X2.
L1363	129	<u>Obsolete.</u> York heat pump; EM HEAT LED; used with T874G1402.	Y594R1425 <sup>a</sup>	Wiring differences (old=new): W=W2, X=E, B=X; jumper Y-W1.
L1371	124	<u>Obsolete.</u> BDP heat pump; part no. 34427DP125, P272-1878; EM HEAT LED; used with T874J1010.	Y594J1001	Wiring differences (old=new): W1=W2, F=L.
L1389	114	<u>Obsolete.</u> Lennox part no. 41F6501; V-VR jumper; used with T874D1207.	T8611M2025 (programmable)	Wiring differences (old=new): V-VR=R, Y=W3, X=C, R=O, M=Y, M2=Y2-W2, F=G; jumper Y2-W2; no outdoor reset needed; use only one system transformer.
L1397	103	<u>Obsolete.</u> Carrier part no. HH93AZ185A; SUPL HEAT LED.	Y594G1393 <sup>a</sup>	Wiring differences (old=new): C=X.

<sup>a</sup> Both the thermostat and subbase must be replaced.

Table 9. Q674 Subbase Cross Reference.

Model Number	Fig. No.	Description	Q674 Trade Replacement	Remarks
L1405	106	<u>Obsolete.</u> BDP heat pump; part no. HH641501; used with T874R1335; used in Y594R1201.	Y594R1243 <sup>a</sup>	
L1413	133	<u>Obsolete.</u> Fedders heat pump; used with T874R1343; used in Y594R1219.	Y594R1425 <sup>a</sup>	Wiring differences (old=new): K=E, C=X, Z=L; remove W1-Y jumper.
L1421	125	<u>Obsolete.</u> Coleman heat pump; used with T874R1368; used in Y594R1235.	Y594R1797 <sup>a</sup>	
L1439	131	<u>Obsolete.</u> Carrier part no. HH93AZ187; SUPL HEAT LED; System: SUPL HT-HEAT- COOL; used with T874R1384 (HH07AQ170).	Q674L1207 or Y594G1393 <sup>a</sup>	Wiring differences (old=new): C=X.
L1447	128	<u>Obsolete.</u> Williamson heat pump; three LEDs; used with T874R1392; used in Y594R1250.	Y594R1425 <sup>a</sup>	Wiring differences (old=new): A=L.
L1454	131	<u>Obsolete.</u> Carrier part no. HH93AZ197; SUPL HEAT LED; used with T874R1384 (HH07AQ170).	Y594R1393 <sup>a</sup>	Wiring differences (old=new): C=X.
L1462	113	<u>Obsolete.</u> LSI heat pump; part no. 104710002; used with T874R1400.	Y594R1243 <sup>a</sup>	Wiring differences (old=new): X1=X.
L1496	136	<u>Obsolete.</u> Trane heat pump; used with T874R1426; used in Y594R1284.	Y594R1763 <sup>a</sup>	
L1504	134	Rheem part no. 41-20796-24; used with T874R1442, R1434, R1459; used in Y594R1631, R1649, R1854.	Y594R1300 <sup>a</sup>	
L1512	108	Includes two LEDs; used with T874R1467; used in Y594R1292.	Y594R1292 <sup>a</sup>	
L1520	123	Includes EM HEAT and AUX HEAT LEDs; used with T874R1475; used in Y594R1300.	Y594R1300 <sup>a</sup>	
L1538	130	<u>Obsolete.</u> Snyder General heat pump; used with T874R1483, R1517, R1566 and C815A1005; used in Y594R1318, R1342, R1375.	Y594R1763 <sup>a</sup>	Wiring differences (old=new): C=B, W1=W, E=X2, X=F.
	132	<u>Obsolete.</u> Used with T874R1574, R1582; used in Y594R1383, R1391.	Y594R1243 <sup>a</sup>	Wiring differences (old=new): C=X, X=L, W=W2.
L1546	140	<u>Obsolete.</u> Rheem part no. 41-20797-21; three LEDs; used with T874W1031 and C815A1005; used in Y594W1022.	T8611M2025 (programmable)	Includes night setback.
L1553	137	<u>Obsolete.</u> Includes three LEDs; used with T874R1491; used in Y594R1326.	Y594R1615 <sup>a</sup>	
L1561	121	<u>Obsolete.</u> Used with T874C1638; used in Y594C1322.	Y594C1322 <sup>a</sup>	Use Y594C1322 when T874C is used.
	123	<u>Obsolete.</u> Used with T874R.	Y594R1243 <sup>a</sup>	Use Y594R1243 when T874R is used.
L1579	135	<u>Obsolete.</u> Carrier heat pump; part no. HH93AZ198; SUPL HEAT LED; used with T874R1384 (HH07AQ170).	Y594R1243 <sup>a</sup>	Wiring differences (old=new): C=X.
L1587	168	Used with T874R1616; used in Y594R1425.	Y594R1425 <sup>a</sup>	
L1595	200, 201	<u>Obsolete.</u> Miller heat pump; used with T874R1624 or T874R1202; used in Y594R1433.	Y594R1243 <sup>a</sup> or Y594R1763 <sup>a</sup>	
L1603	134	<u>Obsolete.</u> Used with T874R1632.	Y594R1243 <sup>a</sup>	
L1611	136	<u>Obsolete.</u> American Standard heat pump; part no. WY28X235; used with T874R1657; used in Y594R1441.	Y594R1763 <sup>a</sup>	
L1637	207	<u>Obsolete.</u> Carrier heat pump; part no. HH93AZ195; used with T874J1002 (HH07AT175) or T874J1010 (HH07AT165).	Y594J1001 <sup>a</sup>	

<sup>a</sup> Both the thermostat and subbase must be replaced.

Table 9. Q674 Subbase Cross Reference.

Model Number	Fig. No.	Description	Q674 Trade Replacement	Remarks
L1678	209	Trol-A-Temp by Honeywell; gray color; used with T874R1707; used in Y594R1490.	None	See Trol-A-Temp.
L1686	209	Trol-A-Temp by Honeywell; used with T874R1715; used in Y594R1508.	None	See Trol-A-Temp.
L1702	132	<u>Obsolete.</u> Snyder General heat pump; part no. 654958B07; used with T874R1723 and C815A1005; used in Y594R1516.	Y594R1672 <sup>a</sup>	Wiring differences (old=new): C=B, W1=W, X=X2.
L1710	230	Used with T874R1822; used in Y594R1615.	Y594R1615 <sup>a</sup>	
L1728	228	<u>Obsolete.</u> Lennox; gray color; used with T874R1855; used in Y594R1714.	Y594R1763 <sup>a</sup>	Wiring differences (old=new): Y1=Y, L=F, W1=W, E=X2, C=B.
L1736	120	Designed to replace Y594R1011 (York part no. 2TH11702224); used with T874R1871; used in Y594R1664.	Y594R1664 <sup>a</sup>	
		Designed to replace Y594R1151 (York part no. 2TH11702324), Y594R1193 (York part no. 6TH11702224) and York part no. 2TH11704024; used with T874R1889 and C815A1054; used in Y594R1672.	Y594R1672 <sup>a</sup>	
L1751	230	Gray color; used with T874R1897, used in Y594R1680.	Y594R1680 <sup>a</sup>	
L1769	124	<u>Obsolete.</u> Nordyne part no. 9132260; used with T874J.	See OEM for replacement.	
L1777	120	<u>Obsolete.</u> Gray color; designed to replace Y594R1151 (York part no. 2TH11702324), Y594R1193 (York part no. 6TH11702224) and York part no. 2TH11704024; used with T874R1905 and C815A1059; used in Y594R1698.	Y594R1672 <sup>a</sup>	Replacement is beige.
		Designed to replace Y594R1011 (York part no. 2TH11702224); used with T874R1913; used in Y594R1706.	Y594R1664 <sup>a</sup>	Replacement is beige.
L1785	103	<u>Obsolete.</u> Carrier part no. HH93AZ175-W; Canada; gray color; System: Supl Ht-Heat-Off-Cool; includes one LED.	Y594G1476 <sup>a</sup>	Wiring differences (old=new): C=X; Y1-W1 jumper required.
L1793	124	<u>Obsolete.</u> Carrier Canada part no. HH93AZ186-W; gray color; Fan: Auto-On; System: Supl Ht-Heat-Off-Cool; includes one LED.	Y594J1019 <sup>a</sup>	
L1801	197	American Standard (Trane) part no. THT1225; includes two LEDs; used with T874R1939; used in Y594R1748.	Y594R1763 <sup>a</sup>	
L1819	168	<u>Obsolete.</u> Inter-City Products part no. HQ1149407HW; includes three LEDs; used with T874R1947; used in Y594R1755.	Y594R1425 <sup>a</sup>	
L1827	197	TRADELINER; includes two LEDs; used with T874R1954; used in Y594R1763; direct replacement for Trane/American Standard Y594R1748 (T874R1939/Q674L1801) Trane part no. ASYSTAT 631A, Y594R1136 (T874R1053/Q674L1140).	Y594R1763 <sup>a</sup>	
L1835	140	<u>Obsolete.</u> Inter-City Products; includes three LEDs; used in Y594W1030.	T8611M2025 <sup>a</sup> (programmable)	Includes night setback.
L1843	115	<u>Obsolete.</u> Consolidated Industries part no. 9036100; gray color; includes two LEDs; used with T874R1962; used in Y594R1771.	Y594R1680 <sup>a</sup>	Includes CHECK LED.
L1850	120	York Canada; gray color; includes one LED; used with T874R1970; used in Y594R1789.	Y594R1672 <sup>a</sup>	

<sup>a</sup> Both the thermostat and subbase must be replaced.

Table 9. Q674 Subbase Cross Reference.

Model Number	Fig. No.	Description	Q674 Trade Replacement	Remarks
L1868	125	TRADELINER; includes two LEDs; used with T874R1988; used in Y594R1797; direct replacement for Evcon/Coleman Y594R1235 (T874R1368/Q674L1421) Coleman part no. 3600-368.	Y594R1797 <sup>a</sup>	
L1876	245	<u>Obsolete</u> . Amana part no. 10573902; includes two LEDs; used with T874R2002; used in Y594R1805.	Y594R1797	Wiring differences (old=new): C/X=X.
L1884	245	<u>Obsolete</u> . Amana part no. 10573904; includes two LEDs; used with T874R2010; used in Y594R1813.	Y594R1797	Wiring differences (old=new): C/X=X, W3=W2.
L1892	103	<u>Obsolete</u> . TRADELINER; System: SUPL HT-HEAT-OFF-COOL; includes one LED; used with T874G2004; used in Y594G1666; direct replacement for Carrier Y507J1011 (T874G1055/Q674L1041) Carrier part no. HH07AT171/HH93AZ175.	Y594G1674	Replacement has auto changeover.
L1900	241	<u>Obsolete</u> . TRADELINER; System: SUPL HT-HEAT-OFF-COOL; includes SUPL HT LED; used with T874J1069; used in Y594J1001; direct replacement for Carrier T874J1028/Q674J1068 (Carrier part no. HH07AT165/HH93AZ183), Carrier T874J1002/Q674J1068 (Carrier part no. HH07AT175/HH93AZ183).	Y594J1019	Replacement has auto changeover.
L1918	125	<u>Obsolete</u> . York logo; part no. 2TH11703424A; includes two LEDs; used with T874R2028 in Y594R1821.	Y594R1797 <sup>a</sup>	
L1934	123	<u>Obsolete</u> . Addison logo; part no. 843-277; includes three LEDs; used with T874W1106 in Y594W1055.	T8611M2025	
<b>Q674N</b>		System: OFF-HEAT-COOL-EVAP; Fan: AUTO-ON		
N1015	60	<u>Obsolete</u> . Goettl heat pump; changeover in heat mode; evaporative cooler circuit; used with T874C1182.	See OEM for replacement.	
N1023	61	<u>Obsolete</u> . Sigler heat pump; evaporative cooler circuit; used with T874C1349.	See OEM for replacement.	
<b>Q674P</b>		System: SUPL HT-HEAT-COOL; Fan: AUTO-ON		
P1005	126	<u>Obsolete</u> . Carrier heat pump; part no. HH93AZ169; used with T874G1071 (HH07AT171).	Y594G1419 <sup>a</sup>	Wiring differences (old=new): C=X; jumper Y1-W1; replacement has OFF-EM HT-HEAT-AUTO-COOL system switching.
<b>Q674Q</b>		System: HEAT-OFF-COOL; Fan: LOW-MED-HI-ON		
Q1004	59	<u>Obsolete</u> . McQuay special; used with T874A1267.	See OEM for replacement.	
Q1012	64	Used with T874A1291.	None	
<b>Q674R</b>		System: OFF-COOL; Fan: LO-HI-CONT		
R1003	69	<u>Obsolete</u> . Carrier part no. HH93AZ190; international symbols on fan and switches; used with T874V1008 (HH07AT177).	See OEM for replacement.	
<b>Q674S</b>		System: HEAT-COOL; Fan: None		
S1000	70	<u>Obsolete</u> . Fiberglas; Canada; SERVICE LED; used with T874C1653; used in Y594C1348.	See OEM for replacement.	
<b>Q674W</b>		System: OFF-ON; Fan: LO-MED-HI		
W1006	240	<u>Obsolete</u> . Snyder General part no. 044271801.	See OEM for replacement.	

<sup>a</sup> Both the thermostat and subbase must be replaced.

Table 10. Y594 Cross Reference.

Model Number	Fig. No.	Description	Trade Model Replacement <sup>a</sup>	Remarks
<b>Y594A</b>				
A1001	46	<u>Obsolete.</u> Amana part no. D68535-11; contains T874A1077, Q674B1075.	T874A1036/ Q674B1075	
A1019	82	<u>Obsolete.</u> Amana part no. P68535-12; contains T874A1077, Q674E1056.	T874A1036/ Q674E1049	
A1035	44	<u>Obsolete.</u> Trane part no. 268-0187-1; contains T874A1085, Q674B1018.	T874A1036/ Q674B1018	
A1043	46	<u>Obsolete.</u> Trane part no. 268-0201-5; contains T874A1085, Q674B1075.	T874A1036/ Q674B1075	
A1050	55, 66	<u>Obsolete.</u> Trane part no. 268-0201-3; contains T874A1085, Q674D1008.	T874A1036/ Q674D1040	
A1068	82	<u>Obsolete.</u> Sears part no. 42-9144; contains T874A1119, Q674E1007.	T874A1036/ Q674E1049	
A1126	64	Contains T874A1291, Q674Q1012.	None	
A1159	91	<u>Obsolete.</u> Contains T874A1440, Q674G1005.	T874A1150/ Q674G1070	
A1167	184	California Economizer; Premier White® color; contains T874A1580 and Q674G1161.	T874A1036/ Q674G1070	Replacement is beige color.
A1175	55	<u>Obsolete.</u> York logo; part no. 2TH04703224; contains T874A1622, Q674D1180.	T874A1010/ Q674D1040	
A1191	46	<u>Obsolete.</u> Amana logo; part no. P6853524R; contains T874A1002, Q674B1075.	T874A1036/ Q674B1075	
<b>Y594B</b>				
B1026	44	Trane part no. BAYSTAT012; contains T874B1035, Q674B1018.	T874B1019/ Q674B1018	
B1034	46	<u>Obsolete.</u> Trane part no. 163-552-1; contains T874B1035, Q674B1075.	T874B1019/ Q674B1075	
B1042	88	<u>Obsolete.</u> Goodman part no. CHTS36-60; contains T874B1100, Q674E1338.	T874B1019/ Q674E1049	No LEDs on replacement.
<b>Y594C</b>				
C1009	82	<u>Obsolete.</u> Amana part no. D68535-9; contains T874C1059, Q674E1056.	T874C1018/ Q674E1049	Jumper RC-RH.
C1017	142	<u>Obsolete.</u> Amana part no. D68535-10; contains T874C1059, Q674F1022.	T874C1018/ Q674F1022	
C1058	46	<u>Obsolete.</u> Contains T874C1000, Q674B1075.	T874C1018/ Q674B1075	
C1082	82	<u>Obsolete.</u> Trane part no. 166-162-1; contains T874C1083, Q674E1007.	T874C1018/ Q674E1049	
C1256	45	<u>Obsolete.</u> Amana part no. D68535-16; contains T874C1059, Q674B1059.	T874C1018/ Q674B1034	Jumper RC-RH.
C1280	45	<u>Obsolete.</u> Williamson; contains T874C1570, Q674B1000.	T874C1018/ Q674B1034	
C1314	56	<u>Obsolete.</u> LSI; contains T874C1471, Q674B1257.	T874C1018/ Q674B1018	Jumper RC-RH; no RESET LED on replacement.
C1322	121	<u>Obsolete.</u> Contains T874C1638, Q674L1561.	Y594C1322	
C1330	142	<u>Obsolete.</u> Amana part no. D68535-21; contains T874C1059, Q674F1022.	T874C1018/ Q674F1022	

<sup>a</sup> Both the thermostat and subbase must be replaced.

Table 10. Y594 Cross Reference.

Model Number	Fig. No.	Description	Trade Model Replacement <sup>a</sup>	Remarks
C1348	70	Obsolete. Fiberglas; contains T874C1653, Q674S1000.	T874C1000/ Q674B1075	Wiring differences (old=new): Y=Y1; jumper RC-RH and Y1-W1; replacement has no SERVICE LED; replacement has fan switching and HEAT-OFF-COOL system switching.
C1355	45	Obsolete. Nordyne "Miller" part no. 9122250; contains T874C1695, Q674B1000.	T874C1018/ Q674B1034	
C1363	45	Obsolete. Nordyne "Intertherm" part no. 911100001; contains T874C1703, Q674B1000.	T874C1018/ Q674B1075	Wiring differences (old=new): Y=Y1; jumper RC-RH; Y1-W; replacement has no SERVICE LED.
C1371	184	Obsolete. California Economizer; contains T874C1802 and Q674G1005.	T874C1018/ Q674G1070	
C1389	237	Obsolete. TRADELINE; Premier White® color; contains T874C1810 and Q674B1547.	Y594C1389	
C1413	238	Heat Controller "Energy Night" logo; contains T874C1844 and Q674F1592.	Y594R1425	E-W2 jumper required; system: EM.HT.-Heat-Off-Cool.
C1421	249	Obsolete. TRADELINE; contains T874C1877 and Q674B1554.	Y594D1347	Replacement has auto changeover; jumper RH-RC.
C1439		T874C1869 and Q674C1579.	None	
<b>Y594D</b>				
D1016	44	Obsolete. Trane part no. 268-0201-2; contains T874D1082, Q674B1018.	T874D1165/ Q674B1018	
D1024	72	Trane part no. BAYSTAT010; contains T874D1082, Q674C1009.	T874D1165/ Q674C1058	
D1032	91	Obsolete. Trane part no. BAYSTAT011; contains T874D1082, Q674G1021.	T874D1165/ Q674G1070	
D1040	46	Amana part no. P68535-19R; contains T874D1082, Q674B1075.	T874D1165/ Q674B1075	
D1057	55, 66	Obsolete. Trane part no. BAYSTAT007; contains T874D1082, Q674D1008.	T874D1165/ Q674D1040	
D1149	46	Obsolete. Amana part no. P68535-20C; contains T874D1322, Q674B1075.	T874D1165/ Q674B1075	
D1156	48	Obsolete. Trane part no. BAYSTAT013; contains T874D1082, Q674B1133.	T874D1165/ Q674B1018	Replacement has no FILTER LED.
D1180	82	York part no. 025-23321-000; contains T874D1504, Q674E1007.	T874D1165/ Q674E1049	
D1222	166	Obsolete. WeatherKing; contains T874D1009, Q674F1337.	T874D1165/ Q674F1022	Wiring differences (old=new): R=RH; jumper RC-RH; replacement has no EM.HT. or AUX. HT. LEDs.
D1248	82	Obsolete. Reznor part no. 93437; contains T874D1629, Q674E1007.	T874D1165/ Q674E1049	
D1297	82	Obsolete. ArcoAire part no. 1506753; contains T874D1769, Q674E1346.	T874D1165/ Q674E1049	
D1305	82	Obsolete. Comfortmaker part no. 1505753; contains T874D1785, Q674E1346.	T874D1165/ Q674E1049	
D1321	45	Obsolete. Goodman part no. CHT 90-120; contains T874D1843, Q674B1000.	T874D1165/ Q674B1034	
D1339	82	Obsolete. Nordyne part no. 5471180; contains T874D1009, Q674E1007.	T874D1165/ Q674E1049	

<sup>a</sup> Both the thermostat and subbase must be replaced.



Table 10. Y594 Cross Reference.

Model Number	Fig. No.	Description	Trade Model Replacement <sup>a</sup>	Remarks
D1347	82	TRADELINE® contains T874D1942, Q674E1403.	Y594D1347	
D1354	82	SUPER TRADELINE® contains T874D2031 (no cover), Q674E1049, and TG504A with two keys.	Y594D1354	
D1370	45	<u>Obsolete</u> . Carrier part no. 50QE90022101; contains T874D2049 and Q674B1539.	T874D1165/ Q674B1034	Replacement has °F scaleplate.
D1388	72	<u>Obsolete</u> . Carrier part no. 50QE90023101; contains T874D2049 and Q674C1520.	T874D1165/ Q674C1058	Replacement has °F scaleplate.
D1396	184	<u>Obsolete</u> . Carrier part no. 50QE90025101; contains T874D2049 and Q674G1153.	T874D1165/ Q674G1070	Replacement has °F scaleplate.
D1404	55, 66	<u>Obsolete</u> . Carrier part no. 50QE90024101; contains T874D2049 and Q674D1164.	T874D1165/ Q674D1040	Replacement has °F scaleplate.
D1412	82	<u>Obsolete</u> . Carrier "Weathermaker" part no. HH07AT209; taupe color; contains T874D2064 and Q674E1445.	T874D1165/ Q674E1049	Replacement is beige color.
D1420	82	<u>Obsolete</u> . Carrier "Zone Perfect" part no. HH07AT208; taupe color; contains T874D2072 and Q674E1445.	T874D1165/ Q674E1049	Replacement is beige color.
D1438	55, 66	<u>Obsolete</u> . Contains T874D2098 and Q674D1008.	T874D1165/ Q674D1040	Replacement has 2 setpoint levers.
D1446	55, 66	<u>Obsolete</u> . Contains T874D2106 and Q674D1008.	T874D1165/ Q674D1040	Replacement has °F scaleplate and 2 setpoint levers.
D1453	208	<u>Obsolete</u> . Amana logo; part no. P1217501F; contains T874D2163 and Q674D1172.	T874D1165/ Q674D1040	
D1461	45	<u>Obsolete</u> . Amana logo; part no. P1217701F; contains T874D2171 and Q674B1562.	T874D1942/ Q674B1034	
<b>Y594E</b>				
E1015	72	<u>Obsolete</u> . Trane part no. BAYSTAT015; contains T874E1040, Q674C1009.	T874B1019/ Q674C1058	
<b>Y594F</b>				
F1022	44	<u>Obsolete</u> . Contains T874F1031 and 40003440-001 wallplate with installed diode.	T874F1015	
F1048	72	<u>Obsolete</u> . Reznor part no. 93436; contains T874F1130, Q674C1009.	T874F1015/ Q674C1058	
F1063	91	<u>Obsolete</u> . Reznor part no. 93435; contains T874F1130, Q674G1005.	T874F1015/ Q674G1070	
<b>Y594G</b>				
G1013	160	<u>Obsolete</u> . York part no. 2TH11702424; contains T874G1170, Q674J1027.	Y594G1567	
G1138	160	<u>Obsolete</u> . York part no. 025-22286; contains T874G1196, Q674J1027.	Y594G1567	
G1153	154	<u>Obsolete</u> . Crispaire part no. HP10-51; contains T874G1089, Q674F1204.	Y594G1252	Wiring differences (old=new): A=L.
G1161	162	Contains T874G1204, Q674J1043.	Y594G1161	
G1195	155	<u>Obsolete</u> . Heil Quaker part no. HQ521387HW; contains T874G1246, Q674F1212.	Y594G1252	
G1229	160	<u>Obsolete</u> . York part no. 6TH11702424; contains T874G1428, Q674J1027.	Y594G1567	
G1245	155	<u>Obsolete</u> . BDP part no. HH641502; contains T874G1451, Q674F1212.	Y594G1252	
G1252	155	TRADELINE; contains T874G1246, Q674F1212.	Y594G1252	

<sup>a</sup> Both the thermostat and subbase must be replaced.

Table 10. Y594 Cross Reference.

Model Number	Fig. No.	Description	Trade Model Replacement <sup>a</sup>	Remarks
G1294	79	<u>Obsolete.</u> LSI; contains T874G1378, Q674C1124.	See OEM for replacement.	H2 is night setback.
G1328	194	<u>Obsolete.</u> Addison part no. 8403-197; contains T874G1543, Q674F1345.	Y594G1252	Wiring differences (old=new): Y1=O, X=L, C=X.
G1344	194	<u>Obsolete.</u> Heat Controller part no. 7601-110B; contains T874G1469, Q674F1345.	Y594G1252	Wiring differences (old=new): Y1=O, X=L, C=X; W1=Y.
G1351	160	<u>Obsolete.</u> Luxaire part no. 026-00068-000; contains T874G1568, Q674J1126.	Y594G1567	
G1369	155	<u>Obsolete.</u> Contains T874G1246, Q674F1212.	Y594G1252	
G1377	169	<u>Obsolete.</u> Coleman part no. 3600-373; contains T874G1576, Q674F1402.	Y594G1633	
G1385	155	<u>Obsolete.</u> ArcoAire; contains T874G1592, Q674F1212.	Y594G1252	
G1393	170	<u>Obsolete.</u> Contains T874R1393, Q674L1454.	Y594G1393	
G1419	227	TRADELIN; contains T874G1642, Q674F1444.	Y594G1419	
G1427	177	<u>Obsolete.</u> Mammoth part no. 73034101; contains T874G1659, Q674C1330.	See OEM for replacement.	H2 is night setback.
G1443	174	<u>Obsolete.</u> American Standard (Trane) part no. ASYSTAT650; contains T874G1675, Q674J1142.	Y594G1161	
G1476	227	TRADELIN; same as Y594G1419 except Premier White® color; contains T874G1741, Q674F1477.	Y594G1476	
G1492	211	Trol-A-Temp; contains T874G1758, Q674F1485.	None	See Trol-A-Temp for replacement.
G1500	216	<u>Obsolete.</u> Comfortmaker part no. 1505756; contains T874G1774, Q674J1175.	See OEM for replacement.	
G1518	216	<u>Obsolete.</u> ArcoAire part no. 1506756; contains T874G1782, Q674J1175.	See OEM for replacement.	
G1526	167	TRADELIN; contains T874G1626, Q674F1436.	None	
G1534	227	TRADELIN; °C; white; Australia; contains T874G1824, Q674F1477.	None	
G1542	231	<u>Obsolete.</u> Intertherm part no. 9129290; contains T874G1832, Q674F1519.	Y594G1252	Cooling changeover only.
G1559	231	<u>Obsolete.</u> Miller part no. 9129310; contains T874G1840, Q674F1519.	Y594G1252	Cooling changeover only.
G1567	160	TRADELIN; contains T874G1865, Q674J1209.	Y594G1567	
G1575	160	<u>Obsolete.</u> TRADELIN; same as Y594G1567 except Premier White® color; contains T874G1873, Q674J1225; direct replacement for York 2TH11702424 (Y594G1013 contains T874G1170/Q674J1027) and 6TH11702424 (Y594G1229 contains T874G1428/Q674J1027).	Y594G1567	Replacement is beige.
G1583	229	<u>Obsolete.</u> Lennox Canada part no. 97E78; contains T874G1857, Q674F1535.	Y594G1161	Wiring differences (old=new): E=X2, C=B, L=F.
G1591	243	<u>Obsolete.</u> Amana part no. 10636701; contains T874G1899 and Q674F1550.	Y594G1633	
G1609	155	<u>Obsolete.</u> Econar; contains T874G1915 and Q674F1212.	Y594G1252	

<sup>a</sup> Both the thermostat and subbase must be replaced.

Table 10. Y594 Cross Reference.

Model Number	Fig. No.	Description	Trade Model Replacement <sup>a</sup>	Remarks
G1617	73	<u>Obsolete</u> . Carrier part no. 50QE90020101; contains T874G1949 and Q674C1504.	Y594H1012 <sup>a</sup>	Wiring differences (old=new): Y1=O, Y2=Y, L=R, R=none; R-L jumper required; no night setback.
			T8600D2028 (programmable)	Wiring differences (old=new): Y1=O, Y2=Y, L=R; W-Y jumper required; night setback.
G1625	160	York Canada part no. 2TH11702524; contains T874G1964 and Q674J1266.	Y594G1567 <sup>a</sup>	Replacement has °F scaleplate.
G1633	169	TRADELIN; contains T874G1972 and Q674F1584; direct replacement for Y594G1377 (T874G1576/Q674F1402) Evcon/Coleman part no. 3600-373.	Y594G1633 <sup>a</sup>	
G1641	169	<u>Obsolete</u> . Amana part no. 10636703; contains T874G1980 and Q674F1600.	Y594G1633	Wiring differences (old=new): W3=W2.
G1658	155	<u>Obsolete</u> . Tempstar "Inter-City Products" part no. 1149910; contains T874G1998 and Q674F1212.	Y594G1252	
G1666	103	<u>Obsolete</u> . TRADELINE; manual changeover; contains T874G2004 and Q674L1892; direct replacement for Y507J1011 (T874G1055/Q674L1041) Carrier part no. 99TZ90041106 (HH07AT171/HH93AZ1750).	Y594G1674	Replacement has auto changeover.
G1674	161	TRADELIN; automatic changeover; contains T874G2004 and Q674J1274; direct replacement Y507J1003 (T874G1055/Q674J1035) Carrier part no. 99TZ90040106 (HH07AT171/HH93AZ173).	Y594G1674	
G1716	155	WaterFurnace logo; part no. TA21H03; contains T874G2046 and Q674F1667.	Y594G1716	
<b>Y594H</b>				
H1004	79	<u>Obsolete</u> . LSI part no. 73033901; contains T874H1039 and Q674C1124.	T8600D2028	H2 is night setback.
H1012	164	Contains T874H1062 and Q674C1249; replaces T874H1005/Q674C1041.	Y594H1012	
H1020	177	<u>Obsolete</u> . Mammoth part no. 71117101; contains T874H1096 and Q674C1330.	Y594H1012	Wiring differences (old=new): R1=R, R2=L; use jumper provided.
H1038	74	<u>Obsolete</u> . Carrier part no. 50QE90019101; contains T874H1161 and Q674C1496.	Y594H1012 <sup>a</sup>	Wiring differences (old=new): X1=O, Y2=Y; L-R jumper required.
H1046	172	<u>Obsolete</u> . Carrier part no. 50QE90026101; contains T874H1153 and Q674B1406.	T874A1130/ Q674B1075 <sup>a</sup>	Wiring differences (old=new): Y=Y1; W1-Y1 jumper required; replacement has no LEDs.
H1053	173	<u>Obsolete</u> . Carrier part no. 50QE90027101; contains T874H1153 and Q674C1322.	Y594H1012 <sup>a</sup>	Wiring differences (old=new): Z=X.
<b>Y594J</b>				
J1001	241	<u>Obsolete</u> . TRADELINE; manual changeover; contains T874J1069 and Q674L1900; direct replacement for T874J1002 or T874A1028 used with Q674L1074 or Q674L1637 (HH07AT175 or HH07AT165 used with HH93AZ186 or HH93AZ195).	(Recontrol) T8511G1021	

<sup>a</sup> Both the thermostat and subbase must be replaced.

Table 10. Y594 Cross Reference.

Model Number	Fig. No.	Description	Trade Model Replacement <sup>a</sup>	Remarks
J1019	244	<u>Obsolete.</u> TRADELINE; automatic changeover; contains T874J1069 and Q674J1282; direct replacement for T874J1002 or T874J1028 used with Q674J1068 or Q674J1159 (HH07AT175 or HH07AT165 used with HH93AZ183 or HH93AZ196).	(Recontrol) T8511G1021	
<b>Y594N</b>				
N1007	178	<u>Obsolete.</u> Williamson part no. 75-189; contains T874N1008 and Q674F1196.	T874N1016/ Q674F1196	
N1015	179	<u>Obsolete.</u> Contains T874N1040 and Q674F1261.	Y594G1419 <sup>a</sup>	Wiring differences (old=new): L=X2, Y=Y1.
N1023	178	<u>Obsolete.</u> Intertherm part no. 9111882; contains T874N1057 and Q674F1220.	T874N1016/ Q674F1220	
N1031	178	<u>Obsolete.</u> Nordyne "Miller" part no. 9122240; contains T874N1065 and Q674F1220.	T874N1016/ Q674F1220	
<b>Y594P</b>				
P1005	97	<u>Obsolete.</u> Carrier part no. 50QE90021101; contains T874P1055 and Q674C1512.	T8600D2028	Wiring differences (old=new): Y=Y1, W=O; Y1-W1 jumper required.
<b>Y594R</b>				
R1011	120	<u>Obsolete.</u> York part no. 2TH11702224; contains T874R1046 and Q674L1272.	Y594R1664	
R1029	47	<u>Obsolete.</u> Bryant; contains T874R1004 and Q674B1042.	Y594R1243	Wiring differences (old=new): W1=W2.
R1037	122	<u>Obsolete.</u> Fedders part no. 88-58-00540-001; contains T874R1269 and Q674L1066.	Y594R1615	Wiring differences (old=new): K=E, C=X, W1=B, Z=L.
R1102	120	<u>Obsolete.</u> York part no. 025-22285-000; contains T874R1145 and Q674L1272.	Y594R1664	
R1110	108	<u>Obsolete.</u> Heil Quaker part no. HQ712004HW; contains T874R1137 and Q674L1132.	Y594R1292	
R1128	116	<u>Obsolete.</u> Crispaire part no. HP9-51; contains T874R1111 and Q674L1215.	Y594R1243	Wiring differences (old=new): A=L.
R1136	109	<u>Obsolete.</u> Contains T874R1053 and Q674L1140.	Y594R1763	
R1151	120	<u>Obsolete.</u> York part no. 2TH11702324; contains T874R1251, Q674L1272 and C815A1039.	Y594R1672	
R1185	201	<u>Obsolete.</u> Intertherm part no. 9111871; contains T874R1202 and Q674L1264.	Y594R1672	Wiring differences (old=new): W2=W, X=B, Z=no connection, K=X, W1=H.
R1193	120	<u>Obsolete.</u> York part no. 6TH11702224; contains T874R1327 and Q674L1272.	Y594R1664	
R1201	106	<u>Obsolete.</u> BDP part no. HH641501; contains T874R1335 and Q674L1405.	Y594R1243	
R1219	133	<u>Obsolete.</u> Fedders part no. 88-58-00560-001; contains T874R1343 and Q674L1413.	Y594R1425	Wiring differences (old=new): K=E, C=X, Z=L; remove factory installed jumper.
R1235	125	<u>Obsolete.</u> Coleman part no. 3600-368; contains T874R1368 and Q674L1421.	Y594R1797	
R1243	115	TRADELIN; contains T874R1152 and Q674L1207.	Y594R1243	
R1250	128	<u>Obsolete.</u> Williamson part no. 75-191; contains T874R1392 and Q674L1447.	Y594R1425	Wiring differences (old=new): A=L.
R1284	136	<u>Obsolete.</u> Trane part no. BAYSTAT339; contains T874R1426 and Q674L1496.	Y594R1763	

<sup>a</sup> Both the thermostat and subbase must be replaced.

Table 10. Y594 Cross Reference.

Model Number	Fig. No.	Description	Trade Model Replacement <sup>a</sup>	Remarks
R1292	108	Contains T874R1467 and Q674L1512; replaces Y594R1110 (T874R1137/Q674L1132).	Y594R1292	
R1300	123	Contains T874R1475 and Q674L1520.	Y594R1300	
R1318	130	<u>Obsolete.</u> Comfortmaker part no. 1505721; contains T874R1483, Q674L1538 and C815A1005.	Y594R1763	Wiring differences (old=new): W1=W, E=X2, X=F, C=B.
R1326	137	<u>Obsolete.</u> SUPER TRADELINE; contains T874R1491 and Q674L1553.	Y594R1615	
R1334	47	<u>Obsolete.</u> Slant Fin; contains T874R1509 and Q674B1042.	Y594R1243	Wiring differences (old=new): W1=W2.
R1342	130	<u>Obsolete.</u> ArcoAire part no. 1506721; contains T874R1517, Q674L1538 and C815A1005.	Y594R1763	Wiring differences (old=new): W1=W, E=X2, X=F, C=B.
R1359	113	<u>Obsolete.</u> ArcoAire part no. A02074; contains T874R1525 and Q674L1181.	Y594R1243	Wiring differences (old=new): X1=X.
R1375	130	<u>Obsolete.</u> Contains T874R1566, Q674L1538 and C815A1005.	Y594R1763	Wiring differences (old=new): W1=W, E=X2, X=F, C=B.
R1383	132	<u>Obsolete.</u> Comfortmaker part no. 1505739; contains T874R1574 and Q674L1538.	Y594R1243	Wiring differences (old=new): W=W2, C=X, X=L.
R1391	132	<u>Obsolete.</u> ArcoAire part no. 1506739; contains T874R1582 and Q674L1538.	Y594R1243	Wiring differences (old=new): W=W2, C=X, X=L.
R1409	119	<u>Obsolete.</u> Intertherm part no. 6244630; contains T874R1608 and Q674L1264.	Y594R1763	Wiring differences (old=new): W2=W, X=B, Z=F, K=X2, W1=O.
R1417	113	<u>Obsolete.</u> Comfortmaker part no. 1505-735; contains T874R1301 and Q674L1181.	Y594R1243	Wiring differences (old=new): X1=X.
R1425	168	SUPER TRADELINE; contains T874R1616 and Q674L1587.	Y594R1425	
R1433	200	<u>Obsolete.</u> Miller part no. 9115900; contains T874R1624 and Q674L1595.	Y594R1243	Wiring differences (old=new): W2=W, X=B, Z=F, K=X2, W1=O.
R1441	136	<u>Obsolete.</u> American Standard (Trane) part no. ASYSTAT651; contains T874R1657 and Q674L1611.	Y594R1763	
R1466	108	Heil Quaker part no. 1060321; model no. HAXB004TW01; contains T874R1673 and Q674L1132.	Y594R1292	
R1482	119	<u>Obsolete.</u> Nordyne "Miller" part no. 9122230; contains T874R1699 and Q674L1264.	Y594R1763	Wiring differences (old=new): W2=W, X=B, Z=F, K=X2, W1=O.
R1490	209	Trol-A-Temp; contains T874R1707 and Q674L1678.	None	See Trol-A-Temp for replacement.
R1508	209	Trol-A-Temp; contains T874R1715 and Q674L1686.	None	See Trol-A-Temp for replacement.
R1516	132	<u>Obsolete.</u> Snyder General part no. 654958B07; contains T874R1723, Q674L1702 and C815A1005.	Y594R1763	Wiring differences (old=new): W1=W, C=B, X=X2.
R1524	108	<u>Obsolete.</u> Inter-City Products part no. HQ1147925HW; contains T874R1731 and Q674L1132.	Y594R1292	
R1532	108	Heil Quaker part no. 1060322; model no. TAXB004TW01; contains T874R1749 and Q674L1132.	Y594R1292	
R1607	108	<u>Obsolete.</u> Keeprite THPC; contains T874R1814 and Q674L1132.	Y594R1292	

<sup>a</sup> Both the thermostat and subbase must be replaced.

Table 10. Y594 Cross Reference.

Model Number	Fig. No.	Description	Trade Model Replacement <sup>a</sup>	Remarks
R1615	230	TRADELINE; contains T874R1822 and Q674L1710; replaces Y594R1326 (T874R1491/Q674L1553).	Y594R1615	
R1623	134	<u>Obsolete</u> . Rheem Universal Parts part no. 41-20796-46; contains T874R1558 and Q674L1504.	Y594R1300	
R1631	134	Rheem part no. 41-20796-29; contains T874R1442 and Q674L1504.	Y594R1300	
R1649	134	Ruud part no. 41-20796-33; contains T874R1434 and Q674L1504.	Y594R1300	
R1656	134	<u>Obsolete</u> . WeatherKing part no. 41-20796-64; contains T874R1830 and Q674L1504.	Y594R1300	
R1664	120	TRADELINE; contains T874R1871 and Q674L1736; direct replacement for York 2TH11702224 (Y594R1011 contains T874R1046/Q674L1272).	Y594R1664	
R1672	120	TRADELINE; contains T874R1889, Q674L1736 and C815A1054; direct replacement for York 2TH11702324 (Y594R1151 contains T874R1251/Q674L1272/C815A1039) and 6TH11702224 (Y594R1193 contains T874R1327/Q674L1272).	Y594R1672	
R1680	230	TRADELINE; same as Y594R1615 except Premier White® color; contains T874R1897 and Q674L1751; direct replacement for Y594R1326 (T874R1491/Q674L1553).	Y594R1680	
R1698	120	<u>Obsolete</u> . TRADELINE; Premier White® color; contains T874R1905, Q674L1777 and C815A1054.	Y594R1672	Replacement is beige.
R1706	120	<u>Obsolete</u> . TRADELINE; same as Y594R1664 except Premier White® color; contains T874R1913 and Q674L1777; direct replacement for Y594R1011 (T874R1046/Q674L1272) York part no. 2TH11702224.	Y594R1664	Replacement is beige.
R1714	228	<u>Obsolete</u> . Lennox part no. 97E79; Canada; Premier White® color; contains T874R1855 and Q674L1728.	Y594R1763	Wiring differences (old=new): Y1=Y, L=F, W1=W, E=W2, C=B.
R1722	115	<u>Obsolete</u> . Econar; contains T874R1921 and Q674L1207.	Y594R1243 <sup>a</sup>	
R1748	197	American Standard (Trane) part no. ASYSTAT651A; contains T874R1939 and Q674L1801.	Y594R1763 <sup>a</sup>	
R1755	168	<u>Obsolete</u> . Inter-City Products part no. HQ1149376HW; contains T874R1947 and Q674L1819.	Y594R1425 <sup>a</sup>	
R1763	197	TRADELINE: contains T874R1954 and Q674L1827; direct replacement for Y594R1136 (T874R1053/Q674L1140), Y594R1748 (T874R1939/Q674L1801) Trane part no. ASYSTAT651A, Y594R1441 (T874R1657/Q674L1611) Trane part no. ASYSTAT651.	Y594R1763	
R1771	115	<u>Obsolete</u> . Consolidated Industries part no. 9036100; contains T874R1962 and Q674L1843.	Y594R1680 <sup>a</sup>	Includes CHECK LED.
R1789	120	York Canada part no. 2TH11701524; contains T874R1970 and Q674L1850.	Y594R1672 <sup>a</sup>	Replacement has °F scaleplate.

<sup>a</sup> Both the thermostat and subbase must be replaced.

Table 10. Y594 Cross Reference.

Model Number	Fig. No.	Description	Trade Model Replacement <sup>a</sup>	Remarks
R1797	125	TRADELINER; contains T874R1988 and Q674L1868; direct replacement for Y594R1235 (T874R1368/Q674L1421) Evcon/Coleman part no. 3600-368).	Y594R1797 <sup>a</sup>	
R1805	245	<u>Obsolete</u> . Amana part no. 10636702; contains T874R2002 and Q674L1876.	Y594R1797	Wiring differences (old=new): C/X=X.
R1813	245	<u>Obsolete</u> . Amana part no. 10636704; contains T874R2010 and Q674L1884.	Y594R1797	Wiring differences (old=new): C/X=X, W3=W2.
R1821	125	<u>Obsolete</u> . York logo; part no. 2TH11703424A; contains T874R2028 and Q674L1918.	Y594R1797	
R1839	134	Rudd logo; part no. 41-20796-48; contains T874R2036 and Q674L1504.	See OEM for replacement.	
R1854	123	<u>Obsolete</u> . Rheem logo; part no. 41-20796-47; contains T874R1996 and Q674L1504.	Y594R1300	
<b>Y594W</b>				
W1014	54	Contains T874W1015, Q674B1216 and C815A1005.	Y594W1014	
W1022	140	<u>Obsolete</u> . Rheem part no. 41-20797-19; contains T874W1031, Q674L1546 and C815A1005.	T8611M2025.	
W1030	68	<u>Obsolete</u> . Inter-City Products part no. 1072350; contains T874W1072, Q674L1835 and C815A1005 Outdoor Thermistor.	T8611M2025 (programmable)	Includes night setback.
W1055	247	<u>Obsolete</u> . Addison logo; part no. 843-277; contains T874W1106, Q674L1934 and C815A1005.	T8611M2025	
<b>Y594Y</b>				
Y1004	210	<u>Obsolete</u> . Mammoth part no. 71117301; contains T874Y1005 and Q674E1353.	See OEM for replacement.	
Y1012	248	<u>Obsolete</u> . WaterFurnace logo; part no. TA21H03; contains T874Y1013 and Q674F1675.		

<sup>a</sup> Both the thermostat and subbase must be replaced.

# WIRING DIAGRAMS

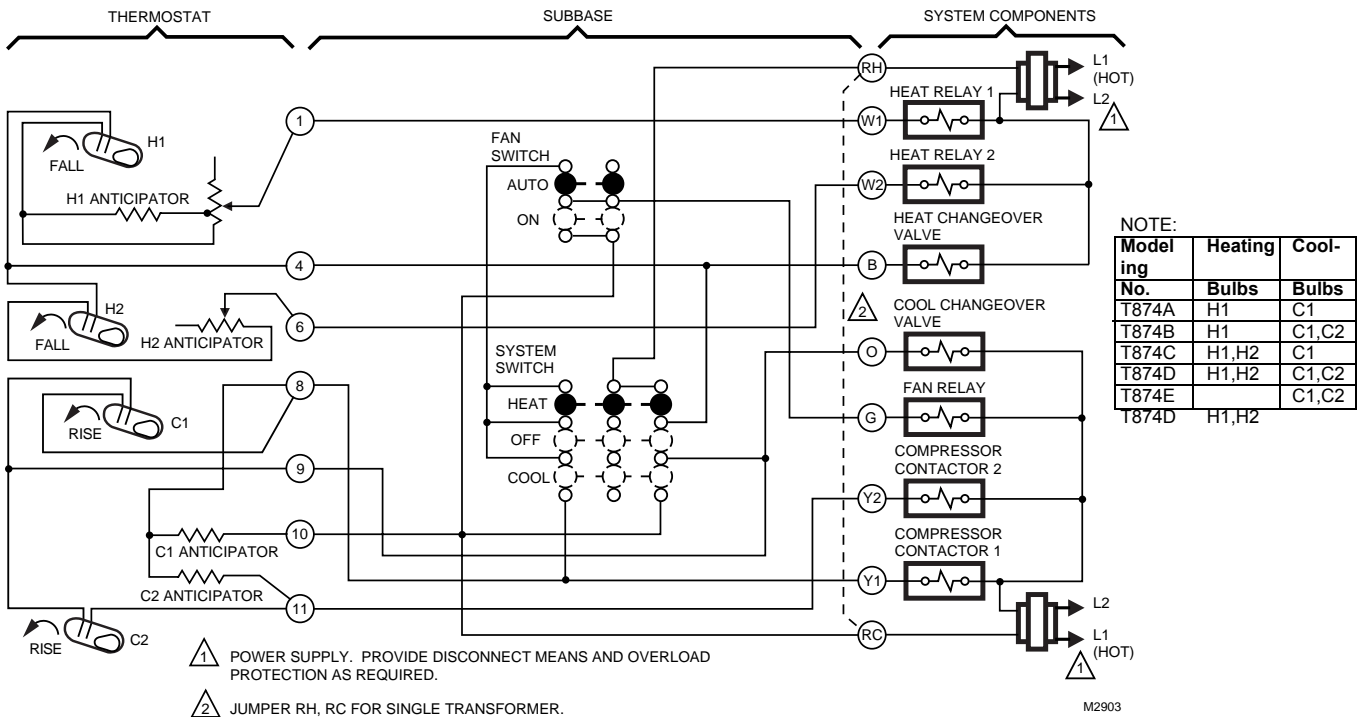


Fig. 44. Schematic and hookup of T874A,B,C,D,E,F with Q674B. Used in standard applications.

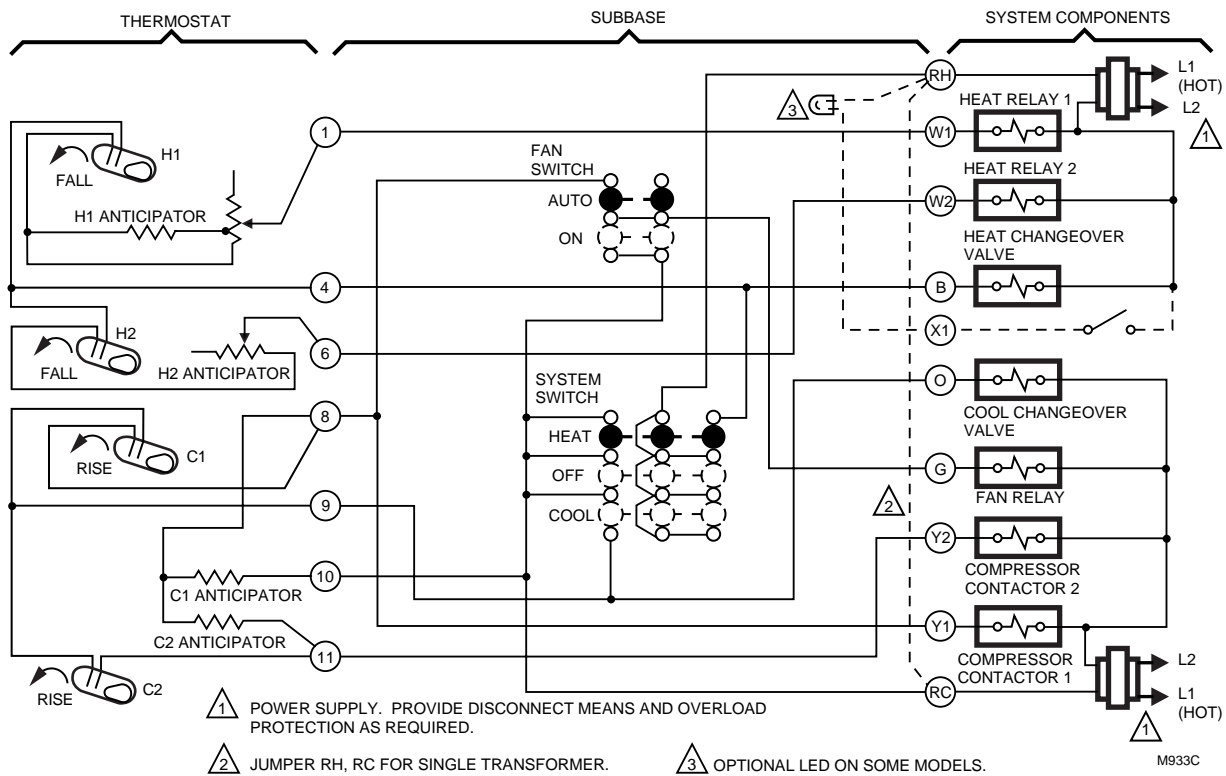


Fig. 45. Schematic and hookup of T874C,D with Q674B. Used in standard applications.



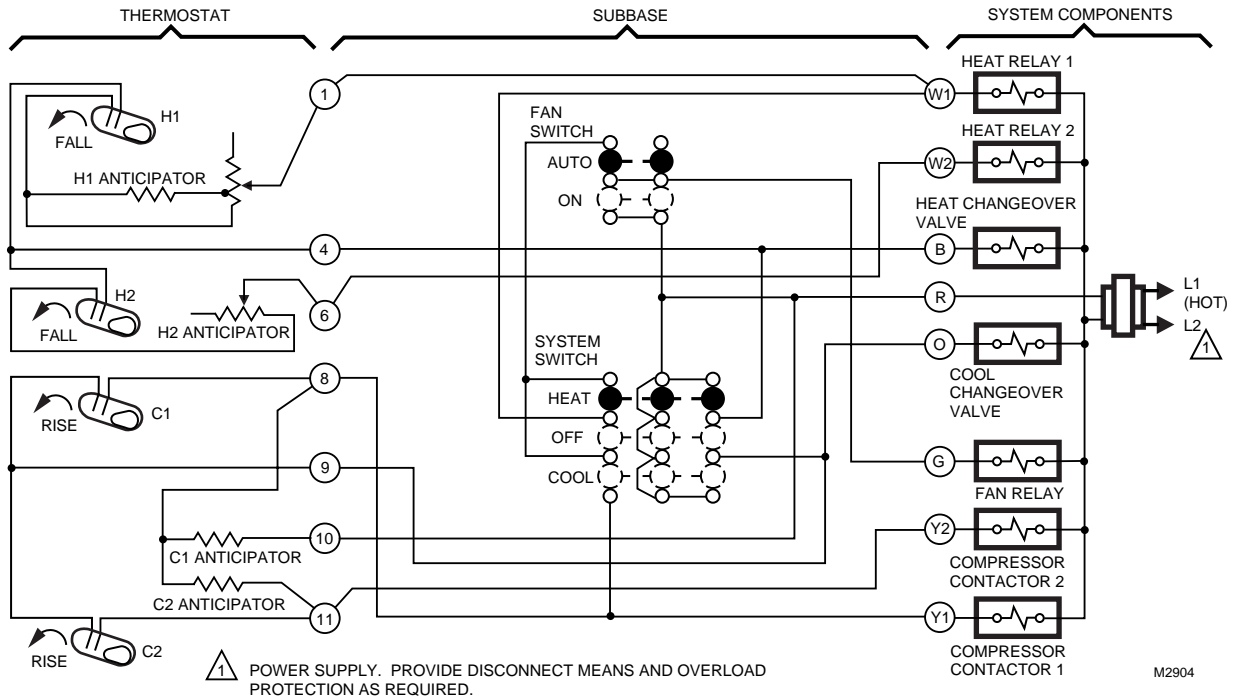


Fig. 46. Schematic and hookup of T874A,B,D with Q674B. Used in standard applications.

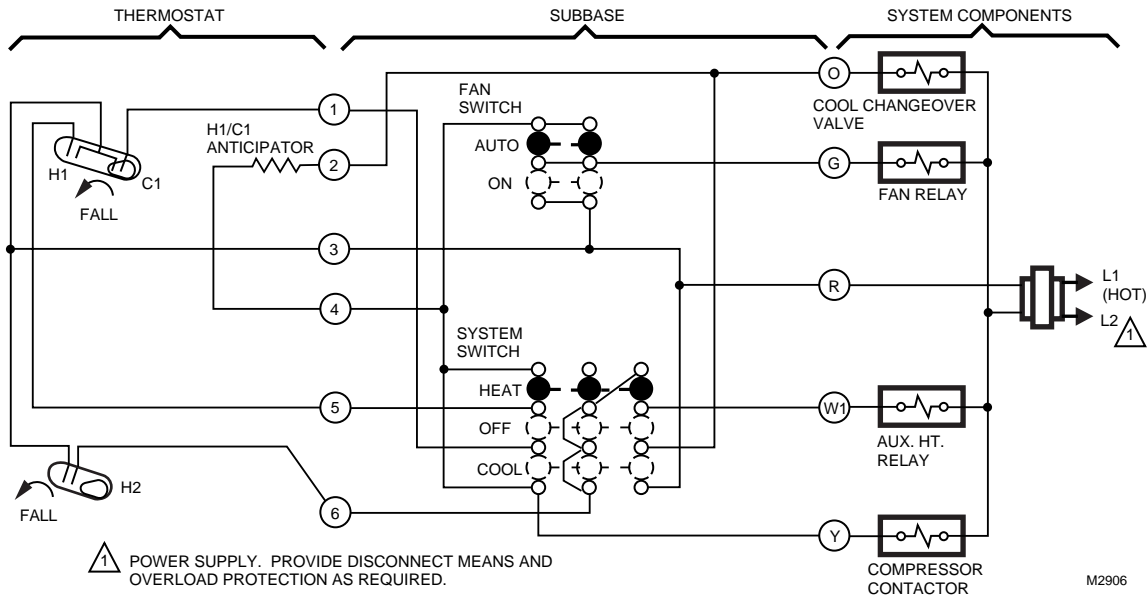


Fig. 47. Schematic and hookup of T874R with Q674B. Used in heat pump applications.

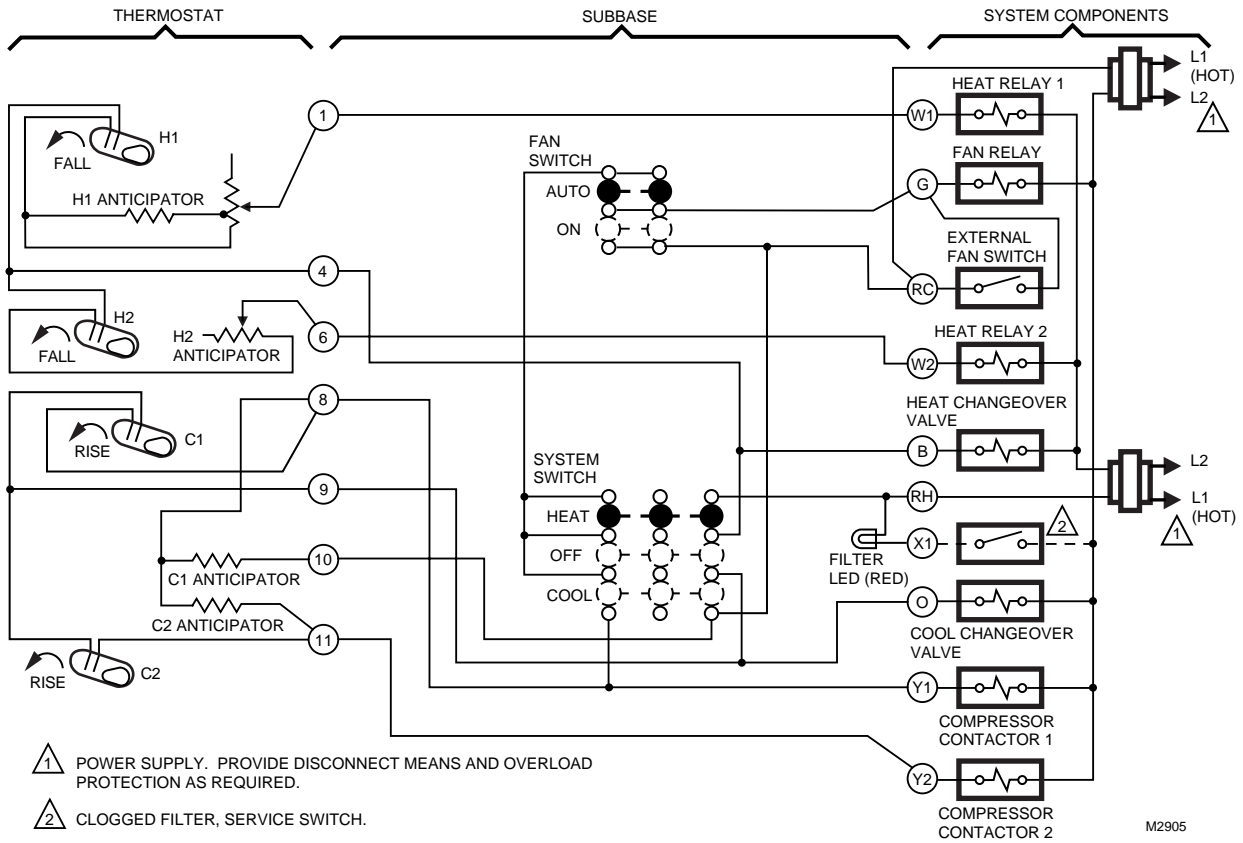


Fig. 48. Schematic and hookup of T874D with Q674B. Used in standard applications.

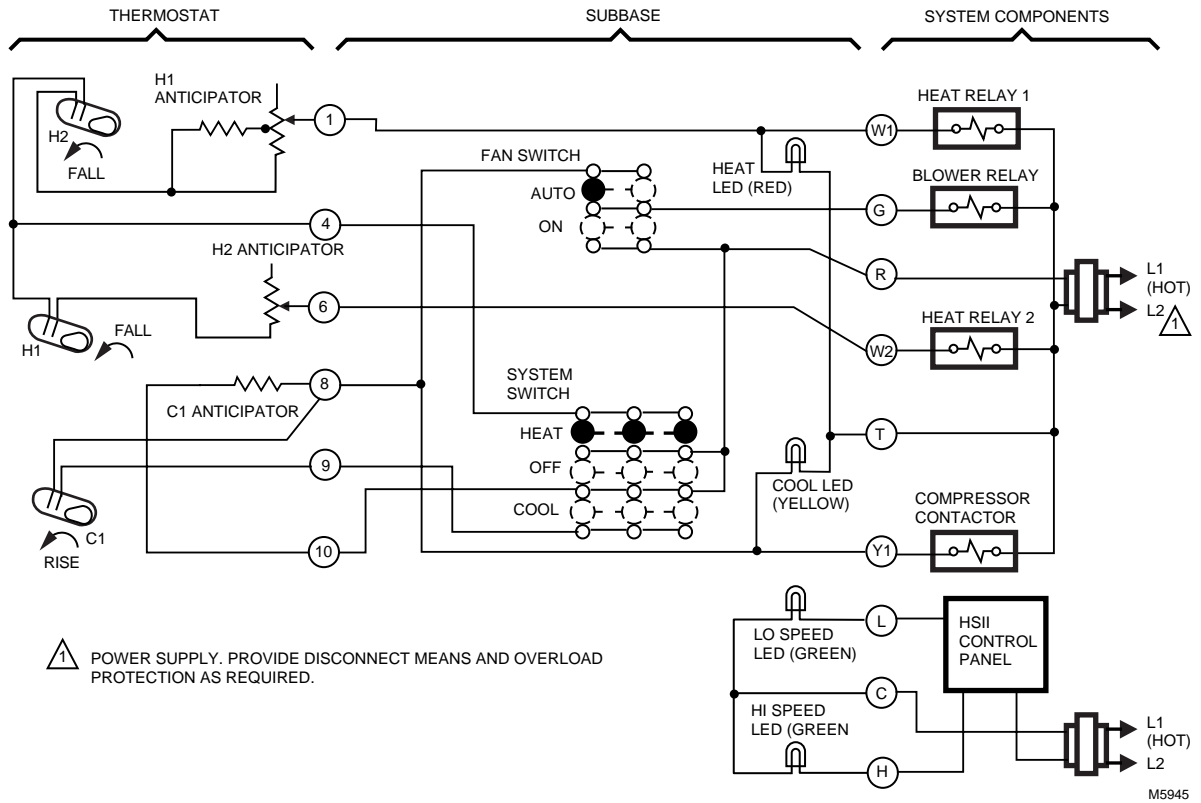


Fig. 49. Schematic and hookup of T874C with Q674B. Used in standard applications.

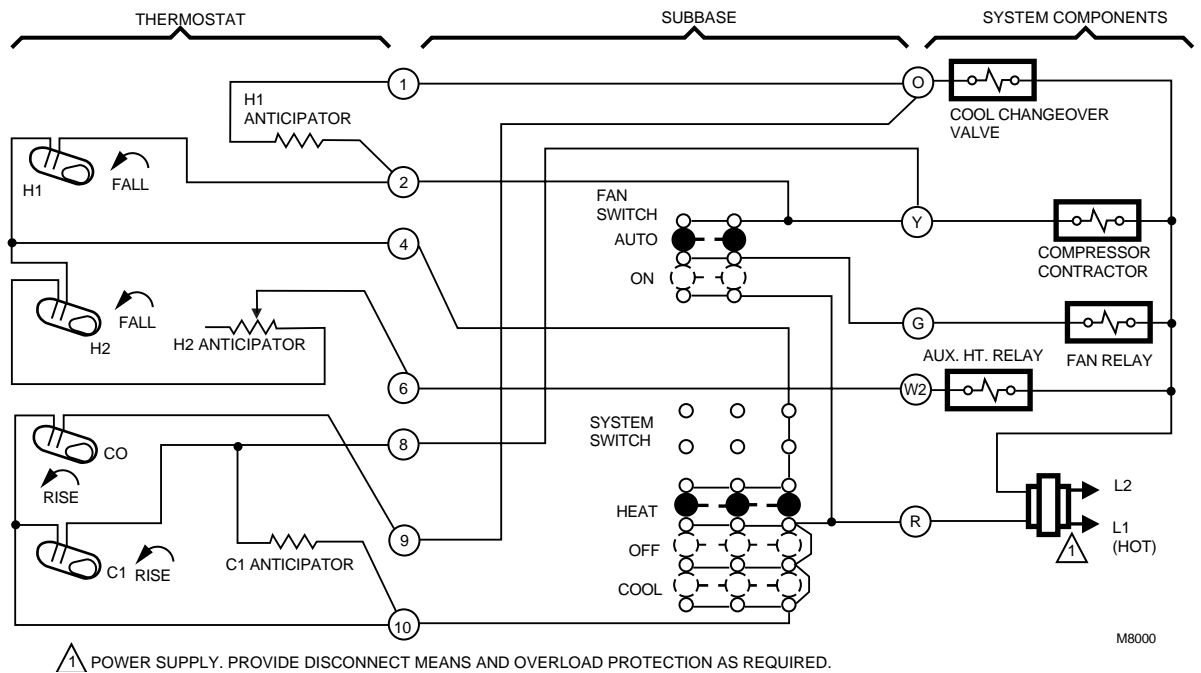


Fig. 50. Schematic and hookup of T874G with Q674B. Used in heat pump applications.

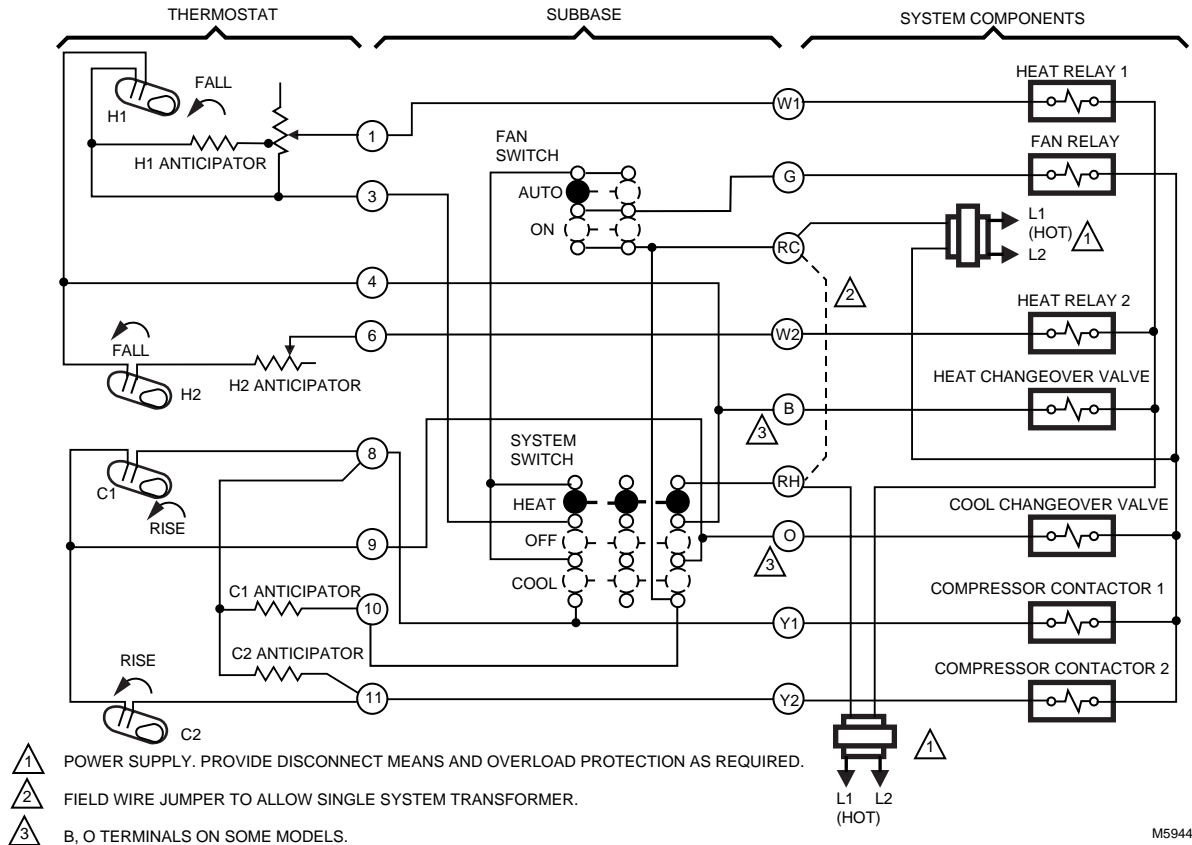


Fig. 51. Schematic and hookup of T874D with Q674B. Used in standard applications.

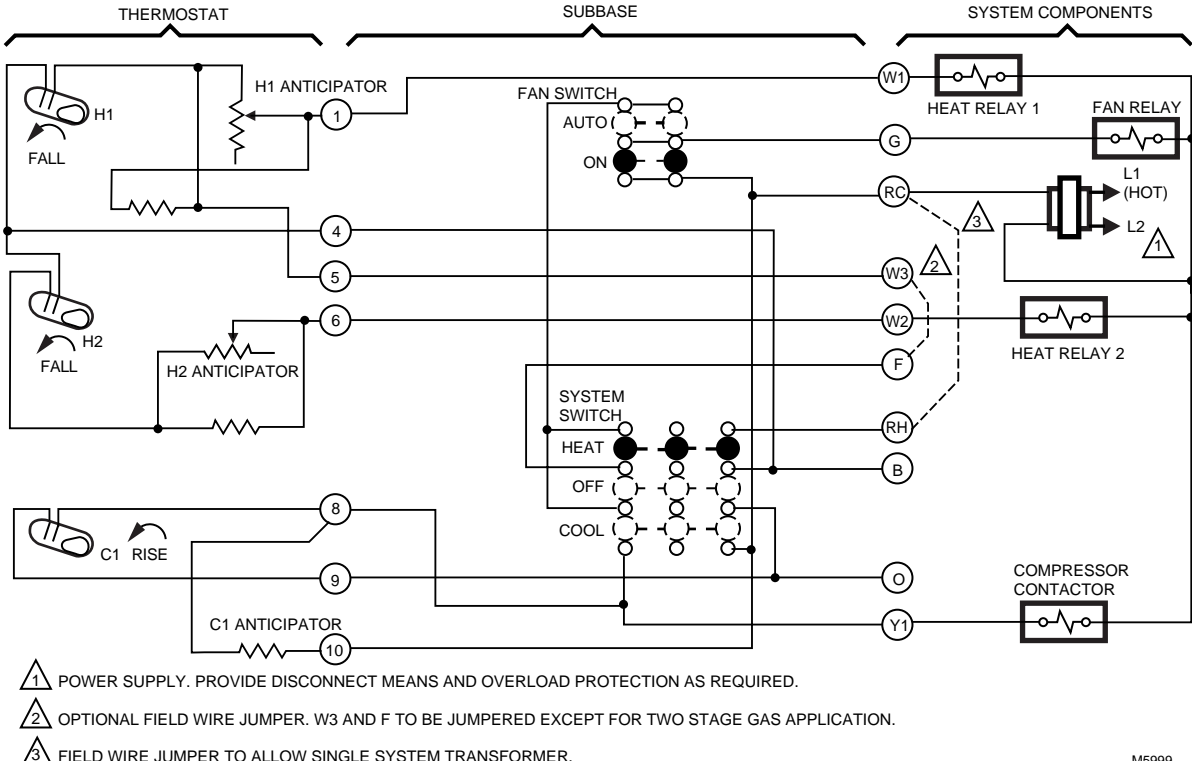


Fig. 52. Schematic and hookup of T874C with Q674B. Used in standard applications.

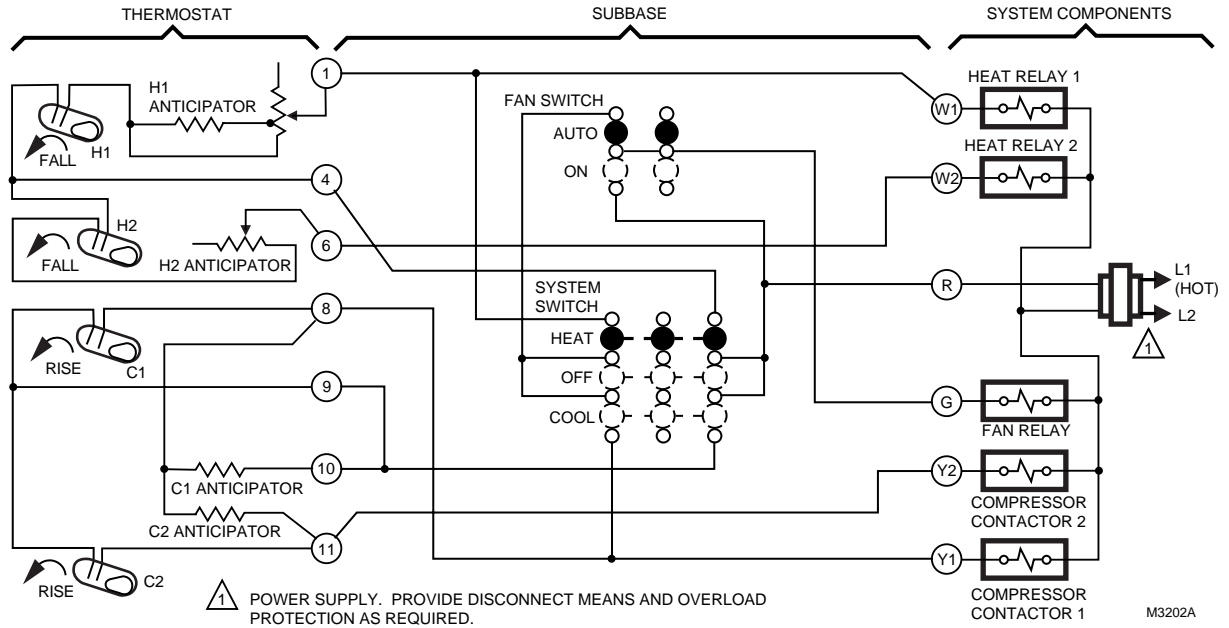


Fig. 53. Schematic and hookup of T874D with Q674B. Used in standard applications.

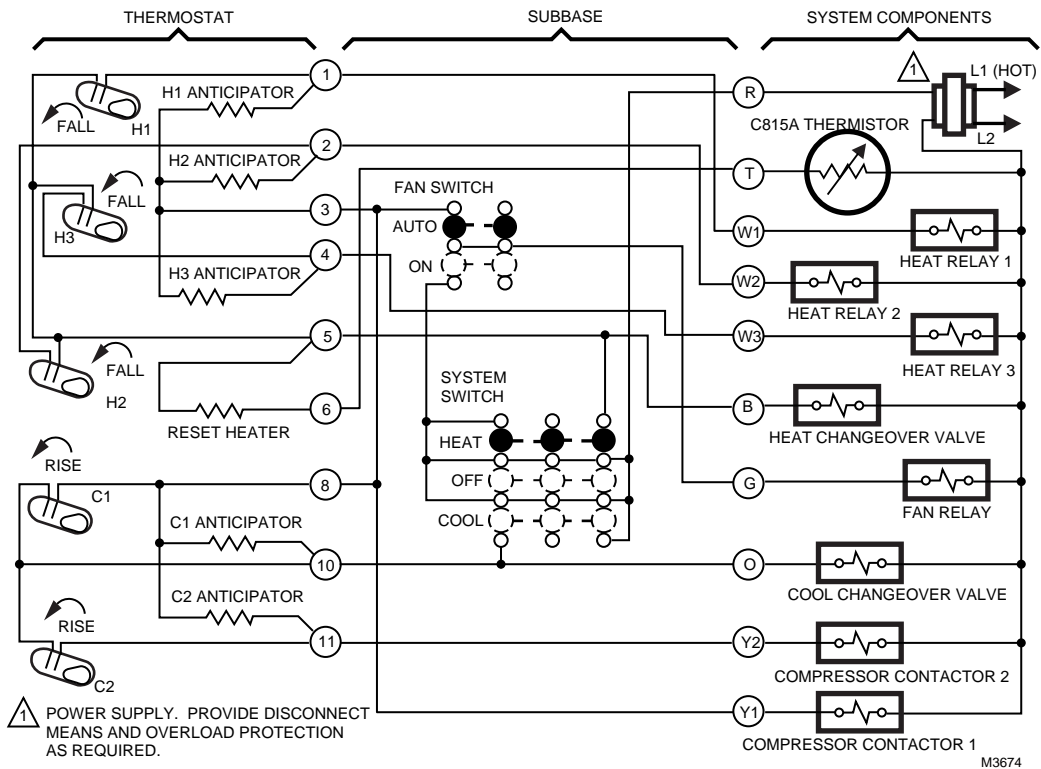


Fig. 54. Schematic and hookup of T874W with Q674B. Used in standard applications.

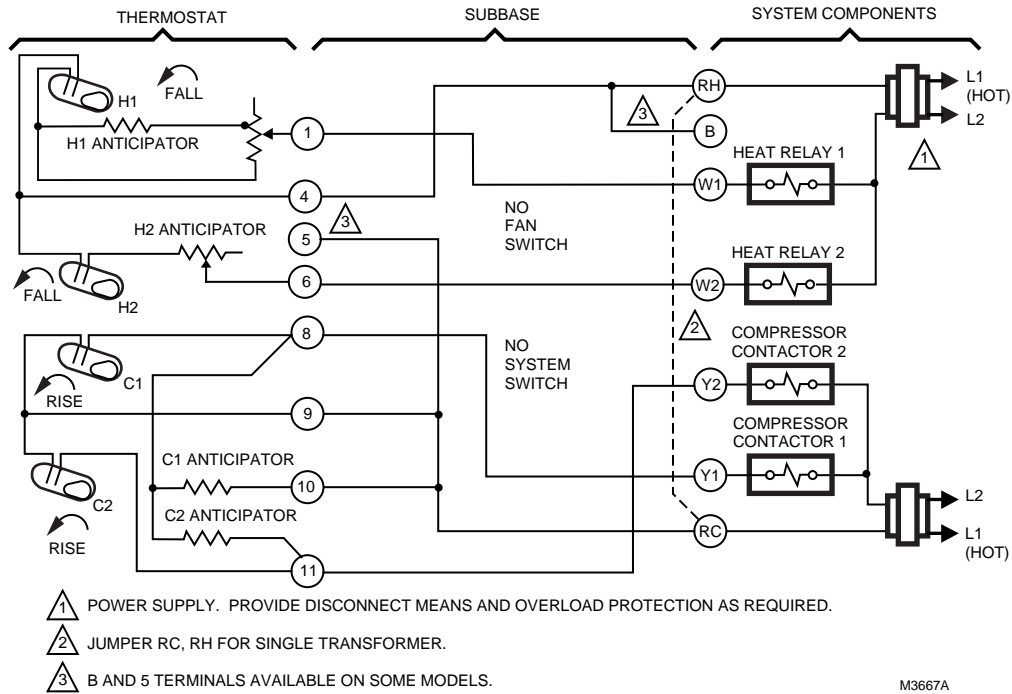


Fig. 55. Schematic and hookup of T874A,D,F with Q674D. Used in standard applications.

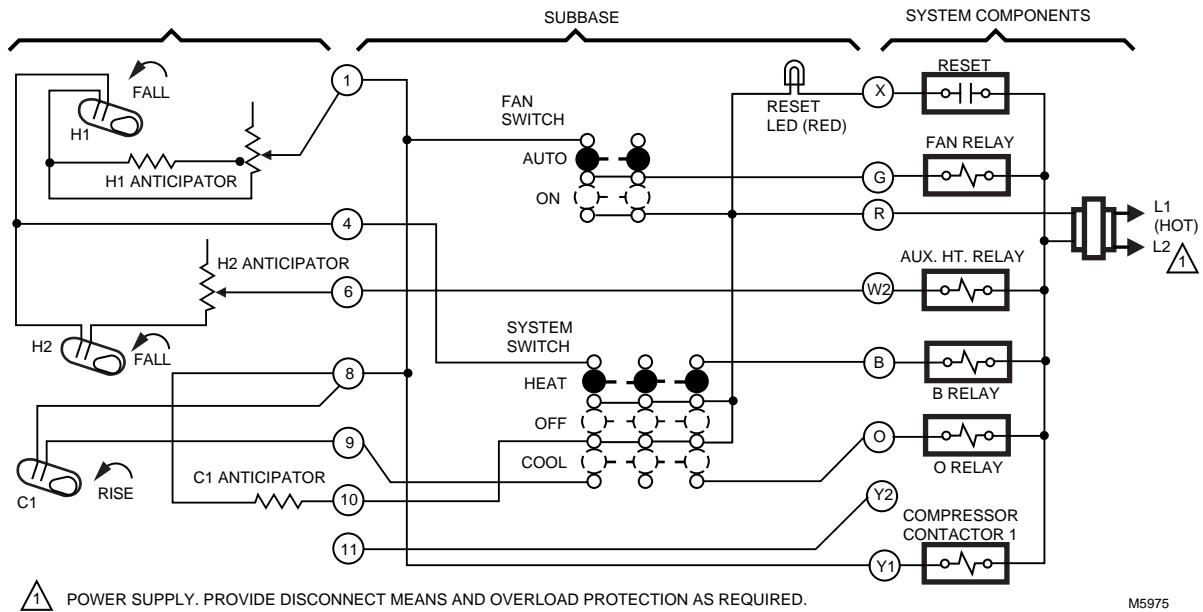


Fig. 56. Schematic and hookup of T874C with Q674B. Used in standard applications.

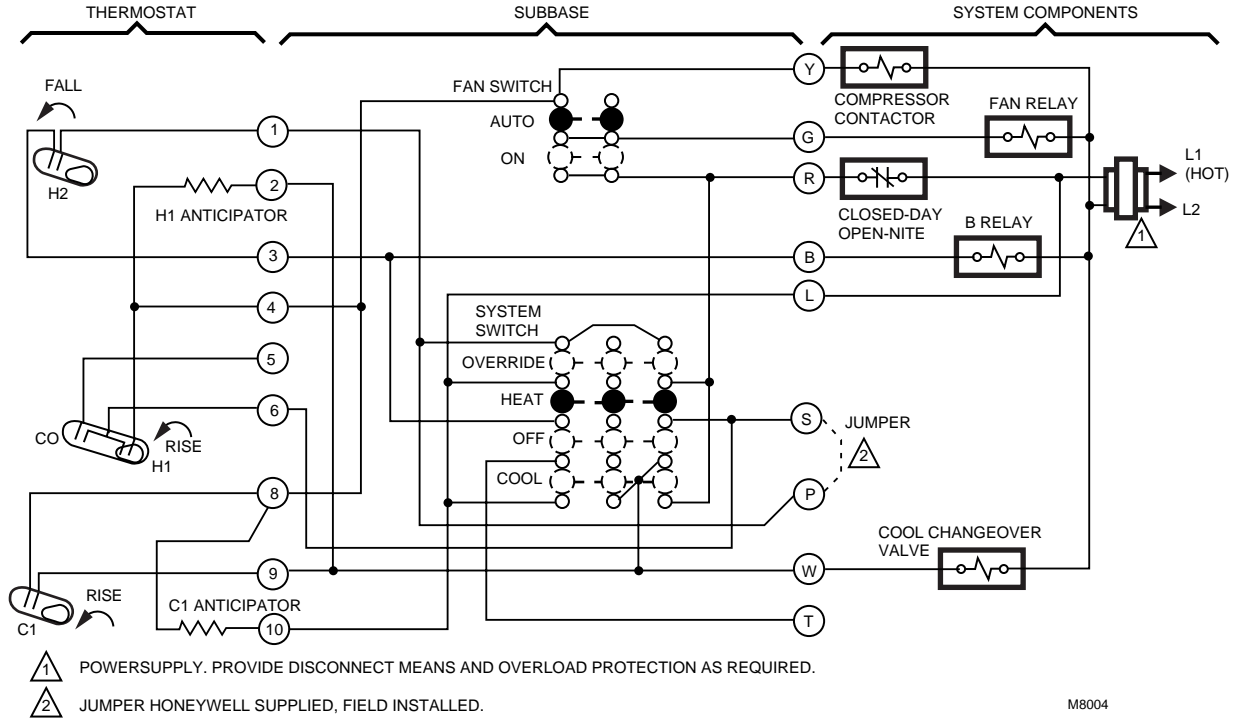


Fig. 57. Schematic and hookup of T874P with Q674B. Used in heat pump applications.

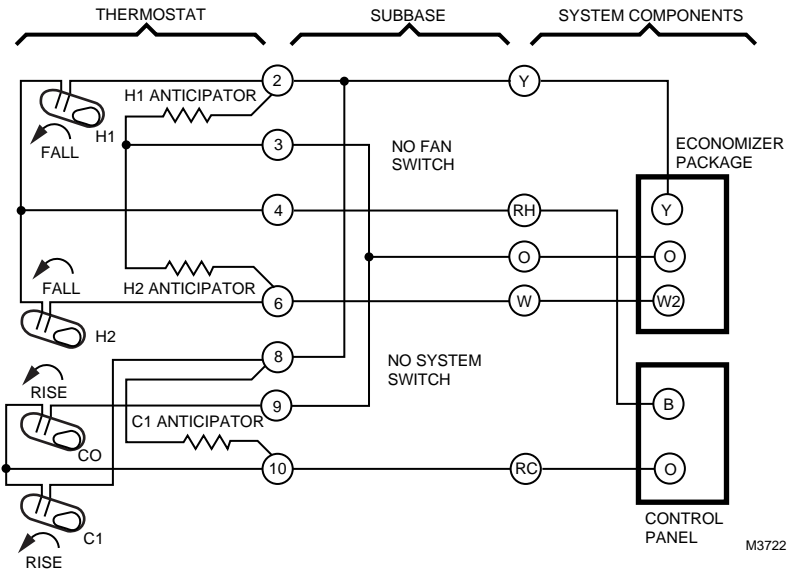


Fig. 58. Schematic and hookup of T874G with Q674D. Used in standard applications.

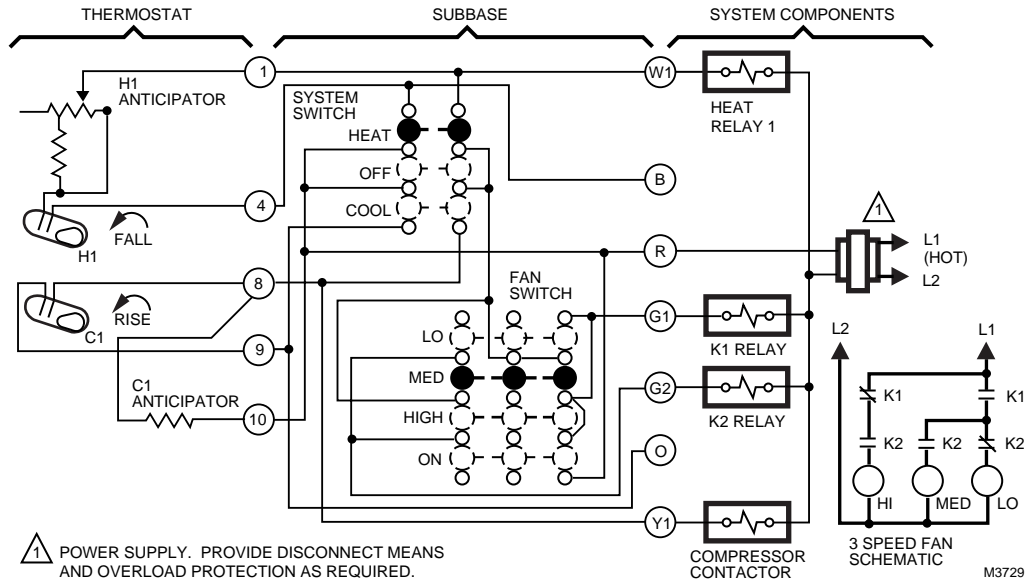


Fig. 59. Schematic and hookup of T874A with Q674Q. Used in fan coil applications.

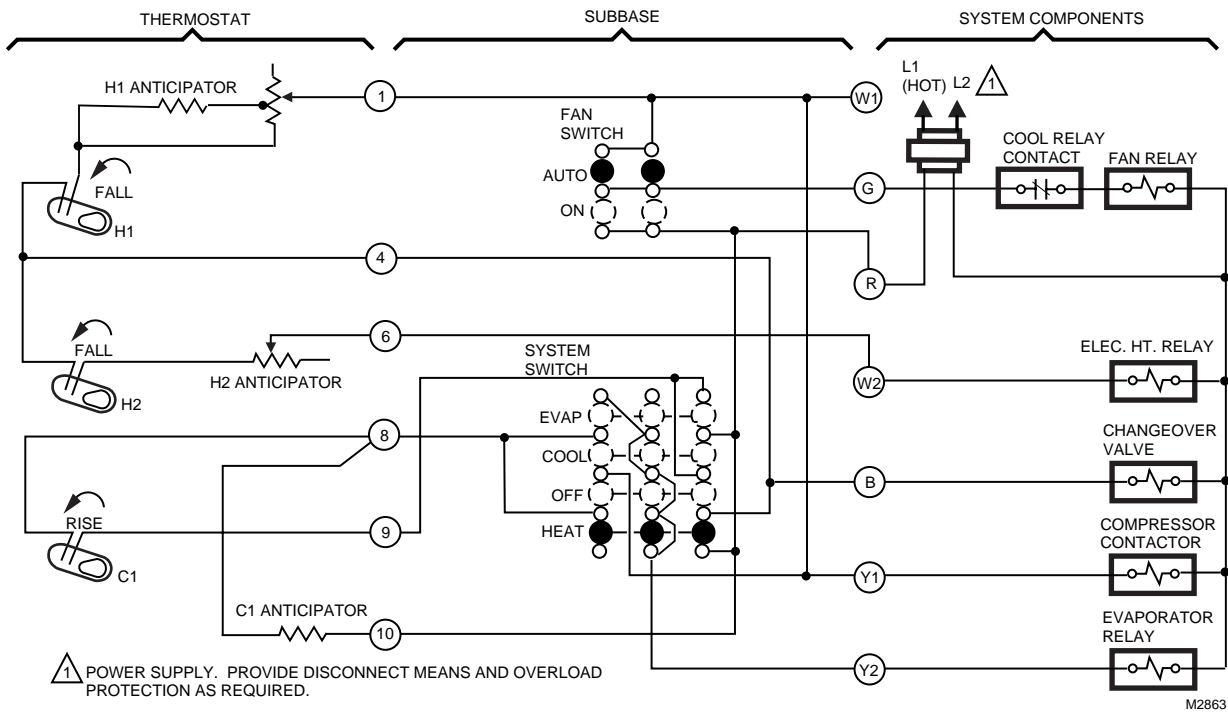


Fig. 60. Schematic and hookup of T874C with Q674N. Used in evaporative cooler applications.



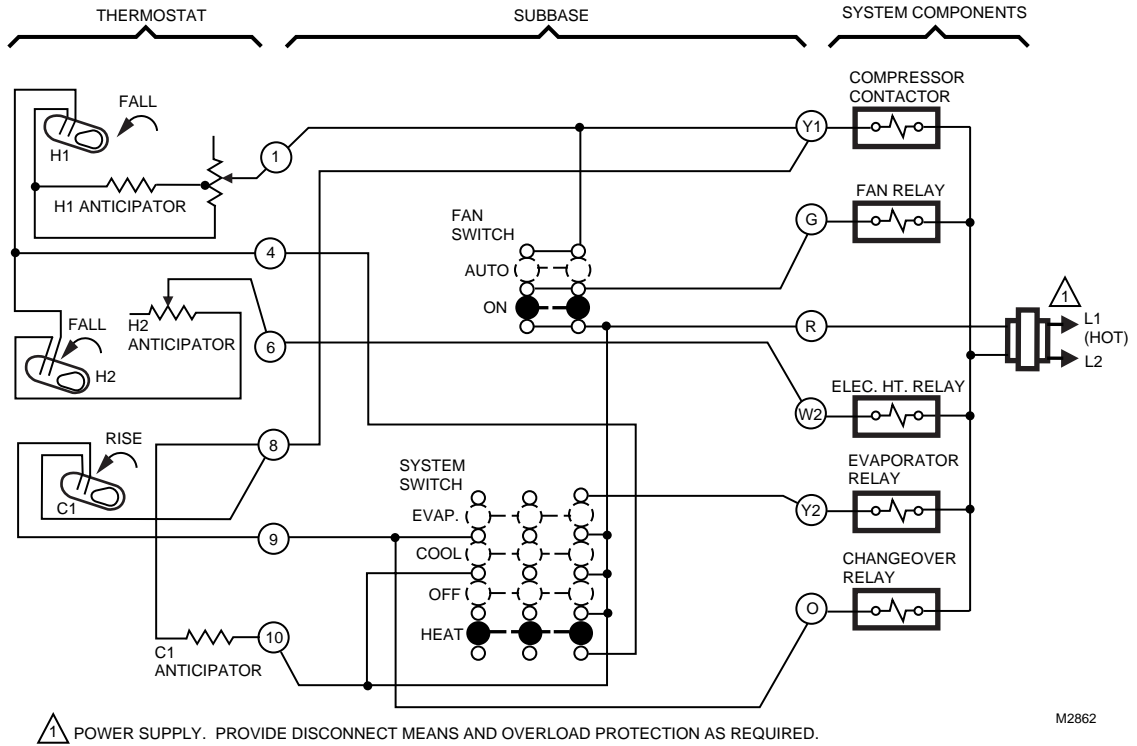


Fig. 61. Schematic and hookup of T874C with Q674N. Used in evaporative cooler applications.

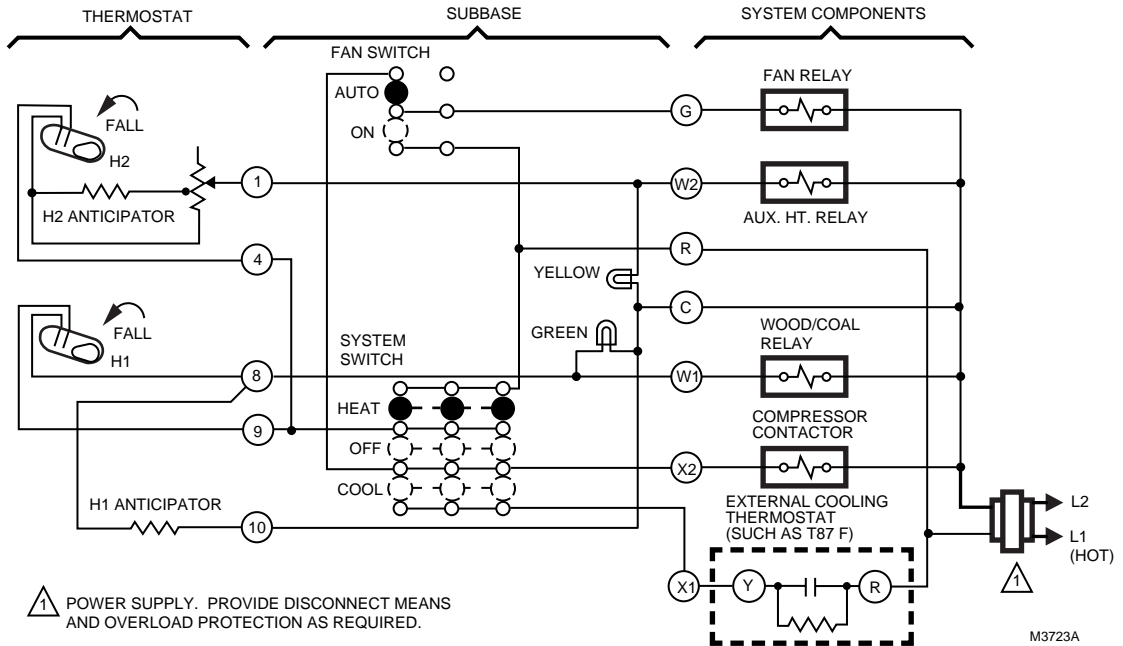


Fig. 62. Schematic and hookup of T874F with Q674B. Used in wood/coal applications.

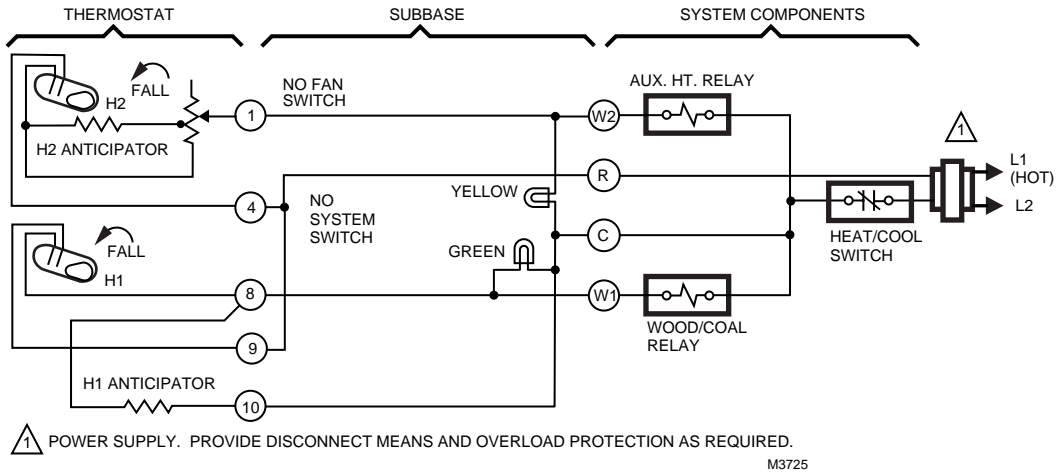


Fig. 63. Schematic and hookup of T874F with Q674D. Used in wood/coal applications.

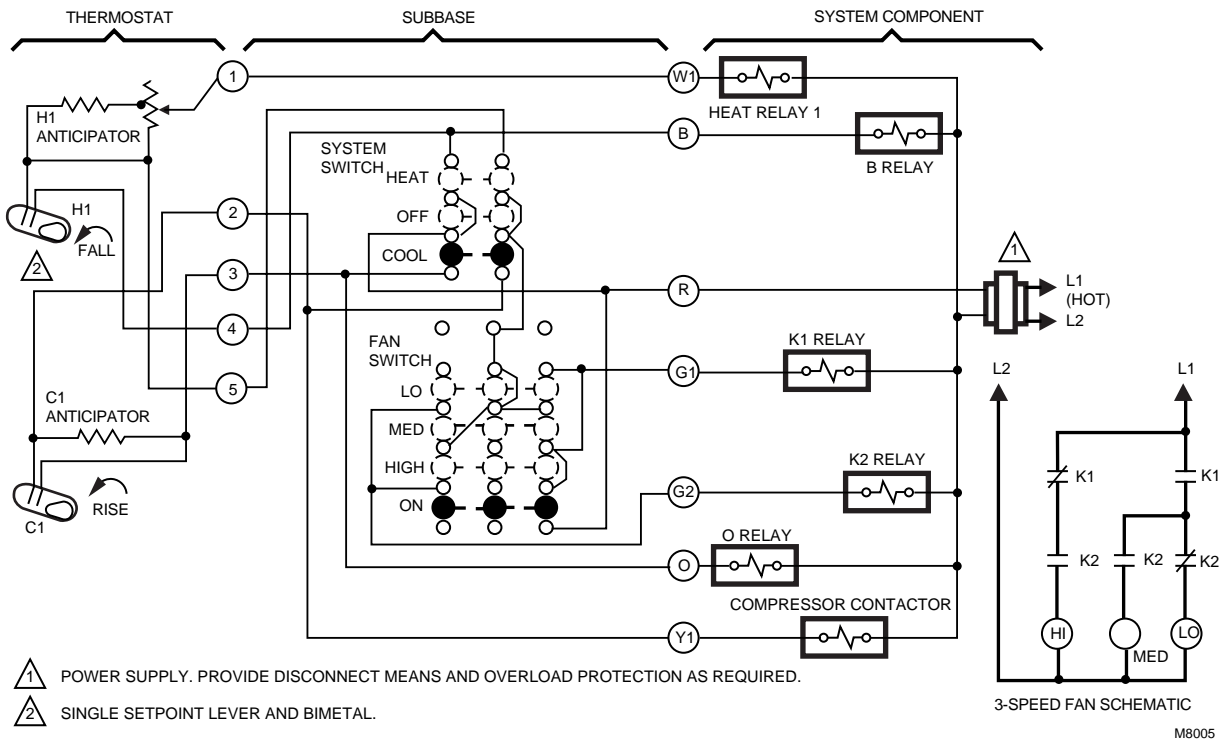


Fig. 64. Schematic and hookup of T874A with Q674Q. Used in fan coil applications.

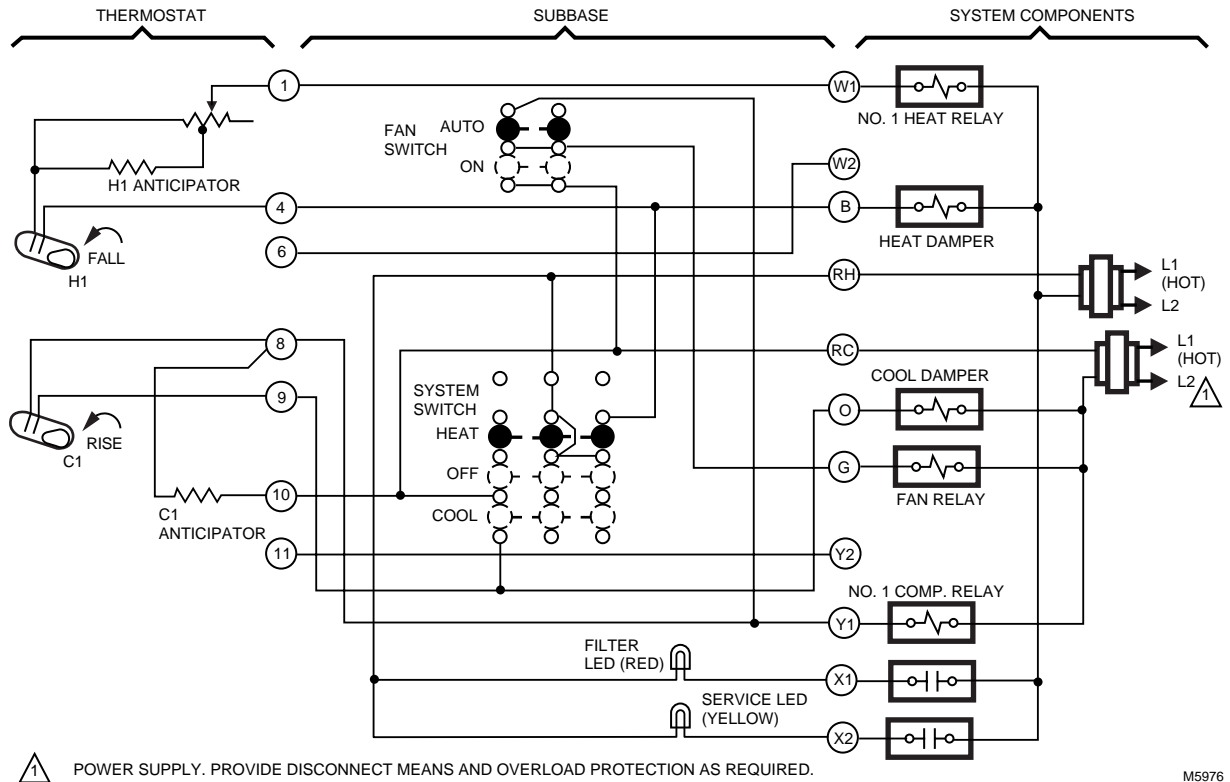


Fig. 65. Schematic and hookup of T874A with Q674B. Used in standard applications.

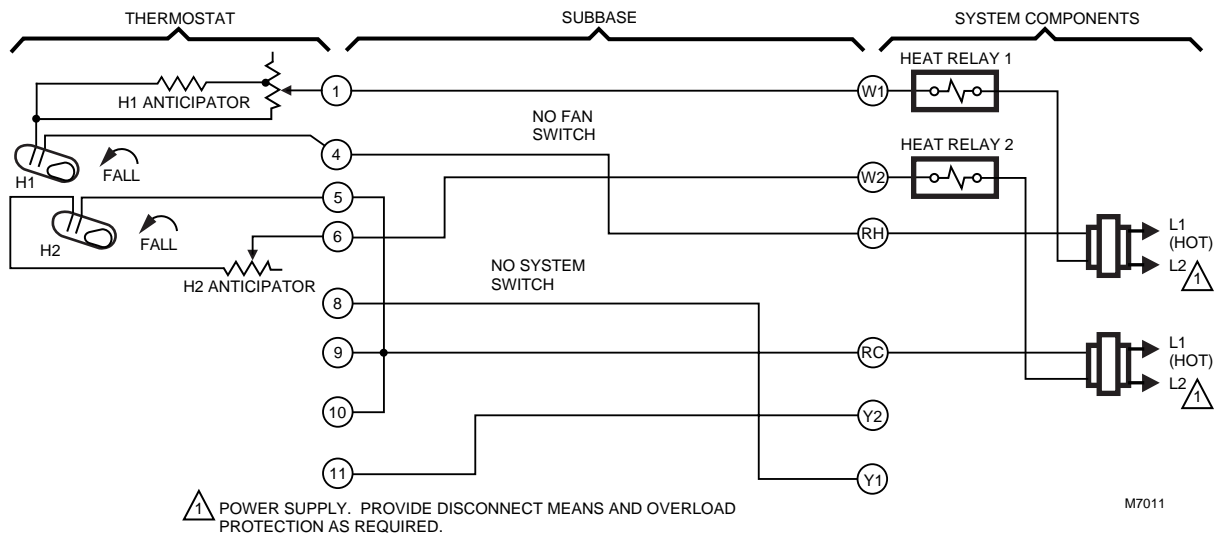


Fig. 66. Schematic and hookup of T874A,D,F with Q674D. Used in standard applications.

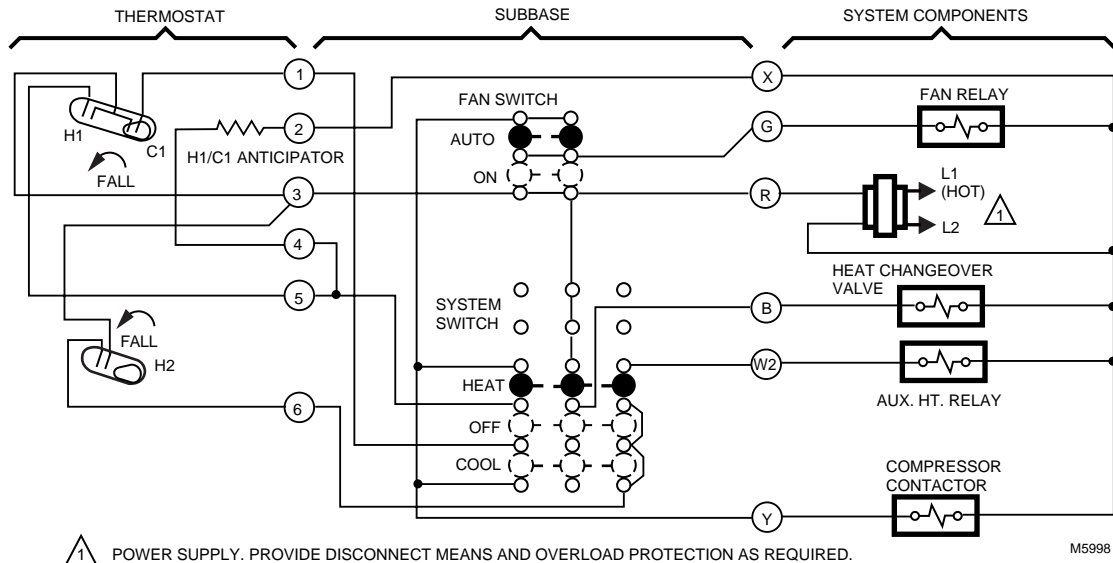


Fig. 67. Schematic and hookup of T874R with Q674B. Used in heat pump applications.

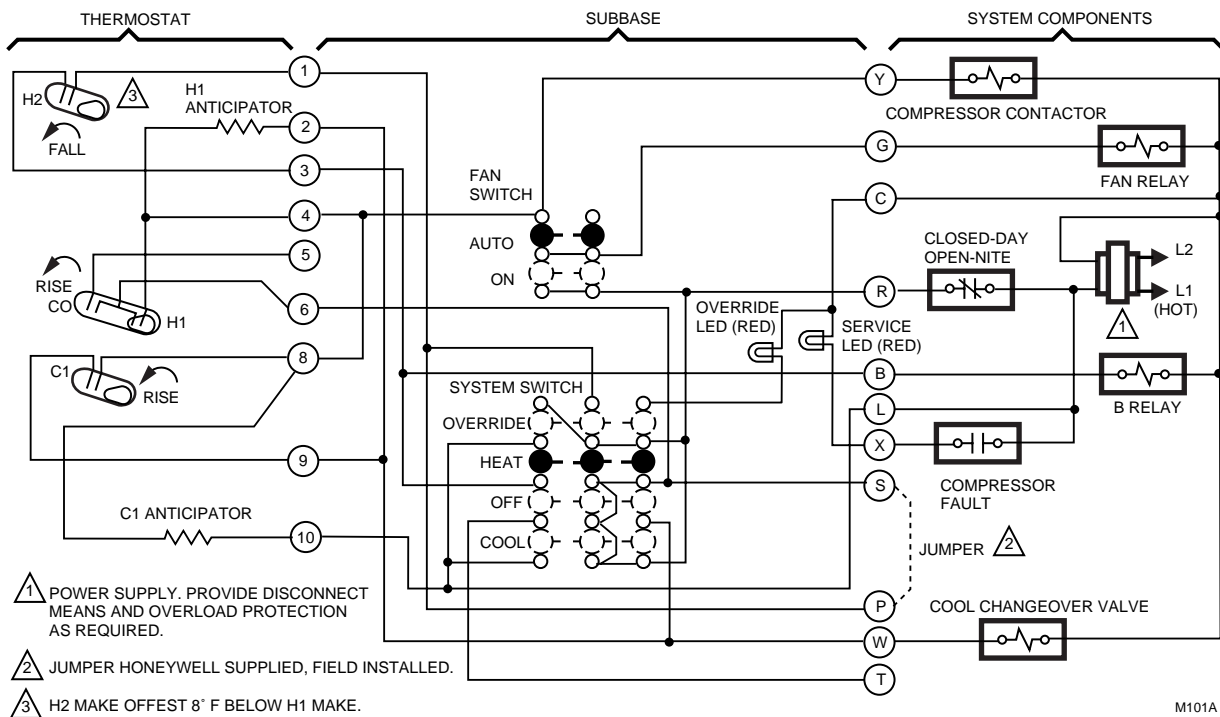


Fig. 68. Schematic and hookup of T874P with Q674B. Used in heat pump applications.

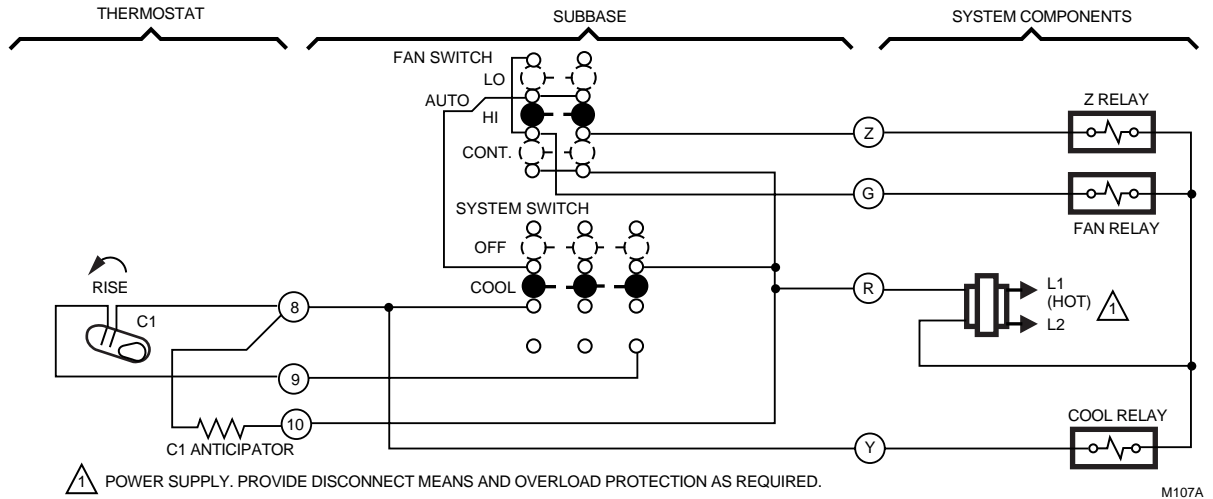


Fig. 69. Schematic and hookup of T874V with Q674R. Used in fan coil applications.

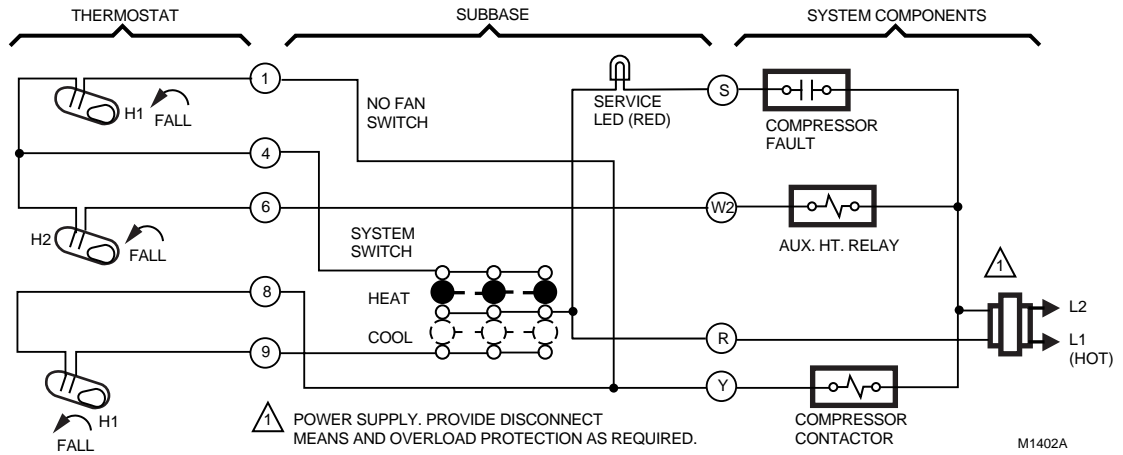


Fig. 70. Schematic and hookup of T874C with Q674S. Used in heat pump applications.

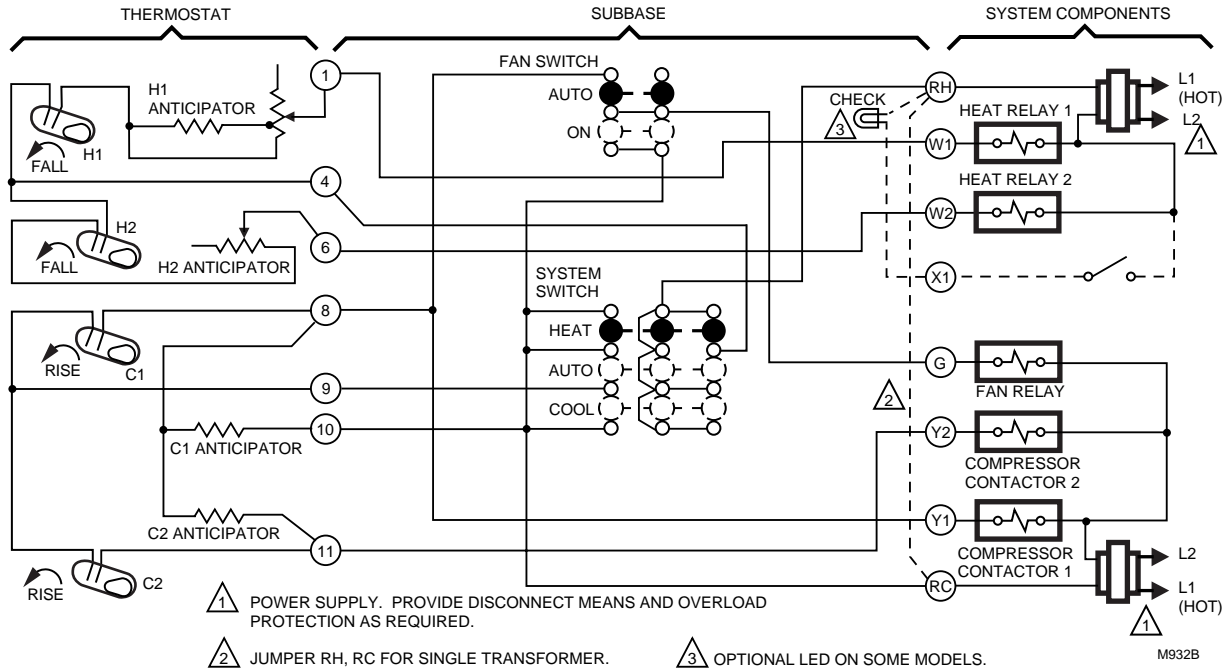


Fig. 71. Schematic and hookup of T874A-D with Q674A. Used in standard applications.

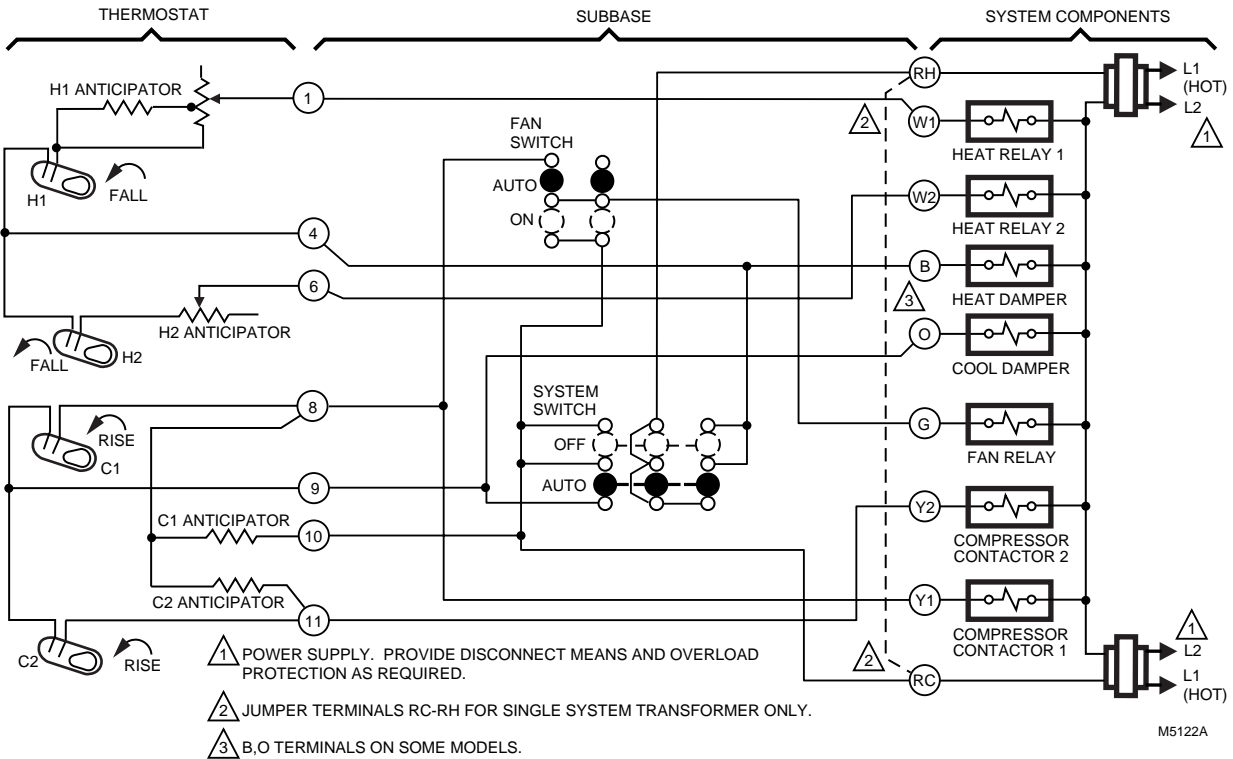


Fig. 72. Schematic and hookup of T874D,E,F with Q674C. Used in standard applications.

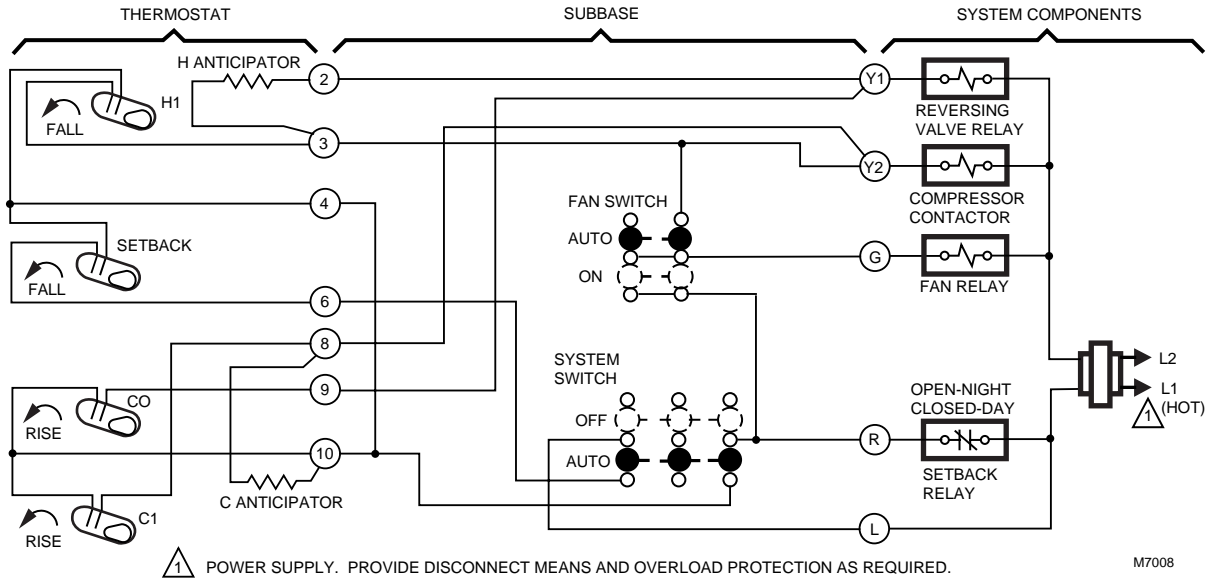


Fig. 73. Schematic and hookup of T874G with Q674C. Used in heat pump applications.

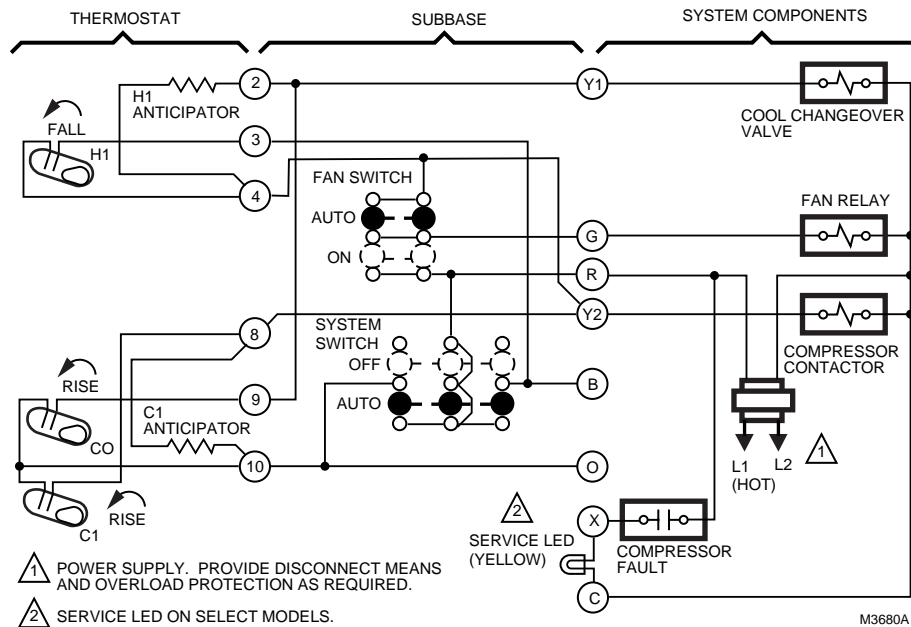


Fig. 74. Schematic and hookup of T874H with Q674C. Used in heat pump applications.

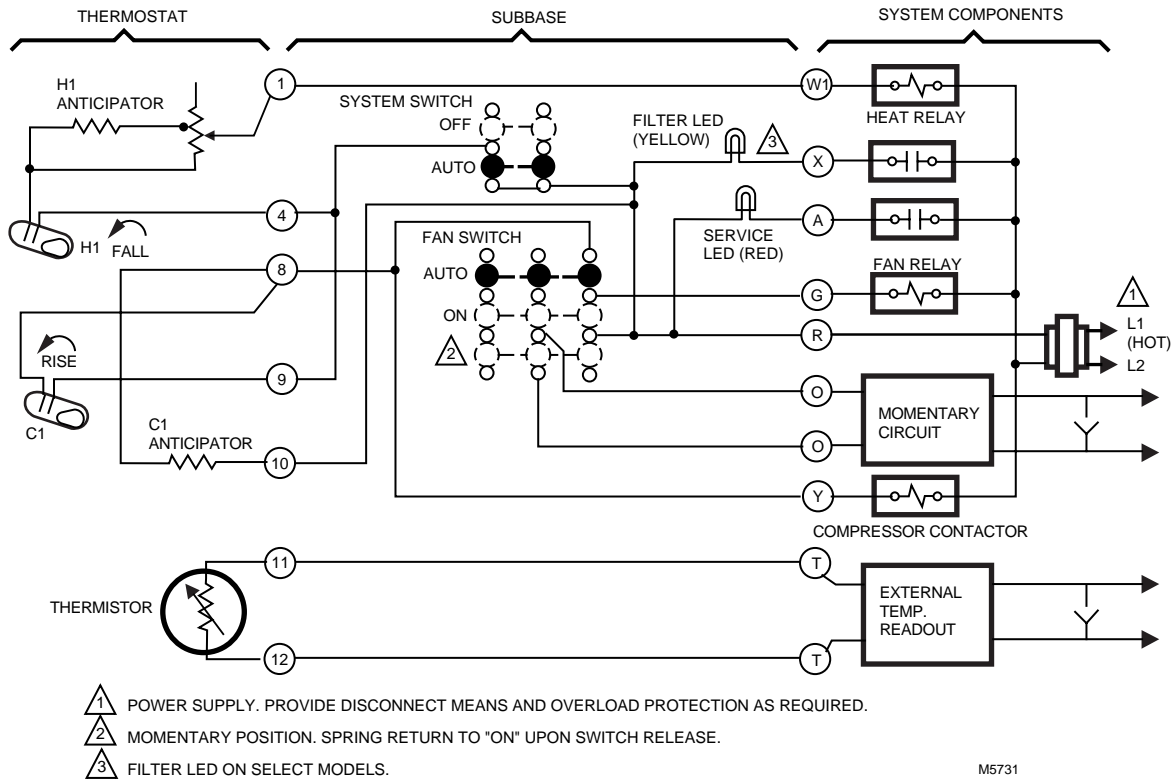


Fig. 75. Schematic and hookup of T874A with Q674C. Used in standard applications.

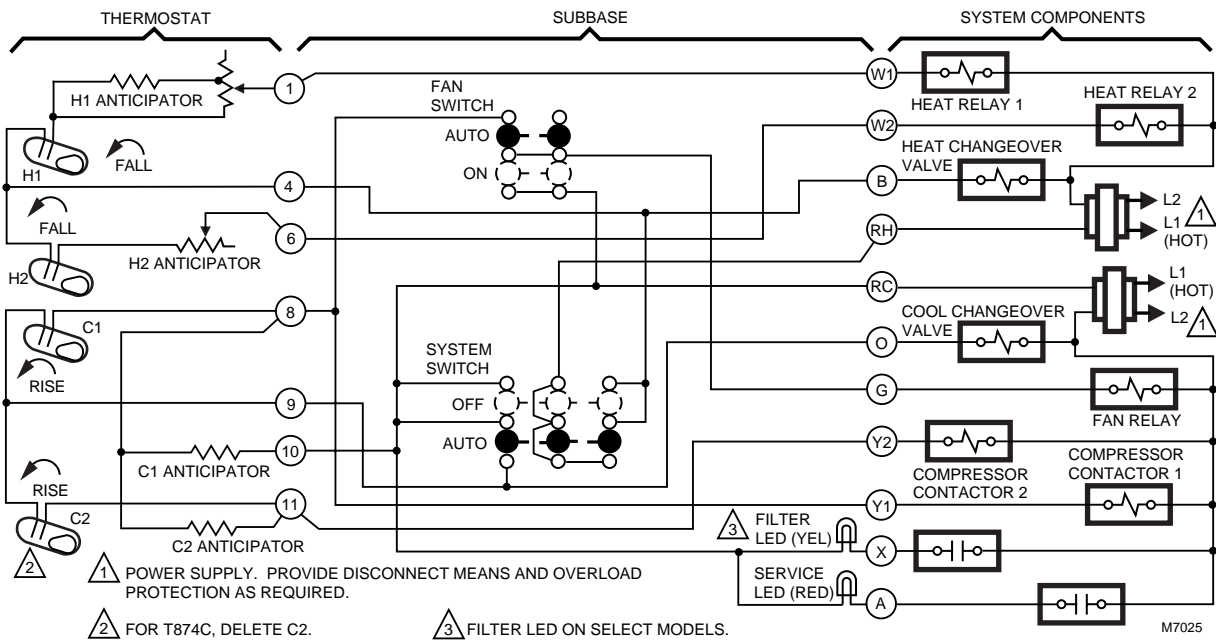


Fig. 76. Schematic and hookup of T874A-D with Q674C. Used in standard applications.



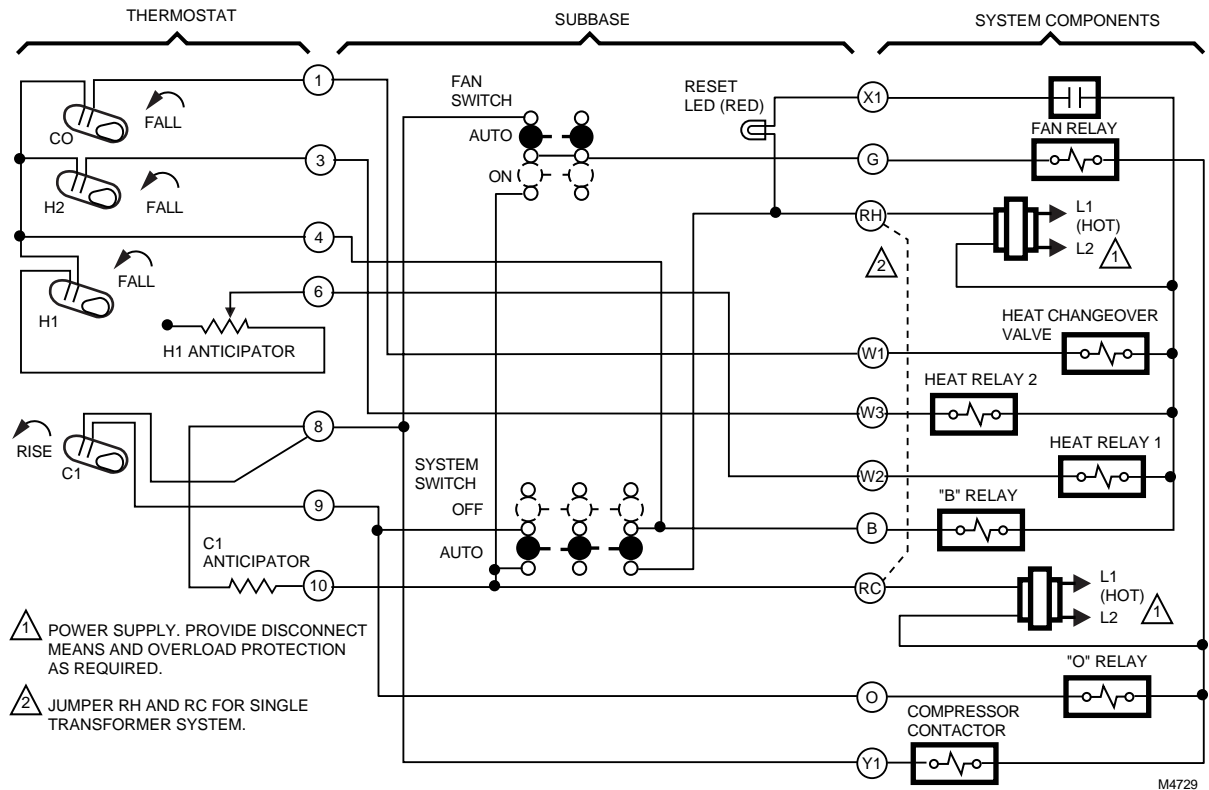


Fig. 77. Schematic and hookup of T874K with Q674C. Used in heat pump applications.

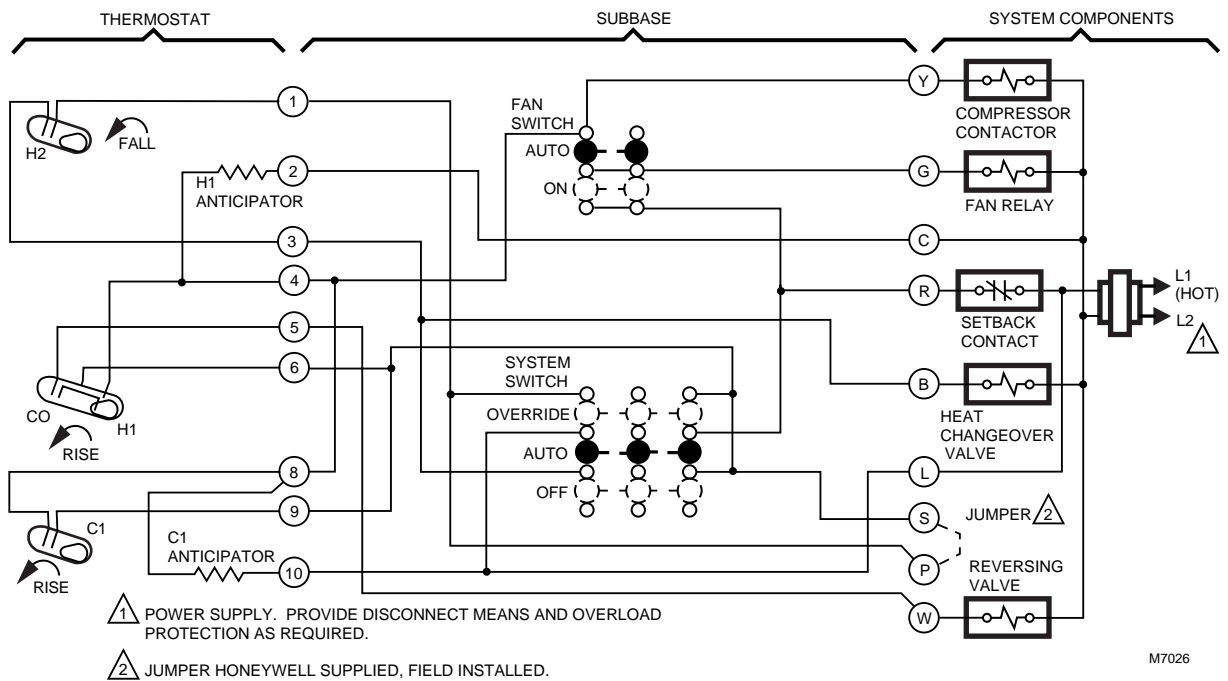


Fig. 78. Schematic and hookup of T874P with Q674C. Used in heat pump applications.

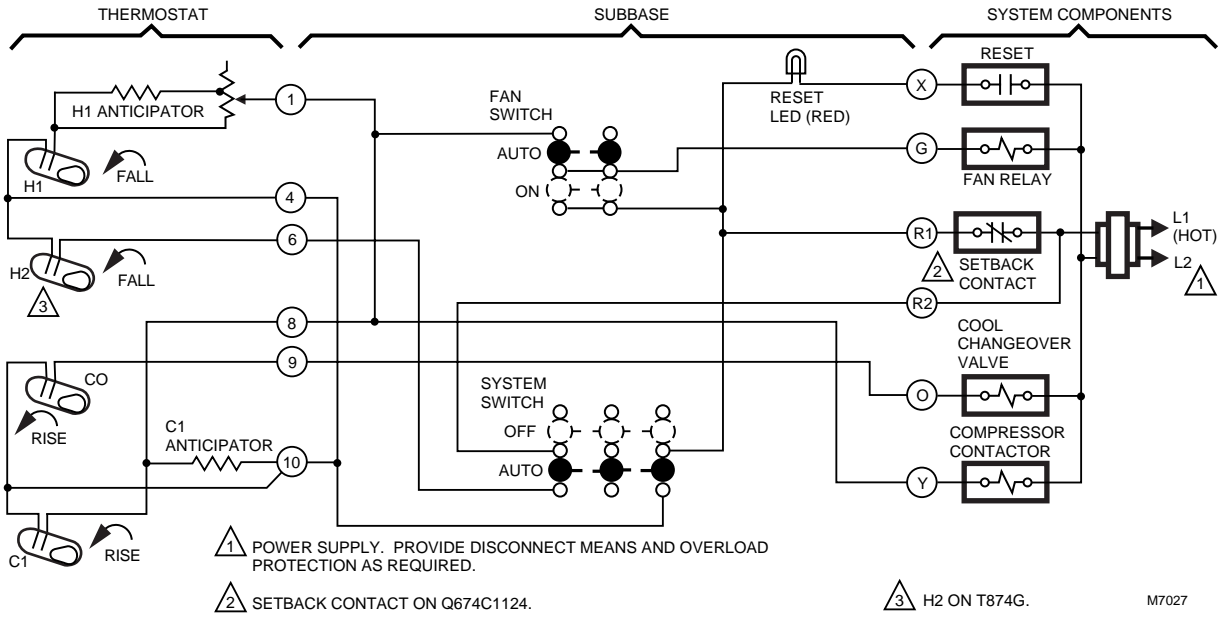


Fig. 79. Schematic and hookup of T874G,H with Q674C. Used in standard applications.

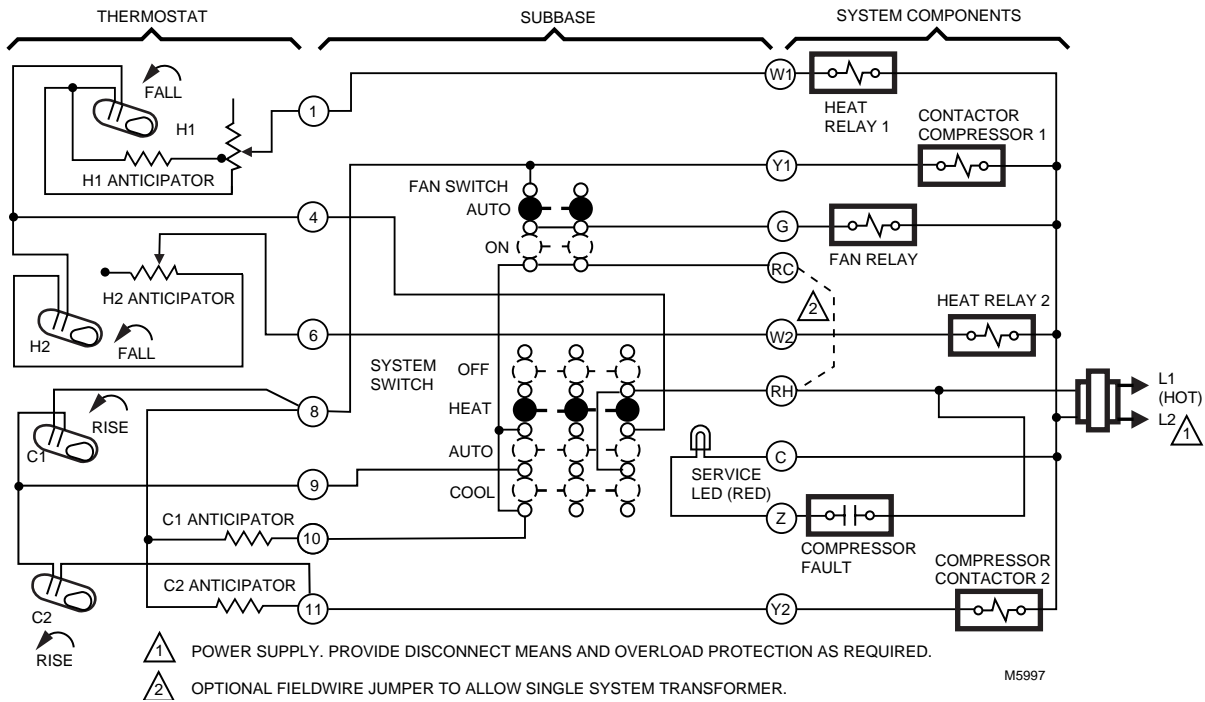


Fig. 80. Schematic and hookup of T874D with Q674E. Used in standard applications.

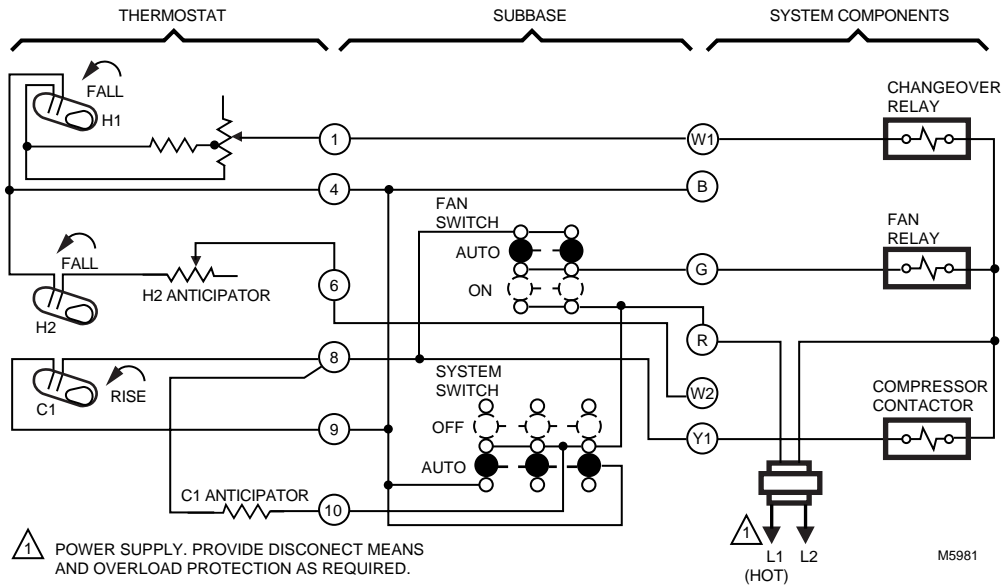


Fig. 81. Schematic and hookup of T874C with Q674C. Used in heat pump applications.

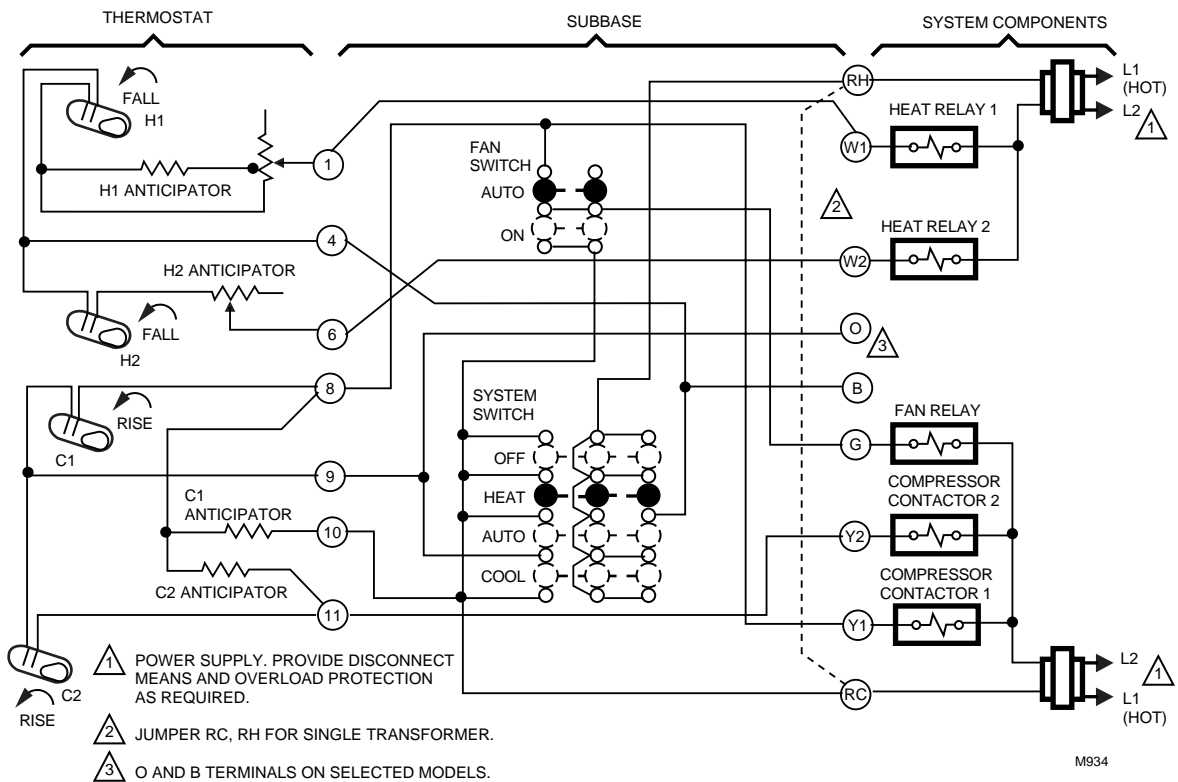


Fig. 82. Schematic and hookup of T874A,C,D with Q674E. Used in standard applications.

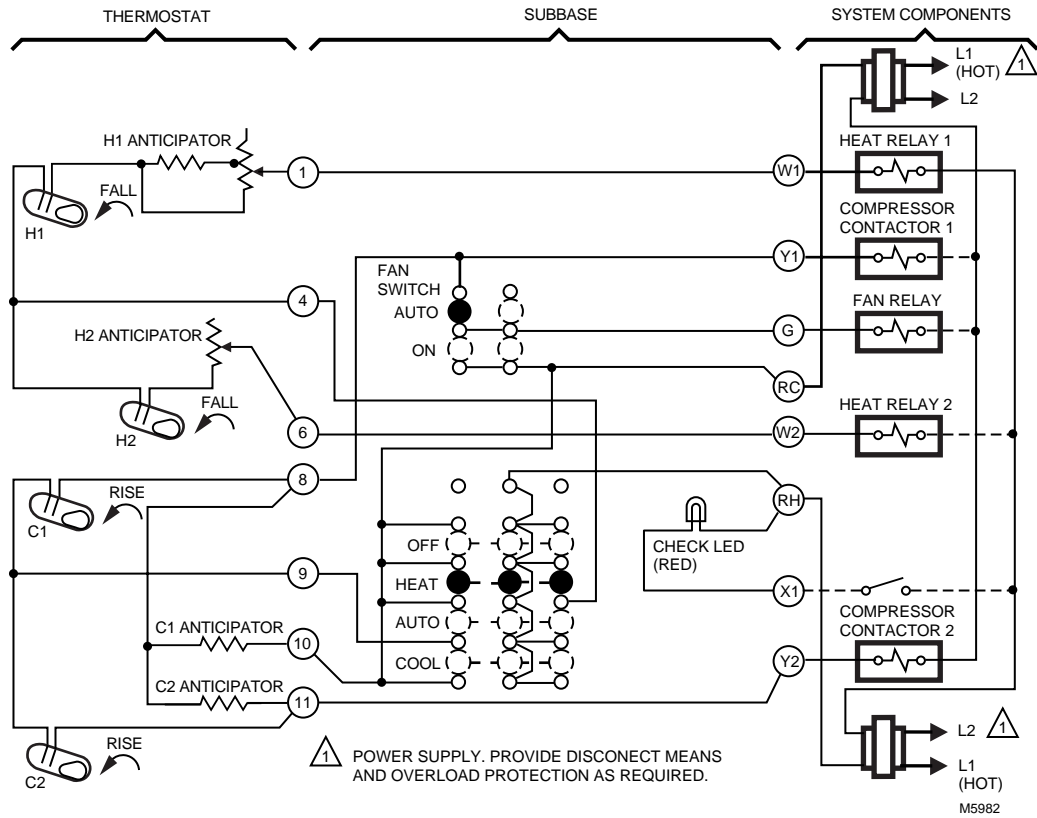


Fig. 83. Schematic and hookup of T874G with Q674C. Used in standard applications.

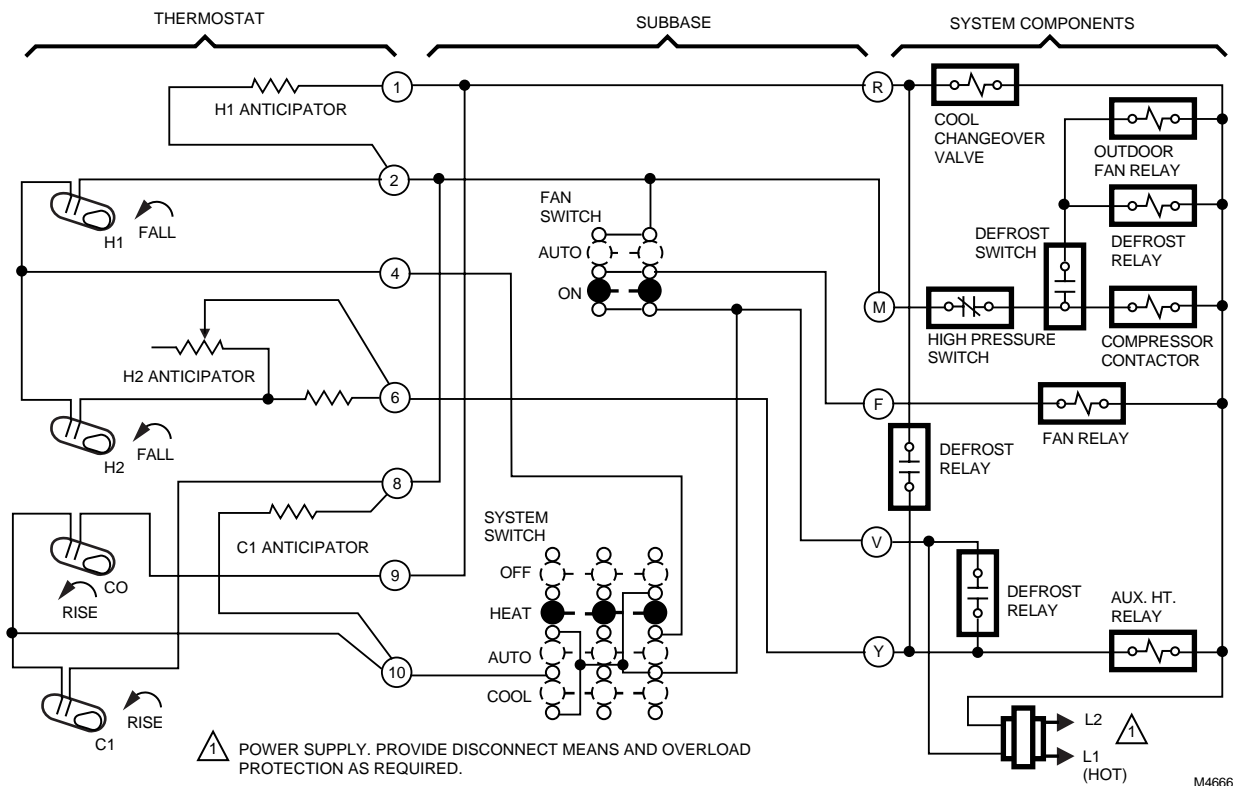


Fig. 84. Schematic and hookup of T874G with Q674E. Used in heat pump applications.

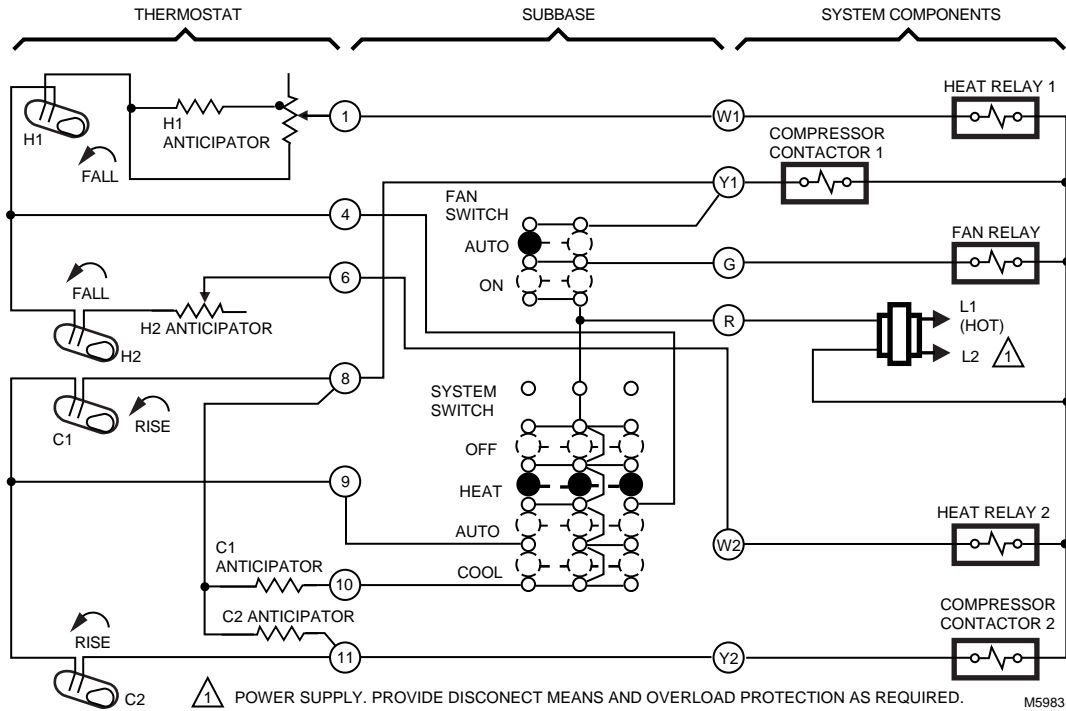


Fig. 85. Schematic and hookup of T874A-D with Q674E. Used in standard applications.

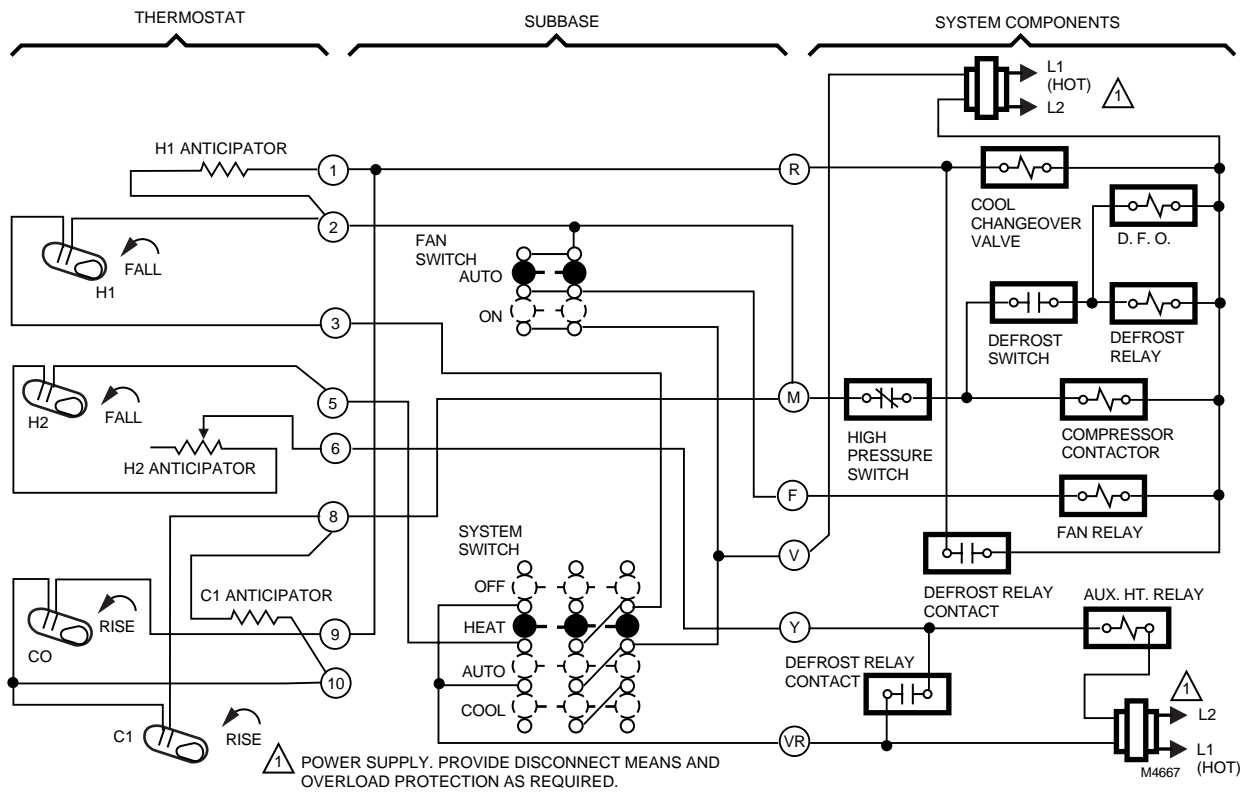


Fig. 86. Schematic and hookup of T874G with Q674E. Used in heat pump applications.

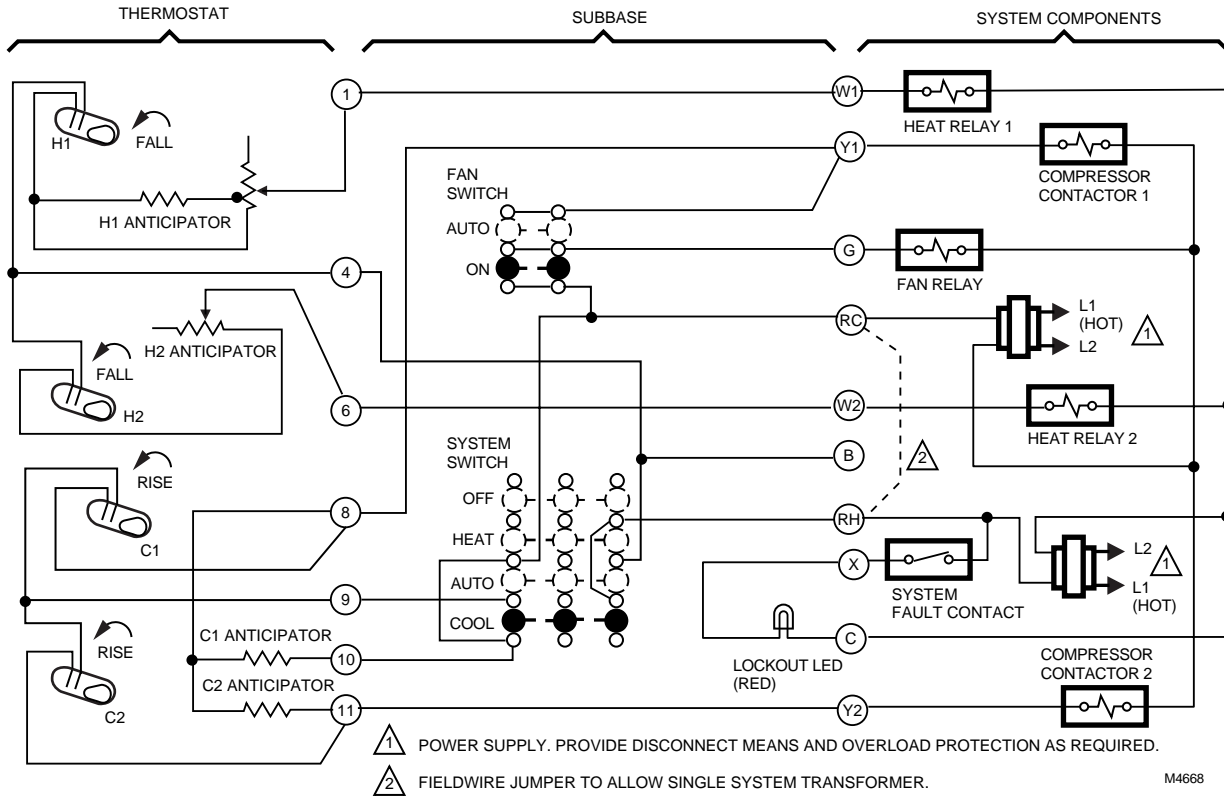


Fig. 87. Schematic and hookup of T874D with Q674E. Used in standard applications.

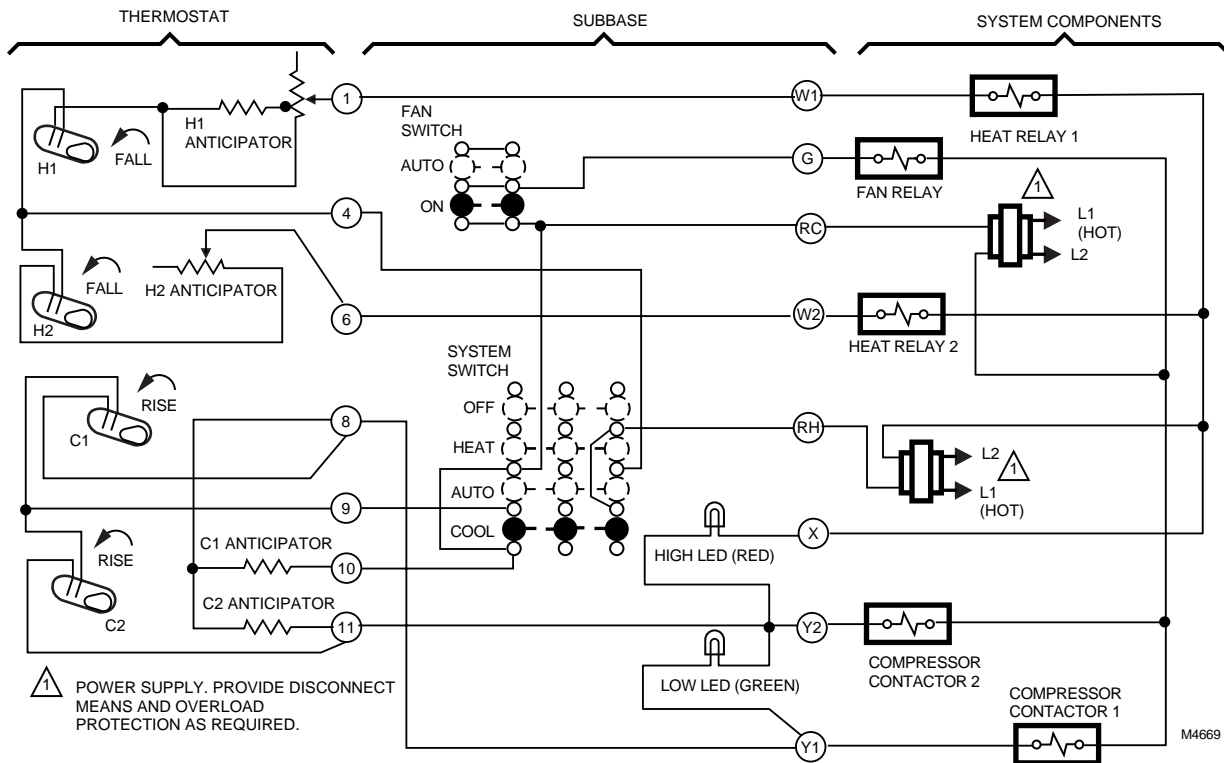


Fig. 88. Schematic and hookup of T874B,D with Q674E. Used in standard applications.

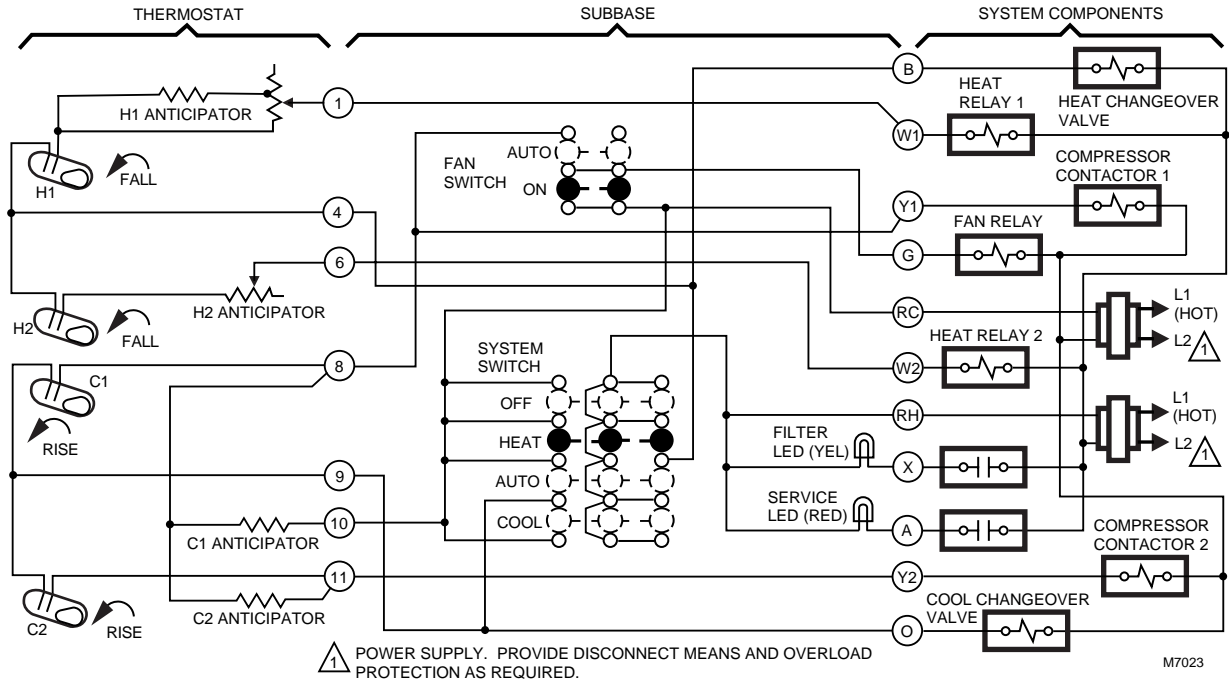


Fig. 89. Schematic and hookup of T874D with Q674E. Used in standard applications.

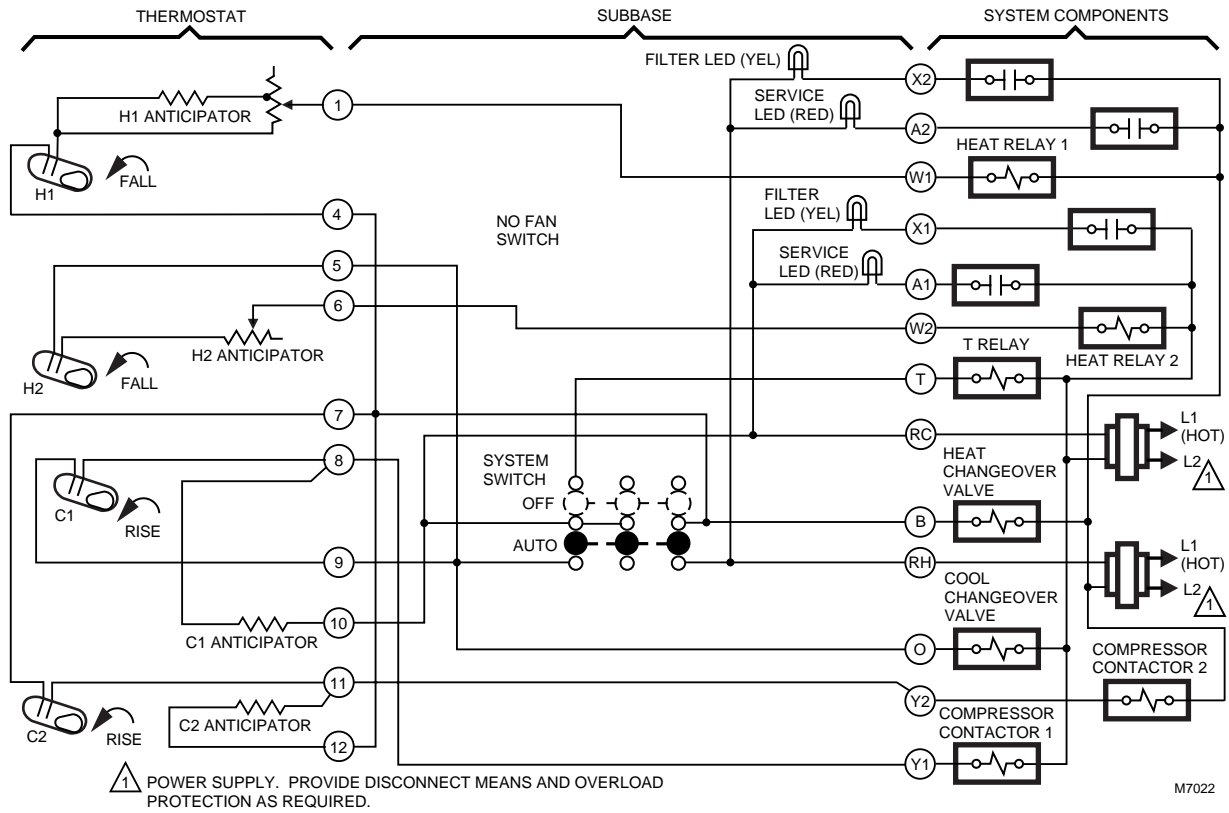


Fig. 90. Schematic and hookup of T874D with Q674G. Used in standard applications.

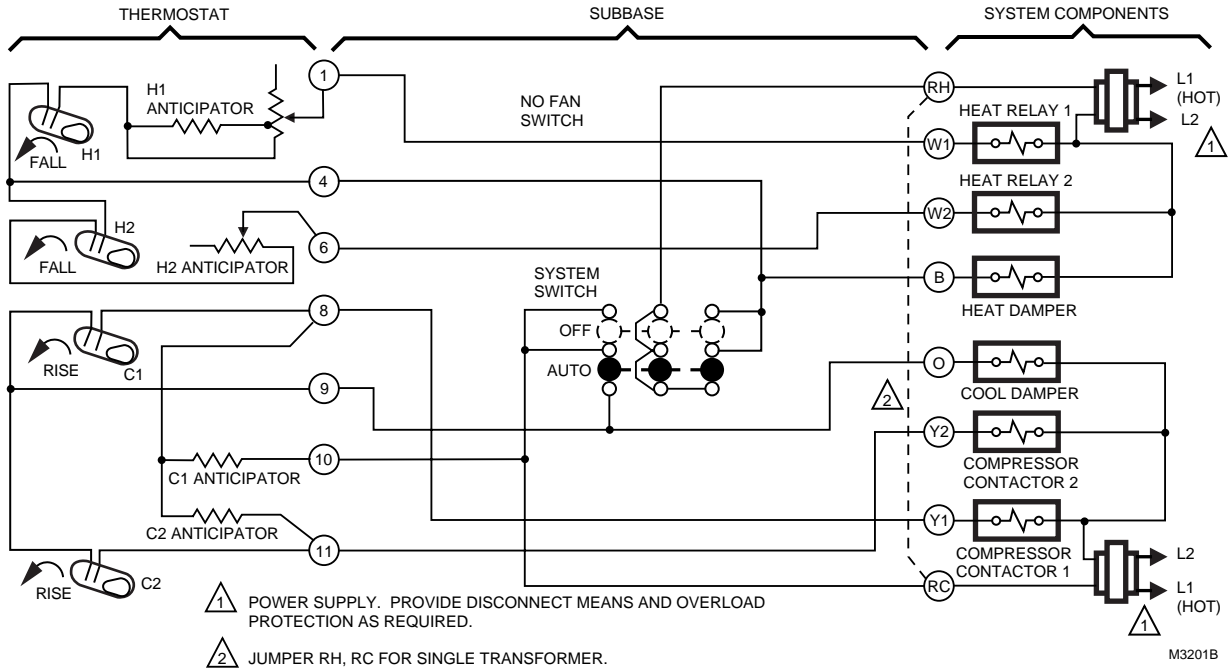


Fig. 91. Schematic and hookup of T874A-F,Q with Q674G. Used in standard applications.

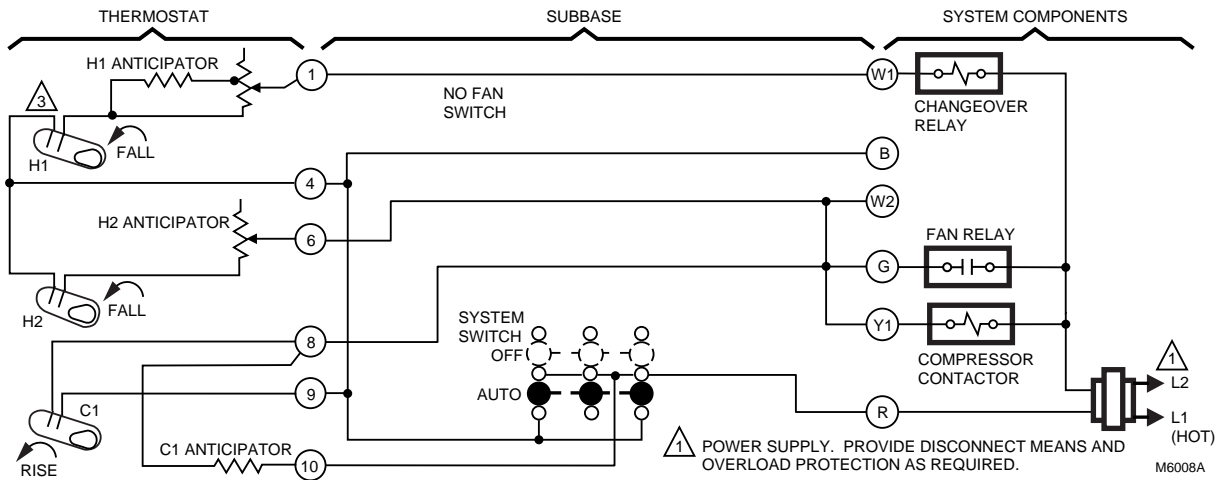


Fig. 92. Schematic and hookup of T874C with Q674G. Used in heat pump applications.



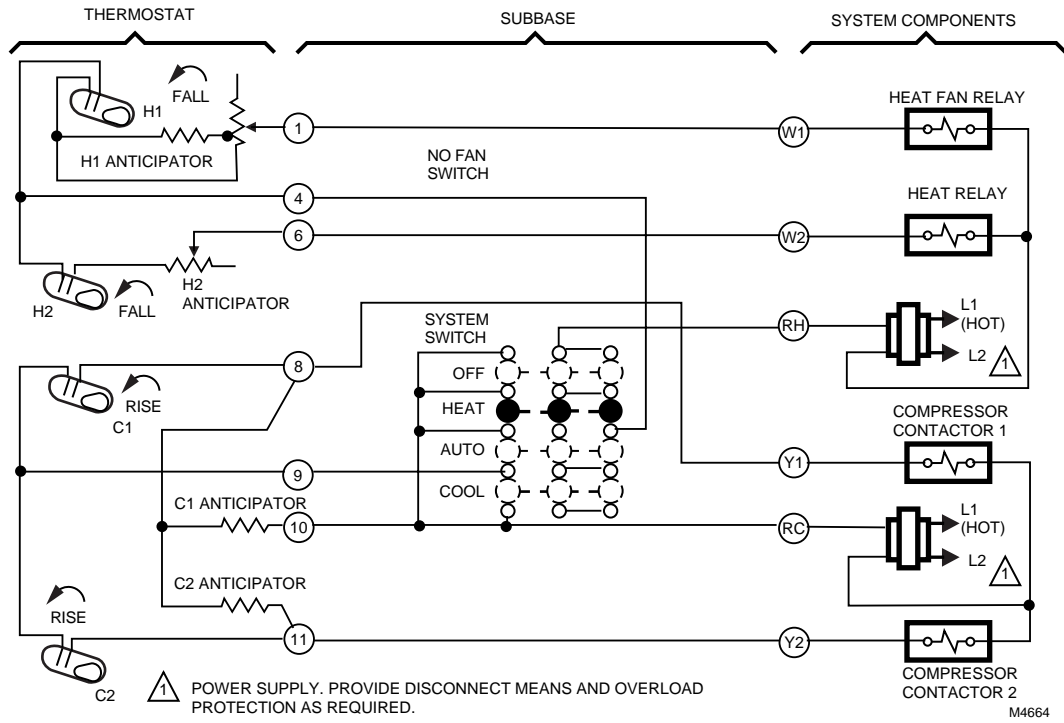


Fig. 93. Schematic and hookup of T874D with Q674K. Used in standard applications.

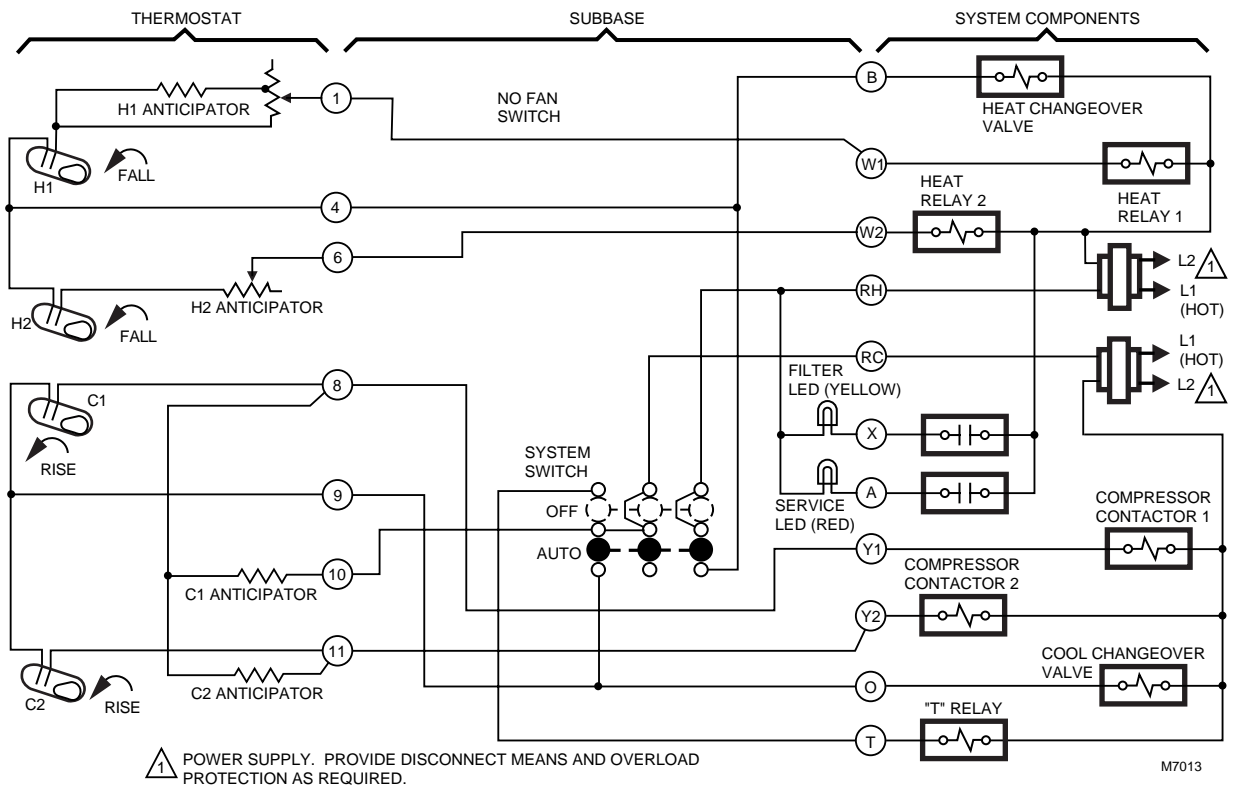


Fig. 94. Schematic and hookup of T874D with Q674G. Used in standard applications.

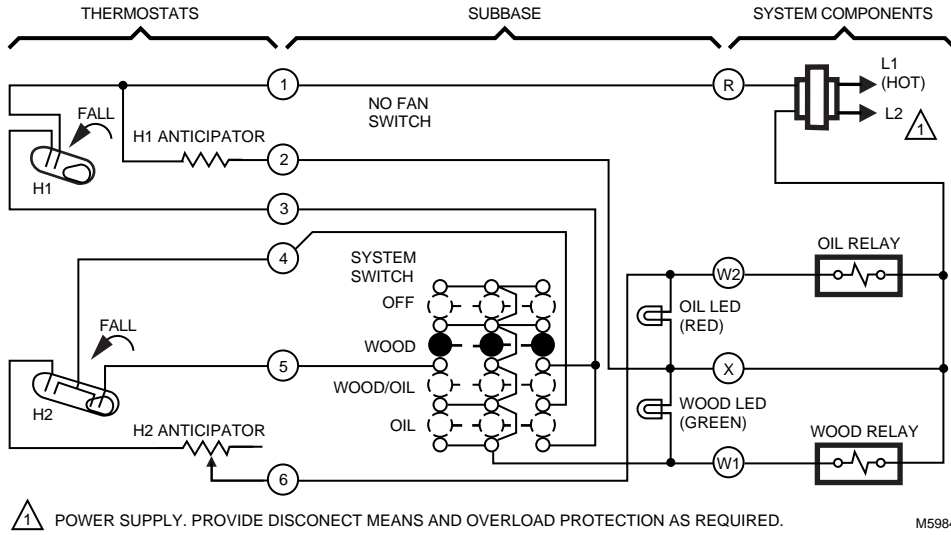


Fig. 95. Schematic and hookup of T874F with Q674K. Used in wood/oil applications.

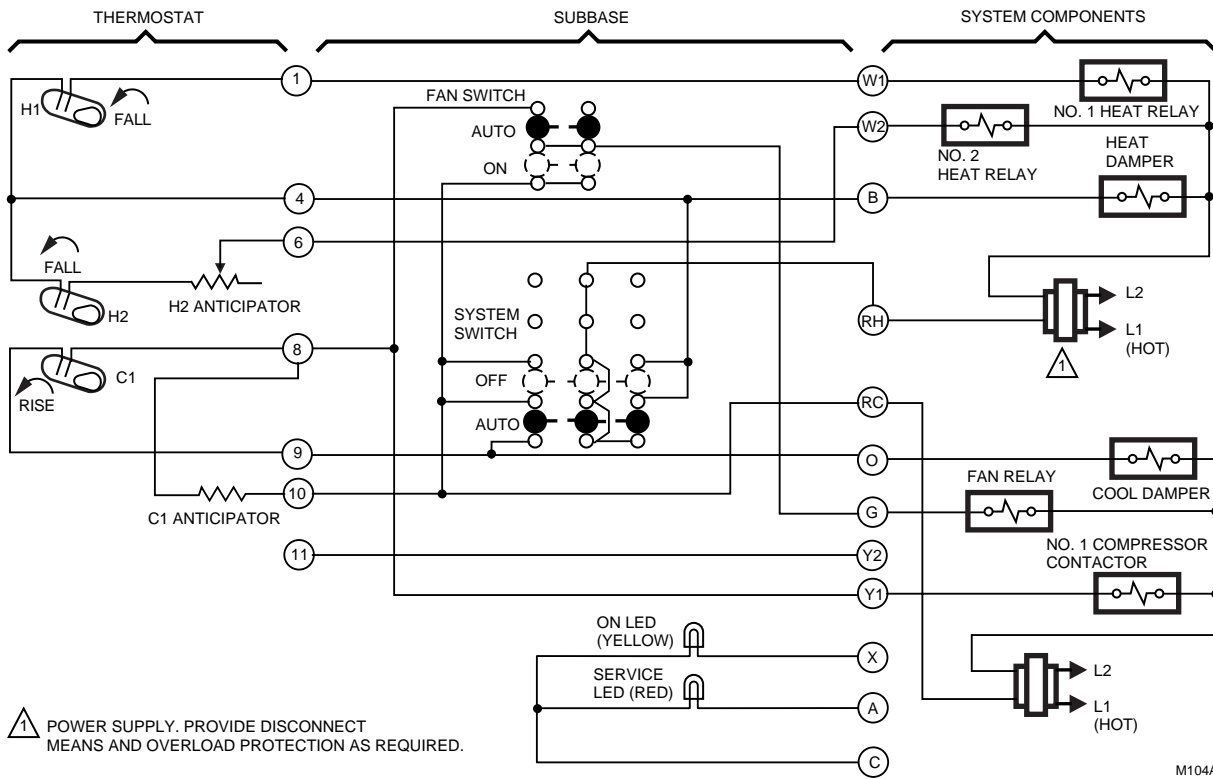


Fig. 96. Schematic and hookup of T874C with Q674C. Used in standard applications.

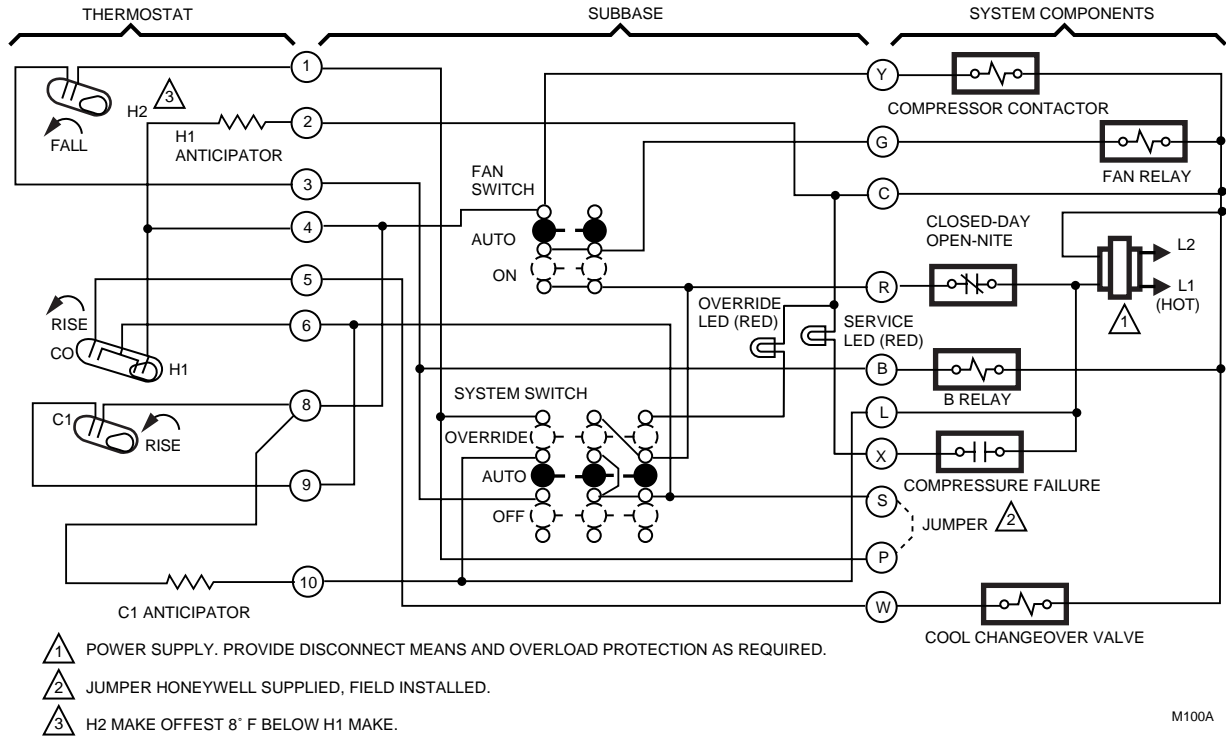


Fig. 97. Schematic and hookup of T874P with Q674C. Used in heat pump applications.

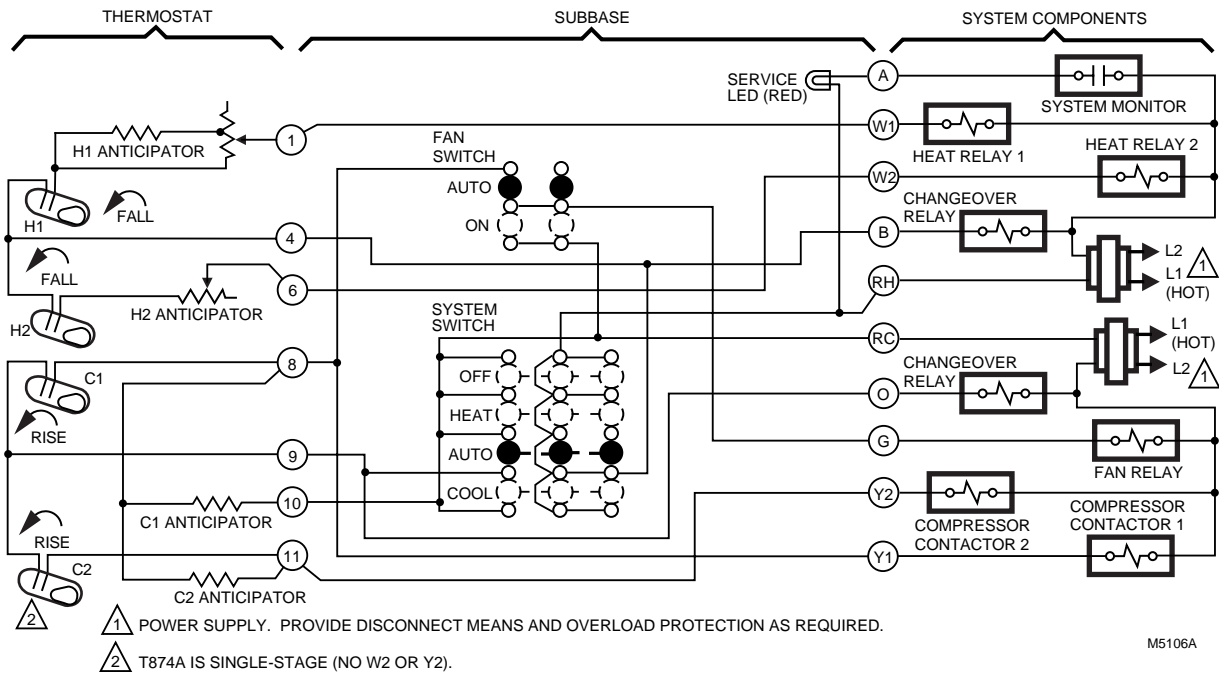


Fig. 98. Schematic and hookup of T874D with Q674E. Used in standard applications.

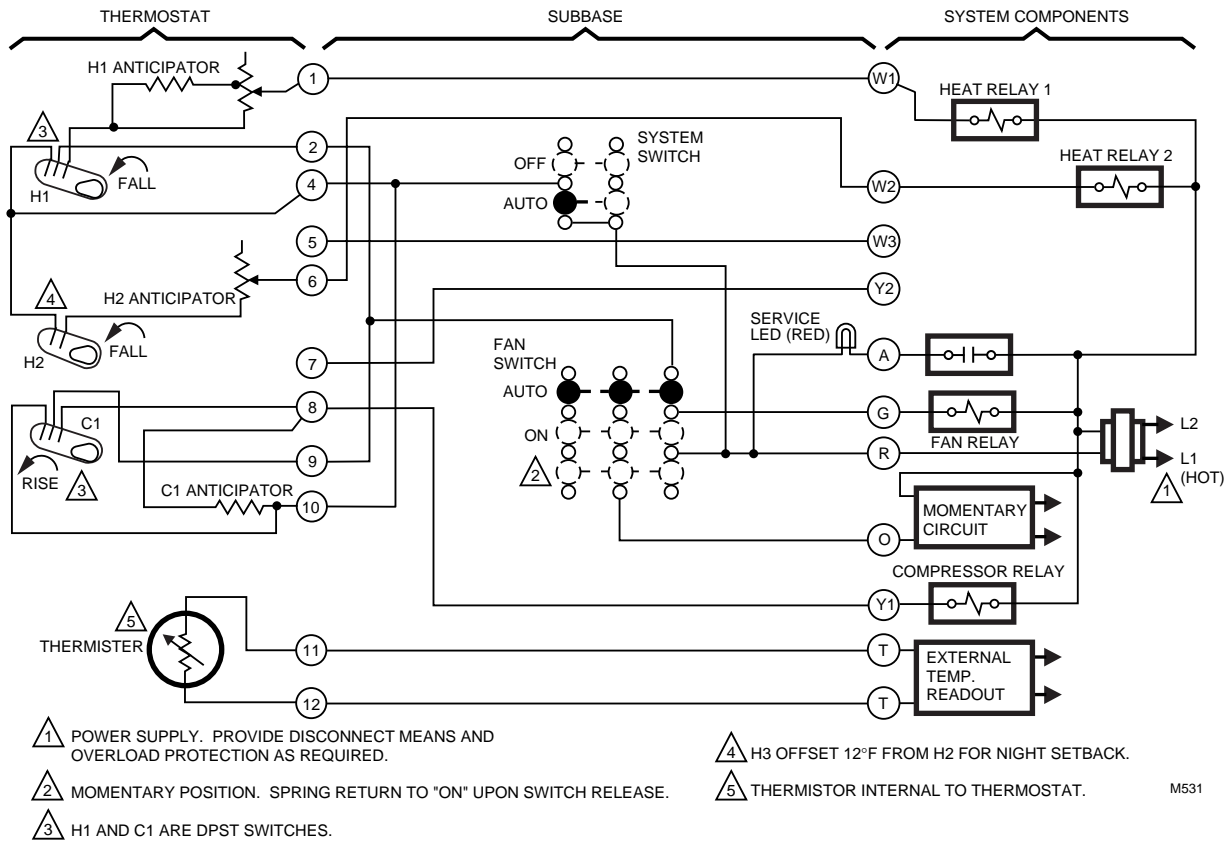


Fig. 99. Schematic and hookup of T874C with Q674C. Used in standard applications.

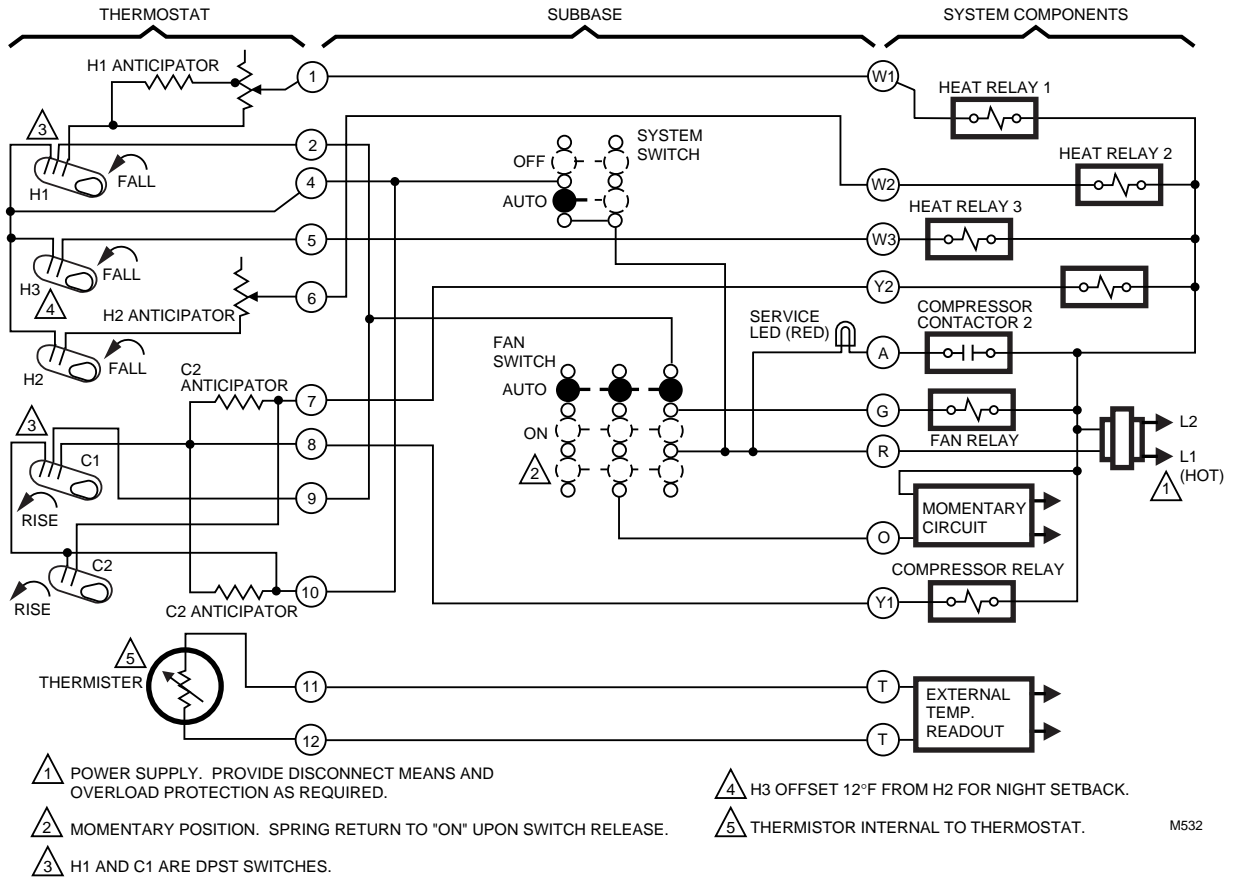


Fig. 100. Schematic and hookup of T874W with Q674C. Used in standard applications.

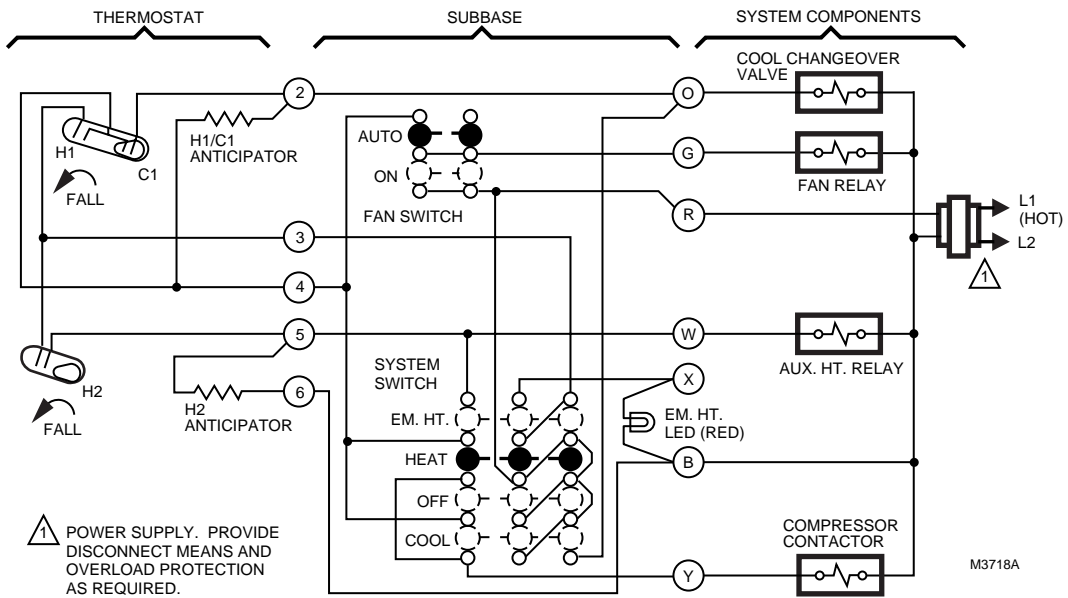


Fig. 101. Schematic and hookup of T874R with Q674L. Used in heat pump applications.

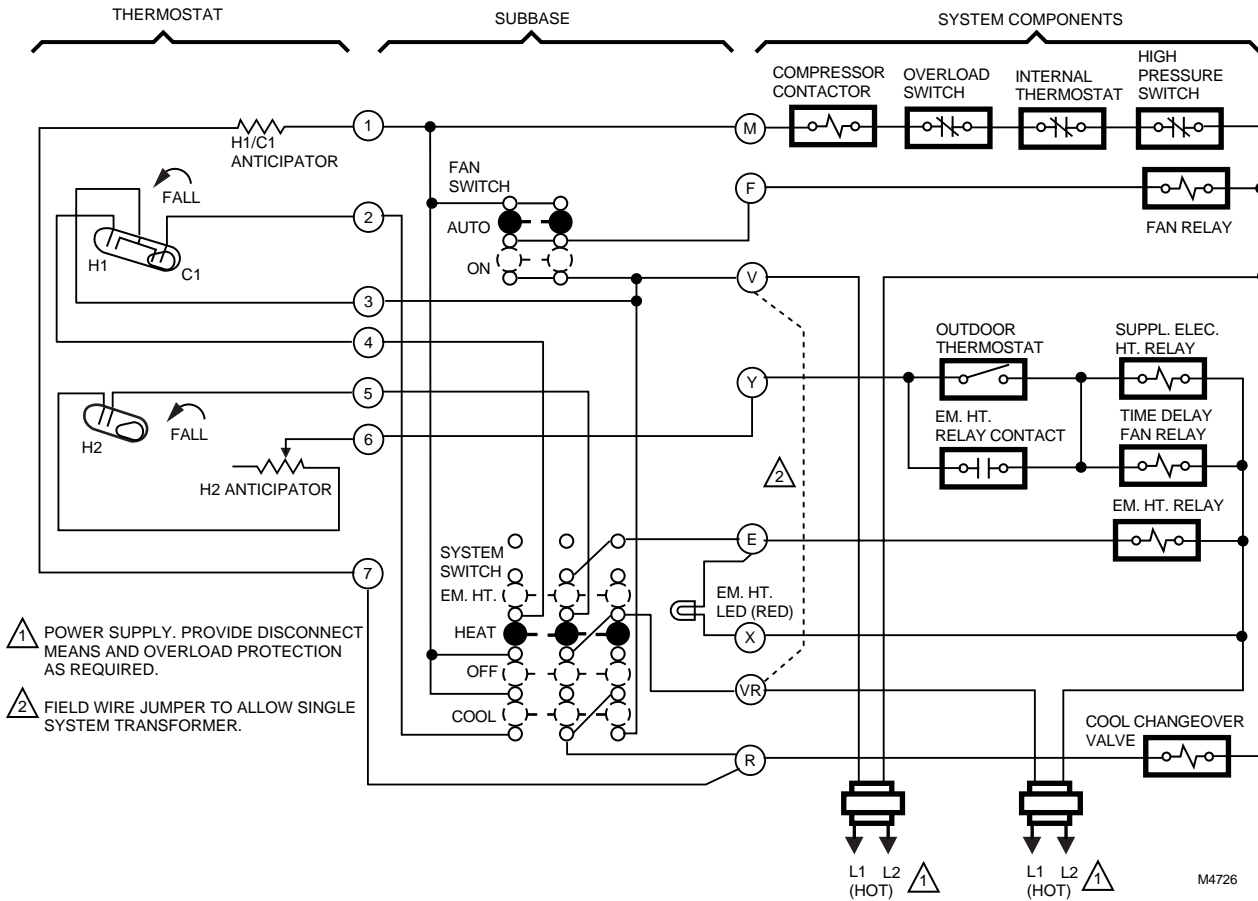


Fig. 102. Schematic and hookup of T874J,R with Q674L. Used in heat pump applications.

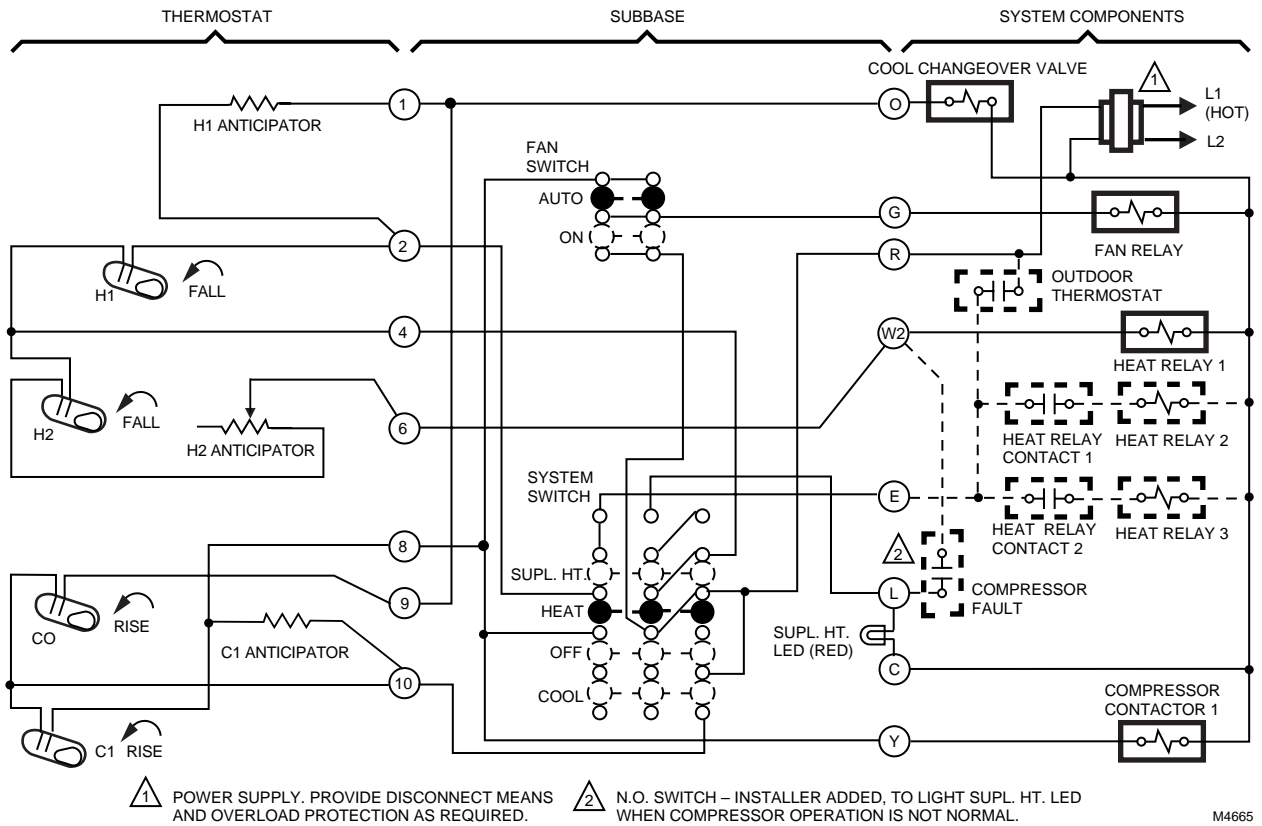


Fig. 103. Schematic and hookup of T874G with Q674L. Used in heat pump applications.

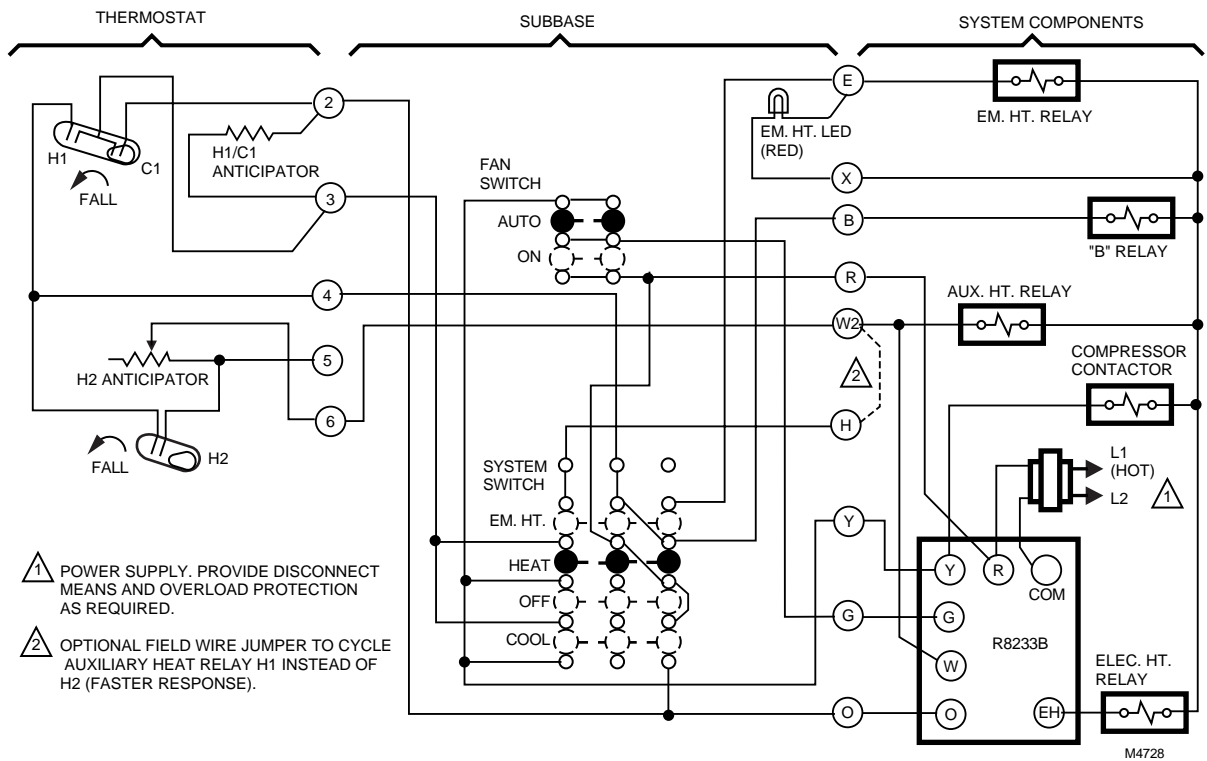


Fig. 104. Schematic and hookup of T874R with Q674L. Used in heat pump applications.

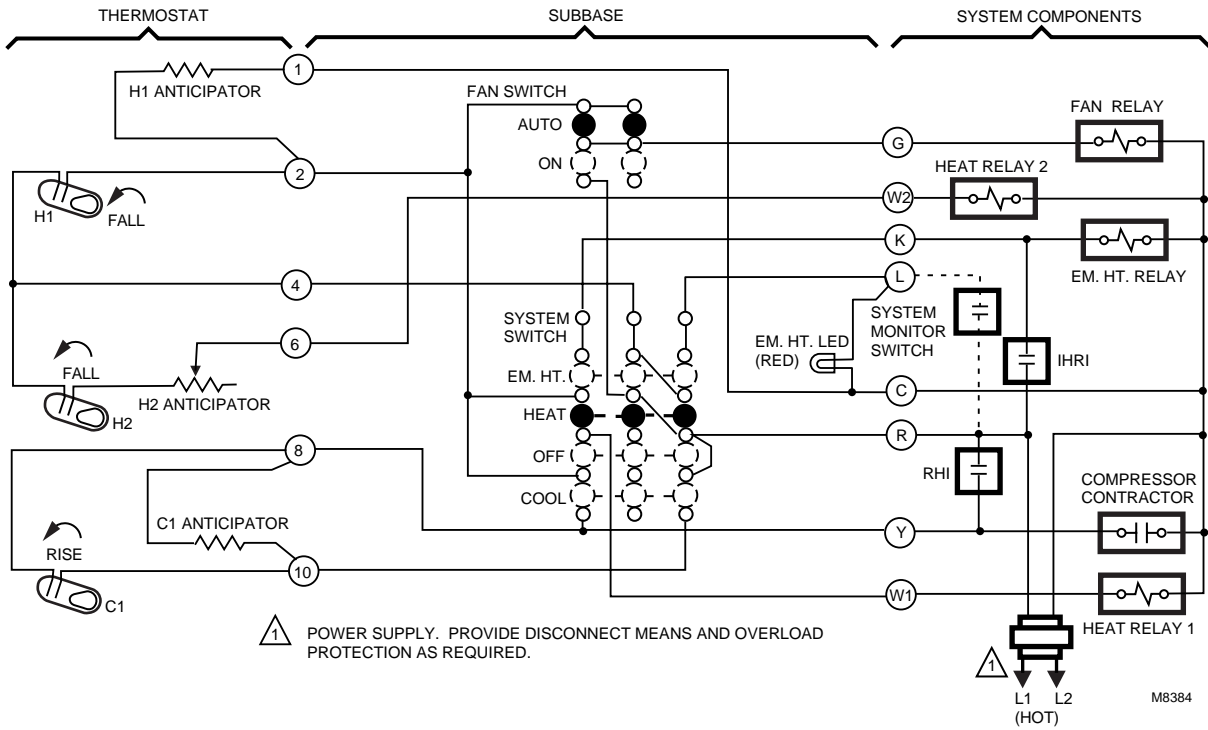


Fig. 105. Schematic and hookup of T874C with Q674L. Used in heat pump applications.

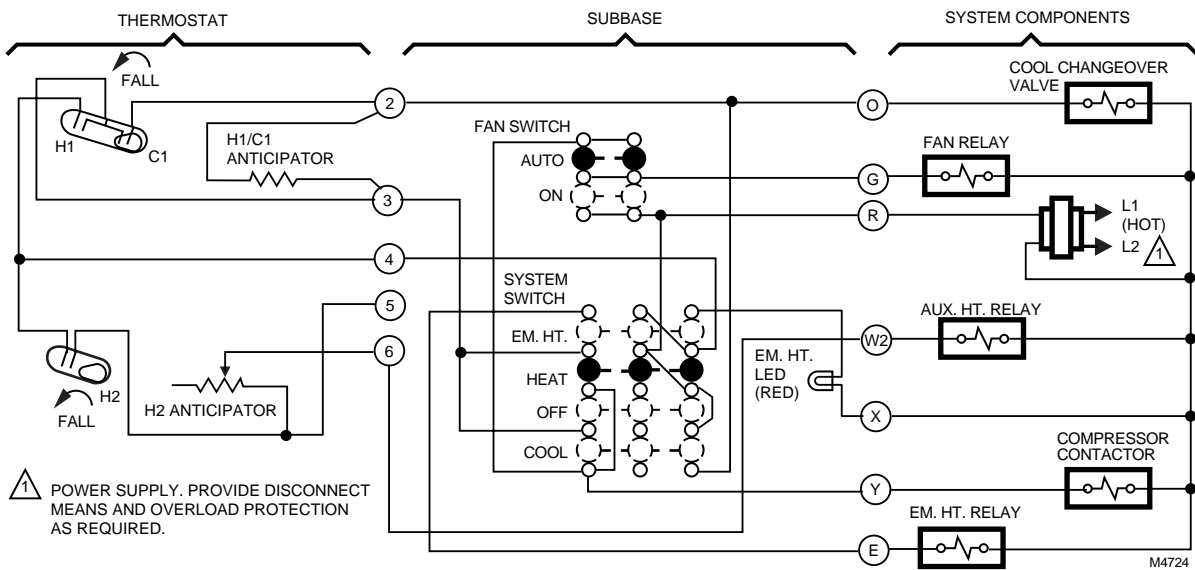


Fig. 106. Schematic and hookup of T874R with Q674L. Used in heat pump applications.



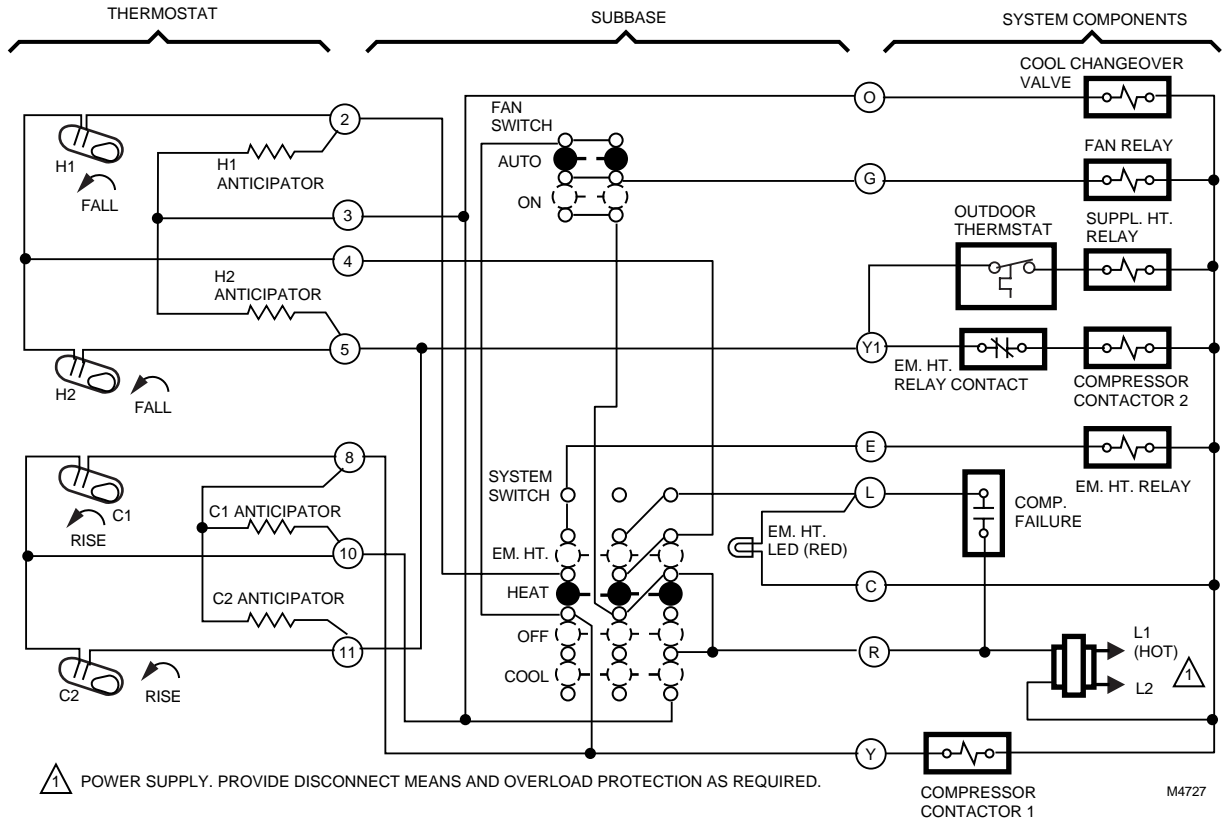


Fig. 107. Schematic and hookup of T874D with Q674L. Used in heat pump applications.

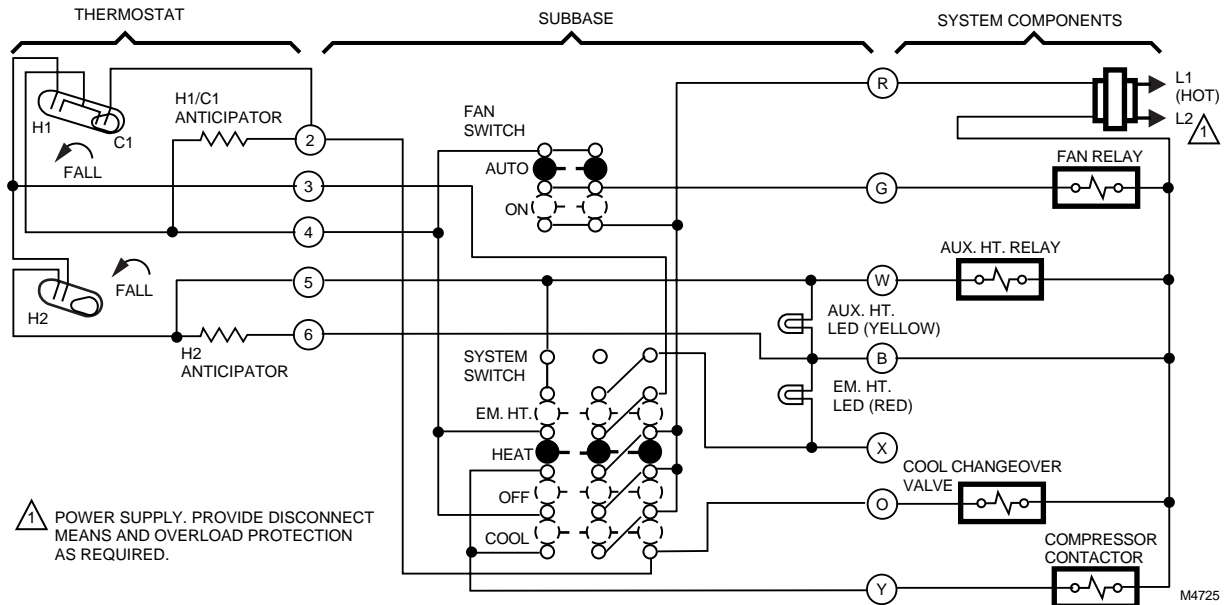


Fig. 108. Schematic and hookup of T874R with Q674L. Used in heat pump applications.

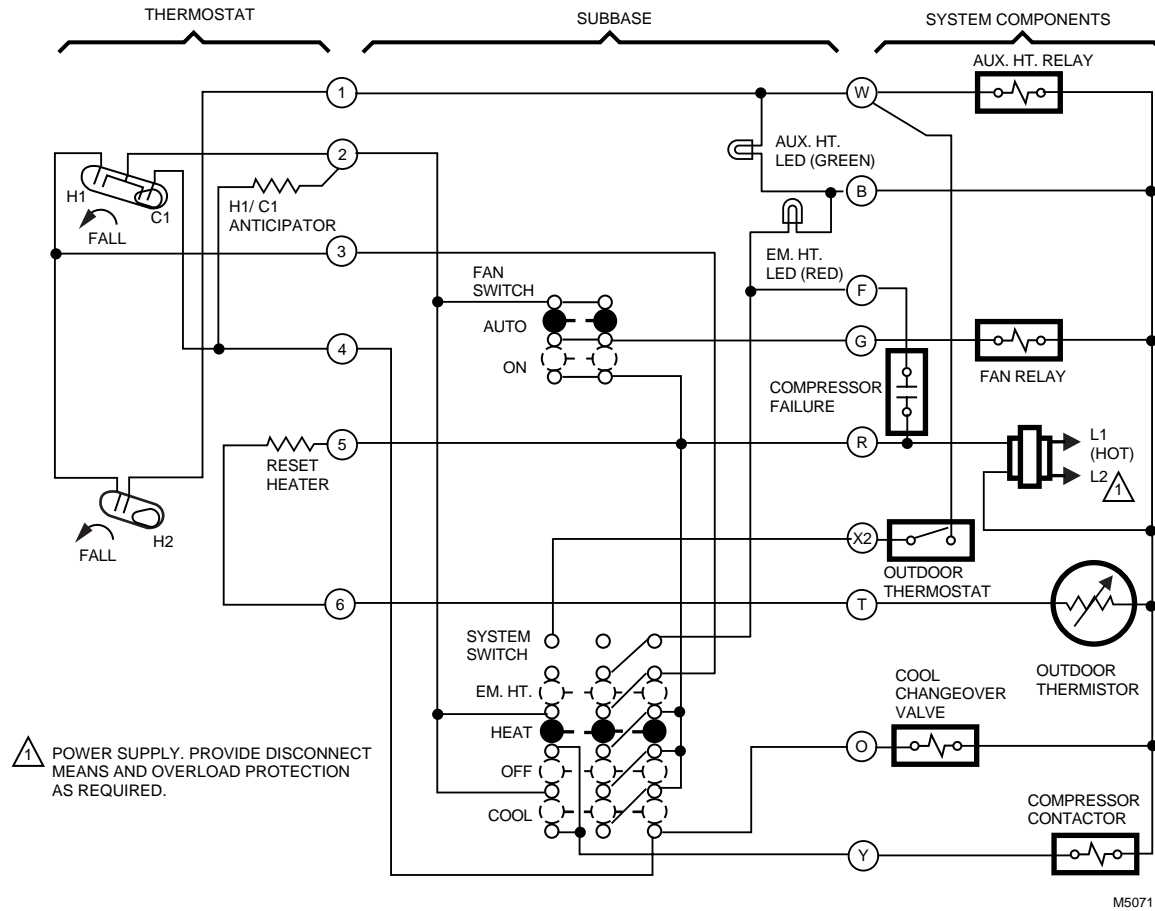


Fig. 109. Schematic and hookup of T874R with Q674L. Used in heat pump applications.

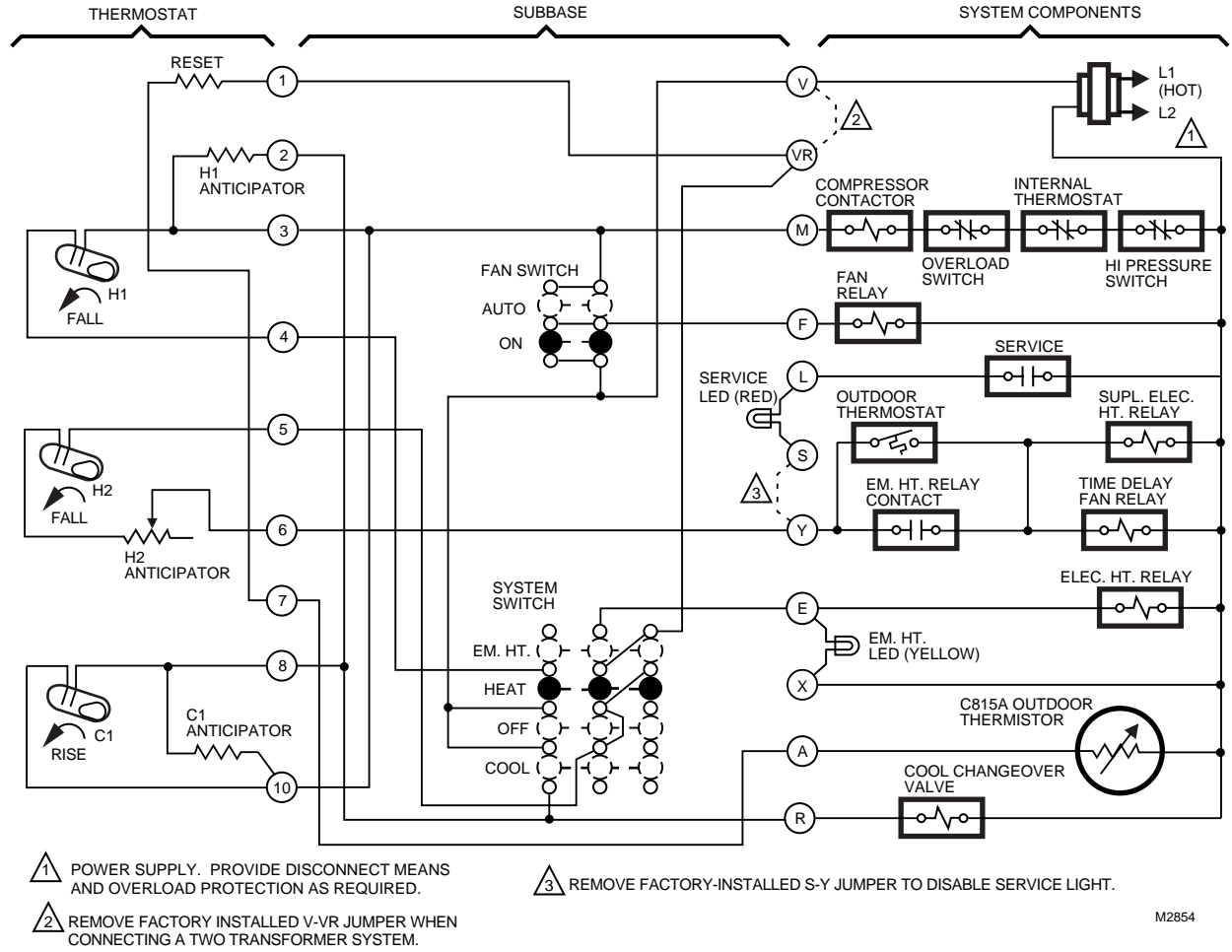


Fig. 110. Schematic and hookup of T87C,R with Q674L. Used in heat pump applications.

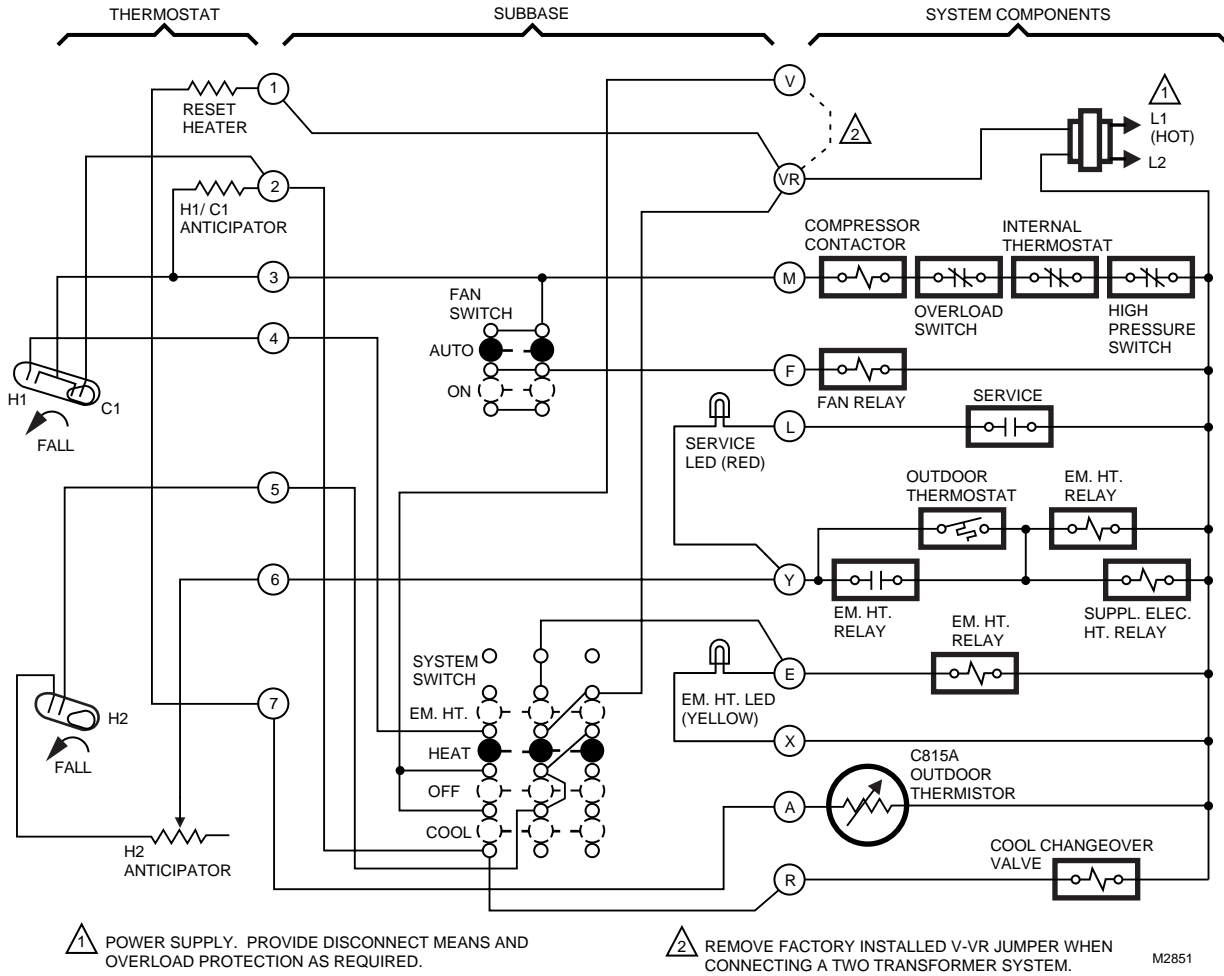


Fig. 111. Schematic and hookup of T874R with Q674L. Used in heat pump applications.

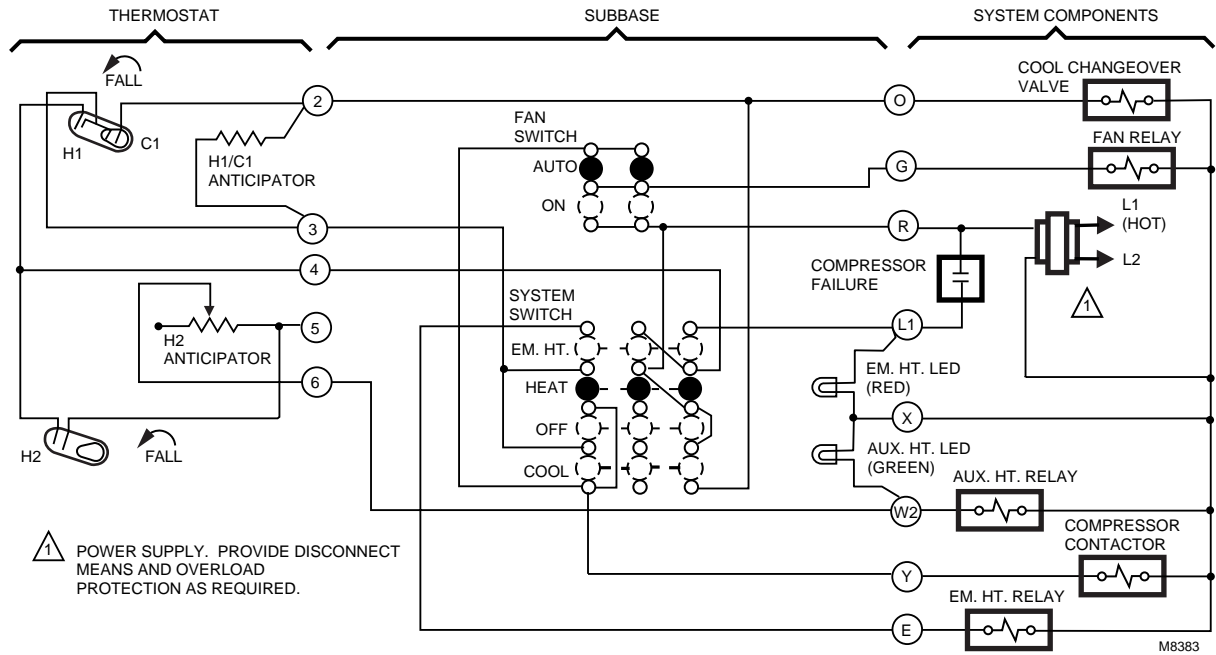


Fig. 112. Schematic and hookup of T874R with Q674L. Used in heat pump applications.

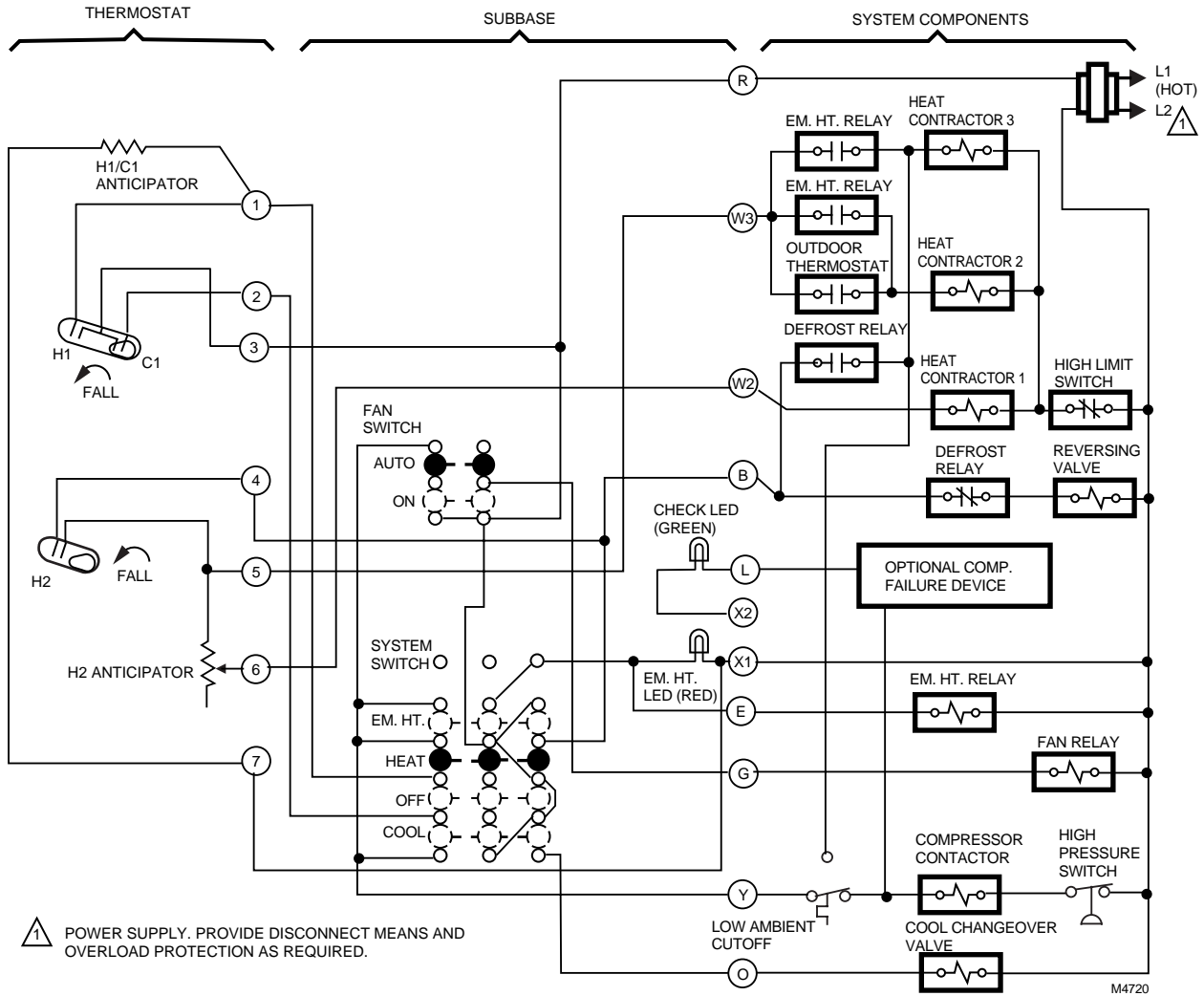


Fig. 113. Schematic and hookup of T874R with Q674L. Used in heat pump applications.

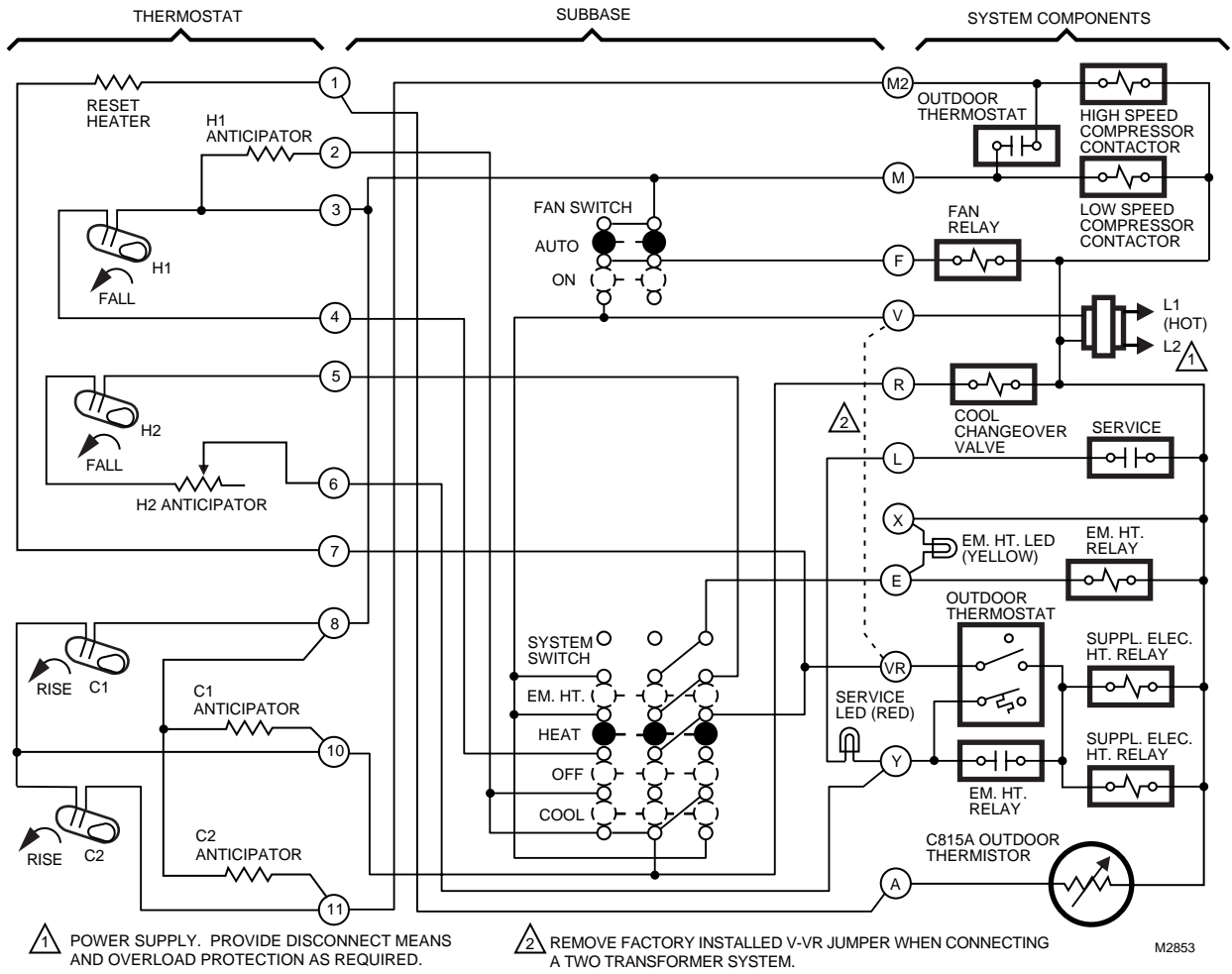


Fig. 114. Schematic and hookup of T874D with Q674L. Used in heat pump applications.

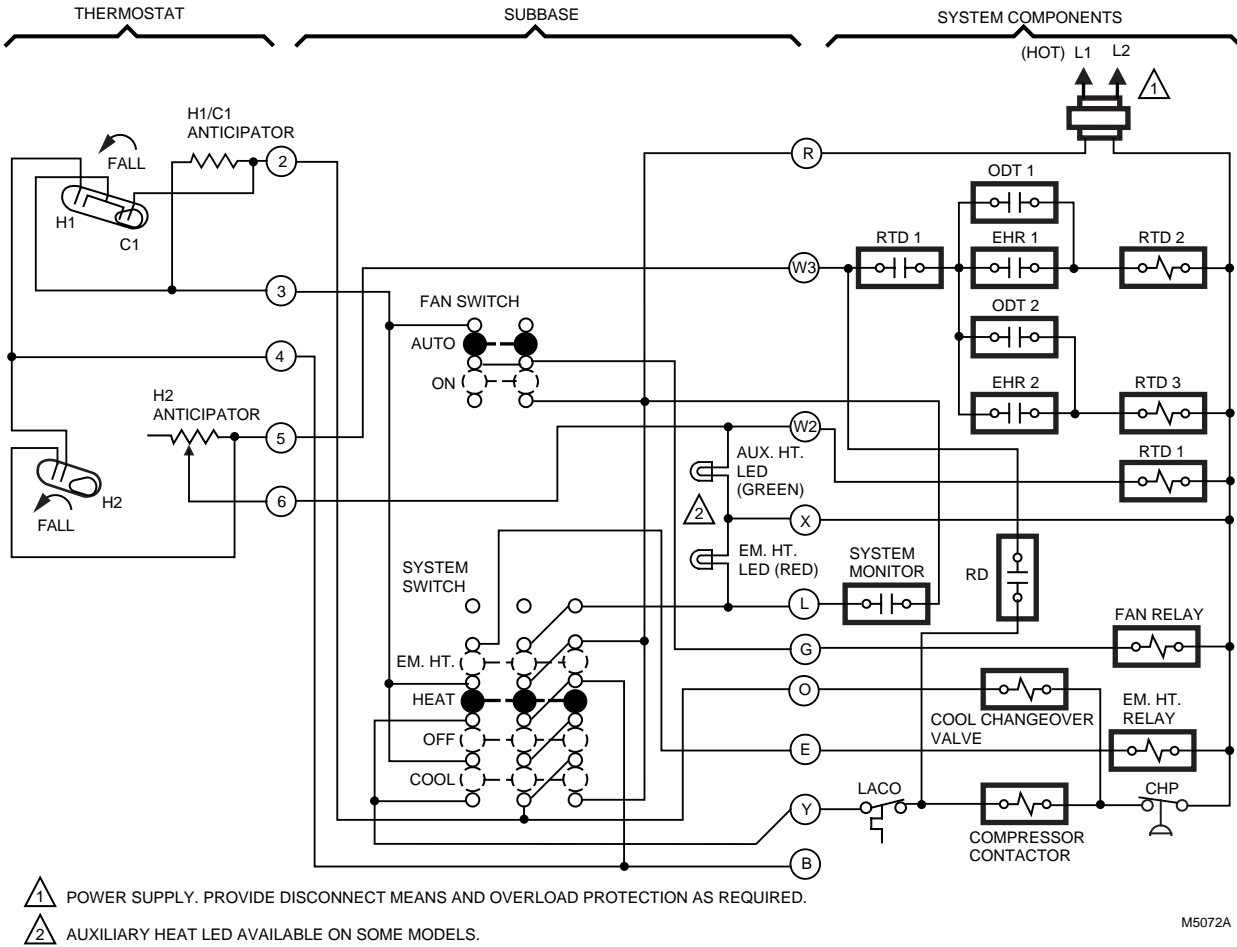


Fig. 115. Schematic and hookup of T874R with Q674L. Used in heat pump applications.



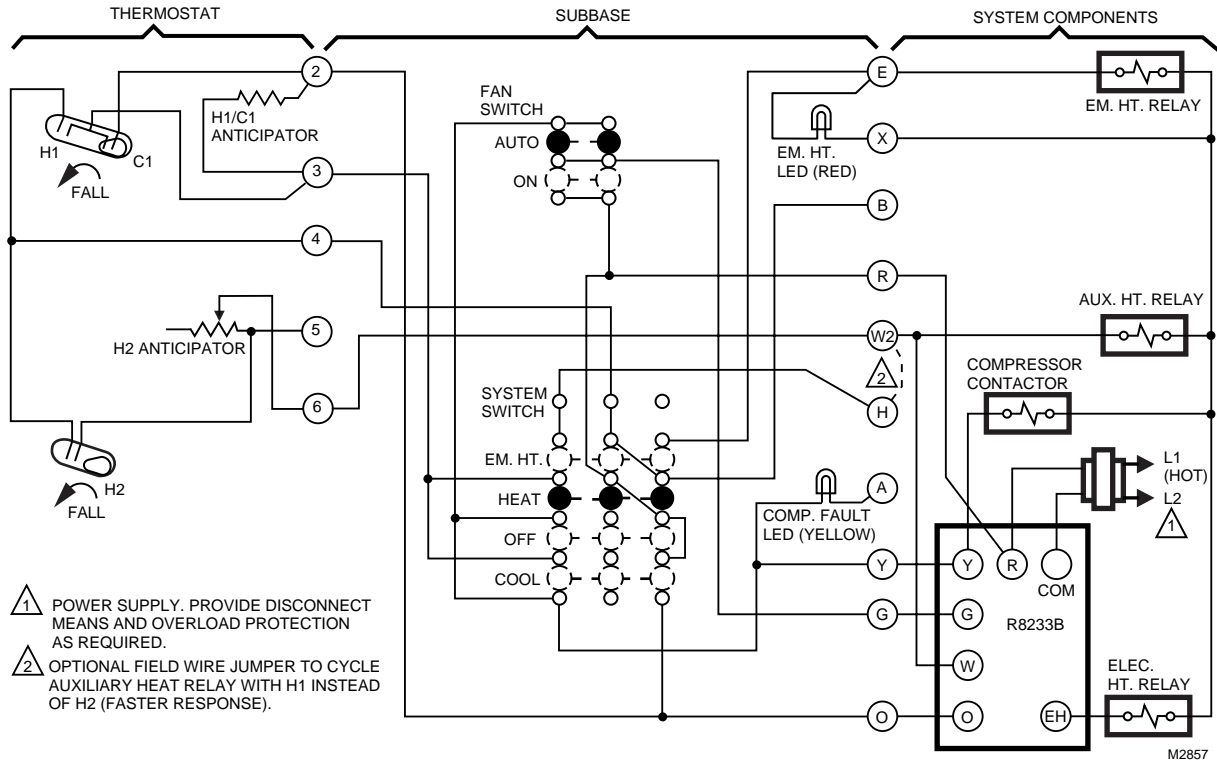


Fig. 116. Schematic and hookup of T874R with Q674L. Used in heat pump applications.

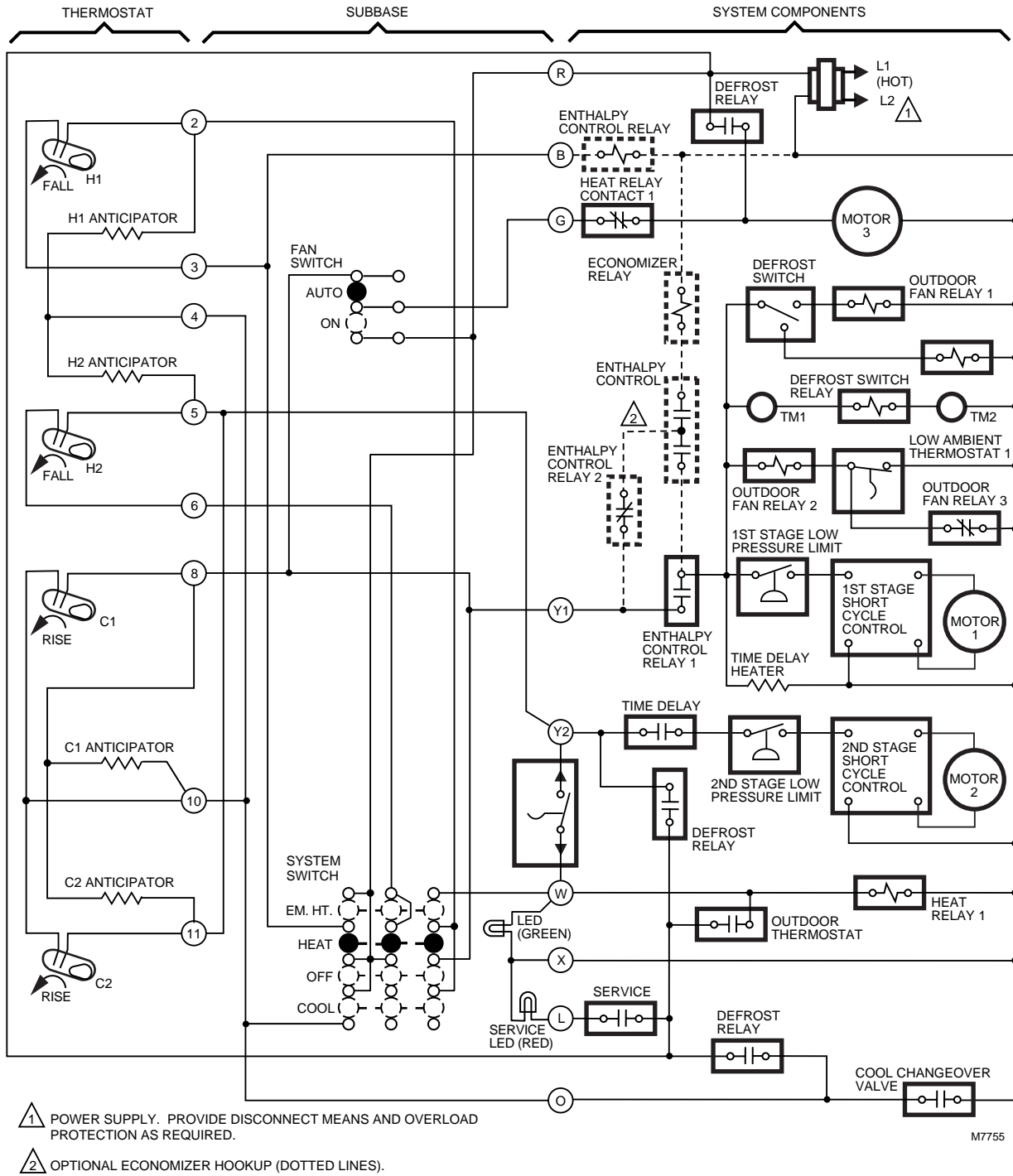


Fig. 117. Schematic and hookup of T874D with Q674L. Used in heat pump applications.

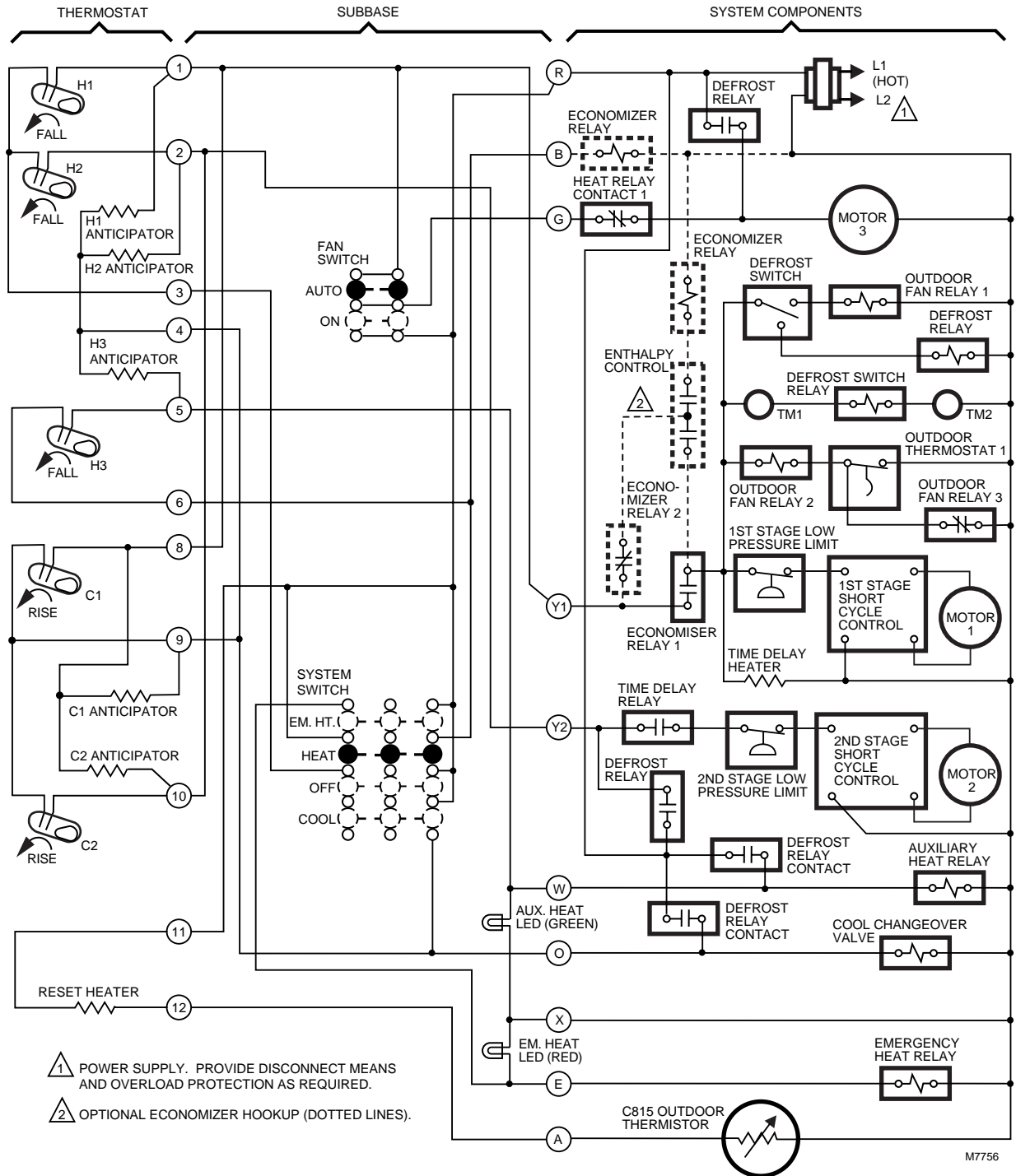


Fig. 118. Schematic and hookup of T874W with Q674L. Used in heat pump applications.

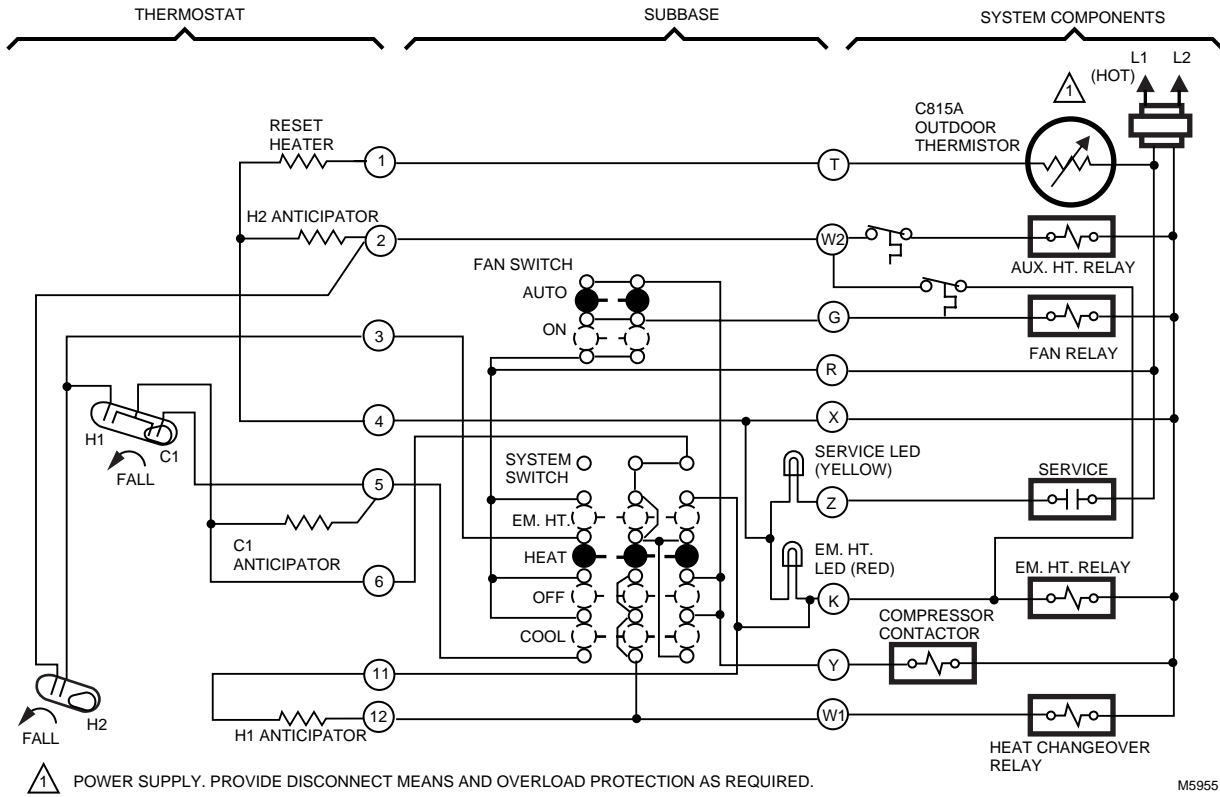


Fig. 119. Schematic and hookup of T874R with Q674L. Used in heat pump applications.

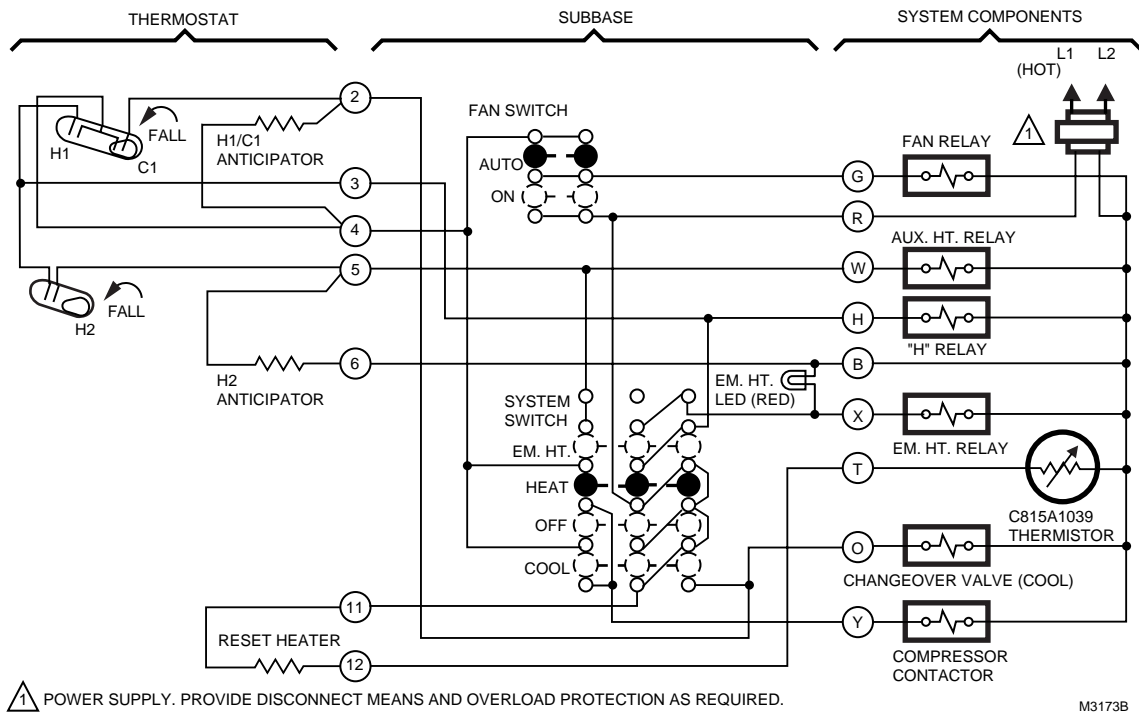


Fig. 120. Schematic and hookup of T874R with Q674L. Used in heat pump applications.

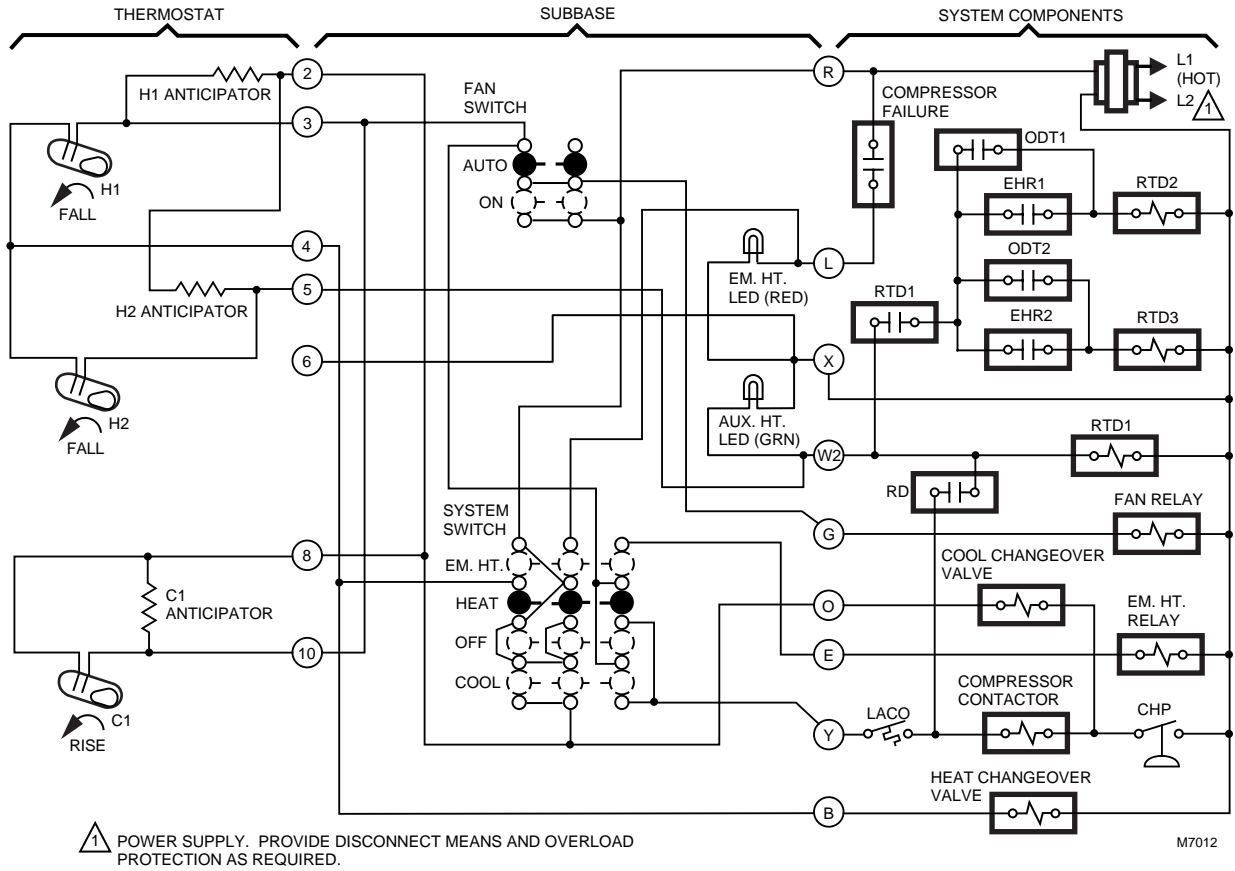


Fig. 121. Schematic and hookup of T874C with Q674L. Used in heat pump applications.

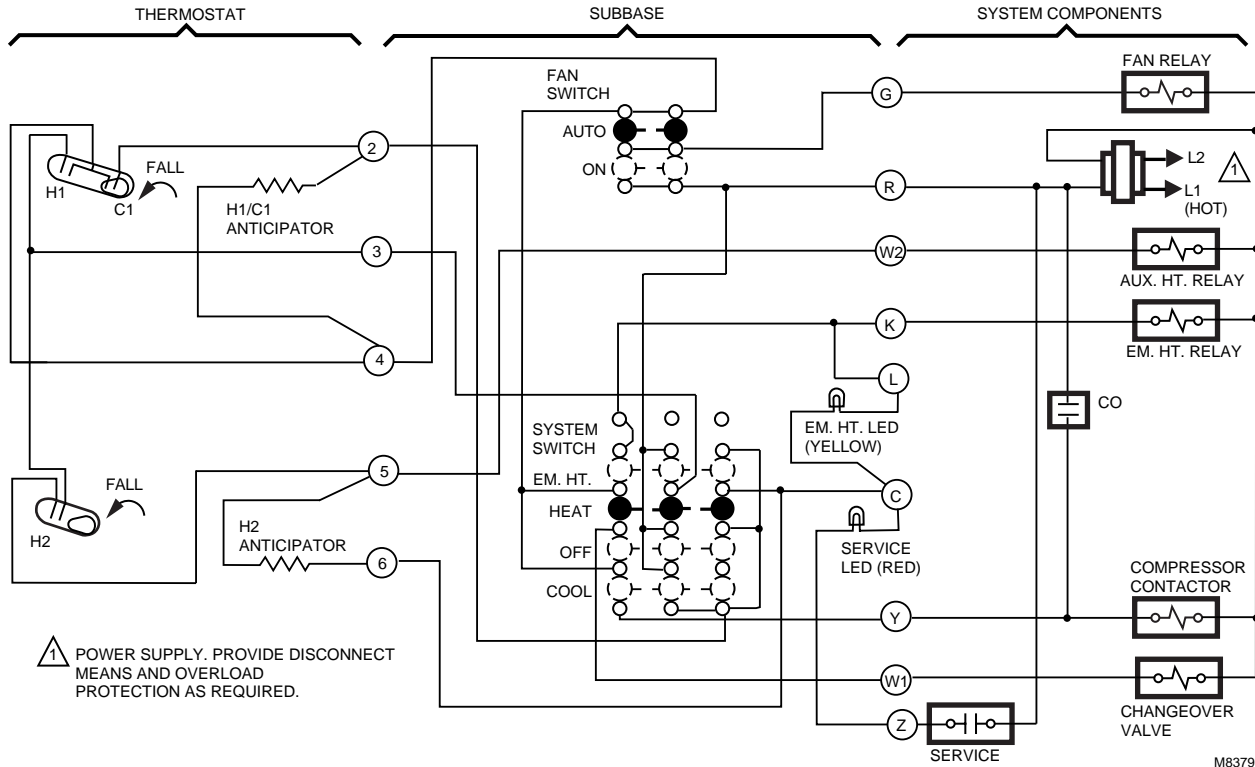


Fig. 122. Schematic and hookup of T874R with Q674L. Used in heat pump applications.

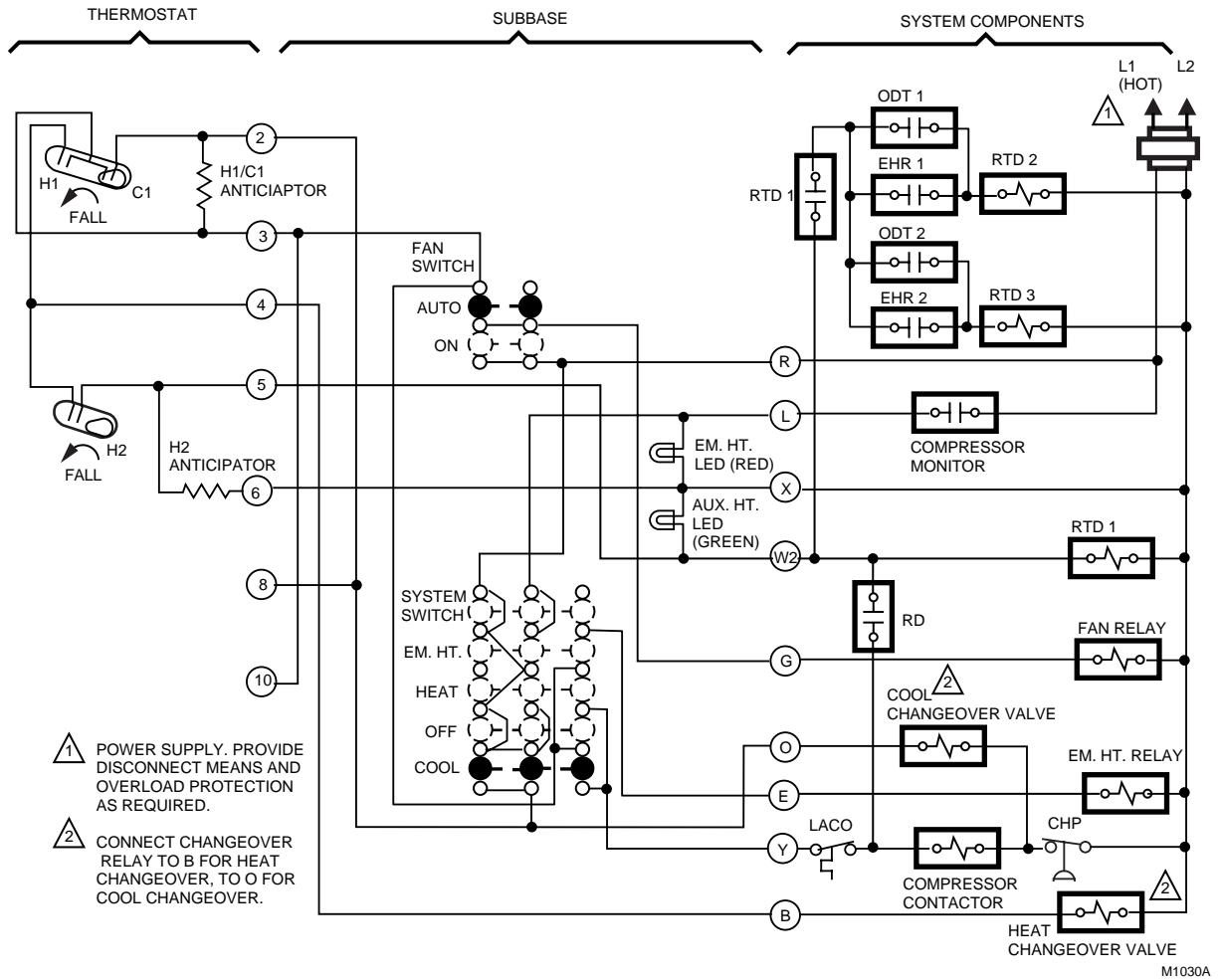
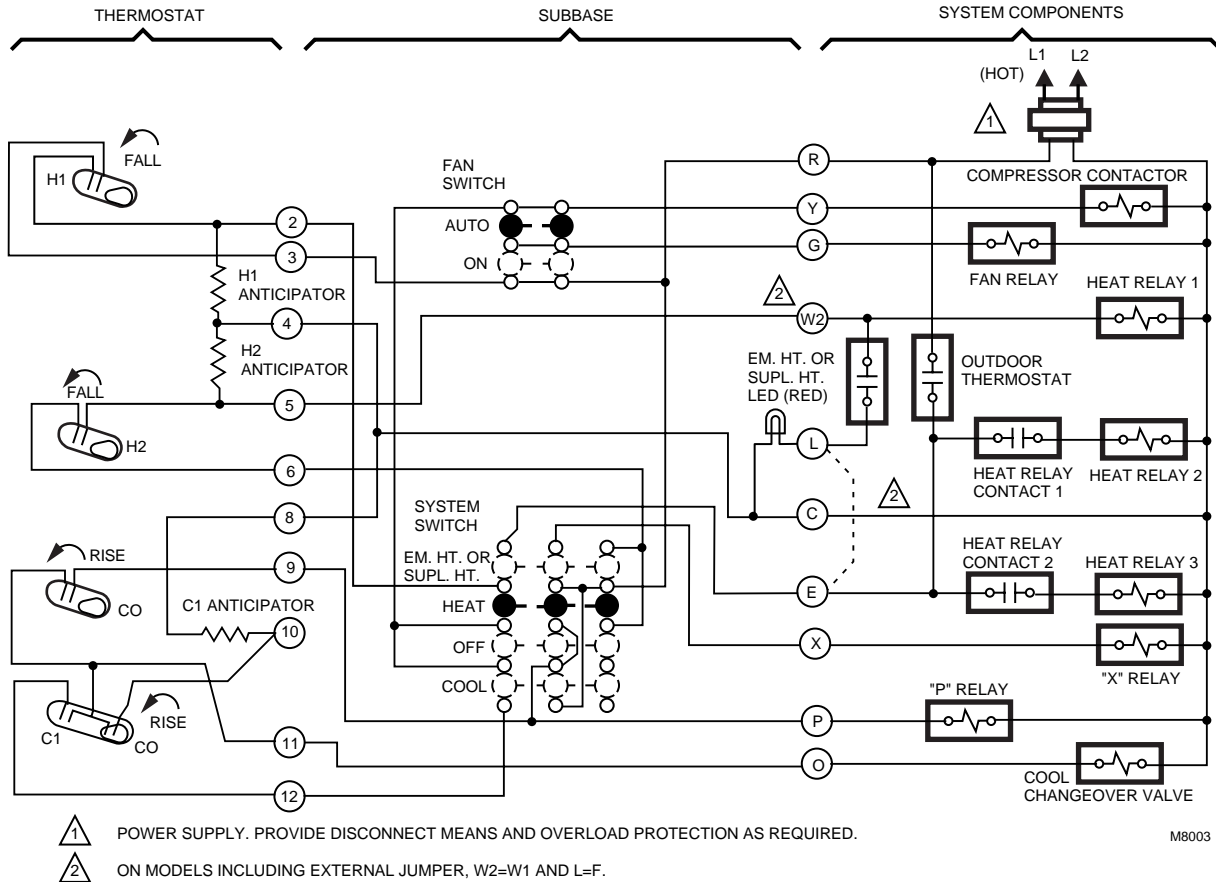
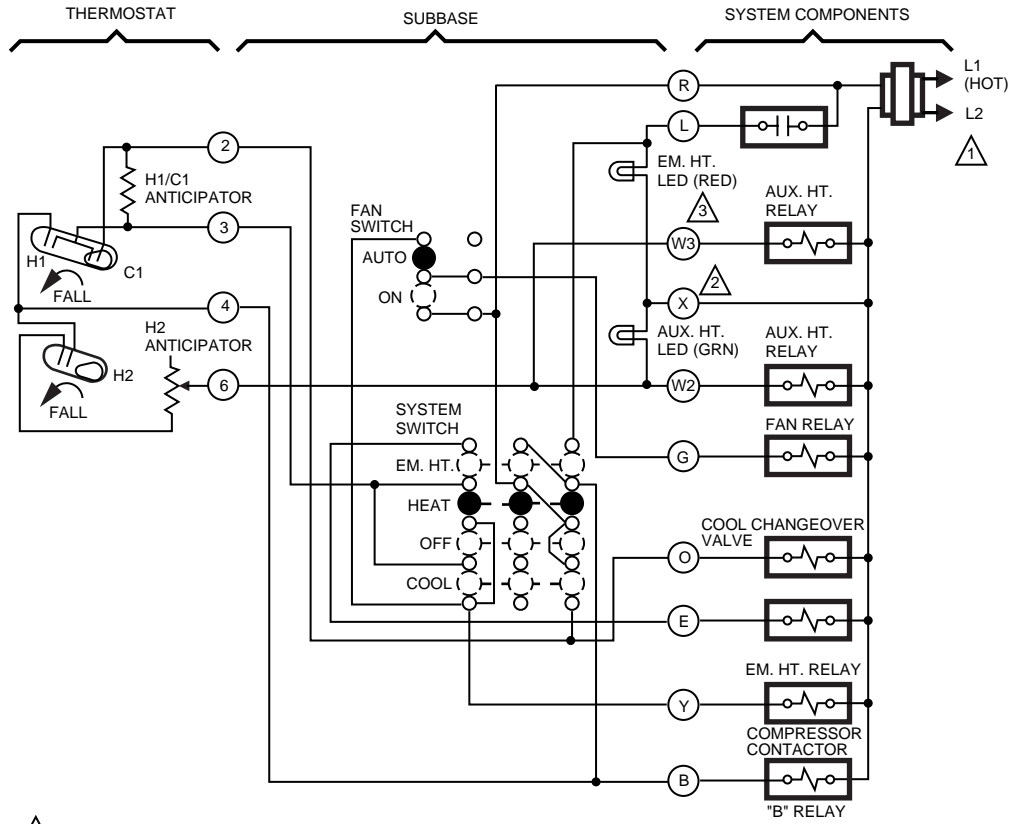


Fig. 123. Schematic and hookup of T874R with Q674L. Used in heat pump applications.



**Fig. 124. Schematic and hookup of T874J with Q674L. Used in heat pump applications.**





- 1 POWER SUPPLY. PROVIDE DISCONNECT MEANS AND OVERLOAD PROTECTION AS REQUIRED.
- 2 TERMINAL LABELED C/X ON SOME MODELS.
- 3 W3 TERMINAL AVAILABLE ON SOME MODELS ONLY.

M3683A

Fig. 125. Schematic and hookup of T874R with Q674L. Used in heat pump applications.

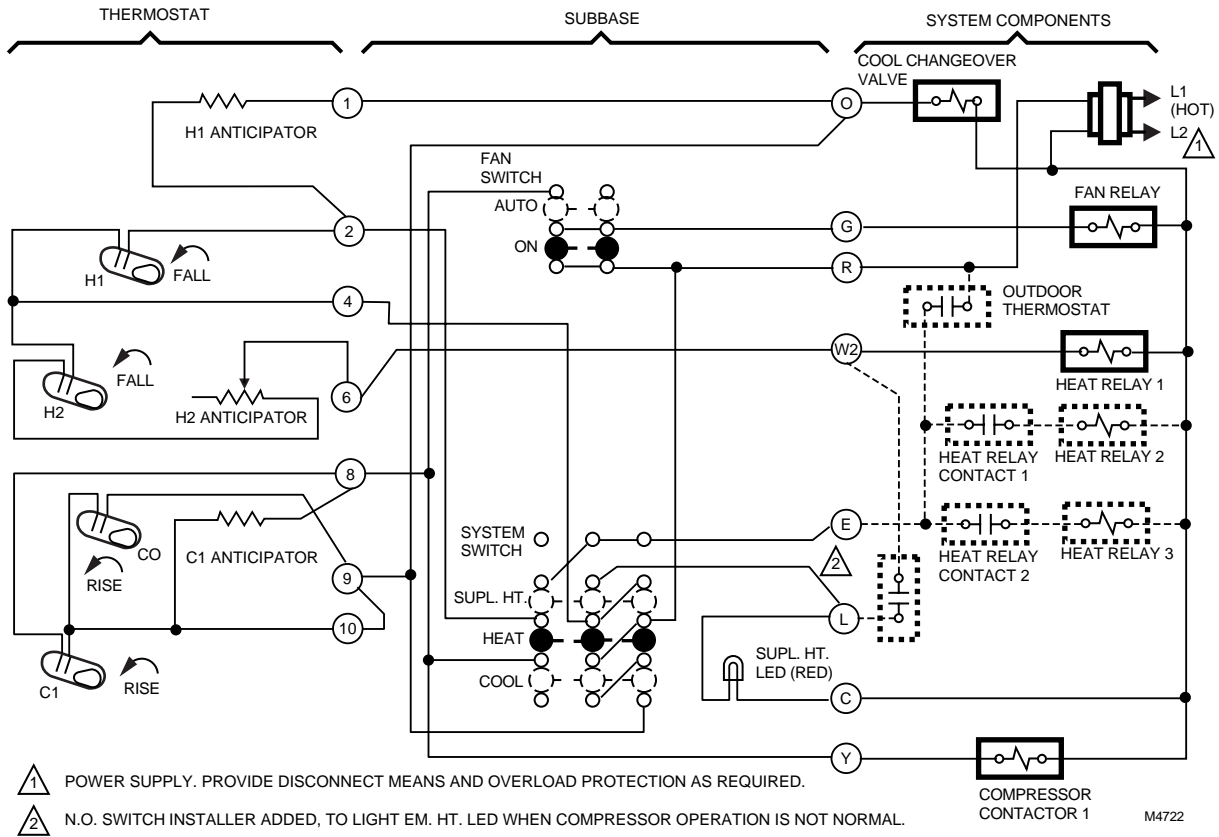


Fig. 126. Schematic and hookup of T874G with Q674P. Used in heat pump applications.

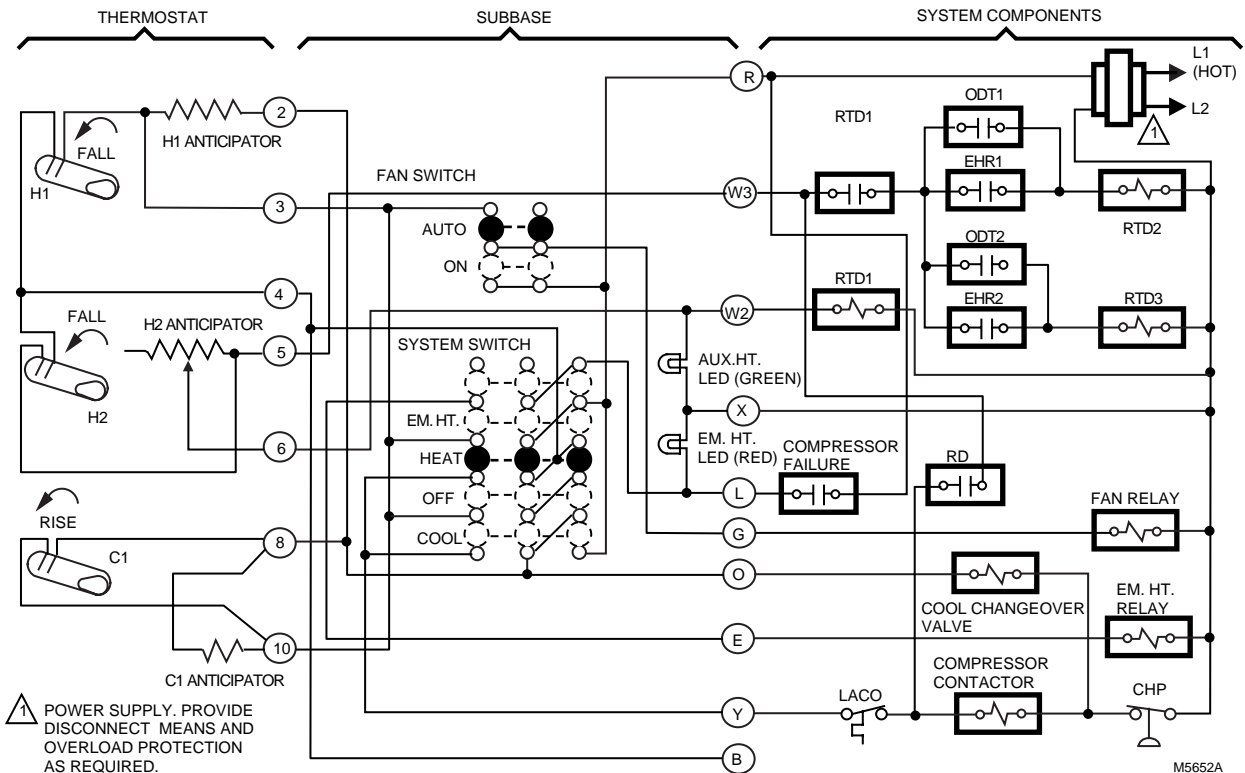


Fig. 127. Schematic and hookup of T874C with Q674L. Used in heat pump applications.

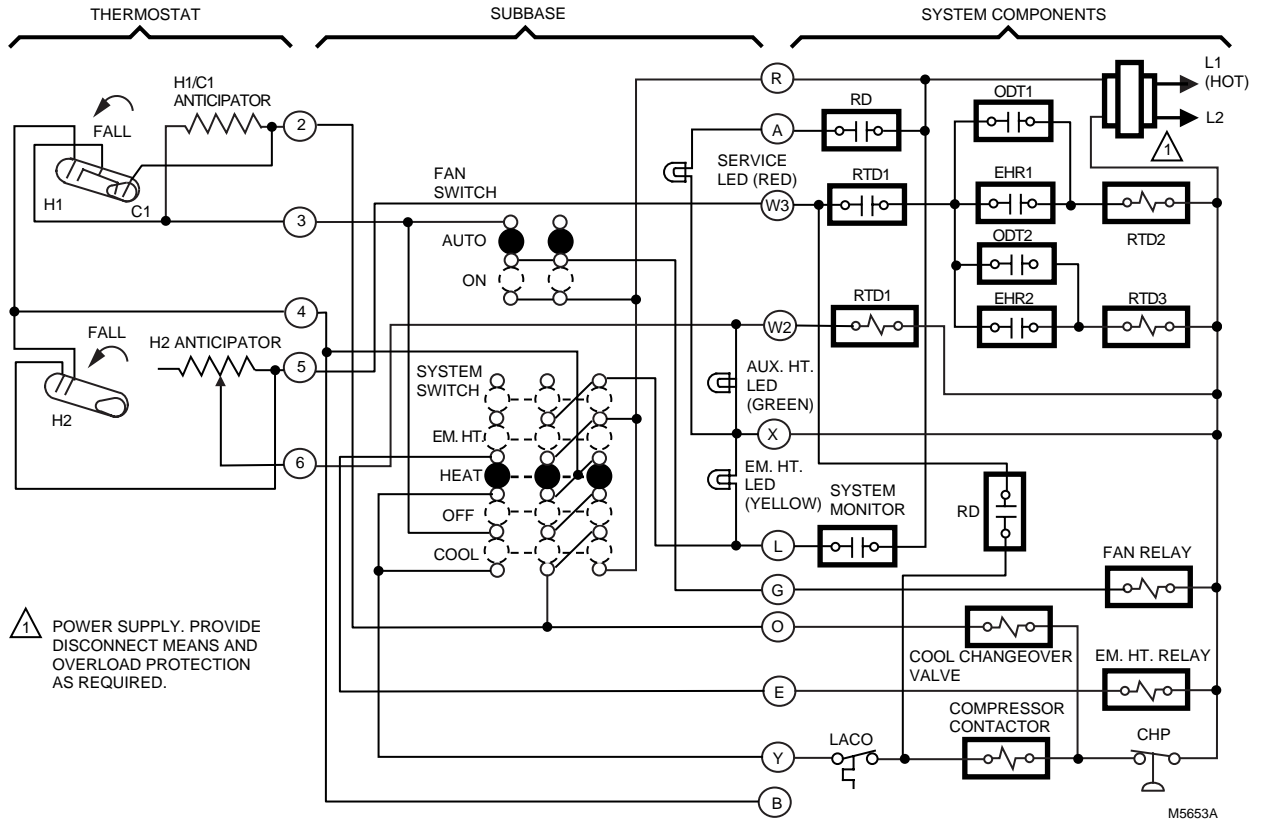


Fig. 128. Schematic and hookup of T874R with Q674L. Used in heat pump applications.

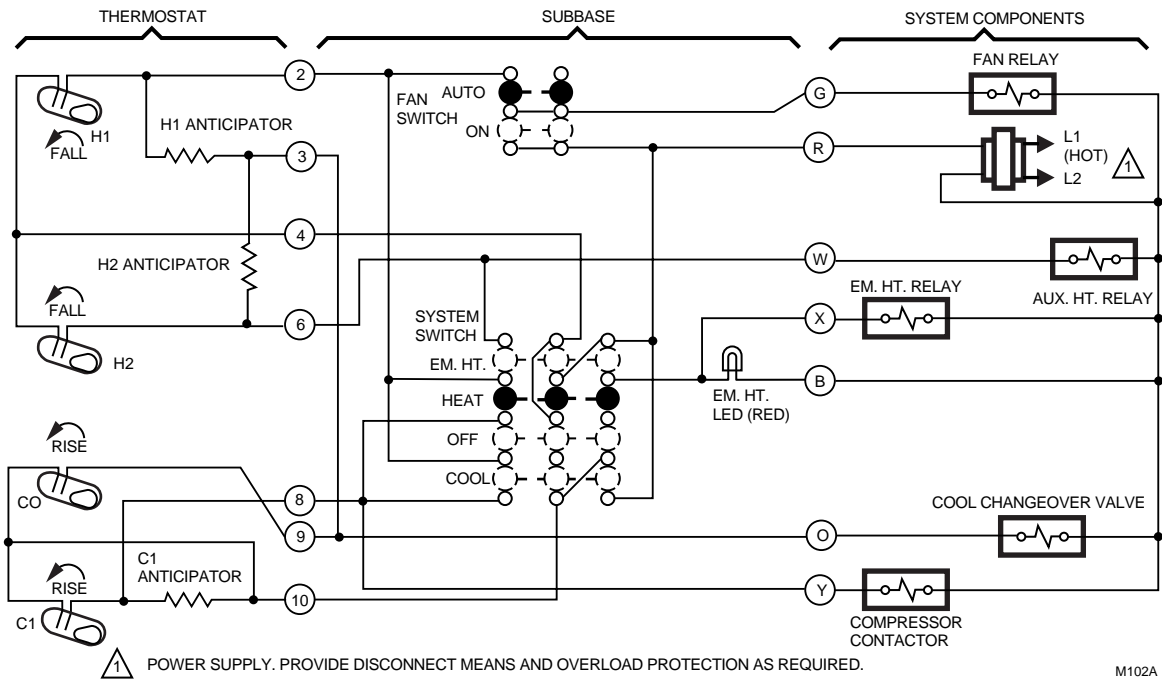


Fig. 129. Schematic and hookup of T874G with Q674L. Used in heat pump applications.

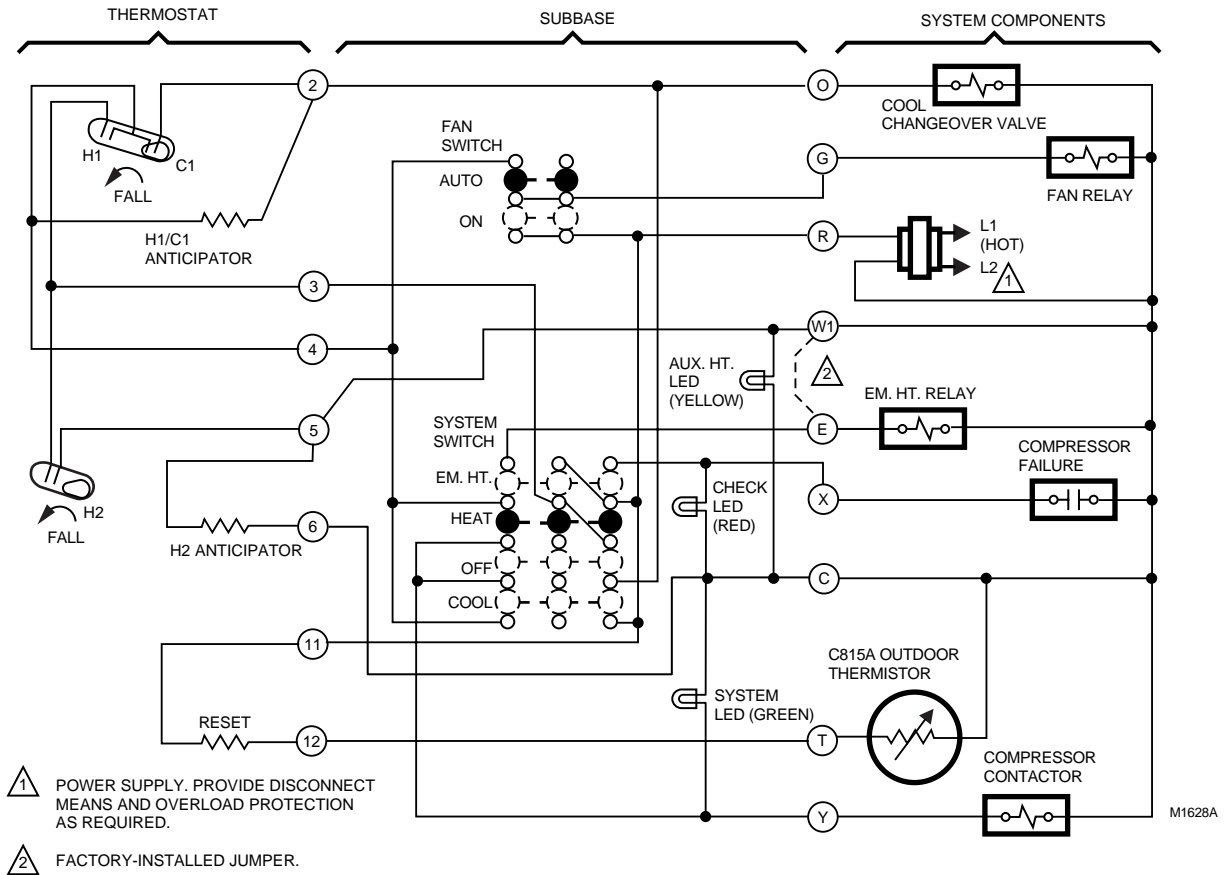


Fig. 130. Schematic and hookup of T874R with Q674L. Used in heat pump applications.

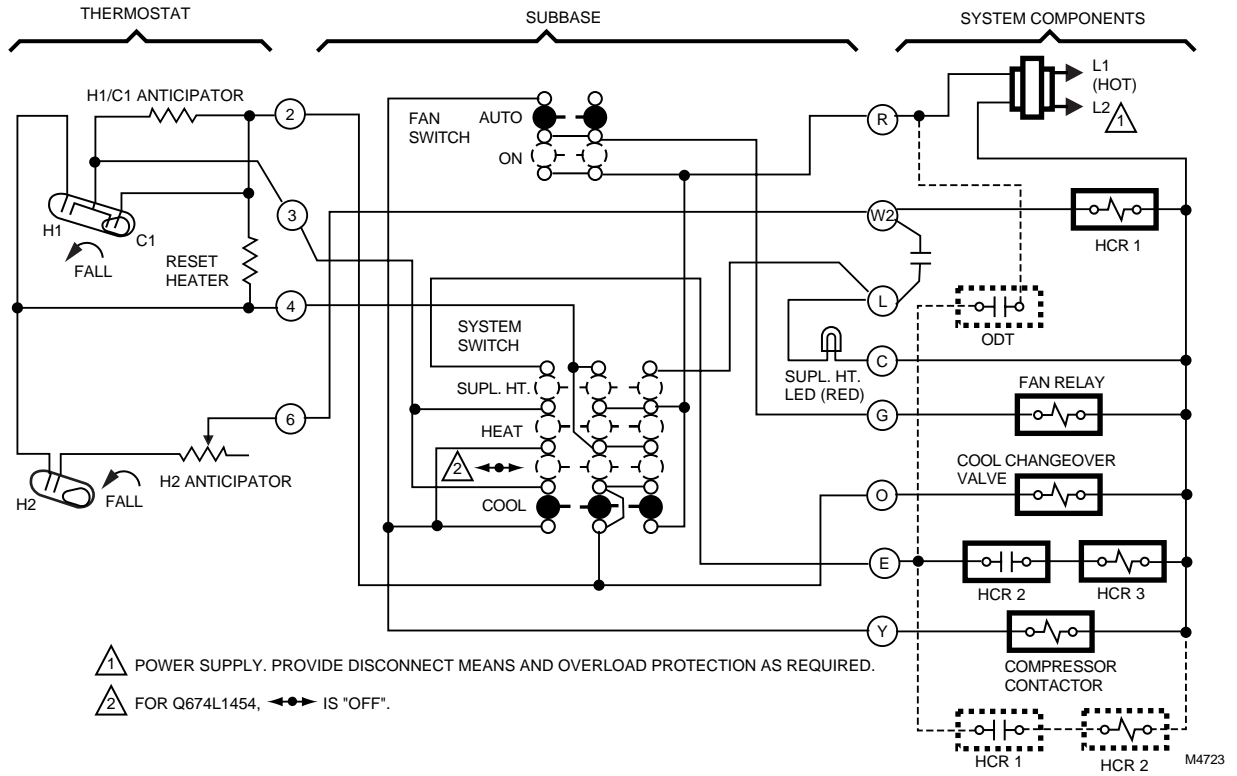


Fig. 131. Schematic and hookup of T874R with Q674L. Used in heat pump applications.

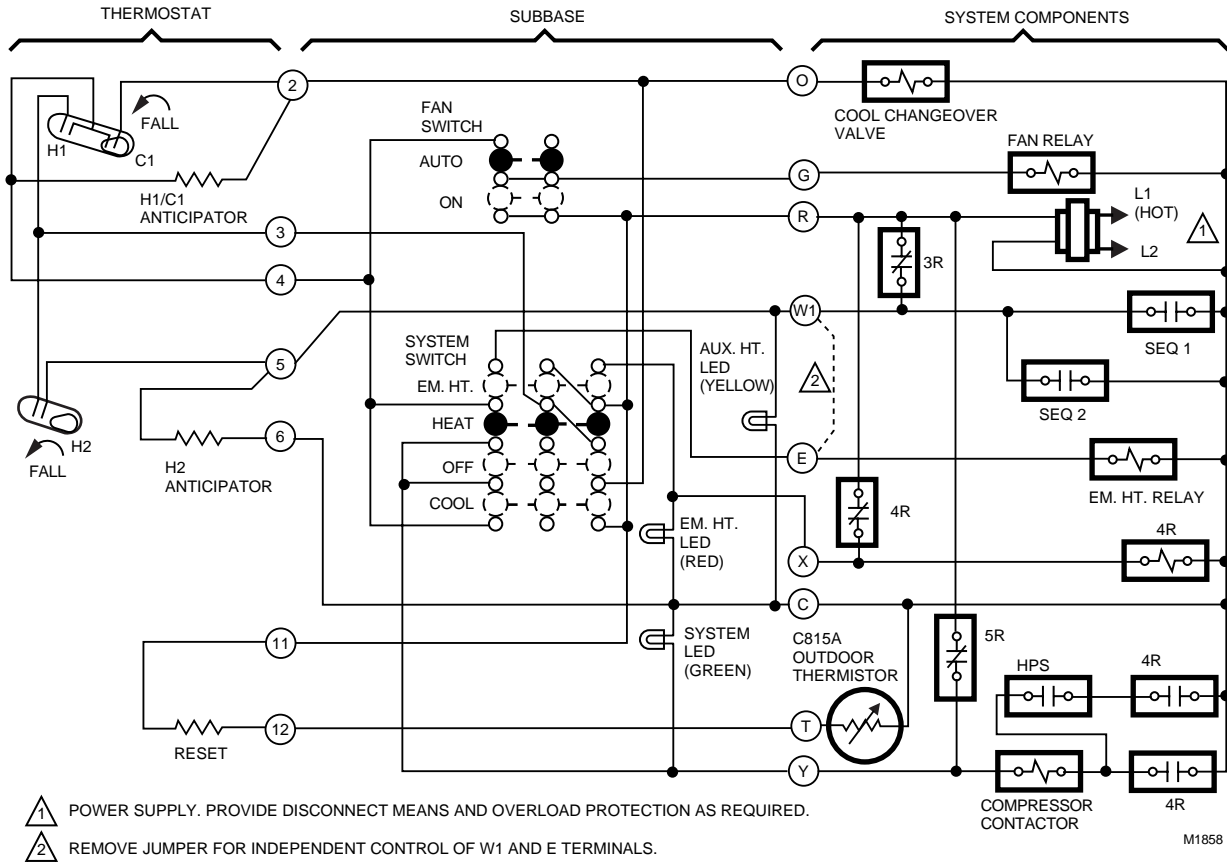


Fig. 132. Schematic and hookup of T874R with Q674L. Used in heat pump applications.

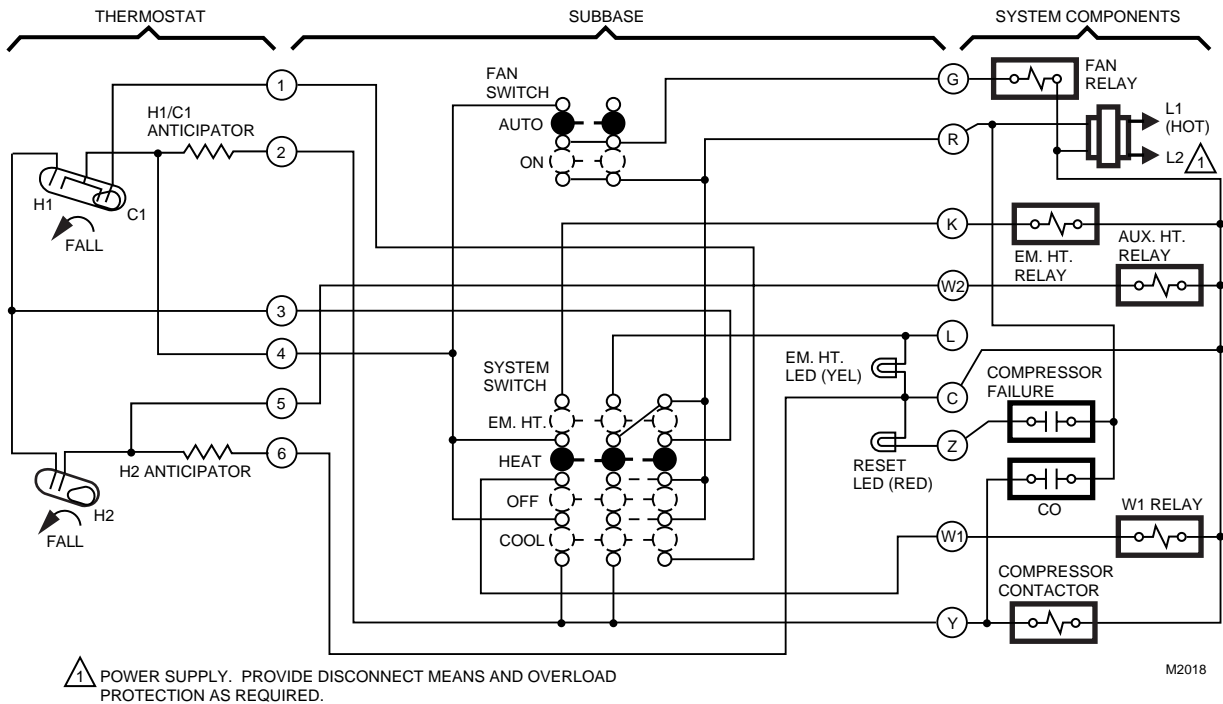


Fig. 133. Schematic and hookup of T874R with Q674L. Used in heat pump applications.

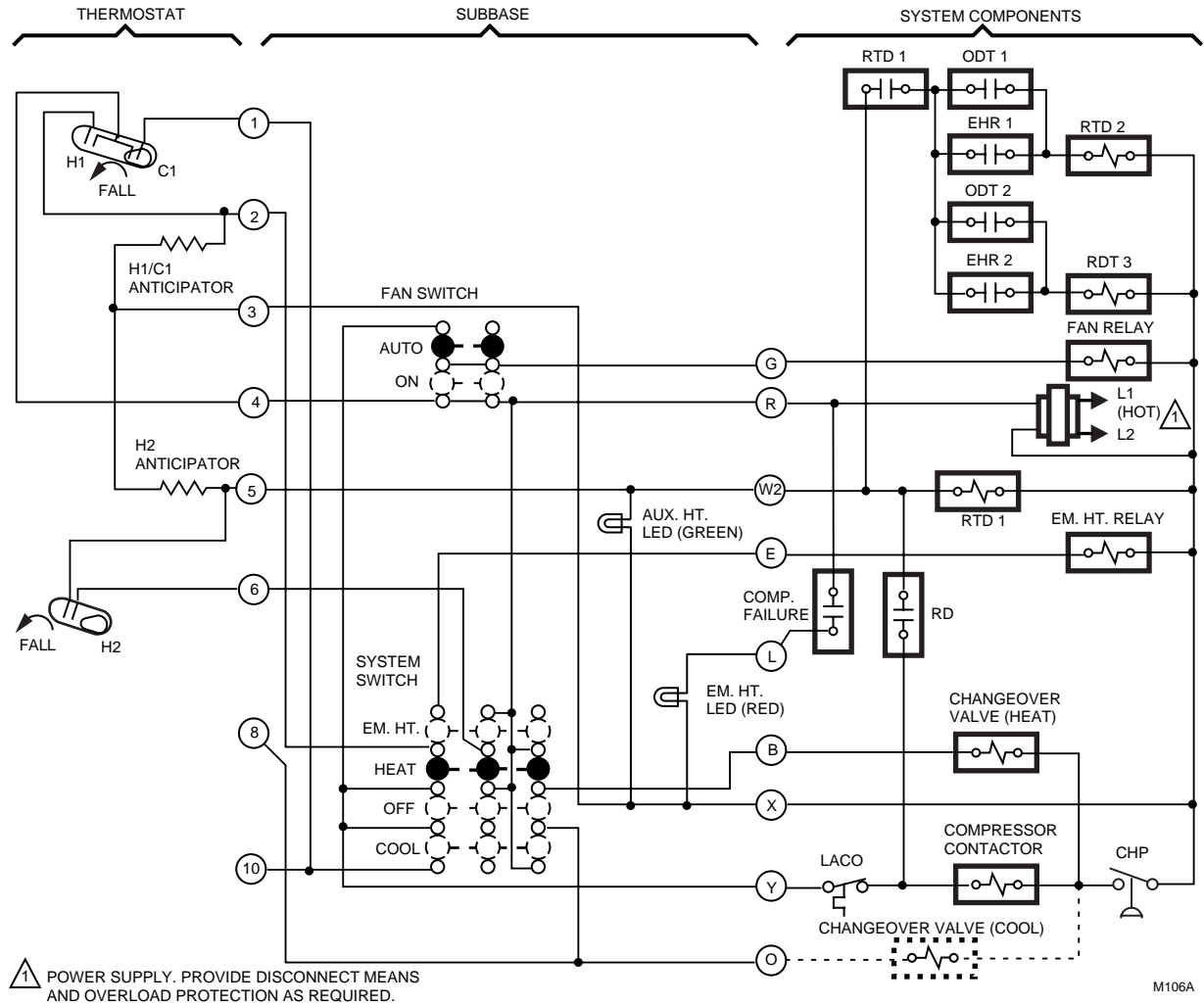


Fig. 134. Schematic and hookup of T874R with Q674L. Used in heat pump applications.

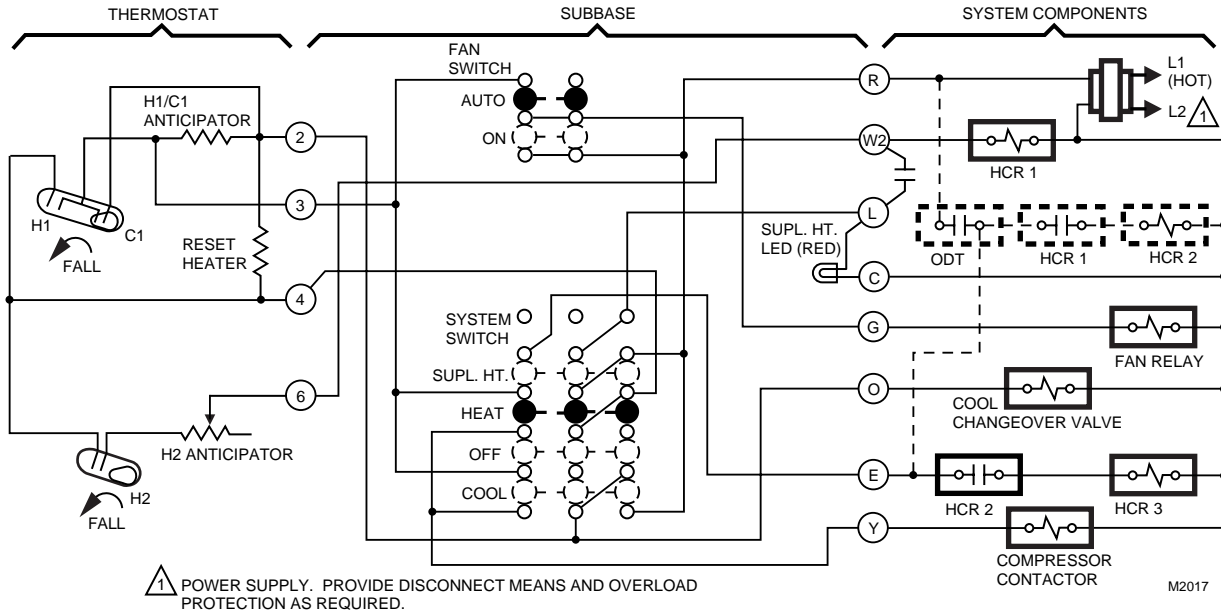


Fig. 135. Schematic and hookup of T874R with Q674L. Used in heat pump applications.

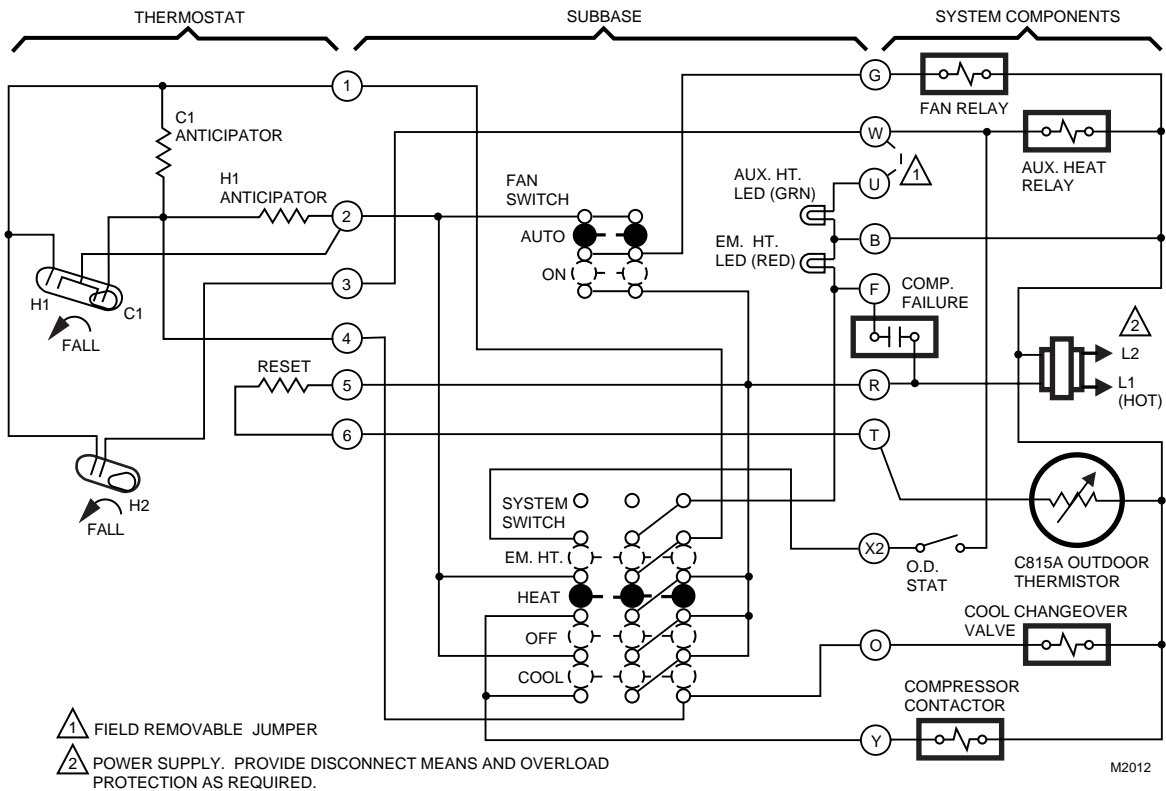


Fig. 136. Schematic and hookup of T874R with Q674L. Used in heat pump applications.



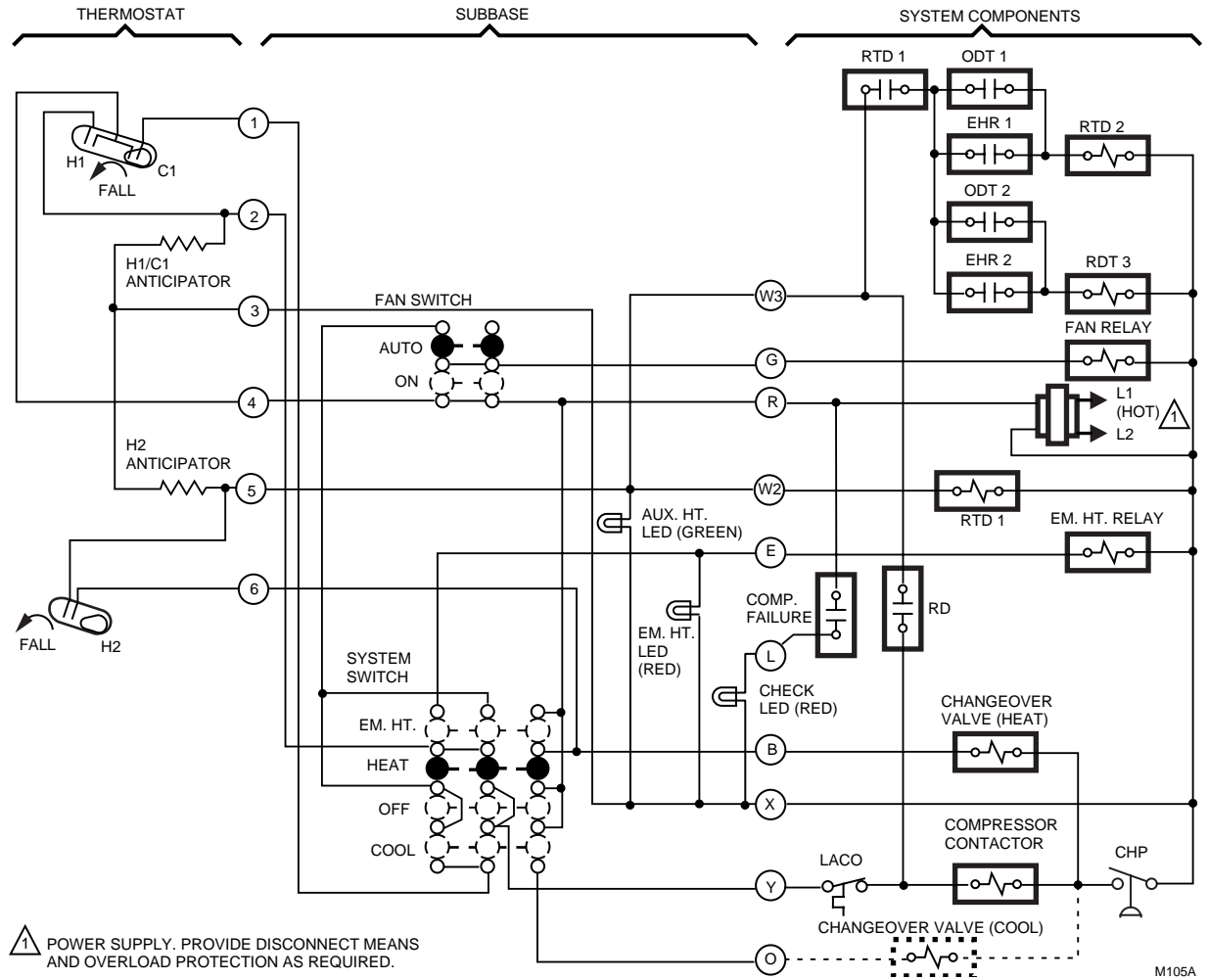


Fig. 137. Schematic and hookup of T874R with Q674L. Used in heat pump applications.

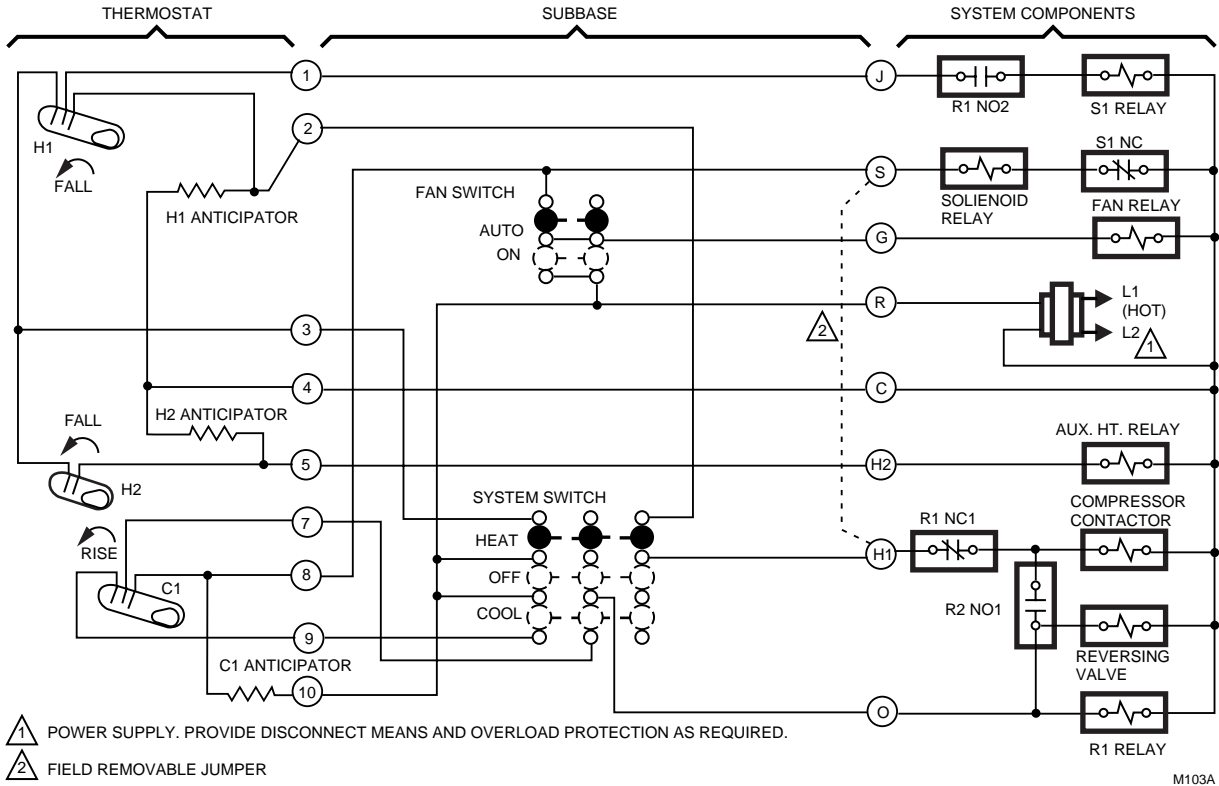


Fig. 138. Schematic and hookup of T874L with Q674B. Used in heat pump applications.

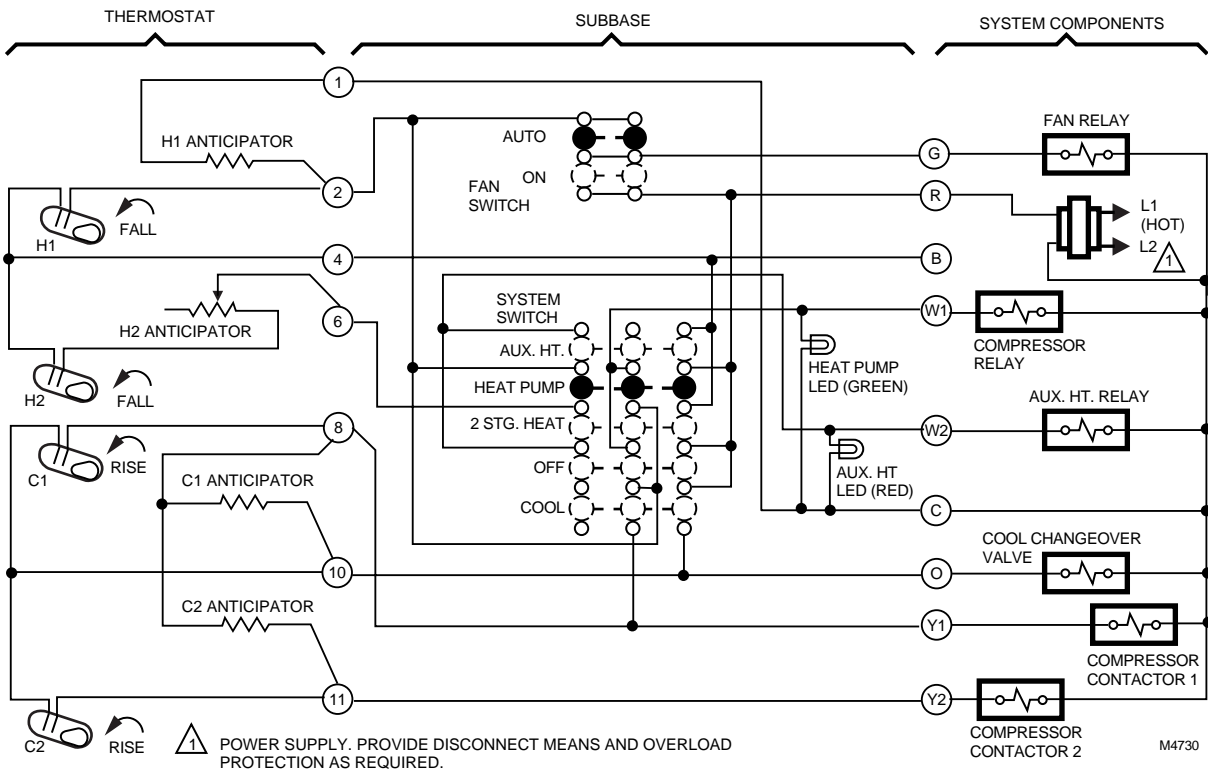


Fig. 139. Schematic and hookup of T874D with Q674F. Used in heat pump applications.

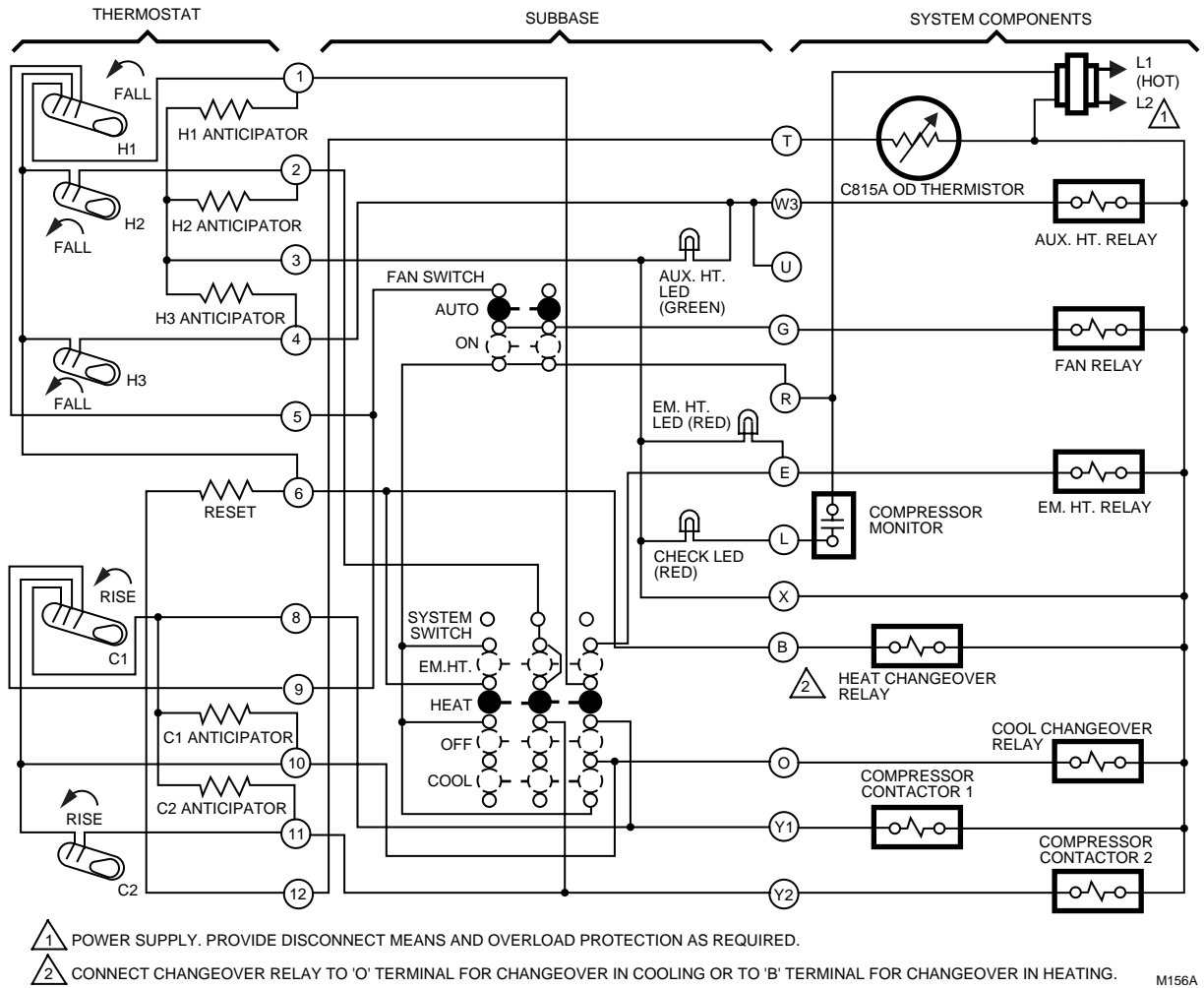


Fig. 140. Schematic and hookup of T874W with Q674L. Used in heat pump applications.

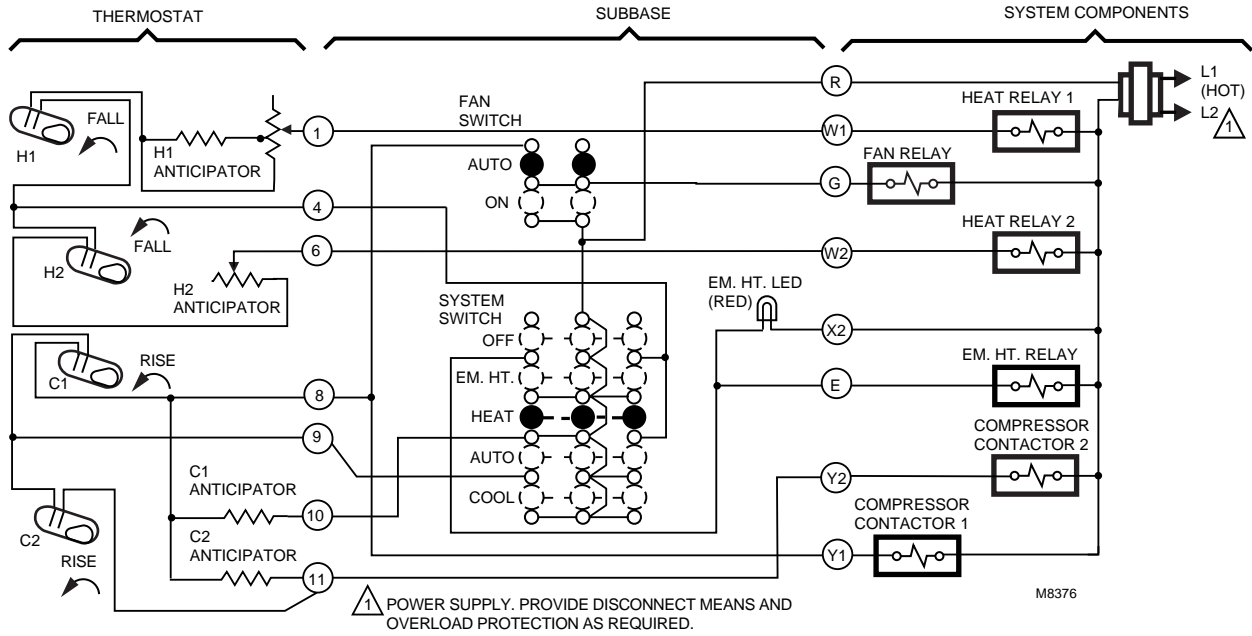


Fig. 141. Schematic and hookup of T874C with Q674F. Used in standard applications.

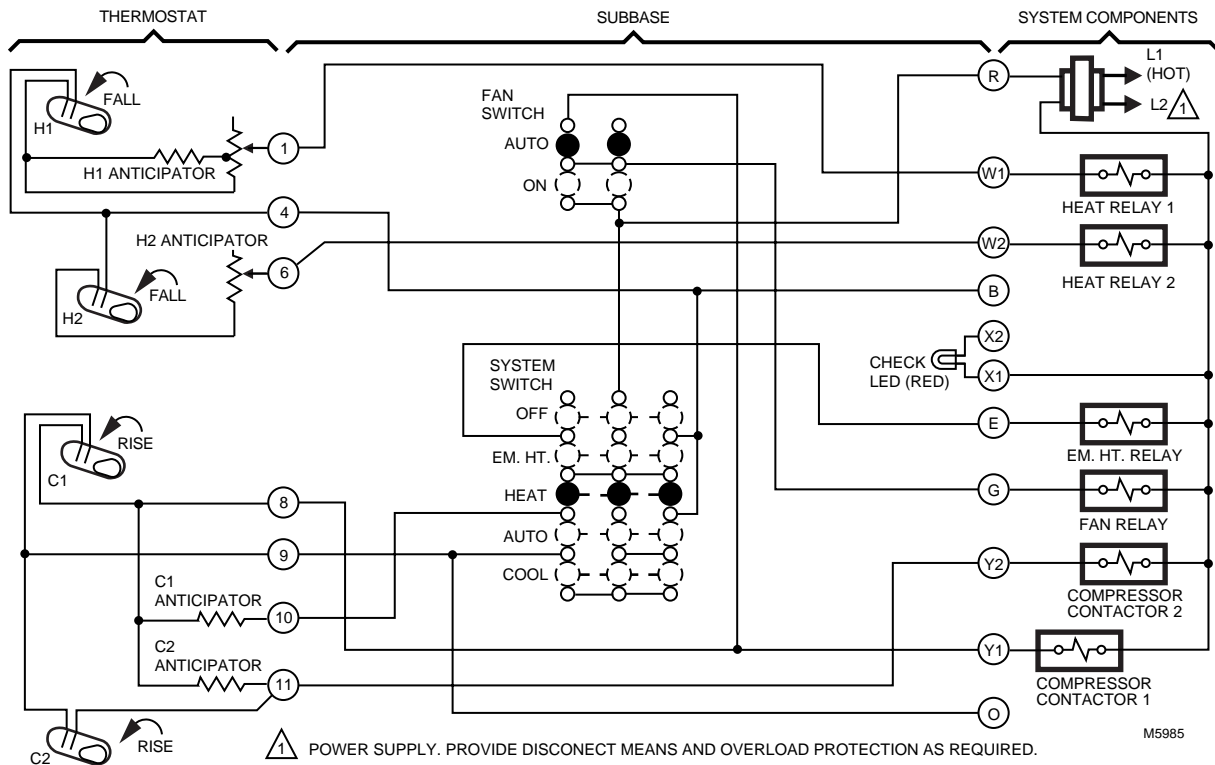


Fig. 142. Schematic and hookup of T874C,D with Q674F. Used in standard applications.

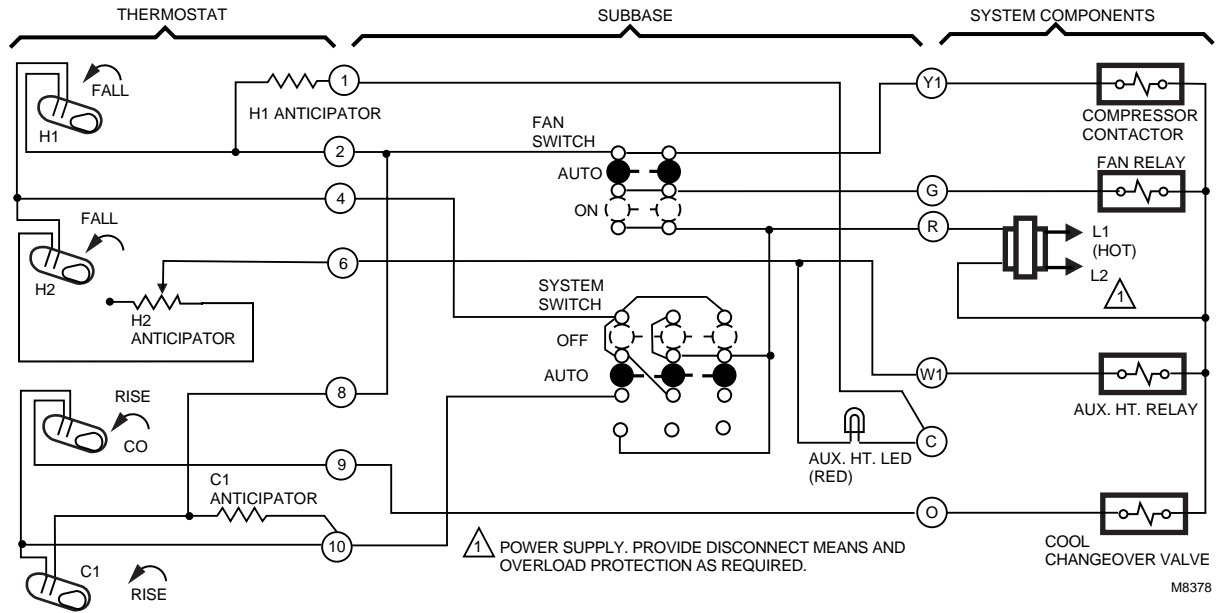


Fig. 143. Schematic and hookup of T874G with Q674B. Used in heat pump applications.

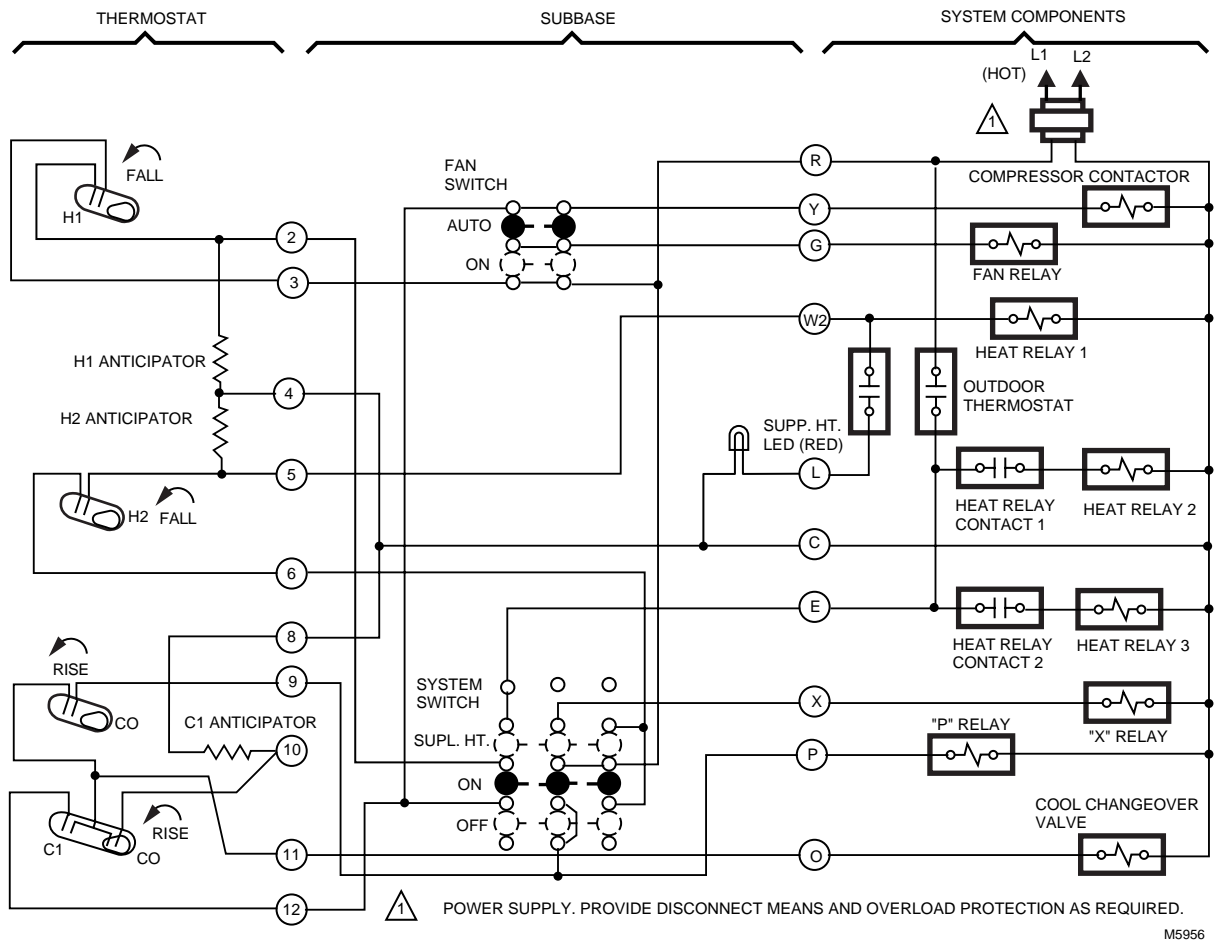


Fig. 144. Schematic and hookup of T874J with Q674J. Used in heat pump applications.

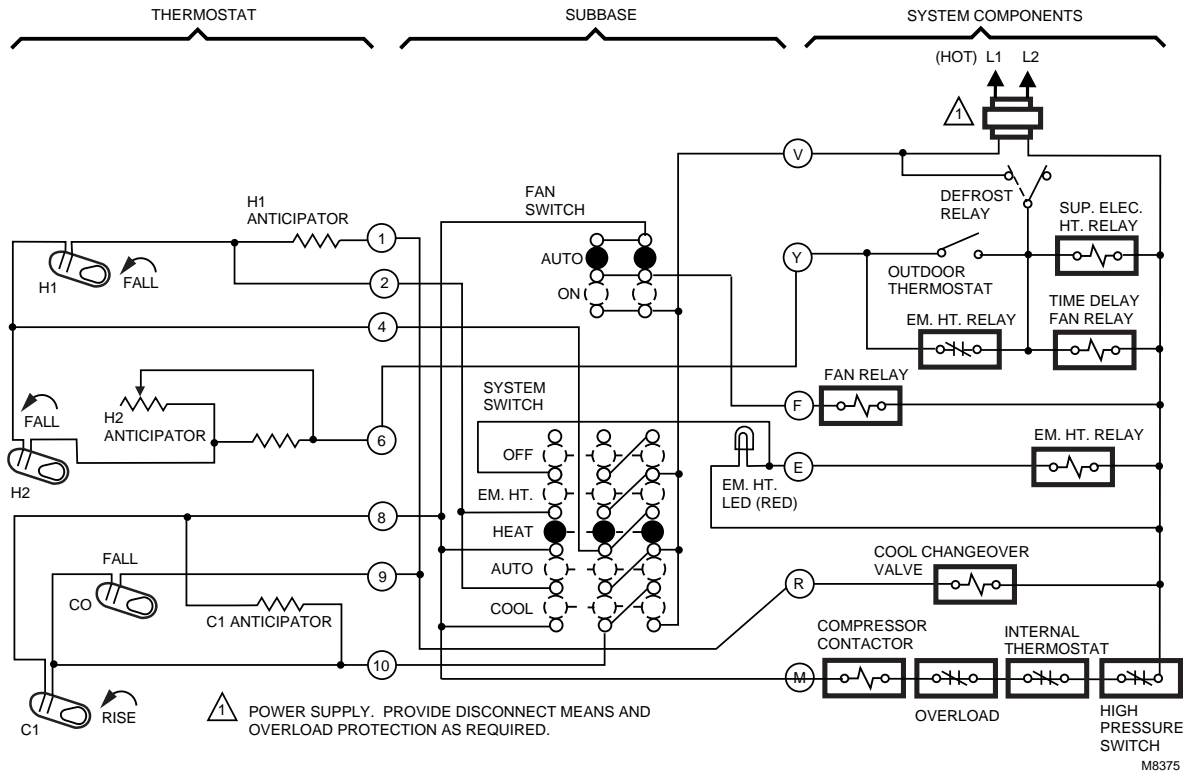


Fig. 145. Schematic and hookup of T874G with Q674F. Used in heat pump applications.

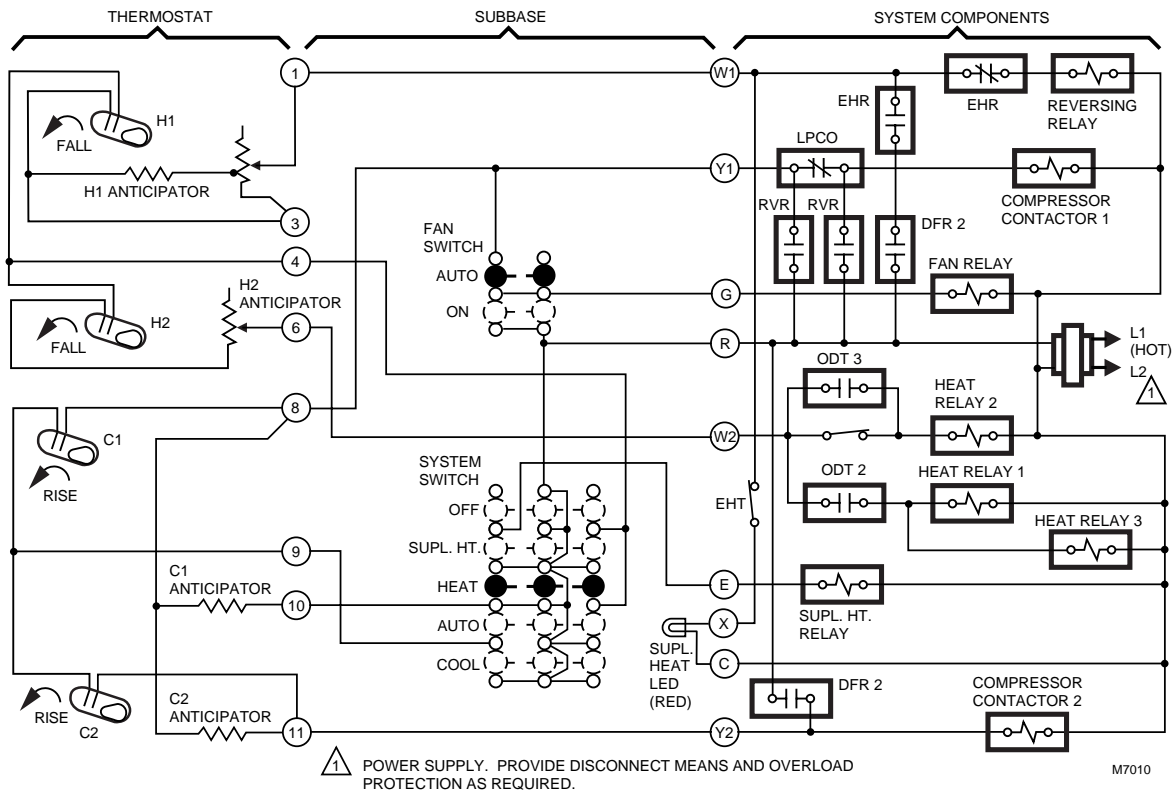


Fig. 146. Schematic and hookup of T874D with Q674F. Used in heat pump applications.

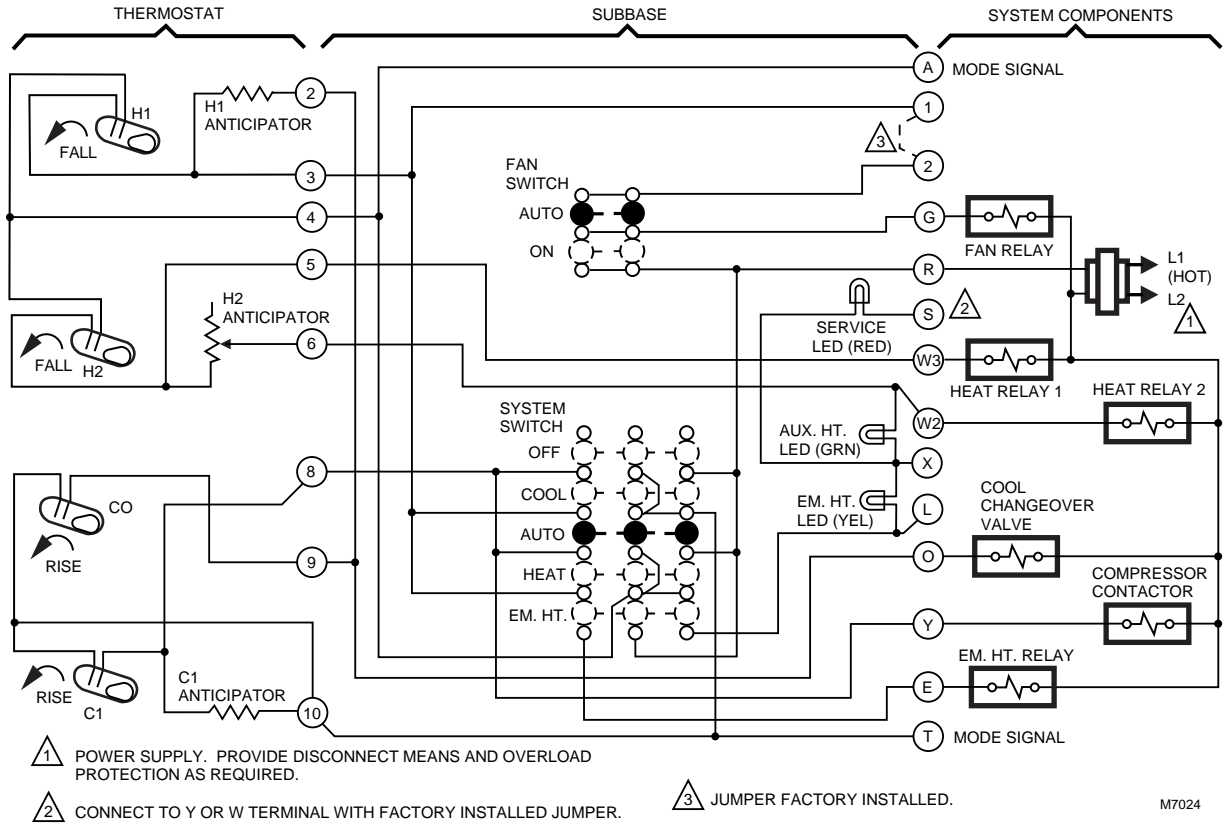


Fig. 147. Schematic and hookup of T874G with Q674F. Used in heat pump applications.

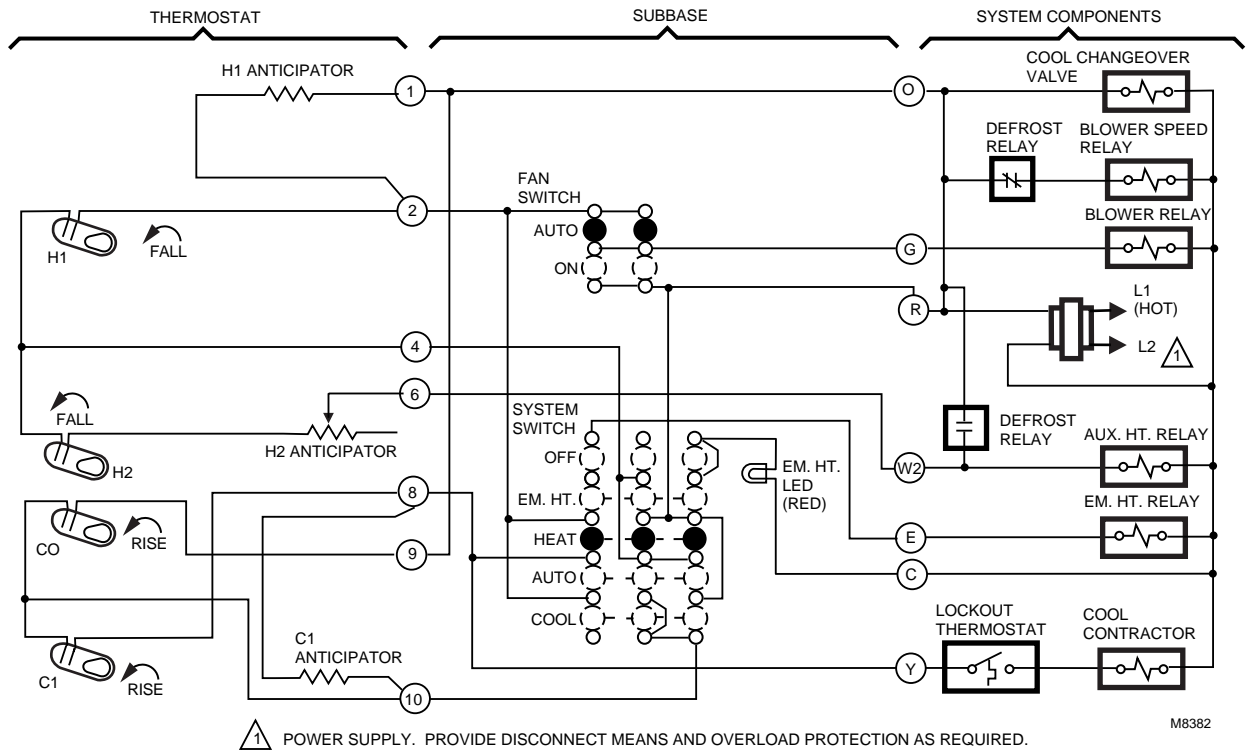


Fig. 148. Schematic and hookup of T874G with Q674F. Used in heat pump applications.

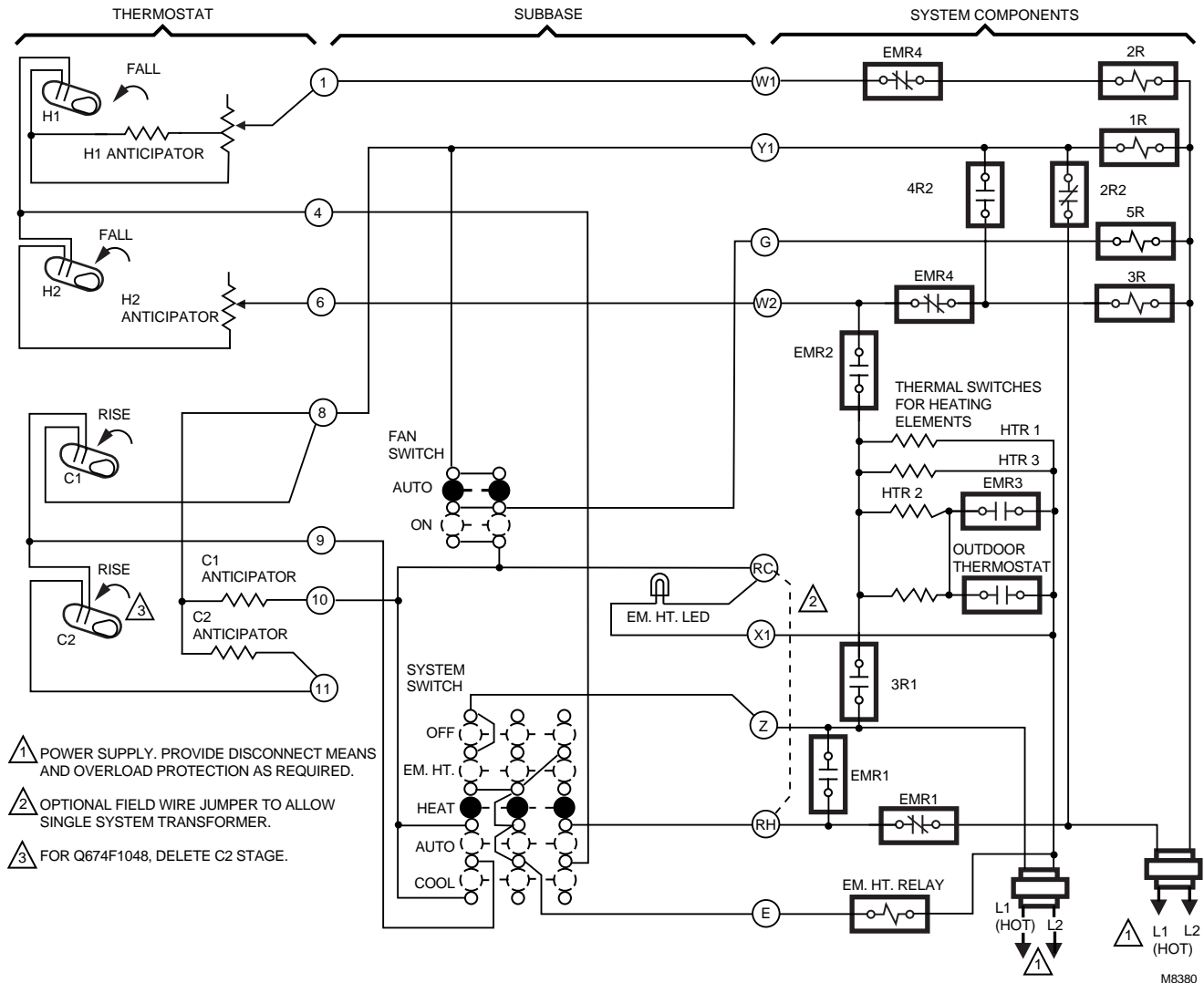
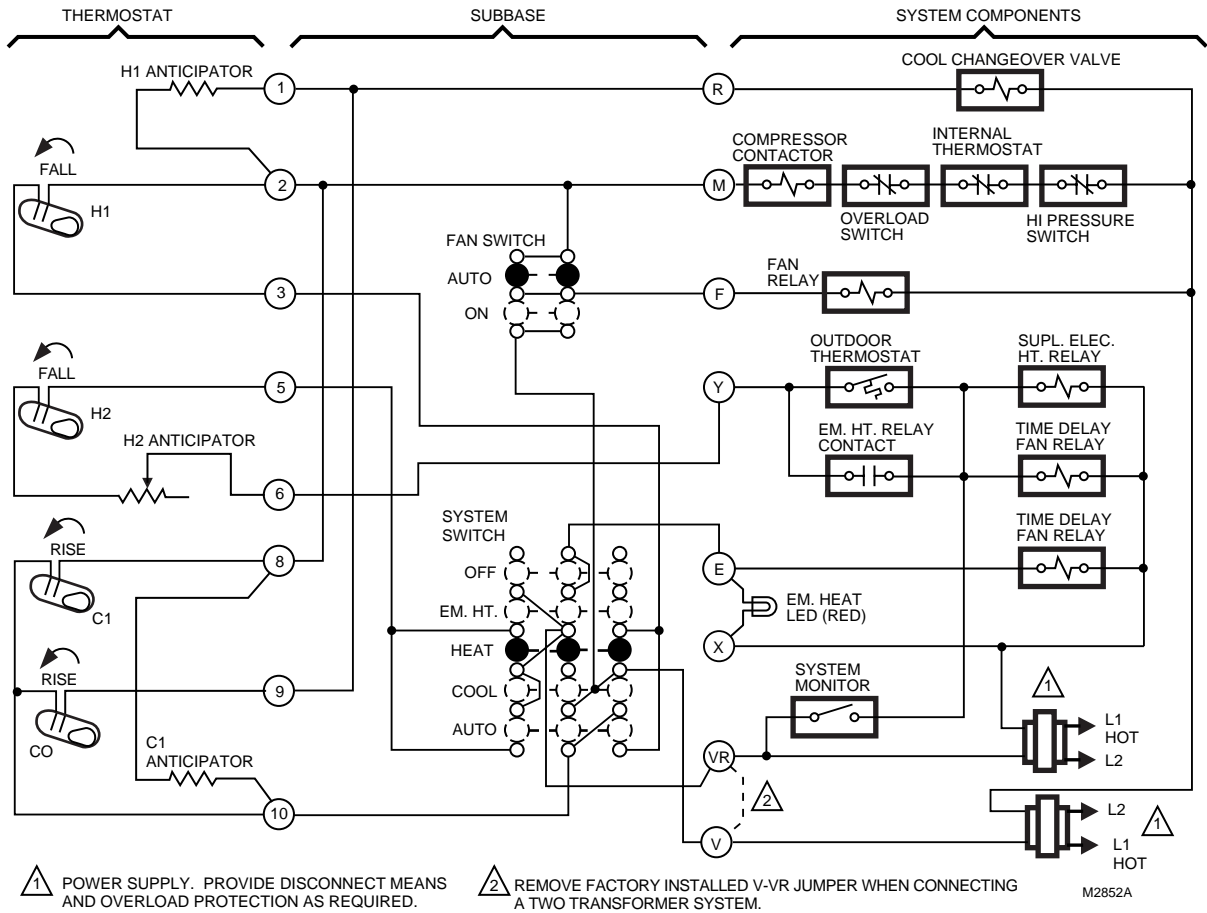


Fig. 149. Schematic and hookup of T874C with Q674F. Used in heat pump applications.





**Fig. 150. Schematic and hookup of T874G with Q674F. Used in heat pump applications.**

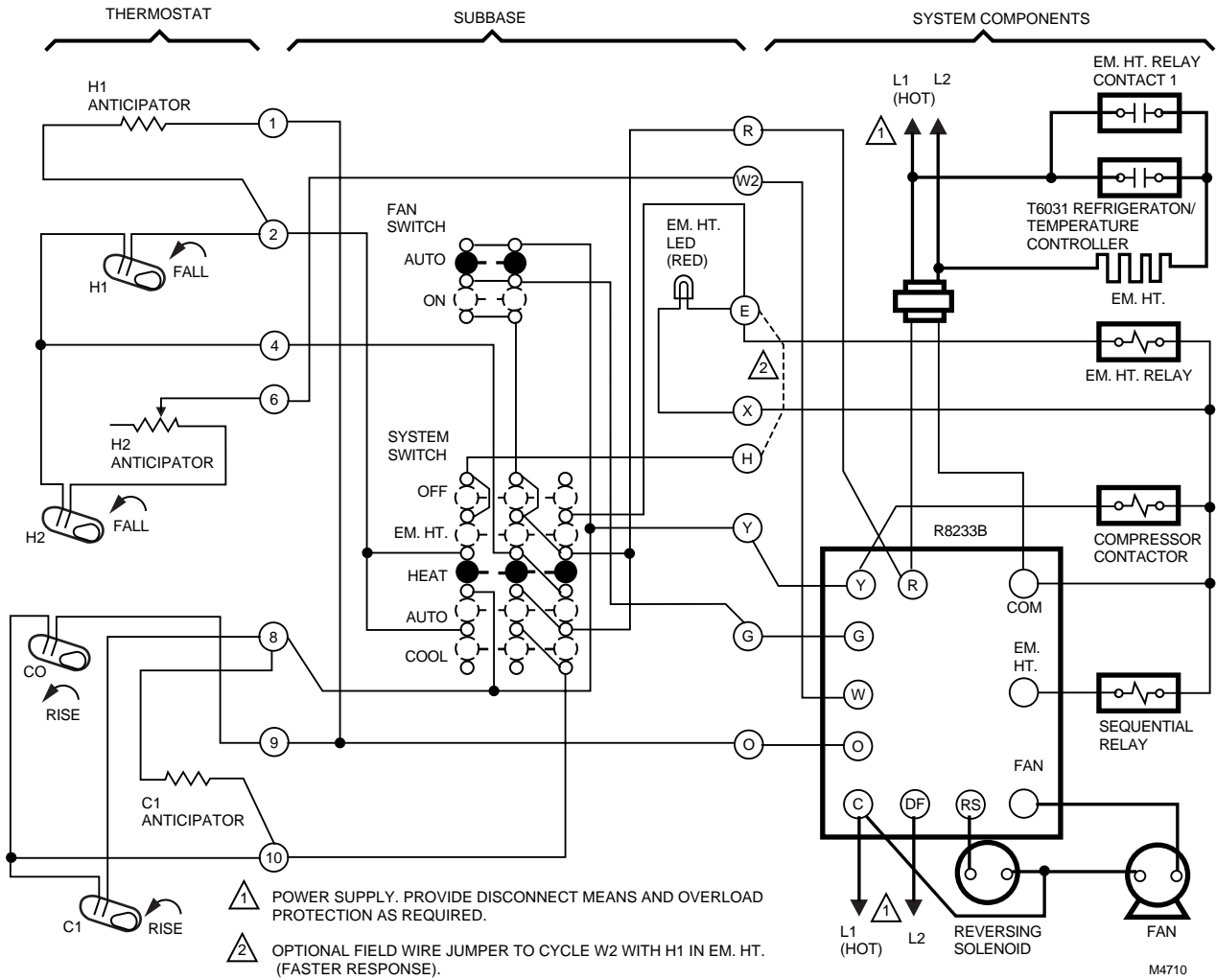


Fig. 151. Schematic and hookup of T874G with Q674F. Used in heat pump applications.

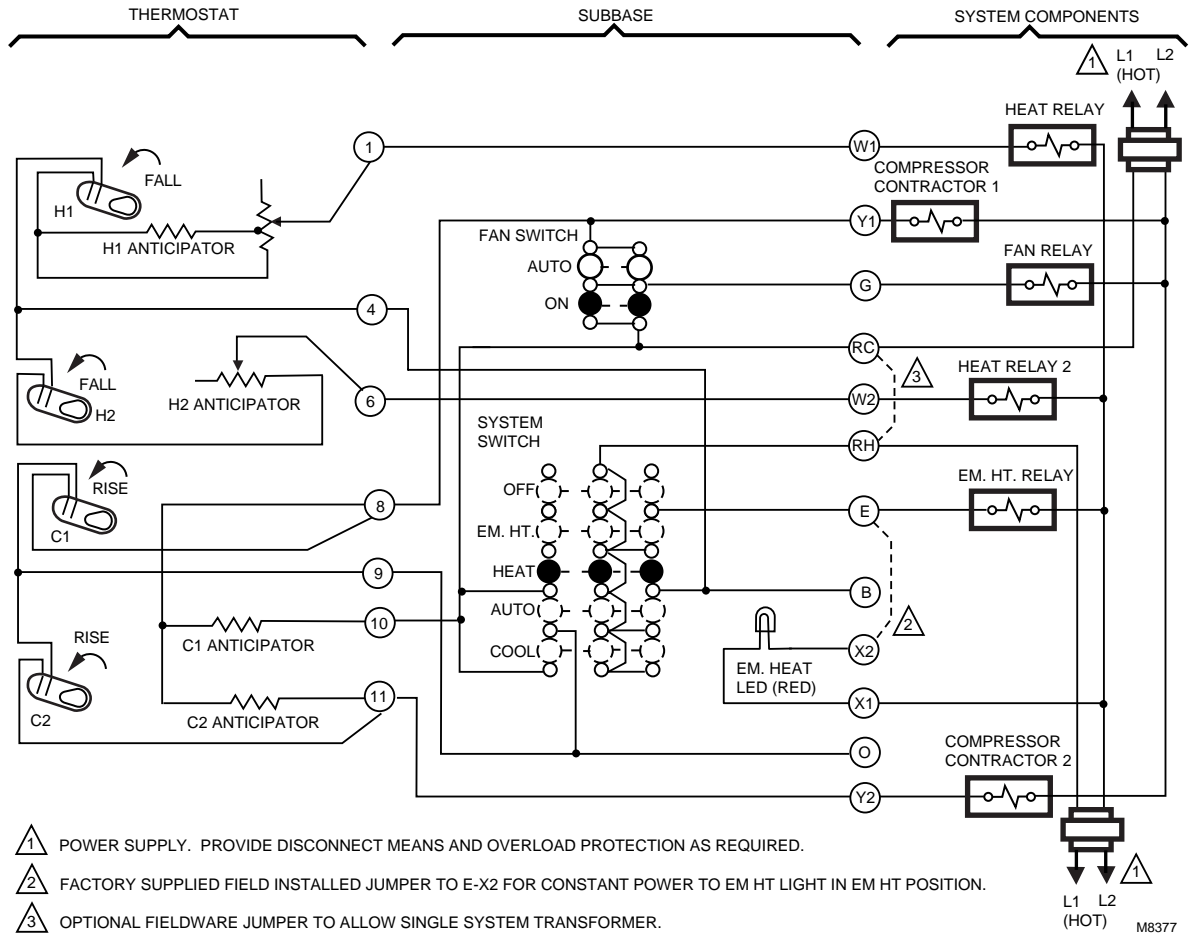


Fig. 152. Schematic and hookup of T874D with Q674F. Used in standard applications.

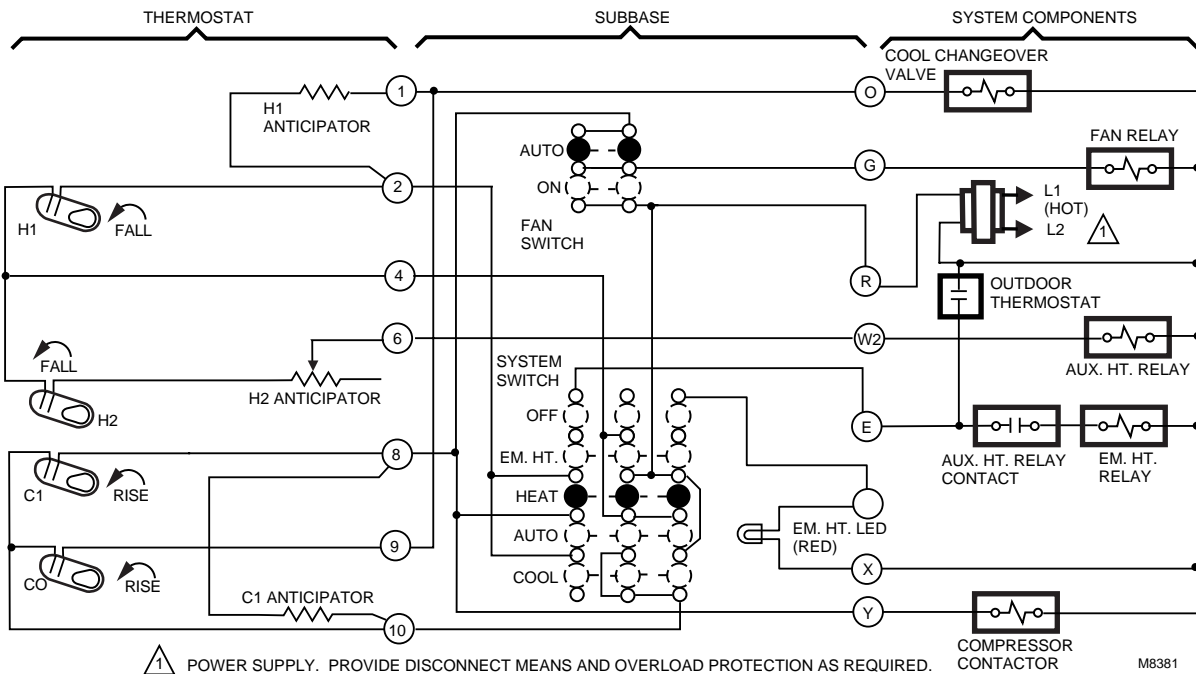


Fig. 153. Schematic and hookup of T874G with Q674F. Used in heat pump applications.

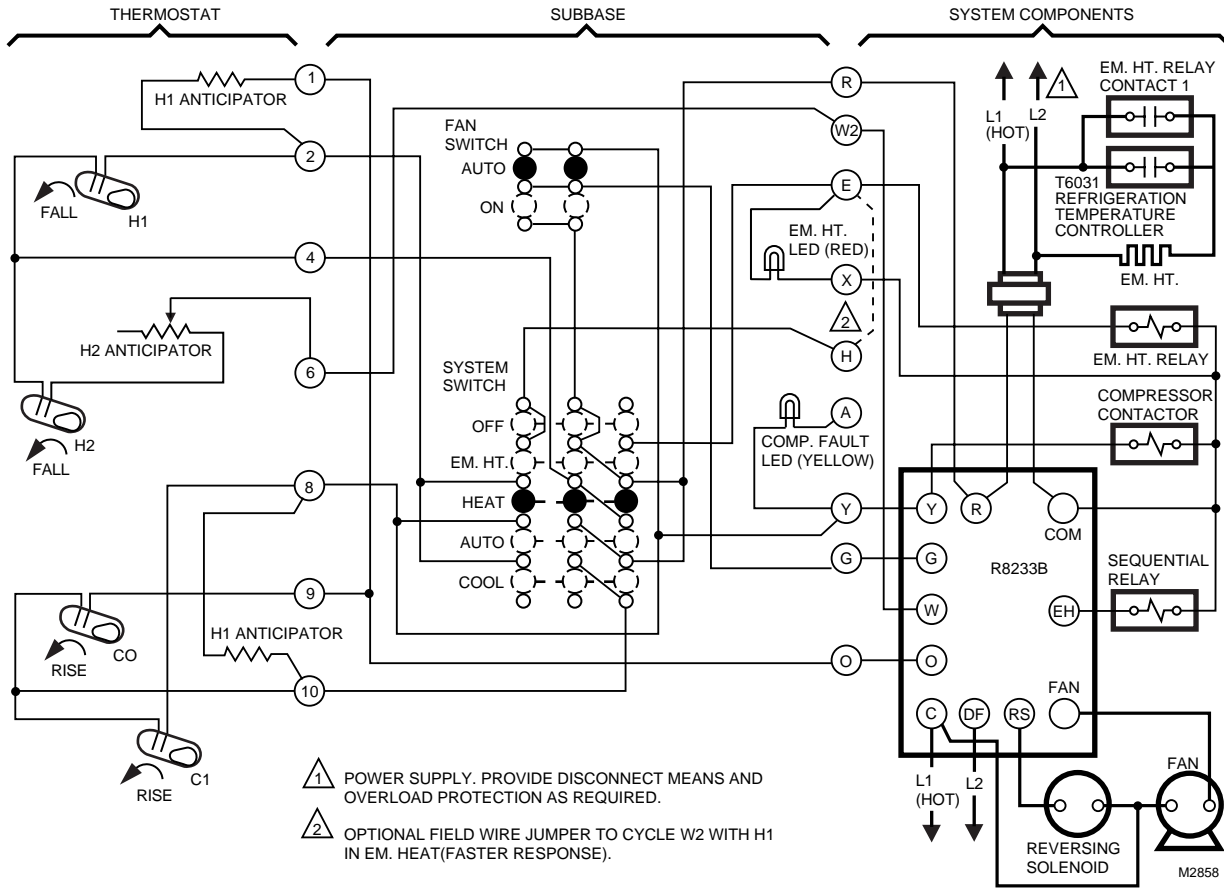


Fig. 154. Schematic and hookup of T874G with Q674F. Used in heat pump applications.

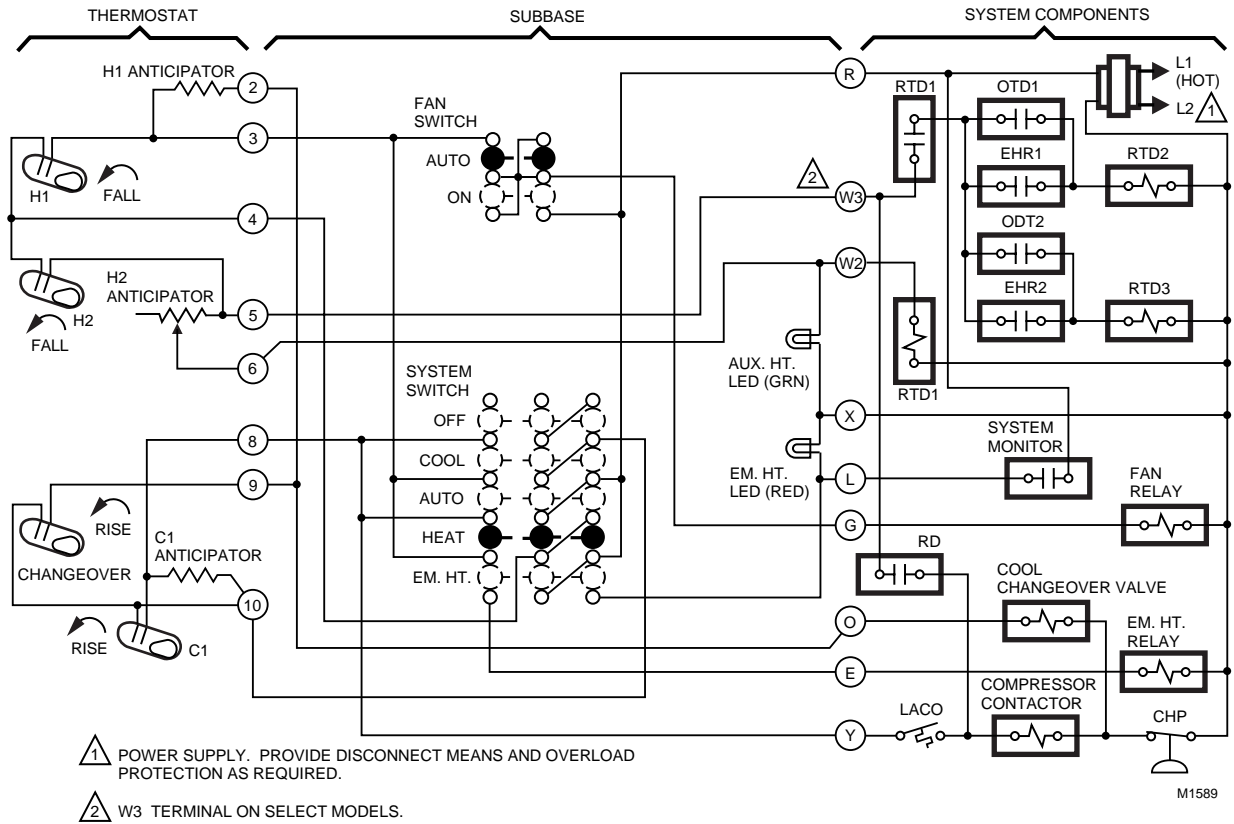


Fig. 155. Schematic and hookup of T874G with Q674F. Used in heat pump applications.

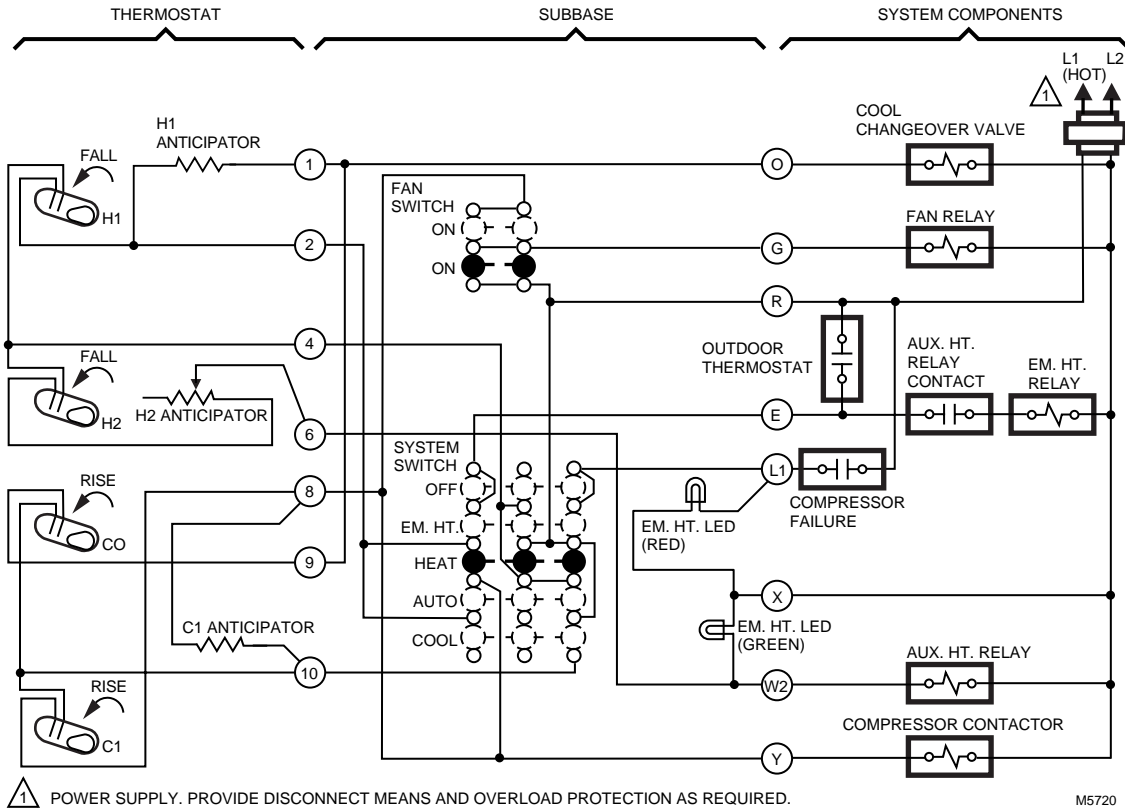


Fig. 156. Schematic and hookup of T874G with Q674F. Used in heat pump applications.

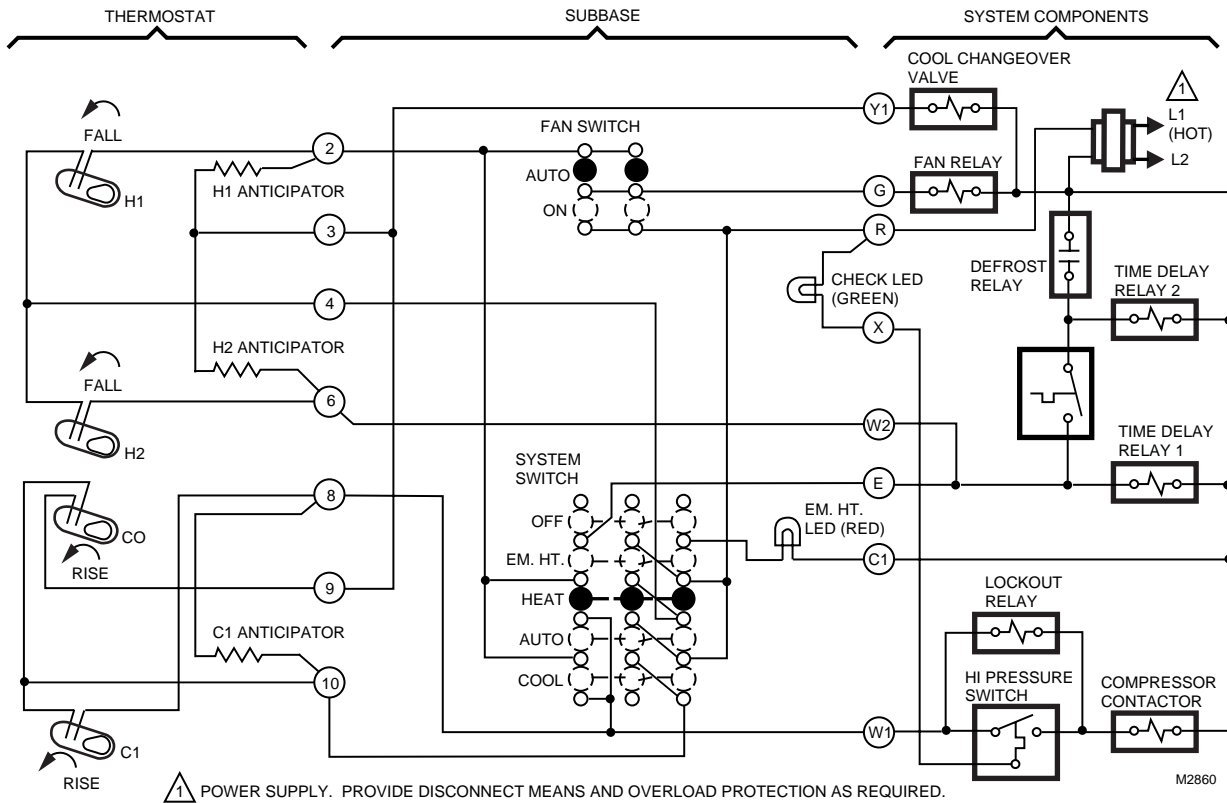


Fig. 157. Schematic and hookup of T874G with Q674F. Used in heat pump applications.

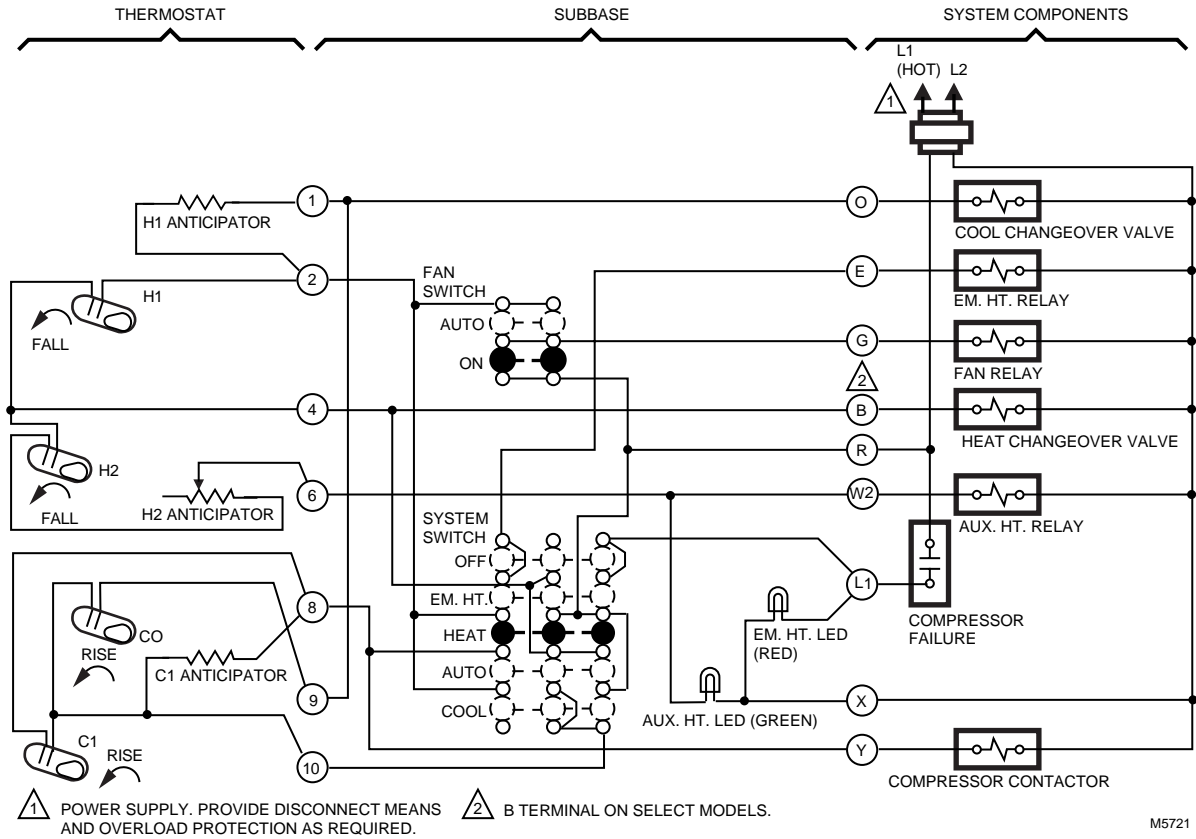


Fig. 158. Schematic and hookup of T874G with Q674F. Used in heat pump applications.

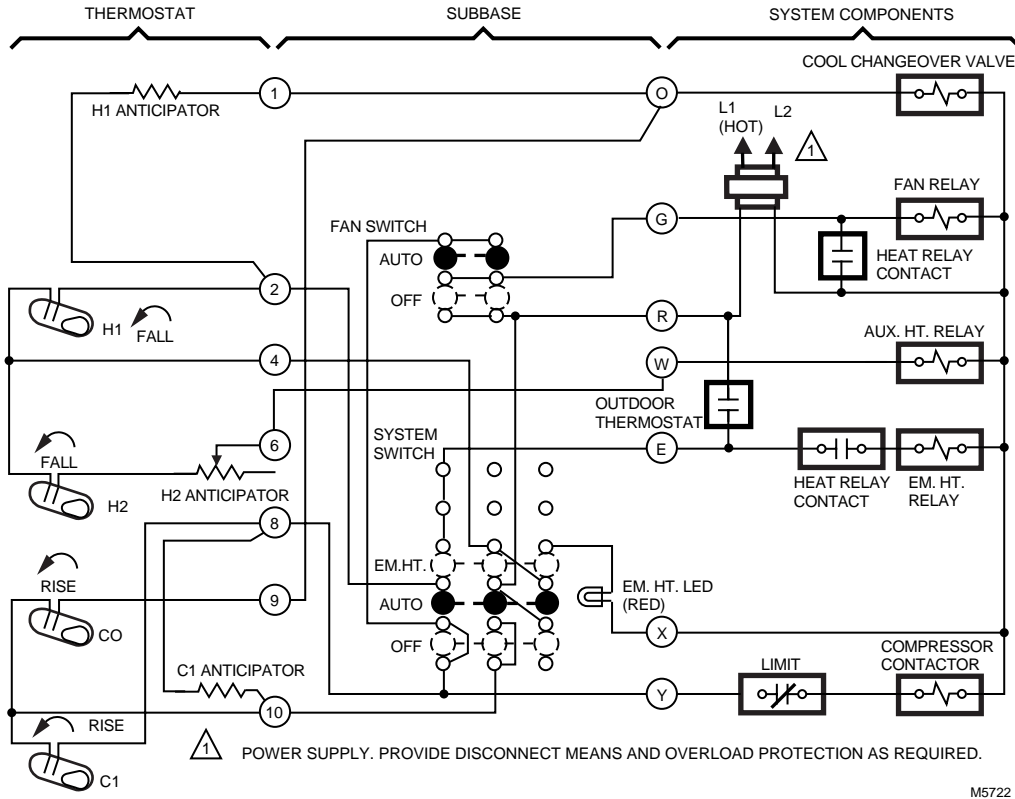


Fig. 159. Schematic and hookup of T874G with Q674J. Used in heat pump applications.

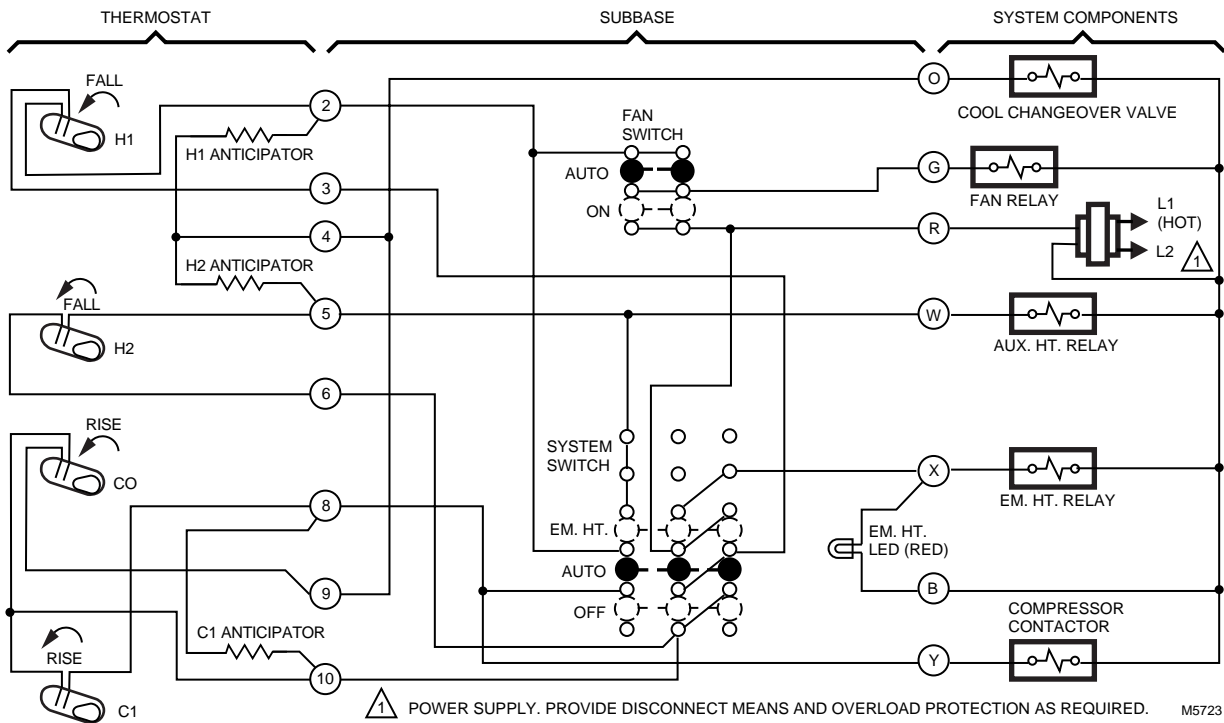
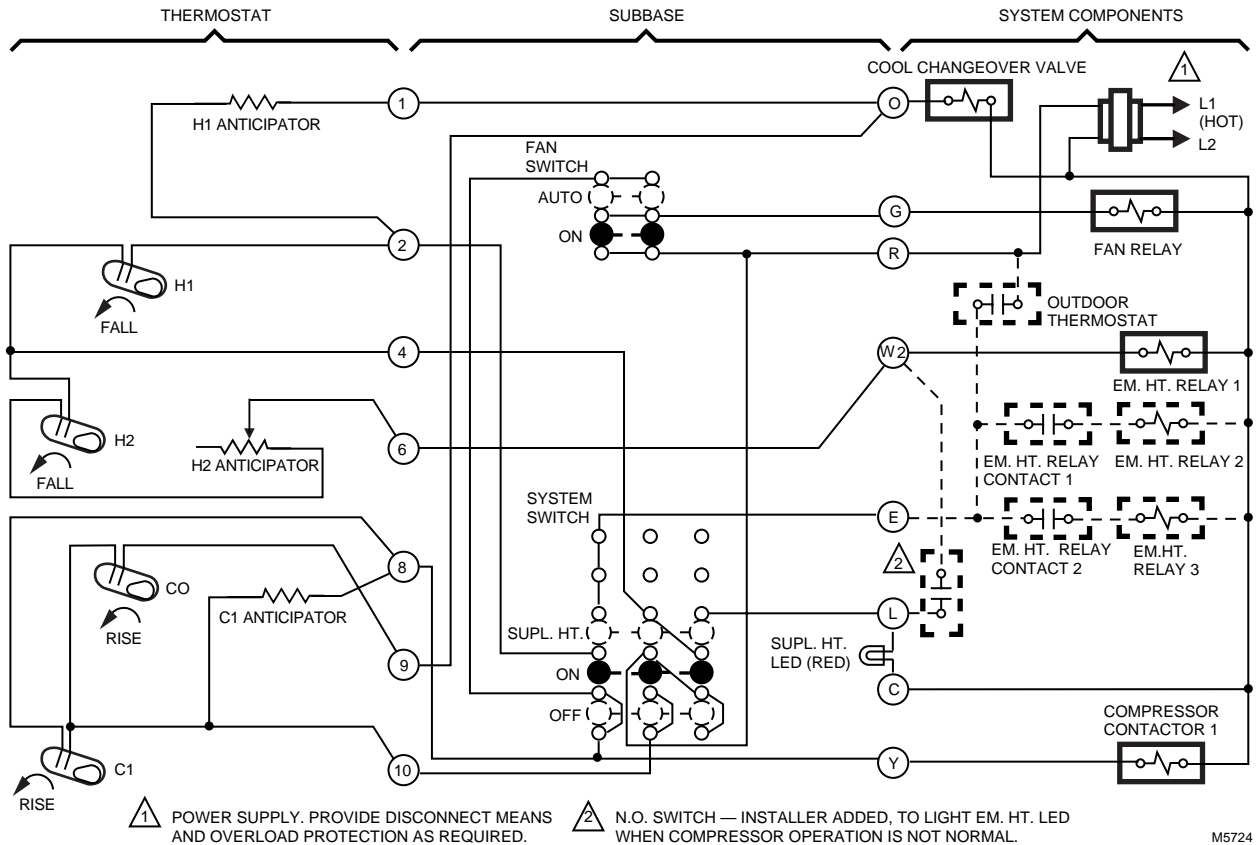


Fig. 160. Schematic and hookup of T874G with Q674J. Used in heat pump applications.





M5724

Fig. 161. Schematic and hookup of T874G with Q674J. Used in heat pump applications.

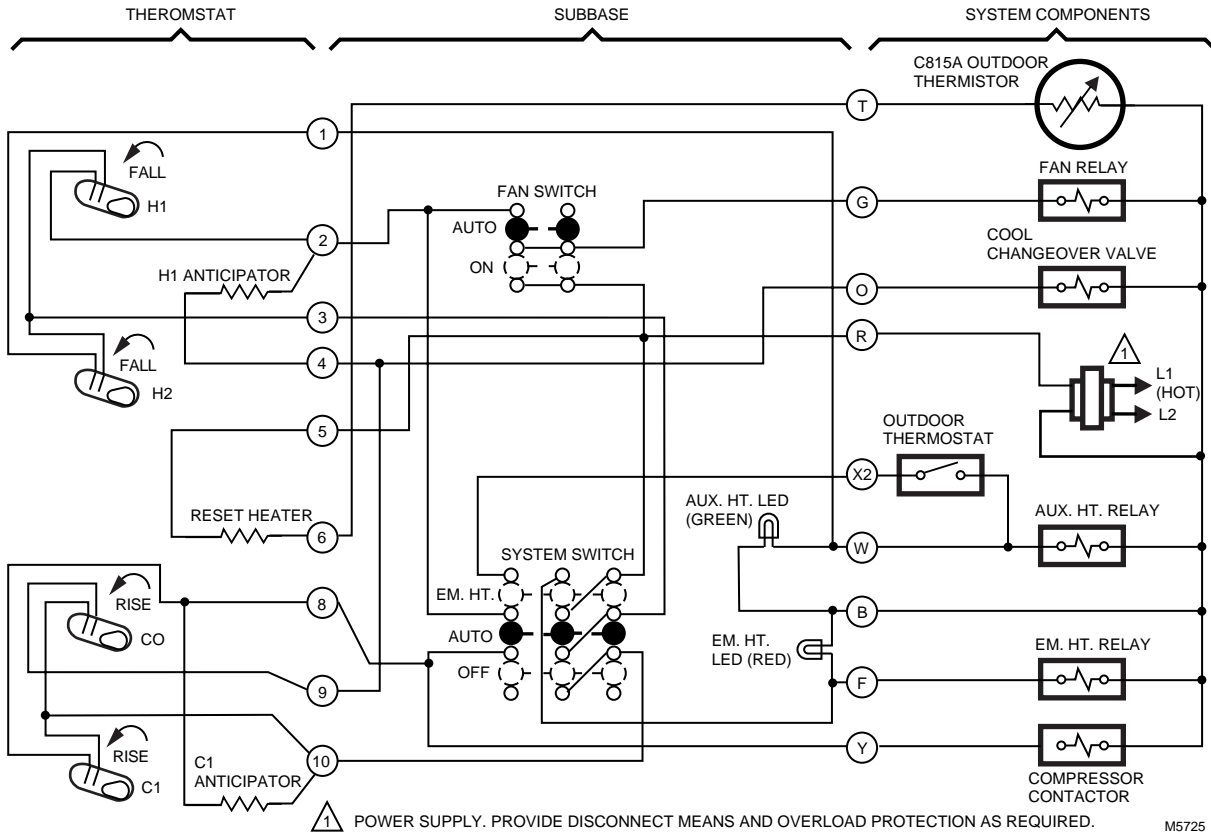


Fig. 162. Schematic and hookup of T874G with Q674J. Used in heat pump applications.

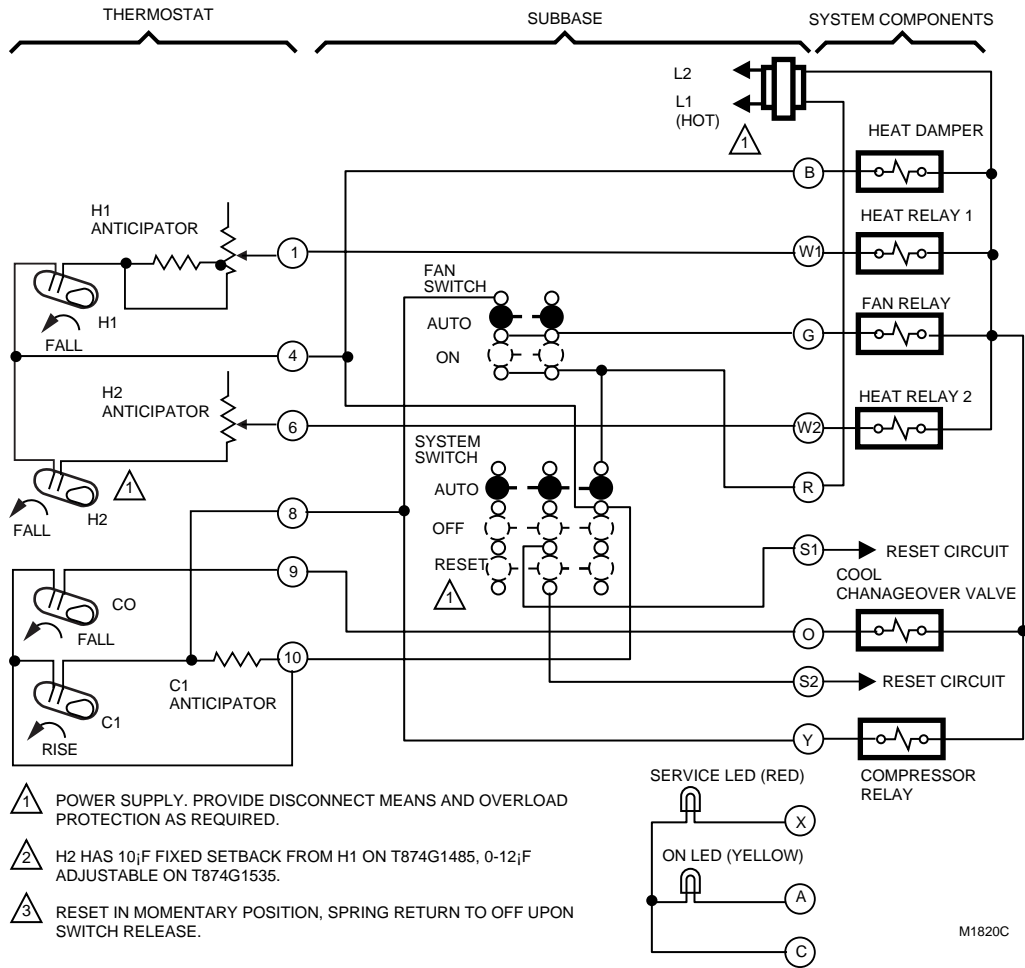


Fig. 163. Schematic and hookup of T874G with Q674C. Used in standard applications.

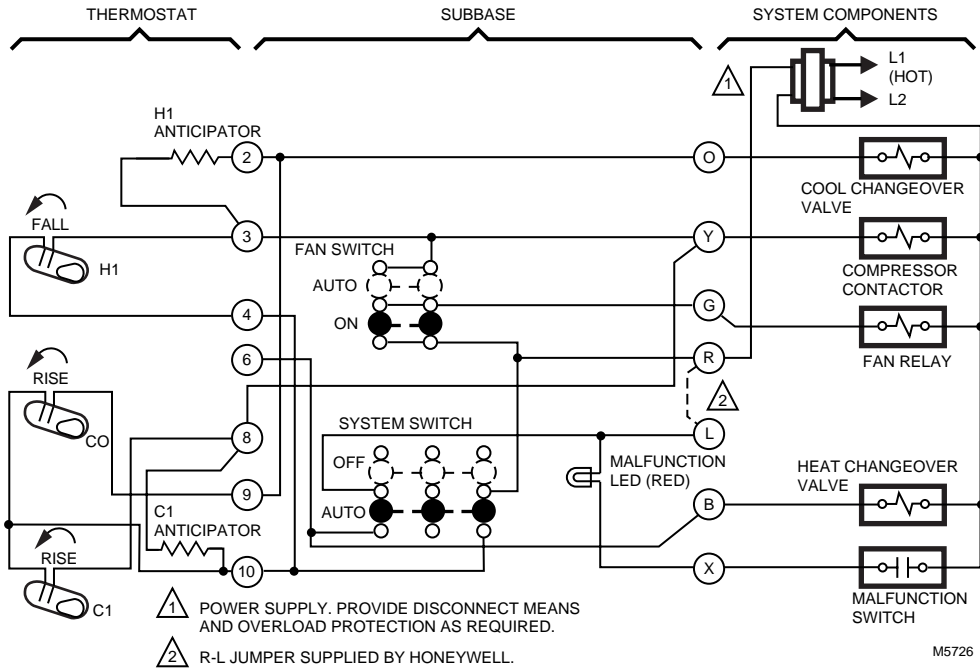


Fig. 164. Schematic and hookup of T874H with Q674C. Used in standard applications.

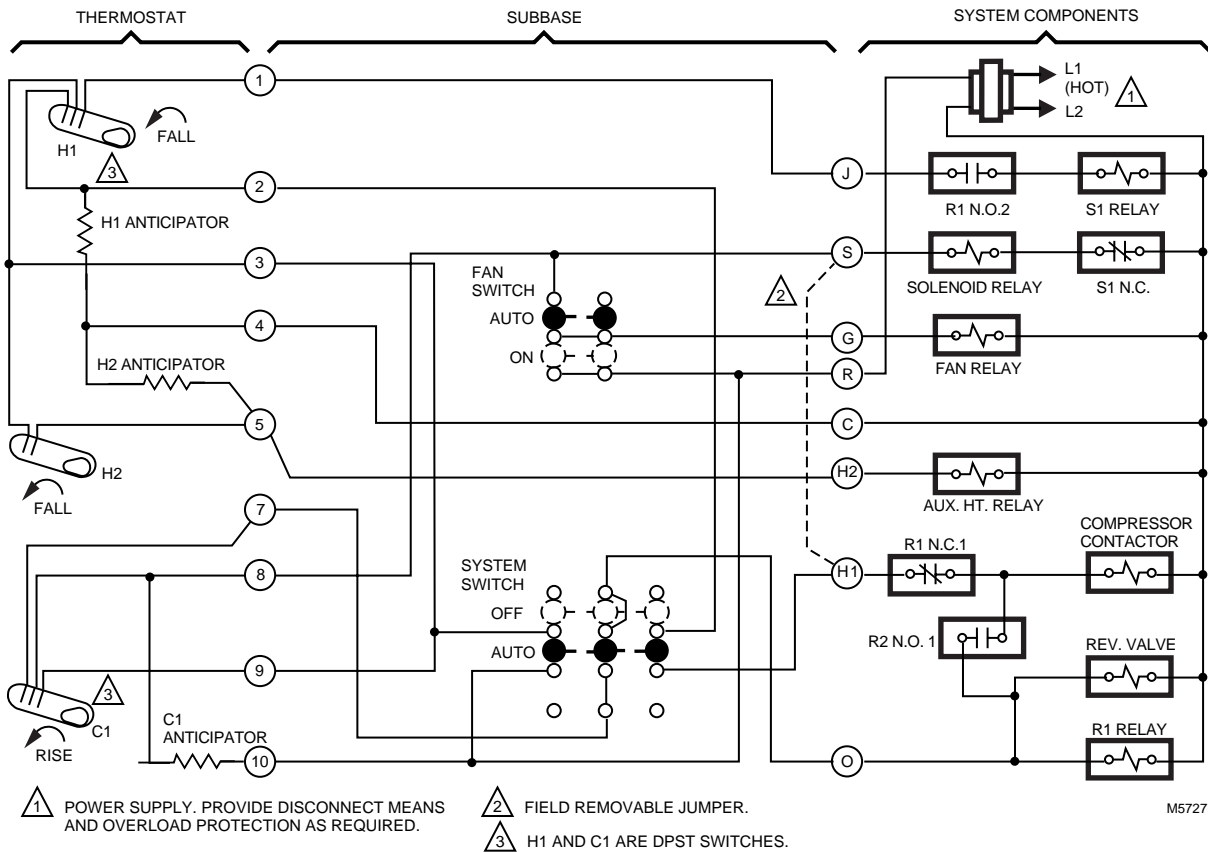


Fig. 165. Schematic and hookup of T874L with Q674C. Used in heat pump applications.

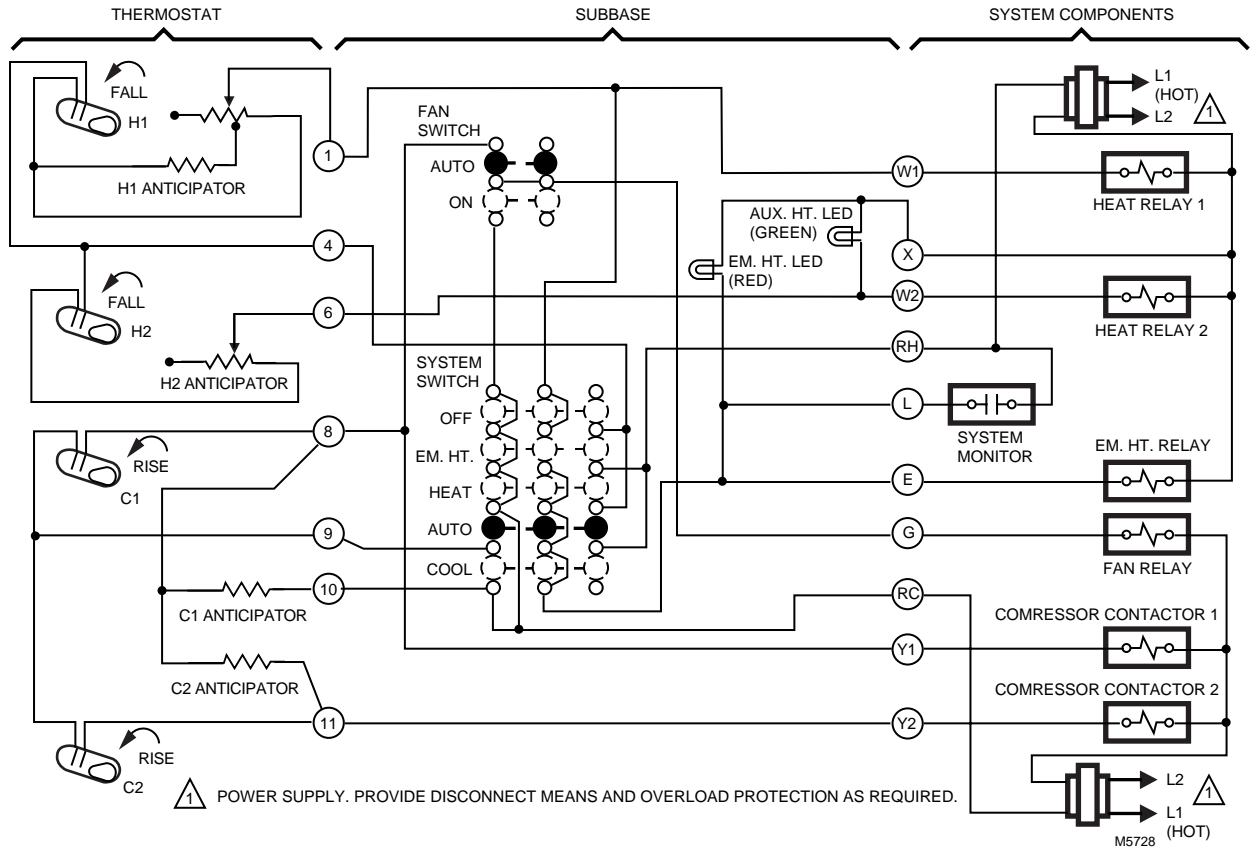


Fig. 166. Schematic and hook-up of T874D with Q674F. Used in standard applications.

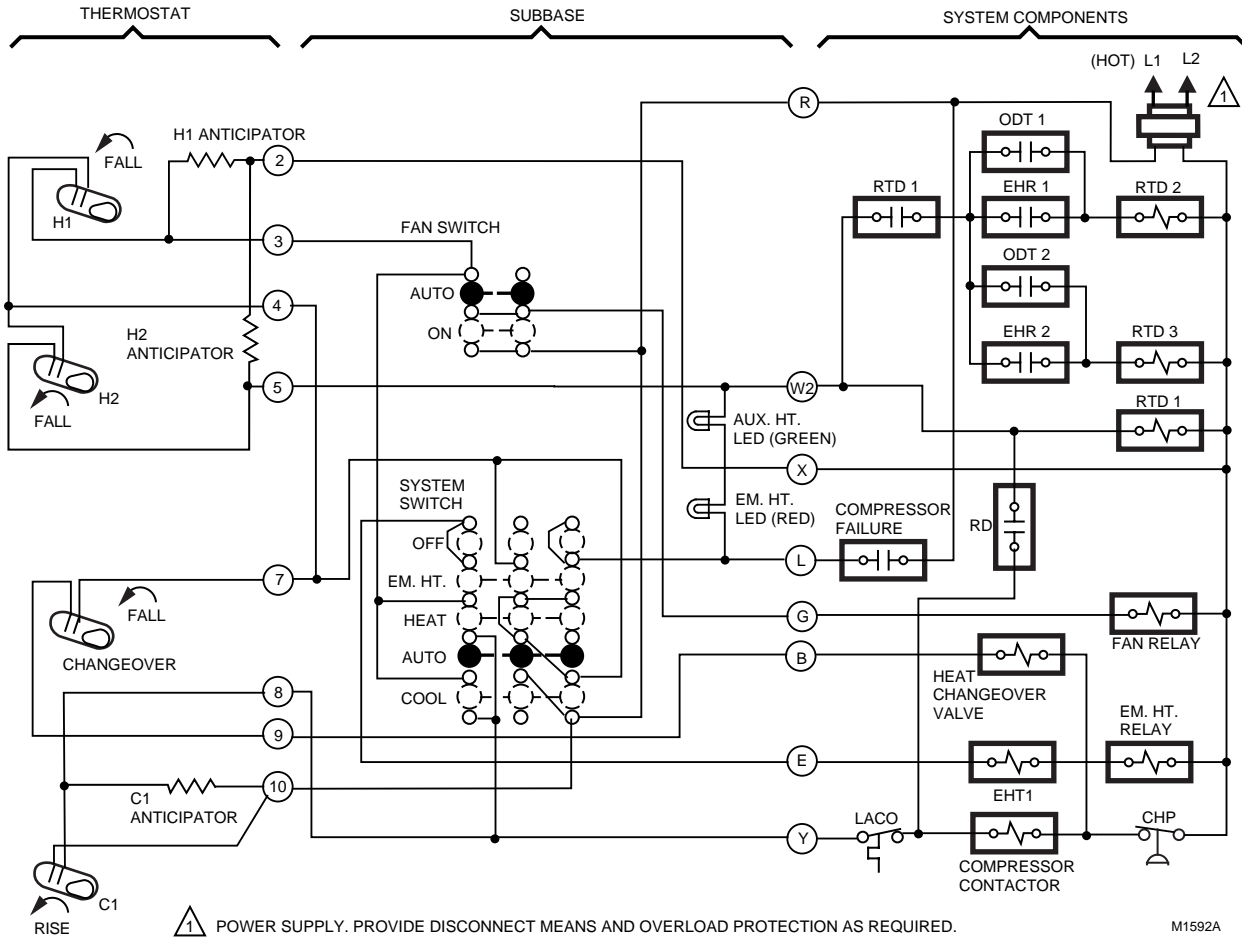


Fig. 167. Schematic and hookup of T874G with Q674F. Used in heat pump applications.

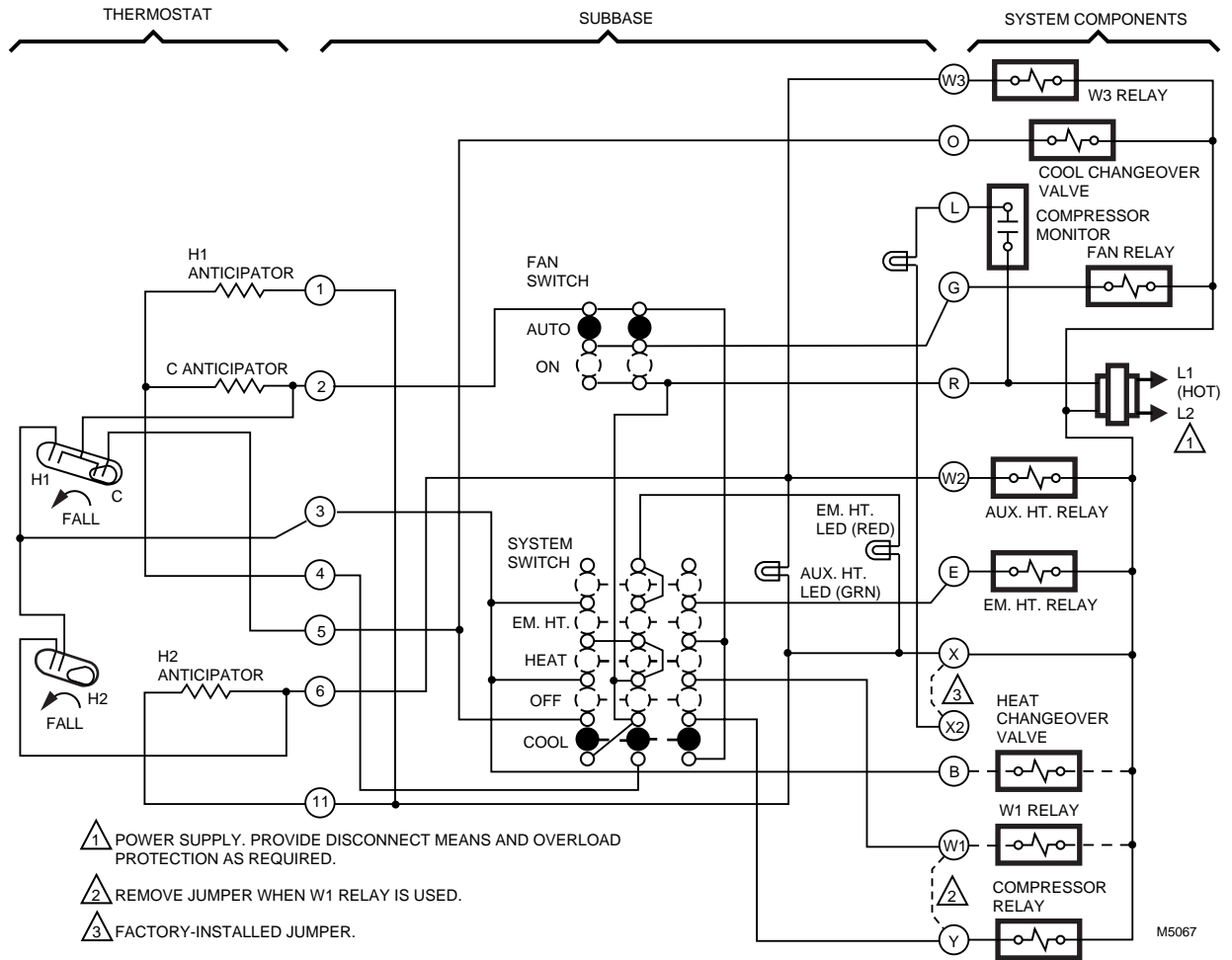


Fig. 168. Schematic and hookup of T874R with Q674L. Used in heat pump applications.

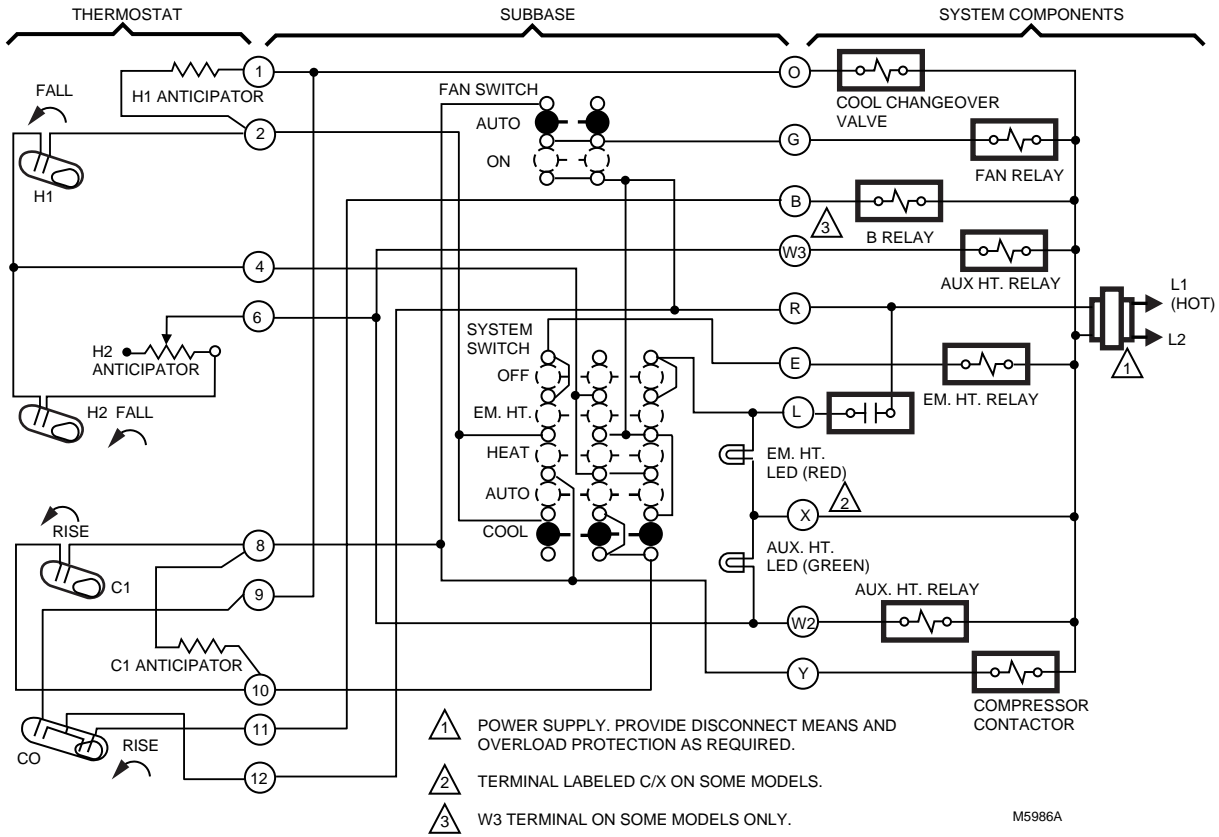


Fig. 169. Schematic and hookup of T874G with Q674F. Used in heat pump applications.



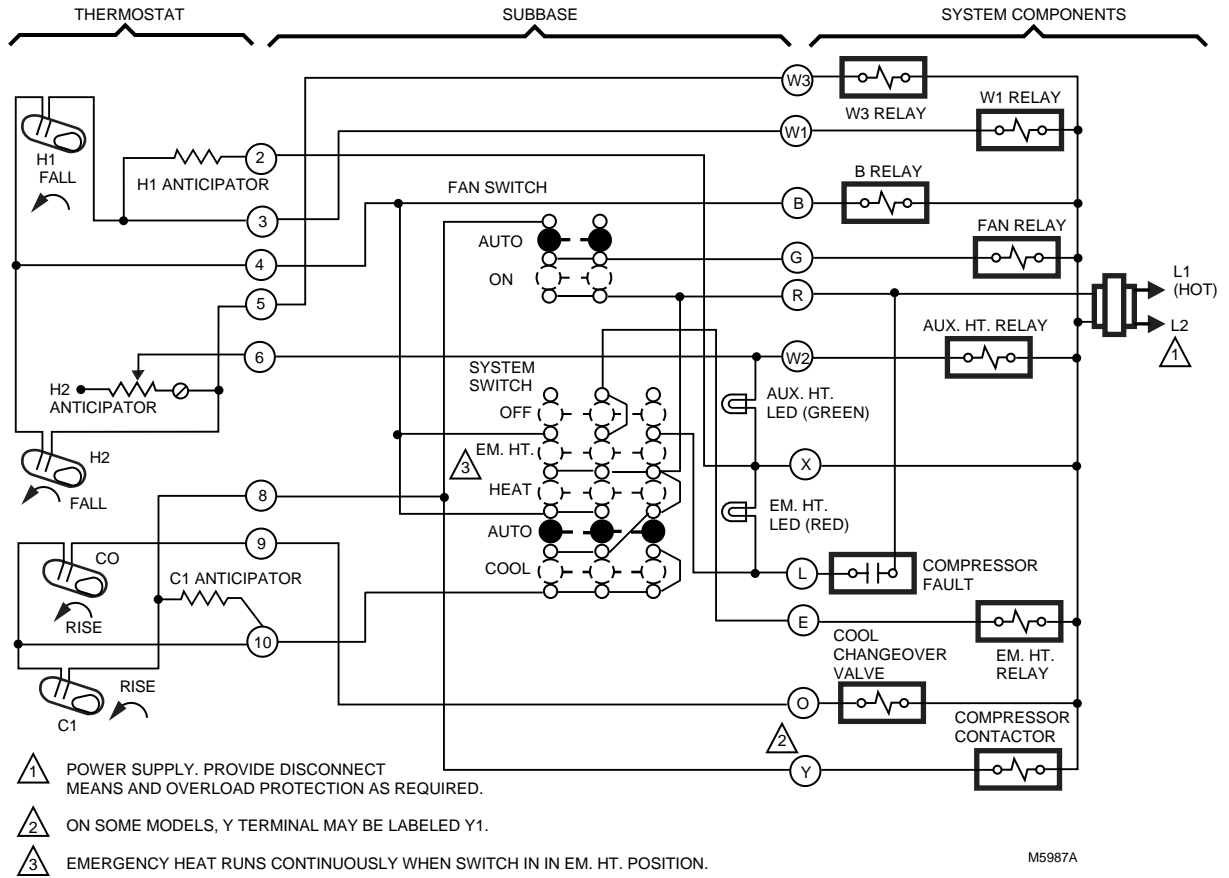


Fig. 170. Schematic and hookup of T874G with Q674F. Used in heat pump applications.

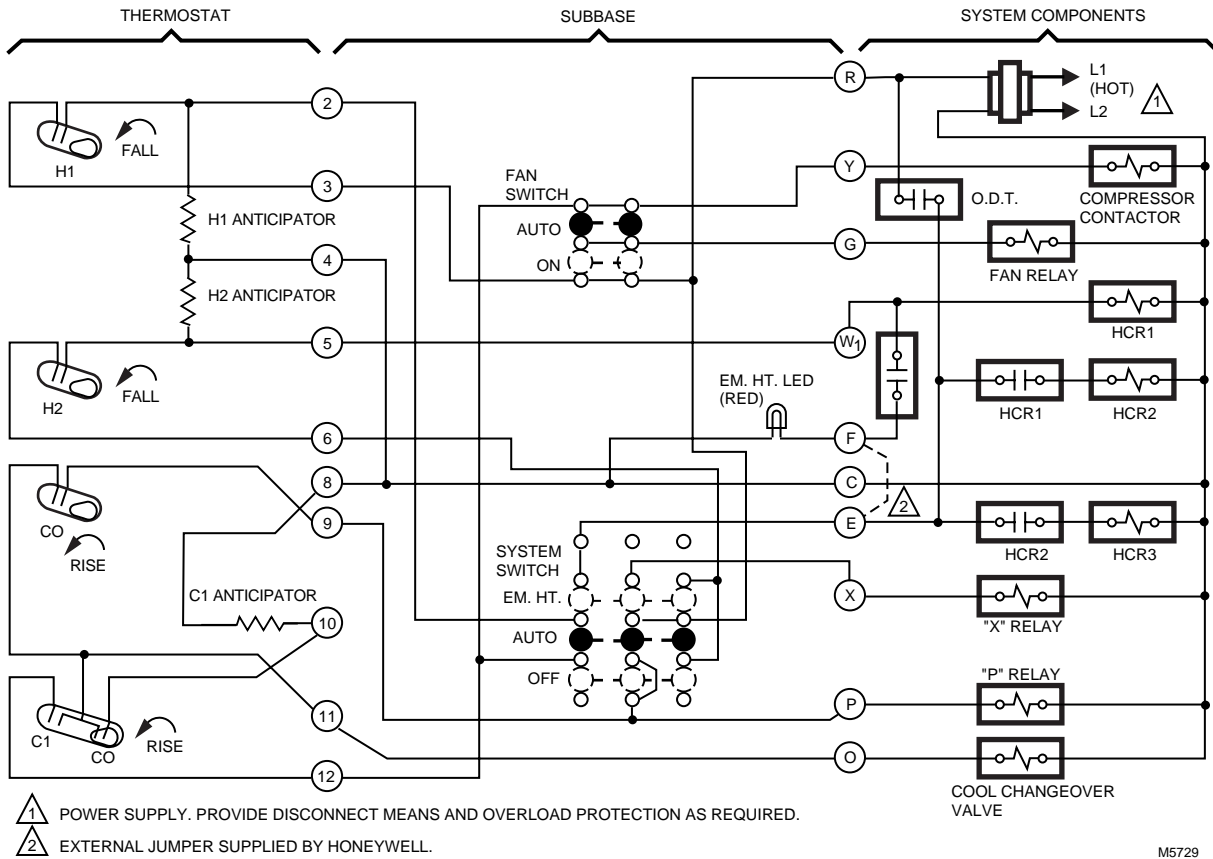


Fig. 171. Schematic and hookup of T874J with Q674J. Used in heat pump applications.

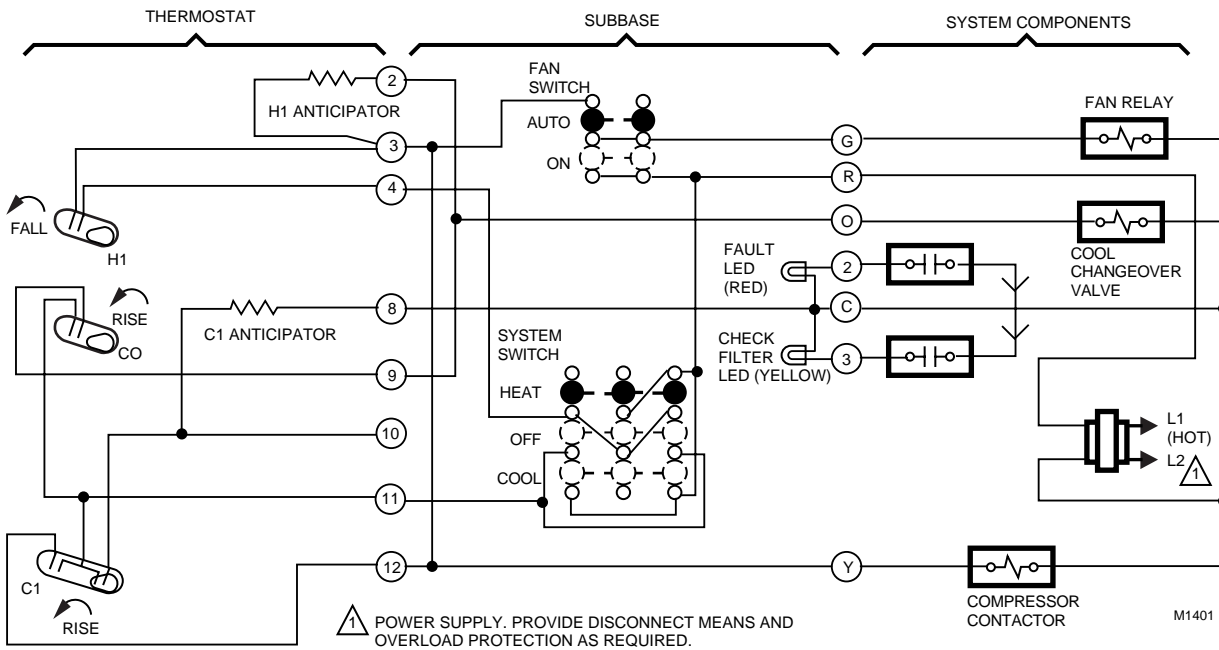


Fig. 172. Schematic and hookup of T874H with Q674B. Used in heat pump applications.

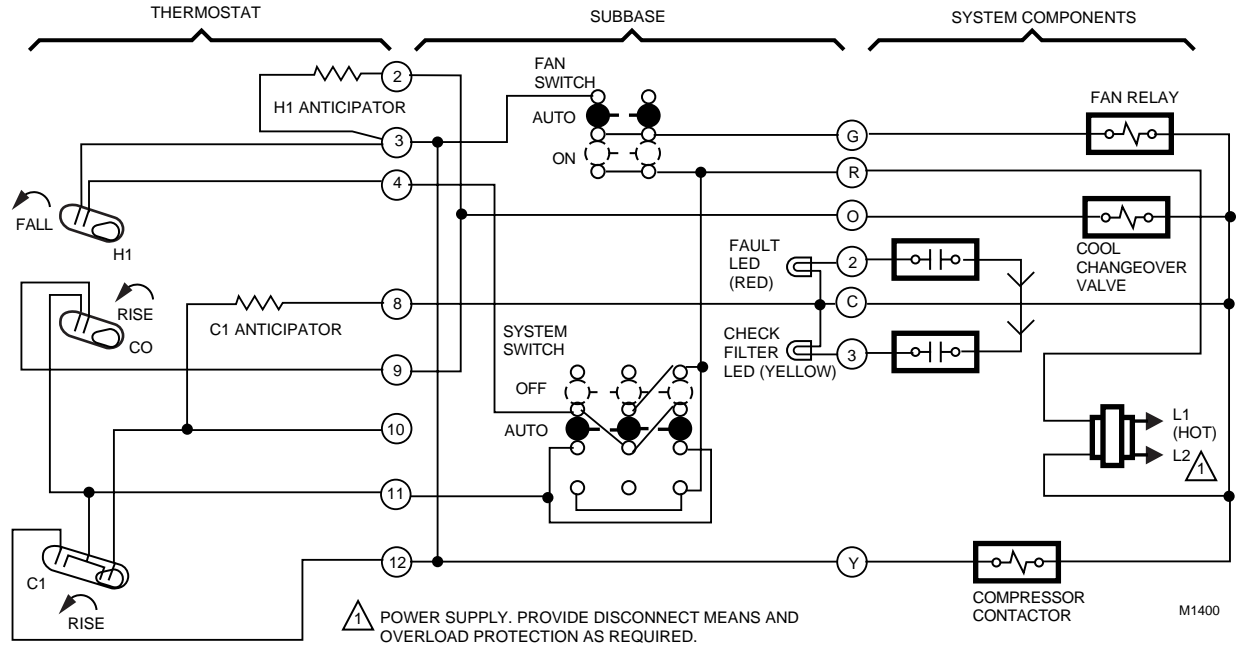


Fig. 173. Schematic and hookup of T874H with Q674C. Used in heat pump applications.

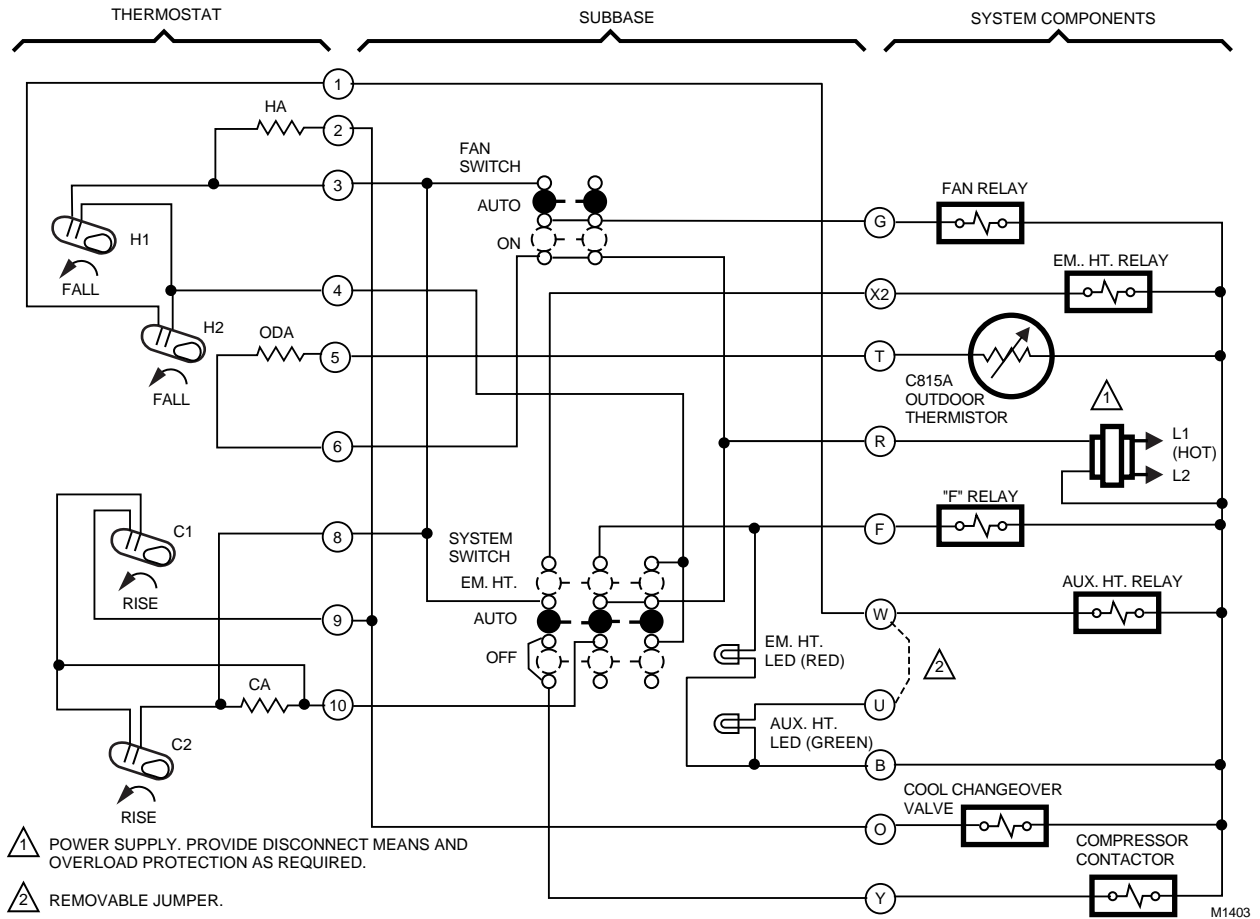


Fig. 174. Schematic and hookup of T874G with Q674J. Used in heat pump applications.

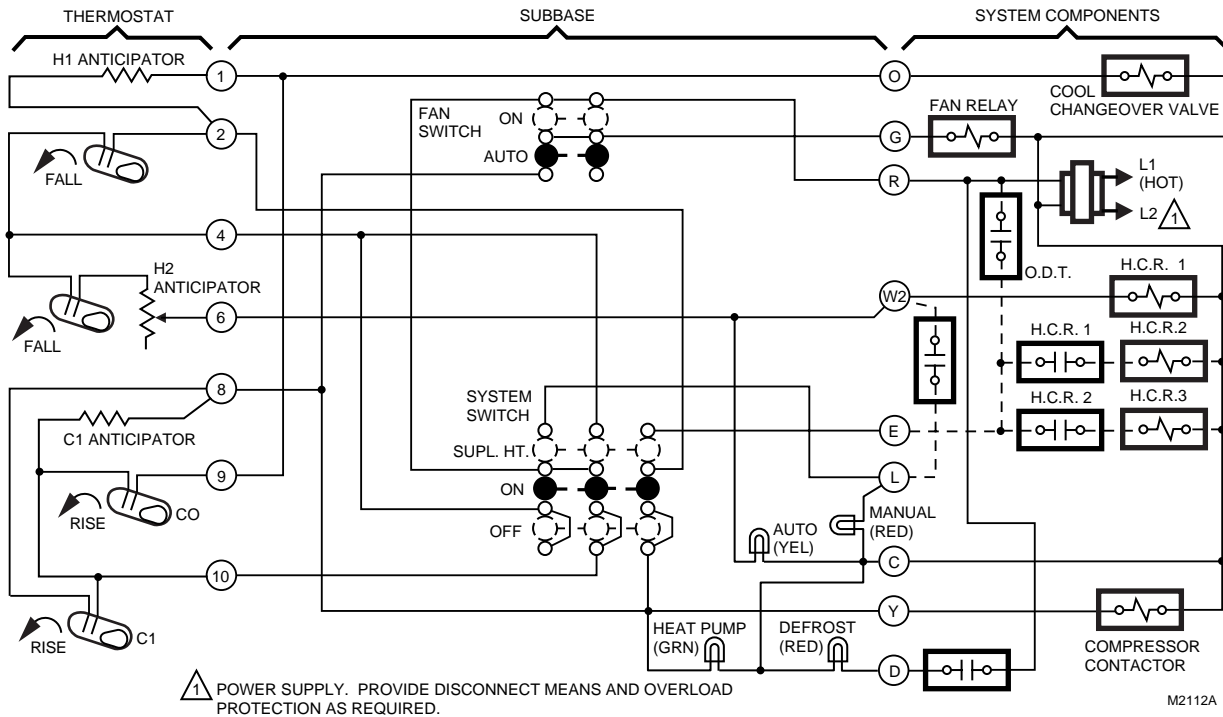


Fig. 175. Schematic and hookup of T874G with Q674J. Used in heat pump applications.

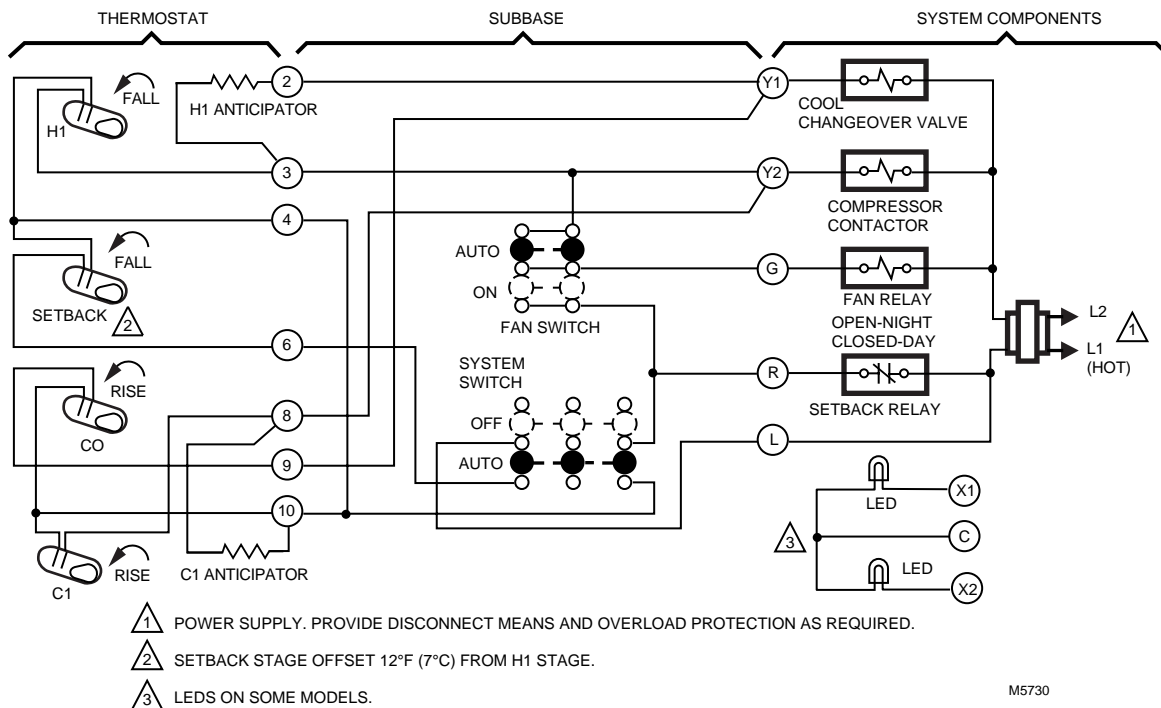


Fig. 176. Schematic and hookup of T874G with Q674C. Used in standard applications.

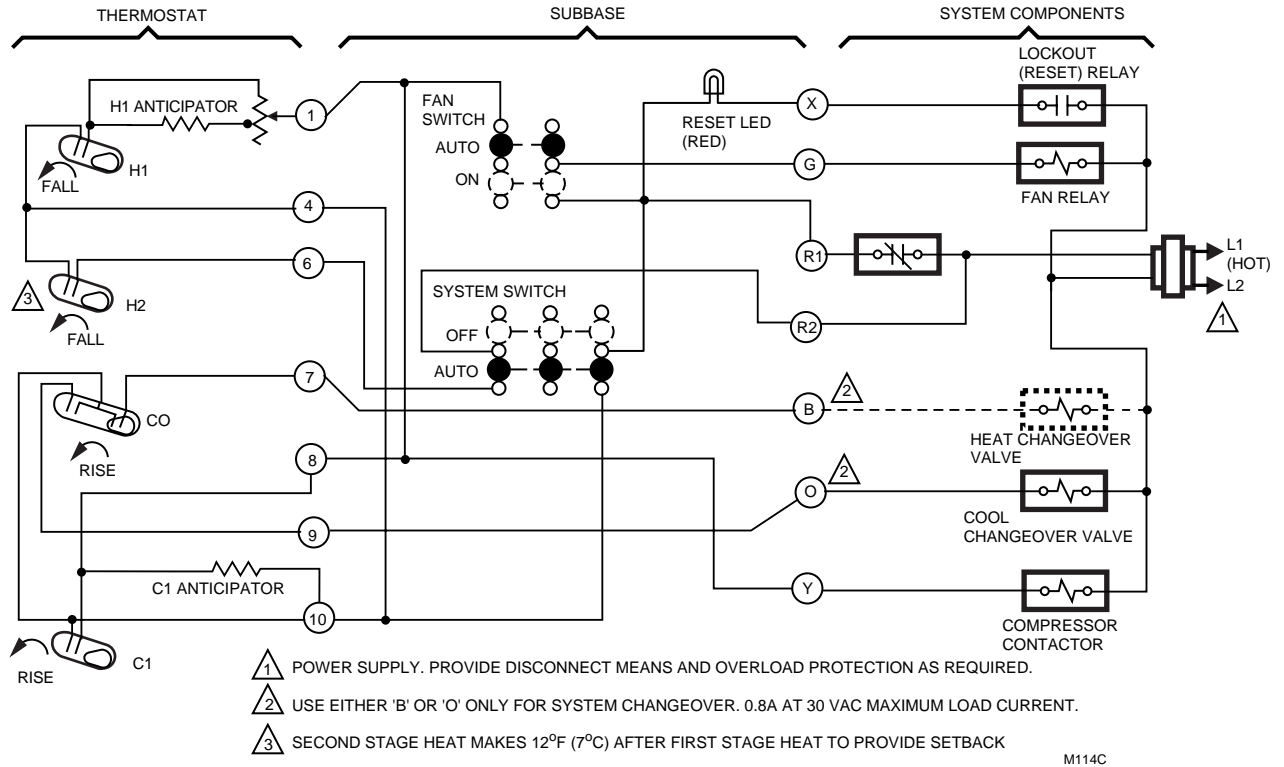


Fig. 177. Schematic and hookup of T874G,H with Q674C. Used in standard applications.

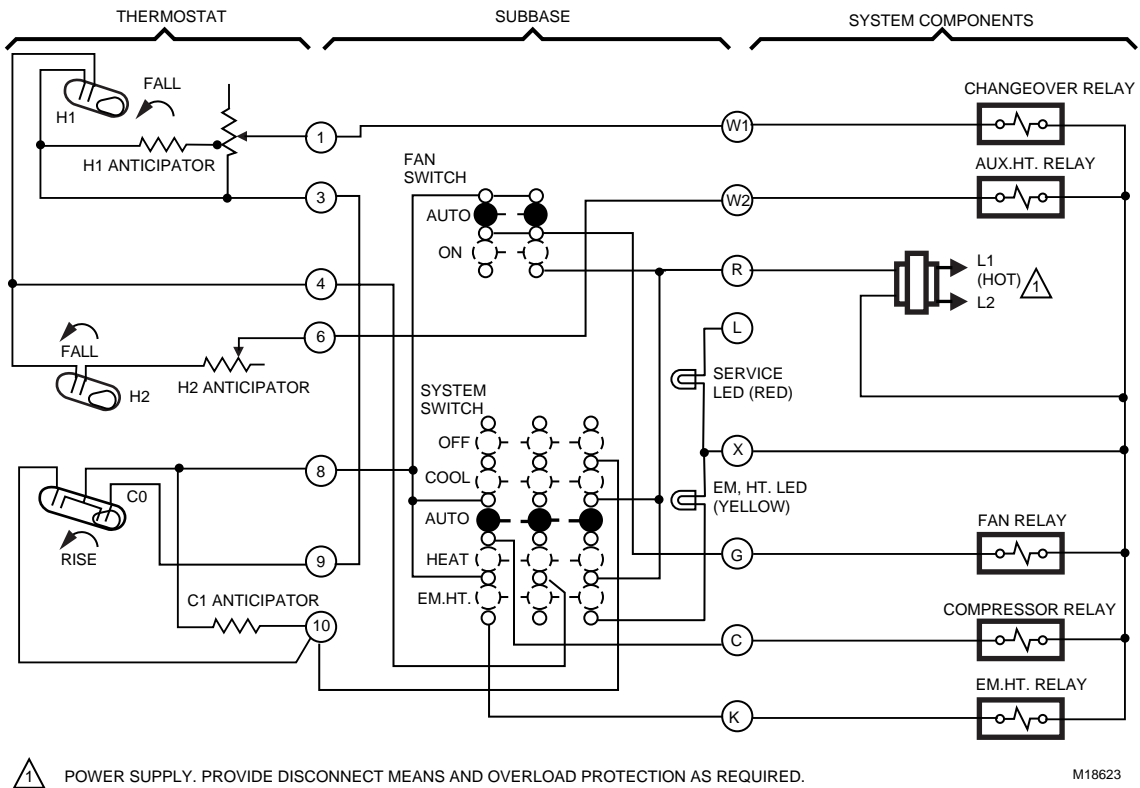
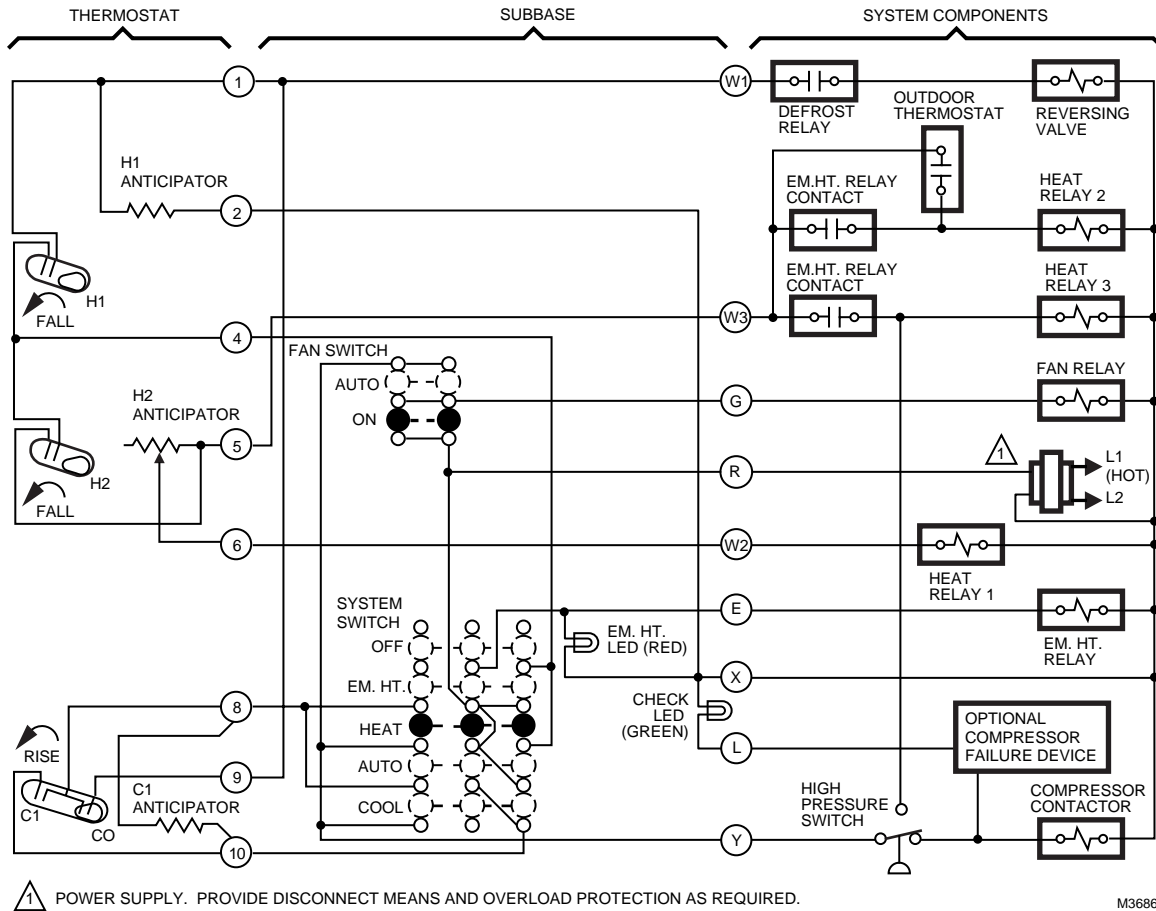


Fig. 178. Schematic and hookup of T874N with Q674F. Used in heat pump applications.



M3686

Fig. 179. Schematic and hookup of T874N with Q674F. Used in heat pump applications.

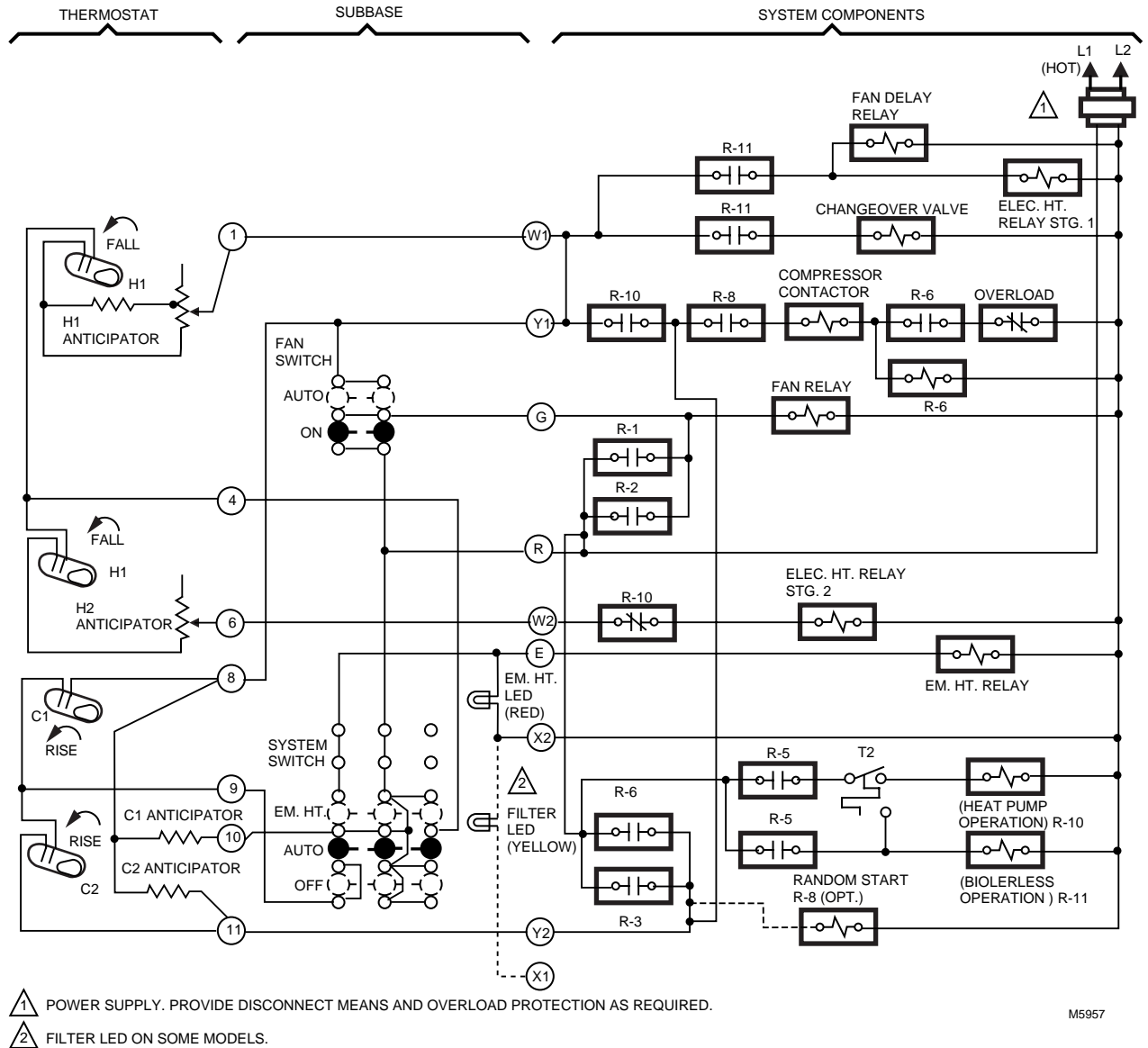


Fig. 180. Schematic and hookup of T874A,D with Q674J. Used in heat pump applications.

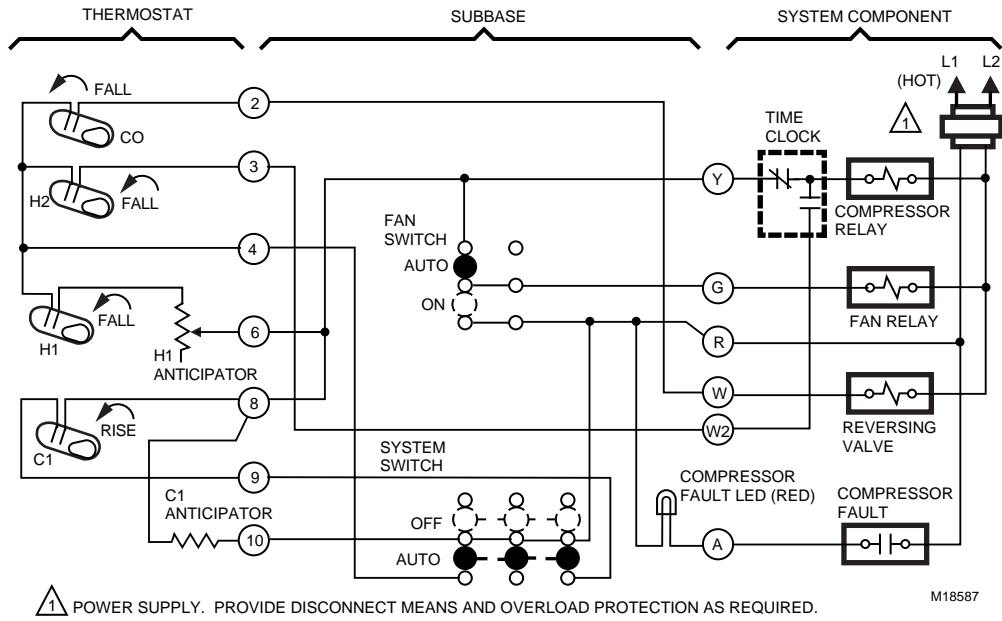


Fig. 181. Schematic and hookup of T874K with Q674C. Used in heat pump applications.

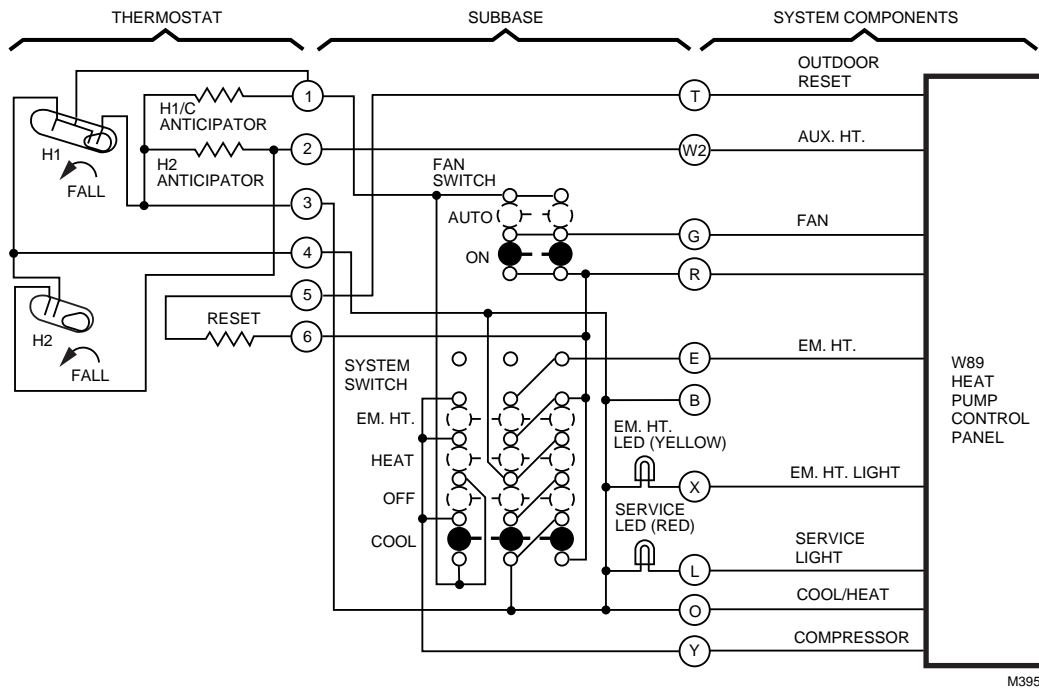


Fig. 182. Schematic and hookup of T874R with Q674L. Used in heat pump applications.



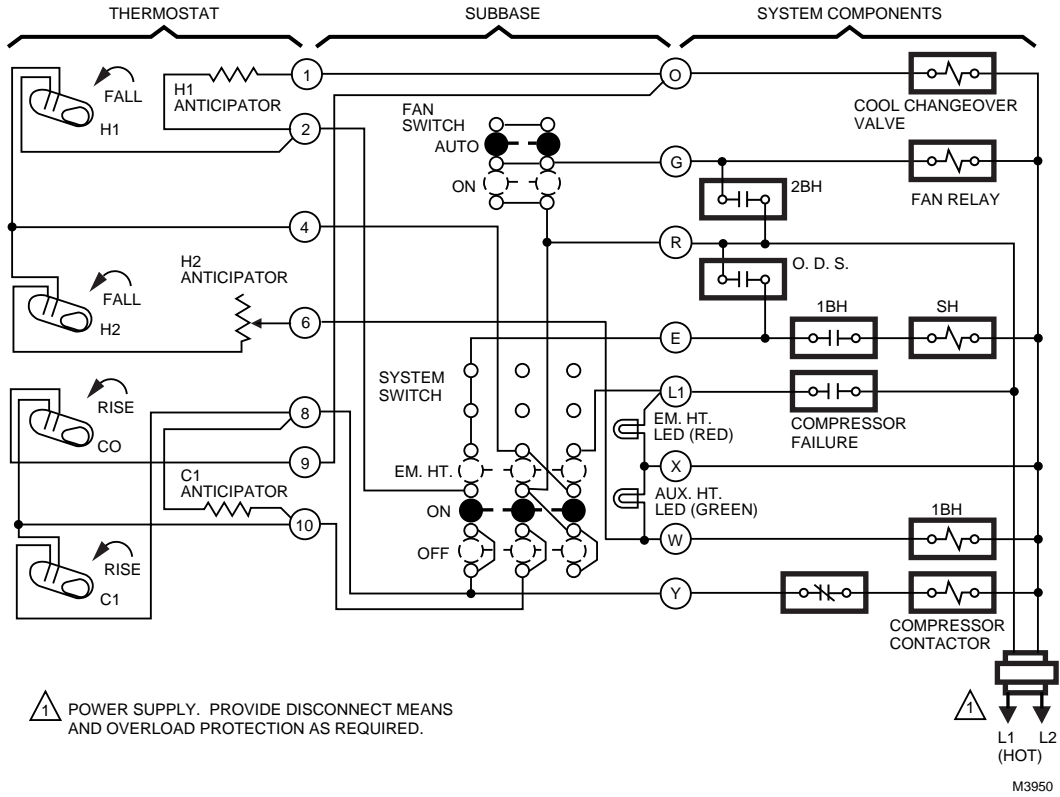


Fig. 183. Schematic and hookup of T874G with Q674J. Used in heat pump applications.

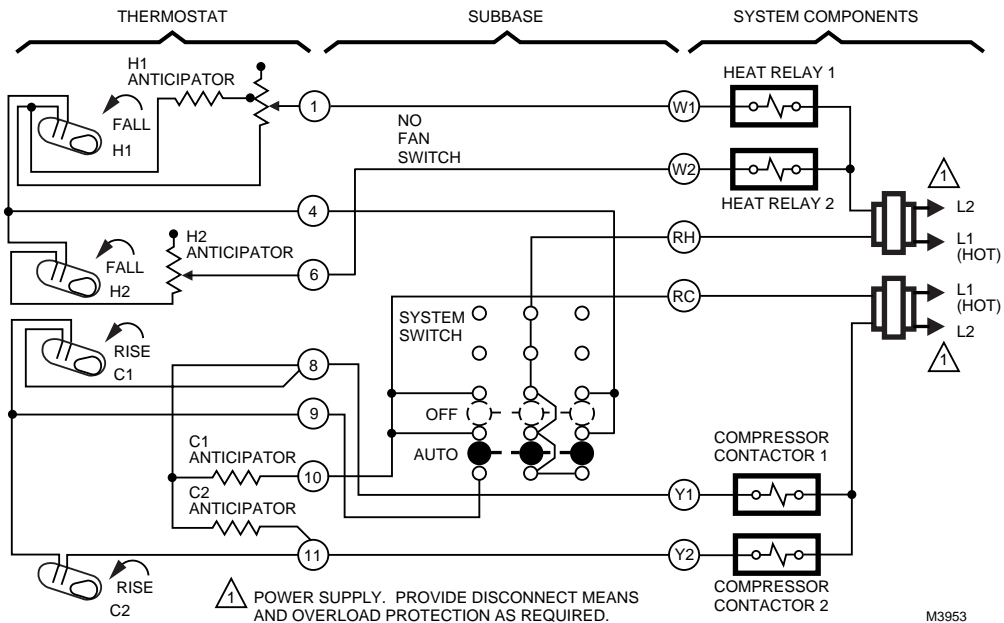
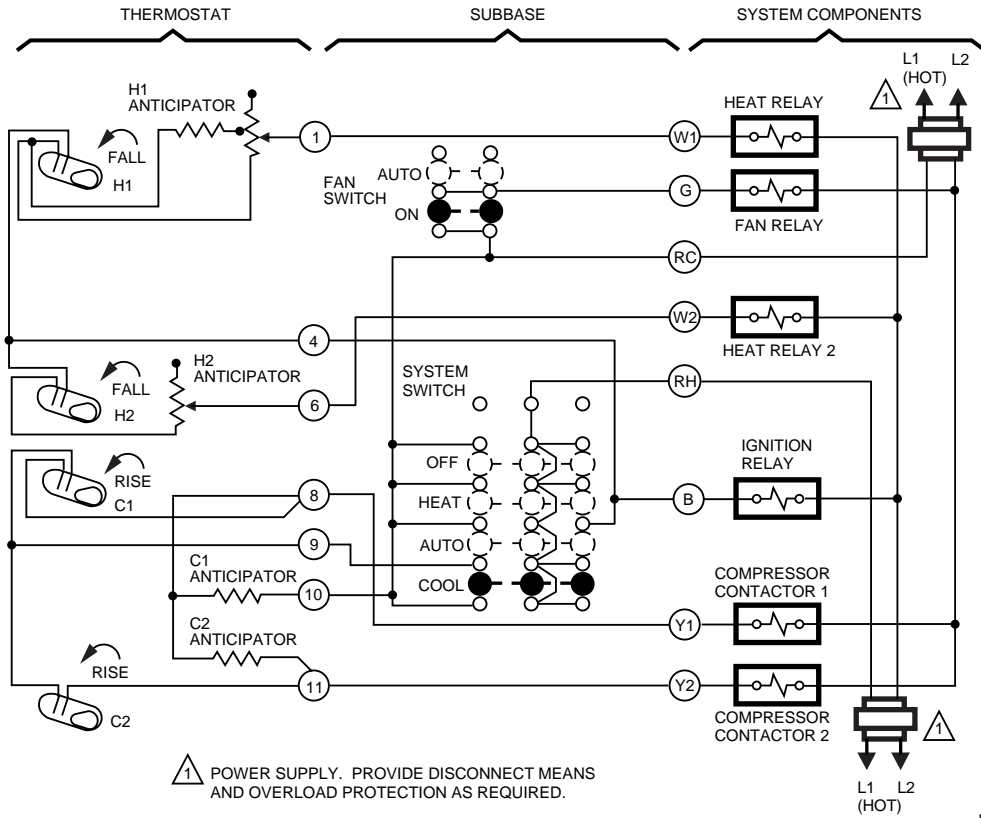
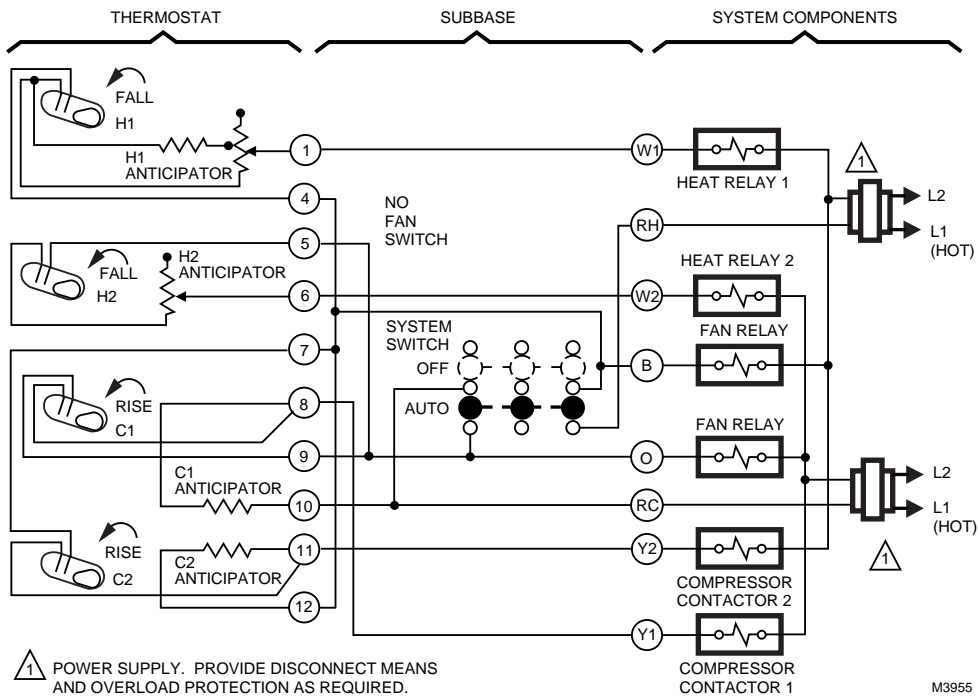


Fig. 184. Schematic and hookup of T874A,F with Q674G. Used in standard applications.



M3954

Fig. 185. Schematic and hookup of T874D with Q674E. Used in standard applications.



M3955

Fig. 186. Schematic and hookup of T874D with Q674G. Used in standard applications.

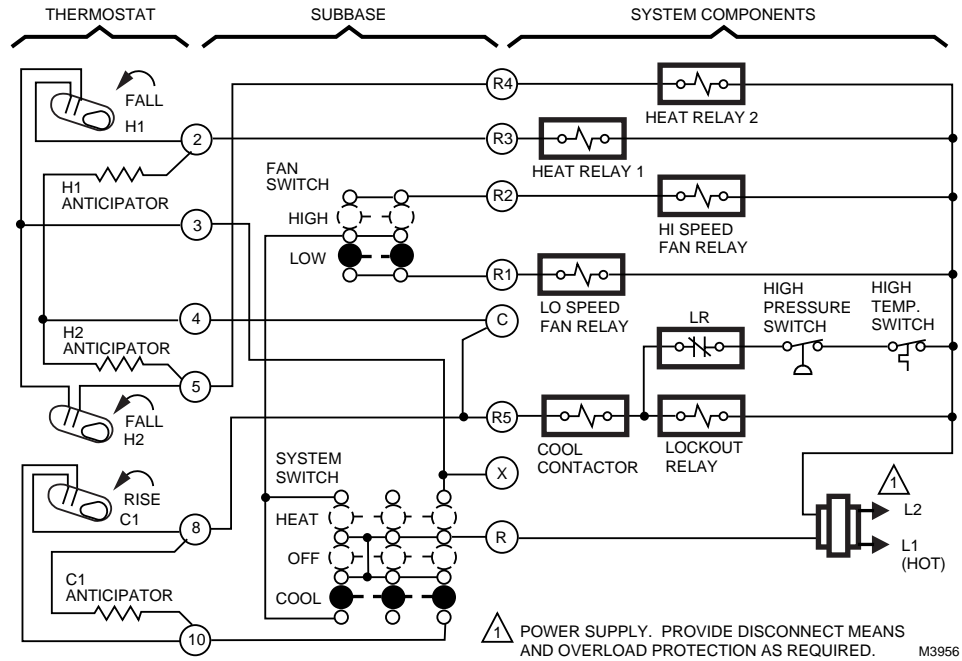


Fig. 187. Schematic and hookup of T874C with Q674B. Used in standard applications.

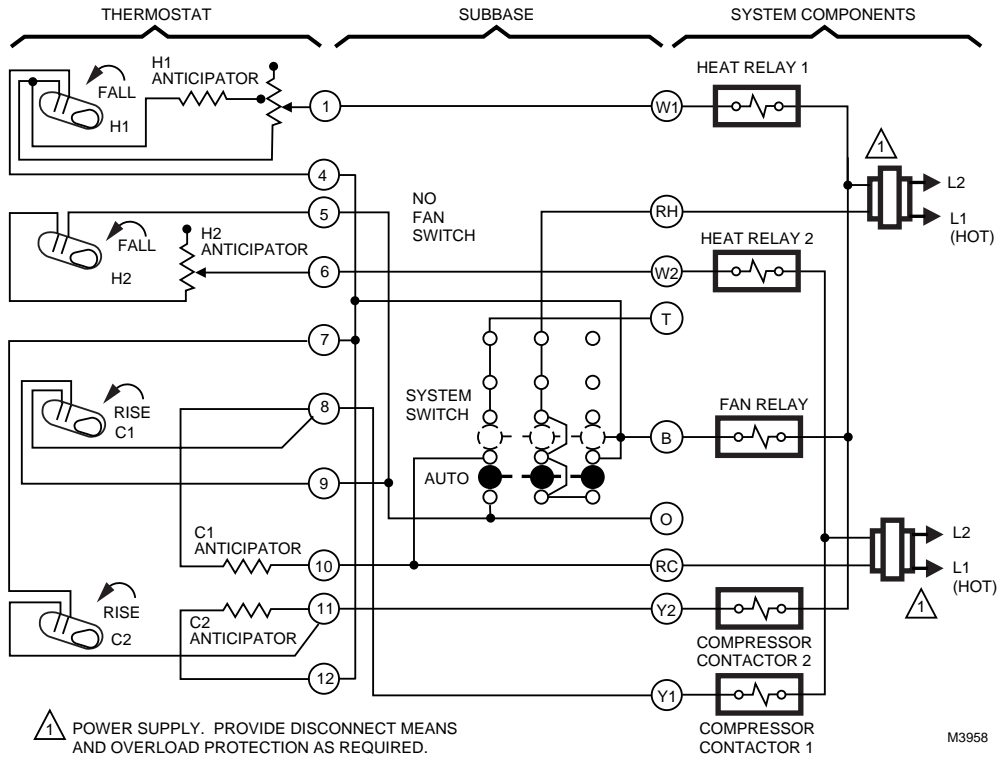


Fig. 188. Schematic and hookup of T874D with Q674G. Used in standard applications.

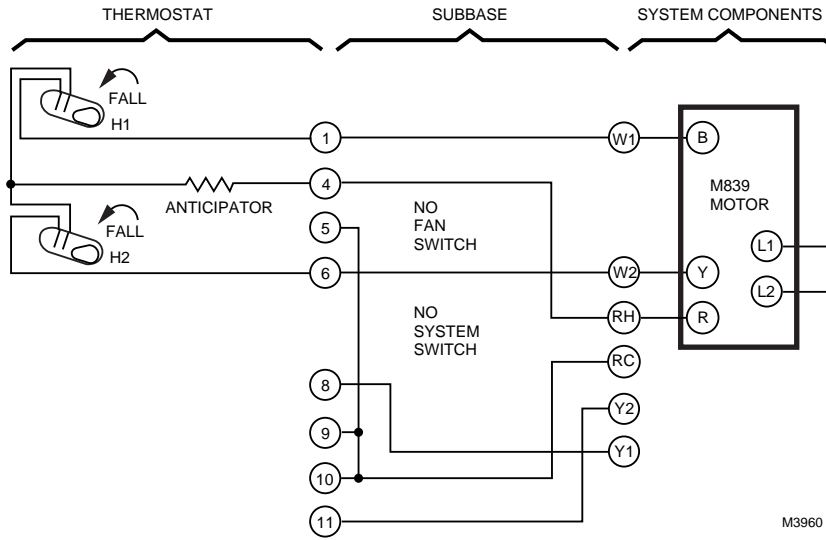


Fig. 189. Schematic and hookup of T874F with Q674D. Used in standard applications.

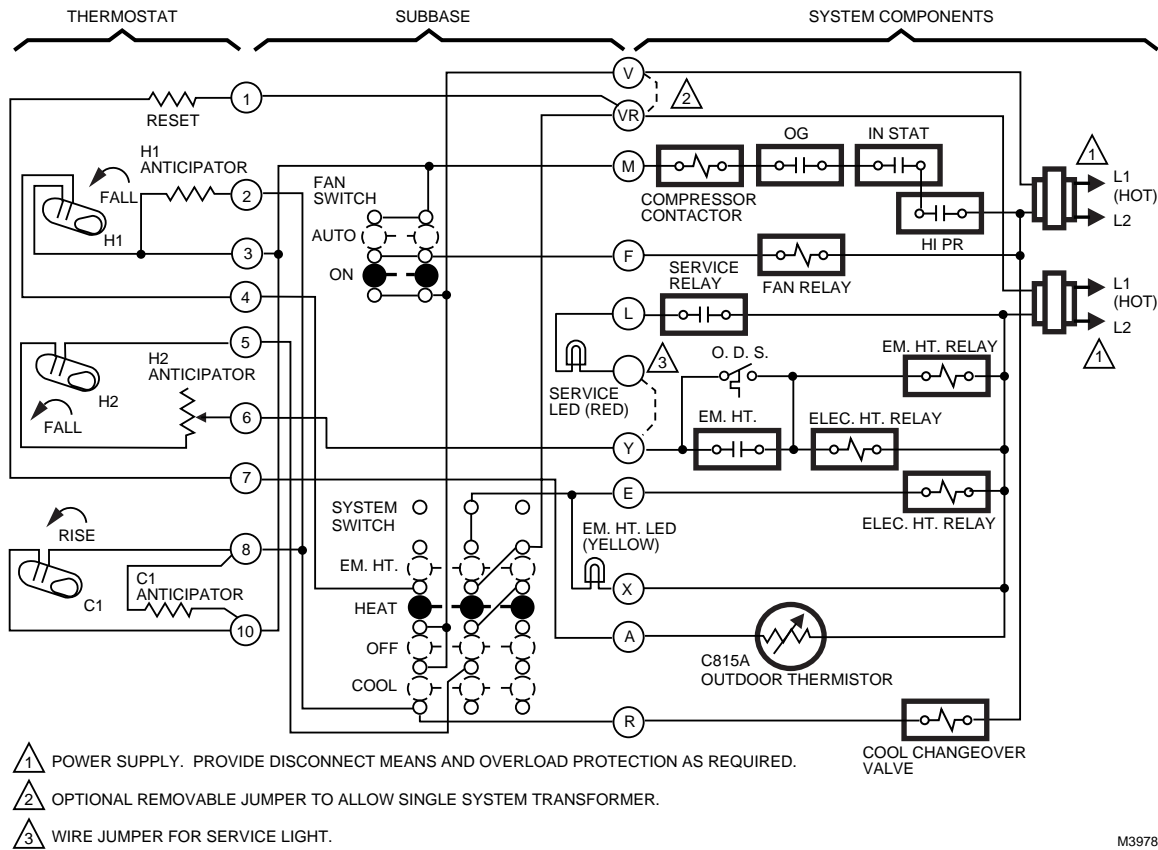


Fig. 190. Schematic and hookup of T874C with Q674L. Used in heat pump applications.

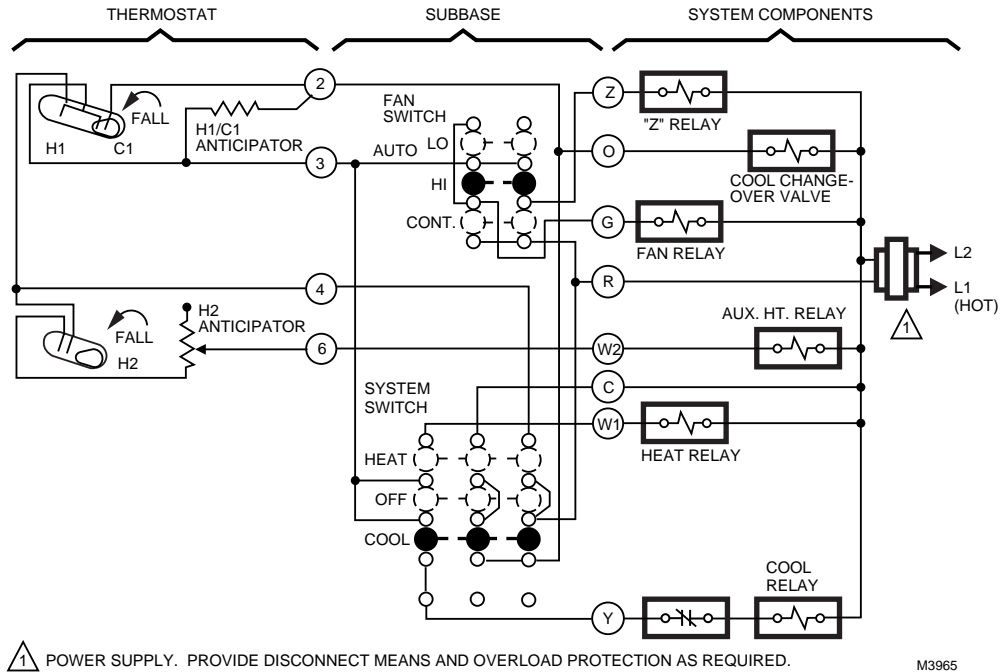


Fig. 191. Schematic and hookup of T874R with Q674B. Used in heat pump applications.

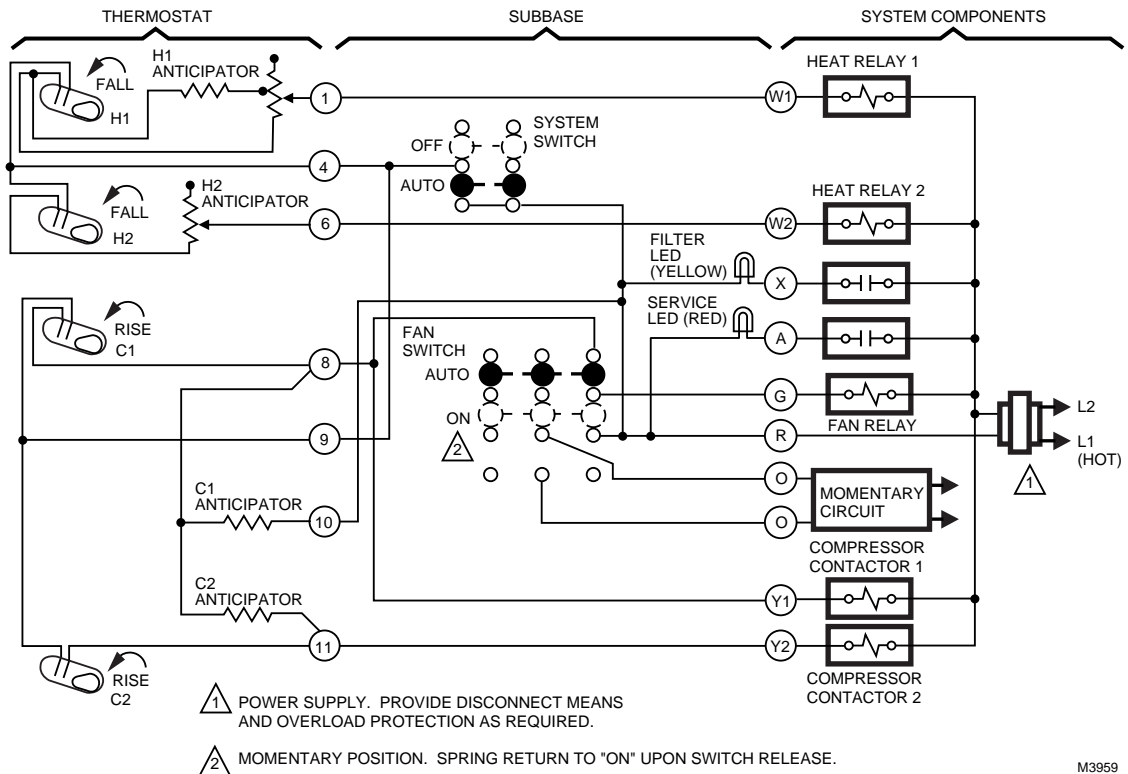


Fig. 192. Schematic and hookup of T874D with Q674C. Used in standard applications.

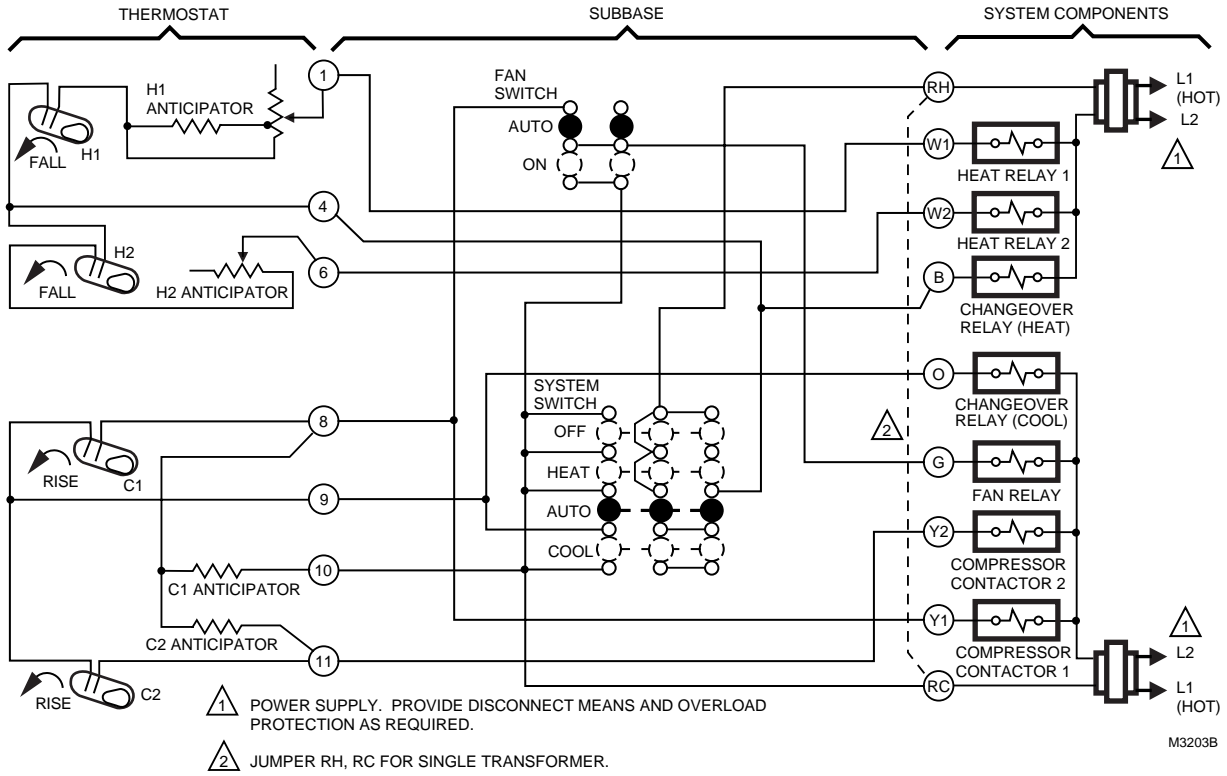


Fig. 193. Schematic and hookup of T874D with Q674E. Used in standard applications.

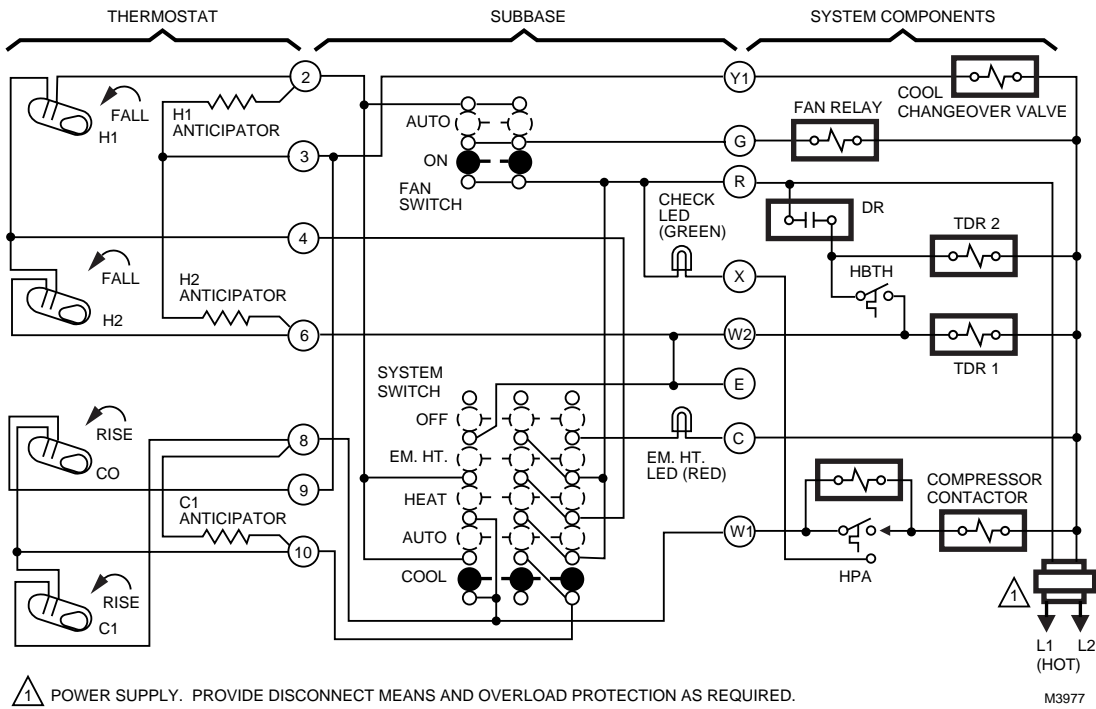
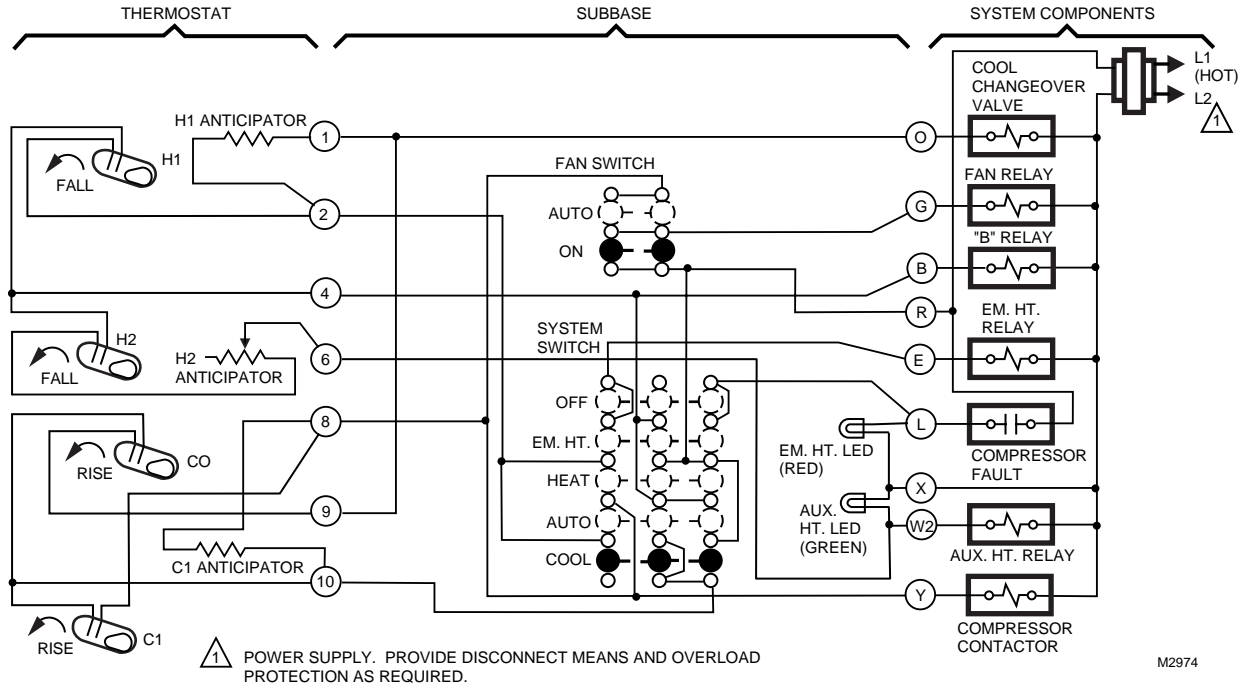
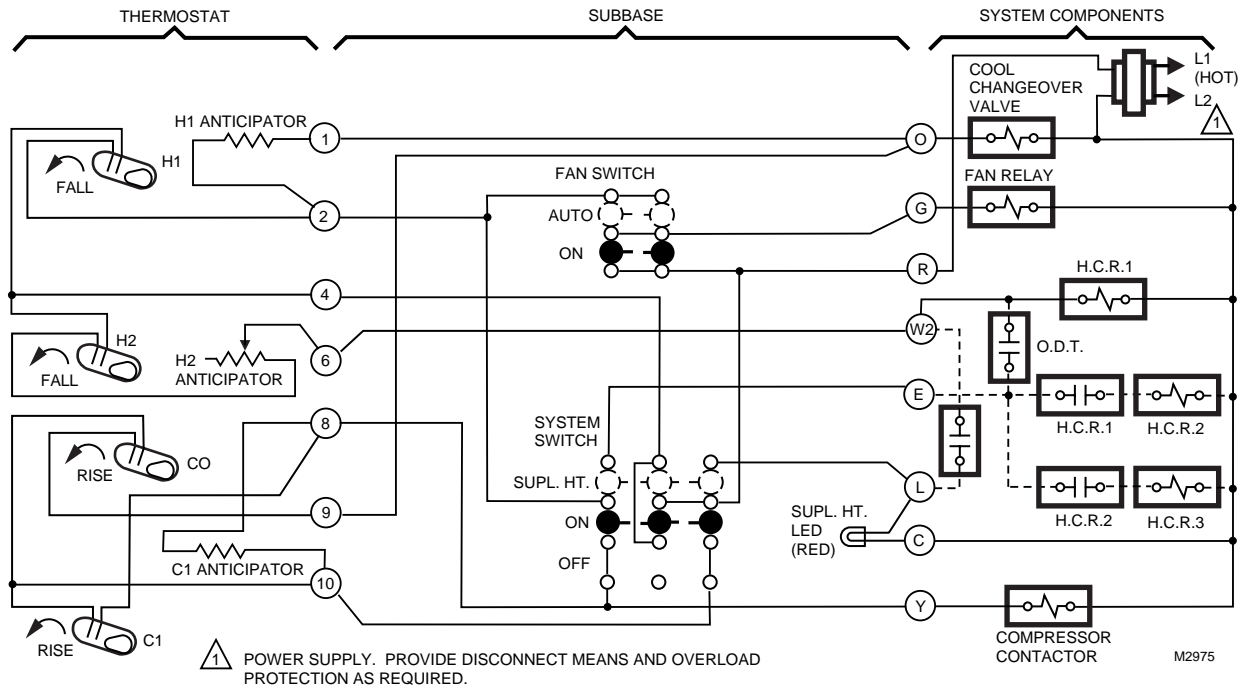


Fig. 194. Schematic and hookup of T874G with Q674F. Used in heat pump applications.



M2974

Fig. 195. Schematic and hookup of T874G with Q674F. Used in heat pump applications.



M2975

Fig. 196. Schematic and hookup of T874G with Q674J. Used in heat pump applications.

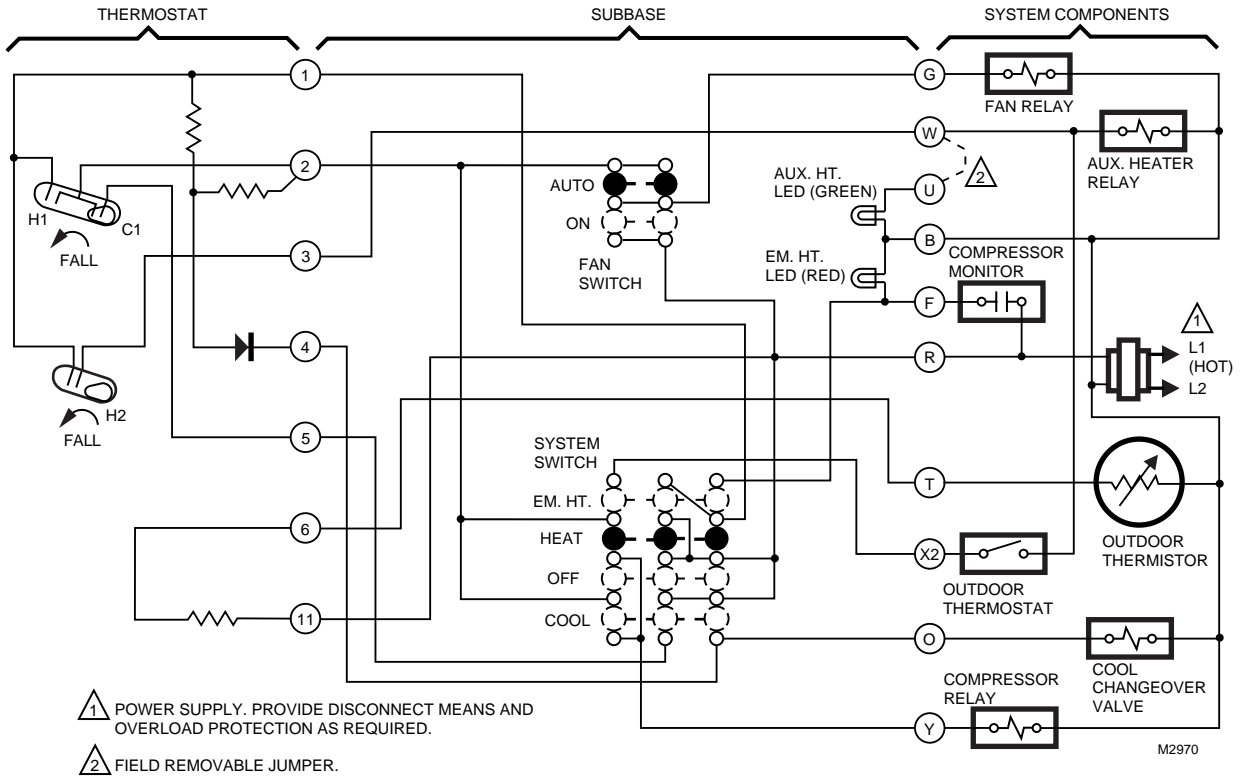


Fig. 197. Schematic and hookup of T874R with Q674L. Used in heat pump applications.

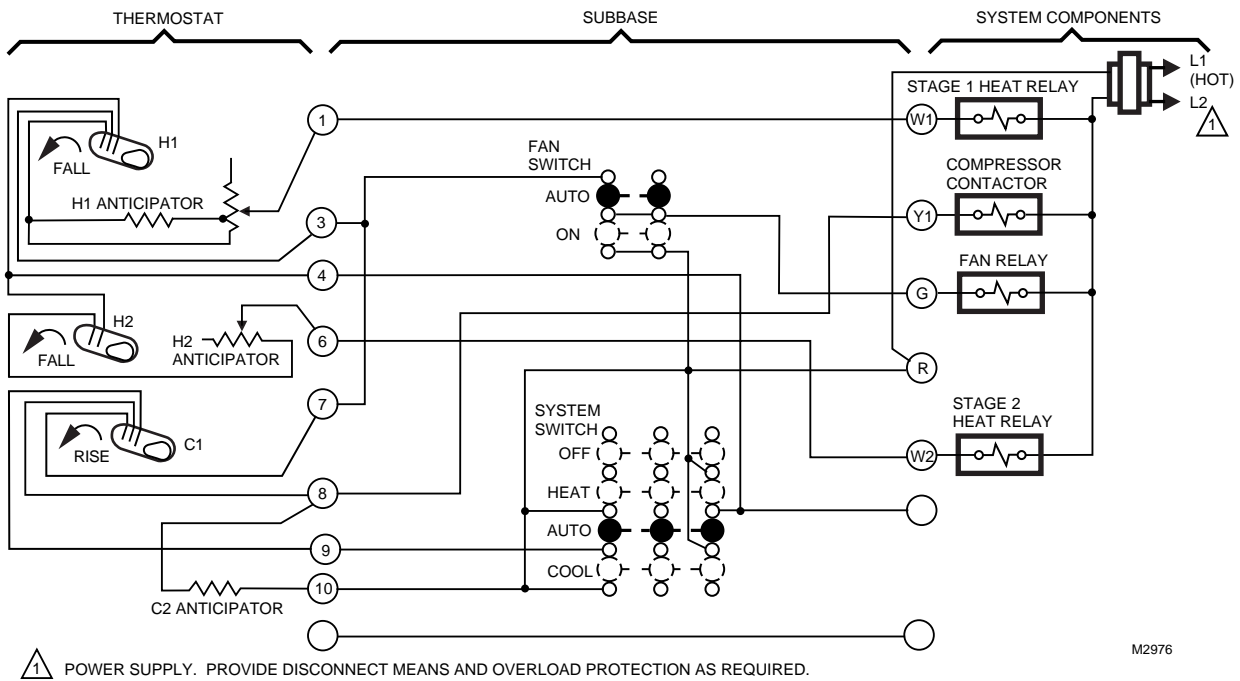


Fig. 198. Schematic and hookup of T874L with Q674E. Used in standard applications.



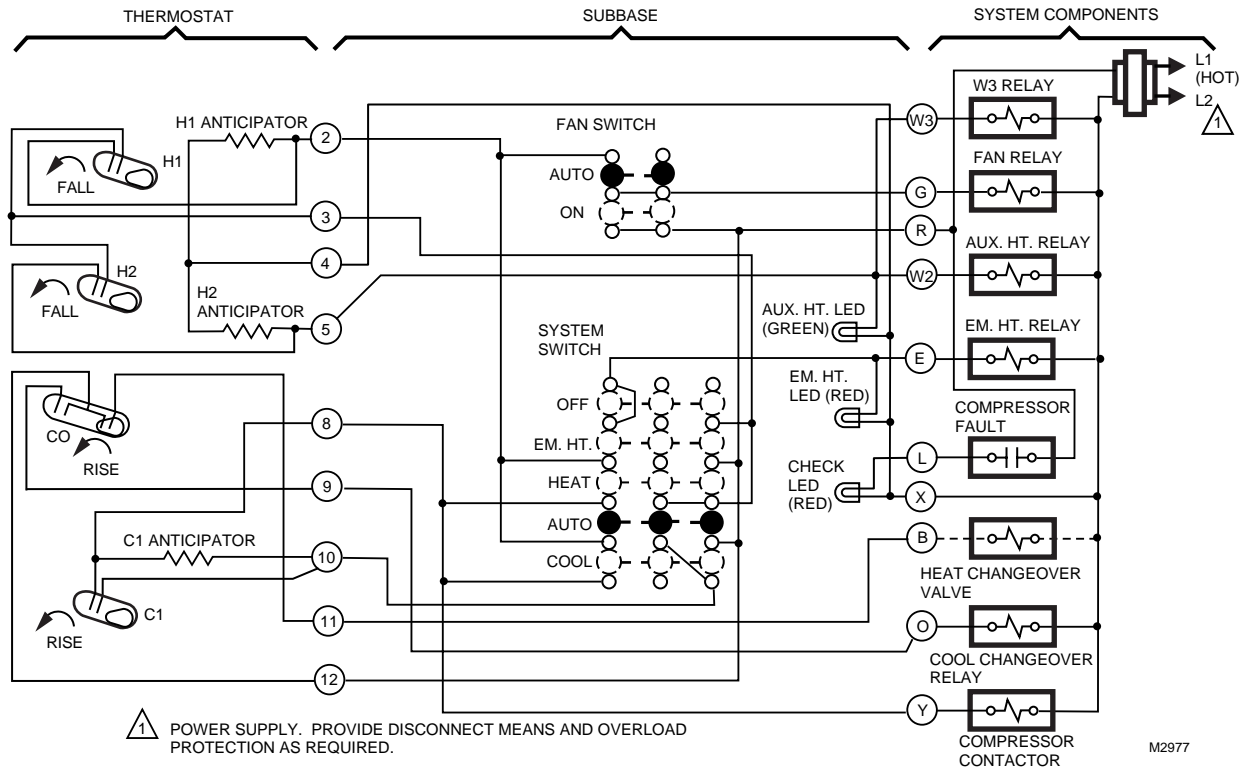


Fig. 199. Schematic and hookup of T874G with Q674F. Used in heat pump applications.

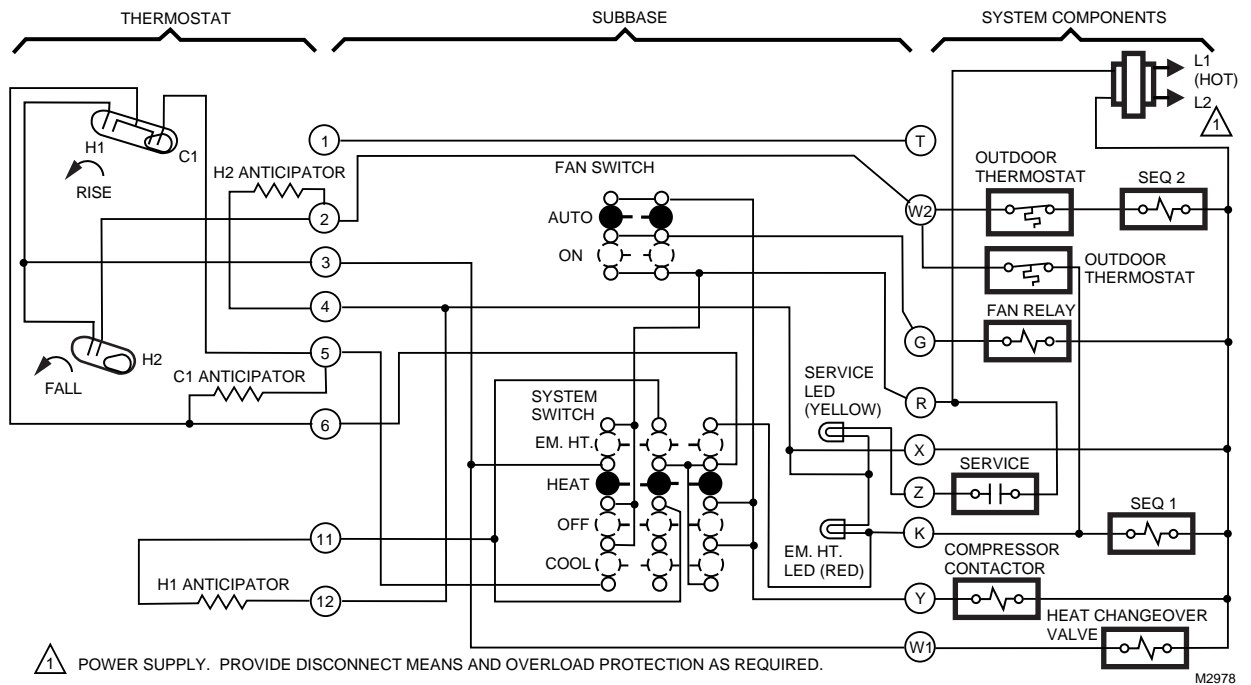


Fig. 200. Schematic and hookup of T874R with Q674L. Used in heat pump applications.

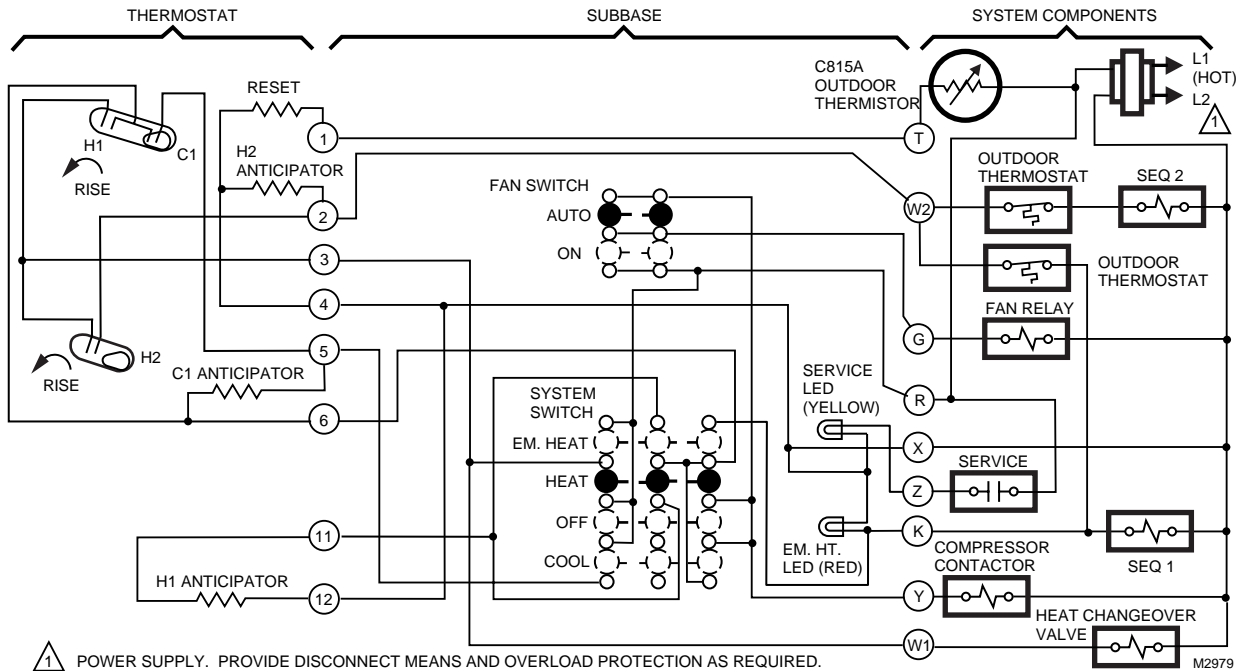


Fig. 201. Schematic and hookup of T874R with Q674L. Used in heat pump applications.

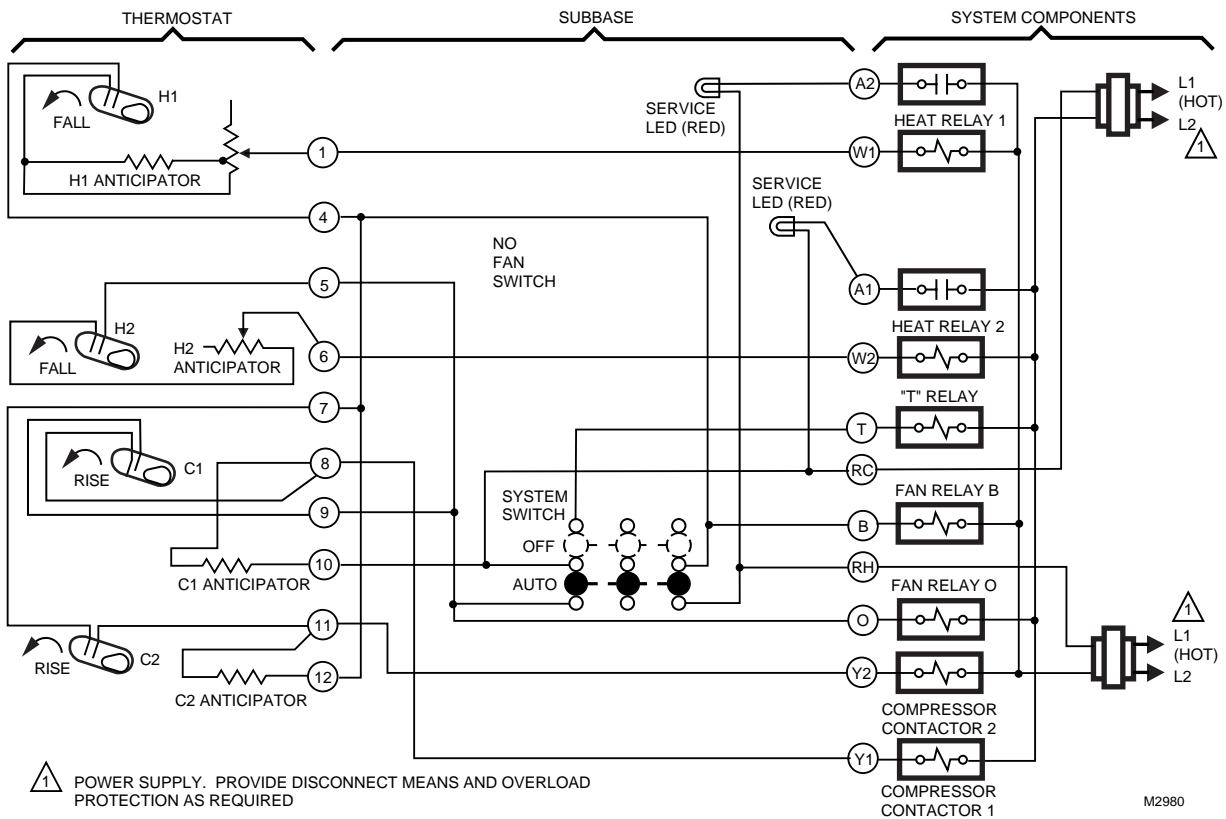


Fig. 202. Schematic and hookup of T874D with Q674G. Used in standard applications.

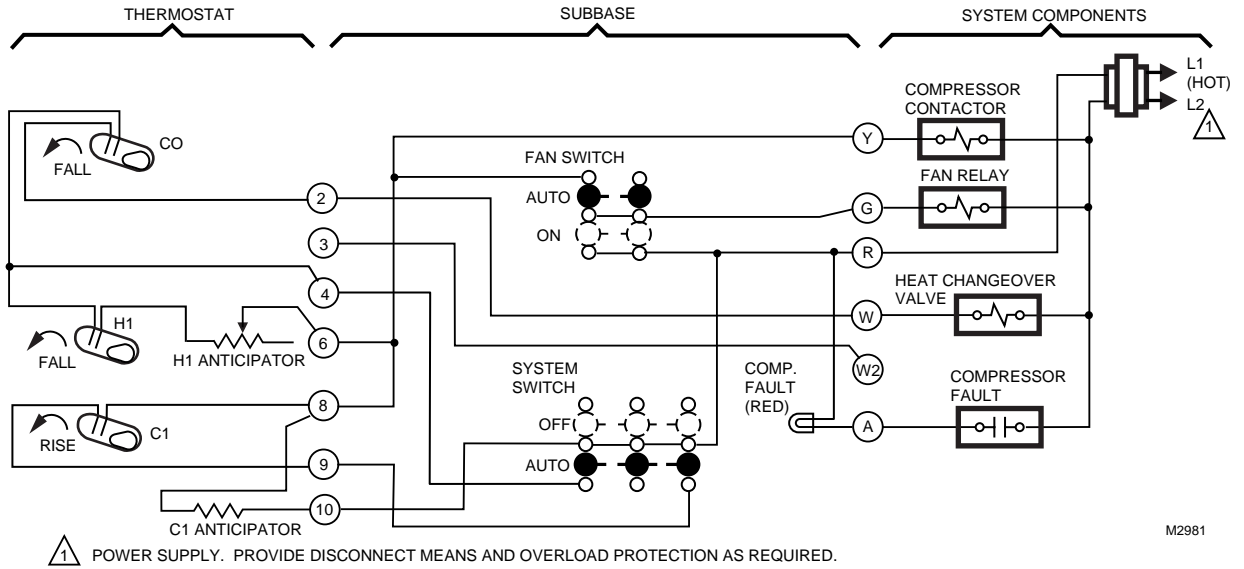


Fig. 203. Schematic and hookup of T874L with Q674C. Used in heat pump applications.

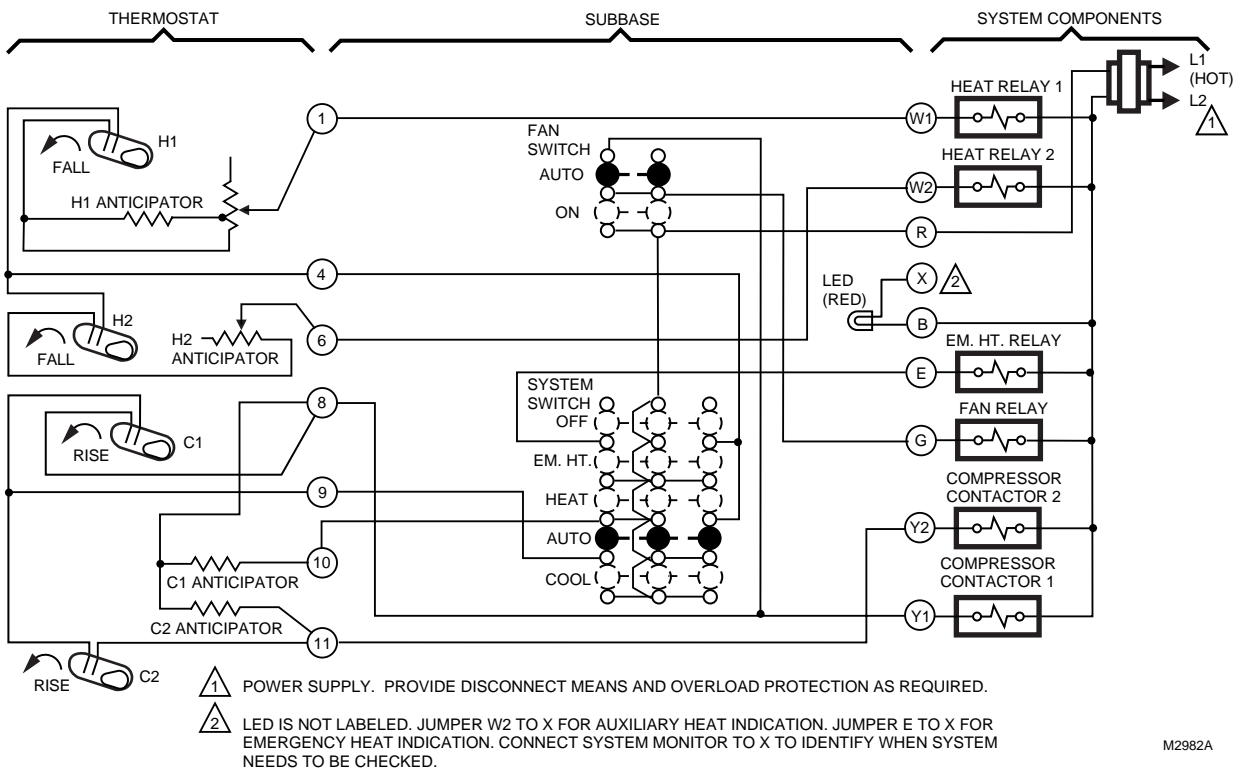


Fig. 204. Schematic and hookup of T874D with Q674F. Used in standard applications.

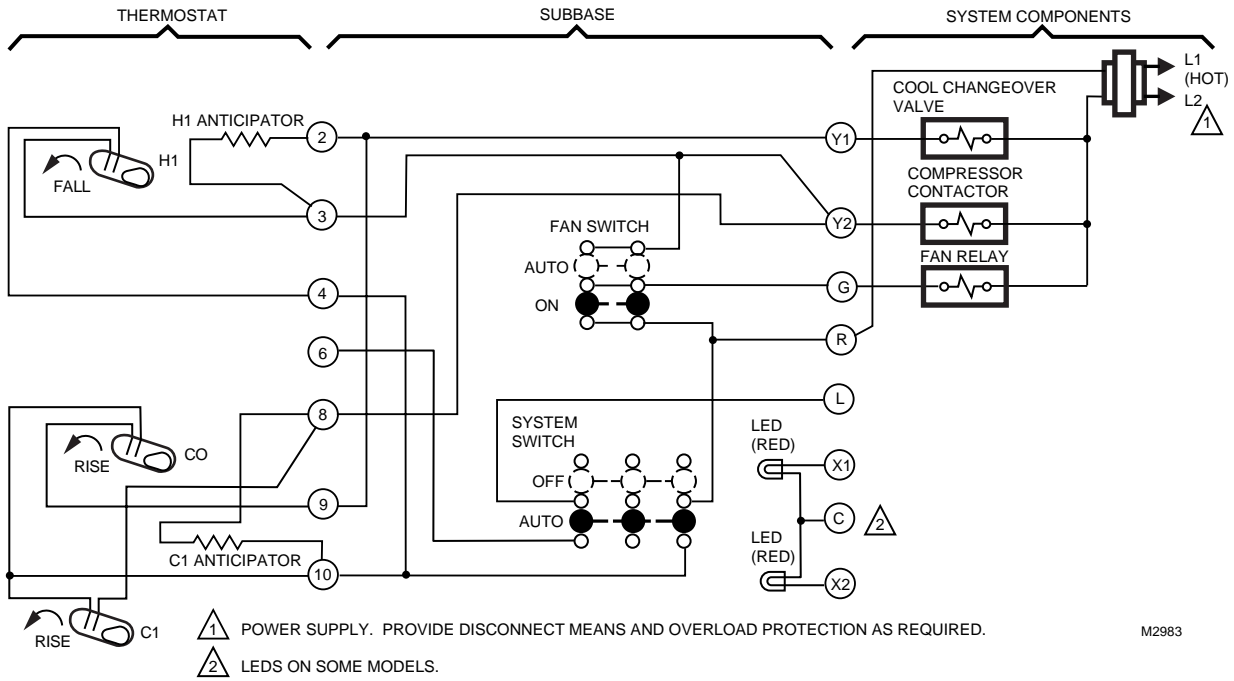


Fig. 205. Schematic and hookup of T874H with Q674C. Used in heat pump applications.

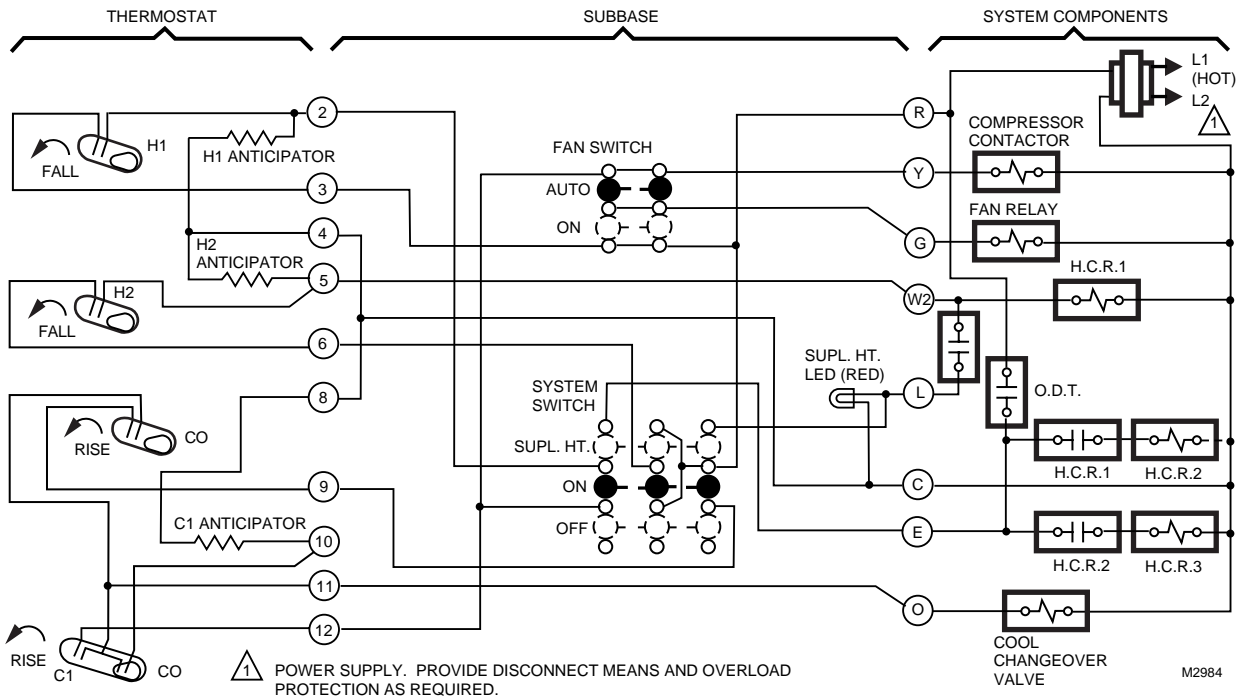


Fig. 206. Schematic and hookup of T874J with Q674J. Used in heat pump applications.

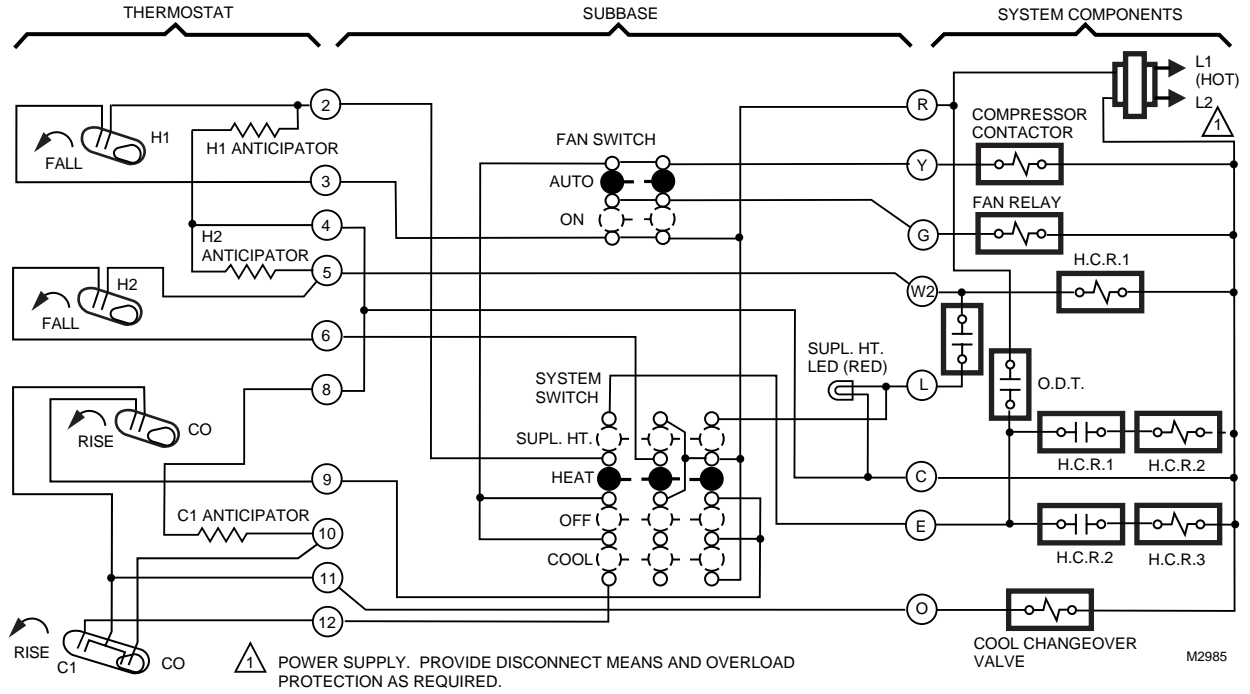


Fig. 207. Schematic and hookup of T874J with Q674L. Used in heat pump applications.

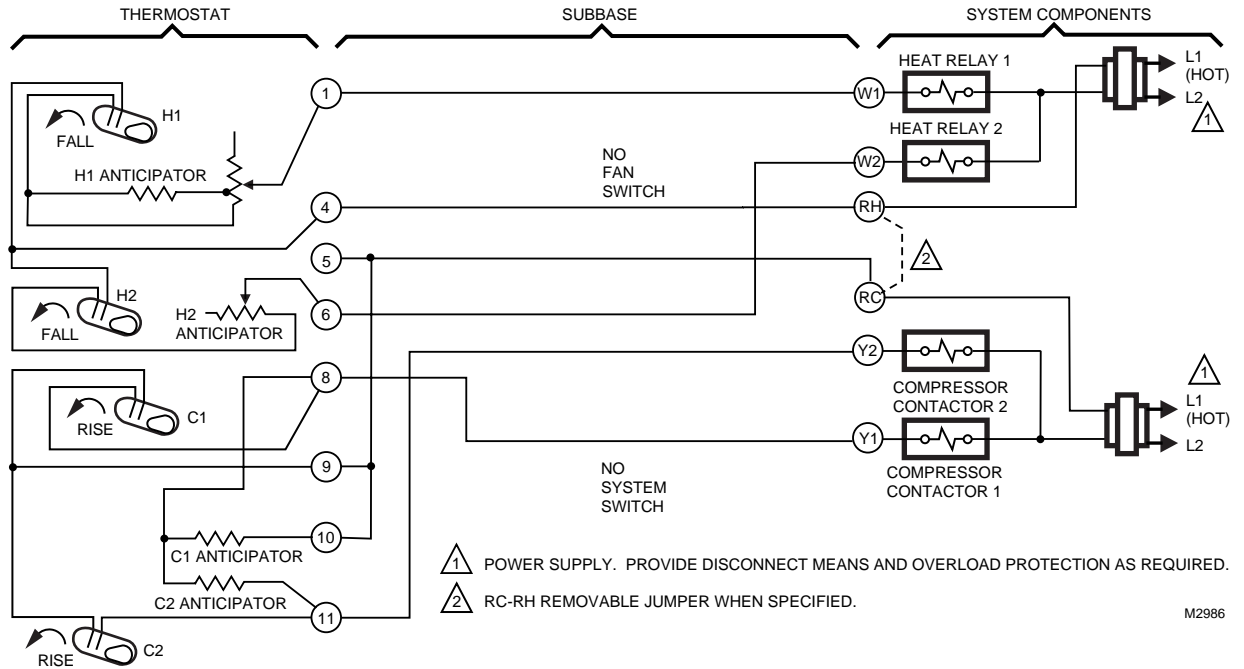


Fig. 208. Schematic and hookup of T874D with Q674D. Used in standard applications.

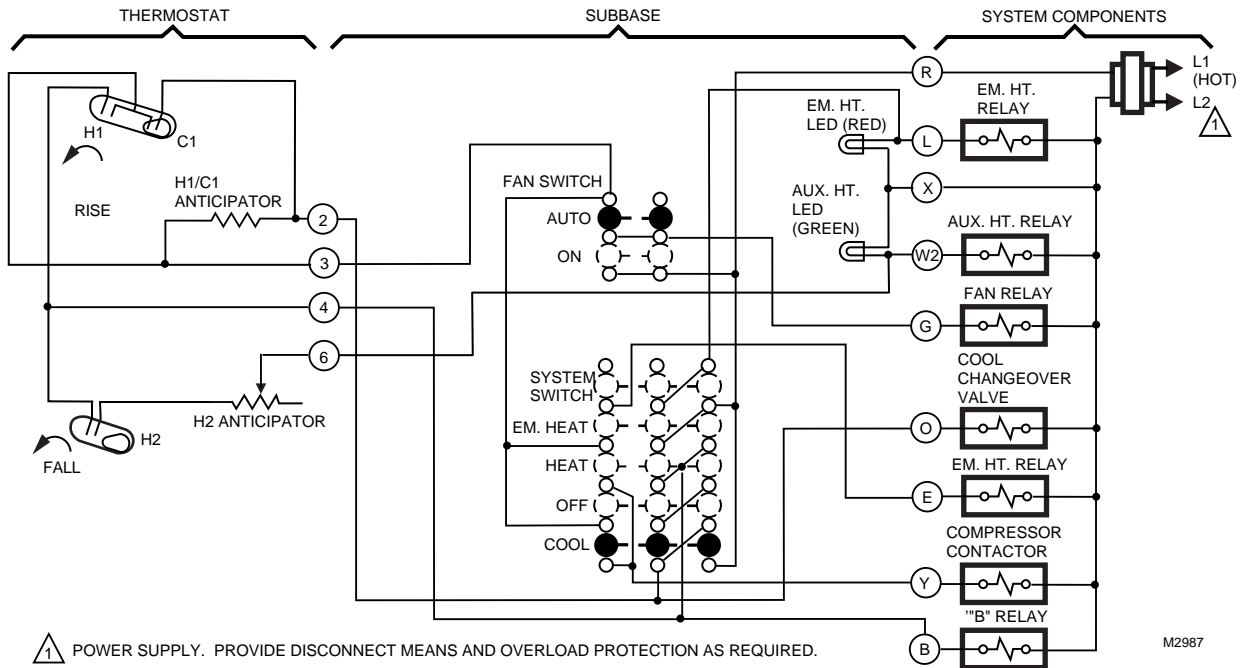


Fig. 209. Schematic and hookup of T874R with Q674L. Used in heat pump applications.

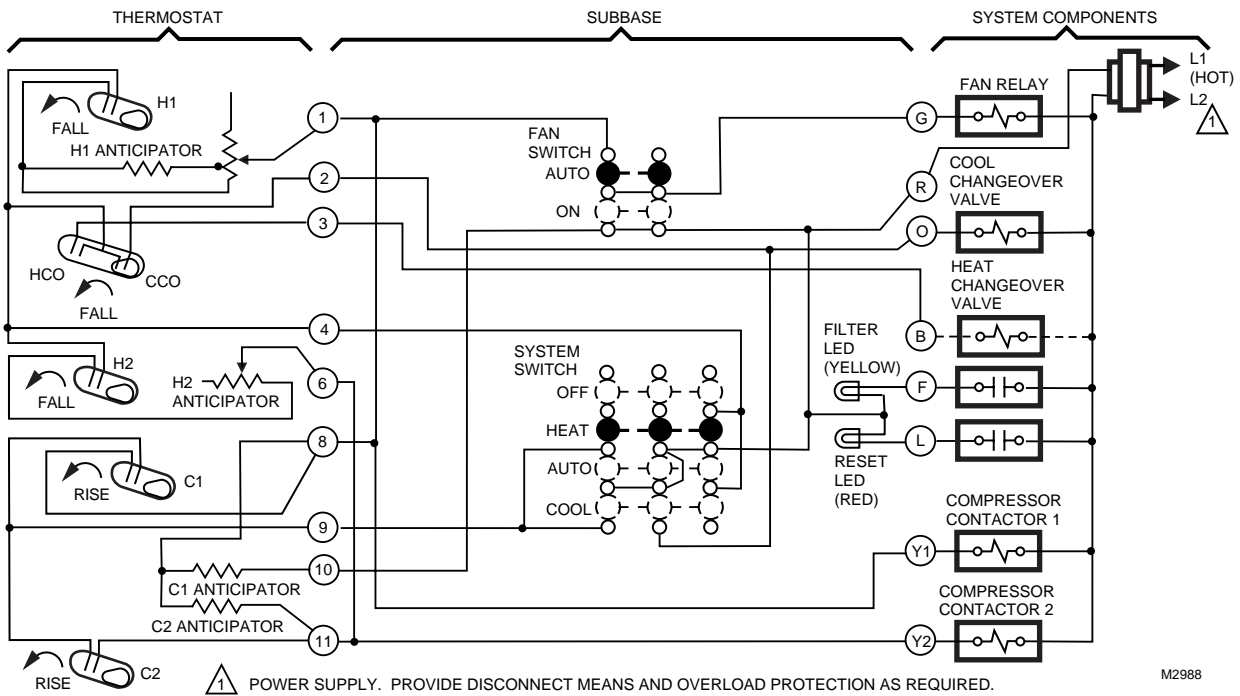


Fig. 210. Schematic and hookup of T874Y with Q674E. Used in heat pump applications.

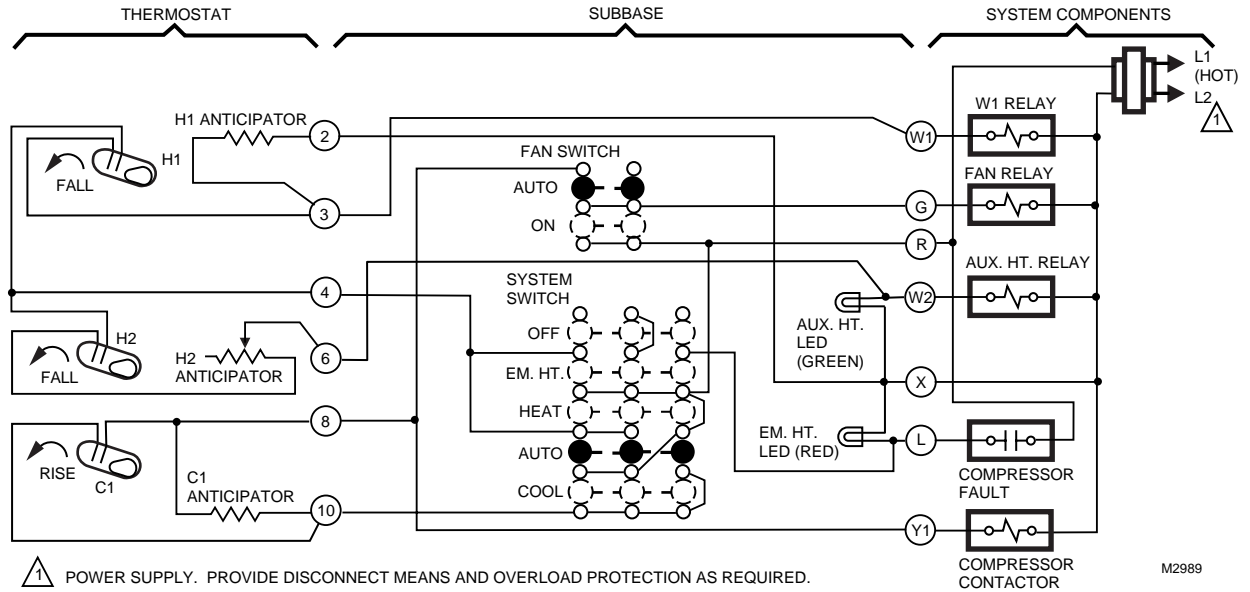


Fig. 211. Schematic and hookup of T874G with Q674F. Used in standard applications.

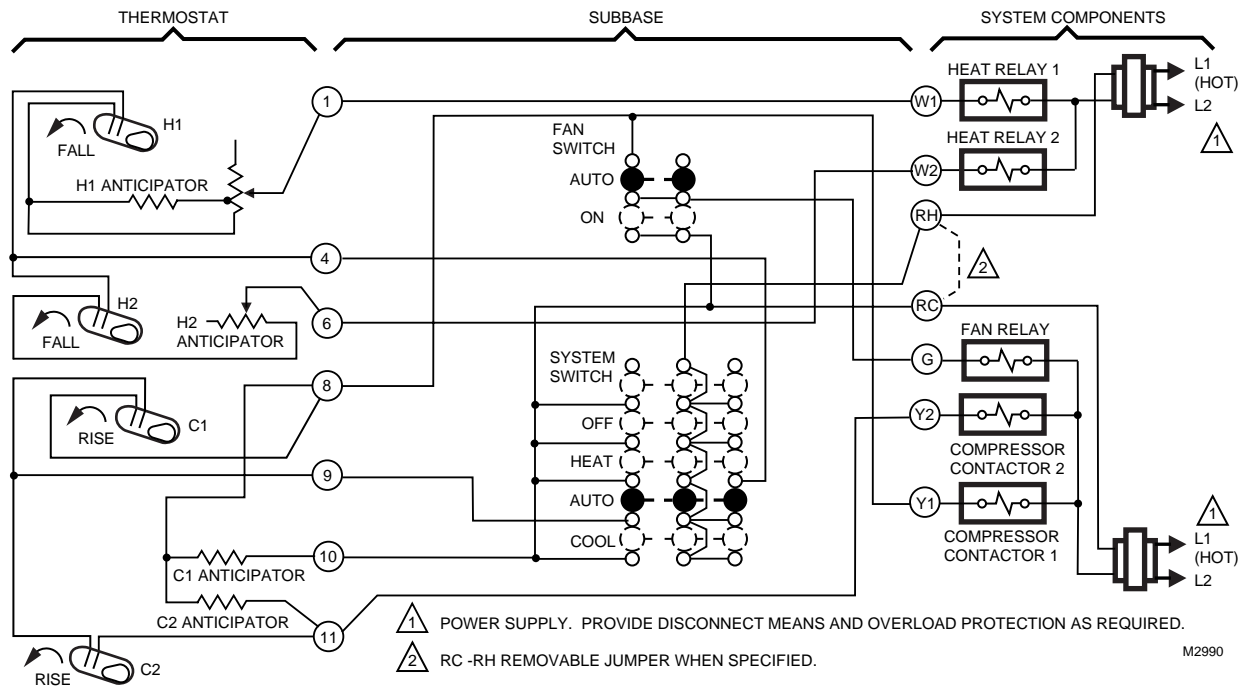


Fig. 212. Schematic and hookup of T874A with Q674E. Used in standard applications.

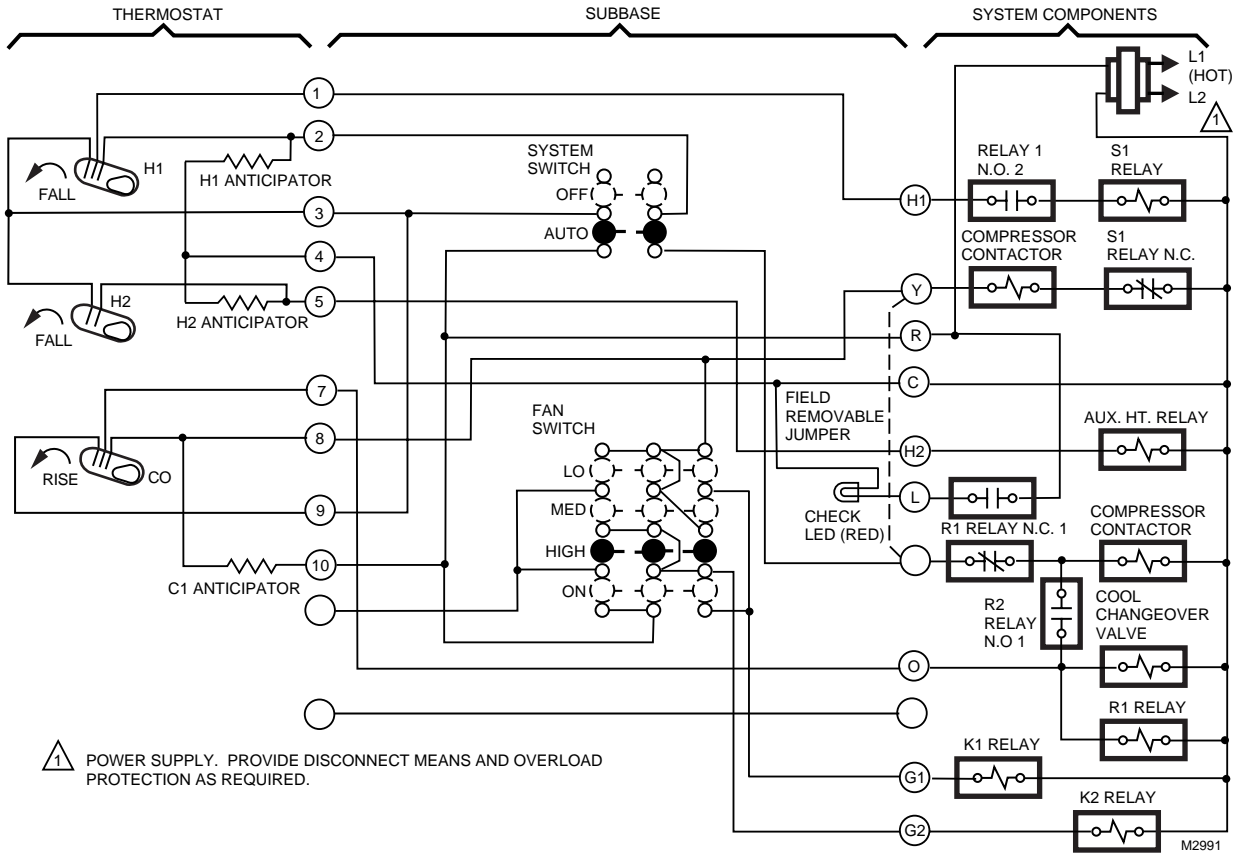


Fig. 213. Schematic and hookup of T874L with Q674C. Used in heat pump applications.



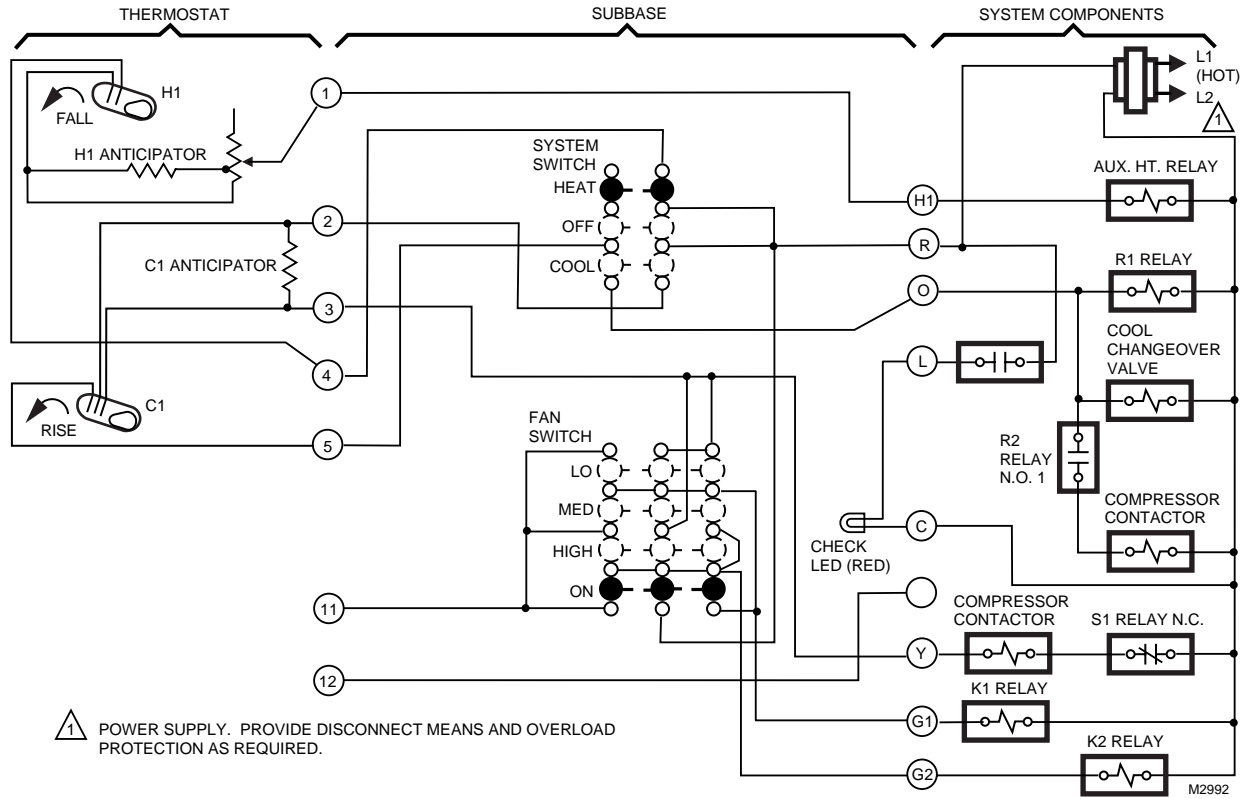


Fig. 214. Schematic and hookup of T874A with Q674B. Used in standard applications.

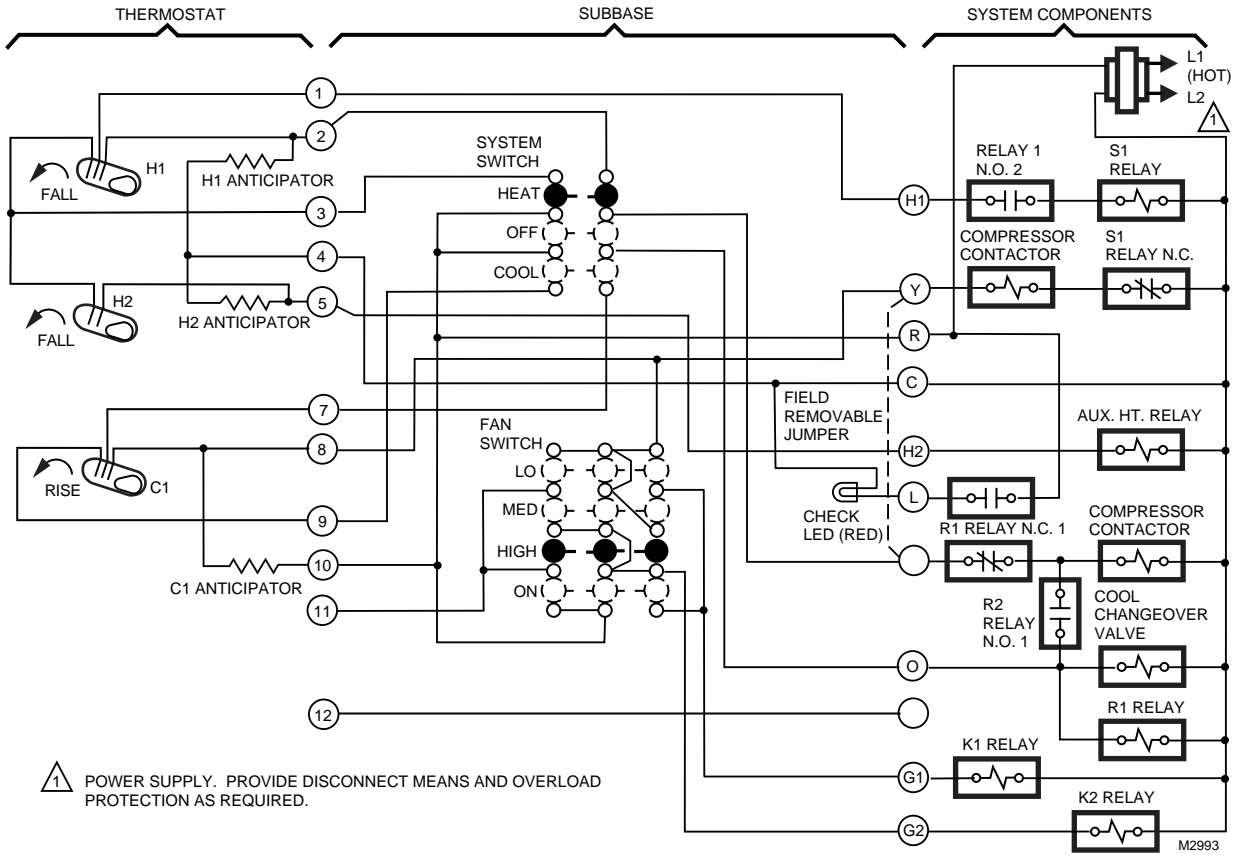


Fig. 215. Schematic and hookup of T874L with Q674B. Used in heat pump applications.

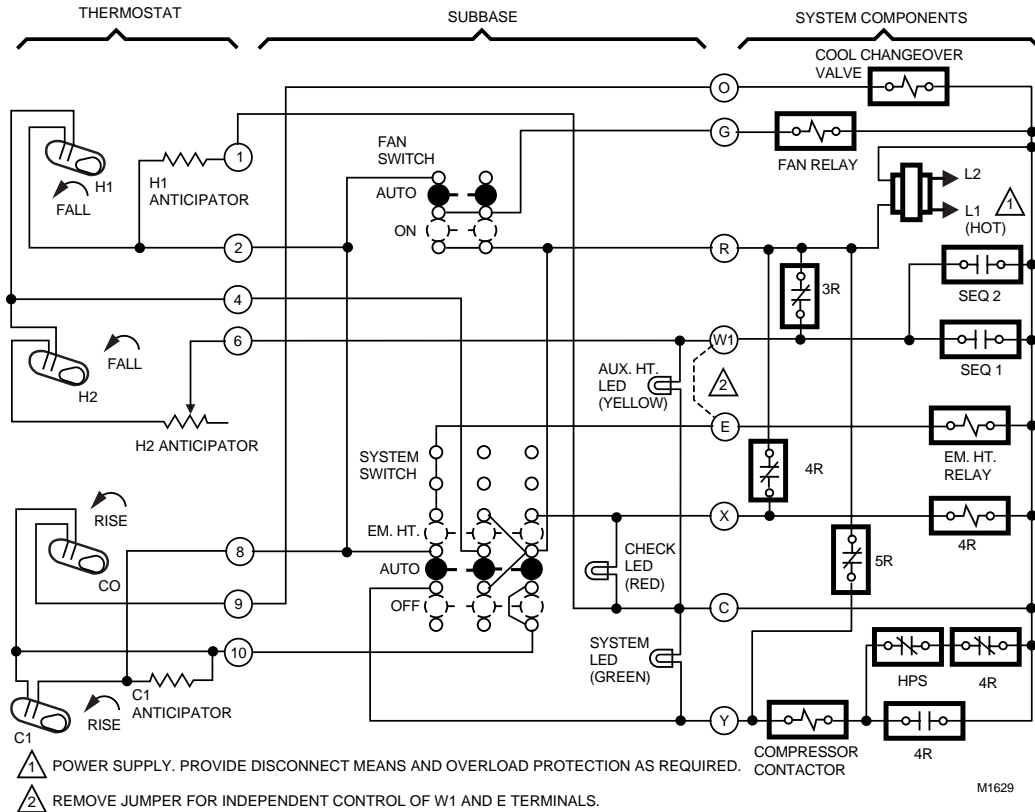


Fig. 216. Schematic and hookup of T874G with Q674J. Used in heat pump applications.

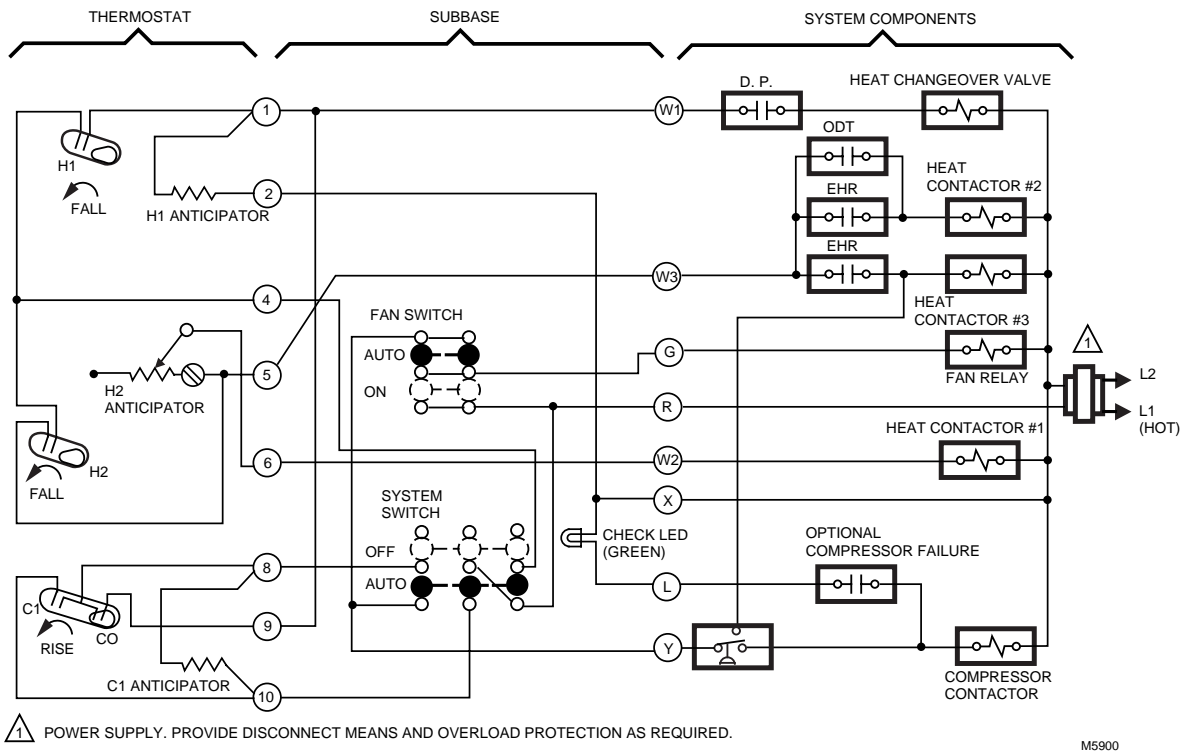


Fig. 217. Schematic and hookup of T874N with Q674C. Used in heat pump applications.

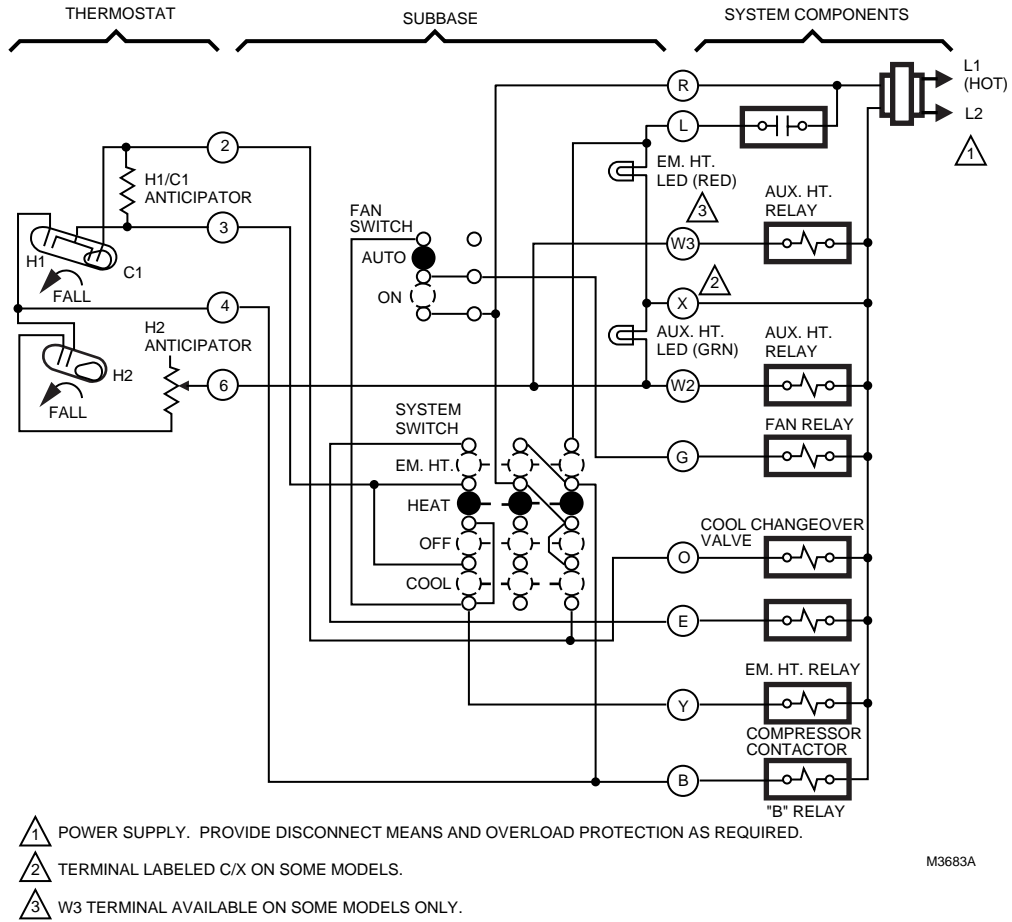
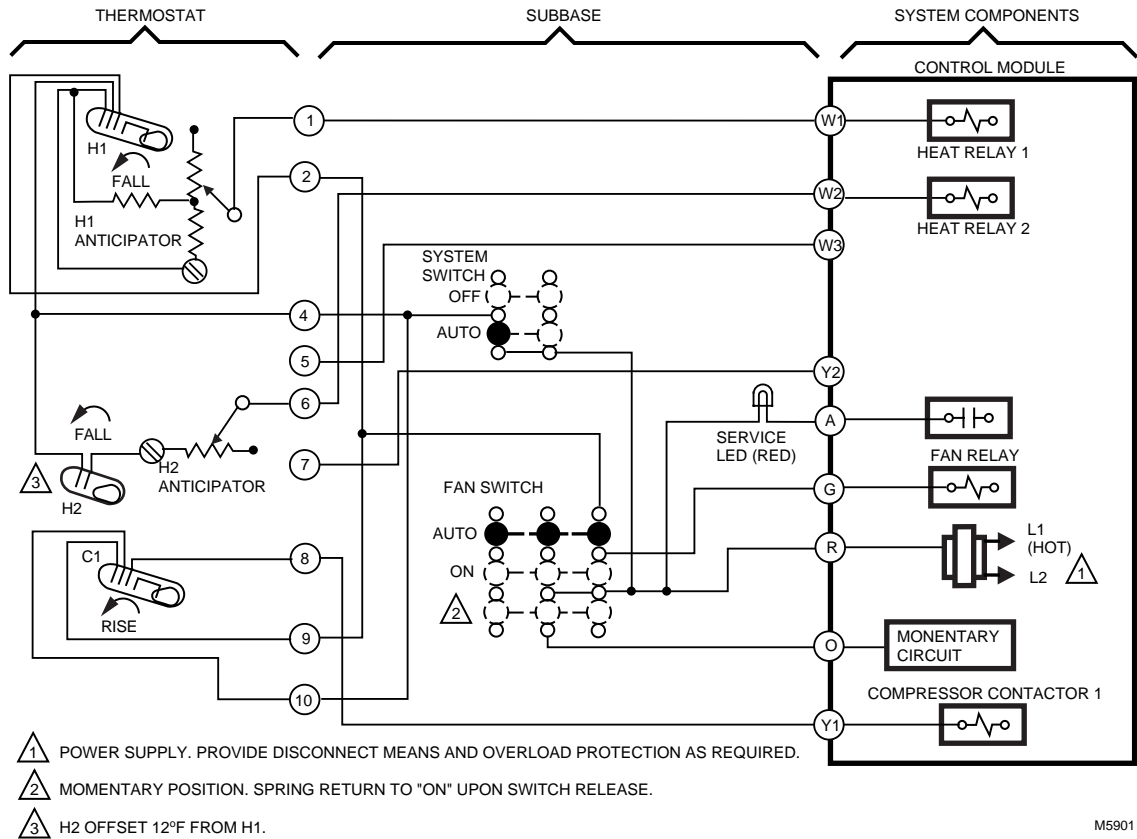


Fig. 218. Schematic and hookup of T874R with Q674L. Used in heat pump applications.



M5901

**Fig. 219. Schematic and hookup of T874C with Q674C. Used in standard applications.**

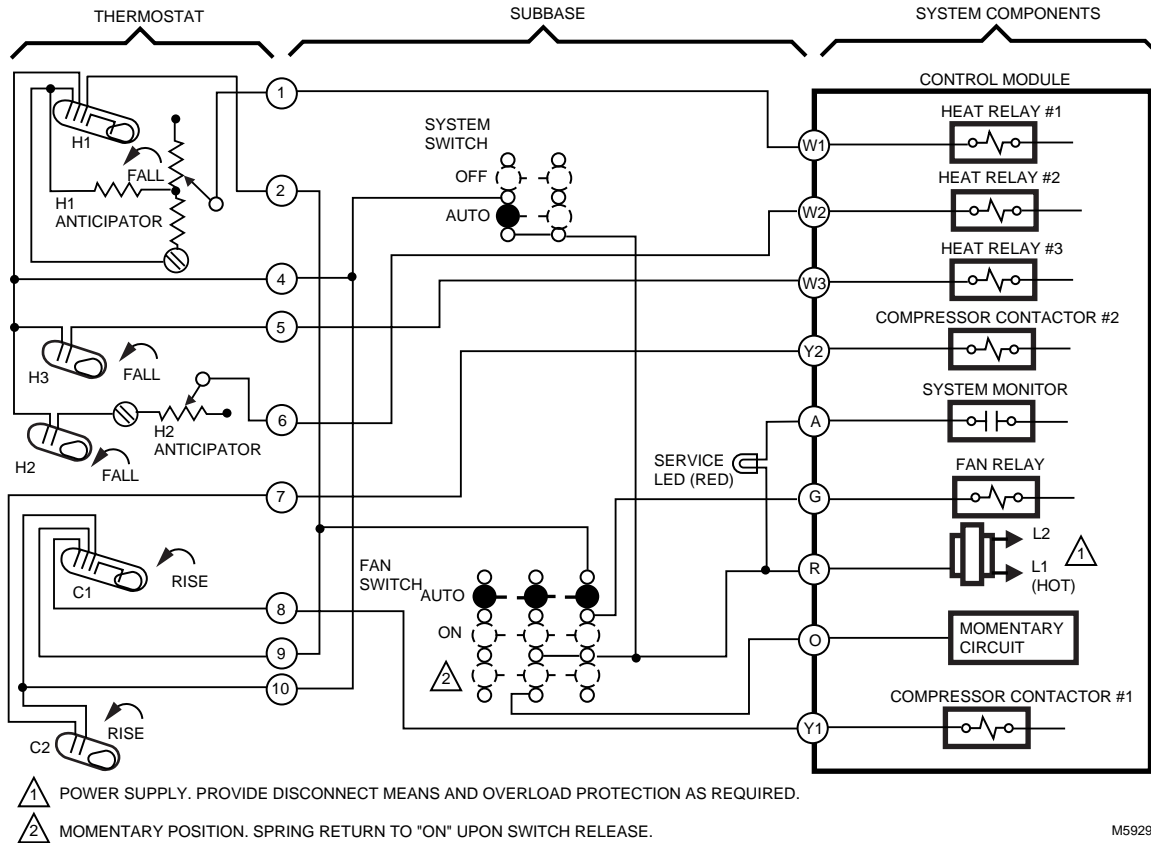


Fig. 220. Schematic and hookup of T874W with Q674C. Used in standard applications.

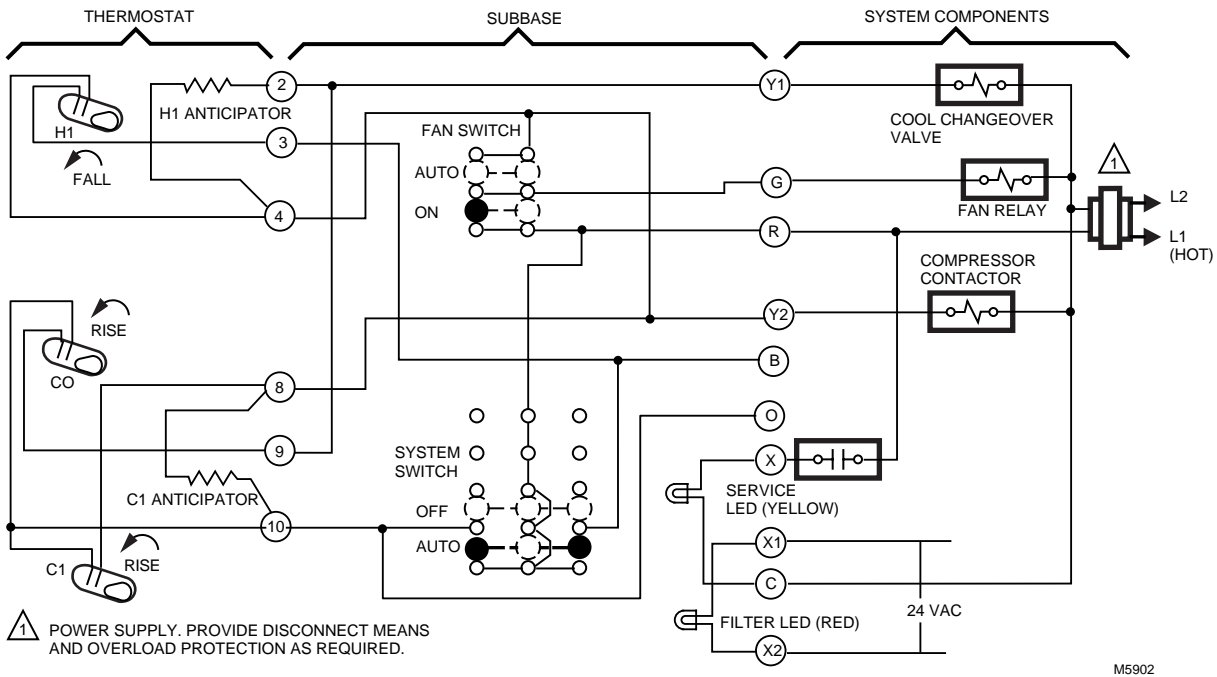


Fig. 221. Schematic and hookup of T874H with Q674C. Used in heat pump applications.

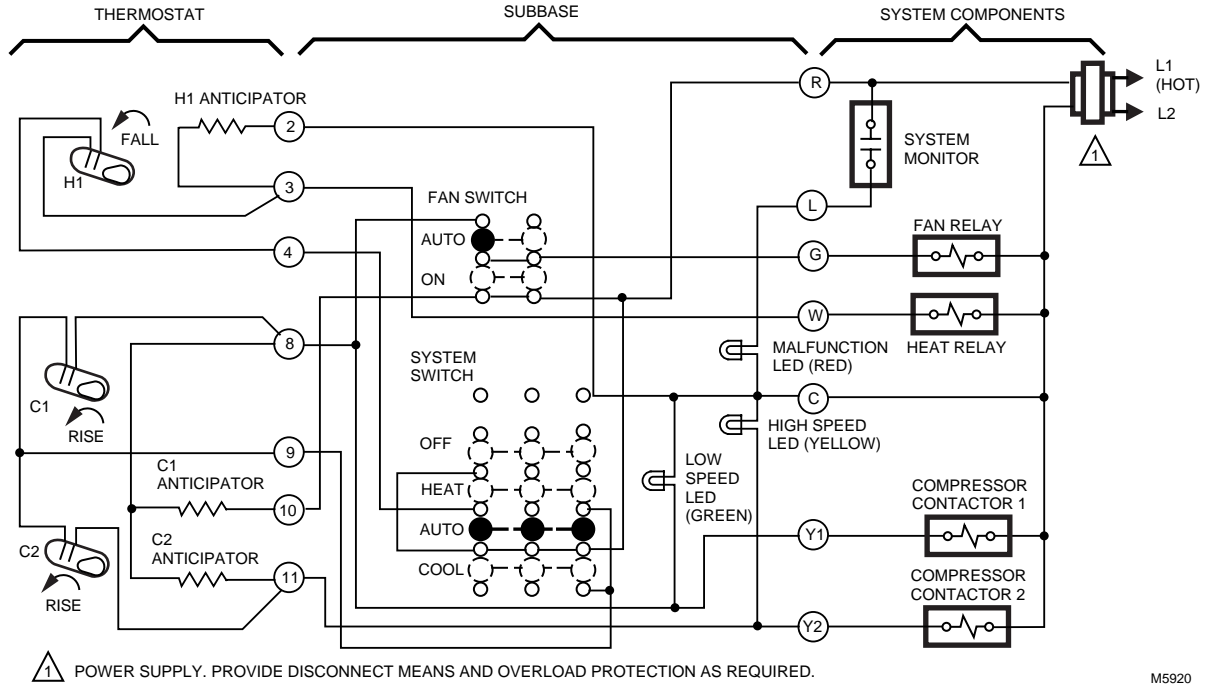


Fig. 222. Schematic and hookup of T874B with Q674E. Used in standard applications.

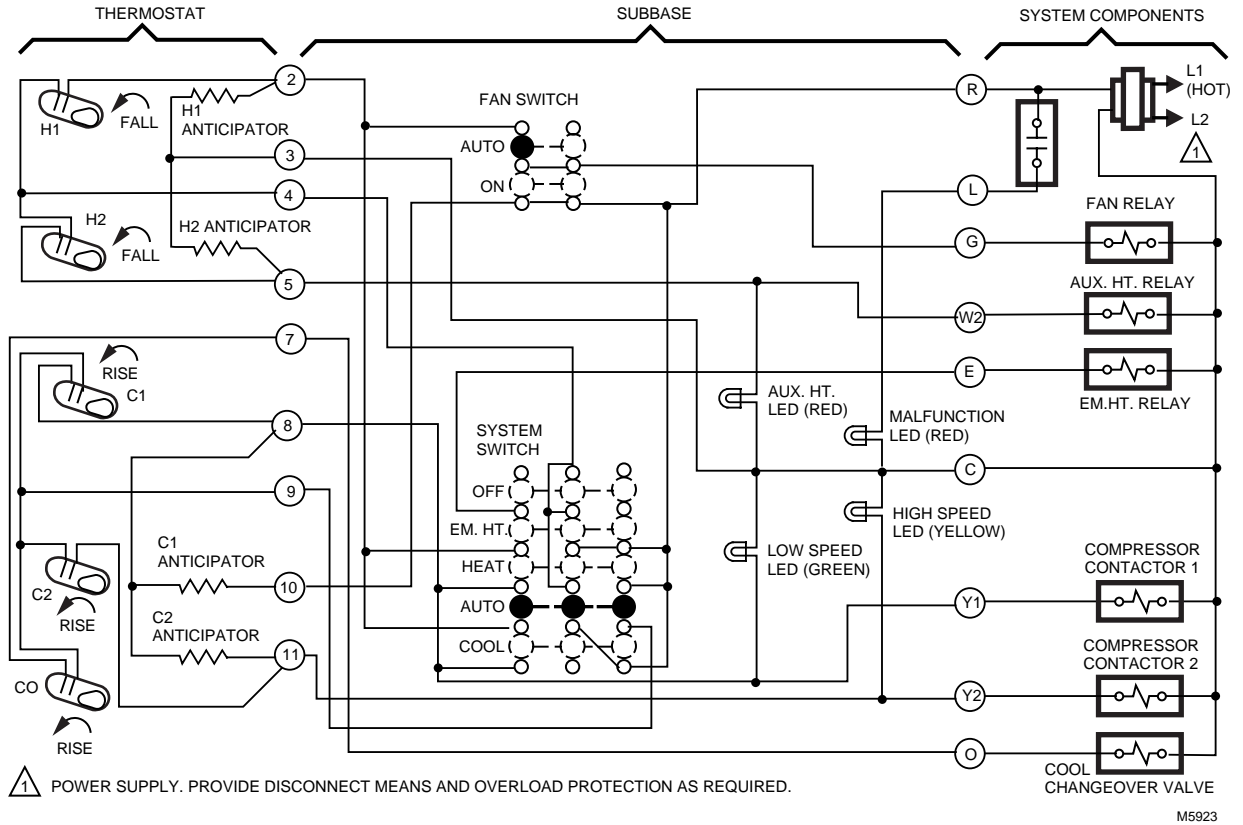


Fig. 223. Schematic and hookup of T874S with Q674F. Used in heat pump applications.

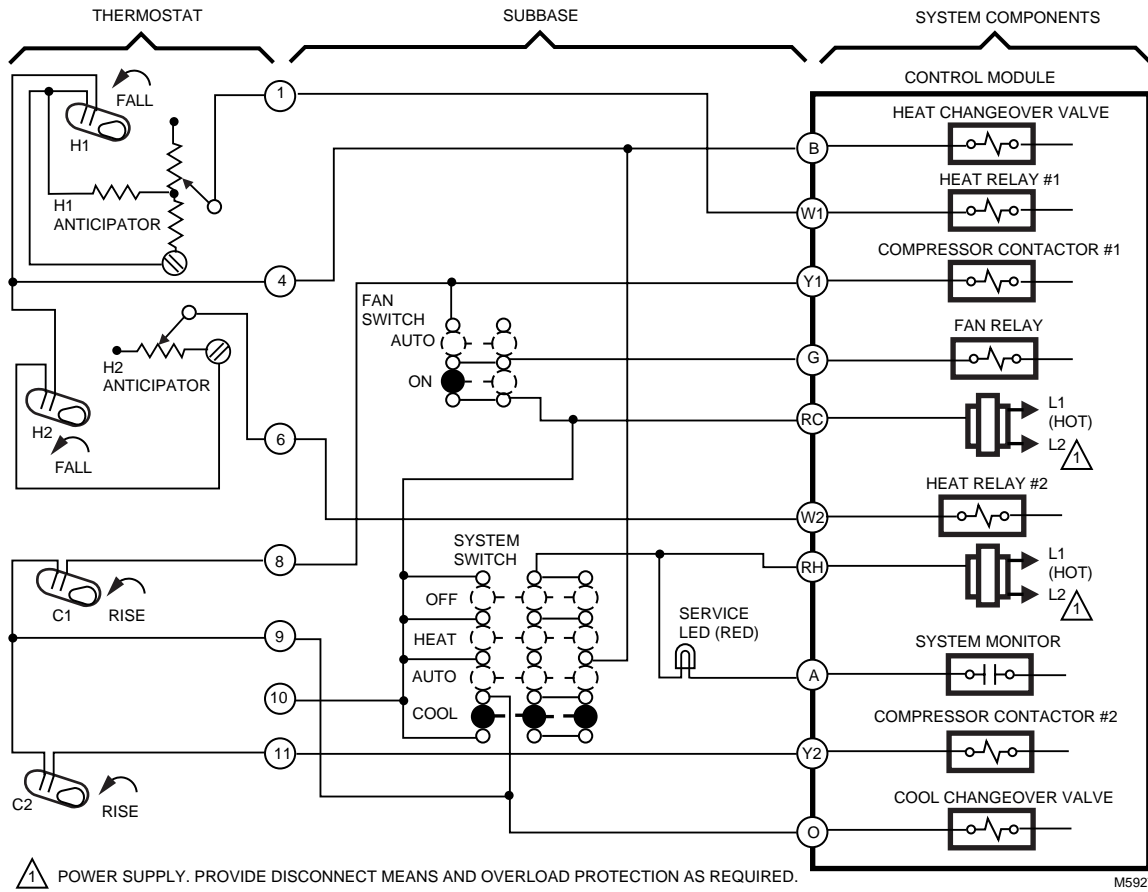


Fig. 224. Schematic and hookup of T874A,D with Q674E. Used in standard applications.



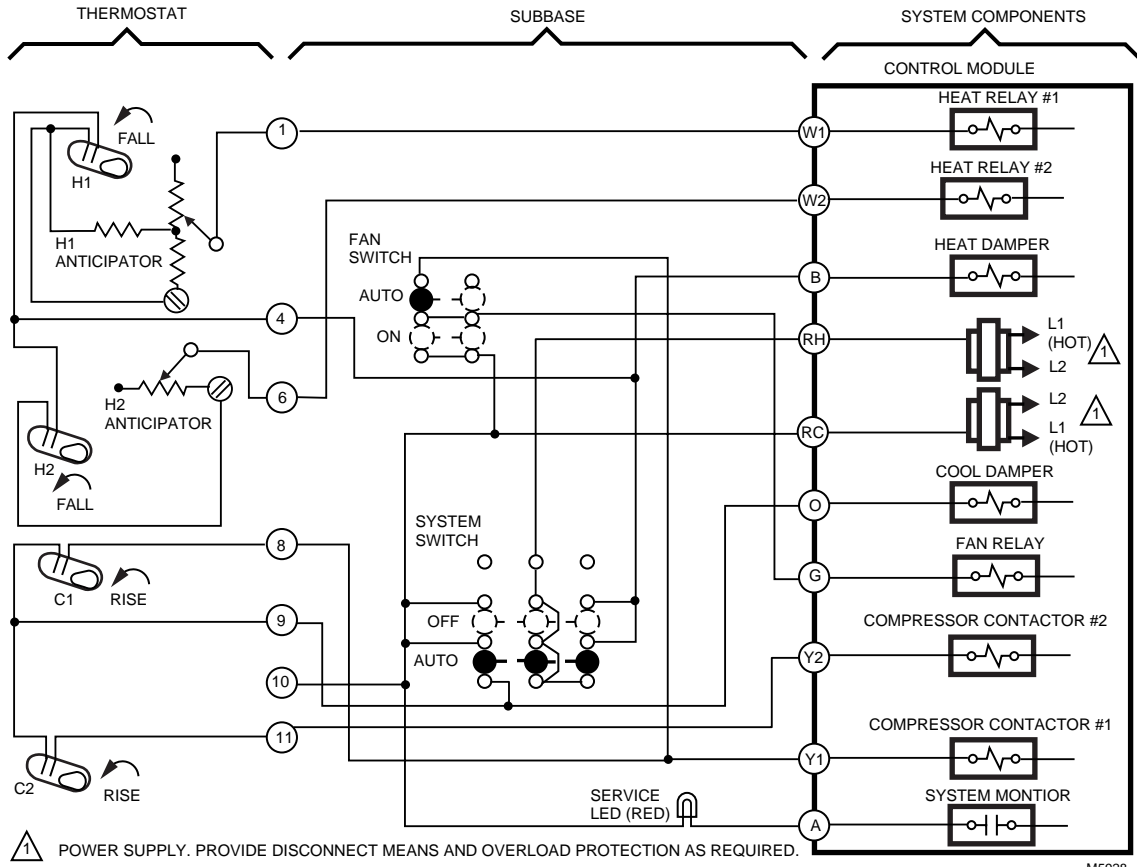


Fig. 225. Schematic and hookup of T874D with Q674C. Used in standard applications.

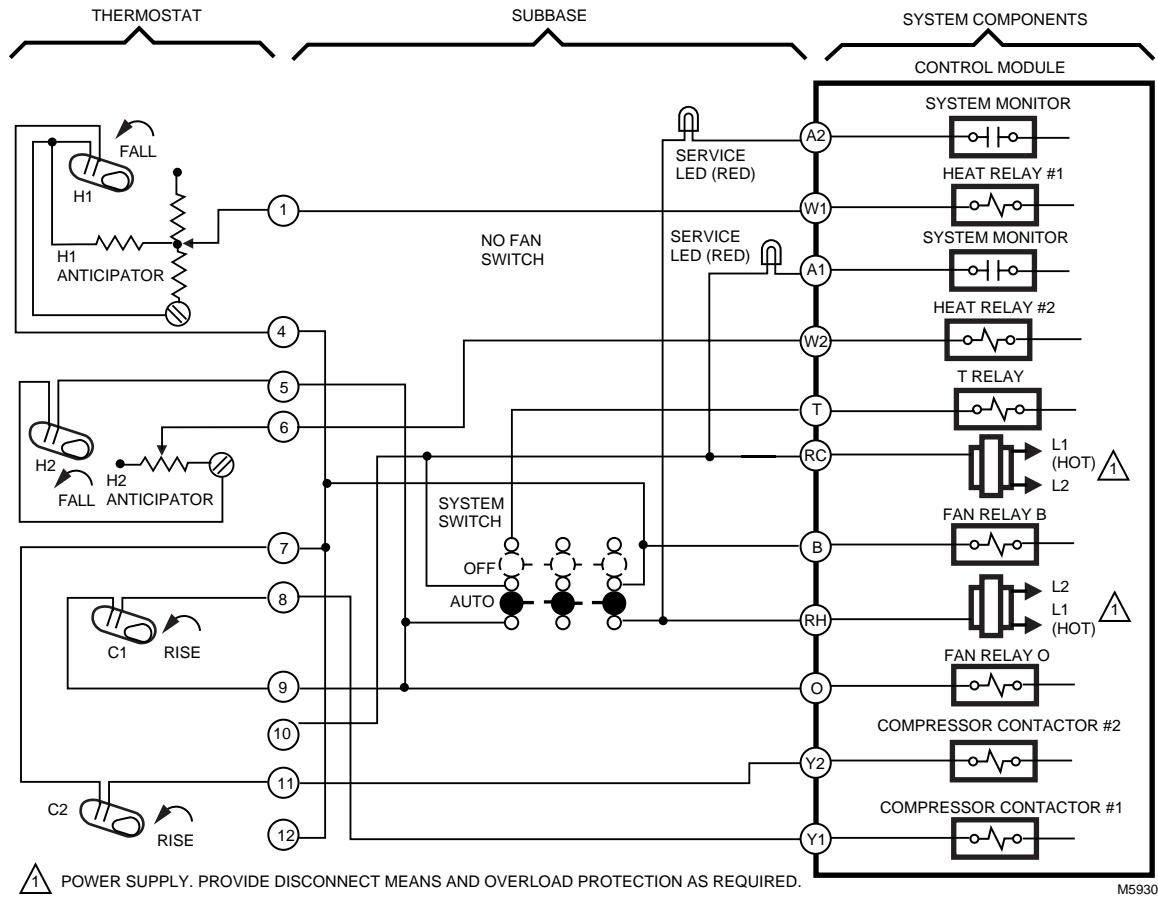


Fig. 226. Schematic and hookup of T874G with Q674G. Used in standard applications.

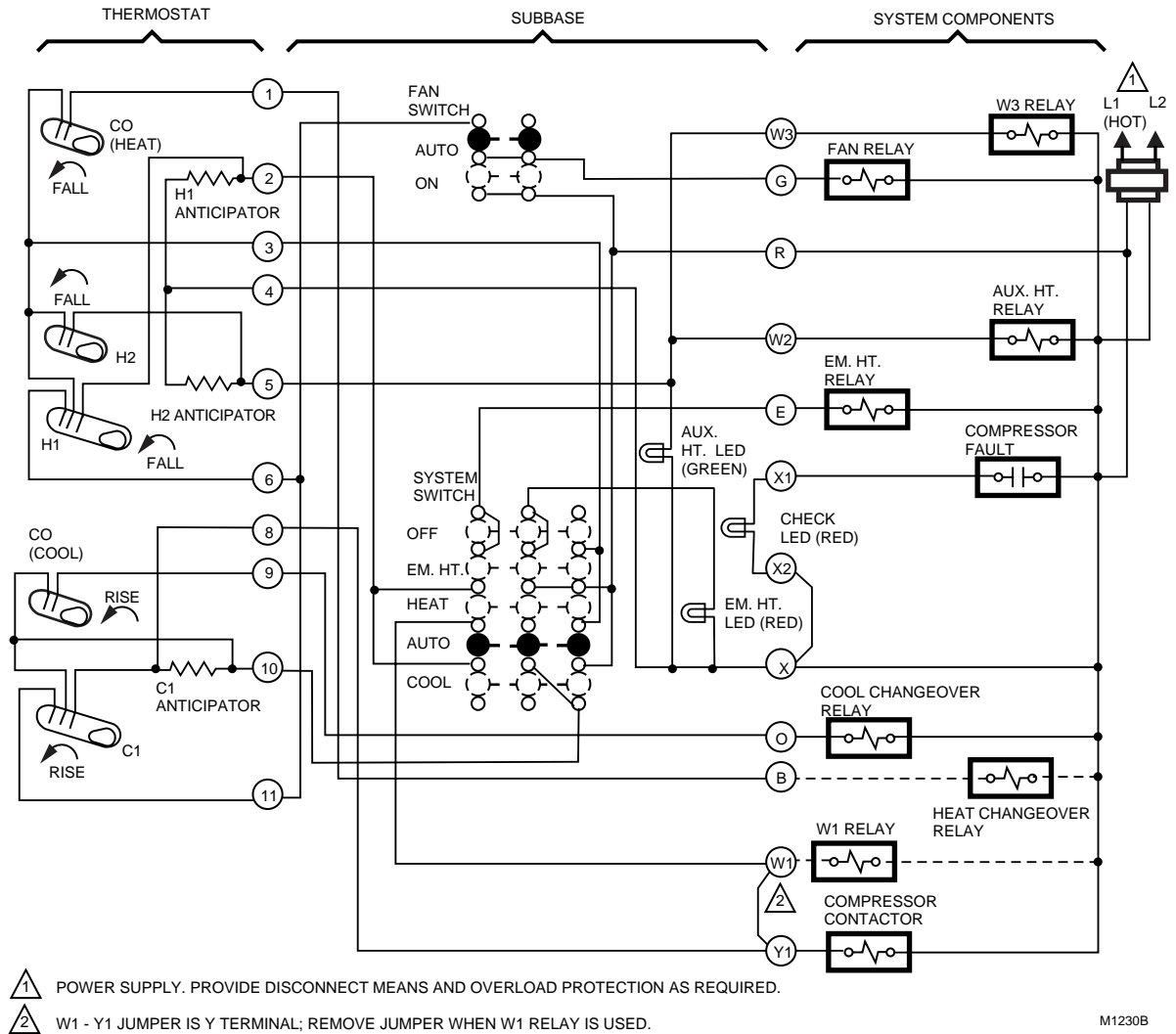
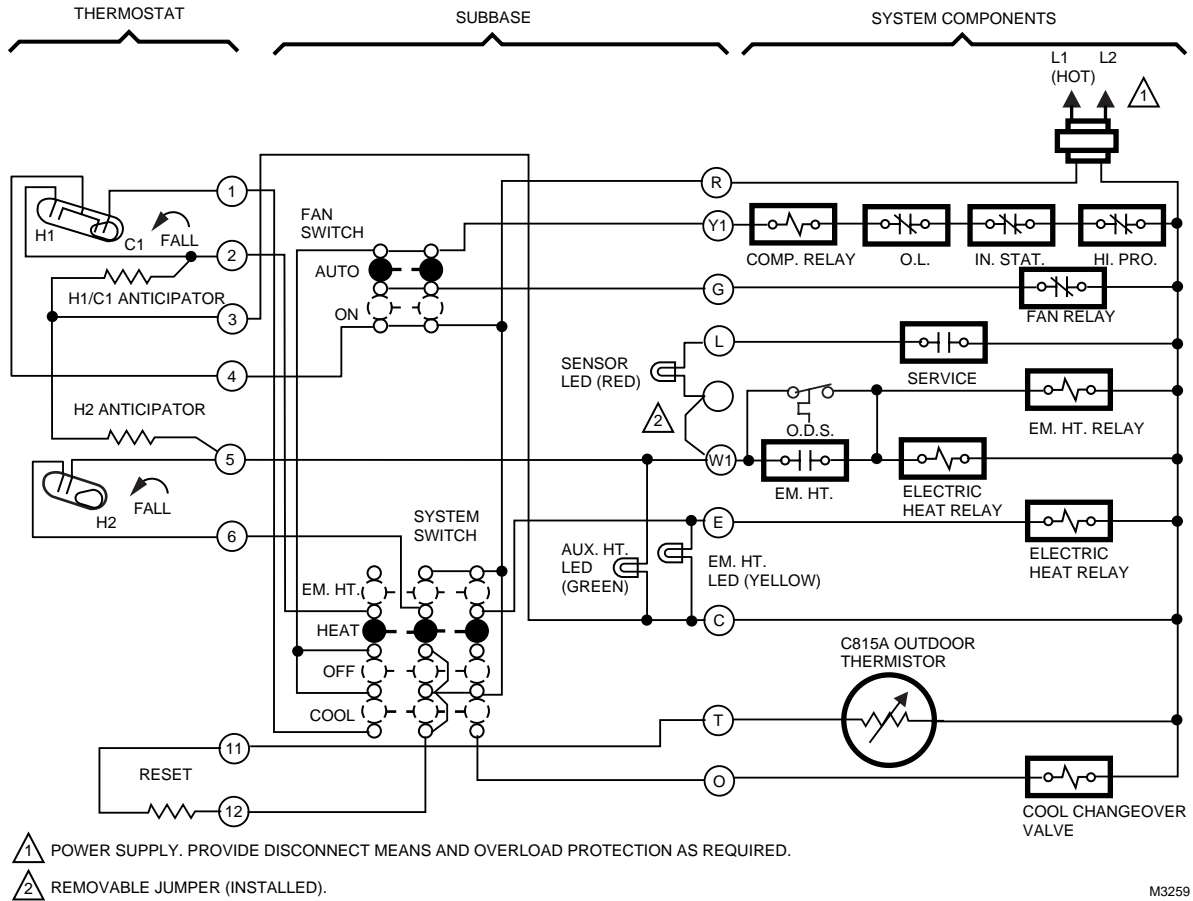


Fig. 227. Schematic and hookup of T874G with Q674F. Used in heat pump applications.



M3259

**Fig. 228. Schematic and hookup of T874R with Q674L. Used in heat pump applications.**

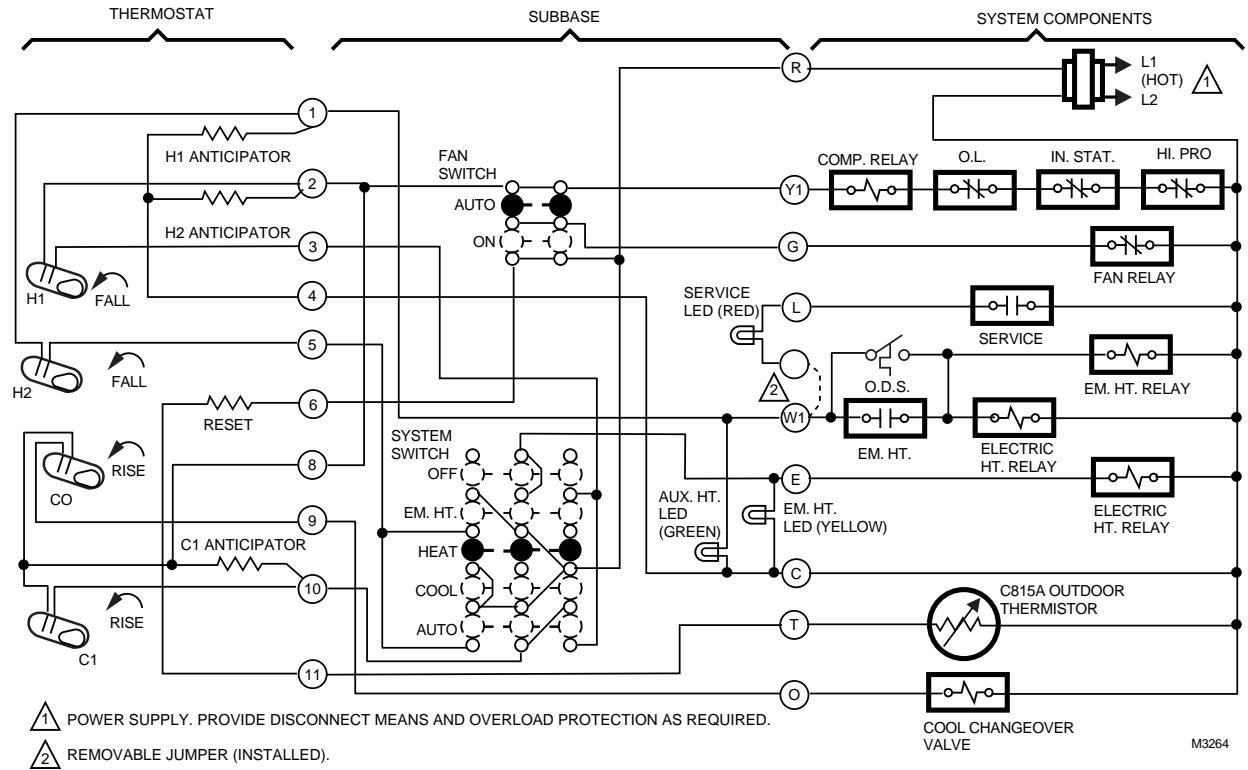


Fig. 229. Schematic and hookup of T874G with Q674F. Used in heat pump applications.

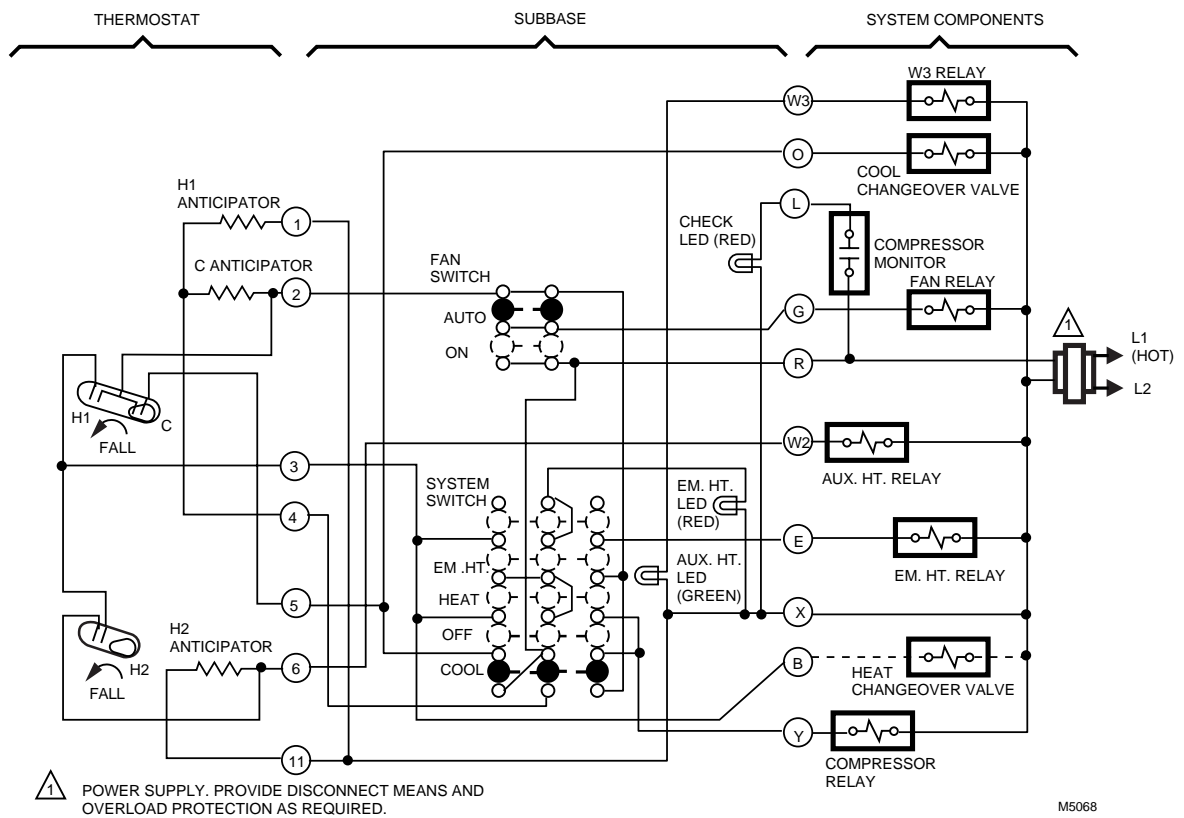
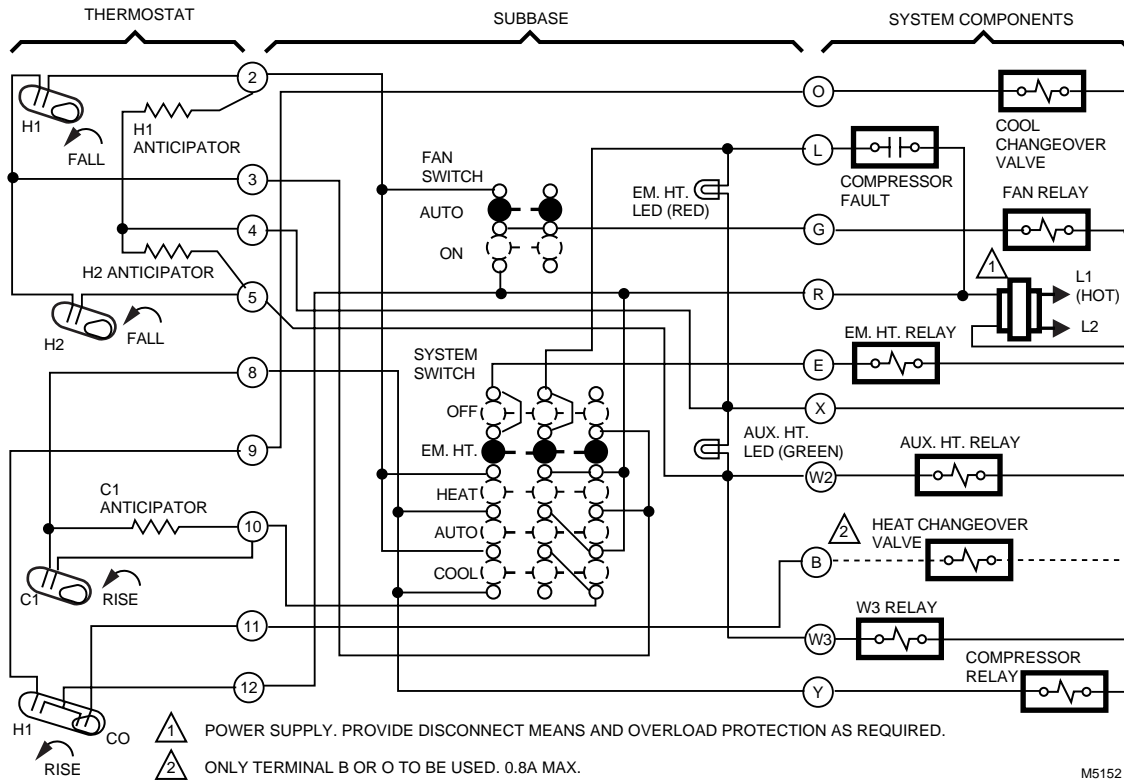
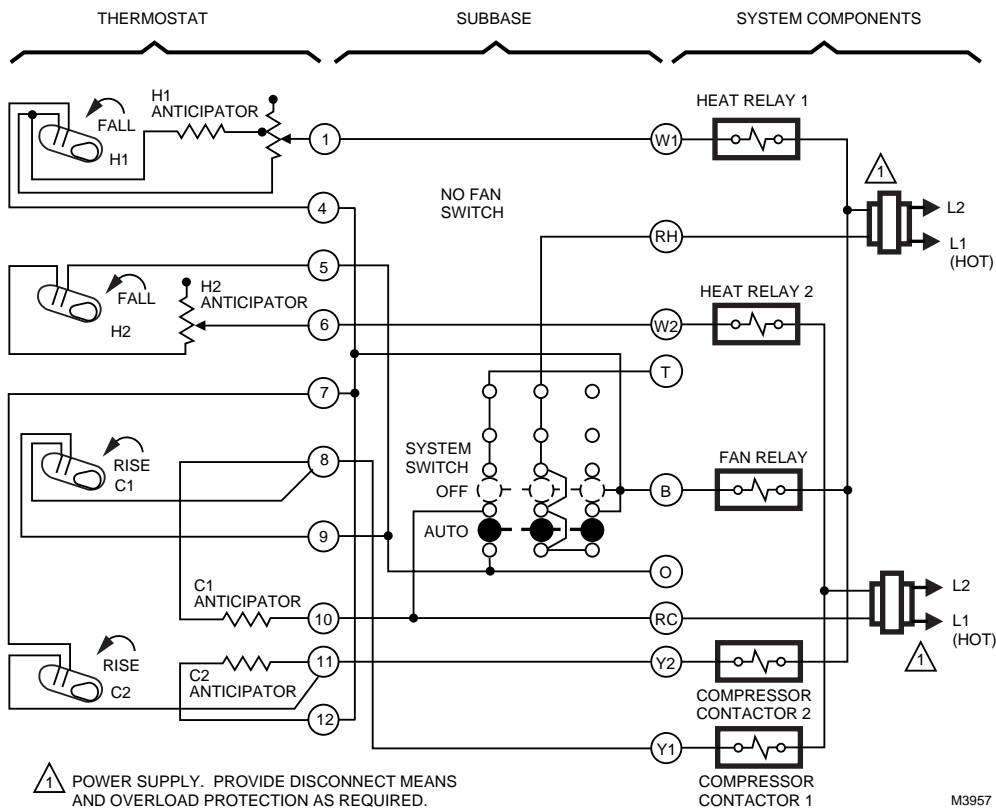


Fig. 230. Schematic and hookup of T874R with Q674L. Used in heat pump applications.



M5152

Fig. 231. Schematic and hookup of T874G with Q674F. Used in heat pump applications.



M3957

Fig. 232. Schematic and hookup of T874D with Q674G. Used in standard applications.

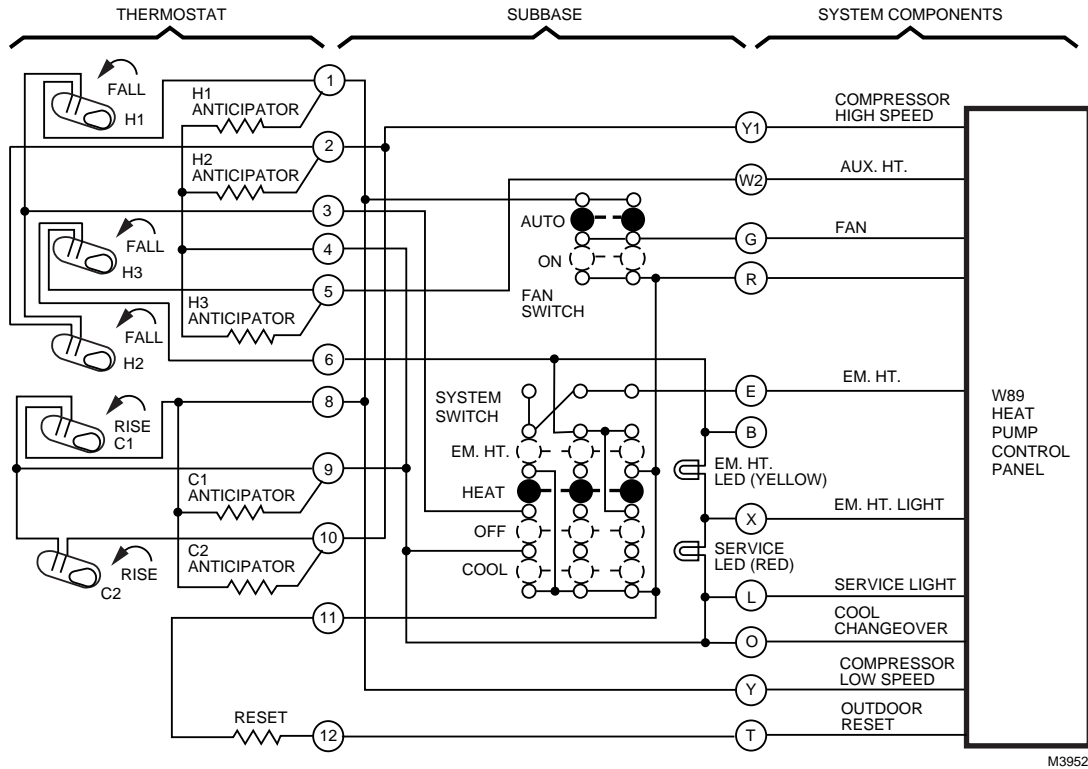


Fig. 233. Schematic and hookup of T874W with Q674L. Used in heat pump applications.

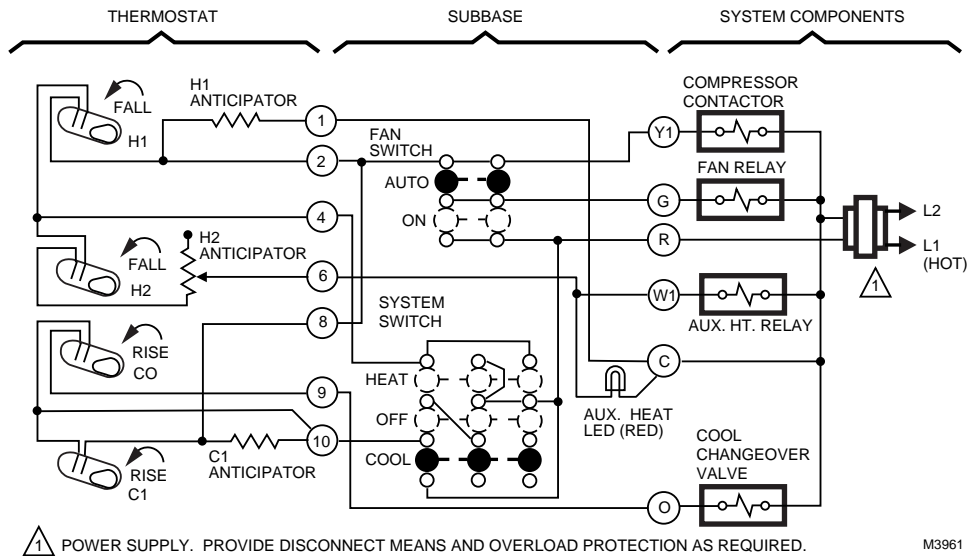


Fig. 234. Schematic and hookup of T874G with Q674B. Used in heat pump applications.

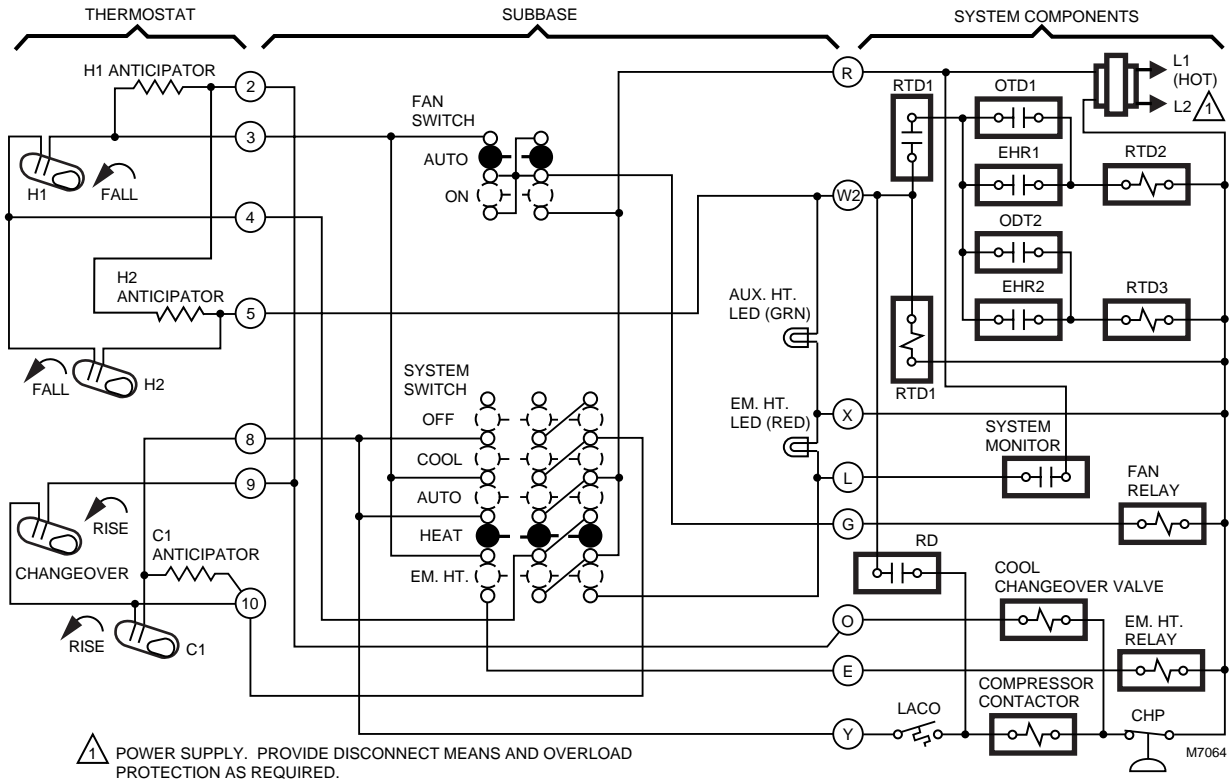


Fig. 235. Schematic and hookup of T874G and Q674F. Used in heat pump applications.

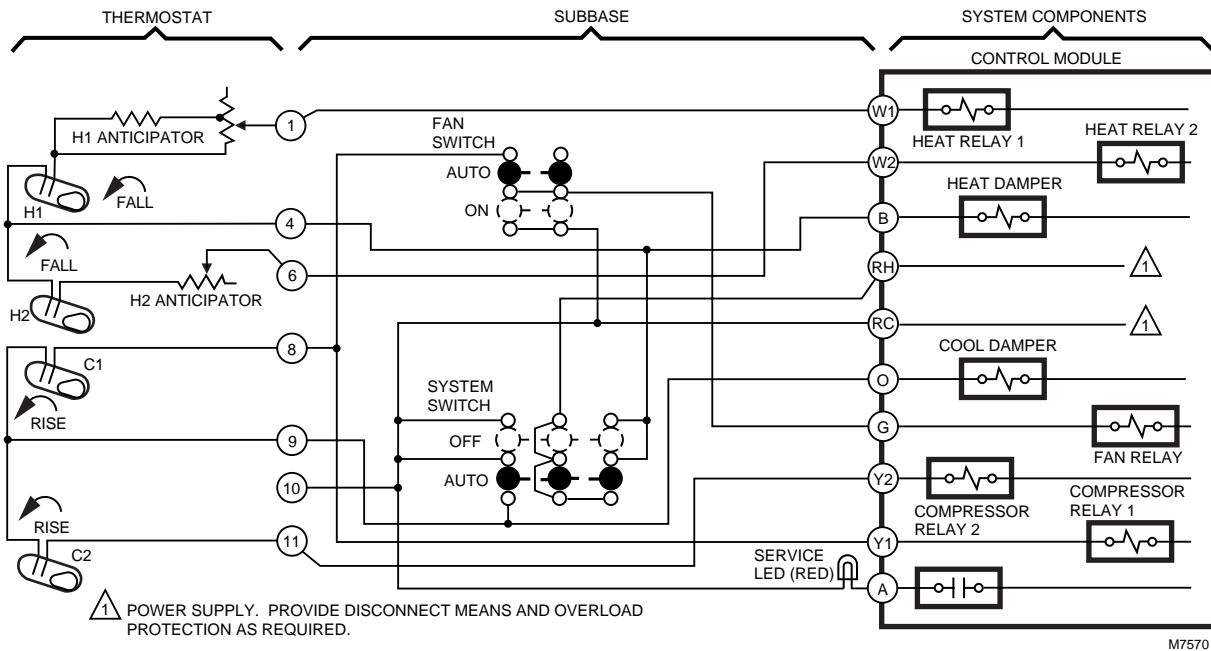


Fig. 236. Schematic and hookup of T874A-D with Q674C. Used in standard applications.



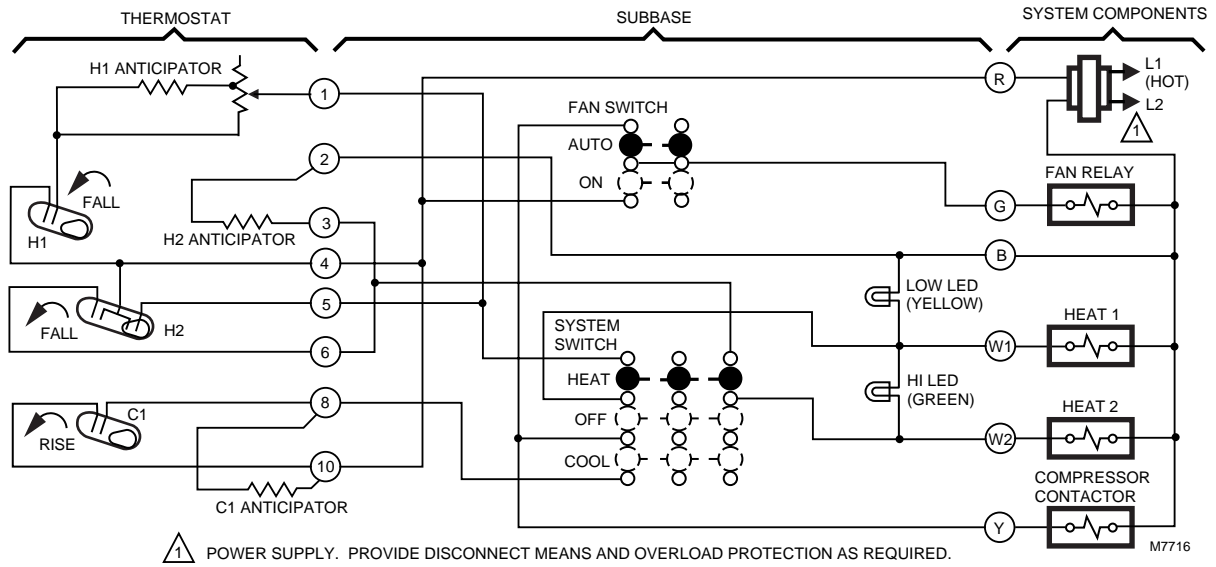


Fig. 237. Schematic and hookup of T874C with Q674B. Used in standard applications.

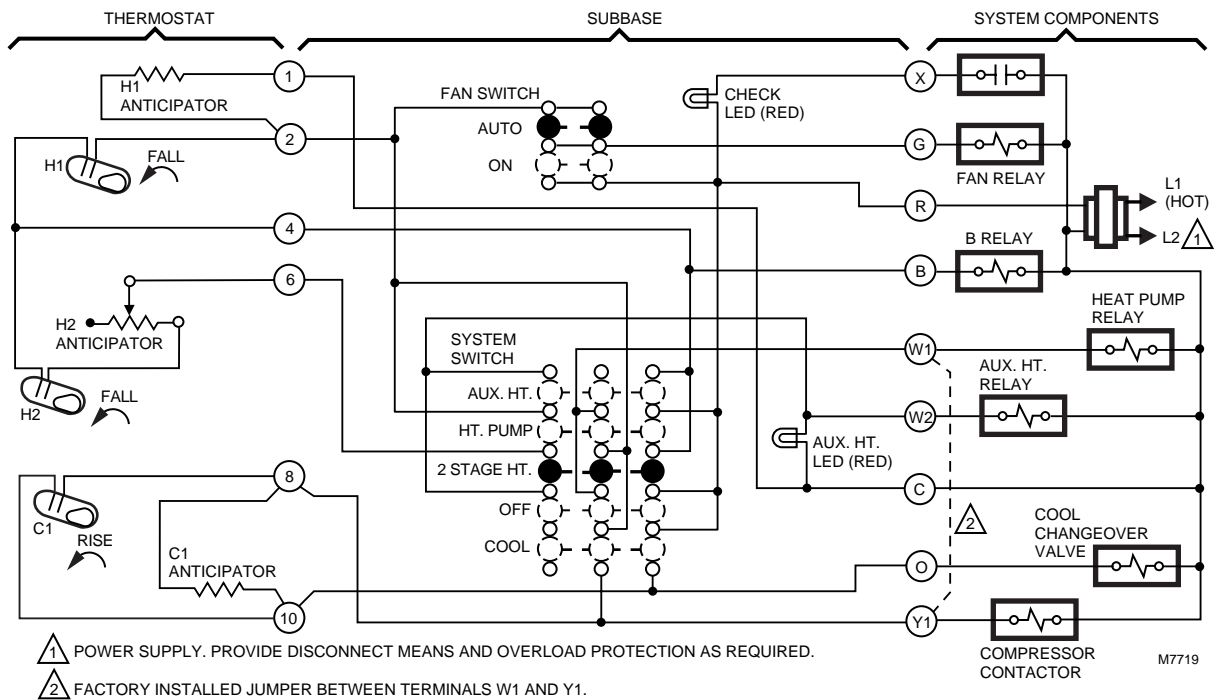


Fig. 238. Schematic and hookup of T874C with Q674F. Used in heat pump applications.

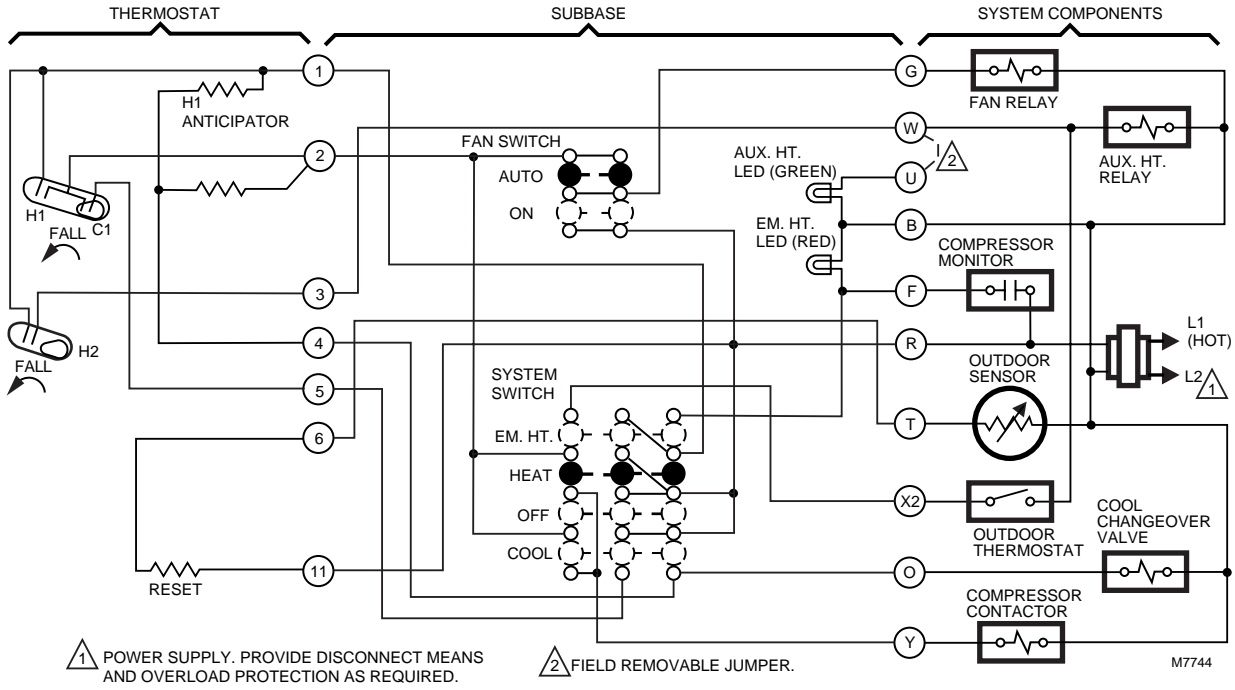


Fig. 239. Schematic and hookup of T874R with Q674L. Used in heat pump applications.

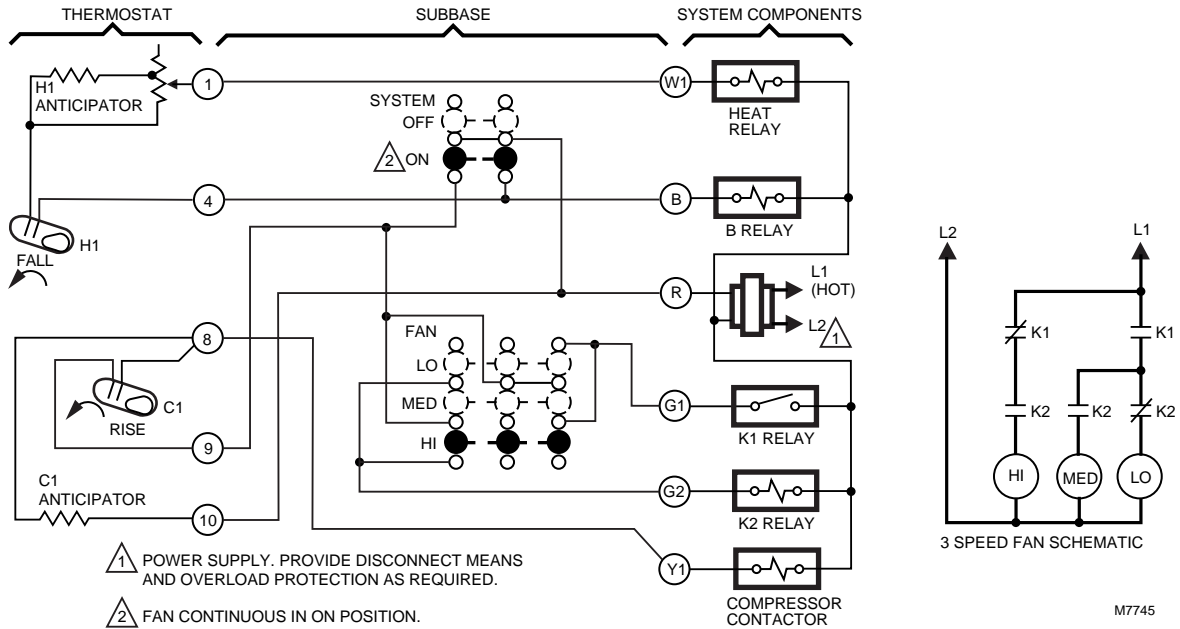


Fig. 240. Schematic and hookup of T874A with Q674W. Used in standard applications.

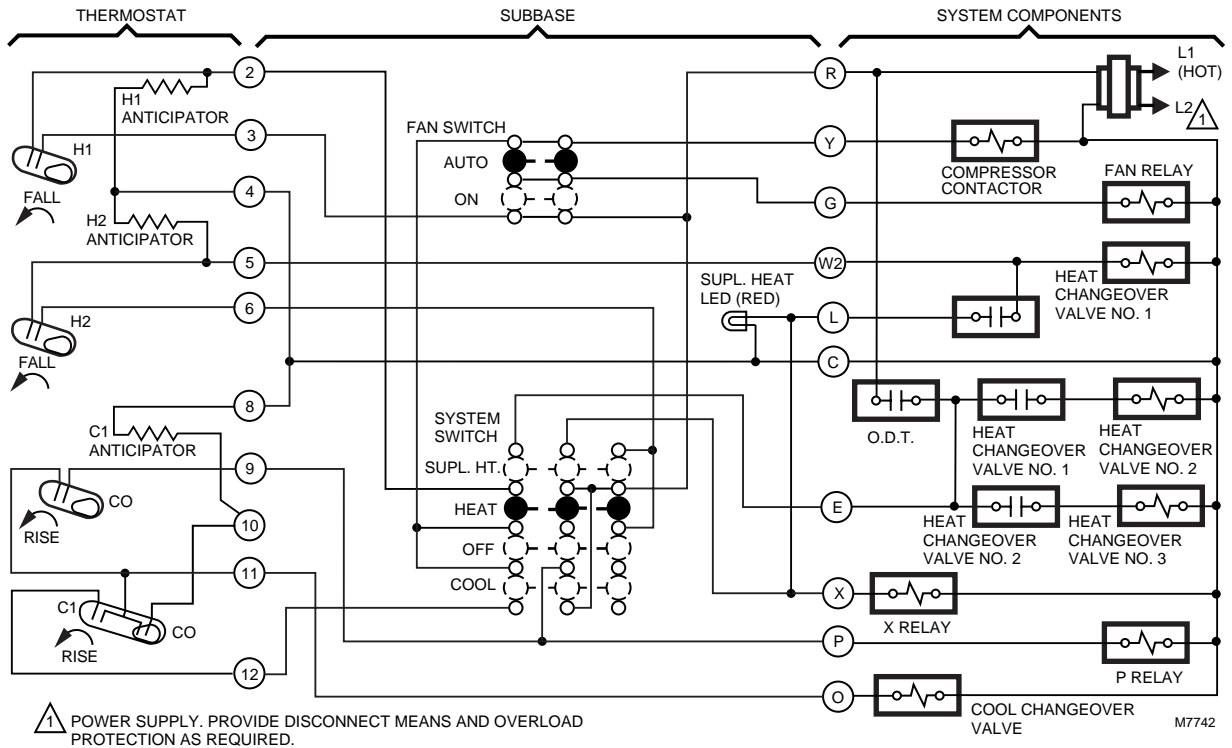


Fig. 241. Schematic and hookup of T874J with Q674L. Used in heat pump applications.

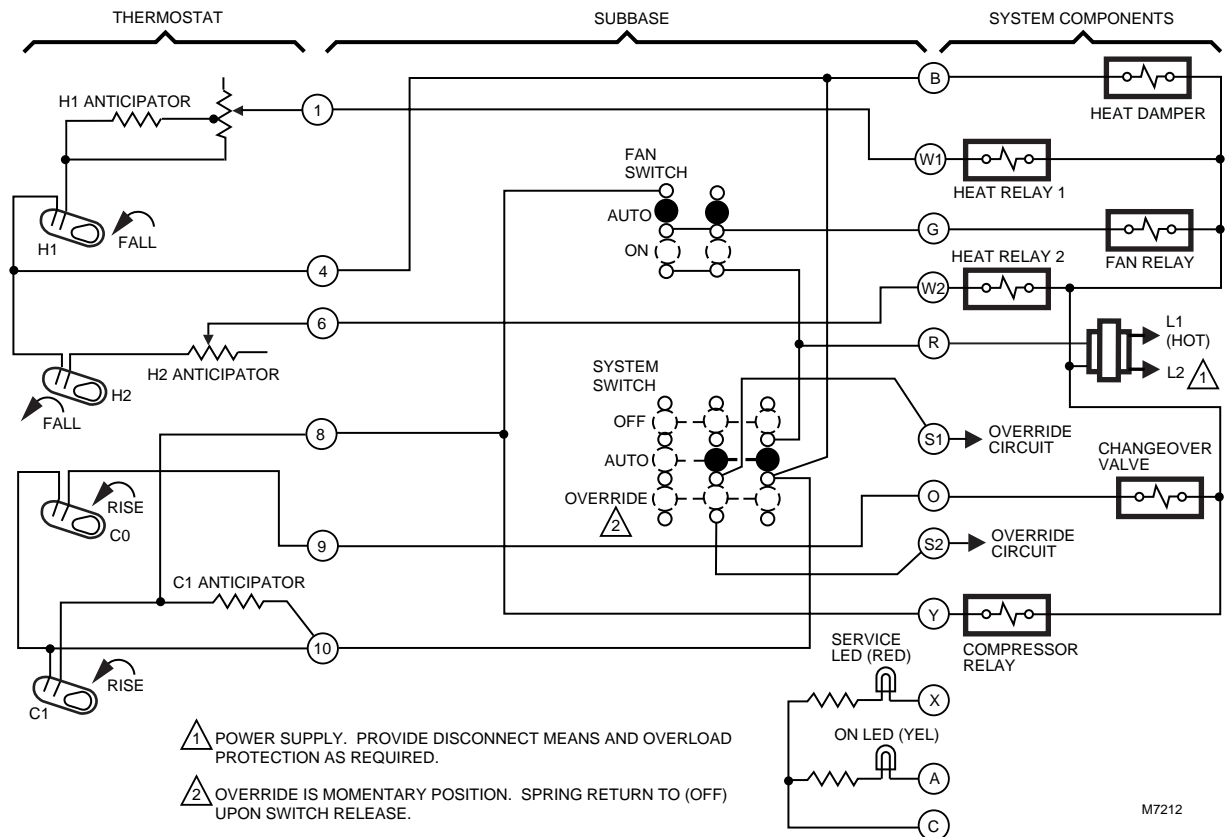


Fig. 242. Schematic and hookup of T874G with Q674C. Used in standard applications.

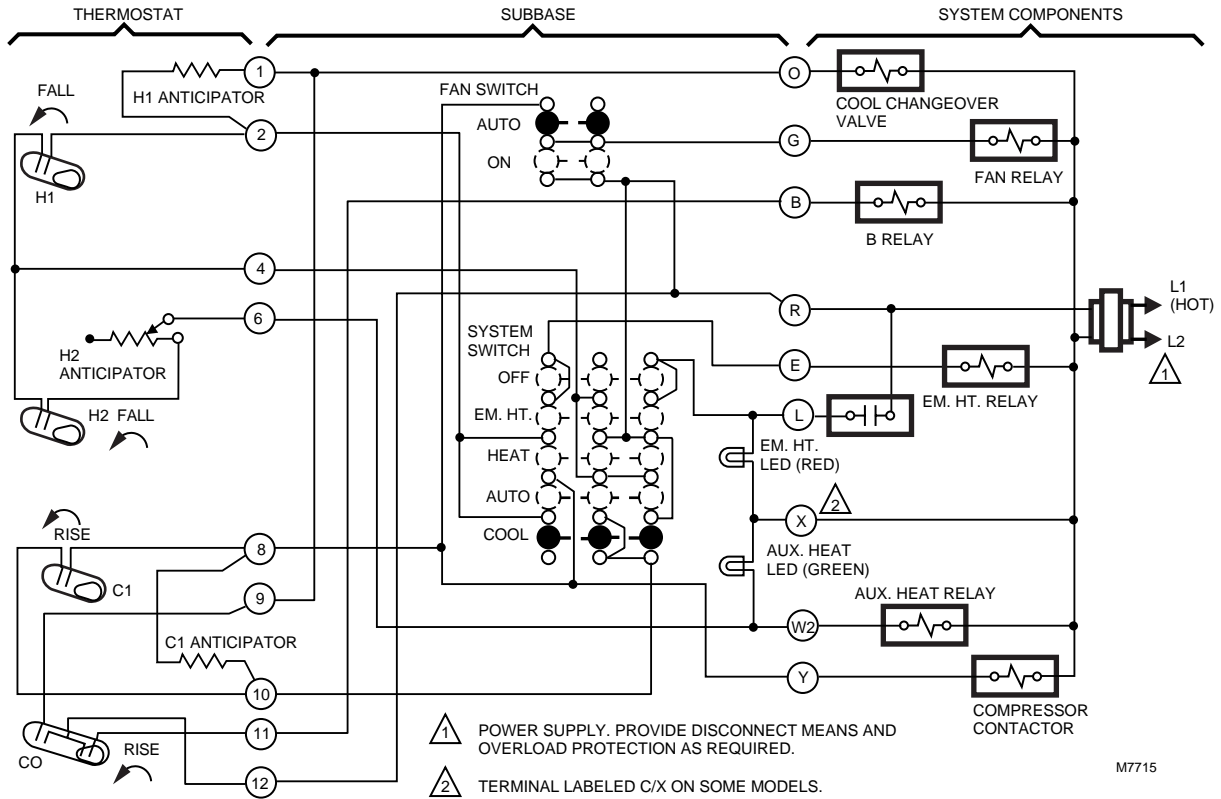


Fig. 243. Schematic and hookup of T874G with Q674F. Used in heat pump applications.

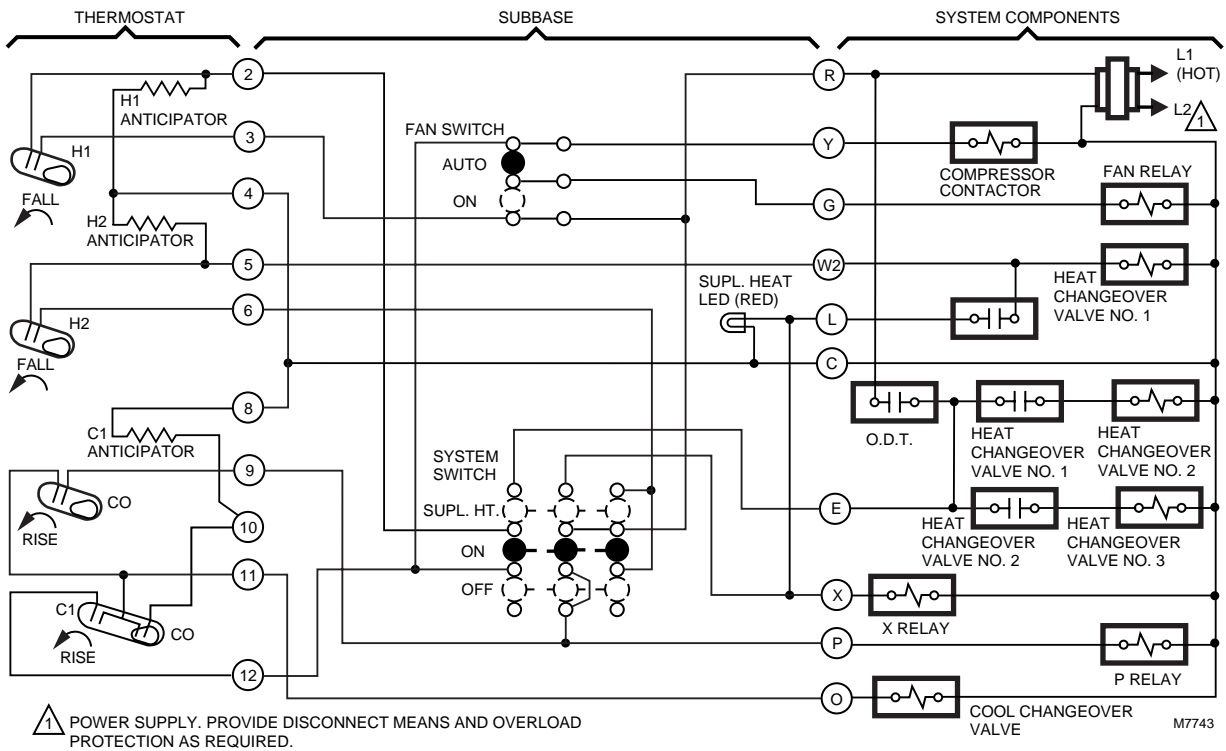


Fig. 244. Schematic and hookup of T874J with Q674J. Used in heat pump applications.

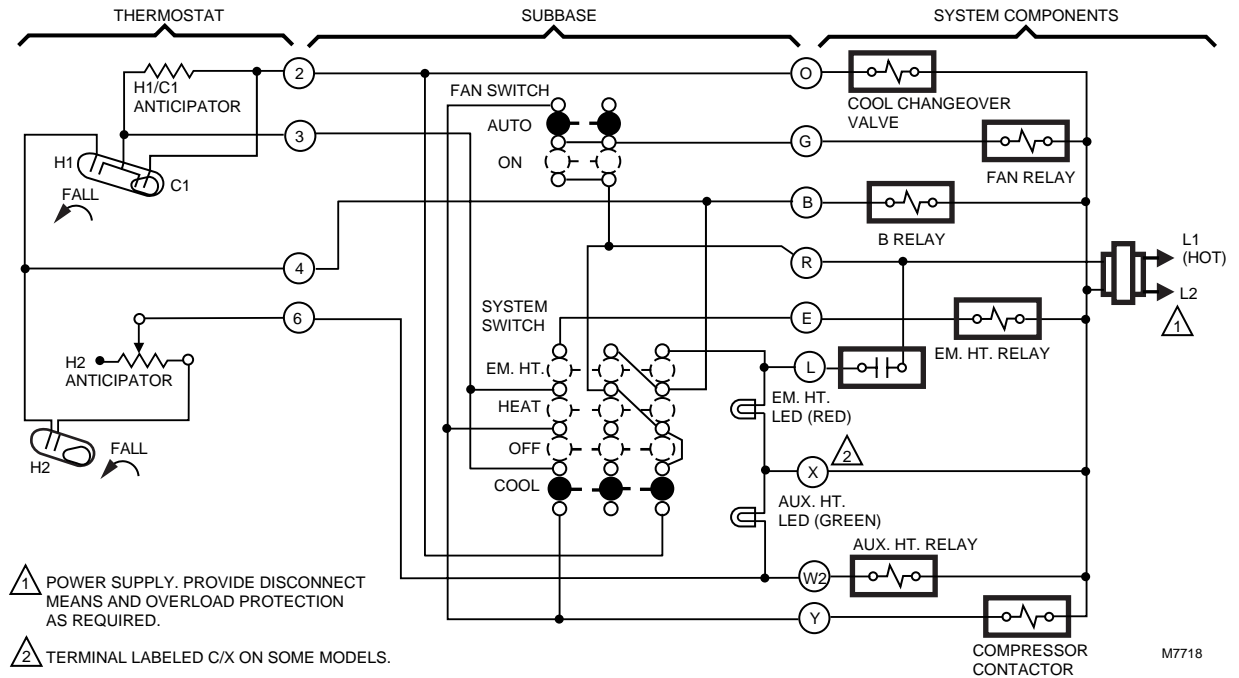


Fig. 245. Schematic and hookup of T874R with Q674L. Used in heat pump applications.

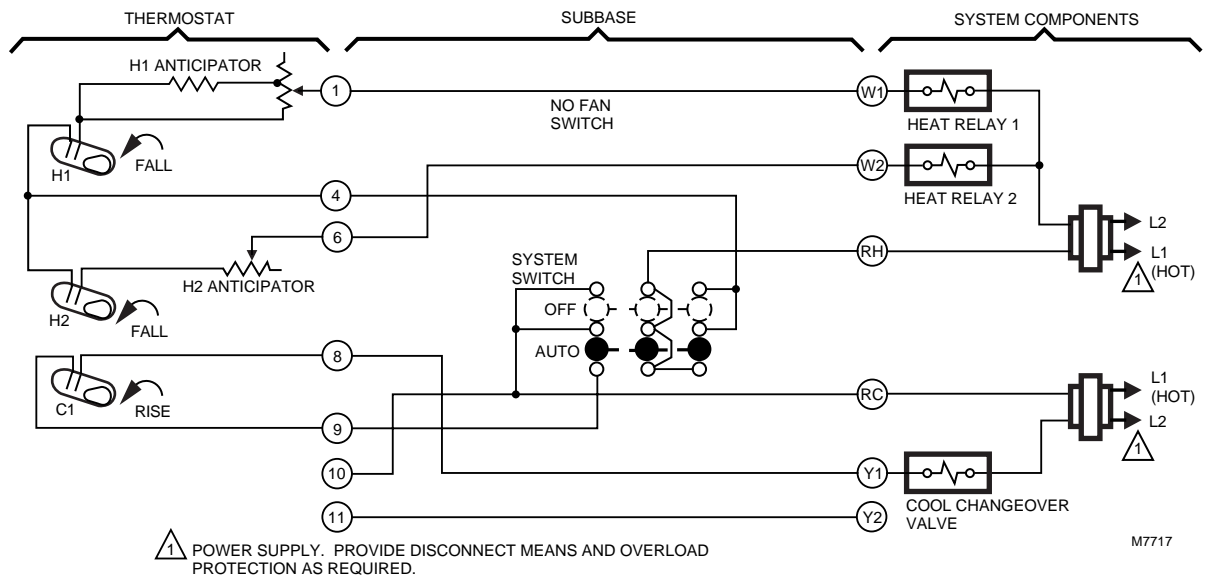


Fig. 246. Schematic and hookup of T874C with Q674G. Used in standard applications.

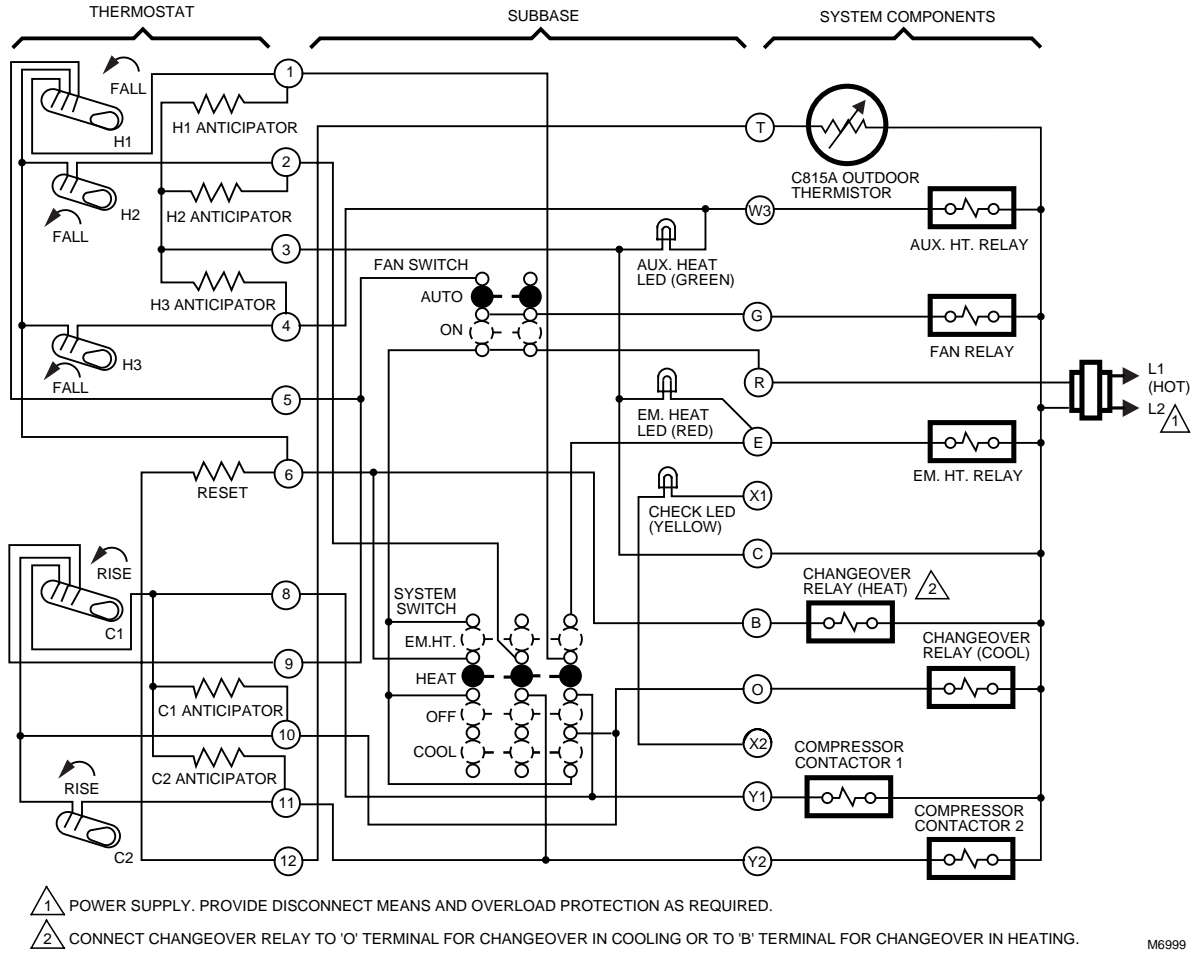


Fig. 247. Schematic and hookup of T874W with Q674L. Used in heat pump applications.

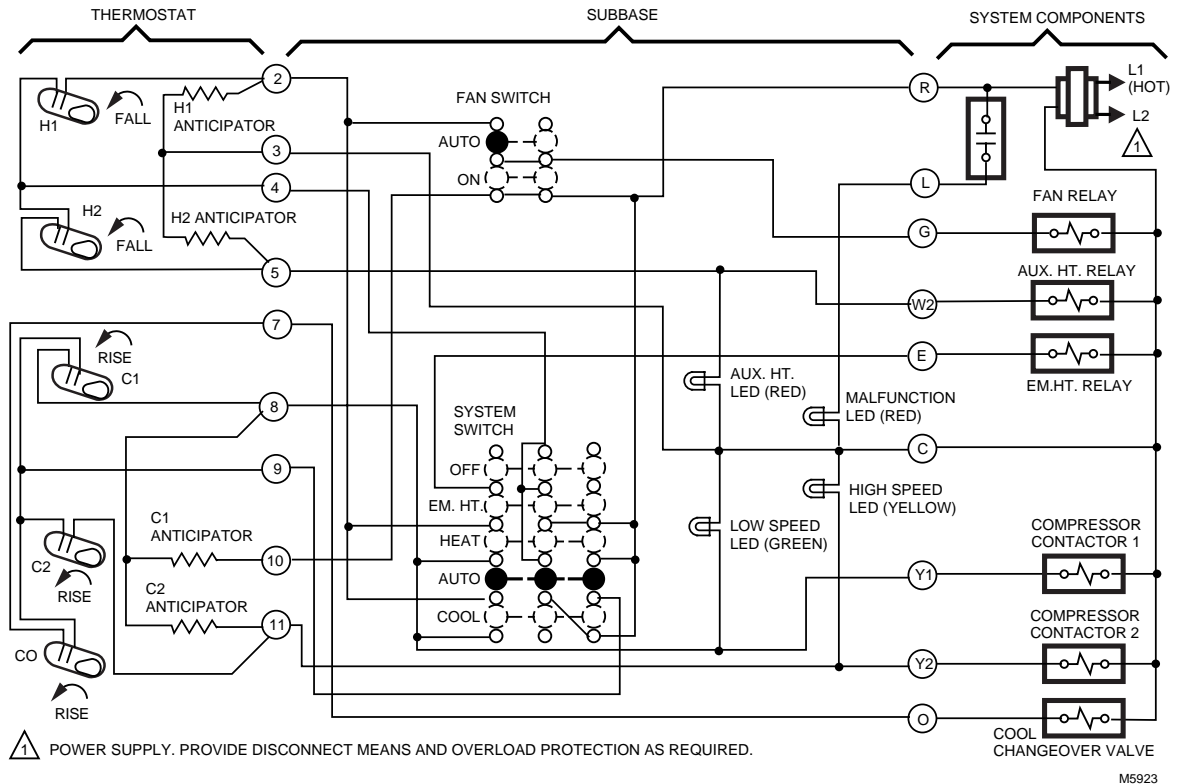


Fig. 248. Schematic and hookup of T874Y with Q674F. Used in heat pump applications.

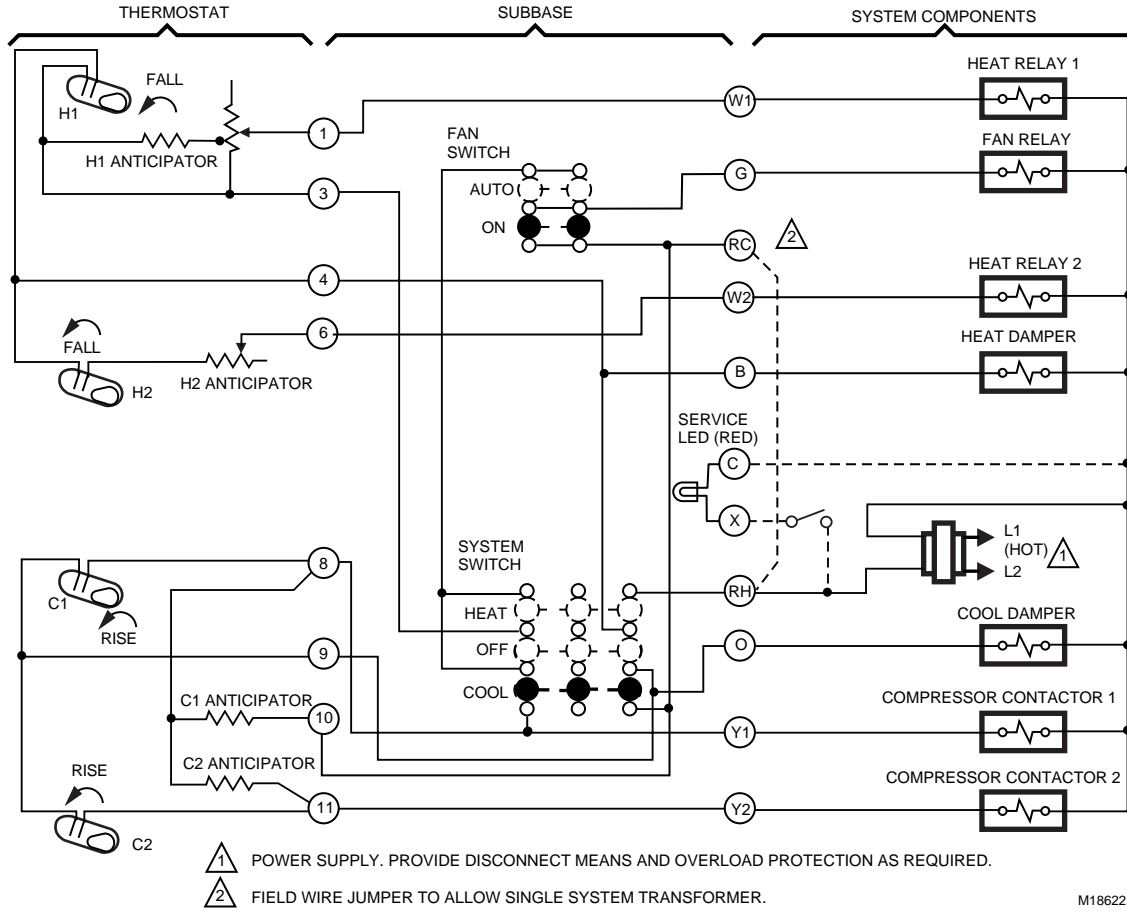


Fig. 249. Schematic and hookup of T874C with Q674B. Used in heat pump applications.

**Honeywell**

**Home and Building Control**  
 Honeywell  
 1985 Douglas Drive North  
 Golden Valley, MN 55422

**Home and Building Control**  
 Honeywell Limited-Honeywell Limitée  
 35 Dynamic Drive  
 Scarborough, Ontario  
 M1V 4Z9