

MS2320

Stratos*H*[™] Scanner / Diva Scale

Installation and User's Guide

Disclaimer

Honeywell International Inc. ("HII") reserves the right to make changes in specifications and other information contained in this document without prior notice, and the reader should in all cases consult HII to determine whether any such changes have been made. The information in this publication does not represent a commitment on the part of HII.

HII shall not be liable for technical or editorial errors or omissions contained herein: nor for incidental or consequential damages resulting from the furnishing, performance, or use of this manual.

This document contains propriety information that is protected by copyright. All rights reserved. No part of this document may be photocopied, reproduced, or translated into another language without the prior written consent of HII.

© 2006 - 2012 Honeywell International Inc. All rights reserved.

Web Address: www.honeywellaidc.com

Trademarks

Stratos*H*, MetroSet, and MetroSelect are a trademarks or registered trademarks of Metrologic Instruments, Inc. in the United States and/or other countries.

Microsoft, Windows, and Windows 95 are trademarks or registered trademarks of Microsoft Corporation.

IBM is a trademark of International Business Machines Corporation.

Other product names mentioned in this manual may be trademarks or registered trademarks of their respective companies and are the property of their respective owners.

Patents

For patent information, please refer to www.honeywellaidc.com/Patents.

TABLE OF CONTENTS

INTRODUCTION

| | |
|-------------------------------------------------------|---|
| Manual Scope | 1 |
| Product Overview | 1 |
| Base Kit Components..... | 2 |
| Optional Accessories..... | 2 |
| Replacement Parts..... | 4 |
| General Precautions..... | 5 |
| MS2320 Scanner/Diva Scale Design Specifications | 6 |

BASE MODEL CHARACTERISTICS

| | |
|---------------------------------------|---|
| MS2320 Scanner/Diva Scale..... | 7 |
| Components..... | 7 |
| Dimensions..... | 8 |
| Connector Panel..... | 8 |
| Caution and Serial Number Labels..... | 9 |

INSTALLATION

| | |
|-----------------------------------------------------|----|
| Quick Installation Outline..... | 10 |
| Site Requirements..... | 10 |
| Vertical Clearance | 10 |
| Ventilation and Spacing..... | 10 |
| Service Access..... | 10 |
| Power Installation | 11 |
| Checkout Counter Layout Consideration..... | 11 |
| Unpacking the Unit | 12 |
| MS2320 Package Warning..... | 13 |
| Lifting the Unit by the Handles..... | 13 |
| MS2320 Mounting Diagram (Two Point Support) | 14 |
| MS2320 Mounting Diagram (Three Point Support) | 15 |
| Cable Installation (Interface Specific) | 16 |
| RS232 | 16 |
| Full Speed USB..... | 18 |
| IBM OEM..... | 19 |
| Serial Emulation Mode | 19 |
| Keyboard Emulation Mode | 19 |
| RS485 | 21 |

TABLE OF CONTENTS

| | |
|-------------------------------------------------------------------|----|
| Cable Installation (Secondary Honeywell Scanner)..... | 23 |
| EAS Deactivation | 25 |
| SCANNER OPERATION | |
| Scan Zone..... | 26 |
| IR Activation Area (IR LED Output)..... | 28 |
| Indicator Descriptions | 29 |
| Audible | 29 |
| Visual | 29 |
| Failure | 30 |
| Diagnostic Indicator Display; Error Codes..... | 31 |
| Power Save Modes | 33 |
| Beeper Options and Button Functions..... | 34 |
| Beeper Tone and Volume Control | 34 |
| The Multi-Function Button | 34 |
| Startup..... | 35 |
| Power-Up Test Mode | 35 |
| Configuration Mode | 35 |
| SCALE OPERATION | |
| Scale Zeroing | 36 |
| Calibration | 37 |
| Tools Required | 37 |
| Scale Calibration Methods..... | 37 |
| Priming the Scale for Calibration (lbs. & kg)..... | 38 |
| Scale Calibration Procedure (lbs. & kg) with Remote Display | 39 |
| Bar Code Calibration Procedure without Remote Display | 42 |
| Calibration Verification | 46 |
| U.S. Pounds (lbs.) | 46 |
| Kilograms (kg) | 47 |
| Security Seal Installation | 48 |
| Pressure Sensitive Security Seal | 48 |
| Wire Security Seal (Conversion Kit 46-00359) | 49 |
| MAINTENANCE | |
| Platter / Horizontal Scan Window Replacement..... | 50 |
| Vertical Scan Window Replacement | 51 |
| Daily Maintenance..... | 51 |

TABLE OF CONTENTS

TROUBLESHOOTING

| | |
|-----------------------------------------------|----|
| Troubleshooting Symptom / Solution Chart..... | 52 |
|-----------------------------------------------|----|

SCANNER AND CABLE TERMINATIONS

| | |
|----------------------------------|----|
| Scanner Pinout Connections | 54 |
|----------------------------------|----|

| | |
|--------------------------------------|----|
| Cable Connector Configurations | 56 |
|--------------------------------------|----|

REGULATORY COMPLIANCE

| | |
|--------------|----|
| Safety | 58 |
|--------------|----|

| | |
|-----------|----|
| EMC | 59 |
|-----------|----|

| | |
|--------------------------|----|
| Weights & Measures | 60 |
|--------------------------|----|

| | |
|-------------------------------|-----------|
| LIMITED WARRANTY | 61 |
|-------------------------------|-----------|

| | |
|-------------------|-----------|
| INDEX..... | 62 |
|-------------------|-----------|

CUSTOMER SUPPORT

| | |
|---------------------------|----|
| Technical Assistance..... | 64 |
|---------------------------|----|

| | |
|---------------------------------|----|
| Product Service and Repair..... | 64 |
|---------------------------------|----|

INTRODUCTION

MANUAL SCOPE

This guide provides information on the installation, setup and operation of Honeywell's Stratos^{H™} MS2320 scanner/Diva scale unit. It is designed to be used in conjunction with MetroSelect™ Configuration Guide (PN 00-02407.x) and the MS2.x20 Stratos Series Scanner/Diva Scale Configuration Addendum (PN 00-02272.x).

Product manuals are also available for download in Adobe® Acrobat® file format at www.honeywellaidc.com.

PRODUCT OVERVIEW

The Stratos^H MS2320 is designed to meet the demanding needs of high volume supermarket and point-of-sale applications. With advanced features like 6-sided, 360° scanning, 5840 scans per second, a comprehensive scan zone and advanced decoding software, this high performance in-counter scanner/scale model guarantees fast customer checkouts with minimal operator fatigue and stress. The MS2320 scanner/scale is equipped with a multitude of standard features including:

- Stratos**SCAN** – 6-sided, 360° scanning that minimizes product orientation
- Stratos**SPHERE** – Decoding software that reads poor quality and damaged bar codes
- Stratos**SYNC** – Horizontal and vertical scanning zones operate independently from one another
- GS1 DataBar Decoding – Decodes GS1 DataBar, GS1 DataBar Limited and GS1 DataBar Expanded symbologies
- Flash ROM – Upgrade latest software enhancements on site
- Powered Aux Port – Connect hand-held scanner for large or bulky items
- Integrated Scale – Factory integrated Mettler Toledo Diva scale
- Loud Speaker – Three volume/seven tone settings can be heard in all environments
- Easy Configuration – Windows® based utility or simple bar code setup
- Fully Automatic – “No touch” infrared wake up from power save modes
- EAS Deactivation – Electronic Article Surveillance (EAS) equipped (EAS cable is an optional purchase)
- Field Replaceable Vertical Window – Quickly remove vertical window for cleaning or replacement
- Stratos**SCOPE** – Visual diagnostic indicator for easy to read feedback on scanner condition
- Stratos**SWAP** – Modular optics engine technology – small, pre-aligned, field replaceable modules
- Stratos**SCHOOL** – Operator training software

INTRODUCTION

BASE KIT COMPONENTS

| BASE KIT COMPONENTS | | |
|--------------------------------------------------------------------------------------------------------------------------------------------------------------------|------------------------------------------------------------------|-------------------------------------------|
| Part # | Description | |
| MS2320-xxKz | StratosH Scanner / Diva Scale | |
| xx | 14 | RS232 Interface |
| | 21 | RS232 / Full Speed USB / RS485 Interfaces |
| z | D | Diamonex Horizontal Window |
| | S | Sapphire Horizontal Window |
| 00-02407x | MetroSelect Configuration Guide | |
| 00-02272x | MS2x20 Stratos Series Scanner/Diva Scale Configuration Addendum | |
| 00-02271x | MS2320 StratosH Scanner/Diva Scale Installation and User's Guide | |
| <i>Guides also available for download at www.honeywellaidc.com.</i> | | |
| <i>Other items may be ordered for the specific protocol being used. To order additional items, contact the dealer, distributor or customer service department.</i> | | |

OPTIONAL ACCESSORIES

| OPTIONAL ACCESSORIES | |
|----------------------|-----------------------------------------------------------------------------------|
| Part # | Description |
| 57-57000x-N-3 | RS232 Interface Cable, Straight Cord |
| 57-57004x-N-3 | RS485 [▲] Port 9 Cable, Straight Cord |
| 57-57200x-N-3 | USB Full Speed Communication Cable, Straight Cord, Locking 12V Plus-Power™ Type A |
| 57-57006x-N-3 | USB Full Speed Communication Cable, Straight Cord, Non-Locking Type A |
| 57-57099x-3 | LSO RS232 PowerLink AUX Cable with built in power jack, Straight Cord |
| 57-57099x-3-12 | RS232 AUX, Straight Cord, 3.7 m (12') (for 95xx, 5145 and 7580 scanners) |
| CBL-420-300-C00 | RS232 AUX, Coiled Cord (for 1200, 1300 and 1900 Series scanners) |
| 57-57000x-N-3 | Dual Interface Cable, Straight Cord |
| 52-52511x | 24" EAS Cable |
| 52-52556x | Checkpoint EAS Cable, Straight Cord, 1.8 m (6') |

[▲] Applicable for IBM® Host applications.

OPTIONAL ACCESSORIES

| Part # | Description |
|---------------------------------------------------------------------------|----------------------------------|
| AC to DC Power Transformer - Regulated Output: +5V @ 4A +12V @ 1.5A | |
| 46-46812 | 120V United States and Canada |
| 46-46813 | 220V – 240V Continental European |
| 46-46814 | 220V – 240V United Kingdom |
| 46-46817 | 220V – 240V China |
| 46-46928 | 220V – 240V Australia |

Optional Remote Scale Display

| | |
|----------|-------------------------------------------------------|
| 46-00375 | Remote Single Line Scale Display (lb.) (See Figure 1) |
| 46-00376 | Remote Single Line Scale Display (kg.) (See Figure 1) |
| 46-00377 | Remote Four Line Scale Display (kg.) (See Figure 2) |

Other Four Line Scale Display currency overlay stickers are available. To order additional or replacement items, contact the dealer, distributor or customer service department.

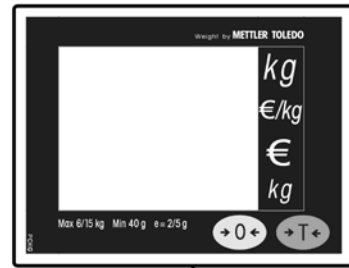
**Remote Single Line Display
Pounds**



**Remote Single Line Display
Kilograms (Single Interval)**



**Remote Single Line Display
Kilograms (Dual Interval)**



**Remote Four Line
Scale Display
(Kilograms)**

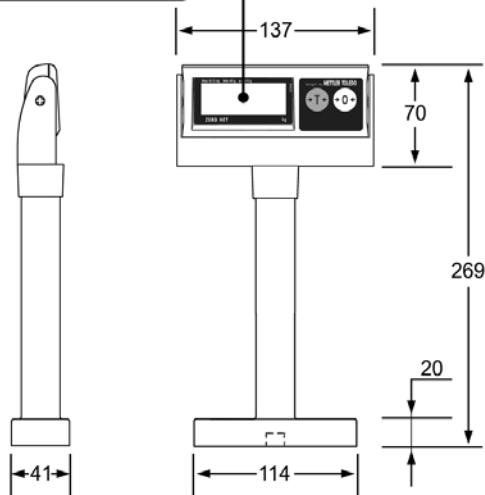


Figure 1

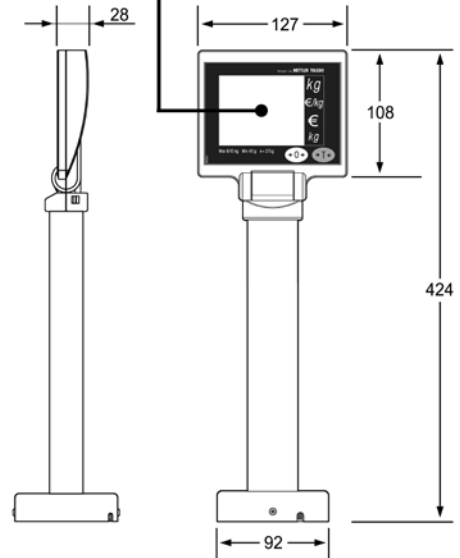



Figure 2

* All dimensions are shown in mm (millimeters).

Specifications are subject to change without notice.

INTRODUCTION

REPLACEMENT PARTS

| REPLACEMENT PARTS | |
|--------------------------------------------------------------------------------------------------------------------------------------------------------------------|---------------------------------------------------------------------------------------------------------------------------------------------------------------------------------------------------------------------------------|
| Part # | Description |
|  Caution | Window types (Diamonex and Sapphire) are <u>not</u> interchangeable due to laser safety and/or scanner performance differences. To change window type, the scanner must be returned to the manufacturer for reconfiguration. |
| 46-46889 | Vertical Window |
| 46-46806 | Diamonex Platter – Full (Long) Size |
| 46-46808 | Sapphire Platter – Full (Long) Size |
| <i>Other items may be ordered for the specific protocol being used. To order additional items, contact the dealer, distributor or customer service department.</i> | |

INTRODUCTION

GENERAL PRECAUTIONS

The following list includes general precautions to remember when handling the StratosH.

Do Not Turn the unit upside down with the platter in place.

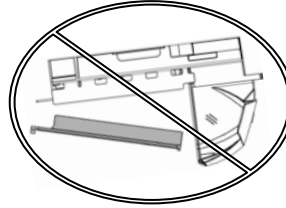


Figure 3

Do Not Press on the window in the placement platter or the vertical window frame.

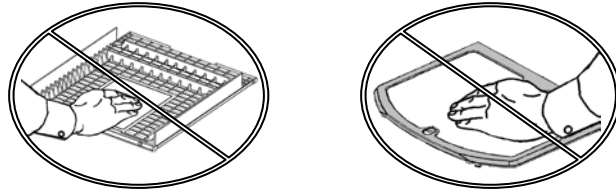



Figure 4

PLATTER REMOVAL

No hardware or tools are required to remove the platter / horizontal scan window (see Figure 5). Refer to the Maintenance section of this manual for additional information on platter replacement.

 See caution statement on page 4.

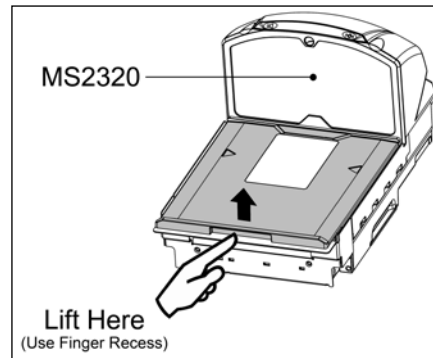


Figure 5

LIFT HANDLES

REST both thumbs against the vertical window frame for added stability when lifting the unit by the handles provided.

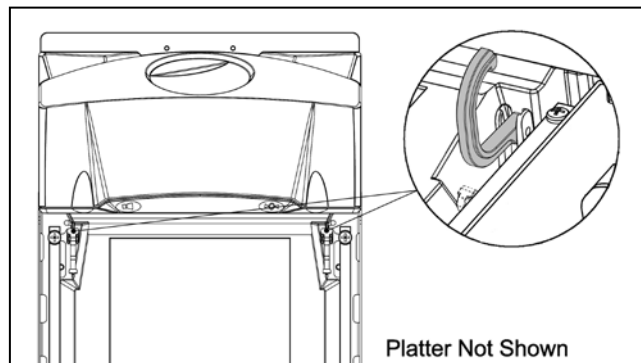


Figure 6

INTRODUCTION

MS2320 SCANNER/DIVA SCALE DESIGN SPECIFICATIONS

| | | Design Specifications | | | |
|-----------------------------------------------------------------------|--------------------------------------------------------------------------------------------------|------------------------------------|----------------------------|----------|------------------|
| Operational | | | | | |
| Light Source: | VLD 650 nm | | | | |
| Peak Laser Power: | <2.2 mW | | | | |
| Embedded Laser: | Max Optical Power: | 10 mW | | | |
| | Wavelength: | 650 nm | | | |
| Horizontal Depth of Field: | 0 mm - 152 mm (0" - 6") for 0.33 mm (13 mil) Bar Code | | | | |
| Vertical Depth of Field: | 0 mm - 216 mm (0" - 8.5") for 0.33 mm (13 mil) Bar Code | | | | |
| Scan Speed: | 5840 Scan Lines per Second | | | | |
| No. of Scan Lines: | 66 (38 Horizontal / 28 Vertical) | | | | |
| Motor Speed: | 4800 / 6000 RPM (Horizontal / Vertical) | | | | |
| Min Bar Width: | 0.152 mm (6.0 mil) | | | | |
| Decode Capability: | All Standard 1-D Bar Codes, GS1 DataBar, GS1 DataBar Expanded, and GS1 DataBar Limited Bar Codes | | | | |
| System Interfaces: | RS232, Aux RS232, RS485 and USB | | | | |
| Print Contrast: | 35% Minimum Reflectance Difference | | | | |
| No. Characters Read: | Up to 80 data characters. Maximum number will vary based on symbology and density. | | | | |
| Beeper Operation: | 7 Tones or No Beep; 3 Volume Settings | | | | |
| Indicators (LED): | Blue | Laser ON, Ready to Scan | | | |
| | White | Good Read, Decoding | | | |
| Mechanical | | | | | |
| L x W x H: | 508 mm (20") Length | 290 mm (11.4") Width | 181 mm (7.1") Tower Height | | |
| Depth (Below Counter): | 100 mm (3.9") | | | | |
| Weight (with Platter): | 11.34 kg (24.95 lbs.) | | | | |
| Electrical | | | | | |
| Voltage Supply: | 4A @ +5V / 1.5A @ +12V | | | | |
| Power: | Operating, 14.25 Watts | Standby, 3.25 Watts | | | |
| Current: | Operating, 1A @ 5V / 0.75A @ 12V | Standby, 0.44 A @ 5V / 0.08A @ 12V | | | |
| DC Transformers: | Class II; 5.2VDC @ 3.8A; 12VDC @ 1.5A | | | | |
| <i>For Regulatory Compliance Information, refer to pages 58 - 60.</i> | | | | | |
| Scale Capacities | | | | | |
| Capacity: | kg unit | 6.0 / 15.0 kg | | lb. unit | 15.0 / 30.0 lb. |
| Minimum Increments: | kg unit | 0.002 / 0.005 kg | | lb. unit | 0.005 / 0.01 lb. |
| Maximum Static Weight: | kg unit | 75.0 kg | | lb. unit | 150.0 lb. |
| Adjustments Required: | Calibration Only | | | | |
| Environmental | | | | | |
| Operating Temperature: | 0°C to 40°C (32°F to 104°F) | | | | |
| IP Rating: | IP 55 | | | | |
| Light Levels: | 4842 Lux (450 foot-candles) | | | | |
| Storage Temperature: | -40°C to 60°C (-40°F to 140°F) | | | | |
| Humidity: | 5% to 95% Relative Humidity, Non-Condensing | | | | |
| Contaminants: | Sealed to resist airborne particulate contaminants. | | | | |
| Ventilation: | None Required | | | | |

Specifications are subject to change without notice.

BASE MODEL CHARACTERISTICS

MS2320 Scanner/Diva Scale

Components

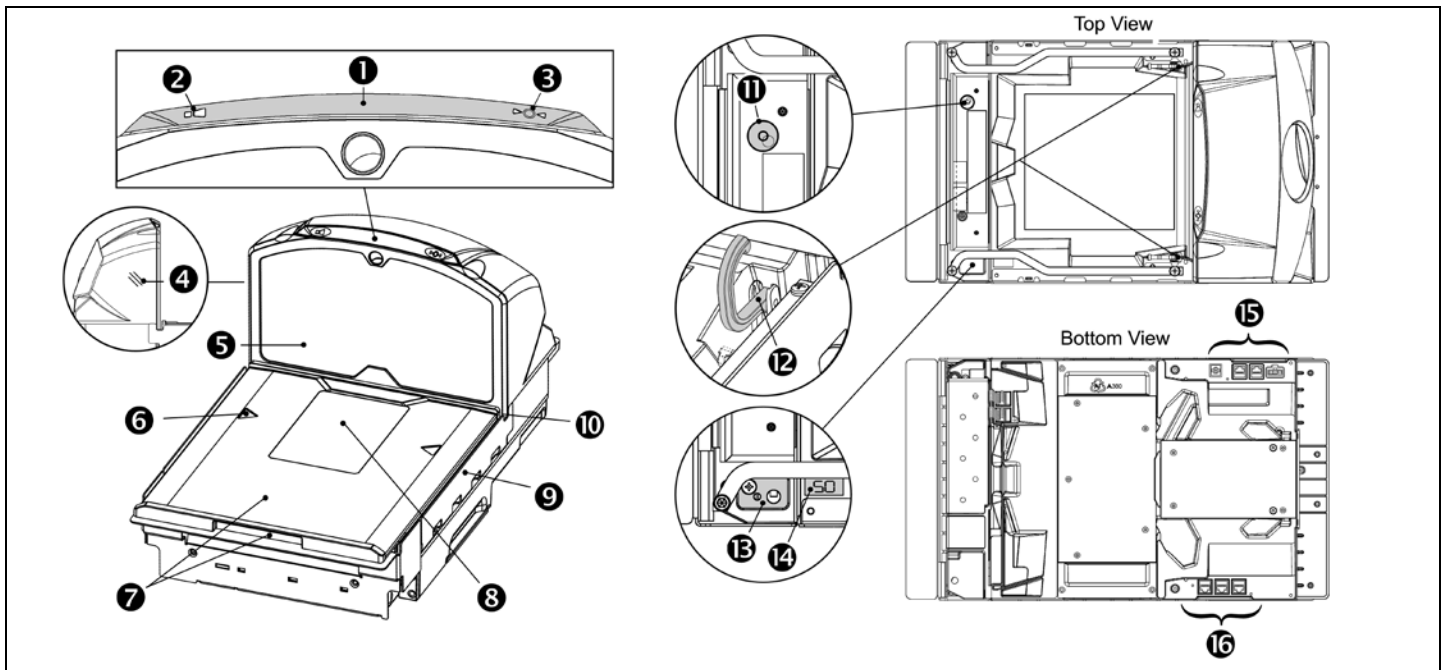



Figure 7. MS2320 Components

| ITEM No. | DESCRIPTION OF ITEM |
|-------------------------------------------------------------------------------------|---------------------------------------------------------------------------------------------------------------------------------------------------------------------------------------------------------------------------------------------------------------------------------------------------------------------------------------------------------------------------------|
| 1 | Blue and White LED Indicators (see page 29) |
| 2 | Volume/Tone Multi-Function Button (see page 34) |
| 3 | Scale Zero Button |
| 4 | Speaker (see page 29) |
| 5 | High Impact Window Frame / Vertical Window (Laser Aperture) (see page 4) |
| 6 | Flow Direction Indicators |
| 7 | Platter with Finger Recess, <i>Stainless Steel Option Not Shown</i> (see page 4) |
| 8 | Diamonex or Sapphire (<i>shown</i>) Horizontal Window (Laser Aperture) |
| 9 | Scale Side Guards |
| 10 | Debris Channel |
| 11 | Leveling Bubble |
| 12 | Handles for Lifting Unit |
| 13 | Sealed Calibration Switch/Button Cover On a fully installed unit, the calibration switch cover should be sealed with either a lead wire or paper seal. The seal indicates if the appropriate Federal, State and Local Weights and Measures authorities have calibrated the scale. See the <i>Scale Operation: Calibration</i> section of this guide for further information. |
| 14 | Diagnostic Indicator Display (see page 31 for Error Codes) |
| 15 | Power, Scale and EAS Connectors (see page 8) |
| 16 | Interface and Aux Scanner Connectors (see page 8) |
|  | Scanner/Scale label information can be found on page 9. |

BASE MODEL CHARACTERISTICS

MS2320 Scanner/Diva Scale

Dimensions

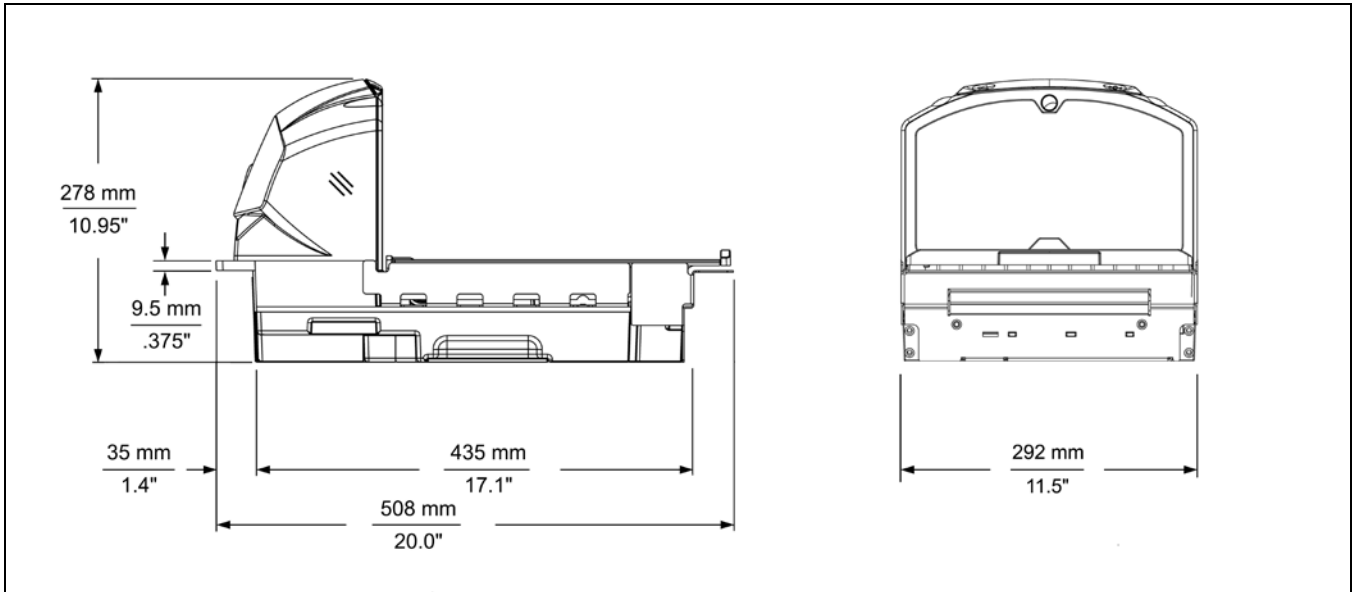


Figure 8. MS2320 Dimensions

Connector Panel

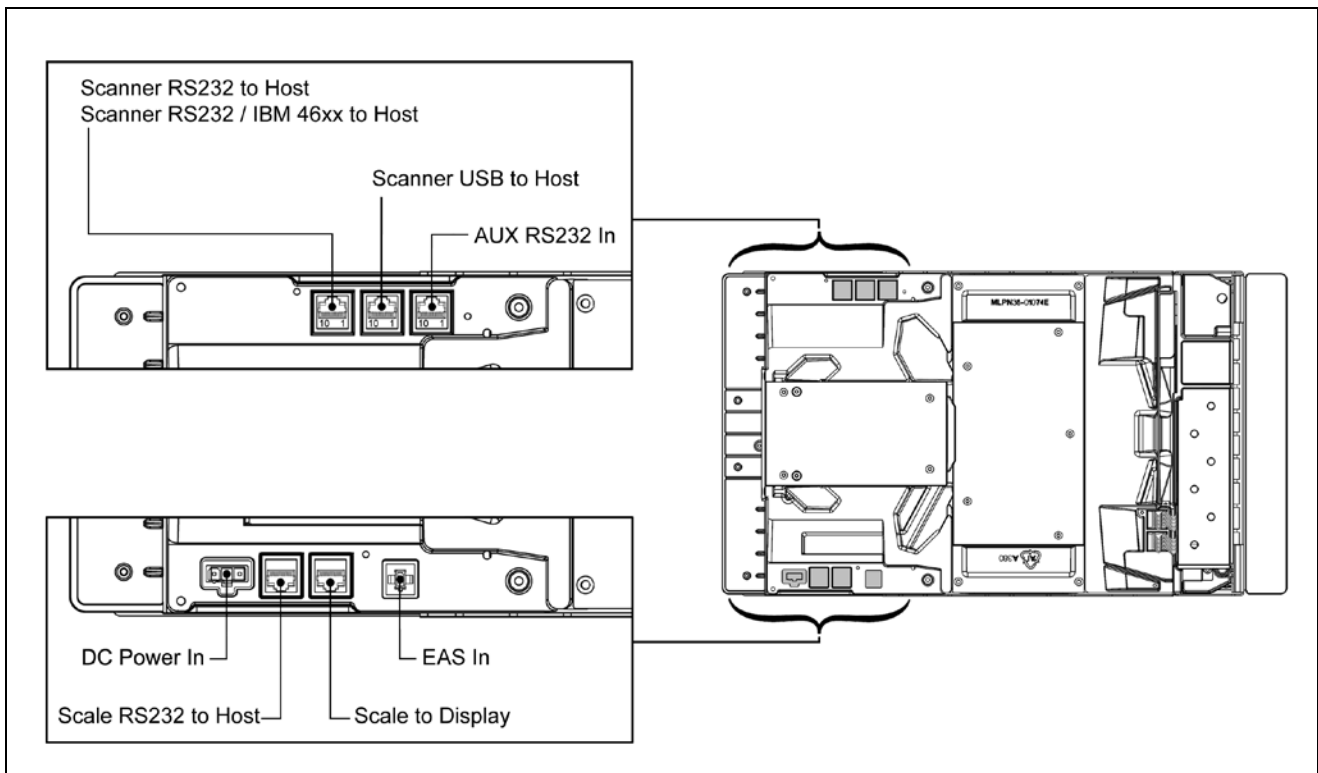


Figure 9. MS2320 Connector Panel

Specifications are subject to change without notice.

MS2320 Scanner/Diva Scale

Caution and Serial Number Labels

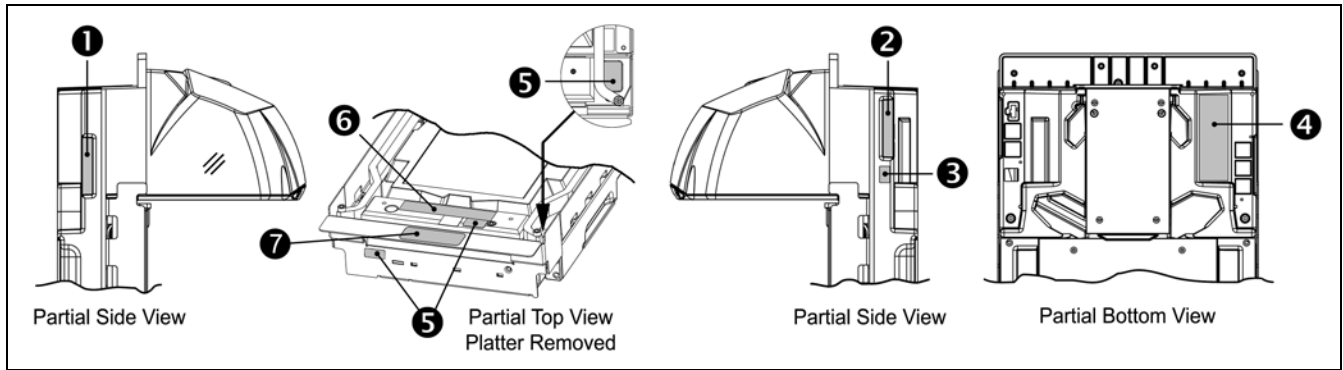


Figure 10. MS2320 Label Locations (Top) and Examples (Bottom)

1

| | | |
|--------------------------|-----|-----------------|
| Scanner RS232 to Host | N/C | Aux RS232 In |
|--------------------------|-----|-----------------|

For MS2320-21 Models:

| | | |
|------------------------------------|-------------------|-----------------|
| Scanner RS232 / IBM46XX to Host | FS USB to Host | Aux RS232 In |
|------------------------------------|-------------------|-----------------|

2

| | | |
|---------------------|------------------------|----------------|
| Scale to Display | Scale RS232 to Host | DC Power In |
|---------------------|------------------------|----------------|

For MS2320-21 Models:

| | | |
|---------------------------|------------------------|----------------|
| Scale RS485 to Display | Scale RS232 to Host | DC Power In |
|---------------------------|------------------------|----------------|

3

| |
|--------|
| EAS In |
|--------|

4

Honeywell International Inc.
Manufactured by Metro (Suzhou) Technologies Co., Ltd.
 Contains no user serviceable components. Warranty void if case is opened. Complies with FCC and ICES-003 Class A.
 See manual.
 Made in Suzhou China June 2012 (G)
 Model MS2320-14KD RS232
 StratosH™ Barcode Scanner
 83 12 24 0040

This product complies with 21 CFR 1040.10 and 1040.11 except for deviations pursuant to Laser Notice No. 50 dated June 24, 2007.

15 LISTED 94J8 I.T.E.

5V, 12V $\overline{\text{---}}$
 CAUTION:
 Laser light when opened.
 DO NOT STARE INTO BEAM.

See User's Guide for patent coverage.

5

Honeywell
SEAL

OR

METTLER TOLEDO
SECURITY SEAL

6

Mettler-Toledo, (Changzhou) Scale & System Ltd
 CC: 06-024
 MODEL: DIVA

 S/N: 12345678XX

www.mt.com

DIVA MXXX
 Max 30 lb / 15 kg
 Min 0.2 lb / 100 g
 e = 0.01 lb / 5 g

www.mt.com
 DIVA MXXX
 Max 6 / 15 kg
 Min 40 g
 e = 2 / 5 g
 T6941

Diva scale shipped **with** remote display.

www.mt.com
 DIVA MXXX
 Max 6 / 15 kg
 Min 40 g
 e = 2 / 5 g
 TC6942

Diva scale shipped **without** remote display.

7

Honeywell
 Model MS2320

CAPACITY 30 x 0.01 lb / 15 x 0.005 kg
 12V 1.5A MAX
 NTEP CC 03-056 AM-5493

S/N: 83 07 06 0002

This (NTEP) label will only be present on Stratos scanner/scale units operating within the US/Canada regions.

Caution: To maintain compliance with applicable standards, all circuits connected to the scanner must meet the requirements for SELV (Safety Extra Low Voltage) according to EN/IEC 60950-1.

To maintain compliance with standard CSA C22.2 No. 60950-1/UL 60950-1 and norm EN/IEC 60950-1, the power source should meet applicable performance requirements for a limited power source.

9

QUICK INSTALLATION OUTLINE

The following is a quick preview of the steps required for first time installations. Each item is discussed in detail later in this section.

- Determine clearance, ventilation and service access requirements.
- Determine checkout counter layout taking into account package flow, cable routing and power requirements.
- Choose the mounting option which provides the best cable/power access and unit stability.
- Unpack the unit and remove the shipping hardware from the scale arms.
- Make the appropriate countertop cutouts and install all support brackets.
- Place the unit in the counter.
- Install the platter.
- Follow the steps under the correct interface to connect the cables and power supply.
- Configure the unit for the correct interface.
- Calibrate the scale.

SITE REQUIREMENTS

Before installing the Stratos H scanner, please consider the following items.

Vertical Clearance

A minimum clearance height of 7.00" from the checkout counter surface is needed for the vertical 'hood' on all of the scanner models.

Ventilation and Spacing

All Stratos H models have a die-cast housing to dissipate heat allowing the unit to operate without a ventilation fan. Honeywell recommends that the temperature surrounding the unit does not exceed 40°C (104°F). There should be adequate convection and minimal heat producing equipment in close proximity of the unit. A cooling fan with a filter is recommended if there will be a conveyor motor or other heat producing equipment close to the unit that will create a high temperature environment.

Adequate spacing between the unit and the checkout counter opening is required for proper operation of the scale. When the scanner/scale model is mounted properly, the scale platter should be able to move up and down freely without hitting the edges of the checkout counter cutout. Refer to *Installing the Unit in the Counter* for detailed cutout dimensions and mounting instructions.

Service Access

When routing and installing the cable(s) and power supply, make sure to leave access so that these components may be swapped easily without the need to remove the unit from the checkout counter.

When changing the Stratos**SWAP** optics engine modules, Honeywell recommends removing the unit completely from the checkout counter.

When calibrating or zeroing the scale, do not remove the unit from the checkout counter. Refer to the *Scale Operation* Section of this guide for detailed instructions on zeroing and calibration.

INSTALLATION

QUICK INSTALLATION OUTLINE

POWER INSTALLATION

The Power Supply (AC/DC) should be connected to an AC Outlet that is free of electrical noise (clean). A qualified electrician can determine the amount of electrical noise on the AC line. See additional information on power installation and restrictions under the *Installation: Cable Installation (Interface Specific)* section of this manual.



Honeywell recommends using a switched AC outlet. The switch should be located on the operator's side of the checkout counter in close proximity to the StratosH to facilitate calibration and service of the unit.

Checkout Counter Layout Considerations

When placing a scanner in a checkout counter, the following factors should be considered.

- Items should flow at a distance to the operator that maximizes comfort. The operator should not need to stretch or strain to reach for and scan packages.
- The StratosH can scan a bar code on six sides of a package. The packages should flow into the scan area that provides the maximum reading performance. No lifting or orientation of the items is necessary. A properly placed item diverter can maximize the flow of packages.
- In what direction are the packages flowing? Most checkout counters are designed for left-handed takeaway. If the operator is facing the vertical window of the scanner, packages flow from the operator's right to left. The packages are in queue on the conveyor to the right and the bagging is to the left.

INSTALLATION

UNPACKING THE UNIT

1. Make sure the shipping box is top-side up before opening.
2. Remove the accessories box and check the box's content for the following items:
 - Product Manuals
 - Power Supply
 - Communication Cables
 - Remote Scale Display Pole (Optional)

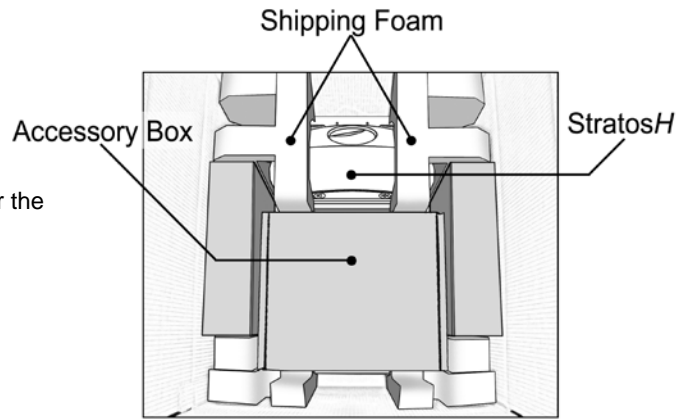


Figure 11

3. Carefully remove the platter and store it in a safe location until the unit is properly installed into the checkout counter.
4. Remove all loose packing materials from the box.

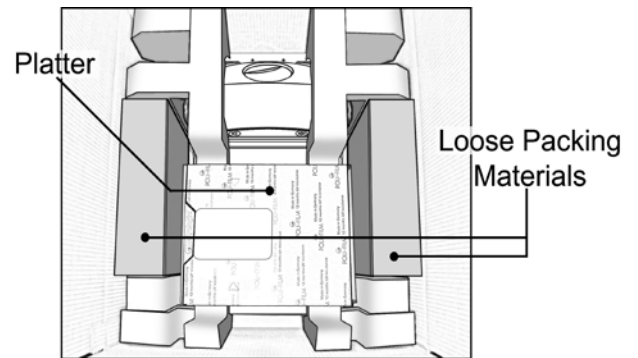


Figure 12

5. Lift the MS2320 scanner out of the box by carefully grasping both sides near the center of the unit and lifting directly up. Refer to Figure 13 for hand placement.

Important! Do not remove the MS2320 scanner from the box by grabbing the shipping foam. This can result in the unit falling!

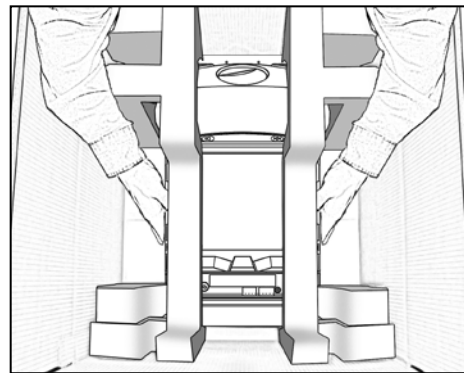


Figure 13

6. Carefully remove the shipping foam from around the MS2320 scanner.

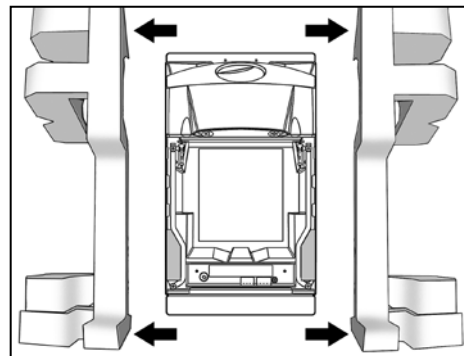


Figure 14

INSTALLATION

UNPACKING THE UNIT

MS2320 Package Warning

! There is a protective film located on the topside platter surface, vertical scan windows outer surface, and the horizontal scan windows top surface. This film must be removed prior to performing any scanner operation (see *Figure 15*).

All foam wedges securing the scale arms during shipping must be removed or the scale will not function (see *Figure 15*)!

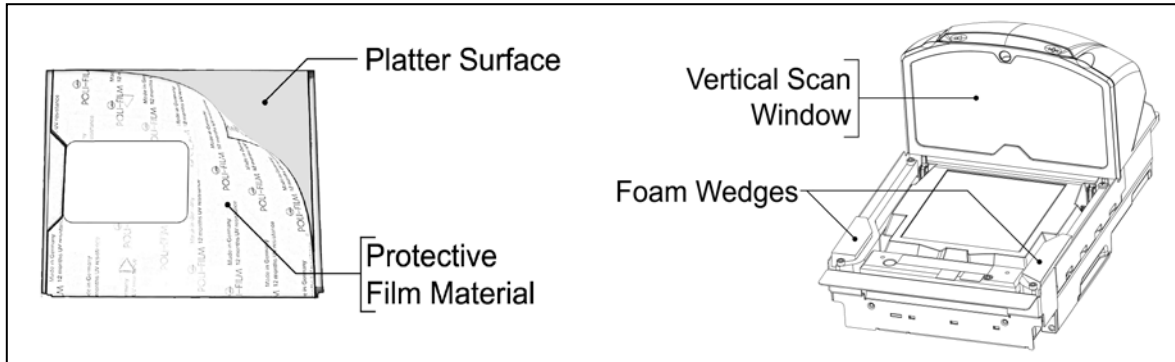


Figure 15. Removal of Protective Film and Scale Shipping Foam

i **Do not discard these instructions and shipping foam wedges!** If the unit is going to be reshipped at any time this foam must be reinstalled prevent damage to the scale arms during shipping.

There is a protective sheet layered behind the Vertical Scan Window which must be removed or the MS2320 scanning ability will be greatly reduced (see *Figure 16*).

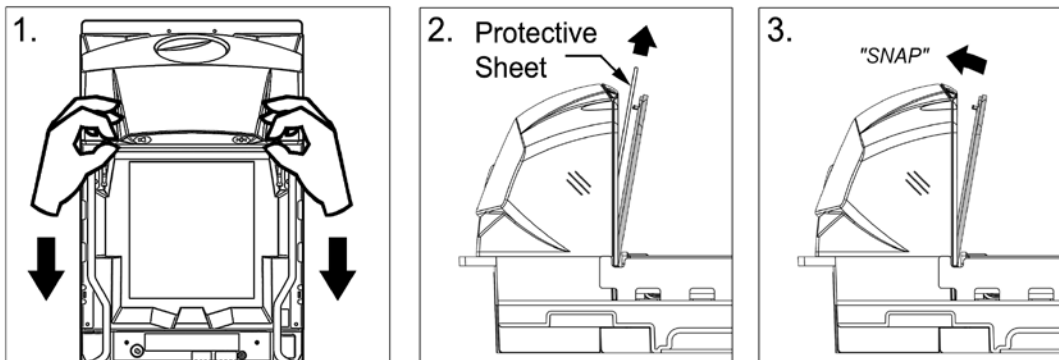


Figure 16. Removal of Vertical Scan Window Protective Sheet

Lifting the Unit by the Handles

There are two handles located under the removable platter near the base of the vertical window. These handles are provided to assist in installation when placing the unit in the checkout counter cutout.

To decrease the risk of dropping the unit during installation, rest both thumbs against the vertical window frame for added stability when lifting the unit by the handles. The unit will tilt forward when lifted by the handles if it is not stabilized making installation in the countertop cutout difficult.

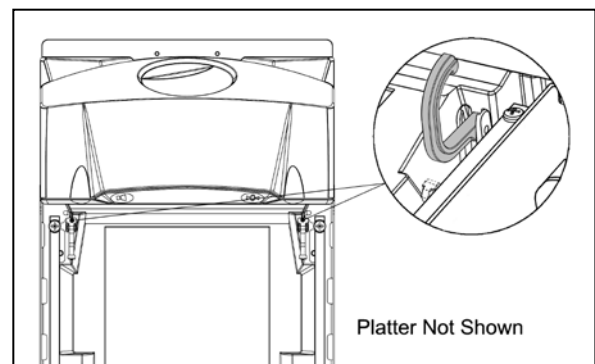


Figure 17. Handles for Lifting

INSTALLATION

INSTALLING THE UNIT IN THE COUNTER

MS2320 Mounting Diagram (Two Point Support)

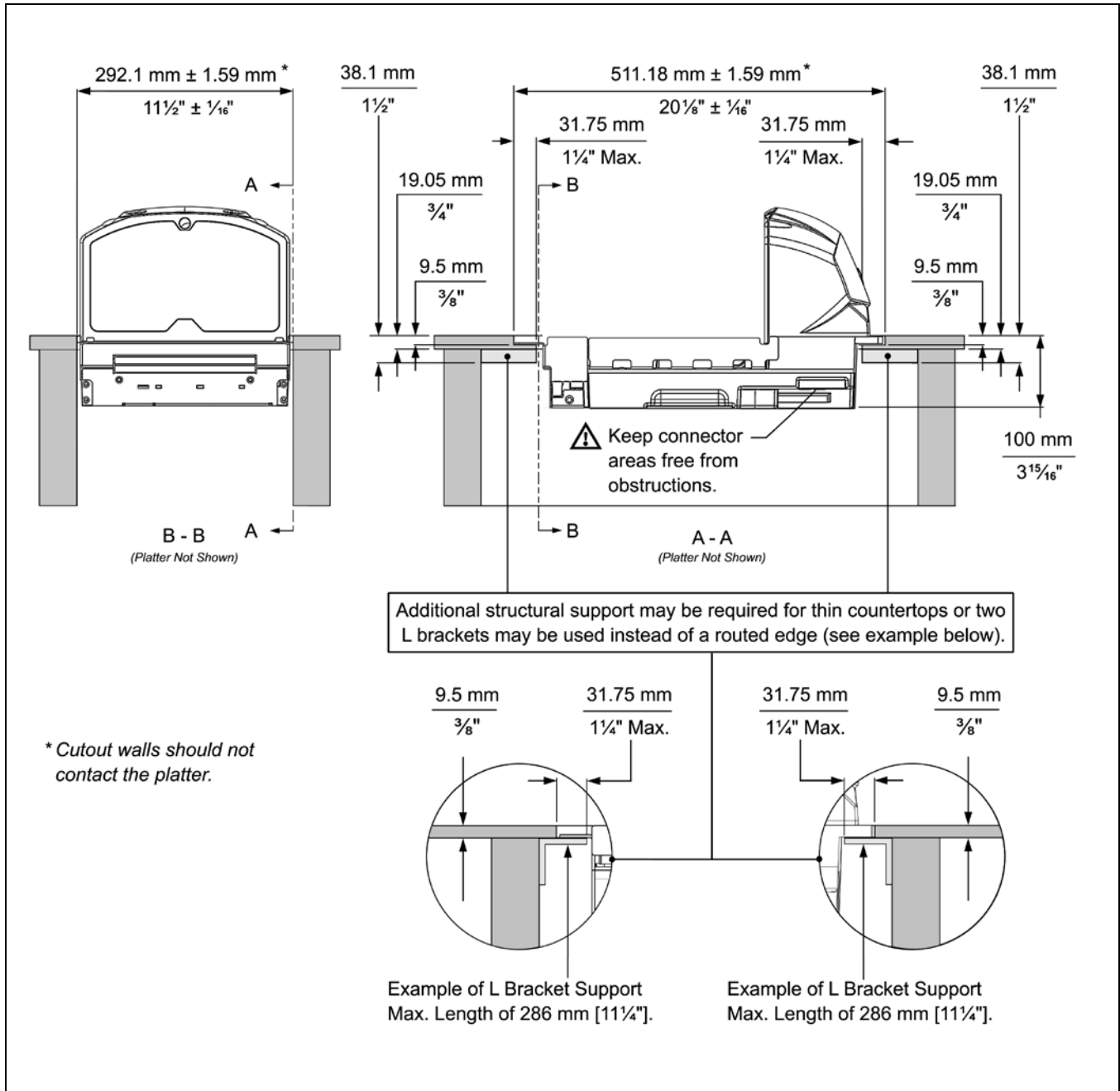


Figure 18. MS2320 Mounting Diagram, Two Point Support

Specifications are subject to change without notice.

INSTALLATION

INSTALLING THE UNIT IN THE COUNTER

MS2320 Mounting Diagram (Three Point Support)

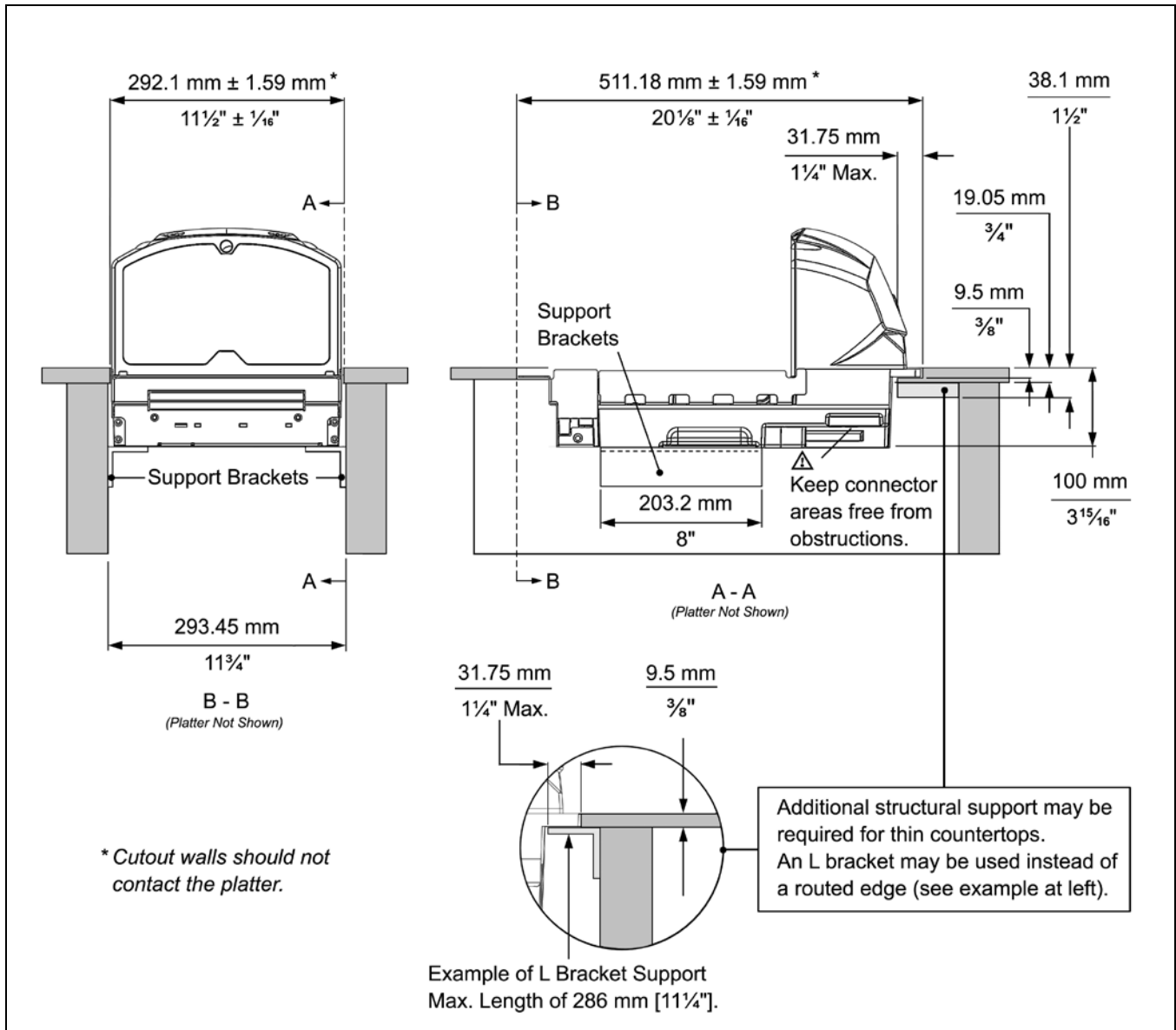


Figure 19. MS2320 Mounting Diagram, Three Point Support


Specifications are subject to change without notice.

INSTALLATION

CABLE INSTALLATION (INTERFACE SPECIFIC)

RS232

The following steps describe how to properly install the cables for an RS232 Stratos*H* application. The scanner/Diva scale **must** then be configured to match the host's RS232 parameters. Cable installation alone **does not** guarantee that the Stratos*H* will communicate properly with the host system.

 Configuration bar codes are located in the MetroSelect Configuration Guide (PN 00-02407.x) and the MS2.x20 Stratos Series Scanner/Diva Scale Configuration Addendum (PN 00-02272.x).

1. Turn off the host system.
2. Plug the 10-pin RJ45 end of the RS232 interface cable (PN 57-57000x-N-3) into the 10-pin socket labeled, **Scanner RS232 to Host**, on the bottom of the Stratos*H*. Refer to figure on page 17.
3. Connect the other end of the RS232 cable to the proper communication port on the host device.



Before continuing, verify that the RS232 interface cable is connected to the appropriate interface socket on the scanner. An incorrect cable connection can cause communication problems or potential damage to the scanner and/or terminal.

Steps 4 and 5 are for **dual cable** interfaces where the scale and the scanner connect to the host with their own separate communication cables. Skip to step 6 for a **single cable** interface where the scale and scanner connect to the host with a single cable.

4. Plug the dual interface cable (PN 57-57000x-N-3) into the 10-pin socket labeled, **Scale RS232 to Host**, on the bottom of the Stratos*H*.
5. Connect the other end of the dual interface cable (PN 57-57000x-N-3) to the appropriate communication port on the host's scale device.
6. Plug the optional remote display cable** into the 10-pin socket labeled, **Scale to Display**, on the bottom of the Stratos*H*.
7. Plug the external power supply (PN 46-46xxx*) into the 3-pin Molex socket labeled, **DC Power In**, on the bottom of the Stratos*H*.

** See page 3 for information on optional display types and part numbers.

xxx* Specifies international connection. See page 3 for a complete listing of power supply options and their part numbers.



Check the AC input requirements of the power supply to make sure the voltage matches the AC outlet. The outlet should be located near the equipment and be easily accessible.



Honeywell recommends using a switched AC outlet. The switch should be located on the operator's side of the checkout counter in close proximity to the Stratos*H* to facilitate calibration and service of the unit.

8. Connect AC power to the transformer. If the AC outlet is equipped with an on/off switch, turn the power on.

INSTALLATION

CABLE INSTALLATION (INTERFACE SPECIFIC)

RS232

9. Turn on the host system.
10. Scan the **Recall Defaults** bar code.



The **Recall Defaults** bar code is located in the MetroSelect Configuration Guide (PN 00-02407x), under **Need to Start Over**.

11. Configure the StratosH to match the host system's RS232 parameters.



Refer to the MetroSelect Configuration Guide (PN 00-02407x) under **Section G: RS232** for **Enabling RS232 Mode** (scan the **recall defaults** bar code first).

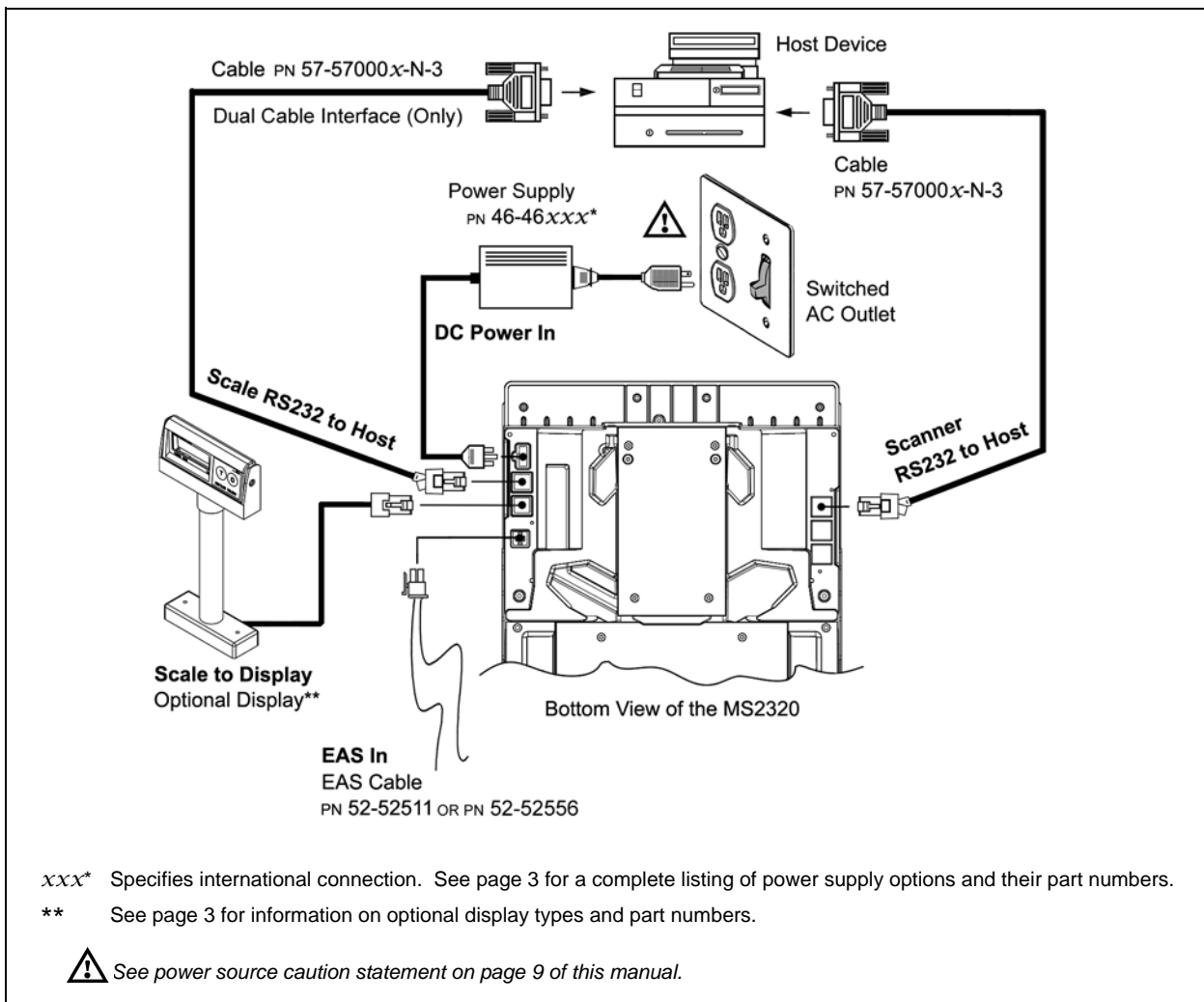


Figure 20. RS232 Interface Cable Installation Schematic

INSTALLATION

CABLE INSTALLATION (INTERFACE SPECIFIC)

FULL SPEED USB

The following steps describe how to properly install the cables for a Full Speed USB Stratos H application. The scanner/scale **must** then be configured to match the host's USB parameters. Cable installation alone **does not** guarantee that the Stratos H will communicate properly with the host system.



Configuration bar codes are located in the MetroSelect Configuration Guide (PN 00-02407x) and the MS2.x20 Stratos Series Scanner/Diva Scale Configuration Addendum (PN 00-02272x).

1. Turn off the host system.
2. Plug the 10-pin RJ45 end of the USB interface cable (PN 57-57200x-N-3 or 57-57006x-N-3) into the 10-pin socket labeled, **Scanner USB to Host**, on the bottom of the Stratos H . Refer to Figure on page 20.
3. Connect the other end of the USB interface cable to the appropriate USB port on the host device.



Before continuing verify that the USB interface cable is connected to the appropriate socket on the scanner. An incorrect cable connection can cause communication problems or potential damage to the scanner and/or terminal.



Manufacturers Note: Plugging the scanner into the USB port of the host does not guarantee that scanned information will appear at the host. A software driver and correct configuration setting are also required for proper communication to occur. When using the RS232/Full Speed USB/RS485 (-121) interface, the USB and RS485 interfaces are not active at the same time.

Steps 4 and 5 are for **dual cable** interfaces where the scale and the scanner connect to the host with their own separate communication cables. Skip to step 6 for a **single cable** interface where the scale and scanner connect to the host with a single cable.

4. Plug the dual interface cable (PN 57-57000x-N-3) into the 10-pin socket labeled, **Scale RS232 to Host**, on the bottom of the Stratos H .
5. Connect the other end of the dual interface cable (PN 57-57000x-N-3) to the appropriate communication port on the host's scale device.
6. Plug the *optional* remote display cable** into the 10-pin socket labeled, **Scale to Display**, on the bottom of the Stratos H .
7. Plug the external power supply (PN 46-46x.x.x) into the 3-pin Molex socket labeled, **DC Power In**, on the bottom of the Stratos H .

** See page 3 for information on optional display types and part numbers.

x.x.x* Specifies international connection. See *Optional Accessories* in the *Introduction* section of this guide for a complete listing.



Check the AC input requirements of the power supply to make sure the voltage matches the AC outlet. The outlet should be located near the equipment and be easily accessible.



Honeywell recommends using a switched AC outlet. The switch should be located on the operator's side of the checkout counter in close proximity to the Stratos H to facilitate calibration and service of the unit.

8. Connect AC power to the transformer. If the AC outlet is equipped with an on/off switch, turn the power on.

INSTALLATION

CABLE INSTALLATION (INTERFACE SPECIFIC)

FULL SPEED USB

9. Turn on the host system.
10. Configure the Stratos H to match the host system's USB parameters.



For Single Cable Applications:

The **IBM OEM Full Speed USB English and Metric** bar codes are located in the *MS2.x20 Stratos Series Scanner/Diva Scale Configuration Addendum (PN 00-02272.x)* under Scanner Configuration Bar Codes: **Single Cable** Protocols for P Compatibility, IBM OEM Full Speed USB.

For Dual Cable Applications:

The **IBM OEM Full Speed USB Communication Defaults** bar code is located in the *MS2.x20 Stratos Series Scanner/Diva Scale Configuration Addendum (PN 00-02272.x)* under Scanner Configuration Bar Codes: **Dual Cable** Scanner Configuration Bar Codes, IBM OEM Full Speed USB Communication Defaults and IBM OEM Full Speed USB Protocols.

FOR USB SERIAL EMULATION MODE OR KEYBOARD EMULATION MODE ONLY

These features can only be used for Dual Cable Applications.

11. Configure the Stratos H for **Bi-Directional USB Serial Emulation Mode** or **USB Keyboard Emulation Mode** by scanning the appropriate configuration bar codes in the USB section of the *MetroSelect Configuration Guide (PN 00-02407x)*.



These features can only be used for Dual Cable Applications. The **IBM OEM Full Speed USB Communication Defaults** bar code listed in step 10 must be scanned before scanning one of these bar codes or this feature will not work properly.

INSTALLATION

CABLE INSTALLATION (INTERFACE SPECIFIC)

RS485

The following steps describe how to properly install the cables for an RS485 Stratos H application. The scanner/scale **must** then be configured to match the host's RS485 parameters. Cable installation alone **does not** guarantee that the Stratos H will communicate properly with the host system.



Configuration bar codes are located in the MetroSelect Configuration Guide (PN 00-02407x) and the MS2.x20 Stratos Series Scanner/Diva Scale Configuration Addendum (PN 00-02272x).

1. Turn off the host system.
2. Plug the 10-pin RJ45 end of the RS485 interface cable (PN 57-57004x-N-3) into the 10-pin socket labeled, **Scanner RS232 / IBM 46xx to Host**, on the bottom of the Stratos H . Refer to Figure on page 22.
3. Connect the other end of the RS485 cable to communication port 9 on the host device.



Before continuing verify that the RS485 cable is connected to the appropriate interface socket on the scanner. An incorrect cable connection can cause communication problems or potential damage to the scanner and/or terminal.



Manufacturers Note: Plugging the scanner into the serial port of the host device does not guarantee that scanned information will appear at the host device. A software driver and correct configuration settings are also required for proper communication to occur. When using the RS232/Full Speed USB/RS485 (-121) interface, the USB and RS485 interfaces are not active at the same time.

Steps 4 and 5 are for **dual cable** interfaces where the scale and the scanner connect to the host with their own separate communication cables. Skip to step 6 for a **single cable** interface where the scale and scanner connect to the host with a single cable.

4. Plug the dual interface cable (PN 57-57000x-N-3) into the 10-pin socket labeled, **Scale RS232 to Host**, on the bottom of the Stratos H .
5. Connect the other end of the dual interface cable (PN 57-57000x-N-3) to the appropriate communication port on the host's scale device.
6. Plug the *optional* remote display cable** into the 10-pin socket labeled, **Scale to Display**, on the bottom of the Stratos H .
7. Plug the external power supply (PN 46-46xxx*) into the 3-pin Molex socket labeled, **DC Power In**, on the bottom of the Stratos H .

** See page 3 for information on optional display types and part numbers.

xxx* Specifies international connection. See *Optional Accessories* in the *Introduction* section of this guide for a complete listing.



Check the AC input requirements of the power supply to make sure the voltage matches the AC outlet. The outlet should be located near the equipment and be easily accessible.



Honeywell recommends using a switched AC outlet. The switch should be located on the operator's side of the checkout counter in close proximity to the Stratos H to facilitate calibration and service of the unit.

8. Connect AC power to the transformer. If the AC outlet is equipped with an on/off switch, turn the power on.

INSTALLATION

CABLE INSTALLATION (INTERFACE SPECIFIC)

RS485

- Turn on the host system.
- Configure the Stratos H to match the host system's RS485 Δ parameters.



For Single Cable Applications:

The **IBM 3rd Generation 46xx, English and Metric** bar codes are located in the *MS2.x20 Stratos Series Scanner/Diva Scale Configuration Addendum (PN 00-02272.x)* under Scanner Configuration Bar Codes: **Single Cable** Protocols for Serial Emulation Compatibility, IBM 3rd Generation 46.x.x.

For Dual Cable Applications:

The **IBM 3rd Generation 46xx and IBM OEM Full Speed USB** bar code is located in the *MS2.x20 Stratos Series Scanner/Diva Scale Configuration Addendum (PN 00-02272.x)* under Scanner Configuration Bar Codes: **Dual Cable** Scanner Configuration Bar Codes, IBM 3rd Generation 46.x.x and IBM OEM Full Speed USB.

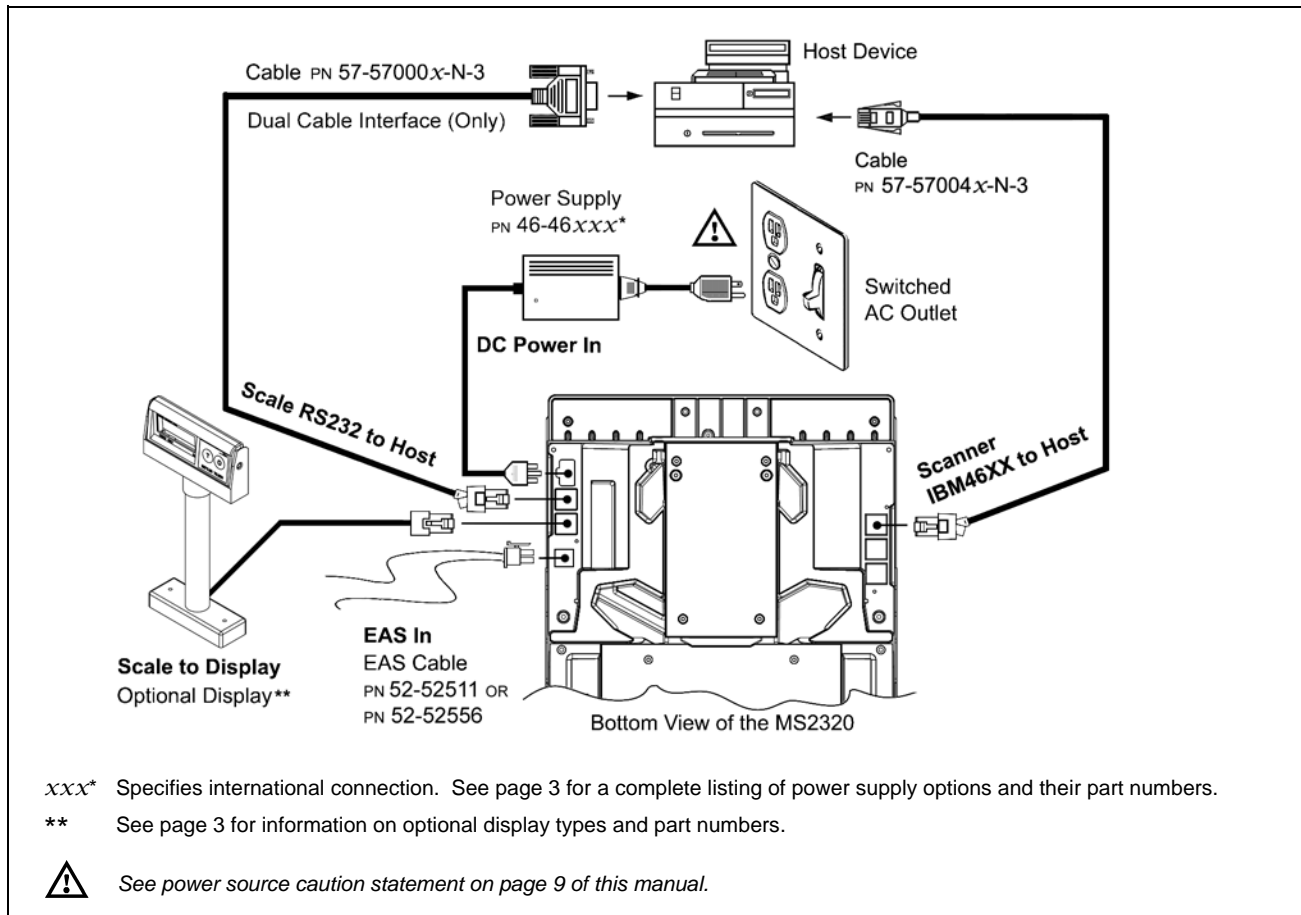




Figure 22. RS485 Cable Installation Schematic

INSTALLATION

CABLE INSTALLATION (SECONDARY HONEYWELL SCANNER)


The following steps describe how to properly install the cables between a secondary *Honeywell scanner* and the *StratosH*. The *StratosH* and the secondary scanner **must** then be configured to communicate properly. Cable installation alone **does not** guarantee that the *StratosH* will communicate properly with the host system and secondary scanner.

 Contact a customer service representative **before** connecting another manufacturer's scanner to the *StratosH* as a secondary scanner.

 Configuration bar codes are located in the MS2x20 Stratos Series Scanner/Diva Scale Configuration Addendum (PN 00-02272.x) under *Scanner Configuration Bar Codes: Auxiliary Port, Quick Start for a Secondary Honeywell Scanner*.


1. Refer to pages 16 - 21 for the type of interface (*RS232, RS485, etc.*) required for the application. Follow the cable installation steps under the appropriate interface before continuing. Once the communication and power cables have been installed follow step 2 below for the secondary scanner installation.
2. Connect the **straight** end of the RS232 PowerLink AUX cable (PN 57-57099.x-3 or PN 57-57099.x-3-12) to the RS232 into the socket of the **secondary** scanner (see figure on page 24).
3. Connect the **angled** end of the RS232 AUX cable (PN 57-57099.x-3 or PN 57-57099.x-3-12) into the 10-pin socket labeled, **Aux RS232 In**, on the bottom of the *StratosH*.

Important: The StratosH series' aux port requires the signals; transmit, receive, RTS & CTS from the secondary scanner.


 For Rev G units or later: The *StratosH*'s auxiliary port will support 5VDC devices with a 700mA maximum current.
For Rev F units or earlier: The *StratosH*'s auxiliary port will support 5VDC devices with a 150mA maximum current. If the auxiliary device exceeds this specification or requires a different voltage, an external power supply will be required to power the auxiliary device. The following Honeywell scanners can receive power from *StratosH*: the MS9520, MS9540, and the MS5145.

4. **This step is required for secondary devices that require >5VDC and/or 700mA current to operate.** Skip to step 5 if the secondary device requires \leq 700mA 5VDC.

Plug the power supply into the **secondary** scanner's PowerLink cable (PN 57-57099.x-3 or PN 57-57099.x-3-12) and connect AC power to the secondary scanner.

 Check the AC input requirements of the power supply to make sure the voltage matches the AC outlet. The outlet should be located near the equipment and be easily accessible.

5. Configure the *StratosH* and the secondary scanner. The auxiliary input port's data format must match the main output format of the secondary scanner.

 Refer to the MS2x20 Stratos Series Scanner/Diva Scale Configuration Addendum (PN 00-02272.x) under *Scanner Configuration Bar Codes: Auxiliary Port, Quick Start for a Secondary Honeywell Scanner*.

INSTALLATION

CABLE INSTALLATION (SECONDARY HONEYWELL SCANNER)

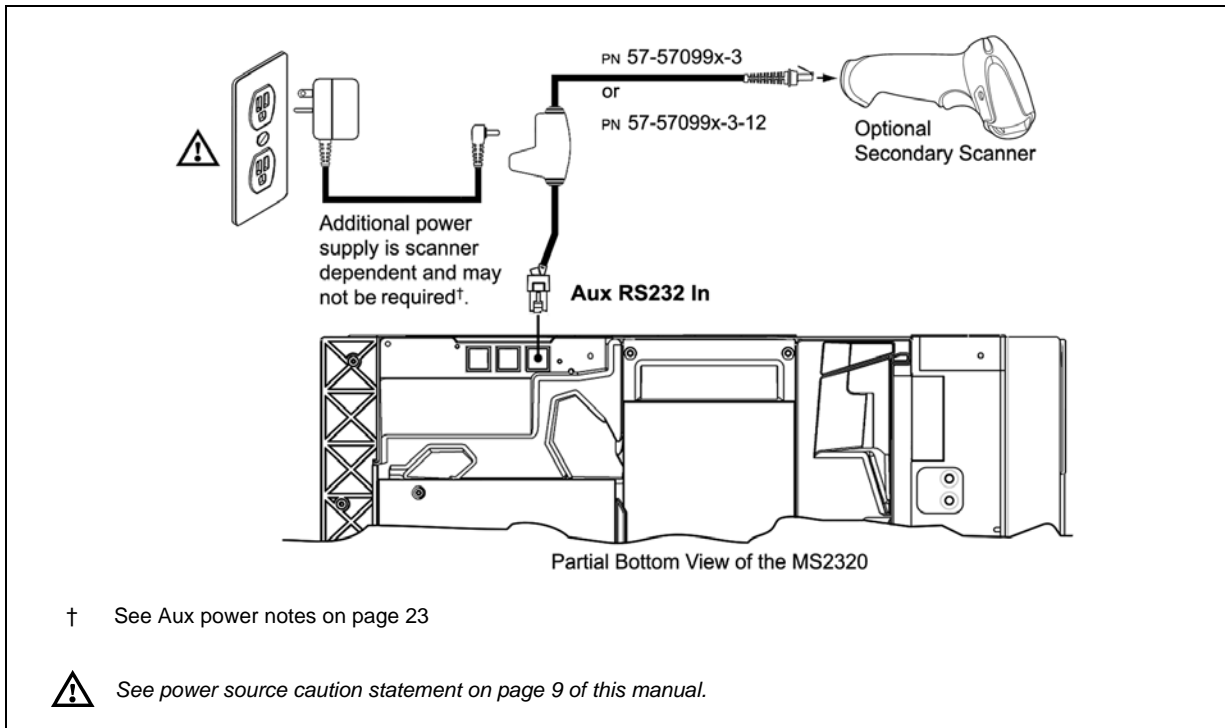


Figure 23. Secondary Scanner Cable Installation Schematic

INSTALLATION

EAS DEACTIVATION

SW1 and SW2 are the switch banks inside the Checkpoint device that set the deactivation range. The following is a list of Checkpoint recommended switch bank settings.

| Base Model | Checkpoint Recommended Switch Bank Settings |
|------------|---------------------------------------------|
| MS2320 | SW1 & SW2 switches 1 and 6 set to ON |

All StratosH models have a connector labeled *EAS In* on the bottom of the unit. Honeywell has an optional EAS cable (PN 52-52511x) available for purchase for connection between the Checkpoint Device and the StratosH.

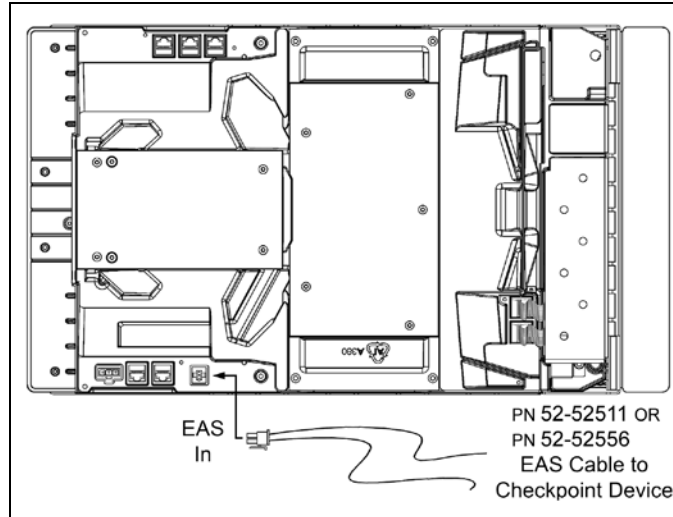


Figure 24. EAS Cable Connection (Bottom of StratosH)

The following figure shows the location of the EAS deactivation area for the StratosH. It is important to pass the entire tag through this area to deactivate the security tag.

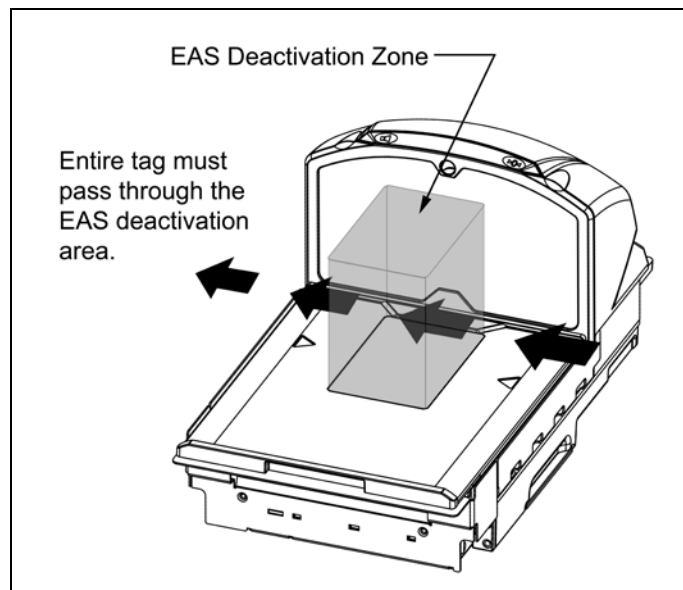


Figure 25. EAS Deactivation Area

SCANNER OPERATION

SCAN ZONE

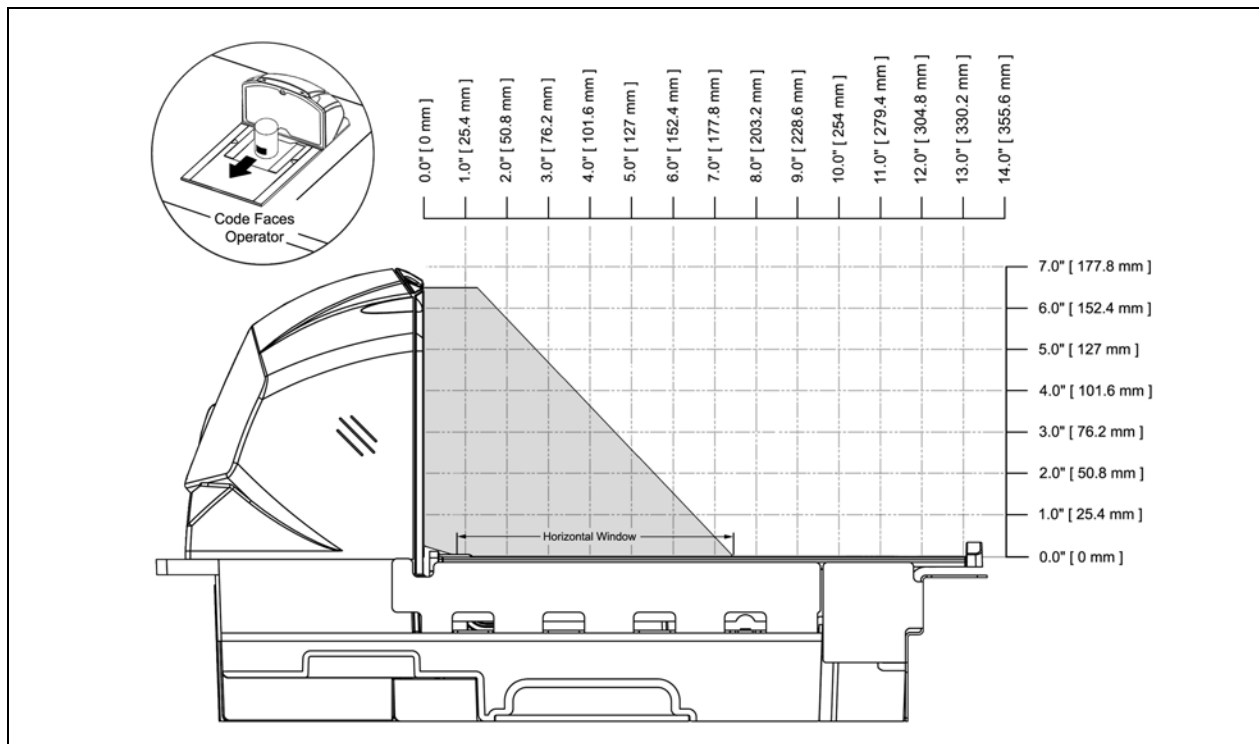


Figure 26. Checker-Side (13 mil)

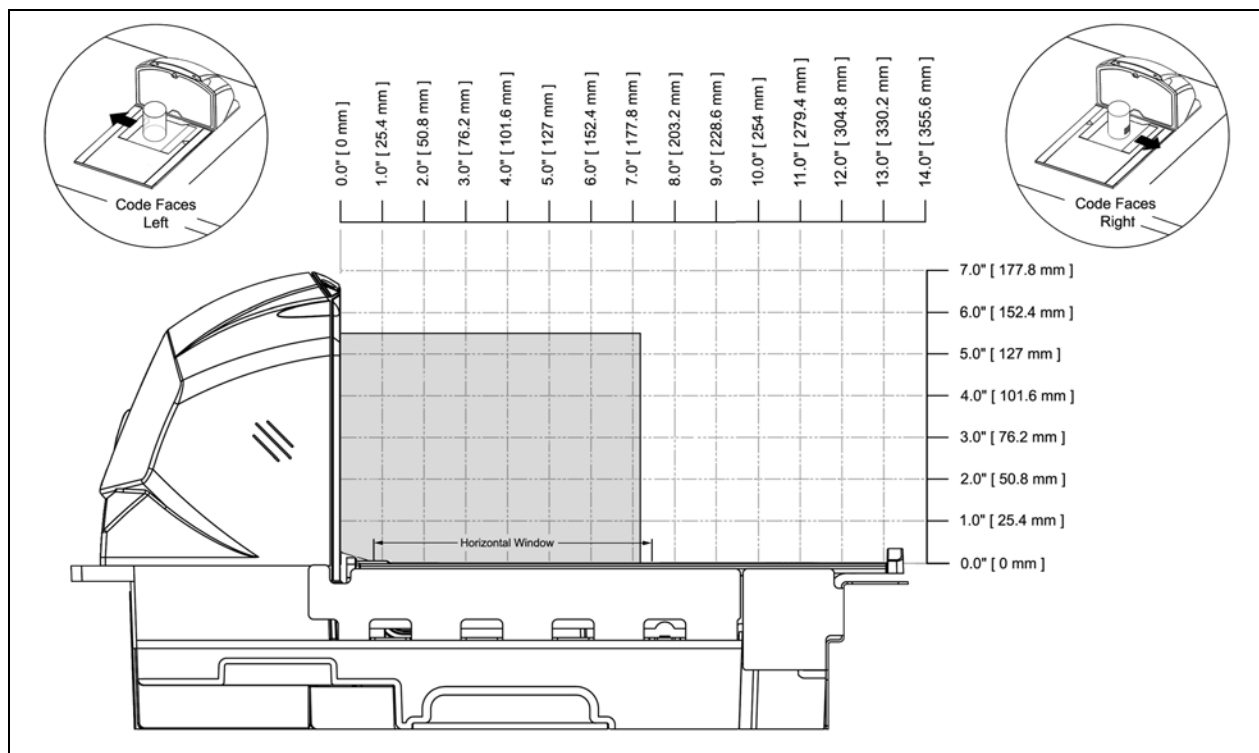


Figure 27. Horizontal Left/Right (13 mil)

Specifications are subject to change without notice.

SCANNER OPERATION

SCAN ZONE

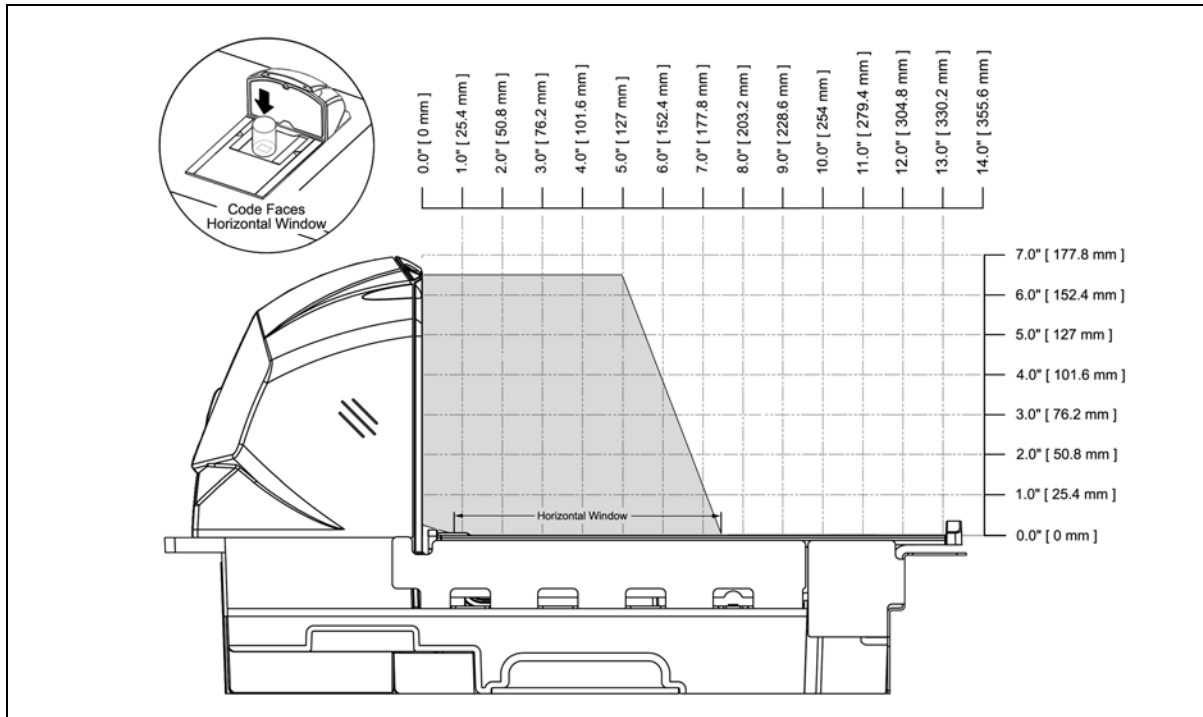


Figure 28. Horizontal Direct (13 mil)

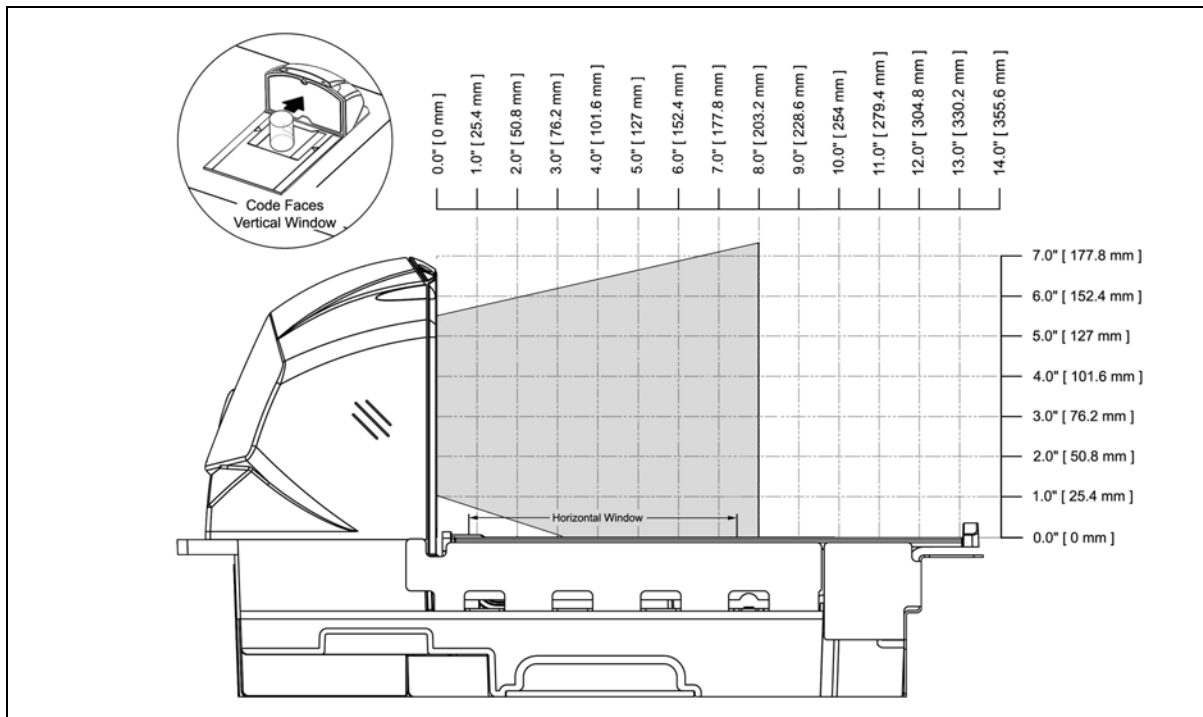


Figure 29. Vertical Direct (13 mil)

Specifications are subject to change without notice.

IR ACTIVATION AREA (IR LED OUTPUT)

The StratosH's default power save mode[†] is *Dual Action Power Save Mode #2* (see page 33). This power save mode[†] turns the laser OFF after a configured period of non-use then turns the motor OFF after thirty-minute intervals. Any movement detected by the IR in the activation area, shown below, will cause the scanner to exit the power save mode. The motor will restart automatically and the laser will turn back on preparing the scanner for bar code recognition, decoding and transmission.

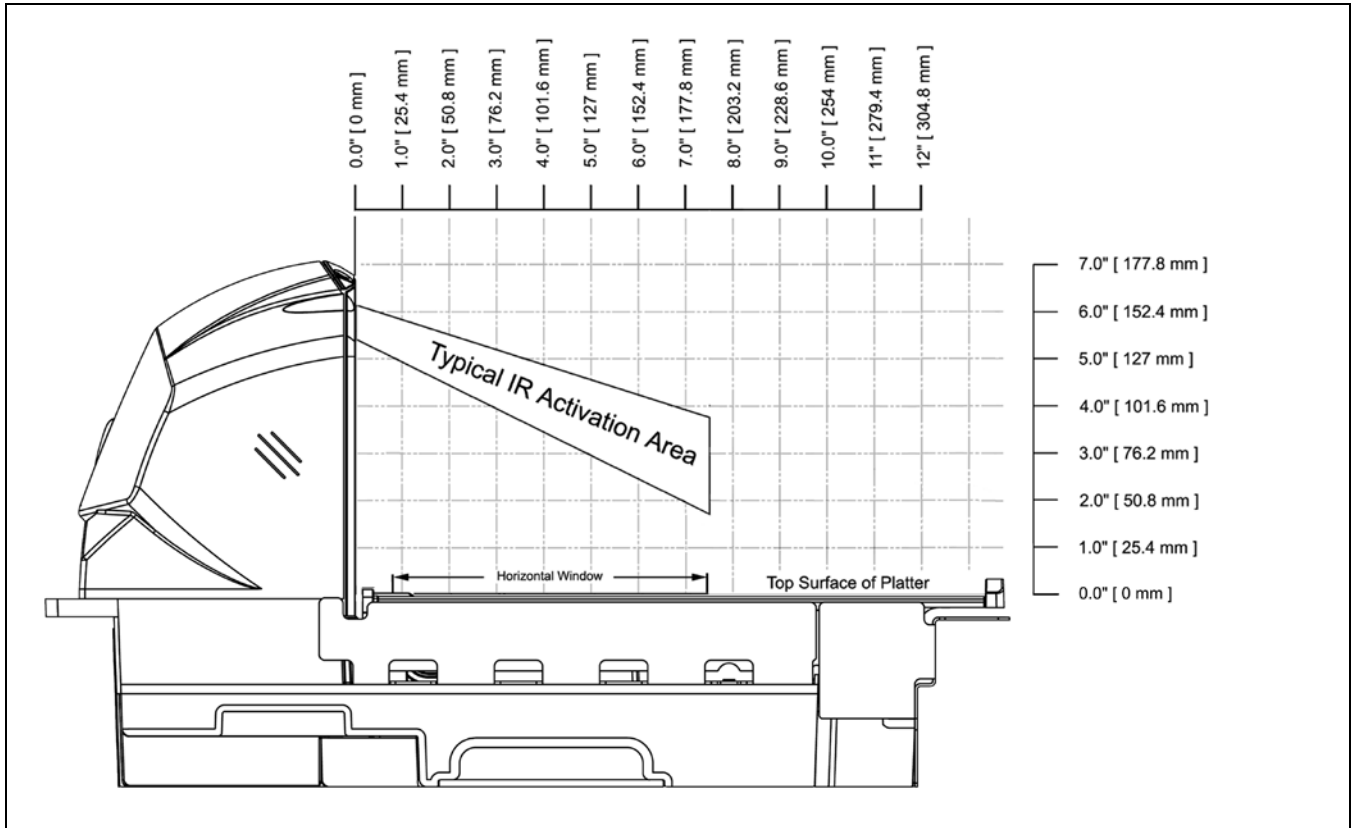


Figure 30. IR Activation Area Perpendicular to Package Flow (IR LED Output)

[†] Refer to the MetroSelect Configuration Guide (00-02407) for additional information on configurable power save modes.

Specifications are subject to change without notice.

INDICATOR DESCRIPTIONS

Audible

When in operation the StratosH provides audible feedback that indicates the status of the unit and the current scan. Eight settings are available for the tone of the beep (normal, six alternate tones and no tone) plus three volume settings. To change the tone or volume, refer to the *Changing the Beeper Tone & Volume* section of this manual.

One Beep

When the scanner *first* receives power the white LED will flash, the blue LED will turn on and the scanner will beep once (*the white LED will remain on for the duration of the beep*). The scanner is now ready to scan.

When the scanner *successfully* reads a bar code, the white LED will flash and the scanner beeps once (*if configured to do so*). If the scanner does not beep once and the white light does not flash, then the bar code has *not* been successfully read.

Razzberry Tone

This is a failure indicator. Refer to failure modes on page 30.

Three Beeps - during operation

When placing the scanner in configuration mode, the white LED will flash while the scanner simultaneously beeps three times. The white and blue LEDs will continue to flash until the unit exits configuration mode. Upon exiting configuration mode, the scanner will beep three times and the white LED will stop flashing.

When configured, three beeps can also indicate a communications timeout during normal scanning mode.

When using one-code-configuring, the scanner will beep three times (the current selected tone), followed by a short pause, a high tone and a low tone. This tells the user that the single configuration bar code has *successfully* configured the scanner.

Three Beeps - on power up

This is a failure indicator. Refer to failure modes on page 30.

Visual

White and blue LEDs are located at the top of the vertical output window. When the scanner is ON, the flashing or constant, illumination of the LEDs indicates the status of the StratosH and the current scan.

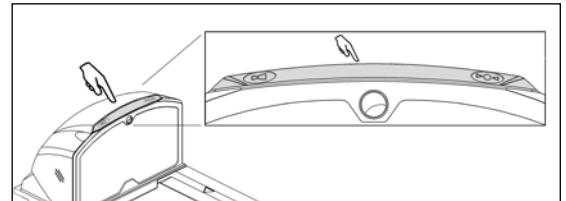


Figure 31. LEDs

No White or Blue LED

The LEDs will not be illuminated if the scanner is not receiving power from the host or transformer. They are also not illuminated when all lasers are turned off for any reason.

Steady Blue

When all lasers are active, the blue LED is illuminated. The blue LED will remain illuminated until all lasers are deactivated.

Steady Blue and Single White Flash

When the scanner successfully reads a bar code, the white LED will flash and the scanner will beep once. If the white LED does not flash or the scanner does not beep once, then the bar code has not been successfully read.

INDICATOR DESCRIPTIONS

Visual

Steady White and Blue

After a successful scan, the scanner transmits the data to the host device. Some communication modes require that the host inform the scanner when data is ready to be received. If the host is not ready to accept the information, the scanner's white LED will remain on until the data can be transmitted.

Flashing Blue then Flashing White

This indicates the scanner is in configuration mode. A razzberry tone indicates that an invalid bar code has been scanned in this mode.

Or

If the unit is in sleep mode, each LED will flash once every 15 seconds.

Steady White, Blue Off

This indicates the scanner may be waiting for communication from the host.

Flashing Blue

This indicates there is an error active on the diagnostic indicator display (see Error Codes on page 31). The scanner may continue to operate depending on the type of error.

Failure Modes

Flashing Blue and One Razzberry Tone

This indicates that the scanner has experienced a laser subsystem failure. The scanner will try up to three times to correct the failure condition. If the laser subsystem continues to fail, that subsystem (horizontal or vertical) will be shut down and an error indication will be shown on the Diagnostic Indicator Display. This error stays on the display until corrected. If the remaining subsystem is still operational, scanning will continue using the operational components.

Flashing Blue and White and Two Razzberry Tones

This indicates that the scanner has experienced a motor subsystem failure. The scanner will try up to three times to correct the failure condition. If the motor subsystem continues to fail, that subsystem (horizontal or vertical) will be shut down and an error indication will be shown on the Diagnostic Indicator Display. This error stays on the display until corrected. If the remaining subsystem is still operational, scanning will continue using the still operational components.

Continuous Razzberry Tone with Both LEDs Off

If, upon power up, the scanner emits a continuous razzberry tone, then the scanner has an electronic failure. Return the unit for repair at an authorized service center.

Three Beeps – On Power Up

If the scanner beeps three times on power up then, the nonvolatile memory that holds the scanner configuration has failed. Return the unit for repair at an authorized service center.

SCANNER OPERATION

INDICATOR DESCRIPTIONS

Diagnostic Indicator Display

There is a two-digit error code display located under the platter near the end of the scanner farthest from the vertical window (see figure below).

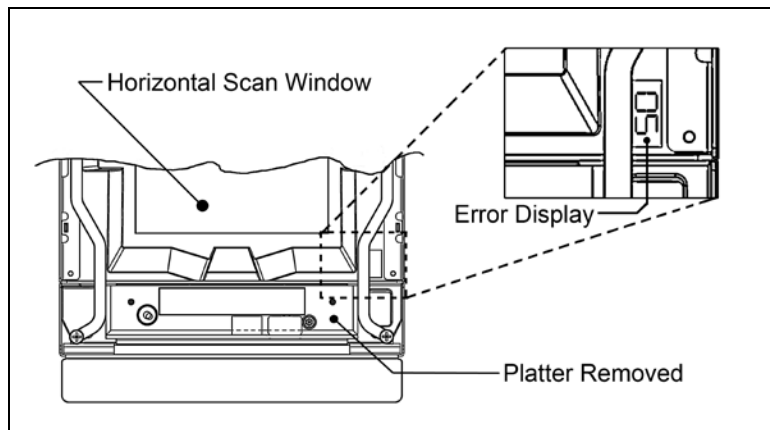


Figure 32. Error Code Display

The following is a list of possible error codes and their meanings. Some errors will require immediate scanner maintenance.

| ERROR CODE | DESCRIPTION |
|------------|------------------------------------------------------------------------------------------------------------------------------------------------------------------------------------------------------------------------------------------------------------------------------------------------------------------------------------------------------------------------------------------------------------------------------------------------------------------------------------------------------------------|
| 01 | Reserved |
| 02 | RAM ERROR – The scanner's Random Access Memory (RAM) is tested as faulty. Return the unit for repair at an authorized service center. |
| 03 | PROGRAM ERROR – The scanner's software program is failing. Return the unit for repair. |
| 04 | INTERFACE ERROR – After power up and any application exit (e.g. MetroSet™, etc.), the scanner checks the interface hardware with that chosen in configuration. If they do not agree, an interface error exists. Correct this problem by getting the proper hardware interface OR programming StratosH configuration for the proper interface hardware attached. |
| 05 | CONFIGURATION ERROR – The non-volatile configuration memory did not agree with the data last saved. Default configuration data is then used and the scanner continues operating. This error is also accompanied by three beeps. This error will remain during operation as a reminder that this power cycle is scanning against a default-generated configuration. |
| 06 | COMMUNICATION ERROR – The RS232 data line is being held active. This causes the scanner to read a "break" signal constantly and continuous attempts are made to enter MetroSet configuration mode. A short on the RX Data line can cause this condition. It can also be the result of a laptop in power save mode. The scanner will abort attempts to enter configuration mode after a short timeout. The scanner can automatically recover from this condition once the short in the RX Data line is corrected. |
| 09 | COPROCESSOR COMMUNICATION ERROR – The main microprocessor is not communicating with the interface coprocessor. The interface coprocessor may be in a fault condition with the host or just not able to respond. This error may appear when the scanner is configured for USB or RS485 interface applications or during an attempt to update the interface software through the flash utility. The unit should be repaired at an authorized service center. |

SCANNER OPERATION

INDICATOR DESCRIPTIONS

Diagnostic Indicator Display

| ERROR CODE | DESCRIPTION |
|------------|--------------------------------------------------------------------------------------------------------------------------------------------------------------------------------------------------------------------------------------------------------------------------------------------------------------------------------------------------------------------------------------------------------------|
| 11 | SWITCH ERROR – The switch used for volume selection or sleep mode is detected in error (always closed). The condition is self-correcting if possible. If the error persists, return the unit for repair at an authorized service center. The scanning operation can continue with this error active. |
| 13 | SCALE ERROR – Single Cable Scanner/Scales Only. The scanner does not communicate with the scale. Make sure there is nothing plugged into the <i>Scale RS232 to Host</i> port. If there is a cable connected, disconnect the cable it may be causing the communication error. If there is still no communication between the scanner and scale return the unit to an authorized service center for repair. |
| 14 | SCALE RETURN TO ZERO ERROR – The scale did not return to zero between scale weight requests if the zero checking function is enabled. The scale will need to be re-zeroed. |
| 21 | LASER #1 (VERTICAL) ERROR – The laser in the vertical scanning subsystem denotes a failure. The scanner will try three times to correct the laser operation. If the laser error persists, the vertical scanning subsystem will be shut down and this error code will remain on the Diagnostic Indicators. |
| 22 | LASER #2 (RIGHT HORIZONTAL) ERROR – The right laser in the horizontal scanning subsystem denotes a failure. The scanner will try three times to correct the laser operation. If the laser error persists, and the left horizontal laser (#3) is also in error, the horizontal scanning subsystem will be shut down and this error code will remain on the Diagnostic Indicators. |
| 23 | LASER #3 (LEFT HORIZONTAL) ERROR – The left laser in the horizontal scanning subsystem denotes a failure. The scanner will try three times to correct the laser operation. If the laser error persists, and the right horizontal laser (#2) is also in error, the horizontal scanning subsystem will be shut down and this error code will remain on the Diagnostic Indicators. |
| 31 | MOTOR #1 (VERTICAL) ERROR – The motor in the vertical scanning subsystem denotes a failure. The scanner will try three times to correct the motor operation. If the motor error persists, the vertical scanning subsystem will be shut down and this error code will remain on the Diagnostic Indicators. |
| 32 | MOTOR #2 (HORIZONTAL) ERROR – The motor in the horizontal scanning subsystem denotes a failure. The scanner will try three times to correct the motor operation. If the motor error persists, the horizontal scanning subsystem will be shut down and this error code will remain on the Diagnostic Indicators. |

POWER SAVE MODES

The StratosH has five configurable power save modes. Refer to the *MetroSelect Configuration Guide (PN 00-02407.x)* for additional information on Power Save Modes.

1. **Blink Power Save Mode:**

Blinks the laser OFF & ON after a configured period of non-use.
When the scanner recognizes a bar code it will exit the Blink mode.

2. **Laser Off Power Save Mode:**

Turns the laser OFF after a configured period of non-use. The motor continues to spin allowing for a faster “wake” up time.
Any movement detected by the IR will “wake” the scanner from the *Laser Off* power save mode (see *Figure 31* on page 28).

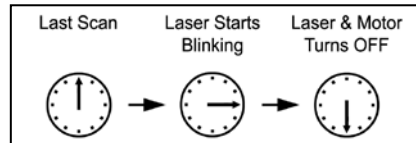
3. **Laser & Motor Off Power Save Mode:**

Turns the laser and motor OFF after a configured period of non-use.
Any movement detected by the IR will “wake” the scanner from the power save mode (see *Figure 31* on page 28). This mode’s “wake” time is slightly longer due to the motor’s need to restart.

4. **Dual Action Power Save Mode #1:**

“Blinks” the laser OFF & ON after a configured period of non-use turns the laser and motor OFF at thirty-minute intervals.

Example:
If the power save timeout is set to 15 minutes.

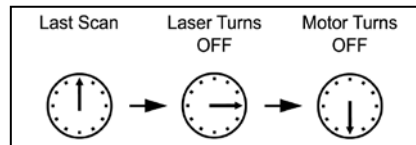


Any movement detected by the IR will “wake” the scanner from the power save mode (see *Figure 31* on page 28).

5. **Dual Action Power Save Mode #2 (Default):**

Turns the laser OFF after a configured period of non-use then turns the motor OFF after thirty-minute intervals.

Example:
If the power save timeout is set to 15 minutes.



Any movement detected by the IR will “wake” the scanner from the power save mode (see *Figure 31* on page 28).

BEEPER OPTIONS AND BUTTON FUNCTIONS

Changing the Beeper Tone

Beeper tones may be configured incrementally using the following bar code. The new tone will be heard followed by a short pause. Two more new tones will be heard signifying the new setting has been stored in memory. The silent (no beep) tone is also selectable.



Changing the Beeper Volume

Volume levels may be configured using the volume button or incrementally using the following bar code. The new volume will be heard followed by a short pause. Two more tones will be heard signifying the new setting has been saved in memory. The silent (no volume) tone is also selectable.



The Multi-Function Button

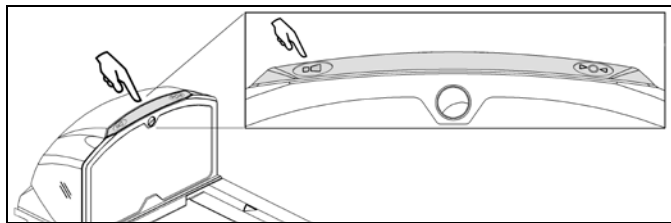


Figure 33. The Multi-Function Volume Button

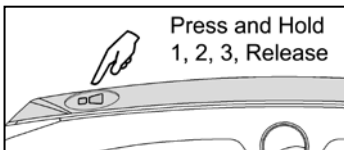


Figure 34. Changing the Beeper Volume

Changing the Beeper Volume

A short (<3 second) depression and the beeper volume will change. The new volume will be heard. The silent (no beep) volume is also selectable.

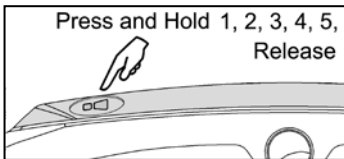


Figure 35. Laser & Motor Off Power Save Move

Placing the Unit in Laser & Motor Off Power Save Mode

Long (>3 seconds) depression The *Laser & Motor Off Power Save Mode* is the only power save mode that can be activated with the multi-function button*.

* This feature is configuration dependent. Refer to the MetroSelect Configuration Guide (PN 00-02407x) under Scanner Operation: Power Save Modes to enable this feature.

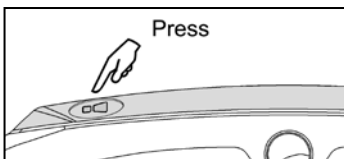


Figure 36. Normal Operation

Waking the Unit from All Power Save Modes

The next button depression will awaken the scanner for normal operation.

SCANNER OPERATION

STARTUP

When the scanner *first* receives power the white LED will flash, the blue LED will turn on and the scanner will beep once (*the white LED will remain on for the duration of the beep*). The scanner is now ready to scan.

POWER-UP TEST MODE

When a Stratos H scanner is first powered up, it cycles through a number of self-tests before starting normal operation. If there are any initial failures during this sequence of tests the scanner will beep or razz to indicate the error and an error code will appear in the diagnostic indicator display.

The following are examples of the types of tests performed at power-up.

1. Memory tests
2. Hardware setup tests
3. Motor tests
4. Laser tests
5. Configuration tests
6. Interface tests
7. Scale tests

These tests are also performed on a periodic basis with the operator alerted to any failures.

CONFIGURATION MODE

All Stratos H series scanners have been configured at the factory with a set of default communication protocols. Since many host systems have unique formats and protocol requirements, Honeywell provides a wide range of configurable features that may be selected with the use of the MetroSelect Configuration Guide (PN 00-02407 x), the MS2 x 20 Stratos Series Scanner/Diva Scale Configuration Addendum (PN 00-02272 x) and MetroSet.

SCALE OPERATION

SCALE ZEROING

After the unit has been officially calibrated (see page 37) the scale can be re-zeroed by pressing the scale zeroing button on either the unit or on the remote display stand. Refer to the figures below for button locations.

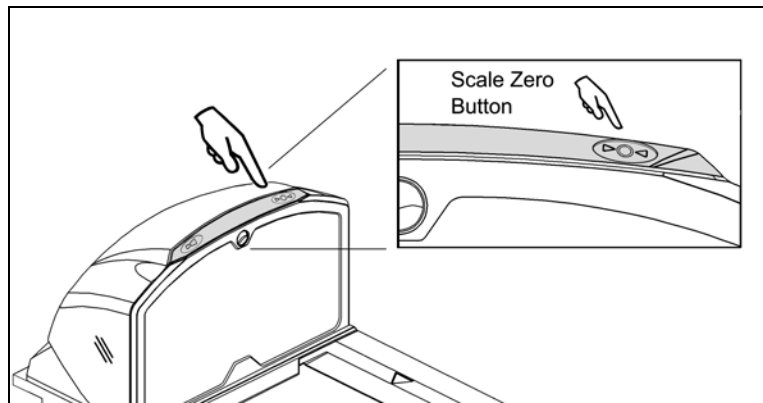


Figure 37. Scale Zero Button

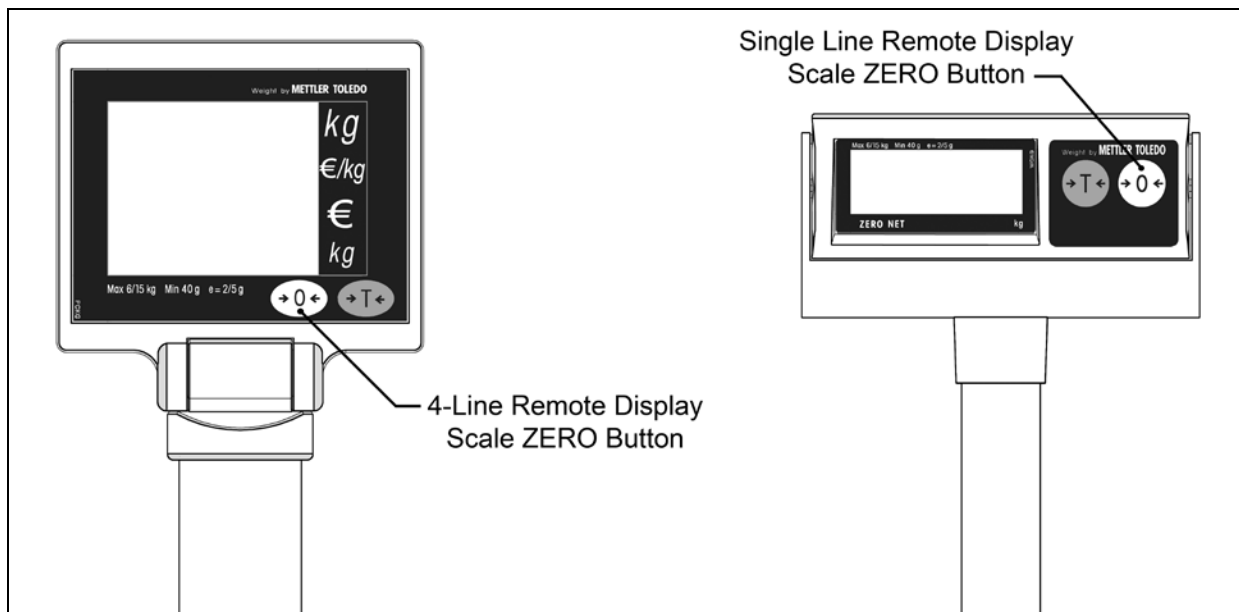


Figure 38. Optional Remote Display Keypad

SCALE OPERATION

CALIBRATION

The scanner/scale must be calibrated if:

- it is a first time installation
- the scale cannot be re-zeroed
- the calibration verification tests indicate errors
- there is a change in the units of measure [i.e. from pounds (lbs.) to kilograms (kg)]
- if the scale load cell has been replaced
- the calibration seal is missing or torn

i The certification of the weighing mechanism of the scale version of this scanner is subject to federal, state and local Weights and Measures statutes and regulations and can only be performed by authorized government agencies and/or their duly registered agents. Each time the scale or weighing mechanism is calibrated, it should be properly sealed with a paper seal or a wire seal prior to being placed into service in commerce.

It is the responsibility of the owner of the scale to confirm compliance with the relevant Weights and Measures statutes and regulations applicable in your area by checking with the appropriate government agency before placing a newly calibrated unit into service or removing any official seals.

Tools Required

- Field Standard 30.0 pound Weight Set **or** 15.0 kilogram Weight Set
- Phillips #1 Screw Driver
- Wire or Paper Seal



Type of seal to be used will depend on the guidelines specified by the local Weights and Measures authorities.

Scale Calibration Methods

- **Scale Calibration with Remote Display** uses the scale display to sequence through the calibration steps and store critical calibration points.
- **Bar Code Scale Calibration without Remote Display*** uses the scanner / scale *only* and assumes there is no remote scale display. A bar code is used to initiate the calibration sequence and the speaker volume switch is used to store critical range values.


* This calibration procedure will also work with the remote display connected to the StratosH.


SCALE OPERATION

CALIBRATION

Priming the Scale for Calibration


Prime the scale before starting either method of calibration.

 Calibrate the scanner/scale **after** the unit is installed in the checkout countertop.

 It is important to use the correct certified (lb. or kg.) field weight set when calibrating the scale.

1. Check the platter to ensure that nothing is interfering with its freedom to move. Assure that no debris is present from daily use of the scanner/scale if it has been in service.

2. Apply power to the scanner/scale.

 See power source caution statement on page 9 of this manual.

3. Wait 5 minutes after power up before proceeding.

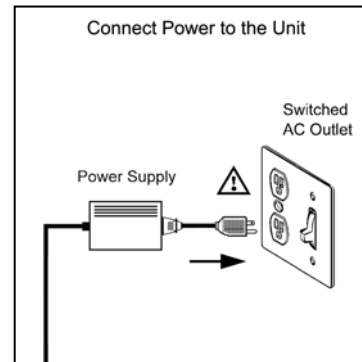


Figure 39. Power Up Unit

4. Place the 30.0 lb. weight **or** the 15 kg weight on the center of the scale. Allow the weight to settle.

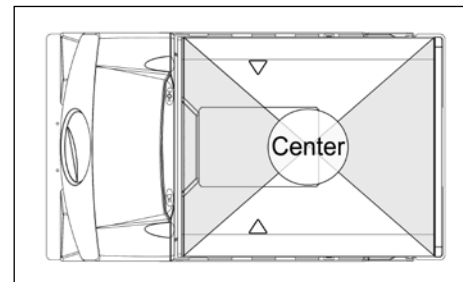


Figure 40. Scale Center

5. Remove the weight.

6. Repeat three times to prime the scale before calibration.

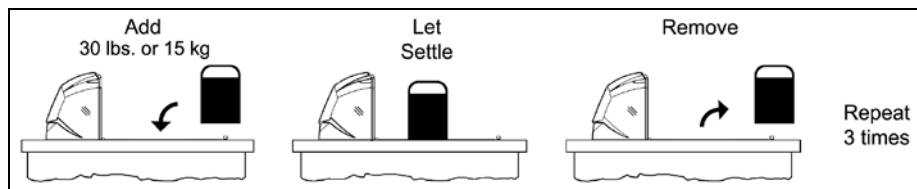


Figure 41. Priming the Scale for Calibration

SCALE OPERATION

CALIBRATION

Scale Calibration Procedure (lbs. or kg) with Remote Display*

1. Temporarily remove the platter and place it in a safe location.

i It is the responsibility of the owner of the scale to confirm compliance with the relevant Weights and Measures statutes and regulations applicable in your area by checking with the appropriate government agency before placing a newly calibrated unit into service or removing any official seals.

2. If this is a currently installed scanner/scale, there will be either an adhesive label seal or wire sealed cover over the scale calibration button. New installation units will only have a factory-applied adhesive seal covering the scale calibration button installed.

- To remove the adhesive label seal, peel off the label and discard.
- To remove the wire seal, cut the wire and discard. Fully loosen the security screw and lift off the cover. Place the security screw and cover in a safe location.

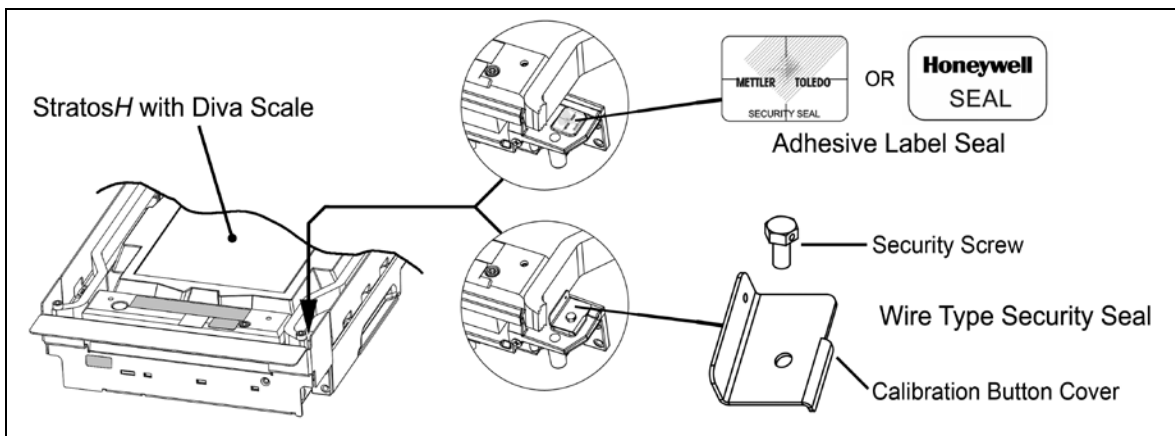


Figure 42. Diva Scale security seals

3. Press the calibration button to access the Service Mode. 'Cal' then 'Conf' will appear on the remote display.

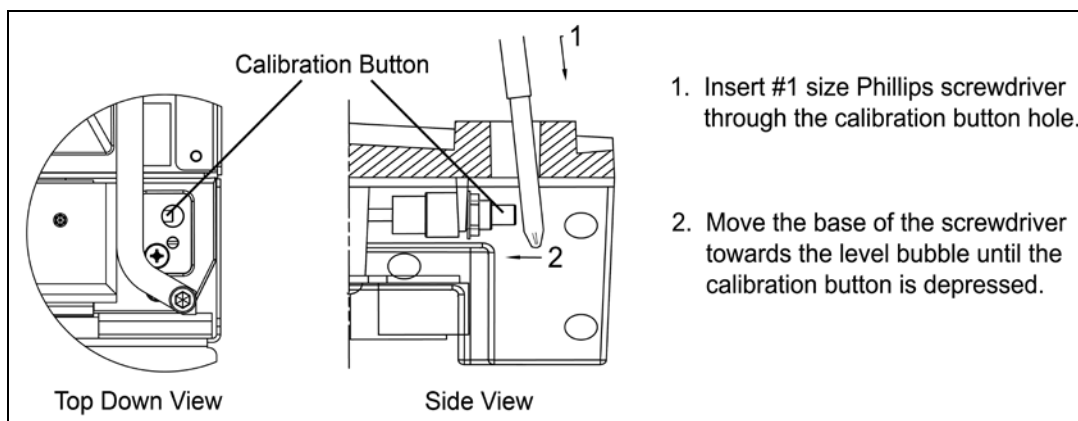


Figure 43. Enter Service Mode

* These procedures are for MS2320 StratosH Scanner/Diva Scale models only

SCALE OPERATION

CALIBRATION

Scale Calibration Procedure (lbs. or kg) with Remote Display*

- Reinstall the platter onto the scanner/scale.

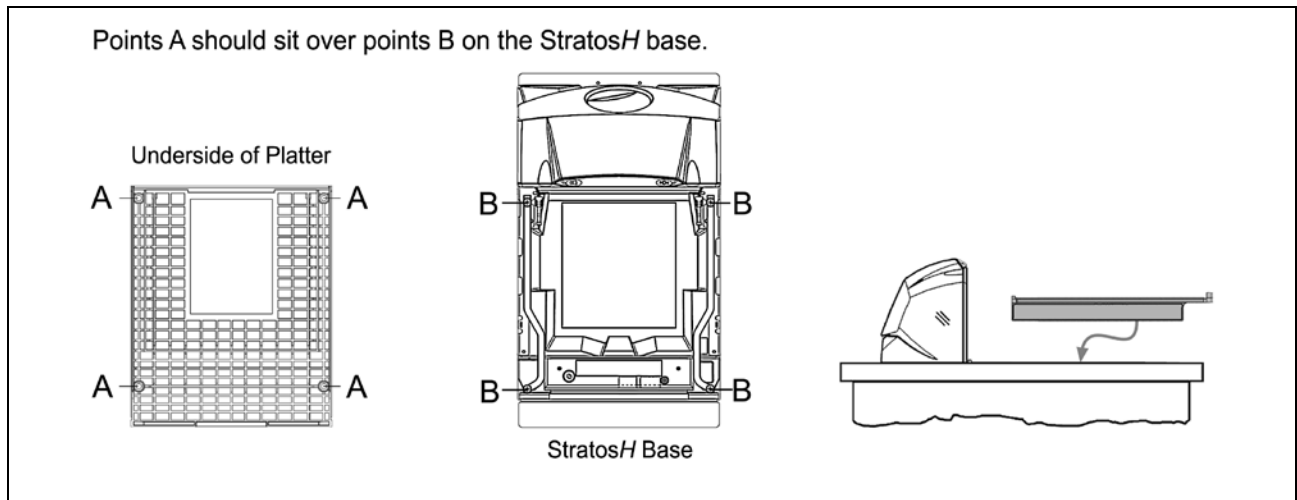


Figure 44. Install Platter

- Go to **Group 1 Step 8** (Weight Unit) of the Service Mode by pressing the Zero ($\rightarrow 0 \leftarrow$) key several times until 'Group 1 Step 8' is displayed on the Remote Scale Display screen (see Figure 46 below).

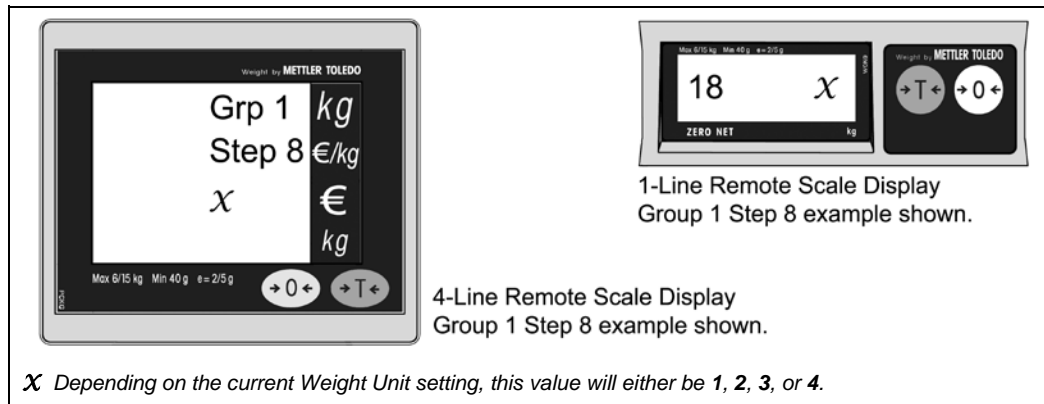


Figure 45. Remote Scale Display Group 1 Step 8 example shown

- Verify the weight unit setting.** Verify the Group 1 Step 8 setting using the table shown below. Press the Zero ($\rightarrow 0 \leftarrow$) key if correct. If the lb (Pounds) or kg (Kilograms) basic range setting needs to be changed, press the Tare ($\rightarrow T \leftarrow$) key to scroll through the selectable options. Press the Zero ($\rightarrow 0 \leftarrow$) key to accept the selected weight unit range.


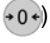



| Group 1.Step 8 (1.8) | Selectable Weight Unit Ranges |
|-------------------------------------------|------------------------------------------------|
| 1 | lbs range (0 to 30 lbs) ** |
| 2 | kg range (0 to 15kg) |
| 3 | kg multi-interval (0 to 6kg, 6 to 15kg) ** |
| 4 | lbs multi-interval (0 to 15 lbs, 15 to 30 lbs) |
| ** Common ranges used as default setting. | |

* These procedures are for MS2320 StratosH Scanner/Diva Scale models only.

SCALE OPERATION


CALIBRATION

Scale Calibration Procedure (lbs. or kg) with Remote Display *

7. Go to **Group 2 Step 6** (Calibration) of the Service Mode. Press the Tare () key to advance to Group 2, then use the Zero () key to advance to step 6 of group 2.
8. Press the Tare () key to change the prompt to 'YES'.
9. Press the Zero () key to accept.
10. The display will now show "- - - - -". This indicates the scale is ready to take a zero reading. Check the platter to ensure that it is seated properly and nothing is touching or interfering with its freedom to move.
11. Press the Zero () key to accept and begin taking the Zero Capacity calibration reading.




If the scale is unable to capture a stable reading it will not store any value and advance to the next step. Verify nothing is touching or interfering with the scale and/or platter.

12. Once the calibration reading has been successfully taken, the display will now show "**FULCAP**" (Full Capacity). Place the Full Capacity weight, either 15kg or 30lb (whichever matches the scales selected Weight Unit), on the center of the scale platter. Wait at least 3 seconds for the scale to stabilize.
13. Press the Zero () key to accept and begin taking the Full Capacity calibration reading.



If the scale is unable to capture a stable reading it will not store any value and advance to the next step. Verify nothing is touching or interfering with the scale and/or platter.

14. Once the calibration reading has been successfully taken, the display will now show "**UNLOAD**" (Zero Capacity). **Remove all weight** from the platter at this time. Wait at least 3 seconds for the scale to stabilize.
15. Press the Zero () key to accept and begin taking the final Zero Capacity calibration reading.
16. The display will now begin the initialization sequence and return to the normal weighing mode in the weight units calibrated.
17. The unit's calibration must now be verified as required by state and/or local Weight and Measures regulations (starting on Page 46).

Need to Start Over?

To restart the calibration process, restart at Step 1 on page 39.

* These procedures are for MS2320 StratosH Scanner/**Diva** Scale models only.

SCALE OPERATION

CALIBRATION

Bar Code Calibration Procedure without Remote Display*

The following calibration procedure can be used when the remote scale display is not present. The Multi-Function Button (see page 34) is used to advance to the next stage of calibration and the LED display notifies the operator which 'calibration stage' is active.

1. Temporarily remove the platter and place it in a safe location.



It is the responsibility of the owner of the scale to confirm compliance with the relevant Weights and Measures statutes and regulations applicable in your area by checking with the appropriate government agency before placing a newly calibrated unit into service or removing any official seals.

2. If this is a currently installed scanner/scale, there will be either an adhesive label seal or wire sealed cover over the scale calibration button. New installation units will only have a factory-applied adhesive seal covering the scale calibration button installed.
 - To remove the adhesive label seal, peel off the label and discard.
 - To remove the wire seal, cut the wire and discard. Fully loosen the security screw and lift off the cover. Place the security screw and cover in a safe location.

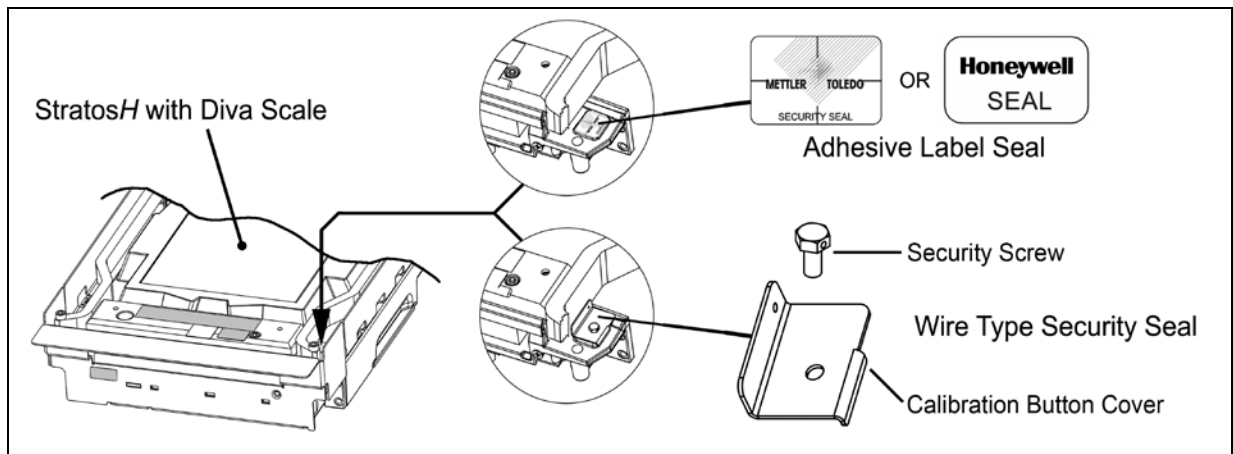


Figure 46. Diva Scale security seals

3. **Enter the scale program mode.** Press the calibration button to engage the scale calibration mode. *If the system is a dual cable system, disconnect the host to scale RS232 cable from the unit.*

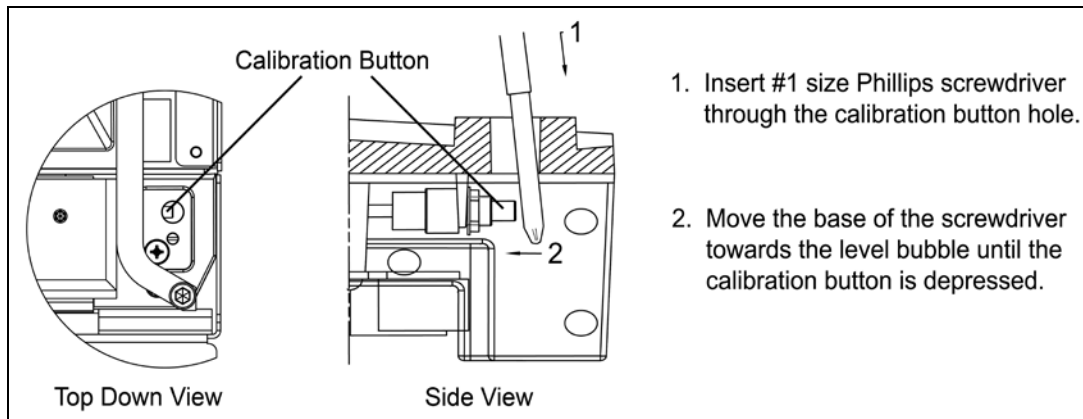


Figure 47. Entering the Scale Program Mode

* These procedures are for MS2320 StratosH Scanner/Diva Scale models only.

SCALE OPERATION

CALIBRATION

Bar Code Calibration Procedure without Remote Display*

4. Reinstall the platter onto the scanner/scale (see *Figure 49*).

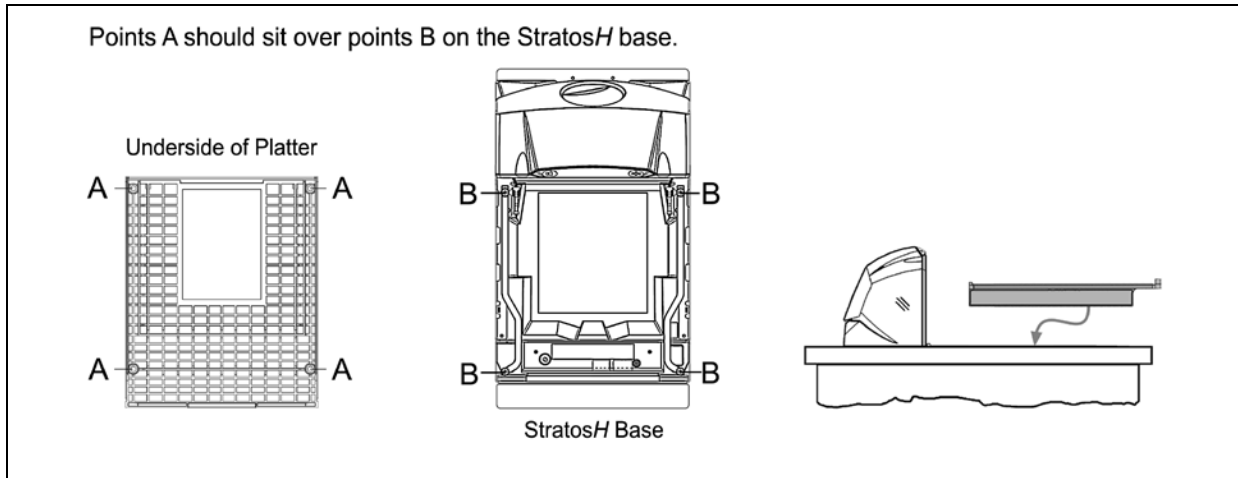


Figure 48. Platter Installation

5. **Enter bar code calibration mode.** Use the vertical window to scan one of the following bar codes, whichever weight units (either pounds or kilograms) the scanner/scale will be operating in. The scanner will beep once as it enters the bar code calibration mode and the calibration utility will start.

Unit Calibration (Pounds)

For Kilogram weight units see instructions on page 44.

Pounds Calibration

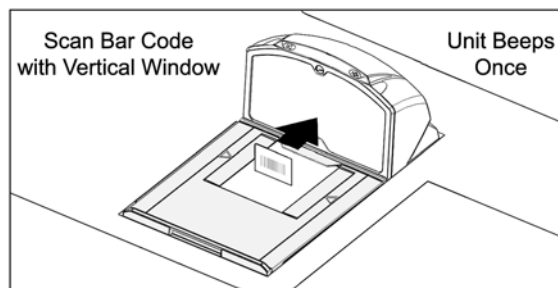
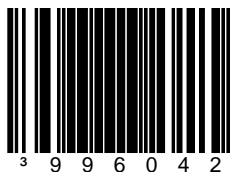


Figure 49. Entering Bar Code Calibration Mode (Pounds)



If a razz tone sounds, an error has occurred. Refer to *Diagnostic Indicator Display; Error Codes* starting on page 31 for additional information.

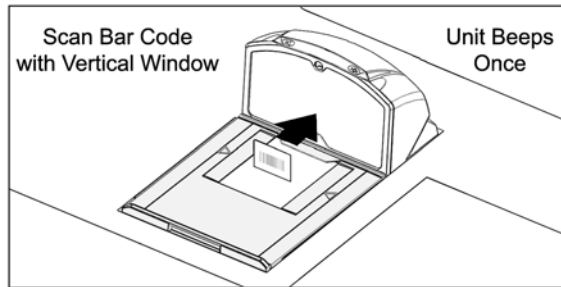
* These procedures are for MS2320 StratosH Scanner/**Diva** Scale models only.

CALIBRATION

Bar Code Calibration Procedure without Remote Display*

Unit Calibration (Kilograms)

For Pound weight units see instructions on page 43.



Kilograms Calibration

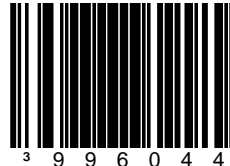


Figure 50. Entering Bar Code Calibration Mode (Kilograms)



If a razz tone sounds, an error has occurred. Refer to *Diagnostic Indicator Display; Error Codes* starting on page 31 for additional information.

6. Make sure there is **no load** on the scale platter. The white LEDs will be used to indicate the current step in the calibration process.
7. **Calibrate a zero load.** The white LEDs will blink once periodically. Wait 8 to 10 seconds for scale stability, and then press the Multi-Function Button once. After the Multi-Function Button has been pressed, there will be a short delay followed by one short beep indicating that the zero load value has been stored.

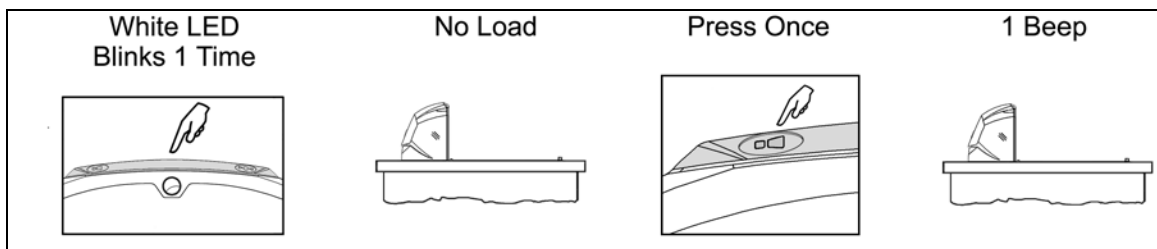


Figure 51.

* These procedures are for MS2320 StratosH Scanner/Diva Scale models only.

SCALE OPERATION

CALIBRATION

Bar Code Calibration Procedure without Remote Display*

8. Place a **FULL Load** on the center of the scale platter. The white LEDs will blink 3 times periodically. Wait at least 3 seconds for scale stability, and then press the Multi-Function Button once. After the Multi-Function Button has been pressed, there will be a short delay followed by three short beeps indicating that the FULL Load value has been stored.

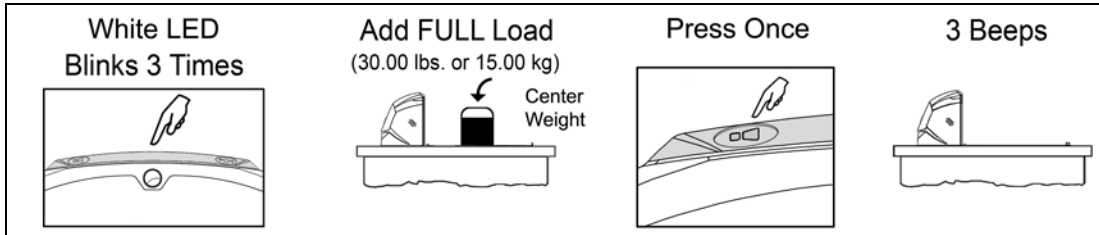


Figure 52.

9. Remove the entire load from the scale platter. The white LEDs will blink 5 times periodically. Wait at least 3 seconds for scale stability, and then press the Multi-Function Button once. After the Multi-Function Button has been pressed, there will be a short delay followed by five short beeps indicating that the zero load value has been stored.

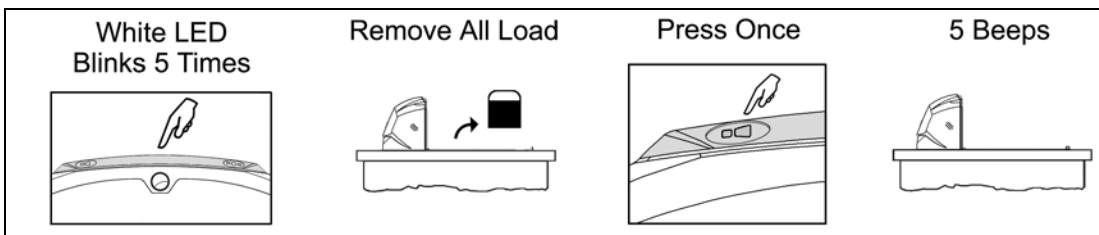


Figure 53.

10. Calibration process is now complete. The scanner will automatically restart, and beep one time, in about 12 seconds.
11. Verify the calibration was successful with the calibrated weight. If the scale display does not accurately show the calibrated load weight correctly, restart this procedure from Step 1 on page 42.
12. The unit's calibration must now be verified as required by state and/or local Weight and Measures regulations (starting on Page 46).

* These procedures are for MS2320 StratosH Scanner/Diva Scale models only.

SCALE OPERATION

CALIBRATION VERIFICATION

U.S. Pounds (lbs.)

The following tests verify if the scale's Calibration is accurate. For Kilograms see instructions starting on page 47.



The following tests are based on a 2-digit accuracy setting for pounds.

- Increasing Load Test
- Shift Test
- Decreasing Load Test
- Return to Zero Test

Increasing Load Test

1. Ensure there is no load on the scale platter and verify the remote display reads 0.00 lbs.
2. Place a 5.00 lb. weight on the center of the scale platter and verify the display reads 5.00 lbs.
3. Place an additional 5.00 lb. weight on the center of the scale platter and verify the remote display reads between 9.99 and 10.01 lbs.
4. Place an additional 10.00 lb. weight on the center of the scale platter and verify the remote display reads between 19.99 and 20.01 lbs.
5. Place an additional 10.00 lb. weight on the center of the scale platter and verify the remote display reads between 29.99 and 30.01 lbs.
6. Remove all the weight from the scale platter and verify the display reads 0.00 lbs.

Shift Test

1. Ensure there is no load on the scale platter and verify the remote display reads 0.00 lbs.
2. Place a 15.00 lb. weight on the scale platter in the center of zone A (see diagram) and verify the remote display reads between 14.99 and 15.01 lbs.
3. Remove the 15.00 lb. weight and verify the display reads 0.00 lbs.
4. Repeat steps 2 and 3 for each of the remaining zones (B, C, and D).
5. Verify that the remote display reads 0.00 lbs. when all weight has been removed.

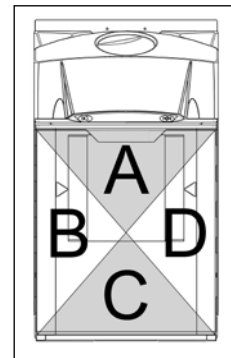


Figure 54. Shift Test Zones

Decreasing Load Test

1. Ensure there is no load on the scale platter and verify the remote display reads 0.00 lbs.
2. Place a 30.00 lb. load on the center of the scale platter (use two 10.00 lb. weights and two 5.00 lb. weights). Verify the remote display reads between 29.99 and 30.01 lbs.
3. Remove a 10.00 lb. weight from the platter and center remaining weight. Verify that the remote display reads between 19.99 and 20.01 lbs.
4. Remove another 15.00 lbs. from the platter, center the remaining weight and verify the scale reads 5.00 lbs.
5. Remove all the weight from the platter and verify the scale has returned to 0.00 lbs.

Return to Zero Test

1. Ensure there is no load on the scale platter and verify the remote display reads 0.00 lbs.

SCALE OPERATION

CALIBRATION VERIFICATION

Kilograms (kg)

The following tests verify if the scale's Calibration is accurate. For US Pounds see instructions starting on page 46.



The following tests are based on a 3-digit accuracy setting for kilograms.

- Increasing Load Test
- Shift Test
- Decreasing Load Test
- Return to Zero Test

Increasing Load test

1. Ensure there is no load on the scale platter and verify the remote display reads 0.000 kg.
2. Place a 2.500 kg weight on the center of the scale platter and verify the display reads 2.500 kg.
3. Place an additional 2.500 kg weight on the center of the scale platter and verify the remote display reads between 4.995 kg and 5.005 kg.
4. Place an additional 5.000 kg weight on the center of the scale platter and verify the remote display reads between 9.995 kg. and 10.005 kg.
5. Place an additional 5.000 kg weight on the center of the scale platter and verify the remote display reads between 14.995 kg. and 15.005 kg.
6. Remove all the weight from the scale platter and verify the display reads 0.000 kg.

Shift Test

1. Ensure there is no load on the scale platter and verify the remote display reads 0.000 kg.
2. Place a 7.500 kg weight on the scale platter in the center of zone A (see diagram) and verify the remote display reads between 7.495 kg. and 7.505 kg.
3. Remove the 7.500 kg weight and verify the display reads 0.000 lbs.
4. Repeat steps 2 and 3 for each of the remaining zones (B, C, and D).
5. Verify that the remote display reads 0.000 kg when all weight has been removed.

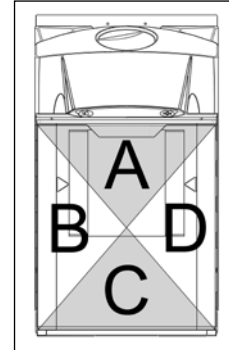


Figure 55. Shift Test Zones

Decreasing Load Test

1. Ensure there is no load on the scale platter and verify the remote display reads 0.000 kg.
2. Place a 15.000 kg load on the center of the scale platter. Verify the remote display reads between 14.995 kg. and 15.005 kg.
3. Remove 7.500 kg from the platter and center remaining weight. Verify that the remote display reads between 7.495 kg. and 7.505 kg.
4. Remove another 5.000 kg from the platter, center remaining weight and verify the scale reads 2.500 kg.
5. Remove all the weight from the platter and verify the scale has returned to 0.000 kg.

Return to Zero Test

1. Ensure there is no load on the scale platter and verify the remote display reads 0.000 kg.

SECURITY SEAL INSTALLATION

i The certification of the weighing mechanism of the scale version of this scanner is subject to federal, state and local Weights and Measures statutes and regulations and can only be performed by authorized government agencies and/or their duly registered agents. Each time the scale or weighing mechanism is calibrated, it should be properly sealed with a paper seal or a wire seal prior to being placed into service in commerce.

It is the responsibility of the owner of the scale to confirm compliance with the relevant Weights and Measures statutes and regulations applicable in your area by checking with the appropriate government agency before placing a newly calibrated unit into service or removing any official seals.

Type of seal to be used will depend on the guidelines specified by the local Weights and Measures authorities.

The security seal must only be installed if there were no errors during the scale calibration verification tests.

Pressure Sensitive Security Seal*

1. Temporarily remove the platter and place it in a safe location.
2. Apply the adhesive calibration security seal over the calibration button access hole (see *Figure 57*).

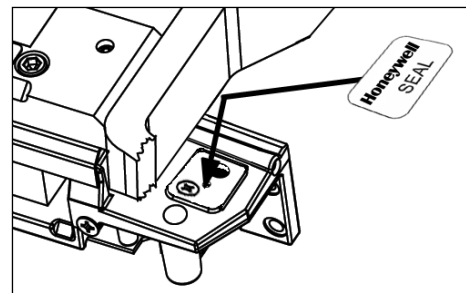


Figure 56.

3. With very light pressure, push down on the adhesive calibration security seal label to ensure a firm adhesion is created (see *Figure 58*).

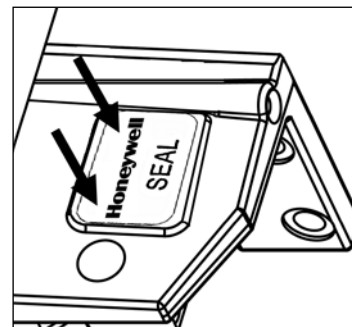


Figure 57.

4. Reinstall the platter.

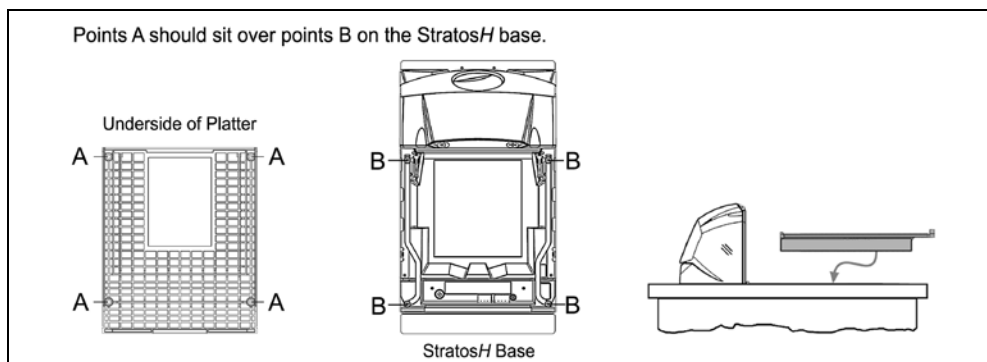


Figure 58. Platter Installation

* These procedures are for MS2320 StratosH Scanner/Diva Scale models only.

SECURITY SEAL INSTALLATION

Wire Security Seal (Seal Conversion Kit PN 46-00359)*

1. Temporarily remove the platter and place it in a safe location.
2. Install the calibration button sealing cover and through-hole sealing screw.
3. Tighten the screw and route the wire seal through the holes in the plate and screw.

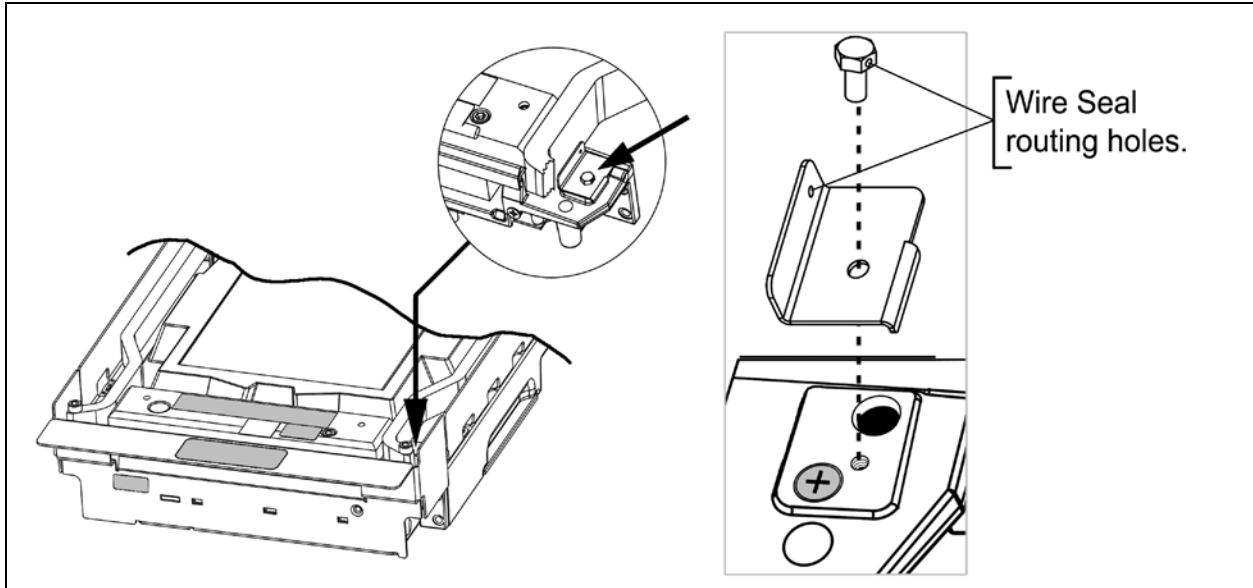


Figure 59. Calibration Switch/Button Wire Security Seal Assembly

4. Leaving the least amount of slack in the wire loop as possible, close the wire seal and verify the seal connection is secure.
5. Reinstall the platter.

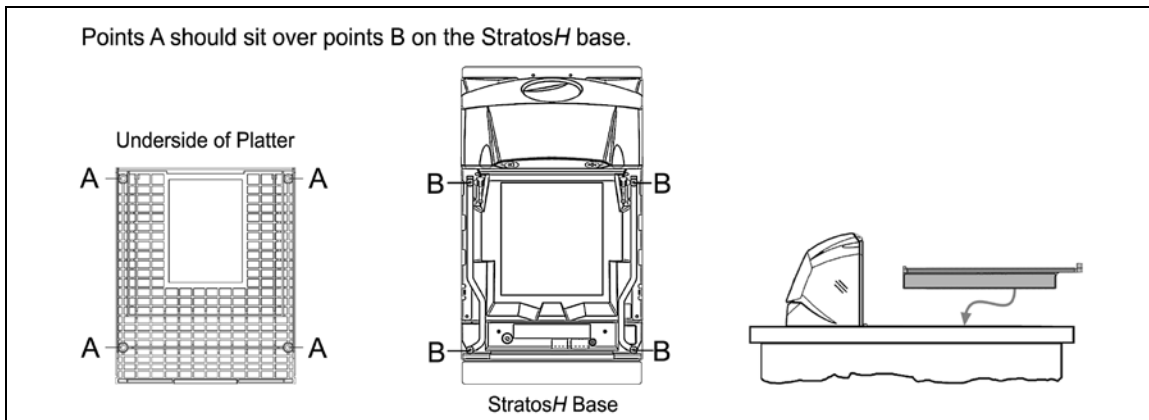


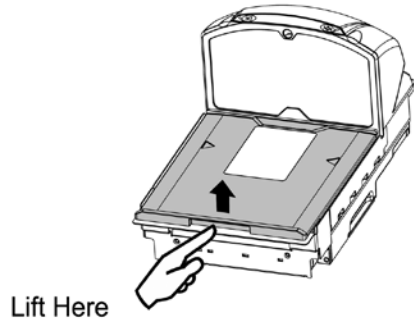
Figure 60. Platter Installation

* These procedures are for MS2320 StratosH Scanner/**Diva** Scale models only.

PLATTER / HORIZONTAL SCAN WINDOW REPLACEMENT

Platter/Horizontal Scan Window Removal

No hardware or tools are required to remove the platter / horizontal scan window. Lift the platter off the scanner base by using the finger recess located at the end of the platter farthest from the vertical window.



MS2320 StratosH Scanner/Diva Scale Model

Platter/Horizontal Scan Window Installation

When installing the platter, it is important to ensure the platter is positioned properly. Carefully align points A on the platter with points B on the MS2320 base unit. The platter should sit over the four bolts on the scale arms preventing it from sliding out of place.

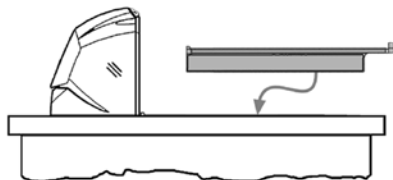
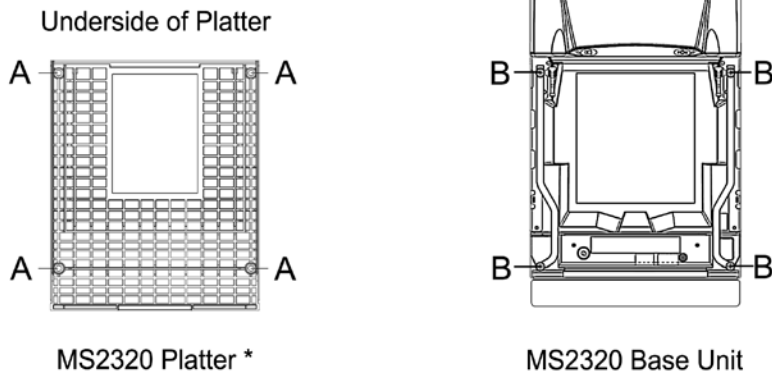


Figure 61. Platter/Horizontal Scan Window Replacement*

* See replacement parts on page 4.

MAINTENANCE

VERTICAL SCAN WINDOW REPLACEMENT (PN 46-46889)

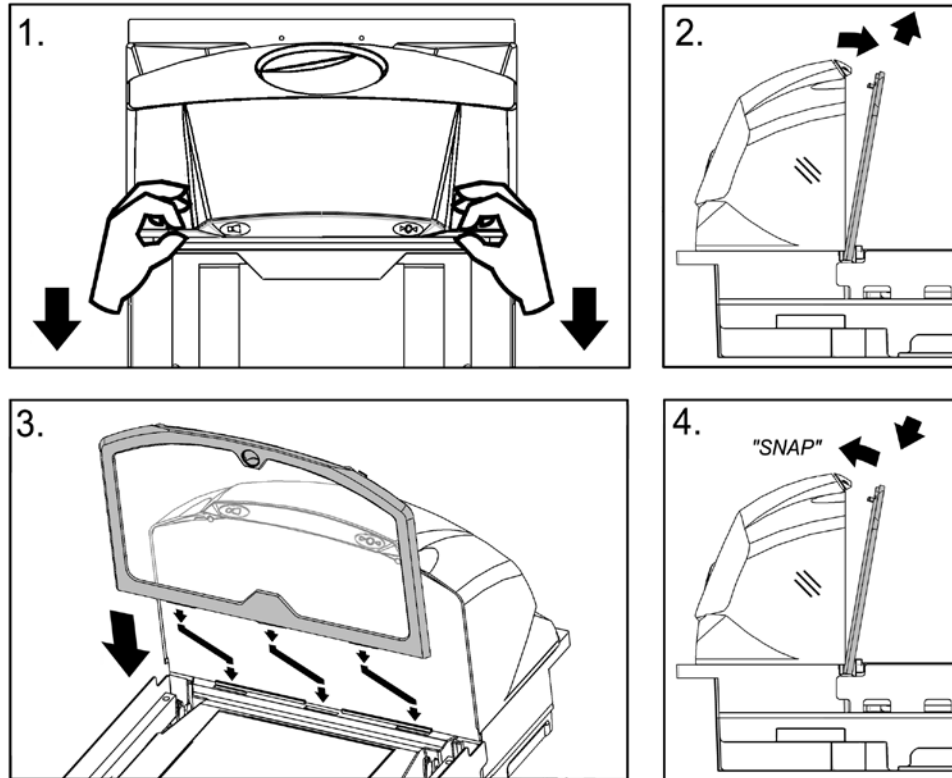


Figure 62. Vertical Scan Window Replacement

DAILY MAINTENANCE

Smudges and dirt can interfere with the proper scanning of a bar code. Therefore, the horizontal and vertical output windows will need occasional cleaning.

For the glass window:

1. Spray glass cleaner onto lint free, non-abrasive cleaning cloth.
2. Gently wipe the scanner window.

For the inner plastic window:

1. Use mild soap and water with lint free, non-abrasive cleaning cloth.
2. Gently wipe the scanner window.

Routinely check and clean the base unit to ensure that no debris is interfering with the platter movement.

TROUBLESHOOTING

The following guide is for reference purposes only. Contact a customer service representative to preserve the limited warranty terms.

| Symptom | Possible Cause(s) | Solution |
|-------------------------------------------------------------------------------------------------|-------------------------------------------------------------------------------------------------------------------------------------------------------|--------------------------------------------------------------------------------------------------------------------------------------------------------------------------------|
| All Interfaces | | |
| No LEDs, beep or motor spin. | No power is being supplied to the scanner. | Check the transformer, outlet and the power strip. Make sure the power cable is plugged into the scanner. |
| During power up the unit beeps 3 times. | A non-volatile RAM failure. | Contact a customer service representative, if the unit will not hold the configuration. |
| During power up the unit razzes continuously. | There has been a diagnostic failure. | Contact a customer service representative, if the unit will not function. |
| During power up the unit razzes once and the blue LED flashes. | A VLD failure. | Contact a customer service representative. |
| During power up the unit razzes twice and both LEDs flash. | Scanner motor failure. | Contact a customer service representative. |
| There are multiple scans upon presentation of code. | The <i>same symbol timeout</i> is set to short. | Adjust same symbol timeout for a longer time. |
| The unit powers up but does not beep. | The beeper is disabled. | Enable the beeper. |
| | No volume is selected. | Select a volume. |
| | No tone is selected. | Select a tone. |
| The unit powers up but does not scan and/or beep. | The unit is trying to scan a particular symbology that is not enabled. | UPC/EAN and Code 128 are enabled by default. Verify that the type of bar code being read has been selected. |
| | The unit has been configured for a character length lock or a minimum length and the bar code being scanned does not satisfy the configured criteria. | Verify that the bar code that is being scanned falls into the criteria. <i>Typical of Non-UPC/EAN codes. The scanner defaults to a minimum of 4 character bar code.</i> |
| The unit scans a bar code, but locks up after the first scan (<i>the white LED stays on</i>). | The scanner is configured to support some form of host handshaking but is not receiving the signal. | If the scanner is setup to support ACK/NAK, RTS/CTS, XON/XOFF or D/E, verify that the host cable and host are supporting the handshaking properly. |
| The unit scans but the data transmitted to the host is incorrect. | The scanner's data format does not match the host system requirements. | Verify that the scanner's data format matches that required by the host. Make sure that the scanner is connected to the proper host port. |

TROUBLESHOOTING

| Symptom | Possible Cause(s) | Solution |
|------------------------------------------------------------------------------------------------------------------------------------------------------------------------------------------------------|--------------------------------------------------------------------------------------|-----------------------------------------------------------------------------------------------------------------------------------------------------------------------|
| All Interfaces | | |
| Scanner beeps at some bar codes and NOT for others of the same bar code symbology. | Check the character length lock. | Check if it is a check digit, character or border problem. |
| | The aspect ratio of the bar code is out of tolerance. | |
| | The bar code may have been printed incorrectly. | |
| | The scanner is not configured correctly for this type of bar code. | Check if check digits are set properly. |
| | The minimum symbol length setting does not work with the bar code. | Check if the correct minimum symbol length is set. |
| RS232 Only | | |
| The unit powers up OK and scans OK but does not communicate properly to the host. | The com port at the host is not working or is not configured properly. | Check to make sure that the baud rate and parity of the scanner and the communication port match and the program is looking for RS232 data. |
| | The cable is not connected to the proper com port. | |
| | The com port is not operating properly. | |
| The host is receiving data but the data does not look correct. | The scanner and host may not be configured for the same interface. | Check that the scanner and the host are configured for the same interface. |
| Characters are being dropped. | The intercharacter delay needs to be added to the transmitted output. | Add some intercharacter delay to the transmitted output by using the MetroSelect Configuration Guide (PN 00-02407.x). |
| Aux Port Operation With Any Interface | | |
| The secondary scanner is not functioning. | | Refer to the user's guide provided with the secondary scanner. |
| The secondary scanner powers up but data is not relayed to the host. | The secondary scanner cable may not be connected to the proper port on the StratosH. | Ensure that the secondary scanner is connected to the StratosH's com port marked "Aux" port. |
| | The auxiliary com port may not be operating properly. | * The StratosH must be configured to enable the auxiliary port. The auxiliary input port's data format must match the main output format of the secondary scanner. |
| * Refer to the MS2x20 Stratos Series Scanner/Diva Scale Configuration Addendum (PN 00-02272.x) under Scanner Configuration Bar Codes: Auxiliary Port, Quick Start for a Secondary Honeywell Scanner. | | |

SCANNER AND CABLE TERMINATIONS

SCANNER PINOUT CONNECTIONS

The StratosH scanner terminates to 10-pin modular jacks located on the bottom of the unit. The serial number label indicates the model number and interface of the scanner. When using the RS232/Full Speed USB/RS485 (-121) interface, the USB and RS485 interfaces are not active at the same time.

| EAS In | |
|--------|----------|
| Pin | Function |
| 1 | EAS In |
| 2 | EAS Out |

| DC Power In | |
|-------------|----------|
| Pin | Function |
| 1 | 12VDC |
| 2 | Ground |
| 3 | 5.2VDC |

| Auxiliary RS232 In | |
|--------------------|-----------------------|
| Pin | Function |
| 1 | Ground |
| 2 | RS232 Receive Input |
| 3 | RS232 Transmit Output |
| 4 | RS232 RTS In |
| 5 | RS232 CTS Out |
| 6-8 | No Connect |
| 9 | +5V Out |
| 10 | No Connect |

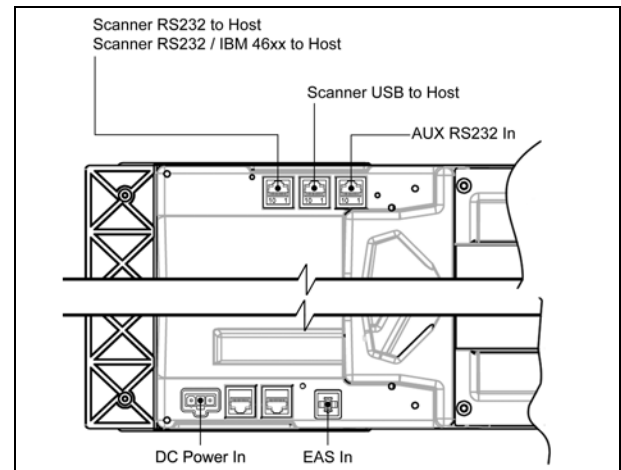


Figure 63. Connector Layout on the Bottom of the Scanner

| Scanner RS485 to Host | |
|-----------------------|------------------------------|
| Pin | Function |
| 1 | Signal Ground |
| 2 | RS232 TX Output |
| 3 | RS232 RX Input |
| 4 | Reserved for RS232 Interface |
| 5 | Reserved for RS232 Interface |
| 6 | Reserved for RS232 Interface |
| 7 | IBM B- |
| 8 | IBM B+ |
| 9 | No Connect |
| 10 | No Connect |

| Scanner RS232 to Host | |
|-----------------------|------------------------------|
| Pin | Function |
| 1 | Signal Ground |
| 2 | RS232 TX Output |
| 3 | RS232 RX Input |
| 4 | RS232 RTS Output |
| 5 | RS232 CTS Input |
| 6 | RS232 DTR Input |
| 7 | Reserved for RS485 Interface |
| 8 | Reserved for RS485 Interface |
| 9 | No Connect |
| 10 | No Connect |

| Scanner USB to Host | |
|---------------------|---------------|
| Pin | Function |
| 1 | Signal Ground |
| 2 | Reserved |
| 3 | Reserved |
| 4 | Reserved |
| 5 | Reserved |
| 6 | Data + |
| 7 | PC+5VDC |
| 8 | Data - |
| 9 | No Connect |
| 10 | Shield Ground |

Specifications are subject to change without notice.

SCANNER PINOUT CONNECTIONS

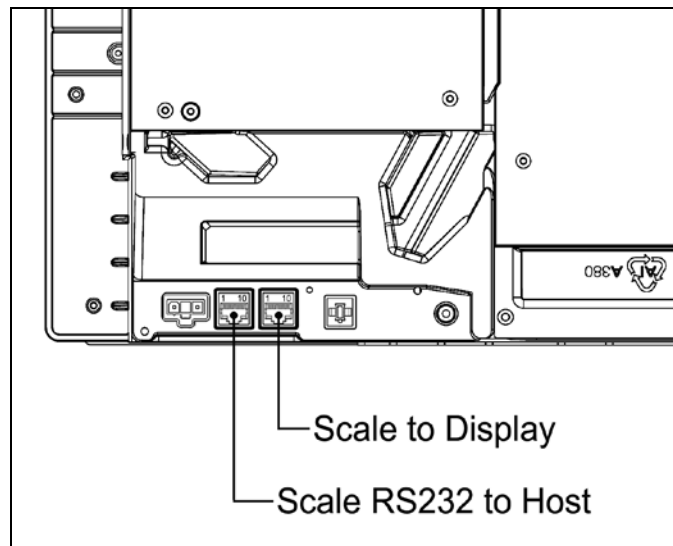


Figure 64. Scale Data (Dual Cable Applications) and Scale Display Connector Layout

| Scale RS232 to Host Scale Data, Dual Cable Applications | |
|------------------------------------------------------------|---------------------|
| Pin | Function** |
| 1 | Ground |
| 2 | Scale RS232 TX Out |
| 3 | Scale RS232 RX In |
| 4 | Scale RS232 RTS Out |
| 5 | Scale RS232 CTS In |
| 6 | No Connect |
| 7 | No Connect |
| 8 | No Connect |
| 9 | Reserved |
| 10 | Shield |

| Scale to Display | |
|------------------|------------|
| Pin | Function** |
| 1 | SIG1 |
| 2 | SIG2 |
| 3 | SIG3 |
| 4 | SIG4 |
| 5 | SIG5 |
| 6 | SIG6 |
| 7 | SIG7 |
| 8 | SIG8 |
| 9 | No Connect |
| 10 | No Connect |

** All signals referenced from the StratosH scanner.

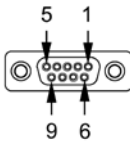
Specifications are subject to change without notice.

SCANNER AND CABLE TERMINATIONS

CABLE CONNECTOR CONFIGURATIONS

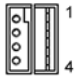
The following cables are examples of some of the standard cables that may be shipped with the StratosH scanner. Please keep in mind that every application is unique and the cables received with the StratosH may be custom cables that are not shown below.

| RS232 Interface Cable, PN 57-57000x-N-3 | |
|-----------------------------------------|-----------------|
| Pin | Function** |
| 1 | Shield Ground |
| 2 | RS232 TX Output |
| 3 | RS232 RX Input |
| 4 | DTR Input |
| 5 | Signal Ground |
| 6 | No Connect |
| 7 | CTS Input |
| 8 | RTS Output |
| 9 | No Connect |

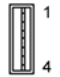


9-Pin D-Type Connector

| Full Speed USB Cable, PN 57-57200x-N-3 OR PN 57-57006x-N-3 | |
|---------------------------------------------------------------|---------------|
| Pin | Function** |
| 1 | PC+5V USB |
| 2 | Data - |
| 3 | Data + |
| 4 | Signal Ground |

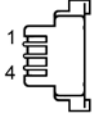


Locking, Type A
57-57200x-N-3



Non-Locking, Type A
57-57006x-N-3

| RS485 Cable, PN 57-57004x-N-3 | |
|-------------------------------|---------------|
| Pin | Function** |
| 1 | Signal Ground |
| 2 | IBM A+ |
| 3 | IBM B- |
| 4 | No Connect |



4-Pin SDL

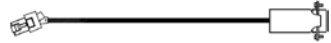
** All signals referenced from the StratosH scanner.

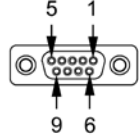
Specifications are subject to change without notice.

SCANNER AND CABLE TERMINATIONS

CABLE CONNECTOR CONFIGURATIONS

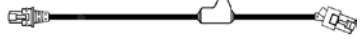
| Aux Port Configuration Cable*, PN 57-57008x-N-3 | |
|-------------------------------------------------|---------------------|
| Pin | Function** |
| 1 | No Connect |
| 2 | Output from Scanner |
| 3 | Input to Scanner |
| 4 | No Connect |
| 5 | Ground |
| 6-9 | No Connect |

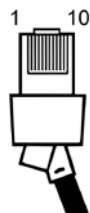




9-Pin D-Type Connector

| RS232 LSO/AUX Cable PN 57-57099x -3 or PN 57-57099x -3-12 | |
|--------------------------------------------------------------|------------------------------------|
| Pin | Function† |
| 1 | Signal Ground |
| 2 | RS232 from Aux / Secondary Scanner |
| 3 | RS232 to Aux / Secondary Scanner |
| 4 | RTS from Aux / Secondary Scanner |
| 5 | CTS to Aux / Secondary Scanner |
| 6-8 | No Connect |
| 9 | +5VDC – Transformer / Direct |
| 10 | Shield Ground |





10-Position Angled Modular Plug

* This configuration cable was designed to be used with the StratosH auxiliary connector only.

** All signals are referenced from the StratosH scanner.

† All signals are referenced from the auxiliary / secondary scanner.

Specifications are subject to change without notice.

SAFETY

ITE Equipment

IEC 60950-1 Second Edition
EN 60950-1 Second Edition

Laser

Laser Class 1: IEC 60825-1: Second Edition 2007
EN 60825-1: Second Edition 2007

LED

IEC 62471: Exempt Risk Group



⚠ Caution

Use of controls or adjustments or performance of procedures other than those specified herein may result in hazardous laser light exposure. Under no circumstances should the customer attempt to service the laser scanner. Never attempt to look at the laser beam, even if the scanner appears to be nonfunctional. Never open the scanner in an attempt to look into the device. Doing so could result in hazardous laser light exposure. The use of optical instruments with the laser equipment will increase eye hazard.

⚠ Atención

La modificación de los procedimientos, o la utilización de controles o ajustes distintos de los especificados aquí, pueden provocar una luz de láser peligrosa. Bajo ninguna circunstancia el usuario deberá realizar el mantenimiento del láser del escáner. Ni intentar mirar al haz del láser incluso cuando este no esté operativo. Tampoco deberá abrir el escáner para examinar el aparato. El hacerlo puede conllevar una exposición peligrosa a la luz de láser. El uso de instrumentos ópticos con el equipo láser puede incrementar el riesgo para la vista.

⚠ Attention

L'emploi de commandes, réglages ou procédés autres que ceux décrits ici peut entraîner de graves irradiations. Le client ne doit en aucun cas essayer d'entretenir lui-même le scanner ou le laser. Ne regardez jamais directement le rayon laser, même si vous croyez que le scanner est inactif. N'ouvrez jamais le scanner pour regarder dans l'appareil. Ce faisant, vous vous exposez à une rayonnement laser qui est dangereux. L'emploi d'appareils optiques avec cet équipement laser augmente le risque d'endommagement de la vision.

⚠ Achtung

Die Verwendung anderer als der hier beschriebenen Steuerungen, Einstellungen oder Verfahren kann eine gefährliche Laserstrahlung hervorrufen. Der Kunde sollte unter keinen Umständen versuchen, den Laser-Scanner selbst zu warten. Sehen Sie niemals in den Laserstrahl, selbst wenn Sie glauben, daß der Scanner nicht aktiv ist. Öffnen Sie niemals den Scanner, um in das Gerät hineinzusehen. Wenn Sie dies tun, können Sie sich einer gefährlichen Laserstrahlung aussetzen. Der Einsatz optischer Geräte mit dieser Laserausrüstung erhöht das Risiko einer Sehschädigung.

⚠ Attenzione

L'utilizzo di sistemi di controllo, di regolazioni o di procedimenti diversi da quelli descritti nel presente Manuale può provocare delle esposizioni a raggi laser rischiose. Il cliente non deve assolutamente tentare di riparare egli stesso lo scanner laser. Non guardate mai il raggio laser, anche se credete che lo scanner non sia attivo. Non aprite mai lo scanner per guardare dentro l'apparecchio. Facendolo potete esporvi ad una esposizione laser rischiosa. L'uso di apparecchi ottici, equipaggiati con raggi laser, aumenta il rischio di danni alla vista..

EMC

Emissions

FCC Part 15, ICES-003, CISPR 22, EN 55022

Immunity

CISPR 24, EN 55024

Note: Immunity performance is not guaranteed for scanner cables greater than 3 meters in length when fully extended.

Changes or modifications not expressly approved by the party responsible for compliance could void the user's authority to operate the equipment.

Class A Devices

**The following is applicable when the scanner cable is greater in length than 3 meters (9.8 feet) when fully extended:
Les instructions ci-dessous s'appliquent aux cables de scanner dépassant 3 mètres (9.8 pieds) de long en extension maximale:**

Folgendes trifft zu, wenn das Scannerkabel länger als 3 Meter ist:

This equipment has been tested and found to comply with limits for a Class A digital device, pursuant to part 15 of the FCC Rules. These limits are designed to provide reasonable protection against harmful interference when the equipment is operated in a commercial environment. This equipment generates, uses and can radiate radio frequency energy and, if not installed and used in accordance with the instruction manual, may cause harmful interference to radio communications. Operation of this equipment in a residential area is likely to cause harmful interference, in which case the user will be required to correct the interference at their own expense. Any unauthorized changes or modifications to this equipment could void the user's authority to operate this device.

This device complies with part 15 of the FCC Rules. Operation is subject to the following two conditions: (1) This device may not cause harmful interference, and (2) this device must accept any interference received, including interference that may cause undesired operation.

Notice

This Class A digital apparatus complies with Canadian ICES-003.

Remarque

Cet appareil numérique de classe A est conforme à la norme canadienne NMB-003.

Warning

This is a class A product. In a domestic environment this product may cause radio interference in which case the user may be required to take adequate measures.

Warnung!

Dies ist eine Einrichtung der Klasse A. Diese Einrichtung kann im Wohnbereich Funkstörungen verursachen. In diesem Fall kann vom Betreiber verlangt werden, angemessene Massnahmen durchzuführen.

Attenzione

Questo e' un prodotto di classe A. Se usato in vicinanza di residenze private potrebbe causare interferenze radio che potrebbero richiedere all'utilizzatore opportune misure.

Attention

Ce produit est de classe "A". Dans un environnement domestique, ce produit peut être la cause d'interférences radio. Dans ce cas l'utiliseteur peut être amené à prendre les mesures adéquates.

EMC

Changes or modifications not expressly approved by the party responsible for compliance could void the user's authority to operate the equipment.

Class B Devices

The following is applicable when the scanner cable is less than 3 meters (9.8 feet) in length when fully extended:

Les instructions ci-dessous s'appliquent aux câbles de scanner ne dépassant pas 3 mètres (9.8 pieds) de long en extension maximale:

Folgendes trifft zu, wenn das Scannerkabel kürzer als 3 Meter ist:

This device complies with Part 15 of the FCC Rules. Operation is subject to the following two conditions: (1) This device may not cause harmful interference, and (2) this device must accept any interference received, including interference that may cause undesired operation.

This equipment has been tested and found to comply with the limits for a Class B digital device, pursuant to Part 15 of the FCC rules. These limits are designed to provide reasonable protection against harmful interference in a residential installation. This equipment generates, uses and can radiate radio frequency energy and, if not installed and used in accordance with the instructions, may cause harmful interference to radio communications. However, there is no guarantee that interference will not occur in a particular installation. If this equipment does cause harmful interference to radio or television reception, which can be determined by turning the equipment off and on, the user is encouraged to try to correct the interference by one or more of the following measures:

- Reorient or relocate the receiving antenna
- Increase the separation between the equipment and receiver
- Connect the equipment into an outlet on a circuit different from that to which the receiver is connected
- Consult the dealer or an experienced radio/TV technician for help

Notice

This Class B digital apparatus complies with Canadian ICES-003.

Remarque

Cet appareil numérique de classe B est conforme à la norme canadienne NMB-003.

WEIGHTS & MEASURES

Directive 90/384/EEC, OIML R76, NIST Handbook 44 (NTEP CC#03-056)

LIMITED WARRANTY

Honeywell International Inc. ("HII") warrants its products and optional accessories to be free from defects in materials and workmanship and to conform to HII's published specifications applicable to the products purchased at the time of shipment. This warranty does not cover any HII product which is (i) improperly installed or used; (ii) damaged by accident or negligence, including failure to follow the proper maintenance, service, and cleaning schedule; or (iii) damaged as a result of (A) modification or alteration by the purchaser or other party, (B) excessive voltage or current supplied to or drawn from the interface connections, (C) static electricity or electro-static discharge, (D) operation under conditions beyond the specified operating parameters, or (E) repair or service of the product by anyone other than HII or its authorized representatives.

This warranty shall extend from the time of shipment for the duration published by HII for the product at the time of purchase ("Warranty Period"). Any defective product must be returned (at purchaser's expense) during the Warranty Period to HII factory or authorized service center for inspection. No product will be accepted by HII without a Return Materials Authorization, which may be obtained by contacting HII. In the event that the product is returned to HII or its authorized service center within the Warranty Period and HII determines to its satisfaction that the product is defective due to defects in materials or workmanship, HII, at its sole option, will either repair or replace the product without charge, except for return shipping to HII.

EXCEPT AS MAY BE OTHERWISE PROVIDED BY APPLICABLE LAW, THE FOREGOING WARRANTY IS IN LIEU OF ALL OTHER COVENANTS OR WARRANTIES, EITHER EXPRESSED OR IMPLIED, ORAL OR WRITTEN, INCLUDING, WITHOUT LIMITATION, ANY IMPLIED WARRANTIES OF MERCHANTABILITY OR FITNESS FOR A PARTICULAR PURPOSE, OR NON-INFRINGEMENT.

HII'S RESPONSIBILITY AND PURCHASER'S EXCLUSIVE REMEDY UNDER THIS WARRANTY IS LIMITED TO THE REPAIR OR REPLACEMENT OF THE DEFECTIVE PRODUCT WITH NEW OR REFURBISHED PARTS. IN NO EVENT SHALL HII BE LIABLE FOR INDIRECT, INCIDENTAL, OR CONSEQUENTIAL DAMAGES, AND, IN NO EVENT, SHALL ANY LIABILITY OF HII ARISING IN CONNECTION WITH ANY PRODUCT SOLD HEREUNDER (WHETHER SUCH LIABILITY ARISES FROM A CLAIM BASED ON CONTRACT, WARRANTY, TORT, OR OTHERWISE) EXCEED THE ACTUAL AMOUNT PAID TO HII FOR THE PRODUCT. THESE LIMITATIONS ON LIABILITY SHALL REMAIN IN FULL FORCE AND EFFECT EVEN WHEN HII MAY HAVE BEEN ADVISED OF THE POSSIBILITY OF SUCH INJURIES, LOSSES, OR DAMAGES. SOME STATES, PROVINCES, OR COUNTRIES DO NOT ALLOW THE EXCLUSION OR LIMITATIONS OF INCIDENTAL OR CONSEQUENTIAL DAMAGES, SO THE ABOVE LIMITATION OR EXCLUSION MAY NOT APPLY TO YOU.

All provisions of this Limited Warranty are separate and severable, which means that if any provision is held invalid and unenforceable, such determination shall not affect the validity of enforceability of the other provisions hereof. Use of any peripherals not provided by the manufacturer may result in damage not covered by this warranty. This includes but is not limited to: cables, power supplies, cradles, and docking stations. HII extends these warranties only to the first end-users of the products. These warranties are non-transferable.

The duration of the limited warranty for the MS2320 is three (3) year(s). The accessories have a 90 day limited warranty from the date of manufacture.

INDEX

A

AC..... *see power*
application 31
audible *see indicators*
AUX 7, 53, 54

B

beep *see indicators*
blue LED *see indicators*
button
 calibration 38, 40
 display 40
 multi-function..... 7, 34
 tone 7, 34
 volume..... 7, 34

C

cable..... 2, 10, 52, 53
 communication 2, 12, 16–22
 EAS..... 2, 25
 pinouts..... 54–57
 power 2
calibration 10, 40
 mode 40
 test 37–49
capacity 6
caution 4, 5, 9, 16–22, 58
checkout counter 10
class..... 60
compliance..... 6, 16–22, 39, 42, 58, 59
components 7
connector 54–57
connector panel 8
current 6, 29, 52
customer service..... 2
cutout..... 14–15

D

DC..... *see power*
depth of field 6, 26–27
diagnostic indicator..... 7
dimensions..... 8, 10
display 7, 12, 31–32, 40

E

EAS 7, 25, 54
EMC..... 59
EMI 59
emissions 59
error codes..... 31, 32

F

failure
 error codes 31–32

indicator 29
 modes 29, 30
flow 7
full service access mode 40
function 52, 54–57

G

ground 54–57

H

handles 5, 7
host 29, 30, 35, 52–53

I

immunity 59
indicators 6
 audible 29, 34, 35, 52–53
 diagnostic..... 31–32
 error codes..... 31–32
 failure 30, 31–32
 visual 7, 29, 30, 29–30, 35, 52, 53
interface 6, 9
 RS232 16–17, 54, 56
 RS485 54, 56
 USB..... 18–20, 54, 56
IR Activation..... 28

L

labels..... 9
laser 58
laser aperture 7
LED..... *see indicators*
light source 6

M

maintenance 31, 51
manual 2, 12, 29
modes 33
mounting 10, 14–15

N

notices 60

O

operation 60
output window 31, 51

P

platter 4, 5, 7, 10, 12, 38, 39, 40, 42, 47, 48
port 53
power..... 2, 6, 10, 16–22, 52, 54
power save 33, 34
protocols..... 35

INDEX

R

razzberry tone 29, 30
regulatory compliance 58–60
remote display 40, 47
repair 30, 31, 32

S

safety 58, 60
scale 6, 10
scan pattern 6
scan speed 6
scan zone 26–27
scanner
 pinouts 54–57
 seal 39, 42, 48
 secondary scanner 23, 24
 SELV 16–22
 specifications 6
 storage 6
 switch 25
 cover 39, 42, 48

T

test 35, 37–49
tone 7, 29, 34
transformer *see power*

U

unit of measure 46, 47

V

ventilation 6, 10
visual 30
voltage 2, 6, 16–22
volume 7, 34

W

warranty 52, 61
weight 6, 38, 46, 47
weights and measure 37–49, 60
white LED *see indicators*
window 4, 5, 7, 10, 51

Z

zero 7, 37, 40, 47

CUSTOMER SUPPORT

TECHNICAL ASSISTANCE

If you need assistance installing or troubleshooting your device, please contact us by using one of the methods below:

Knowledge Base: www.hsmknowledgebase.com

Our Knowledge Base provides thousands of immediate solutions. If the Knowledge Base cannot help, our Technical Support Portal (see below) provides an easy way to report your problem or ask your question.

Technical Support Portal: www.hsmsupportportal.com

The Technical Support Portal not only allows you to report your problem, but it also provides immediate solutions to your technical issues by searching our Knowledge Base. With the Portal, you can submit and track your questions online and send and receive attachments.

Web form: www.hsmcontactsupport.com

You can contact our technical support team directly by filling out our online support form. Enter your contact details and the description of the question/problem.

Telephone: www.honeywellaidc.com/locations

For our latest contact information, please check our website at the link above.

PRODUCT SERVICE AND REPAIR

Honeywell International Inc. provides service for all of its products through service centers throughout the world. To obtain warranty or non-warranty service, please visit www.honeywellaidc.com and select Support > Contact Service and Repair to see your region's instructions on how to obtain a Return Material Authorization number (RMA #). You should do this prior to returning the product.

Honeywell Scanning & Mobility

9680 Old Bailes Road

Fort Mill, SC 29707

www.honeywellaidc.com

