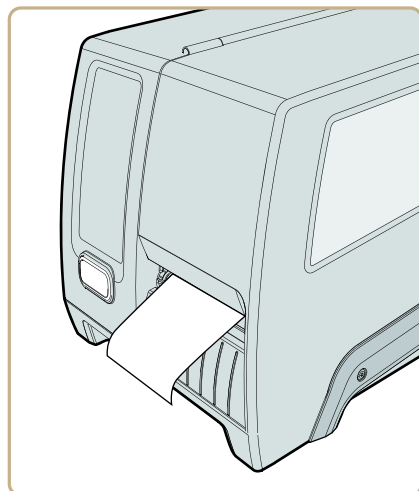
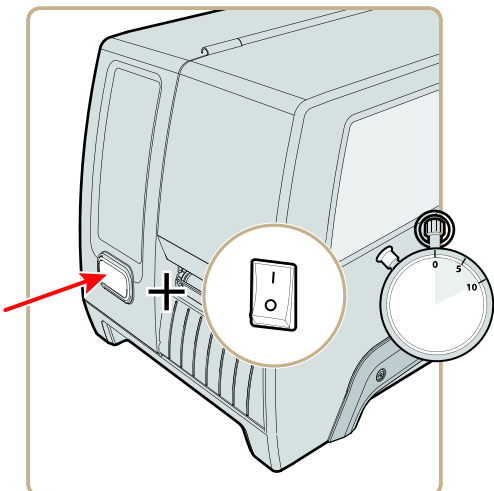


Print a Test Label  
打印测试页  
Impression d'une étiquette de test  
Drucken Sie eine Testetikett  
Stampa di un'etichetta di prova  
Impressão de uma etiqueta de teste  
İ̇ã÷àòù òãñòíáié ýòèèâðèè  
Impresión de una etiqueta de prueba



Where to Find More Information  
有关详细信息  
Où trouver d'autres détails  
Verweise zu weiteren Informationen  
Per ulteriori informazioni  
www.intermec.com  
In the U.S.A and Canada, call 1.800.755.5505

Onde obter mais informações  
Άãã ìãèòè äĩĩèìèòãèüíòþ èíòíðìàòèþ  
Dónde encontrar más información



Caution: See Compliance Insert for use restrictions associated with this product.  
警告: 有关本产品相关的使用限制, 请参阅“符合性插页”。  
Attention: Consultez la Déclaration de conformité pour les restrictions d'usage associées à ce produit.  
Vorsicht: Das Konformitätsblatt führt etwaige Verwendungseinschränkungen für dieses Produkt an.  
Attenzione: consultare l'inserto sulla conformità per informazioni sulle limitazioni d'uso di questo prodotto.  
Cuidado: Consulte as informações sobre as restrições de uso associadas a este produto no encarte sobre conformidade.  
İ̇nòðìãèíí: Ñì. ìãðãìè÷ãìéý, ñãýçãìíúã ñ èñĩëüçìããìèãì  
óñòðìéñòãã, ìã àèèããüøã ñ òðããìããìéýìè ñ ìããñìã÷ãìèþ  
ñĩìòããòñòãèý.  
Precaución: Consulte el Inserto de cumplimiento para ver las restricciones de uso asociadas con este producto.  
התראה: למידע על הגבלות הקשורות למוצר זה, עיין בעלון התאימות.

This product is protected by one or more patents. 本产品受到一项或多项专利保护。 Ce produit est protégé par un brevet ou plus. Dieses Produkt ist durch ein oder mehrere Patente geschützt. Questo prodotto è protetto da uno o più dei seguenti brevetti. Este producto está protegido por una ou mais patentes. Ýðìò ìðìãóéò çãùèùãí ìãìèì èèè ìãñéìèüèìèè ìãðãìòãìè. Este producto esta protegido por una o varias patentes.

Electrical rating. 额定电压及电流. Cote électrique. Stromversorgung. Specifiche elettriche. Especificações eléctricas. ìèðãìèã. Calificación eléctrica: v 100-240 V, 4A 50/60 Hz



Worldwide Headquarters  
6001 36th Avenue West  
Everett, Washington 98203  
U.S.A.

tel 425.348.2600  
fax 425.355.9551

www.intermec.com

© 2011 Intermec Technologies Corporation. All rights reserved.



PM43 and PM43c Mid-Range Printer Quick Start Guide

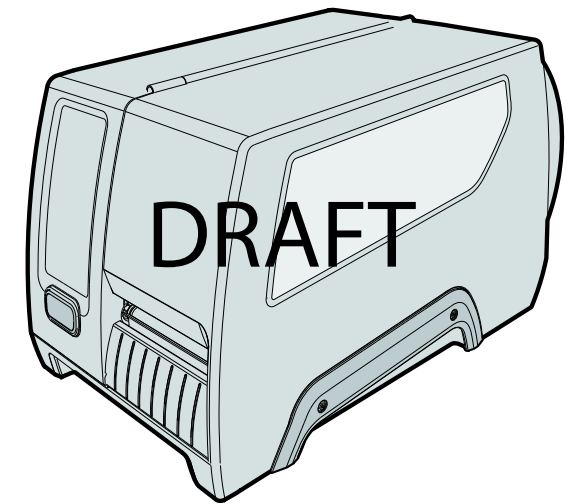
\*930-256-001\*

P/N 930-256-001



# PM43 | PM43c | PM23

## Mid-Range Printer



## Quick Start Guide

中型打印机快速入门指南

Guide de démarrage de l'imprimante milieu de gamme

Kurzanleitung für Drucker mit mittlerer Reichweite

Mid-Range Guida rapida della stampante

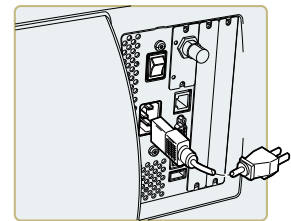
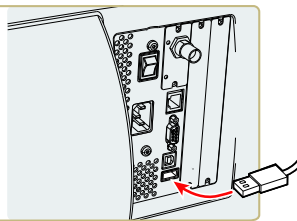
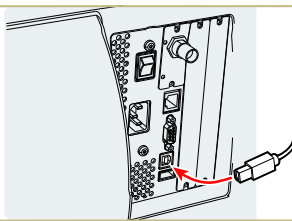
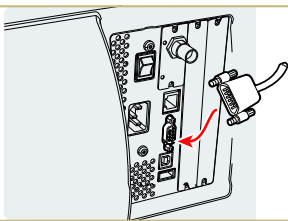
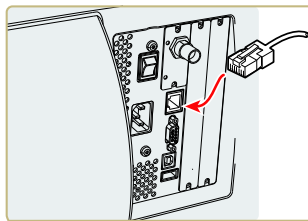
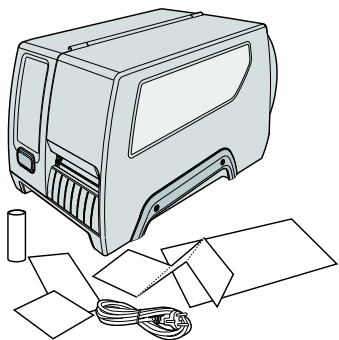
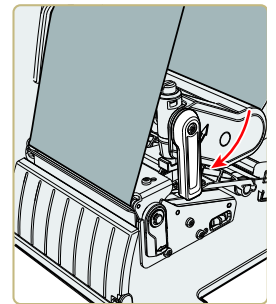
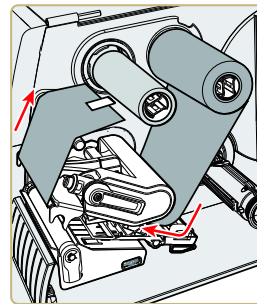
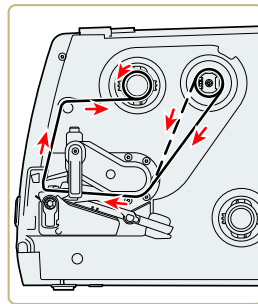
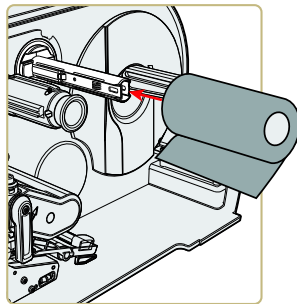
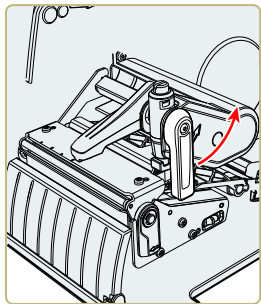
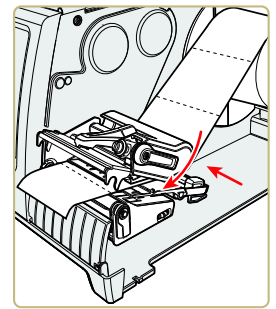
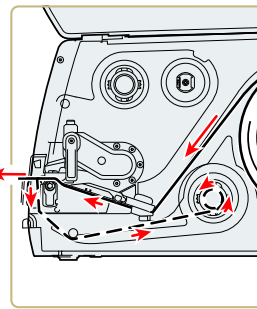
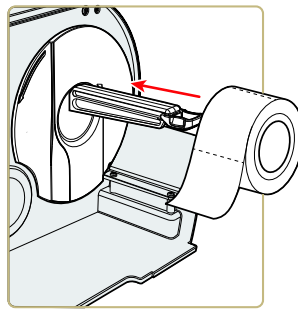
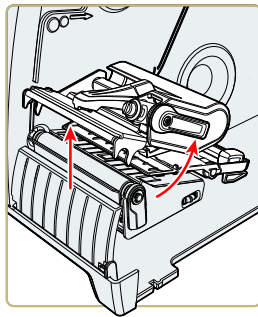
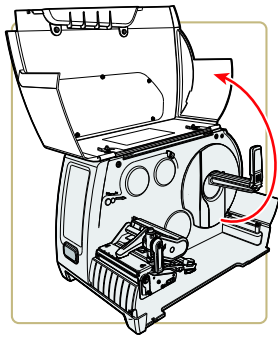
Guia de iniciação rápida da impressora de médio alcance

Èðãðèíã ðóéíãíãñòãí ñ ÿèñìèòãòãòèè ìðèìòãðã ñðããíãé

ìðìèçãìãèðãèüññòè

Guía de comienzo rápido para la impresora de rango medio

PM43  
PM43C  
PM23



# PM43 | PM43c | PM23 Physical Specifications

## Mid-Range Printer

### PM43c (With standard cover / short cover)

Dimensions: 181.00 x 252.20 x 431.80 mm (7.31 x 9.90 x 17.00 ")

Weight: 12.55 kg (27.66 lb)

### PM43c (mega top cover)

Dimensions: 244.87 x 252.50 x 500.22 mm (9.64 x 9.90 x 19.69 ")

Weight: 12.71 kg (28.02 lb)

### PM43

Dimensions: 294.61 x 284.20 x 483.54 mm (11.61 x 11.19 x 19.04 ")

Weight: 15.83 kg (34.89 lb)

### PM23

Dimensions: 181.00 x 210.00 x 431.80 mm (7.31 x 8.27 x 17.00 ") (estimated)

Weight: 11.00 kg (24.25 lb) (estimated)

### Power Specifications

Printer Voltage: 100-240 V, 4A, 50-60Hz

### Temperature and Humidity Specifications

Operating Temperature: 5°C to 40°C (41°F to 104°F)

Storage Temperature: -20°C to 70°C (-4°F to 158°F)

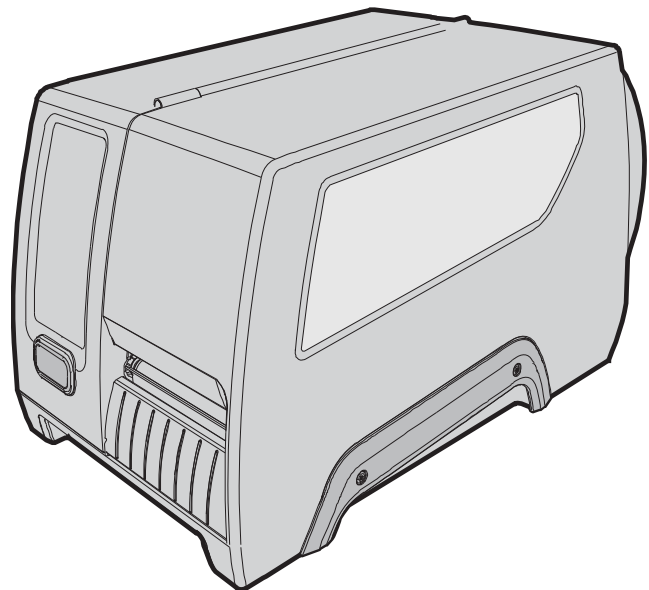
Relative Humidity: 20 to 80% non-condensing

### Communications and Connectivity

- Serial port (RS-232/RS-485/RS422) (optional)
- USB 2.0
- USB full speed host
- Ethernet, 100 Mbps
- 802.11b/g/n (RC12BGN) (optional)
- IPv6
- UHF RFID (INRD01u) (optional)
- Parallel port (IEEE 1284) (optional)

### Memory

- 128MB SDRAM (DDR2) • 128MB NAND Flash • USB mass storage (USB 2.0)



## **Federal Communication Commission Interference Statement**

This device complies with Part 15 of the FCC Rules. Operation is subject to the following two conditions: (1) This device may not cause harmful interference, and (2) this device must accept any interference received, including interference that may cause undesired operation.

This equipment has been tested and found to comply with the limits for a Class B digital device, pursuant to Part 15 of the FCC Rules. These limits are designed to provide reasonable protection against harmful interference in a residential installation. This equipment generates, uses and can radiate radio frequency energy and, if not installed and used in accordance with the instructions, may cause harmful interference to radio communications. However, there is no guarantee that interference will not occur in a particular installation. If this equipment does cause harmful interference to radio or television reception, which can be determined by turning the equipment off and on, the user is encouraged to try to correct the interference by one of the following measures:

- Reorient or relocate the receiving antenna.
- Increase the separation between the equipment and receiver.
- Connect the equipment into an outlet on a circuit different from that to which the receiver is connected.
- Consult the dealer or an experienced radio/TV technician for help.

FCC Caution: Any changes or modifications not expressly approved by the party responsible for compliance could void the user's authority to operate this equipment.

This transmitter must not be co-located or operating in conjunction with any other antenna or transmitter.

**Radiation Exposure Statement:**

This equipment complies with FCC radiation exposure limits set forth for an uncontrolled environment. This equipment should be installed and operated with minimum distance 20cm between the radiator & your body.

### **Industry Canada statement:**

This device complies with ISED's licence-exempt RSSs. Operation is subject to the following two conditions: (1) This device may not cause harmful interference, and (2) this device must accept any interference received, including interference that may cause undesired operation.

Le présent appareil est conforme aux CNR d'ISED applicables aux appareils radio exempts de licence. L'exploitation est autorisée aux deux conditions suivantes : (1) le dispositif ne doit pas produire de brouillage préjudiciable, et (2) ce dispositif doit accepter tout brouillage reçu, y compris un brouillage susceptible de provoquer un fonctionnement indésirable.

#### **Caution :**

- (i) the device for operation in the band 5150-5250 MHz is only for indoor use to reduce the potential for harmful interference to co-channel mobile satellite systems;
- (ii) the maximum antenna gain permitted for devices in the bands 5250-5350 MHz and 5470-5725 MHz shall be such that the equipment still complies with the e.i.r.p. limit;
- (iii) the maximum antenna gain permitted for devices in the band 5725-5850 MHz shall be such that the equipment still complies with the e.i.r.p. limits specified for point-to-point and non-point-to-point operation as appropriate; and
- (iv) the worst-case tilt angle(s) necessary to remain compliant with the e.i.r.p. elevation mask requirement set forth in Section 6.2.2(3) shall be clearly indicated.
- (v) Users should also be advised that high-power radars are allocated as primary users (i.e. priority users) of the bands 5250-5350 MHz and 5650-5850 MHz and that these radars could cause interference and/or damage to LE-LAN devices.

#### **Avertissement:**

Le guide d'utilisation des dispositifs pour réseaux locaux doit inclure des instructions précises sur les restrictions susmentionnées, notamment :

- (i) les dispositifs fonctionnant dans la bande 5150-5250 MHz sont réservés uniquement pour une utilisation à l'intérieur afin de réduire les risques de brouillage préjudiciable aux systèmes de satellites mobiles utilisant les mêmes canaux;

(ii) le gain maximal d'antenne permis pour les dispositifs utilisant les bandes de 5250 à 5350 MHz et de 5470 à 5725 MHz doit être conforme à la limite de la p.i.r.e.;

(iii) le gain maximal d'antenne permis (pour les dispositifs utilisant la bande de 5725 à 5850 MHz) doit être conforme à la limite de la p.i.r.e. spécifiée pour l'exploitation point à point et l'exploitation non point à point, selon le cas;

(iv) les pires angles d'inclinaison nécessaires pour rester conforme à l'exigence de la p.i.r.e. applicable au masque d'élévation, et énoncée à la section 6.2.2 3), doivent être clairement indiqués.

(v) De plus, les utilisateurs devraient aussi être avisés que les utilisateurs de radars de haute puissance sont désignés utilisateurs principaux (c.-à-d., qu'ils ont la priorité) pour les bandes 5250-5350 MHz et 5650-5850 MHz et que ces radars pourraient causer du brouillage et/ou des dommages aux dispositifs LAN-EL.

**Radiation Exposure Statement:**

This equipment complies with ISED radiation exposure limits set forth for an uncontrolled environment. This equipment should be installed and operated with minimum distance 20cm between the radiator & your body.

**Déclaration d'exposition aux radiations:**

Cet équipement est conforme aux limites d'exposition aux rayonnements ISED établies pour un environnement non contrôlé. Cet équipement doit être installé et utilisé avec un minimum de 20 cm de distance entre la source de rayonnement et votre corps.