

AlliedSignal Commercial Avionics Systems

Maintenance Manual

**RTA-83A
VHF Communications
System**

NOTE

IF ANY UNUSUAL OR SPECIAL SERVICE PROBLEMS ARISE,
CONTACT ALLIEDSIGNAL COMMERCIAL AVIONICS SYSTEMS
CUSTOMER SUPPORT DEPARTMENT.

PROPRIETARY NOTICE

*This document contains proprietary information
and such information may not be disclosed to
others for any purpose, nor used for manufac-
turing purposes without written permission
from AlliedSignal Inc.*

AlliedSignal Commercial Avionics Systems

MAINTENANCE MANUAL
RTA-83A VHF COMMUNICATIONS SYSTEM

LIST OF EFFECTIVE PAGES

<u>SUBJECT</u>	<u>PAGE</u>	<u>DATE</u>	<u>SUBJECT</u>	<u>PAGE</u>	<u>DATE</u>
Title Page	T-1	Jun/97		206	Jun/97
				207	Jun/97
Proprietary Notice	PN-1	No Date		208	Jun/97
				209	Jun/97
				210	Jun/97
Record of Revisions	RR-1	No Date		211	Jun/97
	RR-2	No Date		212	Jun/97
				213	Jun/97
List of Effective Pages	LEP-1	Jun/97		214	Jun/97
	LEP-2	Blank	F	215	Jun/97
			F	216	Blank
			F	217	Jun/97
			F	218	Blank
Table of Contents	TC-1	Jun/97			
	TC-2	Blank			
Introduction	INTRO-1	Jun/97			
Description and Operation	0	Jun/97			
	1	Jun/97			
	2	Jun/97			
	3	Jun/97			
	4	Jun/97			
	5	Jun/97			
	6	Jun/97			
	7	Jun/97			
	8	Jun/97			
	9	Jun/97			
	10	Jun/97			
	11	Jun/97			
	12	Jun/97			
	13	Jun/97			
	14	Blank			
Fault Isolation	101	Jun/97			
	102	Blank			
Maintenance Practices	201	Jun/97			
	202	Jun/97			
	203	Jun/97			
	204	Jun/97			
	205	Jun/97			

* INDICATES PAGES REVISED, ADDED OR DELETED IN LATEST REVISION
F INDICATES FOLDOUT PAGES - PRINT ONE SIDE ONLY



AlliedSignal Commercial Avionics Systems

MAINTENANCE MANUAL
RTA-83A VHF COMMUNICATIONS SYSTEM

TABLE OF CONTENTS

<u>Paragraph/Title</u>	<u>Page</u>
DESCRIPTION AND OPERATION	1
FAULT ISOLATION	101
MAINTENANCE PRACTICES	201



AlliedSignal Commercial Avionics Systems

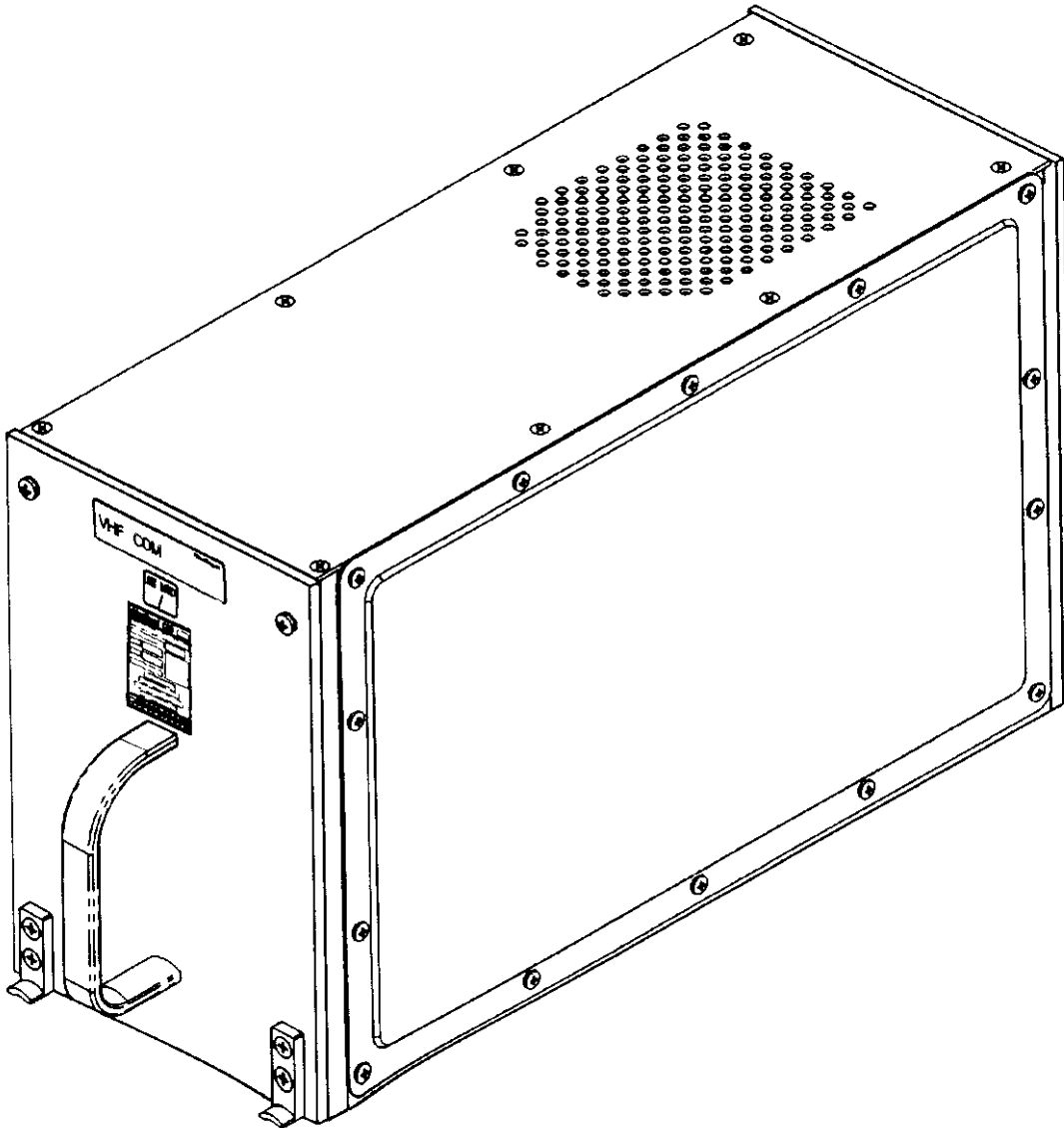
**MAINTENANCE MANUAL
RTA-83A VHF COMMUNICATIONS SYSTEM**

INTRODUCTION

This manual, I.B. 1183-1 (23-20-03), contains information covering description and operation, installation, and checkout procedures for the AlliedSignal Commercial Avionics Systems RTA-83A VHF Communications System.

AlliedSignal Commercial Avionics Systems

**MAINTENANCE MANUAL
RTA-83A VHF COMMUNICATIONS SYSTEM**



8065987
DD

RTA-83A VHF Communications Transceiver
Figure 1

AlliedSignal Commercial Avionics Systems

MAINTENANCE MANUAL RTA-83A VHF COMMUNICATIONS SYSTEM

DESCRIPTION AND OPERATION

1. General

This section contains descriptive information covering the RTA-83A VHF Communications System and lists other components required for system operation. The RTA-83A VHF Communications Transceiver is illustrated in figure 1.

A. Purpose of Equipment

The RTA-83A VHF Communications System consists of an airborne VHF communications transceiver designed to provide clear voice and data communications between on-board aircraft systems, to other aircraft systems, and to ground based systems. The system provides dependable operation in the European assigned 8.33-kHz spaced channels of the 118.000 to 136.992 MHz band and also in the 25-kHz spaced channels of the 118.000 to 136.975 MHz frequency band. The RTA-83A has two basic types of operation: standard double sideband am analog voice communications and MSK (minimum shift keying) data capability.

The RTA-83A VHF Communications Transceiver (shown in figure 1) conforms to industry standards: Aeronautical Radio Incorporated (ARINC) 566A *Mark 2 VHF Communications Transceiver*, Radio Technical Commission for Aeronautics (RTCA) documents number DO-186a *Minimum Operational Performance Standards (MOPS) for Airborne Radio Communications Equipment Operating within the Radio Frequency Range 117.975 - 137.000 Megahertz* and number DO-207 *MOPS for Devices that Prevent Blocked Channels Used in Two-Way Radio Communications Due to Unintentional Transmissions*, and European Organisation for Civil Aviation Equipment (EUROCAE) ED-23B *Minimum Performance Specification for Airborne VHF Communications Equipment Operating in the Frequency Range 117,975 - 137,000 MHz* and ED-67 *Minimum Operating Performance Specification for Devices that Prevent Unintentional or Continuous Transmissions*.

The RTA-83A is fully interchangeable with the earlier ARINC 566 RTA-43A VHF Communications Transceivers for backward compatibility.

In an Aircraft Communications Addressing and Reporting System (ACARS), the RTA-83A is a simple transceiver with an analog interface to the ACARS Management Unit (MU).

The RTA-83A VHF Communications System requires an antenna for its rf inputs and outputs, a control head or radio management panel, an audio input source and output sink for its analog voice functions, and an Aircraft Communications Addressing and Reporting System (ACARS) Management Unit (MU) or a Communications Management Unit (CMU) for its digital control and data functions.

AlliedSignal Commercial Avionics Systems

**MAINTENANCE MANUAL
RTA-83A VHF COMMUNICATIONS SYSTEM**

Depending upon the selected mode, the RTA-83A operates with the following equipment:

- an ARINC 597, 724, or 724 ACARS MU,
- an ARINC 566A voice audio input source and output sink,
- an ARINC 566A voice frequency control source,
- an antenna.

B. Equipment Part Numbers

Components of the RTA-83A VHF Communications System supplied by AlliedSignal Commercial Avionics Systems (CAS) are listed in figure 2. The figure lists the currently available components of the system, along with part numbers and equipment type numbers.

EQUIPMENT TYPE NUMBER	EQUIPMENT DESCRIPTION	PART NUMBER
RTA-83A VHF Communications Transceiver	Airborne VHF communications transceiver capable of receiving and transmitting VHF communications signals over a frequency range of 118.000 to 136.992 MHz with 8.33-kHz channel spacing or a frequency range of 118.000 to 136.975 with 25-kHz channel spacing. Complies to RTCA DO-207 "stuck mic" detection which selectably emits a 1-kHz interrupted-warning sidetone during last five seconds of 35-second transmission. Meets DO-160C HIRF and lightning protection requirements and 200-ms power interrupt transparency requirements. Meets ICAO Annex 10 FM interference immunity.	064-50001-0101

RTA-83A VHF Communications System Components (CAS Supplied)
Figure 2

AlliedSignal Commercial Avionics Systems

MAINTENANCE MANUAL RTA-83A VHF COMMUNICATIONS SYSTEM

C. Equipment Required but Not Supplied

Figure 3 lists equipment required for the RTA-83A system, but not supplied by AlliedSignal Commercial Avionics Systems.

EQUIPMENT	DESCRIPTION
Power Source	DC power supply of 27.5 volts, 1.0 ampere nominal during reception and 8.0 amperes maximum during transmission.
Audio Distribution System	Audio system with an input impedance of 200 to 10,000 ohms.
ARINC Characteristic 566A Control Panel	Provides remote control of frequency selection for 8.33-kHz or 25-kHz channel spacing system operation (ARINC Mark 2, two-out-of-five per ARINC 566A-7 or ARINC 429), power, on/off, volume, and squelch control.
MU/CMU	Provides control and data source/sink when operating in the MSK data mode.
Mount	Provides a means of mounting RTA-83A VHF Communications Transceiver in the aircraft.
VHF Antenna	Capable of receiving and transmitting VHF signals over a frequency range of 118.000 MHz through 136.992 MHz.
Cables and Connectors	Necessary connectors and cables as shown in RTA-83A VHF Communications System Interwiring Diagram, figure 204.

Equipment Required but Not Supplied
Figure 3

AlliedSignal Commercial Avionics Systems

MAINTENANCE MANUAL
RTA-83A VHF COMMUNICATIONS SYSTEM

D. Related Publications

Figure 4 lists the publications covering the RTA-83A VHF Communications System.

PUBLICATION	CAS IDENTIFICATION NUMBER	ATA IDENTIFICATION NUMBER
RTA-83A VHF Communications Transceiver Component Maintenance Manual	I.B. 1183F	23-20-39

Related Publications
Figure 4

2. Configurations Available

Figure 5 lists the available configurations of the RTA-83A and the features contained in each configuration. Figure 6 contains a brief description of each feature.

CAS PART NUMBER 064-50001	FEATURES		
	BASIC UNIT	STUCK MIKE ALARM	ACARS COMPATIBLE
-0101	X	X	X

RTA-83A VHF Communications Transceiver, Configurations Available
Figure 5

AlliedSignal Commercial Avionics Systems

**MAINTENANCE MANUAL
RTA-83A VHF COMMUNICATIONS SYSTEM**

FEATURE	DESCRIPTION
Basic Unit	Airborne solid-state RTA-83A is capable of receiving and transmitting ARINC 566A voice and data over a frequency range of 118.000 to 136.992 MHz with 8.33-kHz channel spacing or a frequency range of 118.000 to 136.975 with 25-kHz channel spacing. The basic unit has stuck-mike alarm and is compatible with ACARS.
Stuck Microphone Alarm	After the RTA-83A detects that the microphone is in the transmit (keyed) position for a time duration longer than 30 seconds, a rear-connector selectable 1 kHz interrupted tone (½ second on, ½ second off) is emitted for five seconds via the audio/sidetone output. After a total of 35 seconds, the RTA-83A turns off the transmitter and the 1 kHz interrupted sidetone. To reactivate the transmitter, the microphone push-to-talk button must be released and then rekeyed. This feature can be disabled via program pins on the rear connector.
ACARS Compatible	The RTA-83A ensures proper processing of the Aircraft Communications Addressing and Reporting System (ACARS) messages.

RTA-83A VHF Communications Transceiver Features
Figure 6

3. System Leading Particulars

A. Unit Specifications

Figure 7 lists the leading particulars for the RTA-83A VHF Communications System.

CHARACTERISTICS	DESCRIPTION
General	
Power Requirements	27.5 Vdc nominal (+10%, -20%) 1.0 ampere - Receive 5.5 ampere - Transmit
Weight	4,5 kg (9.9 lbs)
Dimensions	Refer to outline drawing, figure 203
Form Factor	½ ATR Short per ARINC Characteristic 404
Cooling	Forced air per ARINC Characteristics 403/404
Temperature	
Operating	-55°C to +70°C (-67°F to +158°F)
Storage	-65°C to +85°C (-85°F to +185°F)
Frequency Range and Channel Spacing	118.000 MHz to 136.992 MHz with 8.33 kHz channel spacing or 118.000 MHz to 136.975 MHz with 25 kHz channel spacing
Frequency Selection	Mark 2 2-out-of-5 per ARINC 566A-7, or Serial Digital per ARINC 429
Certification	TSO C37d Class 3 and 5 and C38d Class C and E; DO-160C Categories /A2D2/ZCA/MNB/XXXXXXXXAAZZUZ/XXE2/XX DO-186a, DO-207, and EUROCAE ED-23B, ED-67
Transmitter	
Output Power	25 watts (nominal)
Frequency Stability	±0.0005%
Modulation Level	90% modulation at 1000 Hz will be provided by not more than 100 mVrms at the microphone input

Leading Particulars
Figure 7 (Sheet 1 of 3)

AlliedSignal Commercial Avionics Systems

MAINTENANCE MANUAL
RTA-83A VHF COMMUNICATIONS SYSTEM

CHARACTERISTICS	DESCRIPTION
Transmitter (cont)	
Audio Distortion	15% maximum at 90% modulation (1000 Hz); sidetone 7% maximum
Frequency Response	Within 6 dB from 300 to 2500 Hz
Spurious Radiation	Minimum of 110 dB from carrier level
Harmonic Radiation	Minimum of 60 dB from carrier level
Receiver	
Sensitivity	6 dB S+N/N for 2 μ V (hard) signal modulated 30% by 1000 Hz
Frequency Stability	\pm 0.0005%
Selectivity	
8.33 kHz	\pm 2.78 kHz at 6 dB; \pm 7.365 kHz at 60 dB
25 kHz	\pm 8 kHz at 6 dB; 17 kHz at 60 dB
Cross Modulation	Meets requirements of ARINC Characteristic 566A, Section 3.7
Intermodulation	Meets ICAO Annex 10, RTCA DO-186, and EUROCAE ED-23B
AGC	Audio output will vary not more than 3 dB with inputs 5 μ V to 200 μ V and not more than 6 dB to 500 μ V
Audio Output	50 milliwatts minimum into a 200 ohm to 600 ohm resistive load for 30% modulation at 1000 Hz
Audio Distortion	With 1000 μ V input signal modulated 30% at 1000 Hz, total harmonic distortion will not exceed 5%
Audio Frequency Response	Within 6 dB from 300 Hz to 2500 Hz
Audio Output Regulation	Less than 0.8 dB voltage change from a 10 mW reference level into 600 ohms for resistive load variations of 200 ohms to 10,000 ohms
<p>NOTE: This specification reflects performance with a 20 ohm source impedance over ARINC Characteristic 566A load variations.</p>	

Leading Particulars
Figure 7 (Sheet 2)

AlliedSignal Commercial Avionics Systems

MAINTENANCE MANUAL
RTA-83A VHF COMMUNICATIONS SYSTEM

CHARACTERISTICS	DESCRIPTION
Receiver (cont)	
Spurious Rejection	90 dB minimum
Image Rejection	80 dB minimum
SELCAL/Data Output	0.5 Vac into 600 ($\pm 20\%$) ohm load for 30% modulation at 1000 Hz
SELCAL/Data Response	Less than 3 dB output variation from the frequency range of 312 Hz to 1200 Hz and less than 6 dB from 300 Hz to 6600 Hz
SELCAL/Data Distortion	Less than 5% for a 1000 μV input modulated 30% at 1000 Hz producing 0.5 Vrms into 600 ohms
Phase Shift	There is no phase inversion through the receiver.
AGC Attack/Delay Time	Less than 50 milliseconds

Leading Particulars
Figure 7 (Sheet 3)

AlliedSignal Commercial Avionics Systems

MAINTENANCE MANUAL
RTA-83A VHF COMMUNICATIONS SYSTEM

B. Environmental Certification

The RTA-83A VHF Communications Transceiver meets the environmental conditions of the Radio Technical Commission for Aeronautics (RTCA) document number DO-160C, "Environmental Conditions and Test Procedures for Airline Electronic/Electrical Equipment and Instruments." The environmental certification categories of the RTA-83A are /A2D2/ZCA/MNB/XXXXXXAAZZUZ/XXE2/XX (See figure 8).

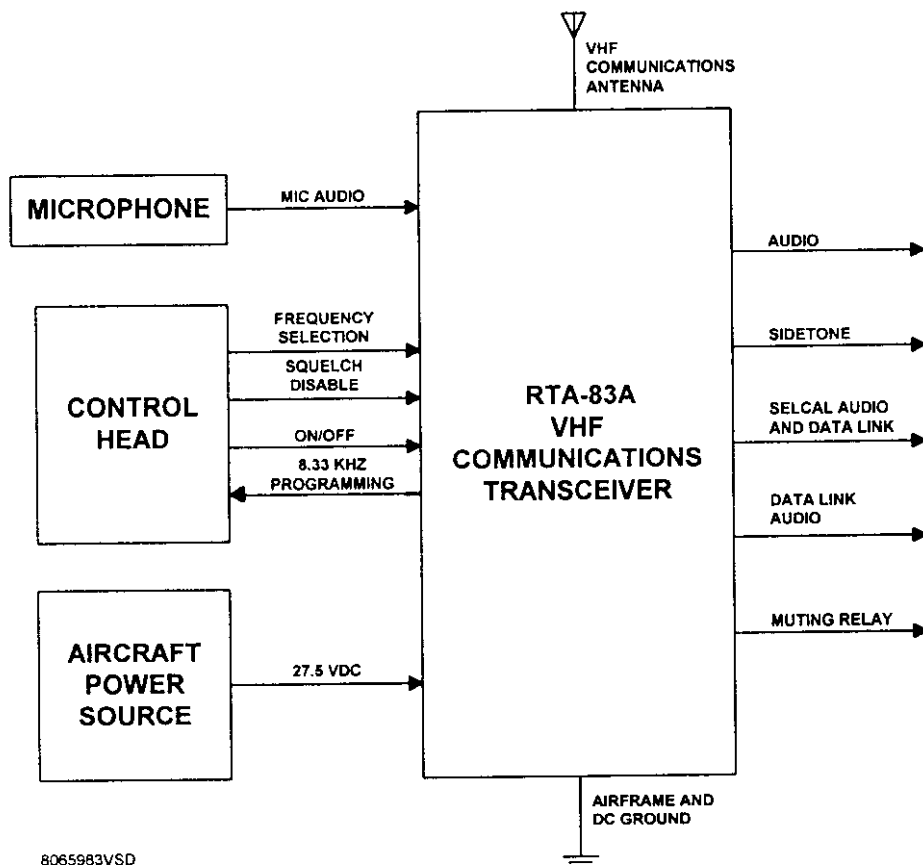
TEST	CATEGORY
Temperature and Altitude	A2D2
In-Flight Loss of Cooling	Z
Temperature Variation	C
Humidity	A
Operational Shocks and Crash Safety	Meets Specification
Vibration	MNB
Explosion Proofness	X
Waterproofness	X
Fluids Susceptibility	X
Sand and Dust	X
Fungus Resistance	X
Salt Spray	X
Magnetic Effect	A
Power Input	A
Voltage Spike	A
Audio Frequency Conducted Susceptibility - Power Inputs	Z
Induced Signal Susceptibility	Z
Radio Frequency Susceptibility (Radiated and Conducted)	U
Emission of Radio Frequency Energy	Z
Lightning Induced Transient Susceptibility	XXE2
Lightning Direct Effects	X
Icing	X

Environmental Certification Categories of RTA-83A
Figure 8

MAINTENANCE MANUAL
RTA-83A VHF COMMUNICATIONS SYSTEM

4. System Description

The RTA-83A VHF Communications System is an airborne VHF communications system designed to provide dependable, clear voice and data communication between on-board aircraft systems to other aircraft systems and to ground-based systems in the assigned 8.33-kHz spaced channels of the 118.000 MHz to 136.992 MHz band and 25-kHz spaced channels of the 118.000 MHz to 136.975 MHz band. Figure 9 is a simplified system block diagram.



RTA-83A VHF Communications System Block Diagram
Figure 9

AlliedSignal Commercial Avionics Systems

MAINTENANCE MANUAL RTA-83A VHF COMMUNICATIONS SYSTEM

5. System Component Description

A. RTA-83A VHF Communications Transceiver

The RTA-83A VHF Communications Transceiver is a lightweight VHF transmitter-receiver that provides a-m operation in the 8.33-kHz or 25-kHz spaced channels of the 118.000 MHz to 136.992 MHz or 118.000 MHz to 1367.975 MHz frequency band, respectively. Frequency selection is entirely electronic; a two-out-of-five selection system (described in ARINC Characteristic 566A-7) or a serial digital frequency selection system per ARINC Characteristic 429 is used to control the operation of the RTA-83A.

The RTA-83A is completely solid-state and is housed in an ½ ATR short case per ARINC Characteristic 404. A handle is located on the front panel of the RTA-83A to facilitate installation, removal, and transport.

The RTA-83A operates in all aircraft cooling environments; however, optimum reliability is obtained when cooling with forced air in accordance with ARINC Characteristic 404.

An ITT/Cannon connector, type DPX2NA67318-26, is mounted at the rear of the unit to provide the interface between the transceiver and the system interconnect. Refer to figure 204 for the pertinent details.

The RTA-83A is partitioned into four subassemblies: transceiver assembly, analog/digital module, power supply, and rear interconnect module (refer to figure 10).

B. Other Components in the System

Other RTA-83A system components are not supplied by AlliedSignal Commercial Avionics Systems. Information on these units must be obtained from their respective manufacturers.

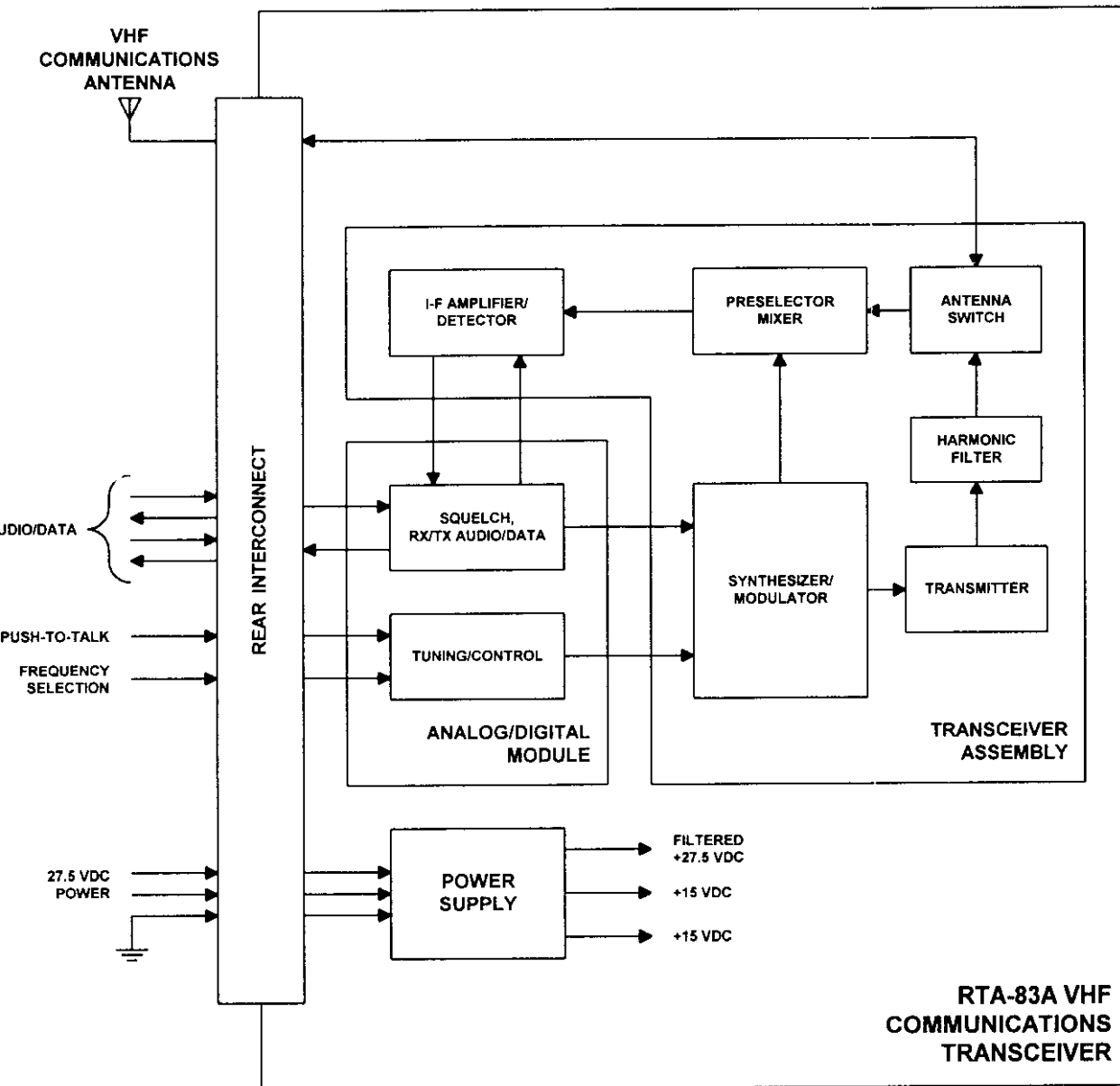
6. Operation

A. General

The RTA-83A VHF Communications Transceiver provides dependable two-way air to ground VHF communications in the assigned 8.33-kHz or 25-kHz spaced channels of the 118.000 to 136.992 MHz or 118.000 to 136.975 MHz frequency band, respectively.

Operation of the RTA-83A VHF Communications Transceiver is controlled by a control unit which provides manual on/off control of the system power, squelch threshold, and operating frequency.

MAINTENANCE MANUAL
RTA-83A VHF COMMUNICATIONS SYSTEM



8065984VSD

RTA-83A VHF Communications Transceiver, Simplified Block Diagram
Figure 10

AlliedSignal Commercial Avionics Systems

MAINTENANCE MANUAL RTA-83A VHF COMMUNICATIONS SYSTEM

B. Basic Theory

(1) Transceiver Assembly

The transceiver assembly consists of an rf module assembly configured as a standard double sideband amplitude modulated (am) analog voice transceiver. When receiving, the RTA-83A rf module amplifies and converts the rf signals received by the antenna into analog signals for processing by the analog/digital module. Conversely, when transmitting, the rf module modulates the analog signals provided by the analog/digital module into rf signals for transmission through the antenna.

(2) Analog/Digital Module

The detected output (received analog signals) from the rf module is received by the analog section of the analog/digital module where squelch and all audio processing and amplifying is performed. The processed signals (data, voice, and sidetone outputs) are fed through the rear interconnect module to the aircraft audio circuits.

In the transmit mode, the microphone or data input is processed by the analog/digital module and fed to the rf module where the microphone or data input is modulated, amplified, and filtered before being transmitted from the antenna.

The digital section of the analog/digital module checks tuning information for validity, and converts it to the proper format to tune the rf module synthesizers. The voice/data, receive/transmit, and other discrettes are also processed by the digital section of the analog/digital module.

(3) Power Supply Module

The 27.5 volts dc aircraft power is converted by the power supply module into the dc operating voltages required by the various modules within the RTA-83A.

(4) Rear Interconnect Assembly

To prevent High Intensity Radiation Fields (HIRF) or lightning from affecting operation by entering via rear connector cables, a HIRF compartment is formed in the rear of the RTA-83A. The signal and power cables are filtered by using discrete and distributed filter elements and limiting devices on the rear interconnect module located inside this HIRF compartment. The filtered lines are then fed to the appropriate points in the RTA-83A.



AlliedSignal Commercial Avionics Systems

**MAINTENANCE MANUAL
RTA-83A VHF COMMUNICATIONS SYSTEM**

FAULT ISOLATION

General

Fault isolation is the process of isolating the source of a system failure to an LRU (line replaceable unit) or to the aircraft wiring.

Fault isolation in the RTA-83A VHF Communications System includes a continuity check of the interwiring and the assurance that proper installation techniques and procedures have been followed.

A complete functional test of the system can be performed as described in paragraph 7.B. in the "Maintenance Practices" section 200 of this manual. System performance can also be determined by communications with ground facilities when available. If necessary, replace the RTA-83A VHF Communications Transceiver with a known good unit.



AlliedSignal Commercial Avionics Systems

MAINTENANCE MANUAL RTA-83A VHF COMMUNICATIONS SYSTEM

MAINTENANCE PRACTICES

1. General

This section of the manual provides service personnel with installation and maintenance information for the RTA-83A VHF Communications System. Installation instructions are supported by mechanical outline drawings and an electrical interconnection diagram. These drawings, located at the back of this section, should be reviewed by the installer, and requirements peculiar to the airframe should be established before starting the installation.

2. Inspection After Unpacking

CAUTION: THIS EQUIPMENT CONTAINS ELECTROSTATIC DISCHARGE SENSITIVE (ESDS) DEVICES. EQUIPMENT, MODULES, AND ESDS DEVICES MUST BE HANDLED WITH APPROPRIATE PRECAUTIONS.

Visually inspect the RTA-83A VHF Communications System and all associated equipments for possible damage which may have occurred during shipment. Inspect for dents, deep abrasions, chipped paint, etc. If any equipment is damaged, notify the transportation carrier immediately.

An AlliedSignal Commercial Avionics Systems (CAS) test and inspection record and quality report tag is included with each shipped unit. This ensures the customer that the necessary production tests and inspection operations have been performed on that particular unit.

One copy of the report tag is affixed to each unit by the first assembly inspector. As the unit proceeds through production and stock to the shipping area, the appropriate blocks on the test and inspection record of the tag are stamped. This tag accompanies the unit when it is shipped to the customer. Customers are requested to complete the quality report portion of the tag and return it to the AlliedSignal Commercial Avionics Systems (CAS), Quality Assurance Department, Fort Lauderdale, Florida. This portion of the tag provides the necessary information required to evaluate shipping methods as well as test and inspection effectiveness.

Completed cards are accumulated to provide information for a periodic analysis.

AlliedSignal Commercial Avionics Systems

MAINTENANCE MANUAL RTA-83A VHF COMMUNICATIONS SYSTEM

3. Preinstallation Testing

The components in the RTA-83A VHF Communications System have been adjusted and tested prior to shipment. Therefore, preinstallation testing is not required. However, if preinstallation testing of the units is desired, refer to the customer acceptance criteria given in the Component Maintenance Manual for the appropriate unit in the system. Refer to figure 4 in the "Description and Operation" section of this manual for a list of related Component Maintenance Manuals.

4. Equipment Changes and Marking

AlliedSignal Commercial Avionics Systems uses a standardized marking system to identify equipment and their subassemblies which have had changes incorporated. Refer to the front of the appropriate Component Maintenance Manual for a list of Service Bulletins affecting the unit.

5. Interchangeability

The RTA-83A VHF Communications System will operate in any installation that complies with ARINC characteristic 566A. Refer to system interwiring diagram figure 204 for particulars.

Note: Contact Original Equipment Manufacturer (OEM) for certification status.

6. Installation

A. General

The RTA-83A VHF Communications System should be installed in the aircraft in a manner consistent with acceptable workmanship and engineering practices, and in accordance with the instructions set forth in this publication. To ensure that the system has been properly and safely installed in the aircraft, the installer should make a thorough visual inspection and conduct an overall operational and functional check of the system on the ground prior to flight.

CAUTION: AFTER INSTALLATION OF THE CABLING AND BEFORE INSTALLATION OF THE EQUIPMENT, A CHECK SHOULD BE MADE WITH AIRCRAFT PRIMARY POWER BEING SUPPLIED TO THE MOUNT CONNECTORS TO ENSURE THAT POWER IS APPLIED ONLY TO THE PINS SPECIFIED IN INTERWIRING DIAGRAM FIGURE 204.

B. Location of Equipment

Location of the RTA-83A VHF Communications System in the aircraft is not critical, as long as the environment is compatible with the equipment design. Refer to the Leading Particulars, figure 7, in the "Description and Operation" section of this manual. Forced air cooling is required for cooling the RTA-83A VHF Communications

AlliedSignal Commercial Avionics Systems

MAINTENANCE MANUAL RTA-83A VHF COMMUNICATIONS SYSTEM

Transceiver in accordance with ARINC Characteristic 404A. The associated cooling equipment must be mounted in accordance with the manufacturer's instructions.

The RTA-83A can use the existing MTA-43A Mount or any other equivalent mounting tray that is compatible for securing a unit meeting the ½ ATR short form factor per ARINC Characteristic 404.

Antenna mounting should be in accordance with the manufacturer's instructions for the antenna being used. The coaxial cable connecting the antenna to the mount should be as short and direct as possible and any required bends should be gradual. When two or more RTA-83A VHF Communications Systems are installed in an aircraft, it is necessary to provide adequate space isolation between antennas of each system to ensure that the use of one unit does not interfere with reception from another system. A minimum of 35 dB of space isolation should be provided, and any steps which can be taken to provide further isolation should be considered.

Control unit location and mounting can be determined by mutual agreement between the user and airframe manufacturer.

C. Interwiring and Cable Fabrication

(1) General

Figure 204 is a complete interwiring diagram for a single RTA-83A VHF Communications System and associated components. This diagram requires thorough study before the installer begins installation of the aircraft wiring.

When two systems are being installed in the aircraft, the interconnecting wiring shown in figure 204, as well as all other installation instructions must be duplicated.

Cabling must be fabricated by the installer in accordance with figure 204. Wires connected to parallel pins should be approximately the same length, so that the best distribution of current can be effected. AlliedSignal Commercial Avionics System recommends that all wires, including spares, shown on interwiring diagram figure 204 be included in the fabricated harness. However, if full ARINC wiring is not desired, the installer should ensure that the minimum wiring requirements for the features and functions to be used are incorporated.

NOTE: To allow for inspection or repair of the connector, or the wiring to the connector, sufficient lead length should be left so that the rear connector assembly can be pulled forward several inches when the mounting hardware for the test connector assembly is removed. A bend should be made in the harness near the connector

AlliedSignal Commercial Avionics Systems

MAINTENANCE MANUAL RTA-83A VHF COMMUNICATIONS SYSTEM

to allow water droplets, that might form on the harness from condensation, to drop off at the bend and not collect at the connector.

When the cables are installed in the aircraft, they must be supported firmly enough to prevent movement and should be carefully protected against chafing. Additional protection should also be provided in all locations where the cables may be subject to abuse. In wire bundles, the cabling should not be tied tightly together as this tends to increase the possibility of noise pick-up and similar interference. When routing cables through the airframe, try to avoid running cables or wire close to power sources (400-Hz generator, etc). If unavoidable, the cables should cross high-level lines at a right angle, or high-quality shielded conductors should be used.

If a cable must pass through a bulkhead between pressurized and unpressurized zones, this passage must conform to the aircraft manufacturer's specifications.

The assembler must be knowledgeable of any system variations peculiar to the installation, and must thoroughly understand the complexities associated with handling related problems of line lengths, capacitance, and of susceptibility to interference.

The following determinants are the responsibility of the installation agency for fabrication of the wiring harness, see figures 201 and 204.

PIN NO.	TYPE	SIGNAL NAME	FUNCTION
TPA1	-	Reserved	For 566 function
TP1	Input	DC Ground	Aircraft and DC Ground
TP2	Input	DC Ground	Aircraft and DC Ground
TP3	Input	DC Power Input +27.5 VDC	Required for ARINC 566A VHF COMM. Use a standard 10-ampere circuit breaker in the main power lead.
TP4	Input	DC Power Input +27.5 VDC	

RTA-83A VHF Communications Transceiver Connector Determinants
Figure 201 (Sheet 1 of 6)

AlliedSignal Commercial Avionics Systems

MAINTENANCE MANUAL
RTA-83A VHF COMMUNICATIONS SYSTEM

PIN NO.	TYPE	SIGNAL NAME	FUNCTION
TP5	Output	Switched +27.5 VDC	On/Off function on pin TP9 supplies +27.5 VDC output from pins TP3 and TP4
TP6	Output	Switched +27.5 VDC	
TP7	Output	Primary AGC Monitor	For monitoring AGC output (Factory test only.)
TP8	-	Reserved	For 566 function
TP9	Input	Remote On/Off	When power is applied to pins TP3 and TP4, grounding pin TP9 energizes the RTA-83A and also provides switched +27.5 VDC on pins TP5 and TP6.
TP10	Output	Muting Relay - N.O.	Customer Optional Use - Some users utilize the muting relay contacts within the transceiver to transfer the audio system from "receiver output" to "sidetone output" when the transmitter push-to-talk is energized.
TP11	Output	Muting Relay - Arm	
TP12	Output	Muting Relay - N.C.	
TP13	-	Reserved	For 546/566 function
TP14	-	Reserved	For 546/566 function
TP15	Output	SELCAL Audio and Data Link Output (HI)	An analog output to provide 2400 bps MSK data to the ACARS MU. May also be used for SELCAL provisions.
TP16	Output	SELCAL Audio and Data Link Output (LO)	
TP17	-	Reserved	For 546/566 function
TP18	Input	Freq Port Select	Discrete input selects frequency port for 429 tuning Gnd/Low = Port A selected, Open/High = Port B selected. (Required for 429 tuning.)
TP19	-	Reserved	For 566 function
TP20	Output	Squelch Override Monitor	Monitors squelch override status (Factory test only.)

RTA-83A VHF Communications Transceiver Connector Determinants
Figure 201 (Sheet 2)

AlliedSignal Commercial Avionics Systems

**MAINTENANCE MANUAL
RTA-83A VHF COMMUNICATIONS SYSTEM**

PIN NO.	TYPE	SIGNAL NAME	FUNCTION
TP21	Input	SDI Bit 0 Program	A discrete input pair prewired at the rear connector to identify the specific VHF Comm location in the aircraft. (Required for 429 tuning.)
TP22	Input	SDI Bit 1 Program	
TP23	-	SDI Prog Pin Common	Ground for the SDI code inputs (Required for 429 tuning.)
TP24	-	Reserved	For 546/566 function
TP25	-	Reserved	For Four-Wire MIC PTT Return
TP26	Input	Data Link Audio Input (HI)	An analog input to provide audio and 2400 bps MSK data to the ACARS MU. May also be used for SELCAL provisions.
TP27	Input	DATA Link Audio Input (LO)	
TP28	-	Reserved	
TP29	Input	Data Link Key	Keys transmitter in data mode
TP30	Input	Mic Audio (HI)	Microphone audio input. Part of the standard four-wire microphone interwiring as described in Attachment 2 of ARINC 566A.
TP31	Input	Mic Audio Return/PTT	
TP32	-	Reserved	For 566 function
TP33	Input	Freq/Funct Select Data I/P Port A (A)	One of two low speed 429 input ports to provide frequency tuning data. (Required for 429 tuning.)
TP34	Input	Freq/Funct Select Data I/P Port A (B)	
TP35	-	Reserved	For 566 function
TP36	-	Reserved	For 566 function
TP37	Input	Freq/Funct Select Data I/P Port B (A)	One of two low speed 429 input ports to provide frequency tuning data. (Required for 429 tuning.)
TP38	Input	Freq/Funct Select Data I/P Port B (B)	
TP39	-	Reserved	For 546/566 function

RTA-83A VHF Communications Transceiver Connector Determinants
Figure 201 (Sheet 3)

AlliedSignal Commercial Avionics Systems

MAINTENANCE MANUAL
RTA-83A VHF COMMUNICATIONS SYSTEM

PIN NO.	TYPE	SIGNAL NAME	FUNCTION
BPA1	Input/Output	Antenna RF Input/Output	Coaxial connection to RF antenna
BP1	Input	Frequency Select A 10 MHz	Provides frequency selection of 10 MHz to 90 MHz
BP2	Input	Frequency Select B 10 MHz	
BP3	-	Frequency Select C 10 MHz	Not Required
BP4	-	Frequency Select D 10 MHz	Not Required
BP5	-	Frequency Select E 10 MHz	Not Required
BP6	Input	Frequency Select A 1 MHz	Provides frequency selection of 1 to 9 MHz
BP7	Input	Frequency Select B 1 MHz	
BP8	-	Reserved	For 546/566 function
BP9	Input	Frequency Select C 1 MHz	Provides frequency selection of 1 to 9 MHz
BP10	Input	Frequency Select D 1 MHz	
BP11	Input	Frequency Select E 1 MHz	
BP12	Input	Frequency Select A 0.1 MHz	Provides frequency selection of 0.1 to 0.9 MHz
BP13	Input	Frequency Select B 0.1 MHz	
BP14	Input	Max. Trans Cutoff	Discrete input that enables the maximum transmit cutoff function: Gnd/Low = Cutoff disabled, Open/High = Cutoff enabled.

RTA-83A VHF Communications Transceiver Connector Determinants
Figure 201 (Sheet 4)

AlliedSignal Commercial Avionics Systems

MAINTENANCE MANUAL
RTA-83A VHF COMMUNICATIONS SYSTEM

PIN NO.	TYPE	SIGNAL NAME	FUNCTION
BP15	Input	Frequency Select C 0.1 MHz	Provides frequency selection of 0.1 to 0.9 MHz
BP16	Input	Frequency Select D 0.1 MHz	
BP17	Input	Frequency Select E 0.1 MHz	
BP18	Input	Frequency Select A 0.01 MHz	Provides frequency selection of 0.01 to 0.09 MHz
BP19	Input	Frequency Select B 0.01 MHz	
BP20	-	Reserved	For 566 function
BP21	Input	Frequency Select C 0.01 MHz	Provides frequency selection of 0.01 to 0.09 MHz. Pin BP23 provides a discrete output that indicates the unit is capable of 8.33 kHz or 25 kHz modes of operation.
BP22	Input	Frequency Select D 0.01 MHz	
BP23	Output	Frequency Select E 0.01 MHz/8.33 kHz Program	
BP24	Input	Time Out Timer (T.O.T.) Tone	Ground for 1 kHz Intermittent Tone for 5 seconds at maximum transmit time out
BP25	-	Reserved	For 566 function
BP26	-	Reserved	For 546/566 function
BP27	Input	Frequency Select Common	Provides frequency selection common Gnd/Low = 2 x 5 tuning, Open/High = 429 tuning.
BP28	Output	Sidetone Output (HI)	Provides a 1000-Hz sidetone output during voice transmit mode
BP29	Output	Sidetone Output (LO)	
BP30	Input	Squelch Disable (HI)	A discrete input to provide squelch override or disable capability.
BP31	Input	Squelch Disable (LO)	
BP32	-	Reserved	For 566 function

RTA-83A VHF Communications Transceiver Connector Determinants
Figure 201 (Sheet 5)

AlliedSignal Commercial Avionics Systems

MAINTENANCE MANUAL
RTA-83A VHF COMMUNICATIONS SYSTEM

PIN NO.	TYPE	SIGNAL NAME	FUNCTION
BP33	-	Reserved	For 566 function
BP34	Output	Audio Output (CT)	For 546/566 function Provides an audio output for receiver audio during receive mode
BP35	Output	Audio Output (HI)	
BP36	Output	Audio Output (LO)	
BP37	-	Reserved	For 546/566 function
BP38	-	Reserved	For 546/566 function
BP39	-	Reserved	For 546/566 function

RTA-83A VHF Communications Transceiver Connector Determinants
Figure 201 (Sheet 6)

(2) Reserved and Spare Wires

If the installer does not wish to connect all wires, he may select wires reserved for optional functions which his system does not contain and delete these wires. He should also decide which future spare wires to include in the installation. Reserved and spare wires are identified in figure 201 and in interwiring diagram figure 204.

D. Installation of System

(1) Mounting Base

The RTA-83A VHF Communications System units are secured in the airframe with mounting trays that can accommodate a unit that conforms to ½ ATR short form factor per ARINC Characteristic 404. The mounts are designed to be removed without rewiring the connectors.

Dimensions for locating the mounting holes should be in accordance with the manufacturer's instructions for the mounting tray being used. When locating the mounts in the aircraft, allow at least one inch (2.54 centimeters) of free space on the top and sides of the unit. This will provide sufficient clearance for sway and ease of removal. Clean all mounting surfaces prior to positioning the mount in the desired location.

AlliedSignal Commercial Avionics Systems

MAINTENANCE MANUAL RTA-83A VHF COMMUNICATIONS SYSTEM

To wire the mounts into the system, first remove the mount connector cover and connector plate assembly. Then crimp or solder (as applicable) the interconnecting wiring to the appropriate connector pins. Finally, return the connector plate assembly and cover to their original positions.

(2) RTA-83A VHF Communications Transceiver

NOTE: To allow for inspection or repair of the connector, or the wiring to the connector, sufficient lead length should be left so that the rear connector assembly can be pulled forward several inches when the mounting hardware for the rear connector assembly is removed. A bend should be made in the harness near the connector to allow water droplets, that might form on the harness from condensation, to drip off at the bend and not collect at the connector.

The RTA-83A VHF Communications Transceiver is installed in the mount as follows:

- (a) Slide the RTA-83A into the mount until the guide pins are aligned and the electrical connectors are firmly engaged.
- (b) Secure the front of the RTA-83A to the mount by tightening the two knurled screw clamps (located on the front of the mount) until they are firmly seated over hold-down hooks located on the front of the unit.
- (c) Safety-wire the two screw clamps.

(3) VHF Communications Control Panel

The selected ARINC 566A VHF Communications control panel should be wired according to system interwiring diagram figure 204 and the manufacturer's instructions. For installation procedures and mounting dimensions, refer to the manufacturer's instructions.

(4) VHF Communications Antenna

The selected ARINC 566A VHF Communications antenna should be wired according to system interwiring diagram figure 204 and the manufacturer's instructions. For installation procedures and mounting dimensions, refer to the manufacturer's instructions.

AlliedSignal Commercial Avionics Systems

MAINTENANCE MANUAL RTA-83A VHF COMMUNICATIONS SYSTEM

7. Inspection and System Check Procedures

NOTE: Inspection and check procedures for the RTA-83A VHF Communications System includes checkout of all interfacing units that may affect performance of the RTA-83A.

A. Inspection

Figure 202 is a visual inspection check procedure and should be performed after system installation, prior to system checkout. In addition, the procedure should be used as a periodic inspection check.

EQUIPMENT	INSPECTION/CHECK PROCEDURE
½ ATR Short Unit Mount	As defined by manufacturer's instructions.
RTA-83A VHF Transceiver	(1) Check that unit is fully inserted in mount and that the knurled screw clamps which secure the unit in the mount are tight and safety wired.
	(2) Inspect the case for deformation, dents, corrosion, and damage to finish; ensure that ventilation holes in the unit are not clogged.
ARINC 566A Control Panel	As defined by manufacturer's instructions.
ARINC 566A VHF Antenna	As defined by manufacturer's instructions.

Inspection/Check Procedures
Figure 202

B. System Checkout

(1) General

After installation of the RTA-83A VHF Communications System, and inspection of the equipment per previous figure 202, perform a continuity and visual check of the system interwiring per paragraph 7.B.(2). A post-installation test per paragraph 7.B.(3) should then be performed.

AlliedSignal Commercial Avionics Systems

MAINTENANCE MANUAL
RTA-83A VHF COMMUNICATIONS SYSTEM

(2) System Interwiring Check

Visually check the system interwiring for abnormalities, such as cables rubbing unprotected metal edges or tightly stretched cables. Check continuity of all interwiring. In particular, check the following:

- (a) Check that the RTA-83A is properly installed and the hold-down screw clamps are tight.
- (b) Check wiring harness connectors for security and connection to the RTA-83A.
- (c) Check that antenna transmission line connectors are securely fastened.
- (d) Check that cables do not interfere with aircraft controls or other equipment.

(3) Post-Installation Check

(a) Test Equipment Required

None Required.

(b) System Test

- 1 Establish the initial control settings listed below.

ARINC 566A CONTROL

POSITION

Power	on
Frequency Selector	Tune to any local VHF frequency
Volume Control	midway

- 2 Using the system's headphone (or speaker) and microphone, check operation of the RTA-83A VHF Transceiver.
- 3 Key the microphone and speak into it; speech should be audible.
- 4 Listen through the headphones (or speaker) and press the SQUELCH DISABLE pushbutton. A squelch break should be audible through the headphones.

AlliedSignal Commercial Avionics Systems

MAINTENANCE MANUAL RTA-83A VHF COMMUNICATIONS SYSTEM

- 5 As soon as possible, local flight check should be made to verify system operation for both local and distant stations.

C. Flight Tests

(1) Preflight Test

(a) General

The following test procedure gives instructions for a preflight test which ensures that the RTA-83A VHF Communications System is functioning in an acceptable manner prior to takeoff.

(b) Test Procedures

Repeat the test procedure found in paragraph 7.B.(3)(b).

(2) In-Flight Confidence Test

Upon completion of the post-installation and preflight checks, a local flight may be made to verify system operation for both local and distant stations. Repeat the test procedure found in paragraph 7.B.(3)(b).

8. Removal and Replacement

A. Removal

- (1) Loosen the two knurled screw clamps (located on the front of mount) that secure the RTA-83A to the mount.
- (2) Gently pull the transceiver forward until it is disconnected from the rear connector and guide pins.

B. Replacement

- (1) Slide the RTA-83A onto the tray of the mount and then gently push the transceiver until the guide pins are aligned and the connectors make a firm connection.
- (2) Tighten the two knurled screw clamps located on the front of the mount until they are firmly seated over the hold-down hooks located on the front of the transceiver.
- (3) Safety wire the two knurled screw clamps.

AlliedSignal Commercial Avionics Systems

MAINTENANCE MANUAL
RTA-83A VHF COMMUNICATIONS SYSTEM

9. Maintenance Procedures

A. Adjustments and Alignments

There are no adjustments or alignments required for the RTA-83A VHF Communications System. All alignment and adjustment procedures are accomplished during bench maintenance. The technician should remove the unit from the aircraft and reference should be made to the related component maintenance manual when unit performance indicates an adjustment or an alignment is required.

B. System Protection

The system should be protected by a 10-ampere circuit breaker located at the circuit breaker panel in the aircraft.

C. Lubrication Practices

There are no requirements for periodic lubrication of any RTA-83A VHF Communications System components while mounted in the aircraft. Reference should be made to the applicable component maintenance manual for lubrication procedures during routine maintenance of individual units. Refer to figure 4 in "Description and Operation" section 1 for a list of related component maintenance manual publications.

D. Cleaning

When deemed necessary, depending upon the environment to which the equipment is exposed and the intensity of use, periodic cleaning should be performed. Any dust on the RTA-83A VHF Communications System LRU's should be wiped off with a lint-free cloth.

NOTE: Any cleaning of equipment interiors should be limited to that required when performing overhaul (bench-type) work.