

## Bluetooth Low Energy Scan Handle

Models SH-BLE-CT50, SH-BLE-75e

## Quick Start Guide

### Out of the Box

Make sure that your shipping box contains these items:

- Bluetooth Low Energy (BLE) Scan Handle (SH-BLE-CT50 or SH-BLE-75e)
- Quick Start Guide

If any of these items are missing or appear damaged, contact your Customer Account Representative. Keep the original packaging in the event that you need to return the scan handle for service or if you want to store it while not in use.

The BLE scan handle was designed to allow access to all of the buttons and the touch panel of the mobile computer. You can use the mobile computer inserted into the scan handle with the Scan Handle Holster. If you need to set the mobile computer inserted into the scan handle down on a flat surface, you can place the combination nose down.

The scan handle can operate under all of the same environmental conditions as the mobile computer. The operating temperature is -20 °C to 50 °C (-4 °F to 122 °F).

**Caution:** We recommend the use of Honeywell accessories and power adapters. Use of any non-Honeywell accessories or power adapters may cause damage not covered by the warranty.

*Mise en garde : Il est recommandé d'utiliser les périphériques, les cordons d'alimentation et les adaptateurs secteur conçus par Honeywell. L'utilisation de tout périphérique, cordon d'alimentation ou adaptateur secteur d'une autre marque est susceptible de provoquer des dommages non couverts par la garantie.*

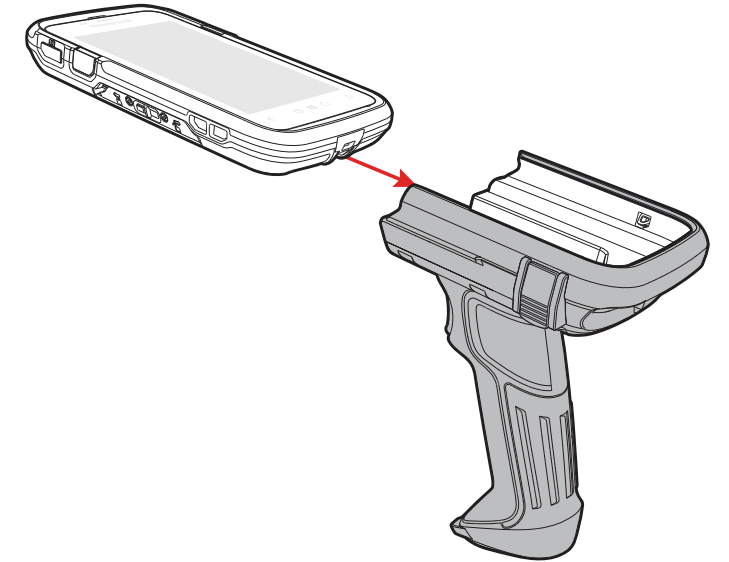
### Download and Install the Scan Handle Tool

You can download the Scan Handle Tool from the Honeywellaidc website at [www.honeywellaidc.com](http://www.honeywellaidc.com).

### Attach the Scan Handle to the CT50

No special tools are required to attach the scan handle to the computer.

- Slide the computer into the scan handle until it clicks firmly in place.



BTLE-SH-MULT-QS-01 Rev A  
6/16

### Attach the Scan Handle to the D75e

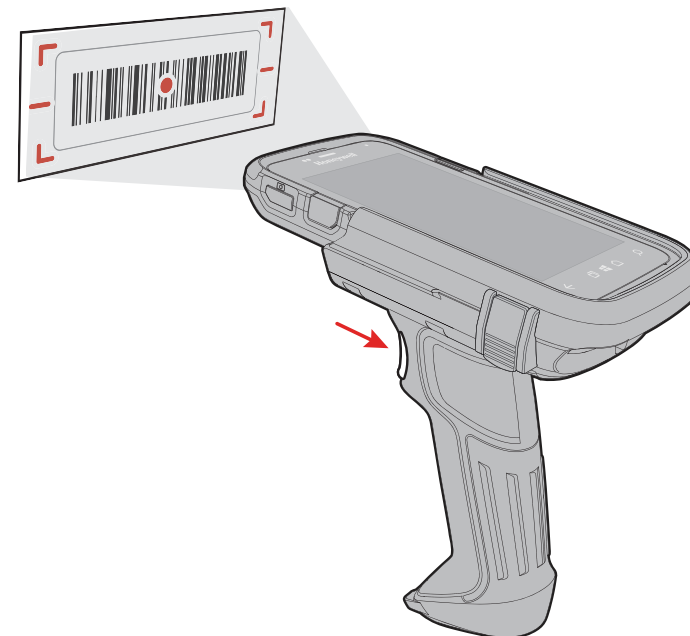
No special tools are required to attach the scan handle to the computer.

1. Press in on the rounded part of the release tabs on each side of the scan handle base.
2. Slide the computer into the scan handle.
3. Press firmly on both sides of the scan handle locking bar to secure the scan handle to the computer.

### Scan a Bar Code with the Scan Handle

The scan handle makes it easy to scan a bar code with the computer. The scan handle does not interfere with the ability to hear a beep on a good read.

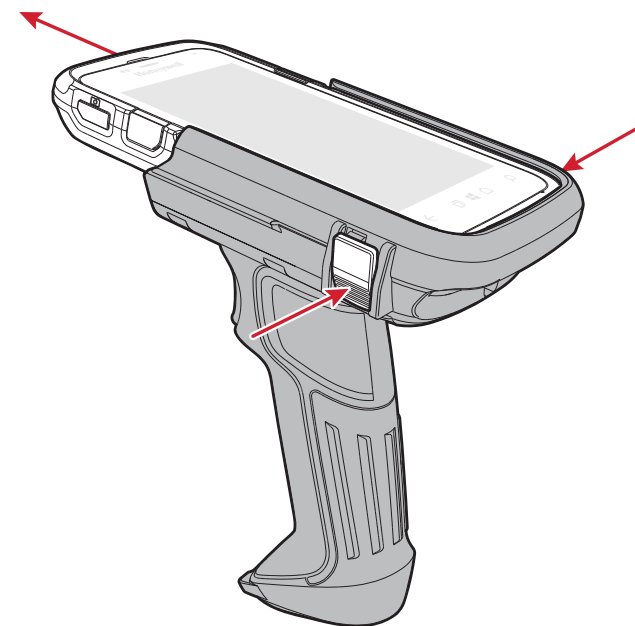
- Pull on the handle trigger to scan a bar code.



### Remove the Computer from the Scan Handle

If you need to replace the battery, you will need to remove the computer from the scan handle:

- Press in on the bottom of both scan handle latches and slide the computer out of the handle.



### Replace the Scan Handle Batteries

There are two AA alkaline batteries in the scan handle that you will need to change periodically.

## Agency Information

### USA

 FCC ID: HD5-SH-BLE

### FCC Part 15 Statement

This device complies with part 15 of the FCC Rules. Operation is subject to the following two conditions:

1. This device may not cause harmful interference.
2. This device must accept any interference received, including interference that may cause undesired operation.

### FCC Interference Statement

This equipment has been tested and found to comply with the limits for a Class B digital device pursuant to part 15 of the FCC Rules. These limits are designed to provide reasonable protection against harmful interference in a residential installation. This equipment generates, uses, and can radiate radio frequency energy and, if not installed and used in accordance with the instructions, may cause harmful interference to radio communications. However, there is no guarantee that interference will not occur in a particular installation.

If this equipment does cause harmful interference to radio or television reception, which can be determined by turning the equipment off and on, the user is encouraged to try to correct the interference by one or more of the following measures:

- Reorient or relocate the receiving antenna.
- Increase the separation between the equipment and receiver.
- Connect the equipment into an outlet on a circuit different from that to which the receiver is connected.
- Consult the dealer or an experienced radio or television technician for help.

### RF Exposure

The equipment complies with FCC RF exposure limits set forth for an uncontrolled environment. The equipment must not be co-located or operating in conjunction with any other antenna or transmitter.

**Note:** Any changes or modifications made to this equipment not expressly approved by Honeywell may void the FCC authorization to operate this equipment.

## Canada

### Canadian Compliance

This ISM device complies with Canadian RSS-Gen Issue 4/RSS-247 Issue

1. Operation is subject to the following conditions:

1. This device may not cause harmful interference.
2. This device must accept any interference received, including interference that may cause undesired operation.

### Conformité à la réglementation canadienne

Cet appareil ISM est conforme à la norme CNR-Gen/CNR-247 du Canada. Son fonctionnement est assujéti aux conditions suivantes :

1. Cet appareil ne doit pas causer de brouillage préjudiciable.
2. Cet appareil doit pouvoir accepter tout brouillage reçu, y compris le brouillage pouvant causer un fonctionnement indésirable.


## USA, Canada NRTL Statement

UL and C-UL Listed: UL60950-1 2nd Edition and CSA C22.2 No. 60950-1-07 2nd Edition.

### CB Scheme

Certified to CB Scheme IEC 60950-1, Second Edition.

## Europe

 The CE marking indicates compliance with the following directives:

- 1995/5/EC R&TTE
- 2011/65/EU RoHS (Recast)

In addition, complies to 2006/95/EC Low Voltage Directive when used with the recommended power source.

European contact:

Hand Held Products Europe B.V.  
Lagelandseweg 70  
6545CG Nijmegen  
The Netherlands

Honeywell shall not be liable for use of our product with equipment (such as power supplies, personal computers, and so on) that is not CE marked and does not comply with the Low Voltage Directive.

### Manufacture Contact Information:

Honeywell International Inc.

Honeywell Sensing & Productivity Solutions

9680 Old Bailes Road

Fort Mill, SC 29707 USA



## Support

To search our knowledge base for a solution or log into the Technical Support portal and report a problem, go to [www.hsmcontactsupport.com](http://www.hsmcontactsupport.com).

## User Documentation

For the user guide and other documentation, go to [www.honeywellaidc.com](http://www.honeywellaidc.com).

## Limited Warranty

For warranty information, go to [www.honeywellaidc.com](http://www.honeywellaidc.com) and click **Resources > Warranty**.

## Patents

For patent information, see [www.hsmpats.com](http://www.hsmpats.com).

## Disclaimer

Honeywell International Inc. (“HII”) reserves the right to make changes in specifications and other information contained in this document without prior notice, and the reader should in all cases consult HII to determine whether any such changes have been made. The information in this publication does not represent a commitment on the part of HII.

HII shall not be liable for technical or editorial errors or omissions contained herein; nor for incidental or consequential damages resulting from the furnishing, performance, or use of this material. HII disclaims all responsibility for the selection and use of software and/or hardware to achieve intended results.

This document contains proprietary information that is protected by copyright. All rights are reserved. No part of this document may be photocopied, reproduced, or translated into another language without the prior written consent of HII.

Copyright © 2016 Honeywell International Inc. All rights reserved.