



NORTH AMERICA

E-mail: support@taotronics.com(US)
support.ca@taotronics.com(CA)
Tel: 1-888-456-8468
(Mon-Fri: 9:00-17:00 PST)
Address: 2228 Junction Ave, San Jose, CA 95131

ASIA PACIFIC

E-mail: support.jp@taotronics.com(JP)

EUROPE

E-mail: support.uk@taotronics.com(UK)
support.de@taotronics.com(DE)
support.fr@taotronics.com(FR)
support.es@taotronics.com(ES)
support.it@taotronics.com(IT)
EU Importer: ZBT International Trading GmbH,
Lederstr 21a, 22525 Hamburg,
Deutschland



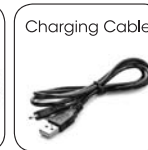
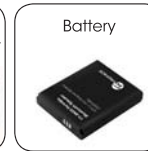
PORTABLE **WIRELESS SPEAKER**

Model: TT-SK02

FCC ID: 2ACIP-TTSKXX

Thank you for choosing the TaoTronics® TT-SK02 Portable Bluetooth Speaker. Please read the user manual carefully, and keep it for future reference. If in doubt, please contact our customer support team by email at support@taotronics.com.

Package Content

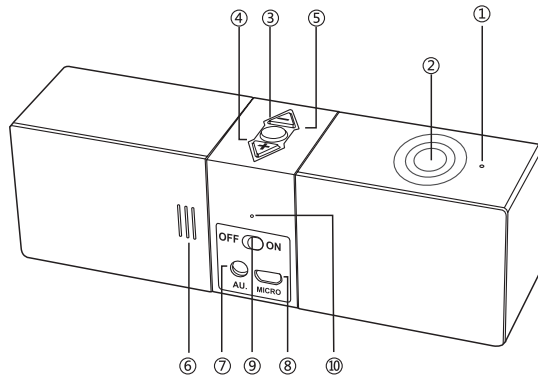


Specifications

Bluetooth Version	Bluetooth V3.0
Bluetooth Profile	A2DP, AVRCP, HSP, HFP
Output Power	3w x2
Speaker impedance	4Ω
Frequency	120Hz-18kHz
Range	33 feet (10 m)
Input	DC 5V
Battery	3.7V 1500mAh Li-ion battery
Working time	Up to 10 hours
Dimension (L*W*H)	6.6 x 1.6 x 2 inches / 168 x 41 x 51 mm
Weight	235 g / 8.3 oz

Product Diagram

- ① Microphone
- ② NFC area
- ③ Multifunction button
- ④ Volume + / next
- ⑤ Volume - / previous
- ⑥ Battery Compartment Cover
- ⑦ 3.5mm Aux Port
- ⑧ Micro USB charging port
- ⑨ Power button
- ⑩ LED indicator



LED Indicators

The LED indicators tell you the status of the speaker as follows:

LED indicator	Status
Blue light flashing (fast)	Pairing Mode
Blue light flashing (slow)	Playing
Blue light	Paired and in standby
Red light	Charging
Red light turns off during charging	Charging complete

How to Use

Battery installation

For transportation safety, the battery is placed separately inside the package. Please remove the battery compartment cover, insert the battery and replace the battery compartment cover.

Charging

To charge the speaker, simply connect the charging port with any active USB port or charging adapter. The LED indicator will become red during charging, and turn off once fully charged.

If the speaker is low on battery, you will hear a regular beep sound. The speaker will automatically turn off in 5 minutes.

Pairing

You must pair the speaker with your device to be able to play music/sound.

1. Turn on the speaker by pushing the power button to the ON position
2. Once the speaker is on, it will automatically go into pairing mode with blue indicator flashing rapidly
3. From your smartphone/tablet/Bluetooth music device, activate the Bluetooth function and search for nearby Bluetooth connections For iPhone®: Settings > General > Bluetooth > On For Android™: Settings > Bluetooth > On > Scan for devices
4. Select "TaoTronics® TT-SK02" from search result, and tap to connect
5. The LED indicator will remain blue with a beep sound indicating successful connection

Note:

- Please make sure no other open Bluetooth device is within range, and the speaker is within 3 feet way from your device
- If a PIN code is required for pairing, please try "0000" or "8888" (4 zeroes or 4 eights)

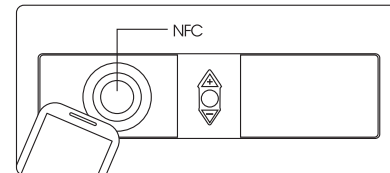
Re-connect

The TaoTronics® TT-SK02 remembers previously paired devices. If you have successfully paired the speaker with a device, simply turn on the speaker and Bluetooth-mode on the device and they will connect automatically without entering pairing mode.

NFC

The TT-SK02 Bluetooth speaker supports NFC pairing. To pair with any NFC enabled device, simply touch the speaker NFC area with the NFC area from your device.

Note: Please make sure your device screen is unlocked during NFC pairing or it will not work.



Music Control

Pause/Resume	Press the multifunction button
Volume control	Press the Volume +/- button
Previous/next track	Press and hold the Volume -/+ button

Phone calls

Answer/end call	Press the multifunction button
Refuse incoming call	Press and hold the multifunction button
Redial	Double press the multifunction button

AUX Mode

Connect any device with the TT-SK02 speaker using the 3.5 mm AUX cable. Turn on the speaker and play music through AUX mode.

USB Audio

The TT-SK02 Bluetooth speaker supports USB audio. When connected to a PC or laptop via USB cable, the computer will play audio through the speaker. This works well if you want to charge the speaker and listen to music at the same time.

Note: press and hold the multi-function button to bring the speaker back to Bluetooth mode. A voice notification will indicate the speaker is back in Bluetooth mode.

FAQ

Q: My speaker will not turn on.

A: Please try:

- Reinstalling the battery
- Charging the speaker for 4 hours

Q: I am having trouble connecting to my Bluetooth device.

A: Please check:

- Your Bluetooth device supports A2DP stereo profile
- TT-SK02 and your device are within 3 feet
- Turn off other Bluetooth devices within range
- The LED indicator is flashing fast (if it remains constant, it may have been paired with another Bluetooth device within range)

• Remove "TaoTronics® TT-SK02" from your device connection list, and search for it again

Q: I have successfully paired with the speaker, but I cannot hear any music

A: Please check:

- Music volume is at audible level on both the speaker and connected device
- Please make sure Bluetooth audio is selected as the audio output. (Some smartphone/tablet have multiple audio output options)

Caution

- Keep away from flammable, poison and corrosive substance
- Do not put the product under direct sunlight or hot areas. High temperatures will shorten the lifespan of the product, battery, and/or the internal circuit board

• Do not clean the product with chemicals or detergents

• Dispose battery according to local environmental laws

Warranty

This product is covered with a TaoTronics® parts and labor warranty for 12 months from the date of the original purchase from an authorized retailer and/or distributor. If the device fails due to a manufacturing defect, please contact TaoTronics Support (support@taotronics.com) immediately to file a warranty claim. We will instruct you on how to return the defective unit back to us for repair and replacement.

The following are excluded from TaoTronics warranty cover:

- Devices purchased as 2nd hand, used, or from unauthorized sellers
- Damage resulted from misuse and abusive actions
- Damage resulted from chemical, fire, radioactive substance, poison, liquid
- Damage resulted from natural disaster
- Damage caused to any 3rd party / person / object and beyond

No returns will be accepted without seller authorization.

Contact

E-mail: support@taotronics.com (all enquires)

Website: www.taotronics.com

Statement

We can only provide after sale services for products that are sold by TaoTronics or TaoTronics authorized retailer and distributor. If you have purchased your unit from a different place, please contact the seller for return and warranty issues.

Vielen Dank, dass Sie den TaoTronics® TT-SK02 Lautsprecher gekauft haben. Bitte lesen Sie die Anleitung aufmerksam und bewahren Sie diese gut auf. Falls Sie Fragen haben sollten, senden Sie bitte eine E-Mail mit einer detaillierten Problembeschreibung und der Bestellungsnummer an unseren Kundendienst unter: support.de@taotronics.com

FCC Statement:

This equipment has been tested and found to comply with the limits for a Class B digital device, pursuant to part 15 of the FCC Rules. These limits are designed to provide reasonable protection against harmful interference in a residential installation. This equipment generates, uses and can radiate radio frequency energy and, if not installed and used in accordance with the instructions, may cause harmful interference to radio communications.

However, there is no guarantee that interference will not occur in a particular installation. If this equipment does cause harmful interference to radio or television reception, which can be determined by turning the equipment off and on, the user is encouraged to try to correct the interference by one or more of the following measures:

- Reorient or relocate the receiving antenna.
- Increase the separation between the equipment and receiver.
- Connect the equipment to an outlet on a circuit different from that to which the receiver is connected.

This device complies with part 15 of the FCC rules. Operation is subject to the following two conditions: (1) This device may not cause harmful interference, and (2) this device must accept any interference received, including interference that may cause undesired operation.

Note: Modifications to this product will void the user's authority to operate this equipment.