

**Owner's
Manual**

HOOVER®

Encore™
Supreme

Canister Cleaner with Power Nozzle

Review this manual before
operating cleaner

Thank you for selecting a HOOVER product.

This cleaner was inspected and packaged carefully before being shipped from the factory. If you should happen to need assistance during assembly or operation, call

I-800-944-9200 for automated referral of authorized service outlet locations (U.S. only) or
I-330-499-9499 to speak with a representative in our Consumer Response Center.

DO NOT RETURN THIS PRODUCT TO THE STORE.

Fill in and retain

The model and serial number are located on the bottom of the cleaner.

For your personal records, please enter the **COMPLETE** model and serial number in the spaces provided and retain this information.

Your cleaner is model _____

and has serial number _____

It is suggested that you attach your sales receipt to this owner's manual. Verification of date of purchase may be required for warranty service of your Hoover product.

Save Index

Assembling Cleaner	5-6
Cleaner Descriptions	3-4
Cleaning Effectiveness Per Amp Rating..	17
How To Use	
Cleaning Tools	8-9
Power Nozzle	7
Suction Regulator	6
To Clean Stairs	9
If You Have a Problem	16
Important Safeguards	2
Lubrication	16
Maintenance	
Cleaning Secondary Fitter	13
Clearing Obstructions	12
Replacing Agitator	15
Replacing Bag	16-11
Replacing Belt	13-15
Service	17
Storage	10



Important Safeguards!

When using an electrical appliance, always follow basic precautions, including the following:

READ ALL INSTRUCTIONS BEFORE USING THIS APPLIANCE

Warning: To reduce the risk of fire, electric shock, or injury:

- Do not use outdoors or on wet surfaces.
- Close supervision is necessary when any appliance is used by or near children. Do not allow vacuum cleaner to be used as a toy or to run unattended at any time.
- Keep hair, loose clothing, fingers, feet and all parts of body away from openings, rotating agitator and other moving parts. Do not operate cleaner in bare feet or when wearing open toe shoes or sandals.
- Do not pick up anything that is burning or smoking, such as cigarettes, matches, or hot ashes.
- Do not use to pick up flammable or combustible liquids such as gasoline or use in areas where they may be present.
- The hose contains electrical wires. Do not use if damaged, cut, or punctured.
- Avoid picking up hard, sharp objects with the cleaner. They may damage the cleaner and the bag.
- Always turn off this appliance before connecting or disconnecting either hose or motorized nozzle.
- Do not use without dust bag or filters in place. Change bag frequently when picking up very fine materials such as powder.
- Use extra care when cleaning on stairs.
- Do not put any object into openings. Do not use with any opening blocked; keep free of dust, lint, hair, or anything that may reduce air flow.
- Do not pull or carry by cord, use cord as a handle, close door on cord or pull cord around sharp edges or corners. Do not run appliance over cord. Keep cord away from heated surfaces.
- **Always** disconnect cord from electrical outlet before servicing the cleaner.
- Unplug cleaner when not in use. Turn off all controls before unplugging.
- Do not unplug by pulling on cord. To unplug, grasp the plug, not the cord. Never handle plug or appliance with wet hands.
- The use of an extension cord is not recommended.
- Do not use with damaged cord or plug. If appliance is not working as it should, has been dropped, damaged, left outdoors, or dropped into water, take it to a Hoover Factory Service Center or Authorized Hoover Warranty Service Dealer (Depot).
- Use vacuum cleaner **only** for its intended use as described in the instructions. Use **only attachments recommended by The Hoover Company**; others may cause hazards.

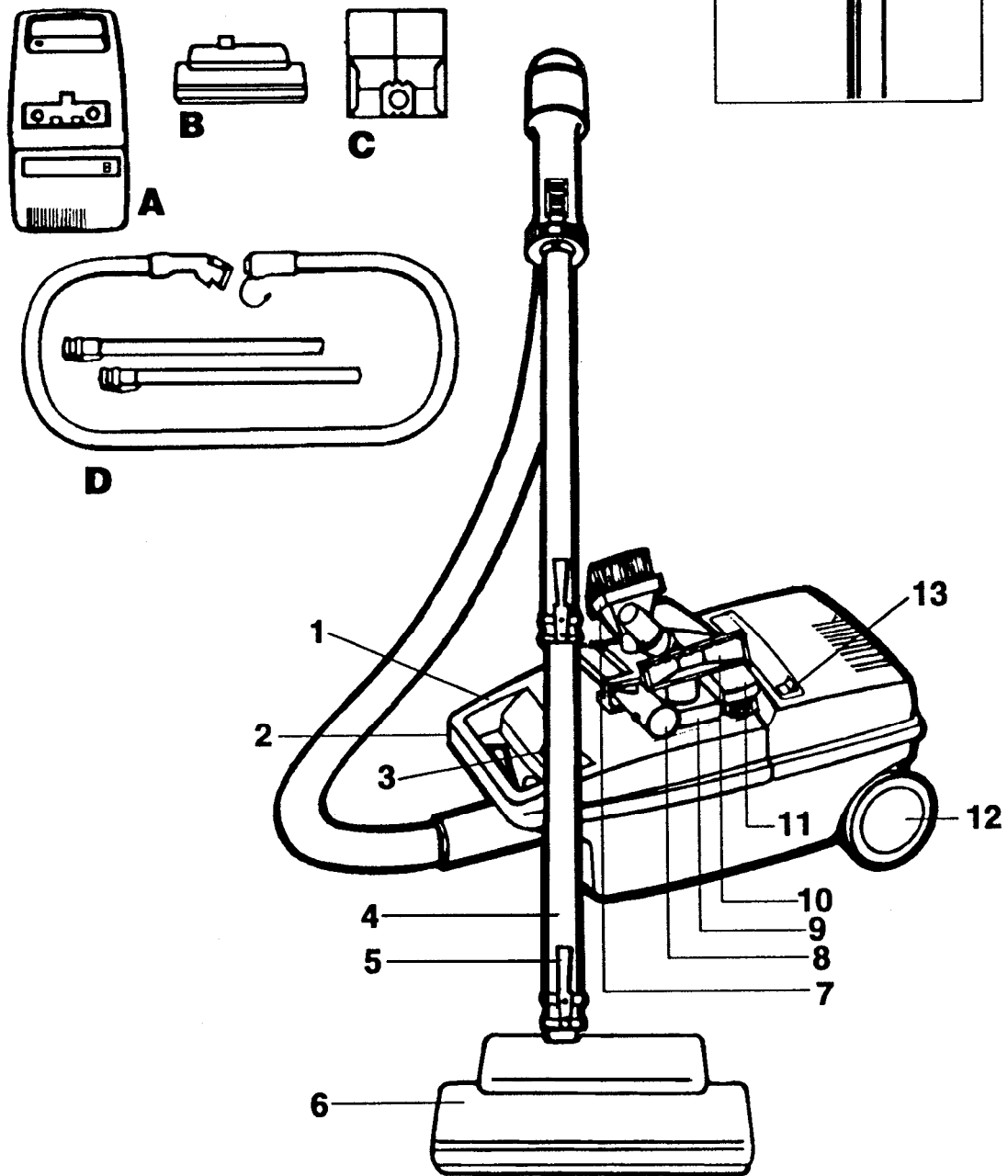
Save these instructions!

Unpacking

Unpack cleaner from carton and identify the parts shown. Remove and dispose of the cardboard packing.

- A. Canister cleaner
- B. Power nozzle
- C. Paper bag
- D. Extension wands and hose

The assembled cleaner will look like the drawing below.



Cleaner description

1. **Cover:** remove by lifting up top section of carrying handle and pulling forward.
2. **Carrying handle**
3. **Check bag indicator:** shows red when paper bag should be checked for fullness.
4. **Extension wands:** use with power nozzle. If added length is desired when using cleaning tools, add one or both wands to hose.
5. **Spring latch:** locks extension wands together or locks wand to nozzle or tool.
6. **Power nozzle:** automatically adjusts to different carpet pile heights.
7. **Dusting brush**
 - a. **Crevice tool**
9. **Tool rack:** provides tool storage for crevice tool, furniture nozzle and dusting brush, and wall/floor brush.
10. **Furniture nozzle**
11. **Wall/Floor brush**
12. **Large wheels:** provide easy towing, when cleaner is pulled over carpet, area rugs and door sills.
13. **ON-OFF control:** located on top of cleaner.
14. **Cord clips:** fasten power nozzle cord to extension wands.
15. **Receptacle:** connect power nozzle cord underneath hand grip.
16. **Hand grip**
17. **Suction regulator:** close for maximum suction; open if power nozzle is difficult to push on some carpet or if lightweight rugs or draperies are being cleaned.
16. **Plastic latch ring:** rotate to lock hand grip to extension wands or cleaning tools.

Operate cleaner only at voltage specified on data plate on bottom of cleaner.

This cleaner is intended for household use.

Questions or Concerns?

The Hoover Company wants to quickly resolve any concerns about your cleaner or questions regarding its use. Look on the list provided with the product for your local **Hoover Factory Service Center** or in the Yellow Pages under "Vacuum Cleaners - Household" for the nearest **Authorized Hoover Warranty Service Dealer** (Depot) or call:

1-800-944-9200 for an automated referral of authorized service outlet locations (U.S. only)

OR

1-330-499-9499 to speak with a representative in the Hoover Consumer Response Center.

DO NOT RETURN THIS PRODUCT TO THE STORE OR SEND IT TO NORTH CANTON FOR SERVICE.

How to assemble

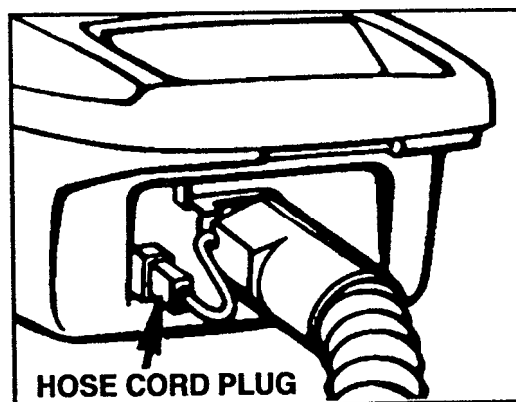
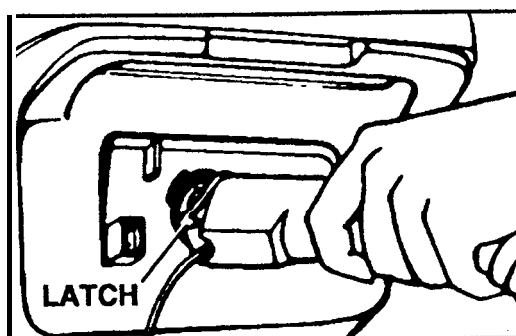
1. Connect hose

insert hose end with cord into opening of cleaner, lining up largest projection on hose with largest notch of opening. Turn hose to the right to tighten.

When hose is attached properly, hose cord plug will reach to receptacle on cleaner.

Insert plug as deeply into the receptacle as possible.

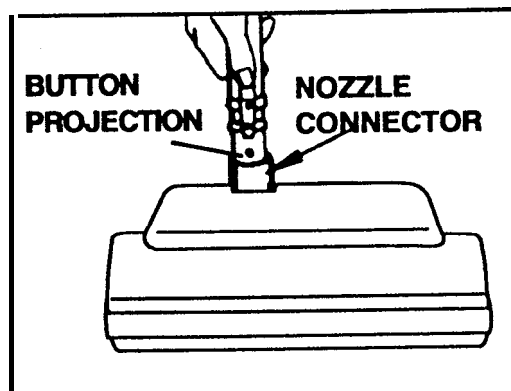
To disconnect hose, first remove hose cord plug from receptacle. Then, depress latch and turn hose to the left.

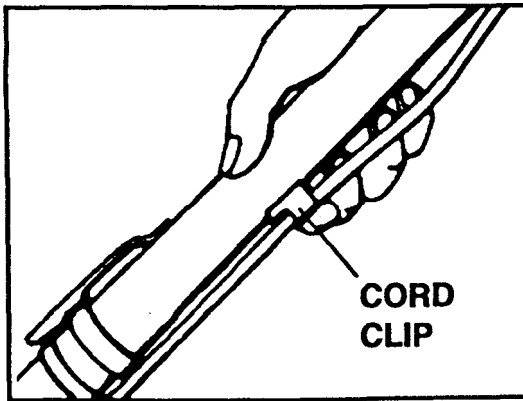


2. Attach power nozzle and extension wands

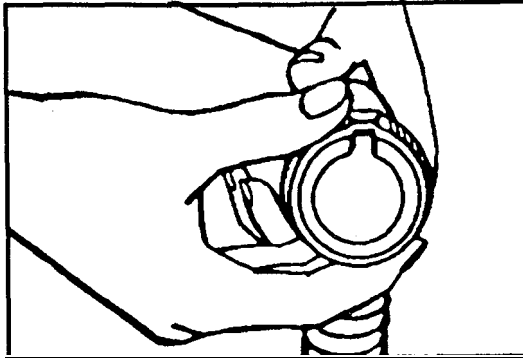
Attach wand to power nozzle by fitting button projection on nozzle connector into opening in spring latch. Be sure nozzle is locked in place.

To release, press down on center of latch and remove nozzle.

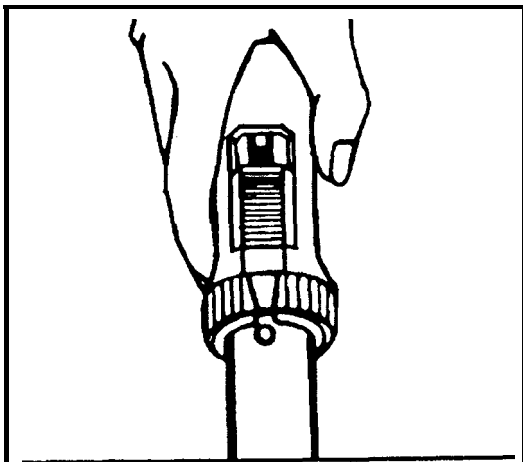




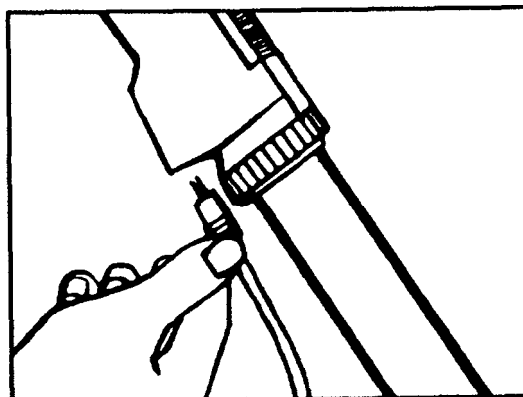
Attach second wand to the first. Position cord into cord clips on wands, placing excess cord between nozzle and bottom cord clip.



To attach hose to wands, rotate plastic latch ring on hand grip until slots in opening align.



Push hand grip onto wand so that button projection fits into slot. Turn plastic latch ring to lock wand in place.



Push plug on power nozzle cord completely into receptacle underneath hand grip.

Always disconnect cleaner from electrical outlet before attaching or removing power nozzle plug.

Reverse this procedure to remove wands.

How to use

To reduce the risk of electric shock, this appliance has a polarized plug (one blade is wider than the other). This plug will fit in a polarized outlet only one way. If the plug does not fit fully in the outlet, reverse the plug. If it still does not fit, contact a qualified electrician to install the proper outlet. Do not change the plug in any way.

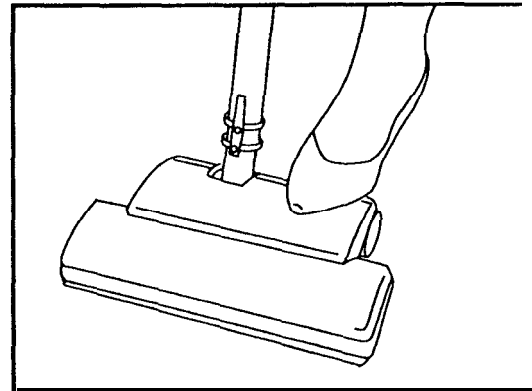
Power nozzle

The power nozzle adjusts automatically for cleaning hard surface floors and various heights of carpet. It is not recommended for very irregular surfaces such as brick, slate, and certain parquet floors unless it is unplugged from the cleaner. This will stop the agitator from rotating. If desired, the Wall/Floor Brush (shown in Cleaning Tools section) can be used for this task.

Handle positions

The handle has two positions when used with the power nozzle:
upright and **operating**.

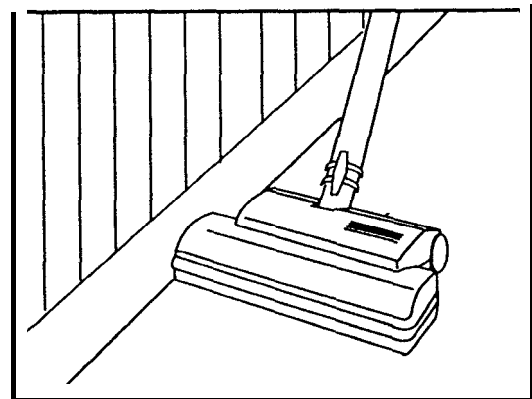
To lower handle to operating position, place your foot on the power nozzle and push handle back.

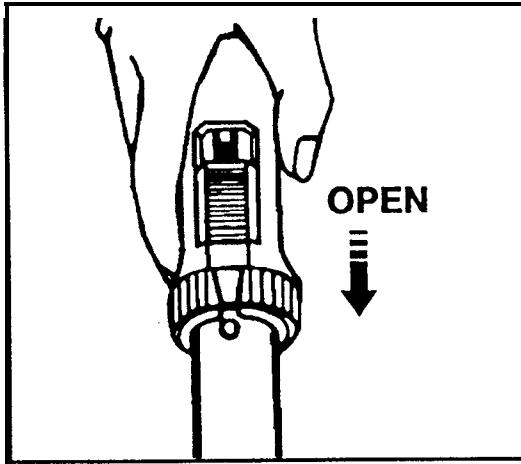


Edge cleaning

Brushed edge cleaning is provided on both sides of the nozzle to remove embedded dirt in carpet near baseboards and furniture.

Guide side of nozzle parallel to edge of carpet or furniture.





Suction regulator

The suction regulator is located on the hand grip and is used to increase or decrease suction for various cleaning tasks.

If the power nozzle is difficult to push on some carpet, open the suction regulator. This will prevent damage to the belt.

Cleaning tools

The cleaning tools have many uses. Select the tool best suited for the cleaning task from the descriptions below.

Adjust the suction regulator to select the amount of suction appropriate for the cleaning task.

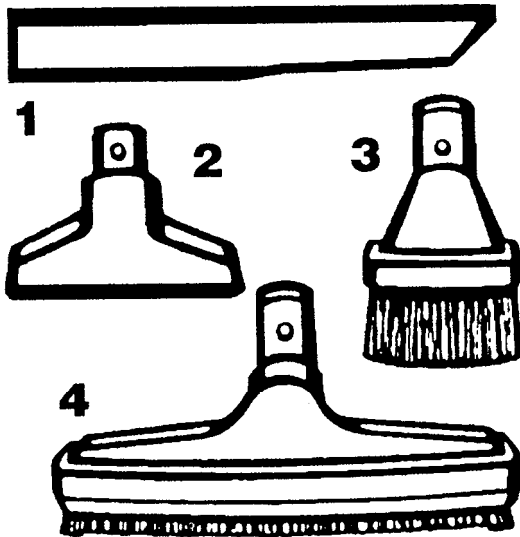
Select proper tool

1. Crevice tool may be used for radiators, dresser drawers, spaces between kitchen equipment.

2. Furniture nozzle may be used for upholstered furniture, draperies, tapestries, mattresses, clothing, automobile interiors and carpeted stairs.

3. Dusting brush may be used for carved furniture, table tops, books, lamps, lighting fixtures, Venetian blinds, baseboards, shutters and registers.

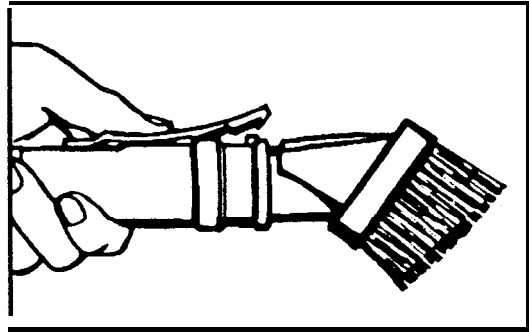
4. Wall/floor brush may be used for walls and very irregular hard surface floors such as brick and slate.



Continued 3

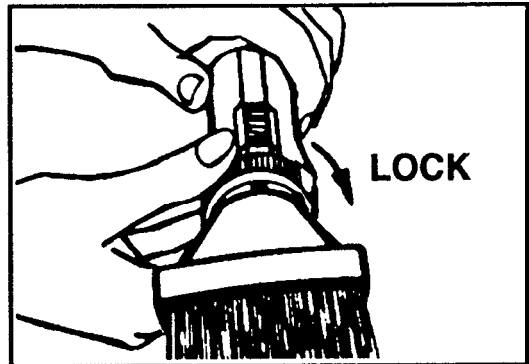
To connect and remove tools

To connect tools, insert end of tool into extension wand and snap into position. To disconnect, press down on the center of the spring latch and remove tool.

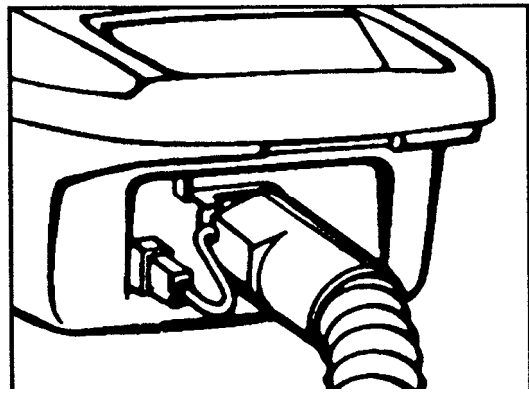


Tools attach to hand grip by rotating plastic ring until slots in the opening align. Insert tool and turn latch ring, as shown, to lock tool in place.

To remove tool, reverse the above procedure.

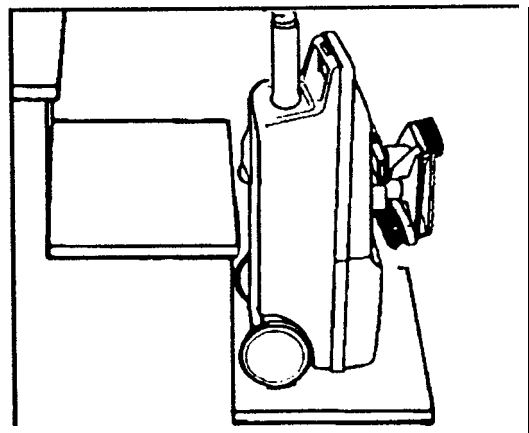


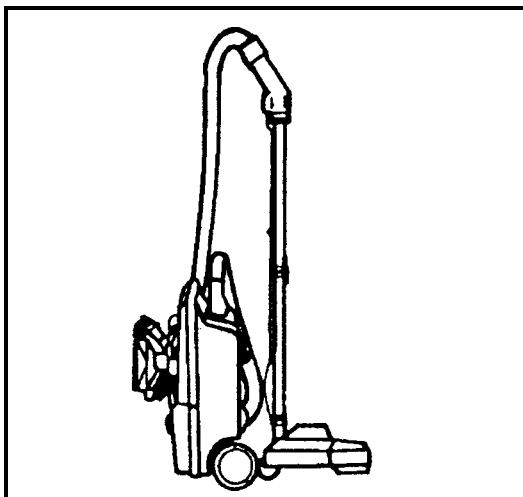
The power cord leading from hose connection to receptacle on cleaner base need not be connected when using the cleaning tools. **However, to avoid damage to cord, leave cord connected to receptacle.**



To clean stairs

Clean stairs by placing cleaner on end as pictured in the illustration. Clean stairs from bottom to top.





How to store

Your cleaner can be stored on end as shown in the illustration. Store power nozzle with handle in upright position.

The hose and extension wands can be stored disassembled from the cleaner if desired.

Maintenance

The following sections are concerned with proper maintenance of the cleaner. Familiarize yourself with these home maintenance tasks and keep this owner's manual in a convenient place where you can refer to it when needed. Proper use and care of your cleaner will ensure continued cleaning effectiveness.

The bag

When **to replace**

When the CHECK BAG indicator shows red, check the bag for fullness and replace if necessary.

CAUTION: Very fine material such as face powder, cornstarch, fireplace ashes or fireplace soot, may seal the paper bag and may cause it to burst even though it is only partially full of dirt. When the cleaner is used to remove material of this nature, the bag should be changed frequently.

Where to buy

Bags may be purchased from your local Authorized Hoover Dealer (Depot) or from a Hoover Factory Service Center. **When purchasing bags, be sure to give the model number of your cleaner.**

What to buy

For improved cleaning effectiveness, use **Genuine HOOVER® Micro Filtration Type K** disposable bags with your cleaner.

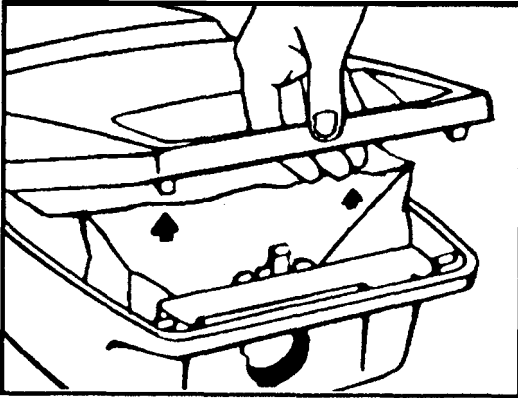
Regular **HOOVER Type K** bags also fit your cleaner.

To assure that your HOOVER cleaner operates at peak performance, it is imperative that you use only genuine HOOVER paper bags distributed by The Hoover Company. HOOVER bags can be identified by the trademarks - -

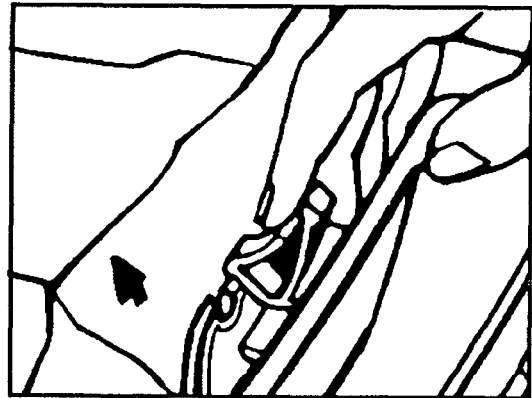


How to replace

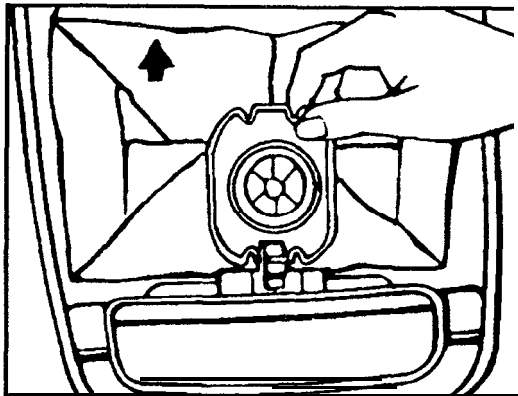
Disconnect cleaner from electrical outlet.



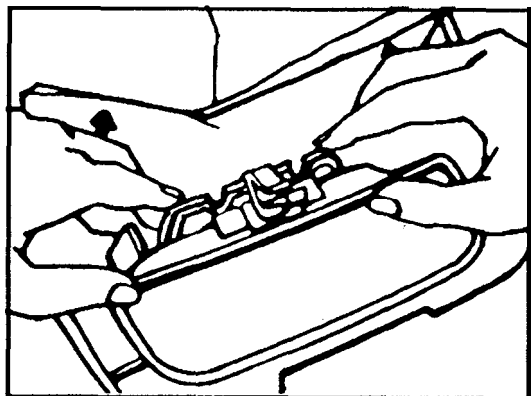
1. Remove cover by lifting top section of carrying handle and pulling forward.



2. Depress latch and lift out used bag.



3. Place lower notched edge of new bag collar into grooves located inside front of cleaner.



4. Pull collar forward until latch snaps into collar. Open folds of bag. Push top of bag back. Replace cover.

Note: A bag that does not expand properly may restrict airflow. In this event, check the bag, making sure all folds are open. **High suction on some carpet surfaces can cause the nozzle to hug the carpet and also restrict air flow. If this occurs, reduce the suction by opening the suction regulator.**

Obstructions

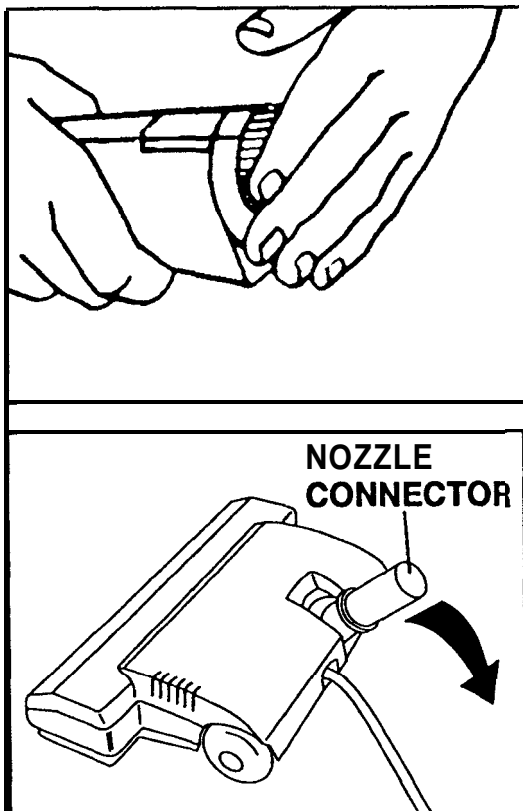
Remove larger items from carpet and floor surfaces before vacuuming to help prevent obstructions in hose, wands or nozzle connector, and to maintain cleaning effectiveness of your cleaner.

There are two conditions that will indicate that an obstruction has occurred:

1. Cleaner stops running (See **Thermal Protector** section.)
2. Cleaner continues to run, but suction is low. (See **Clearing obstructions** section.)

Thermal Protector

An internal thermal protector has been used in your cleaner to prevent overheating if a large item or clog is caught in the nozzle or at the opening of the bag. **When the blockage is not removed, the thermal protector will trip and the cleaner will stop running.** If this happens, turn the cleaner OFF and **disconnect cleaner from electrical outlet.** Disconnect hose from cleaner and remove obstruction from bag opening. If obstruction is in nozzle, disconnect nozzle from wand and remove obstruction. After 1-3 minutes, the thermal protector will cool and automatically reset, then cleaning may resume. If cleaner does not operate, allow additional time for thermal protector to reset. The thermal protector may also trip if the bag needs to be replaced. (See "The bag" section.)



Clearing obstructions

To check for obstructions, first turn cleaner off and **disconnect from electrical outlet; then disconnect power nozzle plug and wands from hand grip.** Plug cleaner in, turn on, and check hose end for suction. Remove any obstructions. Remove power nozzle from wands and attach wands to hose. Check for suction and remove any obstructions. **Before** attaching power nozzle to wands, check nozzle connector.

Push nozzle connector down to lowest position. Look into nozzle connector and remove any obstructions.

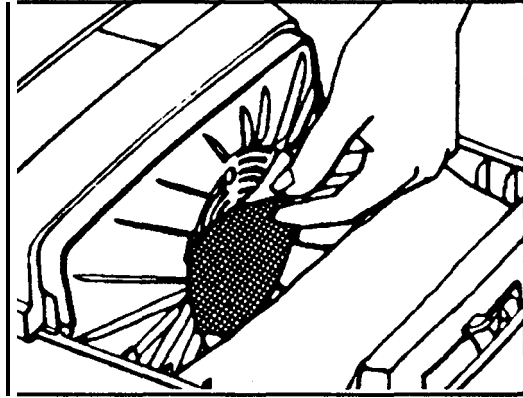
Secondary filter

How to clean

Disconnect cleaner from electrical outlet.

The secondary filter is located inside the cleaner behind the paper bag. To remove filter, first remove cover of cleaner, then lift out filter. Clean filter by rinsing it in water. When dry, slide filter back into position.

Do not operate cleaner without the secondary filter in place.



The belt

The belt in your power nozzle drives the agitator. It has been designed specifically for use in this cleaner and is important for effective operation.

What to buy

There are other belts manufactured that are similar in shape and size, but may not be designed for the HOOVER power nozzle. Such belts may not operate the agitator correctly and may create stress which could damage your power nozzle. Use only a genuine HOOVER belt No. **38528-011** when a belt replacement is necessary.

When to replace

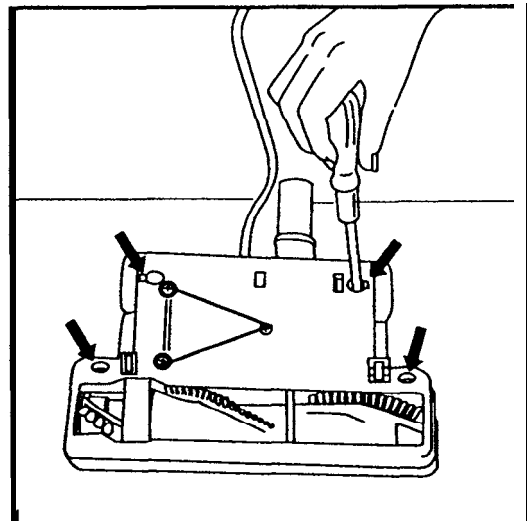
The belt, located under the nozzle cover, should be checked from time to time to be sure it is in good condition. To check, remove the nozzle cover (see following section). Replace the belt if it is stretched, cut, or broken.

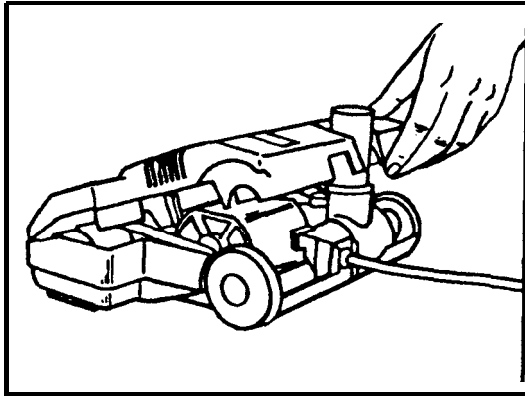
How to replace

Disconnect cleaner from electrical outlet and disconnect power nozzle from cleaner.

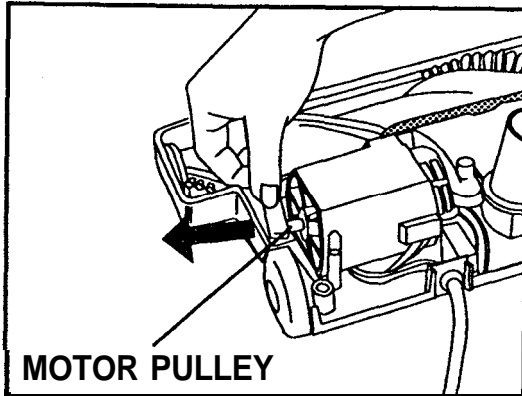
Turn nozzle over and unscrew the 4 recessed Phillips head screws.

Note: Do not remove the 3 screws in the triangle formation as these hold the motor in place.

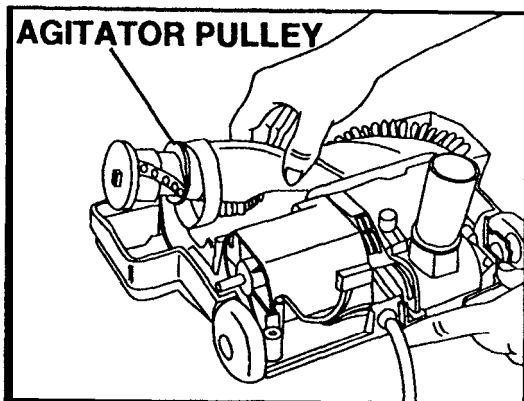




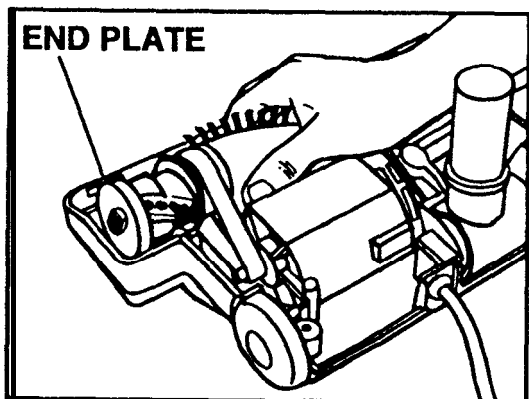
2. Return nozzle to original position; and lift off nozzle cover.



3. If the belt is not broken, pull it off the motor pulley.



4. Lift up end of agitator. Remove old belt from agitator pulley and replace with new belt.

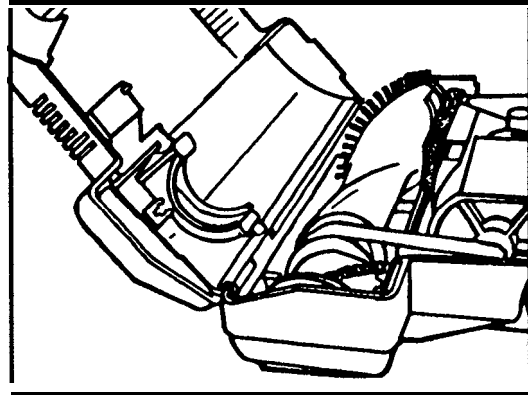


5. Stretch belt back and attach to motor pulley.

Hold opposite end of agitator in place. Push belt end forward, rotating end plate until it slides into place. Turn agitator, making sure it rotates freely.

6. Position nozzle cover on front lip of nozzle base. Press cover into place.

Turn nozzle over and replace screws.



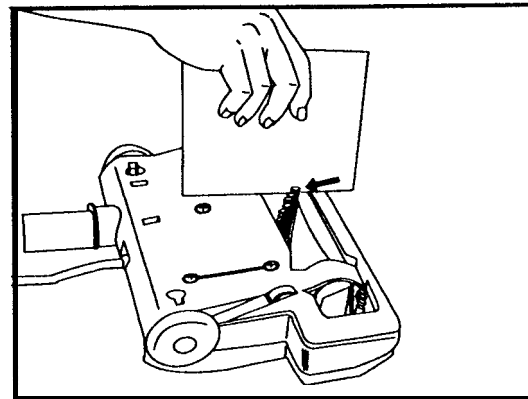
The agitator

When to replace

Disconnect cleaner from electrical outlet.

When agitator brushes are worn, the agitator should be replaced.

To check condition of brushes, move the edge of a card across agitator opening while turning agitator. To maintain cleaning effectiveness, replace agitator if brushes do not touch card.



How to replace

The agitator may be replaced with either a single or double row of brushes.

Single row of brushes - Hoover part No. **48414-051**.

Double row of brushes - Hoover part No. **48414-049**.

1. Remove nozzle cover, agitator and belt following directions in "How to replace belt".
2. Discard old agitator .
3. Place new agitator as shown in steps 4-6 of "How to replace belt".

Lubrication

The motor is equipped with bearings, which have been lubricated for the life of the motor. The addition of lubricant could cause damage. **Therefore, do not add lubricant to either motor bearing.**

The agitator is equipped with two ball bearings that should be lubricated periodically by a Hoover Factory Service Center or an Authorized Warranty Service Dealer (Depot).

If you have a problem

This appliance was inspected thoroughly and was in good operating condition when it was shipped from the factory. If a minor problem occurs, it usually can be solved quite easily when the cause is found. Therefore, this check list is provided to assist you.

Problem	Possible cause	Possible solution
A. Cleaner won't run	<ol style="list-style-type: none">1. Not firmly plugged in.2. No voltage in wall plug.3. Blown fuse/tripped breaker.	<ol style="list-style-type: none">1. Plug unit in firmly.2. Check fuse or breaker.3. Replace fuse/reset breaker.
B. Cleaner suction low	<ol style="list-style-type: none">1. Bag full.2. Obstruction in hose, wands, or nozzle connector.3. Secondary filter dirty.4. Bag not opening.5. Suction regulator control improperly set.6. Hose not properly connected to cleaner.	<ol style="list-style-type: none">1. Change paper bag.2. Remove foreign object.3. Clean filter.4. Open bag by pulling folds.5. Adjust suction regulator.6. Reconnect hose.
C. Agitator won't run	<ol style="list-style-type: none">1. Hose power cord not firmly plugged in.2. Broken or worn belt.3. Nozzle sealed to carpet.	<ol style="list-style-type: none">1. Plug firmly into receptacle on cleaner base and underneath hand grip.2. Replace belt.3. Open suction regulator.
D. Nozzle won't pick up	<ol style="list-style-type: none">1. Low cleaner suction.2. Obstruction in nozzle connector.3. Agitator not running.4. Agitator brushes worn.	<ol style="list-style-type: none">1. See Item B.2. Remove foreign object.3. See Item C.4. Replace brushes.

Service

To obtain approved HOOVER service and genuine HOOVER parts, locate the nearest **Hoover Factory Service Center or Authorized Hoover Warranty Service Dealer (Depot)** by:

- checking the Yellow Pages under "Vacuum Cleaners - Household" OR -
- checking the list of Factory Service Centers provided with this cleaner OR -
- calling 1-800-944-9200 for an automated referral of authorized service outlet locations (U.S. only)

Do not send your cleaner to The Hoover Company in North Canton for service, this will only result in delay.

If **further** assistance is needed, contact The Hoover Company Consumer Response Center, North Canton, Ohio 44720
Phone: 330-499-9499.

In Canada, contact Hoover Canada, Burlington, Ontario L7R 4A8,
Phone: 1-800-263-6376.

Always identify your cleaner by the **complete** model number when requesting information or ordering parts. (The model number appears on the bottom of the cleaner.)

Cleaning Effectiveness Per Amp Rating

This is not an Amp rating. Amps do not measure dirt removal, only the amount of electricity used. Cleaning Effectiveness Per Amp is determined by dividing this model's Cleaning Effectiveness* by its Amps.

***Cleaning Effectiveness** is the percent value obtained from dividing:

- (a) the geometric mean of the amount of embedded carpet dirt removed in testing under ASTM Test Method F608-89, by
- (b) the value 2.9 (the geometric mean of the midpoints of the % dirt pickup scales selected by Hoover as a reference for its rating system).

HOOVER and  are registered trademarks
THE HOOVER COMPANY, NORTH CANTON, OHIO 44720