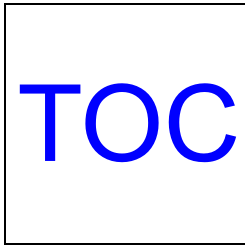




TABLE OF CONTENTS



SECTION 1 - TEMPO BAGGED UPRIGHT

MODEL U5140-900	1-2
MODEL UH30015	1-2
MODEL UH30030HD	1-2

SECTION 2 - FOLDAWAY BAGLESS UPRIGHT

MODEL U5172-900	2-2
MODEL U5175-900	2-2
MODEL UH40155	2-2
MODEL UH40185	2-2
MODEL UH40190	2-2

SECTION 3 - EMPOWER BAGLESS UPRIGHT

MODEL U5262-910	3-2
MODEL U5265-900	3-2
MODEL U5269-900	3-2

SECTION 4 - ELITE REWIND BAGLESS UPRIGHT

MODEL U5507-900	4-2
MODEL U5507-950	4-2
MODEL U5509-900	4-2
MODEL U5509-950	4-2
MODEL U5511-900	4-2
MODEL U5512-900	4-2
MODEL UH40070	4-2
MODEL UH40150HD	4-2

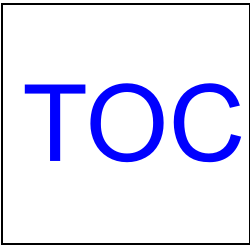
SECTION 5 - SAVVY BAGLESS UPRIGHT / SAVVY 2 IN 1 BAGGED AND BAGLESS UPRIGHT

WINDTUNNEL CONVERTIBLE BAGGED AND BAGLESS UPRIGHT

MODEL U8125-900	5-2
MODEL U8125-960	5-2
MODEL U8135-900	5-2
MODEL U8145-900	5-2
MODEL U8150-900	5-2
MODEL U8151-900	5-2
MODEL U8153-900	5-2
MODEL U8155-900	5-2
MODEL U8157-900	5-2
MODEL U8161-900	5-2
MODEL U8163-900	5-2
.....	CON'T



TABLE OF CONTENTS



SECTION 5 - SAVVY BAGLESS UPRIGHT / SAVVY 2 IN 1 BAGGED AND BAGLESS UPRIGHT

WINDTUNNEL CONVERTIBLE BAGGED AND BAGLESS UPRIGHT

CON'T	
MODEL U8172-900	5-9
MODEL U8174-900	5-9
MODEL U8181-900	5-14
MODEL U8187-900	5-14
MODEL U8188-900	5-14
MODEL UH40110	5-14

SECTION 6 - WINDTUNNEL SUPREME - LITE BAGGED UPRIGHT

MODEL U5458-900	6-2
MODEL U5458-910	6-2
MODEL U5460-900	6-2
MODEL U5462-900	6-2
MODEL U5467-900	6-2
MODEL U5468-900	6-2
MODEL U5470-900	6-2
MODEL U5471-900	6-2
MODEL U5472-900	6-2
MODEL U5473-900	6-2
MODEL U5481-900	6-2
MODEL U5491-900	6-2
MODEL UH30070	6-2
MODEL UH30085	6-9

SECTION 7 - WINDTUNNEL BAGGLESS UPRIGHT

MODEL U5753-900	7-2
MODEL U5760-900	7-2
MODEL U5786-900	7-2
MODEL UH40115	7-2
MODEL UH40125	7-2
MODEL U5762-900	7-7
MODEL UH40020	7-7
MODEL UH40065	7-7
MODEL UH40145B	7-7
MODEL UH40265	7-7



TABLE OF CONTENTS

TOC

SECTION 8 - WINDTUNNEL SELF-PROPELLED BAGGED UPRIGHT

MODEL U6439-900	8-2
MODEL U6454-900	8-2
MODEL U6485-900	8-2
MODEL UH50000	8-2
MODEL UH50005B	8-2

SECTION 9 - WINDTUNNEL SELF-PROPELLED BAGLESS UPRIGHT

MODEL U6630-900	9-2
MODEL U6634-900	9-2
MODEL UH60000	9-2
MODEL UH60010	9-2

SECTION 10 - WINDTUNNEL2 BAGGED UPRIGHT

MODEL U8311-900.....	10-2
MODEL UH30065.....	10-2

SECTION 11 - WINDTUNNEL2 BAGLESS UPRIGHT - EXTRA REACH / SURFACE COMMAND / COMPLETE

MODEL U8347-900.....	11-2
MODEL U8351-900.....	11-2
MODEL U8351-950.....	11-2
MODEL U8361-900.....	11-12
MODEL U8371-900.....	11-21

SECTION 12 - FLOORMATE - SPINSCRUB / SPINSCRUB 500 / SPINSCRUB 800

MODEL H2800	12-2
MODEL H2850	12-7
MODEL H3000	12-13
MODEL H3030	12-19
MODEL H3032	12-19
MODEL FH40000	12-19
MODEL H3040	12-28
MODEL H3044	12-28
MODEL H3045	12-28
MODEL H3050	12-36
MODEL H3060	12-36

SECTION 13 - IMPULSE - CORDLESS POWER MOP

MODEL H2510	13-2
-------------------	------

SECTION 14 - SPOT / DUO - STEAMVAC

MODEL F5505	14-2
MODEL F5520	14-2



TABLE OF CONTENTS

TOC

SECTION 15 - STEAMVAC - SPINSCRUB / AGILITY / DUAL V / ALL TERRAIN / STEAMVAC / QUICK AND CLEAN

MODEL F5810	15-2
MODEL FH50020	15-2
MODEL FH50015	15-5
MODEL F5914-900	15-8
MODEL F5915-900	15-8
MODEL F5917-900	15-8
MODEL F5918-900	15-8
MODEL FH50045	15-8
MODEL F6207-900	15-13
MODEL F6212-900	15-13
MODEL F6215-900	15-13
MODEL F7222-900	15-19
MODEL F7227-900	15-19
MODEL F7411-900	15-19
MODEL F7412-900	15-19
MODEL F7428-900	15-19
MODEL F7429-900	15-19
MODEL F7452-900	15-19
MODEL FH50040	15-19
MODEL FH50010	15-32
MODEL FH50030	15-32
MODEL FH50035	15-35
MODEL FH50005	15-38

SECTION 16 - CANISTER / TELIOS / DUROS / MAYTAG / LEGACY - CANISTER BAGGED

MODEL S1361	16-2
MODEL S3332	16-5
MODEL S3590	16-8
MODEL S3591	16-8
MODEL S3592	16-8
MODEL S3670	16-15

SECTION 17 - CONTELLATION CANISTER BAGGED

MODEL S3341	17-2
MODEL S3345	17-2

SECTION 18 - WINDTUNNEL PLUS CANISTER BAGGED

MODEL S3630	18-2
MODEL S3639	18-11



TABLE OF CONTENTS

TOC

SECTION 19 - WINDTUNNEL CANISTER BAGLESS

MODEL S3755	19-2
MODEL S3765	19-2
MODEL S3825	19-10

SECTION 20 - WETDRY / ROADRAT HAND VAC RECHARGEABLE

MODEL S1120	20-2
MODEL L2020	20-4

SECTION 21 - SIDEWINDER HAND VAC CORDED

MODEL S1156	21-2
-------------------	------

SECTION 22 - SLIDER STICK BROOM VAC - RECHARGEABLE

MODEL S2105	22-2
-------------------	------

SECTION 23 - FLAIR STICK VAC BAGLESS

MODEL S2200	23-2
MODEL S2220	23-2

SECTION 24 - SPINSWEEPER - OUTDOOR SWEEPER

MODEL L1400	24-2
-------------------	------

SECTION 25 - FLOORMAX SUPREME - HARD FLOOR AND CARPET SHAMPOOER

MODEL F4300	25-2
-------------------	------

SECTION 26 - GUV - GARAGE UTILITY VAC

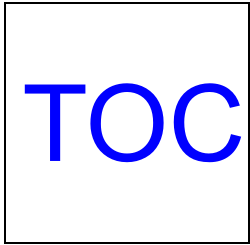
MODEL L2310	26-2
MODEL L2315	26-2

SECTION 27 - Z BAGLESS UPRIGHT - Z-400 / Z-700

MODEL U9125-900.....	27-2
MODEL U9145-900.....	27-2



TABLE OF CONTENTS



SECTION 28 - FUSION / MACH3 / MACH4 / MACH5/ MACH6 / POWER MAX / WHISPER / CYCLONIC BAGLESS / CYCLONIC PET BAGLESS UPRIGHT

MODEL U5180-900.....	28-2
MODEL U5180-910.....	28-2
MODEL U5182-900.....	28-2
MODEL U5183-900.....	28-2
MODEL U5185-900.....	28-2
MODEL UH70005B.....	28-2
MODEL U5780-900.....	28-9
MODEL U5781-900.....	28-9
MODEL UH70035.....	28-9
MODEL UH70085.....	28-9
MODEL U5194-900.....	28-14
MODEL U5198-900.....	28-14
MODEL U5199-900.....	28-14
MODEL UH70040.....	28-14
MODEL U5184-900.....	28-19

SECTION 29 - NANOLITE BAGLESS UPRIGHT

MODEL U2440-900	29-2
-----------------------	------

SECTION 30 - RESIDENTIAL BAGGED UPRIGHT - CLEAN AND LIGHT / SIGNATURE

MODEL U4707	30-2
MODEL U4730	30-2

SECTION 31 - PLATINUM COLLECTION - LINX STICK VAC / LINX HAND VAC

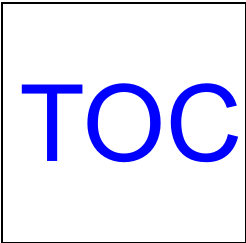
MODEL BH50010.....	31-2
MODEL BH50015.....	31-4

SECTION 32 - PLATINUM COLLECTION - LIGHTWEIGHT BAGGED UPRIGHT / BAGGED CANISTER COMBO

MODEL UH30010.....	32-2
MODEL SH10000.....	32-5



TABLE OF CONTENTS



SECTION 33 - PLATINUM COLLECTION - CYCLONIC BAGLESS UPRIGHT

MODEL UH70010	33-2
MODEL UH70015	33-2

SECTION 34 - PLATINUM COLLECTION - CARPET CLEANER

MODEL F8100900	34-2
----------------------	------

SECTION 35 - PLATINUM COLLECTION - CYCLONIC BAGLESS CANISTER

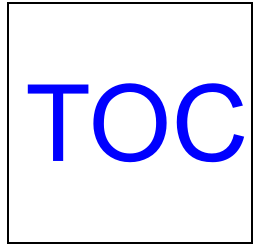
MODEL S3865	35-2
-------------------	------

SECTION 36 - T- SERIES - WINDTUNNEL PURELY CLEAN / WINDTUNNEL REWIND / WINDTUNNEL REWIND PLUS / WINDTUNNEL PET REWIND / WINDTUNNEL PURELY PET

MODEL UH70200	36-2
MODEL UH70205	36-2
MODEL UH70210	36-2
MODEL UH70211	36-2
MODEL UH70212	36-2
MODEL UH70215	36-2
MODEL UH70110	36-5
MODEL UH70120	36-5
MODEL UH70100	36-8
MODEL UH70105	36-8
MODEL UH70106	36-8
MODEL UH70107	36-8
MODEL UH70130	36-10



TABLE OF CONTENTS



NOTES



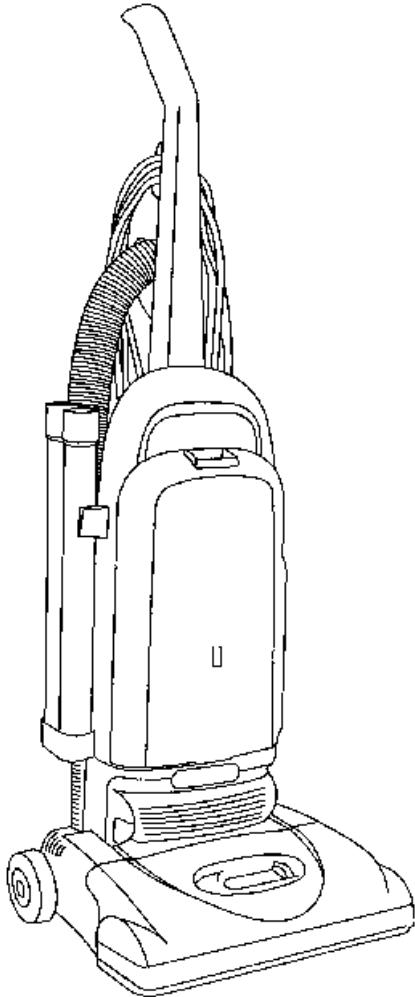
1

SECTION CONTENTS

<u>MODEL No.</u>	<u>PAGE No.</u>
U5140-900	1-2 THRU 1-6
UH30015	1-2 THRU 1-6
UH30030HD	1-2 THRU 1-6

MODEL No.

U5140-900
 UH30015
 UH30030HD



- * PRICING, SPECIFICATION'S, AND PRODUCT AVAILABILITY ARE SUBJECT TO CHANGE WITHOUT NOTICE. PRICING IS FOB FACTORY, CANTON, OH
- * ALL INFORMATION CONTAINED WITHIN THIS SERVICE MANUAL IS PROPRIETARY INFORMATION OF TTI FLOOR CARE NORTH AMERICA.
- * **WARNING:** TO REDUCE THE RISK OF ELECTRICAL SHOCK OR INJURY, ALWAYS DISCONNECT THE APPLIANCE CORD FROM THE ELECTRICAL OUTLET OR REMOVE BATTERY PRIOR TO SERVICING THE UNIT.

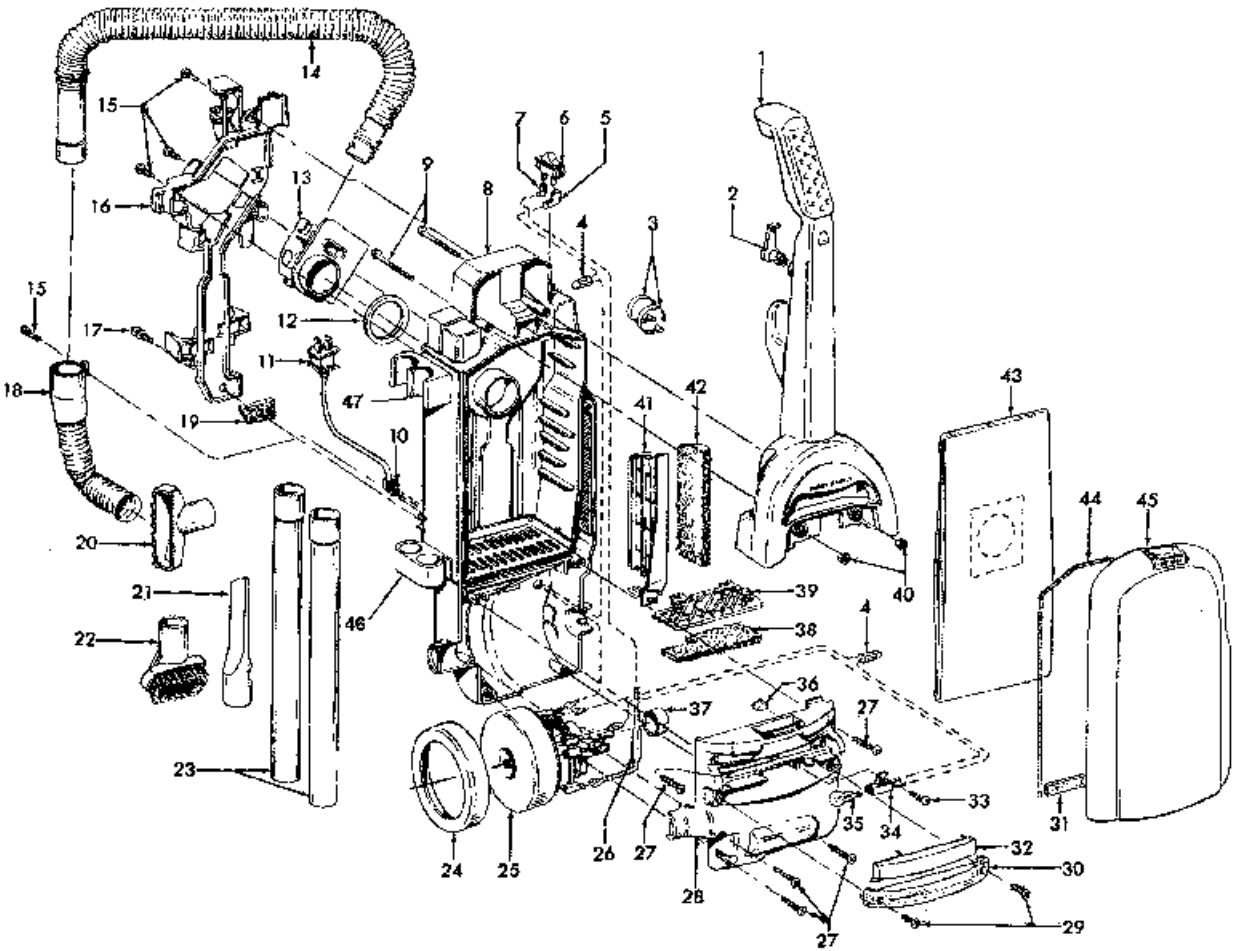


1

ASSEMBLY SCHEMATIC

MODEL NO.

U5140-900
UH30015
UH30030HD





1

PART LISTING / PRICE LIST

ITEM	PART NUMBER	MODELS TO FIT	PART DESCRIPTION	LIST COST
1	48663206	U5140-900	HANDLE ASSEMBLY - BLACK	15.87
	39466136	UH30015, UH30030HD	HANDLE ASSEMBLY - SHADOW GRAY	
2	39442048	ALL	CORD WRAP - MAGNESIUM GRAY	1.14
3	27479307	ALL	CABLE TIE	.45
4	27618508	ALL	WIRE CONNECTOR	1.12
5	N.A.	ALL	TERMINAL	N.A.
6	28161075	ALL	SWITCH - 1/4" TERMINAL - TWO BLACK LEADS	2.63
	40309033	ALL	SWITCH KIT - ORDER 28161075 / 49811075 / 018972--	N.L.A.
7	N.A	ALL	TERMINAL	N.A.
8	37259026	U5140-900	UPPER/BACK HOUSING - BLACK	29.20
	37259033	UH30015, UH30030HD	UPPER/BACK HOUSING - SHADOW GRAY	
9	40201149	ALL	HANDLE HARDWARE ASSEMBLY SCREWS	2.26
10	27482230	ALL	STRAIN RELIEF	1.12
11	46383334	ALL	POWER CORD - 35'	15.87
12	31178017	ALL	HOSE CONNECTOR GASKET	1.12
13	38641005	ALL	DIRT DUCT	2.59
14	43434248	ALL	HOSE ASSEMBLY COMPLETE	9.74
15	21447242	ALL	SCREW - SELF TAPPING	1.12
16	92001070	U5140-900	TOOL/HOSE HOLDER	3.96
	36433263	UH30015, UH30030HD	TOOL/HOSE HOLDER - SHADOW GRAY	2.93
17	23149002	ALL	SCREW - SELF TAPPING	.57
18	43431005	ALL	LOWER HOSE / INLET DOOR ASSEMBLY	9.06
19	34311004	ALL	WIRE OPENING SEAL	1.12
20	38614044	ALL	FURNITURE NOZZLE	5.66
21	38617027	ALL	CREVICE TOOL	6.20
22	43414197	ALL	DUSTING BRUSH ASSEMBLY - BLACK	2.68
23	38634078	ALL	EXTENSION TUBE	6.79
24	36322037	ALL	MOTOR MOUNT - LARGE	2.59
25	27212057	ALL	MOTOR ASSEMBLY COMPLETE	62.09
	90001206	ALL	FAN	3.39
	41311017	ALL	MOTOR BRUSH	4.86
26	28382086	ALL	THERMAL PROTECTOR	7.48
27	21447230	ALL	SCREW - SELF TAPPING	1.12
28	37196158	ALL	MOTOR COVER	9.06
29	21447228	ALL	SCREW - SELF TAPPING	.57

MODEL No.

U5140-900
UH30015
UH30030HD



1

PART LISTING / PRICE LIST

MODEL No.

U5140-900
UH30015
UH30030HD

ITEM	PART NUMBER	MODELS TO FIT	PART DESCRIPTION	LIST COST
30	39383107	ALL	LENS	2.59
31	34123050	ALL	BAG DOOR GASKET - BOTTOM	1.12
32	37944010	U5140-900	COVER	1.13
	37944040	UH30015, UH30030HD	COVER - SHADOW GRAY	
33	21447072	ALL	SCREW	.57
34	47173023	ALL	WIRING HARNESS	N.L.A.
35	27313101	ALL	LAMP	2.26
36	34131019	U5140-900	WIRING OPENING PLUG	1.12
	37911106	UH30015, UH30030HD	WIRING OPENING PLUG - SHADOW GRAY	
37	36322030	ALL	MOTOR MOUNT - SMALL	1.12
38	38765019	ALL	SECONDARY / INLET FILTER	3.44
39	36426034	ALL	FILTER RETAINER	1.46
40	40201149	ALL	HANDLE HARDWARE ASSEMBLY - NUTS	2.26
41	36426060	ALL	EXHAUST FILTER HOLDER	1.81
42	38766008	ALL	FINAL / EXHAUST FILTER	1.21
	40110004	ALL	FINAL / EXHAUST FILTER - 2 PACK	3.49 NON DISC
	40110064	ALL	FINAL / EXHAUST FILTER / ALLERGEN - 2 PACK	PEND
43	4010100Y	ALL	TYPE Y ALLERGY - 3 PACK	3.62 NON DISC
	4010106Y	ALL	TYPE Y ALLERGY - 3 PACK	PEND
44	38781057	ALL	BAG DOOR GASKET - 34.5"	1.46
45	42227187	U5140-900	BAG HOUSING DOOR	22.94
	37254296	UH30015	BAG HOUSING DOOR - ARTIC WHITE	
	37254298	UH30030HD	BAG HOUSING DOOR - CRIMSON	
46	36433116	U5140-900	LOWER WAND HOLDER	2.59
	36433264	UH30015, UH30030HD	LOWER WAND HOLDER - SHADOW GRAY	
47	36433117	U5140-900	UPPER WAND HOLDER	2.59
	36433265	UH30015, UH30030HD	UPPER WAND HOLDER - SHADOW GRAY	

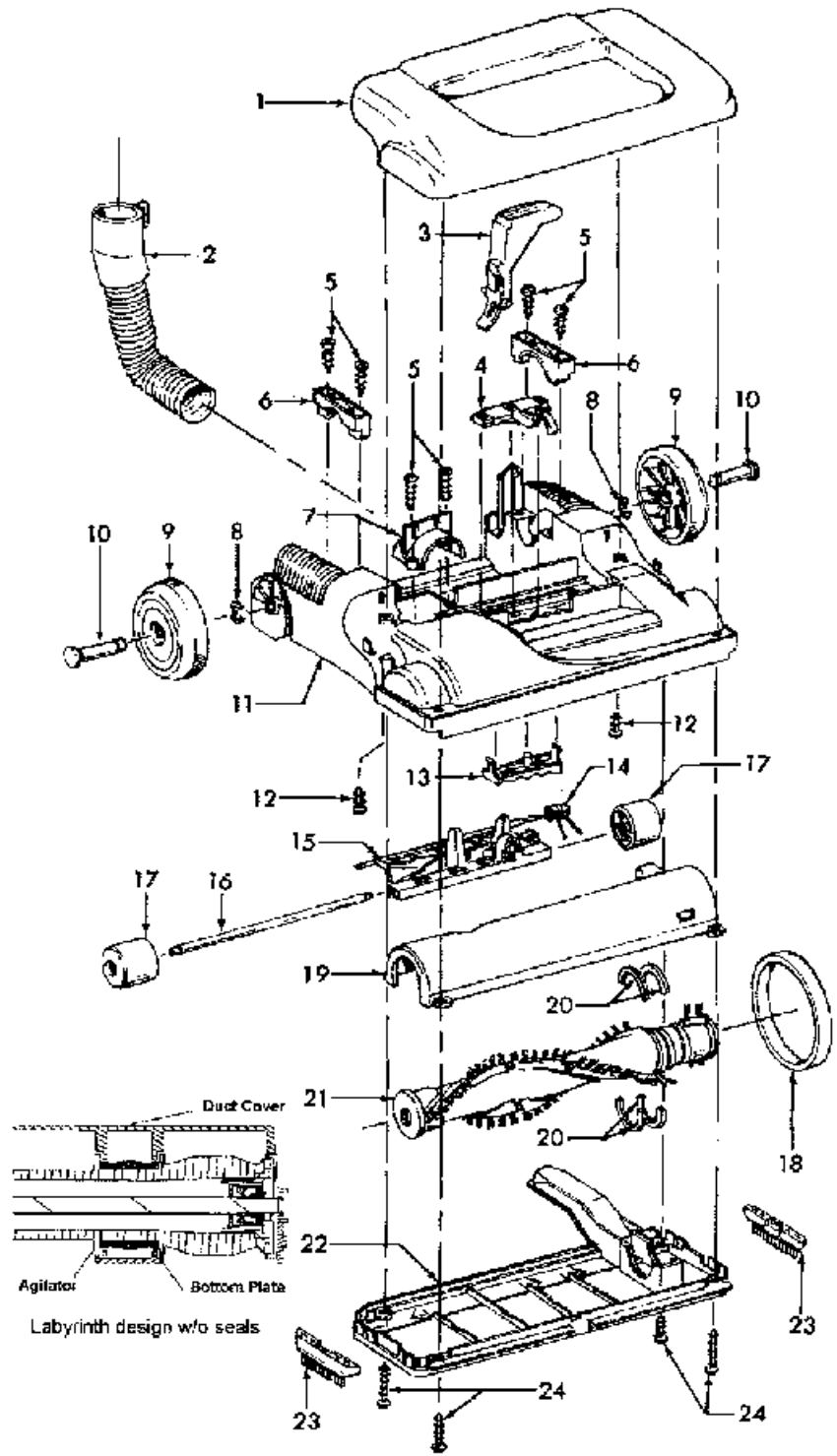


1

ASSEMBLY SCHEMATIC

MODEL NO.

U5140-900
UH30015
UH30030HD





1

PART LISTING / PRICE LIST

ITEM	PART NUMBER	MODELS TO FIT	PART DESCRIPTION	LIST COST
1	92001062	U5140-900	HOOD / NOZZLE COVER - CATALINA BLUE	9.40
	37253A94	UH30015	HOOD / NOZZLE COVER - ARTIC WHITE	
	37253A99	UH30030HD	HOOD / NOZZLE COVER - CRIMSON	
2	43431005	ALL	LOWER HOSE / INLET DOOR ASSEMBLY	9.06
3	38458043	ALL	HANDLE RELEASE LEVER - BLACK	2.26
4	40309004	ALL	NOZZLE ADJUSTMENT LEVER & CAM KIT	3.16
5	21447072	ALL	SCREW	.57
6	36131094	ALL	TRUNNION COVER	1.12
7	36171044	ALL	HOSE CLAMP	1.12
8	160017--	ALL	LOCK RING	.58
9	38522077	U5140-900	REAR WHEEL	2.26
	38522111	UH30015, UH30030HD	REAR WHEEL - SHADOW GRAY	
10	32434007	ALL	REAR AXLE	1.12
11	92001061	ALL	MAIN BODY NOZZLE BASE WITH GUARD	15.30
12	21447228	ALL	SCREW - SELF TAPPING	.57
13	ORDER #4	ALL	ADJUSTMENT LEVER / CAM KIT	N.L.A.
14	38355010	ALL	TORSION SPRING	1.12
15	43248064	ALL	FRONT WHEEL ASSEMBLY COMPLETE	9.06
	36432027	ALL	FRONT WHEEL SUPPORT	2.26
16	32541007	ALL	WHEEL SHAFT	1.12
17	38521009	ALL	FRONT WHEEL	2.26
18	38528033	ALL	BELT	1.15 NON DISC
19	40309026	ALL	BOTTOM PLATE AND DUCT ASSEMBLY	19.27
20	38781053	ALL	AGITATOR PULLY SEAL	.93
21	48414132	ALL	AGITATOR / BRUSH ROLL - 15" WOODEN	17.25
22	ORDER #19	ALL	BOTTOM PLATE AND DUCT ASSEMBLY	N.L.A.
23	36235089	ALL	FURNITURE GUARD FILLER	.35
24	21447121	ALL	SCREW	.57

MODEL No.

U5140-900
UH30015
UH30030HD

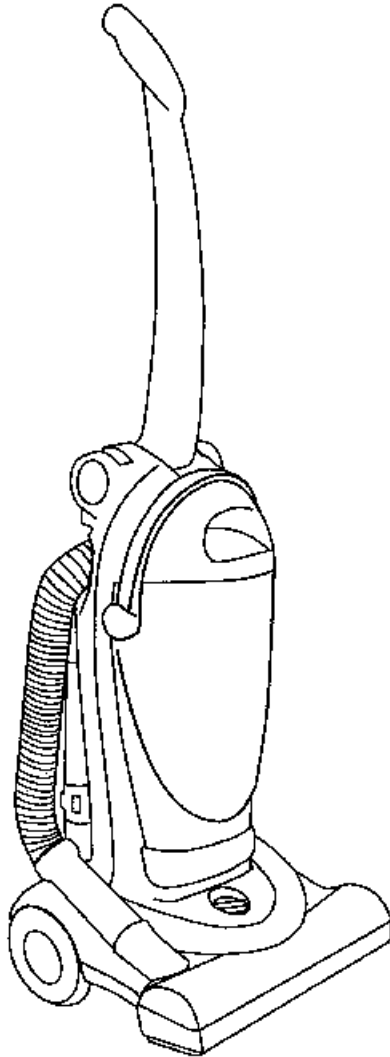


SECTION CONTENTS

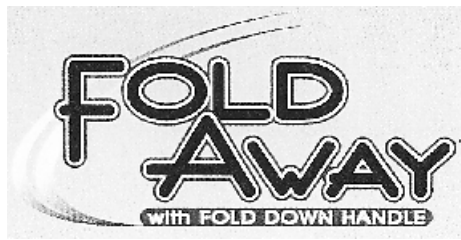
<u>MODEL No.</u>	<u>PAGE No.</u>
U5172-900	2-2 THRU 2-6
U5175-900	2-2 THRU 2-6
UH40155	2-2 THRU 2-6
UH40185	2-2 THRU 2-6
UH40190	2-2 THRU 2-6

MODEL No.

- U5172-900
- U5175-900
- UH40155
- UH40185
- UH40190



- * PRICING, SPECIFICATION'S, AND PRODUCT AVAILABILITY ARE SUBJECT TO CHANGE WITHOUT NOTICE. PRICING IS FOB FACTORY, CANTON, OH
- * ALL INFORMATION CONTAINED WITHIN THIS SERVICE MANUAL IS PROPRIETARY INFORMATION OF TTI FLOOR CARE NORTH AMERICA.
- * **WARNING:** TO REDUCE THE RISK OF ELECTRICAL SHOCK OR INJURY, ALWAYS DISCONNECT THE APPLIANCE CORD FROM THE ELECTRICAL OUTLET OR REMOVE BATTERY PRIOR TO SERVICING THE UNIT.

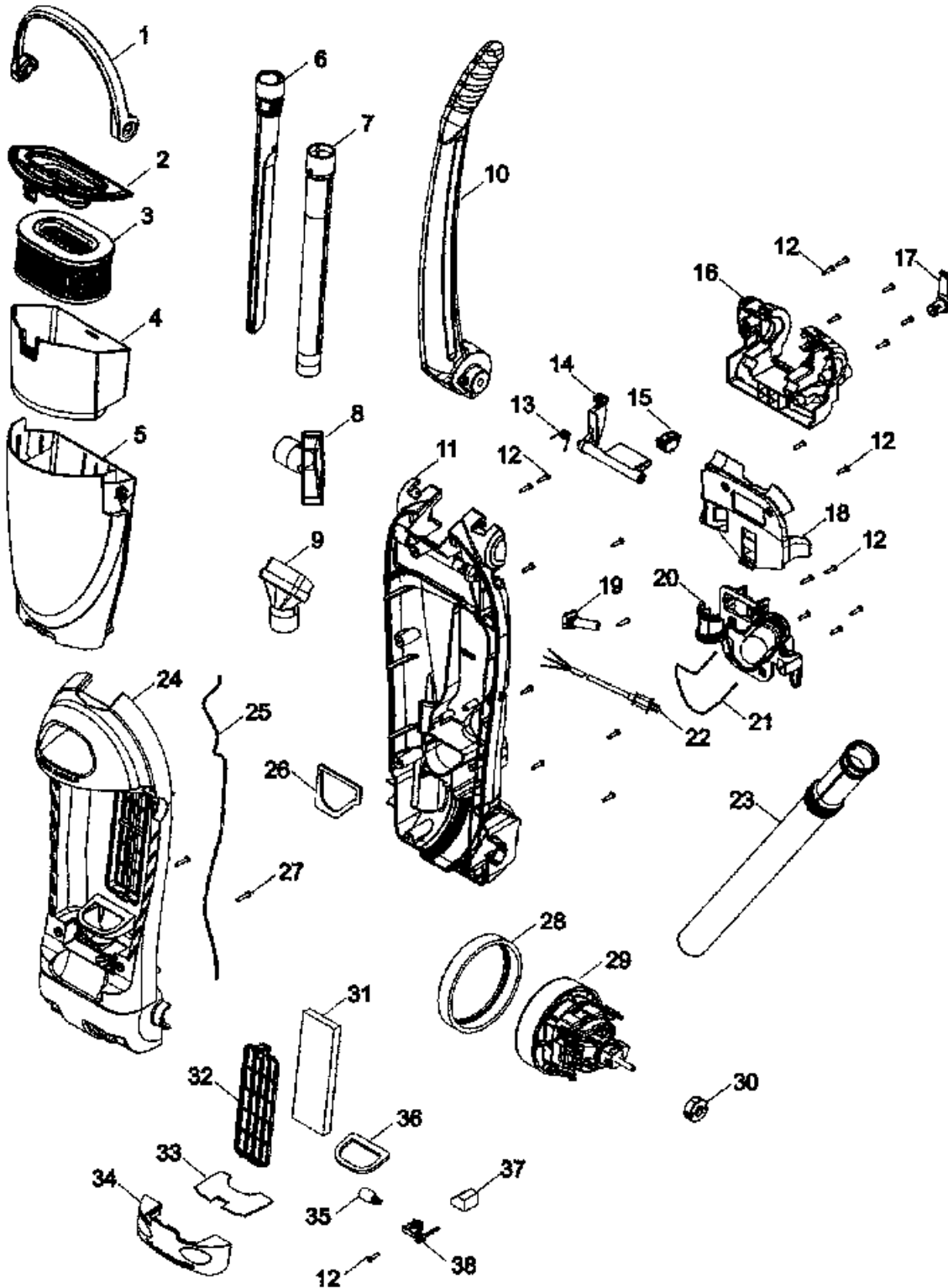


2

ASSEMBLY SCHEMATIC

MODEL NO.

U5172-900
U5175-900
UH40155
UH40185
UH40190





2

PART LISTING / PRICE LIST

ITEM	PART NUMBER	MODELS TO FIT	PART DESCRIPTION	LIST COST
1	39457045	U5172900, U5175900	DIRT CUP CARRY HANDLE	2.26
	39457047	UH40155, UH40185, UH40190	DIRT CUP CARRY HANDLE	2.26
2	37249037	ALL	DIRT CUP LID WITH SEAL	3.39
3	40130050	ALL	CARTRIDGE FILTER	6.99 NON DISC
4	36426065	ALL	FILTER SUPPORT	7.93
5	38775098	U5172900, U5175900	DIRT CUP	34.01
	38775137	UH40155, UH40185, UH40190	DIRT CUP - SMOKE TRANSPARENT LIGHT	
6	38617031	U5172900, U5175900	CREVICE TOOL - LONG	5.66
7	38634092	ALL	EXTENSION TUBE 14"	7.36
8	38614044	ALL	FURNITURE NOZZLE	5.66
9	43414197	U5172900, U5175900	DUSTING BRUSH ASSEMBLY - BLACK	2.68
	4341403J	UH40155, UH40185, UH40190	DUSTING BRUSH ASSEMBLY - GRAPHITE GRAY	
10	39453001	ALL	UPPER HANDLE ASSEMBLY	9.06
11	37255035	U5172900, U5175900	REAR BODY HOUSING	20.40
	37255040	UH40155, UH40185, UH40190	REAR BODY HOUSING	
12	21447242	ALL	SCREW - SELF TAPPING	1.12
13	38355016	ALL	PIVOT LATCH SPRING	1.12
14	92001063	ALL	PIVOT LATCH LEVER	1.46
15	28161075	ALL	SWITCH - 1/4" TERMINAL - TWO BLACK LEADS	2.63
16	37258161	ALL	HANDLE RETAINER COVER	3.39
17	39442048	U5172900, U5175900	CORD WRAP - MAGNESIUM GRAY	1.14
	3944201E	UH40155, UH40185, UH40190	CORD WRAP - DARK CHARCOAL GRAY	
18	36433182	ALL	UPPER TOOL HOLDER	2.03
19	36215028	ALL	CORD PROTECTOR	1.81
20	36433181	ALL	LOWER TOOL HOLDER	1.81
21	38781076	ALL	ROPE SEAL GASKET	1.12
22	91001196	ALL	POWER CORD	8.49
23	43431224	ALL	HOSE ASSEMBLY	17.00

MODEL No.

U5172-900
 U5175-900
 UH40155
 UH40185
 UH40190



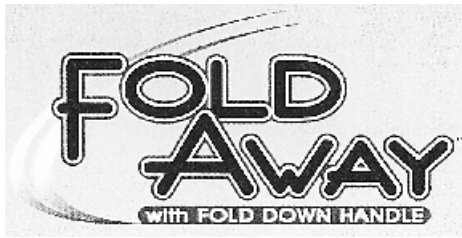
2

PART LISTING / PRICE LIST

ITEM	PART NUMBER	MODELS To FIT	PART DESCRIPTION	LIST COST
24	37254235	U5172-900	FRONT HOUSING - EMERALD	N.L.A.
	37254246	U5175-900	FRONT HOUSING - OYSTER WHITE	N.L.A.
	92001016	U5172900, U5175900	FRONT HOUSING - IRIS BLUE	.50
	37254212	UH40155	FRONT HOUSING - BLACK	
		UH40185	FRONT HOUSING - WHITE	
		UH40190	FRONT HOUSING - SUMMER BLUE	
25	28382094	ALL	THERMAL PROTECTOR	7.48
26	38783032	ALL	DUCT SEAL	1.12
27	214793DA	ALL	SCREW	.57
28	36322037	ALL	MOTOR MOUNT - LARGE	2.59
29	27212057	ALL	MOTOR ASSEMBLY COMPLETE	62.09
30	36322030	ALL	MOTOR MOUNT - SMALL	1.12
31	38766008	U5172900, U5175900	FINAL / EXHAUST FILTER	1.21
32	36426061	U5172900, U5175900	FINAL / EXHAUST FILTER RETAINER	1.12
33	37248005	U5172900, U5175900	BULB ACCESS DOOR	1.12
34	39383118	U5172900, U5175900	DIRT FINDER LENS	2.26
	37246176	UH40155, UH40185, UH40190	HEADLIGHT COVER	
35	27313107	U5172900, U5175900	BULB	3.09
36	38785019	ALL	INLET SEAL	2.26
37	34131019	ALL	WIRE OPENING PLUG	1.12
38	93001830	U5172900, U5175900	LAMP SOCKET ASSEMBLY	N.L.A.
	92001018	U5172-900	WIRING HARNESS ASSEMBLY	N.L.A.
	47173040	U5175-900	WIRING HARNESS ASSEMBLY	4.53
	34131010	ALL	PLUG	1.12
	21447269	ALL	SCREW	.57
	27618508	U5172900, U5175900	WIRE CONNECTOR	1.12
	49811117	ALL	LEAD WIRE - PURPLE	1.12
	49811161	UH40155, UH40185, UH40190	LEAD WIRE - WHITE	
	43434042	ALL	EXTRA HOSE ASSEMBLY - 20' OPTIONAL	34.01

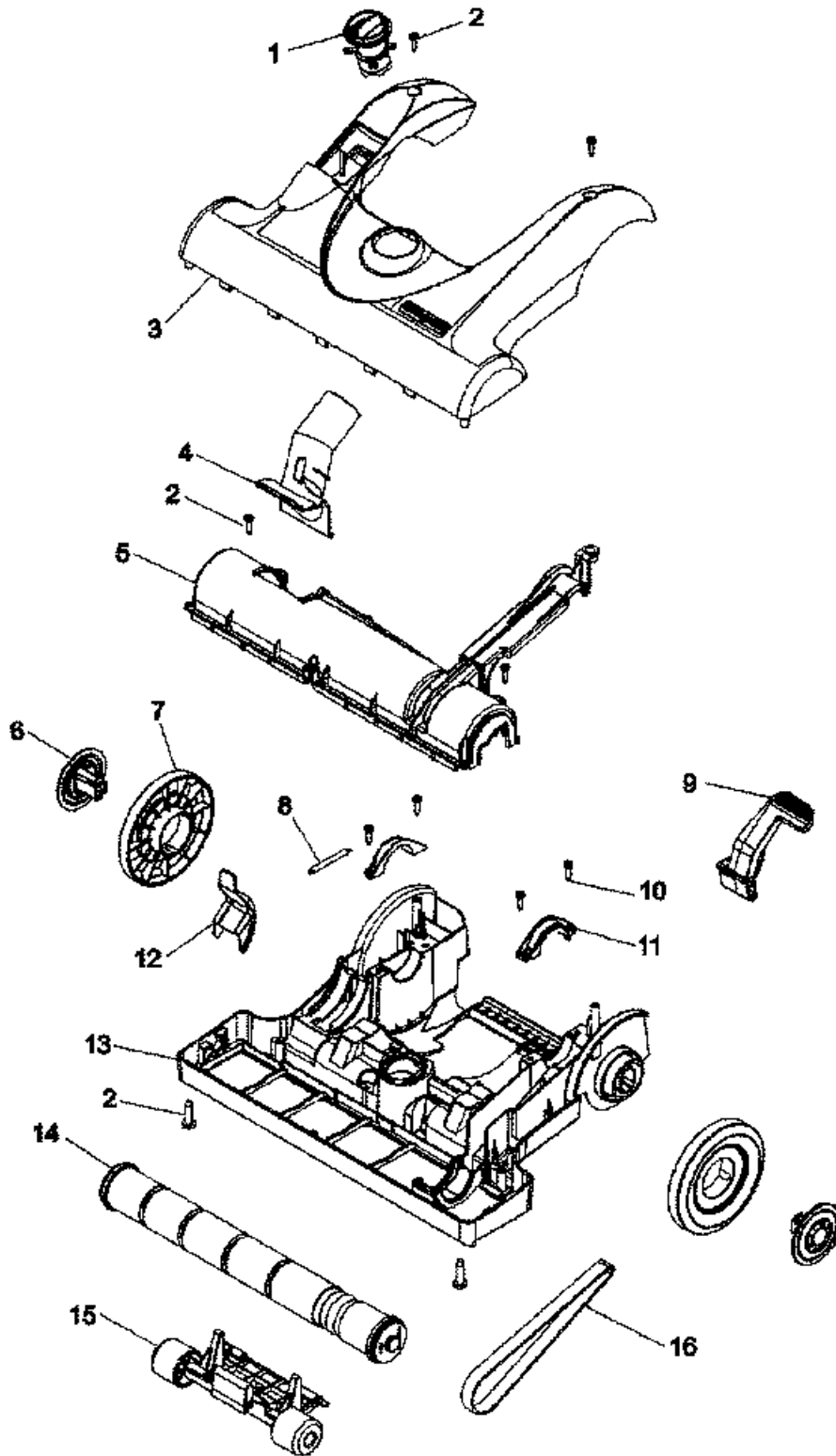
MODEL No.

U5172-900
 U5175-900
 UH40155
 UH40185
 UH40190



2

ASSEMBLY SCHEMATIC



MODEL NO.

- U5172-900
- U5175-900
- UH40155
- UH40185
- UH40190



2

PART LISTING / PRICE LIST

ITEM	PART NUMBER	MODELS TO FIT	PART DESCRIPTION	LIST COST
1	38562022	U5172900, U5175900	NOZZLE HEIGHT ADJUSTMENT CAM - DESERT SAND	1.46
	92001011	UH40155, UH40185, UH40190	NOZZLE HEIGHT ADJUSTMENT CAM - GRAPHITE GRAY	1.69
2	21447072	ALL	SCREW	.57
3	37253A20	U5172-900	HOOD / NOZZLE COVER - EMERALD	6.93
	92001256	U5172-900	HOOD / NOZZLE COVER - SUB / EMERALD	8.49
	37253A43	U5175-900	HOOD / NOZZLE COVER - OYSTER WHITE	15.87
	37253A49	UH40155	HOOD / NOZZLE COVER - BLACK	
		UH40185	HOOD / NOZZLE COVER - WHITE	
		UH40190	HOOD / NOZZLE COVER - SUMMER BLUE	
	51351013	U5172900, U5175900	NAME PLATE	2.59
	51351019	UH40155, UH40185, UH40190	NAME PLATE	
4	38646085	ALL	LOWER DUCT	1.12
5	37243044	ALL	AGITATOR HOUSING	5.66
6	37912018	ALL	WHEEL HUB	1.12
7	38522086	ALL	REAR WHEEL	2.26
8	38335026	ALL	DEBRIS DOOR SPRING	1.12
9	38458070	ALL	HANDLE RELEASE LEVER - BLACK	2.26
10	21447242	ALL	SCREW - SELF TAPPING	1.12
11	36131118	ALL	TRUNNION COVER	1.12
12	37257312	ALL	DEBRIS DOOR	1.12
13	92001255	U5172900, UH40155, UH40185, UH40190	MAIN BODY BASE - DARK CHARCOAL GRAY	14.16
	37242142	U5175-900	MAIN BODY BASE - MAGNESIUM GRAY	19.18
14	48414132	ALL	AGITATOR / BRUSH ROLL - 15" WOODEN	17.25
15	90001005	ALL	FRONT WHEEL ASSEMBLY	4.53
16	38528040	ALL	BELT - 1 PER PACK	2.93

MODEL No.

U5172-900
U5175-900
UH40155
UH40185
UH40190



EmPower™

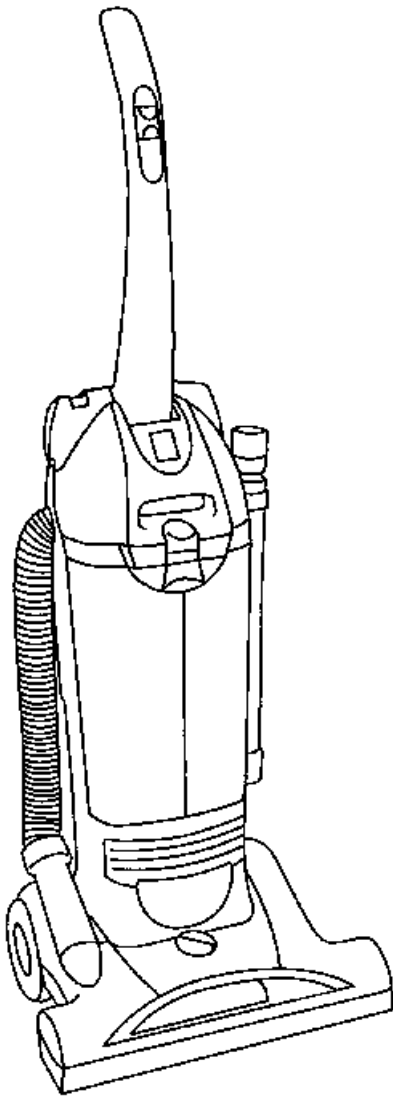
3

SECTION CONTENTS

<u>MODEL No.</u>	<u>PAGE No.</u>
U5262-910	3-2 THRU 3-5
U5265-900	3-2 THRU 3-5
U5269-900	3-2 THRU 3-5

MODEL No.

U5262-910
U5265-900
U5269-900



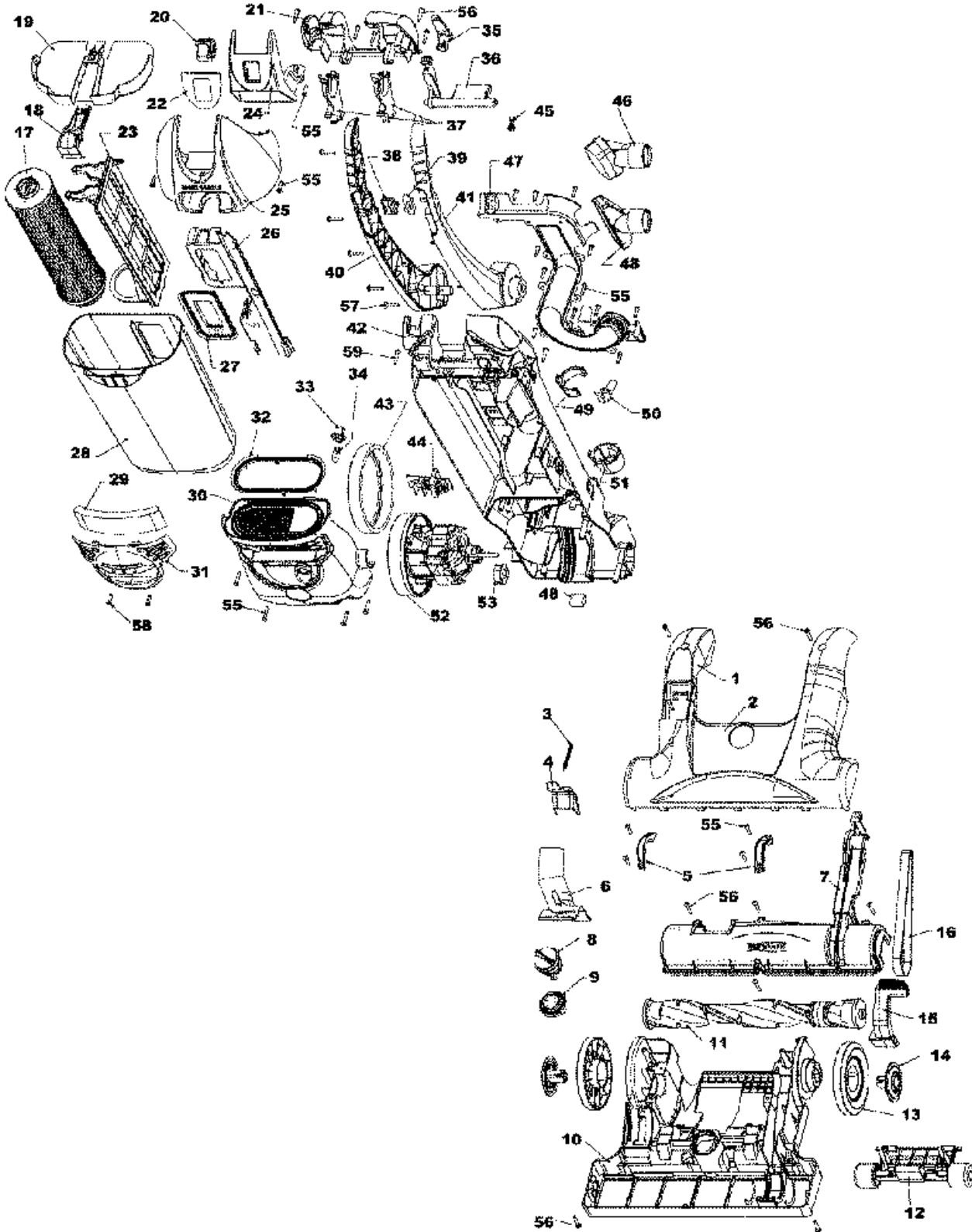
* PRICING, SPECIFICATION'S, AND PRODUCT AVAILABILITY ARE SUBJECT TO CHANGE WITHOUT NOTICE. PRICING IS FOB FACTORY, CANTON, OH

* ALL INFORMATION CONTAINED WITHIN THIS SERVICE MANUAL IS PROPRIETARY INFORMATION OF TTI FLOOR CARE NORTH AMERICA.

* **WARNING:** TO REDUCE THE RISK OF ELECTRICAL SHOCK OR INJURY, ALWAYS DISCONNECT THE APPLIANCE CORD FROM THE ELECTRICAL OUTLET OR REMOVE BATTERY PRIOR TO SERVICING THE UNIT.



ASSEMBLY SCHEMATIC



MODEL No.

U5262-910
U5265-900
U5269-900



EmPower™

3

PART LISTING / PRICE LIST

MODEL No.

ITEM	PART NUMBER	MODELS TO FIT	PART DESCRIPTION	LIST COST
1	37253416	U5262910, U5265900, U5269900	HOOD / NOZZLE COVER - SONIC SILVER	14.74
2	N.A.	U5262910	HOOD NAME PLATE	
3	38335026	U5262910, U5265900, U5269900	DEBRIS DOOR SPRING	1.12
4	37257312	U5262910, U5265900, U5269900	DEBRIS DOOR	1.12
5	36131118	U5262910, U5265900, U5269900	TRUNNION COVER	1.12
6	38646087	U5262910, U5265900, U5269900	LOWER DUCT	2.94
7	37243047	U5262910, U5265900, U5269900	AGITATOR HOUSING	10.20
8	38563021	U5262910, U5265900, U5269900	HEIGHT ADJUSTMENT KNOB	1.46
9	38563022	U5262910, U5265900, U5269900	HEIGHT ADJUSTMENT CAM	2.26
10	37242142	U5262910, U5265900, U5269900	MAIN BODY / NOZZLE BASE - MAGNESIUM GRAY	19.18
11	48414132	U5262910, U5265900, U5269900	AGITATOR / BRUSH ROLL - 15" WOOD	17.25
12	90001005	U5262910, U5265900, U5269900	FRONT WHEEL ASSEMBLY	4.53
13	38522086	U5262910, U5265900, U5269900	REAR WHEEL	2.26
14	37912018	U5262910, U5265900, U5269900	WHEEL HUB	1.12
15	38458070	U5262910, U5265900, U5269900	HANDLE RELEASE LEVER	2.26
16	38528040	U5262910, U5265900, U5269900	BELT - 1 PER PACK	2.93
17	40140201	U5262910, U5265900, U5269900	CARTRIDGE FILTER	16.00 <small>NON DISC</small>
18	92001065	U5262910, U5265900, U5269900	DIRT CUP LID LATCH - GRAPHITE GRAY	1.12
19	37249051	U5262910, U5265900, U5269900	DIRT CUP LID	4.53
20	28166001	U5262910, U5265900, U5269900	SWITCH	4.86
21	37258177	U5262910, U5265900, U5269900	HANDLE RETAINER COVER	3.39
22	91001052	U5262910, U5265900, U5269900	SWITCH MOUNT NAME PLATE	1.12
23	36426067	U5262910, U5265900, U5269900	PRE-FILTER SUPPORT ASSEMBLY	10.20
24	37258178	U5262910, U5265900, U5269900	SWITCH MOUNT	.86
25	39458048	U5262910, U5265900, U5269900	HANDLE COVER SONIC SILVER METALLIC	6.79
26	37258176	U5262910, U5265900, U5269900	WIRE CHANNEL COVER	2.26
27	38785020	U5262910, U5265900, U5269900	DIRT CUP INLET SEAL	2.03
28	38775112	U5262910	DIRT CUP - CORAL ORANGE TRANSPARENT	34.01
	38775113	U5265900	DIRT CUP - PAGEANT BLUE TRANSPARENT	34.01
	38775139	U5269900	DIRT CUP - CALYPSO GREEN TRANSPARENT	22.67
29	38765024	U5262910, U5265900, U5269900	FINAL / EXHAUST FILTER	2.61
30	37196175	U5262910, U5265900, U5269900	MOTOR COVER - SONIC SILVER METALLIC	9.06
31	39383121	U5262910	LENS FINAL FILTER RETAINER	N.L.A.
	39383120	U5265900	LENS FINAL FILTER RETAINER	N.L.A.
	39383122	U5269900	LENS FINAL FILTER RETAINER	N.L.A.

U5262-910
U5265-900
U5269-900



EmPower™

3

PART LISTING / PRICE LIST

ITEM	PART NUMBER	MODELS TO FIT	PART DESCRIPTION	LIST COST
32	38785021	U5262910, U5265900, U5269900	EXHAUST SEAL	1.46
33	27341505	U5262910, U5265900, U5269900	LAMP SOCKET ASSEMBLY	4.53
34	27313107	U5262910, U5265900, U5269900	BULB	3.09
35	39442048	U5262910, U5265900, U5269900	CORD WRAP	1.14
36	92001063	U5262910, U5265900, U5269900	PIVOT LATCH LEVER	1.46
37	36131121	U5262910, U5265900, U5269900	UPPER HANDLE TRUNNION	1.12
38	91001051	U5262910, U5265900, U5269900	SURGE BUTTON	1.12
39	28179106	U5262910, U5265900, U5269900	SURGE SWITCH WITH LEADS	4.53
40	39453003	U5262910, U5265900, U5269900	UPPER HANDLE - RIGHT SIDE	4.86
41	39453004	U5262910, U5265900, U5269900	UPPER HANDLE - LEFT SIDE	4.86
42	37259021	U5262910, U5265900, U5269900	DIRT CUP HOUSING / BACK PANEL	20.40
43	36322037	U5262910, U5265900, U5269900	MOTOR MOUNT - LARGE	2.59
44	46851035	U5262910, U5265900, U5269900	PCB ASSEMBLY	12.46
45	38355016	U5262910, U5265900, U5269900	PIVOT LATCH SPRING	1.12
46	43414197	U5262910, U5265900, U5269900	DUSTING BRUSH ASSEMBLY - BLACK	2.68
47	38656039	U5262910, U5265900, U5269900	DIRT DUCT COVER	4.53
48	38614044	U5262910, U5265900, U5269900	FURNITURE NOZZLE	5.66
49	92001068	U5262910, U5265900, U5269900	UPPER WAND HOLDER USE IF MODELS HAVE TURBO HAND TOOL	1.46
	36433191	U5265900, U5269900	UPPER WAND HOLDER USE IF MODELS DO NOT HAVE TURBO TOOL	1.46
50	36215028	U5262910, U5265900, U5269900	CORD PROTECTOR	1.81
51	92001069	U5262910, U5265900, U5269900	LOWER WAND HOLDER	1.69
52	27212057	U5262910, U5265900, U5269900	MOTOR ASSEMBLY COMPLETE	62.09
53	36322030	U5262910, U5265900, U5269900	MOTOR MOUNT - SMALL	1.12
54	36218023	U5262910, U5265900, U5269900	WIRE GROMMET	1.12
55	21447266	U5262910, U5265900, U5269900	SCREW - SELF TAPPING	1.12
56	21447072	U5262910, U5265900, U5269900	SCREW	.57
57	21447274	U5262910, U5265900, U5269900	SCREW	1.12
58	214793DA	U5262910, U5265900, U5269900	SCREW	.57
59	21447273	U5262910, U5265900, U5269900	SCREW	1.12
	27618508	U5262910, U5265900, U5269900	WIRE CONNECTOR	1.12
	28382097	U5262910, U5265900, U5269900	THERMAL PROTECTOR	7.48
	38617031	U5262910, U5265900, U5269900	CREVICE TOOL - LONG	5.66

MODEL No.

U5262-910
U5265-900
U5269-900



EmPower™

3

PART LISTING / PRICE LIST

ITEM	PART NUMBER	MODELS TO FIT	PART DESCRIPTION	LIST COST
	38634092	U5262910, U5265900, U5269900	EXTENSION TUBE - 14"	7.36
	46383334	U5262910, U5265900, U5269900	POWER CORD - 35'	15.87
	49129032	U5262910, U5265900, U5269900	TURBINE TOOL	14.62
	34123058	U5262910, U5265900, U5269900	PCB SUPPORT	.85
	38781060	U5262910, U5265900, U5269900	GASKET - 35"	1.12
	43431226	U5262910, U5265900, U5269900	HOSE ASSEMBLY	17.00
	91001058	U5262910	UPPER HANDLE NAME PLATE	1.12
	51375137	U5265900, U5269900	UPPER HANDLE NAME PLATE	N.L.A.

MODEL No.

U5262-910

U5265-900

U5269-900



EmPower™

3

NOTES

MODEL NO.

U5262-910

U5265-900

U5269-900

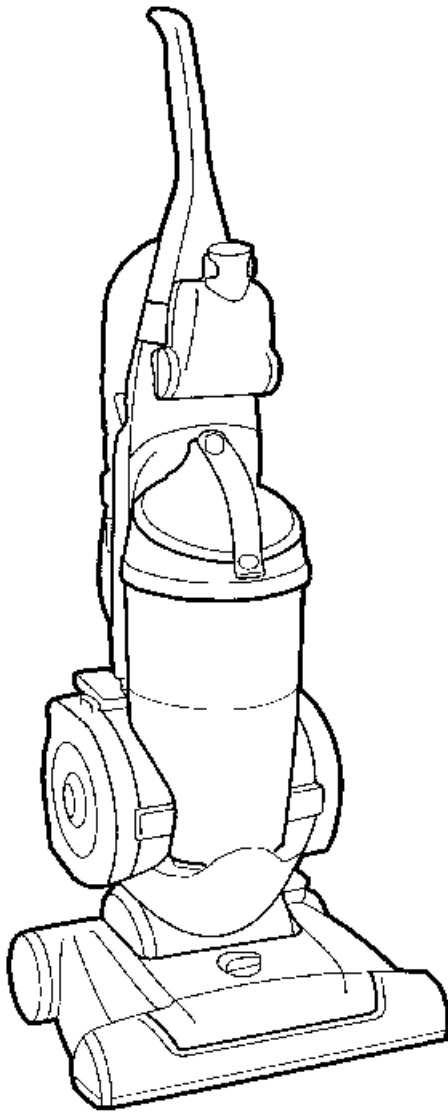


SECTION CONTENTS

<u>MODEL No.</u>	<u>PAGE No.</u>
U5507-900	4-2 THRU 4-10
U5507-950	4-2 THRU 4-10
U5509-900	4-2 THRU 4-10
U5511-900	4-2 THRU 4-10
U5512-900	4-2 THRU 4-10
UH40070	4-2 THRU 4-10
UH40150HD	4-2 THRU 4-10

MODEL No.

U5507-900
U5507-950
U5509-900
U5509-950
U5511-900
U5512-900
UH40070
UH40150HD



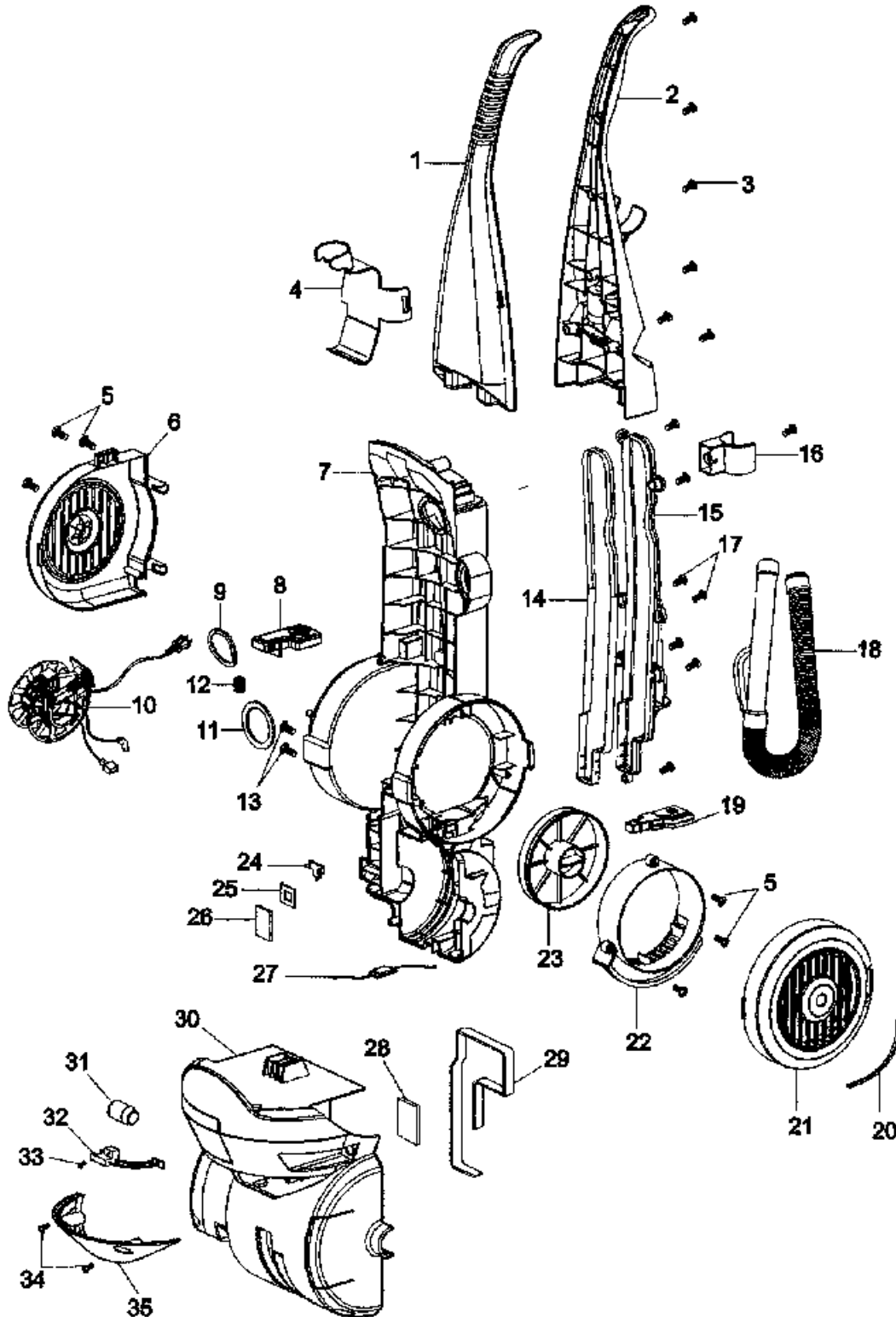
* PRICING, SPECIFICATION'S, AND PRODUCT AVAILABILITY ARE SUBJECT TO CHANGE WITHOUT NOTICE. PRICING IS FOB FACTORY, CANTON, OH

* ALL INFORMATION CONTAINED WITHIN THIS SERVICE MANUAL IS PROPRIETARY INFORMATION OF TTI FLOOR CARE NORTH AMERICA.

* **WARNING:** TO REDUCE THE RISK OF ELECTRICAL SHOCK OR INJURY, ALWAYS DISCONNECT THE APPLIANCE CORD FROM THE ELECTRICAL OUTLET OR REMOVE BATTERY PRIOR TO SERVICING THE UNIT.



ASSEMBLY SCHEMATIC



MODEL NO.

- U5507-900
- U5507-950
- U5509-900
- U5509-950
- U5511-900
- U5512-900
- UH40070
- UH40150HD



4

PART LISTING / PRICE LIST

ITEM	PART NUMBER	MODELS TO FIT	PART DESCRIPTION	LIST COST
1	93002065	U5507900, UH40070	UPPER HANDLE / FRONT - IMPERIAL RED	6.23
	59157109	U5509900	UPPER HANDLE / FRONT - FERRARI RED METALLIC	16.60
	59157127	U5511900	UPPER HANDLE / FRONT - PURPLE METALLIC	16.60
	59157139	U5512900	UPPER HANDLE / FRONT - LAGOON BLUE METALLIC	N.L.A.
		UH40150HD	UPPER HANDLE / FRONT - CRIMSON	N.A.
2	93002066	ALL	UPPER HANDLE / BACK - BLACK	6.23
3	59134089	ALL	BODY SCREW - 20MM X 40MM	.91
4	93002067	U5507900, U5509900, U5511900, UH40150HD	ACCESSORY HOLDER - MAGNESIUM GRAY	2.26
	59157141	U5512900	ACCESSORY HOLDER - MAGNESIUM GRAY	PENDING
5	93001579	ALL	SCREW - 4MM X 16MM - ZINC PLATED	.57
6	59157006	U5507900, UH40070	CORD REEL COVER - IMPERIAL RED	10.73
	59157107	U5509900	CORD REEL COVER - FERRARI RED METALLIC	PENDING
	59157125	U5511900	CORD REEL COVER - PURPLE METALLIC	PENDING
	59157142	U5512900	CORD REEL COVER - LAGOON BLUE METALLIC	PENDING
		UH40150HD	CORD REEL COVER - CRIMSON	N.A.
7	93002068	ALL	BODY BASE / BACK PANEL - BLACK	31.36
8	93002071	U5507900, UH40070	CORD REEL BUTTON - BRIGHT YELLOW	4.86
	59157106	U5509900, U5511900, U5512900, UH40150HD	CORD REEL BUTTON - SANDSTONE GRAY	PENDING
9	59157016	ALL	DIRT CUP SEAL - TANK OUT	N.L.A.
10	93002076	ALL	CORD REEL ASSEMBLY	28.34
11	59157015	ALL	DIRT CUP SEAL - TANK IN	3.08
12	93002077	ALL	COIL SPRING	5.66
13	93001579	ALL	SCREW - 4MM X 16MM - ZINC PLATED	.57
14	59157003	ALL	BACK COVER SEAL	3.08
15	59157002	ALL	BACK COVER	PENDING
16	59157009	ALL	UPPER HOSE HOLDER	N.A.
17	93001579	ALL	SCREW - 4MM X 16MM - ZINC PLATED	.57
18	93002110	ALL	FLEXIBLE HOSE ASSEMBLY - BLACK	6.79
19	93002070	U5507900, UH40070	POWER SWITCH COVER - BRIGHT YELLOW	5.66
	59157105	U5509900, U5511900, U5512900, UH40150HD	POWER SWITCH COVER - SANDSTONE GRAY	N.A.

MODEL No.

U5507-900
U5507-950
U5509-900
U5509-950
U5511-900
U5512-900
UH40070
UH40150HD



4

PART LISTING / PRICE LIST

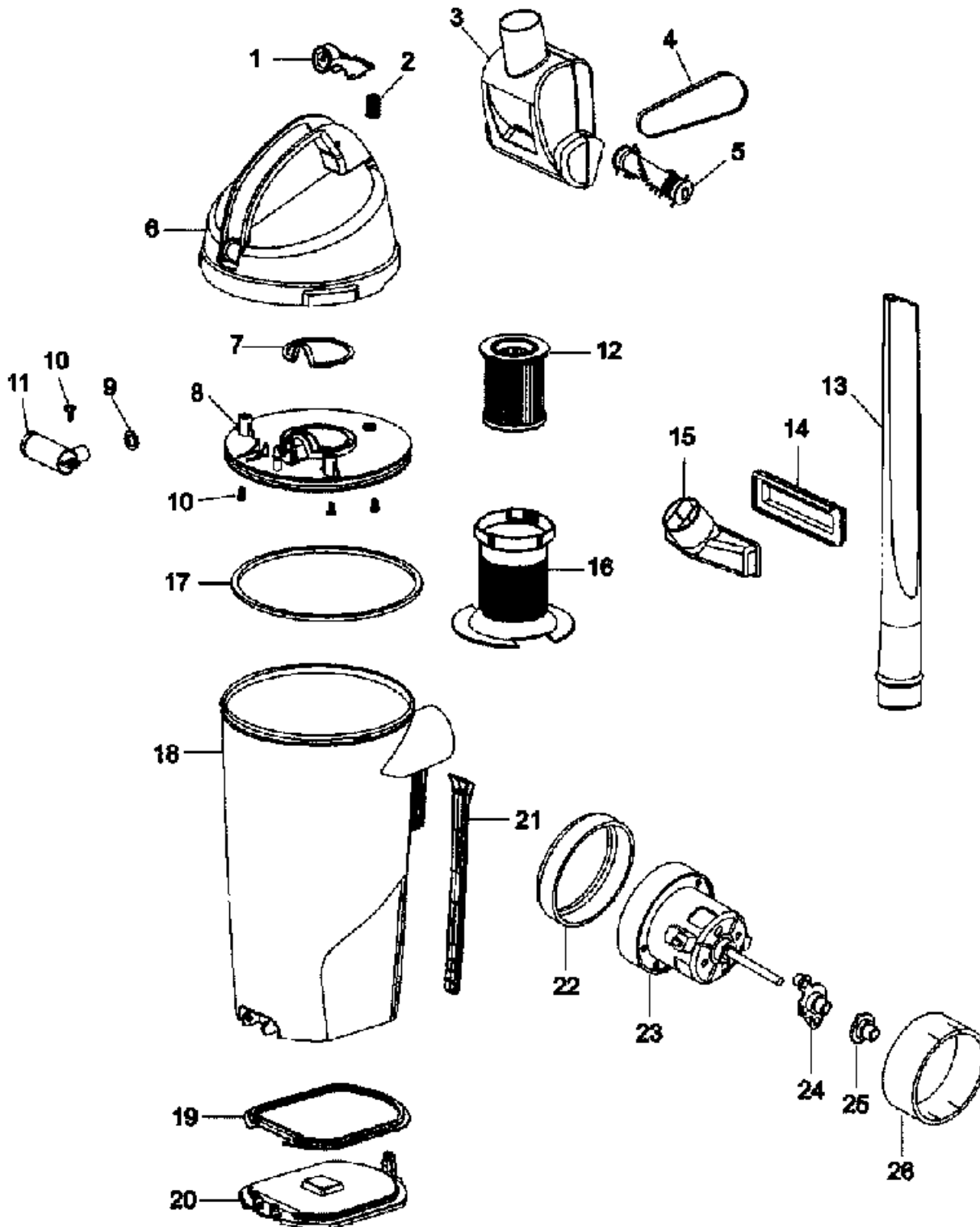
ITEM	PART NUMBER	MODELS TO FIT	PART DESCRIPTION	LIST COST
20	N.A.	ALL	EXHAUST SEAL	N.A.
21	93002073	U5507900, UH40070	EXHAUST FILTER COVER - IMPERIAL RED	7.36
	59157108	U5509900	EXHAUST FILTER COVER - FERRARI RED METALLIC	PENDING
	59157126	U5511900	EXHAUST FILTER COVER - PURPLE METALLIC	PENDING
	59157143	U5512900	EXHAUST FILTER COVER - LAGOON BLUE METALLIC	PENDING
		UH40150HD	EXHAUST FILTER COVER - CRIMSON	N.A.
22	59157008	ALL	EXHAUST GUIDE	PENDING
23	59157014	ALL	EXHAUST FILTER ASSEMBLY	6.29
24	93002080	ALL	POWER SWITCH ASSEMBLY	8.32
25	59157017	ALL	SWITCH SEAL	3.08
26	59157096	ALL	CORD REEL SEAL	3.08
27	93002078	ALL	CONNECTOR ASSEMBLY	7.93
28	59157023	ALL	LAMP SEAL	3.08
29	59157097	ALL	MOTOR COVER SEAL	3.08
30	59157019	ALL	MOTOR COVER - BLACK	16.94
31	27313107	ALL	BULB	3.09
32	59155067	ALL	LAMP HOLDER ASSEMBLY	3.39
33	59155036	ALL	SCREW - SELF TAPPING / PAN HEAD - BLACK	1.12
34	93001579	ALL	SCREW - 4MM X 16MM - ZINC PLATED	.57
35	59157020	ALL	LIGHT COVER	PENDING

MODEL No.

U5507-900
U5507-950
U5509-900
U5509-950
U5511-900
U5512-900
UH40070
UH40150HD



ASSEMBLY SCHEMATIC



MODEL NO.

- U5507-900
- U5507-950
- U5509-900
- U5509-950
- U5511-900
- U5512-900
- UH40070
- UH40150HD



4

PART LISTING / PRICE LIST

MODEL No.

ITEM	PART NUMBER	MODELS TO FIT	PART DESCRIPTION	LIST COST
1	93002091	U5507900, UH40070	DIRT CUP LID LATCH - BRIGHT YELLOW	2.21
	59157113	U5509900, U5511900, U5512900, UH40150HD	DIRT CUP LID LATCH - SANDSTONE GRAY	N.A.
2	93002092	ALL	SPRING - DIRT CUP LATCH	5.66
3	59157029	ALL	TURBINE TOOL ASSEMBLY - DARK CHARCOAL	13.91
4	59157045	ALL	TURBINE TOOL BELT	N.L.A.
5	59157035	ALL	TURBINE TOOL BRUSH ROLL ASSEMBLY	7.80
6	93002093	U5507900, UH40070	DIRT CUP LID - IMPERIAL RED	5.66
	59157112	U5509900	DIRT CUP LID - FERRARI RED METALLIC	N.A.
	59151729	U5511900	DIRT CUP LID - PURPLE METALLIC	N.A.
		U5512900	DIRT CUP LID - LAGOON BLUE METALLIC	N.A.
		UH40150HD	DIRT CUP LID - CRIMSON	N.A.
7	93002094	ALL	DIRT CUP LID SEAL	2.03
8	93002095	U5507900, U5509900, UH40070, UH40150HD	DIRT CUP LID PLATE	5.66
	59157133	U5511900	DIRT CUP LID PLATE	N.A.
		U5512900	DIRT CUP LID PLATE	N.A.
9	93002103	ALL	INDICATOR SEAL	1.92
10	59157036	ALL	SCREW - 3MM X 16MM	N.A.
11	93002102	ALL	INDICATOR ASSEMBLY	2.59
12	59157055	ALL	FILTER ASSEMBLY - DIRT CUP	12.60
13	59157086	ALL	CREVICE TOOL - BLACK	5.09
14	93002109	ALL	BRUSH ASSEMBLY FRAME	4.53
15	59157093	ALL	UPHOLSTERY TOOL - BLACK	5.09
16	93002097	U5507900, UH40070	FILTER BAFFLE - BRIGHT YELLOW	2.26
	59157114	ALL	FILTER BAFFLE - SANDSTONE GRAY	2.26
17	93002096	ALL	DIRT CUP LID SEAL	2.03
18	93002098	ALL	DIRT CUP / DUST TANK - CLEAR	5.93
19	93002100	ALL	DIRT CUP BOTTOM SEAL	2.03
20	93002101	ALL	DIRT CUP DOOR	5.43
21	93002099	ALL	DIRT CUP DOOR RELEASE BUTTON	5.43
22	93002104	ALL	MOTOR MOUNT	9.45

U5507-900
 U5507-950
 U5509-900
 U5509-950
 U5511-900
 U5512-900
 UH40070
 UH40150HD



4

PART LISTING / PRICE LIST

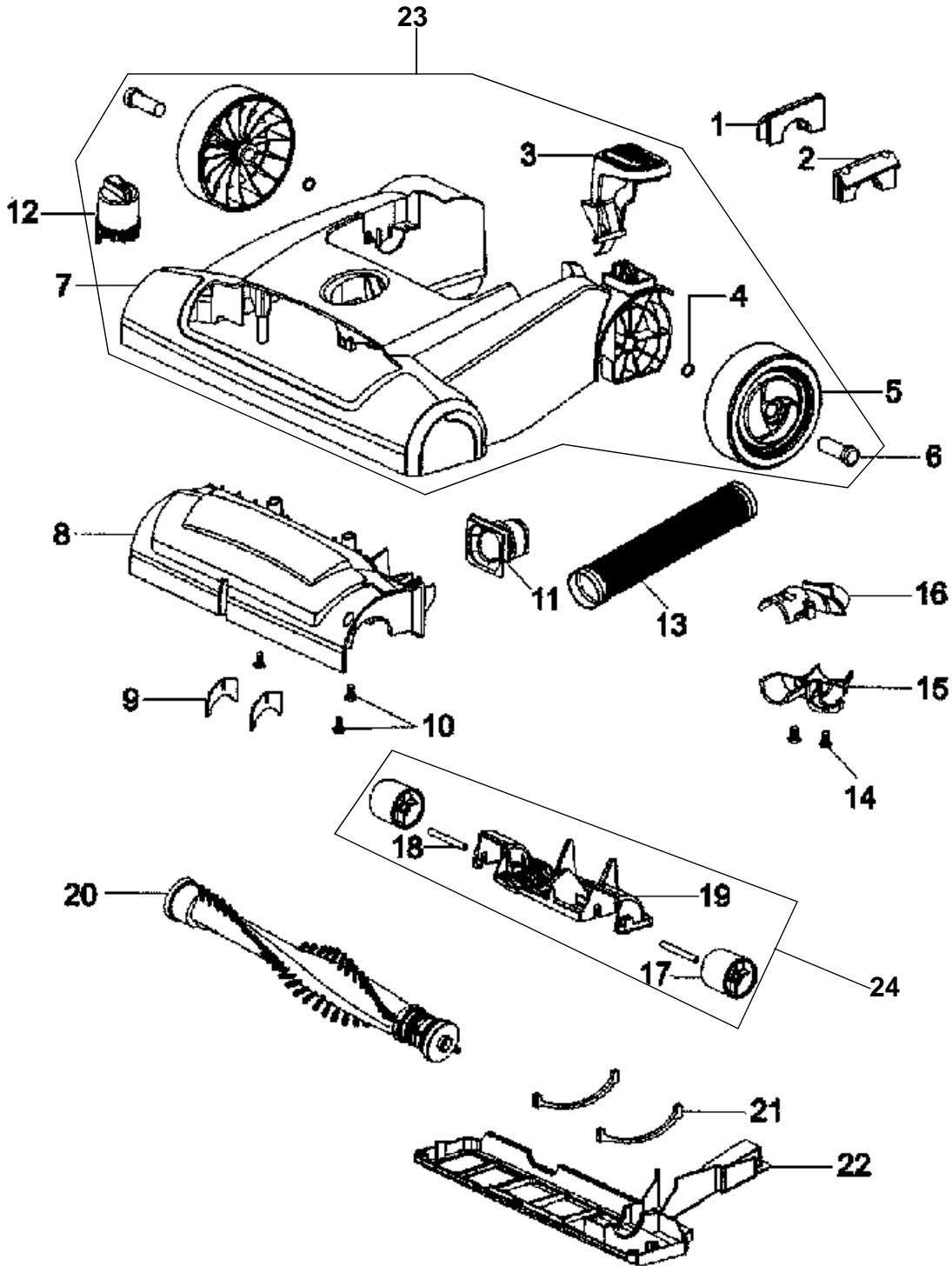
ITEM	PART NUMBER	MODELS TO FIT	PART DESCRIPTION	LIST COST
23	93002105	U5507900, UH40070, UH40150HD	MOTOR ASSEMBLY	68.03
	59157138	U5509900, U5511900, U5512900	MOTOR ASSEMBLY	72.46
24	93002106	ALL	MOTOR SUPPORT	N.A.
25	93002107	ALL	MOTOR SEAL	N.A.
26	93002108	ALL	MOTOR - FOAM SOUND ABSORBER	N.A.

MODEL No.

U5507-900
 U5507-950
 U5509-900
 U5509-950
 U5511-900
 U5512-900
 UH40070
 UH40150HD



ASSEMBLY SCHEMATIC



MODEL NO.

- U5507-900
- U5507-950
- U5509-900
- U5509-950
- U5511-900
- U5512-900
- UH40070
- UH40150HD



4

PART LISTING / PRICE LIST

ITEM	PART NUMBER	MODELS To FIT	PART DESCRIPTION	LIST COST
1	93002113	U5507900, U5509900, UH40070	PIVOT CLAMP / LEFT - IMPERIAL RED	4.53
	59157132	U5511900	PIVOT CLAMP / LEFT - PURPLE METALLIC	N.A.
		U5512900	PIVOT CLAMP / LEFT - LAGOON BLUE METALLIC	N.A.
		UH40150HD	PIVOT CLAMP / LEFT - CRIMSON	N.A.
2	93002114	U5507900, U5509900, UH40070	PIVOT CLAMP / RIGHT - IMPERIAL RED	5.43
	59157131	U5511900	PIVOT CLAMP / RIGHT - PURPLE METALLIC	N.A.
		U5512900	PIVOT CLAMP / RIGHT - LAGOON BLUE METALLIC	N.A.
		UH40150HD	PIVOT CLAMP / RIGHT - CRIMSON	N.A.
3	93002115	U5507900, UH40070	RELEASE PEDAL - BRIGHT YELLOW	5.66
	59157116	U5509900, U5511900, U5512900, UH40150HD	RELEASE PEDAL - SANDSTONE GRAY	9.45
4	59155119	ALL	E-CLIP	1.12
5	93002112	ALL	REAR WHEEL - BLACK	5.66
6	59155086	ALL	REAR WHEEL SHAFT	4.53
7	93002111	U5507900, UH40070	NOZZLE COVER ASSEMBLY - IMPERIAL RED	46.48
	59157115	U5509900	NOZZLE COVER ASSEMBLY - FERRARI RED CAN SUB WITH 93002111	N.L.A.
	59157130	U5511900	NOZZLE COVER ASSEMBLY - PURPLE METALLIC	N.A.
		U5512900	NOZZLE COVER ASSEMBLY - LAGOON BLUE	N.A.
		UH40150HD	NOZZLE COVER ASSEMBLY - CRIMSON	N.A.
8	93002122	ALL	BRUSH VIEW WINDOW - CLEAR	5.66
9	93002123	ALL	NOZZLE HOUSING SEAL	2.26
10	93002128	ALL	SCREW - SELF TAPPING M3 X 8	N.L.A.
11	93002116	ALL	LOWER HOSE GUIDE	N.A.
12	93002119	U5507900, UH40070	HEIGHT ADJUST KNOB - BRIGHT YELLOW	N.A.
	59157117	U5509900, U5511900, U5512900, UH40150HD	HEIGHT ADJUST KNOB - SANDSTONE GRAY	N.A.
13	59157021	ALL	LOWER HOSE	11.27
14	59157036	ALL	SCREW - SELF TAPPING - 3MM X 16MM	N.L.A.
15	93002118	ALL	LOWER HOSE HOLDER - BOTTOM	N.A.
16	93002117	ALL	LOWER HOSE HOLDER - TOP	5.66
17	59155082	ALL	FRONT ROLLER WHEEL - ORDER 93002571	N.L.A.

MODEL No.

U5507-900
 U5507-950
 U5509-900
 U5509-950
 U5511-900
 U5512-900
 UH40070
 UH40150HD



4

PART LISTING / PRICE LIST

ITEM	PART NUMBER	MODELS To FIT	PART DESCRIPTION	LIST COST
18	93002121	ALL	FRONT ROLLER WHEEL SHAFT	2.59
19	93002120	ALL	FRONT ROLLER LIFTER	5.66
20	93002124	ALL	BRUSH ROLL ASSEMBLY	11.33
21	93002126	ALL	NOZZLE GUARD SEAL	2.03
22	93002125	ALL	NOZZLE GUARD ASSEMBLY	5.66
23	93007900	ALL	NOZZLE COVER ASSEMBLY - FERRARI RED	33.47
	304067001	U5512900	NOZZLE COVER ASSEMBLY - LAGOON BLUE	PENDING
24	93002571	ALL	ROLLER LIFTER ASSEMBLY	13.20
	38528040	ALL	BELT - 1 PER PACK	2.93

MODEL No.

U5507-900
 U5507-950
 U5509-900
 U5509-950
 U5511-900
 U5512-900
 UH40070
 UH40150HD

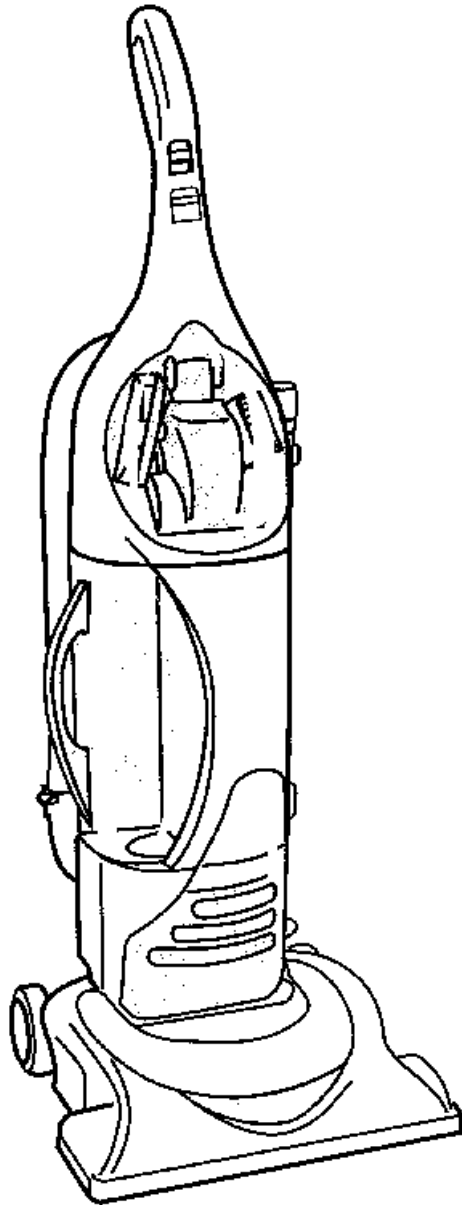


SAVVY™
SAVVY
2-in-1 BAGGED & BAGLESS

WindTunnel
BAGGED & BAGLESS

5

SECTION CONTENTS



<u>MODEL No.</u>	<u>PAGE No.</u>
U8125-900	5-2 THRU 5-8
U8125-960	5-2 THRU 5-8
U8135-900	5-2 THRU 5-8
U8145-900	5-2 THRU 5-8
U8150-900	5-2 THRU 5-8
U8151-900	5-2 THRU 5-8
U8153-900	5-2 THRU 5-8
U8155-900	5-2 THRU 5-8
U8157-900	5-2 THRU 5-8
U8161-900	5-2 THRU 5-8
U8193-900	5-2 THRU 5-8
U8172-900	5-9 THRU 5-13
U8174-900	5-9 THRU 5-13
U8181-900	5-14 THRU 5-20
U8187-900	5-14 THRU 5-20
U8188-900	5-14 THRU 5-20
UH40110	5-14 THRU 5-20

MODEL No.

U8125-900
U8125-960
U8135-900
U8145-900
U8150-900
U8151-900
U8153-900
U8155-900
U8157-900
U8161-900
U8163-900
U8172-900
U8174-900
U8181-900
U8187-900
U8188-900
UH40110

* PRICING, SPECIFICATION'S, AND PRODUCT AVAILABILITY ARE SUBJECT TO CHANGE WITHOUT NOTICE. PRICING IS FOB FACTORY, CANTON, OH

* ALL INFORMATION CONTAINED WITHIN THIS SERVICE MANUAL IS PROPRIETARY INFORMATION OF TTI FLOOR CARE NORTH AMERICA.

* **WARNING:** TO REDUCE THE RISK OF ELECTRICAL SHOCK OR INJURY, ALWAYS DISCONNECT THE APPLIANCE CORD FROM THE ELECTRICAL OUTLET OR REMOVE BATTERY PRIOR TO SERVICING THE UNIT.

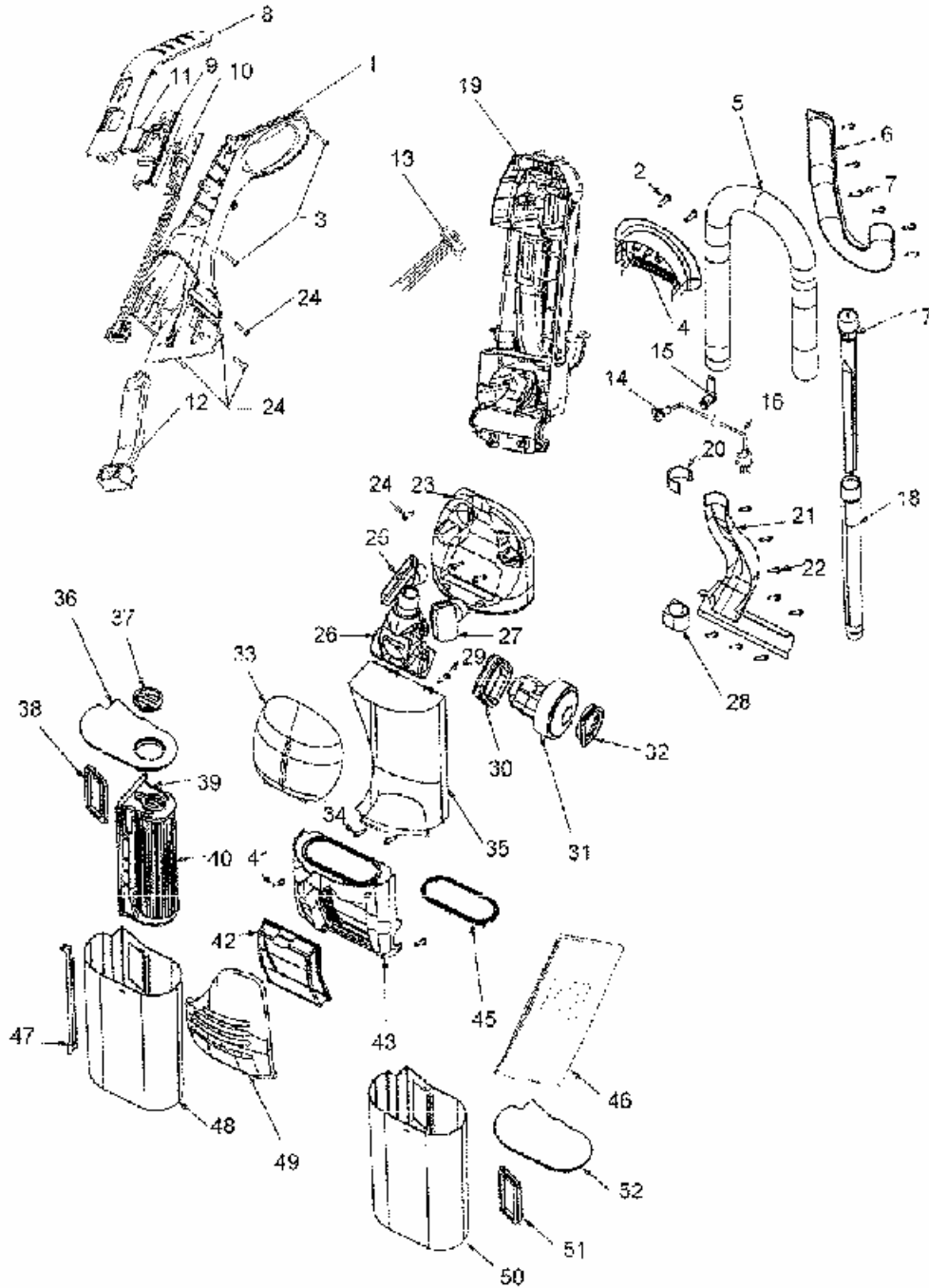


SAVVY™

SAVVY™
2^{IN}1 BAGGED
& BAGLESS

5

ASSEMBLY SCHEMATIC UPPER BODY



MODEL NO.

- U8125-900
- U8125-960
- U8135-900
- U8145-900
- U8150-900
- U8151-900
- U8153-900
- U8155-900
- U8157-900
- U8161-900
- U8163-900



5

PART LISTING / PRICE LIST

MODEL No.

ITEM	PART NUMBER	MODELS TO FIT	PART DESCRIPTION	LIST COST
1	39466094	ALL	UPPER HANDLE ASSEMBLY	6.92
2	214472ED	ALL	SCREW - SELF TAPPING	.58
3	214472ED	U8125900, U9125900	SCREW - SELF TAPPING	.58
	21447236	U8135900, U8150900, U8151900, U8153900, U8155900, U8157900, U8161900, U8163900	SCREW	1.12
4	36433196	ALL	UPPER HOSE HOLDER - GRAPHITE GRAY	3.39
5	43431227	U8125900, U8135900, U8151900, U8153900, U8155900, U8157900, U8161900, U8163900	HOSE ASSEMBLY COMPLETE - BLACK/GRAPHITE GRAY	17.00
	43434031	U8125960	HOSE ASSEMBLY COMPLETE	19.83
	91001045	U8150900	HOSE ASSEMBLY COMPLETE - WITH BAG	22.67
	43434042	U8135900, U8151900, U8153900, U8155900, U8157900, U8161900, U8163900	EXTRA HOSE ASSEMBLY - STANDARD	34.01
6	38646088	ALL	DIRT DUCT COVER - GRAPHITE GRAY	4.53
7	21447242	ALL	SCREW - SELF TAPPING	1.12
8	39454079	ALL	HANDLE GRIP - SILVER QUARTZ METALLIC	2.26
9	38421112	ALL	SWITCH BUTTON - GRAPHITE GRAY	1.81
10	27854033	ALL	SWITCH/CIRCUIT BOARD ORDER 48663238 COMPLETE HANDLE ASSY	N.L.A.
11	39383124	ALL	LENS - HANDLE GRIP	2.26
	92001057	U5150900	LENS - HANDLE GRIP	3.96
12	36911006	ALL	CONNECTOR MOUNT	1.12
13	46651004	ALL	RECEPTACLE/HARNESS	N.L.A.
14	36215028	ALL	CORD PROTECTOR	1.81
15	39442048	ALL	CORD WRAP - GRAPHITE GRAY	1.14
16	46383334	ALL	ATTACHMENT CORD - 35'	15.87
17	38617031	ALL	CREVICE TOOL / LONG - GRAPHITE GRAY	5.66
18	38634078	ALL	EXTENSION TUBE - BLACK	6.79
19	37259022	ALL	UPPER HOUSING - GRAPHITE GRAY	27.21
20	36433197	ALL	UPPER WAND HOLDER - GRAPHITE GRAY	1.46
21	38683018	ALL	TRUNNION DUCT - GRAPHITE GRAY	4.53
22	21447242	ALL	SCREW - SELF TAPPING	1.12

U8125-900
U8125-960
U8135-900
U8145-900
U8150-900
U8151-900
U8153-900
U8155-900
U8157-900
U8161-900
U8163-900



5

PART LISTING / PRICE LIST

ITEM	PART NUMBER	MODELS TO FIT	PART DESCRIPTION	LIST COST
23	36433202	U8135900	TOOL HOLDER - MERLOT METALLIC	N.L.A.
	36433201	U8145900	TOOL HOLDER - SEAFOAM BLUE METALLIC	N.L.A.
		U8150900	TOOL HOLDER - LACQUER RED METALLIC	
	36433178	U8125900, U8125960, U8150900, U8153900	TOOL HOLDER - BLACK	5.66
	36433183	U8151900	TOOL HOLDER - PEWTER / BLACK	N.L.A.
	36433204	U8150900, U8155900	TOOL HOLDER - BLACK	5.66
	36433200	U8157900	TOOL HOLDER - ICE BLUE METALLIC	6.23
	36433199	U8161900	TOOL HOLDER - MULBERRY METALLIC ORDER 36433178 - BLACK	N.L.A.
	36433195	U8163900	TOOL HOLDER - SAGE GREEN METALLIC	N.L.A.
24	214472ED	U8125900, U8125960	SCREW - SELF TAPPING	.58
	21447072	ALL - EXCEPT U8125900, U8125960	SCREW	.57
25	38614044	ALL	FURNITURE NOZZLE - GRAPHITE GRAY	5.66
26	49129032	ALL	TURBINE HAND TOOL	14.62
27	43414197	ALL	DUSTING BRUSH ASSEMBLY - BLACK	2.68
28	36433194	ALL	LOWER WAND HOLDER - GRAPHITE GRAY	1.69
29	21447242	ALL	SCREW - SELF TAPPING	1.12
30	36322036	ALL	MOTOR MOUNT - MIDDLE	2.59
31	27212053	ALL	SUCTION MOTOR	N.L.A.
31	91001027	ALL	THERMAL PROTECTOR	5.66
32	38785018	ALL	MOTOR FACE SEAL - BLACK	1.81
33	37257281	ALL	TOOL DOOR - CLEAR	4.53
34	21447242	ALL	SCREW - SELF TAPPING	1.12
35	37249061	U8135900	FRONT PANEL - MERLOT METALLIC	N.L.A.
	37249062	U8145900	FRONT PANEL - SEAFOAM BLUE METALLIC	N.L.A.
		U8150900	FRONT PANEL - LACQUER RED METALLIC	N.L.A.
	37249036	U8125900, U8125960, U8150900, U8153900	FRONT PANEL - BLACK ORDER 37249033 BLACK	N.L.A.
	37249058	U8151900	FRONT PANEL - PEWTER METALLIC	9.06
	37249060	U8150900, U8155900	FRONT PANEL - BLACK	N.L.A.
	37249063	U8157900	FRONT PANEL - ICE BLUE METALLIC	10.20
	37249064	U8161900	FRONT PANEL - MULBERRY METALLIC	N.L.A.
	37249056	U8163900	FRONT PANEL - SAGE GREEN METALLIC	11.90

MODEL No.

U8125-900
U8125-960
U8135-900
U8145-900
U8150-900
U8151-900
U8153-900
U8155-900
U8157-900
U8161-900
U8163-900



SAVVY™

SAVVY™
2^{IN}1 BAGGED & BAGLESS

5

PART LISTING / PRICE LIST

ITEM	PART NUMBER	MODELS TO FIT	PART DESCRIPTION	LIST COST
36	37249095	ALL - BAGLESS	DIRT CUP LID - GRAPHITE GRAY	4.41
37	38411013	ALL - BAGLESS	KNOB CART FILTER - BLACK	2.03
38	38783029	ALL - BAGLESS	DIRT CUP INLET SEAL - BLACK	1.81
39	36426069	ALL	PRE-FILTER ASSEMBLY - BLACK	9.52
40	40140201	ALL - BAGLESS	CARTRIDGE FILTER	16.00 NON DISC
41	21447230	ALL	SCREW - SELF TAPPING	1.12
42	93002017	ALL - BAGLESS	FINAL FILTER	11.49
43	37196183	U8135900	MOTOR COVER - MERLOT METALLIC	N.L.A.
	37196182	U8145900	MOTOR COVER - SEAFOAM BLUE METALLIC	N.L.A.
		U8150900	MOTOR COVER - LACQUER RED METALLIC	
	37196184	U8125900, U8125960, U8150900, U8153900	MOTOR COVER - SILVER QUARTZ METALLIC	9.06
	37196171	U8151900	MOTOR COVER - PEWTWER METALLIC	N.L.A.
	37196169	U8150900, U8155900	MOTOR COVER - BLACK	9.06
	37196179	U8157900	MOTOR COVER - ICE BLUE METALLIC	9.06
	37196178	U8161900	MOTOR COVER - MULBERRY METALLIC	10.20
	37196177	U8163900	MOTOR COVER - SAGE GREEN TRANSPARENT	9.06
44	21447230	ALL	SCREW - SELF TAPPING	1.12
45	38785017	ALL	EXHAUST SEAL - BLACK	1.46
46	4010801Y	ALL - BAGGED	TYPE Y HEPA BAG - 2 PACK	4.95 NON DISC
	AH10040	ALL - BAGGED	TYPE Y HEPA BAG - 2 PACK	4.95 NON DISC
	AH10165	ALL - BAGGED	TYPE Y HEPA CARBON BAG - 2 PACK	5.49 NON DISC
47	39512023	ALL - BAGLESS	EXPULSION BLADE	1.12
48	38775094	ALL - BAGLESS	DIRT CUP SERVICE	22.67
49	38769017	ALL	FINAL FILTER DOOR - TRANSPARENT GRAY LT	2.86
50	37256005	ALL	BAG CONTAINER INCLUDES #46 - MIST GRAY TRANSPARENT	29.47
51	38783035	ALL	BAG INLET SEAL - NEUTRAL	2.26
52	37249065	ALL - BAGGED	BAG CONTAINER LID - GRAPHITE GRAY	N.L.A.
53	46512004	ALL	CORD - STRIPPED	6.00
	36424005	ALL	BAG ADAPTER - BLACK	2.26
	34163016	ALL	MUFFLER FOAM	1.81
	38781078	ALL	SEAL - FRONT MOTOR COVER	1.12
	38781060	ALL	GASKET 35" - CUT TO FIT	1.12

MODEL No.

U8125-900
U8125-960
U8135-900
U8145-900
U8150-900
U8151-900
U8153-900
U8155-900
U8157-900
U8161-900
U8163-900

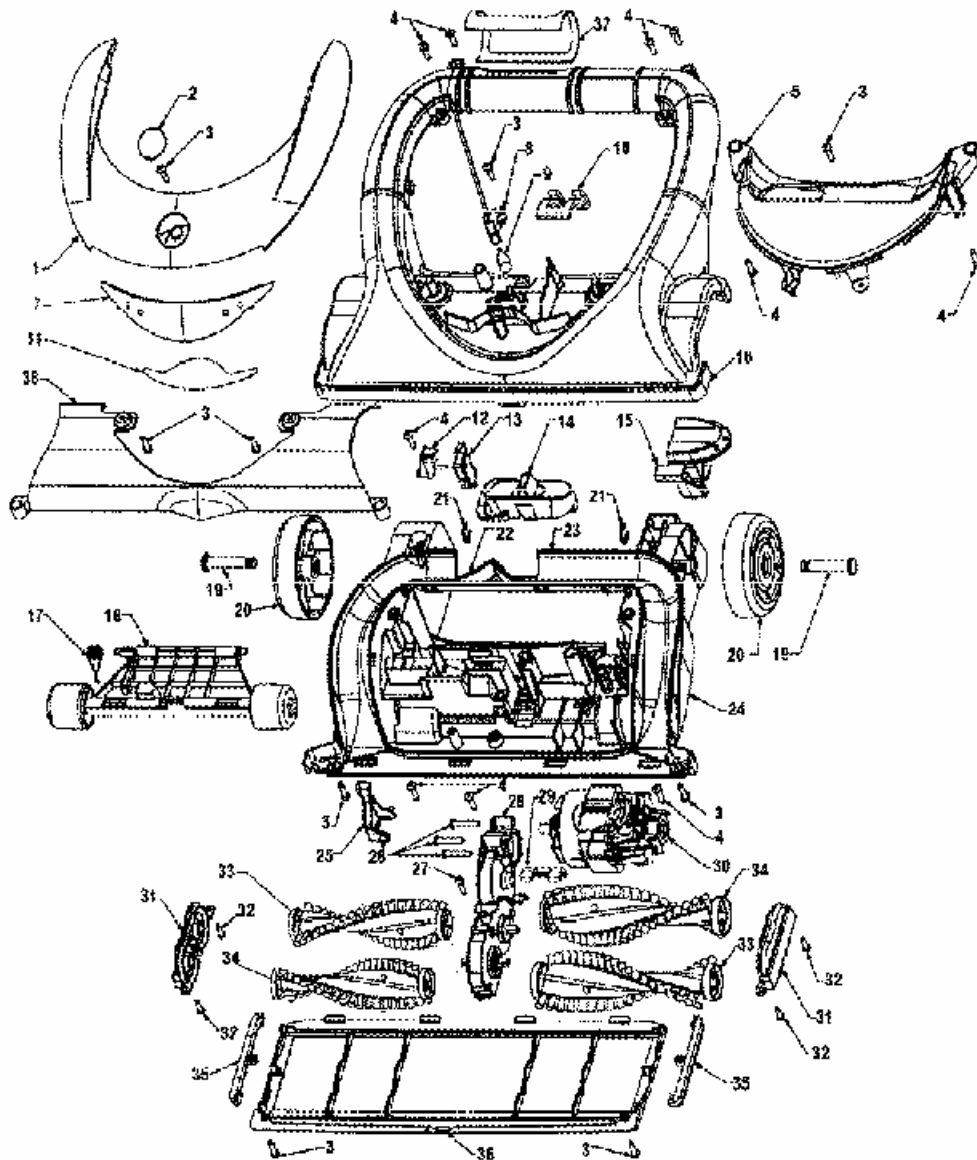


SAVVY™

SAVVY™
2^{IN}1 BAGGED
& BAGLESS

5

ASSEMBLY SCHEMATIC FOOT / NOZZLE BASE



MODEL NO.

- U8125-900
- U8125-960
- U8135-900
- U8145-900
- U8150-900
- U8151-900
- U8153-900
- U8155-900
- U8157-900
- U8161-900
- U8163-900



SAVVY™

SAVVY™
2^{IN}1 BAGGED & BAGLESS

5

PART LISTING / PRICE LIST

ITEM	PART NUMBER	MODELS TO FIT	PART DESCRIPTION	LIST COST
1	37251014	U8125900, U8125960, U8135900, U8150900, U8151900, U8153900, U8155900	HOOD - SILVER QUARTZ METALLIC	9.06
	37251017	U8145900	HOOD - SURF BLUE TRANS ORDER 37251007	N.L.A.
		U8150900	HOOD - LACQUER RED METALLIC	N.A.
	37251009	U8151900	HOOD - PEWTER METALLIC	N.L.A.
	37251007	U8150900, U8155900	HOOD - BLACK	4.86
	37251015	U8157900	HOOD - MULBERRY METALLIC	9.06
	37251013	U8163900	HOOD - GREEN SAGE METALLIC ORDER 37251007 - BLACK	N.L.A.
2	51661020	U8163900	MEDALLION	1.46
3	214793DA	U8163900	SCREW	.57
4	21447242	U8163900	SCREW - SELF TAPPING	1.12
5	37246154	U8125900, U8125960, U8135900, U8145900, U8150900, U8157900, U8161900, U8163900	CONTROL PANEL - SILVER QUARTZ METALLIC	7.93
	37246155	U8151900	CONTROL PANEL - SILVER QUARTZ METALLIC	7.93
	37246156	U8155900	CONTROL PANEL - SILVER QUARTZ METALLIC	11.33
6			N/A	
7	39383113	ALL	LENS	2.03
8	47173037	ALL	LAMP SOCKET	2.26
9	27313107	ALL	BULB	3.09
10	38783030	ALL	TRUNNION SEAL	1.46
11	39385008	ALL	REFLECTOR	N.L.A.
12	36913031	ALL	SWITCH BRACKET - DARK CHARCOAL GRAY	1.12
13	91001026	ALL	MICROSWITCH	5.74
14	38421110	ALL	ACTUATOR KNOB - BLACK	1.69
15	38434026	ALL	HANDLE RELEASE LEVER - BLACK	2.26
16	92001020	ALL	BRUSH ROLL HOUSING W/FURNITURE GUARD	N.L.A.
17	38355010	ALL	TORSION SPRING	1.12
18	43248067	ALL	FRONT WHEEL CARRIAGE ASSEMBLY	6.56
19	32434014	ALL	REAR AXLE - BLACK ZINC	2.26
20	92001287	ALL	REAR WHEEL - PEWTER METALLIC / BLACK	5.66
21	160017--	ALL	LOCK RING	.58

MODEL No.

U8125-900
U8125-960
U8135-900
U8145-900
U8150-900
U8151-900
U8153-900
U8155-900
U8157-900
U8161-900
U8163-900



SAVVY™

SAVVY™
2^{IN}1 BAGGED & BAGLESS

5

PART LISTING / PRICE LIST

ITEM	PART NUMBER	MODELS TO FIT	PART DESCRIPTION	LIST COST
22		U8125900, U8125960	GASKET - 20"	N.A.
	N.A.	ALL EXCPET U8125900, U8125960	GASKET - 27"	N.A.
23	38781060	ALL	GASKET - 35"	1.12
24	37241169	U8135900, U8151900, U8153900, U8155900, U8157900, U8161900	MAIN BODY - DARK CHARCOAL GRAY	11.33
	92001032	U8145900, U8150900, U8163900	MAIN BODY - GRAPHITE GRAY	11.33
25	38458072	ALL	HEIGHT ADJUSTMENT SLIDE - NATURAL	1.81
26	21447230	U8125900, U8125960	SCREW - SELF TAPPING	1.12
		U8145900, U8150900	SCREW - SELF TAPPING	N.A.
	21445827	U8135900, U8151900, U8153900, U8155900, U8157900, U8161900, U8163900	SCREW	1.12
27	214793DA	ALL	SCREW - SELF TAPPING 5/8"	.57
28	42915024	ALL	MOTOR GEAR HOUSING INCLUDES #26 & #30 UNITS MGF AFTER 6/03	68.03
29	38783030	ALL	TRUNNION SEAL / GEAR HOUSING SEAL	1.46
30		ALL	ORDER ITEM #28	N.A.
31	41435026	ALL	BRUSH ROLL END CAP - GRAPHITE GRAY	1.98
32	21479446	ALL	SCREW - SELF TAPPING	.57
33	48414125	ALL	BRUSH ROLL ASSEMBLY - LACED RIGHT HAND	N.L.A.
34	48414128	ALL	BRUSH ROLL ASSEMBLY - LACED LEFT HAND	5.66
35	39511009	ALL	LITTER PICKER - MAGNESIUM GRAY	N.L.A.
36	37245102	ALL	BOTTOM PLATE - DARK CHARCOAL GRAY	2.59
37	38783030	ALL	TRUNNION SEAL	1.46
38	37243036	ALL	NOZZLE LINER - CLEAR	3.73

MODEL No.

U8125-900
U8125-960
U8135-900
U8145-900
U8150-900
U8151-900
U8153-900
U8155-900
U8157-900
U8161-900
U8163-900



SAVVY™

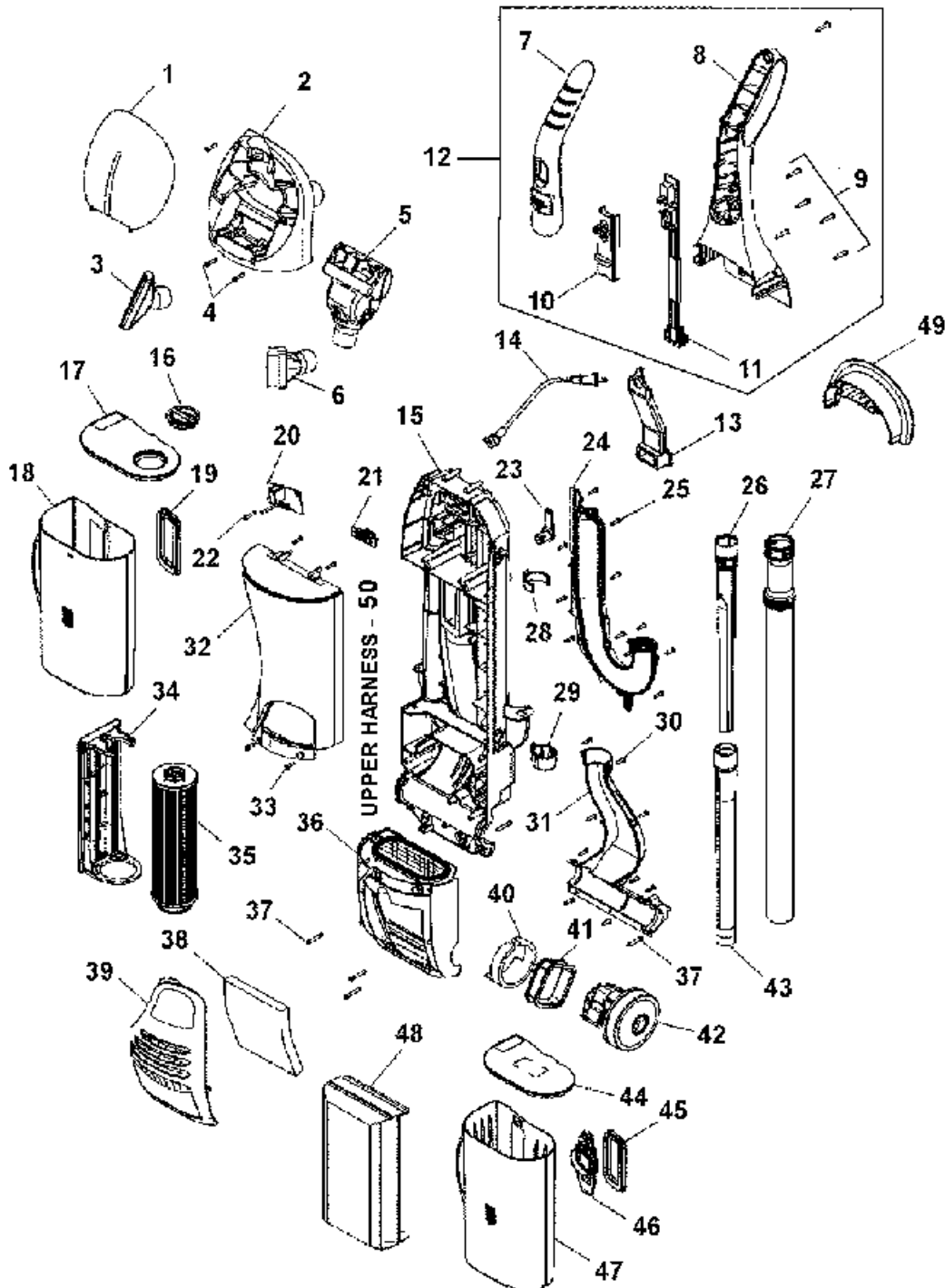
5

ASSEMBLY SCHEMATIC UPPER BODY

MODEL NO.

U8172-900

U8174-900





PART LISTING / PRICE LIST

MODEL No.

U8172-900
U8174-900

ITEM	PART NUMBER	MODELS TO FIT	PART DESCRIPTION	LIST COST
1	37257281	U8172900, U8174900	TOOL DOOR - CLEAR	4.53
2	36433195	U8172900, U8174900	TOOL HOLDER - SAGE GREEN METALLIC	N.L.A.
3	38614044	U8172900, U8174900	FURNITURE NOZZLE - GRAPHITE GRAY	5.66
4	21447072	U8172900, U8174900	SCREW	.57
5	49129032	U8172900, U8174900	TURBINE HAND TOOL	14.62
6	43414197	U8172900, U8174900	DUSTING BRUSH ASSEMBLY - BLACK	2.68
7	92001057	U8172900, U8174900	LENS - HANDLE GRIP	3.96
8	92001052 SEE NOTES	U8172900, U8174900	UPPER HANDLE ASSEMBLY - OLD VERSION - ORDER #12 48663238	N.L.A.
	91001209	U8172900, U8174900	UPPER HANDLE ASSEMBLY	25.50
9	214472ED	U8172900, U8174900	SCREW - SELF TAPPING	.58
10	38421112 SEE NOTES	U8172900, U8174900	SWITCH BUTTON - GRAPHITE GRAY OLD VERSION	1.81
	91001211	U8172900, U8174900	SWITCH BUTTON - GRAPHITE GRAY NEW VERSION	2.03
11	27854033 SEE NOTES	U8172900, U8174900	SWITCH/CIRCUIT BOARD - OLD VERSION - ORDER #12 48663238	N.L.A.
	91001210	U8172900, U8174900	SWITCH/CIRCUIT BOARD - NEW VERSION	17.00
12	39466086 SEE NOTES	U8172900, U8174900	UPPER HANDLE ASSEMBLY COMPLETE OLD VERSION - ORDER 48663238	N.L.A.
	48663238	U8172900, U8174900	UPPER HANDLE ASSEMBLY COMPLETE NEW VERSION INCLUDES ITEM #'s 7, 8, 10, AND 11	26.07
13	36911006	U8172900, U8174900	CONNECTOR MOUNT	1.12
14	46383334	U8172900, U8174900	ATTACHMENT CORD - 35'	15.87
15	92001053	U8172900, U8174900	UPPER HOUSING ASSEMBLY	23.80
16	38411013	U8172900, U8174900	KNOB CARTRIDGE FILTER - BLACK	2.03
17	37249095	U8172900, U8174900	DIRT CUP LID	4.41
18	38775094	U8172900, U8174900	DIRT CUP ASSEMBLY	22.67
19	38783029	U8172900, U8174900	DIRT CUP INLET SEAL - BLACK	1.81
20	91001035	U8172900, U8174900	EDF PRINTED CIRCUIT BOARD	11.33
21	91001034	U8172900, U8174900	RECEPTACLE / HARNESS	5.74
22	21447072	U8172900, U8174900	SCREW	.57
23	39442048	U8172900, U8174900	CORD WRAP - GRAPHITE GRAY	1.14



PART LISTING / PRICE LIST

ITEM	PART NUMBER	MODELS TO FIT	PART DESCRIPTION	LIST COST
24	92001064	U8172900, U8174900	MICROPHONE/DIRT DUCT ASSEMBLY	5.66
25	21447242	U8172900, U8174900	SCREW - SELF TAPPING	1.12
26	38617031	U8172900, U8174900	CREVICE TOOL / LONG - GRAPHITE GRAY	5.66
27	43431227	U8172900, U8174900	HOSE ASSEMBLY COMPLETE - BLACK/GRAY	17.00
	43434042	U8172900, U8174900	EXTRA HOSE ASSEMBLY - 20'	34.01
28	36433197	U8172900, U8174900	UPPER WAND HOLDER - GRAPHITE GRAY	1.46
29	36433194	U8172900, U8174900	LOWER WAND HOLDER - GRAPHITE GRAY	1.69
30	21447242	U8172900, U8174900	SCREW - SELF TAPPING	1.12
31	38683018	U8172900, U8174900	TRUNNION DUCT - GRAPHITE GRAY	4.53
32	37249056	U8172900, U8174900	FRONT PANEL - SAGE GREEN METALLIC	10.90
33	21447242	U8172900, U8174900	SCREW - SELF TAPPING	1.12
34	36426069	U8172900, U8174900	PRE-FILTER ASSEMBLY - BLACK	9.52
35	40140201	U8172900, U8174900	CARTRIDGE FILTER	16.00 NON DISC
36	37196177	U8172900, U8174900	MOTOR COVER - SAGE GREEN METALLIC	9.06
37	21447230	U8172900, U8174900	SCREW - SELF TAPPING	1.12
38	93002017	U8172900, U8174900	FINAL FILTER	11.49
39	38769017	U8172900, U8174900	FINAL FILTER DOOR - TRANSPARENT GRAY LT	2.86
40	34163016	U8172900, U8174900	MUFFLER FOAM	1.81
41	36322036	U8172900, U8174900	MOTOR MOUNT - MIDDLE	2.59
42	93001747	U8172900, U8174900	MOTOR ASSEMBLY	56.69
	38785018	U8172900, U8174900	MOTOR FACE SEAL - BLACK	1.81
	91001027	U8172900, U8174900	THERMAL PROTECTOR	5.66
43	38634078	U8172900, U8174900	EXTENSION TUBE - BLACK	6.79
44	37249065	U8172900, U8174900	BAG CONTAINER LID - GRAPHITE GRAY	N.L.A.
45	38783035	U8172900, U8174900	INLET SEAL - BAG CONTAINER NATURAL	2.26
46	36424005	U8172900, U8174900	BAG ADAPTER - BLACK	2.26
47	37256005	U8172900, U8174900	BAG CONTAINER - TRANSPARENT GRAY MIST	29.47
48	4010100Y	U8172900, U8174900	TYPE Y / ALLERGEN FILTER - 3 PACK	3.62 NON DISC
	4010106Y	U8172900, U8174900	TYPE Y / ALLERGEN FILTER - 3 PACK	PEND
49	36433196	U8172900, U8174900	UPPER HOSE HOLDER - GRAPHITE GRAY	3.39
50	91001032	U8172900, U8174900	UPPER WIRE HARNESS	2.26

MODEL No.

U8172-900
U8174-900

NOTES: IT IS RECOMMENDED THAT YOU UPDATE THE ORIGINAL DESIGN UNITS THAT ARE IN REPAIR FOR THE SWITCH FAILURES TO THE "NEW VERSION" ORDER THE COMPLETE HANDLE ASSEMBLY #44 (48663238), OR THE "NEW VERSION" PARTS SEPARATELY - UPPER HANDLE #8 (91001209), SWITCH BUTTON (91001211), AND SWITCH / CIRCUIT BOARD #11 (91001210).

NEW VERSION WAS IMPLEMENTED ON MODELS MANUFACTURED FROM 06/06 TO PRESENT



SAVVY™

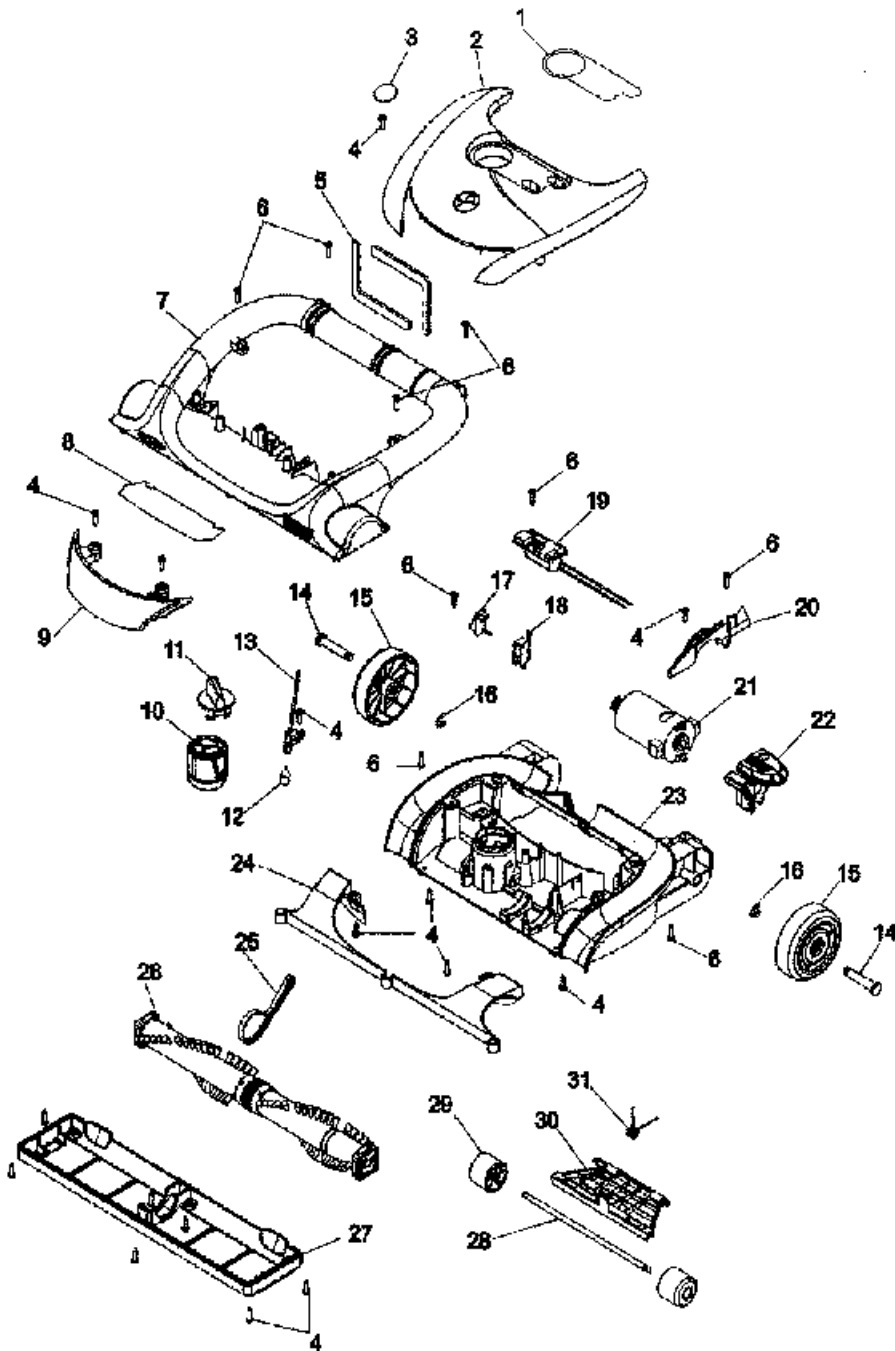
5

ASSEMBLY SCHEMATIC FOOT / NOZZLE BASE

MODEL NO.

U8172-900

U8174-900





5

PART LISTING / PRICE LIST

MODEL No.

U8172-900
U8174-900

ITEM	PART NUMBER	MODELS TO FIT	PART DESCRIPTION	LIST COST
1	91001038	U8172900, U8174900	NAME PLATE	2.26
2	92001046	U8172900, U8174900	HOOD / NOZZLE COVER TOP - SAGE GREEN ORDER 37253439 BLACK	N.L.A.
	37253439	U8172900, U8174900	HOOD / NOZZLE COVER TOP - BLACK	5.32
3	51661020	U8172900, U8174900	MEDALLION	1.46
4	214793DA	U8172900, U8174900	SCREW	.57
5	91001030	U8172900, U8174900	TRUNNION SEAL	1.12
6	21447242	U8172900, U8174900	SCREW - SELF TAPPING	1.12
7	92001042	U8172900, U8174900	AGITATOR / BRUSH ROLL HOUSING	11.33
8	91001031	U8172900, U8174900	REFLECTOR	2.26
9	92001051	U8172900, U8174900	LENS	2.26
10	92001049	U8172900, U8174900	HEIGHT ADJUSTMENT KNOB	1.69
11	92001050	U8172900, U8174900	HEIGHT ADJUSTMENT CAM	1.46
12	27313107	U8172900, U8174900	BULB	3.09
13	47173037	U8172900, U8174900	LAMP SOCKET	2.26
14	32434014	U8172900, U8174900	REAR AXLE	2.26
15	92001287	U8172900, U8174900	REAR WHEEL	5.66
16	160017--	U8172900, U8174900	LOCKING RING	.58
17	36913031	U8172900, U8174900	SWITCH BRACKET	1.12
18	91001026	U8172900, U8174900	SWITCH	5.74
19	91001036	U8172900, U8174900	DISPLAY BRIDGE PCB	14.16
20	92001040	U8172900, U8174900	MOTOR BRACKET	3.39
21	93001746	U8172900, U8174900	AGITATOR / BRUSH ROLL MOTOR	56.69
22	38434026	U8172900, U8174900	HANDLE RELEASE LEVER	2.26
23	92001041	U8172900, U8174900	MAIN BODY / NOZZLE BASE	12.34
24	92001074	U8172900, U8174900	NOZZLE LINER	3.73
25	38528049	U8172900, U8174900	TIMING BELT	4.20
26	93001748	U8172900, U8174900	AGITATOR / BRUSH ROLL	19.83
27	92001039	U8172900, U8174900	BOTTOM PLATE / NOZZLE GUARD	4.29
28	32541007	U8172900, U8174900	WHEEL SHAFT	1.12
29	38521009	U8172900, U8174900	FRONT WHEEL	2.26
30	91001066	U8172900, U8174900	FRONT WHEEL CARRIAGE ASSEMBLY	5.09
31	38355010	U8172900, U8174900	TORSION SPRING	1.12
	91001033	U8172900, U8174900	BOTTOM WIRE HARNESS	9.19

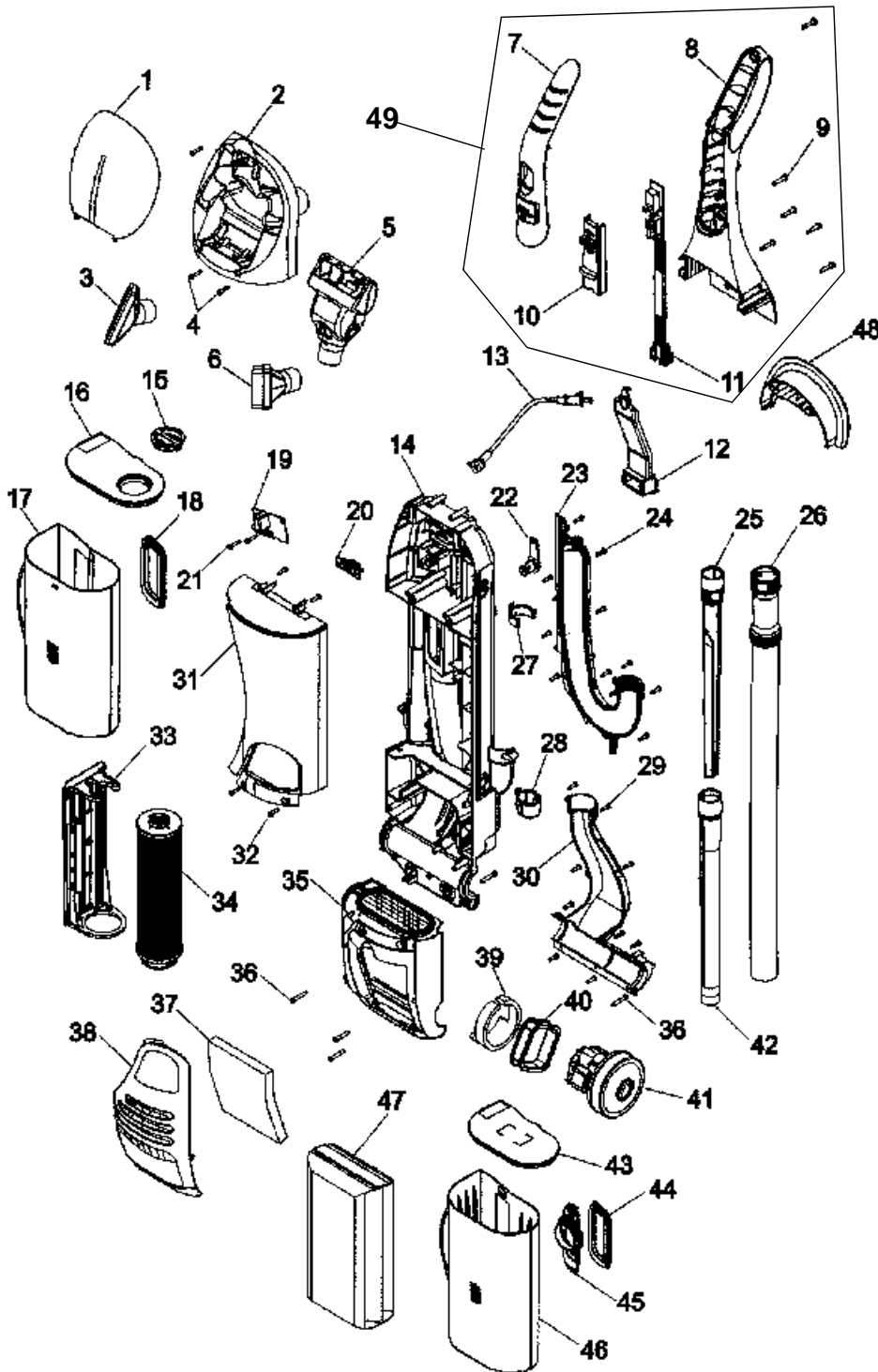


SAVVY™
2-in-1 BAGGED & BAGLESS

WindTunnel™
BAGGED & BAGLESS

5

ASSEMBLY SCHEMATIC UPPER BODY



MODEL NO.

- U8181-900
- U8187-900
- U8188-900
- UH40110



5

PART LISTING / PRICE LIST

ITEM	PART NUMBER	MODELS TO FIT	PART DESCRIPTION	LIST COST
1	37257281	ALL	TOOL DOOR	4.53
2	36433178	U8181900	TOOL HOLDER - BLACK	5.66
	36433258	U8187900	TOOL HOLDER - ALUMINUM ALLOY	PENDING
	36433261	U8188900	TOOL HOLDER - BRONZE ALLOY	PENDING
	36433262	UH40110	TOOL HOLDER - SILVER	PENDING
3	38614044	ALL	FURNITURE TOOL - GRAPHITE GRAY	5.66
	38614045	ALL	FURNITURE TOOL - BLACK	3.39
4	21447072	ALL	SCREW	.57
5	49129032	ALL	TURBINE TOOL	14.62
6	43414197	ALL	DUSTING BRUSH ASSEMBLY - BLACK	2.68
7	92001057	ALL	UPPER HANDLE GRIP	3.96
8	92001052	U8181900	UPPER HANDLE ASSEMBLY ORDER #49 48663238	N.L.A.
	91001209	ALL	UPPER HANDLE ASSEMBLY	25.50
9	214472ED	ALL	SCREW - SELF TAPPING	.58
10	38421112 SEE NOTES	U8181900	SWITCH BUTTON - OLD VERSION	1.81
	91001211	ALL	SWITCH BUTTON - NEW VERSION	2.03
11	27854033 SEE NOTES	U8181900	SWITCH CURCUIT BOARD - OLD VERSION ORDER 48663238 COMPLETE HANDLE ASSY	N.L.A.
	91001210	ALL	SWITCH CIRCUIT BOARD - NEW VERSION	17.00
12	36911006	ALL	CONNECTOR MOUNT	1.12
13	46383334	ALL	POWER CORD - 35'	15.87
14	92001053	ALL	HOUSING / PACK PANEL ASSEMBLY	23.80
	36433196	ALL	UPPER HOSE HOLDER - GRAPHITE GRAY	3.39
15	38411013	ALL	DIRT CUP LID KNOB	2.03
17	38775094	ALL	DIRT CUP	22.67
16	37249095	ALL	DIRT CUP LID	4.41
18	38783029	ALL	DIRT CUP INLET SEAL	1.81
19	91001035	ALL	CURCUIT BOARD	11.33
20	91001034	ALL	RECEPTACLE HARNESS	5.74
21	21447072	ALL	SCREW	.57
22	39442048	ALL	CORD WRAP - MAGNESIUM GRAY	1.14
23	92001064	ALL	MICROPHONE / DIRT DUCT ASSEMBLY	5.66
24	21447242	ALL	SCREW - SELF TAPPING	1.12

MODEL No.

U8181-900
U8187-900
U8188-900
UH40110



5

PART LISTING / PRICE LIST

ITEM	PART NUMBER	MODELS To FIT	PART DESCRIPTION	LIST COST
25	38617031	ALL	CREVICE TOOL - LONG GRAPHITE GRAY	5.66
	38617033	ALL	CREVICE TOOL - SHORT	3.39
26	43431227	ALL	HOSE ASSEMBLY COMPLETE - BLACK AND GRAPHITE GRAY	17.00
	43434042	ALL	EXTRA HOSE ASSEMBLY - 20'	34.01
27	36433197	U8181900	UPPER WAND HOLDER - GRAPHITE GRAY	1.46
	36433257	ALL	UPPER WAND HOLDER - SHADOW GRAY	1.46
28	36433194	ALL	LOWER WAND HOLDER - GRPAHITE GRAY	1.69
29	21447242	ALL	SCREW - SELF TAPPING	1.12
30	38683018	ALL	TRUNNION DUCT	4.53
31		U8181900	FRONT PANEL COVER - MULBERRY METALLIC ORDER 37249033 - BLACK	N.L.A.
	37249099	U8187900	FRONT PANEL COVER - ALUMINUM ALLOY	PENDING
	37246100	U8188900	FRONT PANEL COVER - BRONZE ALLOY	PENDING
	37246101	UH40110	FRONT PANEL COVER - SILVER	PENDING
32	21447242	ALL	SCREW - SELF TAPPING	1.12
33	36426069	ALL	PRE-FILTER SUPPORT ASSEMBLY - BLACK	9.52
34	40140201	ALL	HEPA CARTRIDGE FILTER - DIRT CUP	16.00 NON DISC
35	37196178	U8181900	MOTOR COVER - MULLBERRY METALLIC	10.20
	37196205	U8187900	MOTOR COVER - ALUMINUM ALLOY	PENDING
	37196206	U8188900	MOTOR COVER - BRONZE ALLOY	PENDING
	37196207	UH40110	MOTOR COVER - SILVER	PENDING
36	21447230	ALL	SCREW - SELF TAPPING	1.12
37	93002017	ALL	FINAL / EXHAUST FILTER	11.49
	40110009	ALL	FINAL / EXHAUST FILTER - 2 PACK	3.49 NON DISC
38	38769017	ALL	FINAL / EXHAUST FILTER DOOR	2.86
39	34163016	ALL	FOAM MUFFLER - MOTOR	1.81
40	36322036	ALL	MOTOR MOUNT - MIDDLE	2.59
41	93001747	ALL	MOTOR ASSEMBLY	56.69
	38785018	ALL	MOTOR SEAL	1.81
	91001027	ALL	THERMAL PROTECTOR	5.66
42	38634078	ALL	EXTENSION TUBE	6.79
43	37249065	U8181900	BAG CONTAINER LID - GRAPHITE GRAY	N.L.A.
	37249097	ALL	BAG CONTAINER LID	2.38
44	38783035	ALL	BAG CONTAINER INLET SEAL	2.26
45	36424005	ALL	BAG ADAPTOR	2.26
46	37256005	ALL	BAG CONTAINER - MIST GRAY TRANSPARENT	29.47

MODEL No.

U8181-900
U8187-900
U8188-900
UH40110



5

PART LISTING / PRICE LIST

ITEM	PART NUMBER	MODELS TO FIT	PART DESCRIPTION	LIST COST
47	4010100Y	ALL	TYPE Y ALLERGY BAG - 3 PACK	3.62 NON DISC
	4010106Y	ALL	TYPE Y ALLERGY BAG - 3 PACK	PEND
	4010801Y	ALL	TYPE Y HEPA BAG - 2 PACK	4.95 NON DISC
	AH10040	ALL	TYPE Y HEPA BAG - 2 PACK	4.95 NON DISC
	AH10165	ALL	TYPE Y HEPA CARBON BAG - 2 PACK	5.49 NON DISC
48	36433196	ALL	UPPER HOSE HOLDER - GRAPHITE GRAY	3.39
49	39466086 SEE NOTES	U8181900	UPPER HANDLE ASSEMBLY COMPLETE - OLD VERSION - ORDER #48663238	N.L.A.
	48663238	U8181900	UPPER HANDLE ASSEMBLY COMPLETE - NEW VERSION / INCLUDES #'S 7, 8, 10, AND 11 MFG CODE 06/06 TO PRESENT	26.07
	48663246	ALL	UPPER HANDLE ASSEMBLY COMPLETE	PENDING
	91001032	U8181900	UPPER WIRE HARNESS	2.26

MODEL No.

U8181-900
U8187-900
U8188-900
UH40110

NOTES:

IT IS RECOMMENDED THAT YOU UPDATE THE ORIGINAL DESIGN UNITS THAT ARE IN REPAIR FOR SWITCH FAILURES TO THE "NEW VERSION" ORDER THE COMPLETE HANDLE ASSEMBLY #48 (48663238), OR THE "NEW VERSION" PARTS SEPARATELY - UPPER HANDLE #8 (91001209), SWITCH BUTTON (91001211), AND SWITCH / CIRCUIT BOARD #11 (91001210).

NEW VERSION WAS IMPLEMENTED ON MODELS MANUFACTURED FROM 06/06 TO PRESENT



SAVVY™
2 in 1 BAGGED
& BAGLESS

WindTunnel
BAGGED & BAGLESS

5

ASSEMBLY SCHEMATIC FOOT / NOZZLE BASE

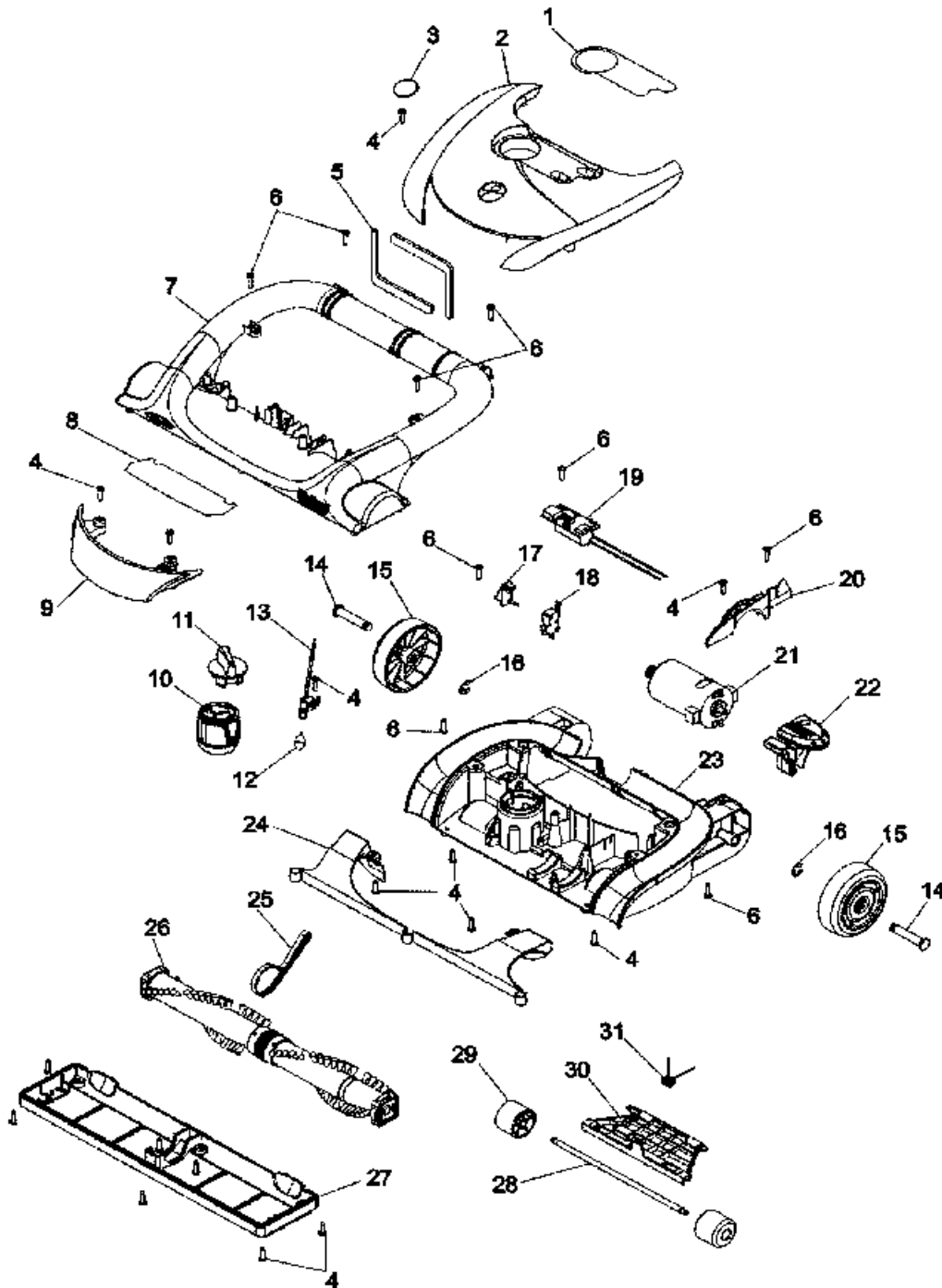
MODEL NO.

U8181-900

U8187-900

U8188-900

UH40110





5

PART LISTING / PRICE LIST

ITEM	PART NUMBER	MODELS TO FIT	PART DESCRIPTION	LIST COST
1	91001038	ALL	NAME PLATE	2.26
2	92001047	U8181900	HOOD / NOZZLE COVER - MULBERRY METALLIC	6.00
	37253A85	U8187900	HOOD / NOZZLE COVER - ALUMINUM ALLOY	PENDING
	37253A86	U8188900	HOOD / NOZZLE COVER - BRONZE ALLOY	PENDING
	37253A87	UH40110	HOOD / NOZZLE COVER - SILVER	PENDING
3	51661020	ALL	MEDALLION	1.46
4	214793DA	ALL	SCREW	.57
5	91001030	ALL	TRUNNION SEAL	1.12
6	21447242	ALL	SCREW - SELF TAPPING	1.12
7	92001042	U8181900	AGITATOR / BRUSH ROLL HOUSING	11.33
	42246151	U8187900, U8188900, UH40110	AGITATOR / BRUSH ROLL HOUSING	32.45
8	91001031	ALL	REFLECTOR	2.26
9	92001051	ALL	LENS	2.26
10	92001049	ALL	HEIGHT ADJUSTMENT KNOB	1.69
11	92001050	ALL	HEIGHT ADJUSTMENT CAM	1.46
12	27313107	ALL	BULB	3.09
13	47173037	ALL	LAMP SOCKET	2.26
14	32434014	ALL	REAR AXLE	2.26
15	92001287	U8181900	REAR WHEEL	5.66
	43247033	ALL	REAR WHEEL ASSEMBLY	6.82
16	160017--	ALL	LOCK RING	.58
17	36913031	ALL	SWITCH BRACKET	1.12
18	91001026	ALL	SWITCH	5.74
19	91001036	ALL	DISPLAY BRIDGE PCB	14.16
20	92001040	ALL	MOTOR BRACKET	3.39
21	93001746	ALL	AGITATOR / BRUSH ROLL MOTOR	56.69
22	38434026	ALL	HANDLE RELEASE LEVER	2.26
23	92001041	U8181900	MAIN BODY / NOZZLE BASE	12.34
	37241186	ALL	MAIN BODY / NOZZLE BASE	10.80
24	92001074	ALL	NOZZLE LINER	3.73
25	38528049	ALL	TIMING BELT	4.20
26	93001748	ALL	AGITATOR / BRUSH ROLL	19.83
27	92001039	ALL	BOTTOM PLATE / NOZZLE GUARD	4.29
28	32541007	ALL	WHEEL SHAFT	1.12

MODEL No.

U8181-900
U8187-900
U8188-900
UH40110



5

PART LISTING / PRICE LIST

ITEM	PART NUMBER	MODELS TO FIT	PART DESCRIPTION	LIST COST
29	38521009	U8181900	FRONT WHEEL	2.26
	38522105	ALL	FRONT WHEEL - SOFT TREAD	2.53
30	91001066	U8181900	FRONT WHEEL CARRIAGE ASSEMBLY	5.09
	43248076	ALL	FRONT WHEEL CARRIAGE ASSEMBLY	10.20
31	38355010	U8181900	TORSION SPRING	1.12
	91001033	U8181900	LOWER WIRE HARNESS	9.19

MODEL No.

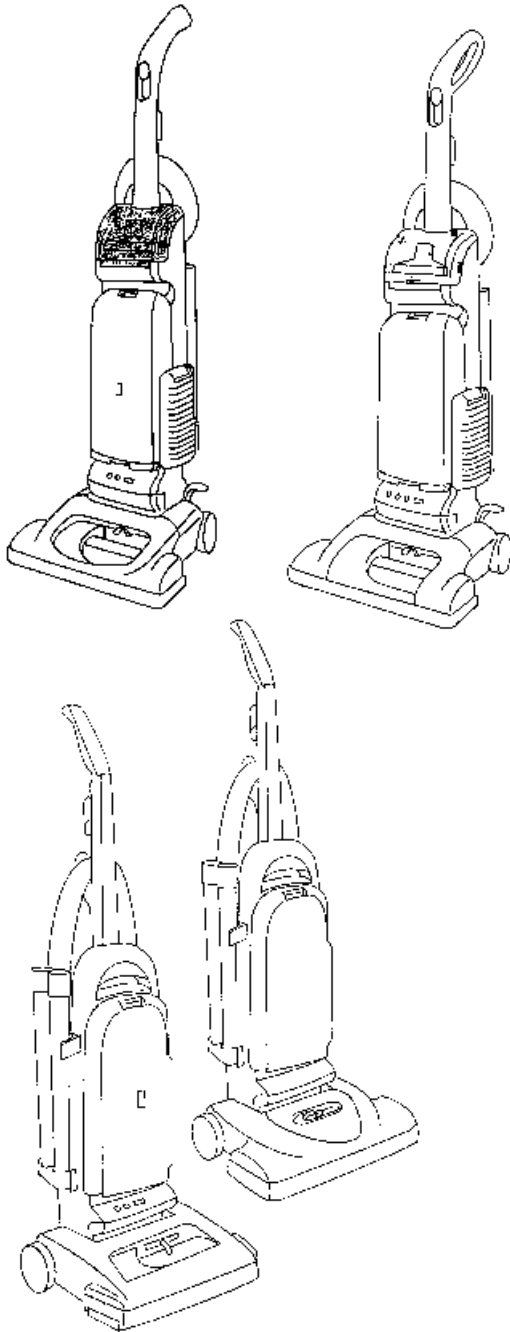
U8181-900
U8187-900
U8188-900
UH40110



WINDTUNNEL
SUPREME

Wind Tunnel
LITE
Bagged Upright Vacuum

6



SECTION CONTENTS

<u>MODEL No.</u>	<u>PAGE No.</u>
U5458-900	6-2 THRU 6-8
U5458-910	6-2 THRU 6-8
U5460-900	6-2 THRU 6-8
U5462-900	6-2 THRU 6-8
U5467-900	6-2 THRU 6-8
U5468-900	6-2 THRU 6-8
U5470-900	6-2 THRU 6-8
U5471-900	6-2 THRU 6-8
U5472-900	6-2 THRU 6-8
U5473-900	6-2 THRU 6-8
U5481-900	6-2 THRU 6-8
U5491-900	6-2 THRU 6-8
U5491-950	6-2 THRU 6-8
UH30070	6-2 THRU 6-8
UH30085	6-9 THRU 6-12

MODEL No.

U5458-900
U5458-910
U5460-900
U5462-900
U5467-900
U5468-900
U5470-900
U5471-900
U5472-900
U5473-900
U5481-900
U5491-900
U5491-950
UH30070
UH30085

* PRICING, SPECIFICATION'S, AND PRODUCT AVAILABILITY ARE SUBJECT TO CHANGE WITHOUT NOTICE. PRICING IS FOB FACTORY, CANTON, OH

* ALL INFORMATION CONTAINED WITHIN THIS SERVICE MANUAL IS PROPRIETARY INFORMATION OF TTI FLOOR CARE NORTH AMERICA.

* **WARNING:** TO REDUCE THE RISK OF ELECTRICAL SHOCK OR INJURY, ALWAYS DISCONNECT THE APPLIANCE CORD FROM THE ELECTRICAL OUTLET OR REMOVE BATTERY PRIOR TO SERVICING THE UNIT.

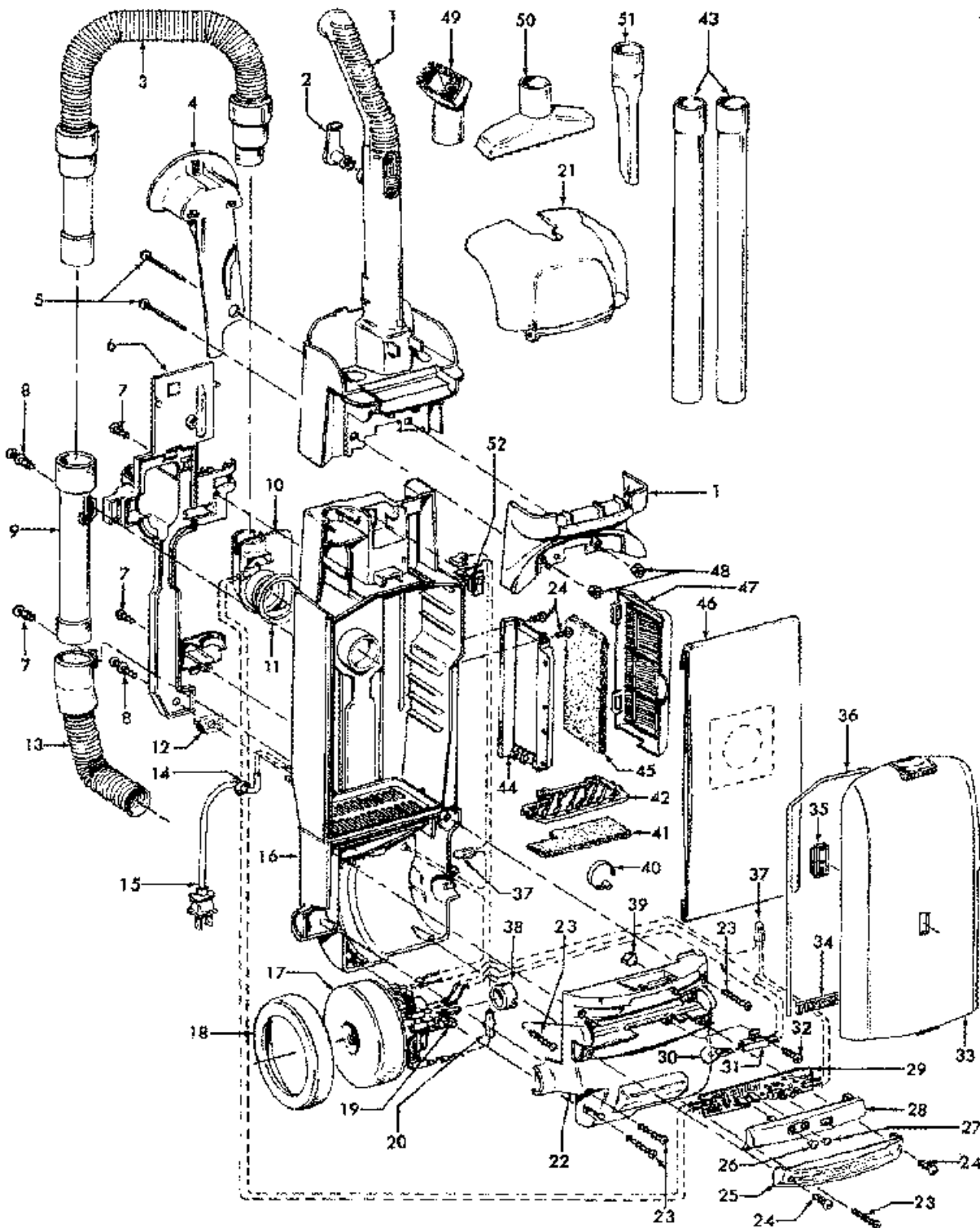


WINDTUNNEL[™]

S U P R E M E

6

ASSEMBLY SCHEMATIC



MODEL No.

- U5458-900
- U5458-910
- U5460-900
- U5462-900
- U5467-900
- U5468-900
- U5470-900
- U5471-900
- U5472-900
- U5473-900
- U5481-900
- U5491-900
- U5491-950
- UH30070



WINDTUNNEL™ S U P R E M E

6

PART LISTING / PRICE LIST

ITEM	PART NUMBER	MODELS TO FIT	PART DESCRIPTION	LIST COST
1	37911080	ALL	HANDLE CAP / DELUXE - DARK CHARCOAL GRAY	1.12
	48663205	ALL	UPPER HANDLE COMPLETE - DARK CHARCOAL GRAY	15.87
	39466123	U5491900, U5491950, UH30070	UPPER HANDLE COMPLETE - D - STYLE HANDLE	24.53
2	39442048	ALL	CORD WRAP - MAGNESIUM GRAY	1.14
	39442056	ALL	CORD WRAP - BLACK	.66
3	43434031	ALL	HOSE ASSEMBLY COMPLETE	19.83
4	36433137	ALL	HOSE HOLDER - DARK CHARCOAL GRAY	2.59
5	40201149	ALL	HANDLE HARDWARE ASSEMBLY	2.26
6	36433120	ALL	WAND/HOSE HOLDER - DARK CHARCOAL GRAY	3.73
7	21447242	ALL	SCREW - SELF TAPPING	1.12
8	23149002	ALL	SCREW - SELF TAPPING	.57
9	43457024	ALL	HOSE TUBE EXTENTION DOOR ASSEMBLY	4.53
10	47823003	ALL	EDF MICRO/DUCT ASSEMBLY	6.34
11	31178017	ALL	HOSE CONNECTOR GASKET	1.12
12	34311004	ALL	WIRE OPENING SEAL	1.12
13	43431005	ALL	LOWER HOSE / INLET DOOR ASSEMBLY	9.06
14	27482230	ALL	STRAIN RELIEF	1.12
15	46383334	ALL	CORD - 35'	15.87
16	92001023	ALL	BAG HOUSING DELUXE - DARK CHARCOAL GRAY	17.00
	40309040	ALL	BAG HOUSING KIT - DLX INCL MOTOR HOUSING	31.17
17	27212057	ALL	MOTOR ASSEMBLY COMPLETE	62.09
	33426001	ALL	NUT	1.12
	90001206	ALL	FAN ASSEMBLY	3.39
18	36322037	ALL	MOTOR MOUNT - LARGE	2.59
19	41311017	ALL	MOTOR BRUSH	4.86
20	47534027	U5462900	THERMAL PROTECTOR - 3/16	9.19
	28382087	ALL	THERMAL PROTECTOR - .250	7.48
21	37257260	ALL	TOOL DOOR	6.95
22	37196159	U5491900, U5491950, UH30070	MOTOR COVER - BLACK	9.06
	37196158	ALL	MOTOR COVER - DARK CHARCOAL GRAY	9.06
23	21447230	ALL	SCREW - SELF TAPPING	1.12
24	21447228	ALL	SCREW - SELF TAPPING	.57

MODEL No.

U5458-900
U5458-910
U5460-900
U5462-900
U5467-900
U5468-900
U5470-900
U5471-900
U5472-900
U5473-900
U5481-900
U5491-900
U5491-950
UH30070



WINDTUNNEL™ S U P R E M E

6

PART LISTING / PRICE LIST

ITEM	PART NUMBER	MODELS TO FIT	PART DESCRIPTION	LIST COST
25	39383107	ALL	LENS	2.59
26	27352030	ALL	SNAP IN LENS - RED	.60
27	27352031	ALL	SNAP IN LENS - GREEN	N.A.
28	42258001	ALL EXCEPT U5460900, U5462900	EDF COVER / 2 LIGHTS - DARK CHARCOAL GRAY	5.31
	42258003	U5491900, U5491950, UH30070	EDF COVER / 2 LIGHTS	PENDING
	42258002	U5460900, U5462900	EDF COVER / 3 LIGHTS - DARK CHARCOAL GRAY	5.31
29	46851083	ALL EXCEPT U5460900, U5462900	EDF PRINTED CIRCUIT BOARD / 2 LIGHTS	9.44
	46851032	U5460900, U5462900	EDF PRINTED CIRCUIT BOARD / 3 LIGHTS	39.68
30	27313101	ALL	LAMP / LIGHT BULB	2.26
31	47173028	U5460900, U5462900	WIRING HARNESS - RIGHT FLAG TERMINAL	4.53
	47173027	ALL EXCEPT U5460900, U5462900	WIRING HARNESS - STRAIGHT TERMINAL	4.53
32	21447072	ALL	SCREW	.57
33		U5458900, U5458910, U5460900	BAG HOUSING DOOR DELUXE INCL #34 & #36 - SAPPHIRE TRANSPARENT	N.A.
		U5462900, U5467900	BAG HOUSING DOOR DELUXE INCL #34 & #36 - SILVER QUARTZ METALLIC	N.A.
		U5460900	BAG HOUSING DOOR DELUXE INCL #34 & #36 - DARK SPRUCE TRANSPARENT	N.A.
	92001091	U5470900, U5481900	BAG HOUSING DOOR DELUXE INCL #34 & #36 - SAGE GREEN METALLIC	15.87
	37254287	U5471900	BAG HOUSING DOOR DELUXE INCL #34 & #36 - LEGACY PURPLE ORDER 37254285 OR 37254288	N.A.
	37254288	U5472900	BAG HOUSING DOOR DELUXE INCL #34 & #36 - SILVER QUARTZ METALLIC	34.01
	37254285	U5473900	BAG HOUSING DOOR DELUXE INCL #34 & #36 - CATALINA BLUE	27.21
	37254283	U5491900, U5491950	BAG HOUSING DOOR DELUXE INCL #34 & #36 - TECHNO BLUE METALLIC ORDER 37254285 OR 37254288	N.A.
	37254302	UH30070	BAG HOUSING DOOR DELUXE INCL #34 & #36 - CRIMSON	PENDING
34	34123050	ALL	BAG DOOR GASKET - BOTTOM	1.12
35	51151010	ALL	BAG INDICATOR	6.79
36	38781057	ALL	BAG DOOR GASKET - 34.5"	1.46
37	27618508	ALL	WIRE CONNECTOR	1.12

MODEL No.

U5458-900
U5458-910
U5460-900
U5462-900
U5467-900
U5468-900
U5470-900
U5471-900
U5472-900
U5473-900
U5481-900
U5491-900
U5491-950
UH30070



WINDTUNNEL™ S U P R E M E

6

PART LISTING / PRICE LIST

ITEM	PART NUMBER	MODELS To FIT	PART DESCRIPTION	LIST COST
39	34131019	ALL	WIRE OPENING PLUG	1.12
38	36322030	ALL	MOTOR MOUNT - SMALL	1.12
40	27479307	ALL	CABLE TIE	.45
41	38765019	ALL	SECONDARY FILTER	3.44
42	36426034	ALL	SECONDARY FILTER RETAINER	1.46
43	38634078	ALL	EXTENSION TUBE - BLACK	6.79
44	36426033	ALL	FILTER HOLDER - DARK CHARCOAL GRAY	3.39
45	40110004	ALL	FINAL FILTER - 2 PACK	3.49 NON DISC
	40110064	ALL	FINAL FILTER / ALLERGEN - 2 PACK	PEND
46	4010100Y	ALL	TYPE Y ALLERGEN BAG - 3 PACK	3.62 NON DISC
	4010106Y	ALL	TYPE Y ALLERGEN BAG - 3 PACK	PENDING
	4010801Y	ALL	TYPE Y HEPA BAG - 2 PACK	4.95 NON DISC
	AH10040	ALL	TYPE Y HEPA BAG - 2 PACK	4.95 NON DISC
	AH10165	ALL	TYPE Y HEPA CARBON BAG - 2 PACK	5.49 NON DISC
47	37257221	ALL	FILTER GRILL - DARK CHARCOAL GRAY	3.39
	37257323	U5491900, U5491950, UH30070	FILTER GRILL ASSEMBLY	PENDING
48	40201149	ALL	HANDLE HARDWARE ASSEMBLY	2.26
49	43414197	ALL	DUSTING BRUSH ASSEMBLY - BLACK	2.68
50	38614044	ALL	FURNITURE NOZZLE - GRAPHITE GRAY	5.66
	38614045	ALL	FURNITURE NOZZLE - BLACK	3.39
51	38617033	ALL	CREVICE TOOL - SHORT BLACK	3.39
	38617031	ALL	CREVICE TOOL - LONG GRAPHITE GRAY	5.66
52	28161075	ALL	SWITCH - 1/4" TERMINAL - TWO BLACK LEADS	2.63
53	49129032	ALL	TURBINE HAND TOOL	14.62
54	92001259	U5491900, U5491950, UH30070	12" FLOOR BRUSH ASSEMBLY - BLACK	17.00
	43434042	ALL	EXTRA HOSE ASSEMBLY 20' - OPTIONAL	34.01

MODEL No.

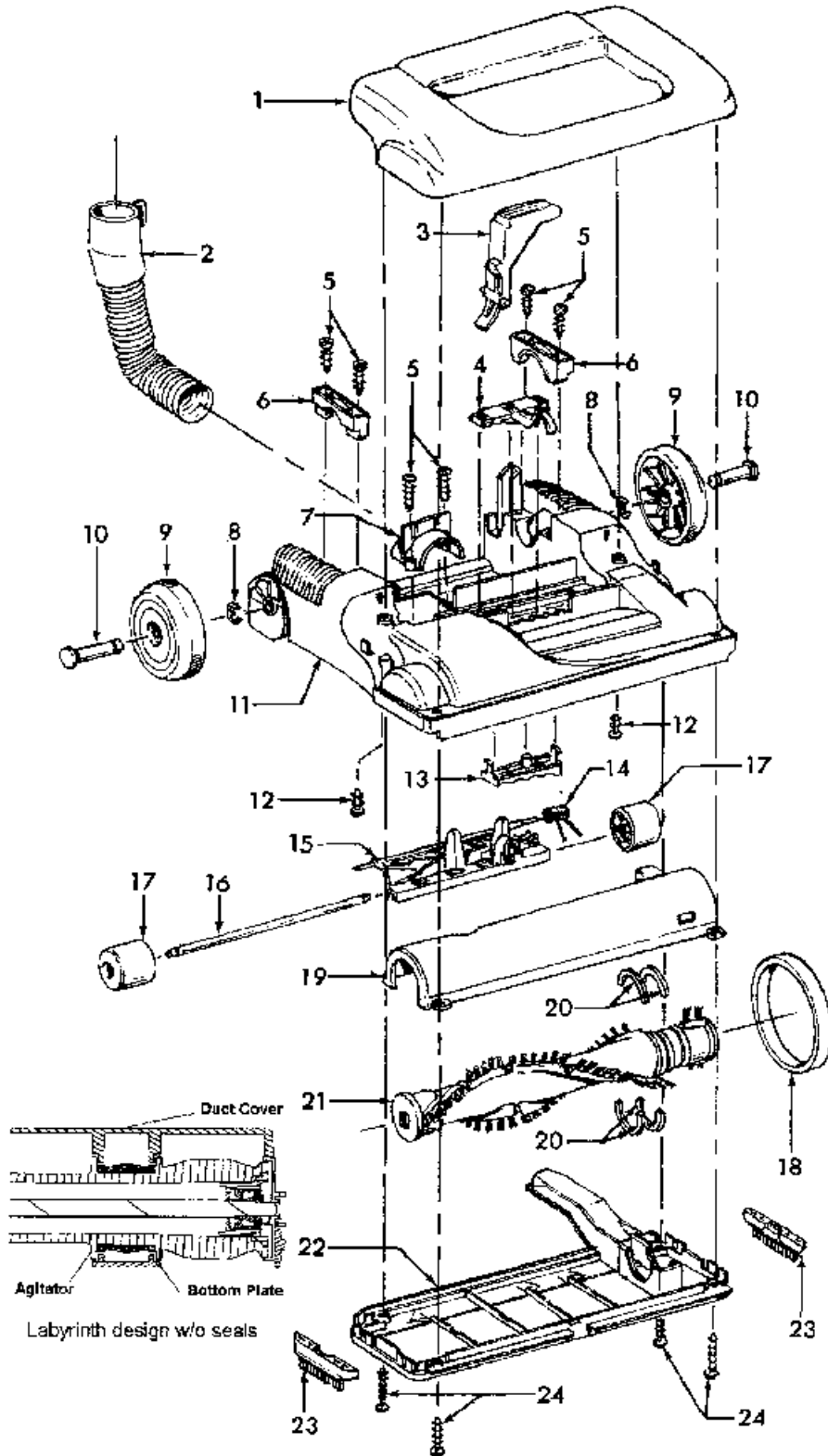
U5458-900
U5458-910
U5460-900
U5462-900
U5467-900
U5468-900
U5470-900
U5471-900
U5472-900
U5473-900
U5481-900
U5491-900
U5491-950
UH30070



WINDTUNNEL[™] SUPREME

6

ASSEMBLY SCHEMATIC



MODEL No.

- U5458-900
- U5458-910
- U5460-900
- U5462-900
- U5467-900
- U5468-900
- U5470-900
- U5471-900
- U5472-900
- U5473-900
- U5481-900
- U5491-900
- U5491-950
- UH30070



WINDTUNNEL™ S U P R E M E

6

PART LISTING / PRICE LIST

ITEM	PART NUMBER	MODELS TO FIT	PART DESCRIPTION	LIST COST
1	92001090	U5470900, U5481900	HOOD - SAGE GREEN METALLIC	9.40
	91001069	U5467900	HOOD - LACQUER RED METALLIC	9.40
	37253364	U5458900, U5458910, U5460900	HOOD - SAPPHIRE TRANSPARENT	27.21
	37253386	U5462900	HOOD - RUBY TRANSPARENT	N.L.A.
	37253448	U5471900	HOOD - LEGACY PURPLE	PENDING
	37253A75	U5472900	HOOD - SILVER QUARTZ METALLIC	10.60
	37253A78	U5473900	HOOD - CATALINA BLUE	PENDING
	42252B75	U5491900, U5491950	HOOD - TECHNO BLUE METALLIC	43.73
	37253B09	UH30070	HOOD - CRIMSON	PENDING
2	43431005	ALL	LOWER HOSE / INLET DOOR ASSEMBLY	9.06
3	38458043	ALL	HANDLE RELEASE LEVER - BLACK	2.26
	38434049	U5491900, U5491950, UH30070	HANDLE RELEASE LEVER - SONIC SILVER	4.15
4	40309004	ALL	NOZZLE ADJUST LEVER / CAM KIT	3.16
5	21447072	ALL	SCREW	.57
6	36131094	ALL	TRUNNION COVER - DARK CHARCOAL GRAY	1.12
7	36171044	ALL	HOSE CLAMP - DARK CHARCOAL GRAY	1.12
8	160017--	ALL	LOCK RING	.58
9	38522077	ALL	REAR WHEEL	2.26
	43247033	U5491900, U5491950, UH30070	REAR WHEEL ASSEMBLY	6.82
10	32434007	ALL	REAR AXLE	1.12
11	37242135	ALL	MAIN BODY w / FURNITURE GUARD	15.87
	37242158	U5491900, U5491950, UH30070	MAIN BODY w / FURNITURE GUARD	PENDING
12	21447228	ALL	SCREW - SELF TAPPING	.57
13	40309004	ALL	NOZZLE ADJUST LEVER / CAM KIT	3.16
14	38355010	ALL	TORSION SPRING	1.12
15	36432027	ALL	FRONT WHEEL SUPPORT - CLEAR	2.26
	43248064	ALL	FRONT WHEEL ASSEMBLY COMPLETE	9.06
16	32541003	U5460900, U5462900	WHEEL SHAFT - ZINC PLATE COATED	N.L.A.
	32541007	ALL	WHEEL SHAFT - ZINC PLATE COATED	1.12

MODEL No.

U5458-900
U5458-910
U5460-900
U5462-900
U5467-900
U5468-900
U5470-900
U5471-900
U5472-900
U5473-900
U5481-900
U5491-900
U5491-950
UH30070



WINDTUNNELTM S U P R E M E

6

PART LISTING / PRICE LIST

ITEM	PART NUMBER	MODELS TO FIT	PART DESCRIPTION	LIST COST
17	38521009	ALL	FRONT WHEEL - BLACK	2.26
	38522105	U5491900, U5491950, UH30070	FRONT WHEEL - BLACK SOFT TREAD	2.53
18	38528033	ALL	BELT	1.15 NON DISC
	40201160	ALL	BELT - 2 PACK	1.50 NON DISC
19	40309026	ALL	BOTTOM PLATE AND DUCT 15"	19.27
20	38781053	ALL	BRUSH ROLL / AGITATOR PULLEY SEAL	.93
21	48414132	ALL	BRUSH ROLL / AGITATOR - 15" WOODEN	17.25
22	ORDER #19	ALL	BOTTOM PLATE AND DUCT 15"	N.L.A.
23	39511004	ALL	LITTER PICKER / EDGE GROOMER - RED	2.26
	39511018	ALL	LITTER PICKER / EDGE GROOMER - BLACK	2.26
24	21447121	ALL	SCREW	.57

MODEL No.

U5458-900
 U5458-910
 U5460-900
 U5462-900
 U5467-900
 U5468-900
 U5470-900
 U5471-900
 U5472-900
 U5473-900
 U5481-900
 U5491-900
 U5491-950
 UH30070

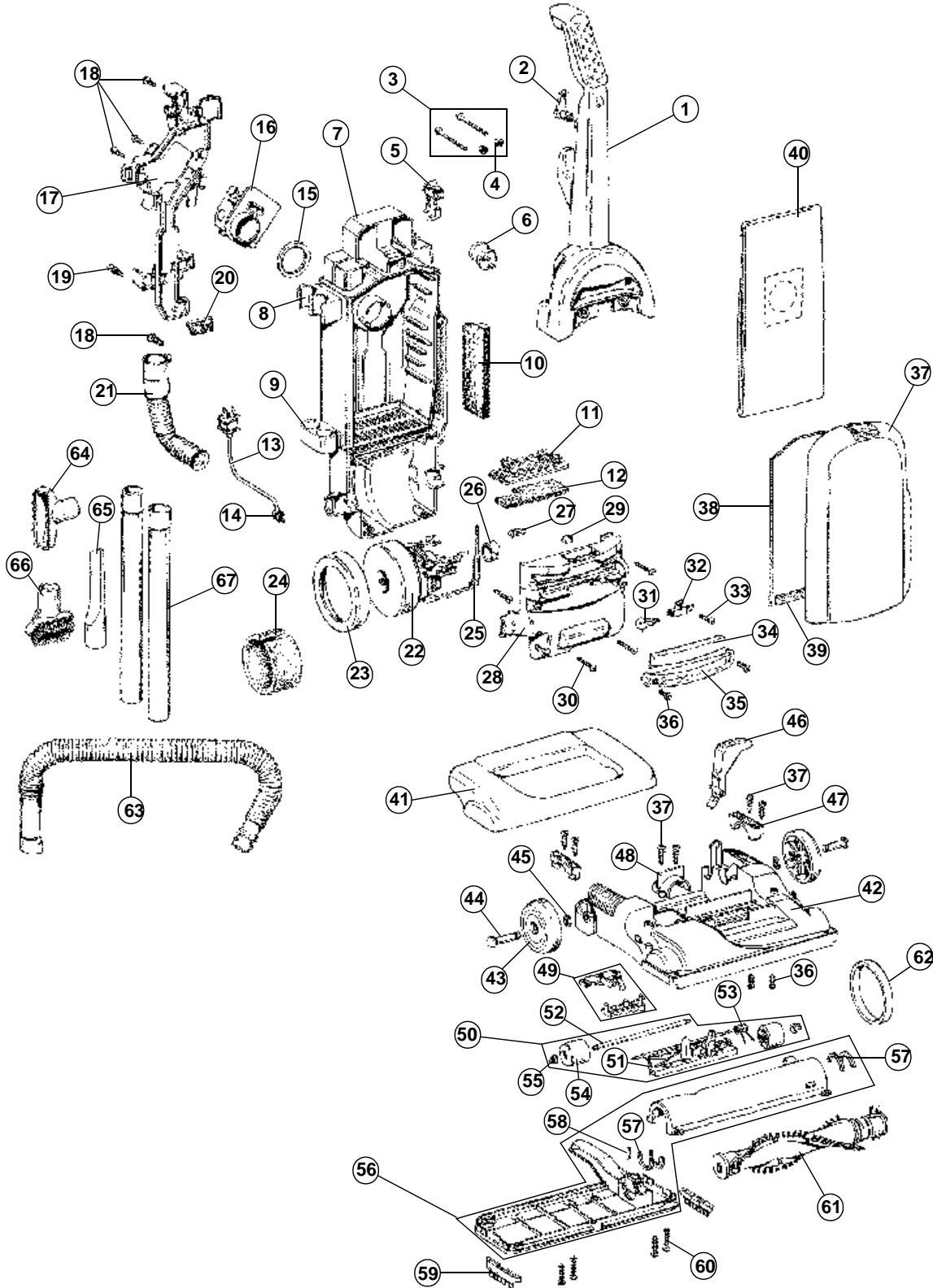


Wind Tunnel[®] LITE Bagged Upright Vacuum

6

ASSEMBLY SCHEMATIC

MODEL NO.
UH30085





Wind Tunnel[®]
LITE
Bagged Upright Vacuum

6

PART LISTING / PRICE LIST

MODEL No.

UH30085

ITEM	PART NUMBER	MODELS TO FIT	PART DESCRIPTION	LIST COST
1	48663206	UH30085	UPPER HANDLE ASSEMBLY	15.87
2	39442048	UH30085	CORD WRAP - MAGNESIUM GRAY	1.14
3	40201149	UH30085	HANDLE HARDWARE ASSEMBLY	2.26
4	21641558	UH30085	HEX NUT	1.12
5	28161075	UH30085	SWITCH - 1/4" TERMINAL - TWO BLACK LEADS	2.63
6	27479307	UH30085	CABLE TIE	.45
7	40309039	UH30085	BACK PANEL / BAG HOUSING	45.35
8	36433117	UH30085	UPPER WAND HOLDER	2.59
9	36433116	UH30085	LOWER WAND HOLDER	2.59
10	38766008	UH30085	FINAL / EXHAUST FILTER	1.21
	40110004	UH30085	FINAL / EXHAUST FILTER - ALLERGEN 2 PACK	3.49
11	36426034	UH30085	SECONDARY FILTER RETAINER	1.46
12	38765019	UH30085	SECONDARY FILTER	3.44
13	46583051	UH30085	POWER CORD - 35' 1/4 TERMINAL	20.69
14	27482231	UH30085	STRAIN RELIEF	1.12
15	31178017	UH30085	HOSE CONNECTOR GASKET	1.12
16	38641005	UH30085	DIRT DUCT	2.59
17	92001070	UH30085	TOOL / HOSE HOLDER	3.96
18	21447242	UH30085	SCREW - SELF TAPPING	1.12
19	23149002	UH30085	SCREW - SELF TAPPING	.57
20	34311004	UH30085	WIRE OPENING SEAL	1.12
21	43431005	UH30085	LOWER HOSE / INLET ASSEMBLY	9.06
22	27212057	UH30085	MOTOR ASSEMBLY	62.09
	43566016	UH30085	FAN ASSEMBLY	3.96
	41311017	UH30085	MOTOR BRUSH	4.86
23	36322037	UH30085	MOTOR MOUNT - LARGE	2.59
24	39411001	UH30085	FOAM MOTOR MUFFLER	2.59
25	28382086	UH30085	THERMAL PROTECTOR	7.48
26	36322030	UH30085	MOTOR MOUNT - SMALL	1.12
27	27618508	UH30085	WIRE CONNECTOR	1.12
28	37196158	UH30085	MOTOR COVER - DARK CHARCOAL GRAY	9.06
29	34131019	UH30085	WIRE OPENING PLUG	1.12
30	21447230	UH30085	SCREW - SELF TAPPING	1.12
31	27313101	UH30085	LAMP - BULB #912	2.26
32	47173027	UH30085	WIRE HARNESS - 1/4" TERMINAL	4.53



Wind Tunnel[®]
LITE
Bagged Upright Vacuum

6

PART LISTING / PRICE LIST

MODEL No.

UH30085

ITEM	PART NUMBER	MODELS TO FIT	PART DESCRIPTION	LIST COST
33	21447072	UH30085	SCREW	.57
34	37944010	UH30085	COVER - DARK CHARCOAL GRAY	1.13
35	39383107	UH30085	LENS - CLEAR	2.59
36	21447228	UH30085	SCREW - SELF TAPPING	.57
37	37254257	UH30085	BAG DOOR - GASKETS NOT INCLUDED VIOLET	28.34
38	38781057	UH30085	BAG DOOR GASKET - 34.5"	1.46
39	34123050	UH30085	BAG DOOR GASKET - BOTTOM	1.12
40	4010100Y	UH30085	TYPE Y ALLERGEN PAPER BAG - 3 PACK	3.62 NON DISC
	4010106Y	UH30085	TYPE Y ALLERGEN PAPER BAG - 3 PACK	PEND
	4010801Y	UH30085	TYPE Y HEPA PAPER BAG - 2 PACK	4.95 NON DISC
	AH10040	UH30085	TYPE Y HEPA PAPER BAG - 2 PACK	4.95 NON DISC
	AH10165	UH30085	TYPE Y HEPA CARBON PAPER BAG - 2 PACK	5.49 NON DISC
41	37253429	UH30085	HOOD / NOZZLE COVER - VIOLET	22.67
42	37242124	UH30085	NOZZLE BASE - 13" DARK CHARCOAL GRAY	14.73
43	43244009	UH30085	REAR WHEEL - DARK CHARCOAL GRAY	4.53
44	32434007	UH30085	REAR AXLE	1.12
45	160017--	UH30085	LOCK RING	.58
46	38458043	UH30085	HANDLE RELEASE LEVER	2.26
47	36131094	UH30085	TRUNNION COVER - DARK CHARCOAL GRAY	1.12
48	36171044	UH30085	HOSE CLAMP - DARK CHARCOAL GRAY	1.12
49	40309004	UH30085	NOZZLE ADJUSTMENT LEVER / CAM KIT	3.16
50	43248064	UH30085	FRONT WHEEL SUPPORT ASSEMBLY	9.06
51	36432027	UH30085	FRONT WHEEL SUPPORT - ONLY CLEAR	2.26
52	32541007	UH30085	WHEEL SHAFT	1.12
53	38355010	UH30085	TORSION SPRING	1.12
54	38521009	UH30085	FRONT WHEEL - BLACK	2.26
55	36131056	UH30085	WHEEL RETAINER	.91
56	40309025	UH30085	DUCT / BOTTOM PLATE ASSEMBLY - 13"	17.00
57	38781053	UH30085	AGITATOR PULLEY SEAL	.93
58	013261AY	UH30085	RIB SHOE	.57
59	39511018	UH30085	LITTER PICKER - BLACK	2.26
	39511004	UH30085	LITTER PICKER - IMPERIAL RED	2.26
60	21447121	UH30085	SCREW	.57
61	303996001	UH30085	AGITATOR ASSEMBLY - 13" WOODEN	15.25



Wind Tunnel[®]
LITE
Bagged Upright Vacuum

6

PART LISTING / PRICE LIST

ITEM	PART NUMBER	MODELS TO FIT	PART DESCRIPTION	LIST COST
62	38528033	UH30085	BELT	1.15 NON DISC
	40201160	UH30085	BELT - 2 PACK	1.50 NON DISC
63	43434031	UH30085	HOSE ASSEMBLY COMPLETE - BLACK	19.83
64	38614044	UH30085	FURNITURE NOZZLE - GRAPHITE GRAY	5.66
65	38617033	UH30085	CREVICE TOOL - BLACK	3.39
66	43414197	UH30085	DUSTING BRUSH - BLACK	2.68
67	38634078	UH30085	EXTENSION TUBE - BLACK	6.79

MODEL No.

UH30085



WINDTUNNEL™ BAGLESS

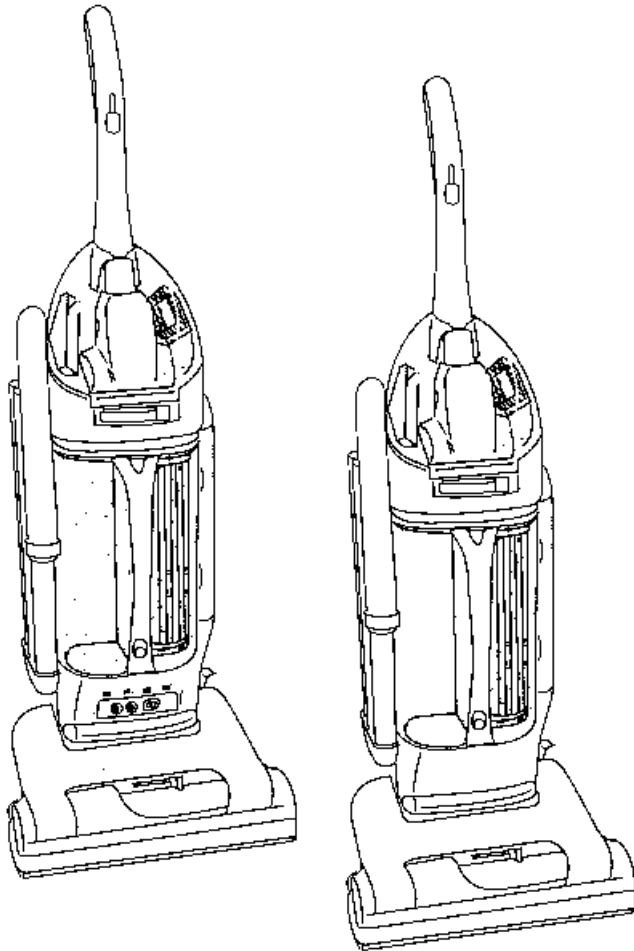
7

SECTION CONTENTS

<u>MODEL No.</u>	<u>PAGE No.</u>
U5753-900	7-2 THRU 7-6
U5760-900	7-2 THRU 7-6
U5786-900	7-2 THRU 7-6
UH40115	7-2 THRU 7-6
UH40125	7-2 THRU 7-6
U5762-900	7-7 THRU 7-11
UH40020	7-7 THRU 7-11
UH40065	7-7 THRU 7-11
UH40145B	7-7 THRU 7-11
UH40265	7-7 THRU 7-11

MODEL No.

U5753-900
 U5760-900
 U5762-900
 U5786-900
 UH40020
 UH40065
 UH40115
 UH40125
 UH40145B
 UH40265



* PRICING, SPECIFICATION'S, AND PRODUCT AVAILABILITY ARE SUBJECT TO CHANGE WITHOUT NOTICE. PRICING IS FOB FACTORY, CANTON, OH

* ALL INFORMATION CONTAINED WITHIN THIS SERVICE MANUAL IS PROPRIETARY INFORMATION OF TTI FLOOR CARE NORTH AMERICA.

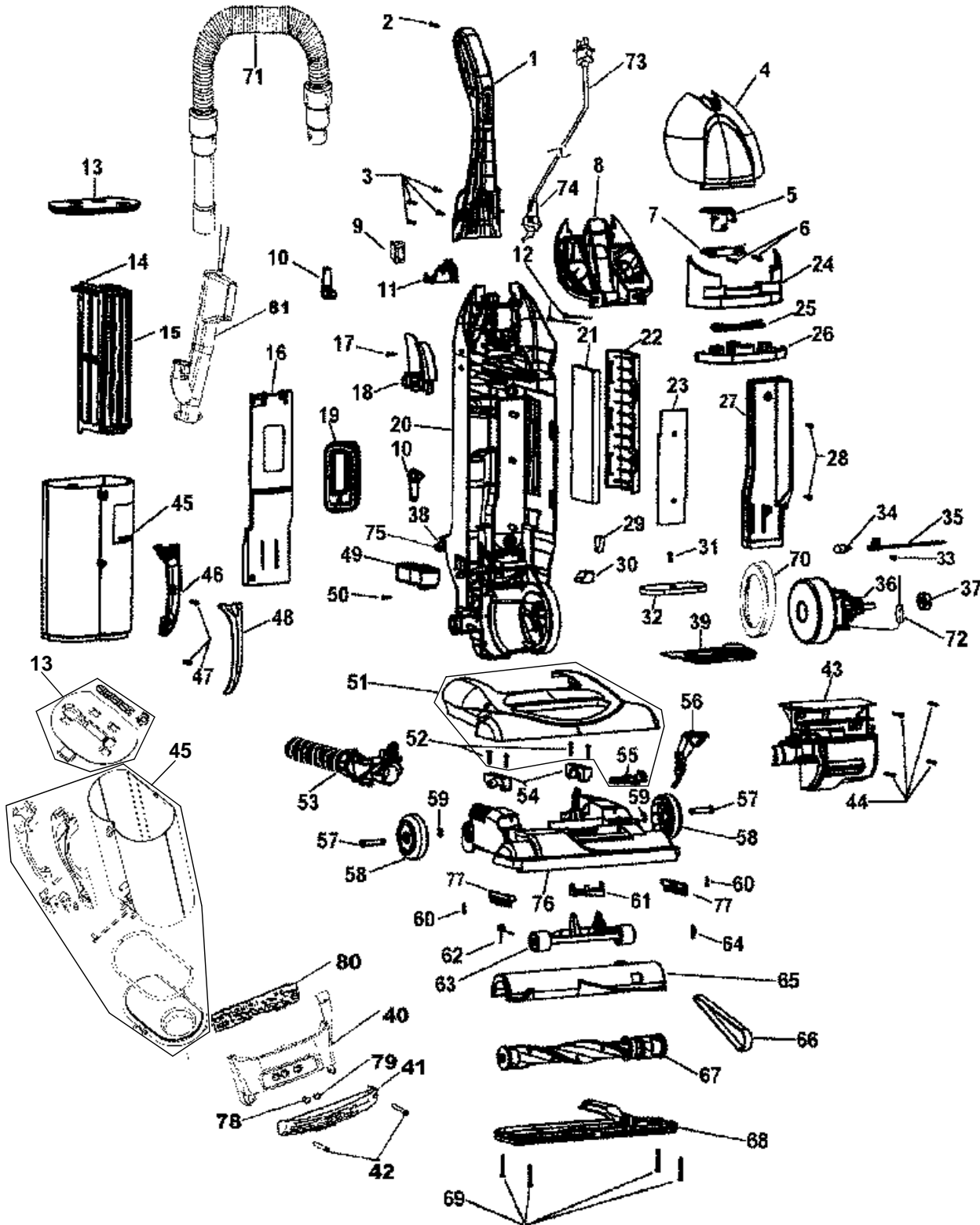
* **WARNING:** TO REDUCE THE RISK OF ELECTRICAL SHOCK OR INJURY, ALWAYS DISCONNECT THE APPLIANCE CORD FROM THE ELECTRICAL OUTLET OR REMOVE BATTERY PRIOR TO SERVICING THE UNIT.



WINDTUNNEL™ BAGLESS

7

ASSEMBLY SCHEMATIC



MODEL NO.

- U5753-900
- U5760-900
- U5786-900
- UH40115
- UH40125



WINDTUNNEL[™] BAGLESS

7

PART LISTING / PRICE LIST

ITEM	PART NUMBER	MODELS TO FIT	PART DESCRIPTION	LIST COST
1	39466088	ALL	UPPER HANDLE ASSEMBLY - DARK CHARCOAL GRAY	9.06
2	21447236	ALL	SCREW	1.12
3	21447072	ALL	SCREW	.57
4	37257305	ALL	TOOL DOOR WITH LOGO	5.44
	92001283	ALL	TOOL DOOR - SUB	4.86
5	92001088	ALL	DIRT CUP LID LATCH - BLACK	1.12
6	21447242	ALL	SCREW - SELF TAPPING	1.12
7	36155013	ALL	DIRT CUP LID LATCH HOLDER - DARK CHARCOAL GRAY	1.12
8	36433146	ALL	TOOL HOLDER - DARK CHARCOAL GRAY	9.74
9	28161075	ALL	SWITCH - 1/4" TERMINALS - TWO BLACK LEADS	2.63
10	39442048	ALL	CORD WRAP - MAGNESIUM GRAY	1.14
11	36923004	ALL	SWITCH SUPPORT - DARK CHARCOAL GRAY	2.26
12	21447246	ALL	SCREW	1.12
13	37249042	U5753900, U5760900	DIRT CUP LID	6.20
	42249015	U5786900, UH40115, UH40125	DIRT CUP LID ASSEMBLY	4.06
14	36426068	U5753900, U5760900	PRE-FILTER SUPPORT ASSEMBLY	10.12
	36426099	U5786900, UH40115, UH40125	PRE-FILTER SUPPORT ASSEMBLY	6.07
15	40140201	ALL	CARTRIDGE FILTER	16.00 NON DISC
16	37258121	ALL	WIRE CHANNEL COVER - DARK CHARCOAL GRAY	4.86
17	21447242	ALL	SCREW - SELF TAPPING	1.12
18	36433148	ALL	UPPER WAND/HOSE HOLDER - DARK CHARCOAL GRAY	3.16
19	38783027	ALL	DIRT CUP INLET SEAL - BLACK	4.53
20	42259027	ALL	BACK HOUSING ASSEMBLY - DARK CHARCOAL GRAY	40.24
21	40110006	ALL	FINAL / EXHAUST FILTER - 2 PK	3.49 NON DISC
22	37257289	ALL	FINAL / EXHAUST FILTER DOOR - MIST GRAY TRANSPARENT	6.79
23		ALL	FOAM - MUFFLER FILTER	N.A.

MODEL No.

U5753-900
U5760-900
U5786-900
UH40115
UH40125



WINDTUNNEL[™] BAGLESS

7

PART LISTING / PRICE LIST

ITEM	PART NUMBER	MODELS TO FIT	PART DESCRIPTION	LIST COST
24	37258181	U5753900	DIRT CUP LATCH COVER SHROUD - COSMIC BLUE METALLIC	5.66
	37258166	U5760900	DIRT CUP LATCH COVER SHROUD - PEWTER METALLIC	5.88
	37258210	U5786900, UH40115	DIRT CUP LATCH COVER SHROUD - SILVER	PENDING
	37258223	UH40125	DIRT CUP LATCH COVER SHROUD - GRAPHITE GRAY METALLIC	PENDING
25	37258185	U5753900	CAM SLOT CAP - COSMIC BLUE METALLIC	1.81
	37258167	U5760900	CAM SLOT CAP - PEWTER METALLIC	N.L.A.
	37258206	U5786900, UH40115, UH40125	CAM SLOT CAP - SILVER	PENDING
26	38567062	ALL	DIRT CUP LATCH COVER	2.57
27	37259016	ALL	MUFFLER FILTER COVER - DARK CHARCOAL GRAY	4.86
28	21447242	ALL	SCREW - SELF TAPPING	1.12
29	34131009	ALL	WIRE CHANNEL FOAM	1.12
30	34131019	ALL	WIRE OPENING PLUG	1.12
31	21447242	ALL	SCREW - SELF TAPPING	1.12
32	38762008	ALL	SECONDARY / INLET FILTER	2.47
33	21447072	ALL	SCREW	.57
34	27313101	ALL	LAMP - LIGHT BULB	2.26
35	47173027	ALL	WIRING HARNESS	4.53
36	27212057	ALL	MOTOR ASSEMBLY COMPLETE	62.09
37	36322030	ALL	MOTOR MOUNT - SMALL	1.12
38	21447242	ALL	SCREW - SELF TAPPING	1.12
39	43615088	ALL	SECONDARY / INLET FILTER RETAINER	4.53
40	37944024	U5753900	CIRCUIT BOARD COVER - COSMIC BLUE	5.31
	37944027	U5760900	CIRCUIT BOARD COVER - PEWTER	5.31
	37944031	U5786900, UH40115	CIRCUIT BOARD COVER - SILVER	PENDING
	37944042	UH40125	CIRCUIT BOARD COVER - GRAPHITE GRAY	PENDING
	51464006	ALL	EDF NAME PLATE	PENDING
41	39383107	ALL	LENS	2.59
42	21447228	ALL	SCREW - SELF TAPPING	.57
43	37196160	ALL	MOTOR COVER	9.06
44	21447230	ALL	SCREW - SELF TAPPING	1.12
		U5786900, UH40115, UH40125	DIRT CUP HANDLE - ORDER #45	

MODEL No.

U5753-900
U5760-900
U5786-900
UH40115
UH40125



WINDTUNNEL™ BAGLESS

7

PART LISTING / PRICE LIST

MODEL No.

U5753-900
U5760-900
U5786-900
UH40115
UH40125

ITEM	PART NUMBER	MODELS TO FIT	PART DESCRIPTION	LIST COST
45	38775077	U5753900, U5760900	DIRT CUP	40.81
	42254195	U5786900, UH40115, UH40125	COMPLETE DIRT CUP ASSEMBLY	42.77
46	39457018	U5753900, U5760900	DIRT CUP HANDLE - INNER	3.39
47	21447043	ALL	SCREW - SELF TAPPING	.57
48	39457049	U5753900	DIRT CUP HANDLE COVER	4.86
	39457033	U5760900	DIRT CUP HANDLE COVER	4.86
		U5786900, UH40115, UH40125	DIRT CUP HANDLE COVER - ORDER #45	
49	36433147	ALL	LOWER WAND HOLDER - DARK CHARCOAL GRAY	1.69
50	21447242	ALL	SCREW - SELF TAPPING	1.12
51	37253419	U5753900	HOOD / NOZZLE COVER - BLUE	17.00
	37253393	U5760900	HOOD / NOZZLE COVER - PEWTER	28.34
	42252B76	U5786900, UH40115	HOOD / NOZZLE COVER - SILVER	43.73
	42252B82	UH40125	HOOD / NOZZLE COVER - GRAPHITE GRAY	PENDING
52	21447072	ALL	SCREW	.57
53	43516010	ALL	LOWER HOSE / VALVE ASSEMBLY	13.60
54	36131094	ALL	TRUNNION COVER	1.12
55	40309004	ALL	HEIGHT ADJUSTMENT LEVER AND CAM	3.16
56	38458043	ALL	HANDLE RELEASE LEVER	2.26
57	32434007	ALL	REAR AXEL	1.12
58	38522077	U5753900, U5760900	REAR WHEEL	2.26
	43247033	U5786900, UH40115, UH40125	REAR WHEEL ASSEMBLY	6.82
59	160017--	ALL	LOCK RING	.58
60	21447228	ALL	SCREW - SELF TAPPING	.57
61	40309004	ALL	HEIGHT ADJUSTMENT LEVER AND CAM	3.16
62	38355010	ALL	TORSION SPRING	1.12
63	43248064	ALL	FRONT WHEEL ASSEMBLY COMPLETE	9.06
64	013261AY	ALL	RIB SHOES	.57
65	40309026	ALL	BOTTOM PLATE DUCT AND NOZZLE GUARD	19.27
66	38528033	ALL	FLAT BELT	1.15 NON DISC
	40201160	ALL	FLAT BELT - 2 PACK	1.50 NON DISC
67	48414132	ALL	AGITATOR / BRUSH ROLL - 15" WOODEN	17.25
68	ORDER #65	ALL	BOTTOM PLATE DUCT AND NOZZLE GUARD	N.L.A.



WINDTUNNEL™ BAGLESS

7

PART LISTING / PRICE LIST

ITEM	PART NUMBER	MODELS TO FIT	PART DESCRIPTION	LIST COST
69	21447121	ALL	SCREW	.57
70	36322037	ALL	MOTOR MOUNT - LARGE	2.59
71	43491087	ALL	HOSE ASSEMBLY	13.60
72	28382093	ALL	THERMAL PROTECTOR	7.58
73	46383334	ALL	POWER CORD - 35'	15.87
74	36215028	ALL	CORD PROTECTOR	1.81
75	36171035	ALL	HOSE CLAMP	1.12
76	37242135	ALL	MAIN BODY / NOZZLE BASE	15.87
77	39511018	ALL	LITTER PICKER - BLACK	2.26
78		ALL	GREEN LENS - SNAP IN	N.A.
79	27352030	ALL	RED LENS - SNAP IN	.60
80	46851083	ALL	PRINTED CIRCUIT BOARD	9.44
81	43486014	U5753900, U5760900	DIRT DUCT TUBE WITH MICROPHONE	4.53
	43486020	U5786900, UH40115, UH40125	DIRT DUCT TUBE WITH MICROPHONE	PENDING
	38614044	U5753900, U5760900	FURNITURE NOZZLE - GRAPHITE GRAY	5.66
	92001196	U5786900, UH40115, UH40125	FURNITURE NOZZLE - BLACK	3.39
	38617031	ALL	CREVICE TOOL - LONG GRAPHITE GRAY	5.66
	38617033	ALL	CREVICE TOOL - SHORT	3.39
	38634078	ALL	EXTENSION TUBE - BLACK	6.79
	43414197	ALL	DUSTING BRUSH ASSEMBLY - BLACK	2.68
	49129032	ALL	TURBINE HAND TOOL	14.62
	43434043	ALL	HOSE ASSEMBLY DELUXE - 20' EXTRA REACH	43.46

MODEL No.

U5753-900
U5760-900
U5786-900
UH40115
UH40125



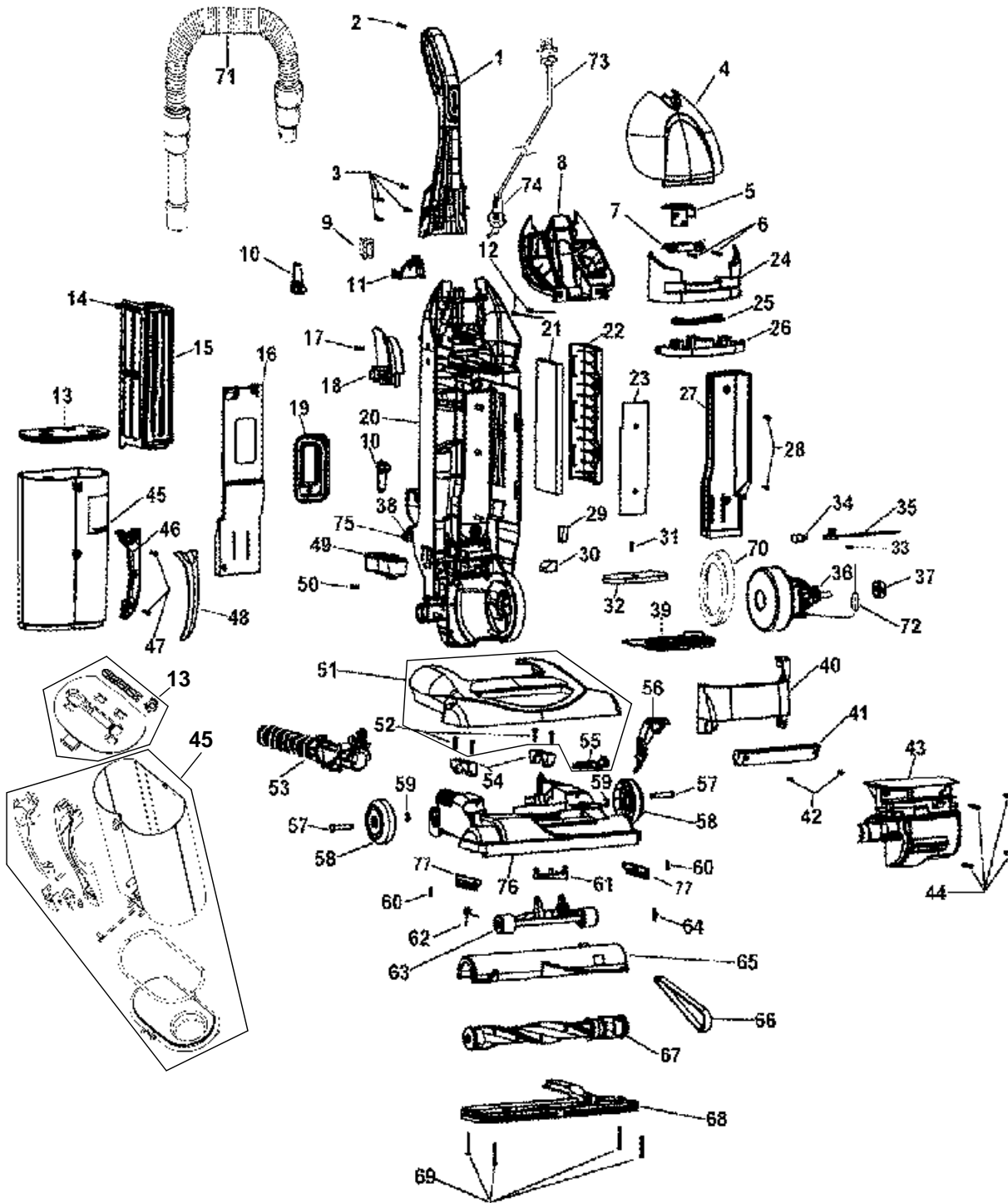
WINDTUNNEL™ BAGLESS

7

ASSEMBLY SCHEMATIC

MODEL NO.

U5762-900
UH40020
UH40065
UH40145B
UH40265





WINDTUNNEL[™] BAGLESS

7

PART LISTING / PRICE LIST

ITEM	PART NUMBER	MODELS TO FIT	PART DESCRIPTION	LIST COST
1	39466088	ALL	UPPER HANDLE ASSEMBLY - DARK CHARCOAL GRAY	9.06
2	21447236	ALL	SCREW	1.12
3	21447072	ALL	SCREW	.57
4	37257263	U5762900	TOOL DOOR WITH LOGO	9.06
	37257305	ALL	TOOL DOOR WITH LOGO	5.44
5	92001088	ALL	DIRT CUP LID LATCH - BLACK	1.12
6	21447242	ALL	SCREW - SELF TAPPING	1.12
7	36155013	ALL	DIRT CUP LID LATCH HOLDER - DARK CHARCOAL GRAY	1.12
8	36433149	U5762900	TOOL HOLDER	4.17
	36433146	ALL	TOOL HOLDER - DARK CHARCOAL GRAY	9.74
9	28161075	ALL	SWITCH - 1/4" TERMINALS - TWO BLACK LEADS	2.63
10	39442048	ALL	CORD WRAP - MAGNESIUM GRAY	1.14
11	36923004	ALL	SWITCH SUPPORT - DARK CHARCOAL GRAY	2.26
12	21447246	ALL	SCREW	1.12
13	37249042	U5762900	DIRT CUP LID - DARK CHARCOAL GRAY	6.20
	42249015	UH40020, UH40125, UH40145B, UH40265	DIRT CUP LID ASSEMBLY	4.06
14	36426068	U5762900	PRE-FILTER SUPPORT ASSEMBLY	10.12
	36426099	UH40020, UH40125, UH40145B, UH40265	PRE-FILTER SUPPORT ASSEMBLY	6.07
15	40140201	ALL	CARTRIDGE FILTER	16.00 NON DISC
16	37258121	ALL	WIRE CHANNEL COVER - DARK CHARCOAL GRAY	4.86
17	21447242	ALL	SCREW - SELF TAPPING	1.12
18	36433148	ALL	UPPER WAND/HOSE HOLDER - DARK CHARCOAL GRAY	3.16
19	38783027	ALL	DIRT CUP INLET SEAL - BLACK	4.53
20	42259027	ALL	BACK HOUSING ASSEMBLY - DARK CHARCOAL GRAY	40.24
	37255015	ALL	REAR MUFFLER COVER - DARK CHARCOAL GRAY	1.46
21	40110006	ALL	FINAL / EXHAUST FILTER - 2 PK	3.49 NON DISC
	38766030	ALL	FINAL / EXHAUST FILTER WITH SLIT - 1 EA	4.19
22	37257289	ALL	FINAL / EXHAUST FILTER DOOR - MIST GRAY TRANSPARENT	6.79
23		ALL	FOAM - MUFFLER FILTER	N.A.

MODEL No.

U5762-900
UH40020
UH40065
UH40145B
UH40265



WINDTUNNEL[™] BAGLESS

7

PART LISTING / PRICE LIST

MODEL No.

U5762-900
UH40020
UH40065
UH40145B
UH40265

ITEM	PART NUMBER	MODELS TO FIT	PART DESCRIPTION	LIST COST
24	37258166	U5762900	DIRT CUP LATCH COVER SHROUD - PEWTER METALLIC	5.88
	38258215	UH40020, UH40265	DIRT CUP LATCH COVER SHROUD - BRONZE	PENDING
	37258218	UH40065	DIRT CUP LATCH COVER SHROUD - EASY BLUE	PENDING
	37258224	UH40145B	DIRT CUP LATCH COVER SHROUD - CRIMSON	PENDING
25	37258206	ALL	CAM SLOT CAP - SILVER	PENDING
26	38567062	ALL	DIRT CUP LATCH COVER	2.57
27	37259016	ALL	MUFFLER FILTER COVER - DARK CHARCOAL GRAY	4.86
28	21447242	ALL	SCREW - SELF TAPPING	1.12
29	34131009	ALL	WIRE CHANNEL FOAM	1.12
30	34131019	ALL	WIRE OPENING PLUG	1.12
31	21447242	ALL	SCREW - SELF TAPPING	1.12
32	38762008	ALL	SECONDARY / INLET FILTER	2.47
33	21447072	ALL	SCREW	.57
34	27313101	ALL	LAMP - LIGHT BULB	2.26
35	47173027	ALL	WIRING HARNESS	4.53
36	27212057	ALL	MOTOR ASSEMBLY COMPLETE	62.09
	49811079	ALL	LEAD WIRE - WHITE 12 AMP	1.12
37	36322030	ALL	MOTOR MOUNT - SMALL	1.12
38	21447242	ALL	SCREW - SELF TAPPING	1.12
39	43615088	ALL	SECONDARY / INLET FILTER RETAINER	4.53
40	37944023	U5762900	CIRCUIT BOARD COVER - SILVER QUARTZ	5.31
	37944037	UH40020, UH40265	CIRCUIT BOARD COVER - BRONZE	PENDING
	37944039	UH40065	CIRCUIT BOARD COVER - EASY BLUE	PENDING
	37944043	UH40145B	CIRCUIT BOARD COVER - RED	PENDING
41	39383107	ALL	LENS	2.59
42	21447228	ALL	SCREW - SELF TAPPING	.57
43	37196160	ALL	MOTOR COVER	9.06
44	21447230	ALL	SCREW - SELF TAPPING	1.12
45	38775077	U5762900	DIRT CUP	40.81
	42254195	UH40020, UH40125, UH40145B, UH40265	COMPLETE DIRT CUP ASSEMBLY	42.77
46	39457018	U5762900	DIRT CUP HANDLE - INNER	3.39
		UH40020, UH40125, UH40145B, UH40265	DIRT CUP HANDLE - ORDER #45	



WINDTUNNEL[™] BAGLESS

7

PART LISTING / PRICE LIST

ITEM	PART NUMBER	MODELS TO FIT	PART DESCRIPTION	LIST COST
47	21447043	ALL	SCREW - SELF TAPPING	.57
48	39457033	U5762900	DIRT CUP HANDLE COVER	4.86
		UH40020, UH40125, UH40145B, UH40265	DIRT CUP HANDLE COVER - ORDER #45	
49	36433147	ALL	LOWER WAND HOLDER - DARK CHARCOAL GRAY	1.69
50	21447242	ALL	SCREW - SELF TAPPING	1.12
51	37253390	U5762900	HOOD / NOZZLE COVER - BLACK	N.L.A.
	42252B78	UH40020, UH40265	HOOD / NOZZLE COVER - BRONZE	43.73
	42252B75	UH40065	HOOD / NOZZLE COVER - EASY BLUE	43.73
	42252B81	UH40145B	HOOD / NOZZLE COVER - CRIMSON	PENDING
52	21447072	ALL	SCREW	.57
53	43516010	ALL	LOWER HOSE / VALVE ASSEMBLY	13.60
54	36131094	ALL	TRUNNION COVER	1.12
55	40309004	ALL	HEIGHT ADJUSTMENT LEVER AND CAM	3.16
56	38458043	ALL	HANDLE RELEASE LEVER	2.26
57	32434007	ALL	REAR AXEL	1.12
58	38522077	U5762900	REAR WHEEL	2.26
	43247033	UH40020, UH40125, UH40145B, UH40265	REAR WHEEL ASSEMBLY	6.82
59	160017--	ALL	LOCK RING	.58
60	21447228	ALL	SCREW - SELF TAPPING	.57
61	40309004	ALL	HEIGHT ADJUSTMENT LEVER AND CAM	3.16
62	38355010	ALL	TORSION SPRING	1.12
63	43248064	ALL	FRONT WHEEL ASSEMBLY COMPLETE	9.06
64	013261AY	ALL	RIB SHOES	.57
65	40309026	ALL	BOTTOM PLATE DUCT AND NOZZLE GUARD	19.27
66	38528033	ALL	FLAT BELT	1.15 NON DISC
	40201160	ALL	FLAT BELT - 2 PACK	1.50 NON DISC
67	48414132	ALL	AGITATOR / BRUSH ROLL - 15" WOODEN	17.25
68	ORDER #65	ALL	BOTTOM PLATE DUCT AND NOZZLE GUARD	N.L.A.
69	21447121	ALL	SCREW	.57
70	36322037	ALL	MOTOR MOUNT - LARGE	2.59
71	43491087	ALL	HOSE ASSEMBLY	13.60
72	28382093	ALL	THERMAL PROTECTOR	7.58

MODEL No.

U5762-900
UH40020
UH40065
UH40145B
UH40265



WINDTUNNEL™ BAGLESS

7

PART LISTING / PRICE LIST

ITEM	PART NUMBER	MODELS To FIT	PART DESCRIPTION	LIST COST
73	46383334	ALL	POWER CORD - 35'	15.87
74	36215028	ALL	CORD PROTECTOR	1.81
75	36171035	ALL	HOSE CLAMP	1.12
76	37242135	ALL	MAIN BODY / NOZZLE BASE	15.87
77	39511018	ALL	LITTER PICKER - BLACK	2.26
78	43486010	U5762900	DIRT DUCT TUBE	9.06
	43486019	UH40020, UH40125, UH40145B, UH40265	DIRT DUCT TUBE	PENDING
	38614044	U5762900	FURNITURE NOZZLE - GRAPHITE GRAY	5.66
	92001196	UH40020, UH40125, UH40145B, UH40265	FURNITURE NOZZLE - BLACK	3.39
	38617031	ALL	CREVICE TOOL - LONG GRAPHITE GRAY	5.66
	38617033	ALL	CREVICE TOOL - SHORT	3.39
	38634078	ALL	EXTENSION TUBE - BLACK	6.79
	43414197	ALL	DUSTING BRUSH ASSEMBLY - BLACK	2.68
	49129032	ALL	TURBINE HAND TOOL	14.62
	43434043	ALL	HOSE ASSEMBLY DELUXE - 20' EXTRA REACH	43.46
	59156137	UH40145B - ALL	BARE FLOOR BRUSH	12.46
	59132033	ALL	12" HARD FLOOR BRUSH - BLACK	22.67

MODEL No.

U5762-900
UH40020
UH40065
UH40145B
UH40265



WINDTUNNEL™ BAGLESS

7

NOTES

MODEL NO.

U5753-900
U5760-900
U5762-900
U5786-900
UH40020
UH40065
UH40115
UH40125
UH40145B
UH40265



SELF PROPELLED
WINDTUNNEL™

WindTunnel
SELF-PROPELLED

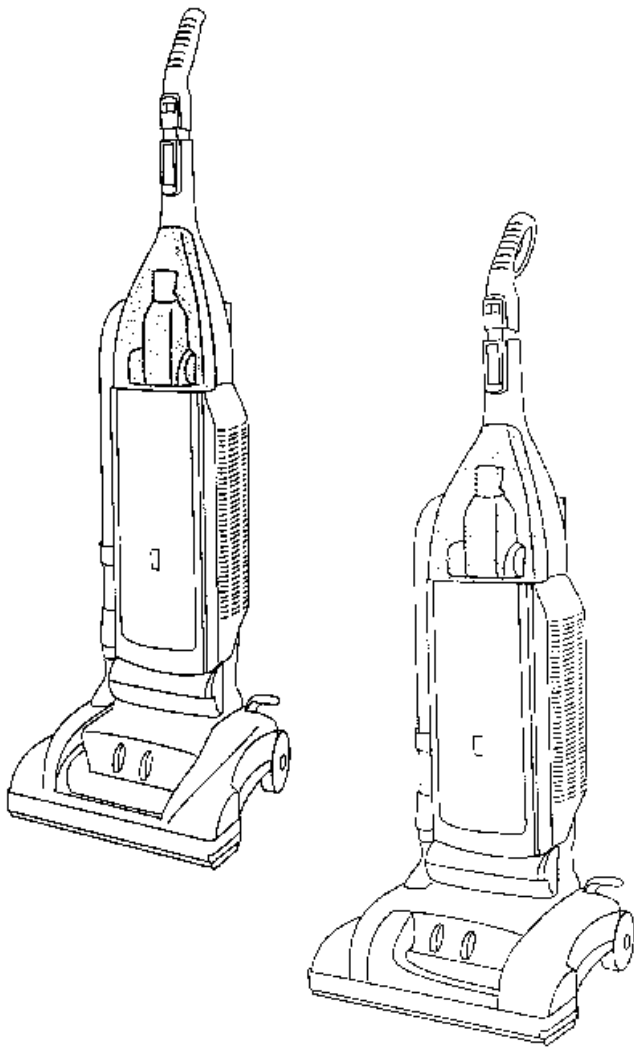
8

SECTION CONTENTS

<u>MODEL No.</u>	<u>PAGE No.</u>
U6439-900	8-2 THRU 8-10
U6454-900	8-2 THRU 8-10
U6485-900	8-2 THRU 8-10
UH50000	8-2 THRU 8-10
UH50005B	8-2 THRU 8-10

MODEL No.

U6439-900
 U6454-900
 U6485-900
 UH50000
 UH50005B



* PRICING, SPECIFICATION'S, AND PRODUCT AVAILABILITY ARE SUBJECT TO CHANGE WITHOUT NOTICE. PRICING IS FOB FACTORY, CANTON, OH

* ALL INFORMATION CONTAINED WITHIN THIS SERVICE MANUAL IS PROPRIETARY INFORMATION OF TTI FLOOR CARE NORTH AMERICA.

* **WARNING:** TO REDUCE THE RISK OF ELECTRICAL SHOCK OR INJURY, ALWAYS DISCONNECT THE APPLIANCE CORD FROM THE ELECTRICAL OUTLET OR REMOVE BATTERY PRIOR TO SERVICING THE UNIT.

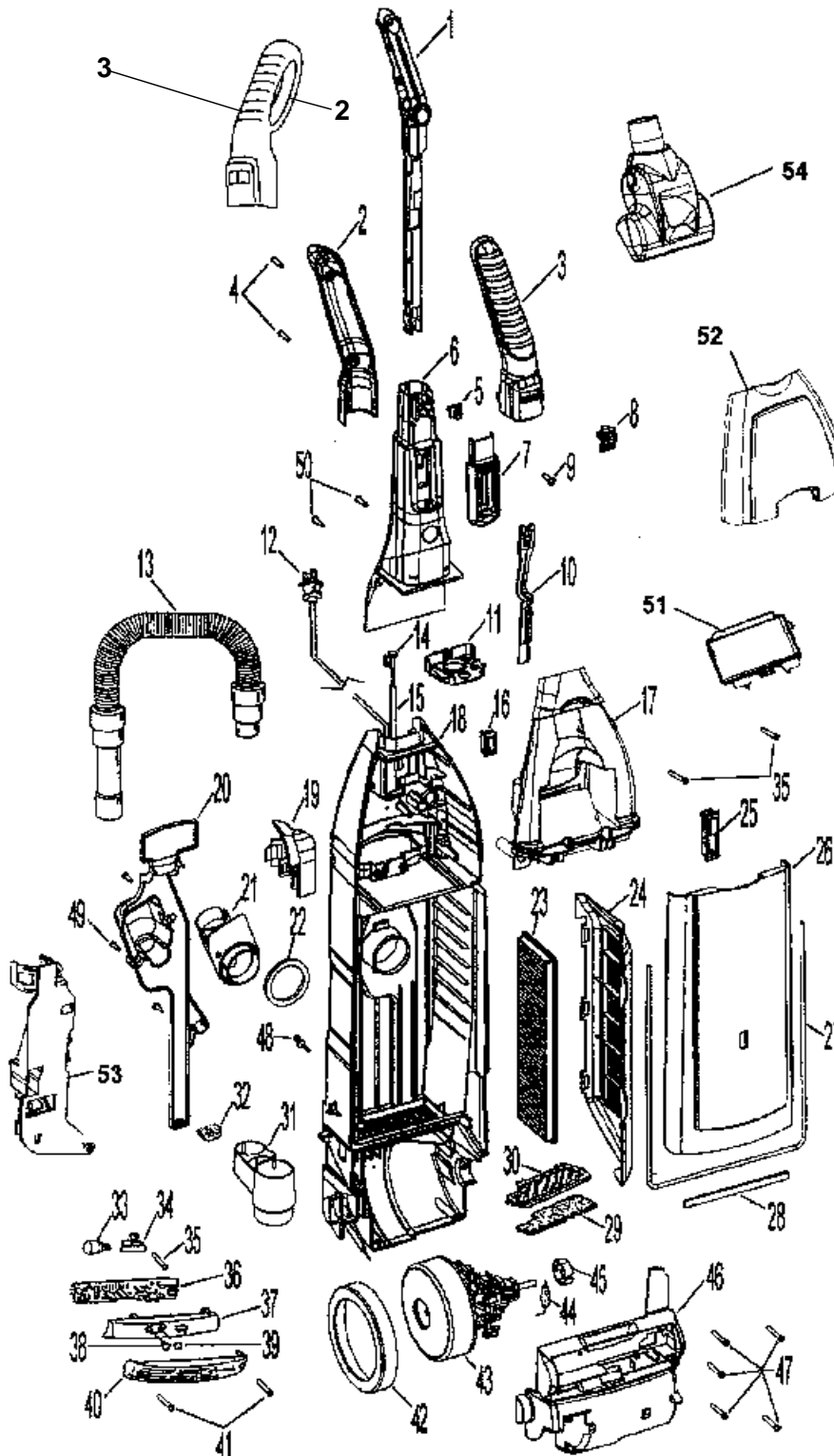


SELF PROPELLED
WINDTUNNEL™

WindTunnel
SELF-PROPELLED

8

ASSEMBLY SCHEMATIC



MODEL NO.

- U6439-900
- U6454-900
- U6485-900
- UH50000
- UH50005B



SELF PROPELLED
WINDTUNNEL™

WindTunnel
SELF-PROPELLED

8

PART LISTING / PRICE LIST

ITEM	PART NUMBER	MODELS TO FIT	PART DESCRIPTION	LIST COST
1	38512001	ALL	UPPER HANDLE GRIP	3.39
2	39454068	U6439900, U6454900	UPPER HANDLE GRIP COVER - BACK	3.39
	39454085	U6485900, UH50000, UH50005B	HANDLE GRIP COVER D SHAPE- BACK	1.52
3	39454084	ALL	UPPER HANDLE GRIP COVER - FRONT	3.64
4	21447228	ALL	SCREW - SELF TAPPING	.57
5	36142002	ALL	DRIVE CONTROL PIN - NASSAU BLUE	1.12
6	39466093	U6439900, U6454900	UPPER HANDLE - DARK CHARCOAL GRAY	9.17
	39466133	U6485900, UH50000, UH50005B	UPPER HANDLE	9.17
7	37258119	ALL	SWITCH ROD HOLDER	.89
8	92001082	ALL	SWITCH BUTTON - GRAPHITE GRAY	.57
9	21447242	ALL	SCREW - SELF TAPPING	1.12
10	38458091	ALL	SWITCH ROD	.87
11	36923003	U6439900, U6454900	SWITCH ROD GUIDE - DK CHARCOAL GRAY ORDER 36923018	N.L.A.
	36923018	U6485900, UH50000, UH50005B	SWITCH ROD GUIDE	.87
12	46383334	U6439900, U6454900	POWER CORD - 35'	15.87
13	43434031	ALL	HOSE ASSEMBLY COMPLETE	19.83
	43434042	ALL	EXTRA HOSE ASSEMBLY 20'	34.01
14	43211019	ALL	CONTROL CABLE - PUSH / PULL	3.78
15	66661205	ALL	CONTROL CABLE TUBE	3.39
16	28161075	ALL	SWITCH - 1/4" TERMINALS - TWO BLACK LEADS	2.63
	28161074	ALL - MGF AS OF 1/2010 AND AFTER	SWITCH - 1/4" TERMINALS - ONE BLACK LEADS / 1 YELLOW LEAD (LARGER SWITCH BODY)	2.63
17	36433153	ALL	TOOL HOLDER - DARK CHARCOAL GRAY	7.48
18	37255028	ALL	BACK PANEL / BAG HOUSING - DARK CHARCOAL GRAY	34.01
	521725002	ALL - MGF AS OF 1/2010 AND AFTER	BACK PANEL / BAG HOUSING - SHADOW GRAY	
19	36433136	ALL	UPPER HOSE / WAND HOLDER	2.59
20	37255010	ALL	REAR COVER - DARK CHARCOAL GRAY	3.73
21	47823004	U6439900, U6454900, U6485900, UH50005B	MICROPHONE / DUCT ASSEMBLY	9.06
	38641008	UH50000	DUCT ASSEMBLY - DARK CHARCOAL GRAY	2.59
22	31178017	ALL	HOSE CONNECTOR GASKET	1.12

MODEL No.

U6439-900
U6454-900
U6485-900
UH50000
UH50005B



SELF PROPELLED
WINDTUNNEL™

WindTunnel
 SELF-PROPELLED

8

PART LISTING / PRICE LIST

[MODEL No.](#)

ITEM	PART NUMBER	MODELS TO FIT	PART DESCRIPTION	LIST COST
23	40120101	U6439900, U6454900	HEPA FINAL / EXHAUST FILTER - 1 PACK	8.34 NON DISC
	40110006	ALL	FINAL / EXHAUST FILTER - 2 PACK	3.49 NON DISC
	38766037	U6485900, UH50000, UH50005B	FINAL / EXHAUST FILTER - 1 LAYER	2.40
24	38769004	U6439900, U6454900	FINAL / EXHAUST FILTER COVER GRILL	4.53
	38769037	U6485900, UH50000, UH50005B	FINAL / EXHAUST FILTER COVER GRILL	4.04
25	51151010	ALL	BAG INDICATOR	6.79
26	37254292	U6439900, U6454900	FRONT PANEL / BAG DOOR - GRAY	34.01
	37254284	U6485900	FRONT PANEL / BAG DOOR - TECHNO BLUE	29.52
	37254295	UH50000, UH50005B	FRONT PANEL / BAG DOOR - ALUM ALLOY	25.48
27	38781057	ALL	FRONT BAG DOOR GASKET - 34.5"	1.46
28	34123050	ALL	FRONT BAG DOOR GASKET - BOTTOM	1.12
29	38765019	ALL	SECONDARY / INLET FILTER	3.44
30	36426034	ALL	SECONDARY / INLET FILTER RETAINER	1.46
31	41426150	ALL	WAND / HOSE HOLDER	4.86
32	34131005	ALL	WIRE OPENING SEAL	1.12
33	27313101	ALL	BULB	2.26
34	47173028	ALL	WIRE HARNESS - 1/4" TERMINAL	4.53
35	21447072	ALL	SCREW	.57
36	46851083	ALL	PRINTED CURCUIT BOARD	9.44
37	37944011	U6439900, U6454900	EDF COVER - DARK CHARCOAL	5.31
	37944034	U6485900, UH50005B	EDF COVER - DARK CHARCOAL	2.96
	37944036	UH50000	BLANK EDF COVER - DARK CHARCOAL	1.41
38		U6439900, U6454900, U6485900, UH50005B	GREEN LENS - SNAP IN	N.A.
39	27352030	U6439900, U6454900, U6485900, UH50005B	RED LENS - SNAP IN	.60
40	39383100	ALL	LENS	2.59
41	21447228	ALL	SCREW - SELF TAPPING	.57
42	36322037	ALL	MOTOR MOUNT - LARGE	2.59
43	27212069	ALL	MOTOR ASSEMBLY COMPLETE	79.37
	41311017	ALL	MOTOR BRUSH	4.86
	90001206	ALL	FAN ASSEMBLY	3.39
44	28382093	ALL	THERMAL PROTECTOR	7.58
45	36322030	ALL	MOTOR MOUNT - SMALL	1.12
46	37195107	ALL	MOTOR COVER	9.06
47	21447230	ALL	SCREW - SELF TAPPING	1.12

U6439-900
 U6454-900
 U6485-900
 UH50000
 UH50005B



SELF PROPELLED
WINDTUNNEL™

WindTunnel
 SELF-PROPELLED

8

PART LISTING / PRICE LIST

ITEM	PART NUMBER	MODELS TO FIT	PART DESCRIPTION	LIST COST
48	23149001	ALL	TAPPING SCREW AND WASHER	.40
49	21447242	ALL	SCREW - SELF TAPPING	1.12
50	21447072	ALL	SCREW	.57
51	36433155	ALL	TOOL HOLDER CAP - DARK CHARCOAL GRAY	5.66
52	37257250	ALL	TOOL DOOR	6.79
53	36433154	ALL	TOOL RACK - DARK CHARCOAL GRAY	7.48
54	40200013	ALL	TURBINE TOOL	9.95 NON DISC
	36436014	ALL	HANDLE SLEEVE	2.03
	36215028	ALL	CORD PROTECTOR	1.81
	4010100Y	ALL	TYPE Y ALLERGY BAG - 3 PACK	3.62 NON DISC
	4010106Y	ALL	TYPE Y ALLERGY BAG - 3 PACK	PENDING
	4010801Y	ALL	TYPE Y HEPA BAG - 2 PACK	4.95 NON DISC
	AH10040	ALL	TYPE Y HEPA BAG - 2 PACK	4.95 NON DISC
	AH10165	ALL	TYPE Y HEPA CARBON BAG - 2 PACK	5.49 NON DISC
	39442048	ALL	CORD WRAP - MAGNESIUM GRAY	1.14
	38614044	ALL	FURNITURE NOZZLE - GRAPHITE GRAY	5.66
	38614045	ALL	FURNITURE NOZZLE - BLACK	3.39
	38617033	ALL	CREVICE TOOL - SHORT	3.39
	38617031	ALL	CREVICE TOOL - LONG GRAPHITE GRAY	5.66
	38634078	ALL	EXTENSION TUBE	6.79
	43414197	ALL	DUSTING BRUSH ASSEMBLY - BLACK	2.68

MODEL No.

U6439-900
 U6454-900
 U6485-900
 UH50000
 UH50005B



SELF PROPELLED
WINDTUNNEL™

WindTunnel
 SELF-PROPELLED

8

PART LISTING / PRICE LIST

MODEL No.

U6439-900
 U6454-900
 U6485-900
 UH50000
 UH50005B

ITEM	PART NUMBER	MODELS TO FIT	PART DESCRIPTION	LIST COST
1	37253380	U6439900	HOOD / NOZZLE COVER - GRAY	21.54
	92001249	U6454900	HOOD / NOZZLE COVER - ICE BLUE	17.00
	42252B77	U6485900	HOOD / NOZZLE COVER - TECHNO BLUE	34.08
	42252B79	UH50000, UH50005B	HOOD / NOZZLE COVER - ALUMINUM ALLOY	25.87
2	38421128	ALL	ADJUSTMENT KNOB - BLACK	2.59
3	38563026	ALL	HEIGHT ADJUSTMENT CAM	2.26
4	36143004	ALL	IDLER ARM	1.48
5	41426150	ALL	WAND / HOSE HOLDER	4.86
6	38434023	ALL	HANDLE RELEASE PEDAL - BLACK	1.98
7	32434007	ALL	REAR AXLE	1.12
8	38522077	U6439900, U6454900	REAR WHEEL	2.26
	43247033	ALL	REAR WHEEL ASSEMBLY - SOFT TREAD	6.82
9	160017--	ALL	LOCK RING	.58
10	36131096	ALL	TRUNNION COVER	1.12
11	37241185	ALL	MAIN BODY / NOZZLE BASE - DARK CHARCOAL GRAY	8.17
12	38528035	ALL	FLAT BELT	1.39 NON DISC
13	43241003	ALL	IDLER ARM ASSEMBLY	6.09
	43241006	U6439900, U6454900	IDLER PULLEY AND BEARING ASSEMBLY	4.35
14	38356014	ALL	TORSION SPRING	1.12
15	34125004	ALL	RETAINER CONTROL CABLE	1.12
	21447242	ALL	SCREW - SELF TAPPING	1.12
16	43124016	ALL	POWER DRIVE ASSEMBLY	124.73
	43143046	ALL	ACTUATOR ARM ASSEMBLY	3.16
17	38528034	ALL	V - BELT	1.50 NON DISC
18	37243051	ALL	AGITATOR / BRUSH ROLL HOUSING - TRANSPARENT GRAY LIGHT	34.01
19	36172007	ALL	HOSE CLAMP	1.46
20	21479448	ALL	SCREW - SELF TAPPING	.57
21	39511004	ALL	LITTLE PICKER / EDGE GROOMER - RED	2.26
	39511018	ALL	LITTLE PICKER / EDGE GROOMER - BLACK	2.26
22	42245030	ALL	BOTTOM PLATE / NOZZLE GUARD	18.62
23	48414160	ALL	AGITATOR / BRUSH ROLL	15.25
24	21479446	ALL	SCREW - SELF TAPPING	.57



SELF PROPELLED
WINDTUNNEL™

WindTunnel
 SELF-PROPELLED

8

PART LISTING / PRICE LIST

ITEM	PART NUMBER	MODELS TO FIT	PART DESCRIPTION	LIST COST
25	37243013	ALL	DUCT COVER - NOZZLE	3.16
26	21447242	ALL	SCREW - SELF TAPPING	1.12
27	21447228	ALL	SCREW - SELF TAPPING	.57
28	21447121	ALL	SCREW	.57
29	21751010	ALL	SCREW	.57
30	36128002	ALL	WASHER	.58
31	38781053	ALL	AGITATOR PULLEY SEAL	.93
32	91001077	U6439900, U6454900	HOOD / NOZZLE COVER - NAME PLATE	4.07
	51438034	U6485900, UH50000, UH50005B	HOOD / NOZZLE COVER - NAME PLATE	1.72
33	38537013	ALL	DRIVE PULLEY	4.53
34	43143046	ALL	ACTUATOR ARM ASSEMBLY	3.16
35	013759--	ALL	LOCK RING	.57
	36131101	ALL	CONTROL CABLE SUPPORT	2.26
	38313037	ALL	NOZZLE SPRING	N.L.A.

MODEL No.

U6439-900
 U6454-900
 U6485-900
 UH50000
 UH50005B



SELF PROPELLED
WINDTUNNEL™

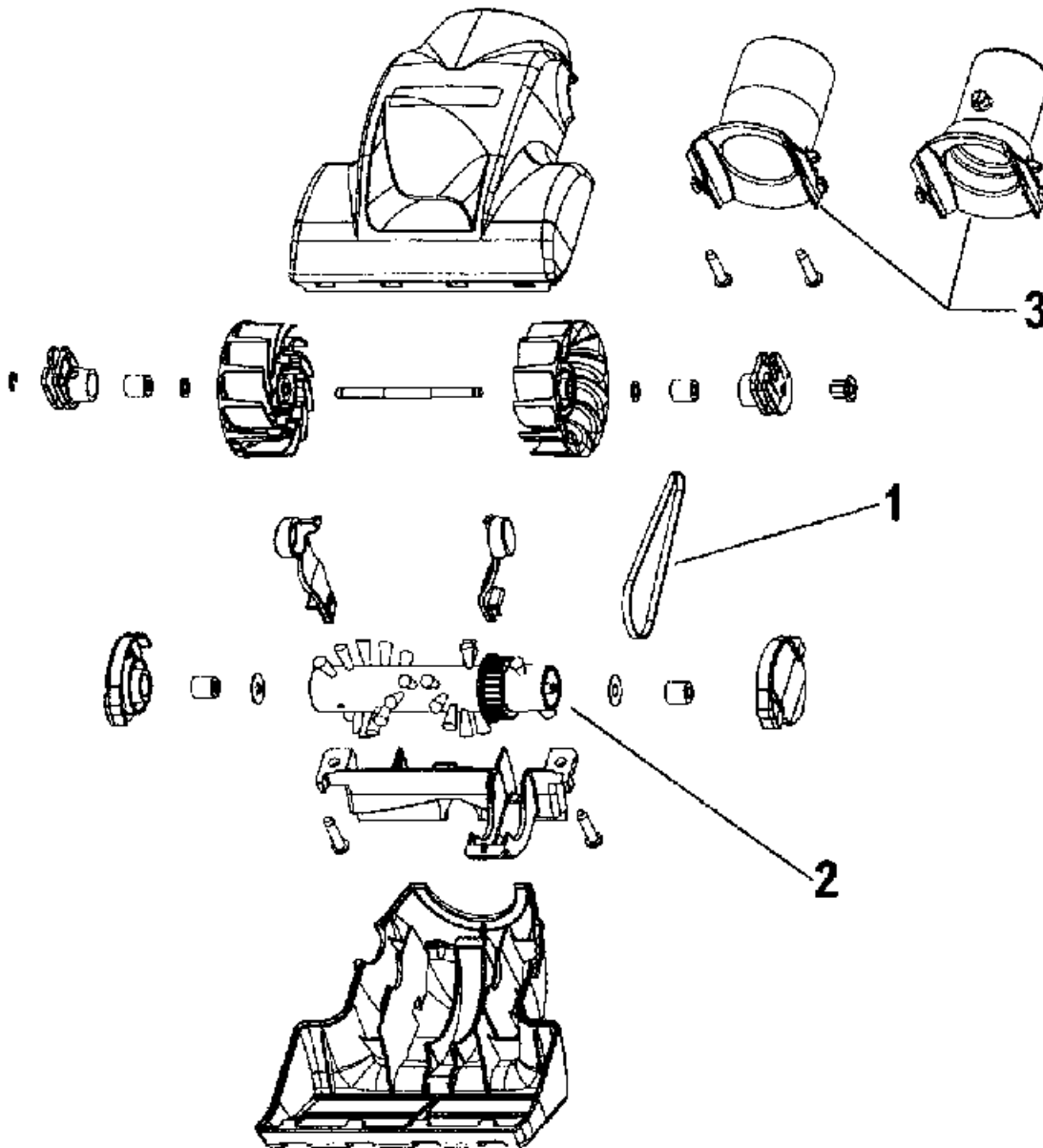
WindTunnel™
SELF-PROPELLED

8

ASSEMBLY SCHEMATIC

MODEL No.

U6439-900
U6454-900
U6485-900
UH50000
UH50005B





SELF PROPELLED
WINDTUNNEL™

WindTunnel
SELF-PROPELLED

8

PART LISTING / PRICE LIST

ITEM	PART NUMBER	MODELS TO FIT	PART DESCRIPTION	LIST COST
1	38528037	ALL	BELT	5.24
2	48414088	ALL	AGITATOR / BRUSH ROLL	18.13
3	38632013	ALL	CONNECTOR - TURBINE TOOL	.69
	40200013	U6439900	TURBINE HAND TOOL	9.95 <small>NON DISC</small>
	49129032	U6454900	TURBINE HAND TOOL	14.62
	49129044	ALL	TURBINE HAND TOOL	14.62

MODEL No.

U6439-900
U6454-900
U6485-900
UH50000
UH50005B



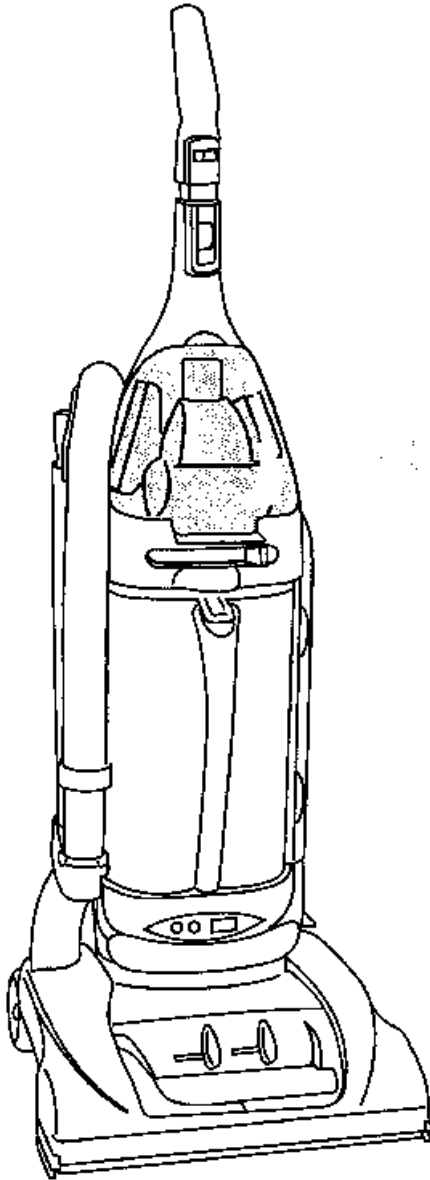
SELF PROPELLED BAGLESS
WINDTUNNEL™

SECTION CONTENTS

<u>MODEL No.</u>	<u>PAGE No.</u>
U6630-900	9-2 THRU 9-10
U6634-900	9-2 THRU 9-10
UH60000	9-2 THRU 9-10
UH60010	9-2 THRU 9-10

MODEL No.

- U6630-900
- U6634-900
- UH60000
- UH60010



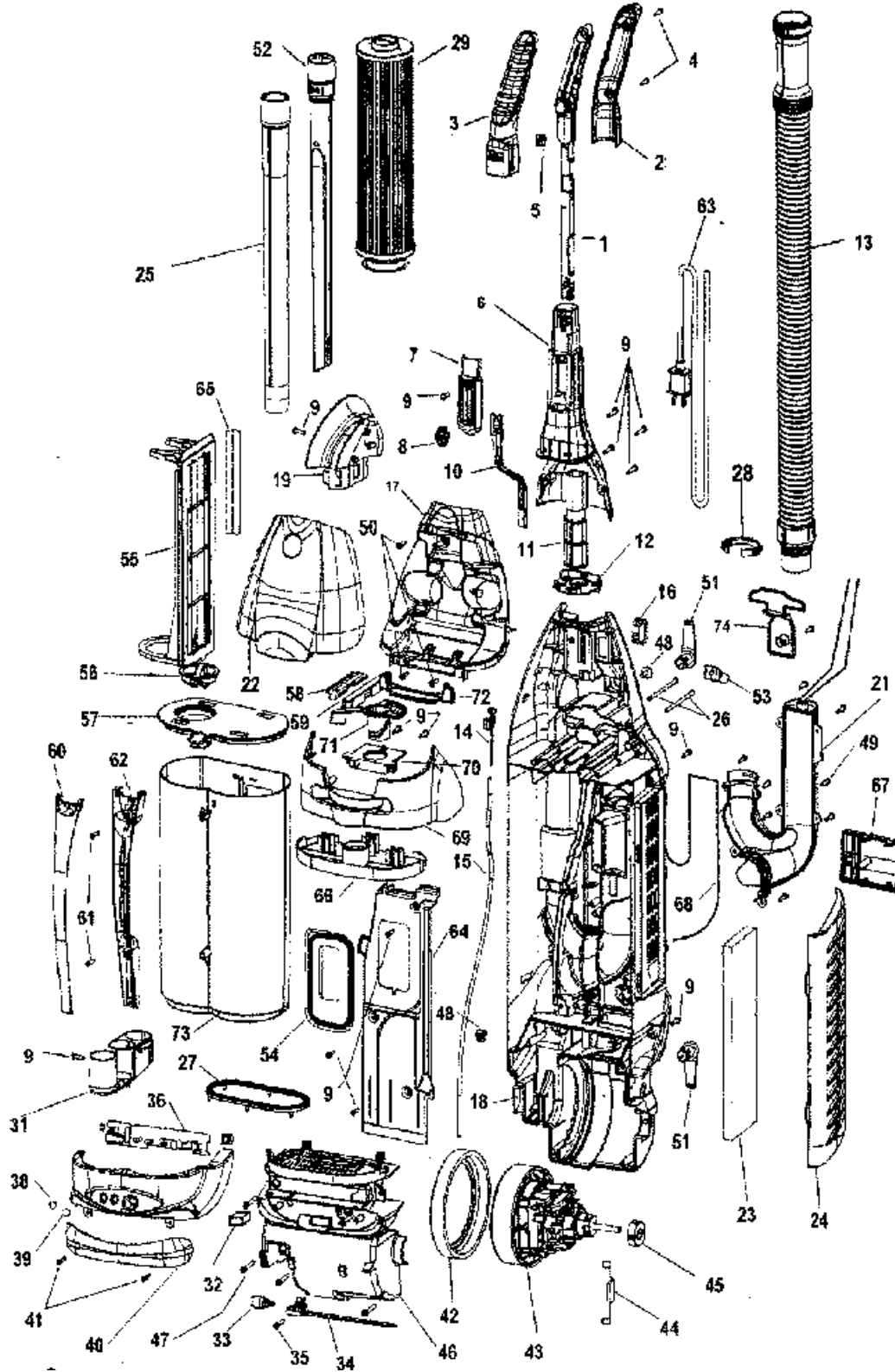
- * PRICING, SPECIFICATION'S, AND PRODUCT AVAILABILITY ARE SUBJECT TO CHANGE WITHOUT NOTICE. PRICING IS FOB FACTORY, CANTON, OH
- * ALL INFORMATION CONTAINED WITHIN THIS SERVICE MANUAL IS PROPRIETARY INFORMATION OF TTI FLOOR CARE NORTH AMERICA.
- * **WARNING:** TO REDUCE THE RISK OF ELECTRICAL SHOCK OR INJURY, ALWAYS DISCONNECT THE APPLIANCE CORD FROM THE ELECTRICAL OUTLET OR REMOVE BATTERY PRIOR TO SERVICING THE UNIT.



SELF PROPELLED BAGLESS WINDTUNNEL™

9

ASSEMBLY SCHEMATIC



MODEL NO.

U6630-900

U6634-900

UH60000

UH60010



SELF PROPELLED BAGLESS
WINDTUNNEL™

9

PART LISTING / PRICE LIST

ITEM	PART NUMBER	MODELS TO FIT	PART DESCRIPTION	LIST COST
1	38512001	ALL	UPPER HANDLE GRIP ROD	3.39
2	39454068	ALL	HANDLE GRIP - BACK	3.39
3	39454084	ALL	HANDLE GRIP - FRONT	3.64
4	21447228	ALL	SCREW - SELF TAPPING	.57
5	36142004	U6630900, UH60000, UH60010	DRIVE CONTROL PIN	1.12
	36142002	U6634900	DRIVE CONTROL PIN	1.12
6	39466110	U6630900, U6634900	UPPER HANDLE - DARK CHARCOAL GRAY	9.10
	39466137	UH60000, UH60010	UPPER HANDLE - ALLUMINUM ALLOY	
7	37258119	ALL	SWITCH ROD POCKET	.89
8	38421098	U6630900	SWITCH BUTTON - DEEP SAND	1.12
	92001082	U6634900, UH60000, UH60010	SWITCH BUTTON - GRAPHITE GRAY	.57
9	21447242	ALL	SCREW - SELF TAPPING	1.12
10	38458062	ALL	SWITCH ROD - DARK CHARCOAL GRAY	1.12
11	36436014	ALL	HANDLE SLEEVE	2.03
12	36923012	ALL	ROD GUIDE - DARK CHARCOAL GRAY	2.26
13	43434267	ALL	HOSE ASSEMBLY DELUXE	27.21
14	43211019	ALL	CONTROL CABLE - PUSH/PULL	3.78
15	66661205	ALL	CONTROL CABLE TUBE	3.39
16	28161075	ALL	SWITCH - 1/4" TERMINAL - TWO BLACK LEADS	2.63
	28161074	ALL - MGF AS OF 1/2010 AND AFTER	SWITCH - 1/4" TERMINALS - ONE BLACK LEADS / 1 YELLOW LEAD (LARGER SWITCH BODY)	2.63
17	36433157	ALL	TOOL HOLDER - DARK CHARCOAL GRAY	9.74
18	37259010	U6630900, U6634900	DIRT CUP HOUSING - DARK CHARCOAL GRAY	27.21
	37259034	UH60000, UH60010	DIRT CUP HOUSING - ALLUMINUM ALLOY	N.A.
	521724002	ALL - MGF AS OF 1/2010 AND AFTER	BACK PANEL / BAG HOUSING - SHADOW GRAY	
19	36433159	U6630900, U6634900	UPPER WAND/HOSE HOLDER	2.59
	36433267	UH60000, UH60010	UPPER WAND/HOSE HOLDER - SHADOW	
20		ALL	PART NOT AVAILABLE	N.A.
21	47823006	ALL	EDF MICRO/DUST ASSEMBLY	4.86
22	37257269	ALL	TOOL DOOR - CLEAR	8.49
23	40110006	ALL	FINAL FILTER - 2 PACK	3.49 NON DISC
24	38769009	U6630900, U6634900	FINAL FILTER GRILL - SMOKE TRANSPARENT	6.79
	38769038	UH60000, UH60010	FINAL FILTER GRILL - ALLUMINUM ALLOY	
25	38634078	ALL	EXTENSION TUBE - BLACK	6.79

MODEL No.

U6630-900
 U6634-900
 UH60000
 UH60010



SELF PROPELLED BAGLESS
WINDTUNNEL™

9

PART LISTING / PRICE LIST

ITEM	PART NUMBER	MODELS TO FIT	PART DESCRIPTION	LIST COST
26	21447246	ALL	SCREW - SV 3.125"	1.12
27	38785017	ALL	EXHAUST SEAL - BLACK	1.46
28	36172014	ALL	HOSE RETAINING CLIP - BLACK	1.12
29	40140201	ALL	CARTRIDGE FILTER	16.00 NON DISC
30		ALL		
31	36433158	U6630900, U6634900	LOWER WAND/HOSE HOLDER	2.59
	36433266	UH60000, UH60010	LOWER WAND/HOSE HOLDER - SHADOW	
32	34131019	ALL	WIRE OPENING PLUG	1.12
33	27313101	ALL	LAMP	2.26
34	47173028	ALL	WIREHARNES - 1/4" TERMINAL	4.53
35	21447072	ALL	SCREW	.57
36	46851034	ALL	EDF CIRCUIT BOARD	34.01
37	37246135	U6630900	EDF COVER - ELECTRON BLUE METALLIC	5.31
	92001083	U6634900	EDF COVER - TITANIUM GOLD METALLIC	N.L.A.
	37246173	UH60000	EDF COVER - ALLUMINUM ALLOY METALLIC	
	37246178	UH60010	EDF COVER - GRAPHITE GRAY METALLIC	
38		ALL	SNAP IN LENS - GREEN	N.A.
39	27352030	ALL	SNAP IN LENS - RED	.60
40	39383115	ALL	LENS - CLEAR	2.59
41	21447228	ALL	SCREW - SELF TAPPING	.57
42	36322037	ALL	MOTOR MOUNT - LARGE	2.59
43	27212069	ALL	MOTOR ASSEMBLY	79.37
44	28382093	ALL	THERMAL PROTECTOR	7.58
45	36322030	ALL	MOTOR MOUNT - SMALL	1.12
46	37196155	U6630900, U6634900	MOTOR COVER - DARK CHARCOAL GRAY	9.06
	37196209	UH60000, UH60010	MOTOR COVER - SHADOW GRAY	
47	21447230	ALL	SCREW - SELF TAPPING	1.12
48	23149001	U6630900, UH60000, UH60010	TAPPING SCREW & WASHER	.40
	21447242	U6634900	SCREW - SELF TAPPING	1.12
49	21447266	ALL	SCREW - SELF TAPPING	1.12
50	21447072	ALL	SCREW	.57
51	39442048	ALL	CORD WRAP - MAGNESIUM GRAY	1.14
52	38617031	ALL	CREVICE TOOL - LONG MAGNESIUM GRAY	5.66
53	36215028	ALL	CORD PROTECTOR	1.81
54	38783028	ALL	INLET SEAL - BLACK	4.53

MODEL No.

U6630-900
 U6634-900
 UH60000
 UH60010



SELF PROPELLED BAGLESS
WINDTUNNEL™

9

PART LISTING / PRICE LIST

ITEM	PART NUMBER	MODELS TO FIT	PART DESCRIPTION	LIST COST
55	36426069	ALL	PRE-FILTER ASSEMBLY - BLACK	9.52
56	38411013	ALL	KNOB - CARTRIDGE FILTER - DEEP SAND	2.03
57	37249011	ALL	DIRT CUP LID - DARK CHARCOAL GRAY	4.53
58	39511004	ALL	LITTER PICKER	2.26
59	92001084	ALL	PRE-FILTER BRUSH HOLDER	1.12
60	39457021	U6630900	DIRT CUP HANDLE COVER - ELECTRON BLUE	4.86
	92001085	U6634900	DIRT CUP HANDLE COVER - TITANIUM GOLD	N.L.A.
	39457081	UH60000, UH60010	DIRT CUP HANDLE COVER - BLACK	
61	21447043	ALL	SCREW	.57
62	39457022	U6630900, U6634900	DIRT CUP HANDLE BACK - DARK CHARCOAL	3.39
	39457082	UH60000, UH60010	DIRT CUP HANDLE BACK - ALLUMINUM ALLOY	
63	46383334	ALL	POWER CORD - 35'	15.87
64	37259017	U6630900, U6634900	MUFFLER / WIRE COVER	5.66
	37259035	UH60000, UH60010	MUFFLER / WIRE COVER - ALLUMINUM ALLOY	
65	39512023	ALL	EXPULSION BLADE	1.12
66	38567035	U6630900, U6634900	LATCH COVER - ELECTRON BLUE	7.48
	38567064	UH60000, UH60010	LATCH COVER - ALLUMINUM ALLOY METALLIC	
67	37255015	ALL	REAR MUFFLER COVER	1.46
68	38781061	ALL	GASKET - 35"	N.L.A.
69	37258145	U6630900, U6634900	LATCH COVER SHROUD - ELECTRON BLUE	N.L.A.
	37258220	UH60000	LATCH COVER SHROUD - ALLUMINUM ALLOY	
	37258226	UH60010	LATCH COVER SHROUD - GRAPHITE GRAY	
70	36155013	ALL	LATCH SLEEVE - DARK CHARCOAL GRAY	1.12
71	92001088	ALL	LID LATCH CAM - BLACK	1.12
72	37258146	U6630900, U6634900	CAM SLOT CAP - ELECTRON BLUE	1.46
	37258219	UH60000, UH60010	CAM SLOT CAP - ALLUMINUM ALLOY METALLIC	
73	38775084	ALL	DIRT CUP - SMOKE TRANSPARENT LIGHT	34.01
74	37259018	U6630900, U6634900	CABLE COVER - DARK CHARCOAL GRAY	1.12
	37259036	UH60000, UH60010	CABLE COVER - ALLUMINUM ALLOY METALLIC	
	27618508	ALL	WIRE CONNECTOR	1.12
	38614044	ALL	FURNITURE NOZZLE	5.66
	43414197	ALL	DUSTING BRUSH ASSEMBLY - BLACK	2.68
	40200013	U6630900, UH60000, UH60010	TURBINE HAND TOOL	9.95 NON DISC
	49129032	U6634900	TURBINE HAND TOOL	14.62

MODEL No.

U6630-900
 U6634-900
 UH60000
 UH60010



SELF PROPELLED BAGLESS WINDTUNNEL™

9

ASSEMBLY SCHEMATIC

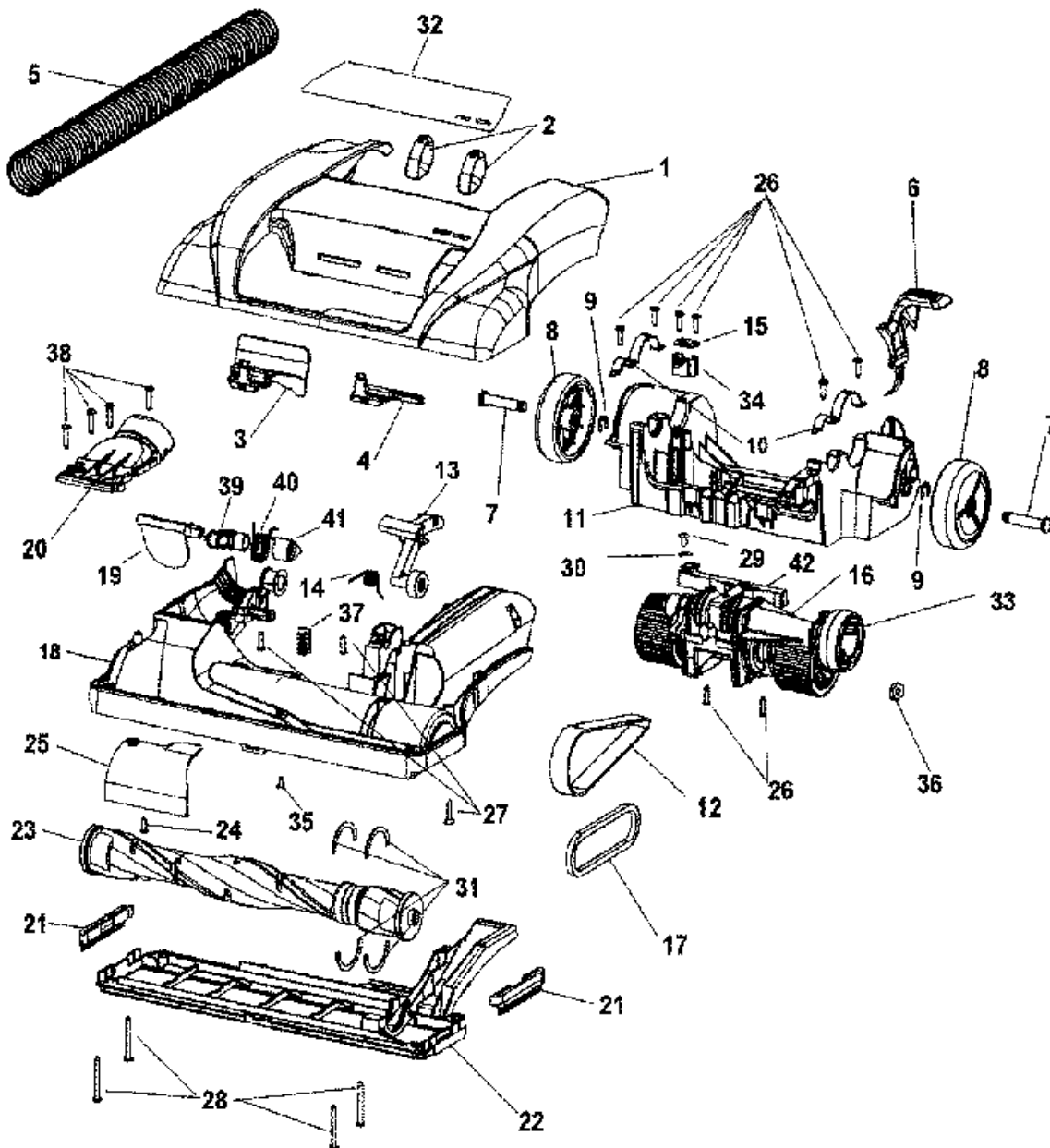
MODEL NO.

U6630-900

U6634-900

UH60000

UH60010





SELF PROPELLED BAGLESS
WINDTUNNEL™

9

PART LISTING / PRICE LIST

ITEM	PART NUMBER	MODELS TO FIT	PART DESCRIPTION	LIST COST
1	92001080	U6630900	HOOD - TITANIUM GOLD METALLIC	13.03
	37253365	U6634900	HOOD - ELECTRON BLUE METALLIC	21.54
	37253A96	UH60000	HOOD - ALLUMINUM ALLOY METALLIC	
	37253B06	UH60010	HOOD - GRAPHITE GRAY METALLIC	
2	38421128	ALL	ADJUSTMENT KNOB - BLACK	2.59
3	38563026	ALL	NOZZLE ADJUSTMENT CAM - BLACK	2.26
4	36143004	ALL	IDLER ARM LOCK	1.48
5	38671022	ALL	LOWER HOSE	7.93
6	38434023	ALL	HANDLE RELEASE PEDAL - BLACK	1.98
7	32434007	ALL	REAR AXEL	1.12
8	38522077	ALL	REAR WHEEL	2.26
9	160017--	ALL	LOCK RING	.58
10	36131096	ALL	TRUNNION COVER - ZINC/PHOSPHATE	1.12
11	37241164	U6630900, U6634900	MAIN BODY - DARK CHARCOAL GRAY	9.06
	37241187	UH60000, UH60010	MAIN BODY - SHADOW GRAY	
12	38528035	ALL	FLAT BELT	1.39 NON DISC
13	43241004	ALL	IDLER ARM ASSEMBLY ORDER 43241003 AND 51619006	N.L.A.
	43241003	ALL	IDLER ARM ASSEMBLY	6.09
	51619006	ALL	LABEL - ON/OFF BRUSH ROLL	.53
13	43241006	ALL	IDLER PULLEY & BEARING ASSEMBLY	4.35
14	38356014	ALL	TORSION SPRING	1.12
15	34125004	ALL	RETAINER - CONTROL CAB POWER DRIVE	1.12
16	43124016	ALL	POWER DRIVE ASSEMBLY	124.73
17	38528034	ALL	V - BELT	1.50 NON DISC
18	37243042	ALL	AGITATOR HOUSING W/FURNITURE GUARD	34.01
19	38718013	ALL	VALVE DOOR - BLACK	1.46
20	38715017	ALL	VALVE COVER - TRANSPARENT LIGHT GRAY	3.39
21	39511004	ALL	LITTER PICKER	2.26
22	42245030	ALL	BOTTOM PLATE / NOZZLE GUARD	18.62
23	48414160	ALL	AGITATOR / BRUSH ROLL ASSEMBLY	15.25
24	21479446	ALL	SCREW - SELF TAPPING	.57
25	37243013	ALL	DUCT COVER NOZZLE - TRANSPARENT GRAY	3.16
26	21447242	ALL	SCREW - SELF TAPPING	1.12
27	21447228	ALL	SCREW - SELF TAPPING	.57
28	21447121	ALL	SCREW - SELF TAPPING	.57

MODEL No.

U6630-900
 U6634-900
 UH60000
 UH60010



SELF PROPELLED BAGLESS
WINDTUNNEL™

9

PART LISTING / PRICE LIST

ITEM	PART NUMBER	MODELS TO FIT	PART DESCRIPTION	LIST COST
29	21751010	ALL	SCREW	.57
30	36128002	ALL	WASHER	.58
31	38781053	ALL	AGITATOR PULLEY SEAL	.93
32	51438015	U6630900, U6634900	HOOD NAME PLATE	N.L.A.
	51438036	UH60000, UH60010	HOOD NAME PLATE	N.A.
33	38537013	ALL	DRIVE PULLEY	4.53
34	36131101	ALL	CONTROL CABLE SUPPORT	2.26
35	21447263	ALL	SCREW	.57
36	160031--	ALL	NUT	.53
37	38313037	ALL	NOZZLE SPRING	N.L.A.
38	017001FW	ALL	SCREW - SELF TAPPING	1.12
39	38719049	ALL	VALVE ARM FRONT - BLACK	1.12
40	38358001	ALL	TORSION SPRING - VALVE ARM	1.12
41	38719048	ALL	VALVE ARM REAR - BLACK	1.12
42	43143046	ALL	ACTUATOR ARM ASSEMBLY	3.16

MODEL No.

U6630-900
U6634-900
UH60000
UH60010



SELF PROPELLED BAGLESS
WINDTUNNEL™

9

PART LISTING / PRICE LIST

ITEM	PART NUMBER	MODELS TO FIT	PART DESCRIPTION	LIST COST
1	38528037	ALL	BELT	5.24
2	48414088	ALL	AGITATOR / BRUSH ROLL	18.13
3	38632013	ALL	CONNECTOR	.69
	40200013	U6630900, UH60000, UH60010	TURBINE HAND TOOL	9.95 NON DISC
	49129032	U6634900	TURBINE HAND TOOL	14.62

MODEL No.

U6630-900

U6634-900

UH60000

UH60010

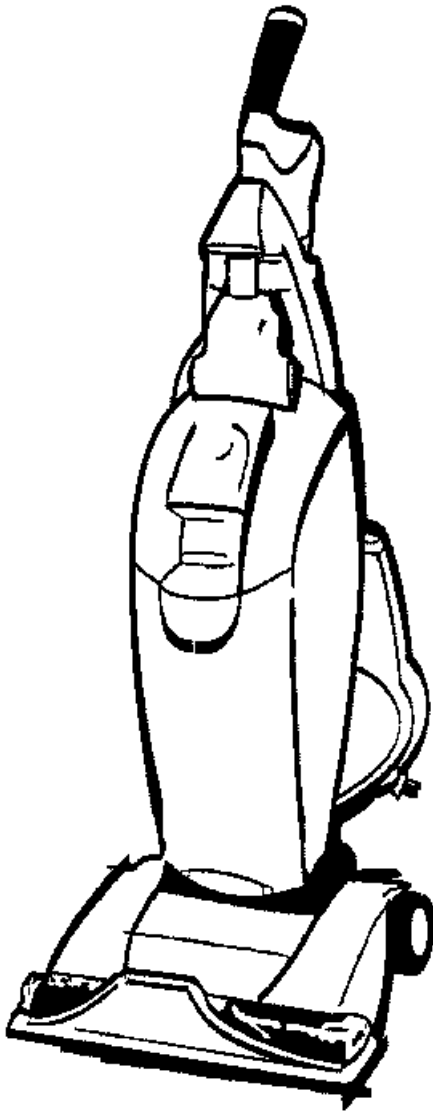


SECTION CONTENTS

<u>MODEL No.</u>	<u>PAGE No.</u>
U8311900	10-2 THRU 10-7
UH30065	10-2 THRU 10-7

MODEL No.

U8311900
UH30065



- * PRICING, SPECIFICATION'S, AND PRODUCT AVAILABILITY ARE SUBJECT TO CHANGE WITHOUT NOTICE. PRICING IS FOB FACTORY, CANTON, OH
- * ALL INFORMATION CONTAINED WITHIN THIS SERVICE MANUAL IS PROPRIETARY INFORMATION OF TTI FLOOR CARE NORTH AMERICA.
- * **WARNING:** TO REDUCE THE RISK OF ELECTRICAL SHOCK OR INJURY, ALWAYS DISCONNECT THE APPLIANCE CORD FROM THE ELECTRICAL OUTLET OR REMOVE BATTERY PRIOR TO SERVICING THE UNIT.

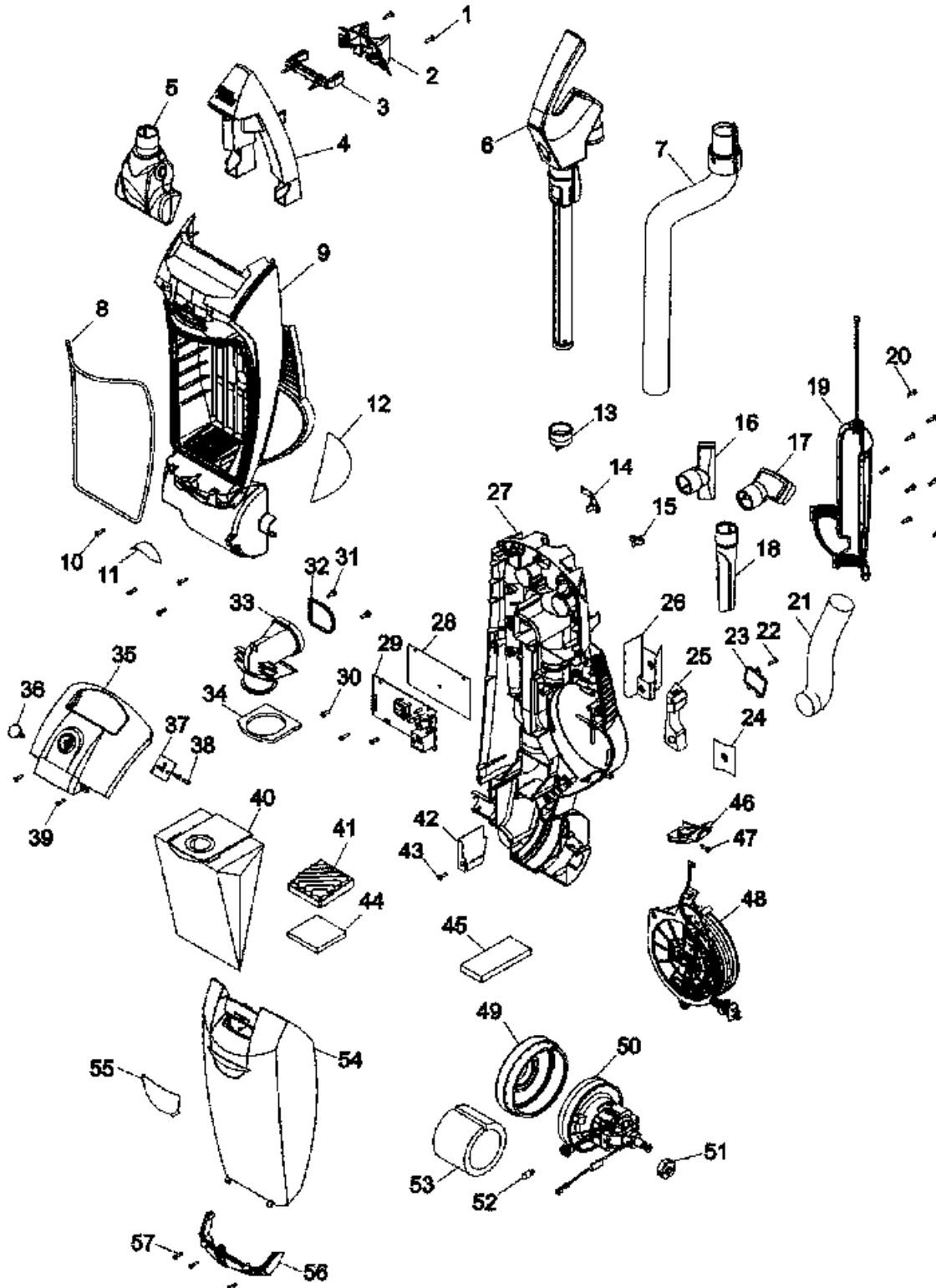


10

ASSEMBLY SCHEMATIC

MODEL NO.

U8311900
UH30065





10

PART LISTING / PRICE LIST

MODEL No.

U8311900
UH30065

ITEM	PART NUMBER	MODELS To FIT	PART DESCRIPTION	LIST COST
1	21447242	U8311900, UH30065	SCREW - SELF TAPPING	1.12
2	91001121	U8311900	WAND RELEASE LATCH RETAINER - SILVER SAND MEDIUM	1.46
3	91001139	U8311900	WAND RELEASE LATCH - SANDSTONE GRAY	2.59
4	91001154	U8311900	UPPER HANDLE COVER - SILVER SAND MED	5.66
5	49129032	U8311900, UH30065	TURBINE TOOL	14.62
6	48642100	U8311900	UPPER HANDLE / WAND ASSEMBLY	22.67
7	43431232	U8311900	HOSE ASSEMBLY	17.00
8	38781107	U8311900	BAG DOOR SEAL	2.87
9	37255042	U8311900	FRONT BAG HOUSING	29.52
10	21447242	U8311900	SCREW - SELF TAPPING	1.12
11	91001151	U8311900	REFLECTOR	N.L.A.
12	51639209	U8311900	CORD REEL NAME PLATE	1.07
13	92001290	U8311900	WAND RETAINER - BLACK	1.12
14	91001117	U8311900	HOSE CLIP	.57
15	36172039	U8311900	CORD CLIP - BLACK	.89
16	92001196	U8311900	FURNITURE NOZZLE - BLACK	3.39
17	43414197	U8311900	DUSTING BRUSH ASSEMBLY	2.68
18	38617033	U8311900	CREVICE TOOL	3.39
19	47823014	U8311900	MICRO / DUCT ASSEMBLY	6.79
20	21447242	U8311900	SCREW - SELF TAPPING	1.12
21	91001177	U8311900	LOWER HOSE	4.53
22	21447242	U8311900	SCREW - SELF TAPPING	1.12
23	37257317	U8311900	FILTER COVER PLATE	.40
24	36913045	U8311900	INSULATOR	.44
25	38422134	U8311900	CORD REEL RELEASE LEVER	.85
26	36913044	U8311900	WIRE INSULATOR	.73
27		U8311900	BACK BAG HOUSING	N.A.
28	91001123	U8311900	INSULATOR	1.12
29	46851065	U8311900	PCB BOARD - POWER	45.35
30	21447242	U8311900	SCREW - SELF TAPPING	1.12
31		U8311900	TAPPING SCREW	N.A.
32	38781108	U8311900	UPPER DIRT DUCT SEAL	2.26
33	38643024	U8311900	UPPER DIRT DUCT	2.03
34	38785027	U8311900	DIRT DUCT GASKET	1.12
35	37246163	U8311900	CONTROL PANEL COVER	3.96



10

PART LISTING / PRICE LIST

ITEM	PART NUMBER	MODELS TO FIT	PART DESCRIPTION	LIST COST
36	90001353	U8311900	POWER BUTTON	2.03
37	91001163	U8311900	PCB BOARD - ON/OFF SWITCH	7.36
38	21447242	U8311900	SCREW - SELF TAPPING	1.12
39	21447242	U8311900	SCREW - SELF TAPPING	1.12
40	43655114	U8311900	TYPE W2 HEPA BAG	7.34
	36425086	U8311900	BAG MOUNTING PLATE	4.83
41	38765029	U8311900	SECONDARY / INLET FILTER RETAINER	1.12
42	36913046	U8311900	WIRE INSULATOR	.73
43	21447242	U8311900	SCREW - SELF TAPPING	1.12
44	38765031	U8311900	SECONDARY / INLET FILTER	2.09
45	38765030	U8311900	FINAL / EXHAUST FILTER	2.09
46		U8311900	CORD CATCH	N.A.
47	21447242	U8311900	SCREW - SELF TAPPING	1.12
48	46833002	U8311900	CORD REEL ASSEMBLY	30.04
49	91001148	U8311900	MOTOR SEAL	5.66
50	91001108	U8311900	MOTOR ASSEMBLY	56.69
51	36322030	U8311900	MOTOR MOUNT - SMALL	1.12
52	27313107	U8311900	BULB	3.09
53	91001152	U8311900	FOAM MOTOR MUFFLER	2.26
54	37254273	U8311900	FRONT BAG DOOR ASSEMBLY - HYPER GREEN	22.67
	37254301	UH30065	FRONT BAG DOOR ASSEMBLY - BLUE	
55	51632019	U8311900	FRONT BAG DOOR NAME PLATE	.93
56		U8311900	LENS	N.A.
57	21447228	U8311900	SCREW - SELF TAPPING	.57

MODEL No.

U8311900
UH30065



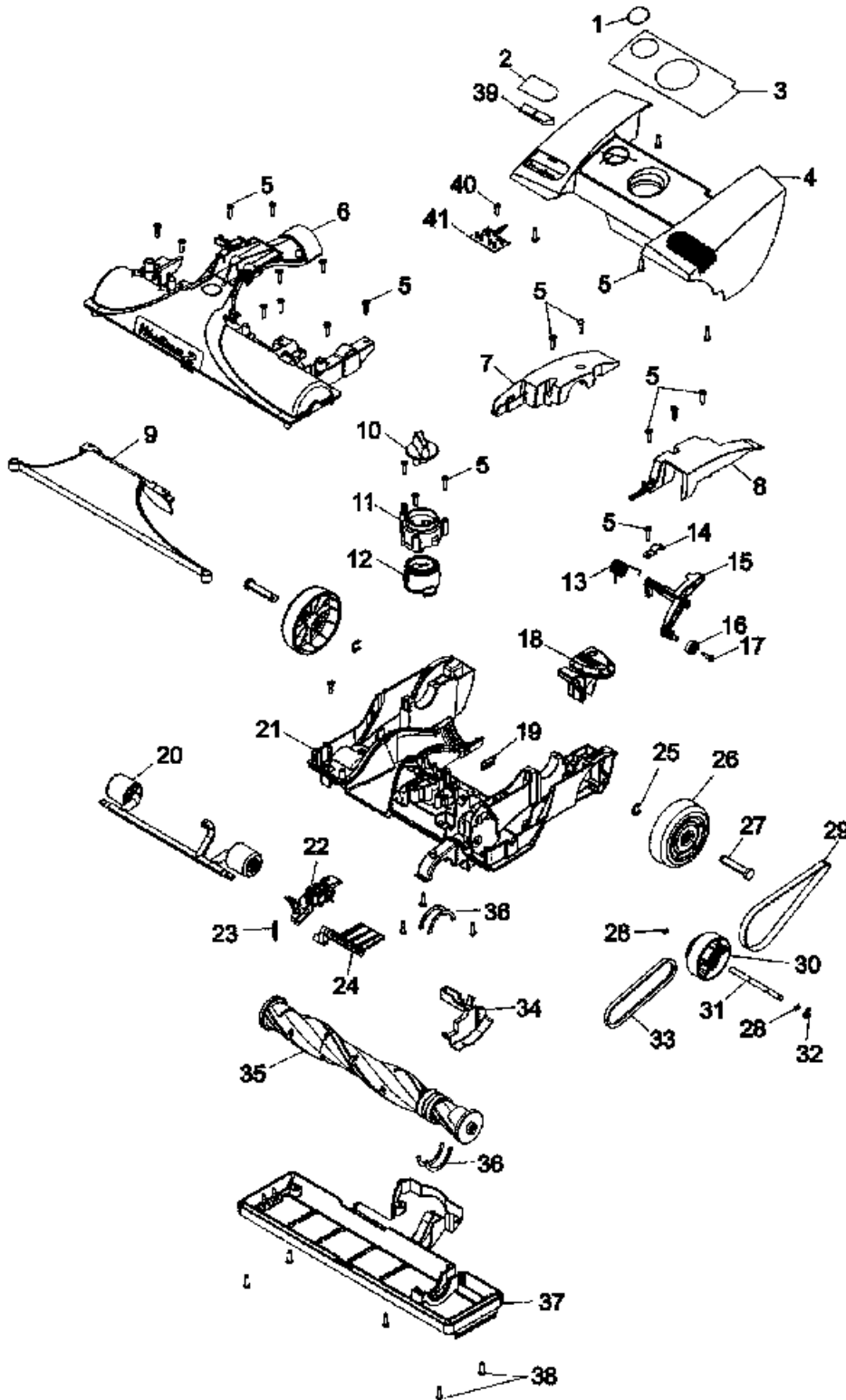
10

ASSEMBLY SCHEMATIC

MODEL NO.

U8311900

UH30065





10

PART LISTING / PRICE LIST

MODEL No.

U8311900
UH30065

ITEM	PART NUMBER	MODELS TO FIT	PART DESCRIPTION	LIST COST
1	51661020	U8311900	MEDALLION	1.46
2	51464005	U8311900	EDF LABEL	.55
3	91001169	U8311900	HOOD / NOZZLE COVER NAME PLATE	N.A.
4	91001131	U8311900	HOOD / NOZZLE COVER	9.06
5	21447242	U8311900	SCREW - SELF TAPPING	1.12
6	92001286	U8311900	AGITATOR / BRUSH ROLL HOUSING	10.20
7	36131139	U8311900	TRUNNION COVER - RIGHT SILVER SAND	1.33
8	91001112	U8311900	TRUNNION COVER - LEFT SILVER SAND	1.12
9	37243065	U8311900	NOZZLE HOUSING LINER - HYPER GREEN	3.73
	37243080	UH30065	NOZZLE HOUSING LINER - BLUE	
10	91001134	U8311900	HEIGHT ADJUSTMENT KNOB - SANDSTONE	1.12
11	91001138	U8311900	HEIGHT ADJUSTMENT CAM - BLACK	1.05
12		U8311900	CAM HOLDER	N.A.
13	38356014	U8311900	TORSION SPRING	1.12
14	91001116	U8311900	ACTUATOR ARM TRUNNION	.89
15	91001136	U8311900	IDLER PULLEY ARM	1.69
16	91001105	U8311900	BEARING	2.82
17	91001103	U8311900	SCREW - SELF TAPPING	.57
18	38434026	U8311900	HANDLE RELEASE LEVER - BLACK	2.26
19	91001165	U8311900	PCB HALL ASSEMBLY	6.79
20	91001159	U8311900	FRONT AXLE ASSEMBLY	14.16
21	91001156	U8311900	MAIN BODY / NOZZLE BASE	22.67
22	42246150	U8311900	VALVE ARM AND AGITATOR HOUSING INCLUDES #6	12.46
23	38331006	U8311900	SPRING - TURBINE ACTUATOR	1.12
24	91001142	U8311900	VALVE DOOR - BLACK	1.12
25	160017--	U8311900	LOCK RING	.58
26	92001287	U8311900	REAR WHEEL ASSEMBLY	5.66
27	32434007	U8311900	REAR AXLE	1.12
28	91001106	U8311900	RETAINING RING	.57
29	91001137	U8311900	V-BELT	8.39
30	43241009	U8311900	TRANSFER PULLEY	16.65
31	91001110	U8311900	TRANSFER PULLEY SHAFT	2.06
32	91001107	U8311900	RETAINING RING	.57
33	38528034	U8311900	V - BELT	1.50 NON DISC
34	91001128	U8311900	BELT COVER - BLACK	.69



10

PART LISTING / PRICE LIST

ITEM	PART NUMBER	MODELS TO FIT	PART DESCRIPTION	LIST COST
35	48414160	U8311900	AGITATOR / BRUSH ROLL ASSEMBLY	15.25
36	38781053	U8311900	AGITATOR / BRUSH ROLL PULLEY SEAL	.93
37	91001157	U8311900	BOTTOM PLATE / NOZZLE GUARD	7.36
38	214793DA	U8311900	SCREW	.57
39		U8311900	EDF LENS	N.A.
40	214793DA	U8311900	SCREW	.57
41	46851060	U8311900	EDF CIRCUIT BOARD	7.70
	47811008	U8311900	STATIC WIRE ASSEMBLY	8.13

MODEL No.

U8311900

UH30065



10

NOTES

MODEL NO.

U8311900

UH30065

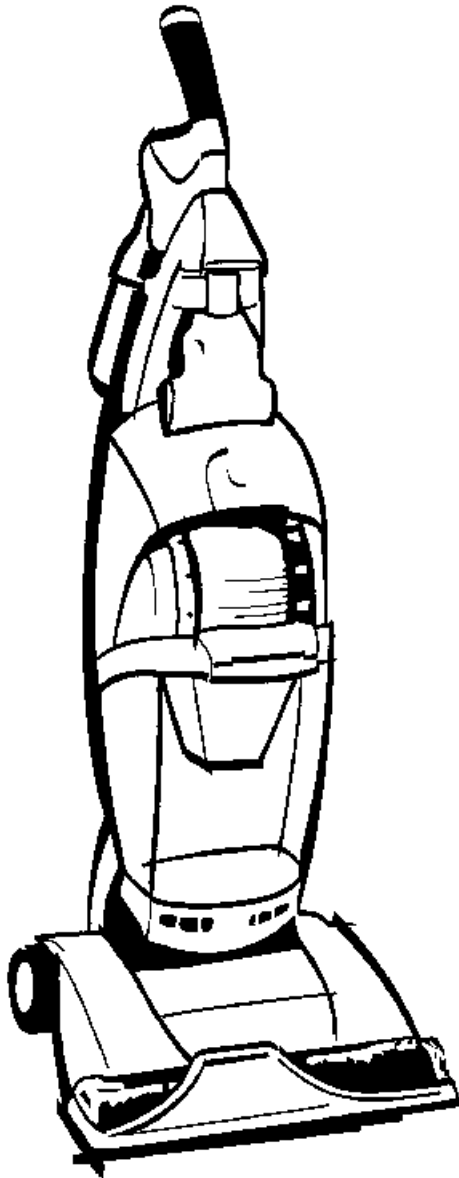


SECTION CONTENTS

<u>MODEL No.</u>	<u>PAGE No.</u>
U8347-900	11-2 THRU 11-11
U8351-900	11-2 THRU 11-11
U8351-950	11-2 THRU 11-11
U8361-900	11-12 THRU 11-20
U8371-900	11-21 THRU 11-29

MODEL No.

- U8347-900
- U8351-900
- U8351-950
- U8361-900
- U8371-900



- * PRICING, SPECIFICATION'S, AND PRODUCT AVAILABILITY ARE SUBJECT TO CHANGE WITHOUT NOTICE. PRICING IS FOB FACTORY, CANTON, OH
- * ALL INFORMATION CONTAINED WITHIN THIS SERVICE MANUAL IS PROPRIETARY INFORMATION OF TTI FLOOR CARE NORTH AMERICA.
- * **WARNING:** TO REDUCE THE RISK OF ELECTRICAL SHOCK OR INJURY, ALWAYS DISCONNECT THE APPLIANCE CORD FROM THE ELECTRICAL OUTLET OR REMOVE BATTERY PRIOR TO SERVICING THE UNIT.



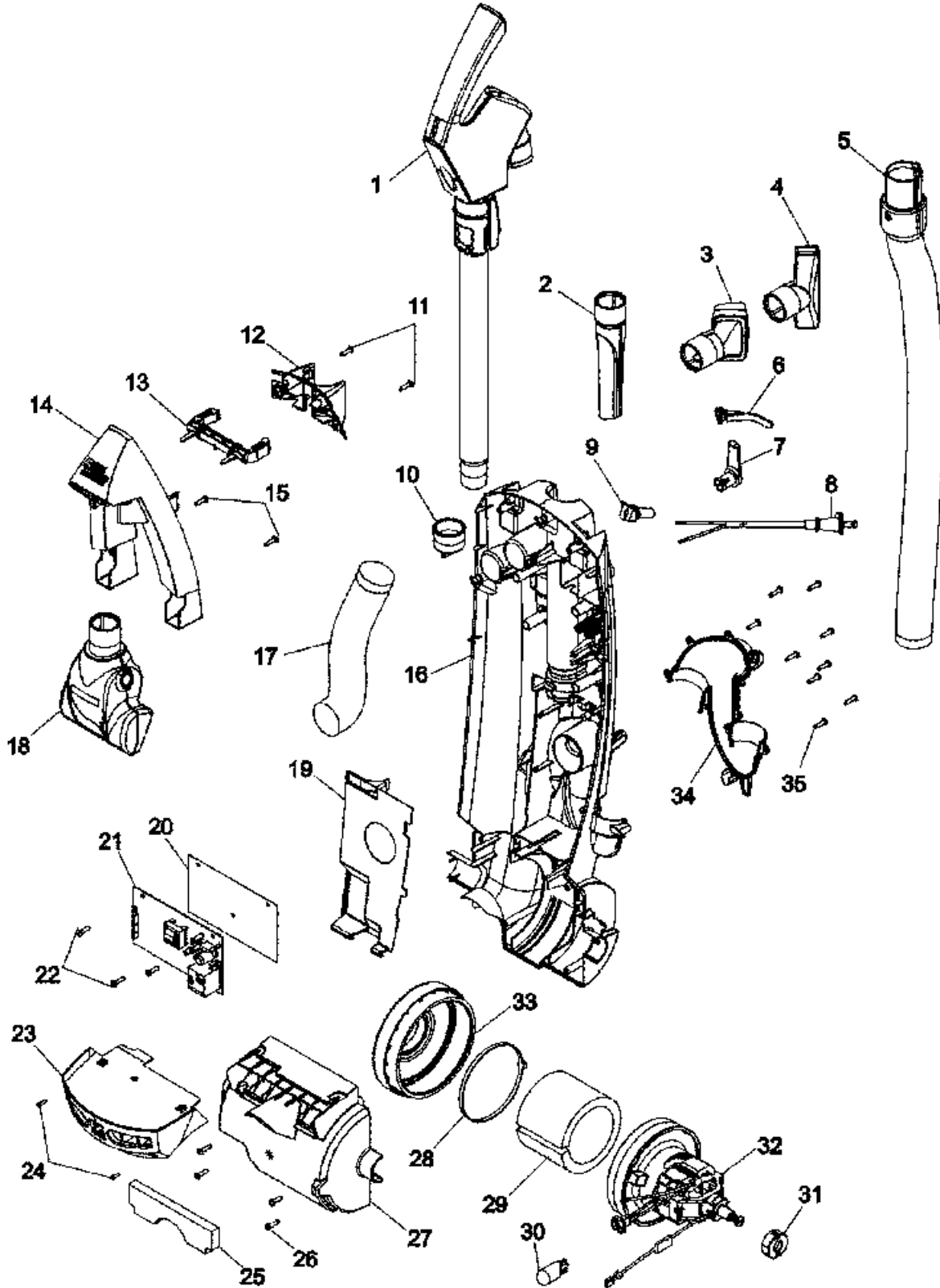
WINDTUNNEL™
EXTRA REACH™ 2

11

ASSEMBLY SCHEMATIC

MODEL NO.

U8347-900
U8351-900
U8351-950





11

PART LISTING / PRICE LIST

ITEM	PART NUMBER	MODELS TO FIT	PART DESCRIPTION	LIST COST
1	91001184	ALL	UPPER HANDLE / WAND ASSEMBLY - RED	28.34
2	38617033	ALL	CREVICE TOOL - 7"	3.39
3	43414197	ALL	DUSTING BRUSH	2.68
4	92001196	ALL	FURNITURE NOZZLE - BLACK	3.39
5	43431232	ALL	HOSE ASSEMBLY	17.00
	43434275	ALL	HOSE ASSEMBLY - BONUS HOSE	25.50
6	91001117	ALL	HOSE CLIP	.57
7	91001153	ALL	CORD WRAP	1.12
8	46383334	ALL	POWER CORD - 35'	15.87
9	36215028	ALL	CORD PROTECTOR	1.81
10	92001290	ALL	WAND RETAINER - BLACK	1.12
11	21447242	ALL	SCREW - SELF TAPPING	1.12
12	91001121	ALL	RELEASE LATCH / WAND RETAINER - SILVER SAND MEDIUM	1.46
13	91001139	ALL	WAND RELEASE LATCH - SANDSTONE GRAY	2.59
14	91001154	ALL	UPPER HANDLE COVER - SILVER SAND MEDIUM	5.66
15	21447242	ALL	SCREW - SELF TAPPING	1.12
16	92001291	ALL	UPPER HOUSING / BACK PANEL - SILVER SAND MEDIUM	22.67
17	91001177	ALL	LOWER HOSE	4.53
18	91001185	ALL	TURBINE TOOL	28.34
19	91001113	ALL	WIRE COVER	N.A.
20	91001123	ALL	INSULATOR	1.12
21	91001164	ALL	PCB - POWER BOARD	56.69
22	21447242	ALL	SCREW - SELF TAPPING	1.12
23	91001150	ALL	DIRT LENS	4.53
24	21447228	ALL	SCREW - SELF TAPPING	.57
25	38769032	ALL	FINAL / EXHAUST FILTER	2.61
26	21447242	ALL	SCREW - SELF TAPPING	1.12
27	91001125	ALL	MOTOR COVER	5.66
28	91001178	ALL	LEAD WIRE TIE	.57
29	91001152	ALL	FOAM MOTOR MUFFLER	2.26
30	27313107	ALL	BULB	3.09

MODEL No.

U8347-900
U8351-900
U8351-950



11

PART LISTING / PRICE LIST

ITEM	PART NUMBER	MODELS TO FIT	PART DESCRIPTION	LIST COST
31	36322030	ALL	MOTOR MOUNT - SMALL	1.12
32	91001108	ALL	MOTOR ASSEMBLY	56.69
33	91001148	ALL	MOTOR SEAL - BLACK	5.66
34	91001141	ALL	DIRT DUCT COVER	2.26
35	21447242	ALL	SCREW - SELF TAPPING	1.12

MODEL No.

U8347-900

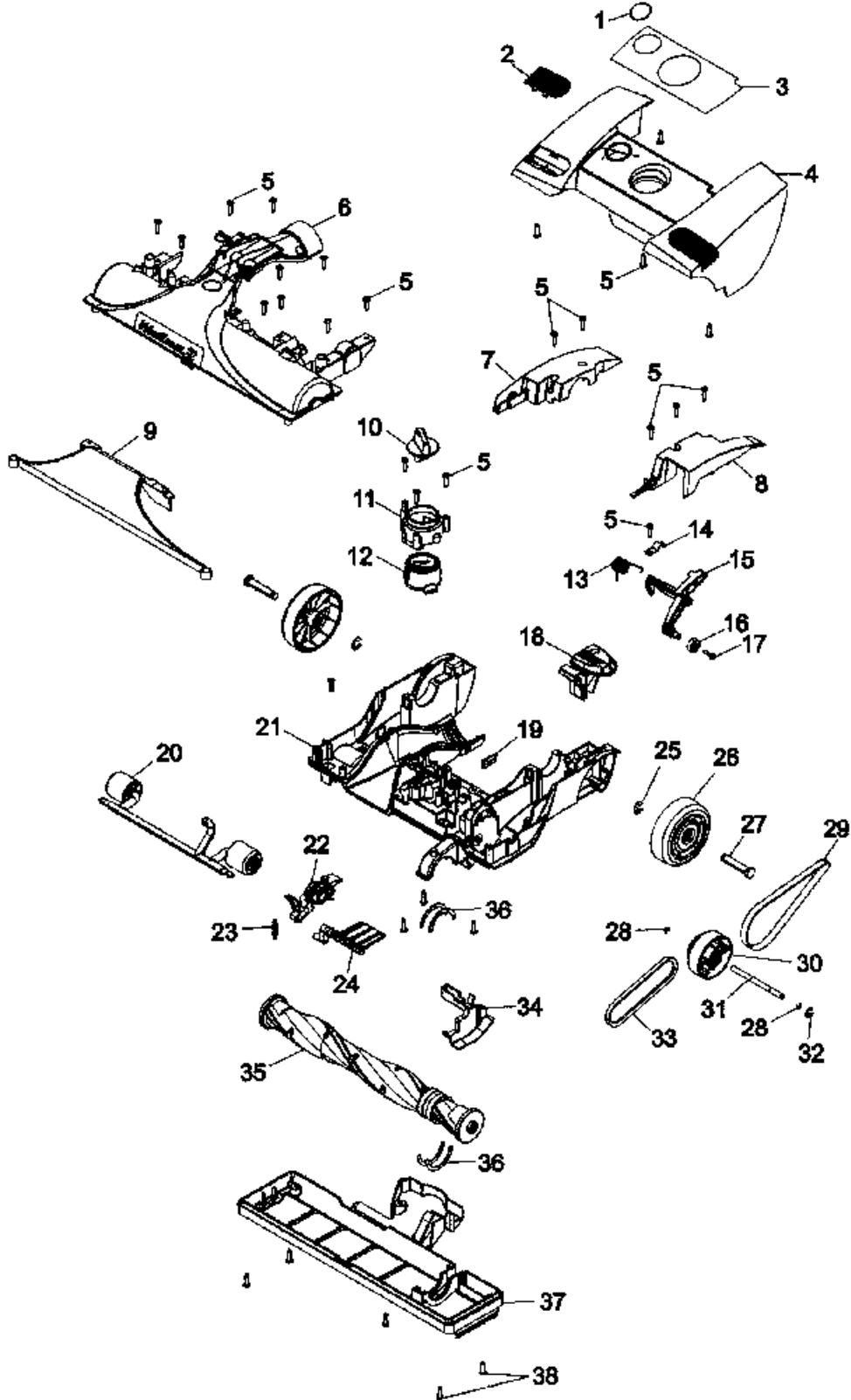
U8351-900

U8351-950



11

ASSEMBLY SCHEMATIC



MODEL NO.

U8347-900
U8351-900
U8351-950



11

PART LISTING / PRICE LIST

MODEL No.

U8347-900
U8351-900
U8351-950

ITEM	PART NUMBER	MODELS TO FIT	PART DESCRIPTION	LIST COST
1	51661020	ALL	MEDALLION	1.46
2	91001127	ALL	NON-EDF COVER	1.12
3	91001169	ALL	HOOD / NOZZLE COVER NAME PLATE	N.A.
4	91001131	ALL	HOOD / NOZZLE COVER	9.06
5	21447242	ALL	SCREW - SELF TAPPING	1.12
6	92001286	ALL	AGITATOR / BRUSH ROLL HOUSING - CLEAR	10.20
7	36131139	ALL	TRUNNION COVER - RIGHT SILVER SAND MEDIUM	1.33
8	91001112	ALL	TRUNNION COVER - LEFT SILVER SAND MEDIUM	1.12
9	91001179	ALL	NOZZLE LINER - CHERRY RED	3.73
10	91001134	ALL	HEIGHT ADJUSTMENT KNOB - SAND STONE GRAY	1.12
11	91001138	ALL	HEIGHT ADJUSTMENT CAM - BLACK	1.05
12	91001122	ALL	CAM HOLDER - BLACK	N.A.
13	38356014	ALL	TORSION SPRING	1.12
14	91001116	ALL	ACTUATOR ARM HOLDER	.89
15	91001136	ALL	IDLER PULLEY ARM	1.69
16	91001105	ALL	BEARING	2.82
17	91001103	ALL	SCREW - TAPPING	.57
18	38434026	ALL	HANDLE RELEASE LEVER - BLACK	2.26
19	91001165	ALL	PCB HALL ASSEMBLY	6.79
20	91001159	ALL	FRONT AXLE ASSEMBLY	14.16
21	91001156	ALL	MAIN BODY / NOZZLE BASE	22.67
22	42246150	ALL	VALVE ARM AND AGITATOR HOUSING INCLUDES #6	12.46
23	38331006	ALL	AGITATOR HOUSING VALVE ARM SPRING	1.12
24	91001142	ALL	VALVE DOOR	1.12
25	160017--	ALL	LOCK RING	.58
26	92001287	ALL	REAR WHEEL ASSEMBLY	5.66
27	32434007	ALL	REAR AXLE	1.12
28	91001106	ALL	RETAINING RING	.57
29	91001137	ALL	V-BELT	8.39
30	43241009	ALL	TRANSFER PULLY	16.65
31	91001110	ALL	TRANSFER PULLEY SHAFT	2.03
32	91001107	ALL	RETAINING RING	.57



11

PART LISTING / PRICE LIST

ITEM	PART NUMBER	MODELS TO FIT	PART DESCRIPTION	LIST COST
33	38528034	ALL	V - BELT	1.50 NON DISC
34	91001128	ALL	BELT COVER	.69
35	48414160	ALL	AGITATOR / BRUSH ROLL ASSEMBLY	15.25
36	38781053	ALL	AGITATOR / BRUSH ROLL PULLEY SEAL	.93
37	91001157	ALL	BOTTOM PLATE / NOZZLE GUARD	7.36
38	214793DA	ALL	SCREW - 5/8"	.57
	91001162	ALL	WIRE HARNESS	6.79
	59156137	ALL	BARE FLOOR BRUSH - 12"	12.46
	47811008	ALL	STATIC WIRE ASSEMBLY	8.13

MODEL No.

U8347-900
U8351-900
U8351-950

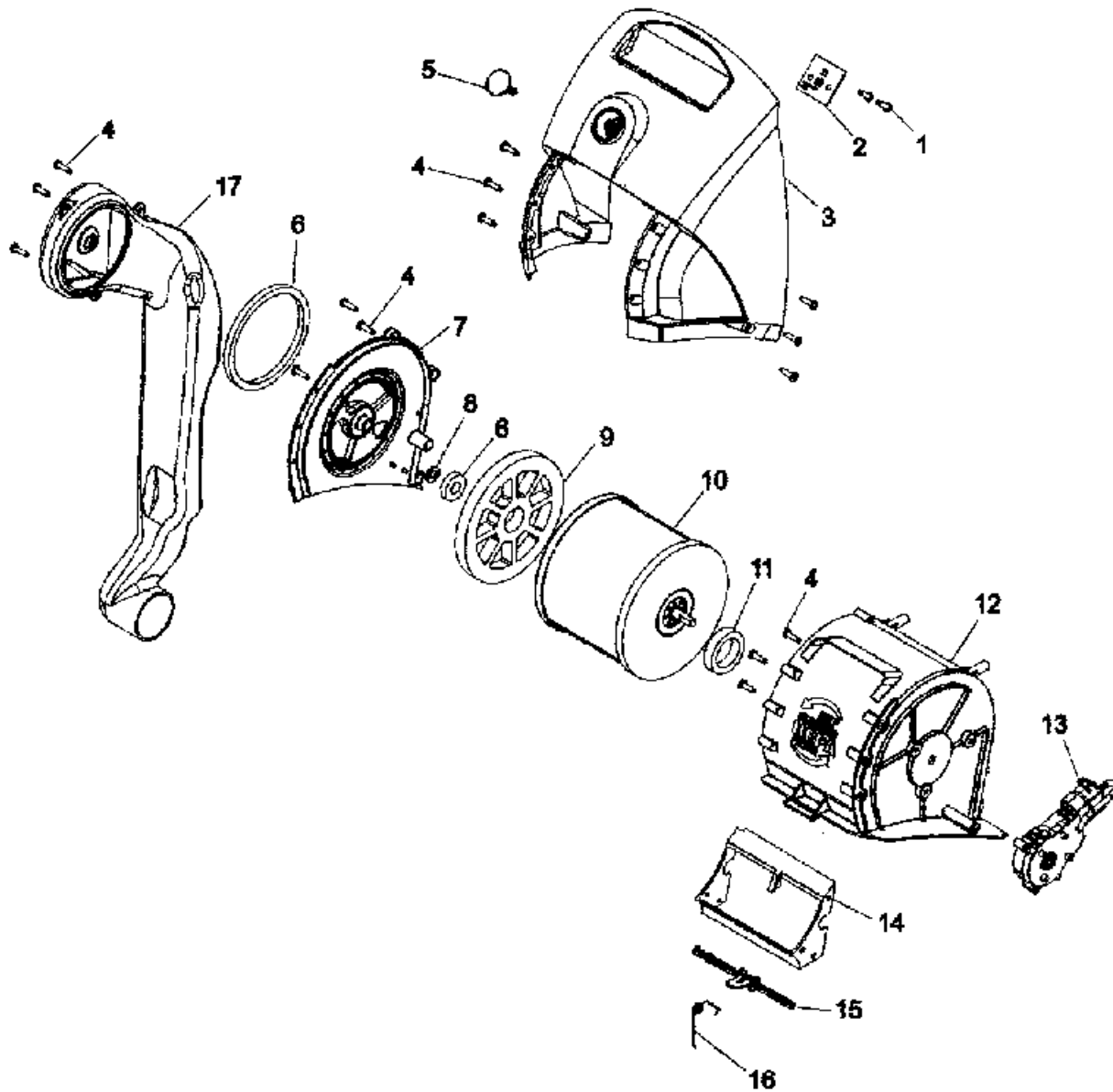


11

ASSEMBLY SCHEMATIC

MODEL NO.

U8347-900
U8351-900
U8351-950





11

PART LISTING / PRICE LIST

MODEL No.

U8347-900
U8351-900
U8351-950

ITEM	PART NUMBER	MODELS To FIT	PART DESCRIPTION	LIST COST
1	21447242	ALL	SCREW - SELF TAPPING	1.12
2	91001163	ALL	ON/OFF SWITCH	7.36
3	37258199	ALL	CARRY HANDLE COVER	10.47
4	214793DA	ALL	SCREW - 5/8"	.57
5	90001353	ALL	POWER BUTTON	2.03
6	91001147	ALL	GASKETS	2.82
7	12002820	ALL	FILTER KIT ASSEMBLY	57.74
8	91001171	ALL	THRUST WASHER	.57
9	91001172	ALL	FILTER GASKET	7.36
10	12002820	ALL	FILTER KIT ASSEMBLY	57.74
11	91001173	ALL	FILTER SPRING GASKET	2.03
12	91001181	ALL	FILTER HOUSING - CHERRY RED TRANSPNT	11.33
13	91001109	ALL	PRIMARY FILTER TRANSMISSION	15.74
14	91001143	ALL	FILTER PARTITION	1.46
15	91001155	ALL	FILTER FLICKER	1.69
16	91001175	ALL	FLICKER TORSION SPRING	.89
17	91001140	ALL	CLEAN AIR DUCT	6.79

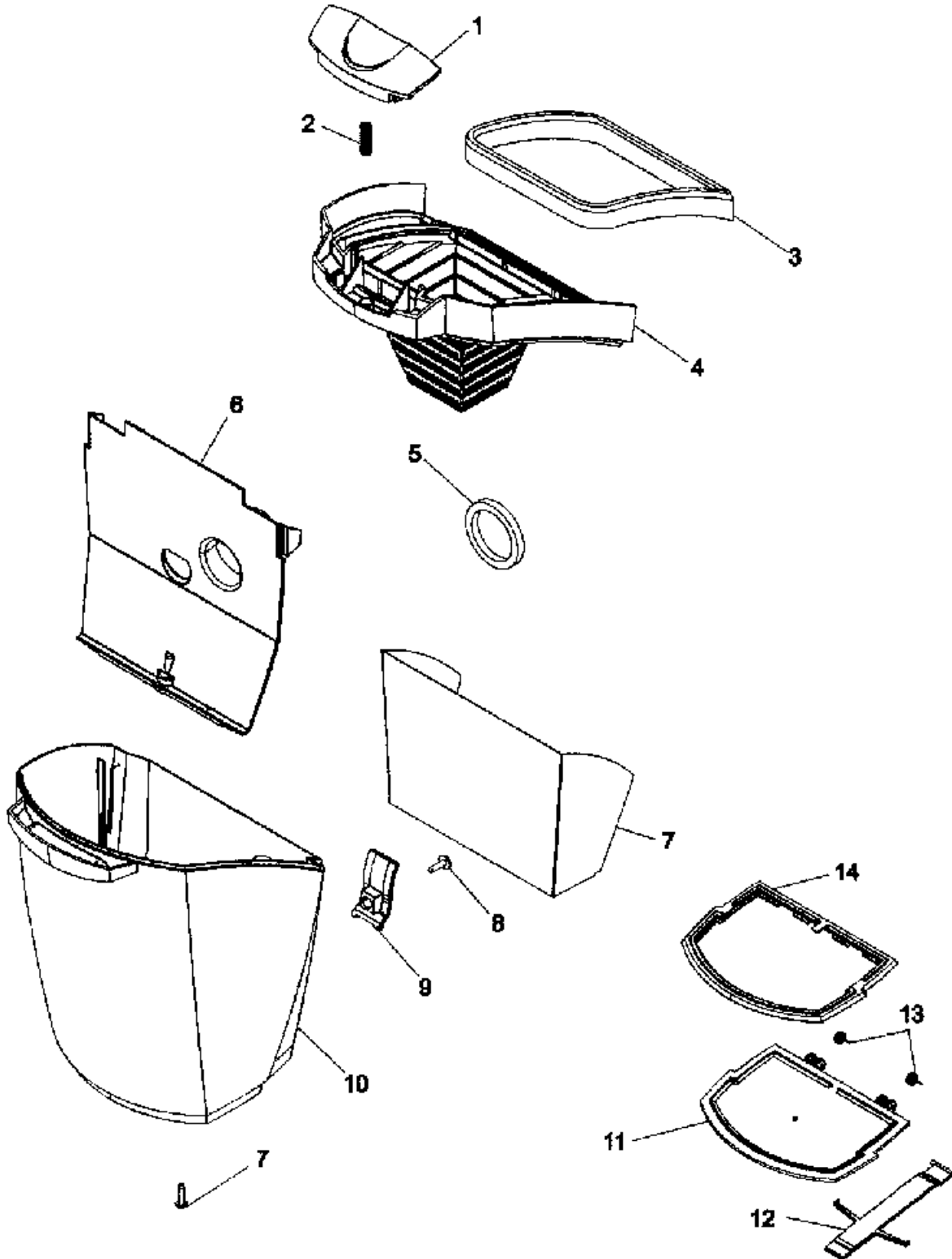


11

ASSEMBLY SCHEMATIC

MODEL NO.

U8347-900
U8351-900
U8351-950





11

PART LISTING / PRICE LIST

MODEL No.

U8347-900
U8351-900
U8351-950

ITEM	PART NUMBER	MODELS TO FIT	PART DESCRIPTION	LIST COST
1	91001115	ALL	DIRT CUP LATCH	.89
2	90001037	ALL	LATCH SPRING	1.12
3	92001288	ALL	DIRT CUP LID GASKET	7.36
4	91001182	ALL	DIRT CUP LID - CHERRY RED	14.16
5	91001147	ALL	GASKET	2.82
6	91001144	ALL	DIRT CUP PARTITION	4.53
7	92001289	ALL	DIRT CUP INSERT	1.12
8	21447242	ALL	SCREW - SELF TAPPING	1.12
9	91001135	ALL	DIRT CUP DOOR RELEASE BUTTON	1.69
10	91001183	U8351-900, U8351-950	DIRT CUP	34.01
	91001145	U8347-900	DIRT CUP	22.67
11	91001130	ALL	DIRT CUP DOOR	3.39
12	91001114	ALL	DIRT CUP DOOR LATCH LEVER	1.46
13	91001176	ALL	TORSION SPRING	.89
14	91001149	ALL	DIRT CUP DOOR GASKET	2.26
	12002864	ALL	DIRT CUP LID ASSEMBLY - KIT NEW DESIGN	14.97

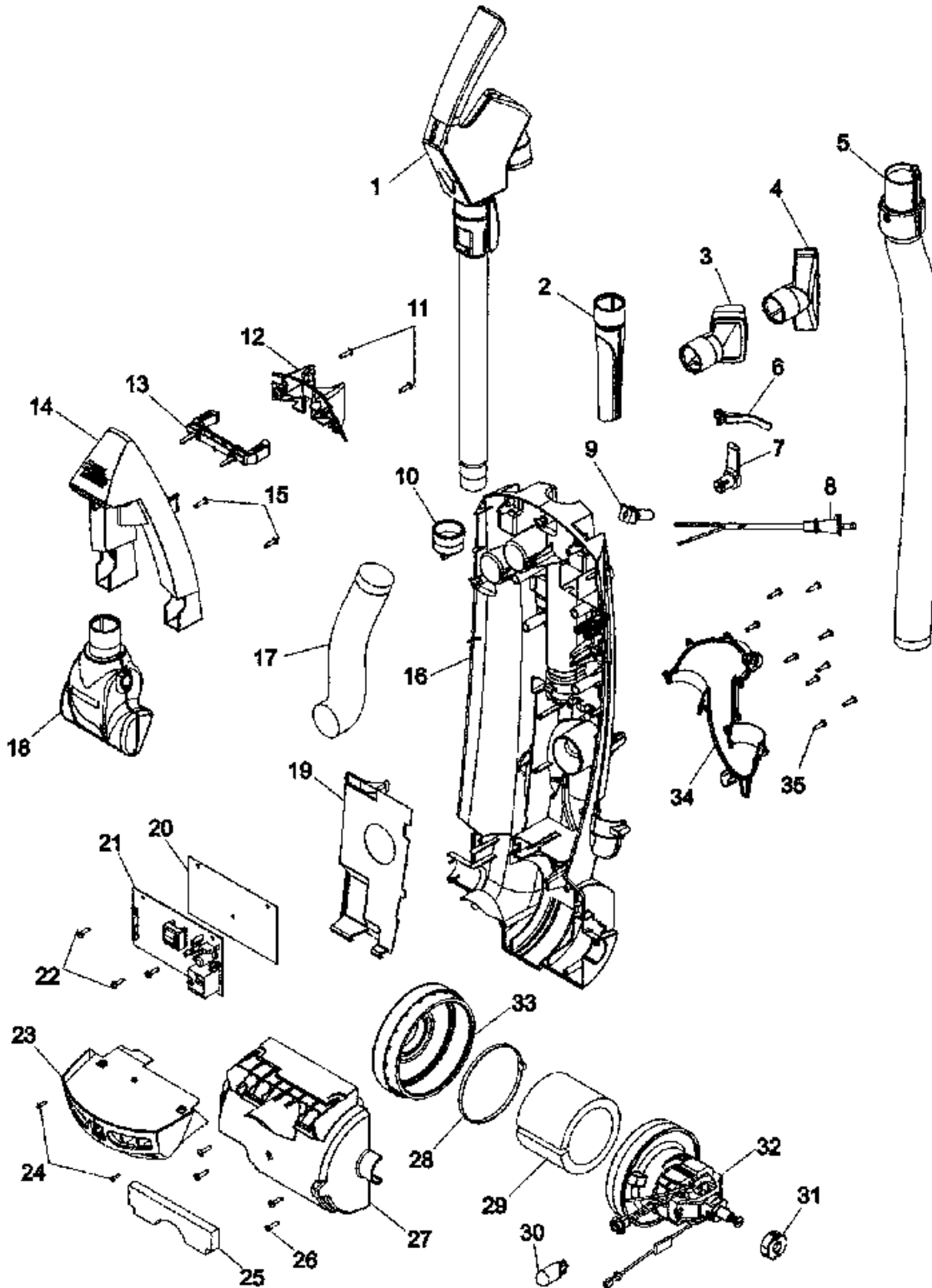


WINDTUNNEL[™] SURFACE COMMAND[™] 2

11

ASSEMBLY SCHEMATIC

MODEL NO.
U8361-900





11

PART LISTING / PRICE LIST

MODEL No.

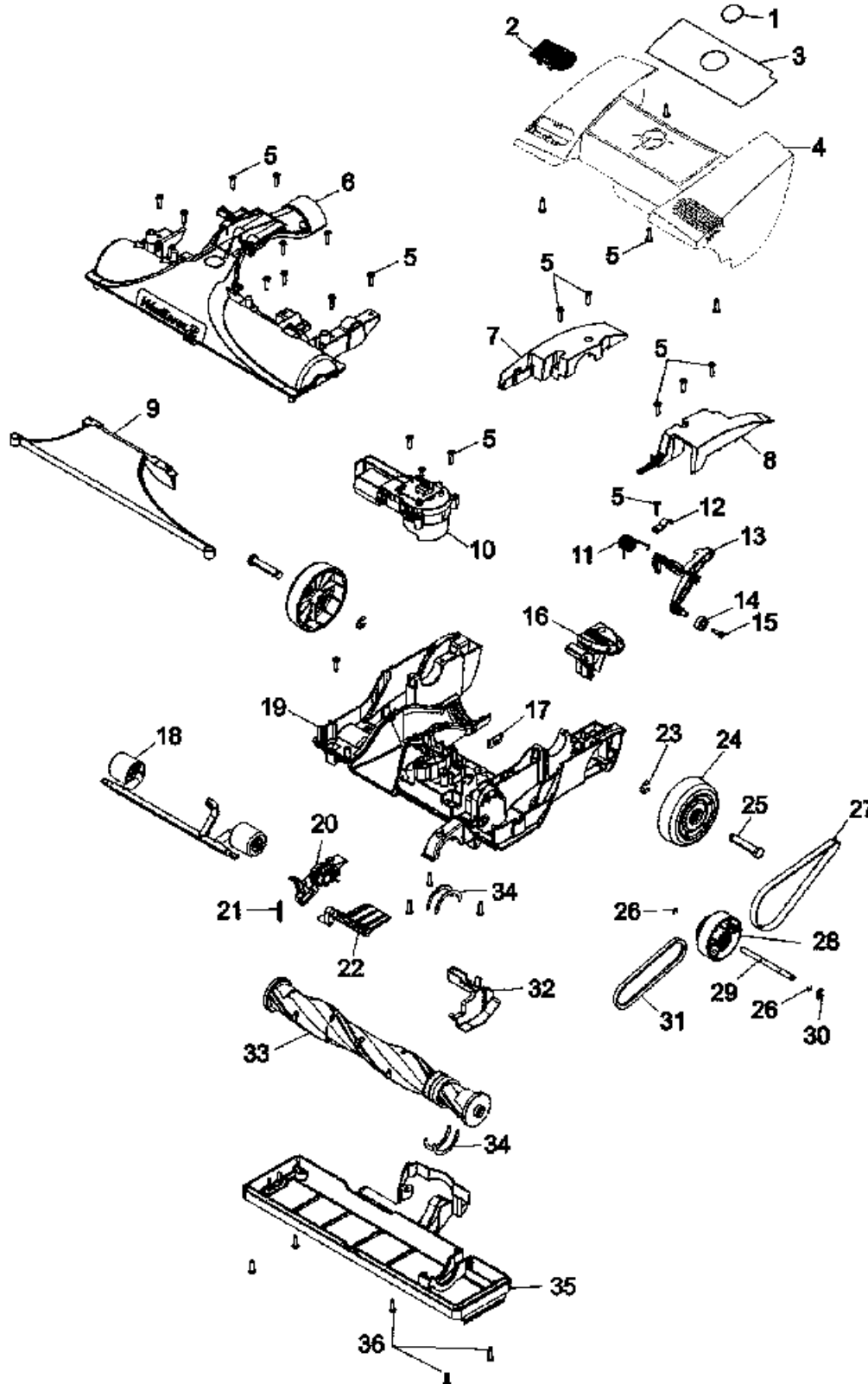
U8361-900

ITEM	PART NUMBER	MODELS TO FIT	PART DESCRIPTION	LIST COST
1	91001190	U8361-900	UPPER HANDLE / WAND ASSEMBLY	25.50
2	38617033	U8361-900	CREVICE TOOL - 7"	3.39
3	43414197	U8361-900	DUSTING BRUSH	2.68
4	92001196	U8361-900	FURNITURE NOZZLE	3.39
5	43431232	U8361-900	HOSE ASSEMBLY	17.00
	43434275	U8361-900	HOSE ASSEMBLY - BONUS HOSE	25.50
6	91001117	U8361-900	HOSE CLIP	.57
7	91001153	U8361-900	CORD WRAP	1.12
8	46383334	U8361-900	POWER CORD - 35'	15.87
9	36215028	U8361-900	CORD PROTECTOR	1.81
10	92001290	U8361-900	WAND RETAINER	1.12
11	21447242	U8361-900	SCREW - SELF TAPPING	1.12
12	91001121	U8361-900	RELEASE LATCH / WAND RETAINER	1.46
13	91001139	U8361-900	WAND RELEASE LATCH	2.59
14	91001154	U8361-900	UPPER HANDLE COVER	5.66
15	21447242	U8361-900	SCREW - SELF TAPPING	1.12
16	92001291	U8361-900	UPPER HOUSING / BACK PANEL	22.67
17	91001177	U8361-900	LOWER HOSE	4.53
18	49129032	U8361-900	TURBINE TOOL	14.62
19		U8361-900	WIRE COVER	
20	91001123	U8361-900	INSULATOR	1.12
21	46851068	U8361-900	PCB - POWER BOARD	62.24
22	21447242	U8361-900	SCREW - SELF TAPPING	1.12
23	91001150	U8361-900	DIRT LENS	4.53
24	21447228	U8361-900	SCREW - SELF TAPPING	.57
25	38769032	U8361-900	FINAL / EXHAUST FILTER	2.61
26	21447242	U8361-900	SCREW - SELF TAPPING	1.12
27	91001125	U8361-900	MOTOR COVER	5.66
28	91001178	U8361-900	LEAD WIRE TIE	.57
29	91001152	U8361-900	FOAM MOTOR MUFFLER	2.26
30	27313107	U8361-900	BULB	3.09
31	36322030	U8361-900	MOTOR MOUNT - SMALL	1.12
32	91001108	U8361-900	MOTOR ASSEMBLY	56.69
33	91001148	U8361-900	MOTOR SEAL	5.66
34	91001141	U8361-900	DIRT DUCT COVER	2.26
35	21447242	U8361-900	SCREW - SELF TAPPING	1.12



11

ASSEMBLY SCHEMATIC



MODEL NO.
U8361-900



11

PART LISTING / PRICE LIST

MODEL No.
U8361-900

ITEM	PART NUMBER	MODELS TO FIT	PART DESCRIPTION	LIST COST
1	51661020	U8361-900	MEDALLION	1.46
2	91001127	U8361-900	NON-EDF COVER	1.12
3	91001187	U8361-900	HOOD / NOZZLE COVER NAME PLATE	4.07
4	92001292	U8361-900	HOOD / NOZZLE COVER - SPLIT	8.49
5	21447242	U8361-900	SCREW - SELF TAPPING	1.12
6	92001286	U8361-900	AGITATOR / BRUSH ROLL HOUSING	10.20
7	36131139	U8361-900	TRUNNION COVER - RIGHT	1.33
8	91001112	U8361-900	TRUNNION COVER - LEFT	1.12
9	92001294	U8361-900	NOZZLE LINER - NEURON ORANGE	3.73
10	91001188	U8361-900	HEIGHT ADJUSTMENT TRANSMISSION	19.83
11	38356014	U8361-900	TORSION SPRING	1.12
12	91001116	U8361-900	ACTUATOR ARM HOLDER	.89
13	91001136	U8361-900	IDLER PULLEY ARM	1.69
14	91001105	U8361-900	BEARING	2.82
15	91001103	U8361-900	SCREW - TAPPING	.57
16	38434026	U8361-900	HANDLE RELEASE LEVER	2.26
17	91001165	U8361-900	PCB HALL ASSEMBLY	6.79
18	91001159	U8361-900	FRONT AXLE ASSEMBLY	14.16
19	91001156	U8361-900	MAIN BODY / NOZZLE BASE	22.67
20	42246150	U8361-900	VALVE ARM AND AGITATOR HOUSING INCLUDES #6	12.46
21	38331006	U8361-900	VALVE ARM SPRING	1.12
22	91001142	U8361-900	VALVE DOOR	1.12
23	160017--	U8361-900	LOCK RING	.58
24	92001287	U8361-900	REAR WHEEL ASSEMBLY	5.66
25	32434007	U8361-900	REAR AXLE	1.12
26	91001106	U8361-900	RETAINING RING	.57
27	91001137	U8361-900	V-BELT	8.39
28	43241009	U8361-900	TRANSFER PULLEY	16.65
29	91001110	U8361-900	TRANSFER PULLEY SHAFT	2.03
30	91001107	U8361-900	RETAINING RING	.57
31	38528034	U8361-900	V - BELT	1.50 NON DISC
32	91001128	U8361-900	BELT COVER	.69
33	48414160	U8361-900	AGITATOR / BRUSH ROLL ASSEMBLY	15.25
34	38781053	U8361-900	AGITATOR / BRUSH ROLL PULLEY SEAL	.93
35	91001157	U8361-900	BOTTOM PLATE / NOZZLE GUARD	7.36



11

PART LISTING / PRICE LIST

ITEM	PART NUMBER	MODELS TO FIT	PART DESCRIPTION	LIST COST
36	214793DA	U8361-900	SCREW	.57
	91001193	U8361-900	WIRE HARNESS	N.L.A.
	59156137	U8361-900	BARE FLOOR BRUSH - 12"	12.46
	47811008	U8361-900	STATIC WIRE ASSEMBLY	8.13

MODEL No.

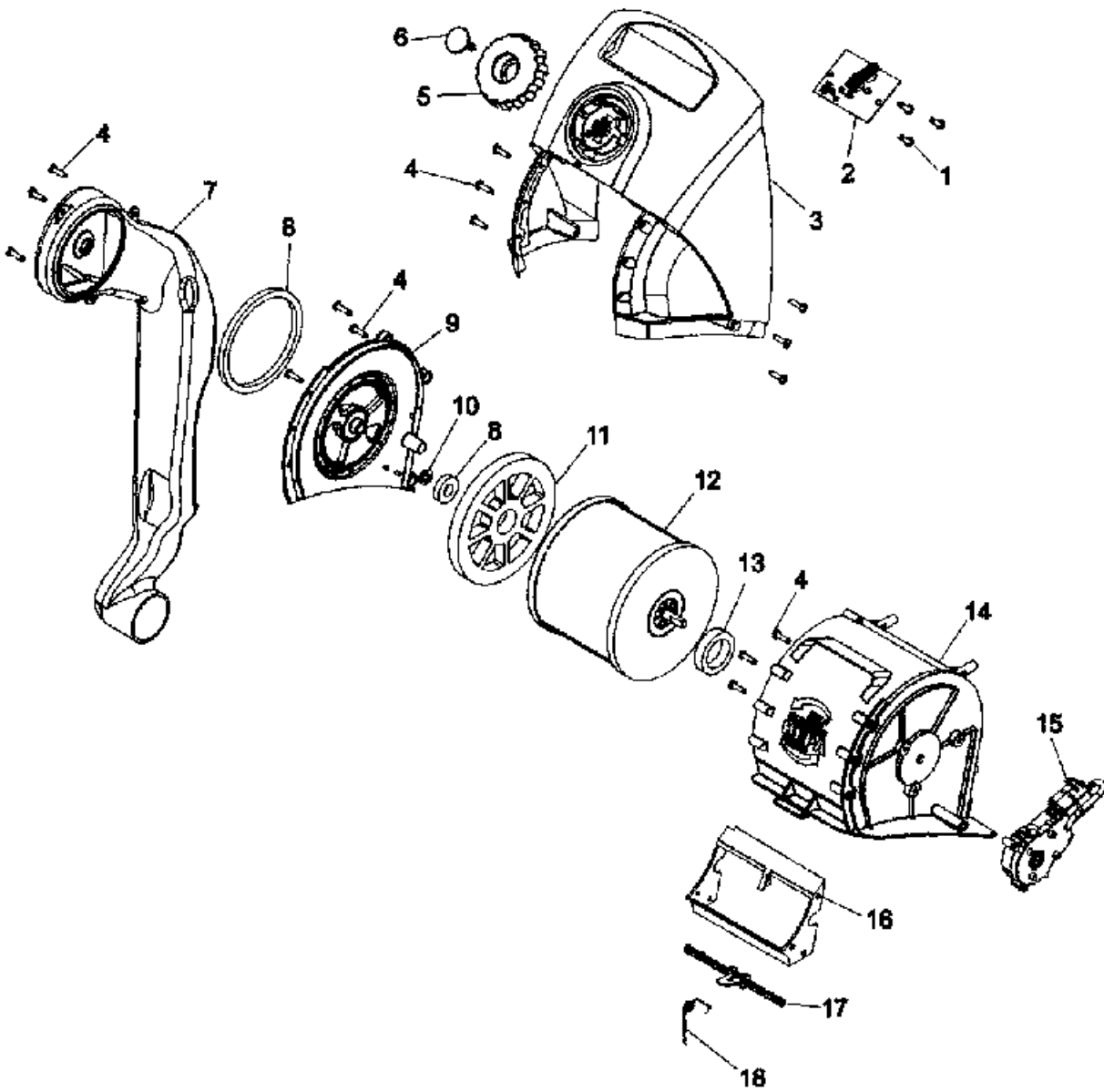
U8361-900



11

ASSEMBLY SCHEMATIC

MODEL NO.
U8361-900





11

PART LISTING / PRICE LIST

ITEM	PART NUMBER	MODELS TO FIT	PART DESCRIPTION	LIST COST
1	21447242	U8361-900	SCREW - SELF TAPPING	1.12
2	91001189	U8361-900	PCB HEIGHT ADJUSTMENT BOARD	8.49
3	37258198	U8361-900	CARRY HANDLE COVER	19.79
4	214793DA	U8361-900	SCREW	.57
5	38411041	U8361-900	HEIGHT ADJUSTMENT KNOB	9.01
6	90001353	U8361-900	POWER BUTTON	2.03
7	91001140	U8361-900	CLEAN AIR DUCT	6.79
8	91001147	U8361-900	GASKET	2.82
9	12002820	U8361-900	FILTER KIT ASSEMBLY	57.74
10	91001171	U8361-900	THRUST WASHER	.57
11	91001172	U8361-900	FILTER GASKET	7.36
12	12002820	U8361-900	FILTER KIT ASSEMBLY	57.74
13	91001173	U8361-900	FILTER SPRING GASKET	2.03
14	92001296	U8361-900	FILTER HOUSING	9.06
15	91001109	U8361-900	PRIMARY FILTER TRANSMISSION	15.74
16	91001143	U8361-900	FILTER PARTITION	1.46
17	91001155	U8361-900	FILTER FLICKER	1.69
18	91001175	U8361-900	FLICKER TORSION SPRING	.89

MODEL No.

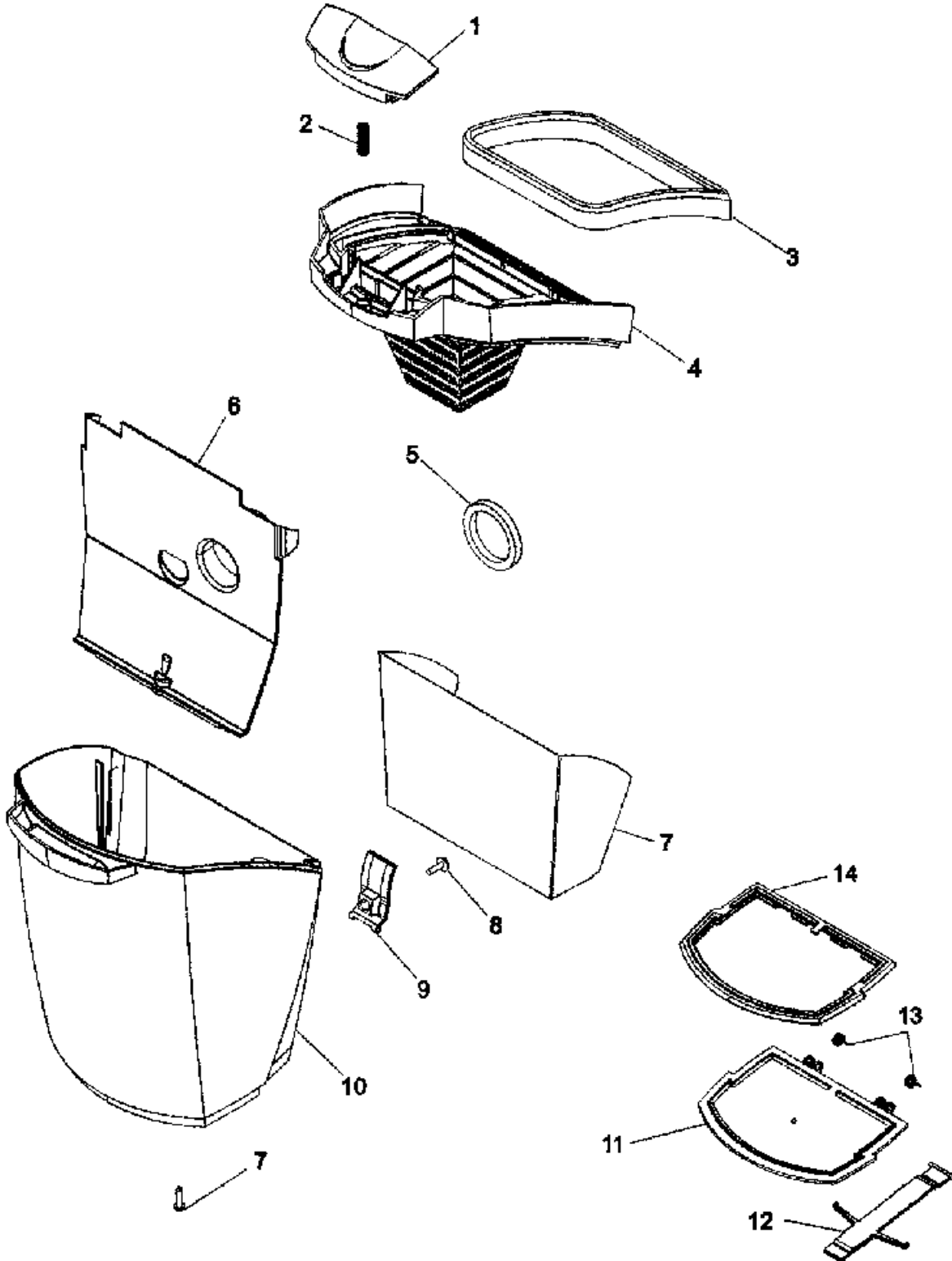
U8361-900



11

ASSEMBLY SCHEMATIC

MODEL NO.
U8361-900





11

PART LISTING / PRICE LIST

MODEL No.

U8361-900

ITEM	PART NUMBER	MODELS TO FIT	PART DESCRIPTION	LIST COST
1	91001115	U8361-900	DIRT CUP LATCH	.89
2	90001037	U8361-900	LATCH SPRING	1.12
3	92001288	U8361-900	DIRT CUP LID GASKET	7.36
4	92001298	U8361-900	DIRT CUP LID - NEURON ORANGE	13.03
5	91001147	U8361-900	GASKET	2.82
6	91001144	U8361-900	DIRT CUP PARTITION	4.53
7	92001289	U8361-900	DIRT CUP INSERT	1.12
8	21447242	U8361-900	SCREW - SELF TAPPING	1.12
9	91001135	U8361-900	DIRT CUP DOOR RELEASE BUTTON	1.69
10	92001299	U8361-900	DIRT CUP	14.16
11	91001130	U8361-900	DIRT CUP DOOR	3.39
12	91001114	U8361-900	DIRT CUP DOOR LATCH LEVER	1.46
13	91001176	U8361-900	TORSION SPRING	.89
14	91001149	U8361-900	DIRT CUP DOOR GASKET	2.26
	12002864	U8361-900	DIRT CUP LID ASSEMBLY - KIT NEW DESIGN	14.97

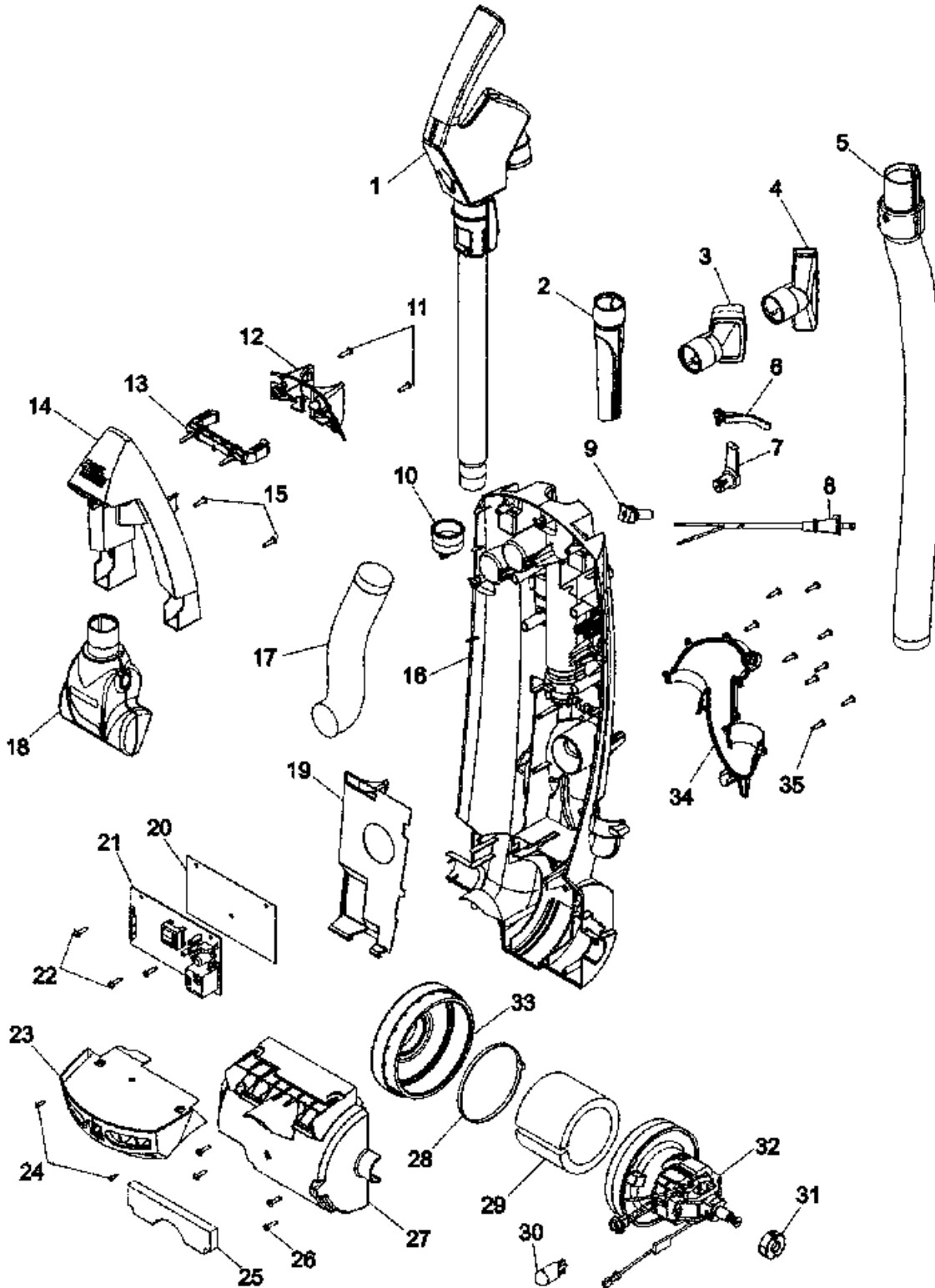


WINDTUNNEL[™] COMPLETE 2

11

ASSEMBLY SCHEMATIC

MODEL NO.
U8371-900





PART LISTING / PRICE LIST

MODEL No.

U8371-900

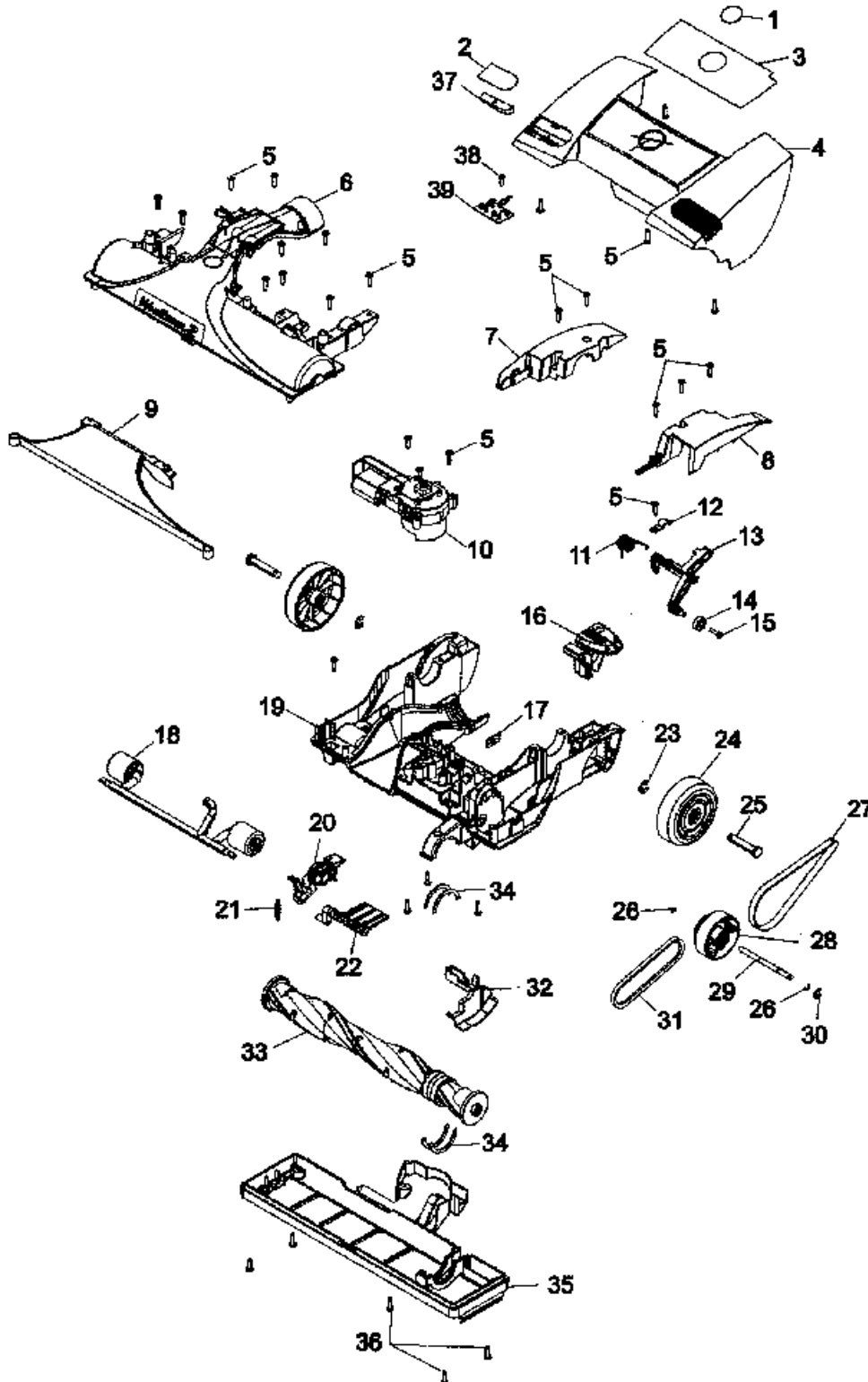
ITEM	PART NUMBER	MODELS TO FIT	PART DESCRIPTION	LIST COST
1	91001190	U8371-900	UPPER HANDLE / WAND ASSEMBLY	25.50
2	38617033	U8371-900	CREVICE TOOL - 7"	3.39
3	43414197	U8371-900	DUSTING BRUSH	2.68
4	92001196	U8371-900	FURNITURE NOZZLE	3.39
5	43431232	U8371-900	HOSE ASSEMBLY	17.00
	43434275	U8371-900	HOSE ASSEMBLY - BONUS HOSE	25.50
6	91001117	U8371-900	HOSE CLIP	.57
7	91001153	U8371-900	CORD WRAP	1.12
8	46383334	U8371-900	POWER CORD - 35'	15.87
9	36215028	U8371-900	CORD PROTECTOR	1.81
10	92001290	U8371-900	WAND RETAINER	1.12
11	21447242	U8371-900	SCREW - SELF TAPPING	1.12
12	91001121	U8371-900	RELEASE LATCH / WAND RETAINER	1.46
13	91001139	U8371-900	WAND RELEASE LATCH	2.59
14	91001154	U8371-900	UPPER HANDLE COVER	5.66
15	21447242	U8371-900	SCREW - SELF TAPPING	1.12
16	92001291	U8371-900	UPPER HOUSING / BACK PANEL	22.67
17	91001177	U8371-900	LOWER HOSE	4.53
18	49129032	U8371-900	TURBINE TOOL	14.62
19		U8371-900	WIRE COVER	
20	91001123	U8371-900	INSULATOR	1.12
21	46851068	U8371-900	PCB - POWER BOARD	62.24
22	21447242	U8371-900	SCREW - SELF TAPPING	1.12
23	91001150	U8371-900	DIRT LENS	4.53
24	21447228	U8371-900	SCREW - SELF TAPPING	.57
25	38769032	U8371-900	FINAL / EXHAUST FILTER	2.61
26	21447242	U8371-900	SCREW - SELF TAPPING	1.12
27	91001125	U8371-900	MOTOR COVER	5.66
28	91001178	U8371-900	LEAD WIRE TIE	.57
29	91001152	U8371-900	FOAM MOTOR MUFFLER	2.26
30	27313107	U8371-900	BULB	3.09
31	36322030	U8371-900	MOTOR MOUNT - SMALL	1.12
32	91001108	U8371-900	MOTOR ASSEMBLY	56.69
33	91001148	U8371-900	MOTOR SEAL	5.66
34	91001141	U8371-900	DIRT DUCT COVER	2.26
35	21447242	U8371-900	SCREW - SELF TAPPING	1.12



11

ASSEMBLY SCHEMATIC

MODEL NO.
U8371-900





PART LISTING / PRICE LIST

MODEL No.

U8371-900

ITEM	PART NUMBER	MODELS TO FIT	PART DESCRIPTION	LIST COST
1	51661020	U8371-900	MEDALLION	1.46
2	51464005	U8371-900	EDF COVER LABEL	.55
3	91001187	U8371-900	HOOD / NOZZLE COVER NAME PLATE	4.07
4	92001292	U8371-900	HOOD / NOZZLE COVER - SPLIT	8.49
5	21447242	U8371-900	SCREW - SELF TAPPING	1.12
6	92001286	U8371-900	AGITATOR / BRUSH ROLL HOUSING	10.20
7	36131139	U8371-900	TRUNNION COVER - RIGHT	1.33
8	91001112	U8371-900	TRUNNION COVER - LEFT	1.12
9	92001294	U8371-900	NOZZLE LINER - NEURON ORANGE	3.73
10	91001188	U8371-900	HEIGHT ADJUSTMENT TRANSMISSION	19.83
11	38356014	U8371-900	TORSION SPRING	1.12
12	91001116	U8371-900	ACTUATOR ARM HOLDER	.89
13	91001136	U8371-900	IDLER PULLEY ARM	1.69
14	91001105	U8371-900	BEARING	2.82
15	91001103	U8371-900	SCREW - TAPPING	.57
16	38434026	U8371-900	HANDLE RELEASE LEVER	2.26
17	91001165	U8371-900	PCB HALL ASSEMBLY	6.79
18	91001159	U8371-900	FRONT AXLE ASSEMBLY	14.16
19	91001156	U8371-900	MAIN BODY / NOZZLE BASE	22.67
20	42246150	U8371-900	VALVE ARM AND AGITATOR HOUSING INCLUDES #6	12.46
21	38331006	U8371-900	VALVE ARM SPRING	1.12
22	91001142	U8371-900	VALVE DOOR	1.12
23	160017--	U8371-900	LOCK RING	.58
24	92001287	U8371-900	REAR WHEEL ASSEMBLY	5.66
25	32434007	U8371-900	REAR AXLE	1.12
26	91001106	U8371-900	RETAINING RING	.57
27	91001137	U8371-900	V-BELT	8.39
28	43241009	U8371-900	TRANSFER PULLEY	16.65
29	91001110	U8371-900	TRANSFER PULLEY SHAFT	2.03
30	91001107	U8371-900	RETAINING RING	.57
31	38528034	U8371-900	V - BELT	1.50 NON DISC
32	91001128	U8371-900	BELT COVER	.69
33	48414160	U8371-900	AGITATOR / BRUSH ROLL ASSEMBLY	15.25
34	38781053	U8371-900	AGITATOR / BRUSH ROLL PULLEY SEAL	.93
35	91001157	U8371-900	BOTTOM PLATE / NOZZLE GUARD	7.36



11

PART LISTING / PRICE LIST

ITEM	PART NUMBER	MODELS TO FIT	PART DESCRIPTION	LIST COST
36	214793DA	U8371-900	SCREW	.57
37		U8371-900	EDF LENS	
38	214793DA	U8371-900	SCREW	.57
39	46851060	U8371-900	EDF CIRCUIT BOARD	7.70
	46658014	U8371-900	WIRE HARNESS	12.27
	59156137	U8371-900	BARE FLOOR BRUSH - 12"	12.46
	47811008	U8371-900	STATIC WIRE ASSEMBLY	8.13

MODEL NO.

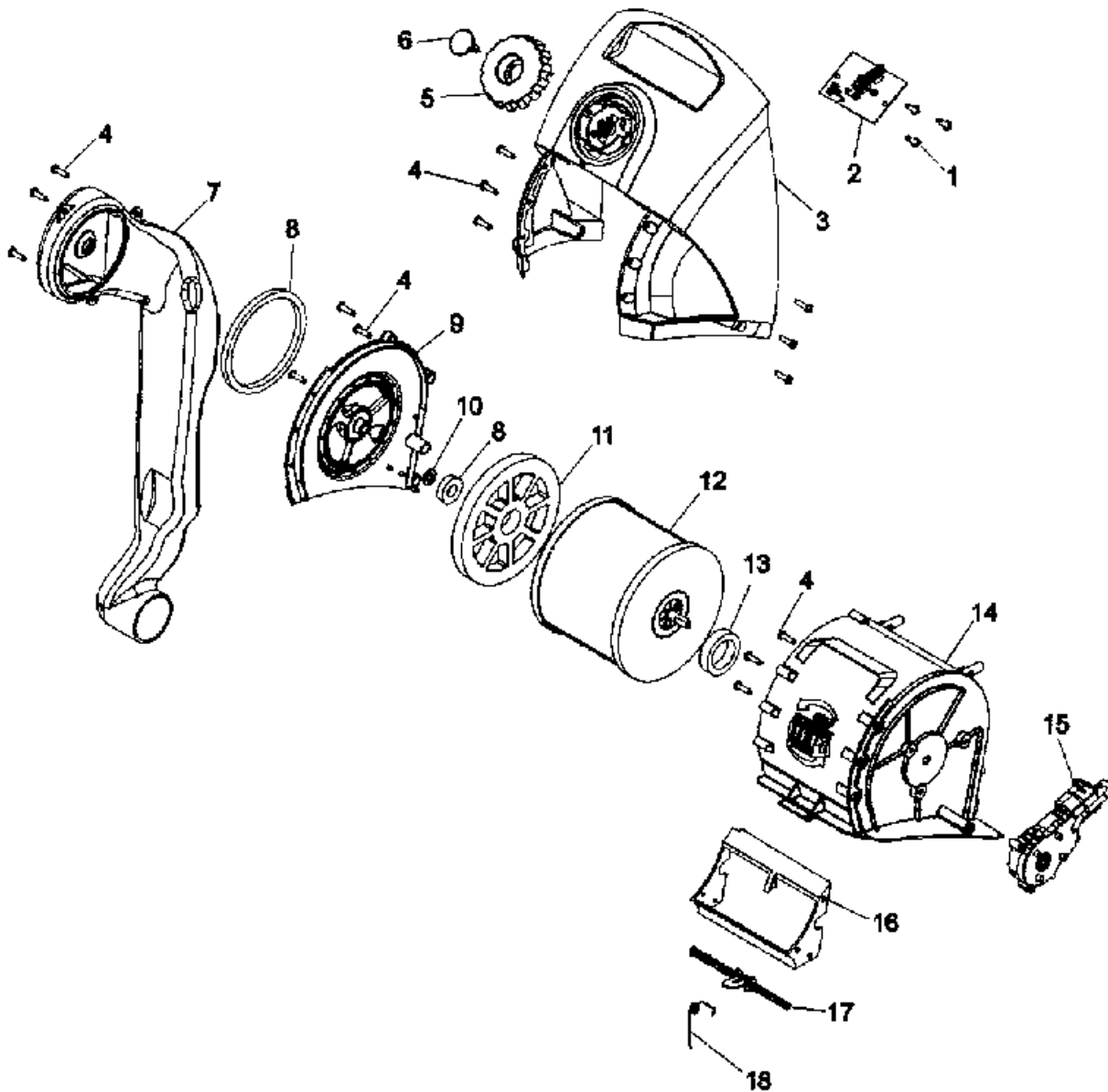
U8371-900



11

ASSEMBLY SCHEMATIC

MODEL NO.
U8371-900





11

PART LISTING / PRICE LIST

MODEL No.
U8371-900

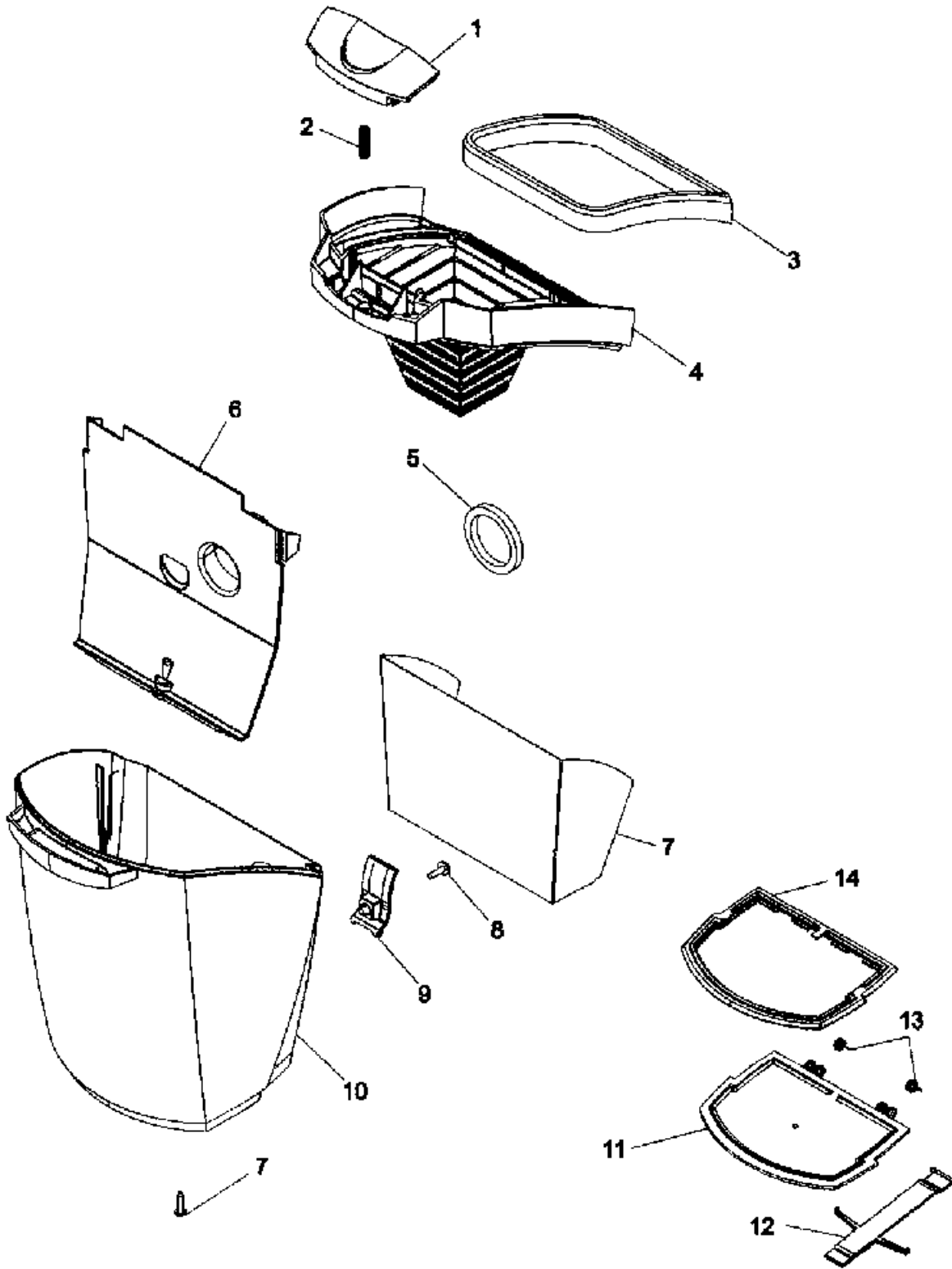
ITEM	PART NUMBER	MODELS TO FIT	PART DESCRIPTION	LIST COST
1	21447242	U8371-900	SCREW - SELF TAPPING	1.12
2	91001189	U8371-900	PCB HEIGHT ADJUSTMENT BOARD	8.49
3		U8371-900	CARRY HANDLE COVER	
4	214793DA	U8371-900	SCREW	.57
5		U8371-900	HEIGHT ADJUSTMENT KNOB	
6	90001353	U8371-900	POWER BUTTON	2.03
7	91001140	U8371-900	CLEAN AIR DUCT	6.79
8	91001147	U8371-900	GASKET	2.82
9	12002820	U8371-900	FILTER KIT ASSEMBLY	57.74
10	91001171	U8371-900	THRUST WASHER	.57
11	38784115	U8371-900	FILTER GASKET	7.93
12	12002820	U8371-900	FILTER KIT ASSEMBLY	57.74
13	91001173	U8371-900	FILTER SPRING GASKET	2.03
14	36426083	U8371-900	FILTER HOUSING - HYPER GREEN	11.33
15	91001109	U8371-900	PRIMARY FILTER TRANSMISSION	15.74
16	91001143	U8371-900	FILTER PARTITION	1.46
17	91001155	U8371-900	FILTER FLICKER	1.69
18	91001175	U8371-900	FLICKER TORSION SPRING	.89



11

ASSEMBLY SCHEMATIC

MODEL NO.
U8371-900





11

PART LISTING / PRICE LIST

ITEM	PART NUMBER	MODELS TO FIT	PART DESCRIPTION	LIST COST
1	91001115	U8371-900	DIRT CUP LATCH	.89
2	90001037	U8371-900	LATCH SPRING	1.12
3	92001288	U8371-900	DIRT CUP LID GASKET	7.36
4	37249077	U8371-900	DIRT CUP LID - HYPER GREEN	PENDING
5	91001147	U8371-900	GASKET	2.82
6	91001144	U8371-900	DIRT CUP PARTITION	4.53
7	57127269	U8371-900	DIRT CUP INSERT	1.40
8	21447242	U8371-900	SCREW - SELF TAPPING	1.12
9	91001135	U8371-900	DIRT CUP DOOR RELEASE BUTTON	1.69
10		U8371-900	DIRT CUP	
11	91001130	U8371-900	DIRT CUP DOOR	3.39
12	91001114	U8371-900	DIRT CUP DOOR LATCH LEVER	1.46
13	91001176	U8371-900	TORSION SPRING	.89
14	91001149	U8371-900	DIRT CUP DOOR GASKET	2.26
	12002864	U8371-900	DIRT CUP LID ASSEMBLY - KIT NEW DESIGN	14.97

MODEL No.

U8371-900



11

NOTES

MODEL NO.

U8347-900

U8351-900

U8361-900

U8371-900

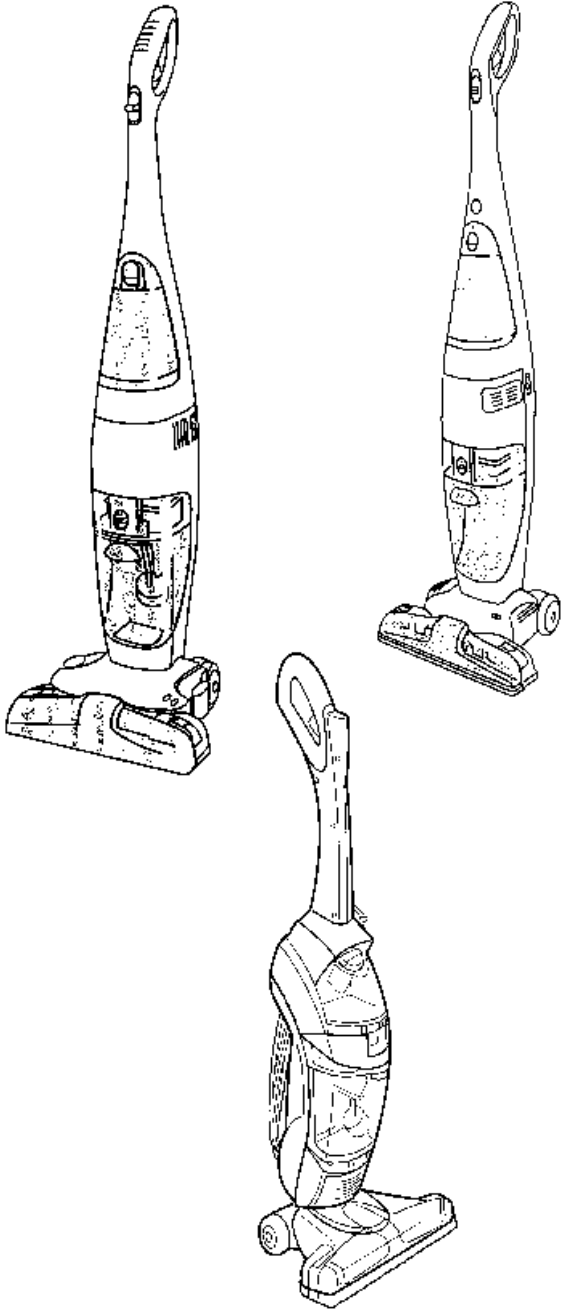


SECTION CONTENTS

<u>MODEL NO.</u>	<u>PAGE NO.</u>
H2800	12-2 THRU 12-6
H2850	12-7 THRU 12-12
H3000	12-13 THRU 12-20
H3030	12-19 THRU 12-27
H3032	12-19 THRU 12-27
FH40000	12-19 THRU 12-27
H3040	12-28 THRU 12-35
H3044	12-28 THRU 12-35
H3045	12-28 THRU 12-35
H3050	12-36 THRU 12-45
H3060	12-36 THRU 12-45

MODEL NO.

- H2800
- H2850
- H3000
- H3030
- H3032
- H3040
- H3044
- H3045
- H3050
- H3060
- FH40000



* PRICING, SPECIFICATION'S, AND PRODUCT AVAILABILITY ARE SUBJECT TO CHANGE WITHOUT NOTICE. PRICING IS FOB FACTORY, CANTON, OH

* ALL INFORMATION CONTAINED WITHIN THIS SERVICE MANUAL IS PROPRIETARY INFORMATION OF TTI FLOOR CARE NORTH AMERICA.

* **WARNING:** TO REDUCE THE RISK OF ELECTRICAL SHOCK OR INJURY, ALWAYS DISCONNECT THE APPLIANCE CORD FROM THE ELECTRICAL OUTLET OR REMOVE BATTERY PRIOR TO SERVICING THE UNIT.



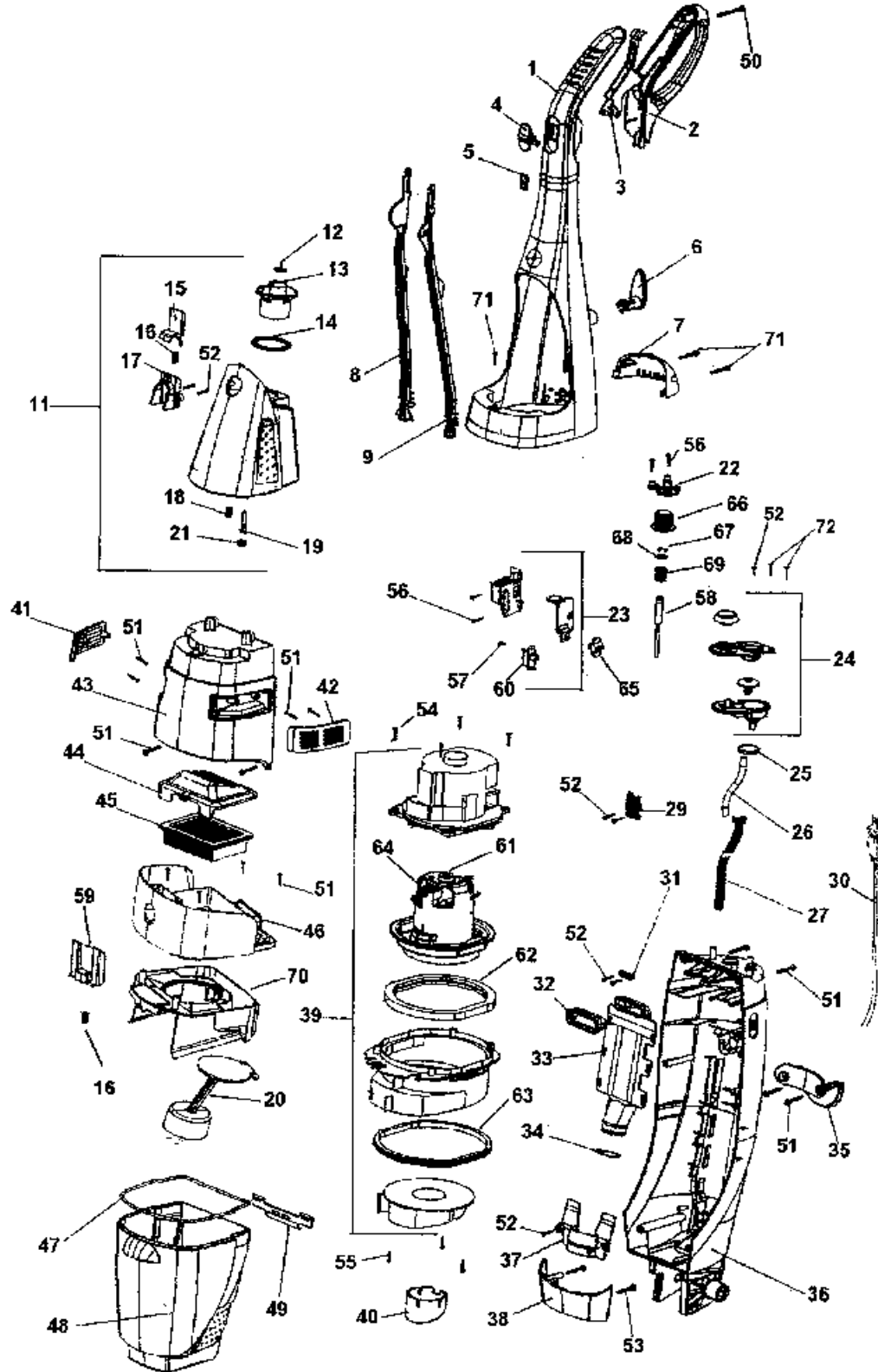
Floor MATE™

12

ASSEMBLY SCHEMATIC

MODEL NO.

H2800





Floor MATE™

12

PART LISTING / PRICE LIST

MODEL No.

H2800

ITEM	PART NUMBER	MODELS TO FIT	PART DESCRIPTION	LIST COST
1	59177211	H2800	UPPER HANDLE	15.87
2	59177212	H2800	HANDLE LEVER GUARD	4.53
3	59177058	H2800	CONTROL LEVER	3.39
4	59177137	H2800	BRUSH CONTROL BUTTON	1.12
5	59177170	H2800	CONTROL BUTTON SPRING	1.46
6	59177213	H2800	UPPER CORD WRAP	1.81
7	59177214	H2800	CARRYING HANDLE	2.26
8	59177057	H2800	UPPER CONTROL ROD	4.86
9	59177167	H2800	BRUSH CONTROL ROD	4.86
11	59177144	H2800	SOLUTION TANK	31.74
12		H2800	ORDER #13	N.A.
13	59177145	H2800	SOLUTION TANK CAP	4.06
14		H2800	O-RING ORDER #13	N.A.
15	59177146	H2800	SOLUTION TANK LATCH	1.12
16	38312014	H2800	SPRING	1.12
17	59177147	H2800	SOLUTION TANK RETAINER	1.81
18	38312014	H2800	SPRING	1.12
19	38717009	H2800	VALVE STEM	2.26
20	59177143	H2800	FLOAT	3.39
21	38784061	H2800	VALVE SEAL	1.12
22	59177168	H2800	RETAINER	1.12
23	59177402	H2800	SWITCH / HOLDER ASSEMBLY	16.75
24	59177075	H2800	RESERVOIR ASSEMBLY	4.07
25		H2800	GASKET	N.A.
26	59177006	H2800	SOLUTION TUBE	2.94
27	59177093	H2800	PROTECTOR JACKET	1.46
29	59177016	H2800	SWITCH COVER	1.12
30	59177001	H2800	POWER CORD	27.21
31	59177094	H2800	CORD CLAMP	1.12
32	59177012	H2800	HOSE SEALING GASKET	3.39
33	59177011	H2800	RECOVERY HOSE	4.53
34	59177015	H2800	O-RING	1.12
35	59177216	H2800	LOWER CORD WRAP	2.26
36	59177217	H2800	LOWER HOUSING	21.54
37	59177014	H2800	DUCT HOSE MOUNT	1.69
38	59177008	H2800	TANK BASE	3.39



Floor MATE™

12

PART LISTING / PRICE LIST

MODEL No.

H2800

ITEM	PART NUMBER	MODELS TO FIT	PART DESCRIPTION	LIST COST
39	59177074	H2800	MOTOR ASSEMBLY	79.37
40	59177095	H2800	FAN CHAMBER GASKET	1.65
41	59177219	H2800	LOUVER - RIGHT	1.46
42	59177220	H2800	LOUVER - LEFT	1.46
43	59177221	H2800	FRONT COVER	10.20
44	59177140	H2800	FILTER LID	3.14
45	40112050	H2800	TANK FILTER (1 PER)	4.99 NON DISC
46	59177139	H2800	RECOVERY TANK LID	12.46
47	59177097	H2800	TANK LID GASKET	1.46
48	59177138	H2800	RECOVERY TANK	28.34
49	59177142	H2800	RECOVERY TANK LID LOCK	2.26
50	59177054	H2800	SCREW - #8 x 45	1.12
51	59177099	H2800	SCREW - 3.5 x 20	.57
52	59177100	H2800	SCREW - 3.5 x 10	.57
53	59177101	H2800	SCREW - #8 x 30	.57
54	59177102	H2800	SCREW - 3.5 x 10 Z	.57
55	59177103	H2800	SCREW - 3.5 x 10 Z	.57
56	59177104	H2800	SCREW - 3.5 x 17	.57
57	59177105	H2800	SCREW - 2.6 x 5	.57
58	59177370	H2800	TENSION CABLE	6.79
59	59177141	H2800	RECOVERY TANK RELEASE BUTTON	1.81
60	59177048	H2800	ON-OFF SWITCH	4.29
61		H2800	ORDER #64	N.A.
62	59177108	H2800	MOTOR MOUNT INSULATOR	5.66
63	59177109	H2800	WATER SEAL	N.L.A.
64	59177092	H2800	MOTOR BRUSHES	7.93
65	59177133	H2800	SWITCH BUTTON	1.12
66	59177046	H2800	BRUSH CONTROL CAP	1.12
67	013306--	H2800	E-CLIP	N.L.A.
68	59177110	H2800	WASHER	.57
69	59177112	H2800	SPRING	1.12
70	59177114	H2800	RECOVERY CHANNEL	6.79
71	59177120	H2800	SCREW PACK	1.46
72	59177069	H2800	SCREW WITH WASHER	.62
	40303048	H2800	FLOOR CLEANER - 48 oz	4.61



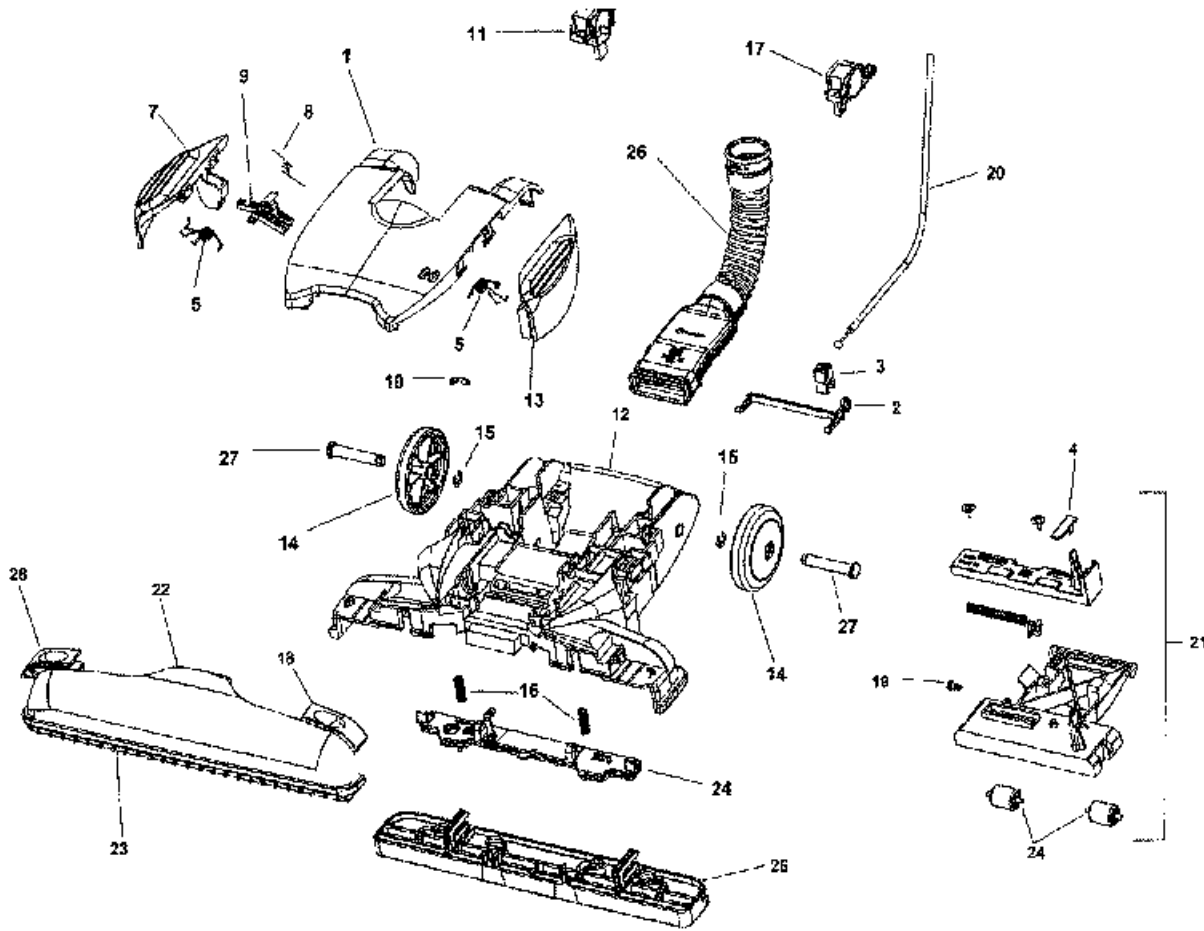
Floor MATE™

12

ASSEMBLY SCHEMATIC

MODEL NO.

H2800





Floor MATE™

12

PART LISTING / PRICE LIST

MODEL No.

H2800

ITEM	PART NUMBER	MODELS TO FIT	PART DESCRIPTION	LIST COST
1	59177203	H2800	HOOD / NOZZLE COVER	11.33
2	59177204	H2800	BRUSH LIFT LEVER	1.81
3	59177036	H2800	BRUSH ACTIVATOR	1.12
4	59177379	H2800	INDICATOR	1.12
5	59177276	H2800	PEDAL SPRING	1.12
6	59177006	H2800	SOLUTION TUBE	2.94
7	59177201	H2800	HANDLE RELEASE PEDAL	2.94
8	59177037	H2800	LOCK PLATE SPRING	1.12
9	59177472	H2800	LOCK PLATE	1.12
10	59177035	H2800	ELBOW SLEEVE	1.12
11	59177371	H2800	TRUNION CAP - RIGHT	1.12
12	59177200	H2800	MAIN BODY w/BUMPER	17.00
13	59177202	H2800	SQUEEGEE PEDAL	2.94
14	59177209	H2800	REAR WHEEL	4.53
15	59177088	H2800	LOCK RING	.57
16		H2800	BRUSH SPRING	N.A.
17	59177372	H2800	TRUNION CAP - LEFT	1.12
18	59177152	H2800	LATCH - LEFT NOZZLE	2.26
19	59177084	H2800	SNAP PIN	1.12
20	59177370	H2800	TENSION CABLE	6.79
21	59177207	H2800	FRONT WHEEL CARRIAGE	11.33
	59177374	H2800	FRONT AXLE - PLASTIC	4.53
	59177086	H2800	FRONT WHEEL	5.66
22	59177470	H2800	NOZZLE ASSEMBLY	14.73
23	59177047	H2800	RETAINER/SQUEEGEE	9.06
24	59177383	H2800	DISTRIBUTOR	4.07
25	59177205	H2800	BRUSH BLOCK	27.21
26	59177208	H2800	WATER HOSE ASSEMBLY	4.53
27	59177373	H2800	PLASTIC REAR AXLE	4.53
28	59177151	H2800	LATCH - RIGHT NOZZLE	2.26
	59177091	H2800	SCREW - MOTOR MOUNT	1.12

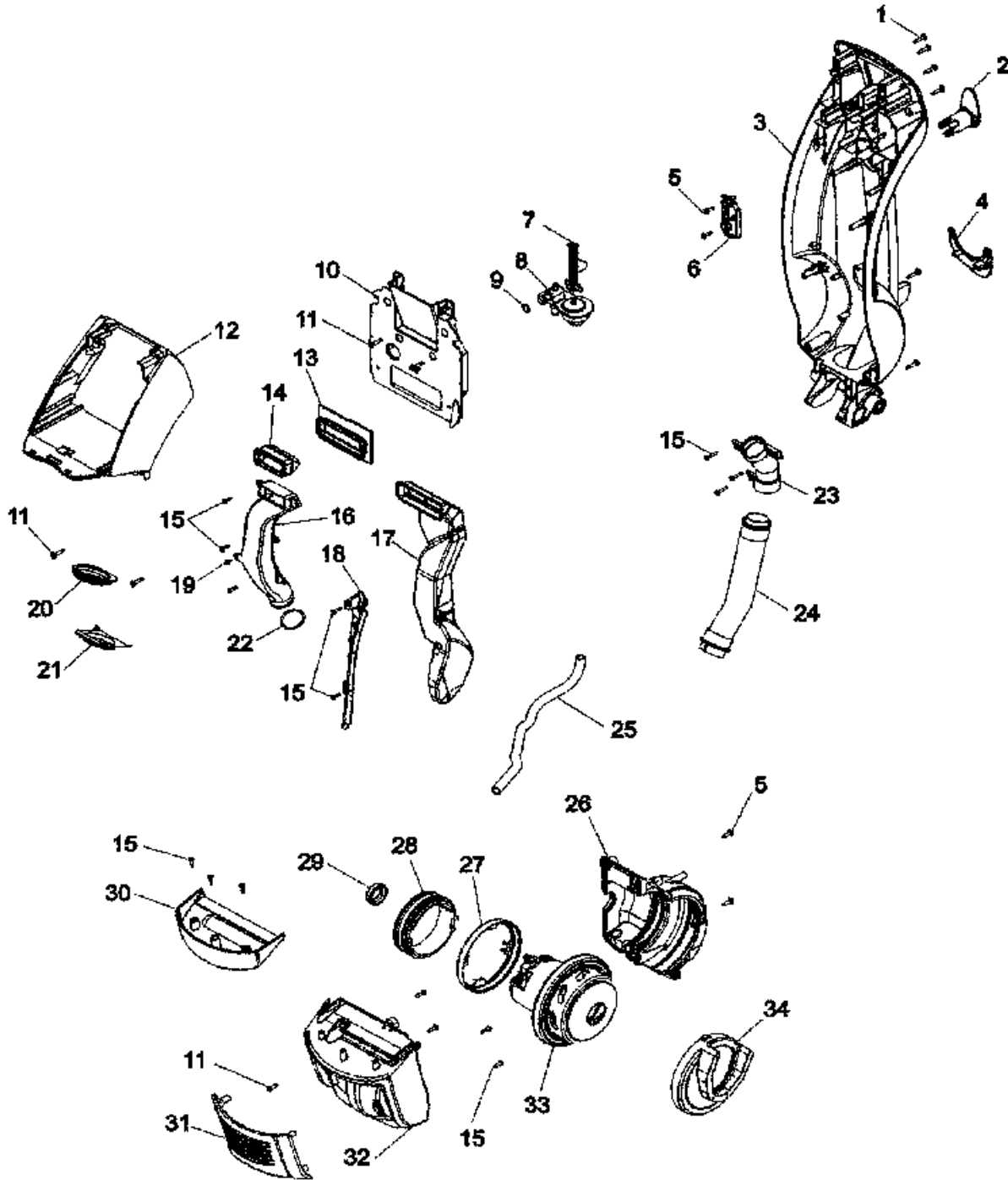


12

ASSEMBLY SCHEMATIC

MODEL NO.

H2850





12

PART LISTING / PRICE LIST

MODEL No.

H2850

ITEM	PART NUMBER	MODELS TO FIT	PART DESCRIPTION	LIST COST
1	93001736	H2850	SCREW #8 x 12.75"	.57
2	93001130	H2850	UPPER CORD WRAP	1.13
3	93001989	H2850	TANK HOUSING	16.43
4	93001131	H2850	LOWER CORD HOOK	1.13
5	93001733	H2850	SCREW #8 x 12.5"	.57
6	93001127	H2850	CORD RETAINER	.57
	93002309	H2850	POWER CORD	N.L.A.
7	93001161	H2850	CONTROL ROD LOWER	.57
8	93001829	H2850	RESERVOIR ASSEMBLY	7.31
9	93001155	H2850	O-RING	.57
10	93001990	H2850	HANDLE RETAINER	3.39
11	93001736	H2850	SCREW #8 x 12.75"	.57
12	93001988	H2850	SOLUTION TANK SUPPORT	6.23
13	93001174	H2850	SEAL - SUCTION DUCT	1.13
14	93001175	H2850	SEAL - RECOVERY DUCT	1.13
15	93001734	H2850	SCREW #6 x 10.5"	.57
16		H2850	RECOVERY DUCT	N.A.
17	93001167	H2850	SUCTION DUCT	3.96
18		H2850	CORD COVER - TANK HOUSING	N.A.
19	93001735	H2850	SCREW #6 x 24-3/8"	.57
20	93001743	H2850	SEAL	1.12
21	93001995	H2850	RECOVERY SEAL PLATE	1.12
22		H2850	RING RECOVERY DUCT	N.A.
23	93001987	H2850	HOSE CONNECTOR	1.12
24	93001192	H2850	HOSE ASSEMBLY	4.53
25	93001165	H2850	TUBING - 28"	1.13
26	93001173	H2850	MOTOR COVER - REAR	5.09
27	93001186	H2850	MOTOR RETAINER SEAL	1.13
28	93001185	H2850	MOTOR MOUNT SEAL	2.82
29	93001184	H2850	END BEARING	.57
30	93001200	H2850	MOTOR COVER CAP	2.59
31	93001194	H2850	MOTOR COVER VENT	1.46
32	93001193	H2850	MOTOR COVER	4.53
33	93001828	H2850	MOTOR ASSEMBLY	68.03
34	93001190	H2850	MOTOR FAN SEAL	4.53

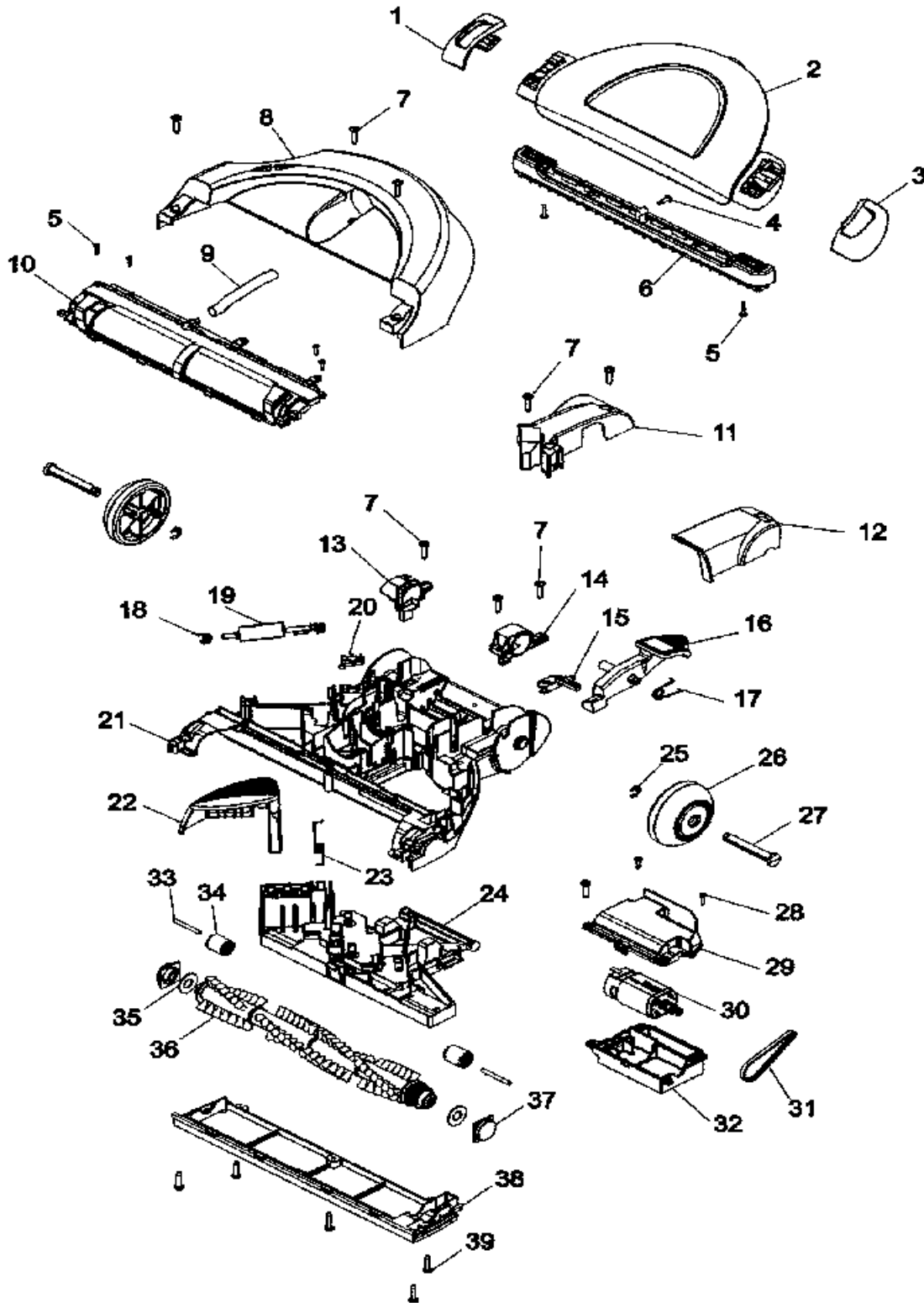


12

ASSEMBLY SCHEMATIC

MODEL NO.

H2850





12

PART LISTING / PRICE LIST

MODEL No.

H2850

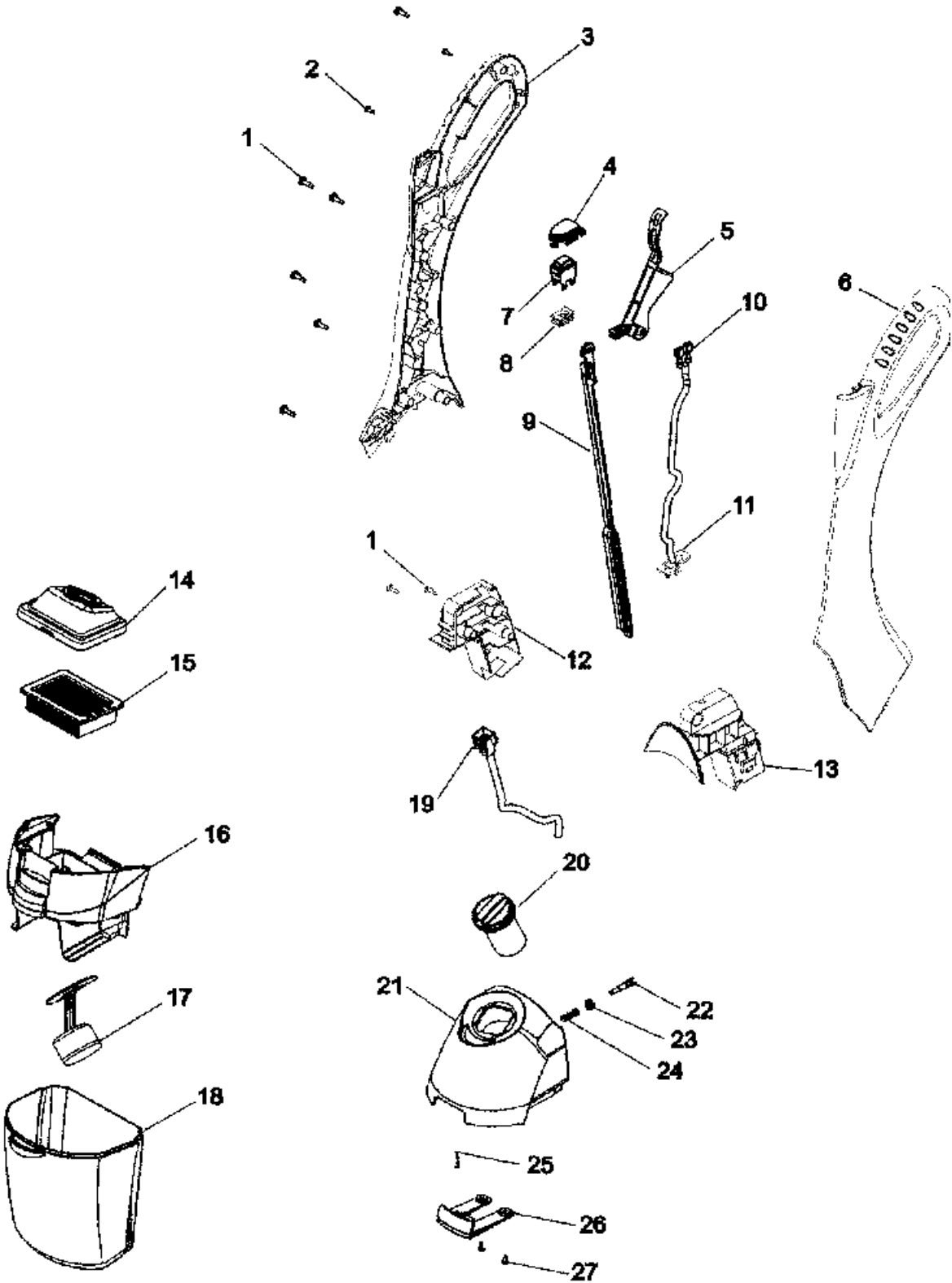
ITEM	PART NUMBER	MODELS To FIT	PART DESCRIPTION	LIST COST
1	93001984	H2850	NOZZLE LATCH - RIGHT	1.12
2	93001981	H2850	NOZZLE ASSEMBLY	14.16
3	93001983	H2850	NOZZLE LATCH - LEFT	1.12
4	93001741	H2850	SCREW #6 x 10-7/16" TOREX	.57
5	93001742	H2850	SCREW #6 x 10-3/4"	.57
6	93001982	H2850	SQUEEGEE OVERMOLDED	9.06
7	93001736	H2850	SCREW #8 x 12-3/4"	.57
8	93001994	H2850	HOOD / NOZZLE COVER	5.66
9		H2850	TUBING PROTECTOR JACKET	N.A.
10	93001978	H2850	DISTRIBUTOR ASSEMBLY	10.99
11	93001993	H2850	HOOD / REAR COVER - RIGHT	2.26
12	93001039	H2850	HOOD / REAR COVER - LEFT	1.69
13	93001056	H2850	TRUNNION COVER - RIGHT	.57
14	93001055	H2850	TRUNNION COVER - LEFT	.57
15	93001050	H2850	HANDLE RELEASE	.89
16	93001046	H2850	HANDLE RELEASE PEDAL	2.03
17	93001049	H2850	SPRING HANDLE RELEASE PEDAL	.57
18		H2850	SPRING - TENSION MODE INDICATOR	N.A.
19		H2850	MODE INDICATOR	N.A.
20		H2850	SWITCH - MODE CONTROL	N.A.
21	93001992	H2850	MAIN BODY / NOZZLE BASE	20.40
22		H2850	CONTROL PEDAL	N.A.
23		H2850	SPRING - CONTROL PEDAL	N.A.
24	93001979	H2850	FRONT WHEEL CARRIAGE ASSEMBLY	12.80
25	59177088	H2850	LOCK RING	.57
26	93001060	H2850	REAR WHEEL ASSEMBLY	2.82
27	93001059	H2850	REAR WHEEL AXLE	1.46
28	93001740	H2850	SCREW 36 x 10-3/4"	.57
29	93002001	H2850	AGITATOR MOTOR HOUSING - UPPER	2.03
30	93002005	H2850	MOTOR AGITIATOR DRIVE	28.34
31	93002000	H2850	AGITATOR DRIVE BELT	2.61
32	93002002	H2850	AGITATOR MOTOR HOUSING - LOWER	2.03
33	93001065	H2850	FRONT WHEEL SHAFT	.57
34		H2850	FRONT WHEEL OVERMOLDED	N.A.
35	93002008	H2850	WASHER - THRUST AGITATOR	.57
36	93001985	H2850	AGITATOR ASSEMBLY	25.50
37	93002007	H2850	THREAD GUARD	1.12
38	93002009	H2850	BOTTOM PLATE / NOZZLE GUARD	2.26
39	93001733	H2850	SCREW #8 x 12-1/2"	.57



12

ASSEMBLY SCHEMATIC

MODEL NO.
H2850





PART LISTING / PRICE LIST

MODEL No.

H2850

ITEM	PART NUMBER	MODELS TO FIT	PART DESCRIPTION	LIST COST
1	93001733	H2850	SCREW #8 x 12-1/2"	.57
2	93001734	H2850	SCREW #6 x 10-1/2"	.57
3	93001967	H2850	UPPER HANDLE - RIGHT	10.20
4	93001969	H2850	SWITCH BOOT	2.03
5	93001109	H2850	CONTROL LEVER	1.13
6	93001966	H2850	UPPPER HANDLE - LEFT	10.66
7	93001972	H2850	SWITCH - DOUBLE POLE/TAPE	5.66
8	93001968	H2850	UPPER GROMMET	.85
9	93001110	H2850	UPPER CONTROL ROD	1.42
10		H2850	TERMINAL - MALE	N.A.
11		H2850	QUICK CONNECT RECEPTACLE	N.A.
12		H2850	UPPER HANDLE CORE - LEFT	N.A.
13	93001974	H2850	UPPER HANDLE CORE - RIGHT	3.96
14	93001179	H2850	FILTER LID	1.46
15	40112050	H2850	TANK FILTER (1 PER)	4.99 NON DISC
16	93002063	H2850	RECEIVING TANK LID ASSEMBLY	17.00
17	93001183	H2850	FLOAT - HINGED SIDE	2.59
18	93002062	H2850	RECEIVING TANK ASSEMBLY	19.83
19	93001141	H2850	WIRING HARNESS	3.16
20	59178813	H2850	SOLUTION TANK CAP ASSEMBLY	8.32
21	59178802	H2850	SOLUTION TANK ASSEMBLY	26.07
22	93001148	H2850	VALVE STEM	.57
23	93001149	H2850	VALVE SEAL	.57
24	93001150	H2850	SPRING	.57
25	93001976	H2850	SPRING - SOLUTION TANK LATCH	.57
26	93002040	H2850	LATCH - SOLUTION TANK	1.46
27	93001735	H2850	SCREW #6 x 24-3/8"	.57



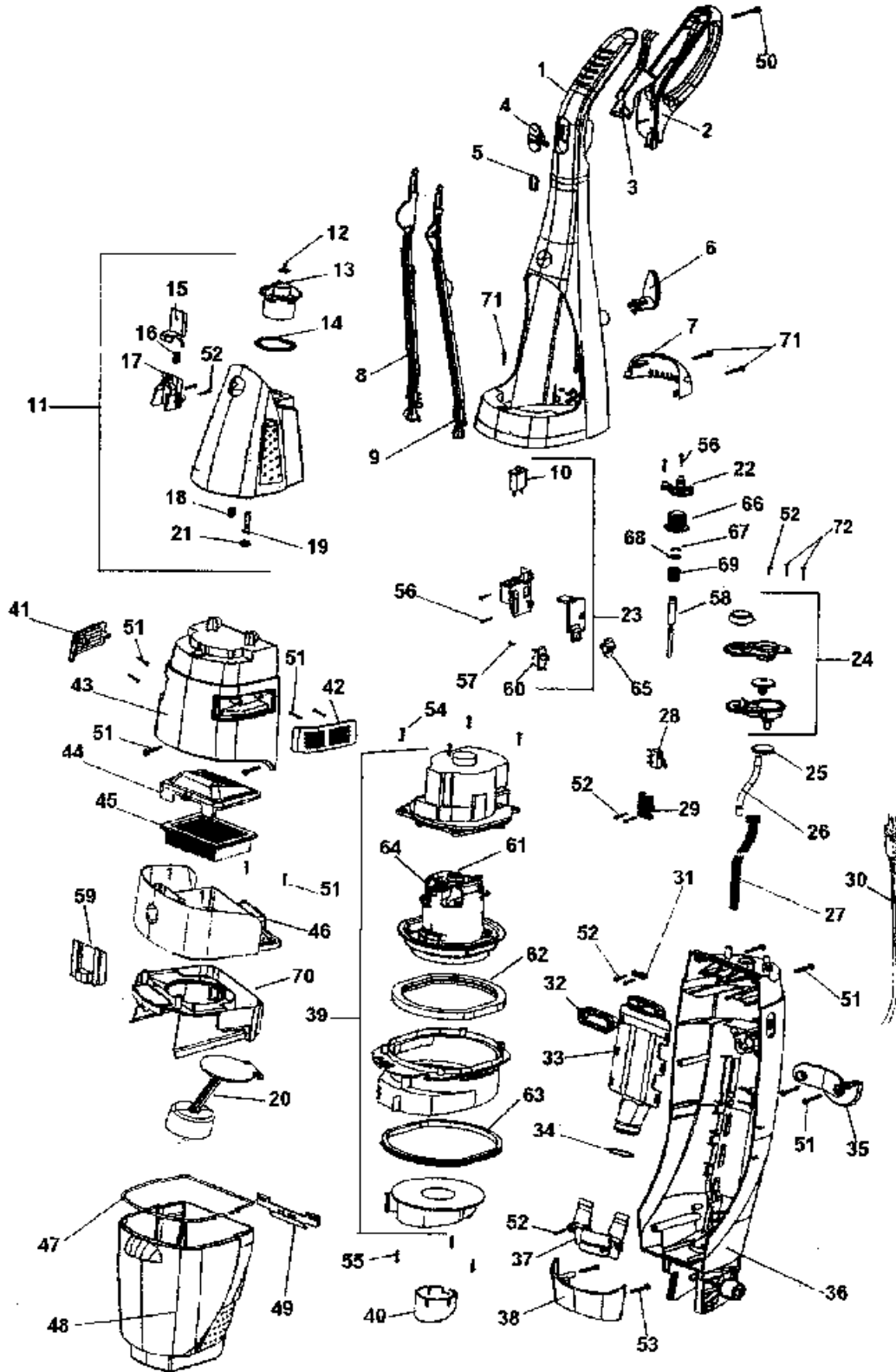
FloorMATE™ with SpinScrub™ Brushes The Hard Floor Cleaner

12

ASSEMBLY SCHEMATIC

MODEL NO.

H3000





FloorMATE™ with SpinScrub™ Brushes The Hard Floor Cleaner

12

PART LISTING / PRICE LIST

MODEL No.

H3000

ITEM	PART NUMBER	MODELS TO FIT	PART DESCRIPTION	LIST COST
1	59177055	H3000	UPPER HANDLE	21.54
2	59177056	H3000	HANDLE LEVER GUARD	4.53
3	59177058	H3000	CONTROL LEVER	3.39
4	59177061	H3000	BRUSH CONTROL BUTTON	1.12
5	59177062	H3000	CONTROL BUTTON SPRING	1.12
	59177170	H3000	CONTROL BUTTON SPRING - SCREW IN	1.46
6	59177059	H3000	UPPER CORD WRAP	1.81
7	59177063	H3000	CARRYING HANDLE	2.26
8	59177057	H3000	UPPER CONTROL ROD	4.86
9	59177060	H3000	BRUSH CONTROL ROD	N.L.A.
	59177167	H3000	BRUSH CONTROL ROD - AFTER 4/02	4.86
10	59177049	H3000	CIRCUIT BREAKER	22.67
11	59177076	H3000	SOLUTION TANK ASSEMBLY	26.07
12		H3000	ORDER #13	N.A.
13	59177071	H3000	SOLUTION TANK CAP	4.06
14		H3000	O-RING / ORDER #13	N.A.
15	59177070	H3000	SOLUTION TANK LATCH	1.12
16	38312014	H3000	SPRING	1.12
17	59177068	H3000	LATCH RETAINER	2.82
18	38312014	H3000	SPRING	1.12
19	38717009	H3000	VALVE STEM	2.26
20	59177115	H3000	FLOAT	3.39
21	38784061	H3000	VALVE SEAL	1.12
22	59177113	H3000	BRUSH MOUNT SPRING CONTROL	1.12
	59177168	H3000	BRUSH MOUNT RETAINER - AFTER 4/02	1.12
23	59177072	H3000	SWITCH / HOLDER ASSEMBLY	16.75
24	59177075	H3000	RESERVOIR ASSEMBLY	4.07
25		H3000	GASKET	N.A.
26	59177006	H3000	SOLUTION TUBE	2.94
27	59177093	H3000	PROTECTOR JACKET	1.46
28	59177111	H3000	MICROSWITCH	7.48
29	59177016	H3000	SWITCH COVER	1.12
30	59177001	H3000	POWER CORD	27.21
31	59177094	H3000	CORD CLAMP	1.12
32	59177012	H3000	HOSE SEALING GASKET	3.39
33	59177011	H3000	RECOVERY HOSE	4.53



FloorMATE™
with SpinScrub™ Brushes
The Hard Floor Cleaner

12

PART LISTING / PRICE LIST

MODEL No.

H3000

ITEM	PART NUMBER	MODELS TO FIT	PART DESCRIPTION	LIST COST
34	59177015	H3000	O-RING	1.12
35	59177007	H3000	LOWER CORD WRAP	2.26
36	59177005	H3000	LOWER HOUSING	27.21
37	59177014	H3000	HOSE DUCT MOUNT	1.69
38	59177008	H3000	TANK BASE	3.39
39	59177074	H3000	MOTOR ASSEMBLY	79.37
40	59177095	H3000	FAN CHAMBER GASKET	1.65
41	59177018	H3000	LOUVER COVER - RIGHT	1.46
42	59177017	H3000	LOUVER COVER - LEFT	1.46
43	59177009	H3000	FRONT COVER	13.15
44	59177096	H3000	FILTER LID	3.39
45	40112050	H3000	TANK FILTER (1 PER)	4.99 NON DISC
46	59177053	H3000	RECEIVING TANK LID WITH OUT GASKET	12.46
47	59177097	H3000	TANK LID GASKET	1.46
48	59177050	H3000	RECOVERY TANK	29.47
49	59177098	H3000	RECOVERY TANK LID LOCK	2.26
50	59177054	H3000	SCREW #8 x 45	1.12
51	59177099	H3000	SCREW 3.5 x 20	.57
52	59177100	H3000	SCREW 3.5 x 10	.57
53	59177101	H3000	SCREW #8 x 30	.57
54	59177102	H3000	SCREW 3.5 x 10 z	.57
55	59177103	H3000	SCREW 3.5 x 10 z	.57
56	59177104	H3000	SCREW 3.5 x 17	.57
57	59177105	H3000	SCREW 2.6 x 5	.57
58	59177029	H3000	CABLE ASSEMBLY	6.79
	59177169	H3000	TENSION WIRE - AFTER 4/02	6.79
59	59177052	H3000	RECEIVING TANK RELEASE BUTTON	1.81
60	59177048	H3000	ON-OFF SWITCH	4.29
61		H3000	ORDER #64	N.A.
62	59177108	H3000	MOTOR MOUNT INSULATOR	5.66
63	59177109	H3000	WATER SEAL	N.L.A.
64	59177092	H3000	MOTOR BRUSHES	7.93
65	59177010	H3000	SWITCH BUTTON	1.12
66	59177046	H3000	BRUSH CONTROL CAP	1.12
67		H3000	E-CLIP	
68	59177110	H3000	WASHER	.57



FloorMATE™
with SpinScrub™ Brushes
The Hard Floor Cleaner

12

PART LISTING / PRICE LIST

ITEM	PART NUMBER	MODELS TO FIT	PART DESCRIPTION	LIST COST
69	59177112	H3000	SPRING	1.12
70	59177114	H3000	RECOVERY CHANNEL	6.79
71	59177120	H3000	SCREW PACKAGE	1.46
72	59177069	H3000	SCREW WITH WASHER	.62
	40303048	H3000	BARE/WOOD FLOOR CLEANER - 48 OZ	4.61

MODEL No.

H3000



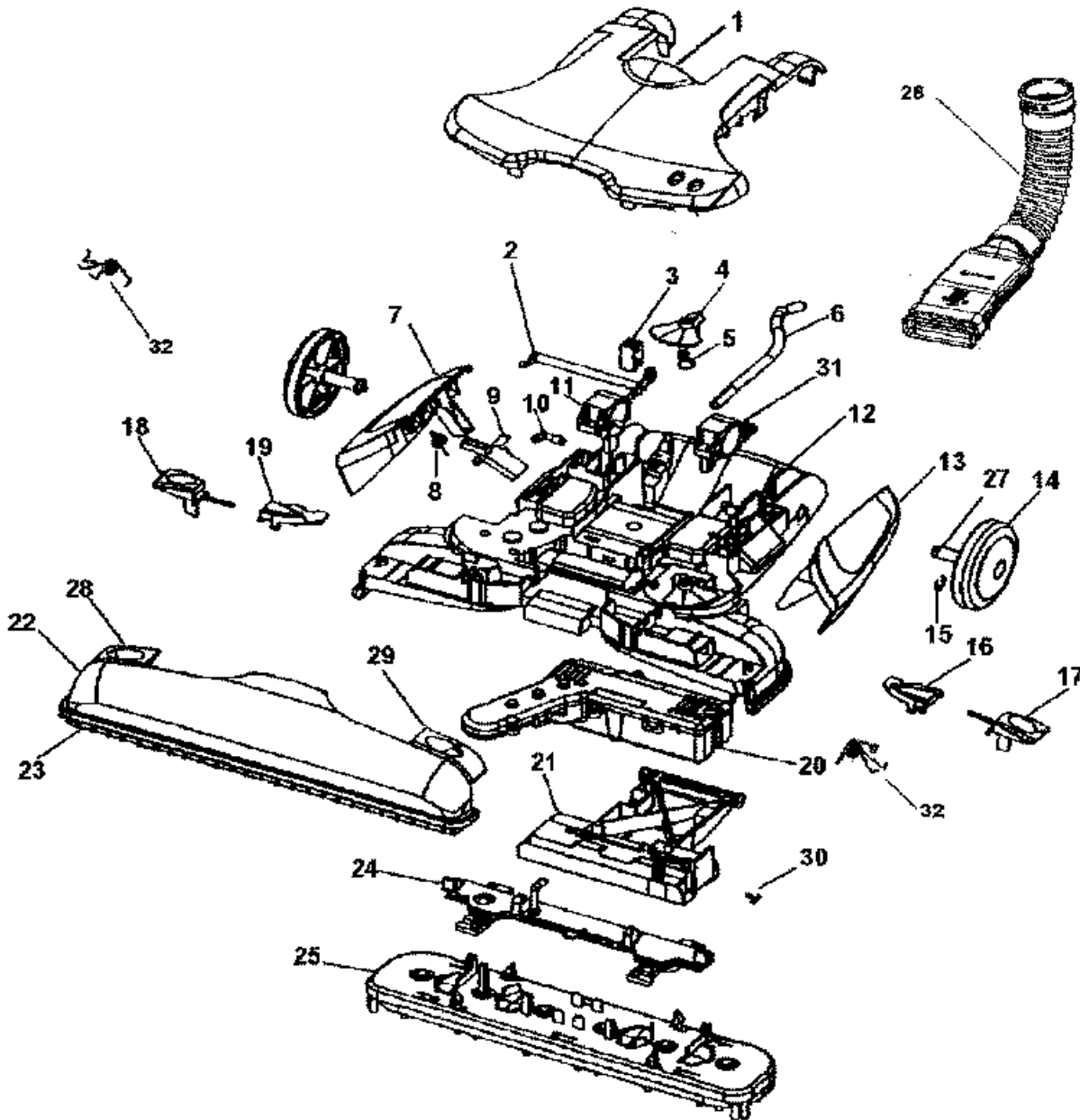
FloorMATE™ with SpinScrub™ Brushes The Hard Floor Cleaner

12

ASSEMBLY SCHEMATIC

MODEL NO.

H3000





FloorMATE™ with SpinScrub™ Brushes The Hard Floor Cleaner

12

PART LISTING / PRICE LIST

ITEM	PART NUMBER	MODELS TO FIT	PART DESCRIPTION	LIST COST
1	59177022	H3000	HOOD / NOZZLE COVER ASSEMBLY	11.33
2	59177028	H3000	BRUSH LIFTING LEVER	1.81
3	59177036	H3000	BRUSH ACTIVATOR	1.12
4	59177030	H3000	INDICATOR - UP/DOWN	1.12
5	59177032	H3000	INDICATOR SPRING	1.12
6	59177006	H3000	SOLUTION TUBE	2.94
7	59177020	H3000	HANDLE RELEASE PEDAL	6.00
8	59177037	H3000	LOCK PLATE SPRING	1.12
9	59177472	H3000	LOCK PLATE	1.12
10	59177035	H3000	ELBOW SLEEVE	1.12
11	59177024	H3000	TURNING CAP - RIGHT	1.46
12	59177025	H3000	MAIN BODY / NOZZLE BASE w/BUMPER	27.56
13	59177021	H3000	SQUEEGEE PEDAL	6.79
14	59177044	H3000	REAR WHEEL ASSEMBLY	6.79
15	59177088	H3000	LOCK RING	.57
16	59177033	H3000	CAP - BRUSH BLOCK BUTTON - LEFT	1.12
17	59177026	H3000	BRUSH BLOCK BUTTON - LEFT	1.12
18	59177027	H3000	BRUSH BLOCK BUTTON - RIGHT	1.12
19	59177034	H3000	CAP - BRUSH BLOCK BUTTON - RIGHT	1.12
20	59177039	H3000	BRUSH MOTOR ASSEMBLY	56.69
21	59177041	H3000	FRONT WHEEL ASSEMBY	20.40
	59177085	H3000	FRONT WHEEL SHAFT - ONLY	3.73
	59177086	H3000	FRONT WHEEL - ONLY	5.66
22	59177043	H3000	NOZZLE ASSEMBLY	22.67
23	59177047	H3000	RETAINER/SQUEEGEE	9.06
24	59177153	H3000	DISTRIBUTOR ASSEMBLY	4.07
25	59177038	H3000	BRUSH BLOCK ASSEMBLY	39.68
	59177607	H3000	GROUT BRUSH BLOCK ASSEMBLY	49.67
26	59177042	H3000	WATER CHANNEL/HOSE	9.74
27	59177087	H3000	REAR AXLE - 2 PER	3.73
28	59177089	H3000	NOZZLE LATCH - RIGHT	1.13
29	59177090	H3000	NOZZLE LATCH - LEFT	1.13
30	59177084	H3000	SNAP PIN	1.12
31	59177023	H3000	TURNING CAP - LEFT	1.46
32	59177276	H3000	PEDAL SPRING	1.12
	59177091	H3000	SCREW - MOTOR MOUNT / TURNING	1.12

MODEL No.

H3000

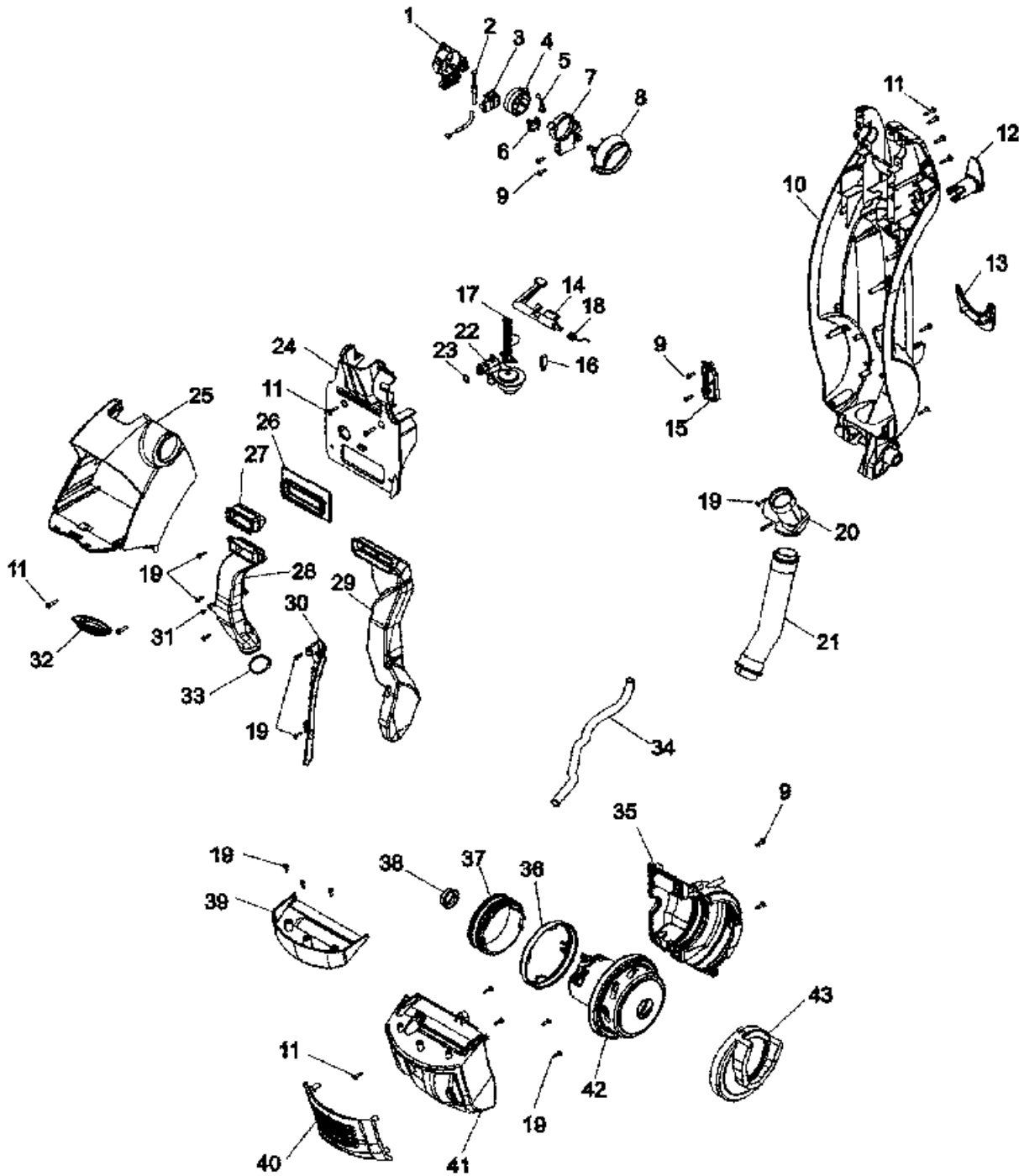


12

ASSEMBLY SCHEMATIC

MODEL NO.

H3030
H3032
FH40000





PART LISTING / PRICE LIST

MODEL No.

H3030
H3032
FH40000

ITEM	PART NUMBER	MODELS TO FIT	PART DESCRIPTION	LIST COST
1	93001119	ALL	BEARING - MODE CONTROL / RIGHT	1.13
2	93001120	ALL	CABLE - MODE CONTROL	5.09
	93002293	ALL	CABLE RETAINER - FOOT	.89
3	93001136	ALL	CABLE RETAINER	.57
4	93001121	ALL	ACTUATOR - MODE CONTROL	1.13
5	93001122	ALL	SPRING - MODE CONTROL	.57
6	93001135	ALL	SWITCH - MODE CONTROL	5.09
7	93001123	ALL	BEARING - MODE CONTROL / LEFT	1.13
8	93001126	H3030	KNOB - MODE CONTROL	1.69
	93001124	H3032	KNOB - MODE CONTROL ALASKAN GREEN	1.69
	59178907	FH40000	KNOB - MODE CONTROL IMPERIAL RED	1.05
9	93001733	ALL	SCREW #8 x 12-1/2"	.57
10	93001129	ALL	TANK HOUSING	13.03
11	93001736	ALL	SCREW #8 x 12-3/4"	.57
12	93001130	ALL	UPPER CORD WRAP	1.13
13	93001131	ALL	LOWER CORD HOOK	1.13
14	93001158	H3030	LATCH - UPPER HANDLE	1.13
	93001156	H3032	LATCH - UPPER HANDLE ALASKAN GREEN	1.13
	59178910	FH40000	LATCH - UPPER HANDLE IMPERIAL RED	.88
15	93001127	ALL	CORD RETAINER	.57
16	93001160	ALL	RESET SWITCH	2.82
17	93001161	ALL	CONTROL ROD - LOWER	.57
18	93001159	ALL	SPRING	.57
19	93001734	ALL	SCREW #6 x 10-1/2"	.57
20	93001172	ALL	LOWER SUCTION DUCT	.57
21	93001192	H3030	HOSE ASSEMBLY	4.53
	93001191	H3032	HOSE ASSEMBLY	4.53
	59178899	FH40000	HOSE ASSEMBLY - IMPERIAL RED	4.26
22	93001829	ALL	RESERVOIR ASSEMBLY	7.31
23	93001155	ALL	O-RING - RECOVERY DUCT	.57
24	93001154	ALL	HANDLE RETAINER	3.96
25	93001178	H3030	CARRY HANDLE	6.79
	93001176	H3032	CARRY HANDLE	6.79
	59178909	FH40000	CARRY HANDLE - IMPERIAL RED	11.06
26	93001174	ALL	SEAL - SUCTION DUCT	1.13



12

PART LISTING / PRICE LIST

ITEM	PART NUMBER	MODELS TO FIT	PART DESCRIPTION	LIST COST
27	93001175	ALL	SEAL - RECOVERY DUCT	1.13
28	93002026	ALL	RECOVERY DUCT	4.76
29	93001167	ALL	SUCTION DUCT	3.96
30	93001166	ALL	CORD COVER - TANK HOUSING	7.77
31	93001735	ALL	SCREW #6 x 24-3/8"	.57
32	93001743	ALL	SEAL	1.12
	93001995	ALL	RECOVERY SEAL PLATE	1.12
33	93001202	ALL	O-RING	.57
34	93001165	ALL	TUBING - 28"	1.13
35	93001173	ALL	MOTOR COVER - REAR	5.09
36	93001186	ALL	MOTOR SEAL RETAINER	1.13
37	93001185	ALL	MOTOR MOUNT	2.82
38	93001184	ALL	SEAL - MOTOR END BEARING	.57
39	93001200	H3030	MOTOR COVER CAP	2.59
	59178155	H3032	MOTOR COVER CAP - ALASKAN GREEN	PENDING
	59178915	FH40000	MOTOR COVER CAP - CLEAR	5.67
40	93001194	ALL	MOTOR COVER VENT	1.46
41	93001193	ALL	MOTOR COVER	4.53
42	93001828	ALL	MOTOR ASSEMBLY	68.03
43	93001190	ALL	SEAL - MOTOR FAN	4.53
	93001203	ALL	POWER CORD	10.20

MODEL No.

H3030
H3032
FH40000

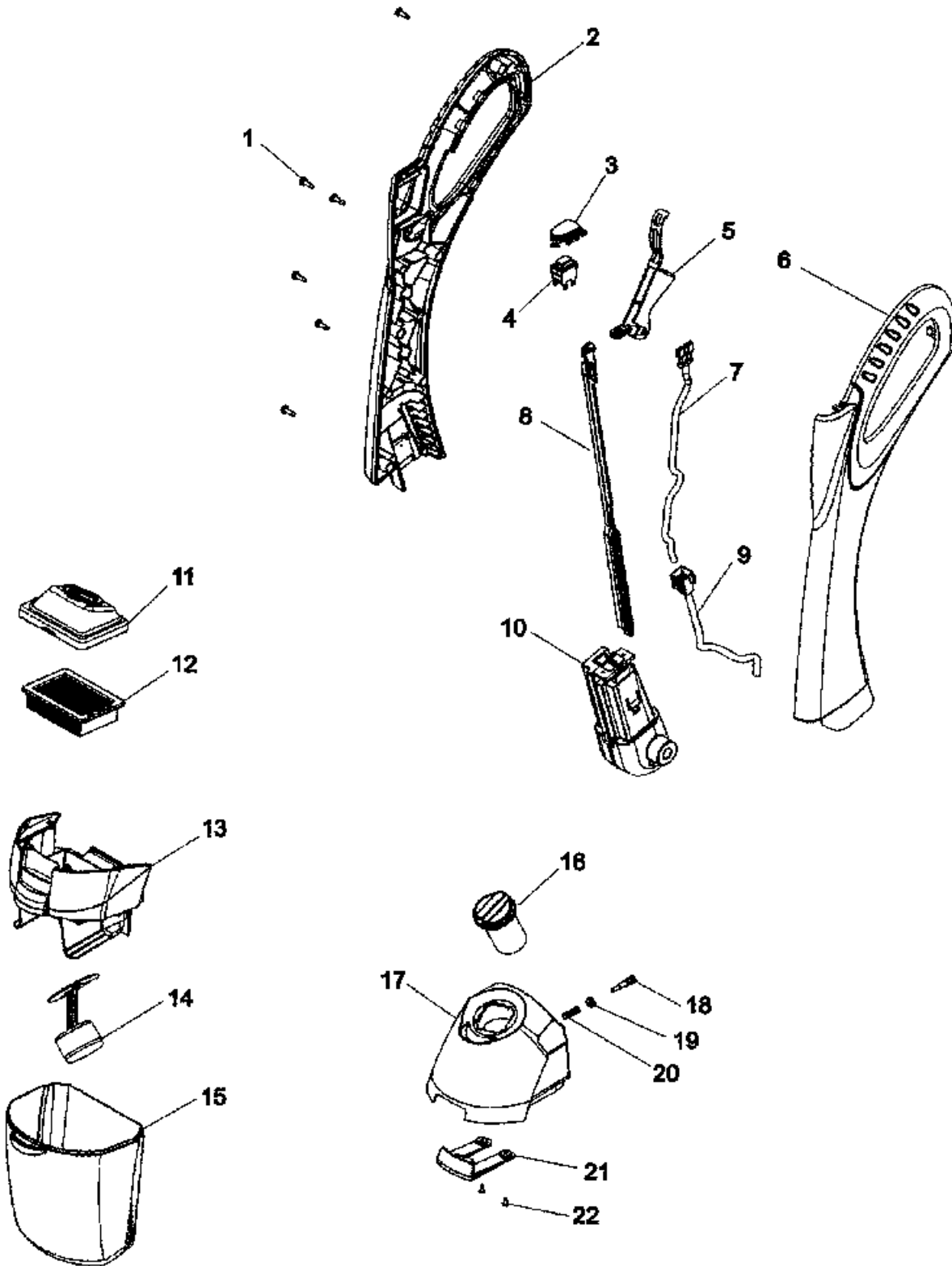


12

ASSEMBLY SCHEMATIC

MODEL NO.

H3030
H3032
FH40000





12

PART LISTING / PRICE LIST

MODEL No.

H3030
H3032
FH40000

ITEM	PART NUMBER	MODELS TO FIT	PART DESCRIPTION	LIST COST
1	93001733	ALL	SCREW #8 X 12-1/2"	.57
2	93001140	H3030	UPPER HANDLE - RIGHT	6.23
	93001138	H3032	UPPER HANDLE - RIGHT ALASKAN GREEN	6.23
	59178914	FH40000	UPPER HANDLE - RIGHT IMPERIAL RED	9.17
3	93001113	H3030	SWITCH BOOT	1.13
	93001111	H3032	SWITCH BOOT - ALASKAN GREEN	1.13
	59178906	FH40000	SWITCH BOOT - IMPERIAL RED	1.96
4	93001114	H3030	SWITCH	3.96
	93001972	H3032, FH40000	SWITCH	5.66
5	93001109	ALL	CONTROL LEVER	1.13
6	93001118	H3030	UPPER HANDLE - LEFT	6.23
	93001116	H3032	UPPER HANDLE - LEFT ALASKAN GREEN	6.23
	59178913	FH40000	UPPER HANDLE - LEFT IMPERIAL RED	9.17
7	93001115	ALL	WIRING HARNESS	5.09
8	93001110	ALL	CONTROL ROD UPPER	1.42
9	93001141	ALL	WIRING HARNESS	3.16
10	93001137	ALL	UPPER HANDLE CORE ASSEMBLY	5.09
11	93001179	ALL	FILTER LID	1.46
12	40112050	ALL	TANK FILTER (1 PER)	4.99 <small>NON DISC</small>
13	93001182	H3030	RECOVERY TANK LID ASSEMBLY	17.00
	93001180	H3032	RECOVERY TANK LID ASSEMBLY - GREEN	17.00
	59178875	FH40000	RECOVERY TANK LID ASSEMBLY - CLEAR	26.39
14	93001183	H3030	FLOAT - HINGED SIDE	2.59
	59178801	ALL	FLOAT - HINGED FRONT	2.59
15	93001197	H3030	RECOVERY TANK	28.34
	93001195	H3032	RECOVERY TANK - ALASKAN GREEN	28.34
	59178873	FH40000	RECOVERY TANK - CLEAR	28.34
16	93001144	H3030	SOLUTION TANK CAP ASSEMBLY	4.06
	93001142	H3032	SOLUTION TANK CAP ASSEMBLY - GREEN	4.06
	59178885	FH40000	SOLUTION TANK CAP ASSEMBLY - IMPER RED	4.06
17	93001147	H3030	SOLUTION TANK ASSEMBLY	24.84
	93001145	H3032	SOLUTION TANK ASSEMBLY - ALASKAN GREEN	24.84
	59178884	FH40000	SOLUTION TANK ASSEMBLY - IMPERIAL RED	24.84
18	93001148	ALL	VALVE STEM	.57
19	93001149	ALL	VALVE SEAL	.57
20	93001150	ALL	SPRING	.57



12

PART LISTING / PRICE LIST

ITEM	PART NUMBER	MODELS TO FIT	PART DESCRIPTION	LIST COST
21	93001153	H3030	LATCH - SOLUTION TANK	1.13
	93001151	H3032	LATCH - SOLUTION TANK ALASKAN GREEN	1.13
	59178882	FH40000	LATCH - SOLUTION TANK IMPERIAL RED	.63
22	93001735	ALL	SCREW #6 X 24-3/8"	.57
	93001976	ALL	SPRING - SOLUTION TANK LATCH	.57

MODEL No.

H3030
H3032
FH40000

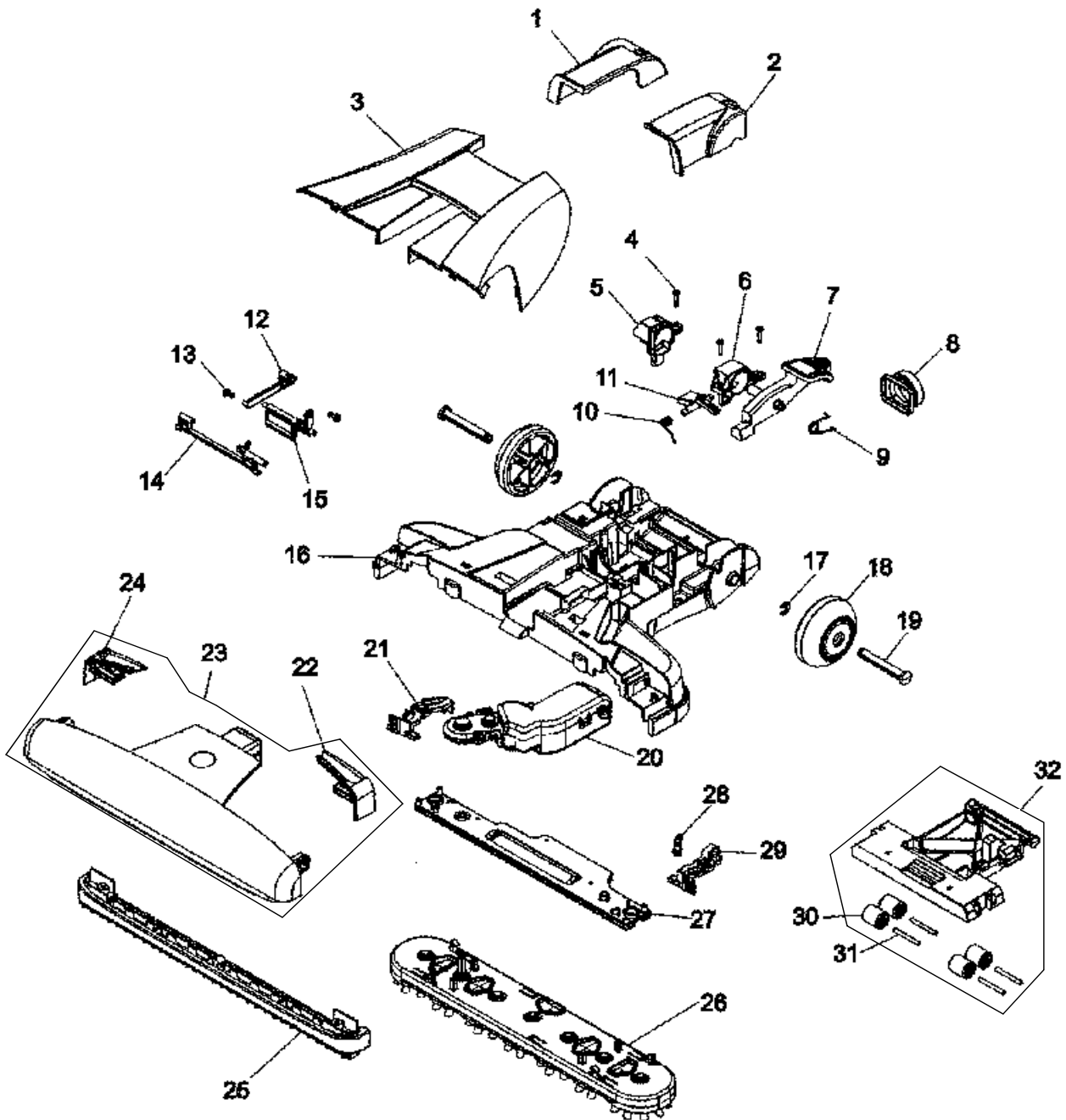


12

ASSEMBLY SCHEMATIC

MODEL NO.

H3030
H3032
FH40000





PART LISTING / PRICE LIST

ITEM	PART NUMBER	MODELS TO FIT	PART DESCRIPTION	LIST COST
1	93001042	H3030	HOOD REAR COVER - RIGHT	1.69
	93001037	H3032	HOOD REAR COVER - RIGHT CLEAR	1.69
	59178904	FH40000	HOOD REAR COVER - RIGHT CLEAR	1.26
2	93001039	H3030	HOOD REAR COVER - LEFT	1.69
	93001040	H3032	HOOD REAR COVER - LEFT CLEAR	1.69
	93001040	FH40000	HOOD REAR COVER - LEFT CLEAR	1.26
3	93001058	H3030	HOOD / NOZZLE COVER	4.53
	93001057	H3032	HOOD / NOZZLE COVER	6.79
4	93001736	ALL	SCREW #8 x 12-3/4"	.57
5	93001056	ALL	TRUNNION COVER - RIGHT	.57
6	93001055	ALL	TRUNNION COVER - LEFT	.57
7	93001048	H3030	HANDLE RELEASE PEDAL	2.03
	93001046	H3032	HANDLE RELEASE PEDAL	2.03
	59178903	FH40000	HANDLE RELEASE PEDAL - IMPERIAL RED	.98
8	93001054	H3030	GROMMET - WATER CHANNEL	.74
	59178921	H3032	GROMMET - WATER CHANNEL ALASKAN GREEN	.56
	59178901	FH40000	GROMMET - WATER CHANNEL IMPERIAL RED	.49
9	93001049	ALL	SPRING - HANDLE RELEASE PEDAL	.57
10	93001051	ALL	SPRING - HANDLE RELEASE	.57
11	93001050	ALL	HANDLE RELEASE - ARCTIC WHITE	.89
12	93001068	ALL	LIFTER LINK	.57
13	93001066	ALL	FASTENER - PINCH PIN	.57
14	93002049	H3030	CAM ARM - BRUSH BLOCK	1.12
	93001069	H3032, FH40000	CAM ARM - BRUSH BLOCK	.89
15	93001067	ALL	CAM ARM - FRONT WHEEL CARRIAGE	.57
16	93001045	H3030	MAIN BODY / NOZZLE BASE	20.40
	59178863	H3032	MAIN BODY / NOZZLE BASE - ALASKAN GREEN	20.40
		FH40000	MAIN BODY / NOZZLE BASE - IMPERIAL RED	
17	59177088	ALL	LOCK RING	.57
18	93001062	H3030	REAR WHEEL ASSEMBLY - PURPLE FROST	2.82
	93001060	H3032	REAR WHEEL ASSEMBLY - ALASKAN GREEN	2.82
	59178902	FH40000	REAR WHEEL ASSEMBLY - BLACK	2.31
19	93001059	ALL	REAR WHEEL AXLE	1.46
20	93001079	ALL	BRUSH MOTOR ASSEMBLY	31.74

MODEL No.

H3030
H3032
FH40000



PART LISTING / PRICE LIST

MODEL No.

H3030
H3032
FH40000

ITEM	PART NUMBER	MODELS TO FIT	PART DESCRIPTION	LIST COST
21	93001082	H3030	LATCH - BRUSH BLOCK RIGHT	.57
	93001080	H3032	LATCH - BRUSH BLOCK RIGHT	.57
	59178898	FH40000	LATCH - BRUSH BLOCK RIGHT IMPERIAL RED	.87
22	93001072	H3030	NOZZLE LATCH - LEFT	1.13
	59178856	H3030	NOZZLE LATCH - LEFT ALASKAN GREEN	1.13
	59178892	H3030	NOZZLE LATCH - LEFT IMPERIAL RED	1.68
23	93001078	H3030	NOZZLE	10.20
	59178166	H3030	NOZZLE ASSEMBLY - PURPLE FROST	24.29
	59178852	H3032	NOZZLE ASSEMBLY - ALASKAN GREEN	15.12
		FH40000	NOZZLE ASSEMBLY - IMPERIAL RED	
24	93001075	H3030	NOZZLE LATCH - RIGHT	1.13
	59178858	H3032	NOZZLE LATCH - RIGHT ALASKAN GREEN	1.13
	59178890	FH40000	NOZZLE LATCH - RIGHT IMPERIAL RED	1.68
25	93001096	H3030	SQUEEGEE	9.06
	59178855	H3032	SQUEEGEE - ALASKAN GREEN	8.68
		FH40000	SQUEEGEE - IMPERIAL RED	
26	93001091	ALL	BRUSH BLOCK ASSEMBLY - 6 BRUSH	28.34
	93001093	H3030	GROUT BRUSH BLOCK ASSEMBLY	22.67
27	93001085	H3030	DISTRIBUTOR ASSEMBLY	9.19
	59178660	H3032	DISTRIBUTOR ASSEMBLY - ALASKAN GREEN	N.A.
		FH40000	DISTRIBUTOR ASSEMBLY - IMPERIAL RED	
28	93001086	ALL	ELBOW CONNECTOR	N.L.A.
29	93001089	H3030	LATCH - BRUSH BLOCK LEFT	.57
	93001087	H3032	LATCH - BRUSH BLOCK LEFT ALASKAN GREEN	.57
	59178897	FH40000	LATCH - BRUSH BLOCK LEFT IMPERIAL RED	.87
30	93001064	ALL	FRONT WHEEL	1.13
31	93001065	ALL	FRONT WHEEL SHAFT	.57
32	93001063	ALL	FRONT WHEEL ASSEMBLY	6.79



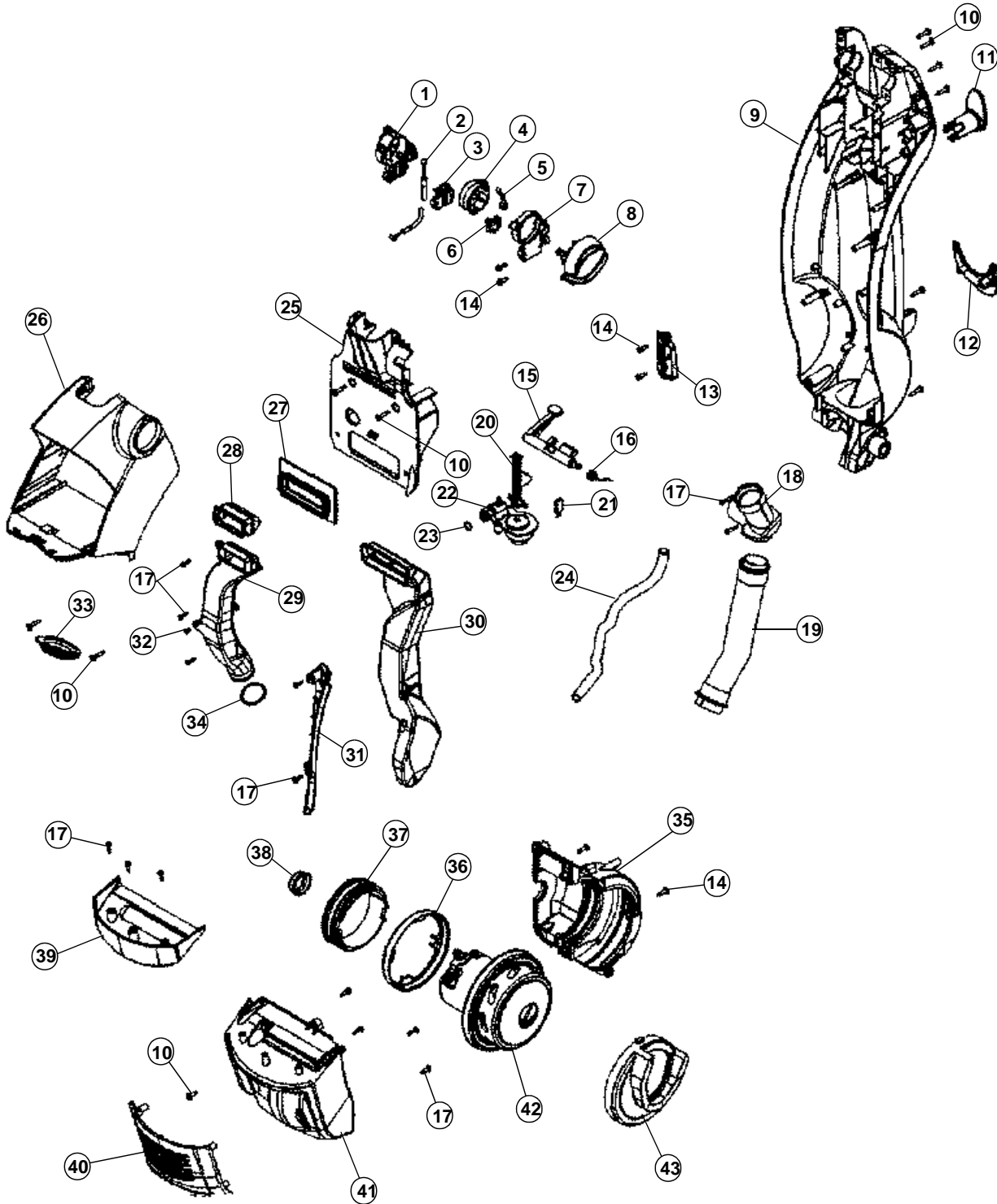
FloorMate

12

ASSEMBLY SCHEMATIC

MODEL NO.

H3040
H3044
H3045





FloorMate

12

PART LISTING / PRICE LIST

MODEL No.

H3040
H3044
H3045

ITEM	PART NUMBER	MODELS TO FIT	PART DESCRIPTION	LIST COST
1	93001119	H3040, H3044, H3045	BEARING - MODE CONTROL RIGHT	1.13
2	93001120	H3040, H3044, H3045	CABLE - MODE CONTROL	5.09
	93002293	H3040, H3044, H3045	CABLE RETAINER - FOOT	.89
3	93001136	H3040, H3044, H3045	CABLE RETAINER	.57
4	93001121	H3040, H3044, H3045	ACTUATOR - MODE CONTROL	1.13
5	93001122	H3040, H3044, H3045	SPRING - MODE CONTROL	.57
6	93001135	H3040, H3044, H3045	SWITCH - MODE CONTROL	5.09
7	93001123	H3040, H3044, H3045	BEARING - MODE CONTROL LEFT	1.13
8	59178552	H3040, H3044	KNOB - MODE CONTROL CRYSTAL BLUE	PENDING
	59178907	H3045	KNOB - MODE CONTROL IMPERIAL RED	1.05
9	93001129	H3040, H3044, H3045	TANK HOUSING	13.03
10	93001736	H3040, H3044, H3045	SCREW #8 x 12-3/4"	.57
11	93001130	H3040, H3044, H3045	UPPER CORD WRAP	1.13
12	93001131	H3040, H3044, H3045	LOWER CORD HOOK	1.13
13	93001127	H3040, H3044, H3045	CORD RETAINER	.57
14	93001733	H3040, H3044, H3045	SCREW #8 x 12-1/2"	.57
15	59178535	H3040, H3044	LATCH - UPPER HANDLE/RIGHT CRYSTAL BLUE	PENDING
	59178910	H3045	LATCH - UPPER HANDLE IMPERIAL RED	.88
16	93001159	H3040, H3044, H3045	SPRING	.57
17	93001734	H3040, H3044, H3045	SCREW #6 x 10-1/2"	.57
18	93001172	H3040, H3044, H3045	LOWER SUCTION DUCT	.57
19	59178830	H3040, H3044	HOSE ASSEMBLY - CRYSTAL BLUE	.88
	59178899	H3045	HOSE ASSEMBLY - IMPERIAL RED	4.26
20	93001161	H3040, H3044, H3045	CONTROL ROD - LOWER	.57
21	93001160	H3040, H3044, H3045	RESET SWITCH	2.82
22	93001829	H3040, H3044, H3045	RESERVOIR ASSEMBLY	7.31
23	93001155	H3040, H3044, H3045	O-RING	.57
24	93001165	H3040, H3044, H3045	TUBING - 28"	1.13
25	93001154	H3040, H3044, H3045	HANDLE RETAINER	3.96
26	93001176	H3040, H3044	CARRY HANDLE	6.79
	59178909	H3045	CARRY HANDLE	11.06
27	93001174	H3040, H3044, H3045	SEAL - SUCTION DUCT	1.13
28	93001175	H3040, H3044, H3045	SEAL - RECOVERY DUCT	1.13
29	93002026	H3040, H3044, H3045	RECOVERY DUCT	4.76
30	93001167	H3040, H3044, H3045	SUCTION DUCT	3.96
31	93001166	H3040, H3044, H3045	CORD COVER - TANK HOUSING	7.77



FloorMate

12

PART LISTING / PRICE LIST

ITEM	PART NUMBER	MODELS TO FIT	PART DESCRIPTION	LIST COST
32	93001735	H3040, H3044, H3045	SCREW #6 x 24-3/8"	.57
33	93001743	H3040, H3044, H3045	SEAL	1.12
	93001995	H3040, H3044, H3045	RECOVERY SEAL PLATE	1.12
34	93001202	H3040, H3044, H3045	O-RING	.57
35	93001173	H3040, H3044, H3045	MOTOR COVER REAR	5.09
36	93001186	H3040, H3044, H3045	MOTOR SEAL RETAINER	1.13
37	93001185	H3040, H3044, H3045	MOTOR MOUNT	2.82
38	93001184	H3040, H3044, H3045	SEAL - MOTOR END BEARINGS	.57
39	59178507	H3040, H3044	MOTOR COVER CAP - CRYSTAL BLUE	PENDING
	59178915	H3045	MOTOR COVER CAP - CLEAR	5.67
40	93001194	H3040, H3044, H3045	MOTOR COVER VENT	1.46
41	93001193	H3040, H3044, H3045	MOTOR COVER	4.53
42	93001828	H3040, H3044, H3045	MOTOR ASSEMBLY	68.03
43	93001190	H3040, H3044, H3045	SEAL - MOTOR FAN	4.53
	93001203	H3040, H3044, H3045	ATTACHMENT CORD	10.20

MODEL No.

H3040
H3044
H3045



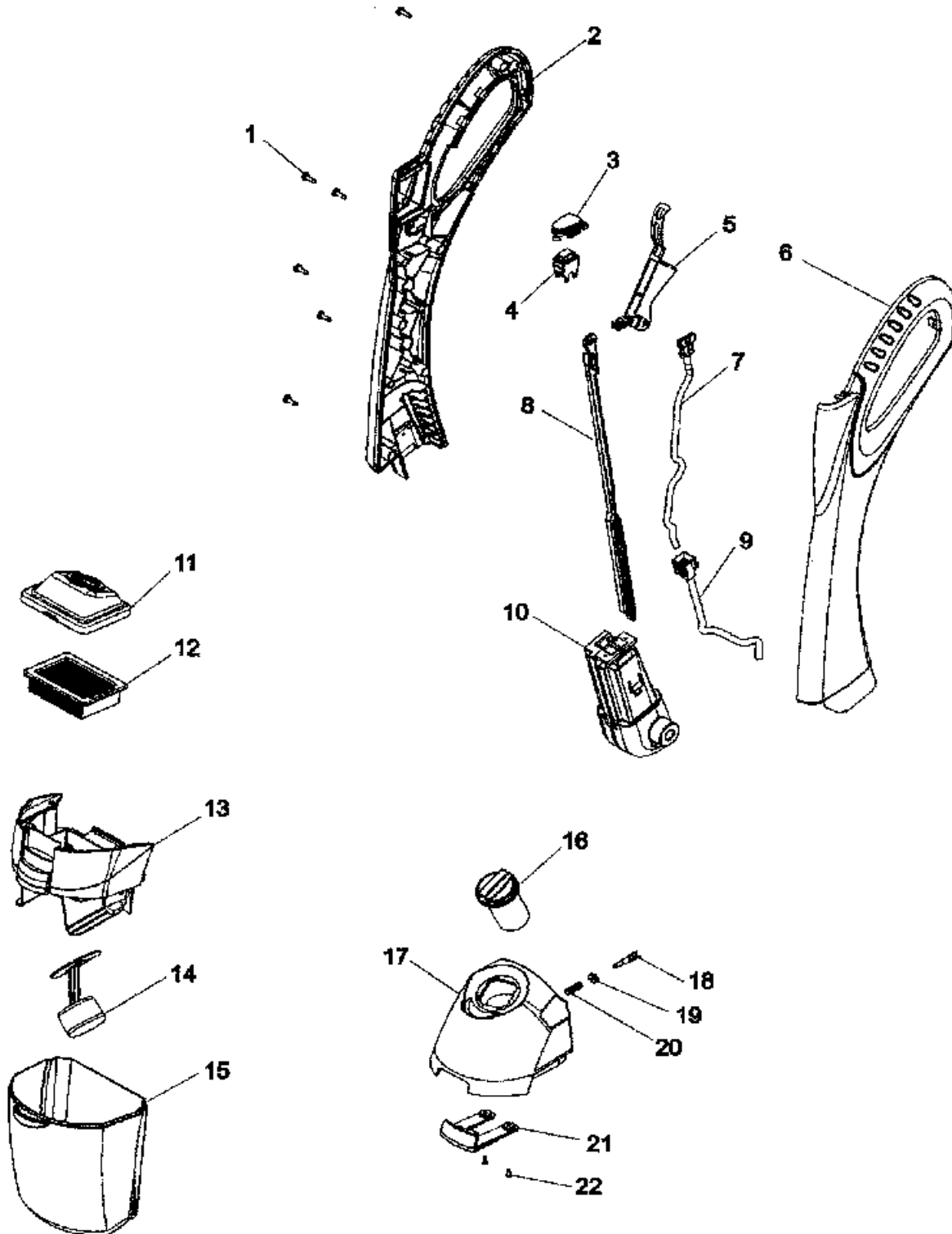
FloorMate

12

ASSEMBLY SCHEMATIC

MODEL NO.

H3040
H3044
H3045





FloorMate

12

PART LISTING / PRICE LIST

MODEL No.

H3040
H3044
H3045

ITEM	PART NUMBER	MODELS TO FIT	PART DESCRIPTION	LIST COST
1	93001733	H3040, H3044, H3045	SCREW #8 x 12-1/2"	.57
2	59178565	H3040, H3044	UPPER HANDLE - RIGHT CRYSTAL BLUE	8.96
	59178914	H3045	UPPER HANDLE - RIGHT IMPERIAL RED	9.17
3	93001113	H3040, H3044	SWITCH BOOT - CRYSTAL BLUE	1.13
	59178906	H3045	SWITCH BOOT - IMPERIAL RED	1.96
4	93001972	H3040, H3044, H3045	SWITCH	5.66
5	93001109	H3040, H3044, H3045	CONTROL LEVER	1.13
6	59178564	H3040, H3044	UPPER HANDLE - LEFT CRYSTAL BLUE	9.09
	59178913	H3045	UPPER HANDLE - LEFT IMPERIAL RED	9.17
7	93001115	H3040, H3044, H3045	WIRING HARNESS - UPPER HANDLE	5.09
8	93001110	H3040, H3044, H3045	CONTROL ROD UPPER	1.42
9	93001141	H3040, H3044, H3045	WIRING HARNESS - UPPER HANDLE CORE	3.16
10	93001137	H3040, H3044, H3045	UPPER HANDLE CORE ASSEMBLY	5.09
11	93001179	H3040, H3044, H3045	FILTER LID	1.46
12	40112050	H3040, H3044, H3045	TANK FILTER (1 PER)	4.99 NON DISC
13	93001181	H3040, H3044	RECOVERY TANK LID ASSEMBLY - C BLUE	17.00
	59178875	H3045	RECOVERY TANK LID ASSEMBLY - CLEAR	26.39
14	59178801	H3040, H3044, H3045	FLOAT - HINGED FRONT	2.59
15	59178791	H3040, H3044	RECOVERY TANK - CRYSTAL BLUE	28.34
	59178873	H3045	RECOVERY TANK - CLEAR	28.34
16	93001143	H3040, H3044	SOLUTION TANK CAP ASSEMBLY - CRYSTAL BLUE	4.06
	59178885	H3045	SOLUTION TANK CAP ASSEMBLY - IMPERIAL RED	4.06
17	93001146	H3040, H3044	SOLUTION TANK ASSEMBLY - CRYSTAL BLUE	24.84
	59178884	H3045	SOLUTION TANK ASSEMBLY - IMPERIAL RED	24.84
18	93001148	H3040, H3044, H3045	VALVE STEM	.57
19	93001149	H3040, H3044, H3045	VALVE SEAL	.57
20	93001150	H3040, H3044, H3045	SPRING - SOLUTION TANK VALVE	.57
21	59178493	H3040, H3044	LATCH - SOLUTION TANK CRYSTAL BLUE	PENDING
	59178882	H3045	LATCH - SOLUTION TANK IMPERIAL RED	.63
22	93001735	H3040, H3044, H3045	SCREW #6 x 24-3/8"	.57
	93001976	H3040, H3044, H3045	SPRING - SOLUTION TANK LATCH	.57



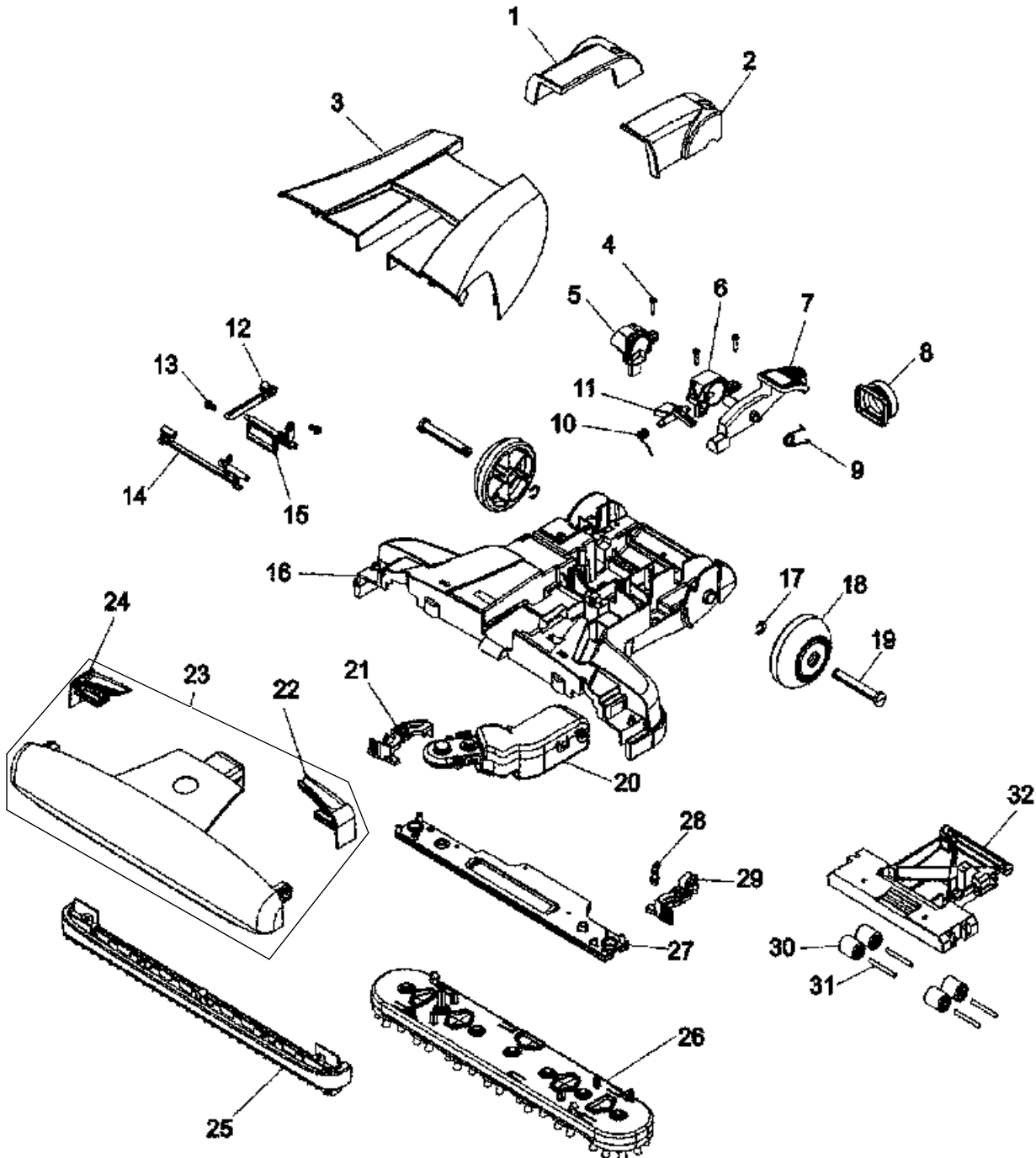
FloorMate

12

ASSEMBLY SCHEMATIC

MODEL NO.

H3040
H3044
H3045





FloorMate

12

PART LISTING / PRICE LIST

ITEM	PART NUMBER	MODELS TO FIT	PART DESCRIPTION	LIST COST
1	93001041	H3040, H3044	HOOD REAR COVER - RIGHT	1.69
	59178904	H3045	HOOD REAR COVER - RIGHT CLEAR	1.26
2	93001038	H3040, H3044	HOOD REAR COVER - LEFT	1.69
	59178905	H3045	HOOD REAR COVER - LEFT CLEAR	1.26
3	93001057	H3040, H3044, H3045	HOOD / NOZZLE COVER	6.79
4	93001736	H3040, H3044, H3045	SCREW #8 x 12-3/4"	.57
5	93001056	H3040, H3044, H3045	TRUNNION COVER - RIGHT	.57
6	93001055	H3040, H3044, H3045	TRUNNION COVER - LEFT	.57
7	59178543	H3040, H3044	HANDLE RELEASE PEDAL - CRYSTAL BLUE	PENDING
	59178903	H3045	HANDLE RELEASE PEDAL - IMPERIAL RED	.98
8	59178534	H3040, H3044	GROMMET - WATER CHANNEL CRYSTAL BLUE	PENDING
	59178901	H3045	GROMMET - WATER CHANNEL IMPERIAL RED	.49
9	93001049	H3040, H3044, H3045	SPRING - HANDLE RELEASE PEDAL	.57
10	93001051	H3040, H3044, H3045	SPRING - HANDLE RELEASE	.57
11	93001050	H3040, H3044, H3045	HANDLE RELEASE	.89
12	93001068	H3040, H3044, H3045	LIFTER LINK	.57
13	93001066	H3040, H3044, H3045	FASTENER - PINCH PIN	.57
14	93001069	H3040, H3044, H3045	CAM ARM - BRUSH BLOCK	.89
15	93001067	H3040, H3044, H3045	CAM ARM - FRONT WHEEL CARRIAGE	.57
16	93001044	H3040, H3044	MAIN BODY / NOZZLE BASE - CRYSTAL BLUE	20.40
	59178911	H3045	MAIN BODY / NOZZLE BASE - IMPERIAL RED	20.40
17	59177088	H3040, H3044, H3045	LOCK RING	.57
18	93001061	H3040, H3044	REAR WHEEL ASSEMBLY - CRYSTAL BLUE	2.82
	59178902	H3045	REAR WHEEL ASSEMBLY - BLACK	2.31
19	93001059	H3040, H3044, H3045	REAR WHEEL AXLE	1.46
20	93001079	H3040, H3044, H3045	BRUSH MOTOR ASSEMBLY	31.74
21	59178518	H3040, H3044	LATCH - BRUSH BLOCK RIGHT CRYSTAL BLUE	N.L.A.
	59178898	H3045	LATCH - BRUSH BLOCK RIGHT IMPERIAL RED	.87
22	93001071	H3040, H3044	NOZZLE LATCH - LEFT CRYSTAL BLUE	1.13
	59178892	H3045	NOZZLE LATCH - LEFT IMPERIAL RED	1.68
23	59178924	H3040, H3044	NOZZLE ASSEMBLY - CRYSTAL BLUE	18.54
	59178888	H3045	NOZZLE ASSEMBLY - IMPERIAL RED	18.54
24	93001074	H3040, H3044	NOZZLE LATCH - RIGHT CRYSTAL BLUE	1.13
	59178890	H3045	NOZZLE LATCH - RIGHT IMPERIAL RED	1.68
25	93001095	H3040, H3044	SQUEEGEE ASSEMBLY - CRYSTAL BLUE	9.06
	59178889	H3045	SQUEEGEE ASSEMBLY - IMPERIAL RED	8.68

MODEL No.

H3040
H3044
H3045



FloorMate

12

PART LISTING / PRICE LIST

ITEM	PART NUMBER	MODELS TO FIT	PART DESCRIPTION	LIST COST
26	93001090	H3040, H3044, H3045	BRUSH BLOCK ASSEMBLY - 7 BRUSH	28.34
	93001092	H3044, H3045	GROUT BRUSH BLOCK ASSEMBLY	25.50
27	93001084	H3040, H3044	DISTRIBUTOR ASSEMBLY - CRYSTAL BLUE	9.19
	59178894	H3045	DISTRIBUTOR ASSEMBLY - IMPERIAL RED	9.19
28	93001086	H3040, H3044, H3045	ELBOW CONNECTION	N.L.A.
29	93001088	H3040, H3044	LATCH - BRUSH BLOCK LEFT CRYSTAL BLUE	.57
	59178897	H3045	LATCH - BRUSH BLOCK LEFT IMPERIAL RED	.87
30	93001064	H3040, H3044, H3045	FRONT WHEEL	1.13
31	93001065	H3040, H3044, H3045	FRONT WHEEL SHAFT	.57
32	93001063	H3040, H3044, H3045	FRONT WHEEL ASSEMBLY	6.79

MODEL No.

H3040
H3044
H3045

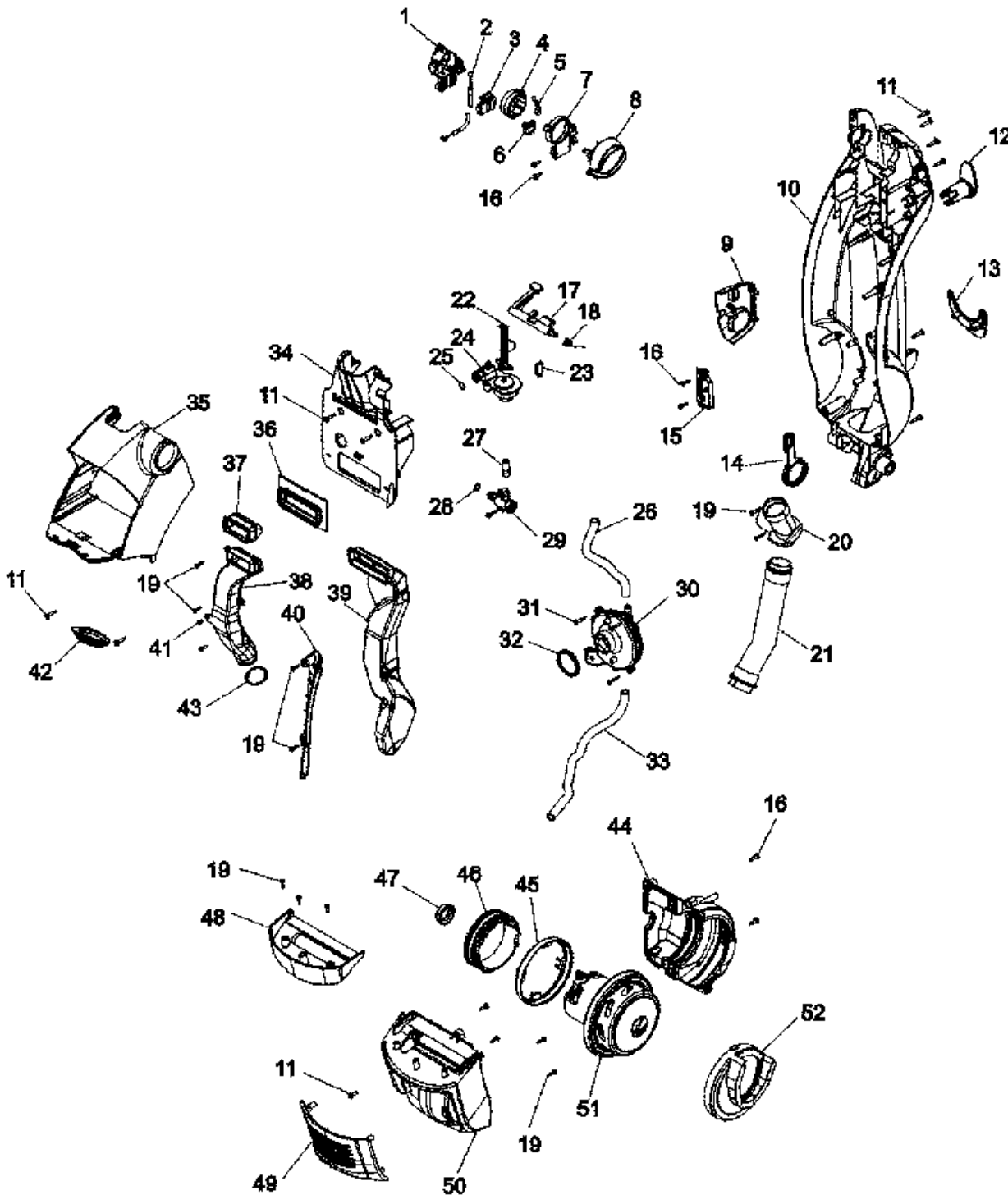


12

ASSEMBLY SCHEMATIC

MODEL NO.

H3050
H3060





12

PART LISTING / PRICE LIST

MODEL No.

H3050
H3060

ITEM	PART NUMBER	MODELS TO FIT	PART DESCRIPTION	LIST COST
1	93001119	H3050, H3060	BEARING - MODE CONTROL RIGHT	1.13
2	93001120	H3050, H3060	CABLE - MODE CONTROL	5.09
	93002293	H3050, H3060	CABLE RETAINER - FOOT	.89
3	93001136	H3050, H3060	CABLE RETAINER	.57
4	93001121	H3050, H3060	ACTUATOR - MODE CONTROL	1.13
5	93001122	H3050, H3060	SPRING - MODE CONTROL	.57
6	93001135	H3050, H3060	SWITCH - MODE CONTROL	5.09
7	93001123	H3050, H3060	BEARING - MODE CONTROL LEFT	1.13
8	59178671	H3050	KNOB - MODE CONTROL MYSTIC LIME GREEN	PENDING
	93001124	H3060	KNOB - MODE CONTROL ALASKAN GREEN	1.69
9	93002029	H3050	TOOL DOOR	2.26
	93001132	H3060	TOOL DOOR	1.69
	93001133	H3060020	TOOL DOOR	1.69
10	93001128	H3050, H3060	TANK HOUSING	13.03
11	93001736	H3050, H3060	SCREW #8 x 12-3/4"	.57
12	93001130	H3050, H3060	UPPER CORD WRAP	1.13
13	93001131	H3050, H3060	LOWER CORD HOOK	1.13
14	93001164	H3050, H3060	SEAL - TOOL PORT	1.13
15	93001127	H3050, H3060	CORD RETAINER	.57
16	93001733	H3050, H3060	SCREW #8 x 12-1/2"	.57
17	59178667	H3050	LATCH - UPPER HANDLE MYSTIC LIME GREEN	PENDING
	93001156	H3060	LATCH - UPPER HANDLE ALASKAN GREEN	1.13
18	93001159	H3050, H3060	SPRING	.57
19	93001734	H3050, H3060	SCREW #6 x 10-1/2"	.57
20	93001172	H3050, H3060	LOWER SUCTION DUCT	.57
21	93001191	H3050, H3060	HOSE ASSEMBLY	4.53
22	93001161	H3050, H3060	CONTROL ROD - LOWER	.57
23	93001160	H3050, H3060	RESET SWITCH	2.82
24	93001162	H3050, H3060	RESERVOIR ASSEMBLY	7.31
25	93001155	H3050, H3060	O-RING	.57
26	93001134	H3050, H3060	TUBING - PUMP	.57
27	93001169	H3050, H3060	TUBING - QUICK DISCONNECT	.57
28	93001171	H3050, H3060	O-RING	.57
29	93001170	H3050, H3060	QUICK DISCONNECT	2.26



12

PART LISTING / PRICE LIST

MODEL NO.

H3050
H3060

ITEM	PART NUMBER	MODELS TO FIT	PART DESCRIPTION	LIST COST
30	93001163	H3050, H3060	PUMP	7.93
31	93001734	H3050, H3060	SCREW #6 x 10-1/2"	.57
32	93001168	H3050, H3060	SEAL - TURBINE PUMP DUCT	.57
33	93001165	H3050, H3060	TUBING - 28"	1.13
34	93001154	H3050, H3060	HANDLE RETAINER	3.96
35	59178665	H3050	CARRY HANDLE - MYSTIC LIME GREEN	PENDING
	93001176	H3060	CARRY HANDLE - ALASKAN GREEN	6.79
36	93001174	H3050, H3060	SEAL - SUCTION DUCT	1.13
37	93001175	H3050, H3060	SEAL - RECOVERY DUCT	1.13
38	93002026	H3050, H3060	RECOVERY DUCT	4.76
39	93001167	H3050, H3060	SUCTION DUCT	3.96
40	93001166	H3050, H3060	CORD COVER - TANK HOUSING	7.77
41	93001735	H3050, H3060	SCREW #6 x 24-3/8"	.57
42	93001743	H3050, H3060	SEAL	1.12
43	93001202	H3050, H3060	O-RING	.57
44	93001173	H3050, H3060	MOTOR COVER REAR	5.09
45	93001186	H3050, H3060	MOTOR SEAL RETAINER	1.13
46	93001185	H3050, H3060	MOTOR MOUNT	2.82
47	93001184	H3050, H3060	SEAL - MOTOR END BEARINGS	.57
48	59178697	H3050	MOTOR COVER CAP - MYSTIC LIME GREEN	PENDING
	59178155	H3060	MOTOR COVER CAP - ALASKAN GREEN	PENDING
49	93001194	H3050, H3060	MOTOR COVER VENT	1.46
50	93001193	H3050, H3060	MOTOR COVER	4.53
51	93001828	H3050, H3060	MOTOR ASSEMBLY	68.03
52	93001190	H3050, H3060	SEAL - MOTOR FAN	4.53
	93001203	H3050, H3060	ATTACHMENT CORD	10.20

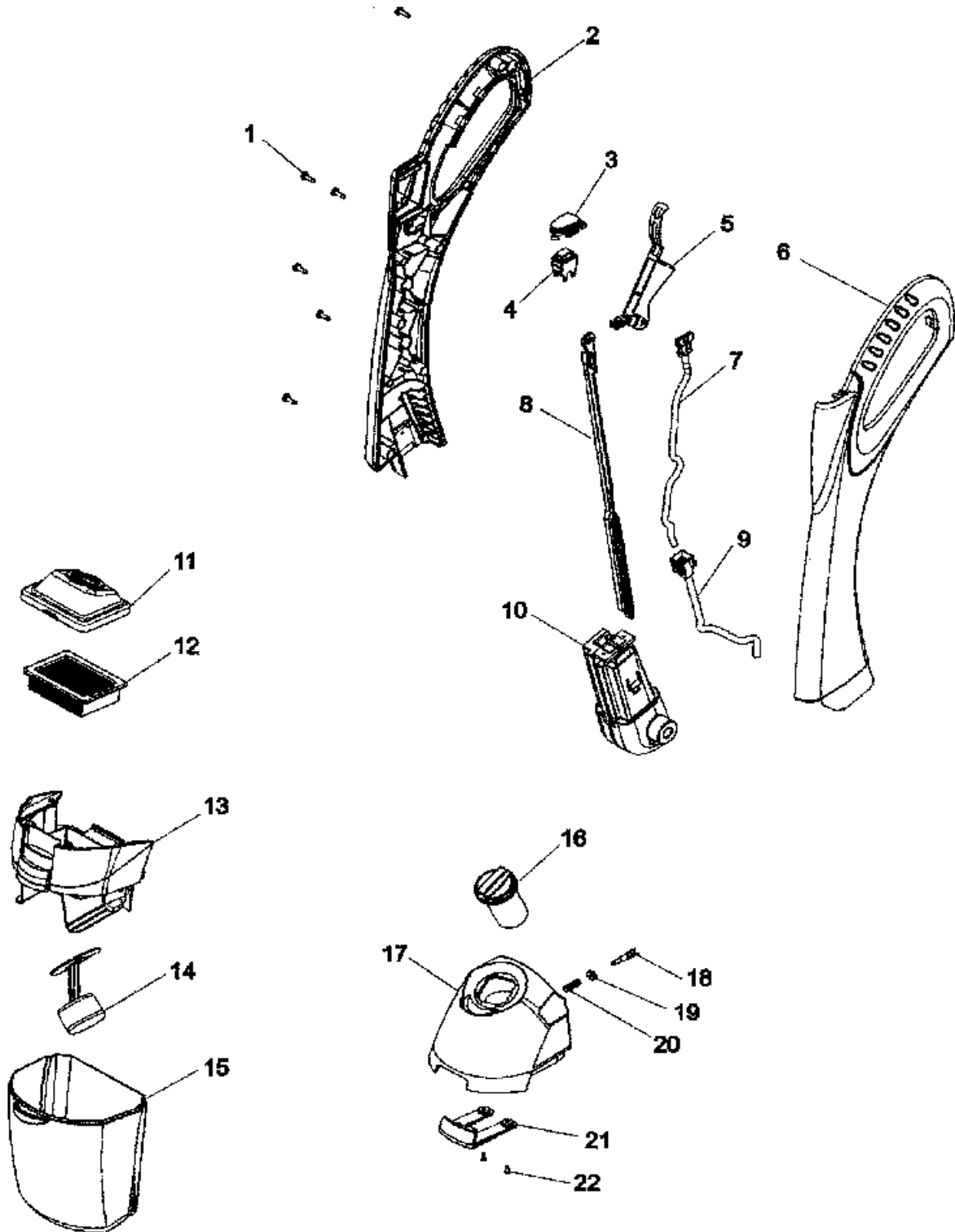


12

ASSEMBLY SCHEMATIC

MODEL NO.

H3050
H3060





12

PART LISTING / PRICE LIST

ITEM	PART NUMBER	MODELS TO FIT	PART DESCRIPTION	LIST COST
1	93001733	H3050, H3060	SCREW #8 x 12-1/2"	.57
2	59178703	H3050	UPPER HANDLE - RIGHT MYSTIC LIME	PENDING
	93001138	H3060	UPPER HANDLE - RIGHT ALASKAN GREEN	6.23
	93001139	H3060020	UPPER HANDLE - RIGHT CRYSTAL BLUE	6.23
3		H3050	SWITCH BOOT - MYSTIC LIME GREEN	N.A.
	93001111	H3060	SWITCH BOOT - ALASKAN GREEN	1.13
	93001112	H3060020	SWITCH BOOT - CRYSTAL BLUE	1.13
4	93001114	H3050, H3060	SWITCH	3.96
	93001968	H3050, H3060	GROMMET - SWITCH	.85
5	93001109	H3050, H3060	CONTROL LEVER	1.13
6	59178702	H3050	UPPER HANDLE - LEFT MYSTIC LIME GREEN	PENDING
	93001116	H3060	UPPER HANDLE - LEFT ALASKAN GREEN	6.23
	93001117	H3060020	UPPER HANDLE - LEFT CRYSTAL BLUE	6.23
7	93001115	H3050, H3060	WIRING HARNESS	5.09
8	93001110	H3050, H3060	CONTROL ROD UPPER	1.42
9	93001141	H3050, H3060	WIRING HARNESS	3.16
10	93001137	H3050, H3060	UPPER HANDLE CORE ASSEMBLY	5.09
11	93001179	H3050, H3060	FILTER LID	1.46
12	40112050	H3050, H3060	TANK FILTER (1 PER)	4.99 NON DISC
13	93002036	H3050	RECOVERY TANK LID ASSEMBLY - MYSTIC LIME	17.00
	93001180	H3060	RECOVERY TANK LID ASSEMBLY - ALASKAN GRN	17.00
	93001181	H3060020	RECOVERY TANK LID ASSEMBLY - CRYSTAL BL	17.00
14	93001183	H3050, H3060	FLOAT - HINGED SIDE	2.59
	59178801	H3050, H3060	FLOAT - HINGED FRONT	2.59
15	93002039	H3050	RECOVERY TANK - MYSTIC LIME GREEN	28.34
	93001195	H3060	RECOVERY TANK - ALASKAN GREEN	28.34
	93001196	H3060020	RECOVERY TANK - CRYSTAL BLUE	28.34
16	93002038	H3050	SOLUTION TANK CAP ASSEMBLY - MYSTIC LM	4.06
	93001142	H3060	SOLUTION TANK CAP ASSEMBLY - ALASKAN	4.06
	93001143	H3060020	SOLUTION TANK CAP ASSEMBLY - CRYSTAL	4.06
17	93001145	H3050, H3060	SOLUTION TANK ASSEMBLY	24.84
	93001146	H3060020	SOLUTION TANK ASSEMBLY - CRYSTAL BLUE	24.84
18	93001148	H3050, H3060	VALVE STEM	.57
19	93001149	H3050, H3060	VALVE SEAL	.57
20	93001150	H3050, H3060	SPRING	.57
21	93002040	H3050	LATCH - SOLUTION TANK	1.46
	93001151	H3060	LATCH - SOLUTION TANK	1.13
22	93001735	H3050, H3060	SCREW #6 x 24-3/8"	.57

MODEL No.

H3050
H3060

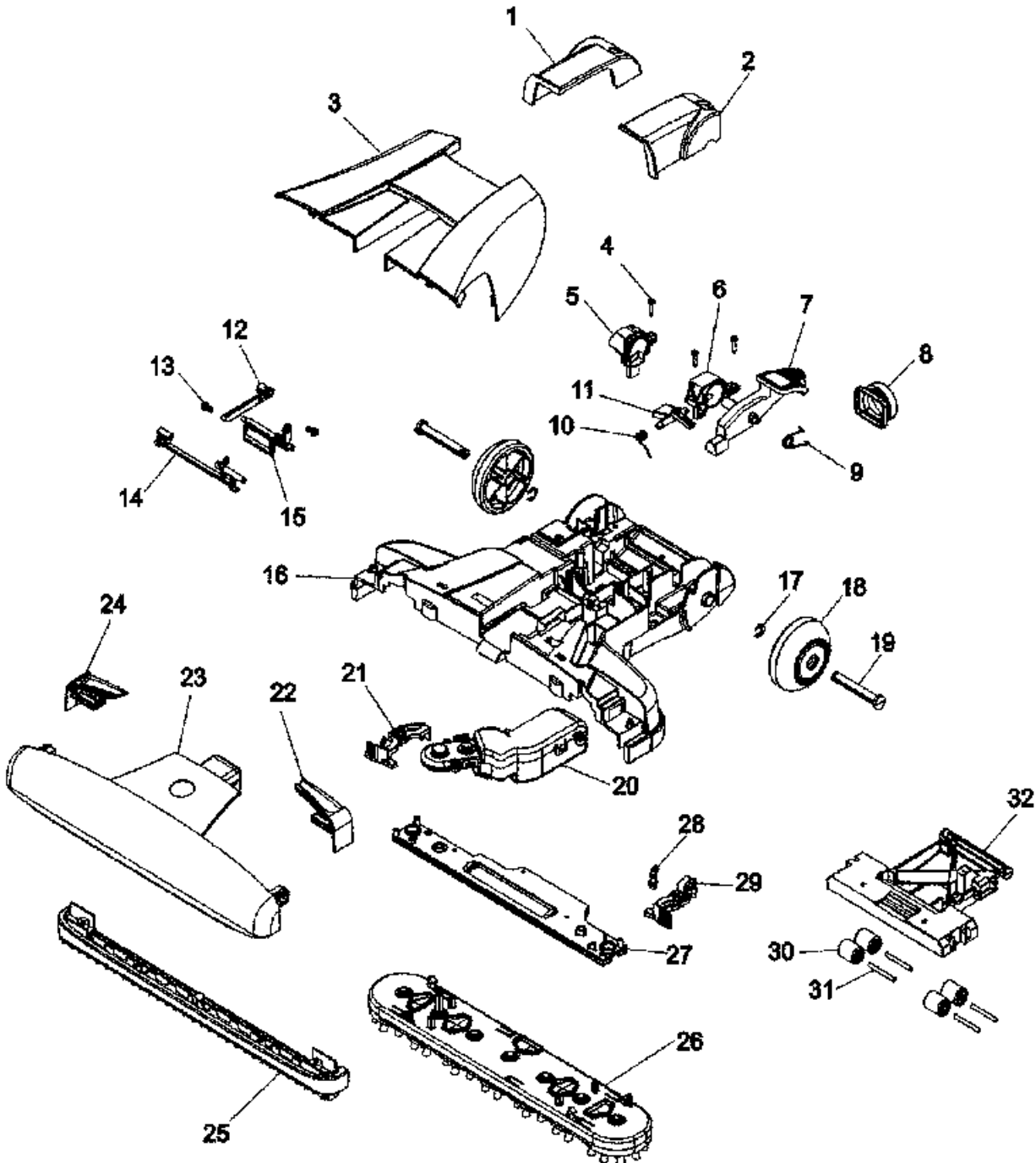


12

ASSEMBLY SCHEMATIC

MODEL NO.

H3050
H3060





12

PART LISTING / PRICE LIST

MODEL No.

H3050
H3060

ITEM	PART NUMBER	MODELS TO FIT	PART DESCRIPTION	LIST COST
1	59178718	H3050	HOOD REAR COVER - RIGHT MYSTIC LIME	PENDING
	93001040	H3060	HOOD REAR COVER - RIGHT ALASKAN GREEN	1.69
	93001041	H3060020	HOOD REAR COVER - RIGHT CRYSTAL BLUE	1.69
2	59178716	H3050	HOOD REAR COVER - LEFT MYSTIC LIME GREEN	PENDING
	93001037	H3060	HOOD REAR COVER - LEFT ALASKAN GREEN	1.69
	93001038	H3060020	HOOD REAR COVER - LEFT CRYSTAL BLUE	1.69
3	93001058	H3050	HOOD / NOZZLE COVER	4.53
	93001057	H3060	HOOD / NOZZLE COVER - WHITE	6.79
4	93001736	H3050, H3060	SCREW #8 x 12-3/4"	.57
5	93001056	H3050, H3060	TRUNNION COVER - RIGHT	.57
6	93001055	H3050, H3060	TRUNNION COVER - LEFT	.57
7	59178682	H3050	HANDLE RELEASE PEDAL - MYSTIC LIME	PENDING
	93001046	H3060	HANDLE RELEASE PEDAL - ALASKAN GREEN	2.03
8	59178685	H3050	GROMMET - WATER CHANNEL MYSTIC LIME	PENDING
	93001052	H3060	GROMMET - WATER CHANNEL ALASKAN GREEN	.74
9	93001049	H3050, H3060	SPRING - HANDLE RELEASE PEDAL	.57
10	93001051	H3050, H3060	SPRING - HANDLE RELEASE	.57
11	93001050	H3050, H3060	HANDLE RELEASE	.89
12	93001068	H3050, H3060	LIFTER LINK	.57
13	93001066	H3050, H3060	FASTENER	.57
14	93002049	H3050	CAM ARM - BRUSH BLOCK	1.12
	93001069	H3060	CAM ARM - BRUSH BLOCK	.89
15	93001067	H3050, H3060	CAM ARM - FRONT WHEEL CARRIAGE	.57
16	93002050	H3050	MAIN BODY / NOZZLE BASE - MYSTIC LIME	28.34
	93001043	H3060	MAIN BODY / NOZZLE BASE - ALASKAN GREEN	20.40
	93001044	H3060020	MAIN BODY / NOZZLE BASE - CRYSTAL BLUE	20.40
17	59177088	H3050, H3060	LOCK RING	.57
18	59178684	H3050	REAR WHEEL ASSEMBLY - MYSTIC LIME GREEN	PENDING
	93001060	H3060	REAR WHEEL ASSEMBLY - ALASKAN GREEN	2.82
	93001061	H3060020	REAR WHEEL ASSEMBLY - CRYSTAL BLUE	2.82
19	93001059	H3050, H3060	REAR WHEEL AXLE	1.46
20	93001079	H3050, H3060	BRUSH MOTOR ASSEMBLY	31.74
21	59178679	H3050	LATCH - BRUSH BLOCK RIGHT MYSTIC LIME GREEN	PENDING
	93001080	H3060	LATCH - BRUSH BLOCK RIGHT ALASKAN GREEN	.57
	59178518	H3060020	LATCH - BRUSH BLOCK RIGHT CRYSTAL BLUE	N.L.A.



12

PART LISTING / PRICE LIST

ITEM	PART NUMBER	MODELS TO FIT	PART DESCRIPTION	LIST COST
22	93002053	H3050	NOZZLE LATCH - LEFT MYSTIC LIME GREEN	1.13
	93001070	H3060	NOZZLE LATCH - LEFT ALASKAN GREEN	1.13
	93001071	H3060020	NOZZLE LATCH - LEFT CRYSTAL BLUE	1.13
23	93002054	H3050	NOZZLE - MYSTIC LIME GREEN	13.03
	93001076	H3060	NOZZLE - ALASKAN GREEN	10.20
	59178924	H3060020	NOZZLE - CRYSTAL BLUE	18.54
24	93002055	H3050	NOZZLE LATCH - RIGHT MYSTIC LIME GREEN	1.13
	93001073	H3060	NOZZLE LATCH - RIGHT ALASKAN GREEN	1.13
	93001074	H3060020	NOZZLE LATCH - RIGHT CRYSTAL BLUE	1.13
25	93002056	H3050	SQUEEGEE - MYSTIC LIME GREEN	5.66
	93001094	H3060	SQUEEGEE - ALASKAN GREEN	9.06
	93001095	H3060020	SQUEEGEE - CRYSTAL BLUE	9.06
26	93001091	H3050	BRUSH BLOCK ASSEMBLY - 6 BRUSH	28.34
	93001090	H3060	BRUSH BLOCK ASSEMBLY - 7 BRUSH	28.34
	93001093	H3050	GROUT BRUSH BLOCK ASSEMBLY	22.67
	93001092	H3060	GROUT BRUSH BLOCK ASSEMBLY	25.50
27	93002057	H3050	DISTRIBUTOR ASSEMBLY - MYSTIC LIME	9.19
	93001083	H3060	DISTRIBUTOR ASSEMBLY - ALASKAN GREEN	9.19
	93001084	H3060020	DISTRIBUTOR ASSEMBLY - CRYSTAL BLUE	9.19
28	93001086	H3050, H3060	ELBOW CONNECTION	N.L.A.
29	59178678	H3050	LATCH - BRUSH BLOCK LEFT MYSTIC LIME	PENDING
	93001087	H3060	LATCH - BRUSH BLOCK LEFT ALASKAN GREEN	.57
	93001088	H3060020	LATCH - BRUSH BLOCK LEFT CRYSTAL BLUE	.57
30	93001064	H3050, H3060	FRONT WHEEL	1.13
31	93001065	H3050, H3060	FRONT WHEEL SHAFT	.57
32	93001063	H3050, H3060	FRONT WHEEL ASSEMBLY	6.79
	93001976	H3050, H3060	SPRING - SOLUTION TANK LATCH	.57

MODEL No.

H3050
H3060

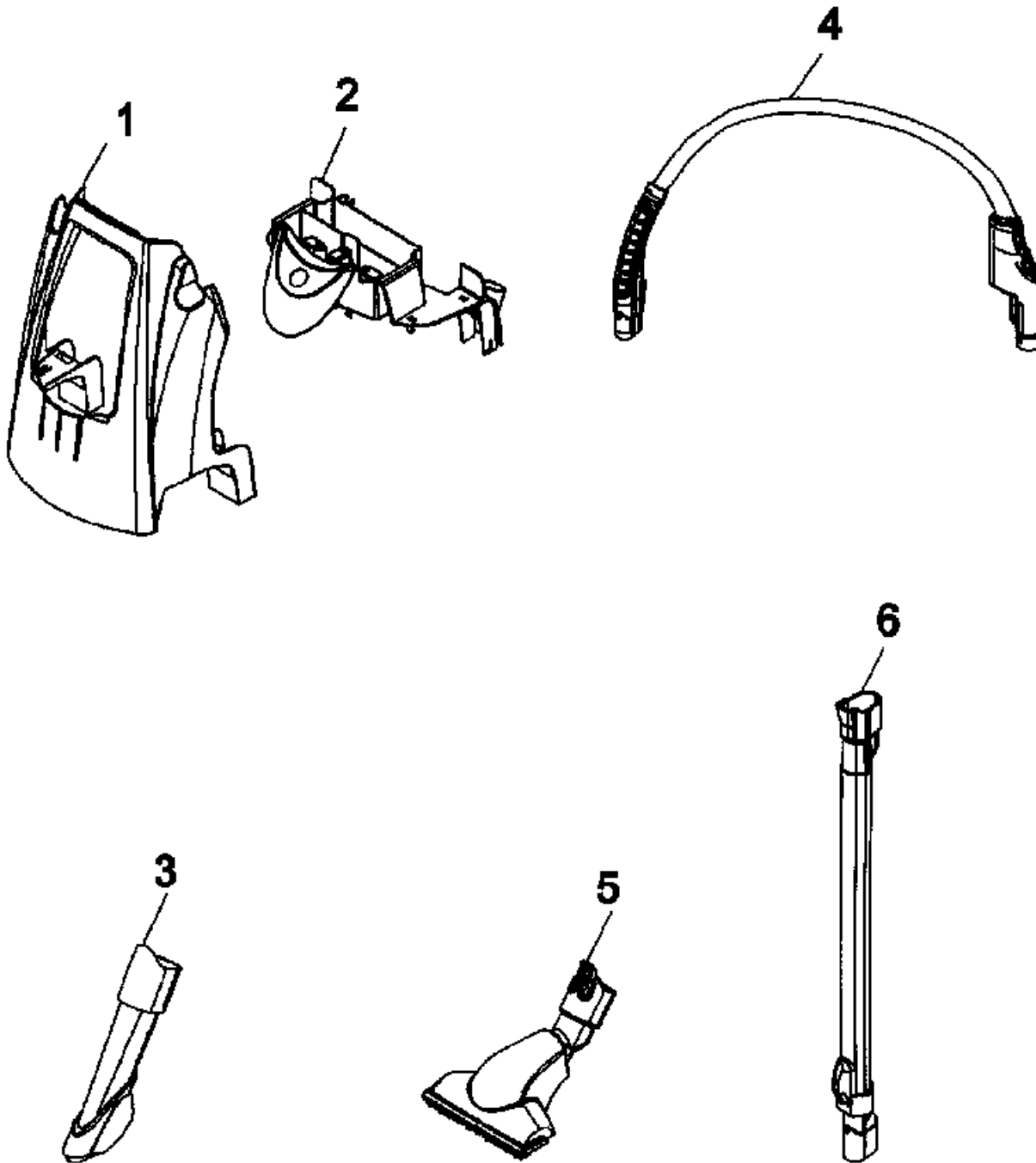


12

ASSEMBLY SCHEMATIC

MODEL NO.

H3050
H3060





12

PART LISTING / PRICE LIST

ITEM	PART NUMBER	MODELS TO FIT	PART DESCRIPTION	LIST COST
1	93002041	H3050	TOOL / HOSE CADDY - MYSTIC LIME GREEN	19.83
	93001097	H3060	TOOL / HOSE CADDY - ALASKAN GREEN	17.00
	93001098	H3060020	TOOL / HOSE CADDY - CRYSTAL BLUE	17.00
2		H3050	TOOL / HOSE CADDY INSERT	N.A.
	93001099	H3060	TOOL / HOSE CADDY INSERT	11.33
3	93002355	H3050	GROUT TOOL ASSEMBLY WITH BRUSH - MYSTIC LIME GREEN	5.66
	93001103	H3060	GROUT TOOL ASSEMBLY WITH BRUSH - ALASKAN GREEN	8.49
	93001104	H3060020	GROUT TOOL ASSEMBLY WITH BRUSH - CRYSTAL BLUE	8.49
4	93002043	H3050	HOSE / GRIP ASSEMBLY - MYSTIC LIME	34.01
	93001101	H3060	HOSE / GRIP ASSEMBLY - ALASKAN GREEN	28.34
	93001102	H3060020	HOSE / GRIP ASSEMBLY - CRYSTAL BLUE	28.34
5	93002044	H3050	SQUEEGEE TOOL ASSEMBLY - MYSTIC LIME GREEN	N.L.A.
	93001105	H3060	SQUEEGEE TOOL ASSEMBLY - ALASKAN GREEN	7.93
	93001106	H3060020	SQUEEGEE TOOL ASSEMBLY - CRYSTAL BLUE	7.93
6		H3050	EXTENSION TUBE ASSEMBLY	N.A.
	93001107	H3060	EXTENSION TUBE ASSEMBLY - ALASKAN GREEN	11.33
	93001108	H3060020	EXTENSION TUBE ASSEMBLY - CRYSTAL BLUE	11.33

MODEL No.

H3050
H3060



Floor MATE™ FloorMate



12

NOTES

MODEL NO.

H2800
H2850
H3000
H3030
H3032
H3040
H3044
H3045
H3050
H3060
FH40000



IMPULSE™

Cordless Power Mop

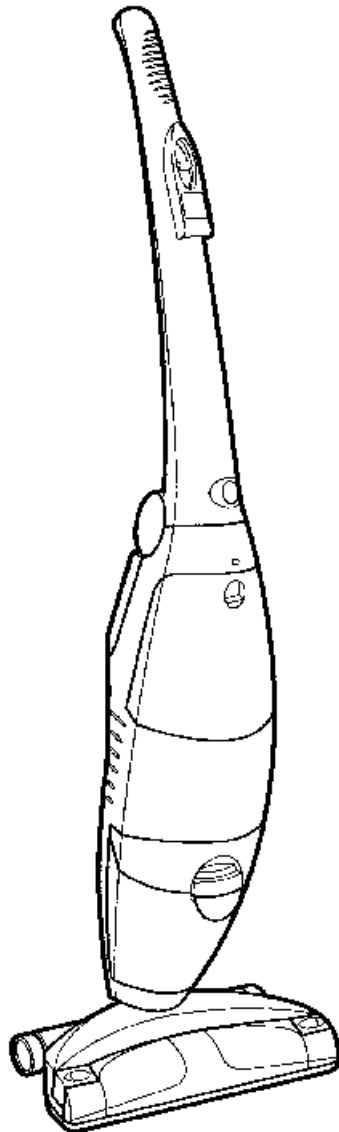
13

SECTION CONTENTS

<u>MODEL No.</u>	<u>PAGE No.</u>
H2510	13-2 THRU 13-4

MODEL No.

H2510



- * PRICING, SPECIFICATION'S, AND PRODUCT AVAILABILITY ARE SUBJECT TO CHANGE WITHOUT NOTICE. PRICING IS FOB FACTORY, CANTON, OH
- * ALL INFORMATION CONTAINED WITHIN THIS SERVICE MANUAL IS PROPRIETARY INFORMATION OF TTI FLOOR CARE NORTH AMERICA.
- * **WARNING:** TO REDUCE THE RISK OF ELECTRICAL SHOCK OR INJURY, ALWAYS DISCONNECT THE APPLIANCE CORD FROM THE ELECTRICAL OUTLET OR REMOVE BATTERY PRIOR TO SERVICING THE UNIT.



IMPULSE™

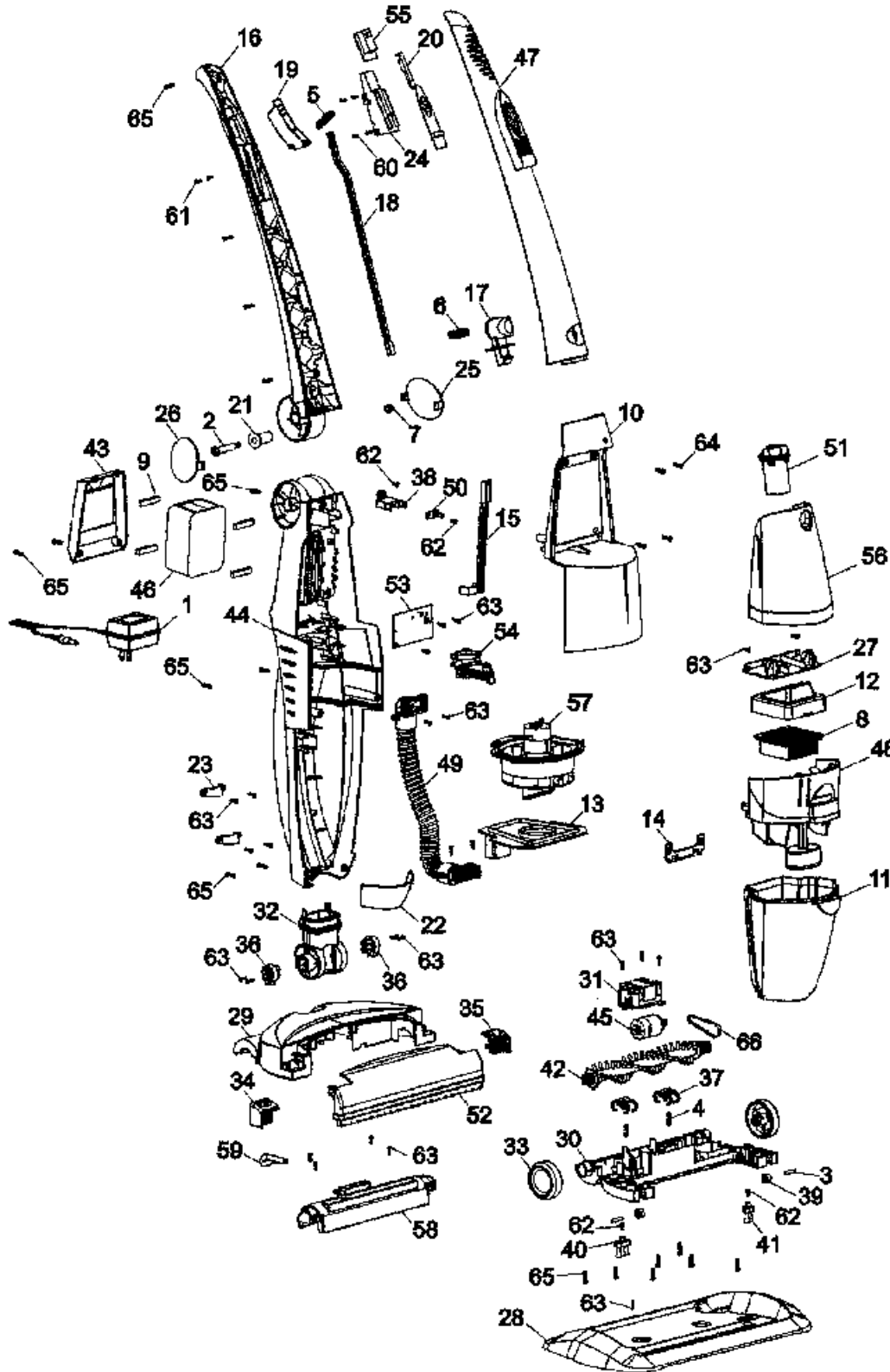
Cordless Power Mop

13

ASSEMBLY SCHEMATIC

MODEL NO.

H2510





IMPULSE™

Cordless Power Mop

13

PART LISTING / PRICE LIST

MODEL No.

H2510

ITEM	PART NUMBER	MODELS To FIT	PART DESCRIPTION	LIST COST
1	93002356	H2510	BATTERY CHARGER	7.65
2	93002363	H2510	PIN - FOLDING HANLE	N.L.A.
3	93002364	H2510	AXLE - FRONT WHEEL	N.L.A.
4	93002365	H2510	SPRING - HOSE CONNECTOR	N.L.A.
5	93002366	H2510	SPRING - SOLUTION RELEASE BUTTON	.57
6	93002367	H2510	HANDLE RELEASE SPRING	N.L.A.
7	93002368	H2510	NUT - FOLING HANDLE	N.L.A.
8	93002369	H2510	DIRT CUP FILTER	15.74
9		H2510	SPACER	N.A.
10	93002370	H2510	FRONT HOUSING	N.L.A.
11	93002371	H2510	RECOVERY TANK	N.L.A.
12	93002372	H2510	FILTER RETAINER	N.L.A.
13	93002373	H2510	MOTOR PLATE	N.L.A.
14	93002374	H2510	SOLUTION TANK LOCK	N.L.A.
15	93002375	H2510	LOWER MAIN VALVE ROD	N.L.A.
16	93002376	H2510	HANDLE - BACK	N.L.A.
17	93002377	H2510	HANDLE RELEASE BUTTON	.57
18	93002378	H2510	UPPER VALVE ROD	18.13
19	93002379	H2510	SOLUTION LEVER	N.L.A.
20	93002380	H2510	SWITCH BUTTON	N.L.A.
21	93002381	H2510	BUSHING HANDLE	.57
22	93002382	H2510	FRONT HOUSING LOWER	N.L.A.
23	93002383	H2510	HOSE CLAMP	.57
24	93002384	H2510	SWITCH BRACKET	N.L.A.
25	93002385	H2510	HANDLE PIVOT COVER - LEFT	N.L.A.
26	93002386	H2510	HANDLE PIVOT COVER - RIGHT	N.L.A.
27	93002387	H2510	SOLUTION TANK LOWER RETAINER	4.83
28	93002388	H2510	STORAGE TRAY	4.82
29	93002389	H2510	HOOD / NOZZLE COVER	N.L.A.
30	93002390	H2510	MAIN BODY / NOZZLE BASE	4.07
31	93002391	H2510	AGITATIR MOTOR COVER	N.L.A.
32	93002392	H2510	HOSE CONNECTOR	N.L.A.
33	93002393	H2510	REAR WHEEL ASSEMBLY	N.L.A.
34	93002394	H2510	NOZZLE RELEASE - RIGHT	N.L.A.
35	93002395	H2510	NOZZLE RELEASE - LEFT	N.L.A.
36	93002396	H2510	HOSE CONNECTOR SIDE	N.L.A.



IMPULSE™

Cordless Power Mop

13

PART LISTING / PRICE LIST

MODEL No.

H2510

ITEM	PART NUMBER	MODELS To FIT	PART DESCRIPTION	LIST COST
37	93002397	H2510	HOSE CONNECTOR HOLDER	N.L.A.
38	93002398	H2510	LED PCB HOLDER	.57
39	93002399	H2510	FRONT WHEEL ASSEMBLY	N.L.A.
40	93002400	H2510	BRUSH - RIGHT	.57
41	93002401	H2510	BRUSH - LEFT	N.L.A.
42	93002413	H2510	AGITATOR ASSEMBLY	N.L.A.
43	93002419	H2510	BATTERY COVER w/FOAM	N.L.A.
44		H2510	BACK HOUSING w/FOAM	N.A.
45	93002417	H2510	AGITATOR MOTOR ASSEMBLY - w/o LEADS	N.L.A.
46	93002357	H2510	BATTERY PACK	20.41
47	93002423	H2510	FRONT HANDLE ASSEMBLY	.57
48	93002414	H2510	RECOVERY TANK LID ASSEMBY	N.L.A.
49		H2510	HOSE ASSEMBLY	N.A.
50	93002426	H2510	PCB LED WITH LEADS	N.L.A.
51	93002422	H2510	SOLUTION TANK CUP ASSEMBLY	4.06
52	93002421	H2510	NOZZLE FRONT ASSEMBLY	9.18
53	93002427	H2510	PCB - MAIN	N.L.A.
54	93002416	H2510	MAIN VALVE ASSEMBLY	N.L.A.
55	93002425	H2510	PCB SWITCH - WITH LEADS	N.L.A.
56	93002415	H2510	SOLUTION TANK ASSEMBLY	N.L.A.
57	93002412	H2510	MOTOR ASSEMBLY - w/o LEADS	N.L.A.
58	93002418	H2510	AGITATOR HOUSING COVER ASSEMBLY	N.L.A.
59	93002402	H2510	SOLUTION TUBE	N.L.A.
60	93002404	H2510	SWITCH BRACKET SCREW	N.L.A.
61	93002405	H2510	HANDLE SCREW	N.L.A.
62	93002406	H2510	LED PCB HOLDER SCREW	N.L.A.
63	93002407	H2510	BODY SCREW	N.L.A.
64	93002408	H2510	FRONT HOUSING SCREW	N.L.A.
65	93002409	H2510	NOZZLE BASE SCREW	N.L.A.
66	93002410	H2510	AGITATOR BELT	N.L.A.



SteamVac™ spot duo™

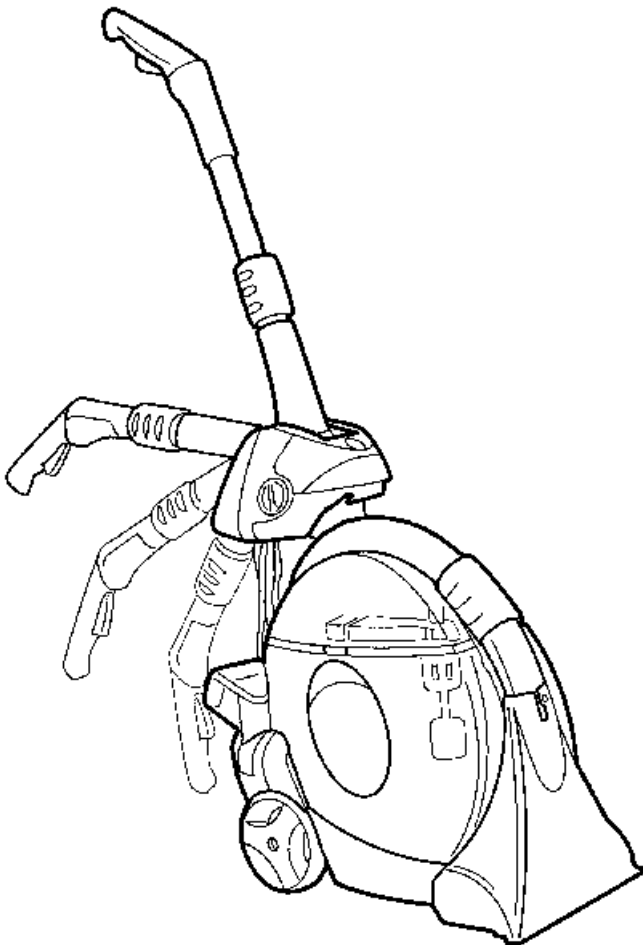
14

SECTION CONTENTS

<u>MODEL No.</u>	<u>PAGE No.</u>
F5505	14-2 THRU 14-7
F5520	14-2 THRU 14-7

MODEL No.

F5505
F5520



- * PRICING, SPECIFICATION'S, AND PRODUCT AVAILABILITY ARE SUBJECT TO CHANGE WITHOUT NOTICE. PRICING IS FOB FACTORY, CANTON, OH
- * ALL INFORMATION CONTAINED WITHIN THIS SERVICE MANUAL IS PROPRIETARY INFORMATION OF TTI FLOOR CARE NORTH AMERICA.
- * **WARNING:** TO REDUCE THE RISK OF ELECTRICAL SHOCK OR INJURY, ALWAYS DISCONNECT THE APPLIANCE CORD FROM THE ELECTRICAL OUTLET OR REMOVE BATTERY PRIOR TO SERVICING THE UNIT.



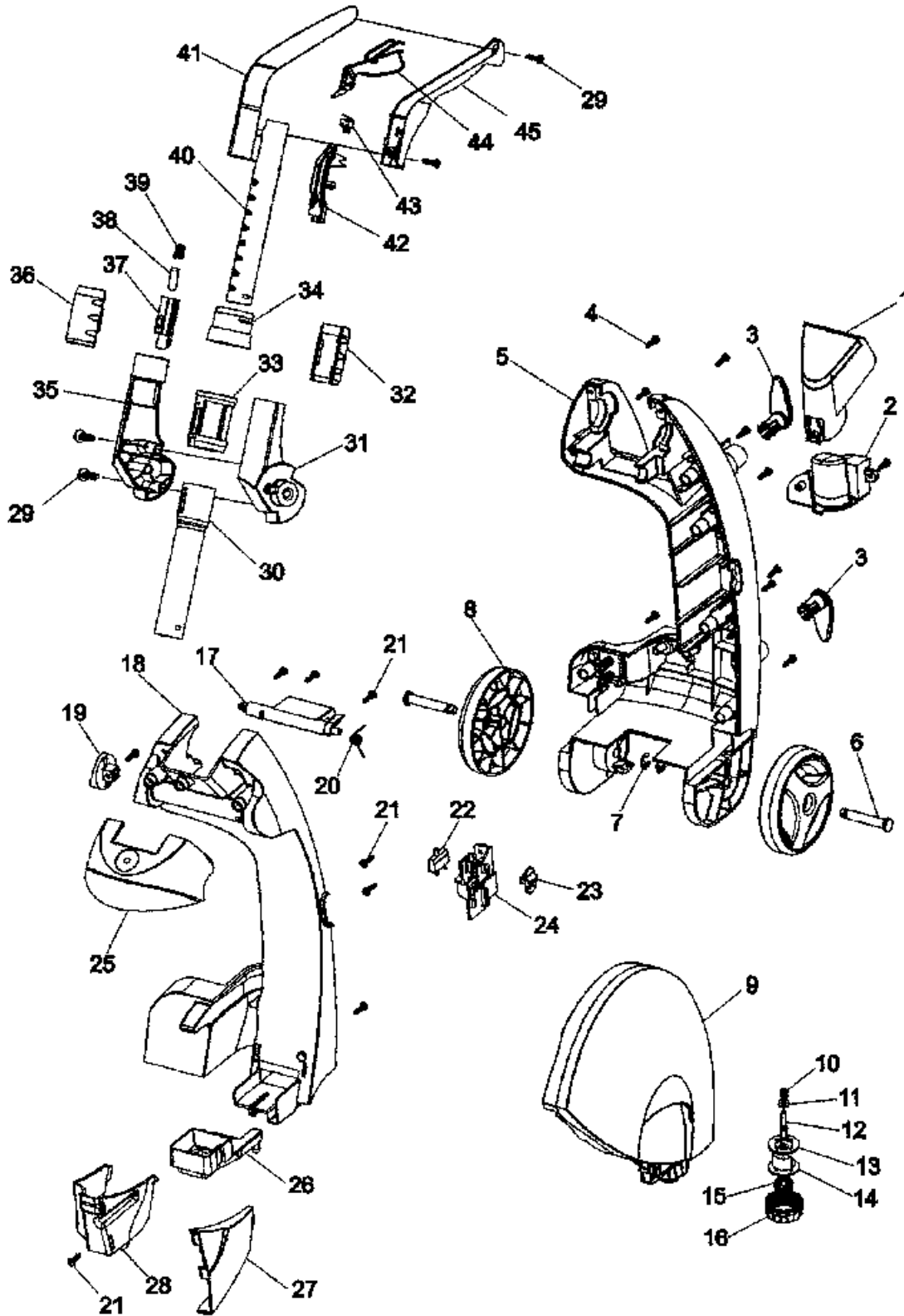
SteamVac™ spot duo™

14

ASSEMBLY SCHEMATIC

MODEL NO.

F5505
F5520





SteamVac™ spot duo™

14

PART LISTING / PRICE LIST

MODEL No.

F5505
F5520

ITEM	PART NUMBER	MODELS TO FIT	PART DESCRIPTION	LIST COST
1	93001408	F5505, F5520	UPHOLSTERY NOZZLE ASSEMBLY	3.39
2		F5505, F5520	TOOL HOLDER	N.A.
3	93001508	F5505, F5520	CORD HOOK	1.12
4	93001425	F5505, F5520	SCREW	.57
5	93001370	F5505, F5520	LOWER HANDLE - REAR	8.49
6	93001385	F5505, F5520	AXLE	1.13
7	93001386	F5505, F5520	E-CLIP	.57
8	93001384	F5505, F5520	WHEEL	2.26
9	93001800	F5505	SOLUTION TANK ASSEMBLY - RED	13.74
	93001374	F5520	SOLUTION TANK ASSEMBLY - BLUE	13.74
10	93001377	F5505, F5520	SPRING - SOLUTION TANK	.57
11	38784061	F5505, F5520	VALVE SEAL - SOLUTION TANK	1.12
12	93001378	F5505, F5520	POPPET - SOLUTION TANK	.57
13	93001417	F5505, F5520	VALVE BASE SEAL	.57
14	93001412	F5505, F5520	VALVE BASE	.57
15	93001379	F5505, F5520	O-RING CAP SEAL	.57
16	93001375	F5505, F5520	CAP - SOLUTION TANK	.57
17	93001383	F5505, F5520	RELEASE LEVER LOCK	.57
18	93001369	F5505, F5520	LOWER HANDLE - FRONT	N.L.A.
19		F5505, F5520	RELEASE LEVER - FOLDING HANDLE	N.A.
20		F5505, F5520	SPRING	N.A.
21	93001425	F5505, F5520	SCREW	.57
22	93001382	F5505, F5520	AGITATOR MOTOR CIRCUIT BREAKER	5.09
23	93001381	F5505, F5520	SWITCH BUTTON	.57
24	93001380	F5505, F5520	ON-OFF SWITCH ASSEMBLY	1.69
25		F5505, F5520	CARRY HANDLE	N.L.A.
26	93001434	F5505, F5520	RESERVOIR ASSEMBLY	1.13
27	93001372	F5505, F5520	SOLUTION TANK SUPPORT - FRONT	1.13
28	93001373	F5505, F5520	SOLUTION TANK SUPPORT - REAR	1.13
29	93001425	F5505, F5520	SCREW	.57
30		F5505, F5520	LOWER TUBE - TELESCOPING HANDLE	N.A.
31	93001388	F5505, F5520	MOUNT - TELESCOPING HANDLE - LEFT	2.26
32	93001399	F5505, F5520	CLUTCH HOUSING - REAR	1.13
33		F5505, F5520	BUSHING - LOWER TUBE	N.A.
34	93001392	F5505, F5520	BUSHING - UPPER TUBE	.57
35	93001389	F5505, F5520	MOUNT - TELESCOPING HANDLE - RIGHT	2.26



SteamVac™ spot duo™

14

PART LISTING / PRICE LIST

ITEM	PART NUMBER	MODELS TO FIT	PART DESCRIPTION	LIST COST
36	93001398	F5505, F5520	CLUTCH HOUSING - FRONT	1.13
37	93001394	F5505, F5520	TUBE LOCK	.57
38	93001509	F5505, F5520	CLUTCH SLIDE	1.12
39	93001395	F5505, F5520	SPRING	.57
40	93001391	F5505, F5520	UPPER TUBE - TELESCOPING HANDLE	2.59
41	93001402	F5505, F5520	HANDLE GRIP - LEFT	1.69
42	93001401	F5505, F5520	SWITCH AND TRIGGER SUPPORT	.57
43	93001405	F5505, F5520	MICROSWITCH - ACTIVATE VALVE	4.29
44	93001404	F5505, F5520	TRIGGER	.57
45	93001403	F5505, F5520	HANDLE GRIP - RIGHT	1.69

MODEL No.

F5505
F5520



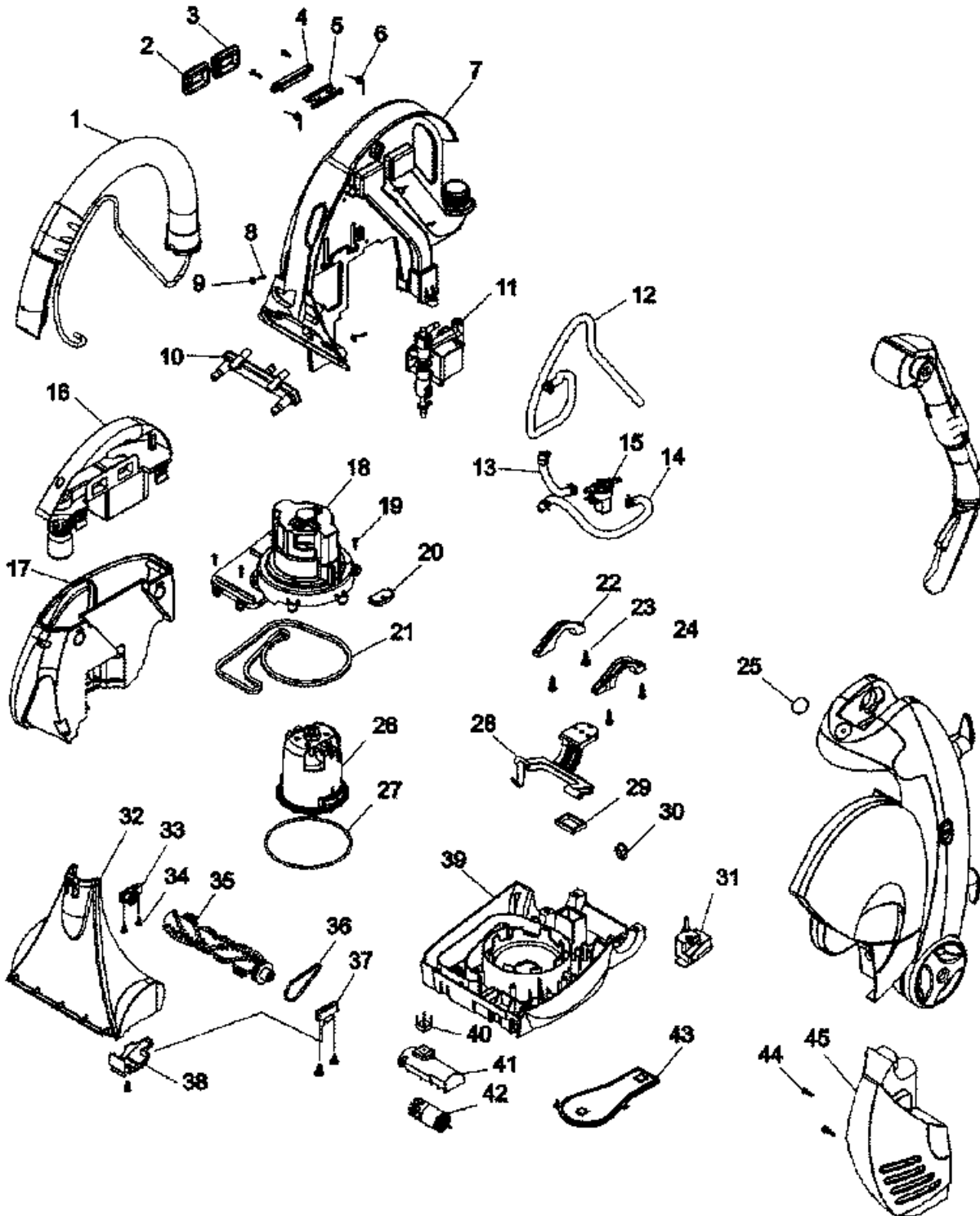
SteamVac™ spot duo™

14

ASSEMBLY SCHEMATIC

MODEL NO.

F5505
F5520





SteamVac™ spot duo™

14

PART LISTING / PRICE LIST

MODEL No.

F5505
F5520

ITEM	PART NUMBER	MODELS TO FIT	PART DESCRIPTION	LIST COST
1	93001349	F5505, F5520	HOSE ASSEMBLY	19.83
2	93001357	F5505, F5520	OUTLET SEAL W/SCREEN - DIRTY WATER TANK	2.26
3	93001356	F5505, F5520	INLET SEAL - DIRTY WATER TANK	.57
4	93001420	F5505, F5520	LATCH RETAINER - DIRTY WATER TANK	.57
		F5505, F5520	LATCH RETAINER SCREW	N.A.
5	93001418	F5505, F5520	LATCH - DIRTY WATER TANK	.57
6	93001419	F5505, F5520	SPRING	.57
7	93001433	F5505, F5520	SPINE ASSEMBLY	7.36
8		F5505, F5520	SCREW	N.A.
9	93001430	F5505, F5520	WASHER	.57
10		F5505, F5520	FLOOR NOZZLE SPRAY ASSEMBLY	N.A.
11	93001355	F5505, F5520	SOLENOID PUMP	36.84
12	93001502	F5505, F5520	SOLUTION TUBING	2.82
	93001506	F5505, F5520	TUBING CLAMP	1.69
13	93001503	F5505, F5520	SOLUTION TUBING	2.82
	93001506	F5505, F5520	TUBING CLAMP	1.69
	93001505	F5505, F5520	TUBING CLAMP	1.69
14	93001504	F5505, F5520	SOLUTION TUBING	2.82
	93001506	F5505, F5520	TUBING CLAMP	1.69
15	93001363	F5505, F5520	SOLENOID PRESSURE VALVE - FLUID	7.93
16	93001802	F5505	DIRTY WATER TANK LID ASSEMBLY - RED	12.46
	93001431	F5520	DIRTY WATER TANK LID ASSEMBLY - BLUE	12.46
	93001407	F5505, F5520	DIRTY WATER TANK BUCKLE	.57
17	93001801	F5505	RECOVERY TANK ASSEMBLY - RED	13.60
	93001406	F5520	RECOVERY TANK ASSEMBLY - BLUE	13.60
18		F5505, F5520	MOTOR COVER	N.A.
19		F5505, F5520	SCREW	N.A.
20		F5505, F5520	SLIDE SEAL	N.A.
21	93001368	F5505, F5520	MOTOR COVER SEAL	2.26
22	93001360	F5505, F5520	TRUNNION COVER - RIGHT	.57
23	93001425	F5505, F5520	SCREW	.57
24	93001361	F5505, F5520	TRUNNION COVER - LEFT	.57
25	93001429	F5505, F5520	.	.57
26	93001365	F5505, F5520	MOTOR FAN ASSEMBLY	50.45
27	93001507	F5505, F5520	O-RING - MOTOR SEAL	1.69
28	93001362	F5505, F5520	HANDLE RELEASE PEDAL	1.13



SteamVac™ spot duo™

14

PART LISTING / PRICE LIST

ITEM	PART NUMBER	MODELS TO FIT	PART DESCRIPTION	LIST COST
29	93001358	F5505, F5520	DIRTY WATER TANK DUCT MAIN BODY - BLUE	79.37
30	93001428	F5505, F5520	CORD RETAINER	.57
31	93001414	F5505, F5520	HANDLE SWITCH ASSEMBLY	3.16
32	93001432	F5505, F5520	FLOOR NOZZLE ASSEMBLY - BLUE	8.49
33	93001346	F5505, F5520	SIDE SUPPORT ASSEMBY - AGITATOR	.57
34		F5505, F5520	SCREW - AGITATOR SUPPORT ASSEMBLY	N.A.
35	93001344	F5505, F5520	AGITATOR ASSEMBLY	6.56
36	93001347	F5505, F5520	AGITATOR TIMING BELT	1.05
37	93001345	F5505, F5520	BUSHING SUPPORT ASSEMBLY - AGITATOR	1.13
38	93001348	F5505, F5520	AGITATOR BELT COVER	.53
39	93001342	F5505, F5520	MAIN BODY AND DUCT COVER ASSEMBLY	7.93
40	93001367	F5505, F5520	RECTIFIER	2.59
41		F5505, F5520	AGITATOR MOTOR COVER	N.A.
		F5505, F5520	SCREW - AGITATOR MOTOR COVER	N.A.
42	93001364	F5505, F5520	AGITATOR MOTOR ASSEMBLY	6.79
43		F5505, F5520	AIR DUCT COVER	N.A.
44	93001425	F5505, F5520	SCREW	.57
45		F5505, F5520	SIDE COVER	N.A.
				N.A.
	93001409	F5505, F5520	SOLUTION TUBING ASSEMBLY	6.79
	93001436	F5505, F5520	POWER HAND TOOL	19.04
	AH30110	F5505, F5520	DEEP CLEANING DETERGENT - 48 OZ	5.50 NON DISC
	40321050	F5505, F5520	PET FORMULA - 48 OZ	7.50
	40325032	F5505, F5520	PET STAIN/ODOR REMOVER - 32 OZ	4.94 NON DISC

MODEL NO.

F5505
F5520



SteamVac™
spot duo™

14

NOTES

MODEL NO.

F5505

F5520



SteamVac™



SteamVac™

Carpet Cleaner

agility™

Quick & Light™

SteamVac™

STEAM VAC™
DUAL V™

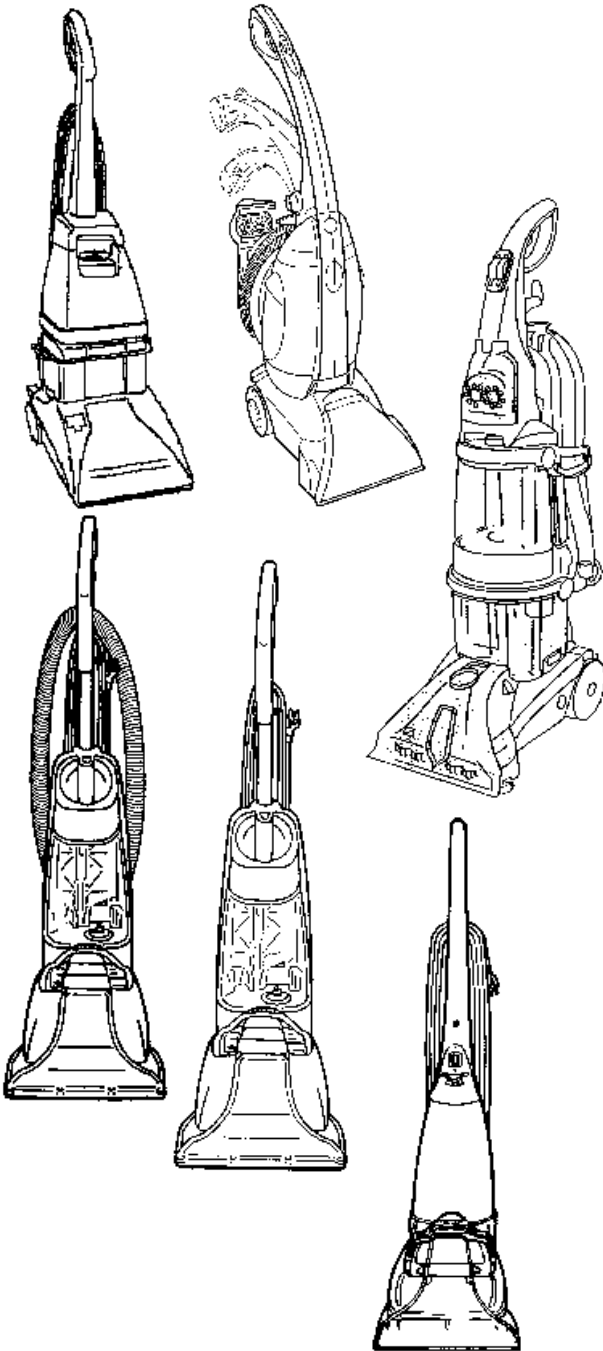
STEAM VAC™
ALL TERRAIN

with
CLEAN SURGE™

15

SECTION CONTENTS

MODEL NO.



<u>MODEL NO.</u>	<u>PAGE NO.</u>
F5810	15-2 THRU 15-4
FH50020	15-2 THRU 15-4
FH50015	15-5 THRU 15-7
F5914-900	15-8 THRU 15-12
F5915-900	15-8 THRU 15-12
F5917-900	15-8 THRU 15-12
F5918-900	15-8 THRU 15-12
FH50045	15-8 THRU 15-12
F6207-900	15-13 THRU 15-18
F6212-900	15-13 THRU 15-18
F6215-900	15-13 THRU 15-18
F7222-900	15-19 THRU 15-31
F7227-900	15-19 THRU 15-31
F7411-900	15-19 THRU 15-31
F7412-900	15-19 THRU 15-31
F7428-900	15-19 THRU 15-31
F7429-900	15-19 THRU 15-31
F7452-900	15-19 THRU 15-31
FH50005	15-19 THRU 15-31
FH50010	15-19 THRU 15-31
FH50015	15-19 THRU 15-31
FH50020	15-32 THRU 15-34
FH50030	15-32 THRU 15-34
FH50035	15-35 THRU 15-37
FH50005	15-38 THRU 15-40

F5810
F5914-900
F5915-900
F5917-900
F5918-900
F6207-900
F6212-900
F6215-900
F7222-900
F7227-900
F7411-900
F7412-900
F7428-900
F7429-900
F7452-900
FH50005
FH50010
FH50015
FH50020
FH50030
FH50035
FH50040
FH50045

* PRICING, SPECIFICATION'S, AND PRODUCT AVAILABILITY ARE SUBJECT TO CHANGE WITHOUT NOTICE. PRICING IS FOB FACTORY, CANTON, OH

* ALL INFORMATION CONTAINED WITHIN THIS SERVICE MANUAL IS PROPRIETARY INFORMATION OF TTI FLOOR CARE NORTH AMERICA.

* **WARNING:** TO REDUCE THE RISK OF ELECTRICAL SHOCK OR INJURY, ALWAYS DISCONNECT THE APPLIANCE CORD FROM THE ELECTRICAL OUTLET OR REMOVE BATTERY PRIOR TO SERVICING THE UNIT.



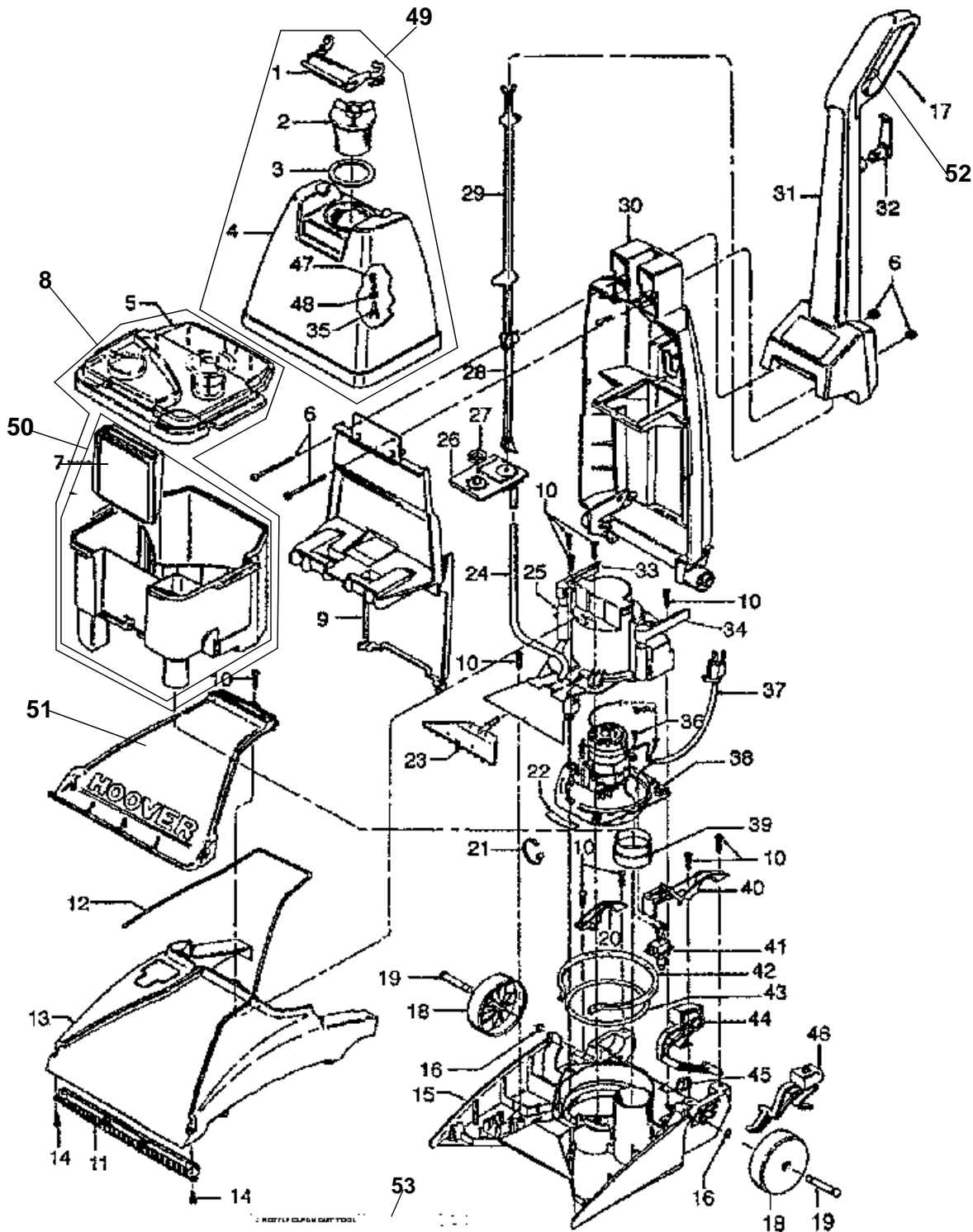
SteamVac™

15

ASSEMBLY SCHEMATIC

MODEL NO.

F5810
FH50020





15

PART LISTING / PRICE LIST

MODEL NO.

F5810
FH50020

ITEM	PART NUMBER	MODELS TO FIT	PART DESCRIPTION	LIST COST
1	39457053	F5810, FH50020	SOLUTION TANK HANDLE - MAGNESIUM GRAY	2.17
2	90001288	F5810, FH50020	CAP ASSEMBLY - BLACK	1.69
3	38784062	F5810, FH50020	GASKET	1.46
4	42272134	F5810, FH50020	SOLUTION TANK ASSEMBLY COMPLETE	34.01
5	42272111	F5810, FH50020	RECOVERY TANK LID WITH FILTER	34.01
6	40201145	F5810, FH50020	HANDLE HARDWARE ASSEMBLY	2.26
7	90001217	F5810	DUCT ORDER 38777106	N.L.A.
8	38777081	F5810, FH50020	RECOVERY TANK COMPLETE WITH LID ASSEMBLY - REVISED DUCT	49.67
9	37276029	F5810, FH50020	HANDLE COVER - MAGNESIUM GRAY	9.74
10	21447020	F5810, FH50020	SCREW	.57
11	48443005	F5810, FH50020	BRUSH BACK ASSEMBLY	6.47
12	38781037	F5810, FH50020	NOZZLE SEAL	2.59
13	37271124	F5810	NOZZLE HOOD - BLUE	30.31
	37271169	FH50020	NOZZLE HOOD - BLACK	N.A.
14	21447228	F5810, FH50020	SCREW - SELF TAPPING	.57
15	90001221	F5810, FH50020	NOZZLE BASE	21.54
16	160017--	F5810, FH50020	LOCK RING	.58
17	39458009	F5810, FH50020	UPPER HANDLE LEVER GUARD - MAGSM GRAY	2.10
18	38522091	F5810, FH50020	REAR WHEEL - MAGNESIUM GRAY	1.47
19	32434007	F5810, FH50020	REAR AXLE	1.12
20	36131124	F5810, FH50020	TRUNNION COVER - RIGHT MAGNESIUM GRAY	2.26
21	27479307	F5810, FH50020	CABLE TIE	.45
22	34122021	F5810, FH50020	MOTOR HOUSING SEAL	.67
23	43411006	F5810, FH50020	DISTRIBUTOR ASSEMBLY	6.79
24	40309002	F5810, FH50020	TUBING	3.73
25	40309005	F5810	MOTOR / DISTRIBUTION COVER KIT	15.87
	37196139	FH50020	MOTOR / DISTRIBUTION COVER KIT	12.46
26	90001225	F5810, FH50020	RESERVOIR ASSEMBLY	6.79
27	38784060	F5810, FH50020	SOLUTION TANK SEAL	1.46
28	38458033	F5810, FH50020	CONTROL ROD - LOWER	1.46
29	38458031	F5810, FH50020	CONTROL ROD - UPPER	1.81
30	48669030	F5810, FH50020	LOWER HANDLE ASSEMBLY COMPLETE	43.40
31	92001072	F5810, FH50020	UPPER HANDLE ASSEMBLY	19.83
32	39442048	F5810, FH50020	CORD WRAP - MAGNESIUM GRAY	1.14



15

PART LISTING / PRICE LIST

MODEL No.

F5810
FH50020

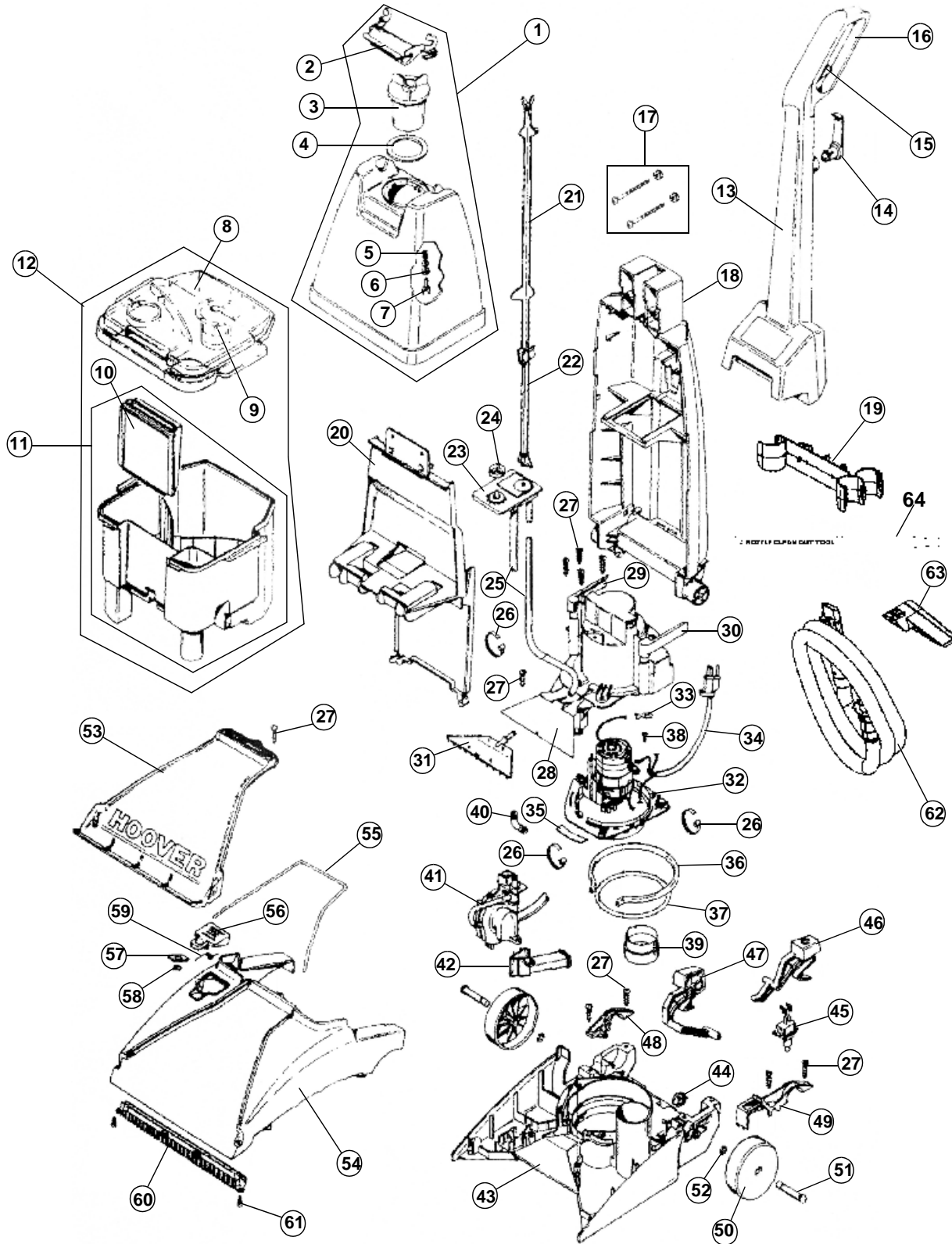
ITEM	PART NUMBER	MODELS To FIT	PART DESCRIPTION	LIST COST
33	90001228	F5810	TANK RELEASE LATCH - RIGHT MAGNSM GRAY	2.26
	36151043	FH50020	TANK RELEASE LATCH - RIGHT MAGNSM GRAY	.80
34	90001229	F5810	TANK RELEASE LATCH - LEFT MAGNSM GRAY	2.26
	36151044	FH50020	TANK RELEASE LATCH - LEFT MAGNSM GRAY	.80
35	38717009	F5810, FH50020	VALVE STEM	2.26
36	21447232	F5810, FH50020	SCREW - SELF TAPPING	.57
37	46583125	F5810, FH50020	POWER CORD - 21'	14.60
38	27212079	F5810, FH50020	MOTOR ASSEMBLY	57.38
39	38784063	F5810, FH50020	STANDPIPE SEAL	3.39
40	36131125	F5810, FH50020	TRUNNION COVER - LEFT MAGNESIUM GRAY	.93
41	28218061	F5810, FH50020	SWITCH	2.80
42	38781039	F5810, FH50020	MOTOR BASE SEAL	2.59
43	38784064	F5810, FH50020	MOTOR INTAKE SEAL	4.53
44	38458042	F5810, FH50020	HANDLE RELEASE LEVER - BLACK	4.07
45	90001281	F5810, FH50020	CORD RETAINER	.85
46	38434025	F5810, FH50020	SWITCH ACTUATOR LEVER	3.39
47	38312014	F5810, FH50020	SPRING	1.12
48	38784061	F5810, FH50020	VALVE SEAL	1.12
49	42272134	F5810, FH50020	SOLUTION TANK ASSEMBLY WITH CAP	34.01
50	38777106	F5810, FH50020	RECOVERY TANK WITH DUCT ONLY REVISED	15.25
51	90001248	F5810, FH50020	NOZZLE FRONT - CLEAR	10.34
52	38434028	F5810, FH50020	CONTROL LEVER - BLACK	1.46
53	39514003	F5810, FH50020	NOZZLE CLEAN OUT TOOL	.54



ASSEMBLY SCHEMATIC

MODEL NO.

FH50015





PART LISTING / PRICE LIST

MODEL NO.

FH50015

ITEM	PART NUMBER	MODELS TO FIT	PART DESCRIPTION	LIST COST
1	42272134	FH50015	SOLUTION TANK ASSEMBLY WITH CAP	34.01
2	39457053	FH50015	SOLUTION TANK HANDLE - MAGNESIUM GRAY	2.17
3	90001288	FH50015	CAP ASSEMBLY - BLACK	1.69
4	38784062	FH50015	GASKET	1.46
5	38312014	FH50015	SPRING	1.12
6	38784061	FH50015	VALVE SEAL	1.12
7	38717009	FH50015	VALVE STEM	2.26
8	42272111	FH50015	RECOVERY TANK LID WITH FILTER	34.01
9	90001398	FH50015	FILTER - RECOVERY TANK LID	4.19
10	90001217	FH50015	DUCT ORDER 38777106	N.A.
11	38777106	FH50015	RECOVERY TANK WITH DUCT ONLY REVISED	15.25
12	38777081	FH50015	RECOVERY TANK COMPLETE WITH LID ASSEMBLY - REVISED DUCT	49.67
13	90001301	FH50015	UPPER HANDLE ASSEMBLY	22.67
14	90001273	FH50015	CORD WRAP - MAGNESIUM GRAY	1.69
15	38434028	FH50015	CONTROL LEVER - BLACK	1.46
16	39458009	FH50015	UPPER HANDLE LEVER GUARD - MAGNSM GRAY	2.10
17	40201149	FH50015	HANDLE HARDWARE ASSEMBLY	2.26
18	39466108	FH50015	LOWER HANDLE ASSEMBLY COMPLETE	47.04
19	36433205	FH50015	HOSE HOLDER	N.A.
20	37276029	FH50015	HANDLE COVER	9.74
21	38458031	FH50015	CONTROL ROD - UPPER	1.81
22	38458033	FH50015	CONTROL ROD - LOWER	1.46
23	43516012	FH50015	RESERVOIR ASSEMBLY	6.79
24	38784060	FH50015	SOLUTION TANK SEAL	1.46
25	40309002	FH50015	TUBING	3.73
26	27479307	FH50015	CABLE TIE	.45
27	21447020	FH50015	SCREW	.57
28	37196139	FH50015	MOTOR / DISTRIBUTION COVER KIT	12.46
29	36151043	FH50015	TANK RELEASE LATCH - RIGHT MAGNSM GRAY	.80
30	36151044	FH50015	TANK RELEASE LATCH - LEFT MAGNSM GRAY	.80
31	43411006	FH50015	DISTRIBUTOR ASSEMBLY	6.79
32	27212079	FH50015	MOTOR ASSEMBLY	57.38
33	012227--	FH50015	TERMINALS	.79
34	46583125	FH50015	POWER CORD - 21'	14.60
35	34122021	FH50015	MOTOR HOUSING SEAL	.67



PART LISTING / PRICE LIST

MODEL No.

FH50015

ITEM	PART NUMBER	MODELS To FIT	PART DESCRIPTION	LIST COST
36	38781039	FH50015	MOTOR BASE SEAL	2.59
37	38784064	FH50015	MOTOR INTAKE SEAL	4.53
38	21447246	FH50015	SCREW - 3.125"	1.12
39	38784063	FH50015	STANDPIPE SEAL	3.39
40	33241001	FH50015	ELBOW CONNECTOR	2.26
41	43582018	FH50015	PUMP ASSEMBLY COMPLETE	16.43
42	38664001	FH50015	ELBOW DUCT	2.67
43	37272114	FH50015	NOZZLE BASE	20.40
44	90001281	FH50015	CORD RETAINER - BLACK	.85
45	28218061	FH50015	SWITCH	2.80
46	38434025	FH50015	SWITCH ACTUATOR LEVER	3.39
47	38458042	FH50015	HANDLE RELEASE LEVER - BLACK	4.07
48	36131124	FH50015	TRUNNION COVER - RIGHT MAGNESIUM GRAY	2.26
49	36131125	FH50015	TRUNNION COVER - LEFT MAGNESIUM GRAY	.93
50	38522091	FH50015	REAR WHEEL - MAGNESIUM GRAY	1.47
51	32434007	FH50015	REAR AXLE	1.12
52	160017--	FH50015	LOCK RING	.58
53	90001248	FH50015	NOZZLE FRONT - CLEAR	10.34
54	37271153	FH50015	NOZZLE HOOD - BLACK	N.A.
55	38781037	FH50015	NOZZLE SEAL	2.59
56	37257297	FH50015	HOSE ACCESS DOOR - BLACK	3.39
57	38783019	FH50015	ACCESS DOOR SEAL	.59
58	21362006	FH50015	HOSE ACCESS DOOR SPEED NUT	.85
59	38351017	FH50015	ACCESS DOOR SPRING	1.12
60	48443005	FH50015	BRUSH BACK ASSEMBLY	6.47
61	21447228	FH50015	SCREW - SELF TAPPING	.57
62	90001351	FH50015	HOSE ASSEMBLY	41.99
63	38613040	FH50015	STAIR / UPHOLSTERY TOOL	9.30
64	39514003	FH50015	NOZZLE CLEAN OUT TOOL	.54
	48439009		TURBINE NOZZLE - LIME GREEN	28.34
	90001331		BARE FLOOR TOOL ASSEMBLY	6.23



SteamVac

SpinScrub

Pet COMPLETE

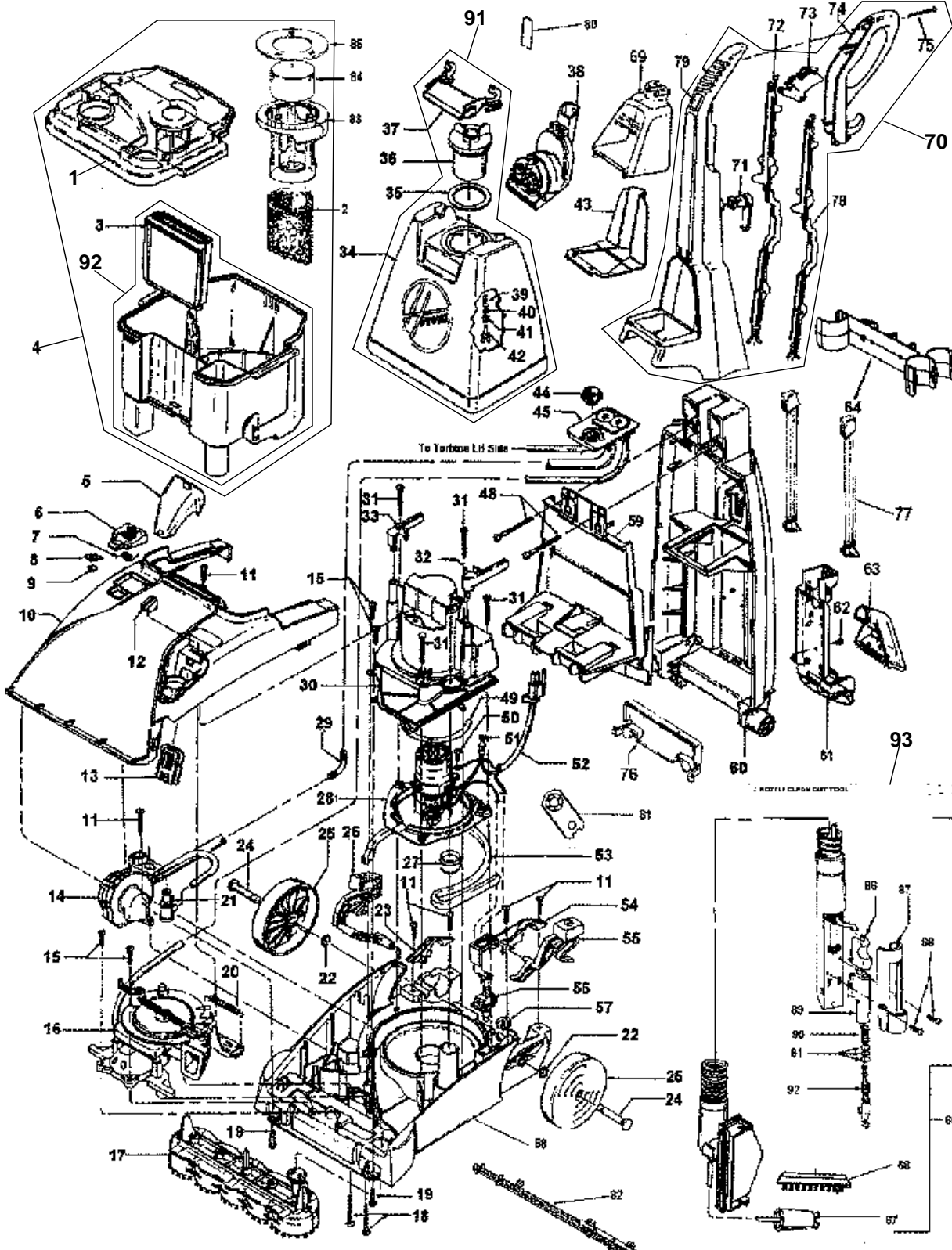
SteamVac with CLEAN SURGE

15

ASSEMBLY SCHEMATIC

MODEL NO.

- F5914-900
- F5915-900
- F5917-900
- F5918-900
- FH50045





SteamVac

SpinScrub



SteamVac™
with
CLEAN
SURGE™

15

PART LISTING / PRICE LIST

ITEM	PART NUMBER	MODELS TO FIT	PART DESCRIPTION	LIST COST
1	42272111	ALL	RECOVERY TANK LID WITH FILTER	34.01
2	90001398	ALL	TANK FILTER	4.19
3	38661004	ALL	DUCT ORDER 38777106	N.L.A.
4	38777081	F5914900, F5918900, F5915900, F5917900	RECOVERY TANK COMPLETE WITH LID ASSEMBLY - REVISED DUCT	49.67
5	39383106	ALL	LENS	2.82
6	37257307	F5914900	HOSE ACCESS DOOR - PATRIOT BLUE	3.39
	37257321	F5915900	HOSE ACCESS DOOR - BERMUDA BLUE	N.A.
	37257297	F5917900, FH50045	HOSE ACCESS DOOR - BLACK	3.39
	37257326	F5918900	HOSE ACCESS DOOR - WINTER GREEN	N.A.
7	38351017	ALL	ACCESS DOOR SPRING	1.12
8	38783021	ALL	SEAL	1.54
9		ALL	SPEED NUT	N.A.
10	37271110	F5914900	NOZZLE / HOOD - PATRIOT BLUE	31.04
	37271143	F5915900	NOZZLE / HOOD - BERMUDA BLUE	31.17
	37271160	F5917900, FH50045	NOZZLE / HOOD - BLACK	31.17
	37271167	F5918900	NOZZLE / HOOD - WINTER GREEN	N.A.
11	21447020	ALL	SCREW	.57
12	38421127	ALL	INDICATOR KNOB	.88
13	43613009	ALL	SCREEN ASSEMBLY	2.59
14	43582018	ALL	PUMP ASSEMBLY COMPLETE	16.43
15	21447217	ALL	SCREW - SELF TAPPING	1.12
16	43191021	ALL	TURBINE AND GEAR ASSMBLY - 5 BRUSH	34.01
17	48437022	ALL	BRUSH BLOCK - 5 BRUSH	27.21
18	21479438	ALL	SCREW	1.12
19	21447072	ALL	SCREW	.57
20	38333009	ALL	SPRING	1.12
21	43523004	ALL	QUICK DISCONNECT ASSEMBLY	5.24
22	160017--	ALL	LOCK RING	.58
23	36131085	F5914900	TRUNNION COVER - RIGHT	2.26
	36131124	F5915900, F5917900, F5918900, FH50045	TRUNNION COVER - RIGHT MAG GRAY	2.26
24	32434007	ALL	REAR AXLE	1.12
25	38522091	ALL	REAR WHEEL - MAGNESIUM GRAY	1.47

MODEL NO.

F5914-900
F5915-900
F5917-900
F5918-900
FH50045



SteamVac

SpinScrub



SteamVac

with CLEAN SURGE

15

PART LISTING / PRICE LIST

MODEL No.

ITEM	PART NUMBER	MODELS TO FIT	PART DESCRIPTION	LIST COST
26	38458042	ALL	HANDLE RELEASE LEVER - BLACK	4.07
27	38784063	ALL	STANDPIPE SEAL	3.39
28	27212077	F5914900	MOTOR ASSEMBLY	64.73
	27212074	F5915900, F5917900, F5918900, FH50045	MOTOR ASSEMBLY	56.39
29	33241001	ALL	ELBOW CONNECTOR	2.26
30	40309027	F5914900	MOTOR COVER	21.54
	37196190	F5915900, F5917900, F5918900, FH50045	MOTOR COVER	9.63
31	21447232	ALL	SCREW - SELF TAPPING	.57
32	90001229	ALL	TANK RELEASE LATCH - LEFT MAG GRAY	2.26
33	90001228	ALL	TANK RELEASE LATCH - RIGHT MAG GRAY	2.26
34	42272134	ALL	SOLUTION TANK WITH CAP	34.01
35	38784062	ALL	GASKET	1.46
36	90001288	ALL	CAP ASSEMBLY - BLACK	1.69
37	39457053	ALL	SOLUTION TANK HANDLE	2.17
38	48439013	F5914900 (ALL)	TURBINE NOZZLE WITH RELEASE	28.34
39	38312014	ALL	SPRING	1.12
40		ALL	VALVE RING	N.A.
41	38784061	ALL	VALVE SEAL	1.12
42	38717009	ALL	VALVE STEM	2.26
43	36433212	ALL	TOOL HOLDER	1.89
44	38784060	ALL	SOLUTION TANK SEAL	1.46
45	43526018	ALL	RESERVOIR REGULATOR	8.93
46	40309002	ALL	TUBING	3.73
48	40201245	ALL	HANDLE HARDWARE ASSEMBLY	2.94
49	34113004	ALL	MOTOR SEAL	1.12
50		ALL	SCREW	N.A.
51	012227--	ALL	TERMINALS	.79
52	46583125	ALL	POWER CORD - 21'	14.60
53	38781048	ALL	MOTOR BASE SEAL	2.59
54	36131086	F5914900	TRUNNION COVER - LEFT	2.94
	36131125	F5915900, F5917900, F5918900, FH50045	TRUNNION COVER - LEFT MAG GRAY	.93
55	38434025	ALL	SWITCH ACTUATOR LEVER	3.39
56	28218061	ALL	SWITCH	2.80
57	90001281	ALL	CORD RETAINER - BLACK	.85

F5914-900
F5915-900
F5917-900
F5918-900
FH50045



SteamVac

SpinScrub



SteamVac with CLEAN SURGE

15

PART LISTING / PRICE LIST

ITEM	PART NUMBER	MODELS TO FIT	PART DESCRIPTION	LIST COST
58	42274005	F5914900	NOZZLE BASE ASSEMBLY	21.54
	37272117	F5915900, F5917900, F5918900, FH50045	NOZZLE BASE ASSEMBLY - MAG GRAY	18.48
59	37276022	F5914900	HANDLE COVER	10.20
	37276037	F5915900, F5917900, F5918900, FH50045	HANDLE COVER - MAGNESIUM GRAY	PENDING
60	39466114	ALL	LOWER HANDLE ASSEMBLY	47.07
61	90001346	ALL	LOWER TOOL HOLDER	4.86
62	21447041	ALL	SCREW	.58
63	38613040	ALL	NOZZLE BODY WITH BRUSH	9.30
64	36433219	ALL	UPPER HOSE HOLDER	2.22
65	90001351	F5914900	COMPLETE HOSE ASSEMBLY	41.99
	43491075	F5915900, F5917900, F5918900, FH50045	COMPLETE HOSE ASSEMBLY	41.09
66	38613040	ALL	NOZZLE BODY WITH BRUSH	9.30
67	43513010	ALL	CONNECTOR COUPLER	3.73
68	48445003	ALL	BRUSH BLOCK ASSEMBLY - HOSE TOOL	1.54
69	37276011	F5915900, F5917900, FH50045	TOOL COVER	4.86
	37276033	F5918900	TOOL COVER	4.86
70	39466113	F5914900, F5915900	UPPER HANDLE	27.54
	39466130	F5917900, F5918900, FH50045	UPPER HANDLE - MAGNESIUM GRAY	27.54
71	39442043	F5914900	CORD WRAP	2.03
	39442048	F5915900, F5917900, F5918900, FH50045	CORD WRAP - MAGNESIUM GRAY	1.14
72	38458056	ALL	CONTROL ROD - UPPER	3.73
73	38434029	ALL	CONTROL LEVER	2.03
74	39458007	F5914900	UPPER HANDLE LEVER GUARD	6.79
	39458060	F5915900, F5917900, F5918900, FH50045	UPPER HANDLE LEVER GUARD - MAG GRAY	2.66
75	21447255	ALL	SCREW - SELF TAPPING	1.12
76	37276035	ALL	SOLUTION TUBE COVER	.70
77	38458033	ALL	CONTROL ROD - LOWER	1.46
78	38458055	ALL	CONTROL ROD - UPPER BACK	3.73
79	38433079	ALL	SOLUTION BUTTON	1.12
80	51639165	ALL	LABEL - CLEAN SURGE	5.09
81	36132004	ALL	TUBING RETAINER	1.12

MODEL No.

- F5914-900
- F5915-900
- F5917-900
- F5918-900
- FH50045



SteamVac

SpinScrub



SteamVac with CLEAN SURGE

15

PART LISTING / PRICE LIST

ITEM	PART NUMBER	MODELS TO FIT	PART DESCRIPTION	LIST COST
82	38769028	ALL	EXHAUST DUCT	2.59
83	38719027	ALL	FLOAT RETAINER	2.59
84	43538001	ALL	FLOAT ASSEMBLY	3.73
85	38784070	ALL	FLOAT RETAINER SEAL	2.59
86	38433074	ALL	TRIGGER	1.12
87	37276006	ALL	WAND COVER	1.12
88	21447239	ALL	SCREW	.57
89	43513024	ALL	WAND VALVE ASSEMBLY - LARGER NIPPLE	1.69
90	38312019	ALL	SPRING	1.12
91	42272134	ALL	SOLUTION TANK WITH CAP	34.01
92	38777106	FH50045	RECOVERY TANK WITH DUCT ONLY REVISED	15.25
93	39514003	ALL	NOZZLE CLEAN OUT TOOL	.54
	43412007	ALL	NOZZLE/VALVE ASSEMBLY	4.53
	51638055	ALL	LABEL - HANDLE RELEASE	.89
	51639124	F5914900	LABEL - DOOR	1.12
	51639196	F5915900, F5917900, F5918900, FH50045	LABEL - DOOR	.07
	51855030	F5914900	LABEL - SPEED ACTUATOR	4.01
	51639192	F5915900, F5917900, F5918900, FH50045	LABEL - BRUSH SPEED	2.26
	51865024	ALL	LABEL - ON/OFF	.89
	49811079	ALL	LEAD WIRE - WHITE	1.12
	49811080	ALL	LEAD WIRE - PURPLE	1.12
	49811081	ALL	LEAD WIRE - RED	1.12
	57333023	F5914900 (ALL)	CARPET CLEANING SOLUTION 16 OZ	2.59 NON DISC
	40301448	F5914900 (ALL)	DETERGENT 32 OZ	7.14 NON DISC
	40322016	F5914900 (ALL)	PRE-CLEANER 16 OZ	2.74 NON DISC
	40311048	F5917900, FH50045 (ALL)	CARPET / UPHOLSTERY DETERGENT CLEANING SOLUTION 48 OZ	5.76
	40301432	FH50045 (ALL)	ULTRA DETERGENT 32 OZ	5.00 NON DISC
	40303037	FH50045 (ALL)	FLOOR DETERGENT 32 OZ	5.00 NON DISC
	43412003	FH50045 (ALL)	SPRAYER	3.39
	90001331	FH50045 (ALL)	BARE FLOOR TOOL ASSEMBLY	6.23
	57335024	F5918900 (ALL)	PREMIUM PET DETERGENT	PENDING

MODEL No.

F5914-900
F5915-900
F5917-900
F5918-900
FH50045



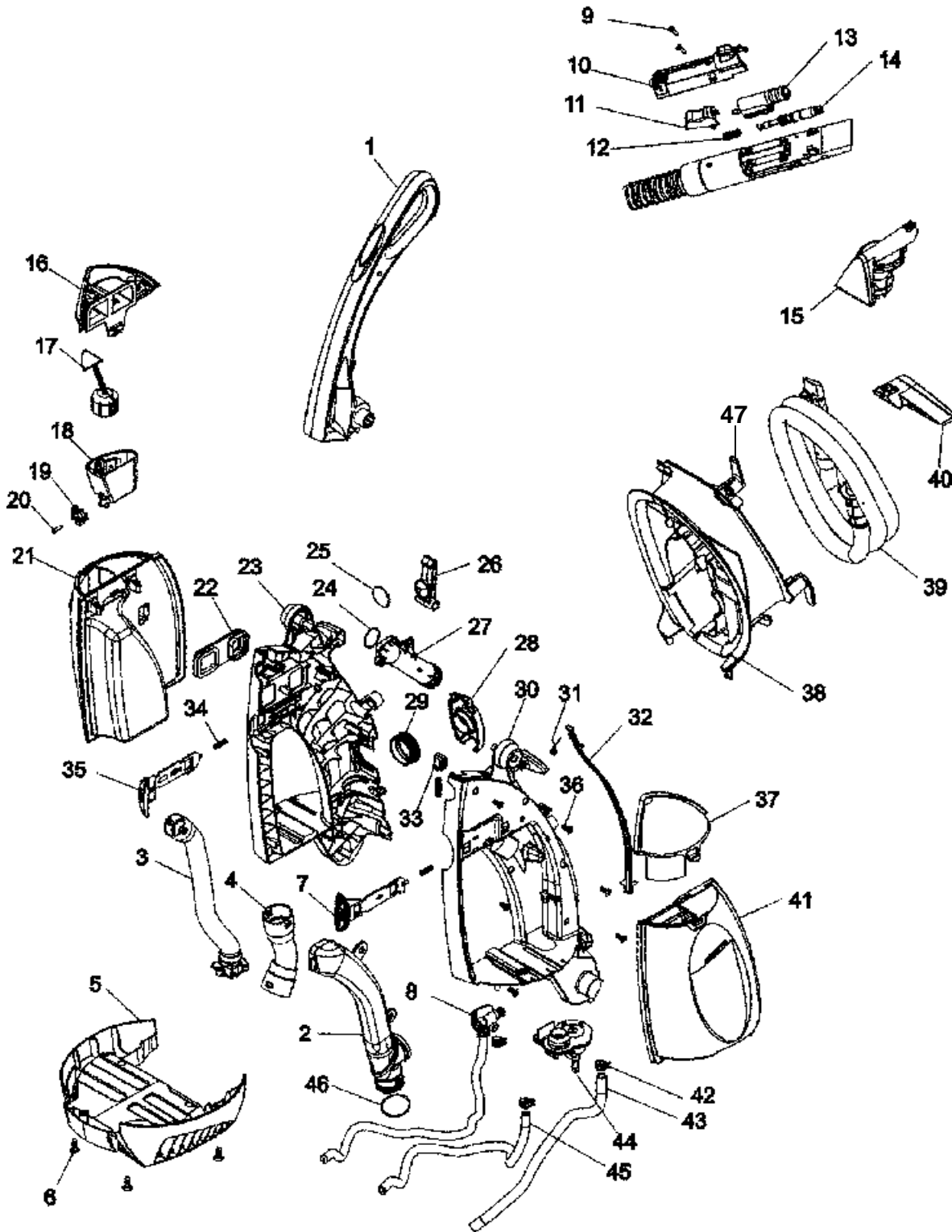
SteamVac™
agility™

15

ASSEMBLY SCHEMATIC

MODEL NO.

F6207-900
F6212-900
F6215-900





SteamVac™
agility™

15

PART LISTING / PRICE LIST

MODEL No.

F6207-900
F6212-900
F6215-900

ITEM	PART NUMBER	MODELS TO FIT	PART DESCRIPTION	LIST COST
1	90001045	F6212-900, F6215-900	UPPER HANDLE ASSEMBY	21.54
	39466096	F6207-900	UPPER HANDLE ASSEMBY	19.74
2	90001110	ALL	SOLUTION DUCT	3.96
3	90001079	ALL	AIR HOSE COMPLETE	11.33
4	90001080	ALL	RECOVERY HOSE COMPLETE	11.33
5	90001069	ALL	LOWER HANDLE COVER	11.33
6	21447003	ALL	SCREW	.57
7	90001054	ALL	SOLUTION TANK RELEASE LATCH	2.59
8	90001095	ALL	QUICK DISCONNECT ASSEMBLY	5.84
9	21447239	ALL	SCREW	.57
10	92001002	F6212-900, F6215-900	WAND COVER	1.12
	37276006	F6207-900	WAND COVER	1.12
11	38433074	ALL	TRIGGER	1.12
12	38312019	ALL	SPRING	1.12
13	91001059	ALL	WAND VALVE ASSEMBLY - SMALL NIPPLE	1.69
14	43412007	ALL	NOZZLE / VALVE ASSEMBLY	4.53
15	91001003	ALL	TURBINE NOZZLE	34.01
	48434006	ALL	BRUSH ASSEMBLY - TURBINE	6.79
	38613038	ALL	NOZZLE BODY - TURBINE	15.70
16	90001282	F6212-900	RECOVERY LID COVER ASSEMBLY - SURF BLUE TRANSLUCENT	15.87
	90001089	F6215-900	RECOVERY LID COVER ASSEMBLY - LAVENDAR MIST ORDER 37274112	N.L.A.
	37274112	F6207-900	RECOVERY LID COVER ASSEMBLY - FROST TRANSLUCENT MEDIUM	15.87
17	90001041	ALL	FLOAT	2.26
18	90001040	ALL	SEPARATOR CHANNEL	4.53
19	90001042	ALL	FLOAT GLIDE	2.59
20		ALL	SCREW - SELF TAPPING	N.A.
21	90001038	F6212-900	RECOVERY TANK COMPLETE ORDER 42272169	N.L.A.
	42272169	F6215-900	RECOVERY TANK COMPLETE - LAVENDER	33.64
	42272175	F6207-900	RECOVERY TANK COMPLETE - FROST ORDER 42272169	N.L.A.
22	38783034	ALL	SEAL	1.05
23	90001049	ALL	LOWER HANDLE ASSEMBLY - RIGHT	28.34
24	90001103	ALL	O-RING HOSE ENDS	.74



SteamVac™
agility™

15

PART LISTING / PRICE LIST

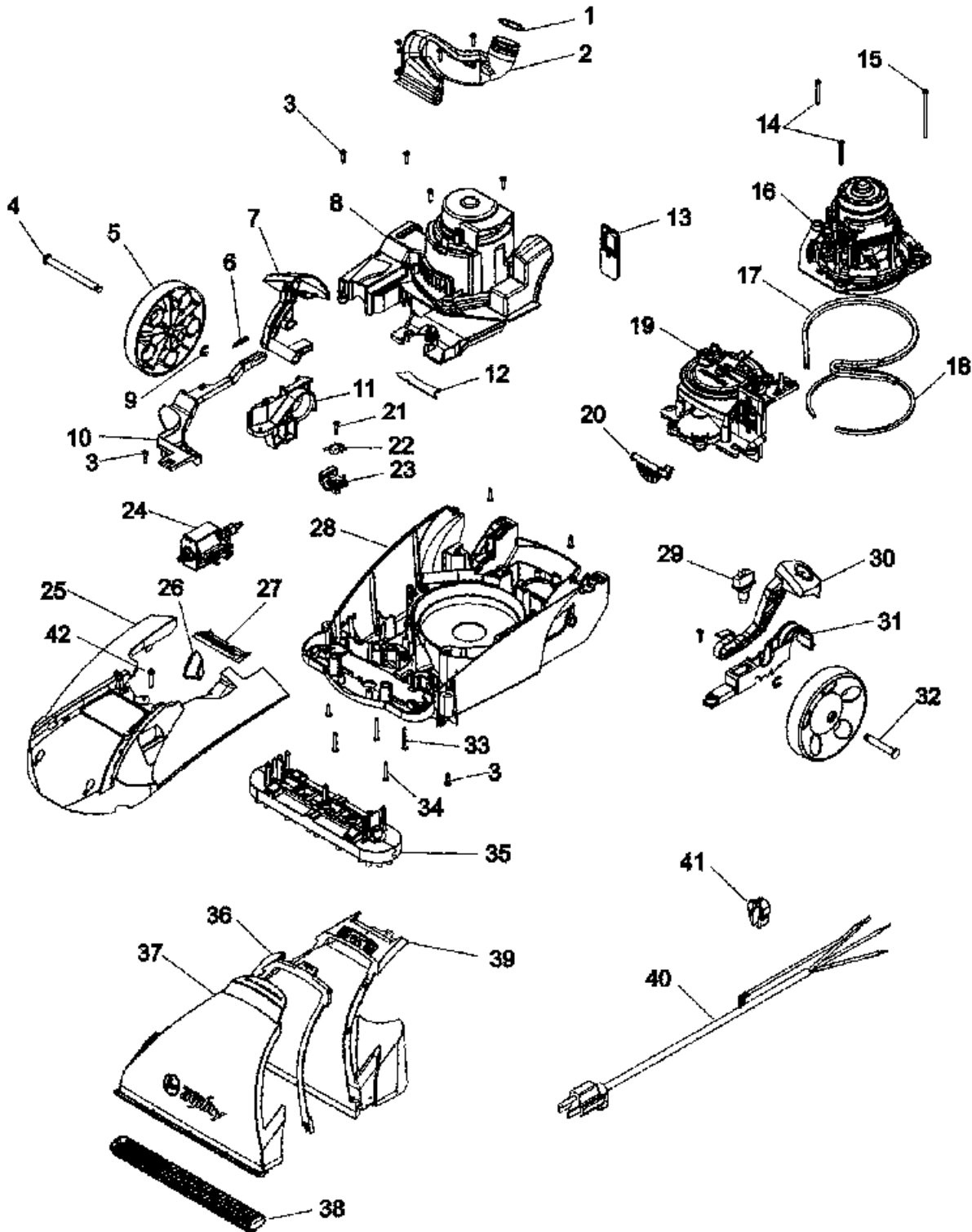
ITEM	PART NUMBER	MODELS TO FIT	PART DESCRIPTION	LIST COST
25	51661020	ALL	MEDALLION	1.46
26	90001352	ALL	LATCH UPPER HANDLE	2.26
27	90001077	ALL	AIR RETURN ELBOW	N.A.
28	90001071	ALL	DOOR - TOOL PORT	3.39
29	90001078	ALL	SEAL - TOOL PORT	3.39
30	39466085	ALL	LOWER HANDLE ASSEMBLY - LEFT	21.49
31	90001048	ALL	SPRING	1.12
32	90001053	ALL	CONTROL ROD - LOWER	1.81
33	90001072	ALL	TOLERANCE SPACER	N.L.A.
34	90001037	ALL	SPRING	1.12
35	90001051	ALL	RECOVERY TANK RELEASE HANDLE	2.59
36	21447003	ALL	SCREW	.57
37	90001283	F6212-900	LID COVER - SOLUTION TANK	11.33
	37274078	F6215-900	LID COVER - SOLUTION TANK	15.87
	37274111	F6207-900	LID COVER - SOLUTION TANK	8.93
38	36433193	ALL	TOOL CADDY	14.07
39	91001008	ALL	CLEANING TOOL HOSE	29.47
40	38613040	ALL	NOZZLE BODY WITH BRUSH	9.30
41	90001284	F6212-900	SOLUTION TANK ASSEMBLY - SURF BLUE	28.34
	90001091	F6215-900	SOLUTION TANK ASSEMBLY - LAVENDER	28.34
	38777104	F6207-900	SOLUTION TANK ASSEMBLY - FROST	28.34
	90001259	ALL	SPRING VALVE	.57
	90001260	ALL	VALVE SEAL	.74
	90001261	ALL	VALVE STEM	.85
42	25411015	ALL	HOSE CLAMP	1.12
43	90001075	ALL	TUBING	1.12
44	90001073	ALL	RESERVOIR - WELDED	11.33
45	90001076	ALL	TUBING	N.L.A.
46	90001103	ALL	O-RING HOSE END	.74
47	39442048	F6212-900, F6215-900	CORD WRAP - MAGNESIUM GRAY	1.14
	91001153	F6207-900	CORD WRAP	1.12

MODEL No.

F6207-900
F6212-900
F6215-900



ASSEMBLY SCHEMATIC



MODEL NO.

F6207-900
F6212-900
F6215-900



SteamVac™
agility™

15

PART LISTING / PRICE LIST

MODEL No.

F6207-900
F6212-900
F6215-900

ITEM	PART NUMBER	MODELS TO FIT	PART DESCRIPTION	LIST COST
1	90001103	ALL	O-RING HOSE ENDS	.74
2	90001104	ALL	RECOVERY DUCT	4.53
	21447242	ALL	SCREW - SELF TAPPING	1.12
3	21447003	ALL	SCREW	.57
4	90001107	ALL	REAR WHEEL AXLE - RIGHT	1.69
5	90001065	ALL	REAR WHEEL	2.26
6	38331006	ALL	SPRING - TURBINE	1.12
7	90001064	ALL	HANDLE RELEASE PEDAL	4.53
8	90001061	ALL	MOTOR COVER	12.23
9	160017--	ALL	LOCK RING	.58
10	38458074	ALL	ACTUATOR ARM - TURBINE	2.86
11	90001067	ALL	TRUNNION COVER - RIGHT	2.26
12	90001111	ALL	MOTOR COVER SEAL	.57
13	43613018	ALL	FILTER AND SCREEN ASSEMBLY	4.19
14	21447232	ALL	SCREW - SELF TAPPING	.57
15	21447246	ALL	SCREW - 3.125"	1.12
16	27212077	F6212-900, F6215-900	MOTOR ASSEMBLY	64.73
	27212074	F6207-900	MOTOR ASSEMBLY	56.39
17	38781048	ALL	MOTOR BASE SEAL	2.59
18	34113004	ALL	MOTOR SEAL	1.12
19	43191010	ALL	TURBINE AND GEAR ASSEMBLY	34.01
	91001075	ALL	BEARING - TURBINE	1.69
20	90001068	ALL	VALVE DOOR	2.26
21	21447003	ALL	SCREW	.57
22	90001112	ALL	SWITCH	3.96
23	90001062	ALL	SWITCH BRACKET	1.12
24	90001105	ALL	PUMP ASSEMBLY	26.64
25	90001035	F6212-900	HOOD ASSEMBLY - SURF BLUE	31.71
	90001085	F6215-900	HOOD ASSEMBLY - LAVENDER MIST	29.47
	37271144	F6207-900	HOOD ASSEMBLY - GRAY	14.73
26	38421114	ALL	INDICATOR KNOB	.53
27	90001059	ALL	SEAL RECOVERY DUCT	4.29
28	90001036	ALL	MAIN BODY ASSEMBLY	31.74
29	28218061	ALL	SWITCH	2.80
30	90001063	ALL	SWITCH ACTUATION PEDAL	4.53
31	90001066	ALL	TRUNNION COVER - LEFT	2.26



SteamVac™
agility™

15

PART LISTING / PRICE LIST

ITEM	PART NUMBER	MODELS TO FIT	PART DESCRIPTION	LIST COST
32	90001108	ALL	REAR WHEEL AXLE - LEFT	1.13
33	21479438	ALL	SCREW	1.12
34	21447236	ALL	SCREW	1.12
35	48437029	ALL	BRUSH BLOCK - 5 BRUSH	26.07
36	90001058	ALL	NOZZLE SEAL	6.79
37	37275069	F6212-900, F6215-900	FRONT PLATE - NOZZLE - CLEAR	20.02
	37275063	F6207-900	FRONT PLATE - NOZZLE - CLEAR	11.33
38	91001007	ALL	BARE FLOOR TOOL - FOAM	N.L.A.
39	90001057	F6212-900, F6215-900	BACK PLATE - NOZZLE	20.40
	37275064	F6207-900	BACK PLATE - NOZZLE	14.16
40	90001109	ALL	POWER CORD	17.00
41	90001281	ALL	CORD RETAINER	.85
	27479307	ALL	CABLE TIE	.45

MODEL No.

F6207-900

F6212-900

F6215-900



**STEAM VAC™
DUAL V™**

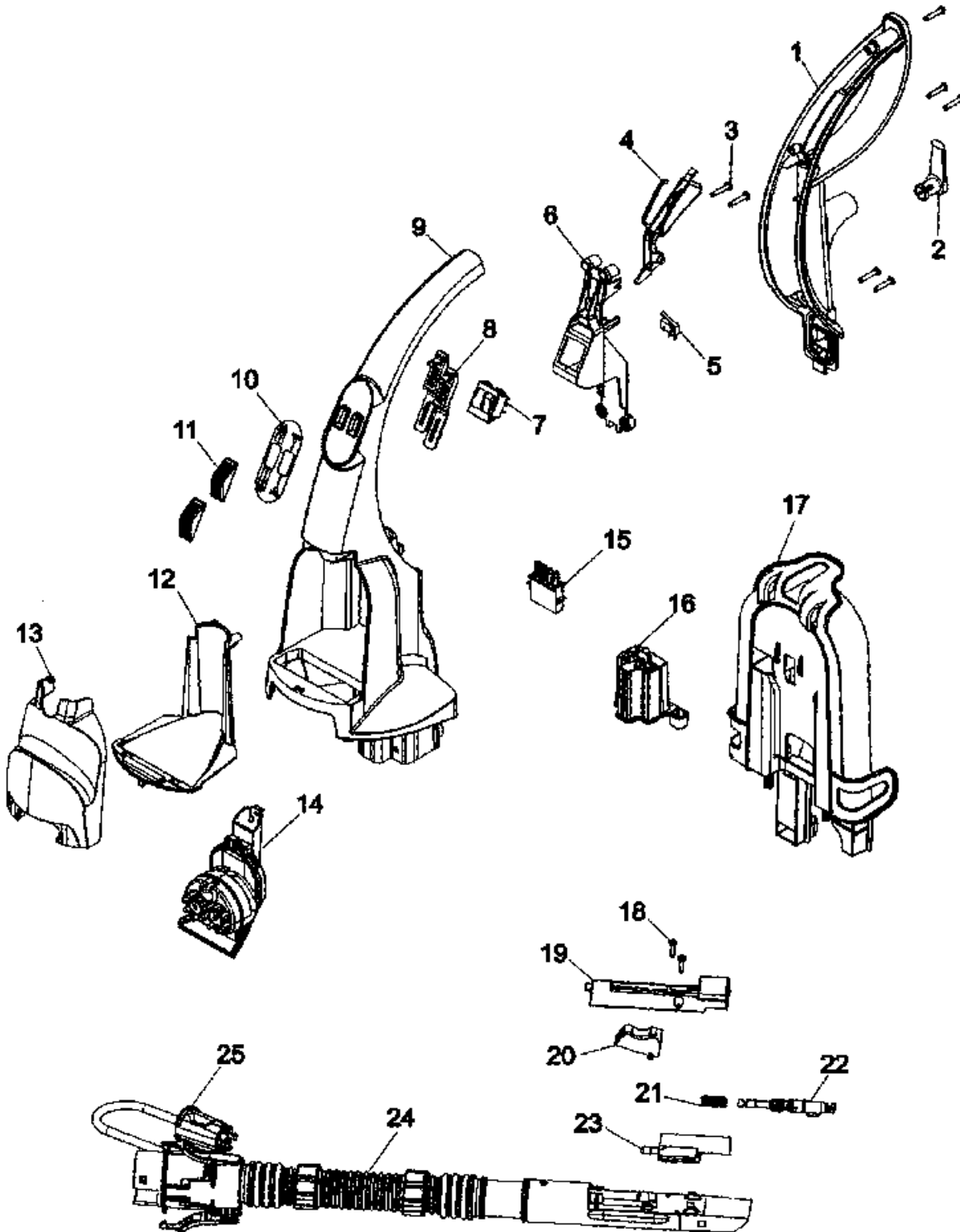
**STEAM VAC™
ALL TERRAIN**

15

ASSEMBLY SCHEMATIC

MODEL NO.

F7222-900
F7227-900
F7411-900
F7412-900
F7428-900
F7429-900
F7452-900
FH50040





**STEAM VAC™
DUAL V™**

**STEAM VAC™
ALL TERRAIN**

15

PART LISTING / PRICE LIST

ITEM	PART NUMBER	MODELS TO FIT	PART DESCRIPTION	LIST COST
1	92001302	F7222900, F7227900, F7428900, F7429900, F7452900, FH50040	UPPER HANDLE - REAR	3.96
	39458011	F7411900, F7412900	UPPER HANDLE - REAR	5.66
	40201243	ALL	HANDLE HARDWARE ASSEMBLY	1.46
2	39442055	ALL	CORD WRAP	.88
3	21447072	ALL	SCREW	.57
4	38434030	ALL	CONTROL LEVER - BLACK	1.69
5	28218051	ALL	MICRO SWITCH	4.53
6	36436023	ALL	UPPER HANDLE SUPPORT	N.L.A.
7	28267003	ALL	SWITCH - DOUBLE ROCKER	5.66
8	38458065	ALL	SWITCH ROD	1.12
9	39466118	F7222900, F7227900	UPPER HANDLE w/TOOL CADDY - FRONT	11.33
	39466073	F7411900, F7412900	UPPER HANDLE w/TOOL CADDY - FRONT	14.70
	92001303	F7428900, F7452900	UPPER HANDLE w/TOOL CADDY - FRONT	11.33
	48663243	F7429900, FH50040	UPPER HANDLE w/o TOOL CADDY - FRONT	22.85
10	52313107	F7222900, F7227900, F7411900, F7412900, FH50040	LABEL	2.26
	52313108	F7428900, F7429900, F7452900	LABEL	2.26
11	38421114	F7222900, F7227900, FH50040	INDICATOR KNOB	.53
	38421122	F7411900, F7412900, F7428900, F7429900, F7452900	SWITCH BUTTON	.88
12	36433227	F7222900, F7227900, F7411900, F7412900, F7428900, FH50040	TOOL HOLDER	2.10
13	37276039	F7222900, F7411900, F7412900, F7428900, F7452900	TOOL HOLDER COVER	3.22
	37276039	F7227900	TOOL HOLDER COVER	3.22
	37276043	F7429900, FH50040	FRONT COVER	5.09
14	48439009	F7222900, F7227900, F7428900, F7452900	TURBINE NOZZLE - LIME GREEN	28.34
	48439013	F7411900, F7412900	TURBINE NOZZLE WITH RELEASE	28.34
	48437028	F7411900, F7412900, F7428900, F7452900	SCRUB MODULE	9.80
	48437035	F7411900, F7412900	UPHOLSTERY MODULE	5.60
15	46658005	ALL	UPPER HANDLE SUPPLY SWITCH	14.73

MODEL No.

F7222-900
F7227-900
F7411-900
F7412-900
F7428-900
F7429-900
F7452-900
FH50040



STEAM VAC™
DUAL V™

STEAM VAC™
ALL TERRAIN

15

PART LISTING / PRICE LIST

ITEM	PART NUMBER	MODELS TO FIT	PART DESCRIPTION	LIST COST
16	37922014	ALL	WIRE COVER	1.89
17	92001281	F7222900, F7227900, F7428900, F7452900	TOOL CADDY - SANDSTONE GRAY	15.87
	36433167	F7411900, F7412900	TOOL CADDY	13.03
	36433243	F7429900, FH50040	CADDY BODY	PENDING
18	21447239	ALL	SCREW	.57
19	37276038	F7222900, F7227900, F7428900, F7429900, F7452900, FH50040	WAND COVER	N.A.
	37276006	F7411900, F7412900	WAND COVER	1.12
20	38433074	ALL	TRIGGER	1.12
21	38312019	ALL	SPRING	1.12
22	43412007	ALL	NOZZLE AND VALVE ASSEMBLY	4.53
23	43513024	ALL	WAND VALVE ASSEMBLY - LARGER NIPPLE	1.69
24	91001063	F7222900, F7227900, F7411900, F7412900, F7428900, F7452900	HOSE ASSEMBLY - CLEAR / LATCH IN STYLE	26.64
	43491086	F7429900, FH50040	HOSE ASSEMBLY	26.64
25	43513010	ALL	CONNECTOR COUPLER	3.73

MODEL No.

F7222-900
F7227-900
F7411-900
F7412-900
F7428-900
F7429-900
F7452-900
FH50040



**STEAM VAC™
DUAL V™**

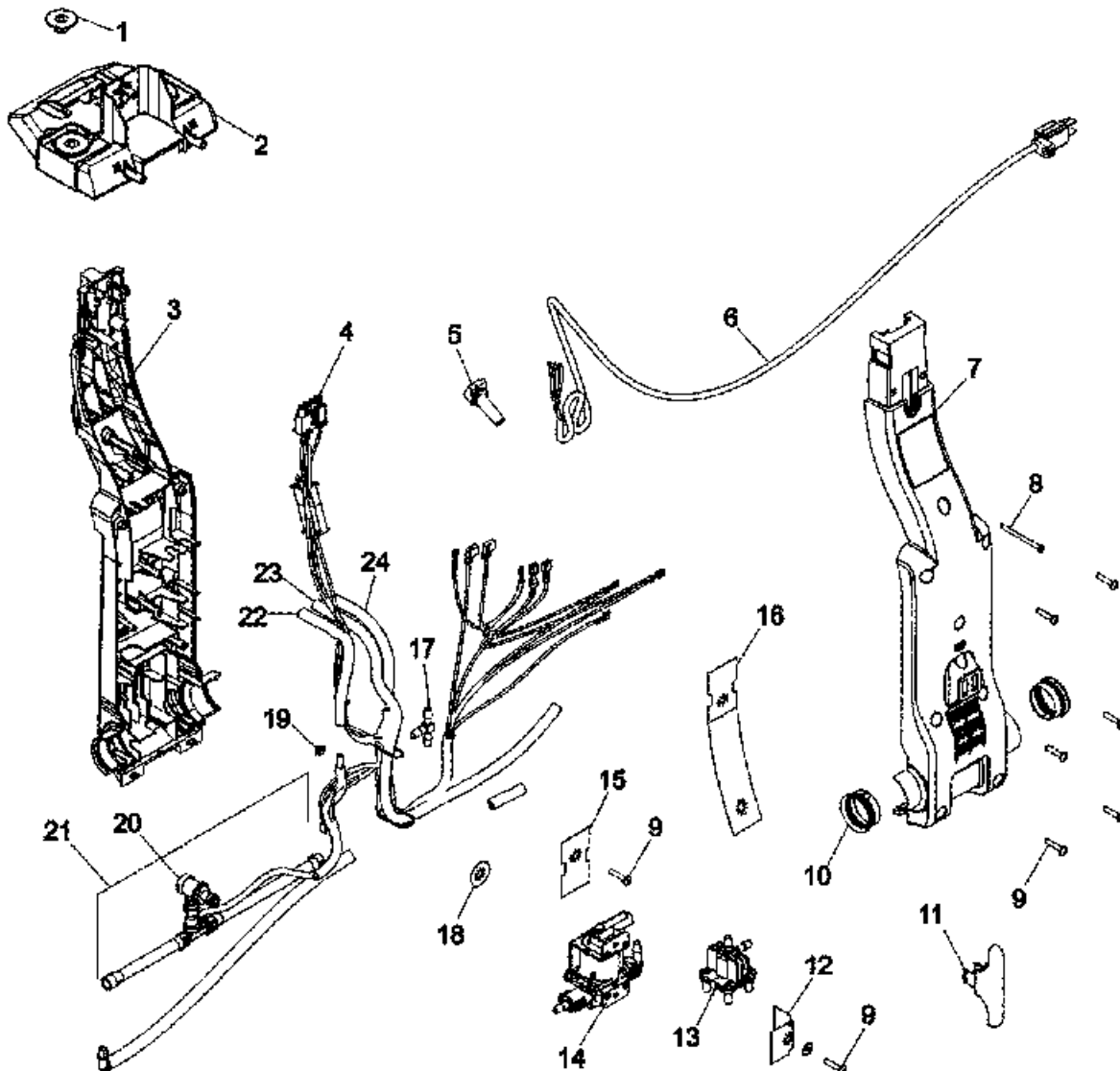
**STEAM VAC™
ALL TERRAIN**

15

ASSEMBLY SCHEMATIC

MODEL NO.

F7222-900
F7227-900
F7411-900
F7412-900
F7428-900
F7429-900
F7452-900
FH50040





**STEAM VAC™
DUAL V™**

**STEAM VAC™
ALL TERRAIN**

15

PART LISTING / PRICE LIST

ITEM	PART NUMBER	MODELS TO FIT	PART DESCRIPTION	LIST COST
1	38764042	F7222900, F7227900, F7411900, F7412900, F7428900, F7429900, FH50040	METERING PLATE - SANDSTONE GRAY	2.26
	92001310	F7452900	METERING PLATE - SILVER SAND	2.26
2	41423024	F7222900, F7227900, F7428900, F7429900, F7452900, FH50040	TANK SUPPORT ASSEMBLY	11.33
	41423021	F7411900, F7412900	TANK SUPPORT ASSEMBLY	22.67
3	39466116	ALL	LOWER HANDLE - FRONT SILVER SAND	5.09
4	46658003	F7222900, F7227900, F7411900, F7412900, FH50040	WIRING HARNESS ASSEMBLY	17.00
	46658004	F7428900, F7429900, F7452900	WIRING HARNESS ASSEMBLY	27.21
5	36215028	ALL	CORD PROTECTOR	1.81
6	91001198	ALL	POWER CORD ASSEMBLY	18.70
	46583125	F7411900, F7412900	POWER CORD - 21'	14.60
7	92001302	F7222900, F7227900, F7428900, F7429900, F7452900	LOWER HANDLE - REAR SANDSTONE GRAY	3.96
	91001098	F7411900, F7412900	LOWER HANDLE - REAR	N.A.
	39466117	FH50040	LOWER HANDLE - REAR SILVER SAND	9.45
8	21447019	ALL	SCREW	.57
9	21447269	ALL	SCREW	.57
10	32456001	ALL	TRUNNON SLEEVE	1.12
11	36433228	F7222900, F7227900, F7428900, F7429900, F7452900, FH50040	CORD HOOK - HOSE	1.12
	36433169	F7411900, F7412900	CORD HOOK - HOSE	1.12
12	34264006	ALL	INSULATOR	1.12
13	43513013	ALL	PRESSURE VALVE ASSEMBLY	11.33
14	43582011	ALL	PUMP ASSEMBLY - SOLENOID	27.21
15	34264006	ALL	INSULATOR	1.12
16	34285001	ALL	INSULATOR	1.12
17	38681010	ALL	T CONNECTOR	1.12
18	34264007	ALL	INSULATOR - LOWER	1.12
19	25411015	ALL	HOSE CLAMP	1.12
20	43523004	ALL	QUICK DISCONNECT ASSEMBLY	5.24

MODEL No.

F7222-900
F7227-900
F7411-900
F7412-900
F7428-900
F7429-900
F7452-900
FH50040



**STEAM VAC™
DUAL V™**

**STEAM VAC™
ALL TERRAIN**

15

PART LISTING / PRICE LIST

ITEM	PART NUMBER	MODELS TO FIT	PART DESCRIPTION	LIST COST
21	43491046	ALL	QUICK DISCONNECT TUBING	17.00
22	90001101	ALL	TUBING - 6.75" LONG	1.13
23	66173013	ALL	TUBING - 22.25" LONG	2.59
24	90001101	ALL	TUBING - 6.75" LONG	1.13

MODEL No.

F7222-900
F7227-900
F7411-900
F7412-900
F7428-900
F7429-900
F7452-900
FH50040

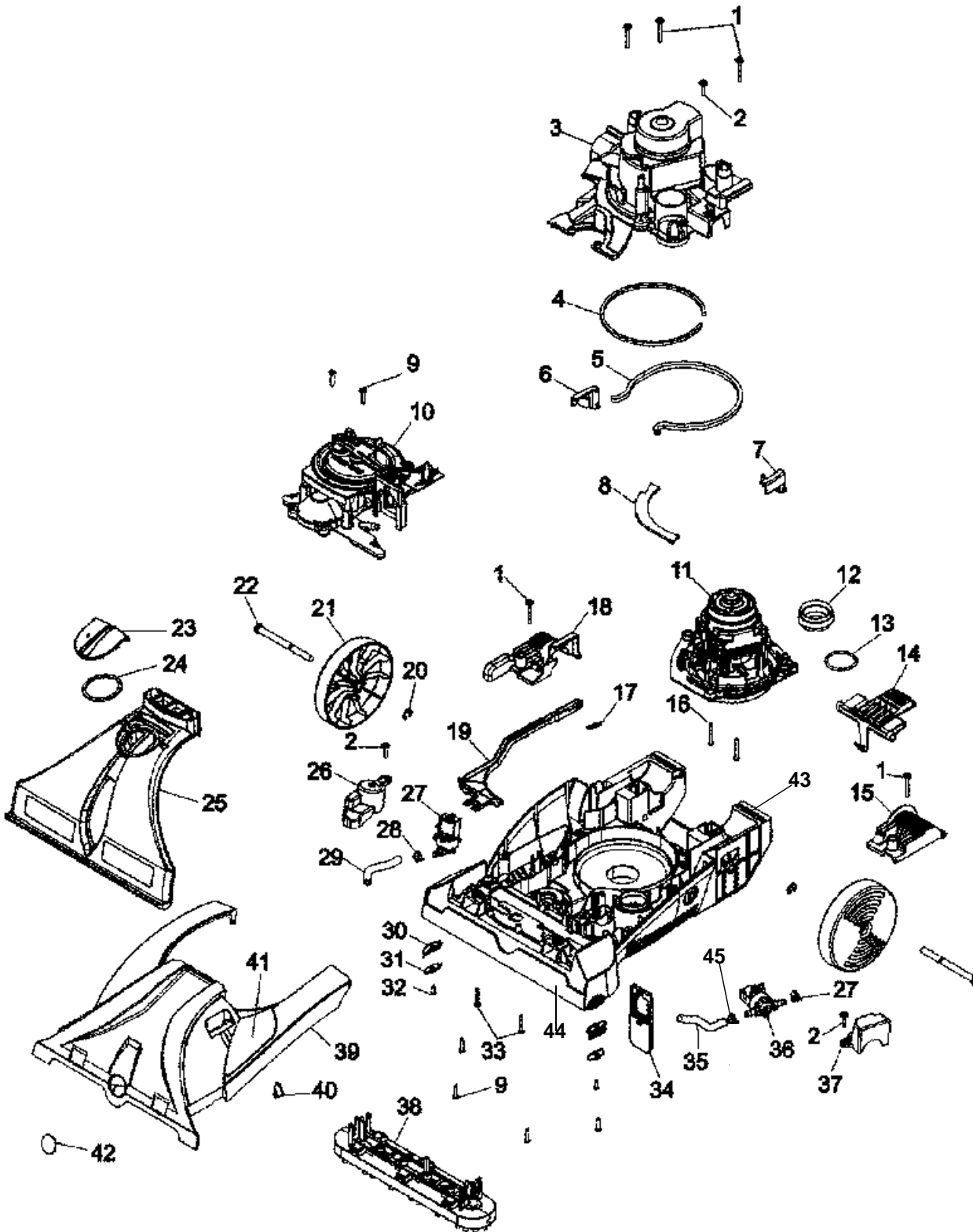


STEAM VAC™
DUAL V™

STEAM VAC™
ALL TERRAIN

15

ASSEMBLY SCHEMATIC



MODEL NO.

- F7222-900
- F7227-900
- F7411-900
- F7412-900
- F7428-900
- F7429-900
- F7452-900
- FH50040



**STEAM VAC™
DUAL V™**

**STEAM VAC™
ALL TERRAIN**

15

PART LISTING / PRICE LIST

MODEL No.

ITEM	PART NUMBER	MODELS To FIT	PART DESCRIPTION	LIST COST
1	23149004	ALL	TAPPING SCREW WITH WASHER	.40
2	23149002	ALL	SCREW - SELF TAPPING	.57
3	37196196	F7222900, F7227900, FH50040	MOTOR COVER	8.80
	37196194	F7411900, F7412900, F7428900, F7429900	MOTOR COVER - SILVER SAND	9.08
		F7452900	MOTOR COVER	N.A.
4	34113004	ALL	MOTOR SEAL	1.12
5	38781067	ALL	BASE MOTOR SEAL	2.26
6	36153097	ALL	DIRTY WATER TANK LATCH - LEFT BLACK	.87
7	36153098	ALL	DIRTY WATER TANK LATCH - RIGHT BLACK	.87
8	38781074	ALL	INNER SEAL	1.12
9	21447217	ALL	SCREW - SELF TAPPING	1.12
10	43191009	F7222900	TURBINE AND GEAR ASSEMBLY - 5 BRUSH MODELS PRIOR TO 12/02 KEEP CAP ON MODELS 12/02 AND AFTER REMOVE CAP ONE PORT ASSEMBLY	41.95
	43191011	F7222900, F7227900, FH50040	TURBINE AND GEAR ASSEMBLY - 5 BRUSH MODELS PRIOR TO 12/02 KEEP CAP ON MODELS 12/02 AND AFTER REMOVE CAP TWO PORT ASSEMBLY	27.67
	43191012	F7411900, F7412900	TURBINE AND GEAR ASSEMBLY - 6 BRUSH	22.67
	43191018	F7428900, F7429900, F7452900	TURBINE AND GEAR ASSEMBLY - 6 BRUSH	29.75
11	27212077	F7222900, F7227900, F7411900, F7412900, F7452900	MOTOR ASSEMBLY	64.73
	27212074	F7428900, F7429900, FH50040	MOTOR ASSEMBLY	56.39
12	38784063	ALL	STANDPIPE SEAL	3.39
13	25156522	F7222900, FH50040	O-RING	1.12
	25156524	F7227900, F7428900, F7429900, FH50040	O-RING	.58
	25156521	F7411900, F7412900, F7452900	O-RING	1.12
14	38434045	F7222900, F7227900, F7428900, F7429900, F7452900, FH50040	HANDLE RELEASE PEDAL	4.76
	38434035	F7411900, F7412900	HANDLE RELEASE PEDAL	3.39

F7222-900
F7227-900
F7411-900
F7412-900
F7428-900
F7429-900
F7452-900
FH50040



**STEAM VAC™
DUAL V™**

**STEAM VAC™
ALL TERRAIN**

15

PART LISTING / PRICE LIST

MODEL No.

ITEM	PART NUMBER	MODELS TO FIT	PART DESCRIPTION	LIST COST
15	36131151	F7222900, F7227900, FH50040	TRUNNION BRACKET - LEFT SILVER SAND	.88
	91001084	F7411900, F7412900	TRUNNION BRACKET - LEFT	1.46
	36131145	F7428900, F7429900, F7452900	TRUNNION BRACKET - LEFT	1.46
16	21479438	ALL	SCREW	1.12
17	38331006	ALL	SPRING - TURBINE ACTUATOR	1.12
18	36131152	F7222900, F7227900, FH50040	TRUNNION BRACKET - RIGHT SILVER SAND	1.12
	36131146	F7411900, F7412900, F7428900, F7429900	TRUNNION BRACKET - RIGHT	1.59
		F7452900	TRUNNION BRACKET - RIGHT	N.A.
19	38458066	ALL	ACTUATOR ARM - TURBINE	2.59
20	160017--	ALL	LOCK RING	.58
21	38522099	F7222900, F7227900, F7428900, F7429900, FH50040	REAR WHEEL	2.11
	38522083	F7411900, F7412900	REAR WHEEL	2.82
	38522095	F7452900	REAR WHEEL	4.53
22	32434013NC	F7222900, F7227900, FH50040	REAR AXLE	PENDING
	32436004	F7411900, F7412900, F7428900, F7429900, F7452900	REAR AXLE	1.75
23	92001325	F7222900, F7227900, F7428900, F7429900, F7452900, FH50040	TOOL PORT DOOR - CLEAR	1.46
	91001091	F7411900, F7412900	TOOL PORT DOOR	1.12
24	38784091	ALL	TOOL PORT DOOR SEAL	1.46
25	43411019	F7222900, F7227900, FH50040	NOZZLE ASSEMBLY - 5 BRUSH	26.31
	43411020	F7411900, F7412900, F7428900, F7429900, F7452900	NOZZLE ASSEMBLY - 6 BRUSH	31.30
26	37278014	F7222900, F7227900, F7428900, F7429900, FH50040	SOLENOID COVER - RIGHT	.83
	37278013	F7411900, F7412900, F7452900	SOLENOID COVER - RIGHT	1.12
27	25686057	ALL	SOLENOID VALVE - GRAVITY	11.33
28	25411015	ALL	HOSE CLAMP	1.12

F7222-900
F7227-900
F7411-900
F7412-900
F7428-900
F7429-900
F7452-900
FH50040



**STEAM VAC™
DUAL V™**

**STEAM VAC™
ALL TERRAIN**

15

PART LISTING / PRICE LIST

MODEL No.

ITEM	PART NUMBER	MODELS To FIT	PART DESCRIPTION	LIST COST
29	90001101	ALL	TUBING - 6.75" LONG	1.13
30	39511014	ALL	GROOMERS - LIME GREEN	.56
31	36131144	ALL	GROOMERS PLATE	.89
32	21447217	ALL	SCREW - SELF TAPPING	1.12
33	21447268	ALL	SCREW	N.L.A.
34	43613018	ALL	FILTER AND SCREEN ASSEMBLY	4.19
	90001294	ALL	TANK SCREEN	3.39
35	90001101	ALL	TUBING - 6.75" LONG	1.13
36	25686056	ALL	SOLENOID VALVE - PRESSURE	11.33
37	37278015	F7222900, F7227900, F7428900, F7429900, FH50040	SOLENOID COVER - LEFT	N.A.
	91001093	F7411900, F7412900, F7452900	SOLENOID COVER - LEFT	N.A.
38	48437029	F7222900, F7227900, FH50040	BRUSH BLOCK - 5 BRUSH	26.07
	48437030	F7411900, F7412900, F7428900, F7429900, F7452900	BRUSH BLOCK - 6 BRUSH	27.21
	48437034	F7428900, F7452900	BRUSH BLOCK - BARE FLOOR - 6 BRUSH	31.17
	48417006	F7411900, F7412900, F7428900, F7429900	BARE FLOOR TOOL - 6 BRUSH	9.06
	92001262	F7411900, F7412900, F7428900, F7429900, F7452900	HARD FLOOR SQUEEGEE	6.79
39	37271138	F7222900	HOOD / NOZZLE COVER - BRITE CRIMSON	17.00
	37271105	F7227900	HOOD / NOZZLE COVER - PEWTER METALLIC	N.L.A.
	37271130	F7411900	HOOD / NOZZLE COVER - PLUM	N.A.
	37271139	F7412900, F7428900	HOOD / NOZZLE COVER - BLACK	12.11
	37271166	F7429900	HOOD / NOZZLE COVER - EARTH GREEN	N.A.
	92001328	F7452900	HOOD / NOZZLE COVER - PATRIOT BLUE	14.46
	37271092	FH50040	HOOD / NOZZLE COVER - BLACK	31.74
40	38421114	ALL	INDICATOR KNOB - TRANSPARENT LIGHT RED	.53
41	51865029	F7222900, F7227900, FH50040	LABEL - BRUSH SPEED	.89
	51865037	F7411900, F7412900, F7429900	LABEL - BRUSH SPEED	N.A.
	51865036	F7428900 F7452900	LABEL - BRUSH	.89
42	51661020	ALL	MEDALLION	1.46

F7222-900
F7227-900
F7411-900
F7412-900
F7428-900
F7429-900
F7452-900
FH50040



STEAM VAC™
DUAL V™

STEAM VAC™
ALL TERRAIN

15

PART LISTING / PRICE LIST

ITEM	PART NUMBER	MODELS To FIT	PART DESCRIPTION	LIST COST
43	37272126	F7222900, F7227900	BODY / NOZZLE BASE - 5 BRUSH	23.80
	37272131	FH50040	BODY / NOZZLE BASE - 5 BRUSH	PENDING
	37272123	F7411900, F7412900, F7428900, F7429900, F7452900	BODY / NOZZLE BASE - 6 BRUSH	31.74
44	91001088	F7411900, F7412900, F7428900, F7429900, F7452900	BRUSH BLOCK HOUSING - 6 BRUSH	7.36
45	25411017	ALL	HOSE CLAMP	1.12

MODEL No.

F7222-900
F7227-900
F7411-900
F7412-900
F7428-900
F7429-900
F7452-900
FH50040

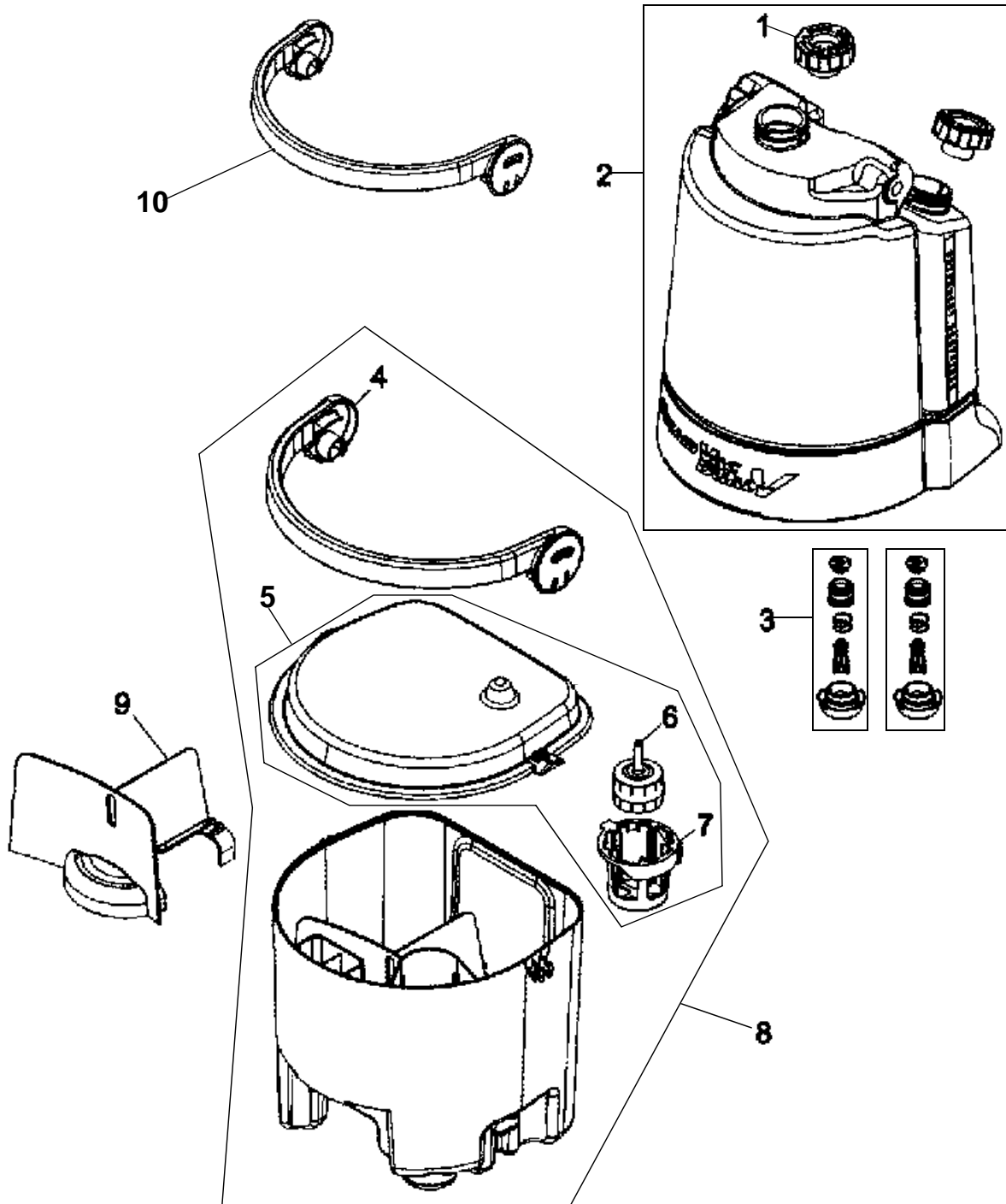


**STEAM VAC™
DUAL V™**

**STEAM VAC™
ALL TERRAIN**

15

ASSEMBLY SCHEMATIC



MODEL NO.

F7222-900
F7227-900
F7411-900
F7412-900
F7428-900
F7429-900
F7452-900
FH50040



STEAM VAC™
DUAL V™

STEAM VAC™
ALL TERRAIN

15

PART LISTING / PRICE LIST

ITEM	PART NUMBER	MODELS TO FIT	PART DESCRIPTION	LIST COST
1	42272138	F7222900, F7452900	THREADED CAP - SCREW ON	N.L.A.
	42272174	ALL	THREADED CAP - TWIST ON / NEW STYLE	5.13
2	90001295	F7222900, F7452900	C. WATER / SOLUTION TANK - OLD STYLE ORDER 42272104SP	N.L.A.
	42272104SP	ALL	C. WATER / SOLUTION TANK - NEW STYLE	45.35
3	43513026	ALL	VALVE ASSEMBLY	7.18
4	39457069	F7222900, F7411900, F7412900, F7428900, F7429900, FH50040	DIRTY WATER TANK CARRYING HANDLE - SANDSTONE GRAY	2.26
	39457067	F7227900	DIRTY WATER TANK CARRYING HANDLE - LEGACY PURPLE SUB: ORDER 39457043 BLACK	2.26
	39457043	F7452900	DIRTY WATER TANK CARRYING HANDLE - BLACK	2.26
5	42272166	ALL	DIRTY WATER TANK LID ASSEMBLY WITH FLOAT	17.00
6	43538002	ALL	FLOAT ASSEMBLY	2.59
7	38719043	ALL	FLOAT RETAINER	2.59
8	42272172	ALL	DIRTY WATER TANK ASSEMBLY COMPLETE	34.01
9	38769033	ALL	DIRTY WATER TANK BAFFLE	1.05
10	39457068	F7222900, F7411900, F7412900, F7428900, F7429900, FH50040	HANDLE / LATCH - C.W. / SOLUTION TANK - SANDSTONE GRAY	6.79
	39457066	F7227900	HANDLE / LATCH - C.W. / SOLUTION TANK - LEGACY PURPLE	3.73
	39457062	F7452900	HANDLE / LATCH - C.W. / SOLUTION TANK - PATRIOT BLUE	4.53

MODEL No.

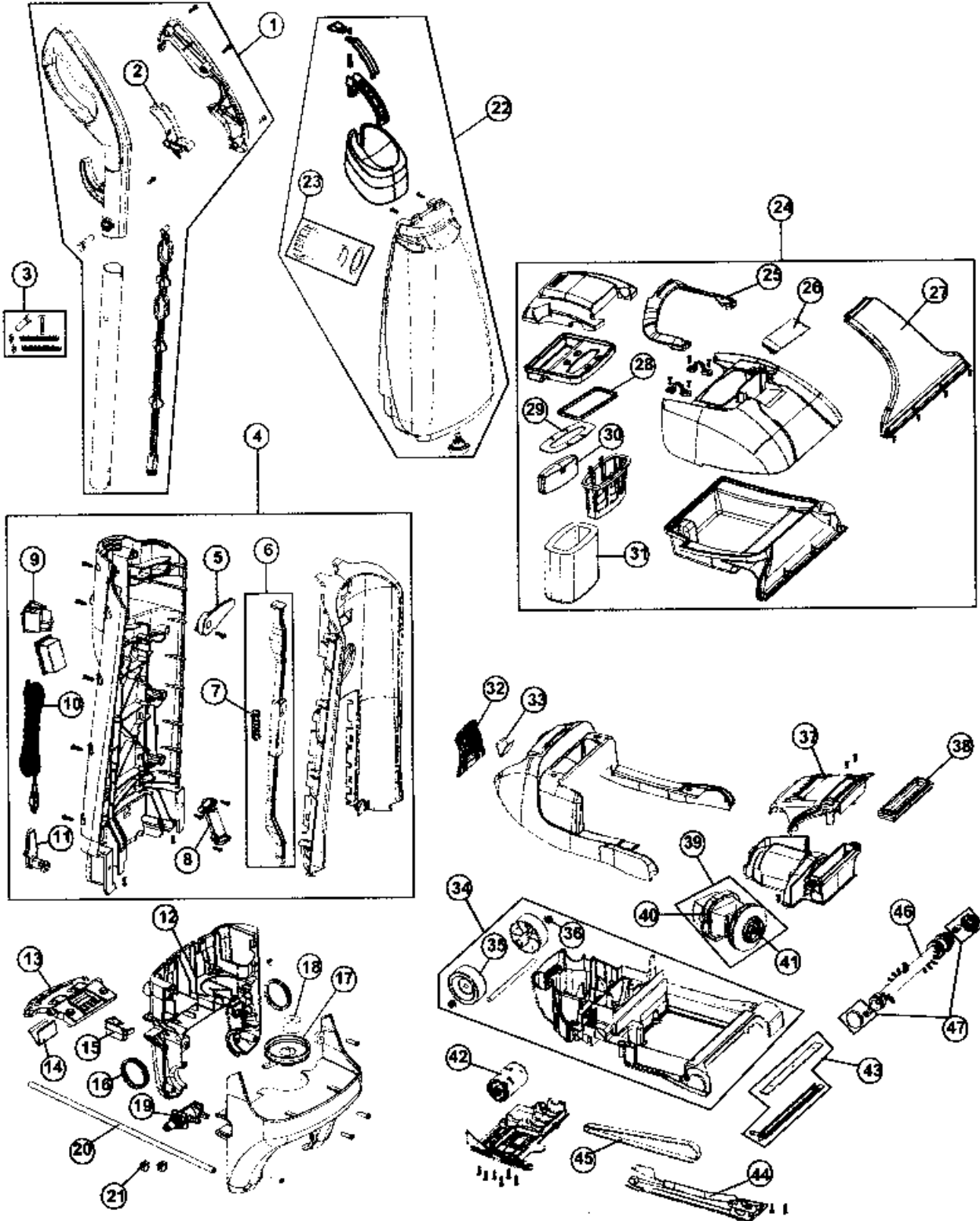
F7222-900
F7227-900
F7411-900
F7412-900
F7428-900
F7429-900
F7452-900
FH50040



ASSEMBLY SCHEMATIC

MODEL NO.

FH50010
FH50030





PART LISTING / PRICE LIST

Item	Part Number	Model's To Fit	Part Description	List Cost
1	2VQ1605000	FH50010, FH50030	UPPER HANDLE ASSEMBLY	13.47
2	1700625900	FH50010, FH50030	TRIGGER	.93
3	2VQ1900000	FH50010, FH50030	SCREW PACKAGE	.93
4	300434054	FH50010, FH50030	BACK PANEL ASSEMBLY	PEND
5	1VQ1525600	FH50010, FH50030	STRAIN RELIEF	.93
6	1VQ1520600	FH50010, FH50030	LOWER HANDLE ROD w/SPRING	1.56
7	1700525000	FH50010, FH50030	SPRING - LOWER HANDLE ROD	.93
8	1710507600	FH50010, FH50030	WIRE CONNECTOR COVER	.93
9	760729002	FH50010, FH50030	SWITCH	PEND
10	1700542600	FH50010, FH50030	25' POWER CORD	13.50
11	1720120600	FH50010, FH50030	CORD HOOK	.40
12	1710502600	FH50010, FH50030	LOWER BACK PANEL - BLACK	32.07
13	1700135B00	FH50010, FH50030	HANDLE RELEASE PEDAL / LOCK	1.54
14	1700142000	FH50010, FH50030	SPRING - HANDLE RELEASE PEDAL / LOCK	.58
15	1700574600	FH50010, FH50030	VALVE COVER - BLACK	.93
16	1700510000	FH50010, FH50030	LOWER HANDLE PIVOT RINGS	.61
17	1710580000	FH50010, FH50030	VALVE ADAPTOR PLATE - CLEAN WATER TANK	1.40
18	1700595600	FH50010, FH50030	FOAM - VALVE PLATE ADAPTOR	.30
19	2700575700	FH50010, FH50030	VALVE ASSEMBLY	4.48
20	1700567600	FH50010, FH50030	21" RUBBER TUBING	.70
21	1700568000	FH50010, FH50030	CLAMP - WATER TUBE	.93
22	300250040	FH50010, FH50030	CLEAN WATER TANK ASSEMBLY	PEND
23	2700805B00	FH50010, FH50030	FILL CUP - CLEAN WATER TANK	2.87
24	302135015	FH50010, FH50030	DIRTY WATER TANK ASSEMBLY	PEND
25	1700730600	FH50010, FH50030	HANDLE - DIRTY WATER TANK BLACK	2.42
26	2700755Q00	FH50010, FH50030	HOSE DOOR COVER - DIRTY WATER TANK	2.87
27	346221010	FH50010, FH50030	NOZZLE - DIRTY WATER TANK	PEND
28	1700725600	FH50010, FH50030	SEAL - DIRTY WATER TANK COVER	2.40
29	1700760600	FH50010, FH50030	FLOAT SEAL - DIRTY WATER TANK	.40
30	1700740900	FH50010, FH50030	FLOAT - DIRTY WATER TANK	1.63
31	1700750600	FH50010, FH50030	FOAM FILTER - DIRTY WATER TANK	2.27
32	1700735B00	FH50010, FH50030	LATCH - DIRT WATER TANK	.91
33	1700140000	FH50010, FH50030	SPRING - DIRTY WATER COVER LATCH	.40
34	2710100600	FH50010, FH50030	BASE ASSEMBLY w/ REAR WHEELS - BLACK	17.07
35	1VQ1103600	FH50010, FH50030	REAR WHEEL	.93
36	1VQ1100600	FH50010, FH50030	WHEEL HUB CAP	.93

MODEL No.

FH50010
FH50030



SteamVac™
Carpet Cleaner

15

PART LISTING / PRICE LIST

Item	Part Number	Model's To Fit	Part Description	List Cost
37	1700125600	FH50010, FH50030	MOTOR COVER - BLACK	2.57
38	1710230600	FH50010, FH50030	SEAL - MOTOR FAN HOUSING	5.70
39	2700212000	FH50010, FH50030	MOTOR ASSEMBLY	65.41
40	1700210600	FH50010, FH50030	MOTOR MOUNT - REAR	5.04
41	1700270000	FH50010, FH50030	FAN NUT	.93
42	1700301000	FH50010, FH50030	BRUSH MOTOR	23.32
43	2700150600	FH50010, FH50030	SPRAY PLATE	.93
44	1700115600	FH50010, FH50030	BELT COVER - BLACK	2.13
45	1400615600	FH50010, FH50030	STYLE 7 BELT	1.50
46	2710320000	FH50010, FH50030	BRUSH ROLL ASSEMBLY	9.65
47	2700327000	FH50010, FH50030	BRUSH BEARING / END CAPS	1.50

MODEL No.

FH50010
FH50030



SteamVac™

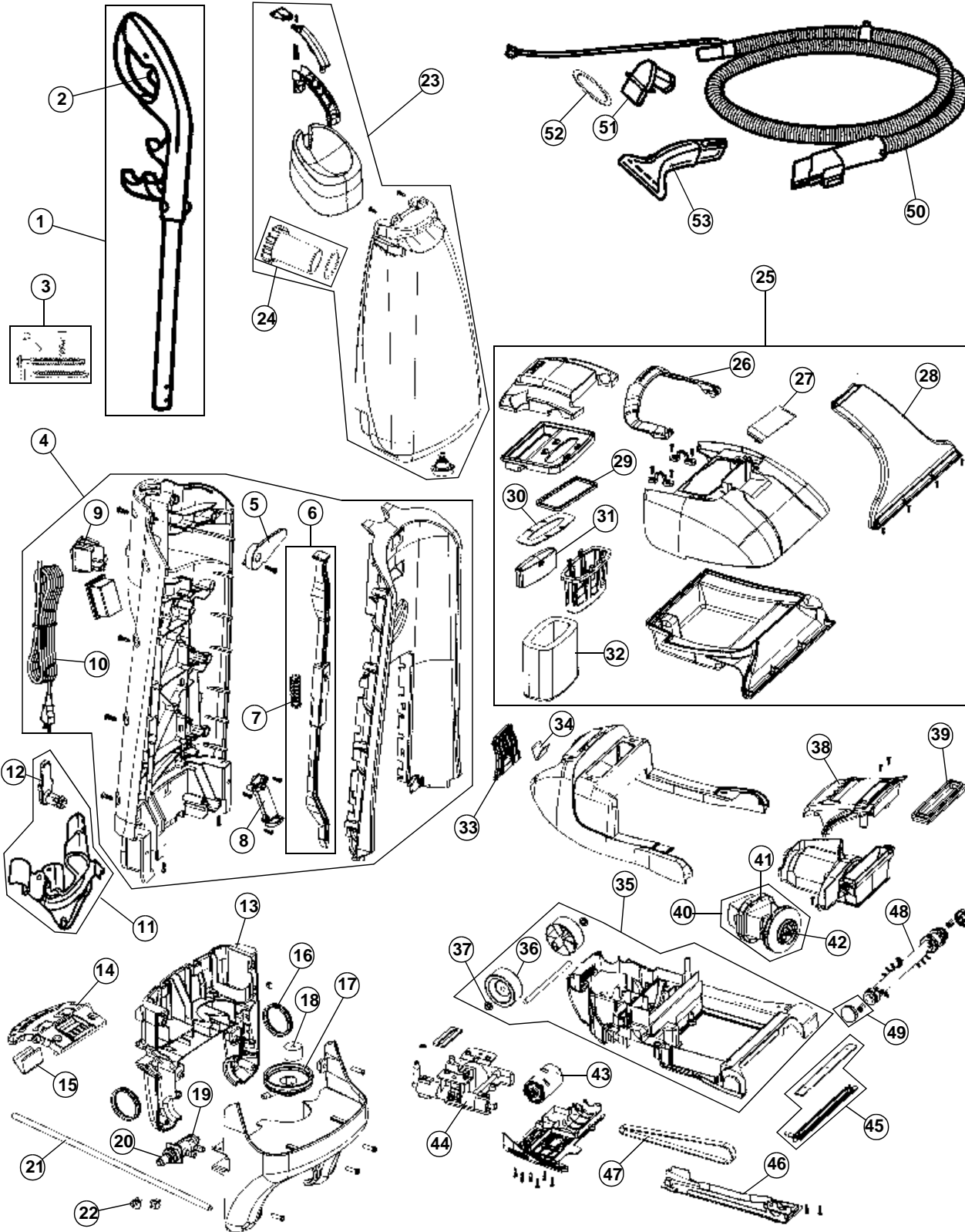
Carpet Cleaner

15

ASSEMBLY SCHEMATIC

MODEL NO.

FH50035





PART LISTING / PRICE LIST

MODEL No.
FH50035

Item	Part Number	Model's To Fit	Part Description	List Cost
1	300067613	FH50035	UPPER HANDLE ASSEMBLY	PEND
2	1700625900	FH50035	TRIGGER	.93
3	2VQ1900000	FH50035	SCREW PACKAGE	.93
4	300434058	FH50035	BACK PANEL ASSEMBLY	PEND
5	1VQ1525600	FH50035	STRAIN RELIEF	.93
6	1VQ1520600	FH50035	LOWER HANDLE ROD w/SPRING	1.56
7	1700525000	FH50035	SPRING - LOWER HANDLE ROD	.93
8	1710507600	FH50035	WIRE CONNECTOR COVER	.93
9	760729001	FH50035	SWITCH	PEND
10	1700542600	FH50035	25' POWER CORD	13.50
11	1VQ1515600	FH50035	TOOL CADDY WITH CORD HOOK	4.48
12	1720120600	FH50035	CORD HOOK	.40
13	1710502600	FH50035	LOWER BACK PANEL - BLACK	32.07
14	1700135B00	FH50035	HANDLE RELEASE PEDAL / LOCK	1.54
15	1700142000	FH50035	SPRING - HANDLE RELEASE PEDAL / LOCK	.58
16	1700510000	FH50035	LOWER HANDLE PIVOT RINGS	.61
17	1710580000	FH50035	VALVE ADAPTOR PLATE - CLEAN WATER TANK	1.40
18	1700595600	FH50035	FOAM - VALVE PLATE ADAPTOR	.30
19	2700575700	FH50035	VALVE ASSEMBLY	4.48
20	1770140000	FH50035	PORT CONNECTOR	3.21
21	1700567600	FH50035	21" RUBBER TUBING	.70
22	1700568000	FH50035	CLAMP - WATER TUBE	.93
23	300250040	FH50035	CLEAN WATER TANK ASSEMBLY	PEND
24	2700805B00	FH50035	FILL CUP - CLEAN WATER TANK	2.87
25	302135015	FH50035	DIRTY WATER TANK ASSEMBLY	PEND
26	1700730600	FH50035	HANDLE - DIRTY WATER TANK BLACK	2.42
27	2700755Q00	FH50035	HOSE DOOR WITH SEAL - DIRTY WATER TANK	2.87
28	346221010	FH50035	NOZZLE - DIRTY WATER TANK	PEND
29	1700725600	FH50035	SEAL - DIRTY WATER TANK COVER	2.40
30	1700760600	FH50035	FLOAT SEAL - DIRTY WATER TANK	.40
31	1700740900	FH50035	FLOAT - DIRTY WATER TANK	1.63
32	1700750600	FH50035	FOAM FILTER - DIRTY WATER TANK	2.27
33	1700735B00	FH50035	LATCH - DIRT WATER TANK	.91
34	1700140000	FH50035	SPRING - DIRTY WATER COVER LATCH	.40
35	2710100600	FH50035	BASE ASSEMBLY W/ REAR WHEELS - BLACK	17.07



SteamVac™
Carpet Cleaner

15

PART LISTING / PRICE LIST

MODEL No.
FH50035

Item	Part Number	Model's To Fit	Part Description	List Cost
36	1VQ1103600	FH50035	REAR WHEEL	.93
37	1VQ1100600	FH50035	WHEEL HUB CAP	.93
38	1700125600	FH50035	MOTOR COVER - BLACK	2.57
39	1710230600	FH50035	SEAL - MOTOR FAN HOUSING	5.70
40	2700212000	FH50035	MOTOR ASSEMBLY	65.41
41	1700210600	FH50035	MOTOR MOUNT - REAR	5.04
42	1700270000	FH50035	FAN NUT	.93
43	1700301000	FH50035	BRUSH MOTOR	23.32
44	1710400000	FH50035	PUMP	24.46
45	2700150600	FH50035	SPRAY PLATE	.93
46	1700115600	FH50035	BELT COVER - BLACK	2.13
47	1400615600	FH50035	STYLE 7 BELT	1.50
48	2710320000	FH50035	BRUSH ROLL ASSEMBLY	9.65
49	2700327000	FH50035	BRUSH BEARING / END CAPS	1.50
50	2771103000	FH50035	8' HOSE ASSEMBLY	18.25
51	2770110600	FH50035	ADAPTOR - HOSE / DIRTY WATER TANK	1.73
52	1700758600	FH50035	SEAL - ADAPTOR	.93
53	2771600600	FH50035	UPHOLSTERY NOZZLE TOOL	14.89

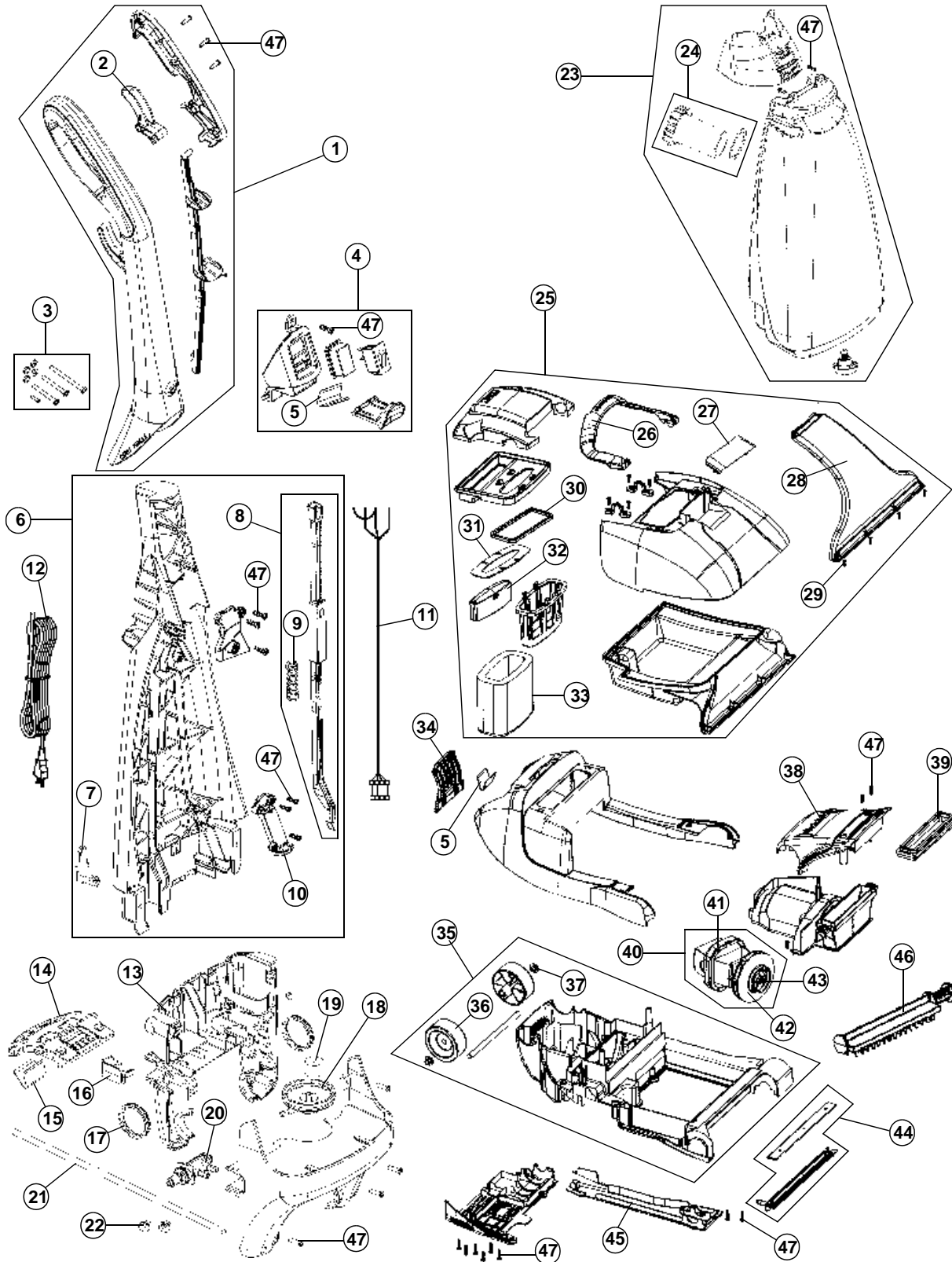


Quick & Light™

15

ASSEMBLY SCHEMATIC

MODEL NO.
FH50005





Quick & Light™

15

PART LISTING / PRICE LIST

MODEL No.

FH50005

Item	Part Number	Model's To Fit	Part Description	List Cost
1	300067140	FH50005	UPPER HANDLE ASSEMBLY	PEND
2	1700625900	FH50005	TRIGGER	.93
3	2710673600	FH50005	HANDLE SCREW ASSEMBLY	1.55
4	302139011	FH50005	SWITCH PLATE ASSEMBLY	PEND
5	1700140000	FH50005	SPRING - CW TANK / DW TANK LATCH	.40
6	300434062	FH50005	BACK PANEL ASSEMBLY	PEND
7	1720120600	FH50005	CORD HOOK - BLACK	.40
8	1VQ1520600	FH50005	LOWER HANDLE ROD w/SPRING	1.56
9	1700525000	FH50005	SPRING - LOWER HANDLE ROD	.93
10	1710507600	FH50005	WIRE CONNECTOR COVER	.93
11	1710530000	FH50005	UPPER WIRE HARNESS	1.60
12	1700542600	FH50005	POWER CORD - 25 FT	13.50
13	1710502600	FH50005	LOWER HANDLE BOTTOM - BLACK	32.07
14	1700135B00	FH50005	HANDLE RELEASE PEDAL / LOCK	1.54
15	1700142000	FH50005	SPRING - HANDLE RELEASE PEDAL / LOCK	.58
16	1700574600	FH50005	VALVE COVER - BLACK	.93
17	1700510000	FH50005	LOWER HANDLE PIVOT RING	.61
18	1710580000	FH50005	VALVE ADAPTOR PLATE	1.40
19	1700595600	FH50005	TANK ADAPTER SCREEN	.30
20	2700575700	FH50005	VALVE ASSEMBLY	4.48
21	1700567600	FH50005	21" TUBING VALVE/SPRAY PLATE	.70
22	1700568000	FH50005	CLAMP - WATER TUBE	.93
23	300250046	FH50005	CLEAN WATER BOTTLE ASSEMBLY	PEND
24	2700805B00	FH50005	FILL CUP - CLEAN WATER TANK	2.87
25	302135015	FH50005	DIRTY WATER TANK ASSEMBLY	PEND
26	1700730600	FH50005	HANDLE - DIRTY WATER TANK BLACK	2.42
27	2700755Q00	FH50005	HOSE DOOR WITH SEAL - DIRTY WATER TANK	2.87
28	346221010	FH50005	NOZZLE - DIRTY WATER TANK	PEND
29	1700155000	FH50005	SCREW	.15
30	1700725600	FH50005	SEAL - DIRTY WATER TANK COVER	2.40
31	1700760600	FH50005	FLOAT SEAL - DIRTY WATER TANK	.40
32	1700740900	FH50005	FLOAT - DIRTY WATER TANK	1.63
33	1700750600	FH50005	FOAM FILTER - DIRTY WATER TANK	2.27
34	1700735B00	FH50005	LATCH - DIRT WATER TANK	.91
35	2710100600	FH50005	BASE ASSEMBLY w/ REAR WHEELS - BLACK	17.07
36	1VQ1103600	FH50005	REAR WHEEL	.93



Quick & Light™

15

PART LISTING / PRICE LIST

Item	Part Number	Model's To Fit	Part Description	List Cost
37	1VQ1100600	FH50005	WHEEL HUB CAP	.93
38	1700125600	FH50005	MOTOR COVER BASE - BLACK	2.57
39	1710230600	FH50005	SEAL - MOTOR FAN HOUSING	5.70
40	9710212000	FH50005	MOTOR ASSEMBLY	51.55
41	1700210600	FH50005	MOTOR MOUNT - REAR	5.04
42	2710240600	FH50005	FAN ASSEMBLY	4.48
43	1700270000	FH50005	FAN NUT	.93
44	2700150600	FH50005	SPRAY PLATE ASSEMBLY	.93
45	1700115600	FH50005	BASE BELT COVER - BLACK	2.13
46	2771705000	FH50005	BRUSH BAR ASSEMBLY	4.48
47	1700130000	FH50005	SCREW	.15

MODEL No.

FH50005

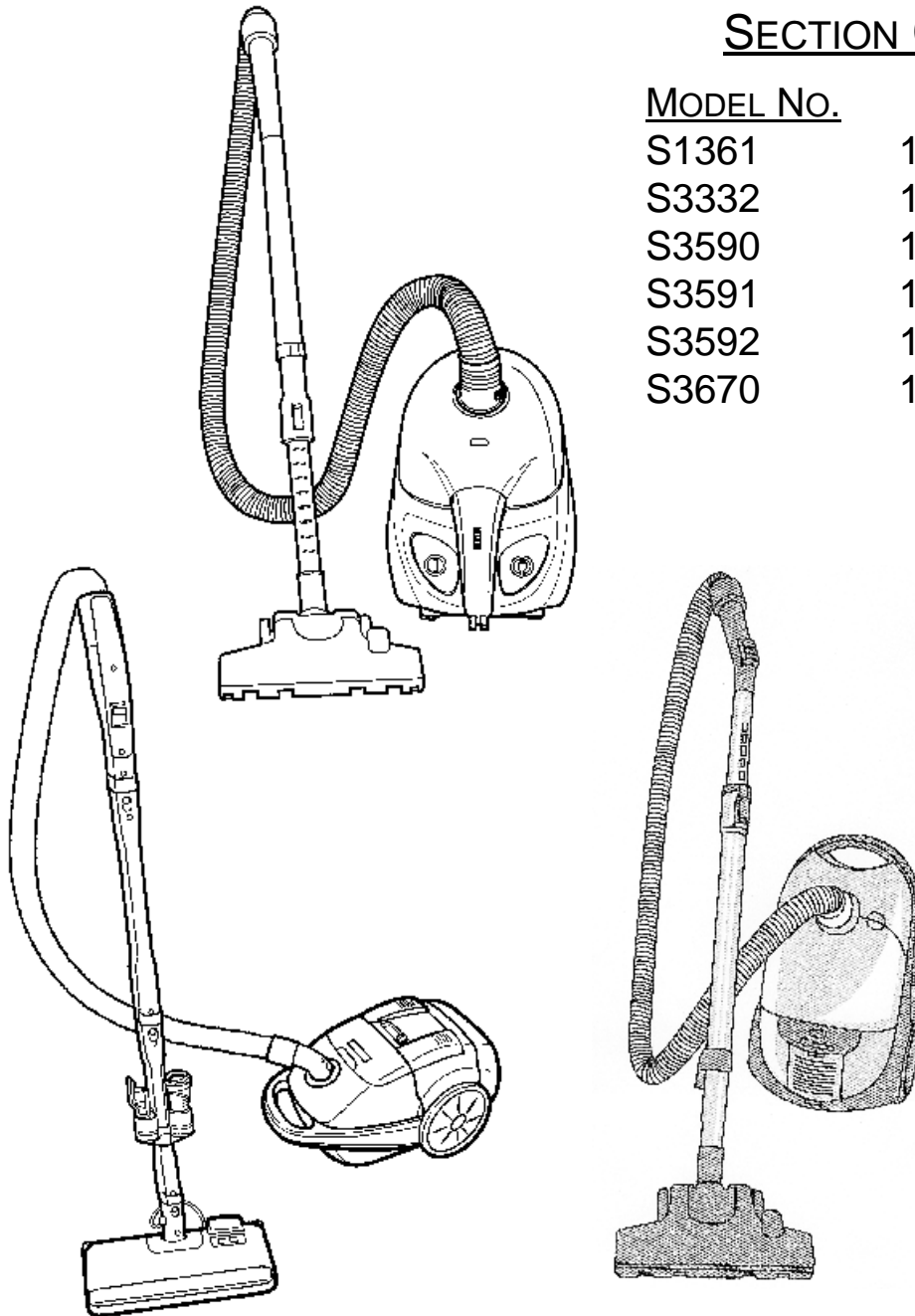


SECTION CONTENTS

<u>MODEL NO.</u>	<u>PAGE NO.</u>
S1361	16-2 THRU 16-4
S3332	16-5 THRU 16-7
S3590	16-8 THRU 16-14
S3591	16-8 THRU 16-14
S3592	16-8 THRU 16-14
S3670	16-15 THRU 16-18

MODEL NO.

- S1361
- S3332
- S3590
- S3591
- S3592
- S3670



- * PRICING, SPECIFICATION'S, AND PRODUCT AVAILABILITY ARE SUBJECT TO CHANGE WITHOUT NOTICE. PRICING IS FOB FACTORY, CANTON, OH
- * ALL INFORMATION CONTAINED WITHIN THIS SERVICE MANUAL IS PROPRIETARY INFORMATION OF TTI FLOOR CARE NORTH AMERICA.
- * **WARNING:** TO REDUCE THE RISK OF ELECTRICAL SHOCK OR INJURY, ALWAYS DISCONNECT THE APPLIANCE CORD FROM THE ELECTRICAL OUTLET OR REMOVE BATTERY PRIOR TO SERVICING THE UNIT.



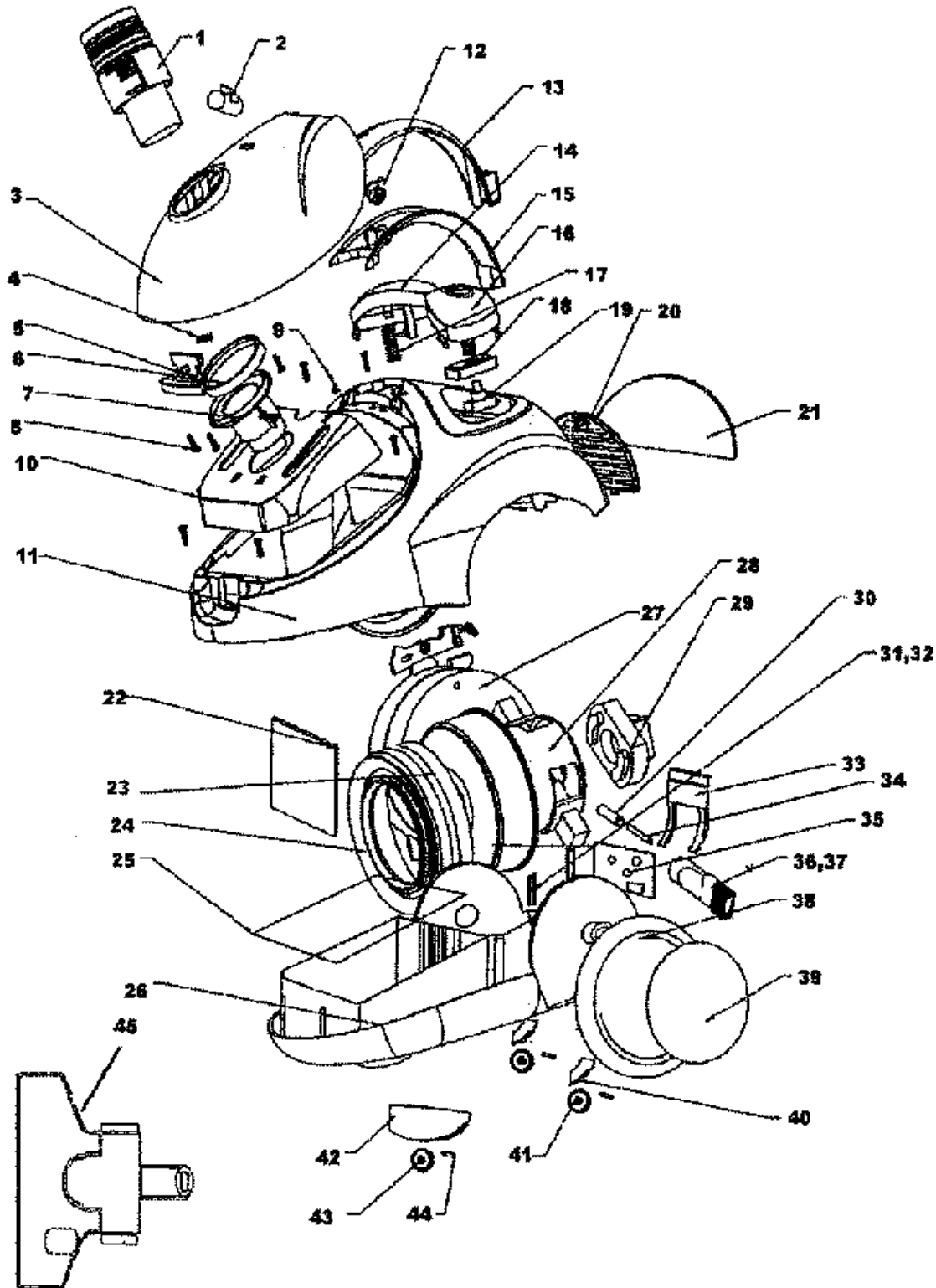
canister

16

ASSEMBLY SCHEMATIC

MODEL NO.

S1361





canister

16

PART LISTING / PRICE LIST

MODEL No.

S1361

ITEM	PART NUMBER	MODELS TO FIT	PART DESCRIPTION	LIST COST
1	59135248	S1361	HOSE ASSEMBLY	18.13
2	59135215	S1361	FULL BAG INDICATOR	2.26
3	59135216	S1361	BAG COVER DOOR	9.74
4	59135217	S1361	BAG DOOR LATCH SPRING	1.46
5	59135218	S1361	BAG DOOR LATCH	1.12
6		S1361	HOSE CONNECT SEAL	N.A.
7		S1361	HOSE CONNECT TUBE	N.A.
8	59135205	S1361	SCREW	.57
9	59135220	S1361	DOOR SPRING WEDGE	1.12
10	59135207	S1361	BAG HOLDER	2.59
11	59135211	S1361	UPPER HOUSING	9.87
12	59135212	S1361	SPEED CONTROL KNOB	1.12
13	59135214	S1361	UPPER HANDLE	4.53
14	59135200	S1361	CORD REEL PEDAL	4.53
15	59135213	S1361	LOWER HANDLE	4.53
16	59135201	S1361	SWITCH PEDAL	4.53
17	59135202	S1361	PEDAL SPRING	1.46
18	59135209	S1361	SWITCH COVER	1.12
19	59135210	S1361	SWITCH	2.26
20	59135203	S1361	EXHAUST GRILL	1.12
21	59135204	S1361	EXHAUST FILTER	1.04
22	59135238	S1361	SECONDARY / INLET FILTER	1.04
23	59135223	S1361	FOAM MOTOR SEAL	5.66
24	59135230	S1361	MOTOR SEAL	1.12
25	59135237	S1361	BAG LID SEAL	1.12
26	59135247	S1361	LOWER HOUSING	15.87
27	59135229	S1361	CORD REEL	32.88
28	59135222	S1361	MOTOR	42.70
29	59135221	S1361	UPPER MOTOR MOUNT	2.26
30	59135243	S1361	CORD INLET ROLLER	1.12
31	59135225	S1361	WIRE SEAL - LONG	1.12
32	59135236	S1361	WIRE SEAL - SHORT	1.12
33	59135226	S1361	CORD GUIDE	1.12
34	59135244	S1361	ROLLER PIN	1.12
35	59135227	S1361	SPEED CONTROL BOARD	9.06
36	59135231	S1361	CREVICE TOOL	3.39



canister

16

PART LISTING / PRICE LIST

MODEL No.

S1361

ITEM	PART NUMBER	MODELS TO FIT	PART DESCRIPTION	LIST COST
37	59135232	S1361	BRUSH	1.12
38	59135245	S1361	REAR WHEEL	4.53
39	59135246	S1361	WHEEL COVER	1.12
40	59135234	S1361	WHEEL CARRIAGE	1.12
41	59135235	S1361	LOWER REAR WHEEL	1.12
42		S1361	NOT AVAILABLE	N.A.
43	59135239	S1361	CASTER WHEEL	1.12
44	59135240	S1361	CASTER WHEEL AXLE	1.12
45	59136026	S1361	FLOOR NOZZLE COMPLETE	9.74
	59136049	S1361	FLOOR NOZZLE BRUSH	1.12
	59135249	S1361	TELESCOPIC EXTENSION TUBE	27.21
	59135233	S1361	SCREW WHEEL CARRIAGE	.57
	59135224	S1361	INSULATION PAPER	1.12
	59135219	S1361	SCREW HANDLE	.57
	59135208	S1361	SCREW COVER	.57
	40101002	S1361	TYPE R-30 FILTER BAG - 5 PACK + 2 FILTERS	2.99 <small>NON DISC</small>



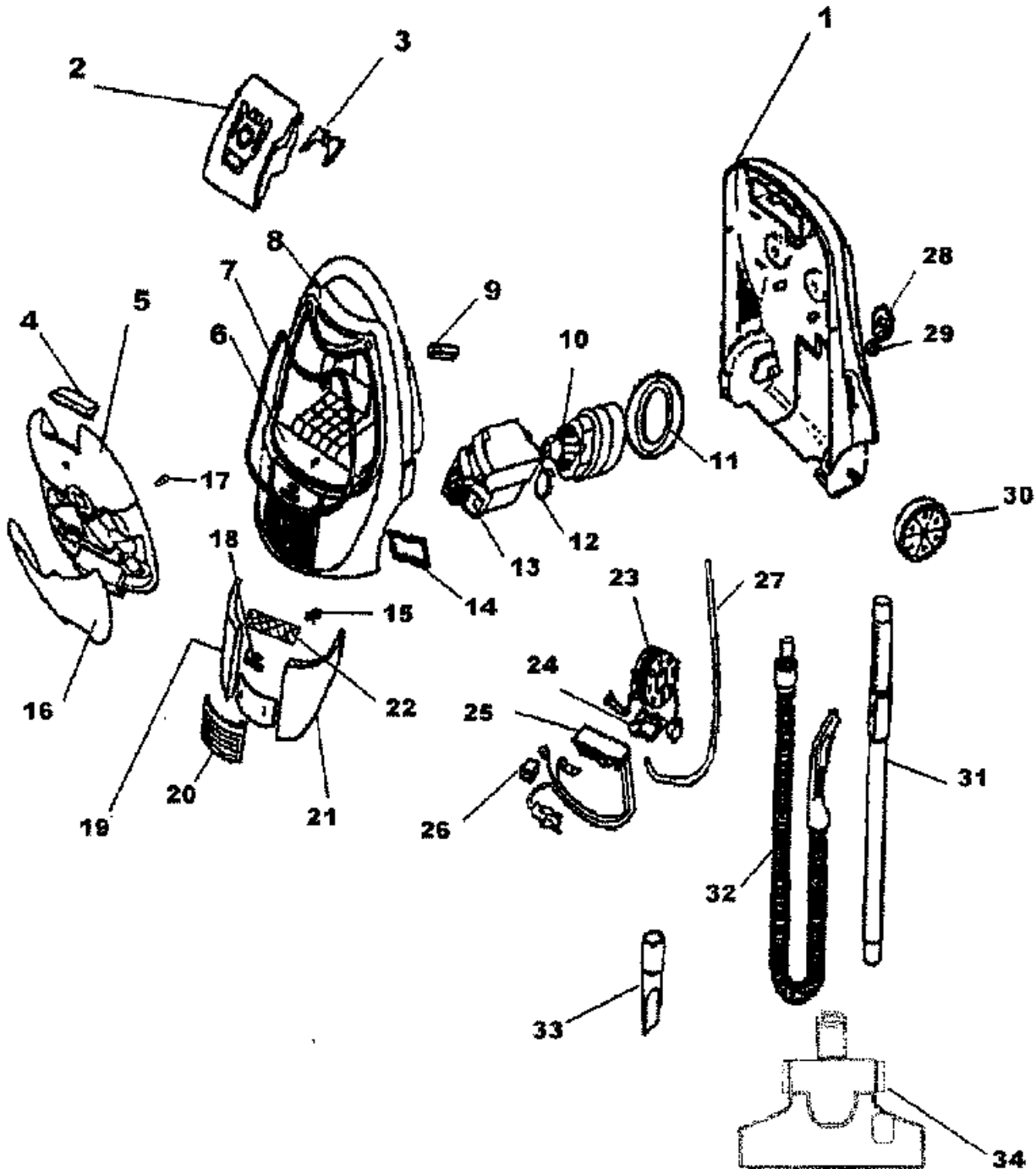
télios™

16

ASSEMBLY SCHEMATIC

MODEL NO.

S3332





télios™

16

PART LISTING / PRICE LIST

MODEL No.

S3332

ITEM	PART NUMBER	MODELS TO FIT	PART DESCRIPTION	LIST COST
1	59135008	S3332	LOWER BODY BASE ASSEMBLY	15.87
2	40101001	S3332	TYPE H-30 FILTER BAGS - 5 PACK + 3 FILTERS	4.99 NON DISC
3	59135039	S3332	BAG HOLDER	N.L.A.
4	59135015	S3332	BAG DOOR LATCH	1.12
5	59135013	S3332	BAG DOOR - METALLIC RED	9.74
6	59135054	S3332	CONTROL PANEL	4.07
7	59135025	S3332	BAG DOOR SEAL	1.12
8	59135007	S3332	UPPER BODY WITH HANDLE	22.67
9	59135026	S3332	BAG CHECK INDICATOR	1.81
10	59135005	S3332	MOTOR	68.03
11	59135004	S3332	FAN CASE SEAL	5.66
12	59135006	S3332	REAR MOTOR MOUNT	1.12
13	59135055	S3332	MOTOR HOUSING	7.48
14	59135024	S3332	MOTOR HOUSING SEAL	1.12
15	59135037	S3332	PEDAL SPRING	1.12
16	59135034	S3332	TOOL COVER - METALLIC RED	7.48
17	59135036	S3332	SPRING	1.12
18	59135056	S3332	SPEED CONTROL KNOB	1.12
19	59135050	S3332	ON/OFF PEDAL - METALLIC RED	4.53
20	59135032	S3332	FILTER COVER - METALLIC RED	2.94
21	59135052	S3332	CORD REEL PEDAL - RED	4.53
22		S3332	NOISE REDUCER	N.A.
23	59135060	S3332	CORD REEL COMPLETE	32.88
24	59135038	S3332	PLUG POCKET	1.12
25	59135030	S3332	SPEED CONTROL MODULE	19.83
26	59135031	S3332	PUSH SWITCH	4.53
27	59135029	S3332	BAG CHECK INDICATOR TUBE	1.12
28	59135012	S3332	CASTER WHEEL SUPPORT	1.12
29	59135011	S3332	TIRE AXLE	1.12
30	59135010	S3332	REAR WHEEL	4.53
31	59135019	S3332	EXTENSION TUBE	27.21
32	59135018	S3332	HOSE ASSEMBLY COMPLETE	N.L.A.
33	59135021	S3332	CREVICE TOOL	3.39
34	59136026	S3332	FLOOR NOZZLE COMPLETE	9.74
	59136049	S3332	FLOOR NOZZLE BRUSH	1.12



télios™

16

PART LISTING / PRICE LIST

ITEM	PART NUMBER	MODELS TO FIT	PART DESCRIPTION	LIST COST
	59135085	S3332	RED LEAD WITH FUSE	1.46
	59135086	S3332	MOTOR HOUSING FOAM	2.59
	59135022	S3332	FURNITURE NOZZLE	3.39
	59135023	S3332	FURNITURE BRUSH	4.53
	59135016	S3332	SCREW	1.12
	59135049	S3332	VENT TUBE	1.12
	59135061	S3332	POTENTIOMETER / HARNESS	4.07

MODEL No.

S3332



duros™

MAYTAG

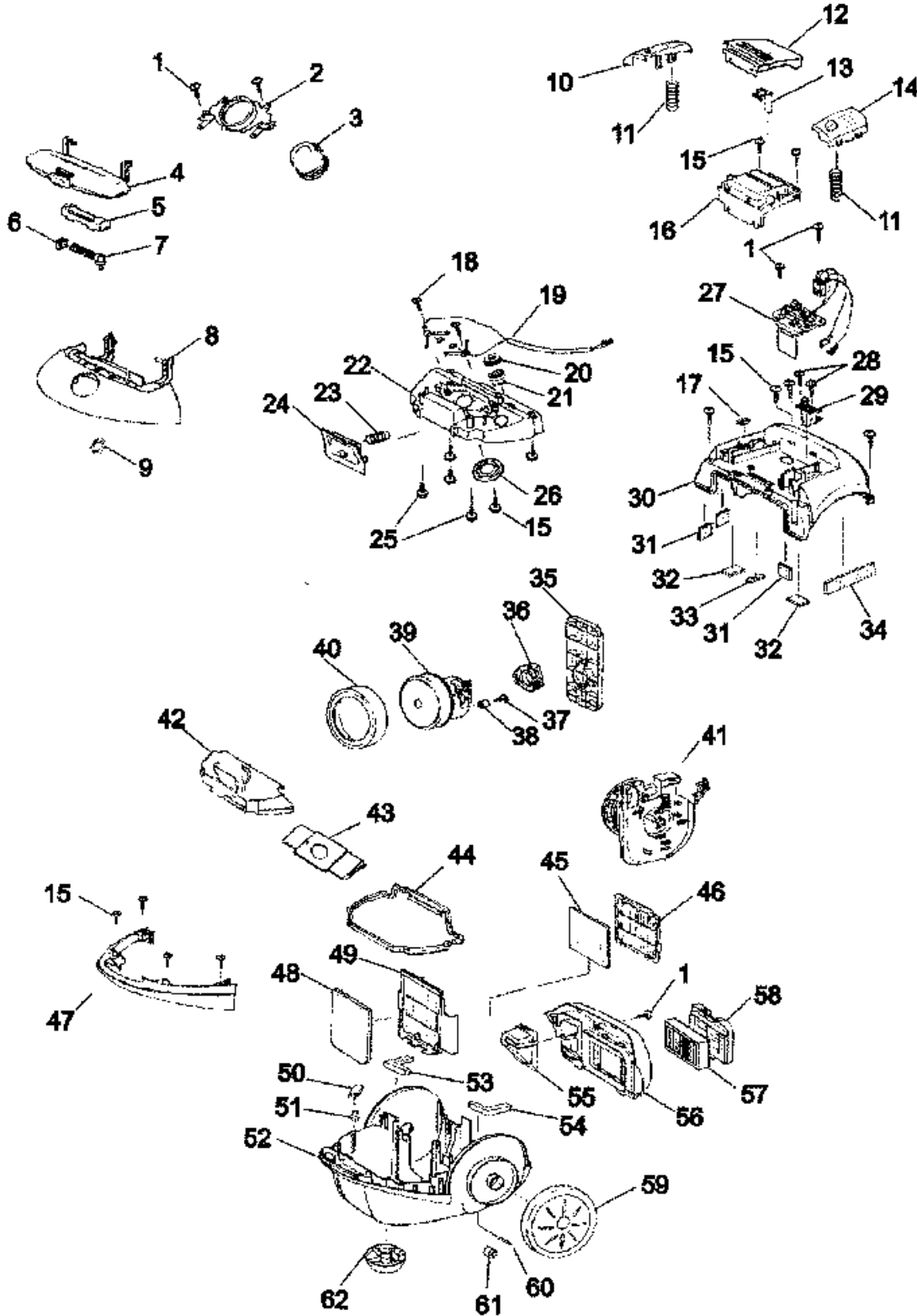
Legacy
Series

16

ASSEMBLY SCHEMATIC

MODEL NO.

S3590
S3591
S3592





duros™

MAYTAG

Legacy Series

16

PART LISTING / PRICE LIST

ITEM	PART NUMBER	MODELS TO FIT	PART DESCRIPTION	LIST COST
1	93001579	S3590, S3591, S3592	SCREW - 4MM X 16MM	.57
2	93001524	S3590, S3591, S3592	CONTACT SUPPORT HOLDER	2.26
3	93001525	S3590, S3591, S3592	HOSE SWIVEL CONTACT ASSEMBLY	5.66
4	93001528	S3590	TOOL COVER	5.09
	93002240	S3591, S3592	TOOL COVER	N.A.
5	93001569	S3590, S3591, S3592	FULL BAG INDICATOR COVER	1.12
6	93001570	S3590, S3591, S3592	FILTER - FULL BAG INDICATOR	1.12
7	93001571	S3590, S3591, S3592	FULL BAG INDICATOR ASSEMBLY	N.A.
8	93001565	S3590	BAG LID ASSEMBLY	17.00
	93002242	S3591, S3592	BAG LID ASSEMBLY	N.A.
9	93001566	S3590, S3591, S3592	BAG LID FOAM SEAL	1.12
10	93001539	S3590, S3591, S3592	CORD REEL PEDAL	2.82
11	93001529	S3590, S3591, S3592	PEDAL SPRING	N.A.
12	93001523	S3590	COVER PLATE	N.A.
	93002239	S3591	COVER PLATE	N.A.
	59134274	S3592	COVER PLATE	N.A.
13	93001555	S3590	SLIDE CONTROL KNOB	1.12
	93002241	S3591, S3592	SLIDE CONTROL KNOB	N.A.
14	93001540	S3590, S3591, S3592	ON/OFF PEDAL	2.82
15	93001577	S3590, S3591, S3592	SCREW - 4MM X 20MM	N.A.
16	93001522	S3590, S3591, S3592	SPEED CONTROL COVER	4.53
17	93001517	S3590, S3591, S3592	FOAM SEAL - .875" X .375"	N.A.
18	59134118	S3590, S3591, S3592	SCREW - 3MM X 8MM	N.A.
19	93001526	S3590, S3591, S3592	HOSE SWIVEL HARNESS ASSEMBLY	7.93
20	93001542	S3590, S3591, S3592	POPPET VALVE	N.A.
21	93001543	S3590, S3591, S3592	POPPET VALVE GASKET	N.A.
22	93001567	S3590	BAG LID BACKING PLATE ASSEMBLY	11.33
	93002243	S3591, S3592	BAG LID BACKING PLATE ASSEMBLY	8.07
23	93001546	S3590, S3591, S3592	BAG LATCH SPRING	1.12
24	93001545	S3590, S3591, S3592	BAG LID LATCH	2.26
25	93001576	S3590, S3591, S3592	SCREW - 4MM X 10MM	N.A.
26	93001568	S3590, S3591, S3592	BACKING PLATE SEAL	N.A.
27	93001556	S3590, S3591, S3592	SPEED CONTROL BOARD	34.01
28	93001578	S3590, S3591, S3592	SCREW - 3MM X 10MM	N.A.
29	93001530	S3590, S3591, S3592	ON/OFF SWITCH	4.53
30	93001516	S3590	MOTOR COVER ASSEMBLY	N.A.
	93002238	S3591, S3592	MOTOR COVER ASSEMBLY	N.A.
31	93001521	S3590, S3591, S3592	FOAM SEAL - 1.250" X 1.250"	N.A.

MODEL No.

S3590
S3591
S3592



duros™

MAYTAG

Legacy Series

16

PART LISTING / PRICE LIST

MODEL No.

S3590
S3591
S3592

ITEM	PART NUMBER	MODELS TO FIT	PART DESCRIPTION	LIST COST
32	93001519	S3590, S3591, S3592	FOAM SEAL - 1.625" X 1.250"	N.A.
33	93001520	S3590, S3591, S3592	FOAM SEAL - 1.750" X .625"	N.A.
34	93001518	S3590, S3591, S3592	FOAM SEAL - 4.000" X 1.375"	N.A.
35	93001554	S3590, S3591, S3592	MOTOR MOUNT SUPPORT	N.L.A.
36	93001562	S3590, S3591, S3592	REAR MOTOR MOUNT	N.A.
37	93001560	S3590, S3591, S3592	MOTOR SLEEVE SCREW	N.A.
38	93001559	S3590, S3591, S3592	MOTOR SLEEVE	N.A.
39	93001558	S3590, S3591, S3592	MOTOR ASSEMBLY	85.04
40	93001561	S3590, S3591, S3592	MOTOR MOUNT SEAL	N.A.
41	93001557	S3590, S3591, S3592	CORD REEL ASSEMBLY COMPLETE	34.01
42	93001544	S3590, S3591, S3592	BAG HOLDER ASSEMBLY	6.79
43	401011SR	S3590, S3591, S3592	TYPE SR ALLERGEN BAG - 3 PACK	3.62 NON DISC
44	93001564	S3590, S3591, S3592	BAG COVER SEAL	2.82
45	93001535	S3590, S3591, S3592	EXHAUST FILTER	1.04
46	93001536	S3590, S3591, S3592	EXHAUST FILTER GRILL	3.39
47	93001563	S3590, S3591, S3592	HANDLE ASSEMBLY - UPPER	N.A.
48	93001531	S3590, S3591, S3592	FOAM INLET FILTER	1.04
49	93001532	S3590, S3591, S3592	FOAM INLET FILTER HOLDER	2.26
50	93001552	S3590, S3591	BAG LID LEVER	1.12
51	93001553	S3590, S3591	BAG LID LEVER SPRING	1.12
52	93001547	S3590, S3591, S3592	LOWER BASE HOUSING	34.01
53	93001548	S3590, S3591, S3592	FOAM - CORD REEL SIDE	N.A.
54	93001549	S3590, S3591, S3592	FOAM - MOTOR SIDE	N.A.
55	93001537	S3590, S3591, S3592	CORD REEL GUIDE	3.39
56	93001541	S3590, S3591, S3592	REAR HOUSING	7.93
57	93001533	S3590, S3591, S3592	FINAL / EXHAUST FILTER	2.09
58	93001536	S3590, S3591, S3592	FINAL / EXHAUST GRILL	3.39
59	93001825	S3590, S3591, S3592	REAR WHEEL ASSEMBLY	7.36
60	93001575	S3590, S3591, S3592	REAR CENTER WHEEL AXLE	1.12
61	93001574	S3590, S3591, S3592	REAR CENTER WHEEL	1.69
62	93001824	S3590, S3591, S3592	SWIVEL CASTER ASSEMBLY	4.53



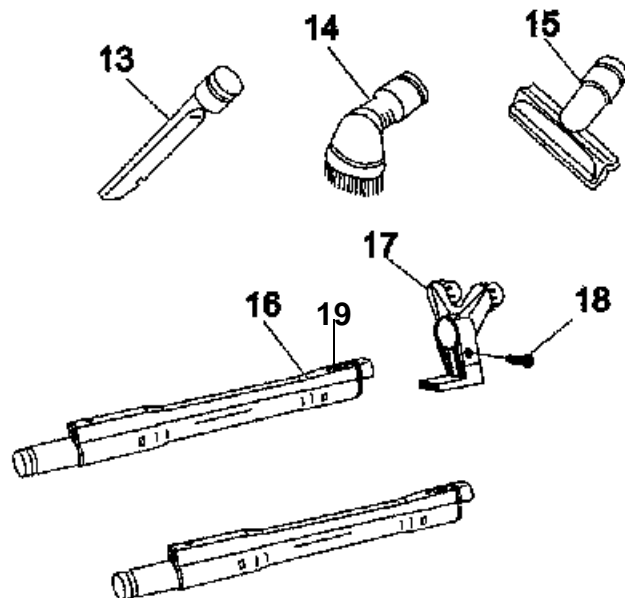
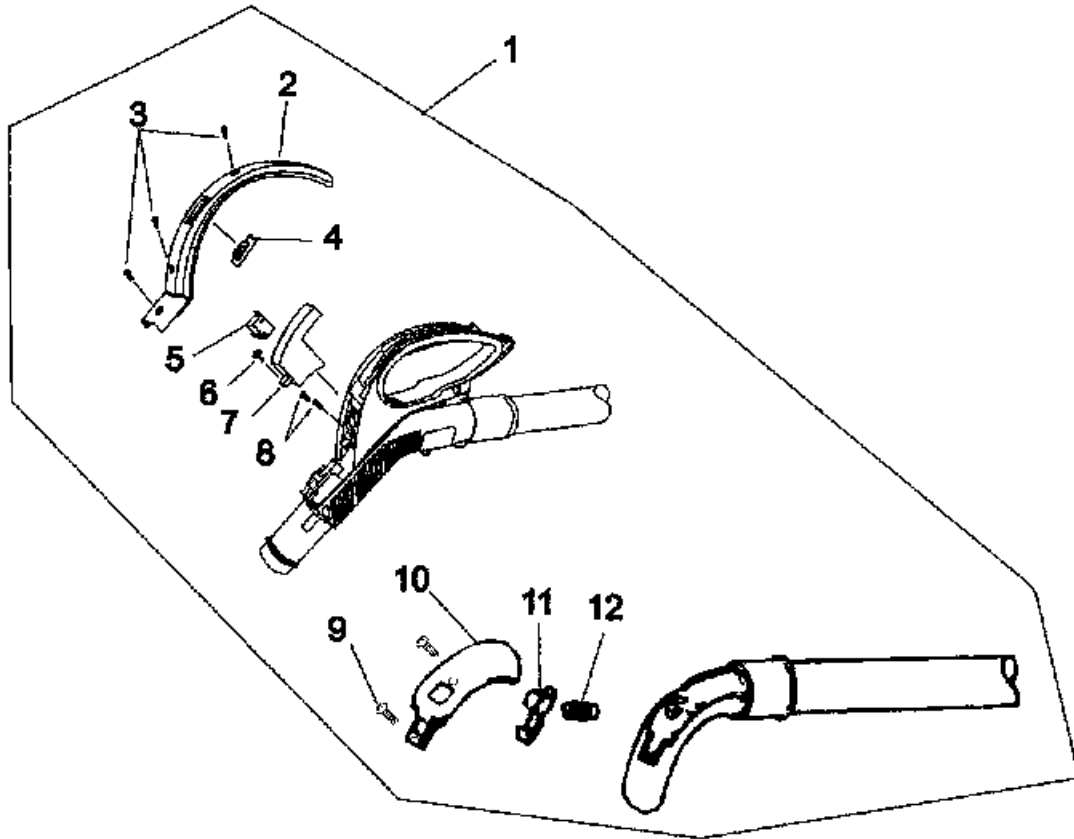
duros™

MAYTAG

Legacy
Series

16

ASSEMBLY SCHEMATIC



MODEL NO.

S3590
S3591
S3592



duros™

MAYTAG

Legacy
Series

16

PART LISTING / PRICE LIST

MODEL No.

ITEM	PART NUMBER	MODELS TO FIT	PART DESCRIPTION	LIST COST
1	93001580	S3590	HOSE ASSEMBLY COMPLETE	49.67
	93002244	S3591, S3592	HOSE ASSEMBLY COMPLETE	56.69
2	93001585	S3590	GRIP COVER PLATE	3.39
	93002246	S3591, S3592	GRIP COVER PLATE	N.A.
3	93001586	S3590, S3591, S3592	SCREW - SELF TAPPING	N.A.
4	93001587	S3590	SWITCH BUTTON	N.A.
	93002247	S3591, S3592	SWITCH BUTTON	N.A.
5	93001588	S3590, S3591, S3592	MICRO SWITCH	4.53
6	93001589	S3590, S3591, S3592	SCREW - SELF TAPPING	1.12
7	93001590	S3590, S3591, S3592	SWITCH MOUNT	1.12
8	93001586	S3590, S3591, S3592	SCREW - SELF TAPPING	N.A.
9	93001582	S3590, S3591, S3592	SCREW - SELF TAPPING	.57
10	93001581	S3590	GRIP HANDLE COVER - UPPER	1.12
	93002245	S3591, S3592	GRIP HANDLE COVER - UPPER	N.A.
11	93001583	S3590, S3591, S3592	WAND LATCHING LEVER	1.12
12	93001584	S3590, S3591, S3592	WAND LATCHING LEVER SPRING	1.12
13	93001538	S3590, S3591, S3592	CREVICE TOOL	4.53
14	93001593	S3590, S3591, S3592	FURNITURE BRUSH - ROTATING	6.79
15	93001594	S3590, S3591, S3592	UPHOLSTERY BRUSH	6.79
16	93001591	S3590	WAND ASSEMBLY	34.01
	93002248	S3591, S3592	WAND ASSEMBLY	22.67
17	93001592	S3590, S3591, S3592	WAND STORAGE CLIP TOOL HOLDER	2.26
18	93001589	S3590, S3591, S3592	SCREW - SELF TAPPING	1.12
19	59134271	S3590, S3591, S3952	WAND LATCH	1.05

S3590
S3591
S3592



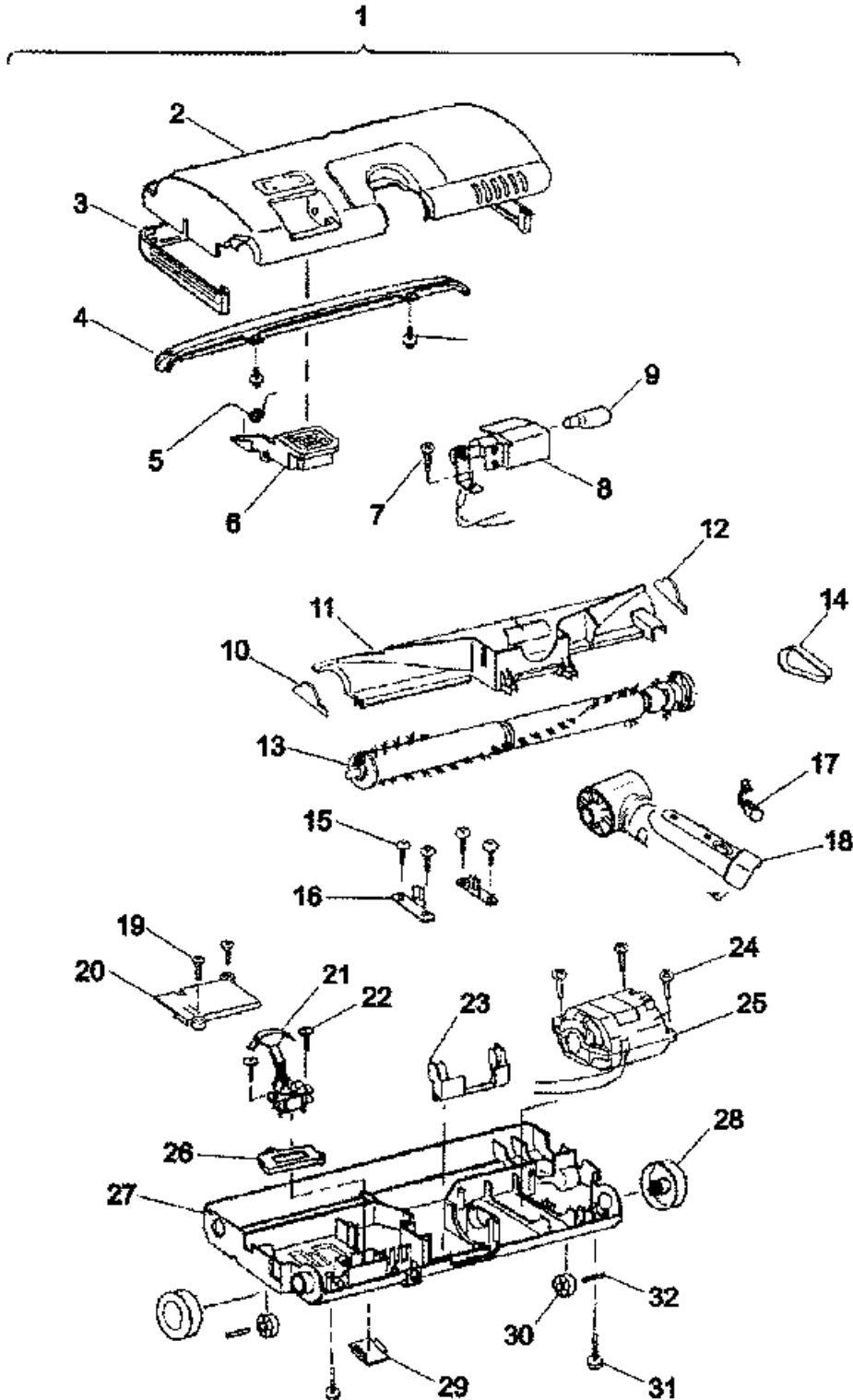
duros™

MAYTAG

Legacy
Series

16

ASSEMBLY SCHEMATIC



MODEL NO.

S3590
S3591
S3592



duros™

MAYTAG

Legacy Series

16

PART LISTING / PRICE LIST

ITEM	PART NUMBER	MODELS TO FIT	PART DESCRIPTION	LIST COST
1	93001595	S3590	POWER NOZZLE ASSEMBLY	57.49
	93002249	S3591	POWER NOZZLE ASSEMBLY	113.39
	59134277	S3592	POWER NOZZLE ASSEMBLY	N.A.
2	93001597	S3590	HOOD / NOZZLE COVER	12.46
	93002250	S3591	HOOD / NOZZLE COVER	N.A.
	59134278	S3592	HOOD / NOZZLE COVER	N.A.
3	93001598	S3590, S3591, S3592	FURNITURE GUARD	3.39
4	93001599	S3590, S3591, S3592	HEAD LAMP LENS	1.60
	93001600	S3590, S3591, S3592	LENS SCREW	N.A.
5	93001602	S3590, S3591	PEDAL SPRING	N.A.
6	93001601	S3590	SWITCH PEDAL ASSEMBLY	4.53
	93002251	S3591, S3592	SWITCH PEDAL ASSEMBLY	N.A.
7	93001603	S3590, S3591, S3592	SCREW	N.A.
8	93001617	S3590, S3591, S3592	HEAD LAMP SOCKET ASSEMBLY	4.53
9	93001618	S3590, S3591, S3592	HEAD LAMP	5.66
10	93001623	S3590, S3591, S3592	FOAM SEAL - AGITATOR	1.12
11	93001622	S3590, S3591, S3592	AGITATOR / BRUSH ROLL COVER	N.A.
12	93001605	S3590, S3591, S3592	FOAM SEAL - AGITATOR PULLEY END	1.12
13	93001624	S3590, S3591, S3592	AGITATOR / BRUSH ROLL ASSEMBLY	22.67
14	93001625	S3590, S3591, S3592	AGITATOR / BRUSH ROLL BELT	2.61
15	93001603	S3590, S3591, S3592	SCREW	N.A.
16	93001606	S3590, S3591, S3592	BRACKET	N.A.
17	93001610	S3590, S3591, S3592	STRAIN RELIEF	1.12
18	93001613	S3590	WAND SWIVEL ATTACHMENT ASSEMBLY	11.33
	93002252	S3591, S3592	WAND SWIVEL ATTACHMENT ASSEMBLY	8.49
19	93001603	S3590, S3591, S3592	SCREW	N.A.
20	93001612	S3590, S3591, S3592	COVER PLATE	N.A.
21	93001608	S3590, S3591, S3592	SWITCH - FLOOR/RUG ADJUSTMENT	5.09
22	93001611	S3590, S3591, S3592	SWITCH MOUNT SCREW	N.A.
23	93001615	S3590, S3591, S3592	WIRE CHANNEL COVER	N.A.
24	93001619	S3590, S3591, S3592	SCREW - SELF TAPPING	N.A.
25	93001626	S3590, S3591, S3592	AGITATOR / BRUSH ROLL MOTOR	45.99
26	93001609	S3590, S3591, S3592	SWITCH MOUNT PLATE	1.69
27	93001604	S3590, S3591, S3592	BASE PLATE ASSEMBLY	20.40
28	93001614	S3590, S3591, S3592	REAR WHEEL	.68
29	93001616	S3590, S3591, S3592	BASE PLATE SNAP COVER	N.A.
30	93001620	S3590, S3591, S3592	NOZZLE WHEEL - SMALL	2.26
31	93001596	S3590, S3591, S3592	BOTTOM PLATE / NOZZLE SCREWS	N.A.
32	93001621	S3590, S3591, S3592	NOZZLE WHEEL AXLE	1.12

MODEL No.

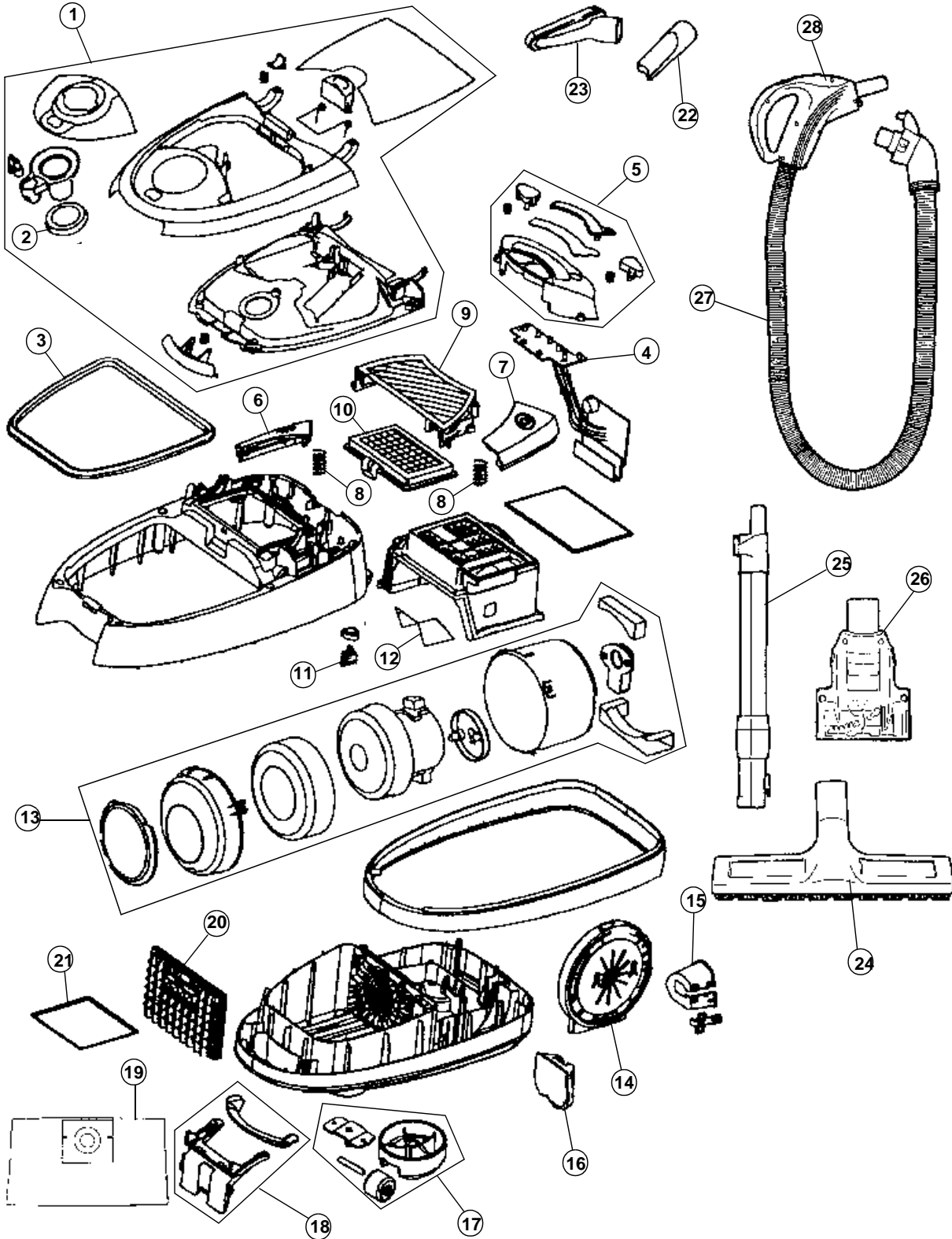
S3590
S3591
S3592



WindTunnel Canister Cleaner

16

ASSEMBLY SCHEMATIC



MODEL NO.

S3670



WindTunnel Canister Cleaner

16

PART LISTING / PRICE LIST

MODEL No.

S3670

ITEM	PART NUMBER	MODELS To FIT	PART DESCRIPTION	LIST COST
1	59142044	S3670	BAG LID ASSEMBLY	15.47
2	59142030	S3670	SEAL - BAG COLLAR	.88
3	59142031	S3670	SEAL - BAG LID	1.61
4	59142023	S3670	PCB ASSEMBLY WITH LED	44.80
5	59142024	S3670	DISPLAY COVER ASSEMBLY	2.91
6	59142025	S3670	SWITCH PEDAL	1.12
7	59142026	S3670	CORD REEL PEDAL	1.12
8	59142027	S3670	SPRING - SWITCH / CORD REEL PEDAL	.88
9	59142028	S3670	EXHAUST FILTER COVER	4.20
10	59142013	S3670	EXHAUST FILTER ASSEMBLY	7.14
11	59142034	S3670	POWER SWITCH	2.03
12	59142032	S3670	SEAL - MOTOR COVER	.88
13	59142015	S3670	MOTOR ASSEMBLY COMPLETE	51.29
14	59142033	S3670	CORD REEL ASSEMBLY	42.77
15	59142035	S3670	CORD GUIDE	1.47
16	59142018	S3670	HOLDER - WAND STORAGE	.98
17	59142037	S3670	CASTER WHEEL ASSEMBY	2.24
18	59142017	S3670	BAG HOLDER	1.12
19	59138327	S3670	TYPE S BAG - HEPA	N.A.
	4010808S	S3670	TYPE S BAG - 2 PACK HEPA	3.30 NON DISC
	4010100S	S3670	TYPE S BAG - 3 PACK ALLERGEN	3.62 NON DISC
20	59142016	S3670	FILTER RETAINER / HOLDER - INNER FILTER	2.03
21	59142009	S3670	INLET / SECONDARY FILTER	1.09
22	59142021	S3670	CREVICE TOOL	.91
23	59142020	S3670	COMBINATION TOOL - DUSTING/FURNITURE	2.80
24	59142038	S3670	HARD FLOOR BRUSH ASSEMBLY	10.99
25	59142019	S3670	TELESCOPIC WAND ASSEMBLY	51.17
26	92001019	S3670	TURBINE HAND TOOL	18.13
27	59142012	S3670	HOSE ASSEMBLY	42.63
28	59142022	S3670	SWITCH AND WIRING HARNESS - HOSE	5.60



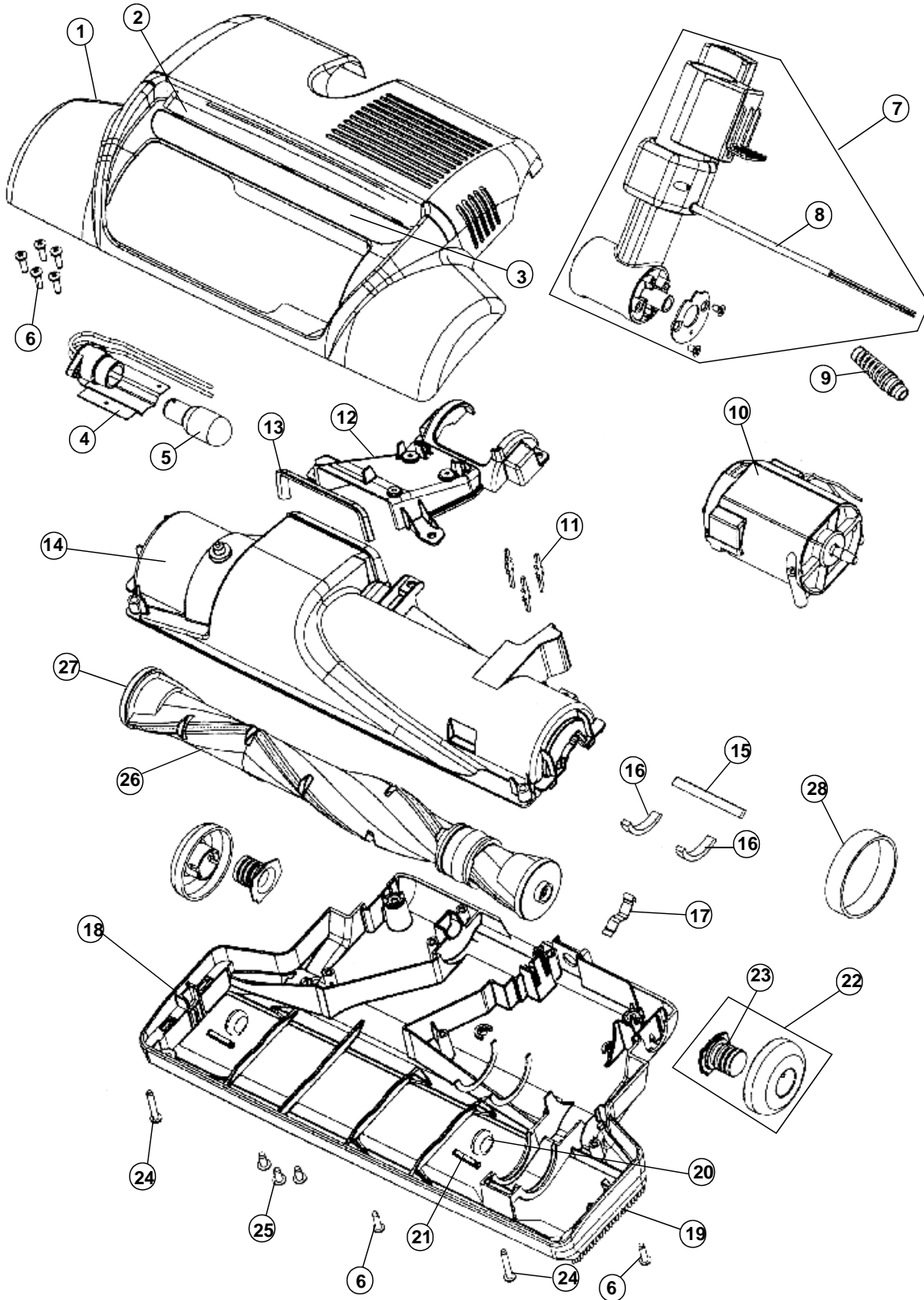
WindTunnel Canister Cleaner

16

ASSEMBLY SCHEMATIC

MODEL NO.

S3670





WindTunnel Canister Cleaner

16

PART LISTING / PRICE LIST

MODEL No.

S3670

ITEM	PART NUMBER	MODELS To FIT	PART DESCRIPTION	LIST COST
1	37253A81	S3670	HOOD / NOZZLE COVER	PENDING
2	39383142	S3670	DIRT FINDER LENS	.40
3	51669095	S3670	NAME PLATE	3.39
4	47171020	S3670	SOCKET ASSEMBLY	4.53
5	27317307	S3670	LIGHT BULB	6.20
6	21447003	S3670	SCREW - SELF TAPPING	.57
7	38464102	S3670	QUICK DISCONNECT ASSEMBLY	7.07
8		S3670	POWER CORD - QUICK DISCONNECT ORDER 38464102	N.A.
9	27482146	S3670	STRAIN RELIEF	N.L.A.
10	90001369	S3670	MOTOR ASSEMBLY	85.04
11	36218026	S3670	ISOLATION GROMMET	.88
12	37243066	S3670	DUCT COVER	3.29
13	34113008	S3670	SEAL - DUCT COVER	1.12
14	37243067	S3670	BRUSH ROLL COVER ASSEMBLY	13.44
	37243030	S3670	DUCT COVER - BRUSH ROLL	3.39
	21479449	S3670	SCREW - BRUSH ROLL DUCT COVER	1.12
15	34112007	S3670	SEAL	1.12
16	34122014	S3670	SEAL	1.12
17	35276008	S3670	DETENT SPRING	N.L.A.
18	37245104	S3670	BASE PLATE / NOZZLE GUARD ASSEMBLY	21.92
19	39511004	S3670	LITTER PICKER	2.26
20	32761001	S3670	FRONT WHEEL	2.26
21	31522004	S3670	SHAFT - FRONT WHEEL	1.12
22	90001395	S3670	REAR WHEEL ASSEMBLY	5.66
23	38511031	S3670	WHEEL BEARING ORDER 90001395	N.A.
24	21447236	S3670	SCREW - SELF TAPPING	1.12
25	21479801	S3670	SCREW - SELF TAPPING	.57
26	90001372	S3670	BRUSH ROLL ASSEMBLY - 15"	22.67
27	36422022	S3670	END CAPS - BRUSH ROLL	1.69
28	38528036	S3670	BELT	.85 NON DISC
	48438299	S3670	POWER NOZZLE COMPLETE	173.72

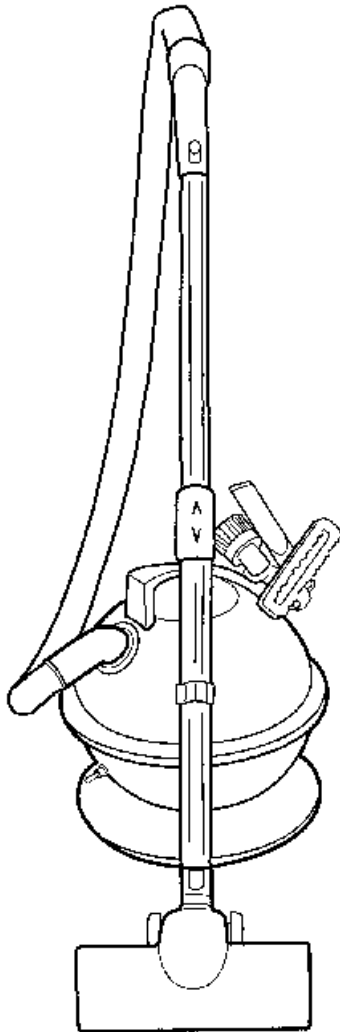


SECTION CONTENTS

<u>MODEL NO.</u>	<u>PAGE NO.</u>
S3341	17-2 THRU 17-5
S3345	17-2 THRU 17-5

MODEL NO.

S3341
S3345



- * PRICING, SPECIFICATION'S, AND PRODUCT AVAILABILITY ARE SUBJECT TO CHANGE WITHOUT NOTICE. PRICING IS FOB FACTORY, CANTON, OH
- * ALL INFORMATION CONTAINED WITHIN THIS SERVICE MANUAL IS PROPRIETARY INFORMATION OF TTI FLOOR CARE NORTH AMERICA.
- * **WARNING:** TO REDUCE THE RISK OF ELECTRICAL SHOCK OR INJURY, ALWAYS DISCONNECT THE APPLIANCE CORD FROM THE ELECTRICAL OUTLET OR REMOVE BATTERY PRIOR TO SERVICING THE UNIT.



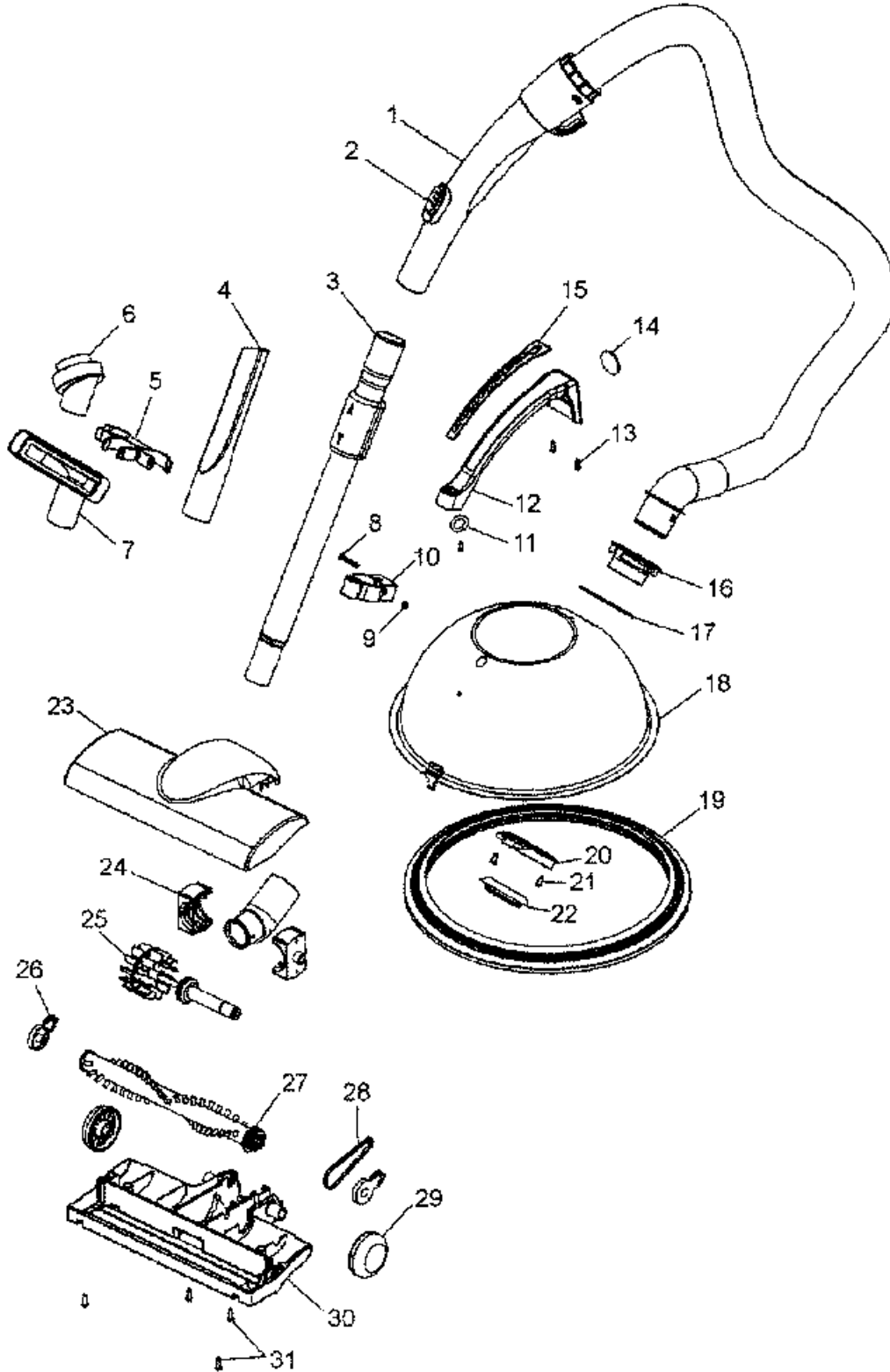
Constellation

17

ASSEMBLY SCHEMATIC

MODEL NO.

S3341
S3345





17

PART LISTING / PRICE LIST

MODEL No.

S3341
S3345

ITEM	PART NUMBER	MODELS TO FIT	PART DESCRIPTION	LIST COST
1	93002267	S3341, S3345	HOSE WITH SUCTION REGULATOR ASSEMBLY	22.67
2	93002268	S3341, S3345	SUCTION REGULATOR BUTTON	1.46
3	93002269	S3341, S3345	TELESCOPIC WAND ASSEMBLY COMPLETE	25.50
4	93001956	S3341, S3345	CREVICE TOOL - 7"	3.37
5	93001955	S3341, S3345	TOOL STORAGE HOLDER	1.12
6	93001958	S3341, S3345	DUSTING BRUSH	3.73
7	93001959	S3341, S3345	UPHOLSTERY BRUSH	4.29
	59132033	S3341, S3345	12" HARD FLOOR BRUSH	22.67
8	93001953	S3341, S3345	WAND HOLDER SCREW	N.A.
9	93001952	S3341, S3345	TELESCOPING WAND HOLDER	N.A.
10	93001954	S3341, S3345	WAND HOLDER NUT	.45
11	93001923	S3341, S3345	HANDLE SCREW WASHER	.45
12	93002254	S3341, S3345	HANDLE ASSEMBLY COMPLETE	11.33
13	93001922	S3341, S3345	HANDLE SCREW	.51
14	93002255	S3341, S3345	MEDALLION	2.82
15	93002256	S3341, S3345	LABEL - CONSTELLATION	6.79
16	93002257	S3341, S3345	HOSE CONNECTOR	28.34
17	93001919	S3341, S3345	SEAL RING	1.12
18	93002253	S3341, S3345	UPPER DOME ASSEMBLY COMPLETE	45.35
19	93002258	S3341, S3345	FURNITURE GUARD	11.33
20	93001918	S3341, S3345	HOSE CONNECTOR SPACER	1.12
21	93001924	S3341, S3345	HOSE CONNECTOR SCREW	N.A.
22	93001920	S3341, S3345	BAG COLLAR SEAL	1.12
23	93002270	S3341, S3345	TURBINE FLOOR NOZZLE ASSEMBLY	102.05
	93002271	S3341, S3345	UPPER HOUSING COVER	N.A.
24	93002278	S3341, S3345	NECK CONNECTOR WITH COUPLINGS	22.67
25	93002276	S3341, S3345	TURBINE ASSEMBLY WITH SHAFT	34.01
26	93002275	S3341, S3345	AGITATOR / BRUSH ROLL BEARINGS	3.96
27	93002274	S3341, S3345	AGITATOR / BRUSH ROLL ASSEMBLY	45.35
28	93002273	S3341, S3345	BELT	6.29
29	93002277	S3341, S3345	WHEEL TURBINE WITH SHAFT ASSEMBLY	6.23
30	93002272	S3341, S3345	LOWER HOUSING / BASE ASSEMBLY	N.A.
31	93002279	S3341, S3345	TURBINE FLOOR NOZZLE SCREW	2.03



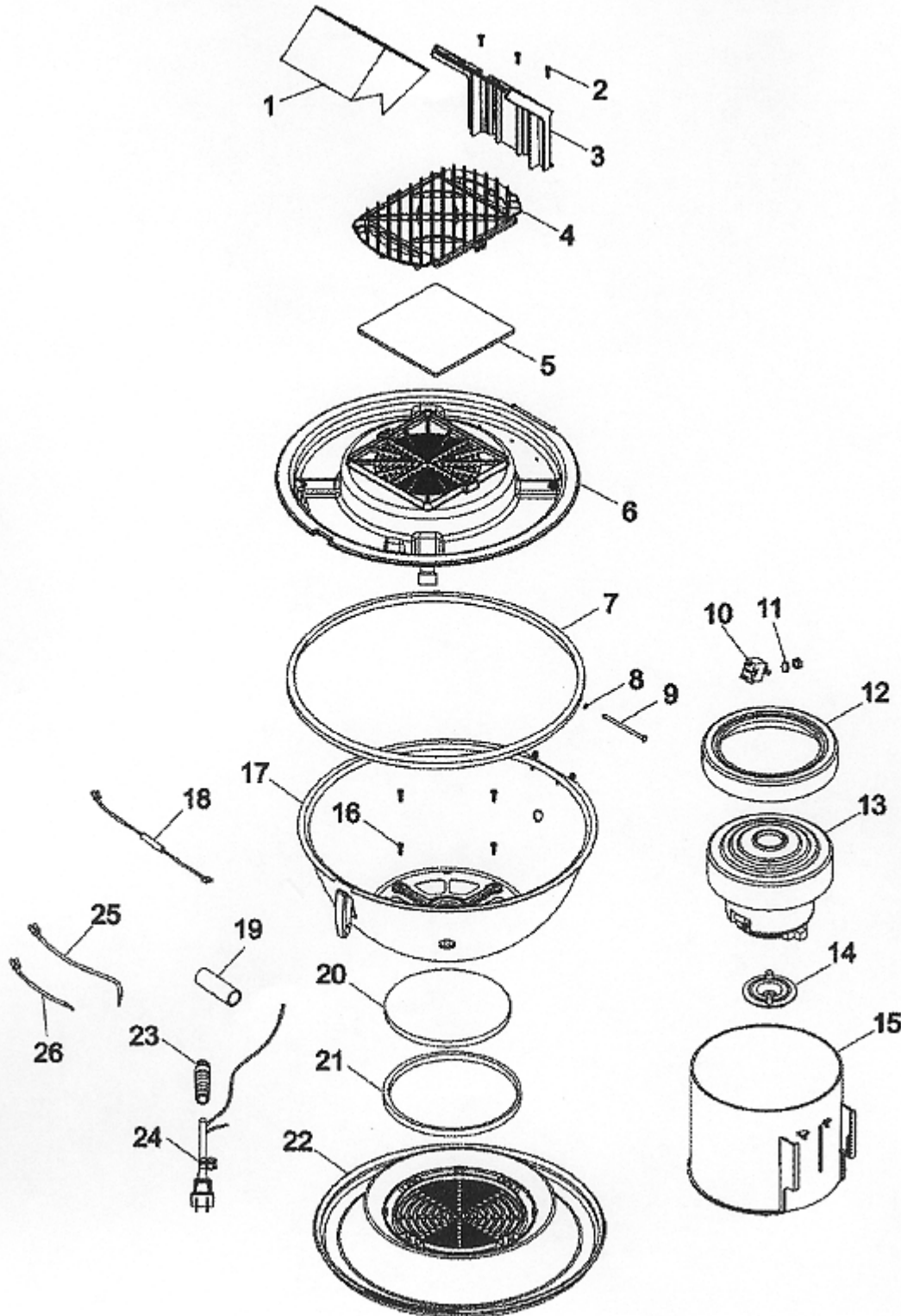
Constellation

17

ASSEMBLY SCHEMATIC

MODEL NO.

S3341
S3345





17

PART LISTING / PRICE LIST

MODEL No.

S3341
S3345

ITEM	PART NUMBER	MODELS TO FIT	PART DESCRIPTION	LIST COST
1	4010808S	S3341, S3345	TYPE S BAG - HEPA 2 PACK	3.30 NON DISC
2	93001937	S3341, S3345	FILTER BAG HOLDER SCREW	.45
3	93001934	S3341, S3345	FILTER BAG HOLDER	2.03
4	93001935	S3341, S3345	FILTER RETAINER	2.59
5	93001936	S3341, S3345	SECONDARY / INLET FILTER	2.93
	40110011	S3341, S3345	SECONDARY / INLET FILTER SCENTED - 2 PACK	2.20 NON DISC
6	93002261	S3341	BULKHEAD	3.96
	93001932	S3345	BULKHEAD	N.A.
		S3341, S3345	SCREW - BULKHEAD	N.A.
7	93001933	S3341, S3345	SEAL RING A	N.A.
8	93001927	S3341, S3345	C-CLIP / HINGE PIN	N.A.
9	93001926	S3341, S3345	HINGE CLIP	N.A.
10	93001944	S3341, S3345	TOGGLE SWITCH	6.79
11	93002027	S3341, S3345	TOGGLE SWITCH WASHER	N.A.
12	93001940	S3341, S3345	MOTOR SEAL	N.A.
13	93002262	S3341, S3345	MOTOR	85.04
14	93001941	S3341, S3345	MOTOR MOUNT BUSHING	N.A.
15	93001942	S3341	MOTOR SHROUD	N.A.
	93002291	S3345	MOTOR SHROUD	N.A.
16	93001931	S3341, S3345	SCREW - BASE	N.A.
17	93002259	S3341	LOWER DOME ASSEMBLY COMPLETE	51.02
	93001925	S3345	LOWER DOME ASSEMBLY COMPLETE	N.A.
18	93002264	S3341, S3345	FUSE ASSEMBLY WITH LEAD WIRES	22.67
19	93001947	S3341, S3345	PVC TUBE - STRAIN RELIEF	1.12
20	93001930	S3341, S3345	FINAL / EXHAUST FILTER	3.14
21	93001929	S3341, S3345	SEAL RING B	N.A.
22	93002260	S3341	BASE ASSEMBLY COMPLETE	N.A.
	93001928	S3345	BASE ASSEMBLY COMPLETE	N.A.
23	93001946	S3341, S3345	POWER CORD STRAIN RELIEF	2.59
24	93002263	S3341	POWER CORD	17.00
	93002283	S3345	POWER CORD	N.L.A.
25	93002266	S3341, S3345	MOTOR WIRE WITH TERMINAL	N.A.
26	93002265	S3341, S3345	SWITCH WIRE WITH TERMINAL	N.A.



17

NOTES

MODEL NO.

S3341
S3345

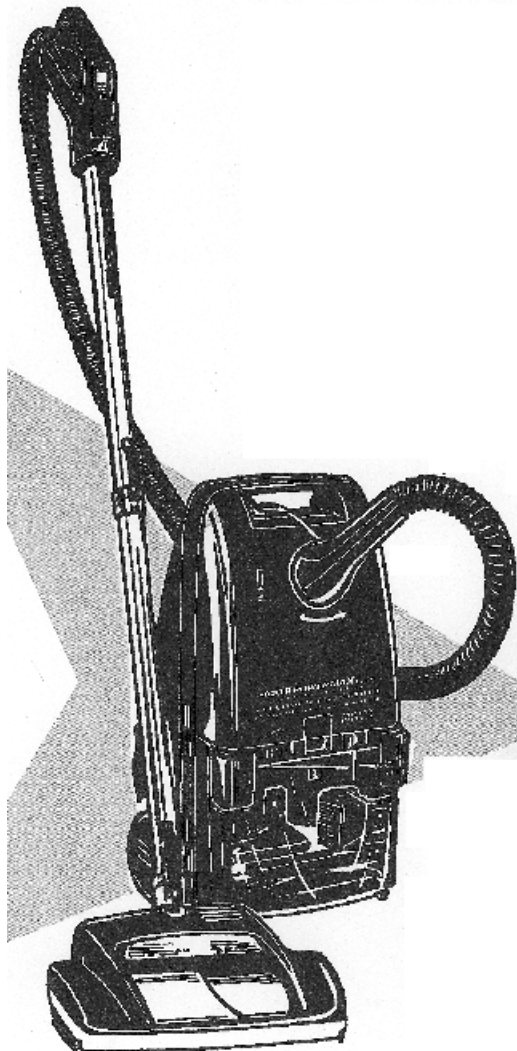


SECTION CONTENTS

<u>MODEL NO.</u>	<u>PAGE NO.</u>
S3630	18-2 THRU 18-10
S3639	18-11 THRU 18-20
TOOLS	18-21 THRU 18-22
TURBINE	18-23 THRU 18-24

MODEL NO.

S3630
S3639



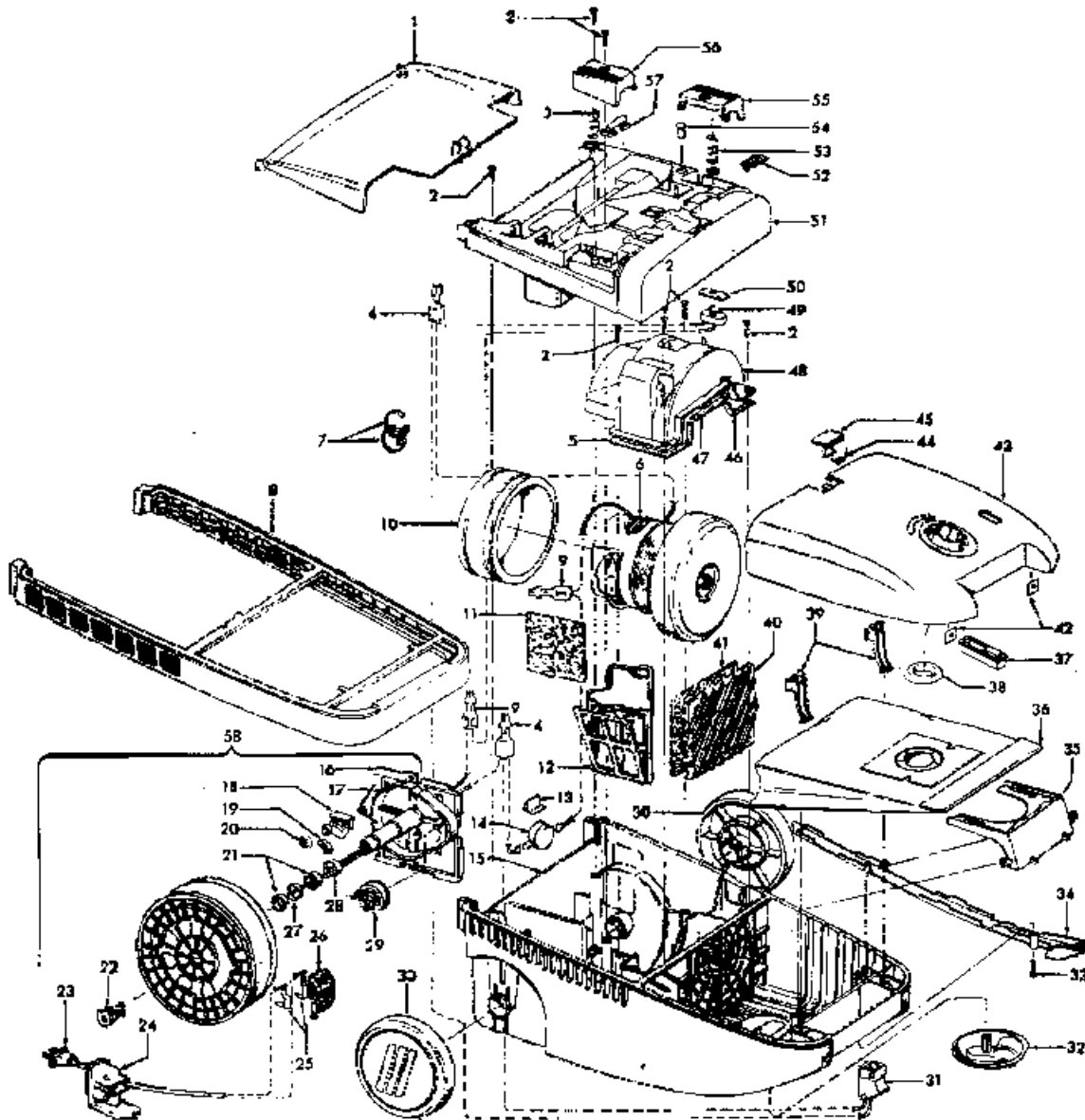
- * PRICING, SPECIFICATION'S, AND PRODUCT AVAILABILITY ARE SUBJECT TO CHANGE WITHOUT NOTICE. PRICING IS FOB FACTORY, CANTON, OH
- * ALL INFORMATION CONTAINED WITHIN THIS SERVICE MANUAL IS PROPRIETARY INFORMATION OF TTI FLOOR CARE NORTH AMERICA.
- * **WARNING:** TO REDUCE THE RISK OF ELECTRICAL SHOCK OR INJURY, ALWAYS DISCONNECT THE APPLIANCE CORD FROM THE ELECTRICAL OUTLET OR REMOVE BATTERY PRIOR TO SERVICING THE UNIT.



ASSEMBLY SCHEMATIC

MODEL NO.

S3630





18

PART LISTING / PRICE LIST

MODEL No.

S3630

ITEM	PART NUMBER	MODELS TO FIT	PART DESCRIPTION	LIST COST
1	37215180	S3630	TOOL LID	10.79
2	21447217	S3630	SCREW - SELF TAPPING	1.12
3	38314024	S3630	SPRING	1.12
4	27618508	S3630	WIRE CONNECTOR	1.12
5	34633003	S3630	RETAINER SEAL - RIGHT	N.A.
6	43576190	S3630	MOTOR	104.64
7	27479307	S3630	CABLE TIE	.45
8	36235069	S3630	FURNITURE GAURD	N.A.
9	27618508	S3630	WIRE CONNECTOR	1.12
10	36322031	S3630	MOTOR MOUNT	3.39
11	34174012	S3630	EXHAUST FILTER	N.L.A.
12	38769019	S3630	EXHAUST FILTER CASE	1.81
13	21378160	S3630	RETAINING CLIP	N.A.
14	28382085	S3630	THERMAL PROTECTOR	6.79
15	42215003	S3630	MAIN BODY / LOWER HOUSING	56.69
	42217189	S3630	BAG LID	34.01
16		S3630	CORD REEL SUPPORT - ORDER #58	N.A.
17		S3630	TORSION SPRING - ORDER #58	N.A.
18	51151028	S3630	BAG INDICATOR	6.79
19		S3630	BRAKE PAD - ORDER #58	N.A.
20		S3630	PUSH NUT - ORDER #58	N.A.
21		S3630	SPACER - ORDER #58	N.A.
22		S3630	RETAINER - ORDER #58	N.A.
23	90001033	S3630	POWER CORD	15.87
24	36218018	S3630	FERRULE	N.A.
25		S3630	CONTACT SPRING - ORDER #58	N.A.
26		S3630	BRUSH HOLDER - ORDER #58	N.A.
27		S3630	SLIP RING ASSEMBLY / WHITE - ORDER #58	N.A.
28		S3630	SLIP RING ASSEMBLY / BLACK - ORDER #58	N.A.
29		S3630	SPOOL AND SPRING ASSEMBLY - ORDER #58	N.A.
30	38522065	S3630	WHEEL	4.86
31	46326082	S3630	RECEPTACLE ASSEMBLY	3.16
32	41432040	S3630	WHEEL CARRIER	3.39
33	21447223	S3630	SCREW - SELF TAPPING	.23
34	36218020	S3630	CORD CHANNEL COVER	N.A.
35	36424010	S3630	BAG COLLAR SUPPORT	1.76



18

PART LISTING / PRICE LIST

MODEL No.

S3630

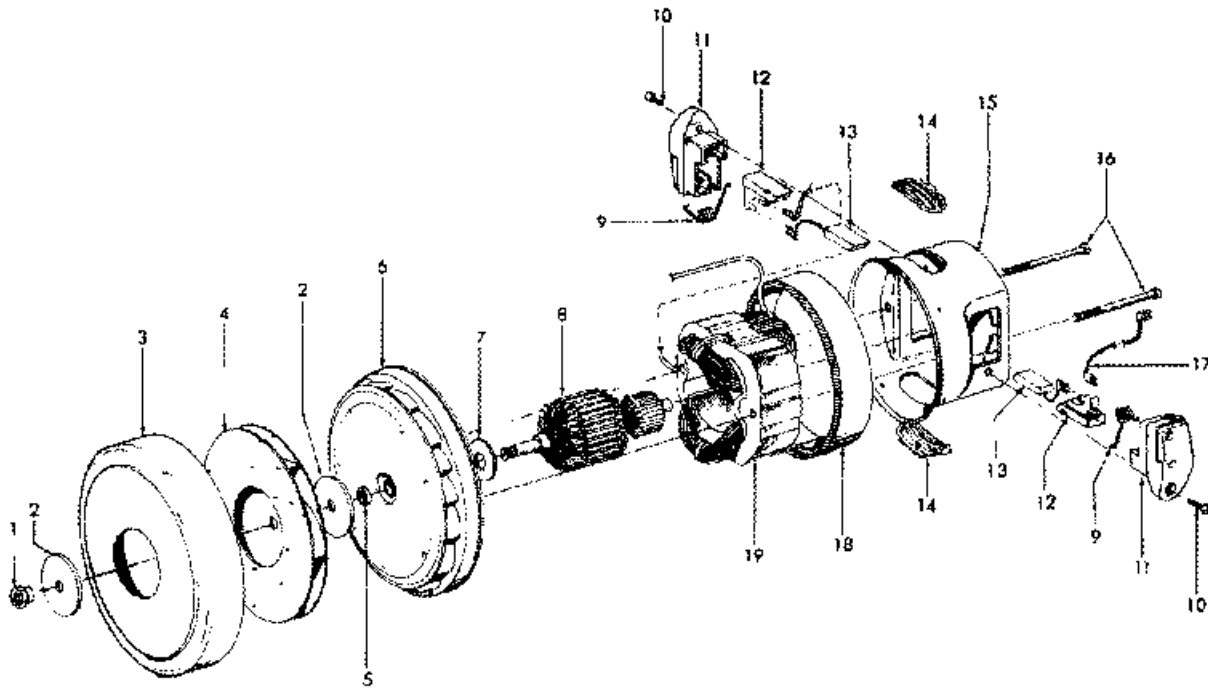
ITEM	PART NUMBER	MODELS TO FIT	PART DESCRIPTION	LIST COST
36	4010100S	S3630	TYPE S ALLERGEN BAG - 3 PACK	3.62 NON DISC
37	51151010	S3630	BAG INDICATOR	6.79
38	36424012	S3630	BAG COLLAR SEAL - BLACK	1.46
39	36151027	S3630	BAG LID HINGE	1.12
40	37944005	S3630	FILTER REATINER	N.L.A.
41	38765009	S3630	SECONDARY / INLET FILTER	.32 NON DISC
42	21378159	S3630	SPEED CLIP	1.12
43	42212135	S3630	BAG LID - BLACK	28.34
44	38351009	S3630	TORSION SPRING	1.12
45	36153040	S3630	BAG LID LATCH - BLACK	1.12
46	34633002	S3630	RETAINER SEAL - LEFT	N.A.
47	34123040	S3630	RETAINER SEAL - CENTER	N.L.A.
48	41312042	S3630	MOTOR RETAINER ASSEMBLY - BLACK	6.00
49	28218061	S3630	SWITCH	2.80
50		S3630	SWITCH MOUNTING PLATE	N.A.
51	41426134	S3630	MOTOR COVER ASSEMBLY - FOREST GREEN	19.27
52	37941043	S3630	THERMOSTAT COVER	N.A.
53	38314026	S3630	SPRING	3.39
54	23762005	S3630	PLUG	1.12
55	38422184	S3630	SWITCH PEDAL	2.03
56	38422155	S3630	CORD REEL PEDAL - BLACK	1.81
57	38458034	S3630	CORD REEL BRAKE ARM	2.59
58	41911014	S3630	CORD REEL ASSMEMBLY	56.69
	58211011	S3630	BOTTOM SUPPORT - FRONT	N.A.
	58211012	S3630	BOTTOM SUPPORT - REAR	N.A.
	43433110	S3630	HOSE ASSEMBLY COMPLETE / 2 WIRE - BLACK	113.39
	48438288	S3630	POWER NOZZLE COMPLETE	N.L.A.
	43414057	S3630	FURNITURE NOZZLE - BLACK	6.79
	43414064	S3630	DUSTING BRUSH	6.83
	43414073	S3630	FLOOR BRUSH - BLACK	14.73
	40200013	S3630	TURBINE HAND TOOL	9.95 NON DISC
	43453023	S3630	EXTENSION TUBE - CHROMIUM PLATED	29.47
	43453099	S3630	EXTENSION TUBE WITH BLACK STORAGE CLIP	28.34
	38617017	S3630	CREVICE TOOL - 7" BLACK	3.39



ASSEMBLY SCHEMATIC

MODEL NO.

S3630





18

PART LISTING / PRICE LIST

MODEL No.

S3630

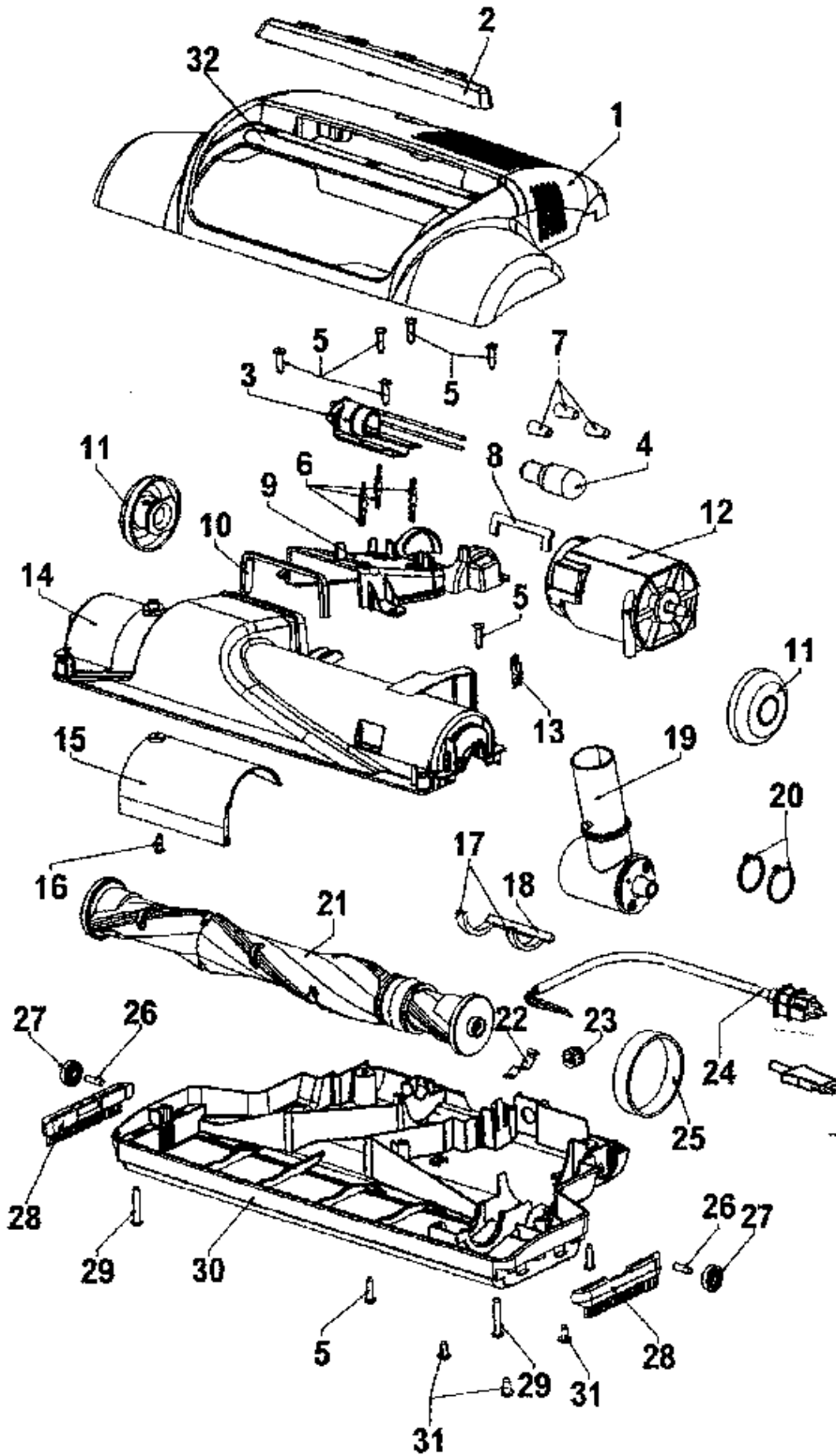
ITEM	PART NUMBER	MODELS TO FIT	PART DESCRIPTION	LIST COST
1	012028--	S3630	NUT	N.A.
2	21312774	S3630	WASHER	N.A.
3	37196065	S3630	FAN COVER	N.A.
4	43551008	S3630	FAN	7.36
5	31148009	S3630	SPACER	N.L.A.
	31148011	S3630	BEARING SPACER	.40
6	43551029	S3630	DIFFUSER ASSEMBLY	N.A.
7	31165003	S3630	BEARING RETAINER	N.A.
8	44765138	S3630	ARMATURE ASSEMBLY COMPLETE	N.A.
	44765241	S3630	ARMATURE	51.02
9	38353004	S3630	SPRING	1.12
10	21429406	S3630	SCREW	.40
11	167696AG	S3630	BRUSH HOUSING	1.69
12	47318008	S3630	BRUSH CARRIER ASSEMBLY	6.79
13	47315011	S3630	MOTOR BRUSH	2.94
	167681--	S3630	CARBON BRUSH AND TERMINAL	2.94
14	169702BZ	S3630	WIRE PROTECT BUSHING	N.A.
15	42193025	S3630	MOTOR HOUSING ASSEMBLY	11.33
16	21447222	S3630	FIELD LAMINATION BOLT	N.A.
	21479573	S3630	SCREW	.57
	36112006	S3630	FIELD LAMINATION BOLT	N.A.
17	46176001	S3630	LEAD WIRE ASSEMBLY	N.A.
18	36322031	S3630	MOTOR MOUNT	3.39
19	45311051	S3630	FIELD COIL	69.86
	43576190	S3630	MOTOR ASSEMBLY COMPLETE	104.64



ASSEMBLY SCHEMATIC

MODEL NO.

S3630





18

PART LISTING / PRICE LIST

MODEL No.

S3630

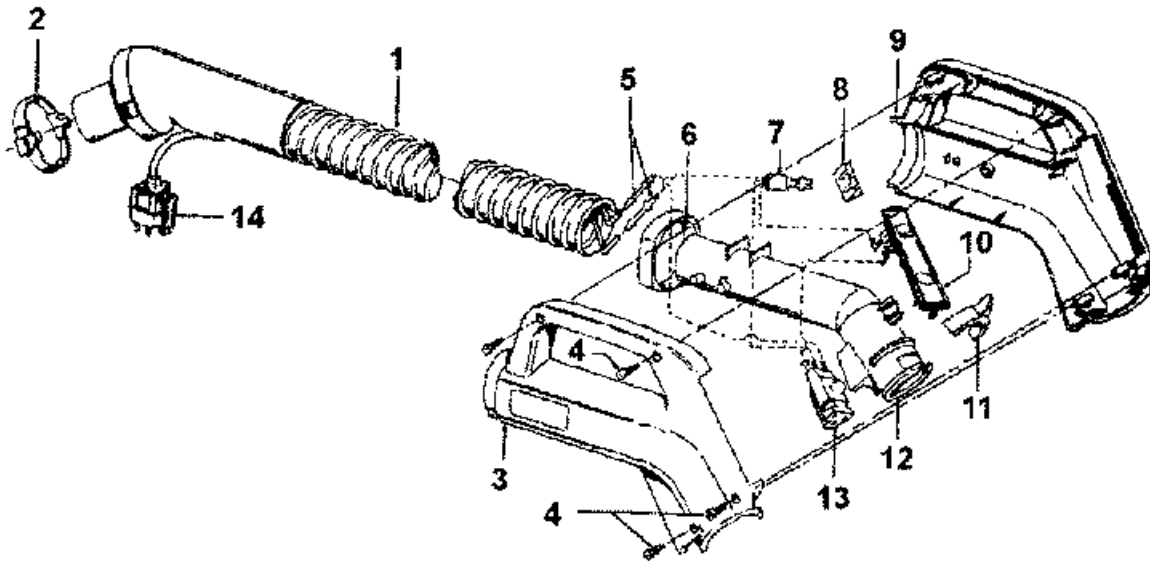
ITEM	PART NUMBER	MODELS TO FIT	PART DESCRIPTION	LIST COST
1	37253310	S3630	HOOD / NOZZLE COVER	N.L.A.
	37253314	S3630	HOOD / NOZZLE COVER - SUBSTITUTION	N.L.A.
2	39383142	S3630	DIRT FINDER LENS	.40
3	47171020	S3630	DIRT FINDER SOCKET	4.53
4	27317307	S3630	DIRT FINDER LAMP	6.20
5	21447003	S3630	SCREW	.57
6	36218026	S3630	GROMMET	.88
7	27618508	S3630	WIRE CONNECTOR	1.12
8	34253018	S3630	REAR SEAL	.40
9	37243066	S3630	DUCT COVER	3.29
10	34113008	S3630	SEAL	1.12
11	90001395	S3630	REAR WHEEL ASSEMBLY	5.66
12	90001369	S3630	MOTOR ASSEMBLY	85.04
13	013261AY	S3630	RIB SHOE	.57
14	37243067	S3630	AGITATOR / BRUSH ROLL COVER	13.44
15	37243030	S3630	DUCT COVER	3.39
16	21479449	S3630	SCREW	1.12
17	34122014	S3630	SEAL	1.12
18	34112007	S3630	SEAL	1.12
19	43482114	S3630	NOZZLE COVER CONNECTOR - BLACK	3.08
20	27479307	S3630	CABLE TIE	.45
21	90001371	S3630	AGITATOR / BRUSH ROLL	22.67
22	35276008	S3630	DETENTION SPRING	N.L.A.
23	163768--	S3630	STRAIN RELIEF	1.12
24	46521021	S3630	POWER NOZZLE CORD - 3 PRONG	10.20
25	38528036	S3630	BELT	.85 NON DISC
26	31522004	S3630	WHEEL SHAFT	1.12
27	32761001	S3630	WHEEL	2.26
28	39511004	S3630	LITTER PICKER	2.26
29	21447236	S3630	SCREW	1.12
30	37245104	S3630	BASE PLATE/NOZZLE GUARD - W/LITTER PICKER	21.92
31	21479801	S3630	SCREW - SELF TAPPING	.57
32	51669082	S3630	NAME PLATE	N.L.A.



ASSEMBLY SCHEMATIC

MODEL NO.

S3630





18

PART LISTING / PRICE LIST

MODEL No.

S3630

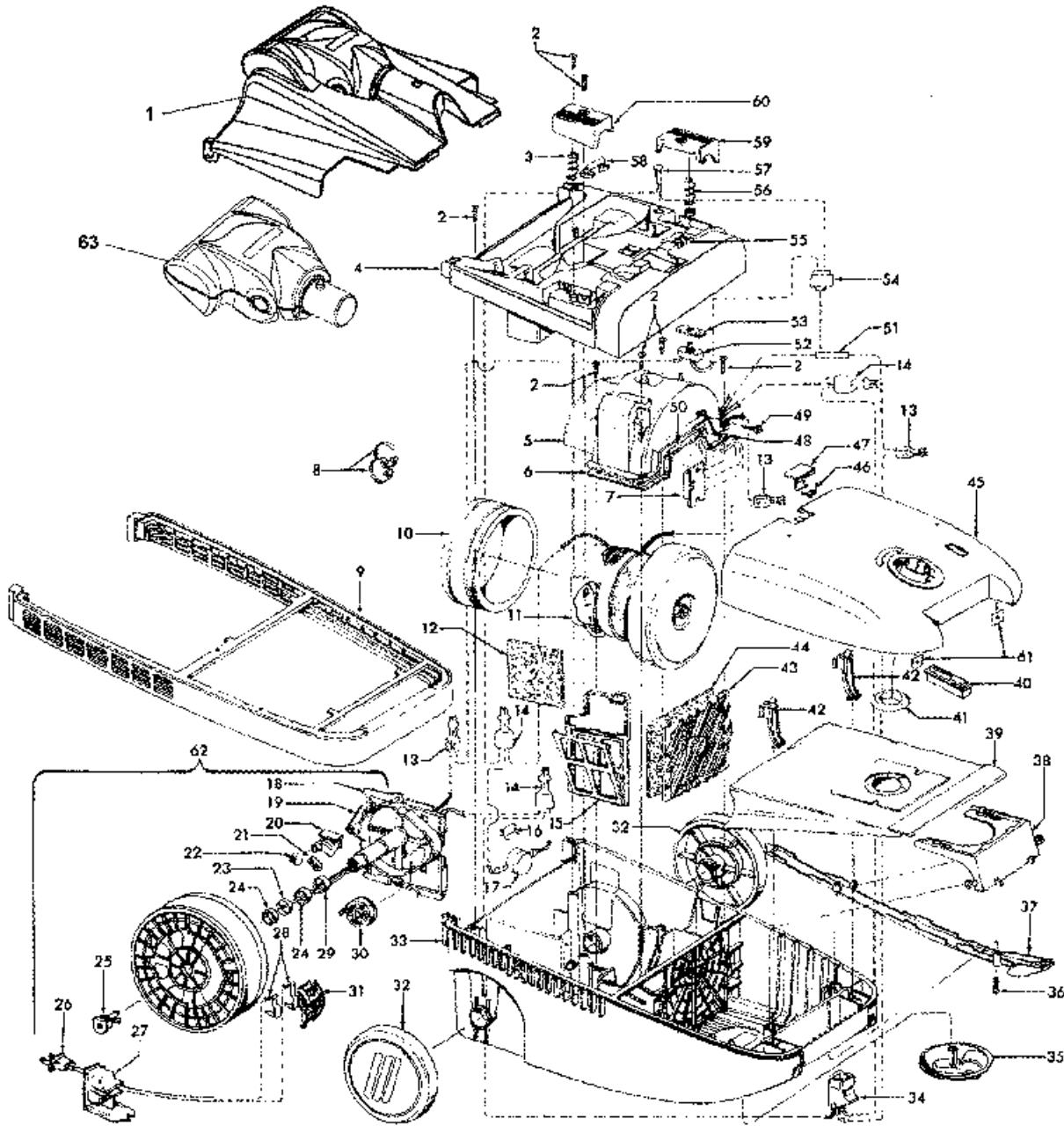
ITEM	PART NUMBER	MODELS TO FIT	PART DESCRIPTION	LIST COST
1	43433110	S3630	HOSE ASSEMBLY / 2 WIRE - BLACK	113.39
2	36153038	S3630	HOSE RELEASE LATCH	1.46
3	39461018	S3630	HOSE GRIP - RIGHT	4.53
4	21447124	S3630	SCREW	N.A.
5	27613002	S3630	SPLICE	1.12
	31712006	S3630	INSULATING SLEEVE	.57
6	36131087	S3630	RETAINING RING	N.L.A.
7	018972--	S3630	TERMINAL INSULATED	.89
8	36913030	S3630	INSULATOR	N.A.
9	39461017	S3630	HOSE GRIP - LEFT	4.53
10	47551031	S3630	GRIP CONTROL PANEL	18.13
	51375132	S3630	NAME PLATE - GRIP CONTROL	N.A.
11	36153029	S3630	LATCH RING	1.12
12	38646081	S3630	INNER TUBE	4.86
13	46526004	S3630	CONNECTOR	5.43
14	36152029	S3630	PLUG LATCH	1.12
	40300051	S3630	CORD REPAIR KIT - 2 WIRE	N.L.A.



ASSEMBLY SCHEMATIC

MODEL NO.

S3639





18

PART LISTING / PRICE LIST

MODEL No.

S3639

ITEM	PART NUMBER	MODELS TO FIT	PART DESCRIPTION	LIST COST
1	37215182	S3639	TOOL LID	11.33
2	21447217	S3639	SCREW - SELF TAPPING	1.12
3	38314024	S3639	SPRING	1.12
4	41426144	S3639	MOTOR COVER - SAPPHIRE	21.26
5	41312042	S3639	MOTOR RETAINER ASSEMBLY - BLACK	6.00
6	34633003	S3639	RETAINER SEAL - RIGHT	N.A.
7		S3639	RETAINER	N.A.
8	27479307	S3639	CABLE TIE	.45
9	36235069	S3639	FURNITURE GUARD	N.A.
10	36322031	S3639	MOTOR MOUNT	3.39
11	43576190	S3639	MOTOR ASSEMBLY	104.64
12	34174012	S3639	EXHAUST FILTER	N.L.A.
13	012227--	S3639	TERMINAL	.79
14	018972--	S3639	TERMINAL	.89
15	38769019	S3639	EXHAUST FILTER CASE	1.81
16	21378160	S3639	RETAINING CLIP	N.A.
17	28382085	S3639	THERMAL PROTECTOR	6.79
18		S3639	CORD REEL SUPPORT - ORDER #62	N.A.
19		S3639	TORSION SPRING - ORDER #62	N.A.
20		S3639	BRAKE LEVER ASSEMBLY - ORDER #62	N.A.
21		S3639	BRAKE PAD - ORDER #62	N.A.
22		S3639	PUSH NUT - ORDER #62	N.A.
23		S3639	SLIP RING ASSEMBLY WHITE - ORDER #62	N.A.
24		S3639	SPACER - ORDER #62	N.A.
25		S3639	RETAINER - ORDER #62	N.A.
26	90001033	S3639	POWER CORD	15.87
27	36218018	S3639	FERRULE	N.A.
28		S3639	CONTACT SPRING - ORDER #62	N.A.
29		S3639	SLIP SPRING ASSEMBLY BLACK - ORDER #62	N.A.
30		S3639	SPOOL AND SPRING - ORDER #62	N.A.
31		S3639	BRUSH HOLDER - ORDER #62	N.A.
32	38522065	S3639	WHEEL	4.86
33	42215003	S3639	MAIN BODY / NOZZLE BASE	56.69
34	46326082	S3639	RECEPTACLE ASSEMBLY	3.16
35	41432040	S3639	WHEEL CARRIER	3.39
		S3639	WHEEL	N.A.



18

PART LISTING / PRICE LIST

MODEL No.

S3639

ITEM	PART NUMBER	MODELS TO FIT	PART DESCRIPTION	LIST COST
36	21447223	S3639	SCREW - SELF TAPPING	.23
37	36218020	S3639	CORD CHANNEL COVER	N.A.
38	36424010	S3639	BAG COLLAR SUPPORT	1.76
39	4010100S	S3639	TYPE S ALLERGEN BAG - 3 PACK	3.62 NON DISC
40	51151028	S3639	BAG INDICATOR	6.79
41	36424012	S3639	BAG COLLAR SEAL - BLACK	1.46
42	36151027	S3639	BAG LID HINGE	1.12
43	37944005	S3639	FILTER RETAINER	N.L.A.
44	38765009	S3639	SECONDARY / INLET FILTER	.32 NON DISC
45	42217184	S3639	BAG LID - SAPPHIRE TRANSPARENT	30.04
46	38351009	S3639	TORSION SPRING	1.12
47	36153040	S3639	BAG LID LATCH - BLACK	1.12
48	34633002	S3639	RETAINER SEAL - LEFT	N.A.
49	21466732	S3639	SCREW - SELF TAPPING	N.A.
50	34123040	S3639	RETAINER SEAL - CENTER	N.L.A.
51		S3639	TERMINAL	N.A.
52	28218061	S3639	SWITCH	2.80
53		S3639	SWITCH MOUNTING PLATE	N.A.
54	27617106	S3639	CONNECTOR	N.A.
55	37941043	S3639	THERMOSTAT COVER	N.A.
56	38314026	S3639	SPRING	3.39
57	23762005	S3639	PLUG	1.12
58	38458034	S3639	CORD REEL BRAKE ARM	2.59
59	38422184	S3639	SWITCH PEDAL	2.03
60	38422155	S3639	CORD REEL PEDAL - BLACK	1.81
61	21378159	S3639	SPEED CLIP	1.12
62	41911014	S3639	CORD REEL ASSEMBLY	56.69
63	40200013	S3639	TURBINE HAND TOOL	9.95 NON DISC
	58211011	S3639	BOTTOM SUPPORT - FRONT	N.A.
	58211012	S3639	BOTTOM SUPPORT - REAR	N.A.
	43453023	S3639	EXTENSION TUBE - CHROMIUM PLATED	29.47
	43453099	S3639	EXTENSION TUBE WITH BLACK STORAGE CLIP	28.34
	43414057	S3639	FURNITURE NOZZLE - BLACK	6.79
	43414064	S3639	DUSTING BRUSH	6.83
	43414073	S3639	FLOOR BRUSH - BLACK	14.73



PLUS
WindTunnel™

18

PART LISTING / PRICE LIST

ITEM	PART NUMBER	MODELS TO FIT	PART DESCRIPTION	LIST COST
	38617017	S3639	CREVICE TOOL - 7" BLACK	3.39
	43433110	S3639	HOSE ASSEMBLY COMPLETE / 2 WIRE - BLACK	113.39
	48438198	S3639	POWER NOZZLE COMPLETE - SAPPHIRE	N.L.A.

MODEL No.

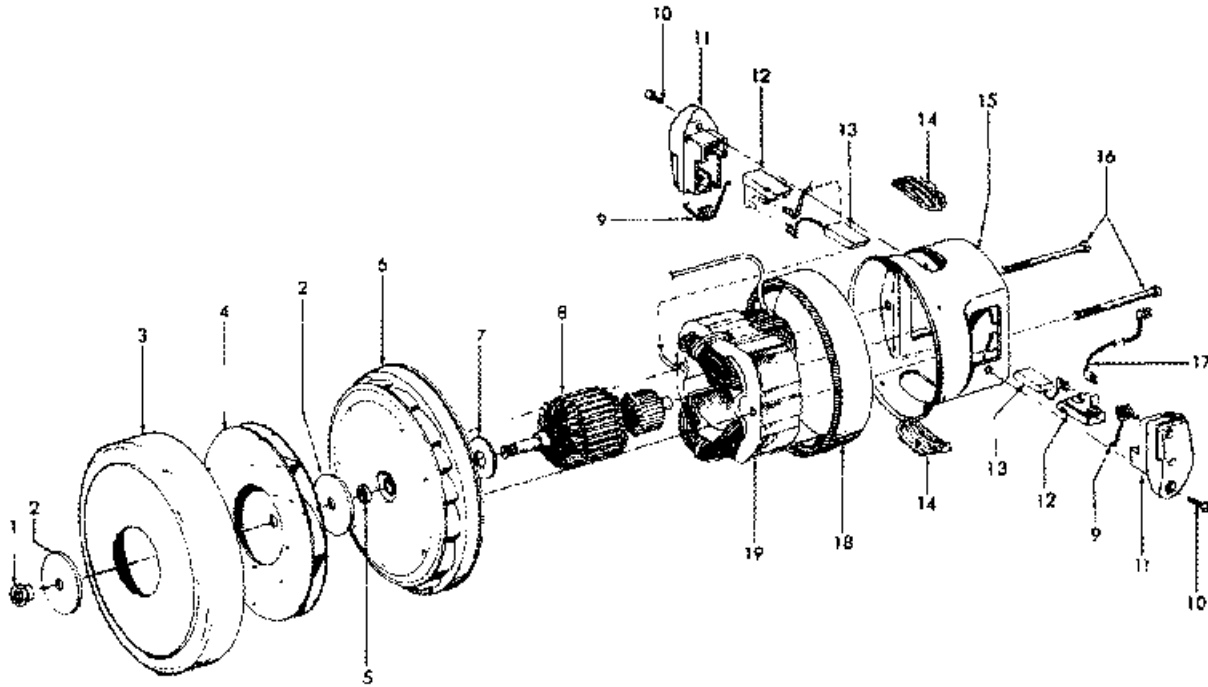
S3639



ASSEMBLY SCHEMATIC

MODEL NO.

S3639





18

PART LISTING / PRICE LIST

MODEL No.

S3639

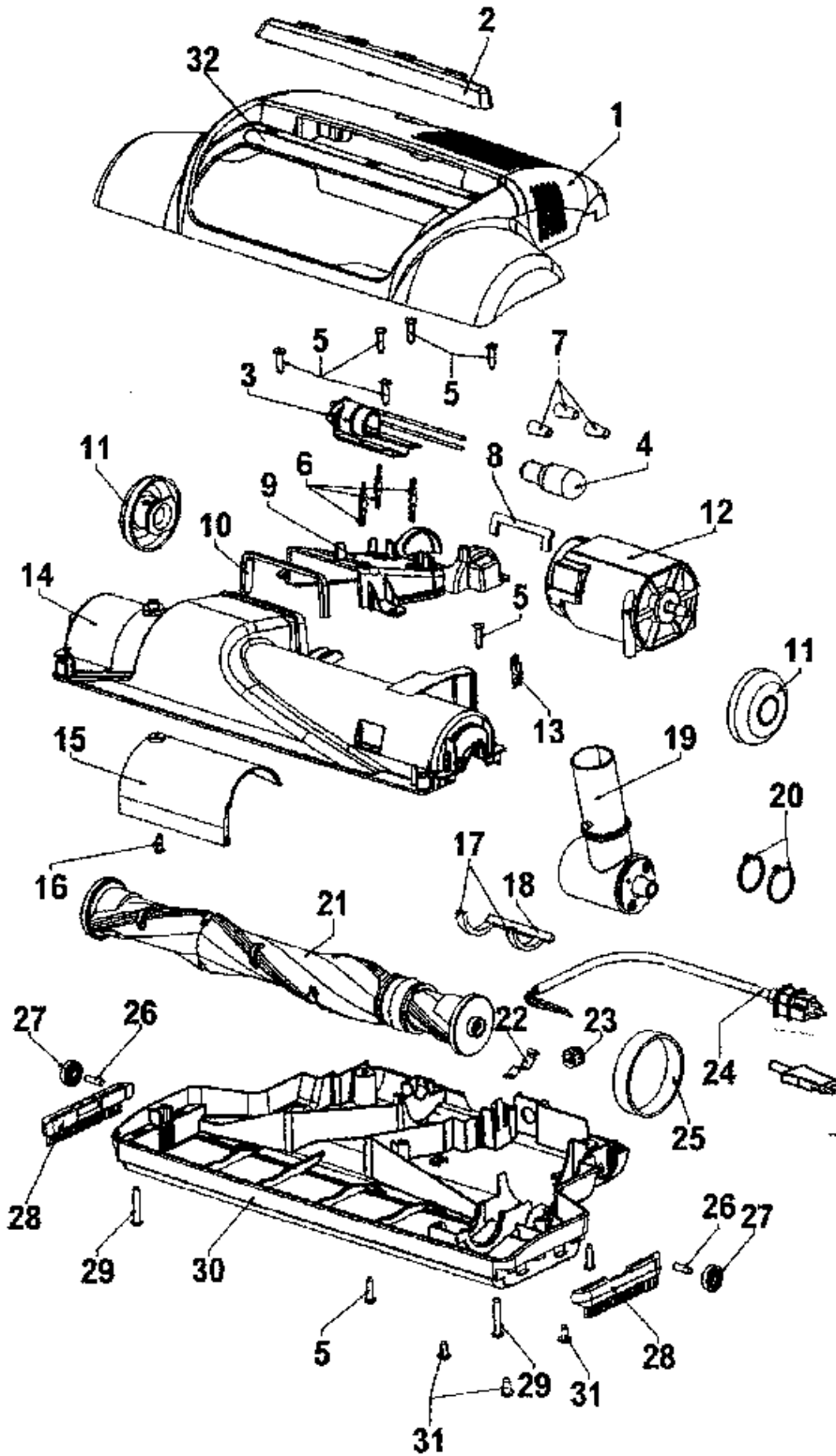
ITEM	PART NUMBER	MODELS TO FIT	PART DESCRIPTION	LIST COST
1	012028--	S3639	NUT	N.A.
2	21312774	S3639	WASHER	N.A.
3	37196065	S3639	FAN COVER	N.A.
4	43551008	S3639	FAN	7.36
5	31148009	S3639	SPACER	N.L.A.
	31148011	S3639	BEARING SPACER	.40
6	43551029	S3639	DIFFUSER ASSEMBLY	N.A.
7	31165003	S3639	BEARING RETAINER	N.A.
8	44765138	S3639	ARMATURE ASSEMBLY COMPLETE	N.A.
9	38353004	S3639	SPRING	1.12
10	21429406	S3639	SCREW	.40
11	167696AG	S3639	BRUSH HOUSING	1.69
12	47318008	S3639	BRUSH CARRIER ASSEMBLY	6.79
13	167681--	S3639	CARBON BRUSH AND TERMINAL	2.94
14	169702BZ	S3639	WIRE PROTECT BUSHING	N.A.
15	42193025	S3639	MOTOR HOUSING ASSEMBLY	11.33
16	21447222	S3639	FIELD LAMINATION BOLT	N.A.
	36112006	S3639	FIELD LAMINATION BOLT	N.A.
17	46176001	S3639	LEAD WIRE ASSEMBLY	N.A.
18	36322031	S3639	MOTOR MOUNT	3.39
19	45311051	S3639	FIELD COIL	69.86
	43576190	S3639	MOTOR ASSEMBLY COMPLETE	104.64



ASSEMBLY SCHEMATIC

MODEL NO.

S3639





18

PART LISTING / PRICE LIST

MODEL No.

S3639

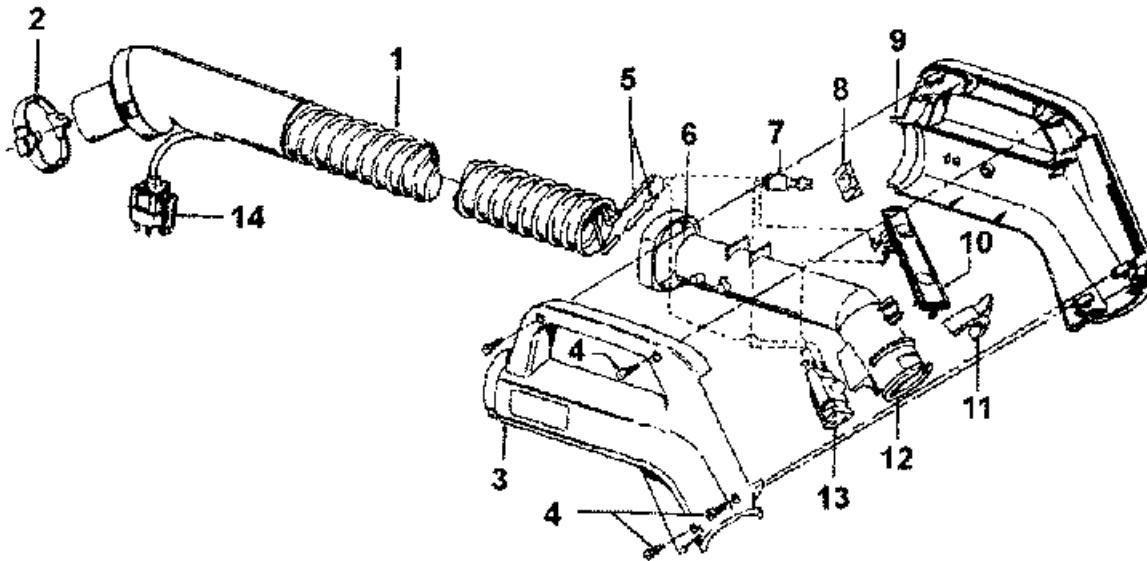
ITEM	PART NUMBER	MODELS TO FIT	PART DESCRIPTION	LIST COST
1	37253314	S3639	HOOD / NOZZLE COVER	N.L.A.
	37253310	S3639	HOOD / NOZZLE COVER - SUBSTITUTION	N.L.A.
2	39383142	S3639	DIRT FINDER LENS	.40
3	47171020	S3639	DIRT FINDER SOCKET	4.53
4	27317307	S3639	DIRT FINDER LAMP	6.20
5	21447003	S3639	SCREW	.57
6	36218026	S3639	GROMMET	.88
7	27618508	S3639	WIRE CONNECTOR	1.12
8	34253018	S3639	REAR SEAL	.40
9	37243066	S3639	DUCT COVER	3.29
10	34113008	S3639	SEAL	1.12
11	90001395	S3639	REAR WHEEL ASSEMBLY	5.66
12	90001369	S3639	MOTOR ASSEMBLY	85.04
13	013261AY	S3639	RIB SHOE	.57
14	37243067	S3639	AGITATOR / BRUSH ROLL COVER	13.44
15	37243030	S3639	DUCT COVER	3.39
16	21479449	S3639	SCREW	1.12
17	34122014	S3639	SEAL	1.12
18	34112007	S3639	SEAL	1.12
19	43482114	S3639	NOZZLE COVER CONNECTOR - BLACK	3.08
20	27479307	S3639	CABLE TIE	.45
21	90001371	S3639	AGITATOR / BRUSH ROLL	22.67
22	35276008	S3639	DETENTION SPRING	N.L.A.
23	163768--	S3639	STRAIN RELIEF	1.12
24	46521021	S3639	POWER NOZZLE CORD - 3 PRONG	10.20
25	38528036	S3639	BELT	.85 NON DISC
26	31522004	S3639	WHEEL SHAFT	1.12
27	32761001	S3639	WHEEL	2.26
28	39511004	S3639	LITTER PICKER	2.26
29	21447236	S3639	SCREW	1.12
30	37245104	S3639	BASE PLATE/NOZZLE GUARD - W/LITTER PICKER	21.92
31	21479801	S3639	SCREW - SELF TAPPING	.57
32	51669082	S3639	NAME PLATE	N.L.A.



ASSEMBLY SCHEMATIC

MODEL NO.

S3639





18

PART LISTING / PRICE LIST

MODEL No.

S3639

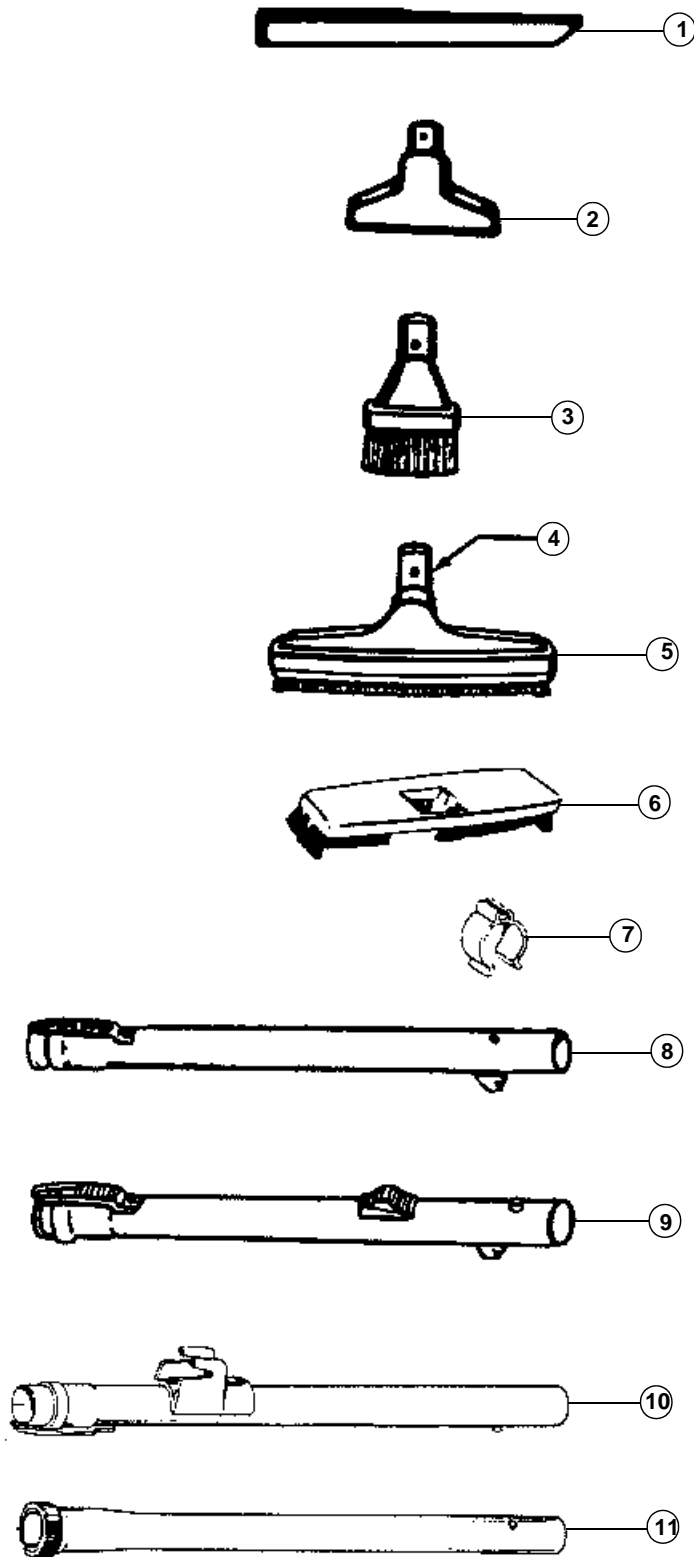
ITEM	PART NUMBER	MODELS TO FIT	PART DESCRIPTION	LIST COST
1	43433110	S3639	HOSE ASSEMBLY / 2 WIRE - BLACK	113.39
2	36153038	S3639	HOSE RELEASE LATCH	1.46
3	39461018	S3639	HOSE GRIP - RIGHT	4.53
4	21447124	S3639	SCREW	N.A.
5	27613002	S3639	SPLICE	1.12
	31712006	S3639	INSULATING SLEEVE	.57
6	36131087	S3639	RETAINING RING	N.L.A.
7	018972--	S3639	TERMINAL INSULATED	.89
8	36913030	S3639	INSULATOR	N.A.
9	39461017	S3639	HOSE GRIP - LEFT	4.53
10	47551031	S3639	GRIP CONTROL PANEL	18.13
	51375132	S3639	NAME PLATE - GRIP CONTROL	N.A.
11	36153029	S3639	LATCH RING	1.12
12	38646081	S3639	INNER TUBE	4.86
13	46526004	S3639	CONNECTOR	5.43
14	36152029	S3639	PLUG LATCH	1.12
	40300051	S3639	CORD REPAIR KIT - 2 WIRE	N.L.A.



ASSEMBLY SCHEMATIC

MODEL NO.

S3630
S3639





18

PART LISTING / PRICE LIST

MODEL No.

S3630
S3639

ITEM	PART NUMBER	MODELS TO FIT	PART DESCRIPTION	LIST COST
1	38617017	S3630, S3639	CREVICE TOOL - 7" BLACK	3.39
2	43414057	S3630, S3639	FURNITURE NOZZLE - BLACK	6.79
3	43414064	S3630, S3639	DUSTING BRUSH	6.83
4	38644020	S3630, S3639	SWIVEL CONNECTOR	2.82
5	43414073	S3630, S3639	FLOOR BRUSH - BLACK	14.73
6	48447001	S3630, S3639	BRUSH BACK	6.79
7	36172584	S3630, S3639	CORD / WAND CLIP	N.A.
8	43453052	S3630, S3639	EXTENSION TUBE 20" - CHROMIUM PLATED	26.07
	43453027	S3630, S3639	EXTENSION TUBE	22.67
9	43453023	S3630, S3639	EXTENTION TUBE - CHROMIUM PLATED	29.47
10	43453095	S3630	EXTENSION TUBE 20" - CHROMIUM PLATED	28.34
	43453098	S3630	EXTENSION TUBE WITH GREY STORAGE CLIP	28.34
	43453099	S3630, S3639	EXTENSION TUBE WITH BLACK STORAGE CLIP	28.34
11	3863801P	S3630, S3639	EXTENTION TUBE	6.79

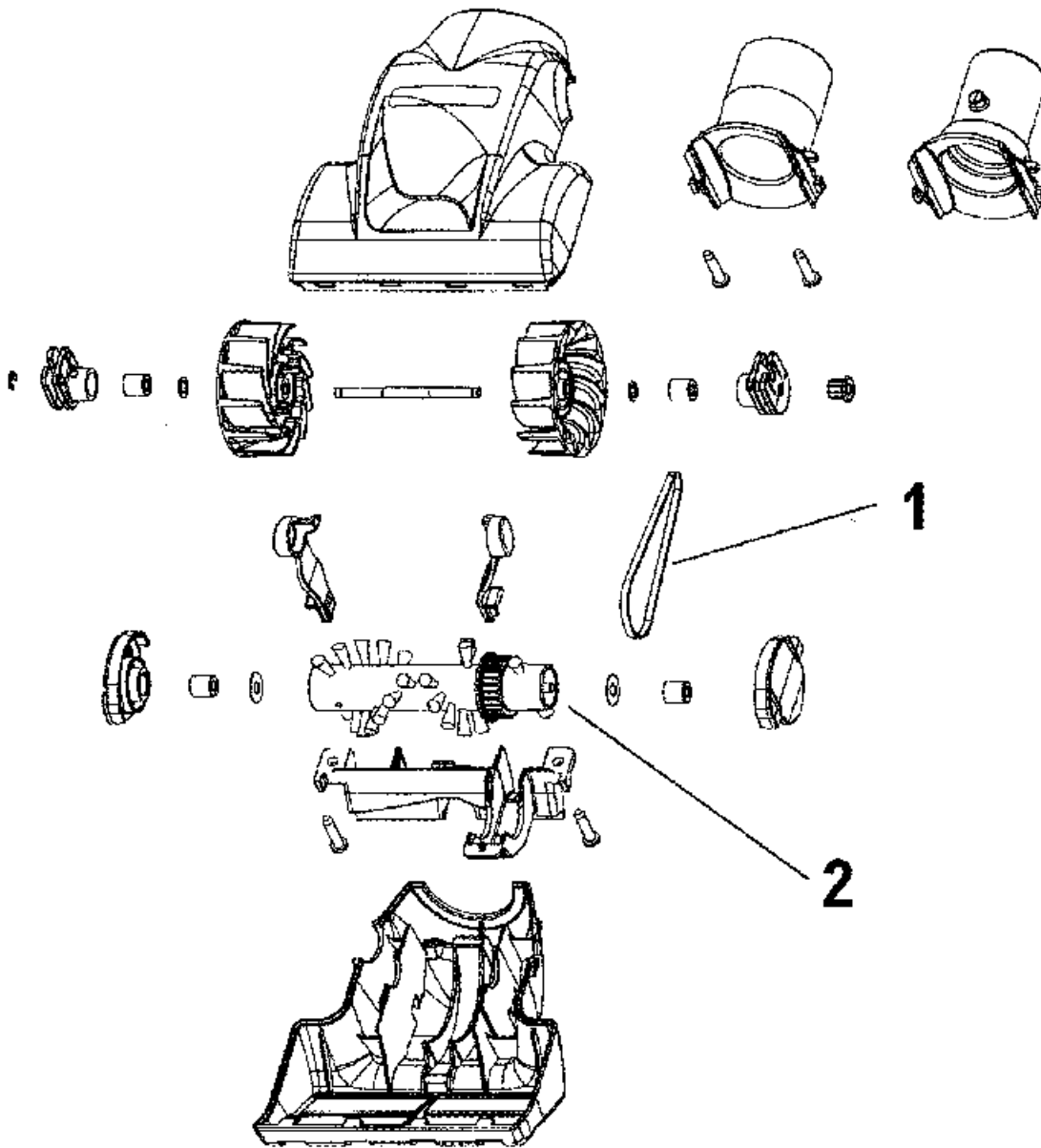


ASSEMBLY SCHEMATIC

MODEL NO.

S3630

S3639





18

PART LISTING / PRICE LIST

MODEL No.

S3630
S3639

ITEM	PART NUMBER	MODELS TO FIT	PART DESCRIPTION	LIST COST
1	38528037	S3630, S3639	TURBINE BELT	5.24
2	48414088	S3630, S3639	TURBINE AGITATOR / BRUSH ROLL	18.13
	048495AY	S3630, S3639	THREAD GUARD - LEFT	3.39
	43267002	S3630, S3639	AGITATOR / BRUSH ROLL BEARING	2.59
	21347003	S3630, S3639	CONICAL WASHER	1.12
	36422001	S3630, S3639	AGITATOR / BRUSH ROLL END	2.26
	41435018	S3630, S3639	THREAD GUARD	6.79
	38537008	S3630, S3639	END PULLEY	N.L.A.
	48418001	S3630, S3639	BRUSH RING	4.86
	31722019	S3630, S3639	SPACER	1.12
	32724005	S3630, S3639	AGITATOR / BRUSH ROLL SHAFT	4.86
	38632012	S3630, S3639	CONNECTOR	1.12
	40200013	S3630, S3639	TURBINE HAND TOOL	9.95 NON DISC
	49129009	S3639	TURBINE HAND TOOL	40.81



WINDTUNNEL
Bagless

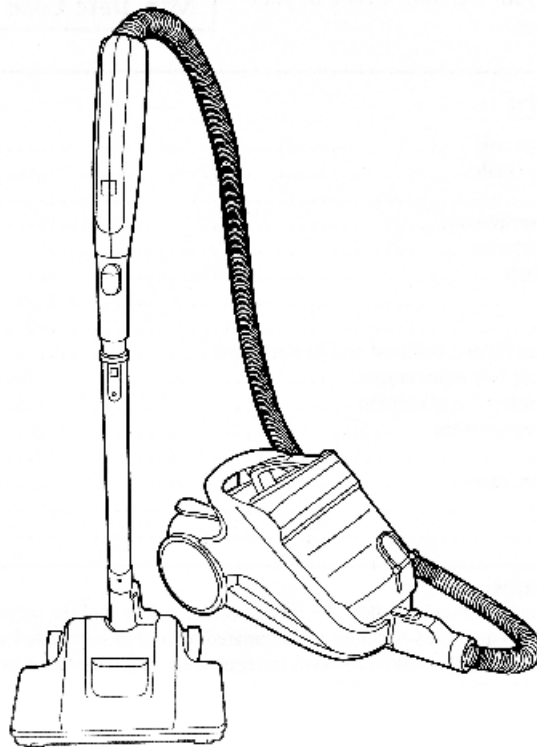
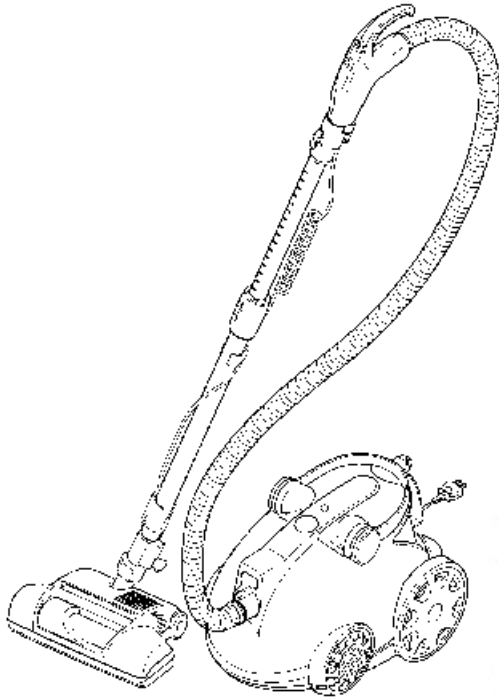
ELITE CYCLONIC

SECTION CONTENTS

<u>MODEL NO.</u>	<u>PAGE NO.</u>
S3755	19-2 THRU 19-9
S3765	19-2 THRU 19-9
S3825	19-10 THRU 19-11

MODEL NO.

S3755
S3765
S3825



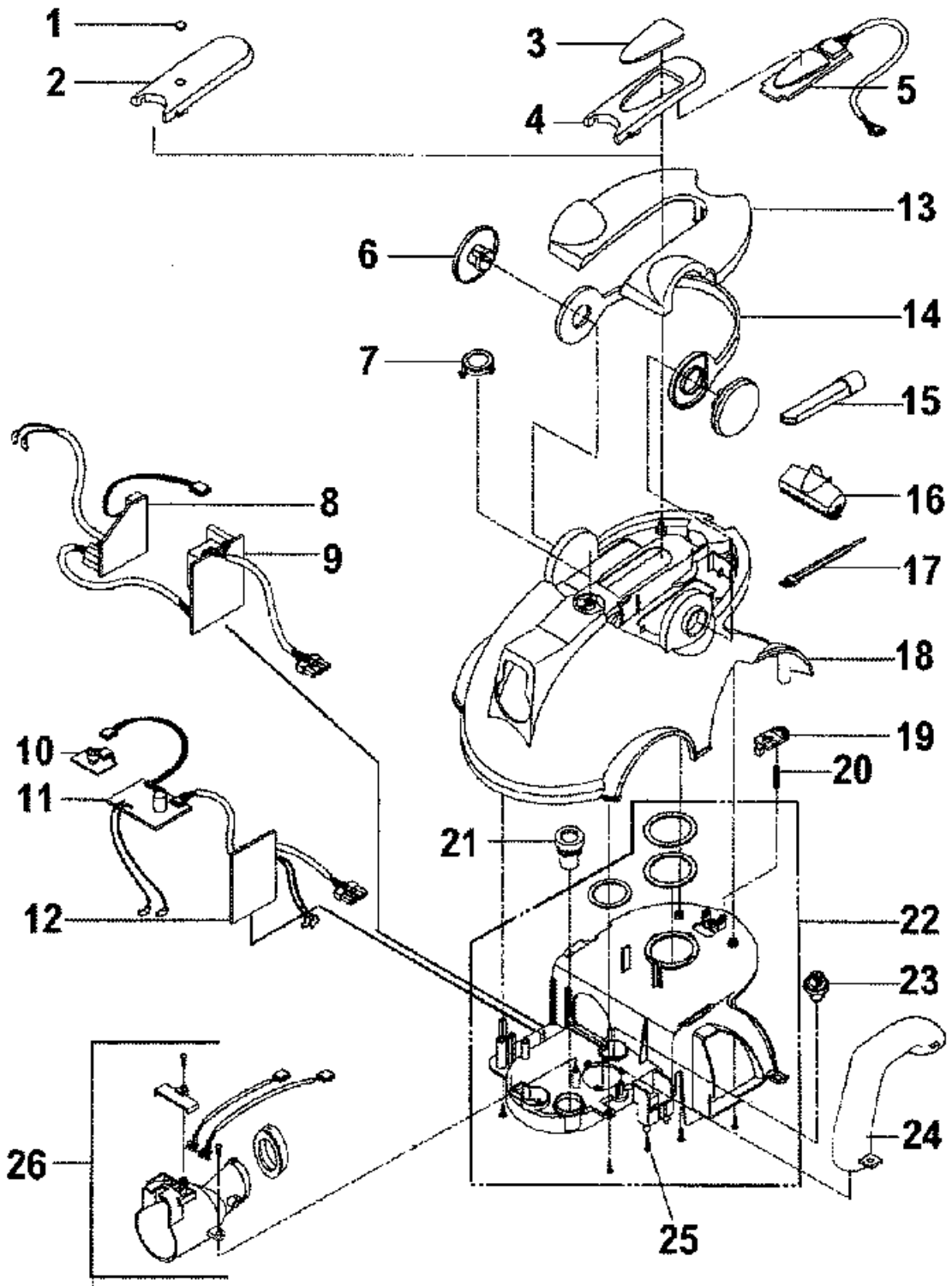
- * PRICING, SPECIFICATION'S, AND PRODUCT AVAILABILITY ARE SUBJECT TO CHANGE WITHOUT NOTICE. PRICING IS FOB FACTORY, CANTON, OH
- * ALL INFORMATION CONTAINED WITHIN THIS SERVICE MANUAL IS PROPRIETARY INFORMATION OF TTI FLOOR CARE NORTH AMERICA.
- * **WARNING:** TO REDUCE THE RISK OF ELECTRICAL SHOCK OR INJURY, ALWAYS DISCONNECT THE APPLIANCE CORD FROM THE ELECTRICAL OUTLET OR REMOVE BATTERY PRIOR TO SERVICING THE UNIT.



ASSEMBLY SCHEMATIC

MODEL NO.

S3755
S3765





19

PART LISTING / PRICE LIST

MODEL No.

S3755
S3765

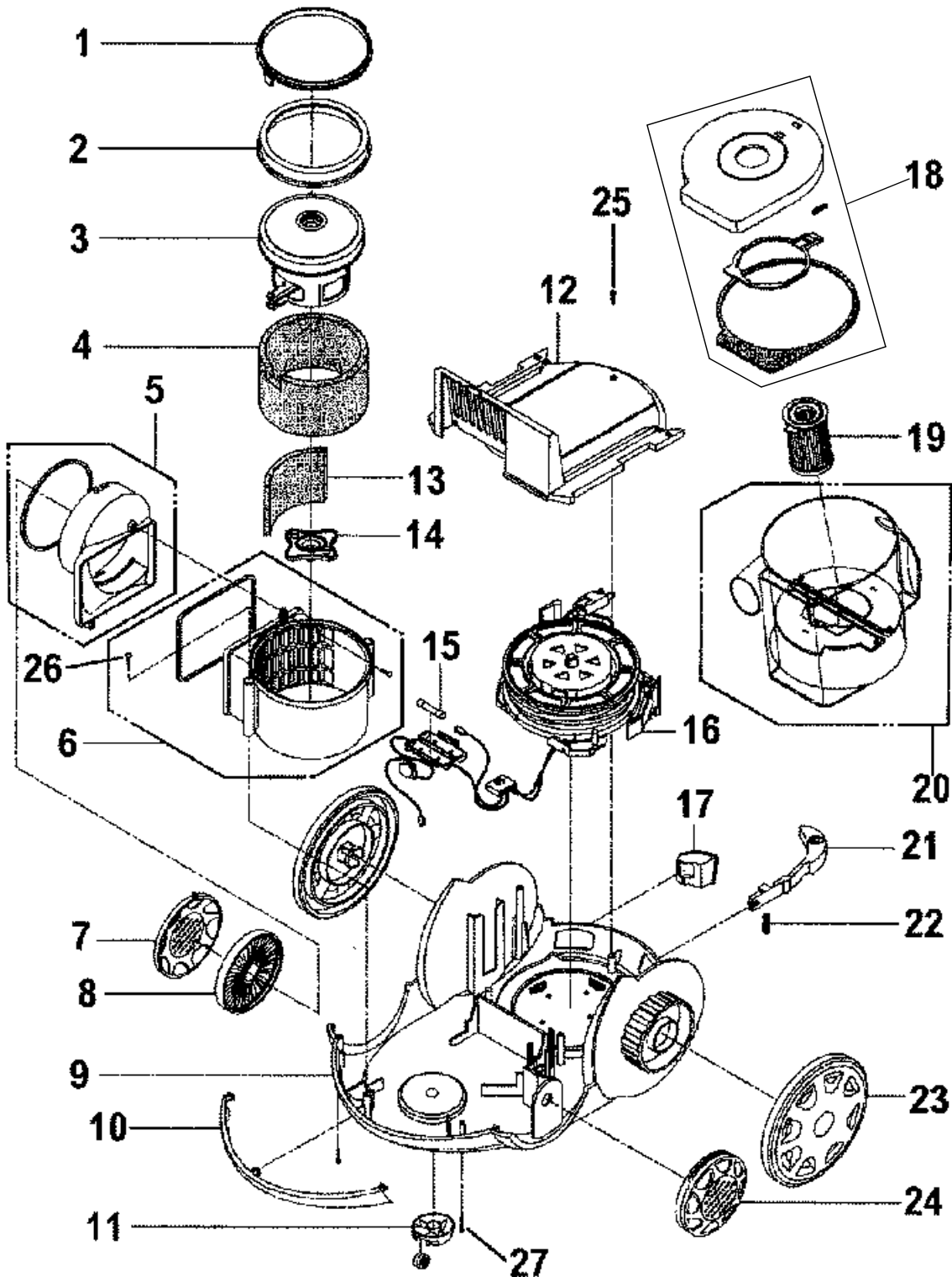
ITEM	PART NUMBER	MODELS TO FIT	PART DESCRIPTION	LIST COST
1	59134014	S3755	SENSOR COVER	N.L.A.
2	59134012	S3755	PANEL BOARD	15.87
3	59134015	S3765	SENSOR COVER	11.49
4	59134013	S3765	PANEL BOARD	15.87
5	59134052	S3765	DISPLAY BOARD	34.49
6	59134031	S3755	HANDLE CAP	6.79
	59134032	S3765	HANDLE CAP	6.79
7	59134048	S3755	CIRCULAR HOLE CAP	4.53
	59134049	S3765	CIRCULAR HOLE CAP	N.L.A.
8	59134038	S3765	PCB ASSEMBLY	31.61
9	59134036	S3765	MAIN PCB ASSEMBLY	34.49
10	59134051	S3755, S3765	PCB DISPLAY ASSEMBLY	17.00
11	59134037	S3755	PCB ASSEMBLY	17.00
12	59134035	S3755	MAIN PCB ASSEMBLY	31.61
13	59134053	S3755, S3765	ACCESSORY COVER	11.49
14	59134016	S3755, S3765	HANDLE	7.93
15	59134060	S3755, S3765	CREVICE TOOL	3.96
16	59134058	S3755, S3765	DUSTING BRUSH	6.79
17	59134059	S3755, S3765	FILTER CLEANING TOOL	3.96
18	59134039	S3755	COVER	34.49
	59134040	S3765	COVER	34.49
19	59134019	S3755, S3765	LATCH COVER	5.66
20	59134054	S3755, S3765	LATCH COVER SPRING	3.44
21	59134047	S3755, S3765	DAMPER ASSEMBLY	7.96
22	59134010	S3755	BODY COVER WITH GASKET	30.61
	59134011	S3765	BODY COVER WITH GASKET	30.61
23	59134034	S3755, S3765	PRESSURE SWITCH	19.54
24	59134057	S3755, S3765	CONNECTOR - PIPE	15.30
25	59134087	S3755, S3765	SCREW - CORD REEL	2.06
26	59134055	S3755	CONNECTOR ASSEMBLY	17.24
	59134056	S3765	CONNECTOR ASSEMBLY	17.24
	92001259	S3755, S3765	12" FLOOR BRUSH ASSEMBLY	17.00
	49129032	S3765	TURBINE TOOL	14.62



ASSEMBLY SCHEMATIC

MODEL NO.

S3755
S3765





19

PART LISTING / PRICE LIST

MODEL No.

S3755
S3765

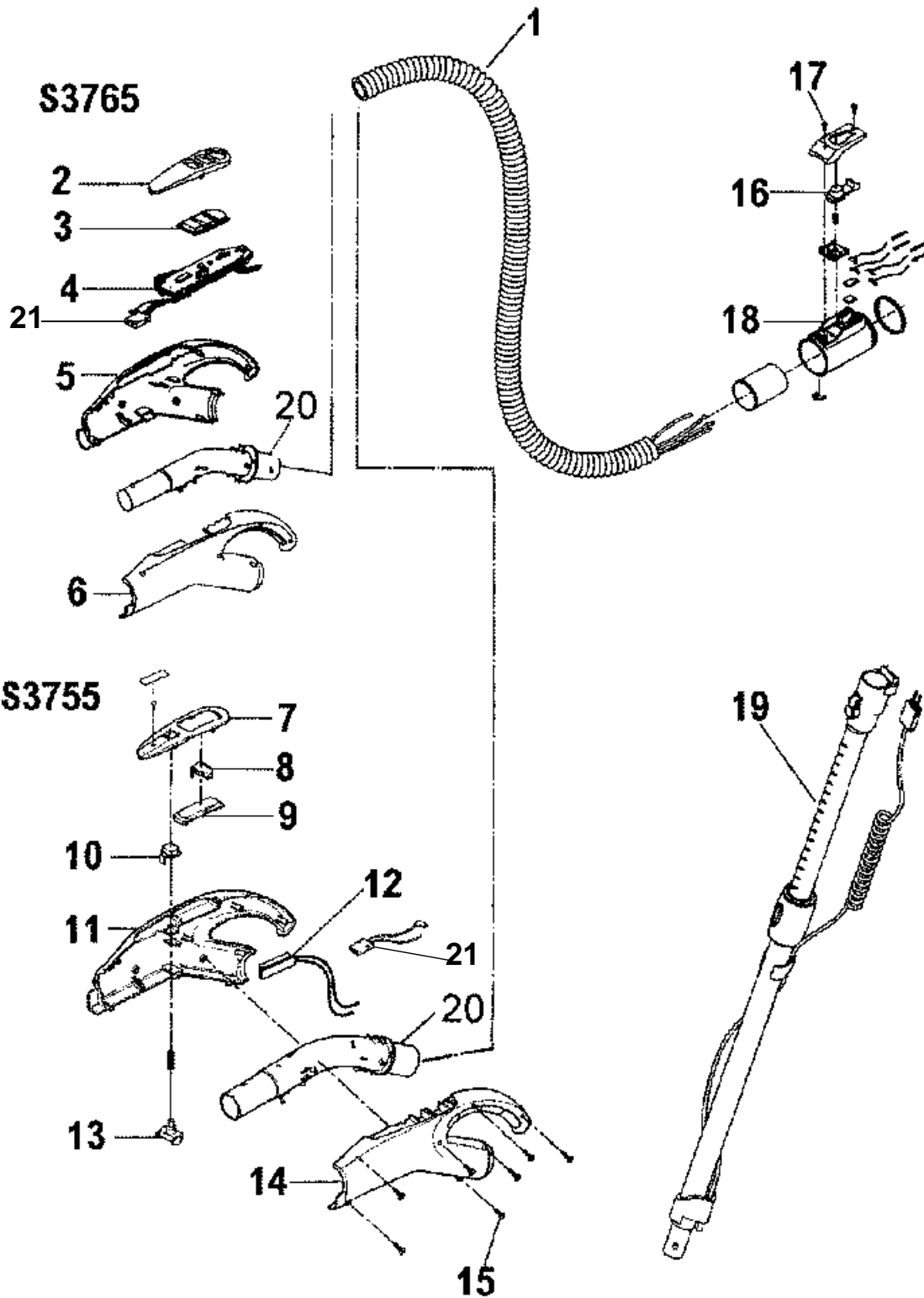
ITEM	PART NUMBER	MODELS TO FIT	PART DESCRIPTION	LIST COST
1	59134008	S3755, S3765	MOTOR HOUSING COVER	6.79
2	59134017	S3755, S3765	MOTOR HOUSING SEAL	11.33
3	59134026	S3755, S3765	MOTOR	80.49
4	59134046	S3755, S3765	SPONGE - NOISE CONDENSOR	5.66
5	59134030	S3755, S3765	EXHAUST GUIDE WITH GASKET	9.06
6	59134045	S3755, S3765	MOTOR HOUSING WITH GASKET	16.09
7	59134041	S3755	EXHAUST FILTER COVER	8.39
	59134042	S3765	EXHAUST FILTER COVER	11.33
8	59134050	S3755, S3765	HEPA EXHAUST FILTER	17.00
9	59134007	S3755, S3765	MAIN BODY ASSEMBLY	29.69
10	59134028	S3755, S3765	BUMPER	7.36
11	59134021	S3755, S3765	CASTER	6.79
12	59134009	S3755, S3765	CORD REEL COVER	19.83
13	59134085	S3755, S3765	PRE EXHAUST FILTER	4.59
14	59134018	S3755, S3765	MOTOR HOUSING SEAL	6.23
15	59134086	S3755, S3765	FUSE	4.59
16	59134027	S3755, S3765	CORD REEL	34.49
17	59134029	S3755, S3765	PLUG HOLDER	6.00
18	59134020	S3755, S3765	DUST CAP ASSEMBLY - WITH LOCKER	14.73
19	59134033	S3755, S3765	DIRT CUP FILTER ASSEMBLY	20.99
20	59134061	S3755, S3765	DIRT CUP ASSEMBLY - DOES NOT INCLUDE FLAPS	34.49
	59134269	S3755, S3765	DIRT CUP ASSEMBLY - DOES INCLUDE FLAPS	26.81
21	59134022	S3755	CORD WINDING LEVER	4.86
	59134023	S3765	CORD WINDING LEVER	6.00
22	59134071	S3755, S3765	CORD WINDING LEVER SPRING	2.29
23	59134024	S3755	WHEEL	9.19
	59134025	S3765	WHEEL	9.19
24	59134044	S3755, S3765	EXHAUST FILTER COVER	9.19
25	59134087	S3755, S3765	SCREW - CORD REEL COVER	2.06
26	59134087	S3755, S3765	SCREW - CORD REEL	2.06
27	59134089	S3755, S3765	SCREW - MAIN BODY	.91



ASSEMBLY SCHEMATIC

MODEL NO.

S3755
S3765





19

PART LISTING / PRICE LIST

MODEL No.

S3755
S3765

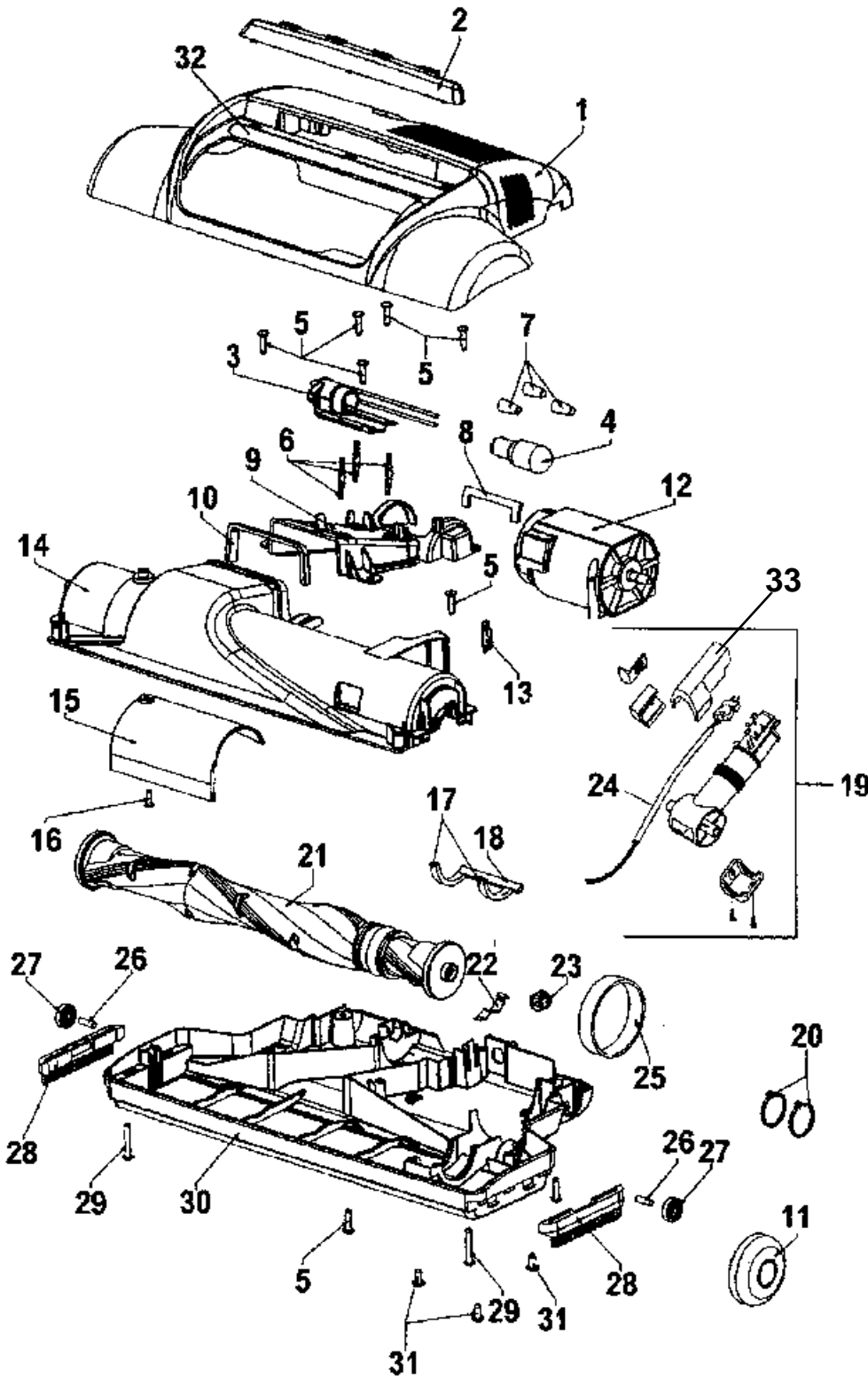
ITEM	PART NUMBER	MODELS TO FIT	PART DESCRIPTION	LIST COST
1	59134099	S3755	HOSE ASSEMBLY - SLIDE BUTTON CONTROL	129.36
	59134098	S3765	HOSE ASSEMBLY - PUSH BUTTON CONTROL	129.66
2	59134073	S3765	CONTROL COVER	6.00
3	59134075	S3765	POWER SWITCH BUTTON	1.54
4	59134066	S3765	PCB ASSEMBLY	17.00
	93001827	S3765	ELECTRICAL RECEPTACLE - FEMALE PLUG	N.L.A.
5	59134077	S3765	HANDLE GRIP COVER - RIGHT	8.49
6	59134078	S3765	HANDLE GRIP COVER - LEFT	8.49
7	59134074	S3755	CONTROL COVER	6.00
8	59134081	S3755	SLIDE CONTROL	3.96
9	59134082	S3755	SLIDE PLATE	2.94
10	59134076	S3755	POWER SWITCH BUTTON	1.54
11	59134079	S3755	HANDLE GRIP COVER - RIGHT	11.49
12	59134065	S3755	PCB ASSEMBLY	14.73
	93001827	S3755	ELECTRICAL RECEPTACLE - FEMALE PLUG	N.L.A.
13	59134062	S3755	POWER NOZZLE SWITCH	11.33
14	59134080	S3755	HANDLE GRIP COVER - LEFT	11.49
15	59134087	S3755, S3765	SCREW	2.06
16	59134083	S3755, S3765	FITTING HOOK	2.94
17	59134087	S3755, S3765	SCREW	2.06
18	59134084	S3755, S3765	PIPE FITTING	7.36
19	93001798	S3755, S3765	TELESCOPING WAND	57.49
20	59134094	S3755, S3765	INNER TUBE	N.A.
21	93001827	S3755, S3765	ELECTRICAL RECEPTACLE - FEMALE PLUG	N.L.A.



ASSEMBLY SCHEMATIC

MODEL NO.

S3755
S3765





19

PART LISTING / PRICE LIST

MODEL No.

S3755
S3765

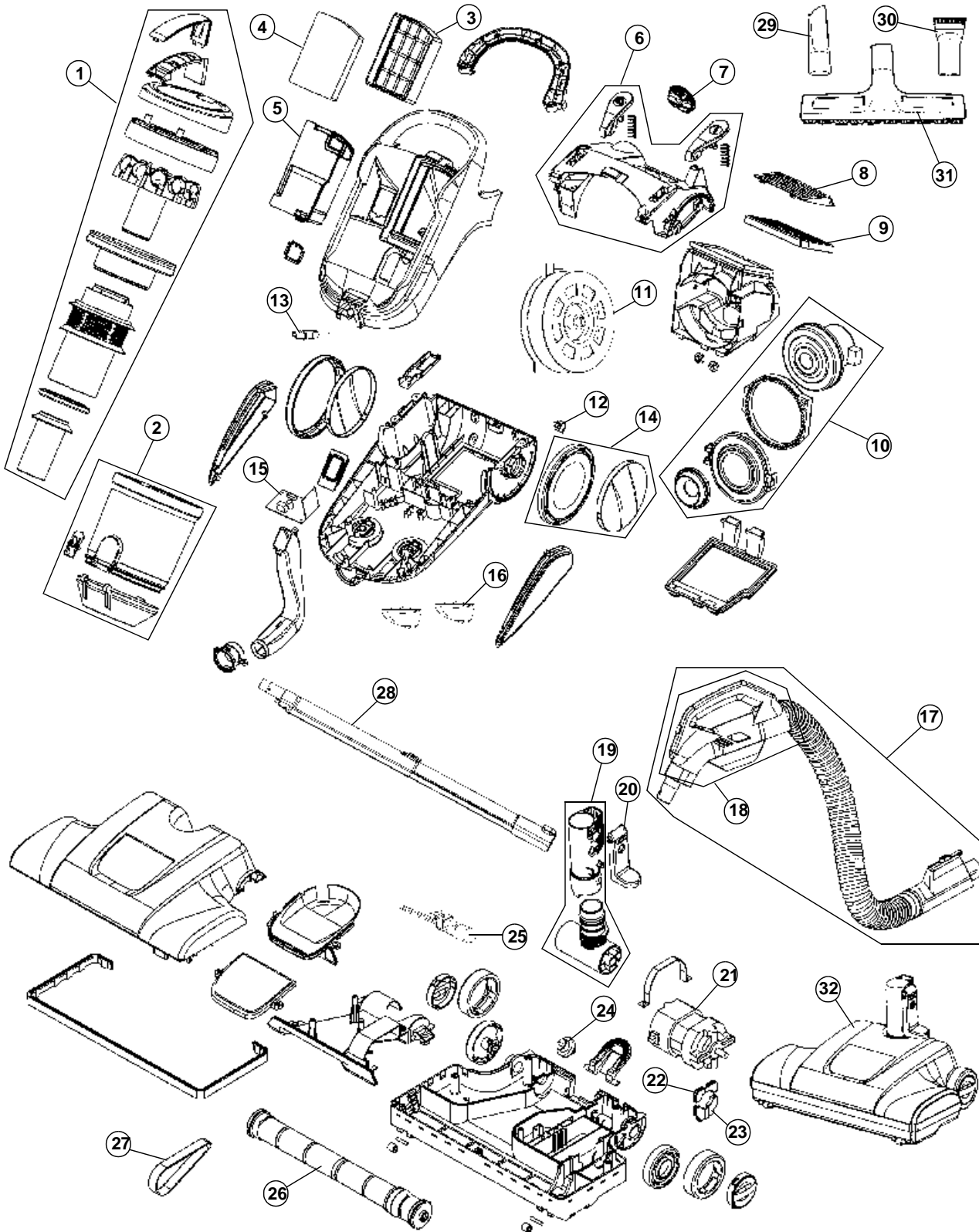
ITEM	PART NUMBER	MODELS TO FIT	PART DESCRIPTION	LIST COST
1	37253A17	S3755, S3765	HOOD / NOZZLE COVER - PEWTER METALLIC	11.33
2	39383142	S3755, S3765	DIRT FINDER LENS	.40
3	47171020	S3755, S3765	DIRT FINDER SOCKET	4.53
4	27317307	S3755, S3765	DIRT FINDER LAMP	6.20
5	21447003	S3755, S3765	SCREW	.57
6	36218026	S3755, S3765	ISOLATION GROMMET	.88
7	27618508	S3755, S3765	WIRE CONNECTOR	1.12
8		S3755, S3765	REAR SEAL	N.A.
9	37243066	S3755, S3765	DUCT COVER	3.29
10	34113008	S3755, S3765	SEAL	1.12
11	90001395	S3755, S3765	REAR WHEEL ASSEMBLY	5.66
12	90001369	S3755, S3765	POWER NOZZLE MOTOR	85.04
13	013261AY	S3755, S3765	RIB SHOES	.57
14	37243067	S3755, S3765	AGITATOR / BRUSH ROLL COVER	13.44
15	37243030	S3755, S3765	DUCT COVER	3.39
16	21479449	S3755, S3765	SCREW	1.12
17	34122014	S3755, S3765	SEAL	1.12
18	34112007	S3755, S3765	SEAL	1.12
19	38646097	S3755, S3765	QUICK DISCONNECT ASSEMBLY	26.62
20	27479307	S3755, S3765	CABLE TIE	.45
21	90001371	S3755, S3765	AGITATOR / BRUSH ROLL	22.67
22	35276008	S3755, S3765	DETENT SPRING	N.L.A.
23	27482146	S3755, S3765	STRAIN RELIEF	N.L.A.
24	59134072	S3755, S3765	POWER CORD	7.93
25	38528036	S3755, S3765	BELT	.85 NON DISC
26	31522004	S3755, S3765	WHEEL SHAFT	1.12
27	32761001	S3755, S3765	WHEEL	2.26
28	39511004	S3755, S3765	LITTER PICKER	2.26
29	21447236	S3755, S3765	SCREW	1.12
30	37245104	S3755, S3765	BASE PLATE / GUARD WITH LITTER PICKER	21.92
31	21479801	S3755, S3765	SCREW - SELF TAPPING	.57
32	51669095	S3755, S3765	NAME PLATE	3.39
33	38634101	S3755, S3765	HOLDER - PIPE SUCTION	1.08
	90001377	S3755, S3765	POWER NOZZLE COMPLETE	170.09



ELITE CYCLONIC

19

ASSEMBLY SCHEMATIC



MODEL NO.

S3825



ELITE CYCLONIC

19

PART LISTING / PRICE LIST

MODEL No.

S3825

ITEM	PART NUMBER	MODELS TO FIT	PART DESCRIPTION	LIST COST
1	59135332	S3825	DIRT CUP LID ASSEMBLY	26.09
2	59135333	S3825	DIRT CUP ASSEMBLY	15.05
3	59135326	S3825	PRE-MOTOR FILTER FRAME ASSEMBLY	6.58
4	59135311	S3825	PRE-MOTOR FOAM FILTER	2.10
5	59135327	S3825	PRE-MOTOR FILTER COVER ASSEMBLY	4.20
6	59135325	S3825	REAR COVER ASSEMBLY	12.74
7	59135331	S3825	CORD EXIT COVER	.77
8	59135324	S3825	EXHAUST FILTER COVER	1.82
9	AH40010	S3825	HEPA EXHAUST FILTER - 1 PACK	4.49 NON DISC
10	59135320	S3825	MOTOR ASSEMBLY COMPLETE	59.75
11	59135321	S3825	CORD REEL ASSEMBLY	52.27
12	59135323	S3825	POWER SWITCH	2.40
13	59135328	S3825	FEMALE CONNECTOR - INLET	4.62
14	59135329	S3825	REAR WHEEL ASSEMBLY	10.60
15	59135322	S3825	PCB ASSEMBLY WITH LEADS	4.50
16	59135330	S3825	FRONT CASTER WHEEL ASSEMBLY	2.86
17	59135334	S3825	HOSE ASSEMBLY COMPLETE WITH HANDLE GRIP ASSEMBLY	63.87
18	59135335	S3825	HANDLE GRIP WITH WIRING ASSEMBLY - LEFT	2.38
	59135323	S3825	POWER SWITCH	2.40
19	59135340	S3825	QUICK DISCONNECT ASSEMBLY	6.23
20	59135341	S3825	WAND RELEASE PEDAL	1.26
21	59135337	S3825	MOTOR ASSEMBLY - POWER NOZZLE	36.07
22	59135338	S3825	UPPER MOTOR SEAL - POWER NOZZLE MOTOR	.53
23	59135339	S3825	LOWER MOTOR SEAL - POWER NOZZLE MOTOR	5.67
24	59135319	S3825	STRAIN RELIEF	.28
25	59135317	S3825	LIGHT BULB - 904	2.26
26	59135316	S3825	AGITATOR / BRUSH ROLL	21.00
27	59135309	S3825	BELT	2.18
	AH20000	S3825	BELT - 2 PACK	1.50 NON DISC
28	59135313	S3825	TELESCOPIC WAND ASSEMBLY	40.46
29	59135314	S3825	CREVICE TOOL	.84
30	59135315	S3825	DUSTING BRUSH ASSEMBLY	1.40
31	59135318	S3825	HARD FLOOR BRUSH - 12"	12.46
32	59135336	S3825	POWER NOZZLE COMPLETE	86.80



WINDTUNNEL
Bagless

ELITE CYCLONIC

19

NOTES

MODEL NO.

S3755
S3765
S3825



Wet Dry
HandVac



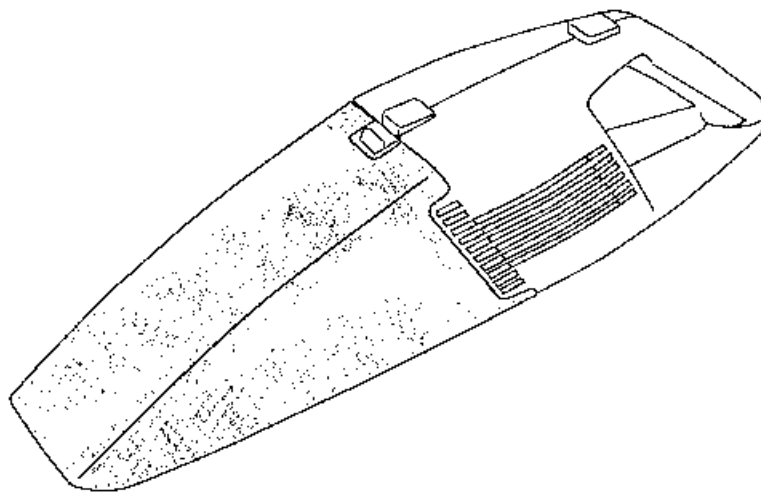
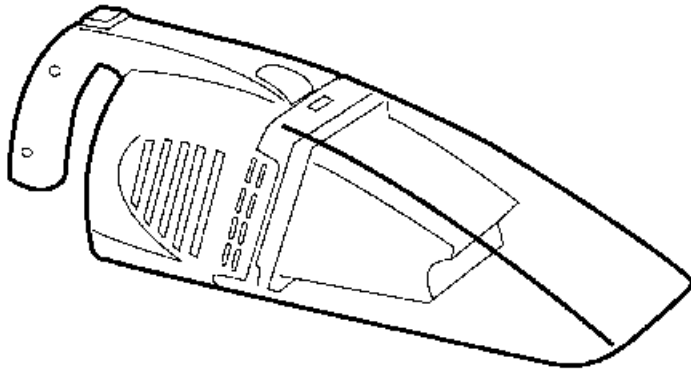
20

SECTION CONTENTS

<u>MODEL NO.</u>	<u>PAGE NO.</u>
S1120	20-2 THRU 20-3
L2020	20-4 THRU 20-5

MODEL NO.

L2020
S1120



- * PRICING, SPECIFICATION'S, AND PRODUCT AVAILABILITY ARE SUBJECT TO CHANGE WITHOUT NOTICE. PRICING IS FOB FACTORY, CANTON, OH
- * ALL INFORMATION CONTAINED WITHIN THIS SERVICE MANUAL IS PROPRIETARY INFORMATION OF TTI FLOOR CARE NORTH AMERICA.
- * **WARNING:** TO REDUCE THE RISK OF ELECTRICAL SHOCK OR INJURY, ALWAYS DISCONNECT THE APPLIANCE CORD FROM THE ELECTRICAL OUTLET OR REMOVE BATTERY PRIOR TO SERVICING THE UNIT.



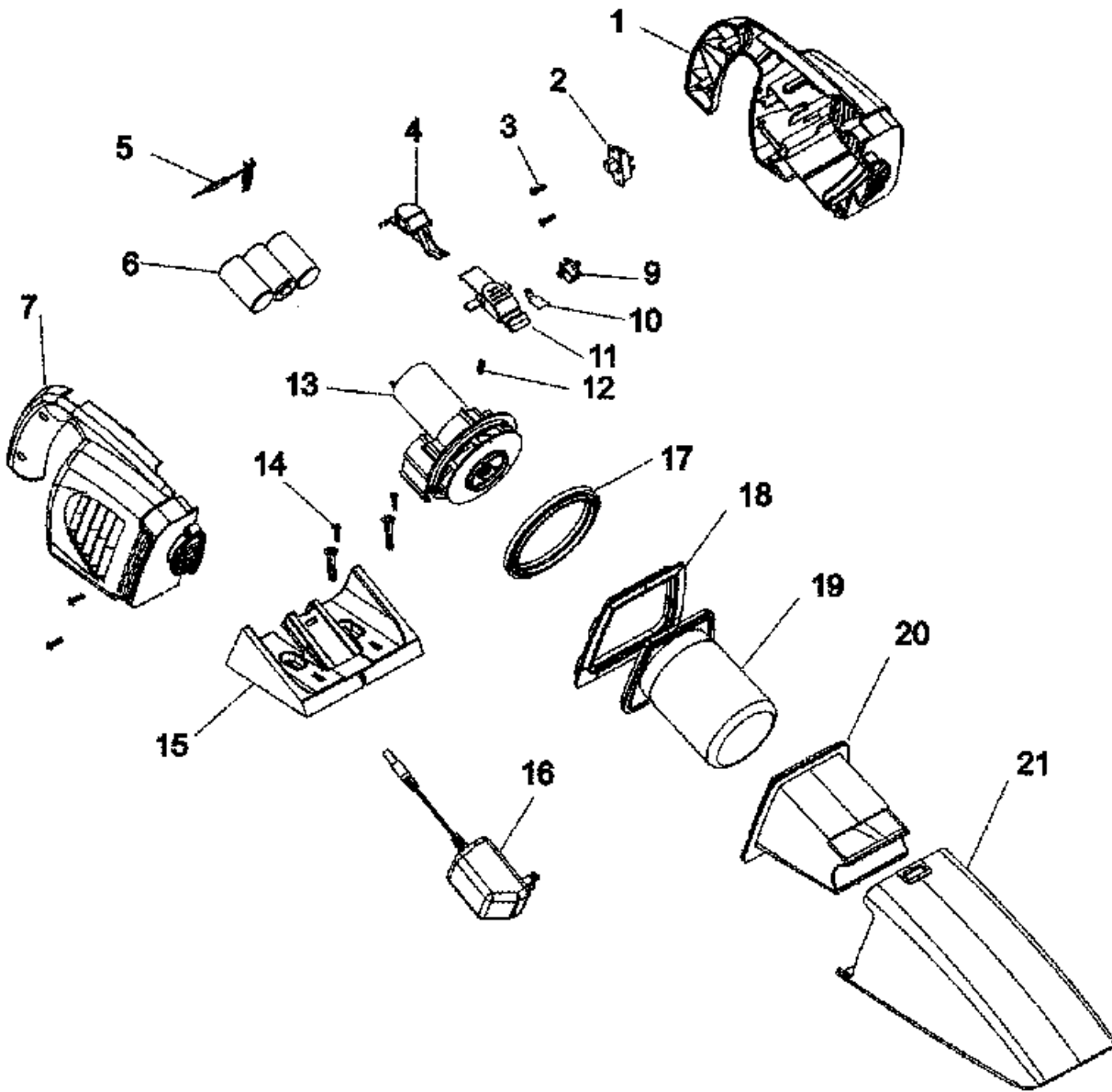
Wet Dry
HandVac

20

ASSEMBLY SCHEMATIC

MODEL NO.

S1120





Wet Dry HandVac

20

PART LISTING / PRICE LIST

MODEL No.

S1120

ITEM	PART NUMBER	MODELS TO FIT	PART DESCRIPTION	LIST COST
1	93001489	S1120	HOUSING - LEFT	5.09
2	93001495	S1120	SWITCH	2.59
3	93001501	S1120	SCREW	.57
4	93001494	S1120	SWITCH BUTTON	.57
5	59139109	S1120	DIODE	N.L.A.
6	93001498	S1120	BATTERY PACK ASSEMBLY	25.50
7	93001490	S1120	HOUSING - RIGHT	5.09
8	59139108	S1120	SCREW	N.A.
9	93001497	S1120	DC JACK	.57
10	59139110	S1120	TEST TERMINAL	N.A.
11	93001492	S1120	LATCH BUTTON	.57
12	59139103	S1120	LATCH BUTTON SPRING	N.L.A.
13	93001499	S1120	MOTOR AND FAN ASSEMBLY	17.00
14	40201142	S1120	WALL RACK HARDWARE	N.A.
15	59139306	S1120	WALL RACK BRACKET	8.61
16	93001496	S1120	TRANSFORMER	7.70
17	59139118	S1120	HOUSING	N.A.
18	59139130	S1120	FILTER SEAL	3.39
19	93001491	S1120	FILTER SUPPORT ASSEMBLY	5.09
20	93001493	S1120	SEPARATOR	2.03
21	93001500	S1120	DIRT CUP	6.00

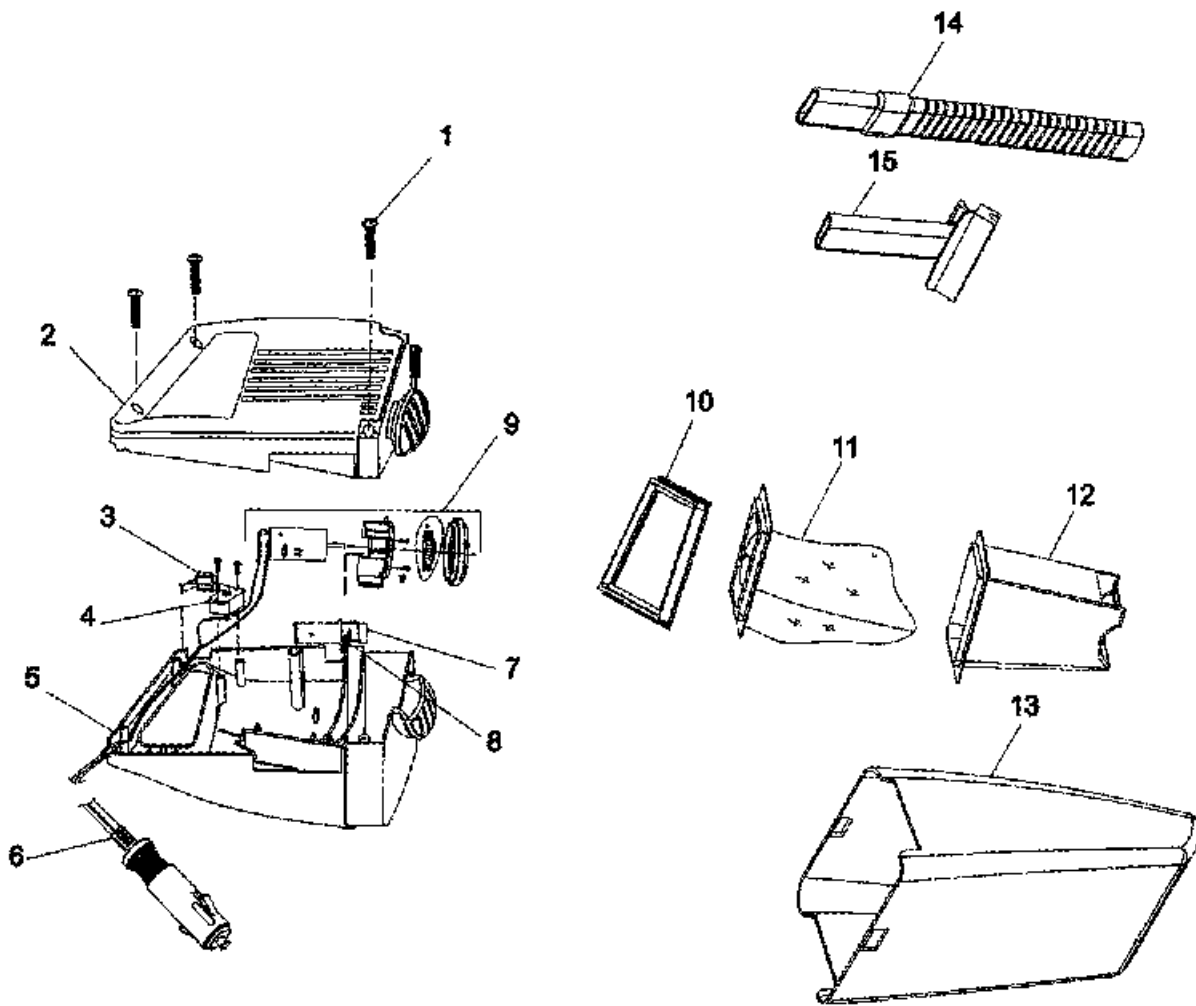


20

ASSEMBLY SCHEMATIC

MODEL NO.

L2020





20

PART LISTING / PRICE LIST

MODEL No.

L2020

ITEM	PART NUMBER	MODELS TO FIT	PART DESCRIPTION	LIST COST
1	59139113	L2020	SCREW	N.A.
2	93001806	L2020	HOUSING - RIGHT	5.66
3	59139173	L2020	SWITCH BUTTON	1.12
4	93001807	L2020	SWITCH	5.66
5	93001808	L2020	HOUSING - LEFT	5.66
6	93001809	L2020	POWER CORD ASSEMBLY	14.16
7	93001810	L2020	LATCH BUTTON	1.69
8	93001811	L2020	LATCH BUTTON SPRING	.57
9	93001812	L2020	MOTOR AND FAN ASSEMBLY	15.87
10	93001813	L2020	FILTER SEAL	2.03
11	59139102	L2020	FILTER SUPPORT ASSEMBLY	6.79
12	59139170	L2020	SEPARATOR	4.53
13	93001814	L2020	DIRT CUP	7.93
14	59139122	L2020	CREVICE TOOL	3.39
15	59139123	L2020	SQUEEGEE	4.07



Wet Dry
HandVac



20

NOTES

MODEL NO.

L2020

S1120



Sidewinder™

Hand Vac

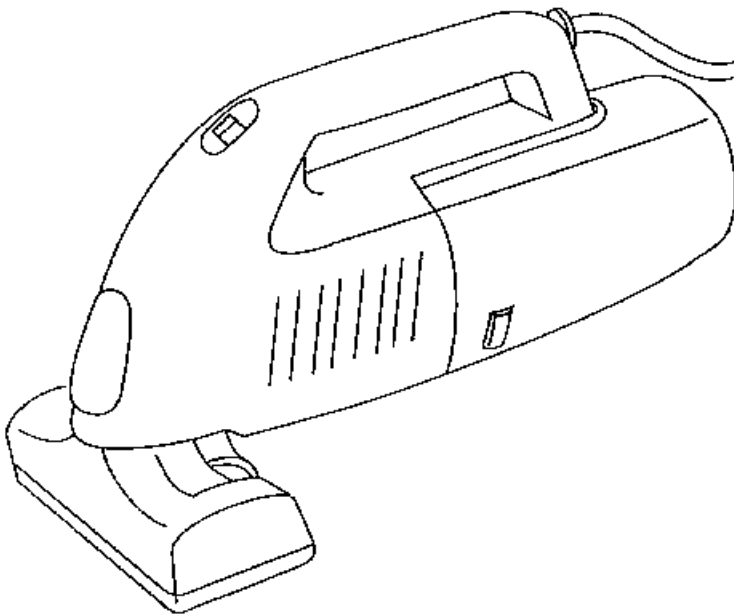
21

SECTION CONTENTS

<u>MODEL NO.</u>	<u>PAGE NO.</u>
S1156	21-2 THRU 21-3

MODEL NO.

S1156



- * PRICING, SPECIFICATION'S, AND PRODUCT AVAILABILITY ARE SUBJECT TO CHANGE WITHOUT NOTICE. PRICING IS FOB FACTORY, CANTON, OH
- * ALL INFORMATION CONTAINED WITHIN THIS SERVICE MANUAL IS PROPRIETARY INFORMATION OF TTI FLOOR CARE NORTH AMERICA.
- * **WARNING:** TO REDUCE THE RISK OF ELECTRICAL SHOCK OR INJURY, ALWAYS DISCONNECT THE APPLIANCE CORD FROM THE ELECTRICAL OUTLET OR REMOVE BATTERY PRIOR TO SERVICING THE UNIT.



Sidewinder™

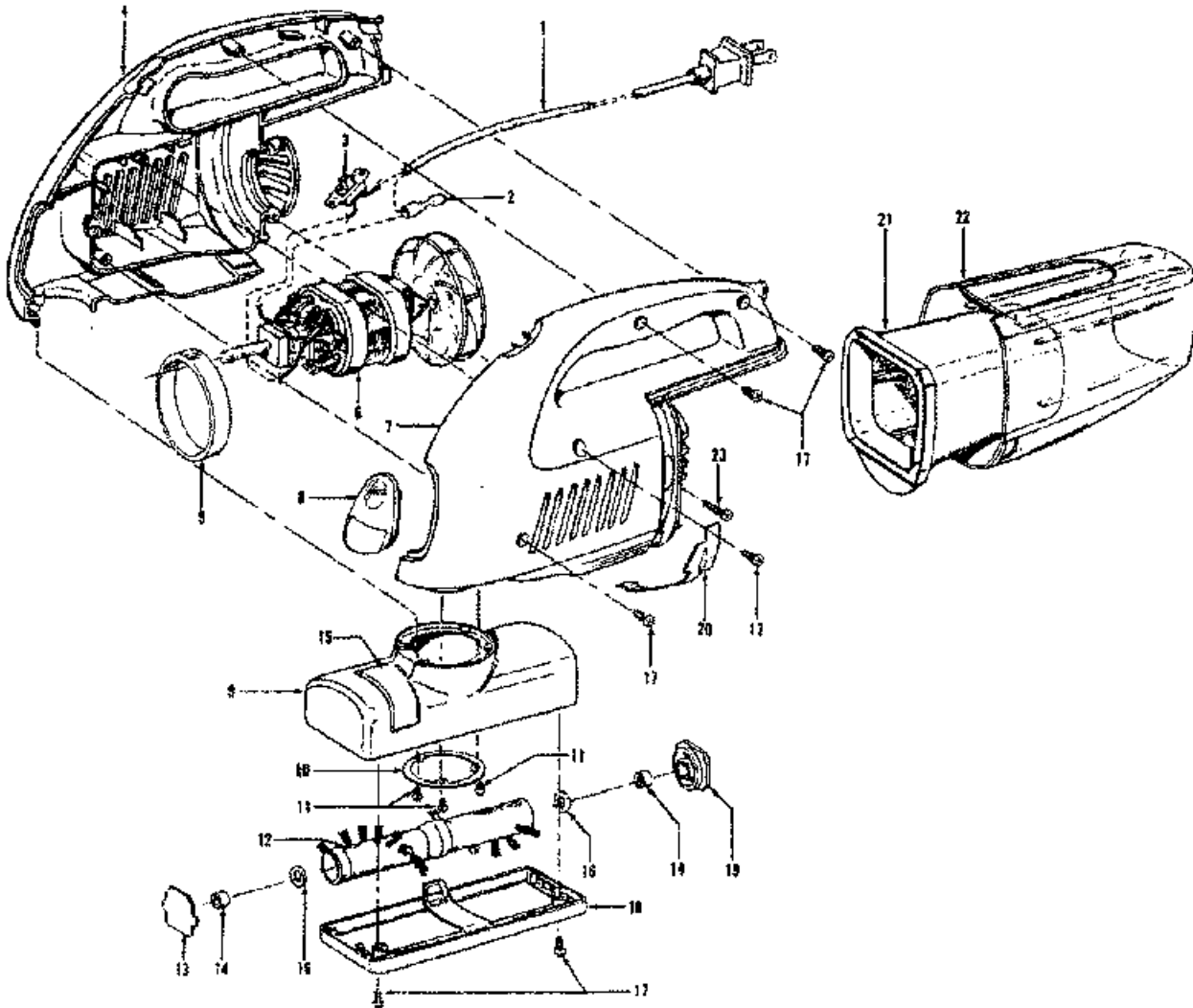
Hand Vac

21

ASSEMBLY SCHEMATIC

MODEL NO.

S1156





Sidewinder™

Hand Vac

21

PART LISTING / PRICE LIST

MODEL No.

S1156

ITEM	PART NUMBER	MODELS TO FIT	PART DESCRIPTION	LIST COST
1	59139203	S1156	POWER CORD	N.L.A.
2	012227--	S1156	TERMINALS	.79
3	59139204	S1156	SWITCH	2.40
4	59139184	S1156	HOUSING - RIGHT	N.A.
5	38528032	S1156	BELT	.89 NON DISC
6	59139211	S1156	MOTOR AND FAN ASSEMBLY	56.69
7	59139183	S1156	HOUSING - LEFT	N.A.
8	93001963	S1156	ACCESS DOOR	1.12
9	59139186	S1156	AGITATOR / BRUSH ROLL HOUSING	3.39
10	59139188	S1156	STEEL PLATE	N.A.
11	59139210	S1156	SCREW	N.A.
12	59139205	S1156	AGITATOR / BRUSH ROLL	15.87
13		S1156	END CAP - ORDER #12	N.A.
14		S1156	BEARING - ORDER #12	N.A.
15	59139189	S1156	AGITATOR / BRUSH ROLL LATCH	N.A.
	59139192	S1156	AGITATOR / BRUSH ROLL LATCH SPRING	N.A.
16		S1156	WASHER - ORDER #12	N.A.
17	59139208	S1156	SCREW	1.12
18	59139187	S1156	BOTTOM PLATE / GUARD	2.59
19		S1156	END CAP - ORDER #12	N.A.
20	59139190	S1156	DIRT CUP LATCH	1.12
21	59139207	S1156	FILTER AND FILTER FRAME ASSEMBLY	9.44
22	59139185	S1156	DIRT CUP	9.74
23	59139209	S1156	SCREW	N.A.
	36433056	S1156	WALL RACK	N.L.A.
	38617033	S1156	CREVICE TOOL - 7"	3.39
	38656032	S1156	CONVERTER BODY	3.39
	40201142	S1156	WALL RACK HARDWARE	N.A.
	43414197	S1156	DUSTING BRUSH	2.68
	43434007	S1156	HOSE ASSEMBLY	N.L.A.
	59139274	S1156	BELT SHOE	1.04



Sidewinder™

Hand Vac

21

NOTES

MODEL NO.

S1156



Slider™

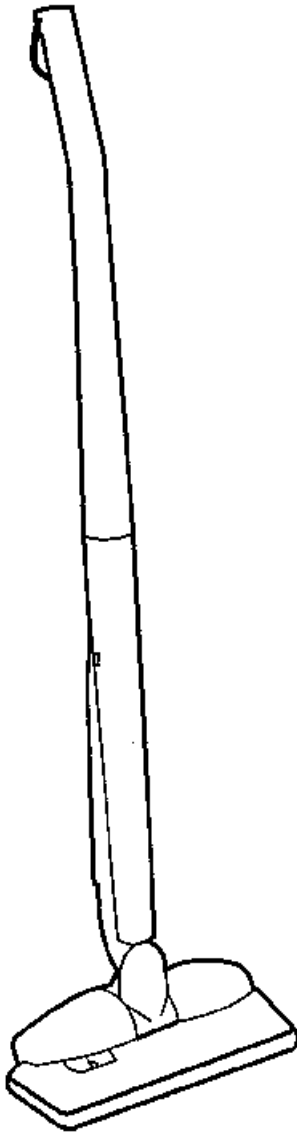
22

SECTION CONTENTS

<u>MODEL NO.</u>	<u>PAGE NO.</u>
S2105	22-2 THRU 22-4

MODEL NO.

S2105



* PRICING, SPECIFICATION'S, AND PRODUCT AVAILABILITY ARE SUBJECT TO CHANGE WITHOUT NOTICE. PRICING IS FOB FACTORY, CANTON, OH

* ALL INFORMATION CONTAINED WITHIN THIS SERVICE MANUAL IS PROPRIETARY INFORMATION OF TTI FLOOR CARE NORTH AMERICA.

* **WARNING:** TO REDUCE THE RISK OF ELECTRICAL SHOCK OR INJURY, ALWAYS DISCONNECT THE APPLIANCE CORD FROM THE ELECTRICAL OUTLET OR REMOVE BATTERY PRIOR TO SERVICING THE UNIT.



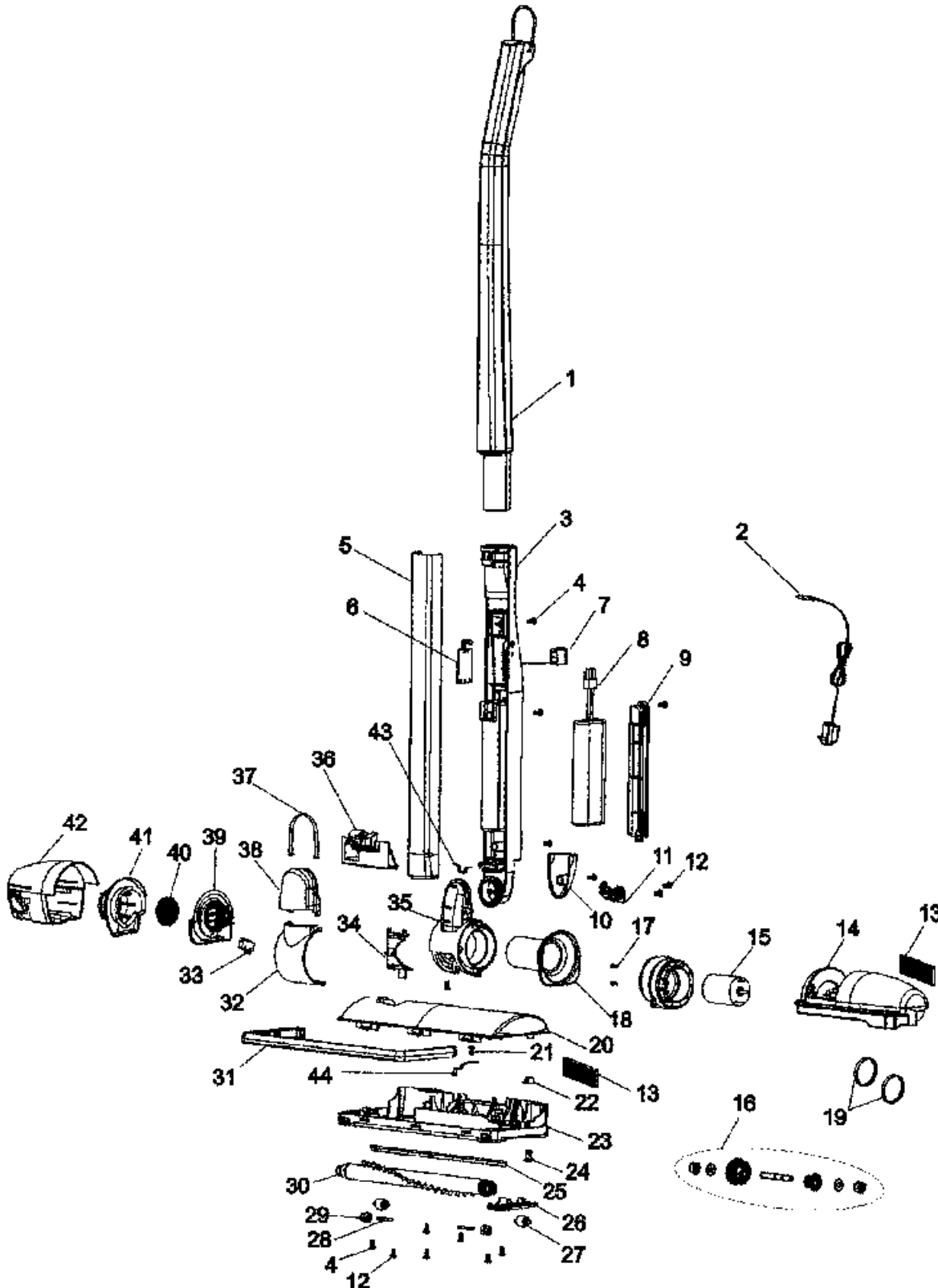
Slider™

22

ASSEMBLY SCHEMATIC

MODEL NO.

S2105





Slider™

22

PART LISTING / PRICE LIST

MODEL No.

S2105

ITEM	PART NUMBER	MODELS TO FIT	PART DESCRIPTION	LIST COST
1	93001477	S2105	UPPER HANDLE ASSEMBLY	7.93
2	93001484	S2105	ADAPTER - INPUT 120 V / OUTPUT 9 V	7.39
3	93001472	S2105	HANDLE BASE	6.79
4	93001478	S2105	SCREW - 5/8"	N.A.
5	93001473	S2105	HANDLE COVER	N.A.
6	93001483	S2105	PCB CONTROL BOARD	1.46
7	93001482	S2105	ROCKER SWITCH	2.59
8	93001443	S2105	BATTER PACK ASSEMBLY	25.50
9	93001475	S2105	BATTERY COVER	N.A.
10	93001474	S2105	TERMINAL COVER	N.A.
11	93001462	S2105	JOINT HOLDER	N.A.
12	93001479	S2105	SCREW - 1/2"	N.A.
13	93001451	S2105	OUTLET FILTER	.83
14	93001465	S2105	UPPER CASE ASSEMBLY WITH FILTER	3.96
15	93001456	S2105	MOTOR AND FAN ASSEMBLY	12.46
16	93001455	S2105	RELAY PULLEY ASSEMBLY	2.59
17	93001486	S2105	SCREW	N.A.
18	93001466	S2105	FAN CASING	1.13
19	93001454	S2105	TIMING BELT	2.09
20	93001469	S2105	NOZZLE COVER	2.26
21	93001480	S2105	SCREW - 3/8"	N.A.
22	93001450	S2105	ROCK PEACE - B	.89
23	93001444	S2105	LOWER CASE ASSEMBLY	6.79
24	93001449	S2105	ROCK PEACE - A	.89
25	93001452	S2105	RUBBER SQUEEGEE	.79
26	93001453	S2105	LOWER CASE COVER	.89
27	93001448	S2105	REAR ROLLER SHAFT	1.01
	93001446	S2105	ROLLER	.89
28	93001447	S2105	ROLLER SHAFT	1.01
29	93001445	S2105	ROLLER	.89
30	93001457	S2105	AGITATOR / BRUSH ROLL ASSEMBLY	12.23
31	93001458	S2105	BUMPER	1.46
32	93001460	S2105	CASING COVER - FRONT	.89
33	93001487	S2105	MICRO SWITCH ASSEMBLY	4.53
34	93001463	S2105	CORD HOLDER	N.A.
35	93001459	S2105	CASING	2.26



Slider™

22

PART LISTING / PRICE LIST

ITEM	PART NUMBER	MODELS TO FIT	PART DESCRIPTION	LIST COST
36	93001468	S2105	NOZZLE AND KNOB ASSEMBLY	2.26
37	93001464	S2105	STOPPER BELT	1.05
38	93001461	S2105	CASING COVER - REAR	N.A.
39	93001467	S2105	FILTER FAN CASING ASSEMBLY WITH FILTER	1.46
40	93001481	S2105	INLET FILTER	.57
41	93001471	S2105	FILTER ASSEMBLY	3.45
42	93001470	S2105	DUST CUP ASSEMBLY WITH STOP VALVE	3.16
43	93001476	S2105	STOPPER	N.A.
44	93001485	S2105	SPRING	N.A.

MODEL No.

S2105

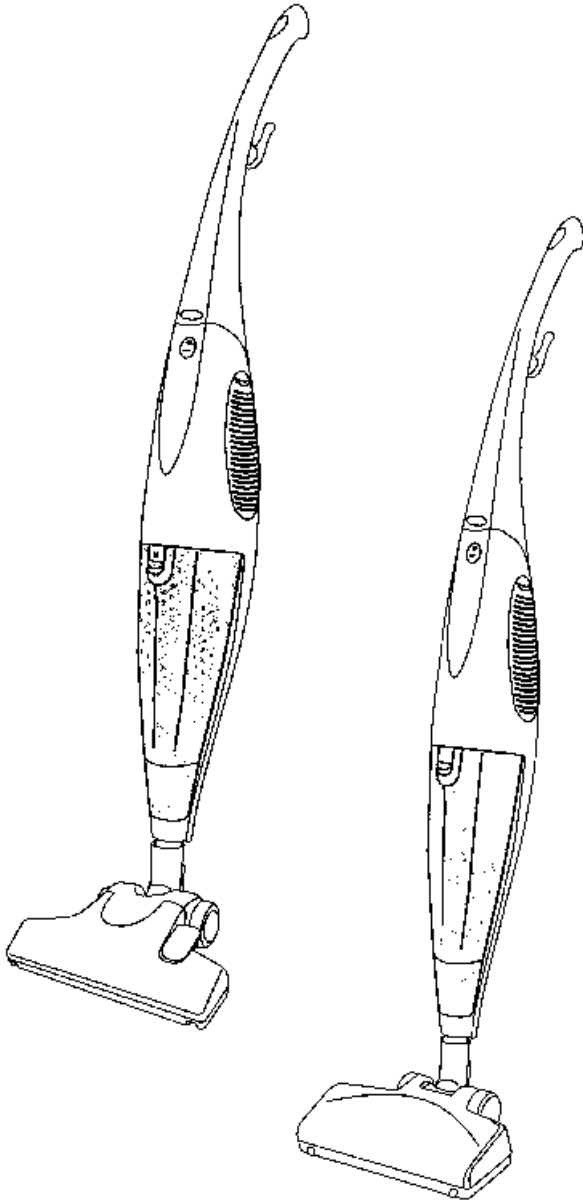


SECTION CONTENTS

<u>MODEL NO.</u>	<u>PAGE NO.</u>
S2200	23-2 THRU 23-4
S2220	23-2 THRU 23-4
S2220 P.N.	23-5 THRU 23-6

MODEL NO.

S2200
S2220



- * PRICING, SPECIFICATION'S, AND PRODUCT AVAILABILITY ARE SUBJECT TO CHANGE WITHOUT NOTICE. PRICING IS FOB FACTORY, CANTON, OH
- * ALL INFORMATION CONTAINED WITHIN THIS SERVICE MANUAL IS PROPRIETARY INFORMATION OF TTI FLOOR CARE NORTH AMERICA.
- * **WARNING:** TO REDUCE THE RISK OF ELECTRICAL SHOCK OR INJURY, ALWAYS DISCONNECT THE APPLIANCE CORD FROM THE ELECTRICAL OUTLET OR REMOVE BATTERY PRIOR TO SERVICING THE UNIT.



Flair™
bagless

Flair™
bagless
with powered nozzle

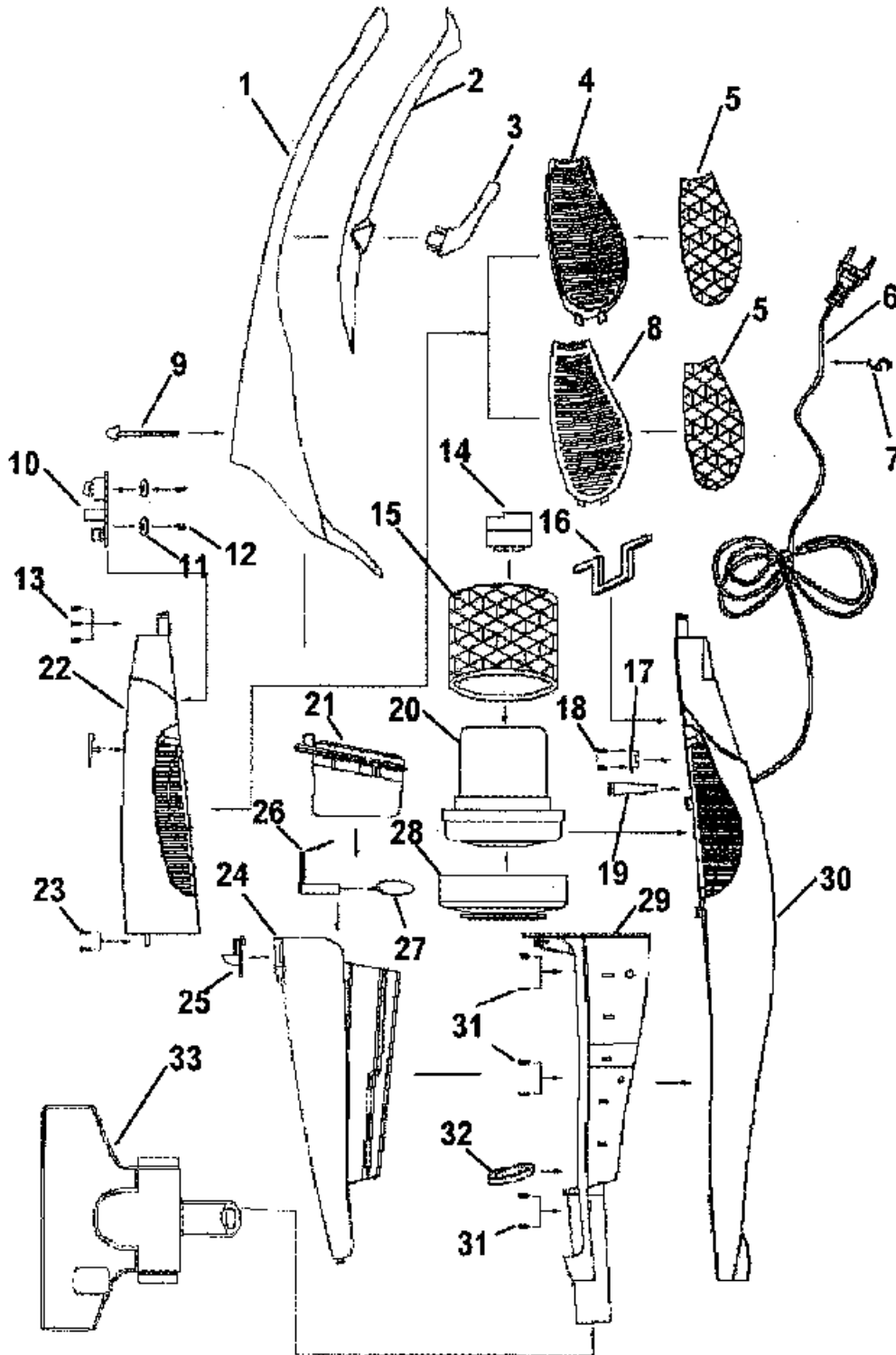
23

ASSEMBLY SCHEMATIC

MODEL NO.

S2200

S2220





23

PART LISTING / PRICE LIST

MODEL No.

S2200
S2220

ITEM	PART NUMBER	MODELS TO FIT	PART DESCRIPTION	LIST COST
1	59136060	S2200	UPPER HANDLE - GRAPHITE SILVER METALLIC	6.79
	59136161	S2220	UPPER HANDLE - LASER RED METALLIC	6.79
2		S2200, S2220	UPPER HANDLE BACK - ORDER #1	N.A.
3	59136011	S2200	CORD HOOK	1.12
	59136152	S2220	CORD HOOK	1.12
4	59136009	S2200	AIR OUTLET GRID - RIGHT	1.12
	59136155	S2220	AIR OUTLET GRID - RIGHT	1.12
5	59136022	S2200, S2220	AIR OUTLET FILTER	2.09
6	59136052	S2200, S2220	POWER CORD WITH PROTECTOR	9.96
7		S2200, S2220	S-CLIP FOR POWER CORD	N.A.
8	59136010	S2200	AIR OUTLET GRID - LEFT	1.12
	59136156	S2220	AIR OUTLET GRID - LEFT	1.12
9	59136059	S2200	FINGER BOLT - UPPER HANDLE	1.12
	59136157	S2220	FINGER BOLT - UPPER HANDLE	1.12
10	59136035	S2200	CIRCUIT BOARD	5.66
	59136006	S2220	CIRCUIT BOARD - SWITCH	7.36
11	59136057	S2200, S2220	WASHER	.58
12	59136015	S2200, S2220	SCREW	N.L.A.
13	59136015	S2200, S2220	SCREW	N.L.A.
14	59136013	S2200, S2220	MOTOR FIX RING - SMALL	2.26
15	59136024	S2200, S2220	MOTOR SOUND INSULATION	1.46
16	59136012	S2200, S2220	MOTOR SEAL / CHAMBER SEAL	1.12
17	59136061	S2200, S2220	POWER CORD FIXING BOARD	1.12
18	59136015	S2200, S2220	SCREW	N.L.A.
19	59136051	S2200, S2220	POWER CORD PROTECTOR	1.12
20	59136023	S2200, S2220	MOTOR	28.34
21	59136055	S2200, S2220	PRIMARY BAG FILTER	5.24
22	59136056	S2200	FRONT COVER	4.53
	59136158	S2220	FRONT COVER	4.53
23	59136015	S2200, S2220	SCREW	N.L.A.
24	59136054	S2200, S2220	DIRT CUP ASSEMBLY	9.06
25		S2200, S2220	LATCH - ORDER #24	N.A.
26		S2200, S2220	DUST BOARD - ORDER #24	N.A.
27		S2200, S2220	RUBBER FLAP - ORDER #24	N.A.
28	59136014	S2200, S2220	MOTOR SEAL	2.26



23

PART LISTING / PRICE LIST

ITEM	PART NUMBER	MODELS TO FIT	PART DESCRIPTION	LIST COST
29	59136058	S2200	MIDDLE HOUSING WITH GASKET	8.61
	59136159	S2220	MIDDLE HOUSING WITH GASKET	8.61
30	59136007	S2200	REAR COVER / LOWER HANDLE	8.61
	59136154	S2220	REAR COVER / LOWER HANDLE	8.61
31	59136015	S2200, S2220	SCREW	N.L.A.
32	59136045	S2200, S2220	FRONT SEALING - DIRT CUP	1.12
33	59136026	S2200	FLOOR NOZZLE COMPLETE	9.74
	59136049	S2200	FLOOR NOZZLE BRUSH	1.12
	59136162	S2220	POWER NOZZLE COMPLETE	32.20

MODEL No.

S2200

S2220



Flair
bagless
with powered nozzle

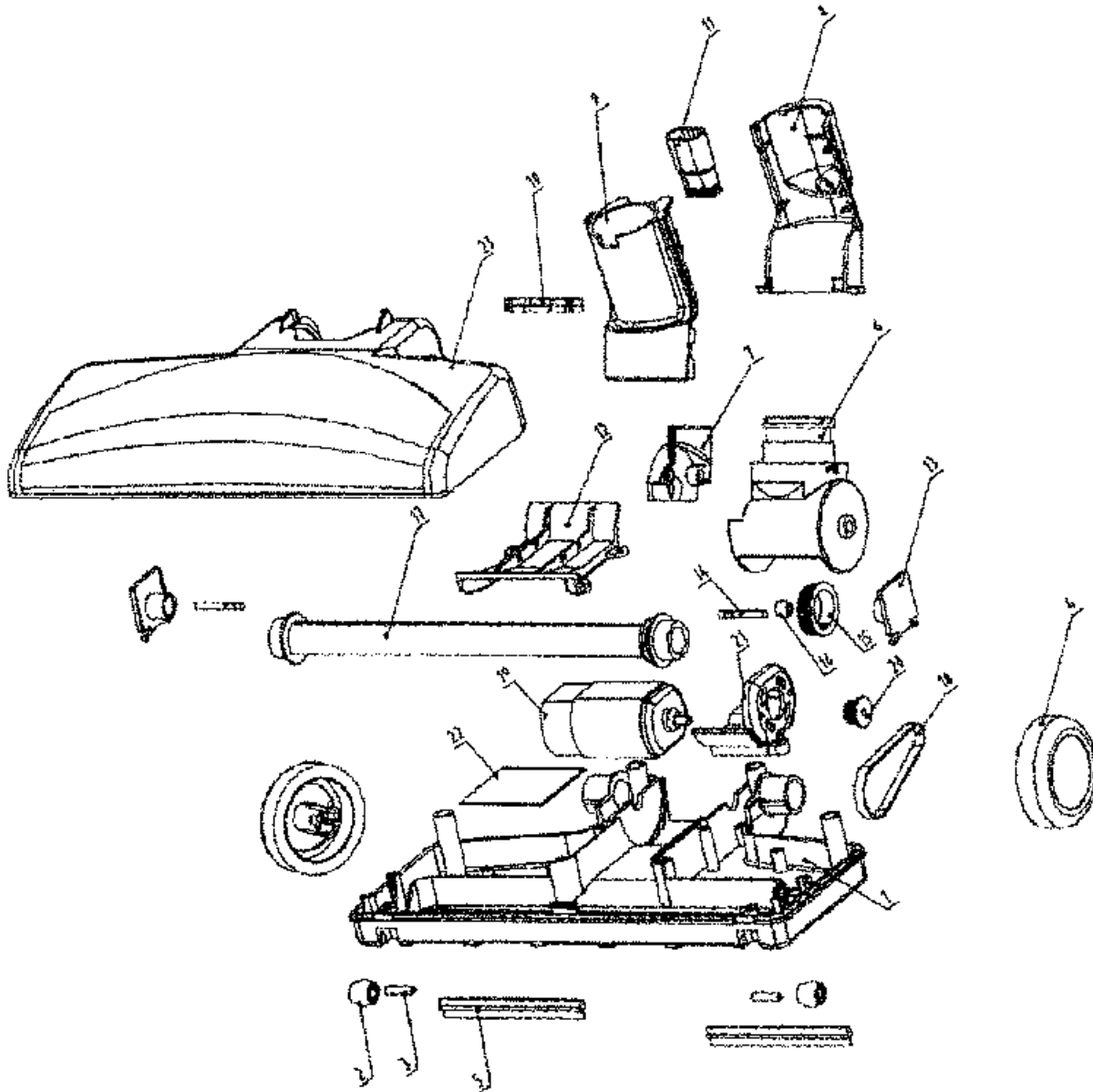
23

ASSEMBLY SCHEMATIC

MODEL NO.

S2220

P.N.





23

PART LISTING / PRICE LIST

MODEL No.

S2220
P.N.

ITEM	PART NUMBER	MODELS TO FIT	PART DESCRIPTION	LIST COST
1	59136166	S2220	BASE ASSEMBLY	5.66
2	59136174	S2220	FRONT WHEEL	1.12
3	59136075	S2220	FRONT WHEEL SHAFT	1.12
4		S2220	REAR WHEEL - ORDER #1	N.A.
5		S2220	RUBBER STRIP - ORDER #1	N.A.
6	59136170	S2220	NOZZLE CONNECTOR	8.61
7		S2220	ORDER #6	N.A.
8		S2220	ORDER #6	N.A.
9		S2220	ORDER #6	N.A.
10		S2220	ORDER #6	N.A.
11		S2220	ORDER #6	N.A.
12	59136169	S2220	AIR INLET COVER	1.12
13	59136163	S2220	AGITATOR / BRUSH ROLL ASSEMBLY	6.79
14		S2220	ORDER #13	N.A.
15		S2220	ORDER #13	N.A.
16		S2220	ORDER #13	N.A.
17		S2220	ORDER #13	N.A.
18	59136167	S2220	BELT	2.40
19	59136165	S2220	MOTOR	20.86
20		S2220	ORDER #19	N.A.
22	59136168	S2220	MOTOR FIXING CUSHION	1.12
23	59136171	S2220	HOOD / NOZZLE COVER	5.43
	59136172	S2220	SCREW	1.14
	59136173	S2220	SCREW	1.12
	59136176	S2220	PCB - NOZZLE	6.00
	59136162	S2220	COMPLETE POWER NOZZLE ASSEMBLY	32.20



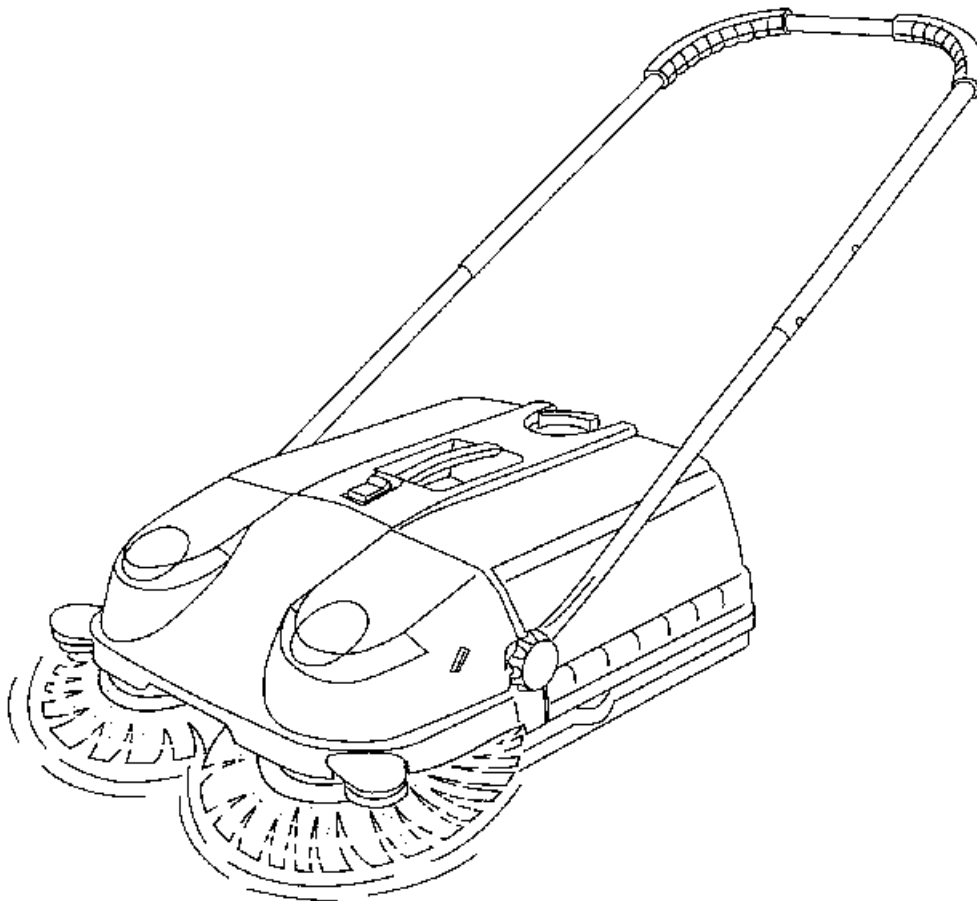
24

SECTION CONTENTS

<u>MODEL NO.</u>	<u>PAGE NO.</u>
L1400	24-2 THRU 24-5

MODEL NO.

L1400



- * PRICING, SPECIFICATION'S, AND PRODUCT AVAILABILITY ARE SUBJECT TO CHANGE WITHOUT NOTICE. PRICING IS FOB FACTORY, CANTON, OH
- * ALL INFORMATION CONTAINED WITHIN THIS SERVICE MANUAL IS PROPRIETARY INFORMATION OF TTI FLOOR CARE NORTH AMERICA.
- * **WARNING:** TO REDUCE THE RISK OF ELECTRICAL SHOCK OR INJURY, ALWAYS DISCONNECT THE APPLIANCE CORD FROM THE ELECTRICAL OUTLET OR REMOVE BATTERY PRIOR TO SERVICING THE UNIT.

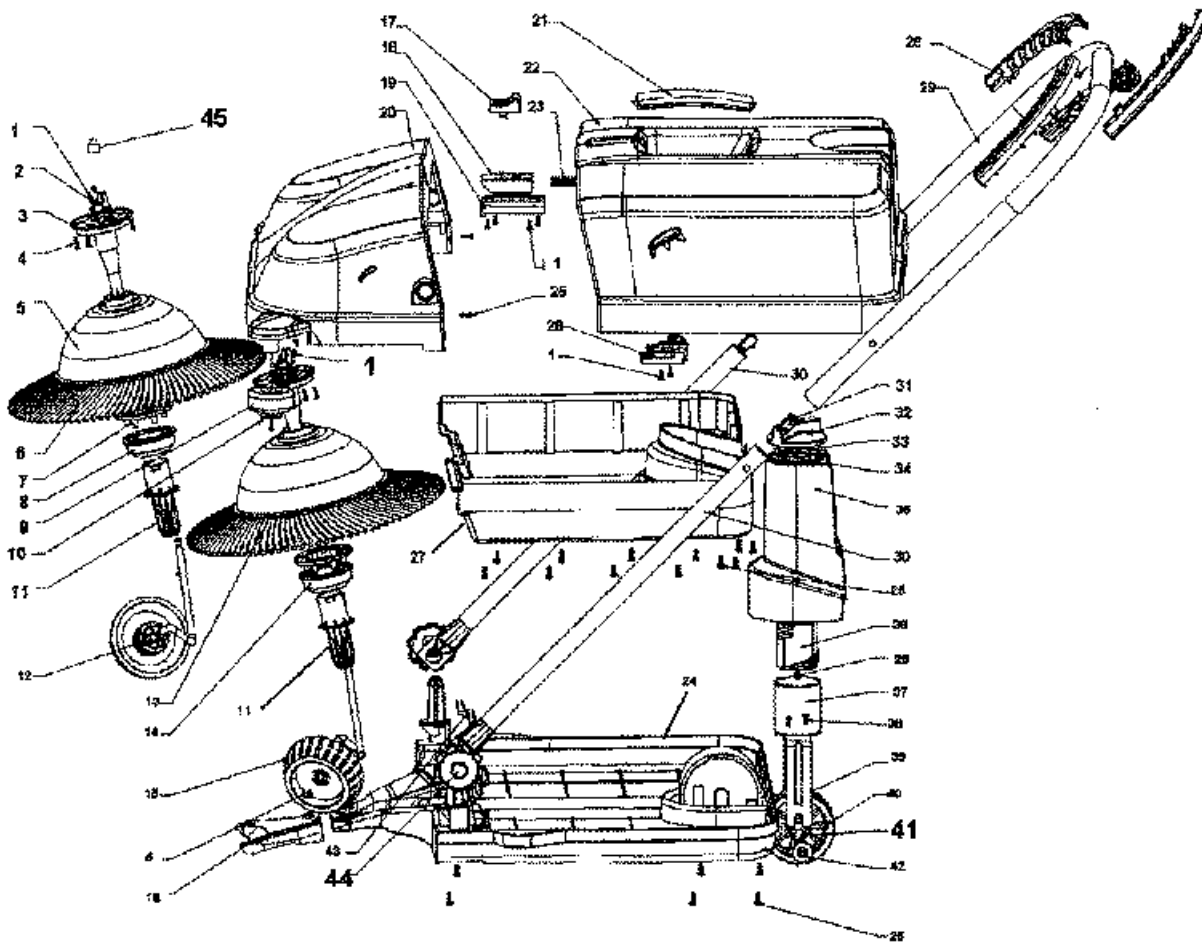


24

ASSEMBLY SCHEMATIC

MODEL NO.

L1400





24

PART LISTING / PRICE LIST

MODEL No.

L1400

ITEM	PART NUMBER	MODELS TO FIT	PART DESCRIPTION	LIST COST
1	59641032	L1400	SCREW	1.12
2	59641008	L1400	WORM WHEEL SHAFT HOLDER	1.12
3	59641012	L1400	JOINT SHAFT	2.59
4	59641030	L1400	SCREW	1.12
5	59641040	L1400	WASHER	1.12
6	59641044	L1400	BRUSH - RIGHT	14.73
7	59641026	L1400	CLUTCH	1.46
8	59641025	L1400	CLUTCH HOUSING - RIGHT	1.12
9	59641001	L1400	SIDE WHEEL	1.46
10	59641007	L1400	FRONT WHEEL WASHER	1.12
11	59641022	L1400	WORM	4.53
12	59641049	L1400	WORM WHEEL ASSEMBLY - RIGHT	9.74
13	59641045	L1400	BRUSH - LEFT	14.73
14	59641024	L1400	CLUTCH HOUSING - LEFT	1.12
15	59641050	L1400	WORM WHEEL ASSEMBLY - LEFT	9.74
16	59641085	L1400	FRONT BRACKET - RUBBER	2.26
17	59641018	L1400	LOCK BUTTON HOUSING	N.L.A.
18	59641016	L1400	LOCK HOUSING	N.L.A.
19	59641017	L1400	LOCK BRACKET	1.12
20	59641063	L1400	FRONT HOUSING	20.40
21	59641011	L1400	BACK HOUSING - HANDLE	2.26
22	59641051	L1400	DIRT BIN ASSEMBLY	N.L.A.
23	59641038	L1400	SPRING	1.12
24	59641064	L1400	BOTTOM FRAME ASSEMBLY	34.01
25	59641031	L1400	SCREW	N.L.A.
26	59641059	L1400	BACK HOUSING HANDLE HOLDER	1.12
27		L1400	NOT AVAILABLE	N.A.
28	59641072	L1400	HANDLE COVER ASSEMBLY	N.L.A.
29	59641074	L1400	HANDLE PIPELINE ASSEMBLY	20.40
30	59641073	L1400	JOINT TUBE ASSEMBLY	7.93
31	59641006	L1400	HANDLE TUBE LOCK	1.12
32	59641028	L1400	ADJUSTMENT KNOB	1.46
33	59641041	L1400	PLUNGER SPRING	1.12
34	59641010	L1400	PLUNGER	N.L.A.
35	59641029	L1400	ADJUSTMENT KNOB HOUSING	N.L.A.
36	59641020	L1400	BACK WHEEL UPPER WORM	N.L.A.



24

PART LISTING / PRICE LIST

ITEM	PART NUMBER	MODELS TO FIT	PART DESCRIPTION	LIST COST
37	59641021	L1400	BACK WHEEL LOWER WORM	N.L.A.
38	59641033	L1400	SCREW	1.12
39	59641039	L1400	BACK WHEEL BRACKET	N.L.A.
40	59641043	L1400	BACK WHEEL	N.L.A.
41	59641019	L1400	BACK WHEEL SHAFT	N.L.A.
42	59641009	L1400	BACK WHHEL SHAFT WASHER	N.L.A.
44	59641005	L1400	FIXING NUT	1.12
45	59641062	L1400	ABSORBER	1.12

MODEL No.

L1400



FLOORMAX™ Supreme
HARD FLOOR MACHINE AND CARPET SHAMPOOER

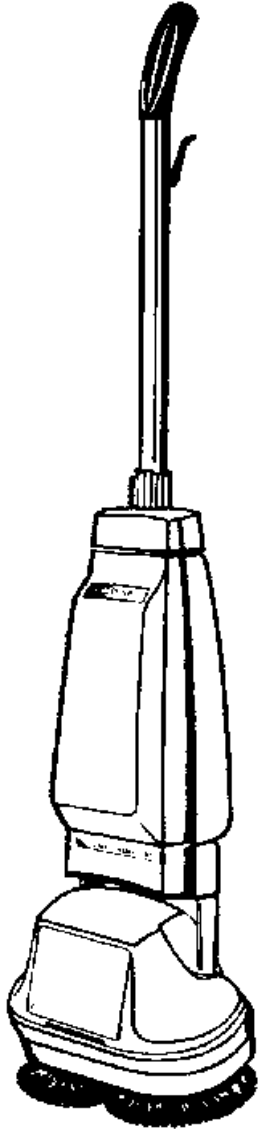
25

SECTION CONTENTS

<u>MODEL NO.</u>	<u>PAGE NO.</u>
F4300	25-1 THRU 25-8

MODEL NO.

F4300



- * PRICING, SPECIFICATION'S, AND PRODUCT AVAILABILITY ARE SUBJECT TO CHANGE WITHOUT NOTICE. PRICING IS FOB FACTORY, CANTON, OH
- * ALL INFORMATION CONTAINED WITHIN THIS SERVICE MANUAL IS PROPRIETARY INFORMATION OF TTI FLOOR CARE NORTH AMERICA.
- * **WARNING:** TO REDUCE THE RISK OF ELECTRICAL SHOCK OR INJURY, ALWAYS DISCONNECT THE APPLIANCE CORD FROM THE ELECTRICAL OUTLET OR REMOVE BATTERY PRIOR TO SERVICING THE UNIT.



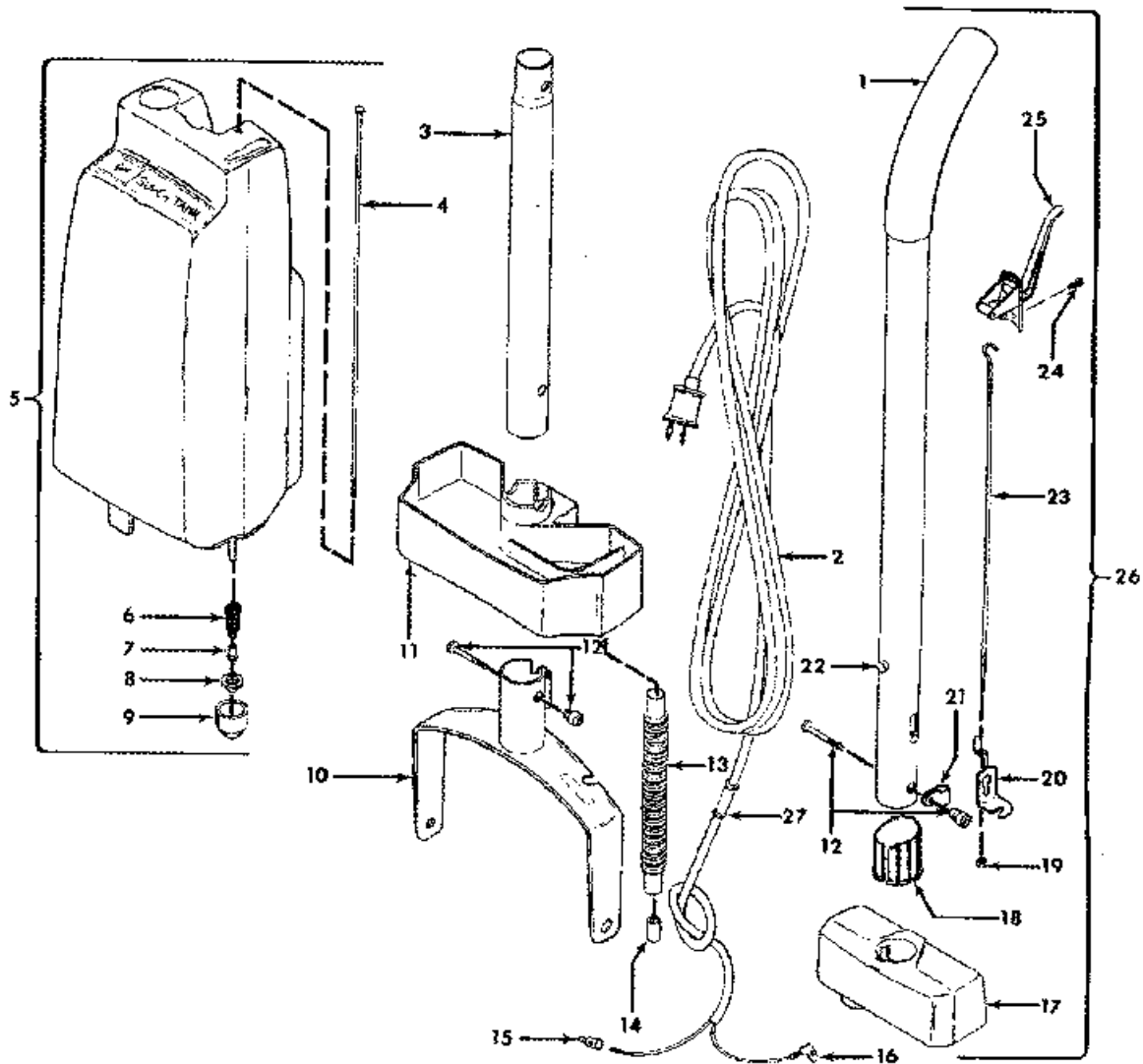
FLOORMAX™ Supreme
HARD FLOOR MACHINE AND CARPET SHAMPOOER

25

ASSEMBLY SCHEMATIC

MODEL NO.

F4300





FLOORMAX™ Supreme
 HARD FLOOR MACHINE AND CARPET SHAMPOOER

25

PART LISTING / PRICE LIST

MODEL No.

F4300

ITEM	PART NUMBER	MODELS TO FIT	PART DESCRIPTION	LIST COST
1	39454072	F4300	HANDLE GRIP	3.39
2	46383068	F4300	ATTACHMENT / POWER CORD	14.73
3	32284026	F4300	LOWER HANDLE	11.72
4	019717--	F4300	VALVE ROD - TANK	2.82
5	43632028	F4300	TANK COMPLETE - COOL GRAY	24.37
6	017314--	F4300	VALVE SPRING	N.L.A.
7	014341--	F4300	VALVE ROD END	1.12
8	015796--	F4300	TANK CAP LINER	1.12
9	37911006	F4300	VALVE CAP	2.26
10	41415002	F4300	BAIL ARM ASSEMBLY	19.54
11	36431020	F4300	TANK SUPPORT	10.20
12	0428294AW	F4300	HANDLE BOLT AND NUT	N.A.
13	017473--	F4300	DISTRIBUTOR HOSE	7.36
14	162180--	F4300	PLUG	1.46
15	048969--	F4300	WIRE NUT	.58
16	161876--	F4300	TERMINAL - FLAG	N.A.
17	37274056	F4300	TANK CAP	4.53
18	36143005	F4300	TANK CAP LOCK	2.94
19	162067--	F4300	NUT	N.A.
20	162069AY	F4300	VALVE CONTROL BRACKET	N.A.
21	012910--	F4300	CORD CLAMP	1.12
22	017252--	F4300	RIVET	N.A.
23	162068--	F4300	CONTROL ROD	N.A.
24	017942--	F4300	SCREW	1.12
25	43138005	F4300	CONTROL HOUSING	4.53
26	48648022	F4300	UPPER HANDLE - CHROMIUM PLATED	45.35
	58343008	F4300	END SUUPPORT	N.A.
	58347001	F4300	BOTTOM SUPPORT	N.L.A.



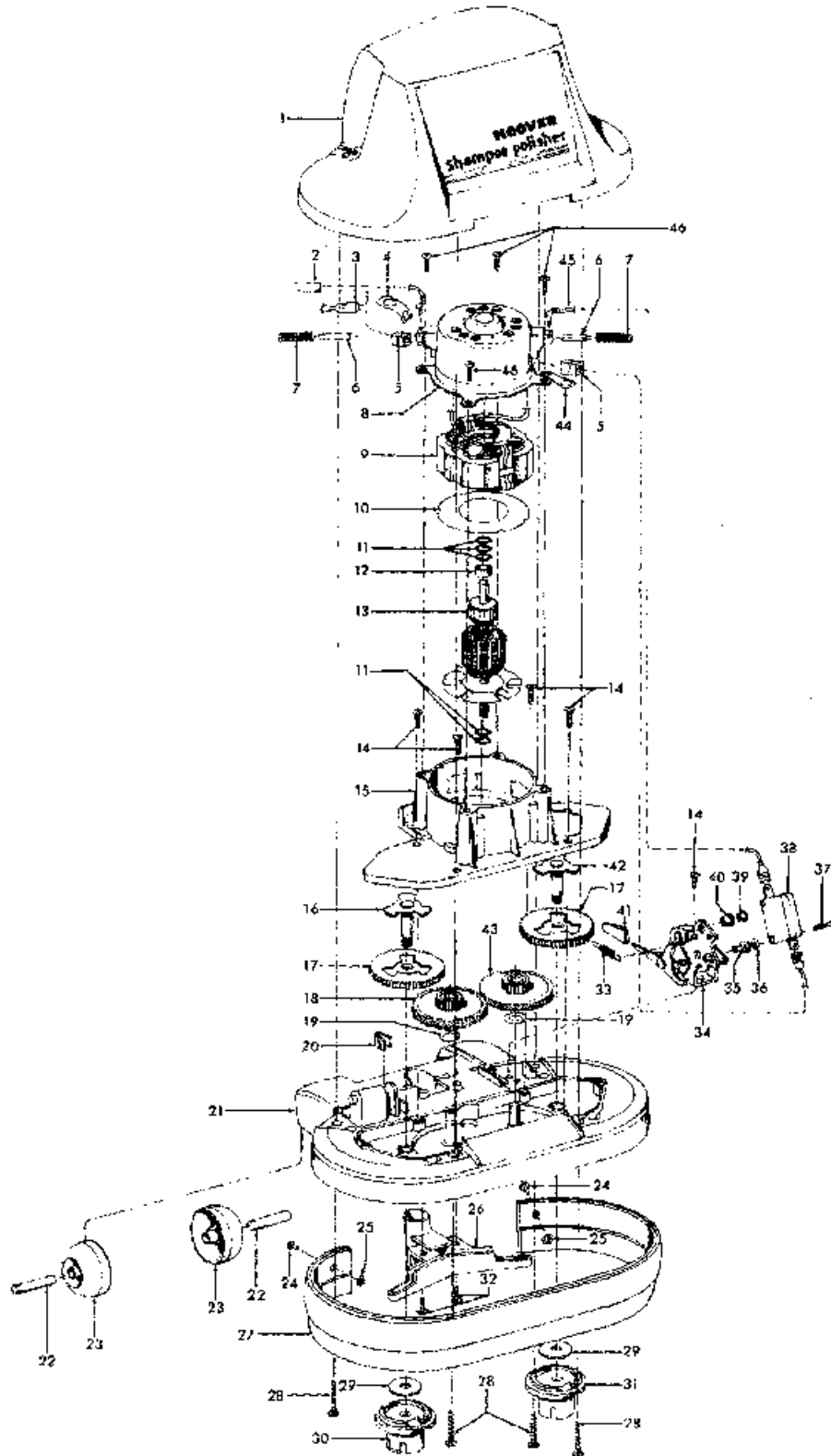
FLOORMAX™ Supreme
HARD FLOOR MACHINE AND CARPET SHAMPOOER

25

ASSEMBLY SCHEMATIC

MODEL NO.

F4300





FLOORMAX™ Supreme
 HARD FLOOR MACHINE AND CARPET SHAMPOOER

25

PART LISTING / PRICE LIST

MODEL No.

F4300

ITEM	PART NUMBER	MODELS TO FIT	PART DESCRIPTION	LIST COST
1	42271029	F4300	HOOD / COVER WITH NAME PLATE	13.60
2	46383068	F4300	POWER CORD	14.73
3	012227--	F4300	TERMINAL	.79
4	013190--	F4300	LEAD WIRE HOLDER	N.A.
5	049379--	F4300	LEAD WIRE COLLAR	N.A.
6	47311005	F4300	MOTOR BRUSH	2.94
7	38311009	F4300	MOTOR BRUSH SPRING	N.L.A.
8	42197002	F4300	MOTOR CAP ASSEMBLY	6.90
9	45314011	F4300	FIELD ASSEMBLY	30.61
10	012653--	F4300	BAFFLE	N.A.
11	21312720	F4300	WASHER	.57
12	31148006	F4300	SPACER	N.A.
13	023445--	F4300	ARMATURE	39.68
14	21447007	F4300	SCREW	.57
15	012165--	F4300	GEAR COVER ASSEMBLY	14.16
16	168405--	F4300	BRUSH SHAFT INSERT - RIGHT	3.39
17	38541002	F4300	BRUSH GEAR	4.53
18	035675BZ	F4300	IDLER GEAR - RIGHT	4.53
19	21312724	F4300	WASHER	1.12
20	36131030	F4300	RETAINER	N.A.
21	42273011	F4300	GEAR HOUSING COMPLETE	31.17
22	31523008	F4300	WHEEL SHAFT	1.46
23	32175025	F4300	WHEEL	1.12
24	049571AY	F4300	RIVET	N.A.
25	21312788	F4300	WASHER	N.A.
26	43486003	F4300	DISTRIBUTOR ASSEMBLY	N.A.
27	36231152	F4300	FURNITURE GUARD - COOL GRAY	4.86
28	21447020	F4300	SCREW	.57
29	21312756	F4300	WASHER	.89
	21312757	F4300	WASHER	.62
30	017309--	F4300	BRUSH CARRIER - RIGHT	2.26
31	017308--	F4300	BRUSH CARRIER - LEFT	2.26
32	21447003	F4300	SCREW	.57
33	012891--	F4300	HANDLE CONTROL LEVER	N.A.
34	165104--	F4300	BAIL MOUNTING BRACKET	N.A.
35	21388105	F4300	NUT - SPECIAL	N.A.



FLOORMAX™ Supreme
 HARD FLOOR MACHINE AND CARPET SHAMPOOER

25

PART LISTING / PRICE LIST

MODEL No.

F4300

ITEM	PART NUMBER	MODELS TO FIT	PART DESCRIPTION	LIST COST
36	21312761	F4300	WASHER	N.A.
37	012892--	F4300	SCREW - MACHINE	N.L.A.
38	019512AH	F4300	SWITCH	7.93
39	014360--	F4300	EYELET	N.A.
40	014377--	F4300	SWITCH INSULATOR	N.A.
41	034207AG	F4300	FOOT PAD	N.A.
42	168404--	F4300	BRUSH SHAFT AND INSERT - LEFT	3.39
43	035674--	F4300	IDLER GEAR - LEFT	4.53
44	045517--	F4300	WIRE HOLDER	1.12
45	46116001	F4300	LEAD WIRE - WHITE	N.A.
46	214793DA	F4300	SCREW	.57
	52313009	F4300	NAME PLATE - HOOD	N.L.A.



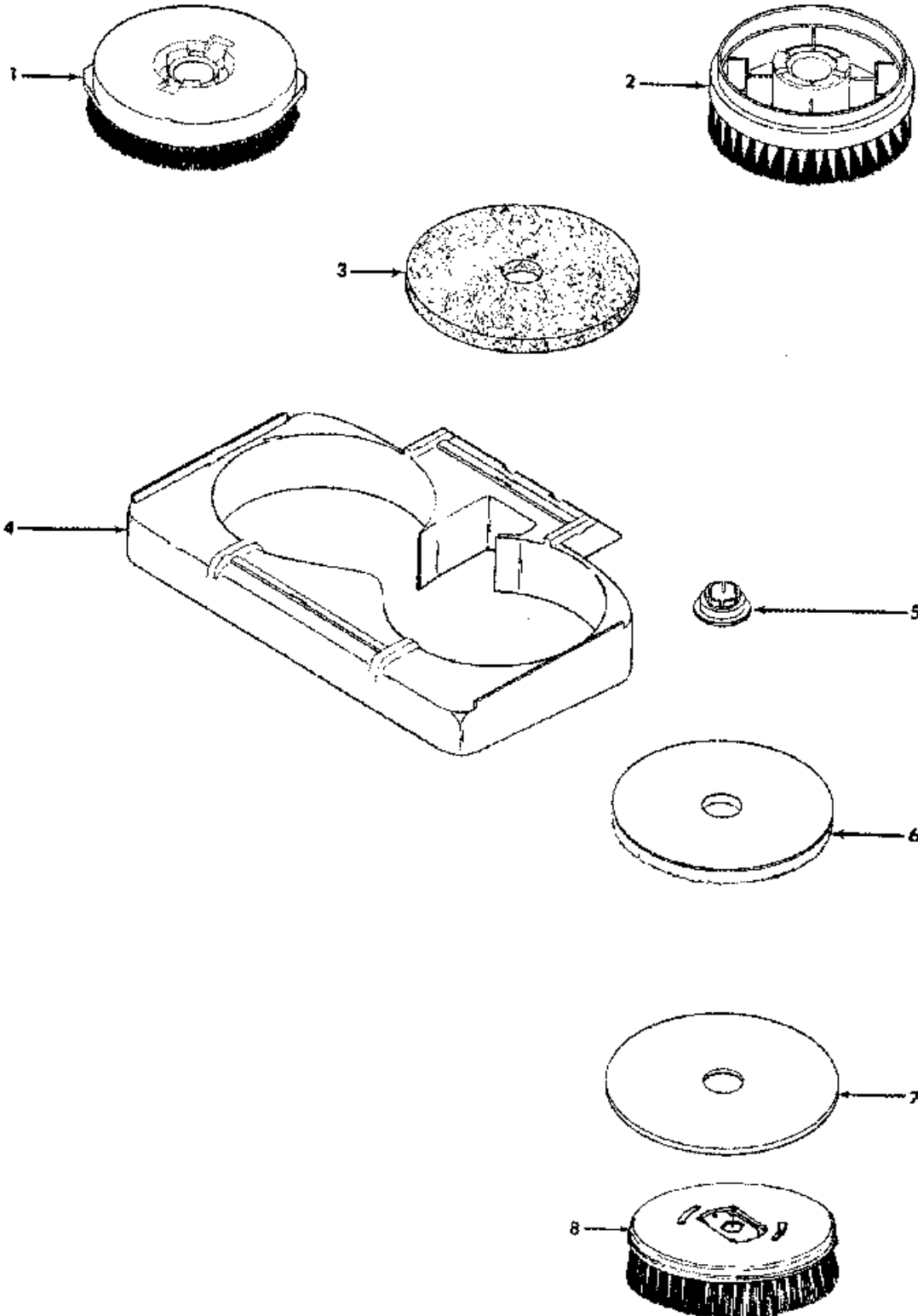
FLOORMAX™ Supreme
HARD FLOOR MACHINE AND CARPET SHAMPOOER

25

ASSEMBLY SCHEMATIC

MODEL NO.

F4300





FLOORMAX™ Supreme
 HARD FLOOR MACHINE AND CARPET SHAMPOOER

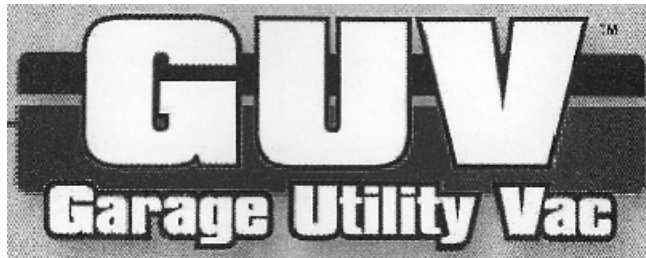
25

PART LISTING / PRICE LIST

MODEL No.

F4300

ITEM	PART NUMBER	MODELS TO FIT	PART DESCRIPTION	LIST COST
1	48436047	F4300	SCRUBBING BRUSH	17.00
2	48437005	F4300	RUG SHAMPOO BRUSH	11.33
3	018362--	F4300	CLEANING AND WAXING PADS - PAIR	10.20
	013195--	F4300	CLEANING AND WAXING PADS - PAIR	10.20
4	37275005	F4300	RUG SHAMPOO ATTACHMENT	N.L.A.
5	015844--	F4300	PAD FASTENERS	1.81
6	018360--	F4300	WOOL BUFFING PAD - PAIR	10.34
7	018361--	F4300	FELT BUFFING PAD - PAIR	6.79
	48483003	F4300	SOFT CLOTH PAD - PAIR	11.90
8	48436045	F4300	POLISHING SCRUB BRUSH	N.L.A.
	40301200	F4300	RUG AND CARPET SHAMPOO - 32 OZ	N.A.
	40303032	F4300	BARE FLOOR CLEANER - 32 OZ	5.99
	57333001	F4300	RUG AND CARPET SHAMPOO - 16 OZ	2.54 NON DISC

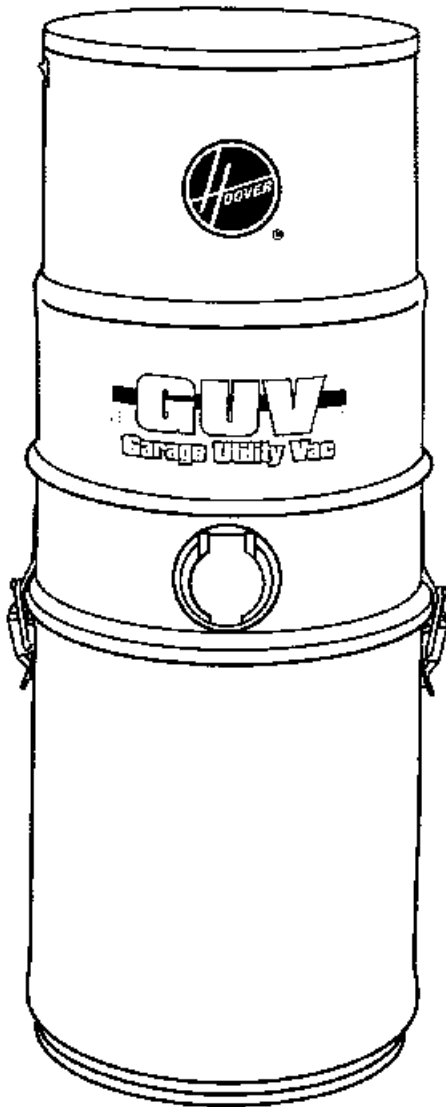


SECTION CONTENTS

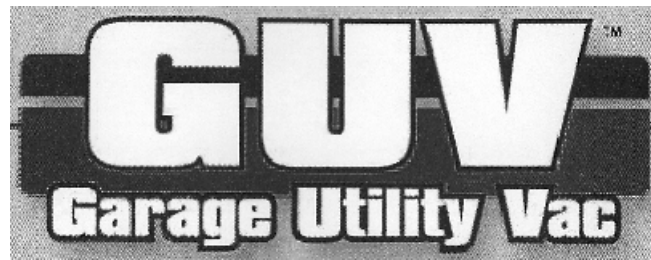
<u>MODEL NO.</u>	<u>PAGE NO.</u>
L2310	26-2 THRU 26-3
L2315	26-2 THRU 26-3

MODEL No.

L2310
L2315

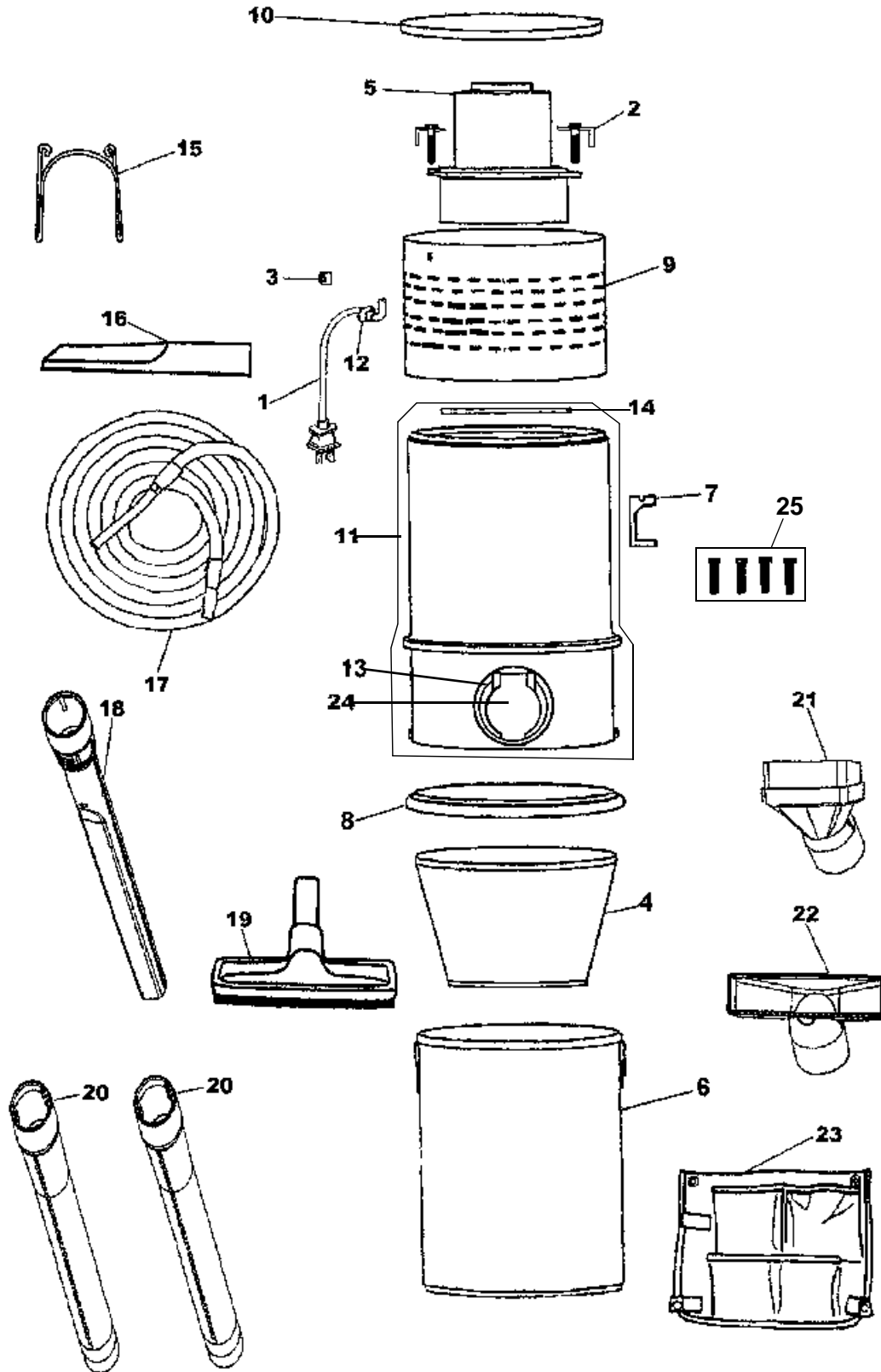


- * PRICING, SPECIFICATION'S, AND PRODUCT AVAILABILITY ARE SUBJECT TO CHANGE WITHOUT NOTICE. PRICING IS FOB FACTORY, CANTON, OH
- * ALL INFORMATION CONTAINED WITHIN THIS SERVICE MANUAL IS PROPRIETARY INFORMATION OF TTI FLOOR CARE NORTH AMERICA.
- * **WARNING:** TO REDUCE THE RISK OF ELECTRICAL SHOCK OR INJURY, ALWAYS DISCONNECT THE APPLIANCE CORD FROM THE ELECTRICAL OUTLET OR REMOVE BATTERY PRIOR TO SERVICING THE UNIT.



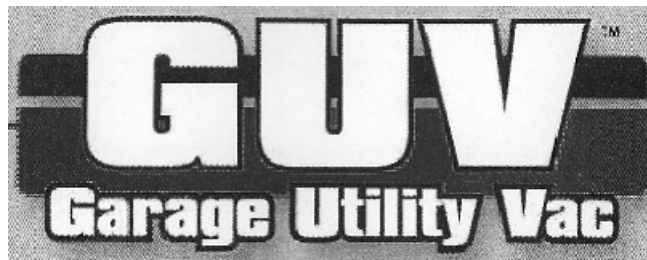
26

ASSEMBLY SCHEMATIC



MODEL NO.

L2310
L2315



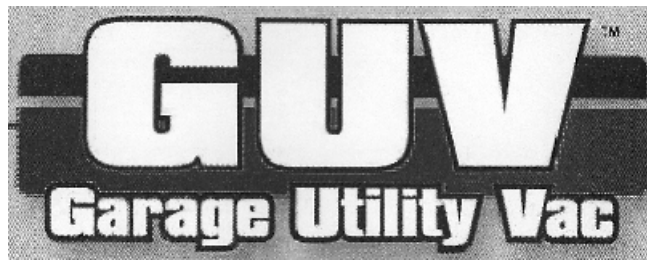
26

PART LISTING / PRICE LIST

MODEL No.

L2310
L2315

ITEM	PART NUMBER	MODELS TO FIT	PART DESCRIPTION	LIST COST
1	59644014	L2310, L2315	CORD ASSEMBLY	17.00
2	59644007	L2310	MOTOR BRACKET - ORDER 59644117	N.A.
	59644089	L2315	MOTOR BRACKET - ORDER 59644124	N.A.
3	28161075	L2310, L2315	SWITCH - 1/4" TERMINALS - TWO BLACK LEADS	2.63
4	59644002	L2310, L2315	FILTER	58.79
5	43576224	L2310	MOTOR - REPLACED BY 59644112 AND 59644124	N.L.A.
	59644088	L2315	MOTOR - 10 AMP WITH OUT TOC REPLACED BY 59644112 AND 59644124	N.L.A.
	59644112	L2310, L2315	MOTOR - 10 AMP WITH TOC	95.40
	59644017	L2310, L2315	BAFFLE AND FOAM ASSEMBLY - MOTOR	10.20
6	59644008	L2310	BOTTOM DIRT CONTAINER ASSEMBLY - GREY	102.05
	59644090	L2315	BOTTOM DIRT CONTAINER ASSEMBLY - RED	55.40
7	59132022	L2310	WALL BRACKET	13.60
	59132280	L2315	WALL BRACKET - BLACK	9.58
8	59132023	L2310	GASKET - 11.5"	9.74
9	59644012	L2310	SHROUD	63.49
	59644093	L2315	SHROUD	15.73
10	59644085	L2310	COVER ASSEMBLY - GREY	PENDING
	59644095	L2315	COVER ASSEMBLY - RED	36.93
11	59644010	L2310	BODY ASSEMBLY - GREY	90.71
	59644091	L2315	BODY ASSEMBLY - RED	78.73
12	56944069	L2310, L2315	STRAIN RELIEF	.70
13	59132039	L2310, L2315	INTAKE GROMMET	4.53
14	59644110	L2310, L2315	MOTOR GASKET - INCLUDED WITH #11	4.55
15	33188001	L2310	WIRE FRAME HOSE RACK	9.74
	59644061	L2315	WIRE FRAME HOSE RACK	6.06
16	38617033	L2310, L2315	CREVICE TOOL - 7"	3.39
17	59644019	L2310	HOSE ASSEMBLY - 30'	79.37
	59644098	L2315	HOSE ASSEMBLY - 35'	83.40
18	38617031	L2310, L2315	CREVICE TOOL - LONG	5.66
19	43414196	L2310	HARD FLOOR BRUSH	36.01
	59644081	L2315	HARD FLOOR BRUSH - 14"	10.08
20	38634078	L2310, L2315	EXTENSION TUBE	6.79
21	43414197	L2310, L2315	DUSTING BRUSH ASSEMBLY - BLACK	2.68



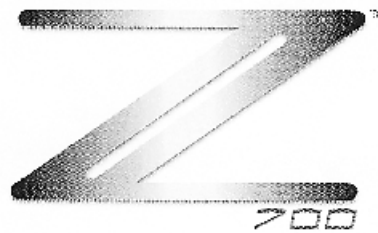
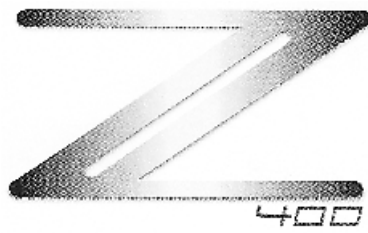
26

PART LISTING / PRICE LIST

MODEL No.

L2310
L2315

ITEM	PART NUMBER	MODELS TO FIT	PART DESCRIPTION	LIST COST
22	38614044	L2310, L2315	FURNITURE NOZZLE	5.66
23	59644021	L2310, L2315	TOOL CADDY	28.34
24	59644011	L2310, L2315	UTILITY VALVE / RETAINER RING COVER	15.87
25	59644018	L2310, L2315	SCREW PACK - 4 SCREWS AND ANCHORS WALL BRACKET MOUNT	2.03
	59644106	L2315	MOTOR MOUNTING HARDWARE PACK - FOR 59644088 / 10 AMP MOTOR ORDER 59644117	N.A.
	59644107	L2310, L2315	MOUNTING BOLT HARDWARE PACK	3.60
	59644117	L2310, L2315	MOTOR MOUNTING KIT - 10 AMP MOTOR W/O TOC 2 - 27618106 / WIRE CONNECTOR 1 - 36322030 / MOTOR MOUNT - SMALL 2 - 59644105 / LOCK WASHER - 1/4" ID 1 - 59644110 / MOTOR GASKET - 2.750" ID 1 - 59644111 / MOTOR BRACKET 2 - 59644113 / SCREW - 1/4" DIA 20 THD x 3/4" 1 - 59644114 / TCO 120 DEG C 1 - 59644115 / TIE WRAP 1 - 59644116 / SNAP-ON HUB	11.71
	59644124	L2310, L2315	MOTOR MOUNTING KIT - 10 AMP MOTOR WITH TOC 1 - 36322030 / MOTOR MOUNT - SMALL 2 - 59644105 / LOCK WASHER - 1/4" ID 1 - 59644110 / MOTOR GASKET - 2.750" ID 1 - 59644111 / MOTOR BRACKET 2 - 59644113 / SCREW - 1/4" DIA 20 THD x 3/4"	9.50

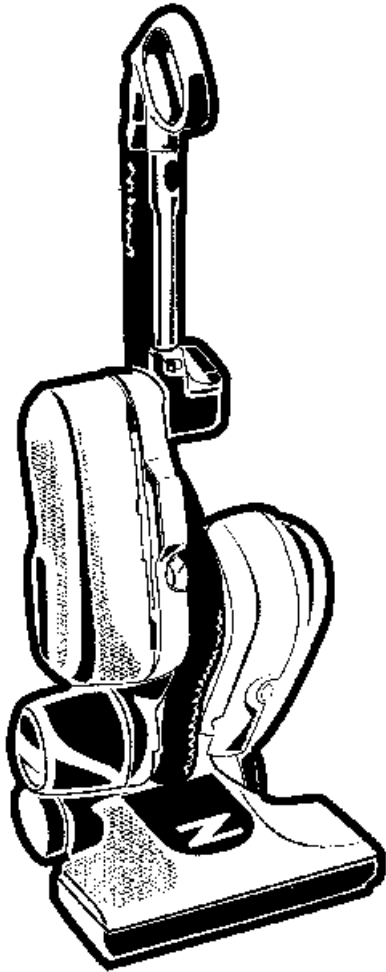


SECTION CONTENTS

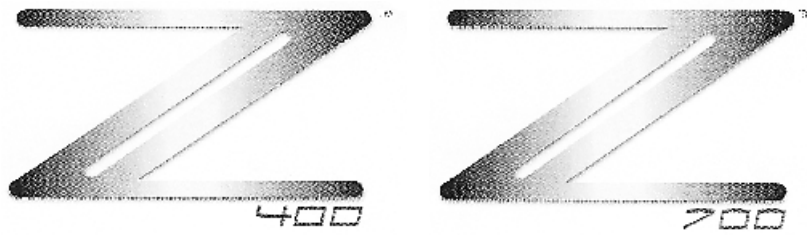
<u>MODEL NO.</u>	<u>PAGE NO.</u>
U9125-900	27-2 THRU 27-9
U9145-900	27-2 THRU 27-9

MODEL NO.

U9125-900
U9145-900

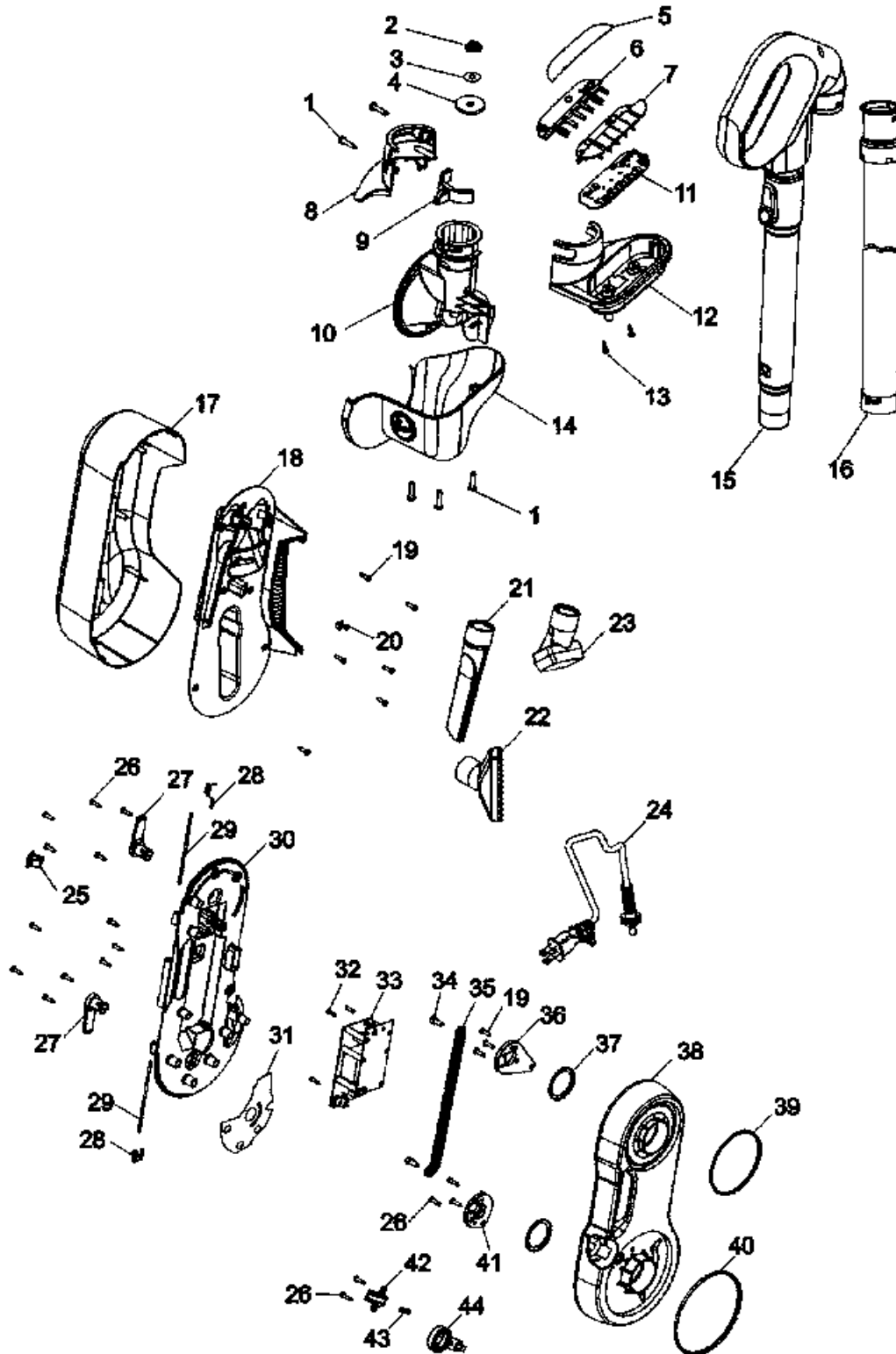


- * PRICING, SPECIFICATION'S, AND PRODUCT AVAILABILITY ARE SUBJECT TO CHANGE WITHOUT NOTICE. PRICING IS FOB FACTORY, CANTON, OH
- * ALL INFORMATION CONTAINED WITHIN THIS SERVICE MANUAL IS PROPRIETARY INFORMATION OF TTI FLOOR CARE NORTH AMERICA.
- * **WARNING:** TO REDUCE THE RISK OF ELECTRICAL SHOCK OR INJURY, ALWAYS DISCONNECT THE APPLIANCE CORD FROM THE ELECTRICAL OUTLET OR REMOVE BATTERY PRIOR TO SERVICING THE UNIT.



27

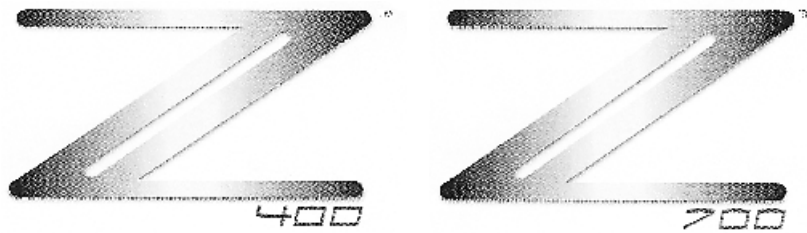
ASSEMBLY SCHEMATIC



MODEL NO.

U9125-900

U9145-900



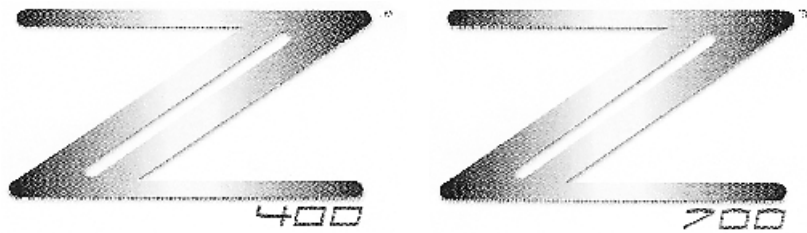
27

PART LISTING / PRICE LIST

ITEM	PART NUMBER	MODELS TO FIT	PART DESCRIPTION	LIST COST
1	92001172	U9125-900, U9145-900	SCREW - #8 3/4"	N.L.A.
2	92001173	U9125-900, U9145-900	NUT - SELF THREADING	N.L.A.
3	21312829	U9125-900, U9145-900	WASHER	.57
4	92001174	U9125-900, U9145-900	UPPER HANDLE SUPPORT SEAL	N.L.A.
5	92001175	U9125-900, U9145-900	CONTROL PANEL OVERLAY	2.82
6	92001176	U9125-900	CONTROL PANEL DISPLAY	1.07
	92001216	U9145-900	CONTROL PANEL DISPLAY	1.46
7	92001177	U9125-900	SWITCH CAP - TRIMMED	7.93
	92001217	U9145-900	SWITCH CAP - TRIMMED	N.L.A.
	92001235	U9125-900, U9145-900	WIRE HARNESS PANEL	5.66
	92001236	U9125-900, U9145-900	WIRE HARNESS NOZZLE SIGNAL	15.87
8	92001182	U9125-900	CONTROL PANEL HOUSING - RIGHT ARTIC WHITE	2.26
	92001218	U9145-900	CONTROL PANEL HOUSING - RIGHT BLUE STEEL METALLIC	2.26
9	92001178	U9125-900, U9145-900	UPPER HANDLE LATCH	N.L.A.
10	92001180	U9125-900, U9145-900	UPPER HANDLE PIVOT SUPPORT	3.73
11	92001179	U9125-900, U9145-900	PCB - CONTROL PANEL ASSEMBLY	30.61
12	92001181	U9125-900	CONTROL PANEL HOUSING - LEFT ARTIC WHITE	2.26
	92001219	U9145-900	CONTROL PANEL HOUSING - LEFT BLUE STEEL METALLIC	2.26
13	21447239	U9125-900, U9145-900	SCREW	.57
14	92001183	U9125-900, U9145-900	CONTROL PANEL BOTTOM COVER	6.00
	92001232	U9125-900, U9145-900	MEDALLION	N.L.A.
15	92001187	U9125-900, U9145-900	UPPER HANDLE / WAND ASSEMBLY	28.34
16	92001188	U9125-900, U9145-900	HOSE ASSEMBLY	29.47
17	92001185	U9125-900	STORAGE DOOR - ARTIC WHITE	12.23
	92001220	U9145-900	STORAGE DOOR - BLUE STEEL METALLIC	13.60
18	92001186	U9125-900	STORAGE DOOR INSERT	5.09
	92001221	U9145-900	STORAGE DOOR INSERT	6.56
19	214793DA	U9125-900, U9145-900	SCREW	.57
20	92001192	U9125-900, U9145-900	DOOR LATCH - MALE	.79
21	38617033	U9125-900, U9145-900	CREVICE TOOL	3.39
22	92001196	U9125-900	FURNITURE NOZZLE	3.39
	92001019	U9145-900	TURBINE HAND TOOL	18.13

MODEL No.

U9125-900
U9145-900



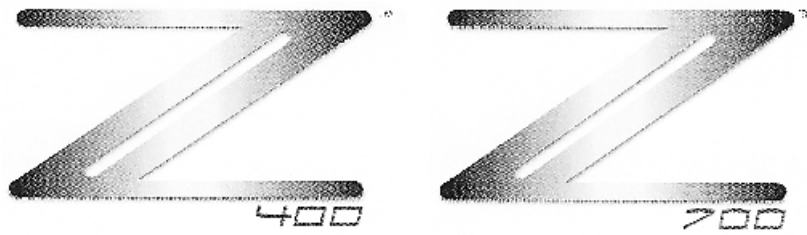
27

PART LISTING / PRICE LIST

ITEM	PART NUMBER	MODELS TO FIT	PART DESCRIPTION	LIST COST
23	43414197	U9125-900, U9145-900	DUSTING BRUSH ASSEMBLY	2.68
24	92001197	U9125-900, U9145-900	POWER CORD - 35'	17.00
25	92001193	U9125-900, U9145-900	DOOR LATCH - FEMALE	1.12
26	21447235	U9125-900, U9145-900	SCREW - SELF TAPPING	N.L.A.
27	92001199	U9125-900, U9145-900	CORD WRAP	N.L.A.
28	12002714	U9125-900, U9145-900	DOOR SPRING KIT	1.12
29	92001200	U9125-900, U9145-900	HINGE PIN	N.L.A.
30	92001189	U9125-900, U9145-900	UPPER PIVOT - MID PLATE	7.93
31	92001241	U9125-900, U9145-900	INSULATOR	N.L.A.
32	21447233	U9125-900, U9145-900	SCREW	N.L.A.
33	92001201	U9125-900, U9145-900	PCB - POWER / MICRO ASSEMBLY	90.71
34	92001205	U9125-900, U9145-900	PIVOT RETAINER PIN	1.12
35	92001208	U9125-900, U9145-900	UPPER PIVOT ROD	1.69
36	92001204	U9125-900, U9145-900	UPPER PIVOT RETAINER	1.12
37	92001202	U9125-900, U9145-900	PIVOT RETAINER BUSHING	2.03
38	92001184	U9125-900, U9145-900	UPPER PIVOT HOUSING	17.00
39	92001191	U9125-900, U9145-900	UPPER PIVOT BUSHING	N.L.A.
40	92001190	U9125-900, U9145-900	MIDDLE PIVOT BUSHING	2.03
41	92001203	U9125-900, U9145-900	MIDDLE PIVOT RETAINER	1.01
42	92001207	U9125-900, U9145-900	RELEASE PIN RETAINER	1.12
43	92001160	U9125-900, U9145-900	TENSION SPRING	.57
44	92001206	U9125-900, U9145-900	RELEASE PIN	6.79
	92001259	U9125-900, U9145-900	HARD FLOOR BRUSH	17.00
	38634078	U9125-900, U9145-900	EXTENSION TUBE	6.79

MODEL No.

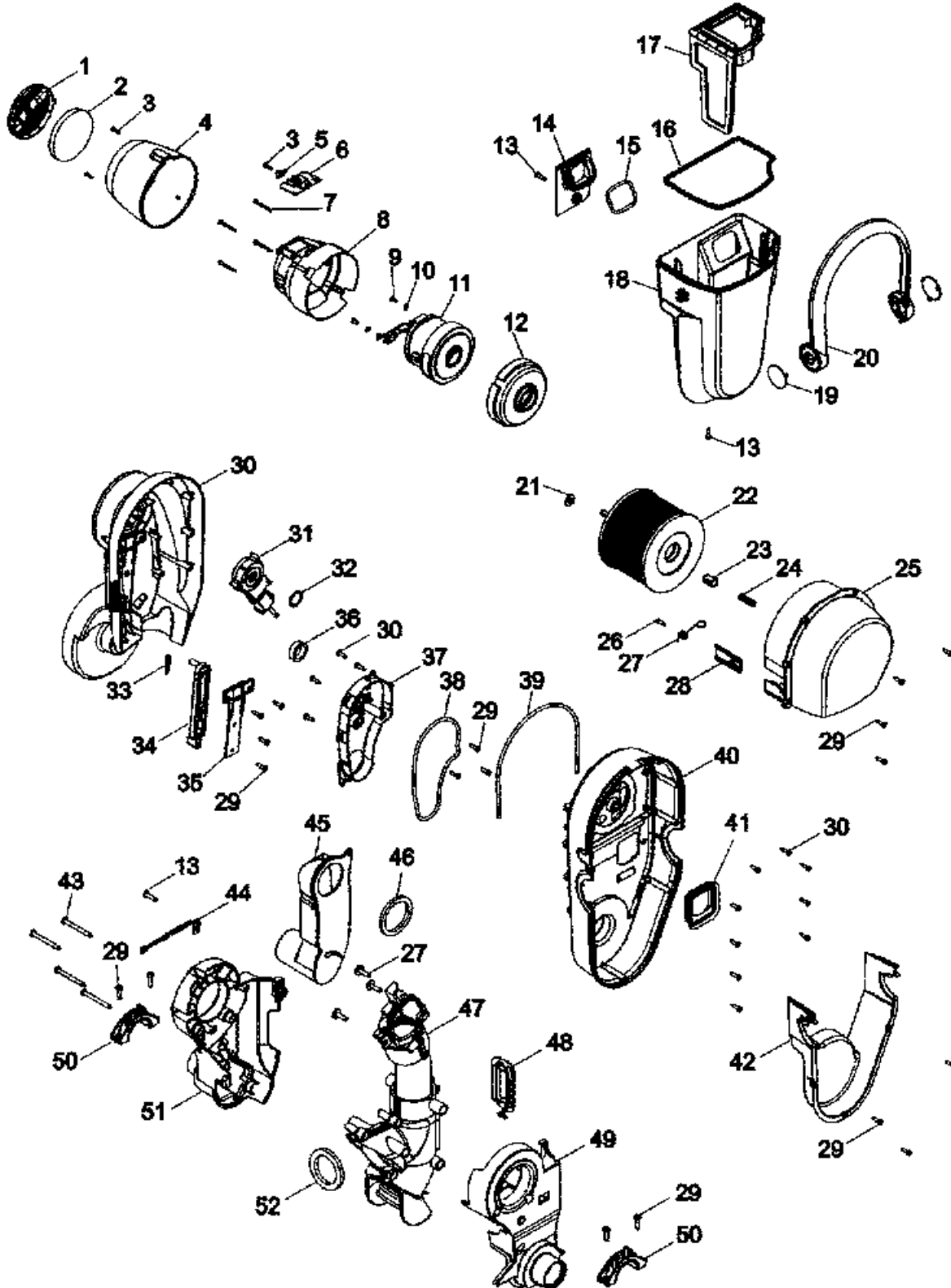
U9125-900
U9145-900

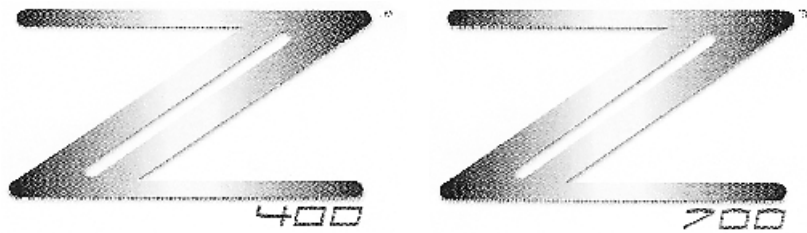


27

ASSEMBLY SCHEMATIC

MODEL NO.
U9125-900
U9145-900





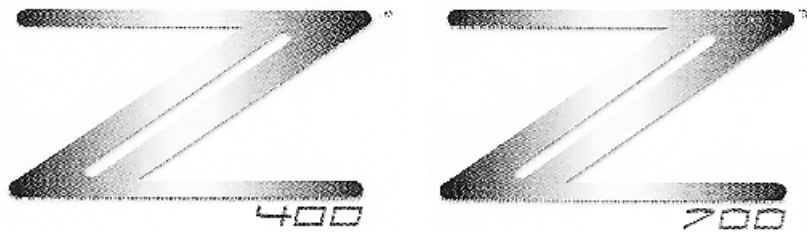
27

PART LISTING / PRICE LIST

ITEM	PART NUMBER	MODELS TO FIT	PART DESCRIPTION	LIST COST
1	92001111	U9125-900, U9145-900	FINAL FILTER RETAINER	10.20
2	92001109	U9125-900, U9145-900	FINAL FILTER	2.09
3	21447235	U9125-900, U9145-900	SCREW - SELF TAPPING	N.L.A.
4	92001103	U9125-900	MOTOR COVER - ARTIC WHITE	4.90
	92001213	U9145-900	MOTOR COVER - BLUE STEEL METALLIC	4.53
5	92001112	U9125-900, U9145-900	CIRCUIT BOARD RETAINER	.62
6	92001108	U9125-900, U9145-900	PCB ASSEMBLY	11.33
	92001234	U9125-900, U9145-900	POWER WIRE HARNESS	11.33
7	21447121	U9125-900, U9145-900	SCREW	.57
8	92001104	U9125-900, U9145-900	MOTOR MOUNT	4.07
9	92001106	U9125-900, U9145-900	SCREW - #10 - 32	N.A.
10	92001105	U9125-900, U9145-900	WASHER	N.A.
11	92001107	U9125-900, U9145-900	MOTOR	73.70
12	92001110	U9125-900, U9145-900	MOTOR SEAL	N.L.A.
13	21447235	U9125-900, U9145-900	SCREW - SELF TAPPING	N.L.A.
14	92001138	U9125-900, U9145-900	DIRT CUP DUCT	N.L.A.
15	92001139	U9125-900, U9145-900	DIRT CUP DUCT SEAL	1.69
16	92001140	U9125-900, U9145-900	SEAL - 20.438"	N.L.A.
17	92001137	U9125-900, U9145-900	PRE-FILTER BODY ASSEMBLY ORDER 92001141 DIRT CUP COMPLETE	N.L.A.
18	92001141	U9125-900, U9145-900	DIRT CUP ASSEMBLY	43.65
19	92001143	U9125-900, U9145-900	DIRT CUP HANDLE COVER	N.L.A.
20	92001142	U9125-900, U9145-900	DIRT CUP HANDLE	N.L.A.
21	92001144	U9125-900, U9145-900	THRUST WASHER	.57
22	92001146	U9125-900, U9145-900	MAIN FILTER ASSEMBLY	44.61
23	92001159	U9125-900, U9145-900	THRUST BUTTON	.89
24	92001147	U9125-900, U9145-900	COMPRESSION SPRING	N.L.A.
25	92001148	U9125-900, U9145-900	FILTER HOUSING ASSEMBLY	6.79
26	21447223	U9125-900, U9145-900	SCREW - SELF TAPPING	.23
27	92001150	U9125-900	FLICKER SPRING	N.L.A.
	92001147	U9145-900	COMPRESSION SPRING	N.L.A.
28	92001149	U9125-900, U9145-900	SPRING RETAINER	N.L.A.
29	214793DA	U9125-900, U9145-900	SCREW	.57
30	92001154	U9125-900, U9145-900	MAIN PIVOT HOUSING ASSEMBLY - RIGHT	31.17
	93001964	U9125-900, U9145-900	ACTUATOR / BRUSH ROLL MAGNET	1.69
31	92001155	U9125-900, U9145-900	MAIN FILTER TRANSMISSION	15.30
32	90001195	U9125-900, U9145-900	O-RING	.57

MODEL No.

U9125-900
U9145-900



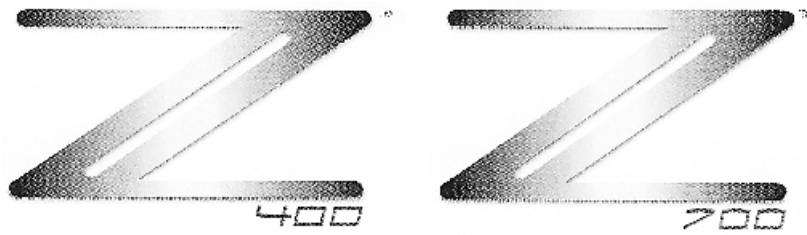
27

PART LISTING / PRICE LIST

ITEM	PART NUMBER	MODELS TO FIT	PART DESCRIPTION	LIST COST
33	92001160	U9125-900, U9145-900	TENSION SPRING	.57
34	92001158	U9125-900, U9145-900	MAIN PIVOT ROD	2.03
35	92001171	U9125-900, U9145-900	MAIN PIVOT ROD GUIDE	.89
36	92001242	U9125-900, U9145-900	CLEAN AIR DUCT SEAL	.79
37	92001156	U9125-900, U9145-900	CLEAN AIR DUCT	2.59
38	92001157	U9125-900, U9145-900	SEAL - 18.125"	N.L.A.
39	92001215	U9125-900, U9145-900	SEAL - 17.125"	1.12
40	92001248	U9125-900, U9145-900	MAIN PIVOT HOUSING - LEFT ARTIC WHITE	12.07
	92001247	U9125-900, U9145-900	MAIN PIVOT HOUSING - LEFT BLUE STEEL METALLIC	12.07
41	92001170	U9125-900, U9145-900	DIRT CUP INLET SEAL	.67
42	92001151	U9125-900, U9145-900	DIRT CUP HOUSING	2.13
43	21447121	U9125-900, U9145-900	SCREW	.57
44	92001161	U9125-900, U9145-900	PCB - HALL ASSEMBLY	11.33
45	92001162	U9125-900, U9145-900	OUTLET DUCT ASSEMBLY	4.47
46	92001163	U9125-900, U9145-900	CLEAN AIR DUCT SEAL	N.L.A.
47	92001153	U9125-900, U9145-900	CONNECTOR ASSEMBLY	15.30
48	92001164	U9125-900, U9145-900	ACCESS DOOR	1.12
49	92001165	U9125-900, U9145-900	NOZZLE CONNECTOR - LEFT	9.06
50	92001167	U9125-900, U9145-900	TRUNNION COVER	.66
51	92001166	U9125-900, U9145-900	NOZZLE CONNECTOR - RIGHT	5.67
52	92001169	U9125-900, U9145-900	HOSE SEAL	.89
	93001964	U9125-900, U9145-900	ACTUATOR MAGNET	1.69

MODEL No.

U9125-900
U9145-900



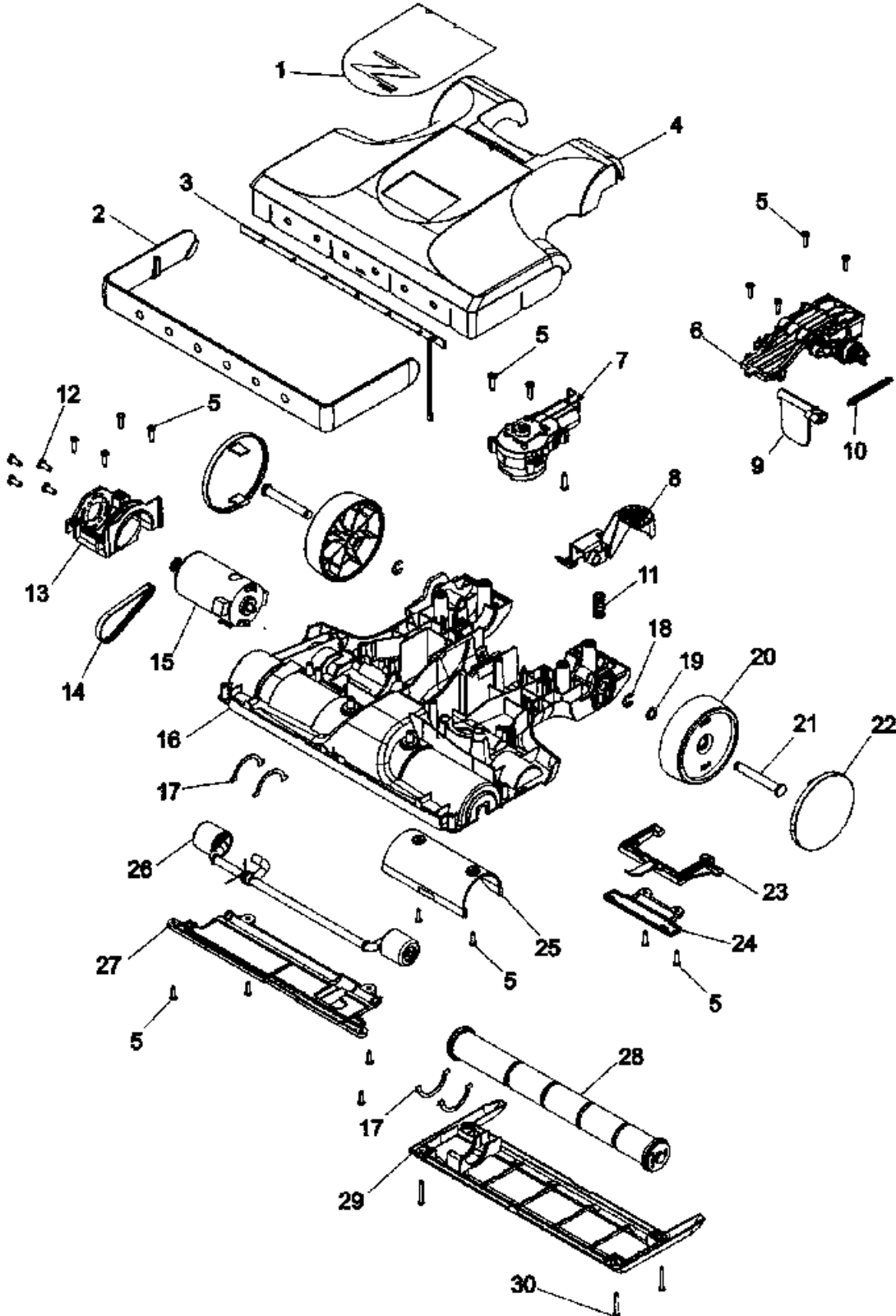
27

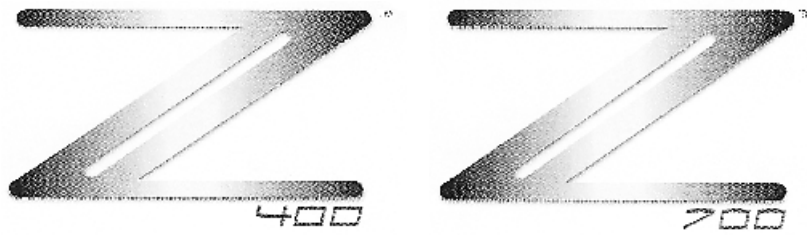
ASSEMBLY SCHEMATIC

MODEL NO.

U9125-900

U9145-900





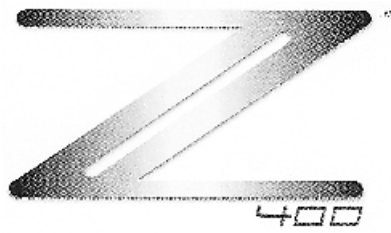
27

PART LISTING / PRICE LIST

MODEL No.

U9125-900
U9145-900

ITEM	PART NUMBER	MODELS TO FIT	PART DESCRIPTION	LIST COST
1	92001135	U9125-900	HOOD / NOZZLE COVER NAME PLATE	N.A.
	92001209	U9145-900	HOOD / NOZZLE COVER NAME PLATE	14.16
2	92001122	U9125-900	FURNITURE GUARD	N.A.
	92001212	U9145-900	FURNITURE GUARD WITH LED	N.L.A.
3	92001211	U9145-900	PCB - HEADLIGHT	13.03
4	92001123	U9125-900	HOOD / NOZZLE COVER ASSEMBLY - ARTIC WHITE	N.L.A.
	92001210	U9145-900	HOOD / NOZZLE COVER ASSEMBLY - BLUE STEEL METALLIC	17.00
5	214793DA	U9125-900, U9145-900	SCREW	.57
6	92001133	U9125-900, U9145-900	DUCT COVER ASSEMBLY	5.32
7	92001127	U9125-900, U9145-900	HEIGHT ADJUSTMENT TRANSMISSION	20.97
8	92001128	U9125-900, U9145-900	HANDLE RELEASE PEDAL	2.03
9	92001134	U9125-900, U9145-900	VALVE DOOR	.85
10	38333009	U9125-900, U9145-900	SPRING	1.12
11	92001131	U9125-900, U9145-900	COMPRESSION SPRING	.57
12	92001136	U9125-900, U9145-900	SCREW - M5 x 12	N.A.
13	92001120	U9125-900, U9145-900	MOTOR MOUNT	2.26
14	92001118	U9125-900, U9145-900	POLY V-BELT	5.24
15	92001119	U9125-900, U9145-900	MOTOR - AGITATOR / BRUSH ROLL	53.85
	92001237	U9125-900, U9145-900	WIRE HARNESS	5.09
16	92001132	U9125-900, U9145-900	MAIN BODY / NOZZLE BASE	44.22
17	92001116	U9125-900, U9145-900	AGITATOR / BRUSH ROLL PULLEY SEAL	.57
18	160017--	U9125-900, U9145-900	LOCK RING	.58
19	163110--	U9125-900, U9145-900	WASHER	.40
20	92001126	U9125-900, U9145-900	REAR WHEEL WITH OVERMOLD	3.96
21	92001125	U9125-900, U9145-900	REAR AXLE	N.L.A.
22	92001124	U9125-900, U9145-900	WHEEL CAP	1.12
23	92001129	U9125-900, U9145-900	HANDLE RELEASE LEVER	1.69
24	92001130	U9125-900, U9145-900	HANDLE RELEASE MOUNTING PLATE	1.35
25	92001121	U9125-900, U9145-900	NOZZLE DUCT COVER	1.27
26	92001117	U9125-900, U9145-900	FRONT WHEEL ASSEMBLY	9.63
27	92001114	U9125-900, U9145-900	FRONT AXLE MOUNTING PLATE	3.16
28	92001115	U9125-900, U9145-900	AGITATOR / BRUSH ROLL ASSEMBLY	25.50
29	92001113	U9125-900, U9145-900	BOTTOM PLATE / NOZZLE GUARD	11.33
30	21479438	U9125-900, U9145-900	SCREW	1.12



27

NOTES

MODEL NO.



FUSION™ MACH³
MACH⁴
MACH⁵
Power Max MACH⁶

cyclonic
TurboPOWER
 MULTI-CHAMBER CLEANING SYSTEM

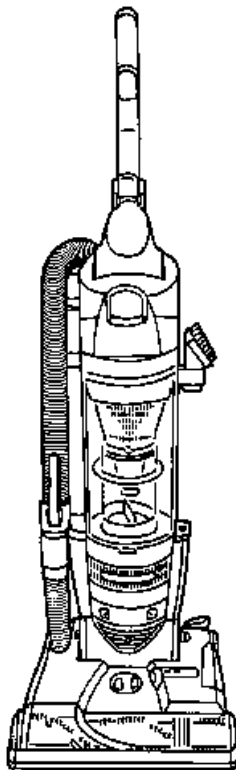
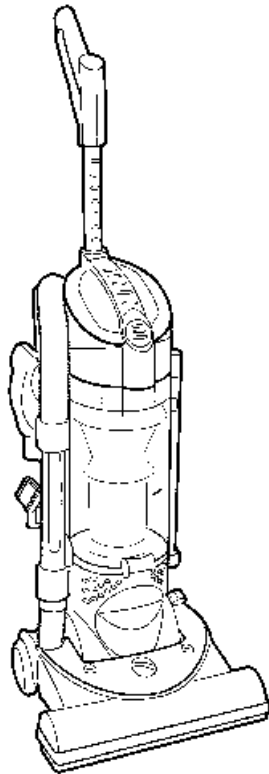
WINDTUNNEL
 + **cyclonic**

WHISPER
cyclonic
 Filtration System

28

SECTION CONTENTS

MODEL No.



<u>MODEL No.</u>	<u>PAGE No.</u>
U5180-900	28-2 THRU 28-8
U5180-910	28-2 THRU 28-8
U5182-900	28-2 THRU 28-8
U5183-900	28-2 THRU 28-8
U5185-900	28-2 THRU 28-8
UH70005B	28-2 THRU 28-8
U5780-900	28-9 THRU 28-13
U5781-900	28-9 THRU 28-13
UH70035	28-9 THRU 28-13
UH70085	28-9 THRU 28-13
U5194-900	28-14 THRU 28-18
U5198-900	28-14 THRU 28-18
U5199-900	28-14 THRU 28-18
UH70040	28-14 THRU 28-18
U5184-900	28-19 THRU 28-20

U5180-900
U5180-910
U5182-900
U5183-900
U5184-900
U5185-900
U5780-900
U5781-900
U5194-900
U5198-900
U5199-900
UH70005B
UH70035
UH70040
UH70085

- * PRICING, SPECIFICATION'S, AND PRODUCT AVAILABILITY ARE SUBJECT TO CHANGE WITHOUT NOTICE. PRICING IS FOB FACTORY, CANTON, OH
- * ALL INFORMATION CONTAINED WITHIN THIS SERVICE MANUAL IS PROPRIETARY INFORMATION OF TTI FLOOR CARE NORTH AMERICA.
- * **WARNING:** TO REDUCE THE RISK OF ELECTRICAL SHOCK OR INJURY, ALWAYS DISCONNECT THE APPLIANCE CORD FROM THE ELECTRICAL OUTLET OR REMOVE BATTERY PRIOR TO SERVICING THE UNIT.



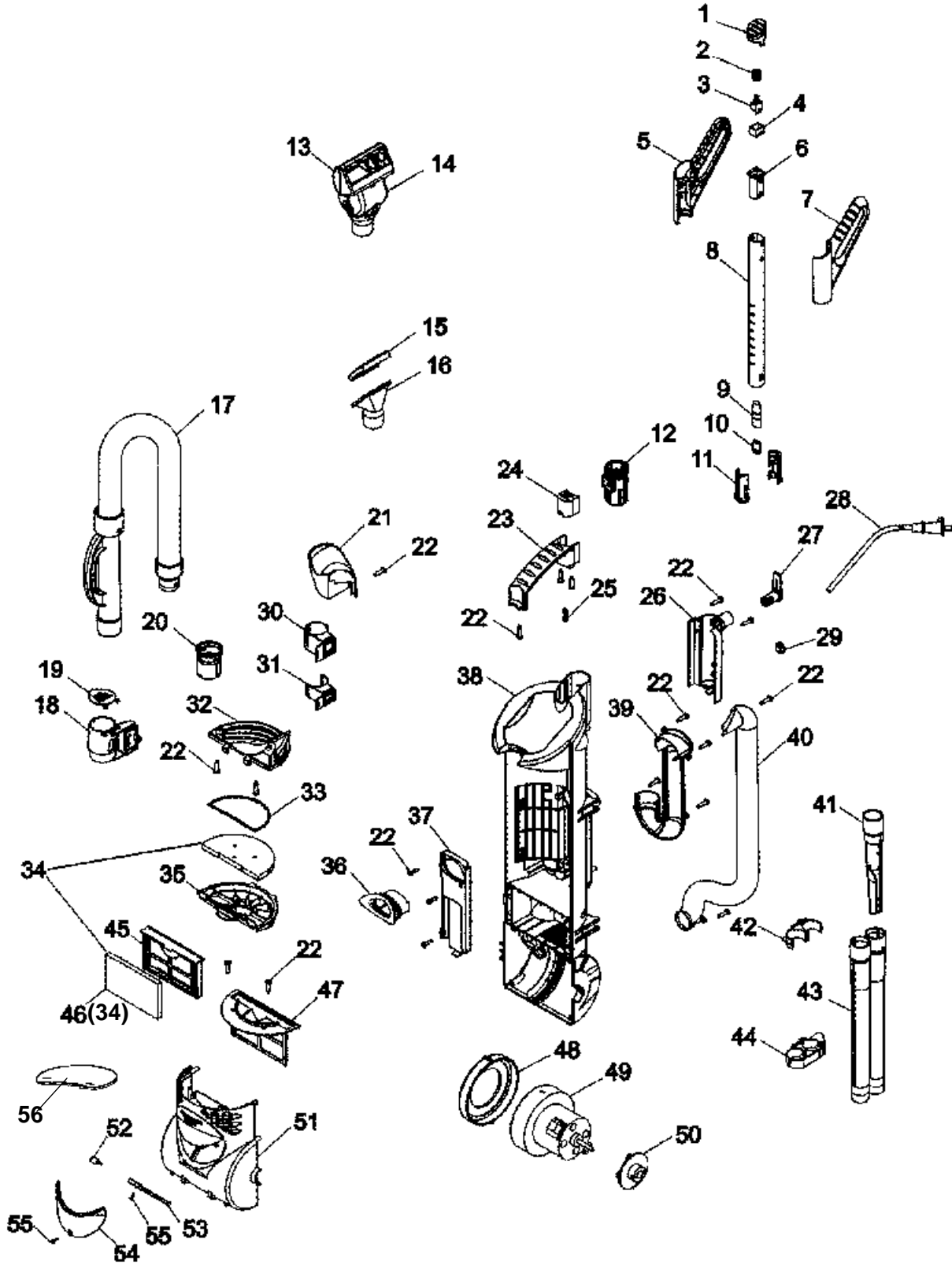
FUSION™

Power Max

MACH³

28

ASSEMBLY SCHEMATIC



MODEL NO.

- U5180-900
- U5180-910
- U5182-900
- U5183-900
- U5185-900
- UH70005B



FUSION™

Power Max

MACH³

28

PART LISTING / PRICE LIST

ITEM	PART NUMBER	MODELS TO FIT	PART DESCRIPTION	LIST COST
1	93001707	ALL	SWITCH BUTTON	.85
	93002352	U5185900	SWITCH BUTTON - PURPLE	N.L.A.
2	93001706	ALL	SWITCH BUTTON SPRING	.85
3	93001705	ALL	SWITCH	5.66
4	93001703	ALL	SWITCH HOLDER	.85
5	93001699	ALL	HANDLE - LEFT PURPLE	1.69
	93002350	U5185900	HANDLE - LEFT GRAPHITE SILVER METTALIC	2.03
6	93001702	ALL	SWITCH SLEEVE	.85
7	93001704	ALL	HANDLE - RIGHT PURPLE	1.69
	93002351	U5185900	HANDLE - RIGHT GRAPHITE SILVER METALLIC	2.03
8	93001698	ALL	TELESCOPING TUBE	7.93
9	93001700	ALL	MALE CONNECTOR	2.26
10	93001717	ALL	FEMALE CONNECTOR	4.53
11	93001701	ALL	FIXING PLATE - MALE CONNECTOR	.85
12	93001697	ALL	HANDLE SLEEVE	1.12
13	93001712	ALL	UPPER HOUSING	2.82
14	49129032	ALL	TURBINE HAND TOOL	14.62
15	93001716	ALL	BRUSH - REMOVABLE	1.46
16	93001715	ALL	FURNITURE NOZZLE	3.39
17	93001710	ALL	HOSE ASSEMBLY	11.33
	59156153	U5182900, U5183900	HOSE ASSEMBLY	PENDING
18	93001657	ALL	LOWER HOSE HOLDER	10.20
	93002331	U5185900	LOWER HOSE HOLDER - MAG GRAY	7.36
19	93001658	ALL	DEBRIS DOOR	1.12
20	93001690	ALL	ADAPTOR	.85
21	93001711	ALL	UPPER HOSE HOLDER	.85
	93002354	U5185900	UPPER HOSE HOLDER - MAG GRAY	1.12
22	93001728	ALL	SCREW - SELF TAPPING	.57
23	93001696	U5180900, U5180910	CARRY HANDLE - RED	1.69
	93002321	U5182900, U5183900	CARRY HANDLE - MYSTIC LIME GREEN	N.A.
	93002349	U5185900	CARRY HANDLE - PURPLE	N.L.A.
24	93001708	U5180900, U5180910	HANDLE RELEASE BUTTON - RED	.85
	93002322	U5182900, U5183900	HANDLE RELEASE BUTTON - LIME GREEN	2.26
	93002353	U5185900	HANDLE RELEASE BUTTON - PURPLE	N.L.A.
25	93001709	ALL	HANDLE RELEASE BUTTON SPRING	.85
26	93001695	ALL	HANDLE COVER	1.69
	93002348	U5185900	HANDLE COVER - GRAPHITE SILVER	N.L.A.
27	93001694	ALL	CORD HOOK	.85
	93002347	U5185900	CORD HOOK - GRAPHITE GRAY	1.12

MODEL No.

U5180-900
 U5180-910
 U5182-900
 U5183-900
 U5185-900
 UH70005B



FUSION™

Power Max

MACH³

28

PART LISTING / PRICE LIST

ITEM	PART NUMBER	MODELS To FIT	PART DESCRIPTION	LIST COST
28	93001718	ALL	POWER CORD	10.20
29	93001693	ALL	FIXING PLATE - POWER CORD	N.A.
30	93001692	ALL	TURBINE TOOL HOLDER	.85
	93002346	U5185-900	TURBINE TOOL HOLDER - MAG GRAY	1.12
31	93001691	ALL	COMBINATION BRUSH HOLDER	.85
	93002345	U5185-900	COMBINATION BRUSH HOLDER - GRAY	1.12
32	93001722	ALL	PRE-MOTOR FILTER FRAME	1.12
	93001721	ALL	PRE-MOTOR FILTER FRAME WITH SEAL	1.69
33	93001724	ALL	SEAL - PRE MOTOR FILTER FRAME	.85
34	40110010	ALL	FILTER PACK - 2 PACK (1 EACH)	2.50 NON DISC
35	93001731	ALL	FILTER FRAME BOTTOM - PRE FILTER	1.12
36	93001720	ALL	DIRT CUP INLET SEAL	4.53
37	93001719	ALL	WIRE COVER	.85
38	93001680	ALL	BACK PANEL / DIRT CUP HOUSING	17.00
	93002341	U5185900	BACK PANEL / DIRT CUP HOUSING - SILVER	17.15
39	93001689	ALL	DUCT COVER	3.39
40	93001688	ALL	REAR DUCT	5.66
41	93001630	U5180900, U5180910	CREVICE TOOL - RED	4.53
	93002320	U5182900, U5183900	CREVICE TOOL - GREEN ORDER 93001630	N.A.
	93002344	U5185900	CREVICE TOOL - PURPLE ORDER 93001630	N.A.
42	93001683	ALL	UPPER TUBE HOLDER	.85
	93002343	U5185900	UPPER TUBE HOLDER - GRAPHITE SILVER	1.12
43	38634092	ALL	EXTENSION TUBE - 14"	7.36
44	93001681	ALL	LOWER TUBE HOLDER	.85
	93002342	U5185900	LOWER TUBE HOLDER - GRAPHITE SILVER	1.12
45	93001725	ALL	FINAL FILTER FRAME	1.12
46		ALL	FILTER PACK - ORDER 40110010	N.A.
47	93001727	ALL	FIXING COVER - FINAL FILTER FRAME	.85
48	93001679	ALL	MOTOR SEAL	3.39
49	93001678	ALL	MOTOR	48.18
50	93001677	ALL	REAR MOTOR PLATE	1.12
51	93001661	ALL	MOTOR COVER	6.23
	93002332	U5185900	MOTOR COVER - GRAPHITE SILVER	17.00
52	27313107	ALL	BULB	3.09
53	93001660	ALL	LAMP SOCKET	3.39
54	93001659	ALL	LENS	1.69
55	93001729	ALL	SCREW - SELF TAPPING	.57
56	93002520	ALL	SECONDARY FILTER - PRE MOTOR	4.01
	59156137	U5182-900, U5183-900, U5185-900	BARE FLOOR BRUSH - 12"	12.46

MODEL No.

U5180-900
 U5180-910
 U5182-900
 U5183-900
 U5185-900
 UH70005B



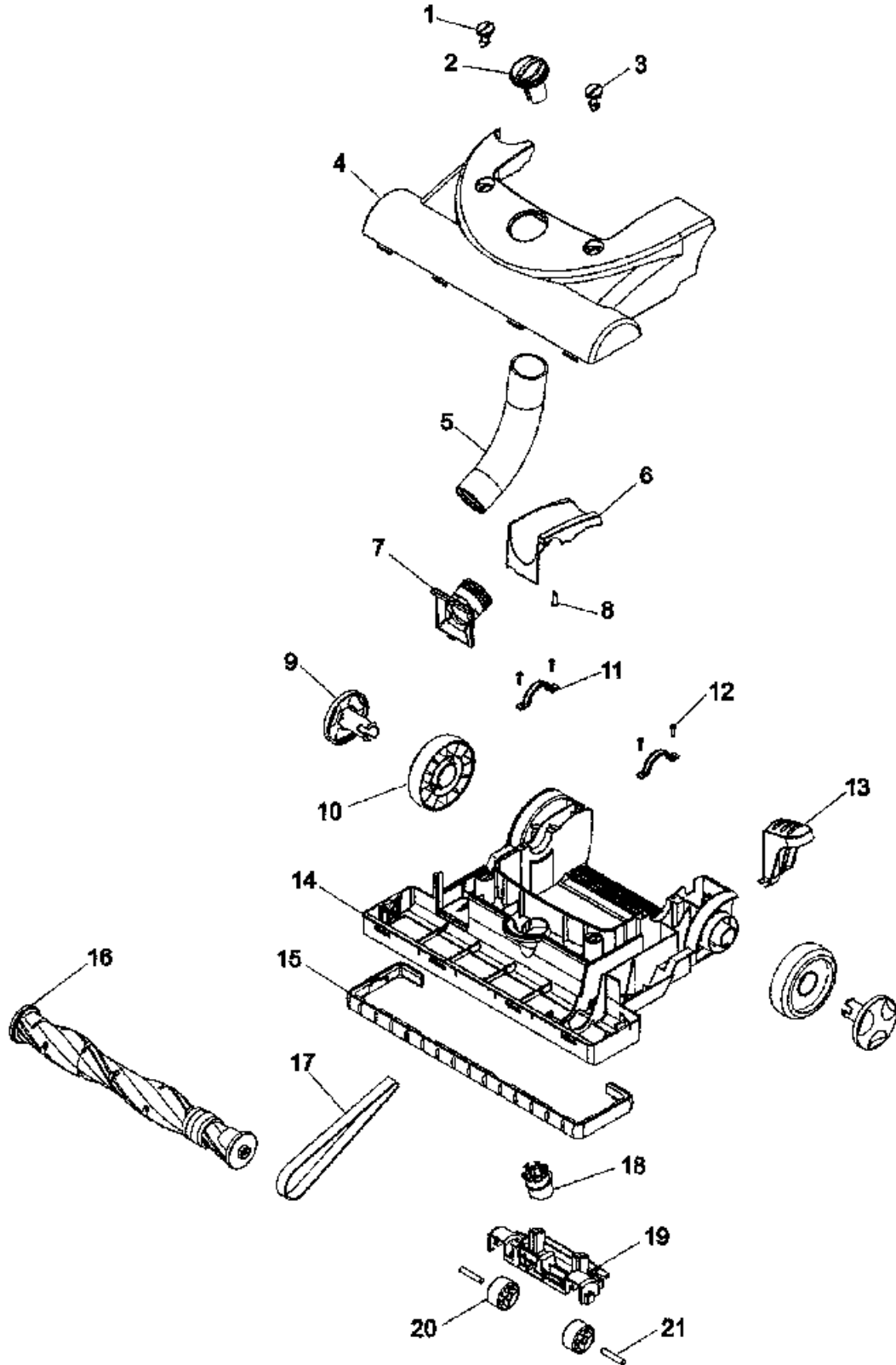
FUSION™

Power Max

MACH³

28

ASSEMBLY SCHEMATIC



MODEL No.

U5180-900
U5180-910
U5182-900
U5183-900
U5185-900
UH70005B



FUSION™

Power Max

MACH³

28

PART LISTING / PRICE LIST

MODEL No.

ITEM	PART NUMBER	MODELS TO FIT	PART DESCRIPTION	LIST COST
1	93001662	ALL	HOOD RETAINER - LEFT	.85
	93002333	U5185-900	HOOD RETAINER - LEFT GRAPHITE GRAY	N.L.A.
2	93001667	U5180-900, U5180-910	HEIGHT ADJUSTMENT KNOB - RED	1.12
	93002317	U5182-900, U5183-900	HEIGHT ADJUSTMENT KNOB - LIME GRN	1.46
	93002336	U5185-900	HEIGHT ADJUSTMENT KNOB - PURPLE	N.L.A.
3	93001668	ALL	HOOD RETAINER - RIGHT	.85
	93002337	U5185-900	HOOD RETAINER - RIGHT GRAPHITE GRAY	N.L.A.
4	93001669	ALL	HOOD / NOZZLE COVER - PURPLE / RED	6.79
	93002338	U5185-900	HOOD / NOZZLE COVER - GRAPHITE GRAY / PURPLE	8.49
5	93001654	ALL	LOWER HOSE	1.69
6	93001665	ALL	REAR COVER - MAIN BODY	1.12
	93002335	U5185-900	REAR COVER - MAIN BODY - SILVER	N.L.A.
7	93001655	ALL	INLET DUCT	.85
8	93001729	ALL	SCREW - SELF TAPPING	.57
9	93001673	U5180-900, U5180-910	REAR WHEEL HUB - RED	2.26
	93002319	U5182-900, U5183-900	REAR WHEEL HUB - MYSTIC LIME GREEN	2.03
	93002340	U5185-900	REAR WHEEL HUB - PURPLE	1.12
10	93001672	ALL	REAR WHEEL	2.26
11	93001663	ALL	TRUNNION	.85
12	93001729	ALL	SCREW - SELF TAPPING	.57
13	93001664	U5180-900, U5180-910	HANDLE RELEASE PEDAL - RED	2.26
	93002316	U5182-900, U5183-900	HANDLE RELEASE PEDAL - LIME GREEN	2.26
	93002334	U5185-900	HANDLE RELEASE PEDAL - PURPLE	N.L.A.
14	93001666	ALL	MAIN BODY	12.46
15	93001670	U5180-900, U5180-910	FURNITURE GUARD - RED	2.26
	93002318	U5182-900, U5183-900	FURNITURE GUARD - MYSTIC LIME GREEN	1.69
	93002339	U5185-900	FURNITURE GUARD - PURPLE	N.L.A.
16	48414132	ALL	AGITATOR / BRUSH ROLL 15" WOODEN	17.25
17	38528040	ALL	BELT	2.93
18	93001671	ALL	HEIGHT ADJUSTMENT CAM	.85
19	93001674	ALL	FRONT WHEEL CARRIAGE	3.96
20	93001675	ALL	FRONT WHEEL	2.26
21	93001676	ALL	FRONT WHEEL SHAFT	1.12

U5180-900
 U5180-910
 U5182-900
 U5183-900
 U5185-900
 UH70005B



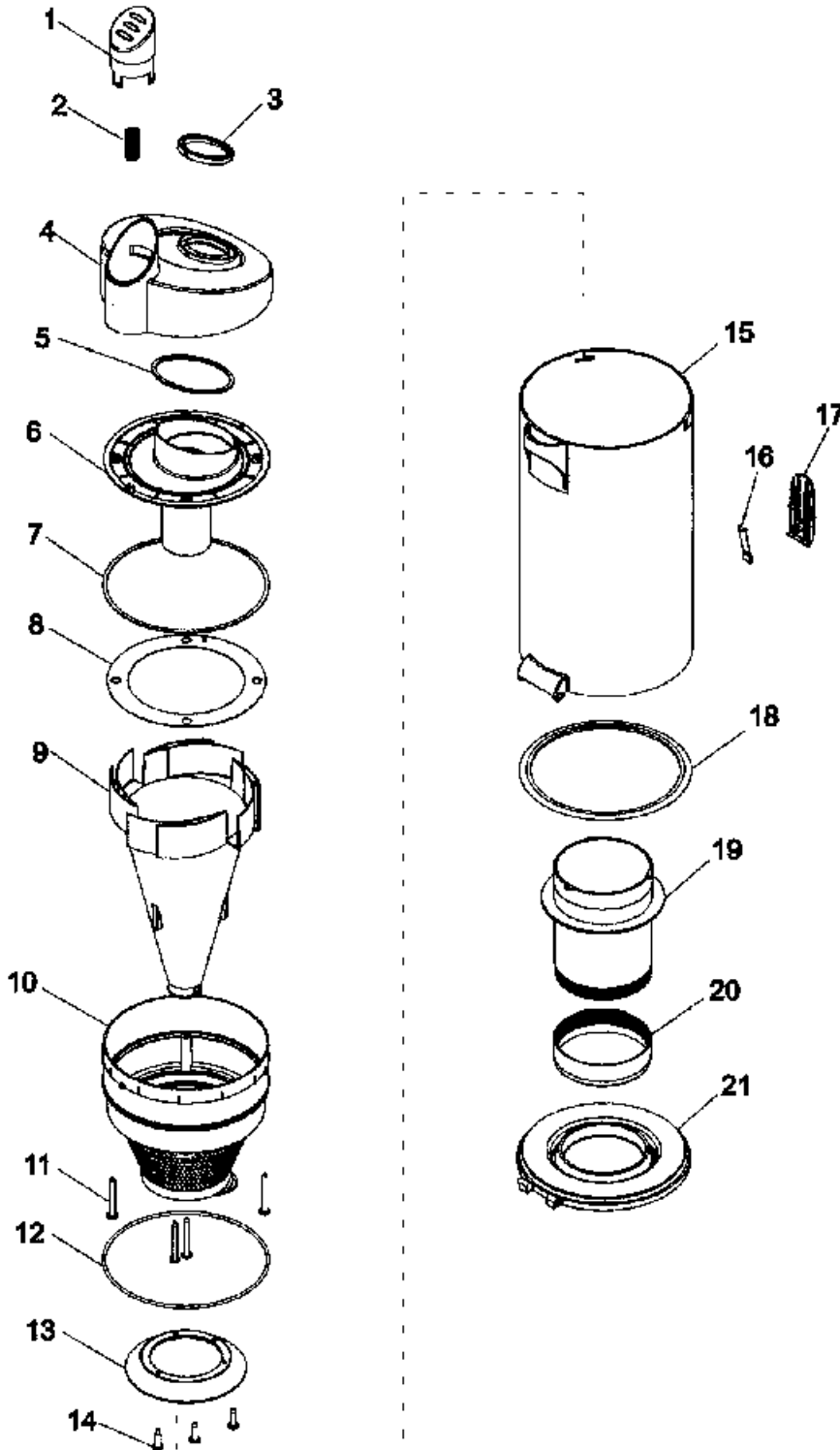
FUSION™

Power Max

MACH³

28

ASSEMBLY SCHEMATIC



MODEL NO.

- U5180-900
- U5180-910
- U5182-900
- U5183-900
- U5185-900
- UH70005B



FUSION™

Power Max

MACH³

28

PART LISTING / PRICE LIST

ITEM	PART NUMBER	MODELS To FIT	PART DESCRIPTION	LIST COST
1	93001635	U5180-900, U5180-910	DIRT CUP RELEASE BUTTON	1.46
	93002310	U5182-900, U5183-900	DIRT CUP RELEASE BUTTON	1.12
	93002324	U5185-900	DIRT CUP RELEASE BUTTON - PURPLE	N.L.A.
2	93001656	ALL	DIRT CUP RELEASE BUTTON SPRING	.85
3	93001647	ALL	DIRT CUP OUTLET SEAL	2.82
4	93001648	ALL	DIRT CUP COVER	3.39
	93002330	U5185-900	DIRT CUP COVER	N.L.A.
5	93001649	ALL	DIRT CUP COVER SEAL	1.12
6	93001650	ALL	DUCT	2.26
7	93001651	ALL	SEAL - DUCT B	.85
8	93001652	ALL	SEAL - DUCT A	.85
9	93001653	U5180-900, U5180-910	CONE SEPARATOR	3.39
	93002315	U5182-900, U5183-900, U5185-900	CONE SEPARATOR	3.73
10	93001636	U5180-900, U5180-910	CYCLONE FILTER	2.61
	93002311	U5182-900, U5183-900	CYCLONE FILTER	5.24
	93002325	U5185-900	CYCLONE FILTER - PURPLE	7.86
11	93001730	ALL	SCREW - SELF TAPPING	.57
12	93001637	U5180-900, U5180-910	FILTER SEAL - 1/8" - OLDER MODELS	1.02
	93001832	U5180-900, U5180-910	FILTER SEAL	3.39
	93001833	U5182-900, U5183-900, U5185-900	FILTER SEAL - 5/16"	1.12
13	93001638	ALL	SHROUD	1.12
	93002326	U5185-900	SHROUD - PURPLE	N.L.A.
14	93001729	ALL	SCREW - SELF TAPPING	.57
15	93001639	ALL	DIRT CUP	34.01
	93002327	U5185-900	DIRT CUP - SMOKE	34.04
16	93001641	ALL	DIRT CUP RELEASE SPRING	.85
17	93001640	U5180-900, U5180-910	DIRT CUP RELEASE BUTTON	1.12
	93002313	U5182-900, U5183-900	DIRT CUP RELEASE BUTTON	1.12
	93002328	U5185-900	DIRT CUP RELEASE BUTTON - PURPLE	.57
18	93001642	ALL	DIRT CUP LID SEAL	1.69
19	59156220	ALL	DUST CHAMBER / DIRT CUP - CLEAR	6.79
20	93001644	ALL	DUST CHAMBER SEAL	2.26
21	93001645	ALL	DIRT CUP LID WITH SEAL	4.86

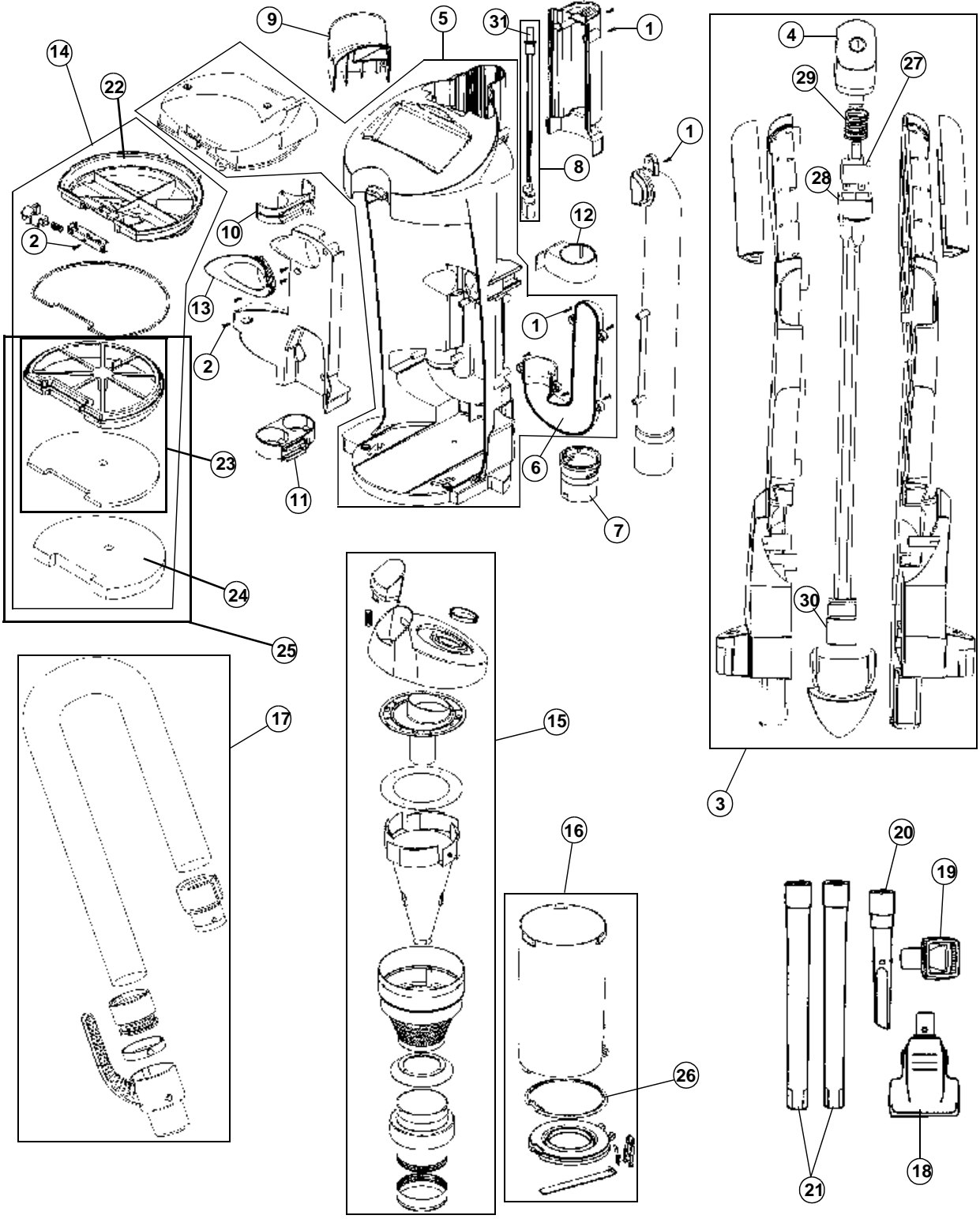
MODEL No.

U5180-900
U5180-910
U5182-900
U5183-900
U5185-900
UH70005B



28

ASSEMBLY SCHEMATIC



MODEL NO.
U5780-900
U5781-900
UH70035
UH70085



PART LISTING / PRICE LIST

MODEL No.

U5780-900
U5781-900
UH70035
UH70085

ITEM	PART NUMBER	MODELS TO FIT	PART DESCRIPTION	LIST COST
1	93001840	ALL	BODY SCREW 4.2 X 16 AND HANDLE SCREWS	.53
2	18381522	ALL	SCREW 3.5 X 12	N.L.A.
3	21150100	U5780900, U5781900, UH70085	HANDLE ASSEMBLY - SATIN RED METALLIC	10.44
		UH70035	HANDLE ASSEMBLY - SILVER METALLIC	
4	26211370	ALL	SWITCH BUTTON - CHROME	2.27
5	20144227	U5780900, U5781900, UH70085	MAIN HOUSING ASSEMBLY - SATIN RED METALLIC	23.58
		UH70035	MAIN HOUSING ASSEMBLY - SILVER METALLIC	
6	11041043	ALL	AIR DUCT COVER	1.59
7	11041044	ALL	AIR DUCT COVER ADAPTOR	.38
8	26401317	ALL	WIRING CONNECTOR ASSEMBLY	6.72
9	11041055	U5780900, U5781900, UH70085	UPPER HOSE HOLDER - SATIN RED METALLIC	.68
		UH70035	UPPER HOSE HOLDER - SILVER METALLIC	
10	11041053	U5780900, U5781900, UH70085	UPPER TUBE HOLDER - SATIN RED METALLIC	.23
		UH70035	UPPER TUBE HOLDER - SILVER METALLIC	
11	11041052	U5780900, U5781900, UH70085	LOWER TUBE HOLDER - SATIN RED METALLIC	.45
		UH70035	LOWER TUBE HOLDER - SILVER METALLIC	
12	11041065	U5780900, U5781900, UH70085	TURBINE POWER HAND TOOL HOLDER - SATIN RED METALLIC	.68
		UH70035	TURBINE POWER HAND TOOL HOLDER - SILVER METALLIC	
13	11041105	ALL	AIR INLET SEAL - DIRT CUP	4.08
14	40462125	ALL	COMPLETE SECONDARY FILTER ASSEMBLY WITH BOTTOM FILTER COVER	6.12
15	40108212	U5780900, U5781900, UH70085	DIRT CUP LID AND FILTER ASSEMBLY - SATIN RED METALLIC	25.52
		UH70035	DIRT CUP LID AND FILTER ASSEMBLY - SILVER METALLIC	
16	22150200	ALL	DIRT CUP ASSEMBLY	28.58
17	23986900	ALL	UPPER HOSE ASSEMBLY	10.06
	93002362	ALL	BONUS HOSE - OPTIONAL	13.03
18	15811012	ALL	TURBINE POWER HAND TOOL	13.91
	48414088	ALL	BRUSH ROLL - TURBINE POWER HAND TOOL	18.13
	38528037	ALL	BELT - TURBINE POWER HAND TOOL	5.24
19	15810030	ALL	FURNITURE BRUSH	.23



PART LISTING / PRICE LIST

ITEM	PART NUMBER	MODELS TO FIT	PART DESCRIPTION	LIST COST
20	15804217	ALL	CREVICE TOOL	.98
21	12640720	ALL	EXTENSION WAND	2.80
22	93002499	ALL	BOTTOM COVER - SECONDARY FILTER	1.82
23	93002517	ALL	SECONDARY FILTER ASSEMBLY - ORDER #25 / 40110012	N.L.A.
24	93002518	ALL	SECONDARY FOAM FILTER	3.73
25	40110012	ALL	SECONDARY FILTER WITH FOAM FILTER	9.45
26	93002437	ALL	GASKET - DIRT CUP DOOR	2.45
27	93001705	ALL	SWITCH	5.66
28	93001703	ALL	SWITCH HOLDER	.85
29	93001706	ALL	SWITCH SPRING	.85
30	93001700	ALL	MALE CONNECTOR	2.26
31	93001717	ALL	FEMALE CONNECTOR	4.53

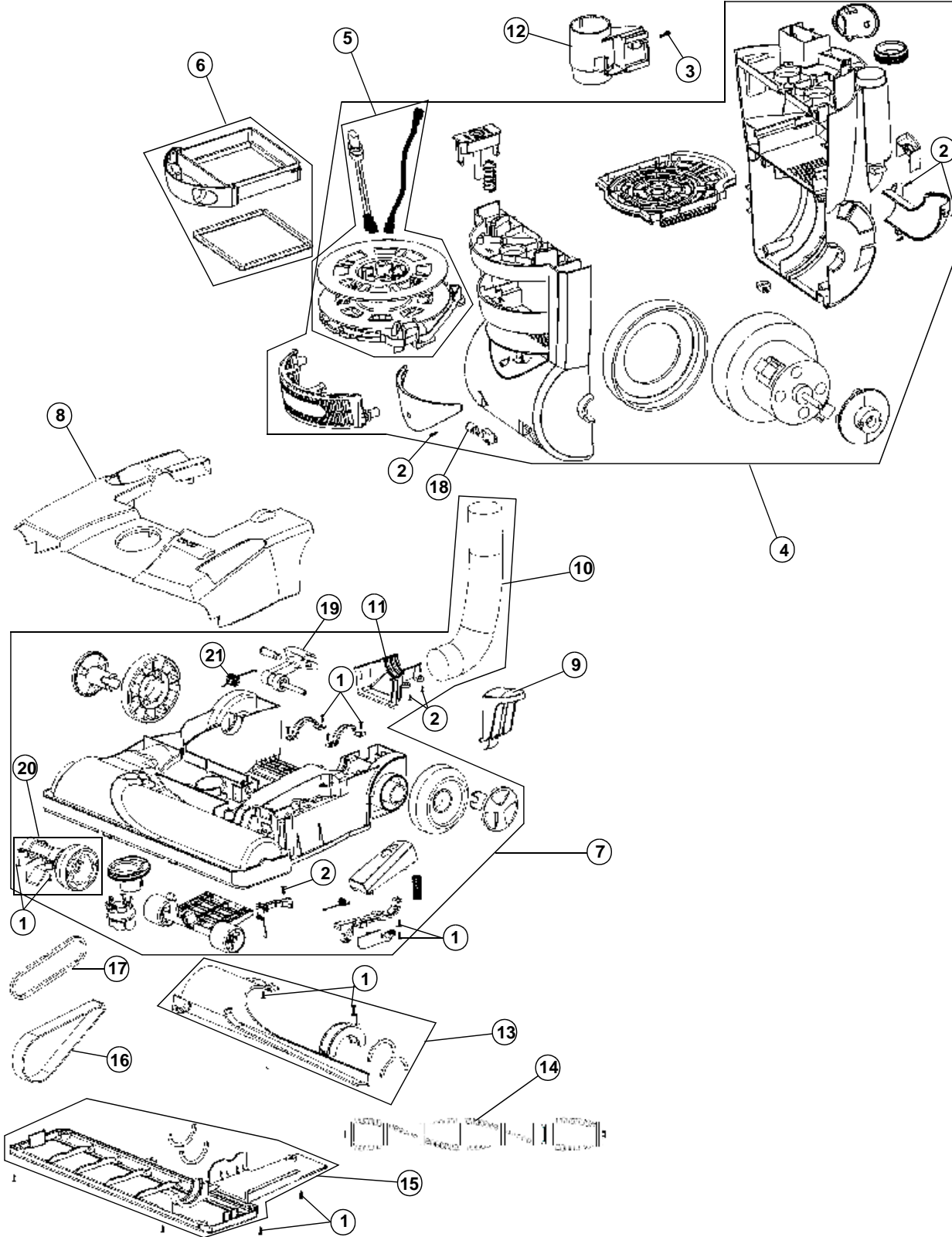
MODEL No.

U5780-900
U5781-900
UH70035
UH70085



28

ASSEMBLY SCHEMATIC



MODEL No.

- U5780-900
- U5781-900
- UH70035
- UH70085



PART LISTING / PRICE LIST

MODEL No.

U5780-900
U5781-900
UH70035
UH70085

ITEM	PART NUMBER	MODELS TO FIT	PART DESCRIPTION	LIST COST
1	93001840	ALL	BODY SCREW 4.2 x 16	.53
2	18381522	ALL	SCREW 3.5 x 12	N.L.A.
3	18147152	ALL	SCREW 4.2 x 25 - LOWER HOSE HOLDER	.05
4	21040104	U5780900, U5781900, UH70085	MOTOR AND HOUSING ASSEMBLY WITH CORD REEL	122.47
		UH70035	MOTOR AND HOUSING ASSEMBLY WITH CORD REEL	122.47
5	93002478	ALL	CORD REEL ASSEMBLY	69.71
6	21041096	ALL	EXHAUST HEPA FILTER	9.36
	93002360	ALL	EXHAUST HEPA FILTER - SUB	9.36
7	21151010	U5780900, U5781900	NOZZLE BASE ASSEMBLY MGF PRIOR TO 9/2007	58.97
	21151009	ALL	NOZZLE BASE ASSEMBLY - REVISED MFG 9/2007 AND NEWER	56.62
8	10134227	U5780900, U5781900, UH70085	NOZZLE HOOD COVER - SATIN RED METALLIC	7.11
		UH70035	NOZZLE HOOD COVER - SILVER METALLIC	7.11
9	SEE NOTES	U5780900, U5781900	HANDLE RELEASE PEDAL - BLACK	N.A.
	11041024	ALL	HANDLE RELEASE PEDAL - REVISED BLACK	.75
10	13102101	ALL	LOWER HOSE	1.82
11	11041029	ALL	LOWER HOSE COVER	.54
12	11041030	ALL	LOWER HOSE HOLDER	1.37
13	11137020	ALL	BRUSH ROLL DUCT	4.84
14	59156548	ALL	BRUSH ROLL ASSEMBLY	17.40
15	21041028	ALL	NOZZLE GUARD ASSEMBLY	3.78
16	11041084	ALL	FLAT BELT	2.10
	38528035	ALL	FLAT BELT - SUB	1.39 NON DISC
17	40201200	ALL	V-BELT	1.50 NON DISC
18	27313107	ALL	LIGHT BULB	3.09
19	93005300	ALL	IDLER ARM ASSEMBLY	4.45
20	93005400	ALL	PULLEY ASSEMBLY	10.80
21	93002447	ALL	SPRING - IDLER ASSEMBLY	.45

**IF YOU HAVE A MODEL U5780-900 THAT WAS MFG PRIOR TO 9/2007 AND YOU NEED TO REPLACE THE HANDLE RELEASE PEDAL, YOU NEED TO ORDER THE FOLLOWING:

21151009 - FOOT / NOZZLE BASE ASSEMBLY

11041024 - HANDLE RELEASE PEDAL

THIS WILL UPDATE THE UNIT TO REFLECT A REVISION / NEW DESIGN OF THE HANDLE RELEASE PEDAL. THE NEW DESIGN HANDLE RELEASE PEDAL WILL NOT WORK IN AN EARLY DESIGN FOOT NOZZLE BASE.

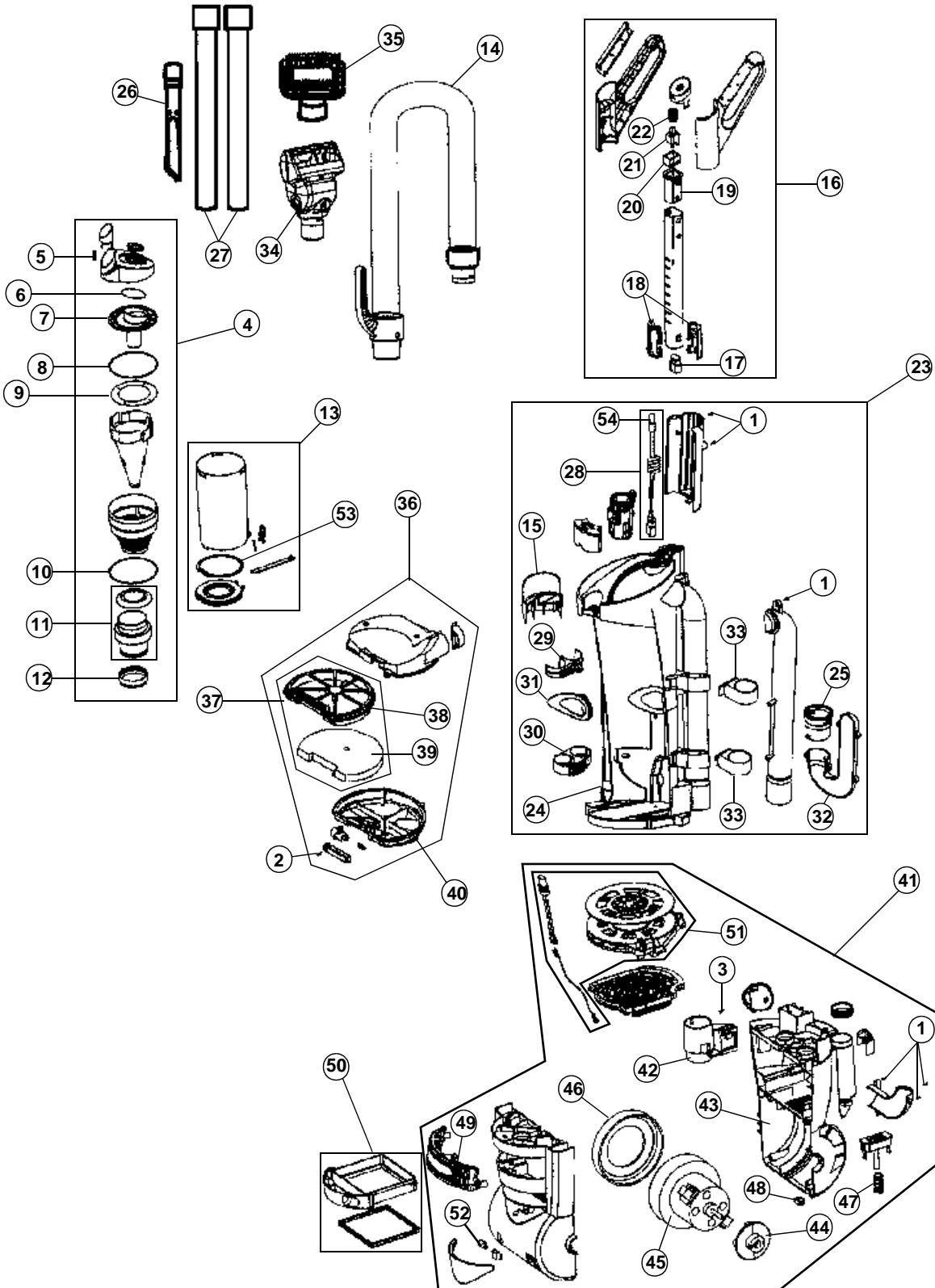


MACH⁵ MACH⁶

cyclonic TurboPOWER MULTI-CHAMBER CLEANING SYSTEM

28

ASSEMBLY SCHEMATIC



MODEL NO.

U5194-900
 U5198-900
 U5199-900
 UH70040



MACH⁵

MACH⁶

cyclonic
TurboPOWER
MULTI-CHAMBER CLEANING SYSTEM

28

PART LISTING / PRICE LIST

ITEM	PART NUMBER	MODELS TO FIT	PART DESCRIPTION	LIST COST
1	93001840	ALL	BODY SCREW 4.2 X 16	.53
2	18381522	ALL	SCREW 3.5 X 12	N.L.A.
3	18147152	ALL	SCREW 4.2 X 25 - LOWER HOSE HOLDER	.05
4	93005000	U5194900	DIRT CUP LID ASSEMBLY - SILVER / ORANGE	41.70
		U5198900	DIRT CUP LID ASSEMBLY - SILVER / GREEN	N.A.
		U5199900	DIRT CUP LID ASSEMBLY - SILVER / LACQUER RED	N.A.
		UH70040	DIRT CUP LID ASSEMBLY - SILVER METALLIC	N.A.
5	93001656	ALL	DIRT CUP RELEASE SPRING	.85
6	93001649	ALL	SEAL - DIRT CUP LID	1.12
7	93001650	ALL	CYCLONE DUCT	2.26
8	93001651	ALL	SEAL - CYCLONE DUCT	.85
9	93001652	ALL	SEAL - CYCLONE DUCT	.85
10	93001637	ALL	SEAL - CYCLONE FILTER	1.02
11	93002515	ALL	DUST CHAMBER ASSEMBLY W/SHROUD	6.79
12	93001644	ALL	SEAL - DUST CHAMBER	2.26
13	93005100	U5194900	DIRT CUP ASSEMBLY - SILVER / ORANGE	35.61
		U5198900	DIRT CUP ASSEMBLY - SILVER / GREEN	N.A.
		U5198900	DIRT CUP ASSEMBLY - SILVER / LACQUER RED	N.A.
		UH70040	DIRT CUP ASSEMBLY - SILVER METALLIC	N.A.
14	93002514	ALL	HOSE ASSEMBLY	13.07
	93002362	ALL	BONUS HOSE - OPTIONAL	13.03
15	93002513	ALL	UPPER HOSE HOLDER	.73
16	93005200	ALL	HANDLE ASSEMBLY	21.78
17	93001700	ALL	MALE PLUG CONNECTOR	2.26
18	93001701	ALL	HOLDING PLATE - MALE PLUG CONNECTOR	.85
19	93001702	ALL	SWITCH SLEEVE	.85
20	93001703	ALL	SWITCH HOLDER	.85
21	93001705	ALL	SWITCH	5.66
22	93001706	ALL	SWITCH SPRING	.85
23	93005700	ALL	MAIN BODY ASSEMBLY	67.66
24	93002488	ALL	MAIN BODY HOUSING - ONLY	20.41
25	11041044	ALL	AIR DUCT ADAPTOR	.38
26	15804217	ALL	CREVICE TOOL	.98
27	12640720	ALL	EXTENSION WAND	2.80

MODEL No.

U5194-900
U5198-900
U5199-900
UH70040



MACH⁵

MACH⁶

cyclonic
TurboPOWER
MULTI-CHAMBER CLEANING SYSTEM

28

PART LISTING / PRICE LIST

MODEL No.

ITEM	PART NUMBER	MODELS To FIT	PART DESCRIPTION	LIST COST
28	26401317	ALL	WIRING CONNECTOR ASSEMBLY	6.72
29	11041053	ALL	UPPER WAND HOLDER	.23
30	11041052	ALL	LOWER WAND HOLDER	.45
31	11041105	ALL	AIR INLET SEAL - DIRT CUP	4.08
32	93002492	ALL	AIR DUCT COVER	2.27
33	11041065	ALL	TOOL HOLDER	.68
34	49129032	ALL	TURBINE HAND TOOL	14.62
35	15810030	ALL	FURNITURE BRUSH	.23
36	93005800	ALL	UPPER FILTER HOUSING, BOTTOM COVER, W/SECONDARY FILTER ASSY - SERVICE ASSEMBLY -	14.51
37	40110012	ALL	SECONDARY FILTER WITH FOAM FILTER	9.45
38	93002517	ALL	SECONDARY FILTER ASSEMBLY - ORDER #37 / 40110012	N.L.A.
39	93002518	ALL	SECONDARY FOAM FILTER	3.73
40	93002499	ALL	BOTTOM COVER - SECONDARY FILTER	1.82
41	93005600	ALL	MOTOR HOUSING ASSEMBLY	158.71
42	93002473	ALL	LOWER HOSE HOLDER	1.82
43	93002474	ALL	REAR MOTOR HOUSING	15.96
44	93001677	ALL	REAR MOTOR PLATE	1.12
45	93001678	ALL	MOTOR ASSEMBLY	48.18
46	93001679	ALL	MOTOR SEAL	3.39
47	93002480	ALL	SPRING - CORD REEL PEDAL	.17
48	93002482	ALL	SEAL - MOTOR WIRE	.05
49	93002484	U5194900	CORD REEL COVER - NEURON ORANGE	1.13
		U5198900	CORD REEL COVER - HYPER GREEN	N.A.
		U5199900	CORD REEL COVER - CHERRY RED	N.A.
		UH70040	CORD REEL COVER - CHERRY RED	N.A.
50	93002360	ALL	HEPA EXHAUST FILTER ASSEMBLY	9.36
51	93002478	ALL	CORD REEL ASSEMBLY	69.71
52	27313107	ALL	LIGHT BULB	3.09
53	93002437	ALL	GASKET - DIRT CUP DOOR	2.45
54	93001717	ALL	FEMALE CONNECTOR	4.53

U5194-900
U5198-900
U5199-900
UH70040



MACH⁵ MACH⁶

cyclonic
TurboPOWER
MULTI-CHAMBER CLEANING SYSTEM

28

ASSEMBLY SCHEMATIC

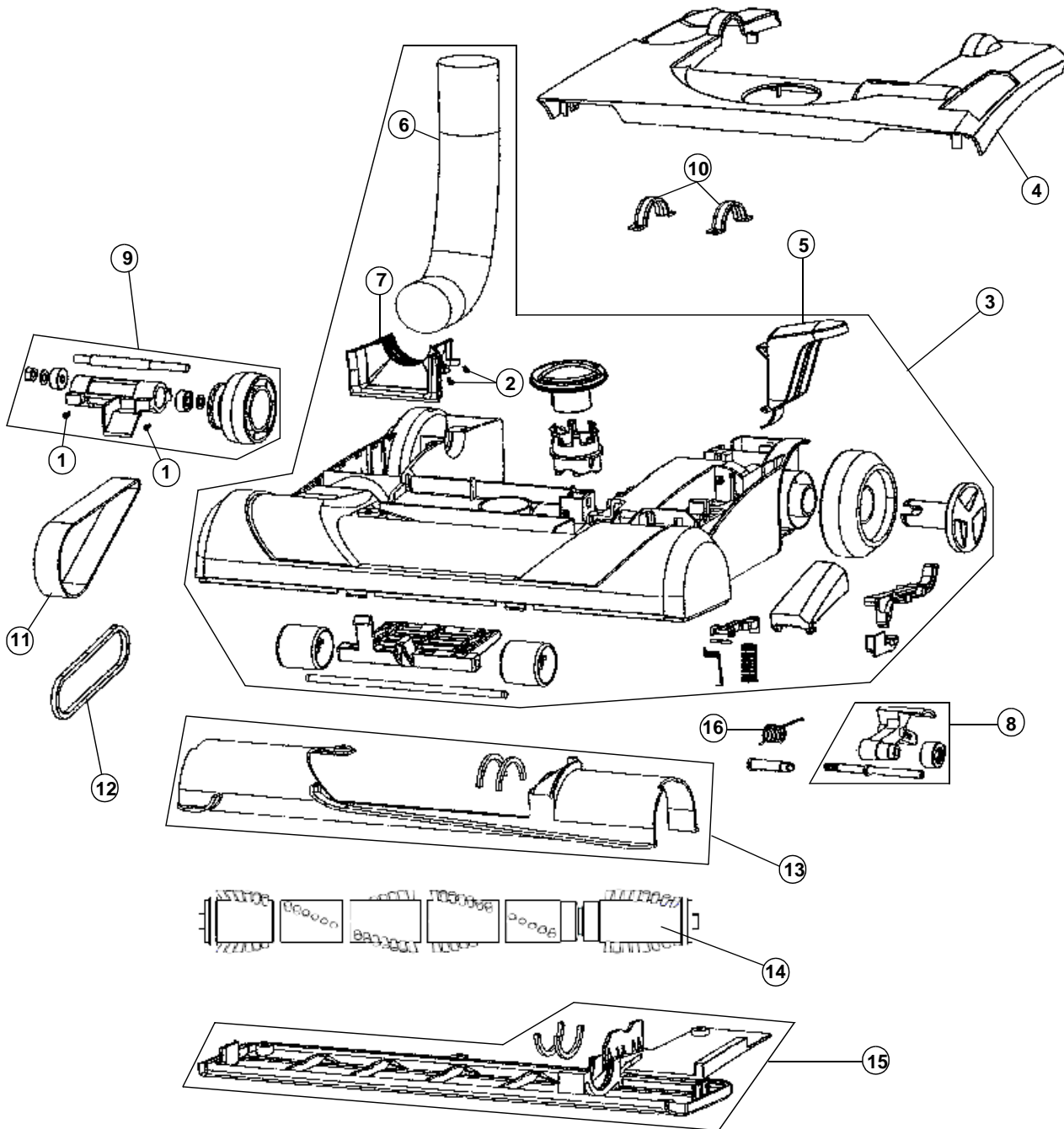
MODEL No.

U5194-900

U5198-900

U5199-900

UH70040





MACH⁵

MACH⁶

cyclonic
TurboPOWER
MULTI-CHAMBER CLEANING SYSTEM

28

PART LISTING / PRICE LIST

MODEL No.

ITEM	PART NUMBER	MODELS TO FIT	PART DESCRIPTION	LIST COST
1	93001840	ALL	BODY SCREW 4.2 x 16	.53
2	18381522	ALL	SCREW 3.5 x 12	N.L.A.
3	SEE NOTES	U5194900	FOOT / NOZZLE BASE ASSEMBLY MFG PRIOR TO 09/2007	N.A.
	93005500	ALL	FOOT / NOZZLE BASE ASSEMBLY - REVISED MFG 09/2007 AND NEWER	70.55
4	93002467	ALL	HOOD / NOZZLE COVER	6.79
5	SEE NOTES	U5194900, U5198900	HANDLE RELEASE PEDAL MFG PRIOR TO 09/2007	N.A.
	93002462	ALL	HANDLE RELEASE PEDAL - REVISED ORANGE MFG 09/2007 AND NEWER	.90
6	13102101	ALL	LOWER HOSE	1.82
7	11041029	ALL	LOWER HOSE SUPPORT	.54
8	93005300	ALL	IDLER ARM ASSEMBLY	4.45
9	93005400	ALL	PULLEY ASSEMBLY	10.80
10	93001663	ALL	TRUNION / PIVOT CLAMP	.85
11	38528035	ALL	FLAT - BELT	1.39 NON DISC
12	38528034	ALL	V - BELT	1.50 NON DISC
13	93002516	ALL	BRUSH ROLL HOUSING	5.37
14	59156548	ALL	BRUSH ROLL ASSEMBLY	17.40
15	93002468	ALL	BOTTOM PLATE / NOZZLE GUARD	4.00
16	93002447	ALL	SPRING - IDLER ASSEMBLY	.45

U5194-900
U5198-900
U5199-900
UH70040

**IF YOU HAVE A MODEL U5194-900 THAT WAS MFG PRIOR TO 9/2007 AND YOU NEED TO REPLACE THE HANDLE RELEASE PEDAL, YOU NEED TO ORDER THE FOLLOWING:

93005500 - FOOT / NOZZLE BASE ASSEMBLY (INCLUDES HANDLE RELEASE PEDAL)

THIS WILL UPDATE THE UNIT TO REFLECT A REVISION / NEW DESIGN OF THE HANDLE RELEASE PEDAL. THE NEW DESIGN HANDLE RELEASE PEDAL WILL NOT WORK IN AN EARLY DESIGN FOOT NOZZLE BASE.



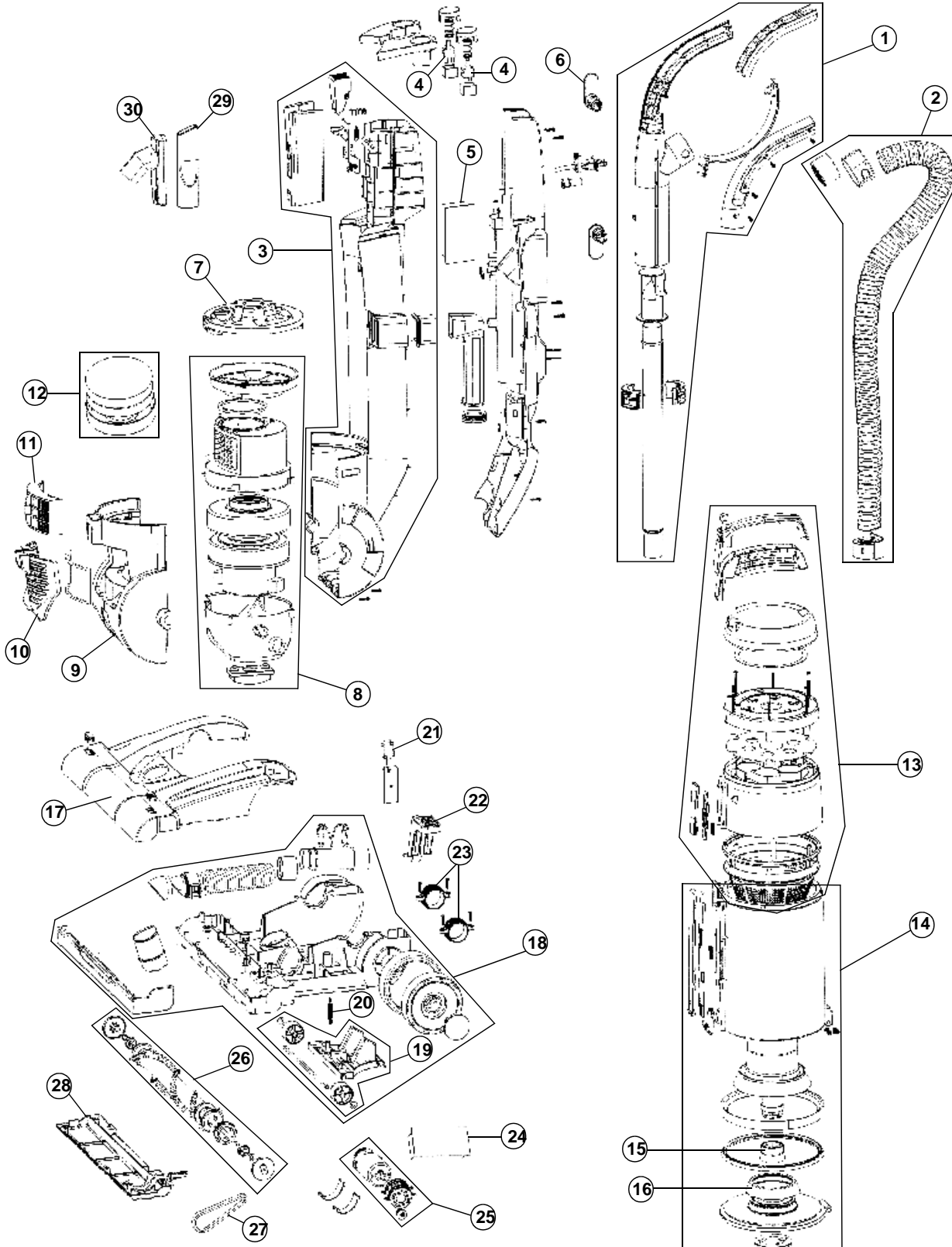
WHISPER

Cyclonic

Filtration System

28

ASSEMBLY SCHEMATIC



MODEL No.
U5184-900



PART LISTING / PRICE LIST

MODEL No.

U5184-900

Item	Part Number	Models To Fit	Part Description	List Cost
1	59156518	U5184-900	HANDLE ASSEMBLY	26.88
2	59156520	U5184-900	HOSE ASSEMBLY	22.40
3	59156527	U5184-900	MAIN HOUSING	49.56
4	59156526	U5184-900	SWITCH	3.85
5	59156533	U5184-900	UPPER PCB ASSEMBLY WITH WIRING	27.07
6	59156512	U5184-900	CORD HOOK	.27
7	59156519	U5184-900	INLET FILTER COVER	4.73
8	59156521	U5184-900	MOTOR ASSEMBLY	70.77
9	59156528	U5184-900	MOTOR COVER	11.53
10	59156511	U5184-900	EXHAUST FILTER COVER	8.20
11	59156501	U5184-900	EXHAUST HEPA FILTER	3.92
12	59156506	U5184-900	INLET FILTER ASSEMBLY	4.62
13	59156522	U5184-900	DIRT CUP LID AND CONE ASSEMBLY	37.59
14	59156514	U5184-900	DIRT CUP ASSEMBLY	34.02
15	59156515	U5184-900	DIRT CUP SEAL	.88
16	59156516	U5184-900	DIRT CUP GASKET	.88
17	59156513	U5184-900	HOOD / NOZZLE COVER ASSEMBLY	15.89
18	59156529	U5184-900	MAIN BODY / NOZZLE ASSEMBLY WITH LOWER HOSE	37.60
19	59156531	U5184-900	FRONT WHEEL / HEIGHT ADJUSTMENT	5.60
20	59156532	U5184-900	SPRING - FRONT WHEEL / HEIGHT ADJUSTMENT	.20
21	59156530	U5184-900	MICRO SWITCH	5.32
22	59156525	U5184-900	HANDLE RELEASE PEDAL	1.07
23	59156517	U5184-900	TRUNNION RING / PIVOT RING	1.13
24	59156523	U5184-900	PCB ASSEMBLY - BRUSH ROLL	25.55
25	59156524	U5184-900	MOTOR ASSEMBLY - BRUSH ROLL	69.98
26	59156508	U5184-900	BRUSH ROLL / AGITATOR	19.79
27	59156500	U5184-900	BELT	1.19
28	59156510	U5184-900	BOTTOM PLATE / NOZZLE GUARD	1.53
29	59156507	U5184-900	CREVICE TOOL	.88
30	59156509	U5184-900	UPHOLSTERY TOOL / DUSTING BRUSH	5.60



Nano-Lite™

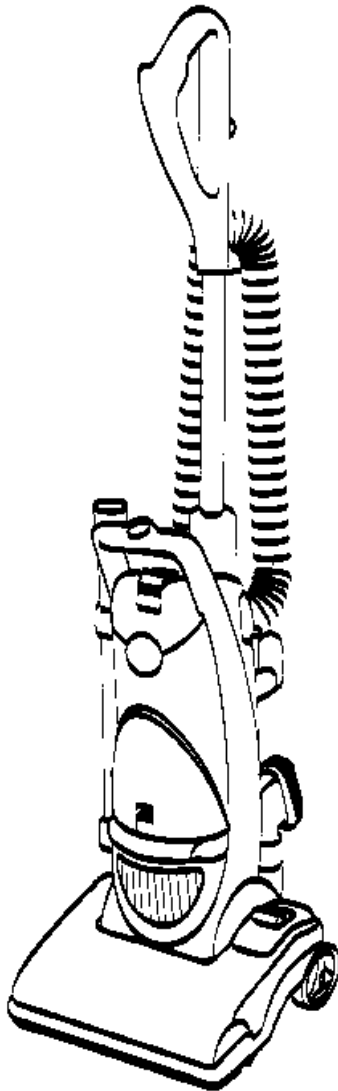
29

SECTION CONTENTS

<u>MODEL NO.</u>	<u>PAGE NO.</u>
U2440-900	29-2 THRU 29-3

[MODEL NO.](#)

U2440-900



* PRICING, SPECIFICATION'S, AND PRODUCT AVAILABILITY ARE SUBJECT TO CHANGE WITHOUT NOTICE. PRICING IS FOB FACTORY, CANTON, OH

* ALL INFORMATION CONTAINED WITHIN THIS SERVICE MANUAL IS PROPRIETARY INFORMATION OF TTI FLOOR CARE NORTH AMERICA.

* **WARNING:** TO REDUCE THE RISK OF ELECTRICAL SHOCK OR INJURY, ALWAYS DISCONNECT THE APPLIANCE CORD FROM THE ELECTRICAL OUTLET OR REMOVE BATTERY PRIOR TO SERVICING THE UNIT.



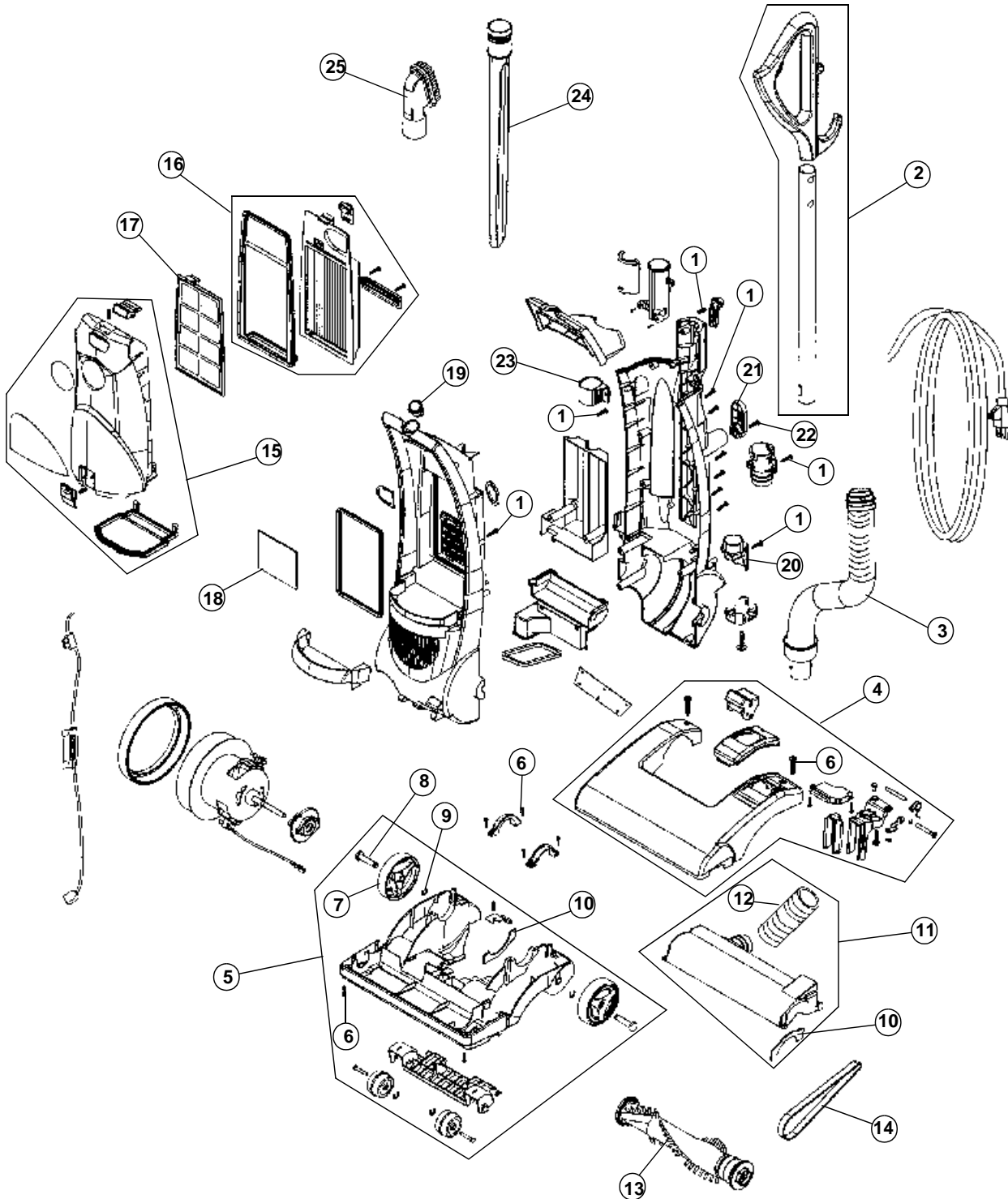
Nano-Lite™

29

ASSEMBLY SCHEMATIC

MODEL NO.

U2440-900





Nano-Lite™

29

PART LISTING / PRICE LIST

MODEL No.

U2440-900

ITEM	PART NUMBER	MODELS TO FIT	PART DESCRIPTION	LIST COST
1	83311340	U2440-900	SCREW - BODY M4 / 16	.12
2	28500010	U2440-900	UPPER HANDLE ASSEMBLY	16.41
3	21200040	U2440-900	UPPER HOSE ASSEMBLY	13.51
4	22010320	U2440-900	NOZZLE COVER ASSEMBLY	14.14
5	22350280	U2440-900	NOZZLE BASE ASSEMBLY	30.53
6	83311350	U2440-900	SCREW - NOZZLE BASE M4 / 20	.12
7	12300080	U2440-900	REAR WHEEL ASSEMBLY	.83
8	12070140	U2440-900	REAR WHEEL AXLE	.68
9	14110010	U2440-900	REAR WHEEL E-RING	.15
10	13510020	U2440-900	NOZZLE COVER FELT	.54
11	22010330	U2440-900	BRUSH ROLL HOUSING ASSEMBLY	7.79
12	11010130	U2440-900	LOWER HOSE	1.82
13	13100190	U2440-900	BRUSH ROLL ASSEMBLY	24.66
14	12080030	U2440-900	BELT	3.99
15	24510240	U2440-900	DIRT CUP ASSEMBLY	24.05
16	40110013	U2440-900	FILTER ASSEMBLY	12.18
17	14800100	U2440-900	PRE FILTER SCREEN ASSEMBLY	1.70
18	12471000	U2440-900	AIR INLET FILTER	.21
19	14100400	U2440-900	SWITCH	2.27
20	18010880	U2440-900	LOWER CORD HOOK	.60
21	18010070	U2440-900	UPPER CORD HOOK	.45
22	83311330	U2440-900	SCREW - UPPER CORD HOOK M4 / 14	.12
23	11580130	U2440-900	CREVICE TOOL HOLDER	.45
24	81110070	U2440-900	CREVICE TOOL	2.87
25	81300060	U2440-900	DUSTING BRUSH ASSEMBLY	3.32



Nano-Lite™

29

NOTES

MODEL NO.

U2440-900



CLEAN AND LIGHT

Signature

lightweight

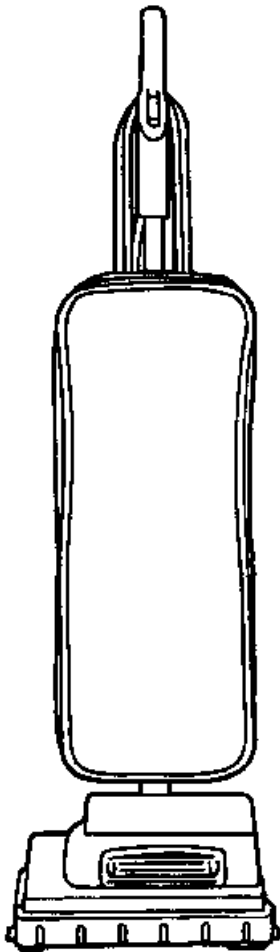
30

SECTION CONTENTS

<u>MODEL No.</u>	<u>PAGE No.</u>
U4707	8-2 THRU 8-4
U4730	8-2 THRU 8-4

MODEL No.

U4707
U4730



* PRICING, SPECIFICATION'S, AND PRODUCT AVAILABILITY ARE SUBJECT TO CHANGE WITHOUT NOTICE. PRICING IS FOB FACTORY, CANTON, OH

* ALL INFORMATION CONTAINED WITHIN THIS SERVICE MANUAL IS PROPRIETARY INFORMATION OF TTI FLOOR CARE NORTH AMERICA.

* **WARNING:** TO REDUCE THE RISK OF ELECTRICAL SHOCK OR INJURY, ALWAYS DISCONNECT THE APPLIANCE CORD FROM THE ELECTRICAL OUTLET OR REMOVE BATTERY PRIOR TO SERVICING THE UNIT.



CLEAN AND LIGHT

Signature

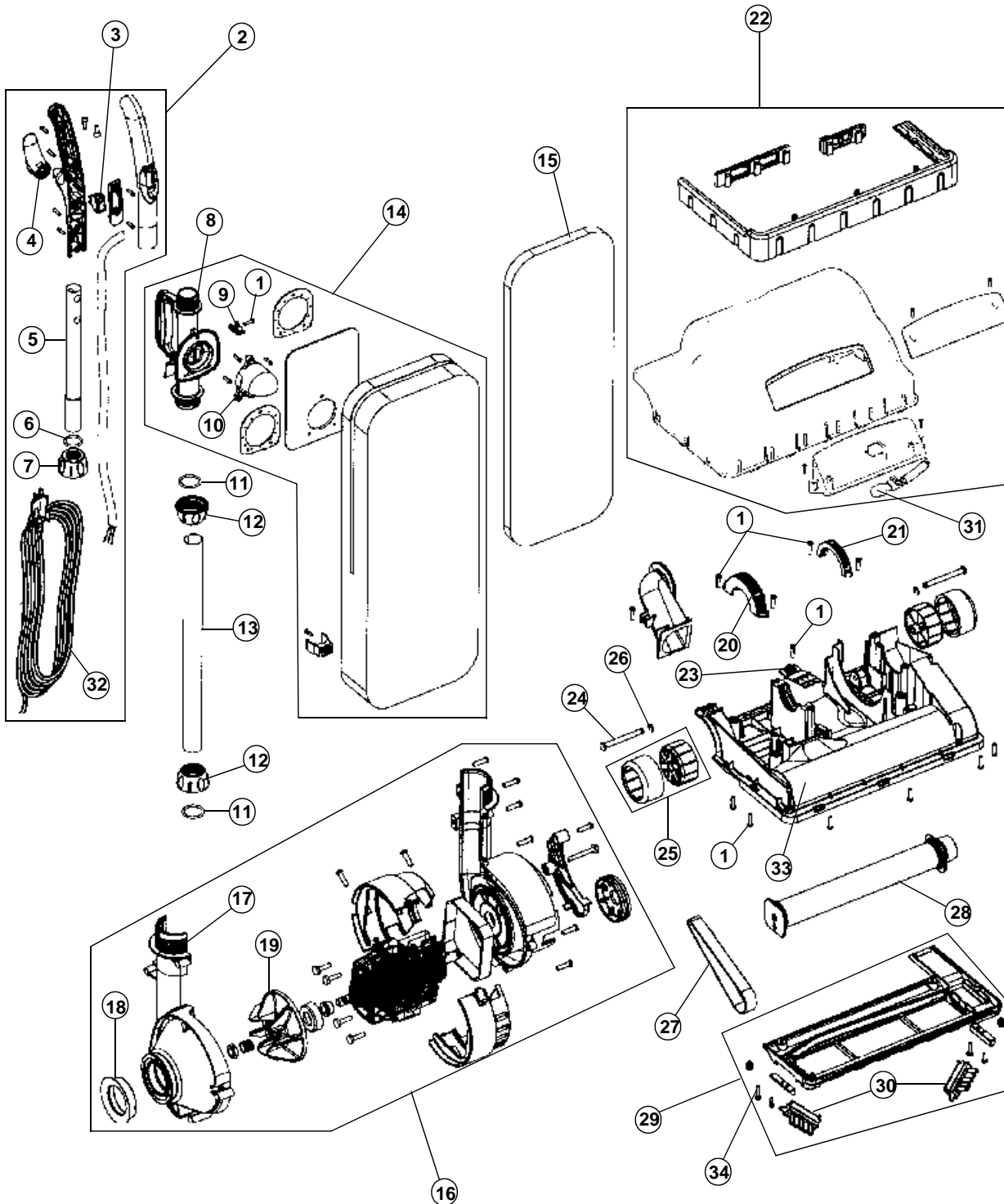
lightweight

30

ASSEMBLY SCHEMATIC

MODEL No.

U4707
U4730





CLEAN AND LIGHT

Signature

lightweight

30

PART LISTING / PRICE LIST

MODEL No.

U4707
U4730

ITEM	PART NUMBER	MODELS TO FIT	PART DESCRIPTION	LIST COST
1	1503819000	U4707, U4730	BODY SCREW	.08
2	001249004	U4707, U4730	UPPER HANDLE ASSEMBLY - BLACK 3 POSITION SWITCH - HIGH/LOW	51.27
3	760624001	U4707, U4730	SWITCH - 3 POSITION SWITCH - HIGH/LOW	2.63
4	1JR0012000	U4707, U4730	CORD HOOK	.45
5	1JR0018000	U4707, U4730	UPPER HANDLE TUBE	6.57
6	1JR0027000	U4707, U4730	HANDLE O-RING GASKET - SMALL ROUND	1.04
7	1JR0026000	U4707, U4730	UPPER HANDLE COLLAR	1.26
8	1JR0028000	U4707, U4730	CARRYING HANDLE TUBE GRIP	11.22
9	1JR0029000	U4707, U4730	CORD CLIP	1.04
10	1JR0035000	U4707, U4730	DIRT INLET	1.04
11	1RYV650000	U4707, U4730	HANDLE O-RING GASKET - V SHAPE	.41
12	1JR0025000	U4707, U4730	LOWER HANDLE COLLAR	1.07
13	1JR0023000	U4707, U4730	LOWER HANDLE TUBE	6.50
14	93004750	U4707	HEPA CLOTH BAG ASSEMBLY - BURGANDY	112.98
	001250012	U4730	HEPA CLOTH BAG ASSEMBLY - BLACK	73.73
15	4010102B	U4707, U4730	TYPE B BAG - ALLERGEN	.42 NON DISC
	4010103B	U4707, U4730	TYPE B BAG - 3 PACK / ALLERGEN	3.62 NON DISC
	43655119	U4707, U4730	TYPE B BAG - HEPA	4.59
16	001248011	U4707, U4730	COMPLETE MOTOR ASSEMBLY	87.95
17	1JR0015000	U4707, U4730	MOTOR FAN COVER	10.64
18	1JR0014000	U4707, U4730	FAN COVER SEAL	1.04
19	1JR0013000	U4707, U4730	FAN	5.16
20	1JR0031000	U4707, U4730	LEFT CLAMP	1.04
21	1JR0030000	U4707, U4730	RIGHT CLAMP	1.04
22	001033004	U4707, U4730	NOZZLE COVER WITH BUMPERS - SILVER	33.67
23	1JR0022000	U4707, U4730	HANDLE STOPPER	1.04
24	1JR0021000	U4707, U4730	WHEEL PIN	1.55
25	1JR0019000	U4707, U4730	WHEEL ASSEMBLY	2.50
26	1JR0020000	U4707, U4730	WHEEL E-CLIP	.03
27	40201318	U4707, U4730	STYLE 18 BELT - 2 PACK	1.50 NON DISC
28	2JR0010000	U4707, U4730	BRUSH ROLL ASSEMBLY	23.73
29	1JR0032000	U4707, U4730	NOZZLE GUARD ASSEMBLY	14.02
30	1JR0033000	U4707, U4730	EDGE CLEANER ASSEMBLY	1.04
31	1920906000	U4707, U4730	BULB #906	.77



CLEAN AND LIGHT
Signature
lightweight

30

PART LISTING / PRICE LIST

ITEM	PART NUMBER	MODELS TO FIT	PART DESCRIPTION	LIST COST
32	1LV1101000	U4707, U4730	POWER CORD	16.56
33	513175009	U4707, U4730	NOZZLE BASE	11.87
34	1JV0103000	U4707, U4730	SCREW - NOZZLE GUARD	.65

MODEL No.

U4707

U4730



LiNX™
CORDLESS
HAND VAC

LiNX™
CORDLESS
BATTERY &
CHARGER

LiNX™
CORDLESS
STICK VAC

SECTION CONTENTS

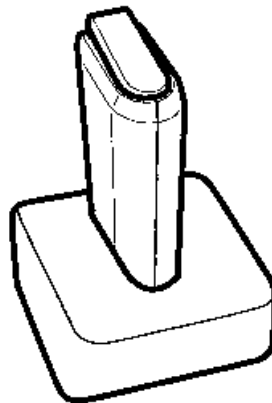
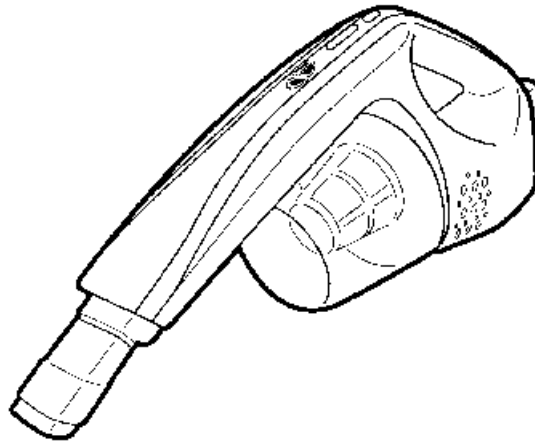
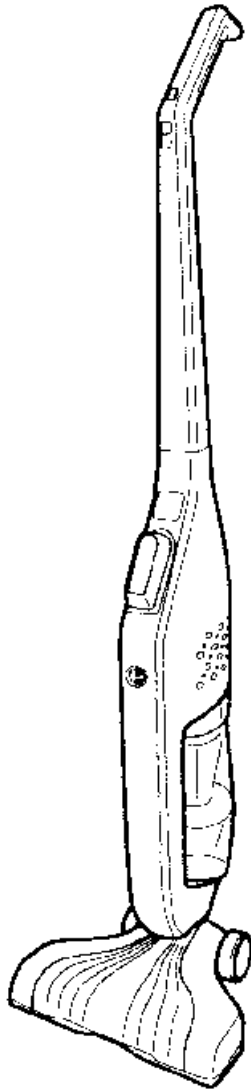
<u>MODEL No.</u>	<u>PAGE No.</u>
BH50010	31-2 THRU 31-3
BH50015	31-4 THRU 31-5
BH50005	31-6

MODEL No.

BH50010
BH50015
BH50005

BH50020COM
COMPLETE SET

BH50025COM
SAM'S CLUB SET



- * PRICING, SPECIFICATION'S, AND PRODUCT AVAILABILITY ARE SUBJECT TO CHANGE WITHOUT NOTICE. PRICING IS FOB FACTORY, CANTON, OH
- * ALL INFORMATION CONTAINED WITHIN THIS SERVICE MANUAL IS PROPRIETARY INFORMATION OF TTI FLOOR CARE NORTH AMERICA.
- * **WARNING:** TO REDUCE THE RISK OF ELECTRICAL SHOCK OR INJURY, ALWAYS DISCONNECT THE APPLIANCE CORD FROM THE ELECTRICAL OUTLET OR REMOVE BATTERY PRIOR TO SERVICING THE UNIT.



PLATINUM
Collection

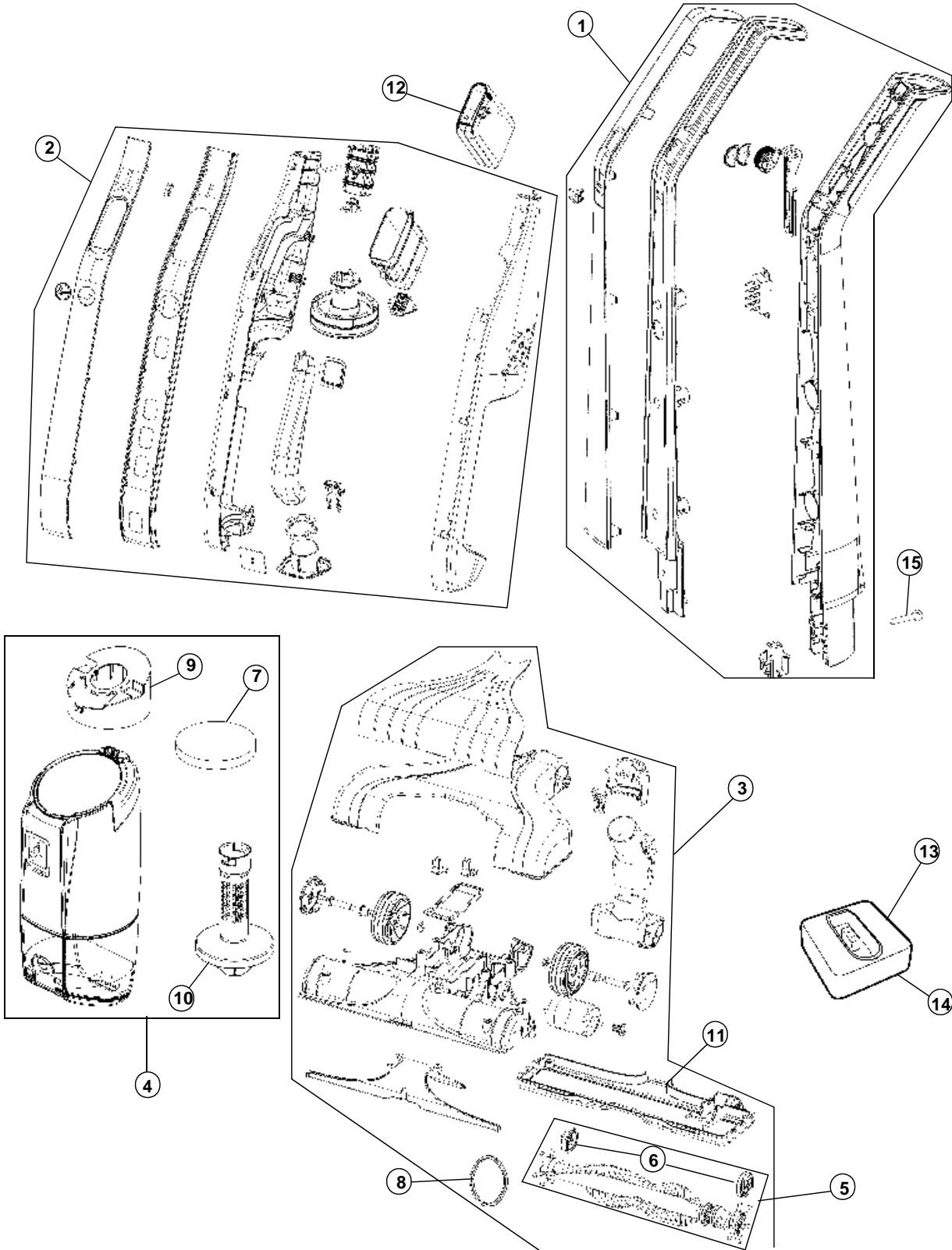
LiNX™
CORDLESS
STICK VAC

31

ASSEMBLY SCHEMATIC

MODEL NO.

BH50010





PLATINUM
Collection

LiNX™
CORDLESS
STICK VAC

31

PART LISTING / PRICE LIST

MODEL No.

BH50010

ITEM	PART NUMBER	MODELS TO FIT	PART DESCRIPTION	LIST COST
1	302720001	BH50010	HANDLE ASSEMBLY	40.62
2	302721001	BH50010	MAIN HOUSING ASSEMBLY	118.01
3	000989001	BH50010	NOZZLE ASSEMBLY - REVISED	67.92
4	302725001	BH50010	DIRT CUP ASSEMBLY	26.44
5	302726001	BH50010	BRUSH ROLL ASSEMBLY - REVISED MFG 12/08	14.02
6	517675001	BH50010	END CAP	.72
7	902185003	BH50010	FOAM FILTER - 2 LAYER	6.67
8	001942002	BH50010	BELT	2.00
9	517657001	BH50010	FILTER CAP	1.33
10	517758001	BH50010	DIRT CUP BAFFLE	2.94
11	002080001	BH50010	NOZZLE GUARD ASSEMBLY WITH BRISTLES - REVISED MFG 12/08	2.94
12	302723001	BH50010	LITHIUM BATTERY PACK	69.99
13	302736001	BH50010	CHARGER ASSEMBLY	45.99
14	562220001	BH50010	RUBBER FOOT - CHARGER	.88
15	661562003	BH50010	HANDLE SCREW	.88
	661358001	BH50010	HANDLE SCREW - REVISED MFG 4/09	.30
	001080011		BOTTOM PLATE SCREW - 7 PACK	PENDING
**	001191011	BH50010	NOZZLE GUARD REPAIR KIT: NOZZLE GUARD ASSEMBLY - NEW VERSION WITH BRISTLES / BRUSH ROLL / BELT	21.53

****There was an issue with hair and debris getting caught up in the brush roll end caps. A revised nozzle guard was manufactured along with a new brush roll design. If there is an issue with the brush roll getting hair or debris binding, the Nozzle Guard Repair Kit should be used under warranty.**



PLATINUM
Collection

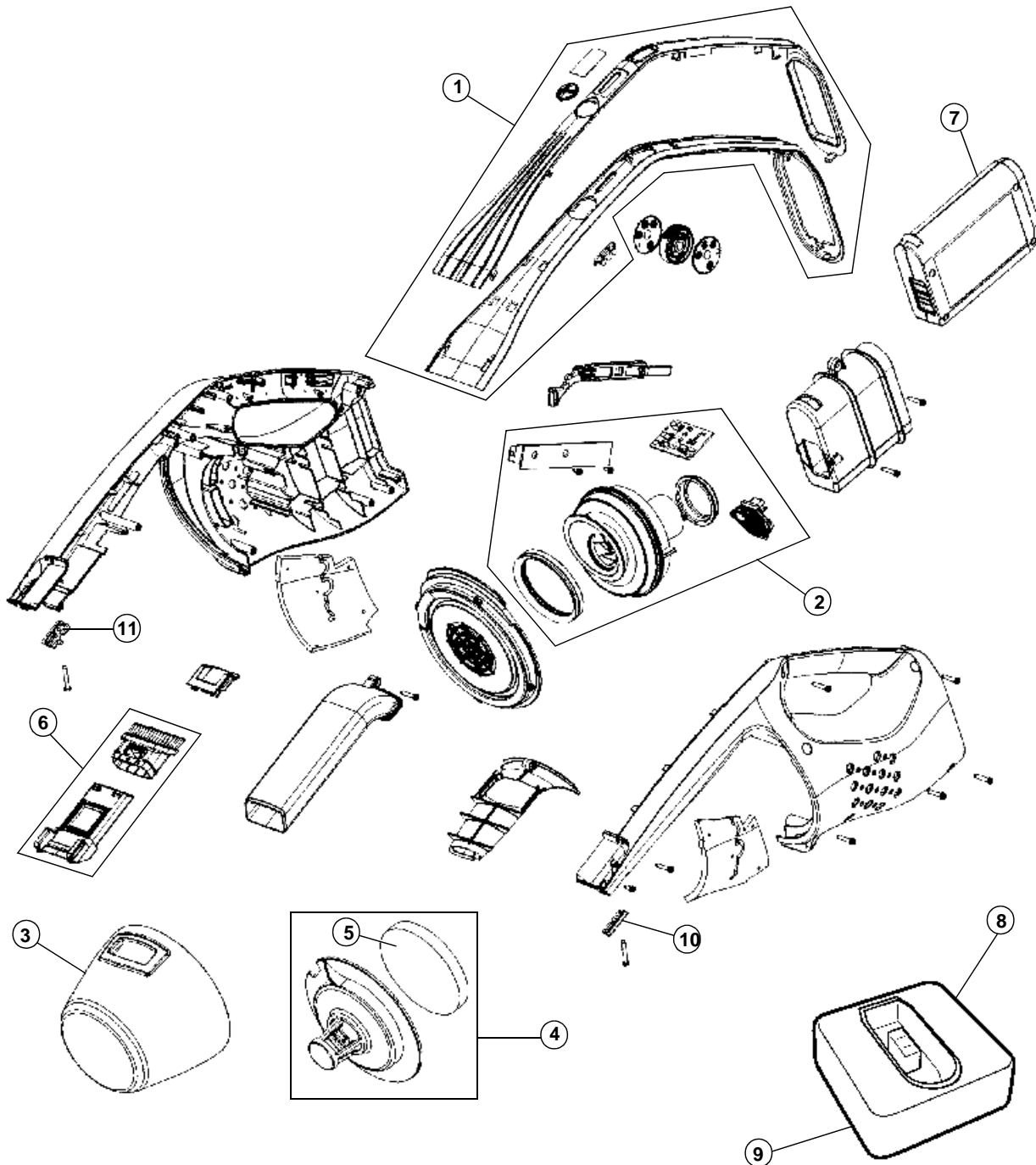
LiNX™
CORDLESS
HAND VAC

31

ASSEMBLY SCHEMATIC

MODEL NO.

BH50015





PLATINUM
Collection

LiNX™
CORDLESS
HAND VAC

31

PART LISTING / PRICE LIST

MODEL No.

BH50015

ITEM	PART NUMBER	MODELS TO FIT	PART DESCRIPTION	LIST COST
1	002044001	BH50015	HANDLE OVERLAY ASSEMBLY	34.02
2	002045001	BH50015	MOTOR AND WIRING ASSEMBLY	34.81
3	001168016	BH50015	DIRT CUP	4.90
4	002043001	BH50015	PRE-FILTER ASSEMBLY INCLUDING FRAME	6.72
5	902185003	BH50015	FOAM FILTER - 2 LAYER	6.67
6	001176010	BH50015	CREVICE TOOL	3.39
7	302723001	BH50015	LITHIUM BATTERY PACK	69.99
8	302736001	BH50015	CHARGER ASSEMBLY	45.99
9	562220001	BH50015	RUBBER FOOT - CHARGER	.88
10	347971001	BH50015	BOTTOM HOUSING CREVICE TOOL - LEFT	1.19
11	347972001	BH50015	BOTTOM HOUSING CREVICE TOOL - RIGHT	1.19



PLATINUM
Collection

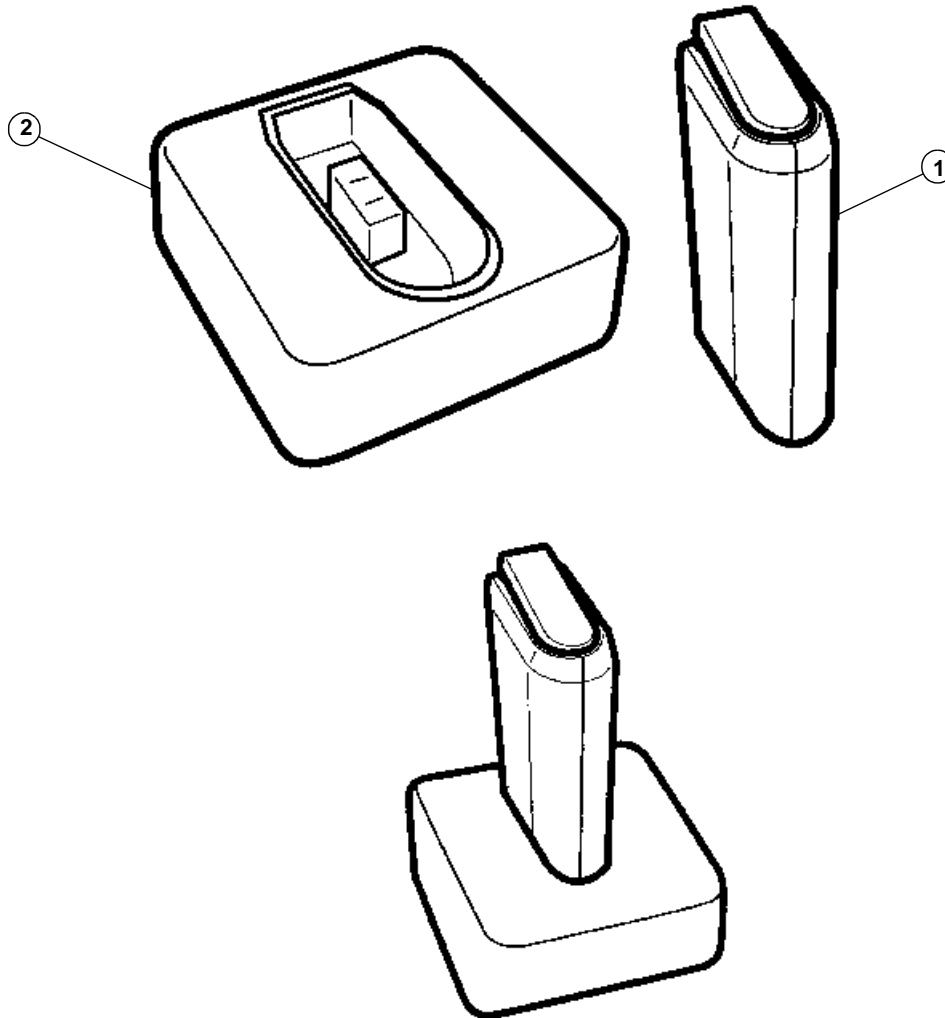
LiNX™
CORDLESS
BATTERY &
CHARGER

31

ASSEMBLY SCHEMATIC

MODEL No.

BH50005



PART LISTING / PRICE LIST

ITEM	PART NUMBER	MODELS TO FIT	PART DESCRIPTION	LIST COST
1	302723001	BH50010, BH50015	LITHIUM BATTERY PACK	69.99
2	302736001	BH50010, BH50015	LITHIUM BATTERY CHARGER	45.99



LIGHTWEIGHT
BAGGED
UPRIGHT

PLATINUM
Collection

BAGGED
CANISTER
VACUUM

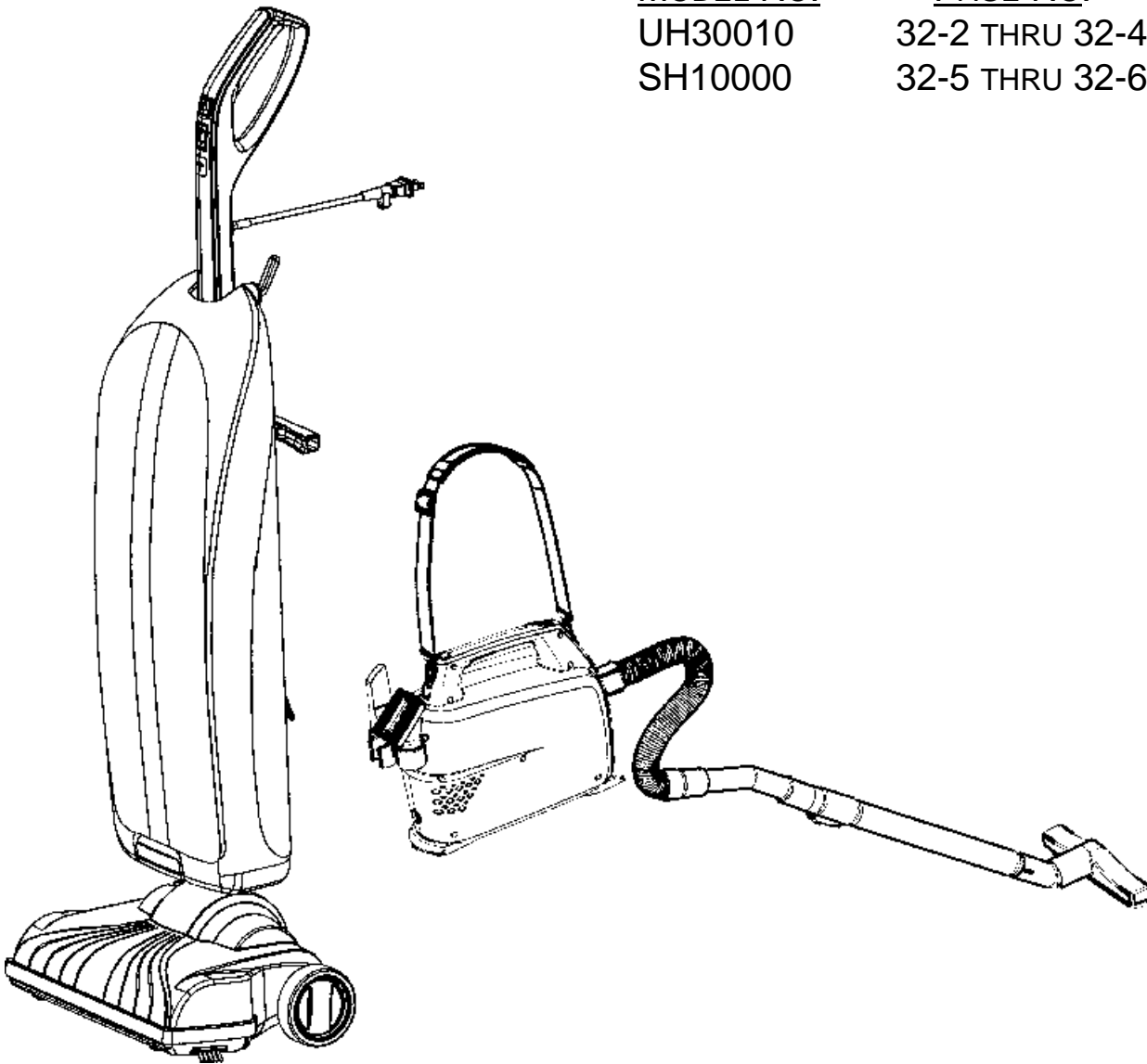
32

SECTION CONTENTS

<u>MODEL No.</u>	<u>PAGE No.</u>
UH30010	32-2 THRU 32-4
SH10000	32-5 THRU 32-6

MODEL No.

UH30010COM
UH30010
SH10000



- * PRICING, SPECIFICATION'S, AND PRODUCT AVAILABILITY ARE SUBJECT TO CHANGE WITHOUT NOTICE. PRICING IS FOB FACTORY, CANTON, OH
- * ALL INFORMATION CONTAINED WITHIN THIS SERVICE MANUAL IS PROPRIETARY INFORMATION OF TTI FLOOR CARE NORTH AMERICA.
- * **WARNING:** TO REDUCE THE RISK OF ELECTRICAL SHOCK OR INJURY, ALWAYS DISCONNECT THE APPLIANCE CORD FROM THE ELECTRICAL OUTLET OR REMOVE BATTERY PRIOR TO SERVICING THE UNIT.



PLATINUM
Collection

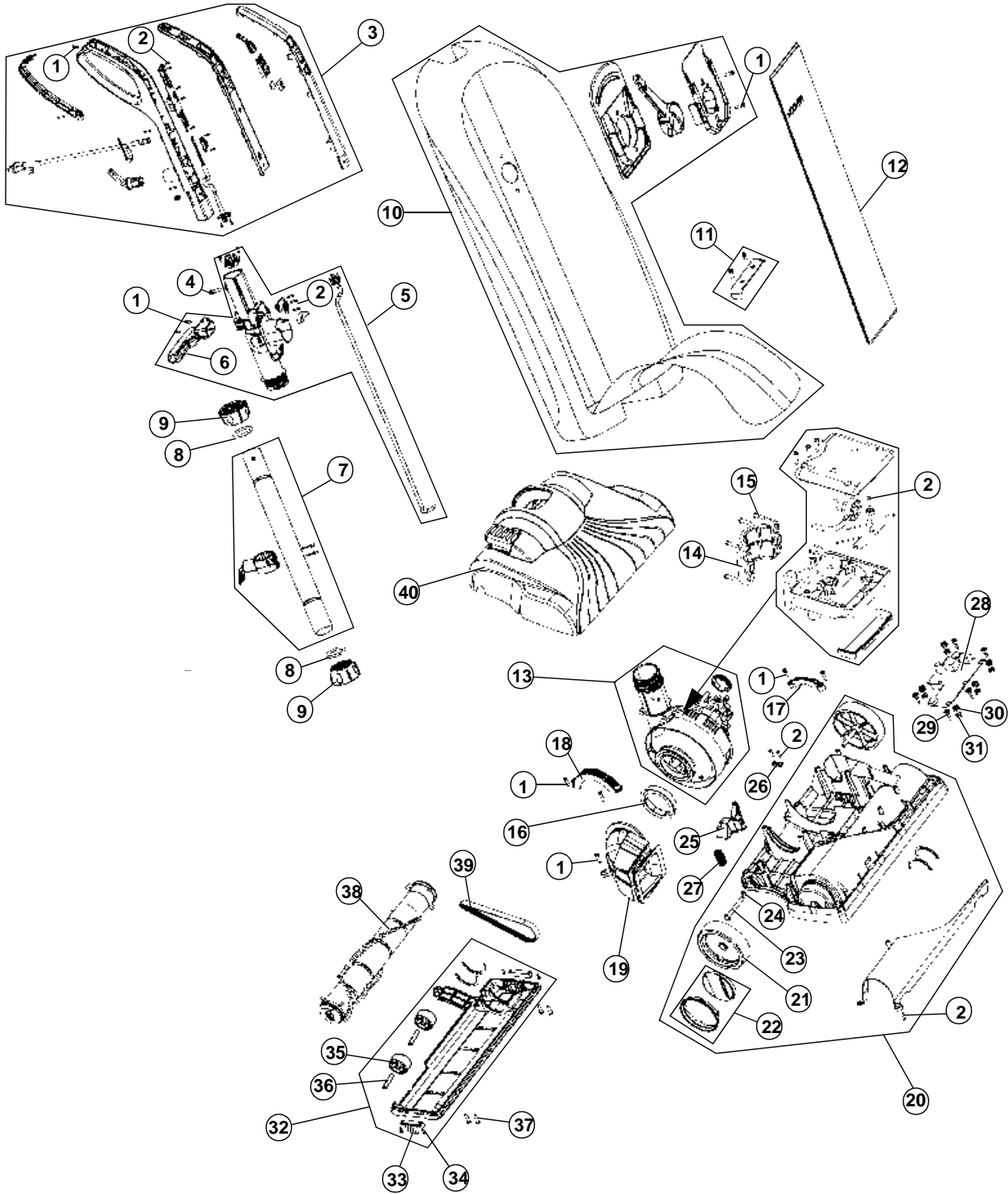
LIGHTWEIGHT
BAGGED
UPRIGHT

32

ASSEMBLY SCHEMATIC

MODEL NO.

UH30010





PLATINUM
Collection

LIGHTWEIGHT
BAGGED
UPRIGHT

32

PART LISTING / PRICE LIST

MODEL No.

UH30010

ITEM	PART NUMBER	MODELS TO FIT	PART DESCRIPTION	LIST COST
1	660294006	UH30010	BODY SCREW - 4 x 16MM	.88
2	660203062	UH30010	SCREW - 3 x 12MM	.88
3	002069001	UH30010	HANDLE ASSEMBLY	118.93
4	660165010	UH30010	HANDLE SCREW - 4 x 18MM	.88
5	002062001	UH30010	UPPER HANDLE TUBE ASSEMBLY	20.16
6	517961001	UH30010	CARRY HANDLE	2.24
7	002063001	UH30010	LOWER HANDLE TUBE ASSEMBLY	12.39
8	562188001	UH30010	SEALING O-RING - LOWER HANDLE TUBE	.88
9	517963001	UH30010	RETAINING COLLAR - LOWER HANDLE TUBE	1.47
10	002058001	UH30010	OUTER CLOTH BAG ASSEMBLY	177.71
11	002059001	UH30010	FIXING PLATE AND SCREW ASSEMBLY - CLOTH BAG ASSEMBLY	.84
12	302982002	UH30010	TYPE Q BAG HEPA - INNER DISPOSABLE BAG	5.46
	AH10000	UH30010	TYPE Q BAG HEPA - INNER DISPOSABLE BAG 2 PK	5.00 NON DISC
	AH10020	UH30010	TYPE Q BAG ALLGN- INNER DISPOSABLE BAG 3 PK	N.A.
13	002070001	UH30010	MOTOR AND HEADLIGHT ASSEMBLY	114.14
14	517947001	UH30010	BRACKET - HEADLIGHT HOUSING	1.19
15	660021002	UH30010	SCREW - 8 x 16MM HEADLIGHT BRACKET	.57
16	517944001	UH30010	MOTOR SEAL	.88
17	517942001	UH30010	MOTOR CLAMP - RIGHT	.88
18	517941001	UH30010	MOTOR CLAMP - LEFT	.88
19	002065001	UH30010	DIRT PASSAGE DUCT ASSEMBLY	5.60
20	002061001	UH30010	NOZZLE BASE ASSEMBLY	70.00
21	002071001	UH30010	REAR WHEEL ASSEMBLY	4.83
22	002064001	UH30010	HUBCAP ASSEMBLY	5.25
23	620859001	UH30010	REAR WHEEL SHAFT	1.61
24	691040002	UH30010	REAR WHEEL E-CLIP	.88
25	517935001	UH30010	HANDLE STOPPER	.88
26	510368001	UH30010	CORD GROMMET	6.67
27	690394001	UH30010	SPRING - HANDLE RELEASE PEDAL	.88
28	280532001	UH30010	MAIN PCB ASSEMBLY	67.34
29	660202016	UH30010	SCREW - PCB	.88
30	561690001	UH30010	SILICON WASHER - PCB	.88
31	691259001	UH30010	WASHER - PCB	PENDING
32	002066001	UH30010	NOZZLE GUARD ASSEMBLY	11.97
33	002067001	UH30010	EDGE CLEANING BRISTLE ASSEMBLY	.56



PLATINUM
Collection

LIGHTWEIGHT
BAGGED
UPRIGHT

32

PART LISTING / PRICE LIST

MODEL No.

UH30010

ITEM	PART NUMBER	MODELS TO FIT	PART DESCRIPTION	LIST COST
34	001080011	UH30010	SCREW - 3 X 10MM EDGE CLEANING ASSEMBLY	PENDING
35	002068001	UH30010	FRONT WHEEL ASSEMBLY	2.24
36	620858001	UH30010	FRONT WHEEL SHAFT	PENDING
37	660212060	UH30010	SCREW - 4 X 16MM NOZZLE GUARD	.88
38	301428009	UH30010	BRUSH ROLL ASSEMBLY	21.32
39	562200001	UH30010	V-BELT	15.68
40	002060001	UH30010	NOZZLE COVER ASSEMBLY	32.97



PLATINUM
Collection

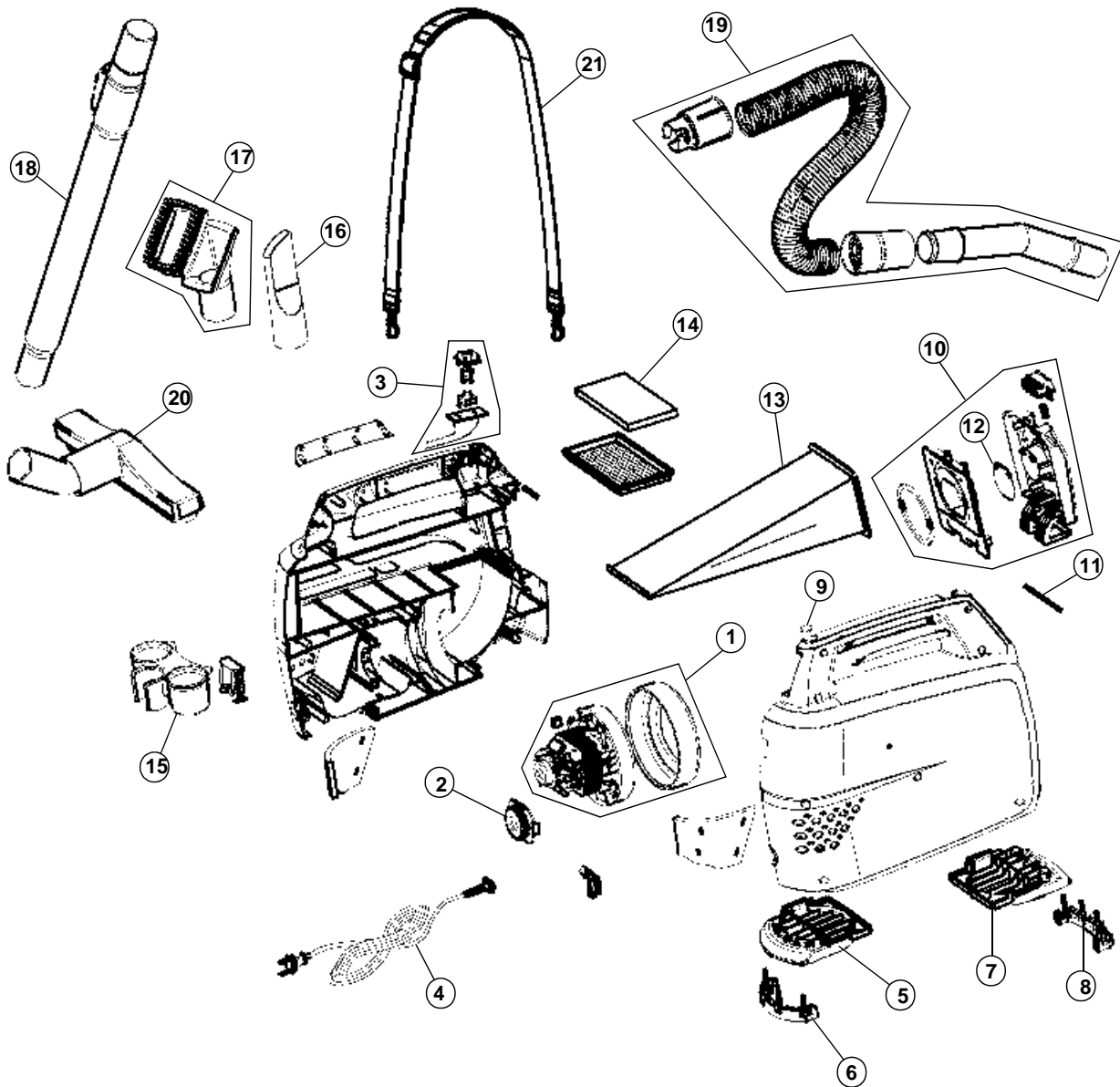
**BAGGED
CANISTER
VACUUM**

32

ASSEMBLY SCHEMATIC

MODEL NO.

SH10000





PLATINUM
Collection

**BAGGED
CANISTER
VACUUM**

32

PART LISTING / PRICE LIST

MODEL NO.

SH10000

ITEM	PART NUMBER	MODELS To FIT	PART DESCRIPTION	LIST COST
1	2HVR101000	SH10000	MOTOR ASSEMBLY	33.88
2	5002850590	SH10000	MOTOR GROMMET	3.96
3	2HVR104000	SH10000	SWITCH ASSEMBLY WITH LEADS	6.01
4	4000150590	SH10000	POWER CORD	20.79
5	1001505911	SH10000	FOOT - FRONT	4.27
6	5000450590	SH10000	RUBBER FOOT - FRONT	1.26
7	1001505920	SH10000	FOOT - REAR	4.16
8	5000450592	SH10000	RUBBER FOOT - REAR	1.26
9	2000850590	SH10000	MEDALLION - HOOVER	3.29
10	2HVR102000	SH10000	BAG DOOR ASSEMBLY	10.58
11	3001250590	SH10000	PIN - BAG DOOR	.33
12	5000150590	SH10000	DIRT FLAP - BAG DOOR	.22
13	985059002	SH10000	TYPE I BAG HEPA	2.19
	AH10005	SH10000	TYPE I BAG HEPA - 2 PK	2.40 NON DISC
	AH10025	SH10000	TYPE I BAG ALLERGEN - 3 PK	N.A.
14	5003850590	SH10000	INLET FOAM FILTER	1.05
15	1004505906	SH10000	TOOL HOLDER	2.03
16	1004505903	SH10000	CREVICE TOOL	2.60
17	1004505901	SH10000	UPHOLSTERY TOOL	4.41
18	2HVR100000	SH10000	TELESCOPING EXTENSION WAND	20.09
19	2HVR103000	SH10000	HOSE ASSEMBLY	18.28
20	2HVR105000	SH10000	NOZZLE FLOOR BRUSH ASSEMBLY	15.05
21	5002650590	SH10000	SHOULDER CARRYING STRAP	4.48
	304077001	SH10000	COMPLETE CANISTER UNIT ONLY NOT INCLUDING ACCESSORIES	-



PLATINUM
Collection

CYCLONIC
BAGLESS
UPRIGHT

33

SECTION CONTENTS

<u>MODEL NO.</u>	<u>PAGE NO.</u>
UH70010	33-2 THRU 33-7
UH70015	33-2 THRU 33-7

MODEL NO.

UH70010
UH70015



- * PRICING, SPECIFICATION'S, AND PRODUCT AVAILABILITY ARE SUBJECT TO CHANGE WITHOUT NOTICE. PRICING IS FOB FACTORY, CANTON, OH
- * ALL INFORMATION CONTAINED WITHIN THIS SERVICE MANUAL IS PROPRIETARY INFORMATION OF TTI FLOOR CARE NORTH AMERICA.
- * **WARNING:** TO REDUCE THE RISK OF ELECTRICAL SHOCK OR INJURY, ALWAYS DISCONNECT THE APPLIANCE CORD FROM THE ELECTRICAL OUTLET OR REMOVE BATTERY PRIOR TO SERVICING THE UNIT.



PLATINUM
Collection

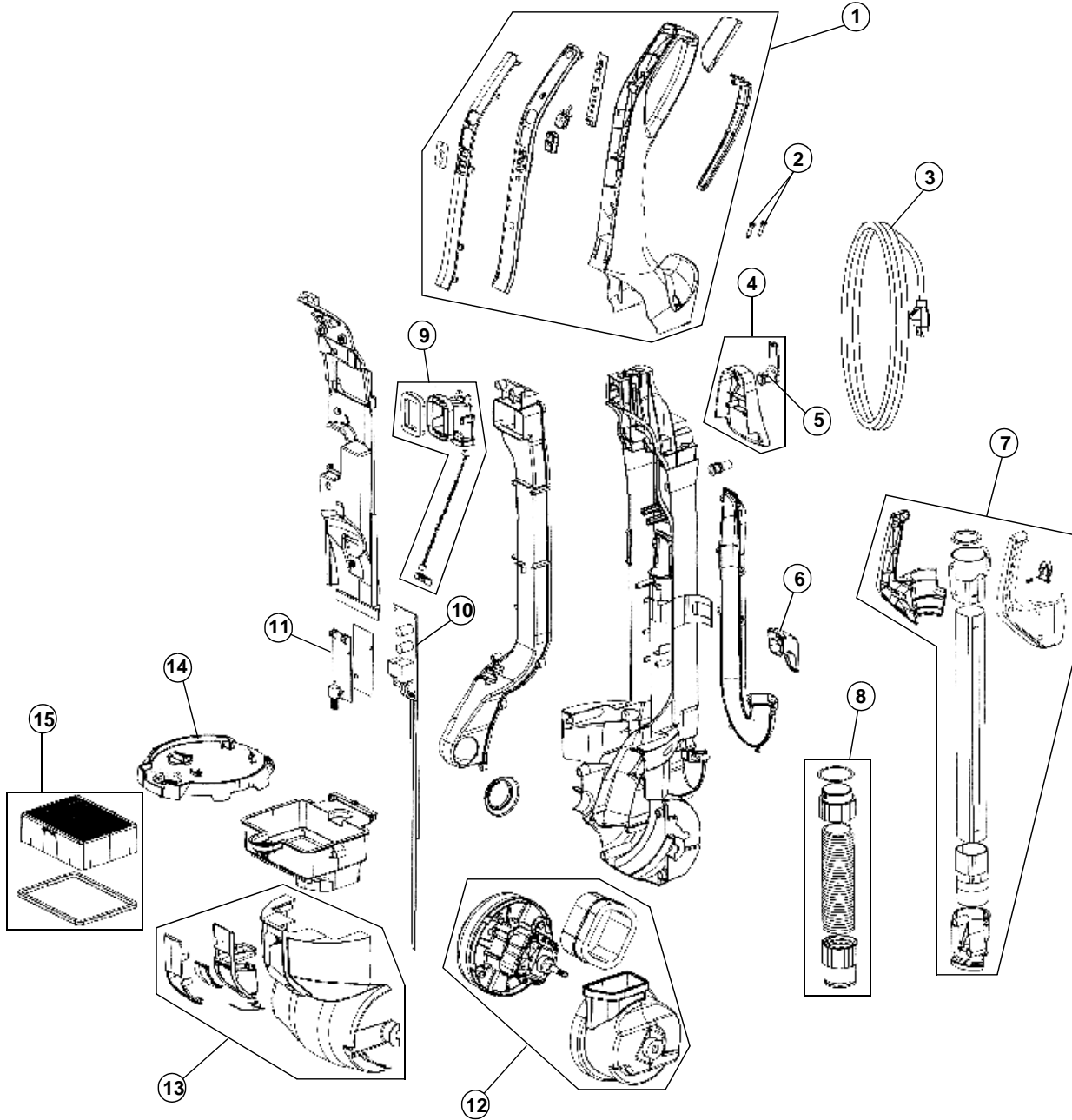
CYCLONIC
BAGLESS
UPRIGHT

33

ASSEMBLY SCHEMATIC

MODEL NO.

UH70010
UH70015





PLATINUM
Collection

CYCLONIC
BAGLESS
UPRIGHT

33

PART LISTING / PRICE LIST

MODEL No.

UH70010
UH70015

ITEM	PART NUMBER	MODELS To FIT	PART DESCRIPTION	LIST COST
1	48663249	UH70010, UH70015	HANDLE ASSEMBLY	60.27
2	21447236	UH70010, UH70015	HANDLE SCREW	1.12
3	46383365	UH70010, UH70015	POWER CORD - 40'	22.75
4	48664005	UH70010, UH70015	CARRY HANDLE ASSEMBLY	2.33
5	39442056	UH70010, UH70015	UPPER CORD WRAP	.66
6	39442059	UH70010, UH70015	LOWER CORD WRAP	1.16
7	48642104	UH70010, UH70015	WAND ASSEMBLY	34.93
8	43434279	UH70010, UH70015	HOSE ASSEMBLY	16.45
9	48511008	UH70010, UH70015	INLET DUCT WITH MICROPHONE BRACKET IF NON EDF VERSION IS NEEDED, THIS IS TO BE ORDERED AND MICROPHONE CAN BE REMOVED	6.73
10	46851078	UH70010, UH70015	POWER PCB BOARD ASSEMBLY	32.10
11	46851079	UH70010, UH70015	SINGLE PCB BOARD ASSEMBLY	36.99
12	43576229	UH70010, UH70015	MOTOR ASSEMBLY WITH SHROUD	69.40
13	42191018	UH70010, UH70015	MOTOR COVER ASSEMBLY	52.53
14	37257327	UH70010, UH70015	EXHAUST FILTER COVER ASSEMBLY	4.44
15	38765035	UH70010, UH70015	HEPA FILTER	15.08
	21447242	UH70010, UH70015	BODY SCREW # 8 -10 x .625" - SELF TAPPING	1.12
	21447526	UH70010, UH70015	SCREW # 4 - 10 x .500" - SELF TAPPING USED: WAND ASSEMBLY; CLEAN AIR DUCT / MICROPHONE	.57
	21447527	UH70010, UH70015	SCREW # 6 - 10 x .750" - SELF TAPPING USED: BACK PANEL; J-TUBE; CLEAN AIR DUCT	.57

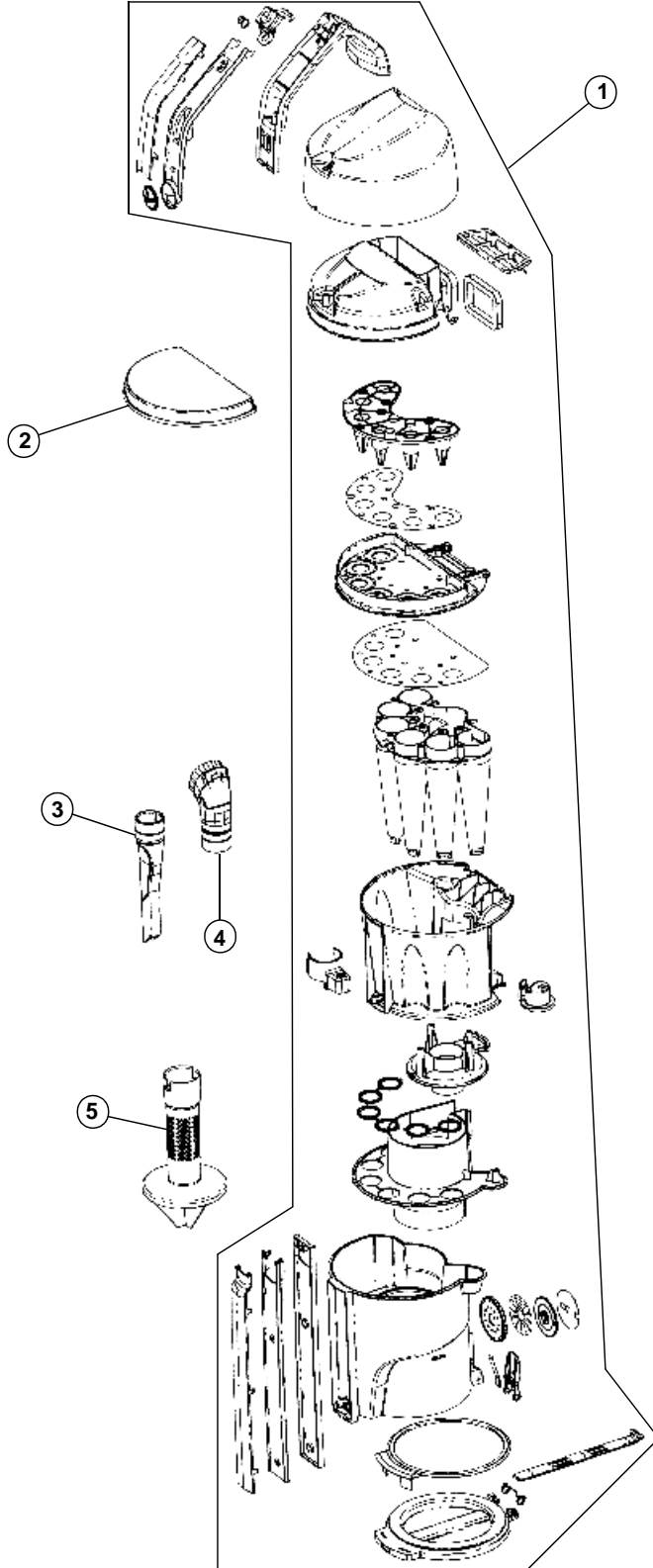


PLATINUM
Collection

CYCLONIC
BAGLESS
UPRIGHT

33

ASSEMBLY SCHEMATIC



MODEL NO.

UH70010
UH70015



PLATINUM
Collection

CYCLONIC
BAGLESS
UPRIGHT

33

PART LISTING / PRICE LIST

ITEM	PART NUMBER	MODELS TO FIT	PART DESCRIPTION	LIST COST
1	43645063	UH70010, UH70015	COMPLETE DIRT CUP ASSEMBLY	145.13
2	43615096	UH70010, UH70015	DIRT CUP FILTER	6.98
3	38617035	UH70010, UH70015	CREVICE TOOL	1.44
4	303659001	UH70010, UH70015	FURNITURE TOOL ASSEMBLY	2.83
5	38768050	UH70010, UH70015	UMBRELLA TUBE - DIRT CUP	3.22

MODEL No.

UH70010
UH70015



PLATINUM
Collection

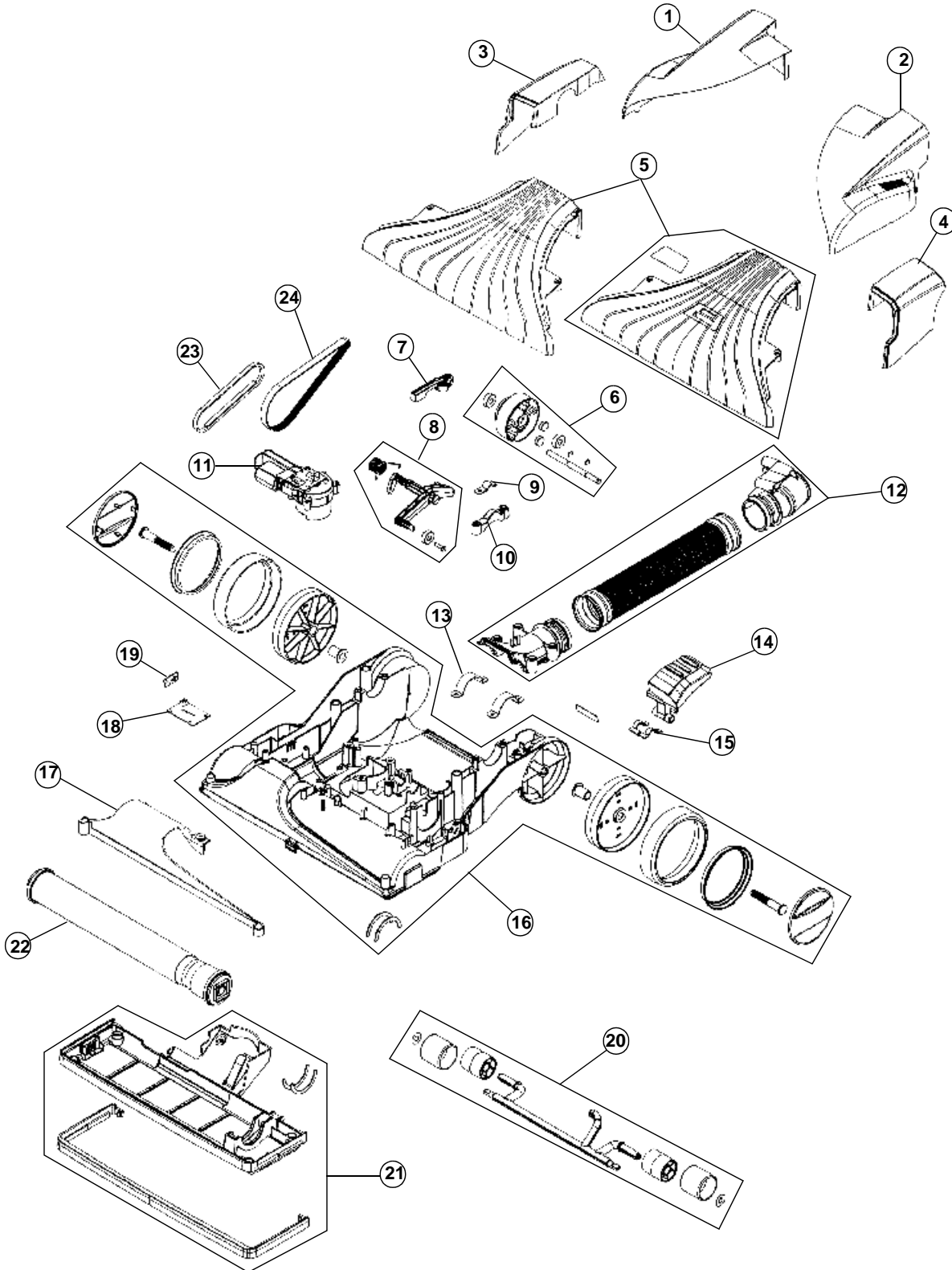
CYCLONIC
BAGLESS
UPRIGHT

33

ASSEMBLY SCHEMATIC

MODEL NO.

UH70010
UH70015





PLATINUM
Collection

CYCLONIC
BAGLESS
UPRIGHT

33

PART LISTING / PRICE LIST

MODEL No.

UH70010
UH70015

ITEM	PART NUMBER	MODELS TO FIT	PART DESCRIPTION	LIST COST
1	37252123	UH70010, UH70015	HOOD - RIGHT	17.60
2	37252122	UH70010, UH70015	HOOD - LEFT	17.60
3	36131163	UH70010, UH70015	TRUNNION COVER - RIGHT	3.24
4	36131164	UH70010, UH70015	TRUNNION COVER - LEFT	3.13
5	37243073	UH70010	HOOD - CENTER NON-EDF	10.71
	42252B80	UH70015	HOOD - CENTER W/EDF LABEL	11.13
6	43256008	UH70010, UH70015	TRANSFER PULLEY ASSEMBLY	19.87
7	36171068	UH70010, UH70015	TRANSFER PULLEY CLAMP	.44
8	43151026	UH70010, UH70015	IDLER ARM ASSEMBLY	2.55
9	36171058	UH70010, UH70015	ACTUATOR ARM TRUNNION	.30
10	36172061	UH70010, UH70015	IDLER ARM CLAMP	.45
11	27271005	UH70010, UH70015	HEIGHT ADJUSTMENT MOTOR ASSEMBLY	18.53
12	43434280	UH70010, UH70015	LOWER HOSE ASSEMBLY	5.48
13	36171069	UH70010, UH70015	PIVOT CLAMP	.35
14	38434049	UH70010, UH70015	HANDLE RELEASE PEDAL	4.15
15	36436029	UH70010, UH70015	HANDLE RELEASE PEDAL CLAMP	.56
16	42246154	UH70010, UH70015	NOZZLE BASE ASSEMBLY WITH WHEELS	37.60
17	37243072	UH70010, UH70015	NOZZLE LINER	1.53
18	46851081	UH70015	EDF PCB ASSEMBLY	4.81
19	46851082	UH70010, UH70015	PCB HALL ASSEMBLY	4.57
20	43248074	UH70010, UH70015	FRONT WHEEL ASSEMBLY	16.24
21	42246152	UH70010, UH70015	BOTTOM PLATE / NOZZLE GUARD	7.42
22	48414156	UH70010, UH70015	AGITATOR / BRUSH ROLL ASSEMBLY	15.17
23	38528034	UH70010, UH70015	V - BELT AGITATOR / BRUSH ROLL	1.50 NON DISC
24	38528050	UH70010, UH70015	POLY V - BELT PULLEY	7.42
	21447242	UH70010, UH70015	BODY SCREW # 8 -10 X .625" - SELF TAPPING	1.12
	21447121	UH70010, UH70015	SCREW # 8 - 10 X 1.625" - SELF TAPPING USED: NOZZLE	.57



PLATINUM
Collection

CYCLONIC
BAGLESS
UPRIGHT

33

NOTES

MODEL No.

UH70010
UH70015



PLATINUM
Collection

CARPET
CLEANER

34

SECTION CONTENTS

<u>MODEL NO.</u>	<u>PAGE NO.</u>
F8100900	34-2 THRU 34-8

MODEL NO.

F8100900



- * PRICING, SPECIFICATION'S, AND PRODUCT AVAILABILITY ARE SUBJECT TO CHANGE WITHOUT NOTICE. PRICING IS FOB FACTORY, CANTON, OH
- * ALL INFORMATION CONTAINED WITHIN THIS SERVICE MANUAL IS PROPRIETARY INFORMATION OF TTI FLOOR CARE NORTH AMERICA.
- * **WARNING:** TO REDUCE THE RISK OF ELECTRICAL SHOCK OR INJURY, ALWAYS DISCONNECT THE APPLIANCE CORD FROM THE ELECTRICAL OUTLET OR REMOVE BATTERY PRIOR TO SERVICING THE UNIT.



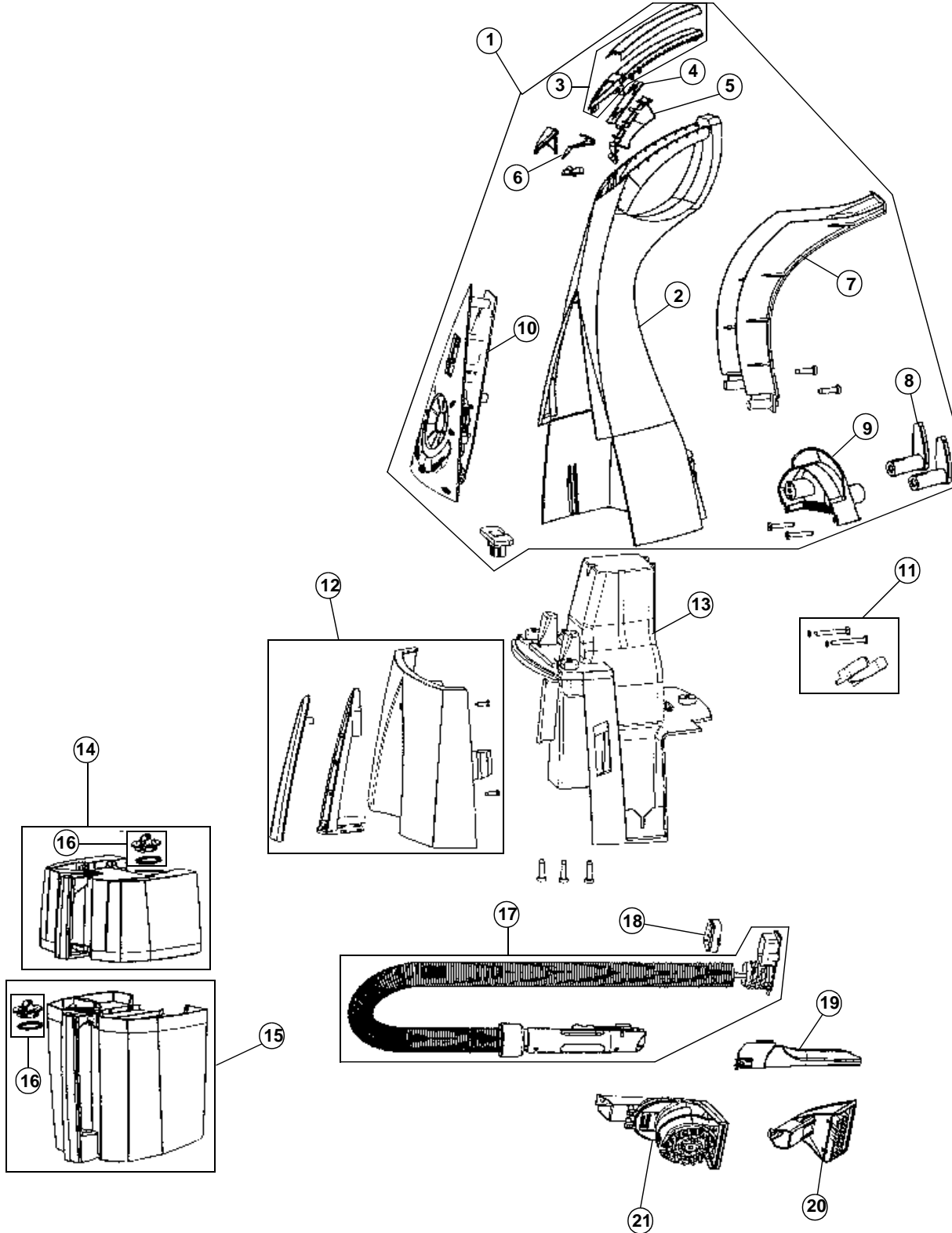
PLATINUM
Collection

CARPET
CLEANER

34

ASSEMBLY SCHEMATIC

MODEL NO.
F8100900





PLATINUM
Collection

CARPET
CLEANER

34

PART LISTING / PRICE LIST

MODEL No.

F8100900

ITEM	PART NUMBER	MODELS To FIT	PART DESCRIPTION	LIST COST
1	302594001	F8100900	HANDLE ASSEMBLY COMPLETE	
2	302595001	F8100900	UPPER HANDLE ASSEMBLY	21.40
3	302596002	F8100900	FRONT COVER - UPPER HANDLE	6.13
4	280519001	F8100900	CIRCUIT BOARD - TRIGGER SWITCH	3.33
5	517404001	F8100900	TRIGGER	1.27
6	521076001	F8100900	TRIGGER STOP	.27
7	517402001	F8100900	REAR COVER - UPPER HANDLE	3.00
8	517538001	F8100900	CORD WRAP	1.67
9	517410001	F8100900	CARRY HANDLE	3.07
10	302632002	F8100900	CONTROL PANEL ASSEMBLY	60.92
11	40201319	F8100900	HARDWARE PACKAGE - UPPER HANDLE	1.50
12	42227189	F8100900	TOOL DOOR ASSEMBLY	8.11
13	517403001	F8100900	UPPER HANDLE INSERT	9.53
14	302664002	F8100900	SOLUTION TANK ASSEMBLY COMPLETE	37.93
15	302668001	F8100900	CLEAN WATER TANK ASSEMBLY COMPLETE	45.16
16	302666001	F8100900	TANK CAP ASSEMBLY	2.47
17	43434282	F8100900	HOSE ASSEMBLY COMPLETE	37.73
18	562125001	F8100900	RUBBER SEAL ADAPTOR - HOSE	.67
19	517550001	F8100900	CREVICE TOOL	1.80
20	517438001	F8100900	FURNITURE NOZZLE ASSEMBLY	10.07
21	302598001	F8100900	UPHOLSTERY NOZZLE TOOL ASSEMBLY	32.07



PLATINUM
Collection

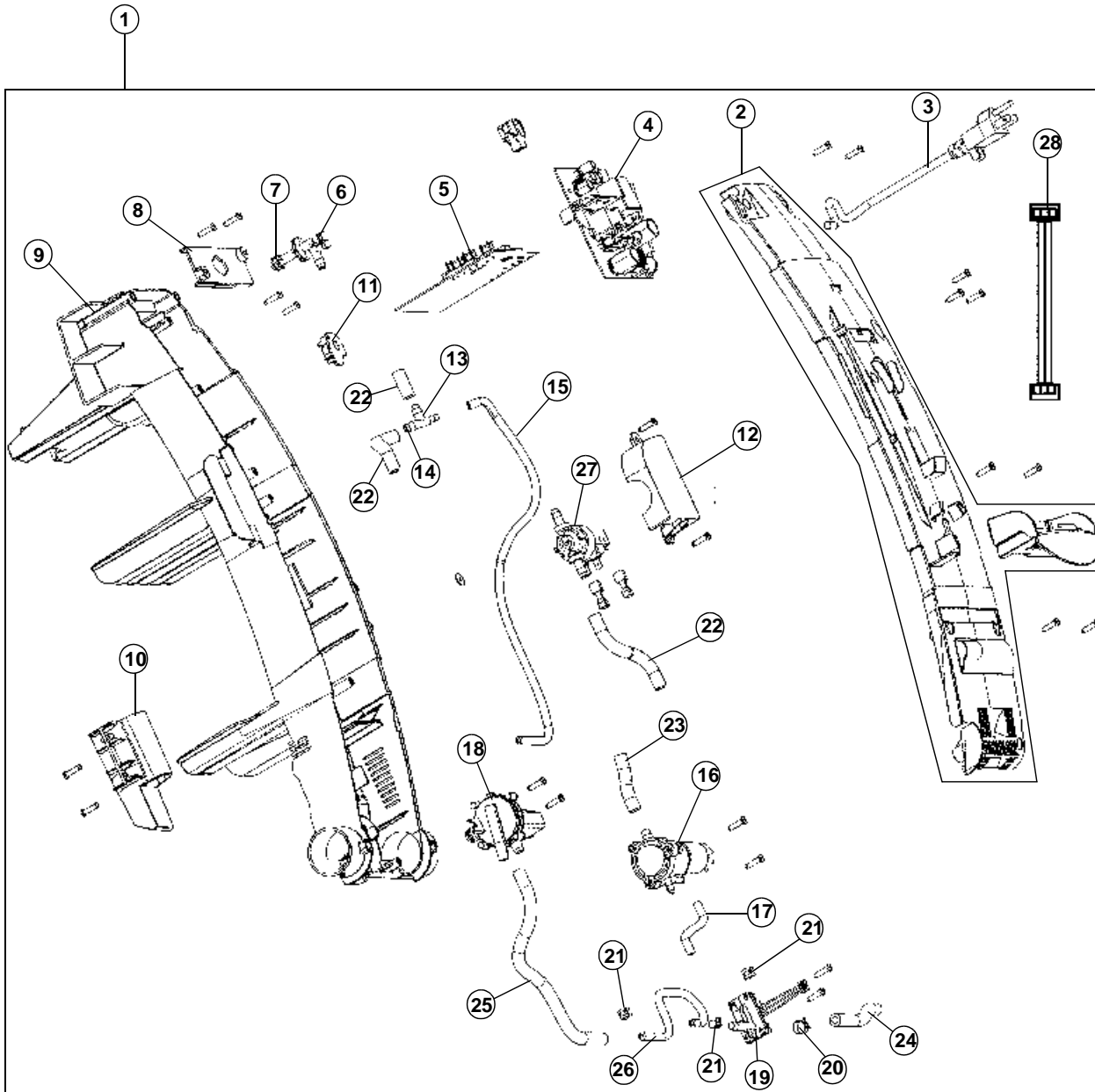
CARPET
CLEANER

34

ASSEMBLY SCHEMATIC

MODEL NO.

F8100900





PLATINUM
Collection

CARPET
CLEANER

34

PART LISTING / PRICE LIST

MODEL No.

F8100900

ITEM	PART NUMBER	MODELS TO FIT	PART DESCRIPTION	LIST COST
1	302652001	F8100900	LOWER HANDLE COMPLETE	
2	517443001	F8100900	REAR COVER - LOWER HANDLE	19.07
3	730719002	F8100900	POWER CORD ASSEMBLY	30.73
4	280518001	F8100900	CURCUIT BOARD - POWER CONTROL	60.67
5	280516001	F8100900	CURCUIT BOARD - MICRO CONTROL	42.87
6	302602001	F8100900	CHEMICAL PORT MANIFOLD ASSEMBLY	1.87
7	562107002	F8100900	O-RING - CHEMICAL PORT MANIFOLD	
8	517444002	F8100900	MANIFOLD SUPPORT	1.13
9	517442001	F8100900	FRONT COVER - LOWER HANDLE	28.07
10	517454001	F8100900	HOSE HOLDER	1.67
11	590220008	F8100900	STRAIN RELIEF	.13
12	517448001	F8100900	VALVE COVER	1.13
13	519523001	F8100900	TEE - TUBING	1.07
14	562121001	F8100900	RUBBER GASKET - TEE	.13
15	562109001	F8100900	TUBE - ID 4.0MM / 33.46" LONG SPOT PUMP	2.53
16	302603001	F8100900	GEAR PUMP	31.13
17	562109005	F8100900	TUBE - ID 4.0MM PUMP FLOW METER	.53
18	302604002	F8100900	WATER TANK MANIFOLD ASSEMBLY	4.47
19	302606001	F8100900	LOW FLOW METER WITH PCB HALL SENSOR	10.13
20	25411015	F8100900	HOSE CLAMP - ID .460	1.12
21	25411016	F8100900	HOSE CLAMP - ID .301	.15
22	562108004	F8100900	TUBE - ID 6.35MM X 90MM DETERGENT	.27
23	562108003	F8100900	TUBE - ID 6.35MM X 49MM WATER TANK MANIFOLD	
24	562108008	F8100900	TUBE - ID 6.35MM X 73 MM FLOW METER VALVE	
25	562108002	F8100900	TUBE - ID 6.35MM X 220MM WATER MANIFOLD NOZZLE VALVE	
26	562109002	F8100900	TUBE - ID 4.0MM X 220MM FLOW METER HOSE	
27	25686057	F8100900	SOLENOID VALVE - GRAVITY	11.33
28	290873033	F8100900	FUSE HARNESS	2.80



PLATINUM
Collection

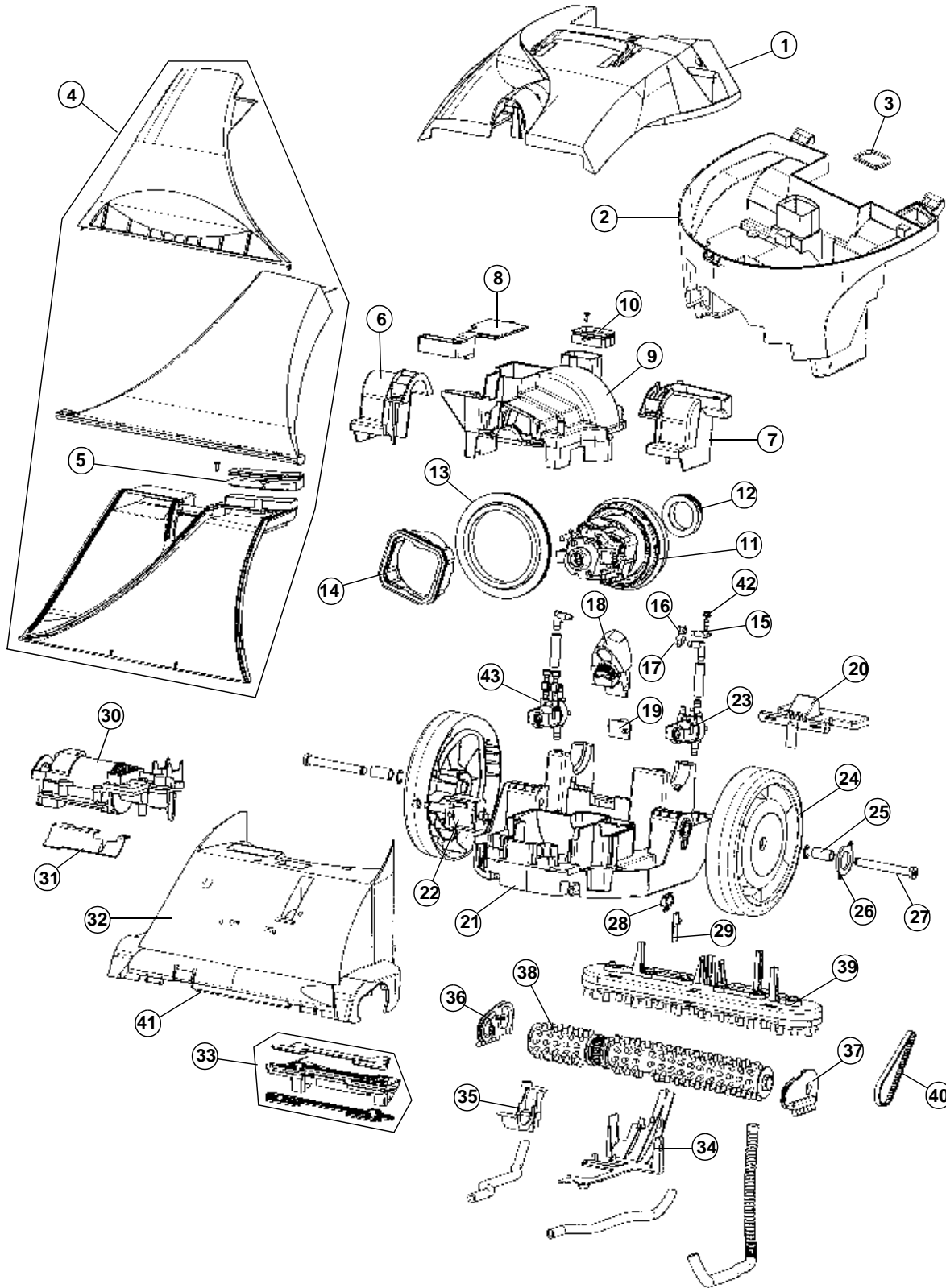
CARPET
CLEANER

34

ASSEMBLY SCHEMATIC

MODEL NO.

F8100900





PLATINUM
Collection

CARPET
CLEANER

34

PART LISTING / PRICE LIST

MODEL No.

F8100900

ITEM	PART NUMBER	MODELS To FIT	PART DESCRIPTION	LIST COST
1	517586001	F8100900	DIRTY WATER TANK LID ASSEMBLY	66.07
2	517585001	F8100900	DIRTY WATER TANK	18.67
3	36426107	F8100900	DIRTY WATER TANK SCREEN - ORANGE	.40
4	302631001	F8100900	NOZZLE ASSEMBLY	40.20
5	562128001	F8100900	GASKET - NOZZLE	1.80
6	517531001	F8100900	TRUNNION COVER - RIGHT	2.20
7	517529001	F8100900	TRUNNION COVER - LEFT	2.80
8	517498001	F8100900	COVER - MOTOR AIR DUCT	1.53
9	517497001	F8100900	MOTOR COVER	7.67
10	562120001	F8100900	RUBBER SEAL - MOTOR COVER STAND PIPE	.67
11	741179001	F8100900	MOTOR ASSEMBLY	63.27
12	562117001	F8100900	RUBBER SEAL - MOTOR FAN	.80
13	562118001	F8100900	RUBBER SEAL - MOTOR	.40
14	562119001	F8100900	RUBBER SEAL - MOTOR MOUNT	1.93
15	517500001	F8100900	TEE - TUBING	1.07
16	25411017	F8100900	HOSE CLAMP - ID .250	1.12
17	25411016	F8100900	HOSE CLAMP - ID .301	.15
18	302611001	F8100900	FRONT SPRAY AND HEADLIGHT ASSEMBLY	23.87
19	280522001	F8100900	PCB - THERMISTOR	9.00
20	517503001	F8100900	HANDLE RELEASE PEDAL	2.80
21	517496001	F8100900	NOZZLE BASE	31.67
22	303127001	F8100900	SOLENOID PUMP WITH WELDED GROUND	24.07
23	25686057	F8100900	SOLENOID VALVE - GRAVITY	11.33
24	43244047	F8100900	WHEEL AND HUB CAP	8.33
25	641617001	F8100900	SLEEVE BEARING - WHEEL	
26	517534001	F8100900	WHEEL MAGNET	1.67
27	632555001	F8100900	REAR WHEEL AXLE	1.67
28	760758001	F8100900	MICRO SWITCH	3.00
29	280521001	F8100900	PCB HALL ASSEMBLY	7.13
30	302610001	F8100900	GEAR BOX ASSEMBLY	40.07
31	517499001	F8100900	COVER - GEAR BOX	.60
32	517511001	F8100900	HOOD - NOZZLE	15.33
33	302609001	F8100900	DISTRIBUTOR - WELDED	4.87
34	517502001	F8100900	WIRE CHANNEL COVER	1.33



PLATINUM
Collection

CARPET
CLEANER

34

PART LISTING / PRICE LIST

MODEL No.

F8100900

ITEM	PART NUMBER	MODELS TO FIT	PART DESCRIPTION	LIST COST
35	302613001	F8100900	AGITATOR / BRUSH ROLL BELT GUARD - WITH BRISTLES	1.60
36	302617001	F8100900	END CAP WITH BRISTLES - LEFT	1.93
37	302615001	F8100900	END CAP WITH BRISTLES - RIGHT	1.93
38	302629001	F8100900	BRUSH ROLL ASSEMBLY	15.13
39	302619001	F8100900	BRUSH BLOCK ASSEMBLY - 6 BRUSHES	22.67
40	562124001	F8100900	BELT	2.47
41	521100001	F8100900	AGITATOR / BRUSH ROLL SHIELD	10.27
42	562121001	F8100900	GASKET - TEE	.13
43	25686057	F8100900	SOLENOID VALVE - GRAVITY	11.33



PLATINUM
Collection

CYCLONIC
BAGLESS
CANISTER

35

SECTION CONTENTS

<u>MODEL NO.</u>	<u>PAGE NO.</u>
S3865	35-2 THRU 35-5

MODEL NO.

S3865



- * PRICING, SPECIFICATION'S, AND PRODUCT AVAILABILITY ARE SUBJECT TO CHANGE WITHOUT NOTICE. PRICING IS FOB FACTORY, CANTON, OH
- * ALL INFORMATION CONTAINED WITHIN THIS SERVICE MANUAL IS PROPRIETARY INFORMATION OF TTI FLOOR CARE NORTH AMERICA.
- * **WARNING:** TO REDUCE THE RISK OF ELECTRICAL SHOCK OR INJURY, ALWAYS DISCONNECT THE APPLIANCE CORD FROM THE ELECTRICAL OUTLET OR REMOVE BATTERY PRIOR TO SERVICING THE UNIT.



PLATINUM
Collection

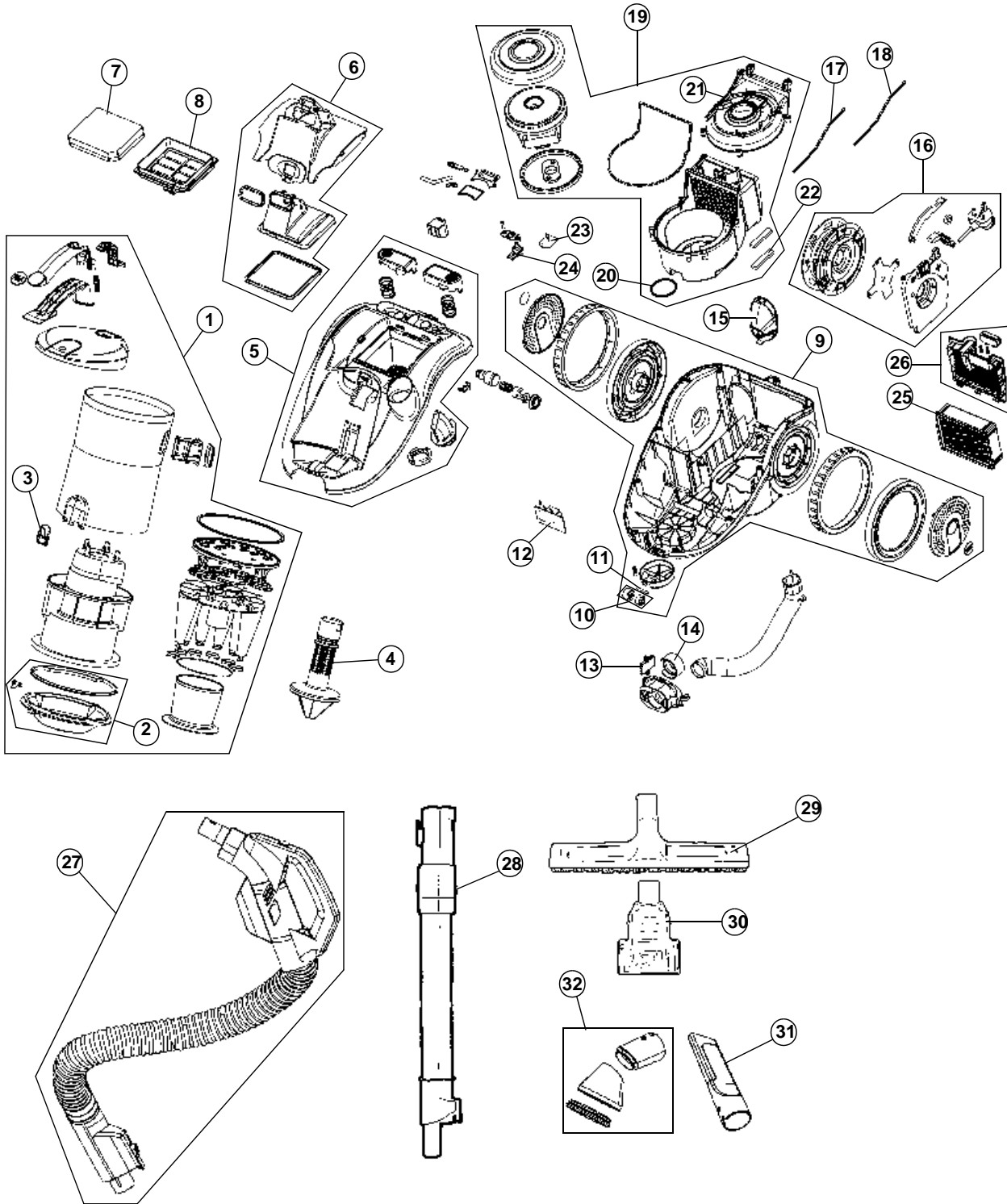
CYCLONIC
BAGLESS
CANISTER

35

ASSEMBLY SCHEMATIC

MODEL NO.

S3865





PLATINUM
Collection

CYCLONIC
BAGLESS
CANISTER

35

PART LISTING / PRICE LIST

MODEL No.

S3865

ITEM	PART NUMBER	MODELS TO FIT	PART DESCRIPTION	LIST COST
1	001039010	S3865	DIRT CUP ASSEMBLY WITH LID	
2	000985005	S3865	DIRT CUP DOOR ASSEMBLY	
3	517189003	S3865	DIRT CUP DOOR RELEASE BUTTON	
4	517087003	S3865	AIR DIRECTOR UMBRELLA	
5	001013005	S3865	UPPER HOUSING ASSEMBLY	
6	001695003	S3865	INLET / PRE-MOTOR FILTER COVER ASSEMBLY	
7	303090001	S3865	INLET / PRE-MOTOR FILTER - FOAM/MESH	8.95
8	517077001	S3865	INLET / PRE-MOTOR FILTER HOLDER	
9	000868018	S3865	LOWER HOUSING ASSEMBLY WITH WHEELS	
10	302450003	S3865	FRONT WHEEL ASSEMBLY	
11	620823001	S3865	FRONT WHEEL AXLE	
12	001114010	S3865	MAIN UNIT PCB ASSEMBLY - SOFT START	29.73
13	290932001	S3865	HOSE CONNECT INLET SOCKET ASSEMBLY	
14	562077001	S3865	HOSE CONNECT INLET GASKET	
15	517064003	S3865	CORD REWIND INLET	
16	302458006	S3865	CORD REWIND ASSEMBLY	
17	290969001	S3865	CORD REWIND WIRE ASSEMBLY SET - BLACK	
18	290970001	S3865	CORD REWIND WIRE ASSEMBLY SET - WHITE	
19	002087002	S3865	MOTOR HOUSING ASSEMBLY	
20	562148002	S3865	MOTOR INLET GASKET	
21	001291004	S3865	CORD REWINDER COOLING GASKET	
22	562152005	S3865	MOTOR HOUSING GASKET - RUBBER	
23	280535002	S3865	POWER INDICATOR PCB ASSEMBLY	
24	760120007	S3865	POWER SWITCH	
25	303017001	S3865	EXHAUST FILTER ASSEMBLY	14.50
26	001695002	S3865	EXHAUST FILTER COVER ASSEMBLY	
27	000148004	S3865	HOSE AND HANDLE GRIP ASSEMBLY	129.27
	000148008	S3865	ELECTRICAL ASSEMBLY - HOSE HANDLE	
28	303016001	S3865	TELESCOPIC WAND ASSEMBLY - ELECTRICAL	
29	303129002	S3865	12" BARE FLOOR TOOL	15.35
30	303266001	S3865	TURBO TOOL ASSEMBLY	
31	519051001	S3865	CREVICE TOOL	
32	302523002	S3865	DUSTING BRUSH TOOL ASSEMBLY	



PLATINUM
Collection

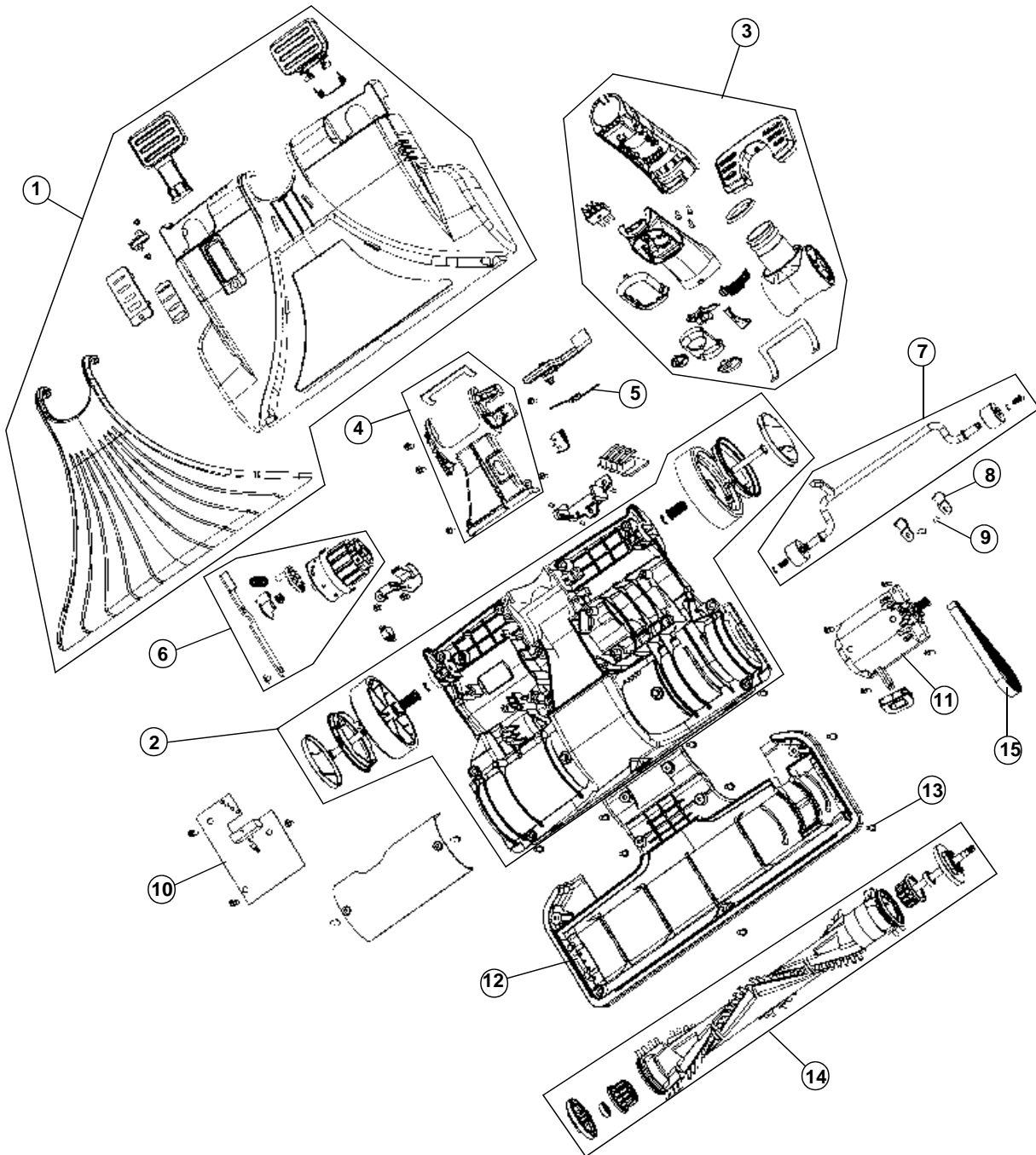
CYCLONIC
BAGLESS
CANISTER

35

ASSEMBLY SCHEMATIC

MODEL NO.

S3865





PLATINUM
Collection

CYCLONIC
BAGLESS
CANISTER

35

PART LISTING / PRICE LIST

MODEL No.

S3865

Item	Part Number	Model's To Fit	Part Description	List Cost
1	001190032	S3865	NOZZLE COVER ASSEMBLY	
2	001018033	S3865	NOZZLE BASE ASSEMBLY WITH REAR WHEELS	
3	001950002	S3865	PIVOT ASSEMBLY WITH WIRING	
4	000511004	S3865	PIVOT COVER WITH SEAL - CLEAR	
5	672893001	S3865	HANDLE RELEASE LEVER SPRING	
6	303821001	S3865	HEIGHT ADJUSTMENT ASSEMBLY	
7	001532003	S3865	FRONT WHEEL ASSEMBLY	
8	633168001	S3865	FRONT WHEEL SHAFT CLAMP	
9	660208057	S3865	FRONT WHEEL SHAFT CLAMP SCREW	
10	001018034	S3865	PCB ASSEMBLY	
11	741266001	S3865	MOTOR ASSEMBLY	40.00
12	001251015	S3865	NOZZLE GUARD ASSEMBLY	
13	660021002	S3865	NOZZLE GUARD SCREW	.57
14	303543001	S3865	BRUSH ROLL ASSEMBLY - WOOD	22.67
15	562206001	S3865	BELT - POLY V	7.42
16	660294006	S3865	NOZZLE BASE SCREW	.88
	000148009	S3865	POWER NOZZLE ASSEMBLY COMPLETE	168.30



PLATINUM
Collection

CYCLONIC
BAGLESS
CANISTER

35

NOTES

MODEL NO.

S3865

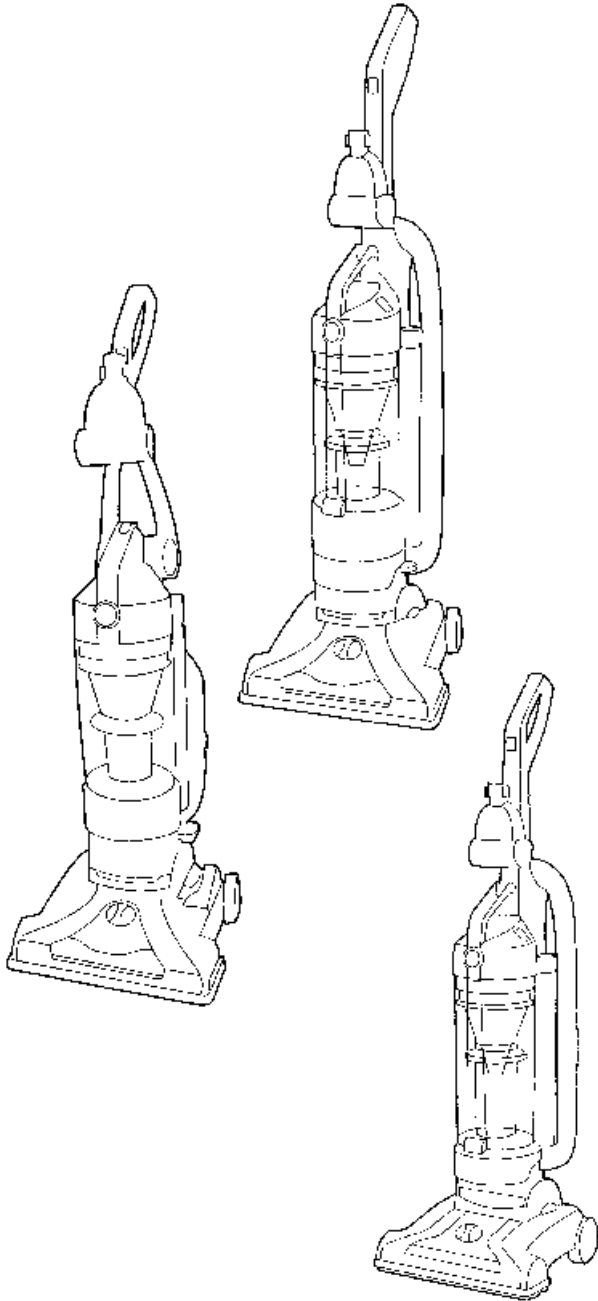


WINDTUNNEL WINDTUNNEL
 PURE CLEAN T SERIES REWIND T SERIES
 WINDTUNNEL WINDTUNNEL
 PET REWIND[™] REWIND PLUS[™]
 WINDTUNNEL WINDTUNNEL
 T SERIES PURELY PET[™]

36

SECTION CONTENTS

MODEL No.



<u>MODEL No.</u>	<u>PAGE No.</u>
UH70200	36-2 THRU 36-4
UH70205	36-2 THRU 36-4
UH70210	36-2 THRU 36-4
UH70211	36-2 THRU 36-4
UH70212	36-2 THRU 36-4
UH70215	36-2 THRU 36-4
UH70110	36-5 THRU 36-7
UH70120	36-5 THRU 36-7
UH70100	36-8 THRU 36-10
UH70105	36-8 THRU 36-10
UH70106	36-8 THRU 36-10
UH70107	36-8 THRU 36-10
UH70130	36-11 THRU 36-12

UH70100
UH70105
UH70106
UH70107
UH70110
UH70120
UH70130
UH70200
UH70205
UH70210
UH70211
UH70212
UH70215

- * PRICING, SPECIFICATION'S, AND PRODUCT AVAILABILITY ARE SUBJECT TO CHANGE WITHOUT NOTICE. PRICING IS FOB FACTORY, CANTON, OH
- * ALL INFORMATION CONTAINED WITHIN THIS SERVICE MANUAL IS PROPRIETARY INFORMATION OF TTI FLOOR CARE NORTH AMERICA.
- * **WARNING:** TO REDUCE THE RISK OF ELECTRICAL SHOCK OR INJURY, ALWAYS DISCONNECT THE APPLIANCE CORD FROM THE ELECTRICAL OUTLET OR REMOVE BATTERY PRIOR TO SERVICING THE UNIT.



WINDTUNNEL
 PURE CLEAN SERIES
WINDTUNNEL
 PET REWIND

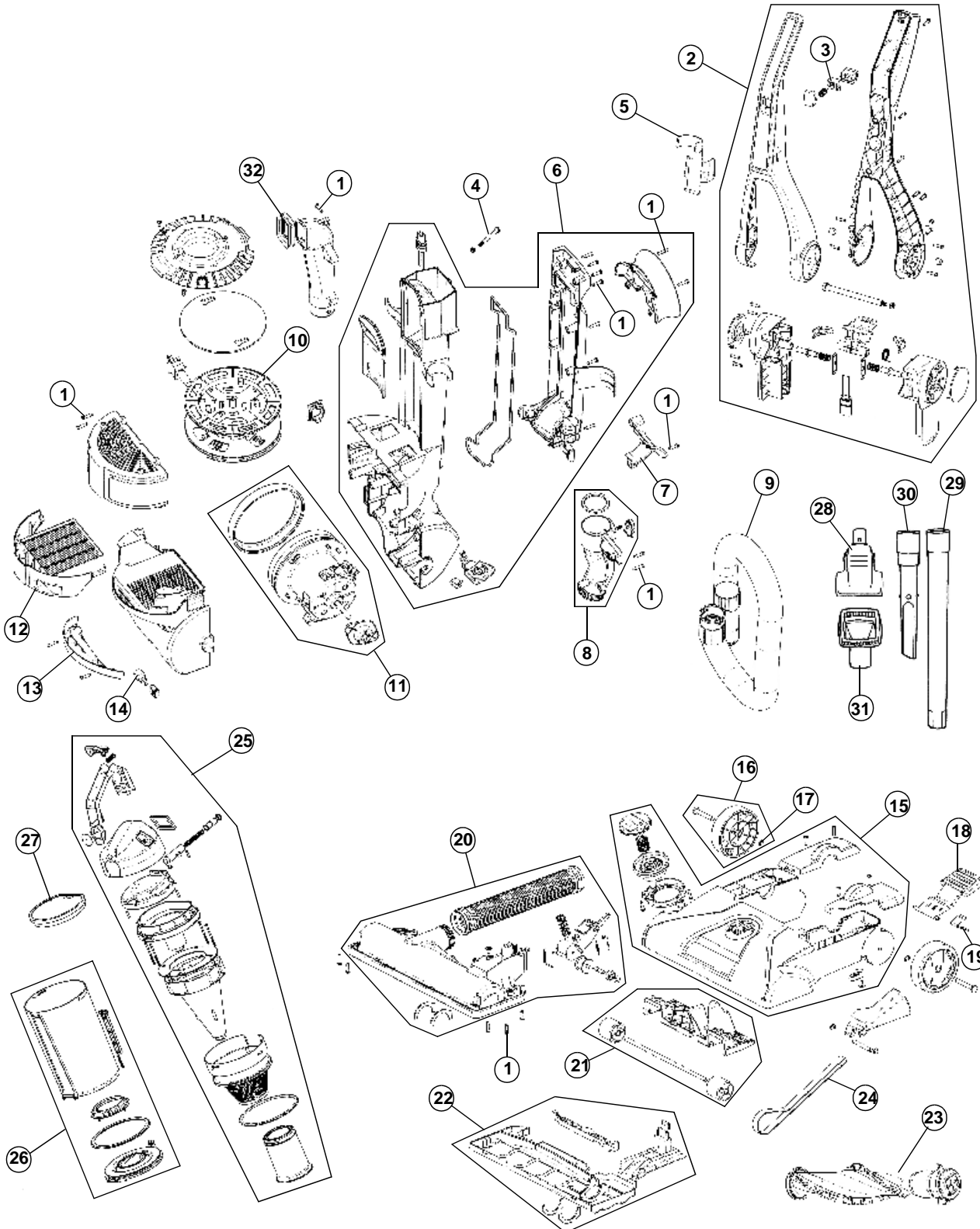
WINDTUNNEL
 REWIND PLUS

36

ASSEMBLY SCHEMATIC

MODEL NO.

- UH70200
- UH70205
- UH70210
- UH70211
- UH70212
- UH70215





WINDTUNNEL
 PURE CLEAN SERIES
WINDTUNNEL
 PET REWIND

WINDTUNNEL
 REWIND PLUS

36

PART LISTING / PRICE LIST

ITEM	PART NUMBER	MODELS TO FIT	PART DESCRIPTION	LIST COST
1	660021002	ALL	BODY SCREW - #8 x 6MM	.57
2	303839001	UH70200	HANDLE ASSEMBLY - FOLDING / D STYLE SHADOWS GRAY	42.20
	303835002	UH70205, UH70211 UH70212	HANDLE ASSEMBLY - FOLDING / D STYLE SHADOWS METALLIC	42.20
	303835001	UH70210, UH70215	HANDLE ASSEMBLY - FOLDING / D STYLE BILLOWY BLUE	42.20
3	28218062	ALL	SWITCH	.92
4	620893001	ALL	HANDLE SCREW	.20
5	521025002	ALL	TURBO TOOL CLIP	.34
6	303831001	ALL	MAIN BACK PANEL ASSEMBLY	
7	521088001	ALL	HOSE WRAP - LOWER	1.00
8	303832001	ALL	LOWER HOSE ADAPTOR ASSEMBLY	1.90
9	303239003	ALL	UPPER HOSE ASSEMBLY - 8'	11.33
	303642001	UH70200, UH70212, UH70215	UPPER HOSE ASSEMBLY - 12'	14.86
10	303238002	ALL	CORD REWIND ASSEMBLY	37.13
11	230272001	ALL	MOTOR ASSEMBLY - WITH GASKET / GROMMET	44.05
12	303172001	ALL	EXHAUST HEPA FILTER ASSEMBLY	9.36
	902404001	UH70210, UH70211, UH70212, UH70215	CARBON EXHAUST FILTER	1.25
13	521064002	ALL	HEAD LIGHT LENS	
14	27313107	ALL	LIGHT BULB	3.09
15	303840001	UH70200	NOZZLE BASE ASSEMBLY - GARNET METALLIC	
	303834002	UH70205, UH70211	NOZZLE BASE ASSEMBLY - SHADOWS METALLIC	14.08
	303834001	UH70210, UH70215	NOZZLE BASE ASSEMBLY - BILLOWY BLUE	14.08
	WAITING	UH70212	NOZZLE BASE ASSEMBLY - DARK SHADOWS GREEN METALLIC	
16	WAITING	ALL	REAR WHEEL ASSEMBLY	
17	691040002	ALL	E - CLIP	.88
18	521048001	ALL	HANDLE RELEASE PEDAL	1.20
19	633197001	ALL	HANDLE RELEASE PEDAL SPRING	.20
20	303828001	ALL	BRUSH ROLL HOUSING / LOWER HOSE ASMY	15.53
21	303214001	ALL	ROLLER LIFTER ASSEMBLY	2.80
22	303829001	ALL	NOZZLE GUARD ASSEMBLY	6.19
23	303280001	ALL	BRUSH ROLL ASSEMBLY	11.33
24	562289001	ALL	BELT - CLOTH	3.47
	AH20065	ALL	BELT - CLOTH 2 PACK	1.50 NON DISC

MODEL No.

UH70200
 UH70205
 UH70210
 UH70211
 UH70212
 UH70215



WINDTUNNEL
PURE CLEAN SERIES

WINDTUNNEL
PET REWIND

WINDTUNNEL
REWIND PLUS

36

PART LISTING / PRICE LIST

ITEM	PART NUMBER	MODELS TO FIT	PART DESCRIPTION	LIST COST
25	303833002	UH70200	DIRT CUP LID ASSEMBLY - GARNET METALLIC	28.35
	303833004	UH70205, UH70211	DIRT CUP LID ASSEMBLY - SHADOWS METALLIC	28.35
	303833001	UH70210, UH70215	DIRT CUP LID ASSEMBLY - BILLOWY BLUE	28.35
	WAITING	UH70212	DIRT CUP LID ASSEMBLY - DARK SHADOWS GREEN METALLIC	
26	304025001	ALL	DIRT CUP ASSEMBLY - SHORT	14.40
27	303173001	ALL	PRIMARY FILTER	6.95
28	521025000	UH70200, UH70205	TURBO TOOL ASSEMBLY	14.62
	000977002	UH70210, UH70211, UH70212, UH70215	TURBO TOOL ASSEMBLY - PET	16.87
29	500170001	ALL	EXTENSION WAND	3.29
30	521071001	ALL	CREVICE TOOL	.98
31	303205001	UH70200, UH70205	UPHOLSTERY TOOL	2.68
	303303001	UH70210, UH70211, UH70212, UH70215	UPHOLSTERY TOOL - PET	5.66
32	562269002	ALL	INLET TUBE SEAL	

MODEL No.

UH70200
UH70205
UH70210
UH70211
UH70212
UH70215



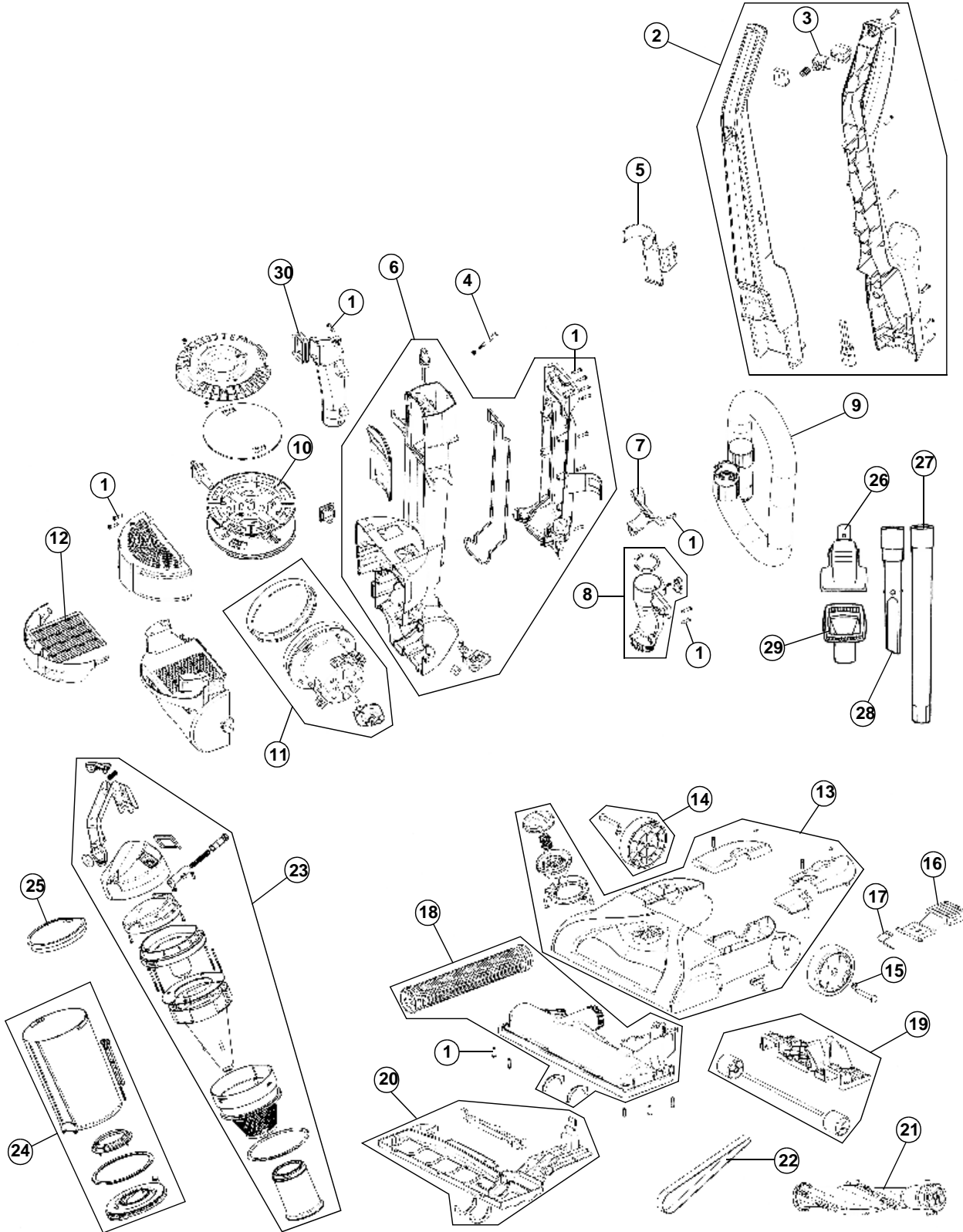
WINDTUNNEL REWIND T SERIES

36

ASSEMBLY SCHEMATIC

MODEL NO.

UH70110
UH70120





PART LISTING / PRICE LIST

MODEL No.

UH70110
 UH70120

ITEM	PART NUMBER	MODELS TO FIT	PART DESCRIPTION	LIST COST
1	660021002	UH70110, UH70120	BODY SCREW - #8 x 6MM	.57
2	303846001	UH70110, UH70120	HANDLE ASSEMBLY - STRAIGHT / D STYLE - SHADOW GRAY	PENDING
3	28218062	UH70110, UH70120	SWITCH	.92
4	620893001	UH70110, UH70120	HANDLE SCREW	.20
5	521025001	UH70110, UH70120	TURBO TOOL CLIP	.82
6	303831001	UH70110, UH70120	MAIN BACK PANEL ASSEMBLY	
7	521088001	UH70110, UH70120	HOSE WRAP - LOWER	1.00
8	303832001	UH70110, UH70120	LOWER HOSE ADAPTOR ASSEMBLY	1.90
9	303203001	UH70110, UH70120	UPPER HOSE ASSEMBLY - 8'	
10	303238002	UH70110, UH70120	CORD REWIND ASSEMBLY	37.13
11	230272001	UH70110, UH70120	MOTOR ASSEMBLY - WITH GASKET / GROMMET	44.05
12	303172002	UH70110, UH70120	EXHAUST HEPA FILTER ASSEMBLY	10.00
13	304030002	UH70110	NOZZLE BASE ASSEMBLY - WARM TITANIUM METALLIC	
	303847001	UH70120	NOZZLE BASE ASSEMBLY - SAGE METALLIC	
14	WAITING	UH70110, UH70120	REAR WHEEL ASSEMBLY	
15	691040002	UH70110, UH70120	E - CLIP	.88
16	521048001	UH70110, UH70120	HANDLE RELEASE PEDAL	1.20
17	633197001	UH70110, UH70120	HANDLE RELEASE PEDAL SPRING	.20
18	304024001	UH70110	BRUSH ROLL HOUSING / LOWER HOSE ASMY	
	303828001	UH70120	BRUSH ROLL HOUSING / LOWER HOSE ASMY	15.53
19	303214001	UH70110, UH70120	ROLLER LIFTER ASSEMBLY	2.80
20	304026001	UH70110, UH70120	NOZZLE GUARD ASSEMBLY	
21	303202001	UH70110, UH70120	BRUSH ROLL ASSEMBLY	11.33
22	38528058	UH70110, UH70120	BELT - STRETCH	1.25
	AH20080	UH70110, UH70120	BELT - STRETCH 2 PACK	1.50NON DISC
23	303833007	UH70110	DIRT CUP LID ASSEMBLY - WARM TITANIUM METALLIC	28.35
	303833003	UH70120	DIRT CUP LID ASSEMBLY - SAGE METALLIC	28.35
24	304025001	UH70110, UH70120	DIRT CUP ASSEMBLY - SHORT	14.40
25	303173001	UH70110, UH70120	PRIMARY FILTER	6.95
26	521025000	UH70110, UH70120	TURBO TOOL ASSEMBLY	14.62
27	500170001	UH70110, UH70120	EXTENSION WAND	3.29



WINDTUNNEL
REWIND **T SERIES**

36

PART LISTING / PRICE LIST

ITEM	PART NUMBER	MODELS TO FIT	PART DESCRIPTION	LIST COST
28	521071001	UH70110, UH70120	CREVICE TOOL	.98
29	303205001	UH70110, UH70120	UPHOLSTERY TOOL	2.68
30	562269002	UH70110, UH70120	INLET TUBE SEAL	

MODEL No.

UH70110
UH70120



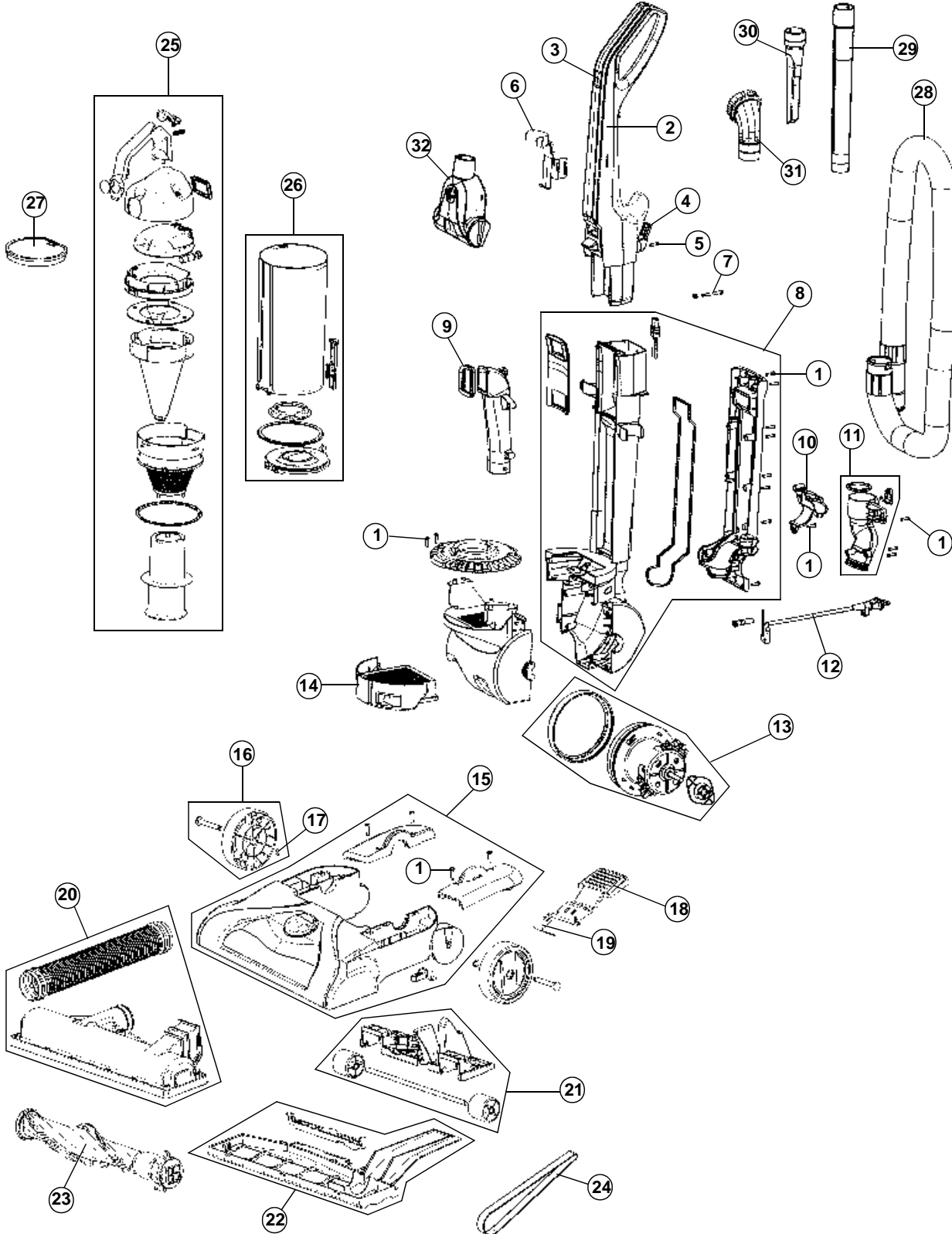
WINDTUNNEL

U SERIES

WINDTUNNEL
PURELY PET™

36

ASSEMBLY SCHEMATIC



MODEL NO.

UH70100
UH70105
UH70106
UH70107



WINDTUNNEL

ISERIES™

WINDTUNNEL
PURELY PET™



36

PART LISTING / PRICE LIST

MODEL No.

ITEM	PART NUMBER	MODELS TO FIT	PART DESCRIPTION	LIST COST
1	660021002	ALL	BODY SCREW - #8 X 6MM	.57
2	303846001	ALL	HANDLE ASSEMBLY - STRAIGHT / D STYLE SHADOW GRAY	PENDING
	304029001	UH70100	HANDLE ASSEMBLY - STRAIGHT / NON -D STYLE	
3	28218062	ALL	SWITCH	.92
4	521067001	ALL	UPPER CORD HOOK	
5	21447228	ALL	SCREW - CORD HOOK	.57
6	521025001	ALL	TURBO TOOL CLIP	.82
7	620893001	ALL	HANDLE SCREW	.20
8	304027001	ALL	MAIN BACK PANEL ASSEMBLY	
9	562269002	ALL	INLET TUBE SEAL	
10	521068001	ALL	HOSE / CORD WRAP - LOWER	
	521088001	UH70100	HOSE / CORD WRAP - LOWER	1.00
11	303832001	ALL	LOWER HOSE ADAPTOR ASSEMBLY	1.90
12	730738001	ALL	POWER CORD ASSEMBLY	
13	230272001	ALL	MOTOR ASSEMBLY - WITH GASKET / GROMMET	44.05
14	303172002	ALL	EXHAUST HEPA FILTER ASSEMBLY	10.00
	902404001	UH70100	CARBON EXHAUST FILTER	1.25
15	304028001	UH70100	NOZZLE BASE ASSEMBLY - LASER BLUE	
	304030001	UH70105	NOZZLE BASE ASSEMBLY - SLATE METALLIC	
	WAITING	UH70106	NOZZLE BASE ASSEMBLY - SEASIDE METALLIC	
	304030002	UH70107	NOZZLE BASE ASSEMBLY - WARM TITANIUM	
16	WAITING	ALL	REAR WHEEL ASSEMBLY	
17	691040002	ALL	E - CLIP	.88
18	521048001	ALL	HANDLE RELEASE PEDAL	1.20
19	633197001	ALL	HANDLE RELEASE PEDAL SPRING	.20
20	304024001	ALL	BRUSH ROLL HOUSING / LOWER HOSE ASMY	
21	303214001	ALL	ROLLER LIFTER ASSEMBLY	2.80
22	304026001	ALL	NOZZLE GUARD ASSEMBLY	
23	303202001	ALL	BRUSH ROLL ASSEMBLY	11.33
24	38528058	ALL	BELT - STRETCH	1.25
	AH20080	ALL	BELT - STRETCH 2 PACK	1.50 NON DISC
25	303833005	UH70100	DIRT CUP LID ASSEMBLY - LASER BLUE	28.35
	303833006	UH70105	DIRT CUP LID ASSEMBLY - SLATE METALLIC	28.35
	WAITING	UH70106	DIRT CUP LID ASSEMBLY - SEASIDE METALLIC	
	WAITING	UH70107	DIRT CUP LID ASSEMBLY - WARM TITANIUM	

UH70100
UH70105
UH70106
UH70107



W I N D T U N N E L

U SERIES

WINDTUNNEL
PURELY PET™



36

PART LISTING / PRICE LIST

ITEM	PART NUMBER	MODELS TO FIT	PART DESCRIPTION	LIST COST
26	304025002	ALL	DIRT CUP ASSEMBLY - LONG	16.67
27	303173001	ALL	PRIMARY FILTER	6.95
28	303203001	ALL	UPPER HOSE ASSEMBLY - 8'	
29	500170001	ALL	EXTENSION WAND	3.29
30	521071001	ALL	CREVICE TOOL	.98
	303303001	UH70100	UPHOLSTERY TOOL - PET	5.66
31	303205001	ALL	UPHOLSTERY TOOL	2.68
32	521025000	ALL	TURBO TOOL ASSEMBLY	14.62
	000977002	UH70100	TURBO TOOL ASSEMBLY - PET	16.87

MODEL No.

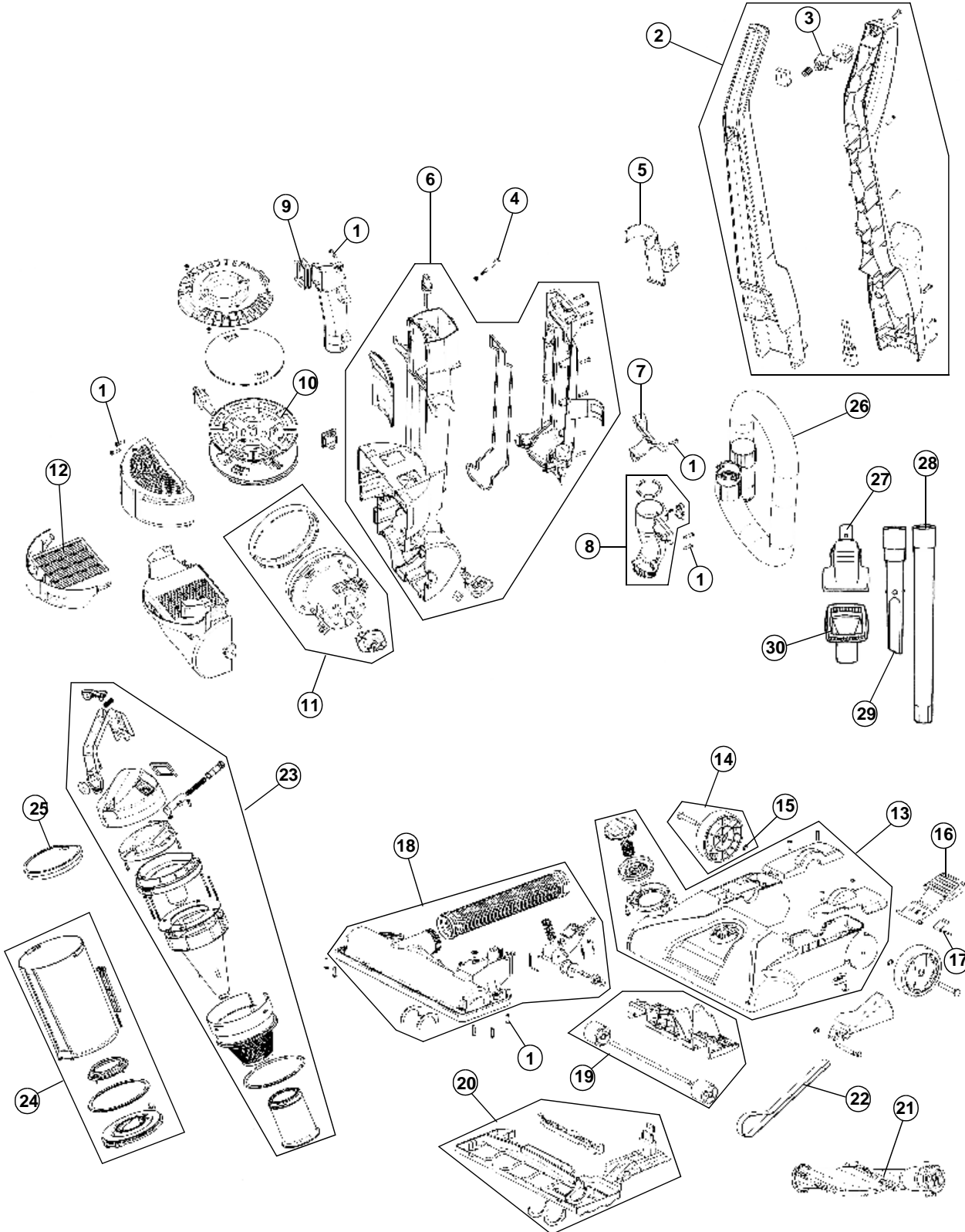
UH70100
UH70105
UH70106
UH70107



ASSEMBLY SCHEMATIC

MODEL NO.

UH70130





PART LISTING / PRICE LIST

MODEL No.

UH70130

ITEM	PART NUMBER	MODELS TO FIT	PART DESCRIPTION	LIST COST
1	660021002	UH70130	BODY SCREW - #8 x 6MM	.57
2	303846001	UH70130	HANDLE ASSEMBLY - STRAIGHT / D STYLE - SHADOW GRAY	PENDING
3	28218062	UH70130	SWITCH	.92
4	620893001	UH70130	HANDLE SCREW	.20
5	521025001	UH70130	TURBO TOOL CLIP	.82
6	303831001	UH70130	MAIN BACK PANEL ASSEMBLY	
7	521088001	UH70130	HOSE WRAP - LOWER	1.00
8	303832001	UH70130	LOWER HOSE ADAPTOR ASSEMBLY	1.90
9	562269002	UH70130	INLET TUBE SEAL	
10	303238002	UH70130	CORD REWIND ASSEMBLY	37.13
11	230272001	UH70130	MOTOR ASSEMBLY - WITH GASKET / GROMMET	44.05
12	303172002	UH70130	EXHAUST HEPA FILTER ASSEMBLY	10.00
13	WAITING	UH70130	NOZZLE BASE ASSEMBLY - WARM TITANIUM METALLIC	
14	WAITING	UH70130	REAR WHEEL ASSEMBLY	
15	691040002	UH70130	E - CLIP	.88
16	521048001	UH70130	HANDLE RELEASE PEDAL	1.20
17	633197001	UH70130	HANDLE RELEASE PEDAL SPRING	.20
18	303828001	UH70130	BRUSH ROLL HOUSING / LOWER HOSE ASMY	15.53
19	303214001	UH70130	ROLLER LIFTER ASSEMBLY	2.80
20	303829001	UH70130	NOZZLE GUARD ASSEMBLY	6.19
21	303280001	UH70130	BRUSH ROLL ASSEMBLY	11.33
22	562289001	UH70130	BELT - CLOTH	3.47
	AH20065	UH70130	BELT - CLOTH 2 PACK	1.50 NON DISC
23	303833007	UH70130	DIRT CUP LID ASSEMBLY - WARM TITANIUM METALLIC	28.35
24	304025001	UH70130	DIRT CUP ASSEMBLY - SHORT	14.40
25	303173001	UH70130	PRIMARY FILTER	6.95
26	303203001	UH70130	UPPER HOSE ASSEMBLY - 8'	
27	521025000	UH70130	TURBO TOOL ASSEMBLY	14.62
28	500170001	UH70130	EXTENSION WAND	3.29
29	521071001	UH70130	CREVICE TOOL	.98
30	303205001	UH70130	UPHOLSTERY TOOL	2.68