

# HOOVER

Steamjet  
COMPACT

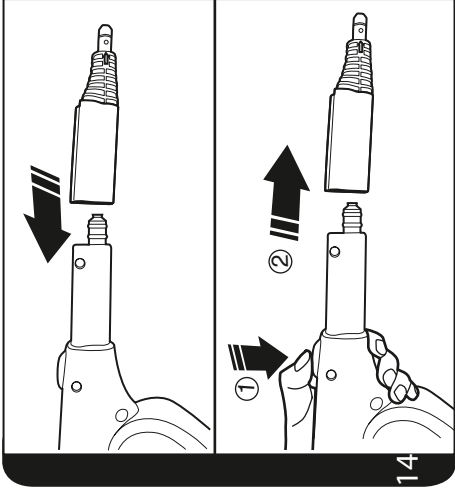


## INSTRUCTION MANUAL

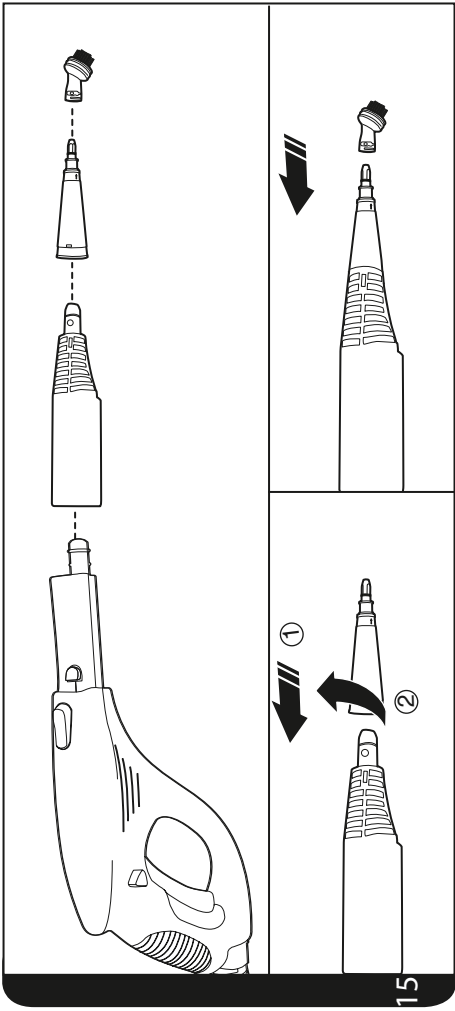
ENGLISH GB  
FRANÇAIS FR  
DEUTSCH DE  
ITALIANO IT  
NEDERLANDS NL  
PORTUGUÉS PT  
ESPAÑOL ES  
DANSK DK  
NORSK NO  
SVENSKA SE  
SUOMI FI  
ΕΛΛΗΝΙΚΑ GR  
РУССКИЙ RU  
PÓLSKI PL  
ČESKY CZ  
SLOVENČINA SI  
TÜRKÇE TR



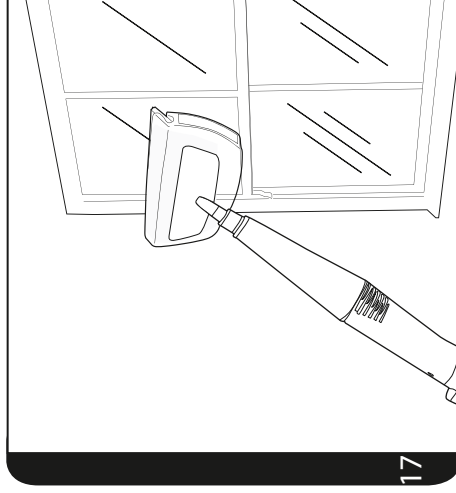
GENERATION FUTURE



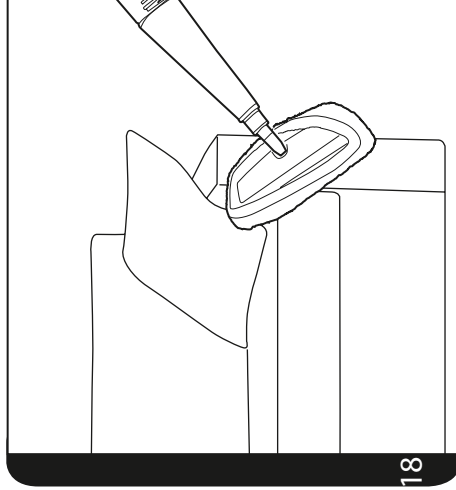
13



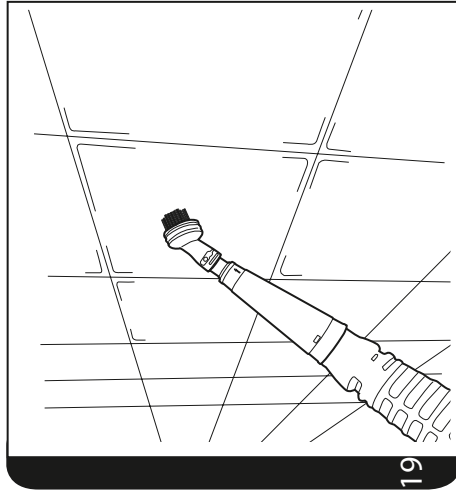
15



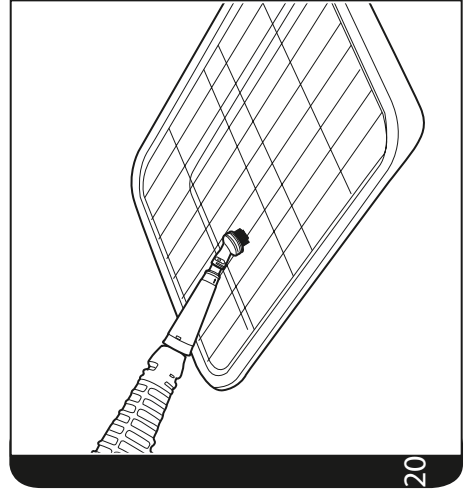
16



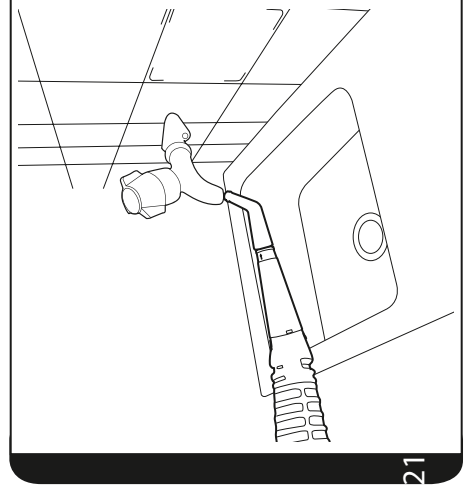
17



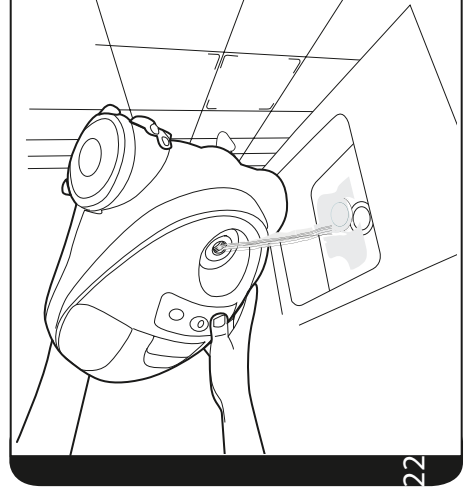
18



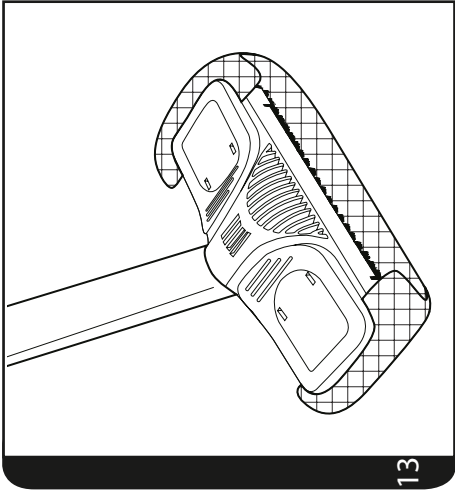
19



20



21



22

## IMPORTANT SAFETY REMINDERS

This cleaner should only be used for domestic cleaning, as described in this user guide. Please ensure that this guide is fully understood before operating the appliance. Use only attachments recommended or supplied by HOOVER.

When using cleaning tools ensure to always steady the product with your other hand. This will ensure the product does not fall while in use.

**WARNING:** Danger of scalding. This product is very hot when used. Avoid any contact with steam.

**WARNING:** Electricity can be extremely dangerous. **This appliance must be earthed. This plug is fitted with a 13 AMP FUSE (UK ONLY).**

**IMPORTANT:** The wires in the mains power cord are coloured in accordance with the following code: **Blue – Neutral** Brown – Live

**AFTER USE:** Switch the cleaner off and remove the plug from the electricity supply. Always switch off and remove the plug before cleaning the appliance or attempting any maintenance task.

## SAFETY WITH CHILDREN, ELDERLY OR THE INFIRM:

This appliance can be used by children aged from 8 years and above and persons with reduced physical, sensory or mental capabilities or lack of experience and knowledge if they have been given supervision or instruction concerning use of the appliance in a safe way and understand the hazards involved. Children shall not play with the appliance. Cleaning and user maintenance shall not be made by children without supervision.

**HOOVER SERVICE:** To ensure the continued safe and efficient operation of this appliance we recommend that any servicing or repairs are only carried out by an authorised HOOVER service engineer.

## IT IS IMPORTANT THAT YOU DO NOT:

- Leave the cleaner unattended while switched on.
- Unplug by pulling on the cord.
- Handle the plug or product with wet hands.
- Use detergents or liquids other than water inside the product.
- Direct steam towards equipment containing electrical components, such as the interior of ovens.
- Put the cleaner in water or other liquids.
- Position the cleaner above you when cleaning the stairs.
- Use your cleaner out of doors.
- Spray with or pick up flammable liquids, cleaning fluids, aerosols or their vapours as

this may cause risk of fire / explosion.

- Stand on or wrap the power cord around arms or legs when using the cleaner.
- Use the appliance to clean or direct steam towards people, animals or plants.
- Continue to use your cleaner if it appears to be faulty. If the power cord is damaged stop using the cleaner IMMEDIATELY. To avoid a safety hazard, an authorised HOOVER service engineer must replace the power cord.

## GETTING TO KNOW YOUR CLEANER

- A. On Indicator Light (Metallic Red)
- B. Steam Ready Indicator Light (Green)
- C. On/Off Button
- D. Water Tank Lid
- E. Carry Handle
- F. Cleaner Main Body
- G. Connector Cover
- H. Crest
- I. Extension Tubes (3 pcs)
- J. Floor Head
- K. Floor Head Cloth (x1)
- L. Floor Head Connector
- M. Cloth Mounting (X1)
- N. Window Squeegee / Upholstery Tool
- O1. Large Round Brush
- O2. Angled Nozzle
- O3. Small Round Brush
- P. Conic Tool
- Q. Concentration Nozzle
- R1. Funnel
- R2. Measuring Jug
- S. Steam Handle
- T. Hose
- U. Steam Trigger
- V. Safety Latch
- W. Extension tube release latch

## ASSEMBLING YOUR CLEANER

Remove all components from the packaging.

1. Attach the hose to the main body of the cleaner. [2]
2. Attach the extension tube to the hose handle. Connect the other extension tubes together. [3]
3. Attach the floor head connector to the floor head. Rotate the connector in place. [4]
4. Attach the extension tubes to the connector until it clicks in place. [5]
5. Ensure the handle safety latch is locked. [6]

**NOTE:** To remove the extension tube from the handle or the floor head from the tubes, press the release latch and pull apart.

## USING YOUR CLEANER

### BEFORE YOU BEGIN CLEANING

1. Remove the clean water lid by pushing down and turning anti-clockwise. [7]
2. Fill the measuring jug no more than the Max fill line.
3. Insert the funnel into the water tank and fill the unit with water. [8]
4. Replace the lid by pushing down and turning clockwise.
5. Ensure the handle safety latch is locked. [6]

**IMPORTANT:** Always unplug the cleaner and press the steam release trigger to release any remaining steam pressure before adding water.

### Steam cleaning hard floors

1. Ensure the floor head is connected to the extension tube.
2. Plug the steam cleaner into the main power and switch on. The red ON light will illuminate. [9]
3. After a few minutes the green Steam Ready light will illuminate indicating the cleaner is ready for use.
4. Release the steam handle safety latch. [10]
5. To produce steam press the Steam Trigger Button. [11]
6. Move the cleaner slowly backwards and forwards paying particular attention to high traffic areas.

### Refreshing carpets

**IMPORTANT:** Always unplug the cleaner and press the steam release trigger to release any remaining steam pressure before adding water or changing a textile pad or accessory tool.

1. Place the floor head onto the floor cloth. [12]
2. Lift the levers on either side of the floor head to secure each end of the floor cloth in place. [13]
3. Repeat steps 2-6 as detailed above.

## ACCESSORIES

1. Ensure the handle safety latch is locked. [6]
2. To attach the concentration nozzle push onto the handle/extension tube until it clicks in place. [14]
3. Push the desired small tool onto the conic tool and concentration tool aligning the arrows. [15]
4. Twist clockwise to secure in place. [15]
5. Plug the steam cleaner into the main power and switch on. The red ON light will illuminate. [9]
6. After a few seconds the green Steam Ready light will illuminate indicating the cleaner is ready for use.
7. Release the steam handle safety latch. [10]
8. To produce steam press the Steam Trigger Button. [11]

**NOTE:** The conic tool must be attached before fitting any other small tools.

### Conic tool

Use on heavily soiled areas such as showers, kitchens. [16]

### Window squeegee

Use on windows and mirrors for a smear free clean. [17]

### Upholstery Tool

Use the upholstery cloth over the window tool for use on sofas and chair fabrics. [18]

### Large Round Brush

Use on stubborn grease and grime. [19]

### Small Round Brush

For oven grills and racks. [20]

### Angled Nozzle

For hard to reach areas such as taps etc. [21]

**IMPORTANT:** Always unplug the cleaner when adding water, changing a textile pad or accessory tool.

## CLEANER MAINTENANCE

**IMPORTANT: ALWAYS ENSURE THE CLEANER HAS FULLY COOLED DOWN BEFORE PERFORMING ANY MAINTENANCE TASKS.**

### Empty the water tank

1. Unplug the cleaner from the main power and ensure the unit has cooled.
2. Hold the steam trigger down to release any remaining steam pressure. [11]
3. Put the steam handle safety latch on. [6]
4. Remove the clean water lid by pushing down and turning anti-clockwise. [7]
5. Lift the cleaner and empty any remaining water. [22]

### Removing and cleaning the textile pad

1. Unplug the cleaner from the main power and ensure the unit has cooled.
2. Remove the cleaning cloths from floor head or window tool.
3. Wash the cleaning cloths by hand or machine with a mild detergent at max temperature 30°C.

**IMPORTANT:** Do not use bleach or fabric softener when washing the textile pad.

## TROUBLESHOOTING

Should you have a problem with the product, complete this simple user checklist before calling your local HOOVER service.

- The steam cleaner will not switch on.
- Check the unit is plugged in.
- Check the power cord

The product is not producing steam.

- Check the unit is switched on.
- There may be no water in the water tank.
- The safety latch may be locked. If so unlock the safety latch.
- The water is not at the correct temperature. The green light will illuminate when ready.

The cleaner is taking a long time to heat up.

- If you live in a hard water area the water tank may have become blocked. The unit will have to be descaled.

The cleaning cloth won't pick up dirt.

- The cleaning pad may already be saturated with dirt and needs to be washed. Refer to the Maintenance section.

## IMPORTANT INFORMATION

### Hoover Service

Should you require service at any time, please contact your local Hoover Service office.

### Quality

Hoover's factories have been independently assessed for quality. Our products are made using a quality system which meets the requirements of ISO 9001

### The Environment:

This appliance is marked according to the European Directive 2011/65/EC on Waste Electrical and Electronic Equipment (WEEE). By ensuring this product is disposed of correctly you will help prevent potential negative consequences for the environment and human health, which could otherwise be caused by inappropriate waste handling of this product.

The symbol on the product indicates that this product may not be treated as household waste. Instead it shall be handed over to the appliance collection point for recycling of electrical and electronic equipment. Disposal must be carried out in accordance with the local environmental regulations for waste disposal. For more detailed information about treatment, recovery and recycling of this product, please contact your local council, your household waste disposal service or the shop where you purchased the product.



This product complies with the European Directives 2006/95/EC, 2004/108/EC and 2011/65/EC.

HOOVER Limited Pentrebach, Merthyr Tydfil, Mid Glamorgan CF48 4TU

### Your Guarantee

The guarantee conditions for this appliance are as defined by our representative in the country in which it is sold. Details regarding these conditions can be obtained from the dealer from whom the appliance was purchased. The bill of sale or receipt must be produced when making any claim under the terms of this guarantee. Subject to change without notice.