

User Manual



GENERATION FUTURE



IRONspeed

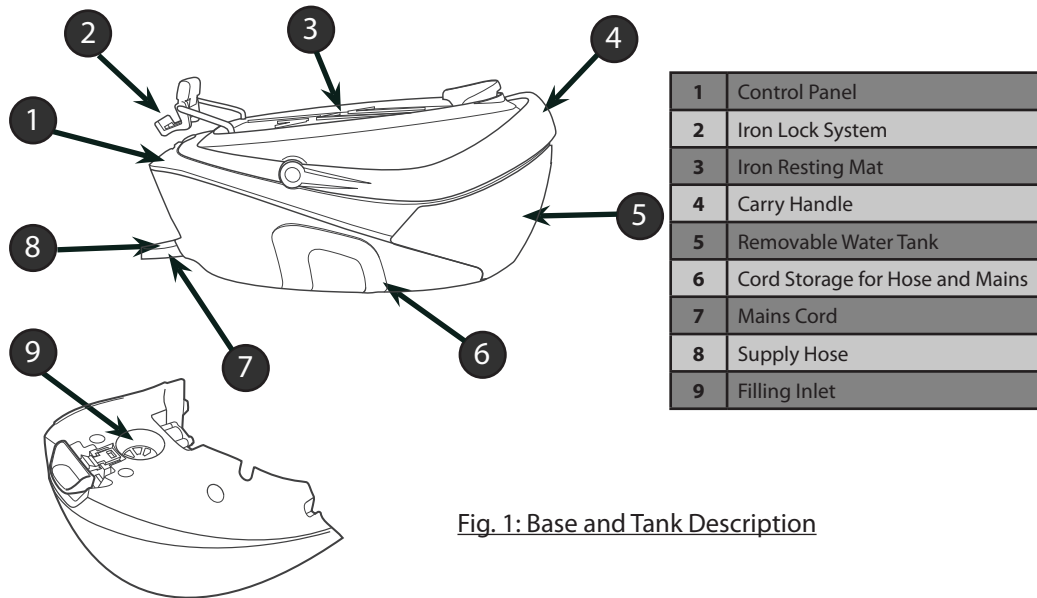


Fig. 1: Base and Tank Description

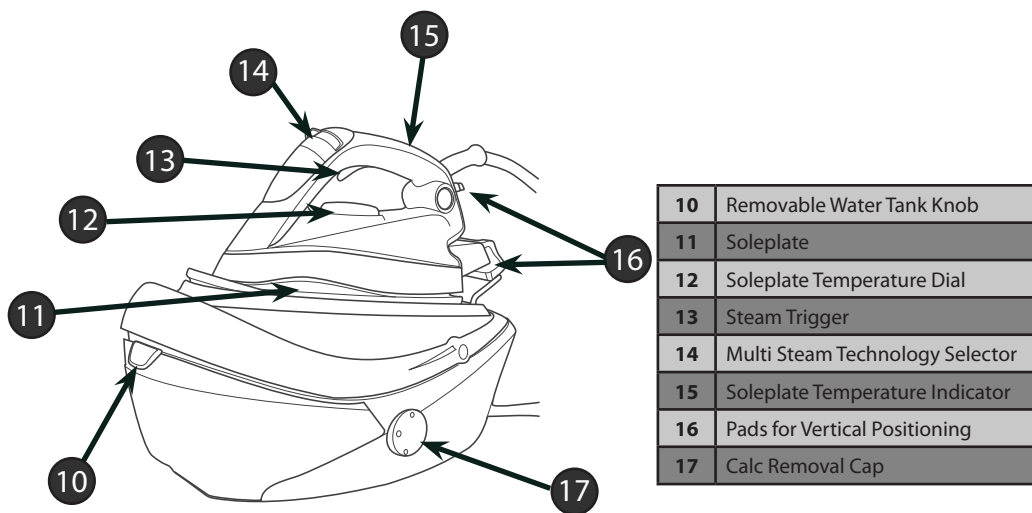
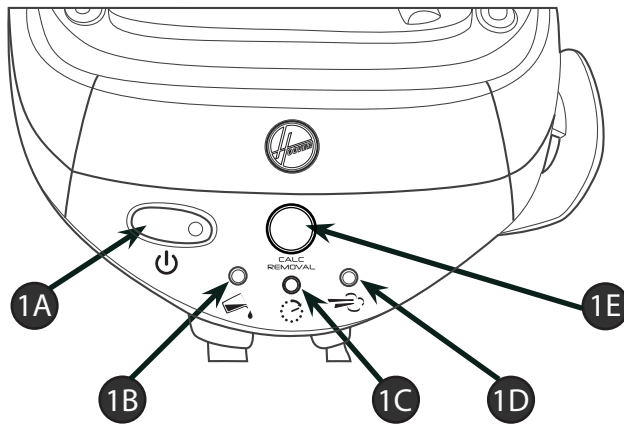
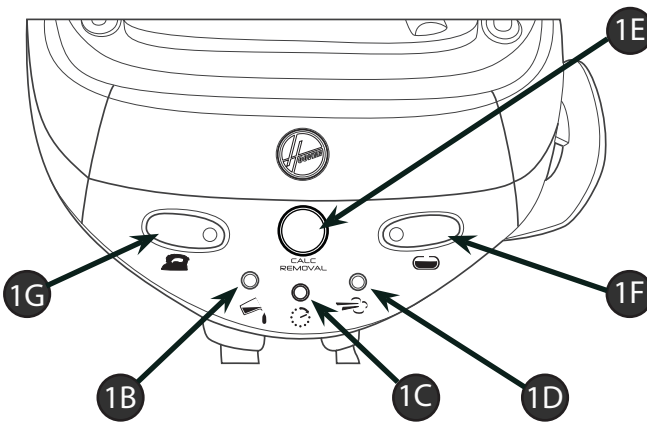


Fig. 2: Domestic Iron Description



1A	On/Off Iron with Power-On Light
1B	"Water Tank Empty" Light
1C	"Automatic Shut-Off" Light
1D	"Steam Ready" Light
1E	Boiler Rinse Indicator and Reset

Fig. 3: Domestic Iron Control Panel

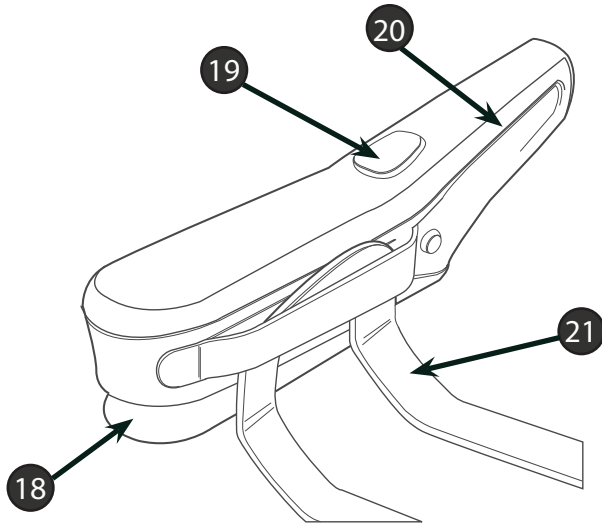


1F	On/Off Boiler with Power-On Light
1G	On/Off Iron with Power-On Light

Fig. 4: Pro Iron Control Panel

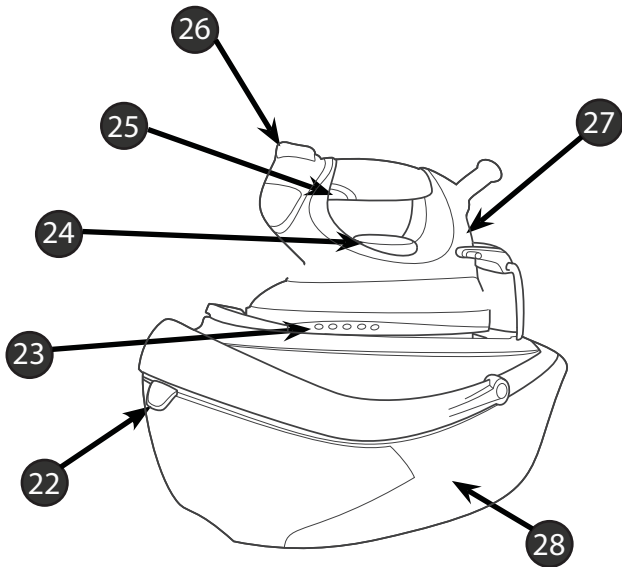
2 - GB





18	Bristles
19	Steam Trigger
20	Comfort Handle
21	Professional Brush Support and Cord Storage

Fig. 5: Professional Steam Brush



22	Removable Water Tank Knob
23	Soleplate
24	Soleplate Temperature Dial
25	Steam Trigger and Steam Trigger Lock
26	Multi Steam Technology Selector
27	Soleplate Temperature Indicator
28	Calc Removal Cap

Fig. 6: Pro Iron Description



Introduction

Dear customer,

First of all, we would like to congratulate you for purchasing this Hoover ironing system and to thank you for the confidence you have in Hoover brand.

This appliance has been manufactured with great care, respecting all of our quality criteria and has been tested several times. We hope its use will fulfil your expectations. We are strongly convinced that it will make your ironing much faster and better.

Before using your new Hoover appliance, please read carefully this user's manual. If you need further information or if you encounter any trouble which are not noticed in this manual, please contact the after-sales service or your standard dealer.

Important Safety Instructions

Read this user manual carefully before you first use and save it for future reference.

- This product has been designed for domestic use only. In case of any commercial use, inappropriate use or failure to comply with the instructions, the manufacturer is not responsible and the guarantee will not apply.
- Before connecting your appliance, check if the main voltage is the same as the voltage indicated on your appliance and that the power outlet is connected to the earth.
- Ensure before each use that the electric cord or any other important part is not damaged.
- This appliance is not intended to for use by children or persons with reduced physical, sensory or mental capabilities, unless they are adequately supervised in its operation and use by an adult responsible for their safety.
- Children should be supervised to ensure that they do not play with the appliance.
- The iron must be used and placed on a flat and stable surface. When you replace the iron on its stand, make sure that the surface on which you place it is stable.
- Never direct the steam towards persons or animals. Never direct the steam jet towards any other electrical or/and electronic appliances.
- Don't use the appliance if it has fallen down, or if the appliance shows evidence of breakdown, malfunction, leakages. Please make it check by an authorized Service Centre to avoid any danger.
- Always make sure the appliance is switched off, unplugged and cooled down before doing any maintenance work.
- Never leave the appliance unattended when plugged in and before it has cooled down.
- Do not unplug the appliance by pulling on the cord or on the appliance.
- Never immerse the iron, the stand, the cable or the plugs in water. Never hold them under the water tap.
- The soleplate of the iron can become extremely hot and may cause burns if touched. Never touch the electric cords with the soleplate.
- If the supply cord is damaged, it must be replaced by the manufacturer, service agent or similarly qualified persons in order to avoid a hazard.



Chapter 1.1 - Control Panel

On/off switch (1A): A light on the switch will light on to indicate you that the appliance is switched on (Only models with domestic iron).

On/off iron (1G): By switching it on, the iron soleplate will start to heat up. Recommended for dry ironing session. (only with professional iron).

On/off boiler (1F): By switching it on, the boiler will start to heat up. Please note that iron switch (1G) needs to be switched on for heating up the boiler (only with professional iron).

When the appliance is switched on and "Steam ready" light (1D) is off, it means that steam is ready. You can press the steam trigger and steam will escape from the soleplate. Please note that during use, the light goes on from time to time but you can continue steam ironing without encountering any difficulties.



"Water tank empty" light (1B) is on: There is no more water in the tank. Please refill the tank following the instructions of chapter 2.2

CALC
REMOVAL



"Rinse indicator" light (1E) is on: You should rinse the boiler in order to avoid deposit of scale. Please refer to chapter 4.2 for further instructions. (only models: SRD 4106, SRD 4108, SRD 4110, SRP 4105)



Auto shut-off" light (1C) is on: After 10mn of non-use of steam, the boiler and the iron start cooling down. In order to restart ironing, switch off then on the main switch (1A). You will need to wait a little bit steam is ready before restarting ironing. Please refer to the steam ready led paragraph for more detail. (only models: SRD 4108, SRD 4110)

Chapter 1.2 - Lock System

In order to facilitate the carrying and the storage of your ironing system, your appliance is designed with a lock system (2). This system blocks the iron on the upper tray. It's therefore very easy to move and store the appliance. Please follow the underneath indications in order to lock correctly your iron on the resting mat (3).

5 - GB



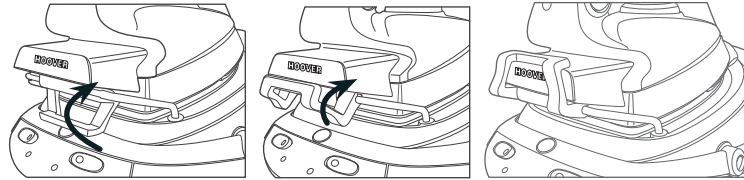


Fig. 7: Domestic Iron Lock System

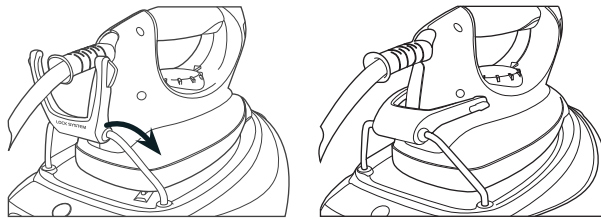


Fig. 8: Pro Iron Lock System

To unlock it, do the opposite of the instructions.

Warning: Do not carry your appliance by the iron. Use the designed handle (4).

Chapter 1.3 - Carry Handle

Your steam generator is equipped with an ergonomic carry handle (4) that will allow you to comfortably transport your appliance when required.

Before using it, be sure that the iron is blocked on the iron resting mat (3). If not, follow the requested instructions in chapter 1.2. Don't forget also to store the cable on the dedicated cord storage (6) for hose and mains. Please also ensure that the water tank is empty.

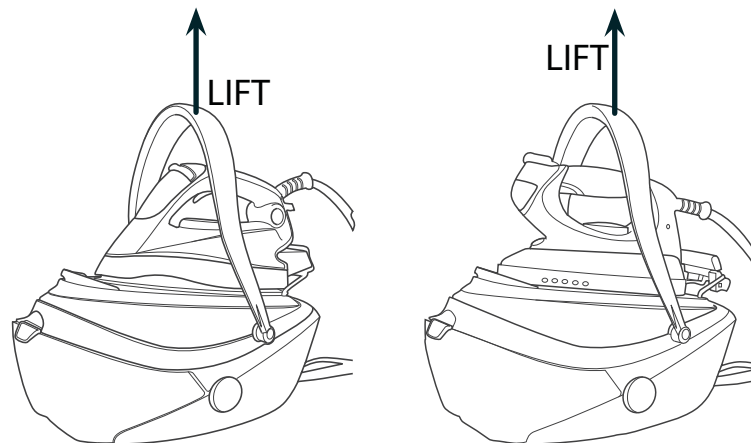
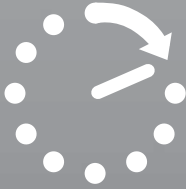


Fig. 9: Carry Handle Graphic





Chapter 1.4 - Auto Shut-Off



For your support, in the appliance is implemented a switch that automatically goes off if the appliance is not used for 10 minutes.

In order to inform you of the situation you will hear a buzzer sound and the auto shut-off light (1C) will light on.

To reactivate your appliance, switch off then on the main switch (1A) and wait that the steam ready led (1D) lights off.

Chapter 2: Preperation for Use

Due to the powerful output of steam, Hoover recommends the use of an active ironing board with blowing and vacuuming function which allows escape of any excess steam.

Place the ironing system on a stable and level surface, for example on the hard part of an ironing board or on a heat-resistant surface.

Chapter 2.1 - What Kind of Water May be Used?

The Hoover ironing system has been designed to be used with tap water only. There is no need to use distilled or pure distilled water. Nevertheless, in case your water is very hard, you can mix 50% of distilled water with 50% of tap water. Do not use any other kind of water or do not add any contents in the removable water tank as it can damage your appliance.

Chapter 2.2 - Filling the Water Tank

Remove the water tank (5) from the stand by pressing the water tank knob (10). Fill it with tap water. Do not exceed the max mark. Replace the tank at its original place.

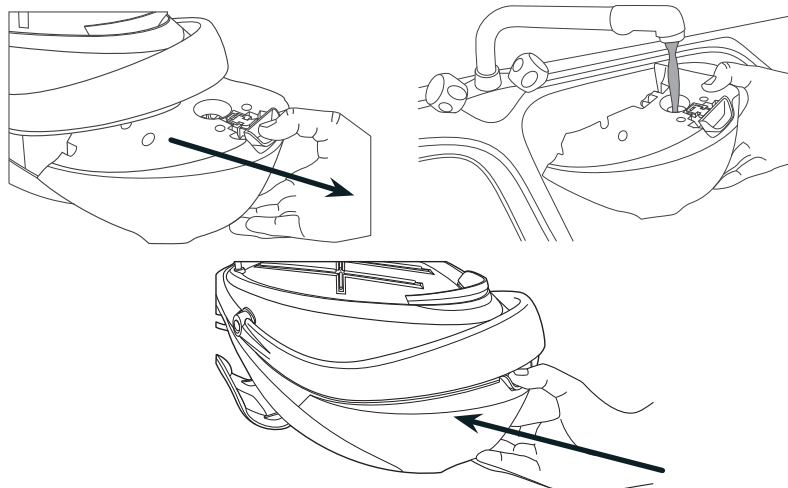


Fig.10: Water Tank Filling Graphic



Warning: Do not put any vinegar, hot water, perfume, or any other kind of chemical agents or any other contents in the water tank. It could damage the steam generator and shorten its life use.

Chapter 2.3 - Switching on the Appliance

Domestic Iron Models:

Connect the appliance with the mains cord to the earthed socket. Press on the on/off switch. The light of the on/off switch (1a) will switch on and inform you that the appliance is running on and that the boiler is heating up.

After approximately 2 minutes, the "steam ready" led will light off informing you that you can start using steam.

Professional Iron Models:

Connect the appliance with the main cord to the earthed socket. Press the iron on/off switch (1g) and the boiler on/off switch (1f). The lights of both switches should turned up and inform you that the appliance is running on. The iron soleplate and the boiler are heating up.

N.B.

The first time the appliance is used, some fumes and smell should appear. It's quite normal and will disappear quickly.

Chapter 3: Using Your Steam Generator

Chapter 3.1 - Regulating the Soleplate Temperature



Select the temperature of the soleplate by turning the dial (12) on the iron to the desired position. Wait a few moments until the temperature indicator (15) is off. It will indicate you that the soleplate has reached the requested temperature.

While ironing, the temperature dial indicator turns on and off, as the temperature adjusts without interrupting ironing.

Help:

To know the best suitable temperature for each textile, check the laundry care label of the article to be ironed. Please note that during use, the temperature light goes on from time to time. It signifies that the iron is heating up to the set temperature.

If a fabric is made with various kinds of fibres always select the soleplate temperature in adequacy with the most delicate one.

If you select a lower temperature while ironing, wait until the iron has cooled down to the set temperature before you continue ironing.

*If the temperature is too low, some drops of water could escape from the soleplate. Please raise up the temperature above the 2 dots (**) to avoid this issue*



Chapter 3.2 - Ironing

Dry Ironing

Domestic Iron Models:

Select the temperature of the soleplate following the indications of chapter 3.1. Start your ironing without pressing the steam trigger (13), when the soleplate reaches the appropriate temperature.

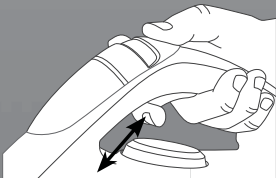
Professional iron models:

Switch on only the iron switch (1g). Select the temperature of the soleplate following the indications of chapter 3.1. Start your ironing when the soleplate reaches the appropriate temperature.

Steam Ironing

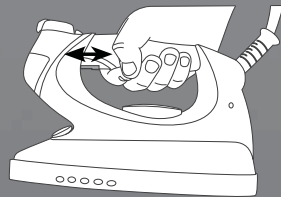
Select the temperature of the soleplate following the indications of chapter 3.1. On the stand, when the steam will be ready to be used, the dedicated lamp (1d) will light off. Starting from that time you can begin your ironing and press the steam trigger (13) for having steam. The steam flow stops when you release the trigger.

You have the possibility to regulate the steam flow with the Multi- Steam Technology selector (14) in order to achieve the best results. Please refer to the dedicated chapter 3.3 for more information.



Only Professional Iron Models:

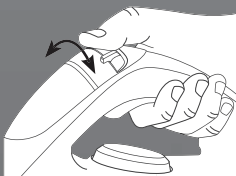
Steam lock function: The steam lock allows you to steam iron without pressing the steam trigger. Steam will therefore escape continuously. To activate or deactivate the steam lock, slide forwards or backwards the steam lock (26).



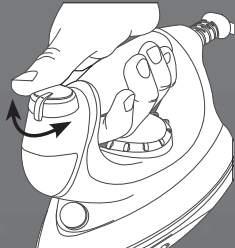
N.B.

During the use, you should hear some noise coming from your steam generator. It's totally normal. It signifies that a pump injects water into the boiler. It's better to avoid using the steam trigger at this precise moment to avoid pressure falls.

Chapter 3.3 - How to Choose the Correct Soleplate Temperature and Steam?



For obtaining the best results, it is really important to set perfectly the temperature of the soleplate and the steam flow you are using. Your Hoover appliance has a unique Multi-Steam Selector selector (14) which will provide outstanding results if correctly use and will simplify your ironing, making it easier and faster.



Thanks to this innovative Multi-Steam Technology implemented in the appliance, you can use steam on mainly all textiles having the best results ever. You have the choice between 3 preset settings: Diffuse caress, Profound care and Precise power. Each setting will adapt the power, the humidity and the direction of the steam flow and therefore the steam flow will be adapted in adequacy with the ironed textile.

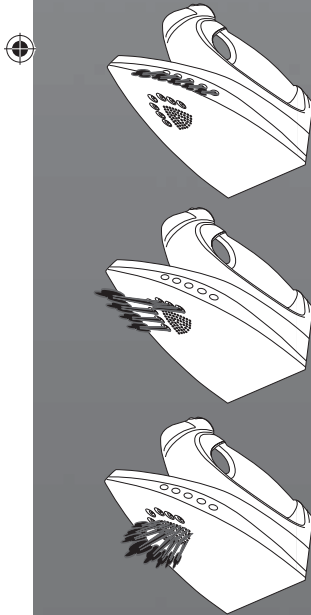
9 - GB





Here are the suggestions to obtain the best results:

Textile	Steam Type	Soleplate T°C
Wrinkled Textiles	Precise Power	•••/Max
Tricky Zone	Precise Power	••/•••
Jeans	Profound Care	Max
Cotton	Profound Care	•••
Linen	Profound Care	Max
Starched Clothes	Profound Care	•••
Velvet/Alcantara	Profound Care	••
Wool	Profound Care	••
Silk	Diffuse Caresse	••
Cashmere	Diffuse Caresse	••
Rayon	Diffuse Caresse	••
Polyester	No	•
Nylon	No	•
Acrylic	No	•
Lycra	No	•
Polyamid	No	•



Diffuse Caresse

This steam flow is dedicated to iron with great care the most delicate textiles like silk and cashmere with a soft and delicate flow. A reduced steam flow is spread carefully in front of the iron on a large part of textile. Fibres are better loosened in order to take away delicately and faster all the creases.

Precise Power

The flow is directed towards the tip. It permits to access the most difficult zones, like buttons, sleeves and loops through the concentrated flow in the tip and offers a constant, concentrated and powerful sprout. Difficult zones are better humidified and hence creases removed faster.

Profound Care

This vertical steam flow allows removing more easily and quickly the wrinkles on all textiles with a strong and humid jet. Steam impregnates better the fibres and the large soleplate dries the textile. Wrinkles are therefore removed faster.

Help

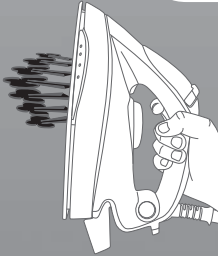
When steam ironing clothes on which shiny patches may occur, we recommend you to set the soleplate temperature to a lower temperature or to iron the garment on the reverse.

Start with the fabrics that needed to be ironed at a lower temperature (•) and finish with those that needed to be ironed at the higher temperature (•••/Max).





Chapter 3.4 - Vertical Steam Ironing



Set the soleplate temperature (12) to the max temperature and set the Multi-Steam Technology selector (14) to the Profound care program.

Hang curtains and clothes (jackets, suits, coats). Hold the iron in vertical position at a short distance of the fabric to avoid burning it. Press the steam trigger (13) to steam iron moving it from top to bottom.

Warning: Do not direct the steam jet towards people or animals.

Chapter 3.5 - Refilling the Water Tank During Usage

You can fill the water tank at any time during use.

When the water tank is empty, the "Empty water tank" light (1b) is on. No more steam escapes from the soleplate and steam ironing is no longer possible.

Remove the tank from the stand by pressing the tank knob (10). Refill the water tank without exceeding the max mark level. Replace the water tank at its original place. You can restart ironing immediately.

Please refer to chapter 2.2 for more detailed instructions.

Chapter 3.6 - Professional Steam Brush (only SRD4110)

The professional steam brush attached on your ironing system can be used to iron in a vertical position to easily remove creases on delicate textiles, remove odours such as smoke from textiles and refresh worn garments.

Before using the steam brush, ensure that the ironing system is filled with water. Switch on the appliance and when the steam ready LED lights up, the steam brush is ready to use. Press the steam button on the brush to start cleaning.

Warning: Do not direct the steam jet towards people or animals.

Chapter 4: Maintenance and Cleaning

All the maintenance and cleaning operations have to be done when the unplugged appliance has cooled down for at least 2 hours, to prevent any risk of burns.

Chapter 4.1 - Cleaning the Appliance

Do not use any detergent or descaling products for cleaning the soleplate. Regularly clean it with a humid and a non-abrasive cleaner.

To clean the plastic parts of the stand, please use soft clothes.



Chapter 4.2 - Rinsing the Boiler for Scale Maintenance

In order to extend the life of your appliance, you should rinse the boiler to avoid scale deposit in the boiler. You should rinse it every 2 months or on models SRD 4106, SRD 4108, SRD 4110 and SRP 4105 wait that the "rinse" light (1e) flashes.

Models with "Rinse" Light

When the rinse light (1e) flashes, you should continue your ironing session normally. Only remember to clean the boiler before use next time you plan to iron. Proceed as followed:

Before going on, be sure that the appliance is cooled down and unplugged for at least 2 hours.

Place the stand on the edge of your sink and place the iron on a flat surface. Remove the calc removal cap (10). Unscrew the boiler rinse safety cap anti-clockwise with a coin and remove it. Fill the boiler with 0,2 litres of tap water using a bottle and a funnel. Shake the stand and then empty the boiler completely, filing out the water in the sink. We recommend repeating this operation twice. Screw the boiler rinse safety cap with a coin and put back the calc removal cap (10).

Next time you will plug and switch on your appliance, the rinse light (1e) will continue flashing. Reset the appliance by pressing the rinse indicator and you can start your ironing session immediately.

Models Without "Rinse" Light

Before proceeding, be sure that the appliance is cooled down and unplugged for at least 2 hours.

Place the stand on the edge of your sink and place the iron on a flat surface. Remove the calc removal cap (17). Unscrew the boiler rinse safety cap anti-clockwise with a coin and remove it. Fill the boiler with 0,2 litres of tap water using a bottle and a funnel. Shake the stand and then empty the boiler completely, filing out the water in the sink. We recommend repeating this operation twice. Screw the boiler rinse safety cap with a coin and put back the calc removal cap (17).

In any case, do not use any descaling products to clean or rinse the boiler.

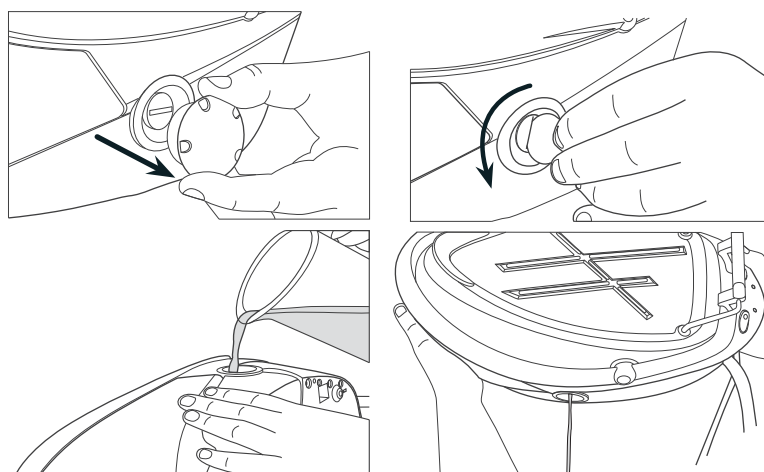
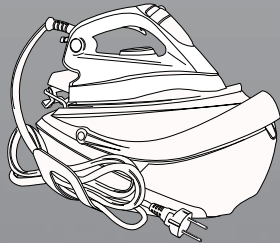


Fig. 11: Cleaning Operation



Chapter 4.3 - Storage



Put the iron on the heat-resistant iron-resting mat (3).

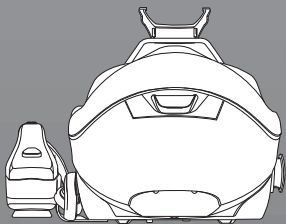
Switch off the appliance and unplug it.

Empty the water tank.

Wait at least 30 minutes allowing the soleplate and the generator to cool down.

Lock the iron thanks to the iron lock system (2). Please report to the dedicated chapter 1.2 for further instructions.

Store both steam and electrical cables in the cord storage feature (6).



For model SRD 41110, put the anti-wrinkles brush on its support and put the cable in its storage.

Use the handle (4) in order to carry the appliance by following the requested instructions of chapter 1.3.

Then you can take away your appliance in order to store it safely and easily.





Troubleshooting

Problem	Cause	Solution
The appliance does not become hot	There is a connection problem	Check the mains cord, the plug and the wall socket
	The appliance is not switched on	Press on the on/off switch
	The soleplate temperature is too low	Set a higher temperature of the soleplate
The appliance does not produce steam	The appliance is not switched on	Press on the on/off switch
	The boiler has not yet heated up	Wait a few moments until the steam ready LED is off
	The water tank may be empty	Refill the water tank
	You are not pressing the steam trigger	Press the steam trigger
	The soleplate temperature is set to the maximum	It works but steam is not visible as very hot and dry
Steam escapes from the calc removal cap when ironing	The calc removal valve is not tightened enough	Switch off the appliance and let it cool down. Remove the calc removal cap and tighten the valve correctly
	The anti-scale valve is damaged	Contact your after sales service
The empty water tank LED is on	There is no more water in the tank	Refill the water tank with water
The soleplates becomes dirty or brown	There should be chemical or additives in the water used for ironing	Never use any chemical or additives in the water. Contact your after sales service if the linen is still dirty
	The linen is still dirty	Clean the soleplate with a non-metallic sponge
Water stripes appear on the textile	Your ironing board cover is saturated in water	Change the cover or use a mesh ironing board
Some scale deposit appears on the soleplate	Your boiler has not been rinsed for a while	Follow the indications in the appropriate chapter





Important Information

Hoover spares and Consumables

Always replace parts with genuine Hoover spares. These are available from your local Hoover dealer or direct from Hoover. When ordering spare parts, always check your model number.

Hoover Service

Should you require service at any time, please contact your local Hoover Service Office. Please see all the contact details below.

Safety

Hoover believes that independent approval is the best way of demonstrating safety in design and manufacture. "Istituto del Marchio di Qualità" (IMQ), the independent Italian national authority for the safety of domestic electrical appliances, ensures that European safety standards are met and maintained throughout the production life of an appliance. All appliances that pass the requirements are permitted to carry the IMQ mark of safety.

Quality

ISO 9001

Hoover's factories have been independently assessed for quality. Our products are made using a quality system which meets the requirements of ISO 9001

The Environment

This appliance is marked according to the European Directive 2002/96/EC on Waste Electrical and Electronic Equipment (WEEE).

By ensuring this product is disposed of correctly you will help prevent potential negative consequences for the environment and human health, which could otherwise be caused by inappropriate waste handling of this product.

The symbol on the product indicates that this product may not be treated as household waste. Instead it shall be handed over to the appliance collection point for recycling of electrical and electronic equipment.

Disposal must be carried out in accordance with the local environmental regulations for waste disposal.

For more detailed information about treatment, recovery and recycling of this product, please contact your local city office, your household waste disposal service or the shop where you purchased the product.

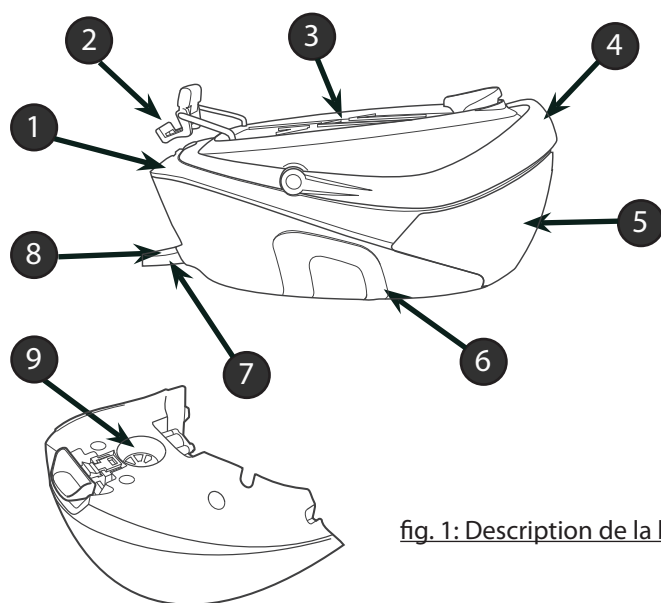
Your Guarantee

The guarantee conditions for this appliance are as defined by our representative in the country in which it is sold. Details regarding these conditions can be obtained from the dealer from whom the appliance was purchased. The bill of sale or receipt must be produced when making any claim under the terms of this guarantee.

Subject to change without notice.

15 - GB





1	Panneau de commande
2	Système de blocage du fer
3	Tapis support
4	Poignée transport
5	Réservoir d'eau amovible
6	Rangement pour flexible et cordon
7	Cordon d'alimentation
8	Flexible d'alimentation
9	Orifice de remplissage

fig. 1: Description de la base et du réservoir

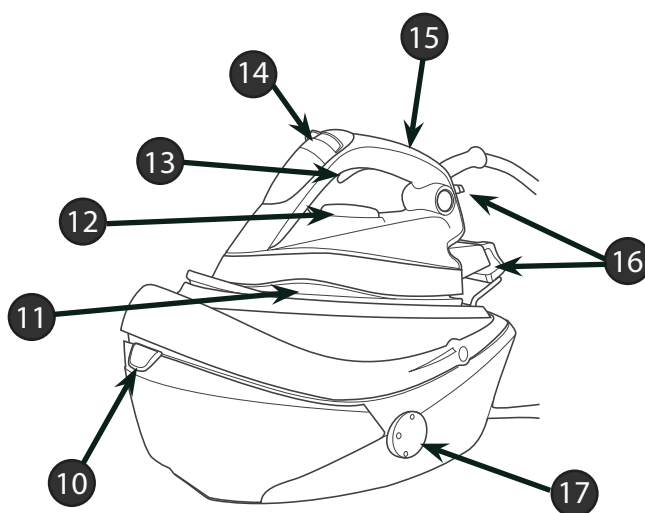
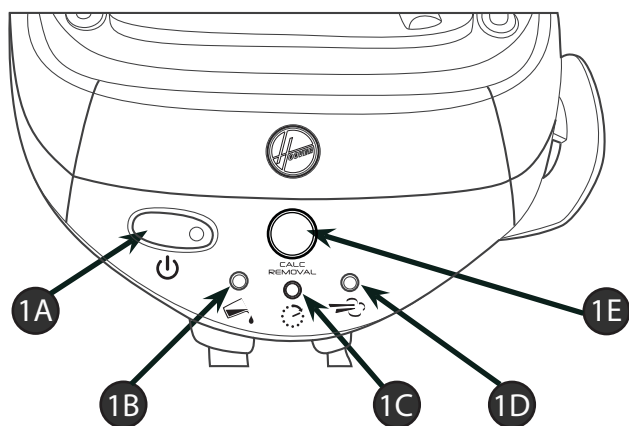


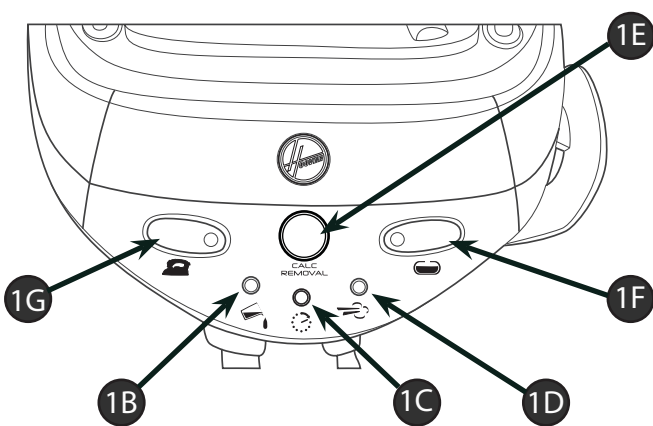
fig. 2: Description du fer domestique

10	Bouton du réservoir d'eau amovible
11	Semelle
12	Cadran de température de la semelle
13	Déclencheur de vapeur
14	Sélecteur Multi Steam Technology
15	Témoin de température de la semelle
16	Protections pour le positionnement vertical
17	Bouchon d'élimination du calcaire



1A	Bouton de Marche/Arrêt du fer avec témoin
1B	Témoin de réservoir vide
1C	Témoin d'arrêt automatique
1D	Témoin de vapeur prête
1E	Témoin de rinçage de la chaudière et réinitialisation

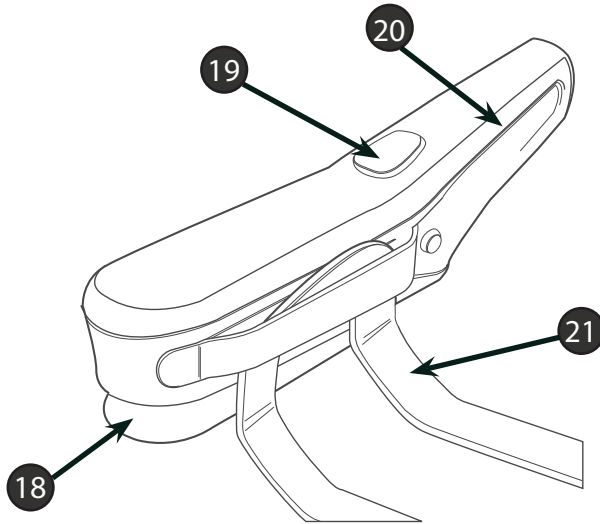
fig. 3: Panneau de commande du fer domestique



1F	Bouton de Marche/Arrêt de la chaudière avec témoin
1G	Bouton de Marche/Arrêt du fer avec témoin

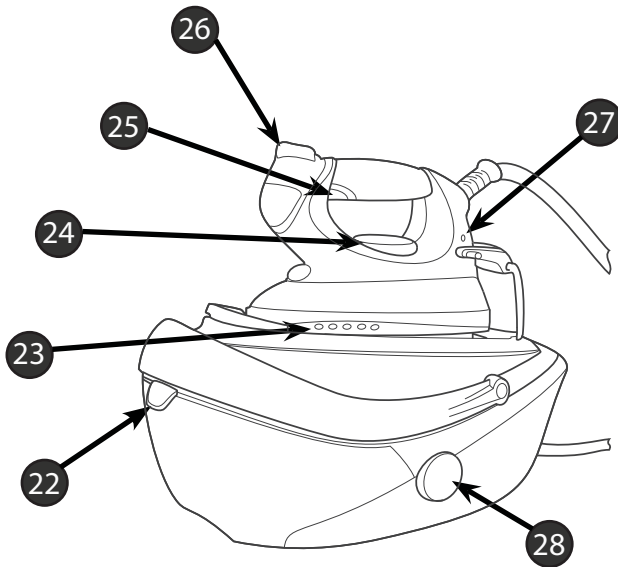
fig. 4: Panneau de commande du fer professionnel





18	Poils
19	Déclencheur de vapeur
20	Poignée ergonomique
21	Support pour brosse professionnelle et rangement du cordon

fig. 5: Brosse à vapeur professionnelle



22	Bouton du réservoir d'eau amovible
23	Semelle
24	Cadran de température de la semelle
25	Déclencheur et bloqueur de vapeur
26	Sélecteur Multi Steam Technology
27	Témoin de température de la semelle
28	Bouchon d'élimination du calcaire

fig. 5: Description du fer professionnel



Introduction

Cher Client,

Nous souhaitons tout d'abord vous remercier d'avoir acheté une centrale vapeur Hoover et d'avoir fait confiance à la marque Hoover.

Cet appareil a été fabriqué avec grand soin et dans le respect de nos critères de qualité, puis testé à plusieurs reprises. Nous espérons que vos attentes seront satisfaites et sommes absolument convaincus qu'il rendra votre repassage beaucoup plus facile et rapide.

Avant d'utiliser votre nouvel appareil Hoover, prenez le temps de lire attentivement ce manuel. Si vous avez besoin d'informations supplémentaires ou si vous rencontrez des problèmes non traités dans ce manuel, veuillez contacter le service après vente ou votre revendeur local.

Instructions importantes de sécurité

Veuillez lire attentivement ce manuel d'utilisation avant d'utiliser le fer pour la première fois et gardez-le pour pouvoir le consulter à d'autres occasions.

- Ce produit a été conçu uniquement pour l'usage domestique. En cas d'usage commercial, d'utilisation inappropriée ou de non respect des instructions, le fabricant décline toute responsabilité et la garantie sera invalidée.
- Avant de brancher l'appareil, vérifiez que la tension du courant est la même que celle indiquée sur l'appareil et que la prise est connectée à la terre.
- Avant chaque utilisation, vérifiez que le cordon électrique ou toute autre pièce importante n'est pas endommagé(e).
- Cet appareil ne doit pas être utilisé par des enfants ou des personnes ayant des capacités physiques, sensorielles ou mentales réduites, à moins que leur sécurité soit adéquatement assurée par un adulte lors de l'utilisation.
- Surveillez que les enfants ne jouent pas avec l'appareil.
- Le fer doit être utilisé et posé sur une surface plate et stable. Quand vous remplacez le fer sur son support, assurez-vous que la surface de pose est stable.
- Ne dirigez jamais le jet de vapeur vers des personnes ou des animaux. Ne dirigez jamais le jet de vapeur vers d'autres appareils électriques ou électroniques.
- N'utilisez pas l'appareil s'il est tombé ou s'il présente des dommages, dysfonctionnements ou fuites. Pour éviter tout danger, veuillez faire vérifier l'appareil par un centre de service agréé.
- Avant toute intervention d'entretien, vérifiez toujours que l'appareil est éteint, débranché et a refroidi.
- Ne laissez jamais l'appareil sans surveillance quand il est branché et n'a pas encore refroidi.
- Ne débranchez pas l'appareil en tirant sur le cordon ou sur l'appareil.
- N'immergez jamais le fer, le support, le câble ou les fiches dans l'eau. Ne les mettez jamais sous le robinet.
- La semelle du fer peut devenir extrêmement chaude et provoquer des brûlures en cas de contact. Ne touchez jamais les cordons électriques avec la semelle.
- Si le cordon d'alimentation est endommagé, il doit être remplacé par le fabricant, le service après-vente ou d'autres personnes qualifiées pour éviter tout danger.



Chapitre 1.1 - Panneau de commande



Bouton de Marche/Arrêt (1A): Un témoin s'allume sur le commutateur pour indiquer que l'appareil est allumé (Concerne les modèles de fers pour usage domestique uniquement).

Fer allumé/éteint (1G): Quand ce bouton est allumé, la semelle commence à chauffer. Conseillé pour le repassage à sec. (uniquement avec un fer professionnel).

Chaudière allumée/éteinte (1F): Quand ce bouton est allumé, le bouilleur commence à chauffer. Notez que le commutateur du fer (1G) doit être allumé pour que le bouilleur chauffe (uniquement avec un fer professionnel).

Quand l'appareil est allumé et que le témoin de vapeur prête (1D) est éteint, la vapeur est prête à l'emploi. Vous pouvez appuyer sur le déclencheur afin de faire sortir de la vapeur sous la semelle. Notez que le témoin s'allume de temps en temps pendant l'utilisation, mais que vous pouvez continuer à repasser à la vapeur sans problème.

Le témoin de réservoir vide (1B) est allumé : il n'y a plus d'eau dans le réservoir. Remplissez le réservoir en suivant les instructions du chapitre 2.2.

Le témoin de rinçage (1E) est allumé : vous devez rincer la chaudière pour éviter les dépôts de calcaire. Veuillez vous reporter au chapitre 4.2 pour de plus amples informations. (uniquement pour les modèles: SRD 4106, SRD 4108, SRD 4110, SRP 4105)

Le témoin d'arrêt automatique (1C) est allumé : si la vapeur n'est pas utilisée pendant 10 minutes, la chaudière et le fer commencent à refroidir. Pour recommencer à repasser, mettez le commutateur général (1A) sur Arrêt, puis sur Marche. Vous devrez attendre un peu que la vapeur soit chaude avant de recommencer à repasser. Pour de plus amples informations, veuillez vous reporter au paragraphe sur le témoin de vapeur prête. (uniquement pour les modèles: SRD 4108, SRD 4110)

Chapitre 1.2 - Système de blocage

Pour faciliter le transport et le rangement de votre système de repassage, l'appareil comprend un système de blocage (2). Ce système bloque le fer sur le support supérieur. Cela facilite le déplacement et le rangement de l'appareil. Suivez les instructions ci-dessous pour bloquer le fer sur le tapis support (3).



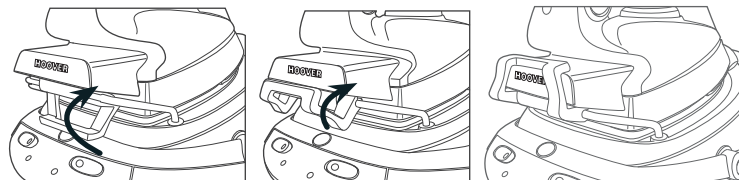


fig. 7: Système de blocage du fer domestique

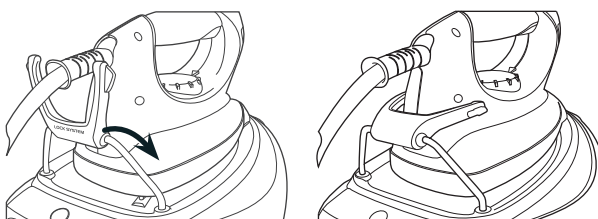


fig. 8: Système de blocage du fer professionnel

Pour le débloquer, suivez les instructions en sens inverse.

Mise en garde: Ne portez pas votre appareil en le tenant par le fer. Utilisez la poignée prévue à cet effet (4).

Chapitre 1.3 - Poignée transport

La centrale vapeur est dotée d'une poignée de transport ergonomique (4) qui vous permettra de transporter facilement votre appareil quand vous le souhaitez.

Avant de l'utiliser, vérifiez que le fer est fixé sur le tapis support (3). Si ce n'est pas le cas, suivez les instructions à ce sujet au chapitre 1.2. En outre, n'oubliez pas de ranger le câble à l'endroit prévu à cet effet (6) pour le flexible et le cordon. Vérifiez aussi que le réservoir d'eau est vide.

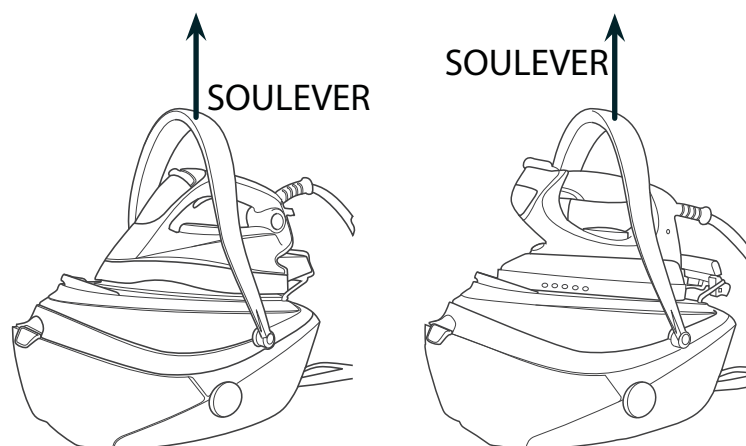


fig. 9: Illustration de la poignée de transport



Chapitre 1.4 - Arrêt automatique



L'appareil dispose d'un commutateur qui éteint automatiquement l'appareil s'il n'est pas utilisé pendant 10 minutes.

Afin de vous en informer, un signal sonore retentit et le témoin d'arrêt automatique (1C) s'allume.

Pour réactiver l'appareil, mettez le commutateur général (1A) sur Arrêt, puis sur Marche et attendez que le témoin de vapeur prête (1D) s'allume.

Chapitre 2: Préparation à l'emploi

Étant donné la sortie puissante de vapeur, Hoover conseille d'utiliser une planche à repasser active, avec fonctions de soufflerie et d'aspiration permettant l'évacuation de la vapeur en excès.

Placez la centrale vapeur sur une surface stable et plane, par exemple sur la partie dure d'une planche à repasser ou une surface résistante à la chaleur.

Chapitre 2.1 - Quel type d'eau peut être utilisé ?

Le système de repassage Hoover a été conçu pour être utilisé avec de l'eau du robinet. Il n'est pas nécessaire d'utiliser de l'eau distillée ou pure. Cependant, si vous vivez dans une région où l'eau est très dure, vous pouvez mélanger 50% d'eau distillée et 50% d'eau du robinet. N'utilisez pas d'autres types d'eau et n'ajoutez aucun autre élément dans le réservoir à eau amovible, car cela risquerait d'endommager l'appareil.

Chapitre 2.2 - Remplissage du réservoir d'eau

Retirez le réservoir d'eau (5) de son support en appuyant sur le bouton du réservoir d'eau (10). Remplissez avec de l'eau du robinet. Ne dépassez pas le repère de niveau maximum. Remplacez le réservoir à sa place.

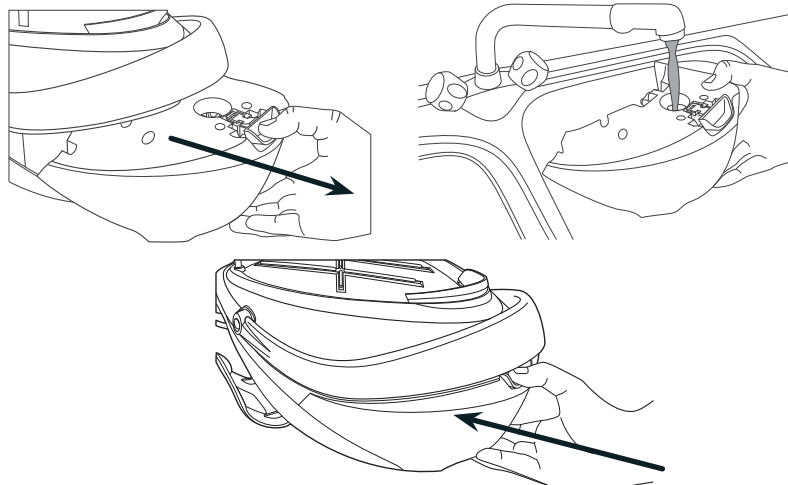


fig. 10: Remplissage du réservoir d'eau





Mise en garde: N'ajoutez pas de vinaigre, d'eau chaude, de parfum ou tout autre agent chimique ou autre dans le réservoir à eau. Cela risquerait d'endommager la centrale vapeur et d'écourter sa durée de vie.

Chapitre 2.3 - Mise sous tension de l'appareil

Modèles de fers domestiques:

Branchez l'appareil à l'aide du cordon d'alimentation à une prise mise à la terre. Appuyez sur le bouton de Marche/Arrêt. Le témoin du commutateur Marche/Arrêt (1a) s'allume pour indiquer que l'appareil est sous tension et que la chaudière est en train de chauffer l'eau.

Après deux minutes environ, le témoin de vapeur prête s'éteint et vous pouvez commencer à utiliser la vapeur.

Modèles de fers à repasser professionnels:

Branchez l'appareil à l'aide du cordon à une prise mise à la terre. Appuyez sur le bouton de Marche/Arrêt (1g) du fer et sur le bouton de Marche/Arrêt de la chaudière (1f). Les témoins des deux boutons doivent s'allumer pour vous informer que l'appareil fonctionne. La semelle du fer et la chaudière sont en train de chauffer.

N.B.

Lors de la première utilisation de l'appareil, il est possible que le fer fume et qu'une odeur forte soit produite. Cela est parfaitement normal et disparaîtra rapidement.

Chapitre 3: Utilisation de la centrale vapeur

Chapitre 3.1 - Réglage de température de la semelle



Sélectionnez la température de la semelle en tournant le cadran (12) du fer à la position souhaitée. Attendez quelques instants jusqu'à ce que l'indicateur de température (15) s'éteigne, vous indiquant ainsi que la semelle a atteint la température demandée.

Pendant le repassage, l'indicateur de température peut s'allumer et s'éteindre, ce qui indique un réglage de la température, mais il n'est pas nécessaire d'interrompre le repassage.

Aide:

Consultez l'étiquette de lavage du vêtement pour sélectionner la température la mieux adaptée à chaque tissu. Notez que le témoin de température s'allume de temps en temps pendant l'utilisation. Cela indique que le fer est en train de chauffer pour atteindre la température réglée.

Si le vêtement contient plusieurs types de fibres, sélectionnez toujours la température de la semelle en fonction du tissu le plus délicat.

Si vous sélectionnez une température inférieure pendant le repassage, attendez que le fer ait refroidi et atteint la température réglée avant de continuer à repasser.

Si la température est trop basse, il est possible que quelques gouttes d'eau s'échappent de la semelle. Réglez la température au-dessus des deux points (↔) pour éviter ce problème.





Chapitre 3.2 - Repassage

Repassage à sec

Modèles de fers domestiques:

Sélectionnez la température de la semelle en suivant les indications du Chapitre 3.1. Quand la semelle atteint la température requise, commencez à repasser sans appuyer sur le déclencheur de vapeur (13).

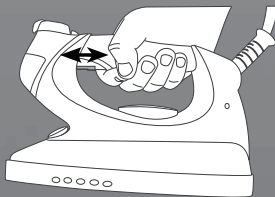
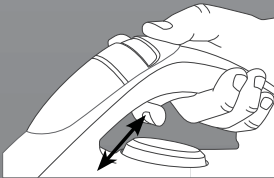
Modèles de fers à repasser professionnels:

Allumez uniquement le commutateur du fer (1g). Sélectionnez la température de la semelle en suivant les indications du Chapitre 3.1. Commencez à repasser quand la semelle atteint la température appropriée.

Repassage à vapeur

Sélectionnez la température de la semelle en suivant les indications du Chapitre 3.1. Sur le support, le témoin (1d) s'éteint quand la fonction vapeur est prête. Dès ce moment, vous pouvez commencer à repasser et appuyer sur le déclencheur de vapeur (13). Le débit de vapeur s'arrête quand vous relâchez le déclencheur.

Pour obtenir des résultats optimaux, vous pouvez régler le débit à l'aide du sélecteur Multi Steam Technology (14). Pour obtenir de plus amples informations à ce sujet consultez le chapitre 3.3.



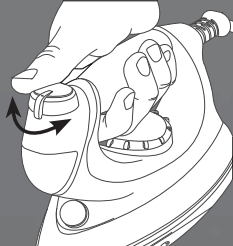
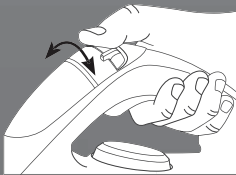
Modèles de fers à repasser professionnels uniquement:

Fonction de verrouillage de vapeur : Le verrouillage de vapeur vous permet de repasser à la vapeur sans devoir appuyer sur le déclencheur. La vapeur sera ainsi produite en continu. Pour activer ou désactiver le verrouillage de vapeur, faites glisser le bouton de verrouillage (26) vers l'avant ou l'arrière.

N.B.

Pendant l'usage, vous entendrez parfois un bruit provenant du générateur de vapeur. Cela est normal. Et ce phénomène se manifeste quand la pompe injecte de l'eau dans la chaudière. Il vaut mieux ne pas utiliser le déclencheur de vapeur à ce moment-là, pour éviter une chute de la pression.

Chapitre 3.3 - Comment choisir la température de la semelle et le débit de vapeur appropriés ?



Pour obtenir des résultats optimaux, il est fondamental de régler correctement la température de la semelle et le débit de vapeur à utiliser. Votre appareil Hoover est doté d'un sélecteur Multi Steam Technology (14) unique. Si vous l'utilisez correctement, cette fonction rendra votre repassage plus facile et rapide, et vous permettra d'obtenir des résultats exceptionnels.

Grâce aux fonctions innovatrices de Multi Steam Technology, vous pouvez utiliser la vapeur sur la plupart des tissus et obtenir ainsi d'excellents résultats. Vous pouvez choisir trois fonctions pré-réglées : Diffuse Caresse (Caresse diffuse), Deep Care (Soin profond) et Precise Power (Puissance précise). Avec chaque réglage, l'humidité, la puissance et la direction du débit de vapeur sont définis, de sorte que vous pouvez adapter le repassage à chaque vêtement et obtenir des résultats exceptionnels.

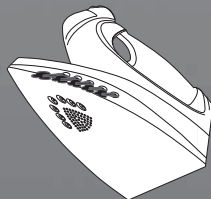
24 - FR





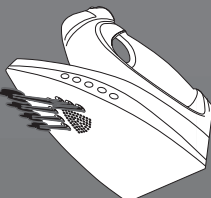
Voici quelques conseils pour obtenir des résultats optimaux :

Tissus	Type de vapeur	T°C semelle
Tissus froncés	Precise Power	•••/Max
Zones délicates	Precise Power	••/•••
Jeans	Deep Care	Max
Coton	Deep Care	•••
Lin	Deep Care	Max
Vêtements amidonnés	Deep Care	•••
Velours/alcantara	Deep Care	••
Laine	Deep Care	••
Soie	Diffuse Care	••
Cachemire	Diffuse Care	••
Viscose	Diffuse Care	••
Polyester	No	•
Nylon	No	•
Acrylique	No	•
Lycra	No	•
Polyamide	No	•



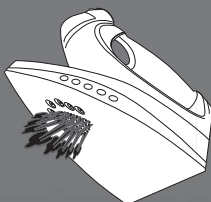
Diffuse Caresse

Ce type de débit de vapeur, léger et réduit est adapté aux tissus les plus délicats, comme la soie et le cachemire. Il est vaporisé doucement sur l'avant latéral du fer. Les fibres sont desserrées de manière à ce que les plis soient éliminés rapidement sans abîmer le vêtement.



Precise Power

Il s'agit d'un débit concentré, dirigé vers la pointe. Le jet constant et puissant permet d'atteindre les zones difficiles telles que boutons, manches et boucles. Les zones difficiles sont ainsi mieux humidifiées, ce qui permet d'éliminer plus facilement les plis.



Deep Care

Grâce à un jet puissant et humide, la vapeur verticale élimine rapidement et facilement les plis sur la plupart des tissus. La vapeur s'imprègne en profondeur dans les fibres et la semelle sèche le tissu. Les plis sont ainsi éliminés plus facilement.

Aide

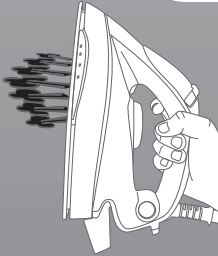
Quand vous repassez à la vapeur des vêtements sur lesquels des tâches brillantes risquent de se former, nous vous conseillons de régler la semelle à une température plus basse ou de repasser sur l'envers du tissu.

Commencez par les matières qui doivent être repassées à basse température (•) et terminez par celles qui doivent être repassées à haute température (•••/Max).





Chapitre 3.4 - Repassage vertical à vapeur



Réglez la semelle à la température (12) maximum et mettez le sélecteur Multi Steam Technology (14) sur le programme *Deep Care*.

Suspendez les rideaux ou vêtements (vestes, tailleurs, manteaux). Tenez le fer en position verticale à quelques centimètres du tissu, pour éviter de le brûler. Appuyez sur le déclencheur de vapeur (13) pour obtenir la vapeur et déplacez le fer du haut vers le bas.

Mise en garde: Ne dirigez jamais le jet de vapeur vers des personnes ou des animaux.

Chapitre 3.5 - Remplissage du réservoir d'eau pendant l'usage

Vous pouvez remplir le réservoir d'eau à tout moment pendant l'usage.

Quand le réservoir est vide, le témoin de réservoir vide (1b) s'allume. La vapeur ne sort plus de la semelle.

Retirez le réservoir de son support en appuyant sur le bouton du réservoir d'eau (10). Remplissez le réservoir d'eau sans dépasser le repère de niveau maximum. Remplacez le réservoir d'eau à sa place. Vous pouvez recommencer immédiatement à repasser.

Pour obtenir de plus amples informations à ce sujet consultez le chapitre 3.3.

Chapitre 3.6 - Brosse à vapeur professionnelle (SRD4110 uniquement)

La brosse à vapeur professionnelle montée sur votre système de repassage sert à repasser en position verticale pour éliminer facilement les plis sur des tissus délicats, à supprimer les odeurs telles que la fumée et à rafraîchir des vêtements déjà portés.

Avant d'utiliser la brosse à vapeur, vérifiez que le système de repassage est rempli d'eau. Allumez l'appareil, la brosse à vapeur est prête à l'usage quand le témoin de vapeur prête s'allume. Appuyez sur le bouton de vapeur de la brosse pour commencer le nettoyage.

Mise en garde: Ne dirigez jamais le jet de vapeur vers des personnes ou des animaux.

Chapitre 4: Entretien et nettoyage

Pour éviter tout risque de brûlure, toutes les opérations d'entretien et de nettoyage doivent être effectuées quand l'appareil est débranché et a refroidi pendant deux heures au moins.

Chapitre 4.1 - Nettoyage de l'appareil

N'utilisez pas de détergent ou de produit décapant pour nettoyer la semelle. Nettoyez-la régulièrement avec une éponge humide non métallique.

Pour nettoyer les pièces en plastique du support, utilisez des chiffons doux.



Chapitre 4.2 - Rinçage de la chaudière pour éliminer le calcaire

Afin que votre appareil ait une durée de vies maximum, rincez la chaudière pour éviter les dépôts de calcaire. Rincez-la tous les deux mois ou, sur les modèles SRD 4106, SRD 4108, SRD 4110 et SRP 4105, attendez que le témoin de rinçage (1e) clignote.

Modèles dotés du témoin de rinçage

Quand le témoin de rinçage (1e) clignote, continuez normalement votre repassage, mais n'oubliez pas de nettoyer la chaudière avant la prochaine utilisation du fer. Pour ce faire, procédez comme suit ::

Avant cette opération, assurez-vous que le fer est débranché et a refroidi pendant deux heures au moins.

Posez le support sur le bord de l'évier et le fer sur une surface plane. Retirez le bouchon d'élimination du calcaire (10). Avec une pièce de monnaie, faites tourner le bouchon de sécurité de la chaudière dans le sens contraire des aiguilles d'une montre et retirez-le. À l'aide d'un entonnoir et d'une bouteille, mettez 0,2 litres d'eau du robinet dans la chaudière. Agitez le support, puis videz complètement la chaudière dans l'évier. Nous vous conseillons d'effectuer deux fois cette opération. À l'aide d'une pièce de monnaie, revissez le bouchon de sécurité de la chaudière et remplacez le bouchon d'élimination du calcaire (10).

La prochaine fois que vous branchez votre appareil et l'allumez, le témoin de rinçage (1e) clignotera encore. Réinitialisez en appuyant sur le témoin de rinçage. Vous pouvez dès lors recommencer à repasser immédiatement.

Modèles sans témoin de rinçage

Avant cette opération, assurez-vous que le fer est débranché et a refroidi pendant deux heures au moins.

Posez le support sur le bord de l'évier et le fer sur une surface plane. Retirez le bouchon d'élimination du calcaire (17). Avec une pièce de monnaie, faites tourner le bouchon de sécurité de la chaudière dans le sens contraire des aiguilles d'une montre et retirez-le. À l'aide d'un entonnoir et d'une bouteille, mettez 0,2 litres d'eau du robinet dans la chaudière. Agitez le support, puis videz complètement la chaudière dans l'évier. Nous vous conseillons d'effectuer deux fois cette opération. À l'aide d'une pièce de monnaie, revissez le bouchon de sécurité de la chaudière et remplacez le bouchon d'élimination du calcaire (17).

N'utilisez en aucun cas des produits décapants pour nettoyer ou rincer le bouilleur.

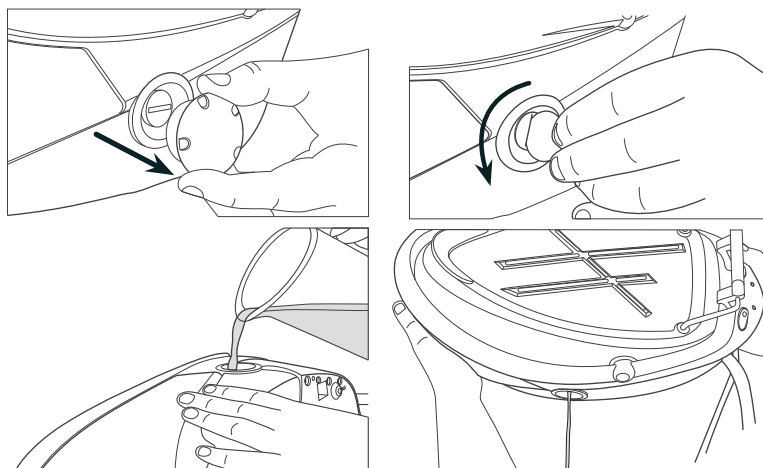
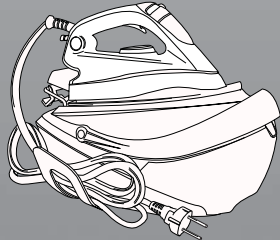


fig. 11: Opération de nettoyage



Chapitre 4.3 - Rangement



Placez le fer sur le tapis résistant à la chaleur (3).

Éteignez l'appareil et retirez la fiche.

Videz le réservoir d'eau.

Attendez au moins 30 minutes que la semelle et le générateur refroidissent.

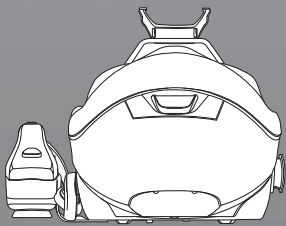
Verrouillez le fer à l'aide du système prévu à cet effet (2). Veuillez consulter le chapitre 1.2 pour obtenir de plus amples informations à ce sujet.

Placez le câble électrique et le câble à vapeur à l'endroit prévu à cet effet (6).

Pour le modèle SRD 41110, mettez la brosse à vapeur professionnelle sur son support et placez le câble en position de rangement.

Pour transporter l'appareil, utilisez la poignée (4) prévue à cet effet (en suivant les instructions requises du chapitre 1.3).

Vous pouvez alors ranger votre appareil facilement et en toute sécurité.





Dépannage

Problème	Motif	Solution
L'appareil ne chauffe pas	Il y a un problème au niveau de la connexion	Vérifiez le cordon d'alimentation, la fiche et la prise
	L'appareil n'est pas allumé	Appuyez sur le bouton de Marche/Arrêt
	La température de la semelle est trop basse	Réglez la semelle à une température plus élevée
L'appareil ne produit pas de vapeur	L'appareil n'est pas allumé	Appuyez sur le bouton de Marche/Arrêt
	La chaudière n'a pas encore chauffé	Attendez quelques instants jusqu'à ce que le témoin de vapeur prête soit éteint
	Il est possible que le réservoir d'eau soit vide	Remplissez le réservoir
	Vous n'appuyez pas sur le déclencheur de vapeur	Appuyez sur le déclencheur de vapeur
De la vapeur s'échappe par le bouchon d'élimination du calcaire pendant le repassage	La valve d'élimination du calcaire n'est pas assez serrée	Éteignez l'appareil et laissez-le refroidir Retirez le bouchon d'élimination du calcaire et serrez la valve comme il se doit
	La valve anticalcaire est endommagée	Contactez le Service après-vente
Le témoin de réservoir d'eau vide est allumé	Il n'y a plus d'eau dans le réservoir	Remplissez le réservoir avec de l'eau
La semelle se salit ou devient brune	Il y a eu un produit chimique ou un additif dans l'eau utilisée pour le repassage	N'utilisez jamais de produits chimiques ou d'additifs dans l'eau. Contactez le Service après-vente si le tissu est encore sale.
	Le tissu est encore sale	Nettoyez la semelle avec une éponge non métallique
Des traces d'eau apparaissent sur le tissu	La housse de votre planche à repasser est saturée d'eau	Changez de housse ou utilisez une planche à repasser à mailles (spécialement conçue pour la vapeur)
Des dépôts de calcaire apparaissent sur la semelle	Votre chaudière n'a pas été rincée depuis un moment	Suivez les indications dans le chapitre approprié





Informations importantes

Pièces détachées et consommables Hoover

Toujours remplacer les pièces par des pièces détachées de la marque Hoover. Celles-ci sont disponibles auprès de votre revendeur Hoover. Lors de la commande de pièces de rechange, veuillez toujours préciser le numéro de votre modèle.

Service Hoover

Pour toute intervention à tout moment, veuillez contacter le service après-vente Hoover le plus proche.

Sécurité

Selon Hoover, l'approbation de chacun est le meilleur moyen de démontrer la sécurité du concept et de la fabrication d'un appareil. L'"Istituto del Marchio di Qualità" (IMQ), autorité italienne indépendante pour la sécurité des appareils électriques, vérifie que les normes de sécurité européennes sont respectées et maintenues pendant tout le processus de fabrication d'un appareil. Tous les appareils conformes aux normes de l'institut portent la marque de sécurité IMQ.

Qualité

ISO 9001

La qualité des usines Hoover a fait l'objet d'une évaluation indépendante. Nos produits sont fabriqués selon un système de qualité conforme à la norme ISO 9001.

Environnement

Cet appareil porte des marques conformément à la directive européenne 2002/96/CE relative aux déchets d'équipements électriques et électroniques (WEEE).

Si vous jetez ce produit convenablement, vous contribuerez à éviter des conséquences potentiellement nuisibles pour l'environnement et pour la santé.

Le symbole figurant sur le produit indique qu'il ne peut pas être mis au rebut avec les ordures ménagères. Vous devez le déposer dans un centre de recyclage des déchets électriques et électroniques.

La mise au rebut doit être effectuée conformément à la réglementation locale en matière de déchets.

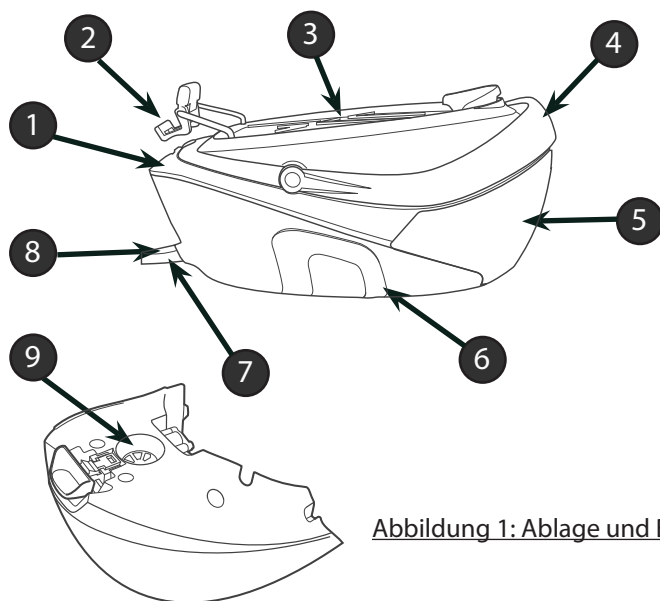
Pour obtenir des compléments d'information sur le traitement, la récupération et le recyclage de ce produit, merci de contacter votre municipalité, le service local des ordures ménagères ou le lieu d'achat du produit.

Votre garantie

Les conditions de garantie de cet appareil sont définies par notre représentant dans le pays où il est vendu et peuvent être obtenues auprès de votre revendeur. La facture d'achat ou le reçu doivent être présentés pour toutes réclamations relevant des conditions de cette garantie.

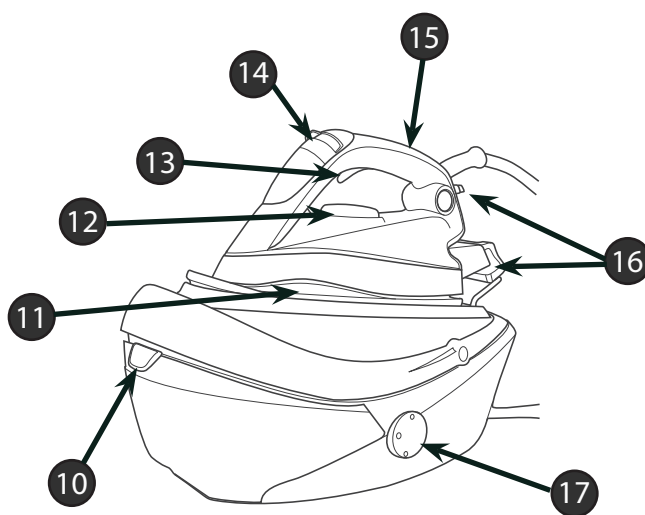
Ces conditions peuvent être modifiées sans préavis.





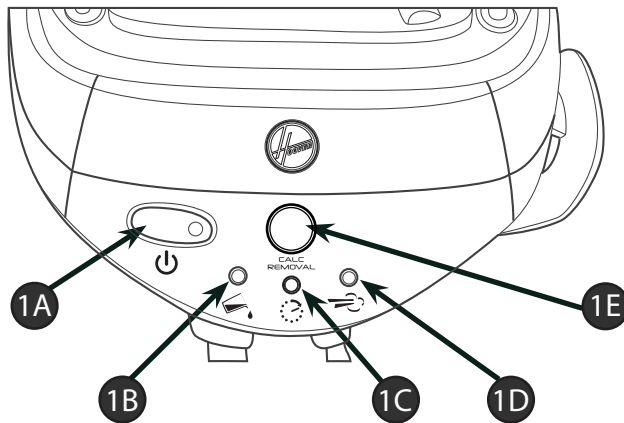
1	Bedienfeld
2	Verriegelungssystem für das Bügeleisen
3	Ablagematte für das Bügeleisen
4	Tragegriff
5	Abnehmbarer Wasserbehälter
6	Staufach für Kabel und Schlauch
7	Netzkabel
8	Zuführschlauch
9	Einfüllöffnung

Abbildung 1: Ablage und Behälterbeschreibung



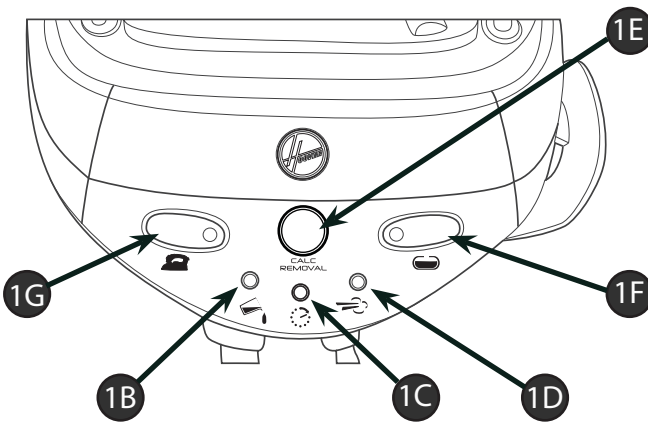
10	Knopf für den abnehmbaren Wasserbehälter
11	Bodenplatte
12	Bodenplatte und Temperaturanzeige
13	Dampfauslöser
14	Multi-Steam-Wahlschalter
15	Bodenplattentemperaturanzeiger
16	Pads für vertikale Position
17	Kesselsteinentfernerdeckel

Abbildung 2: Beschreibung des Haushaltsbügeleisens



1A	Einschalter für das Bügeleisen mit Kontrollleuchte
1B	Kontrollleuchte „Wasserbehälter leer“
1C	Kontrollleuchte „Automatisch abschalten“
1D	Kontrollleuchte „Dampferzeuger“
1E	Spülanzeige für den Dampferzeuger und Resettaste

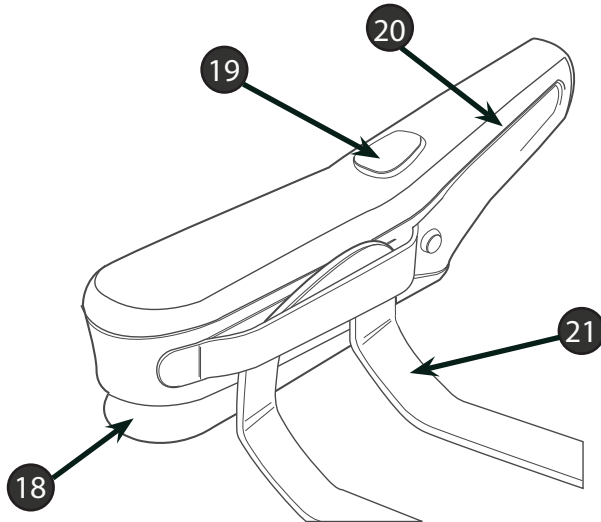
Abbildung 3: Bedienfeld des Haushaltbügeleisens



1F	Einschalter für den Dampferzeuger mit Netzkontrollleuchte
1G	Einschalter für das Bügeleisen mit Kontrollleuchte

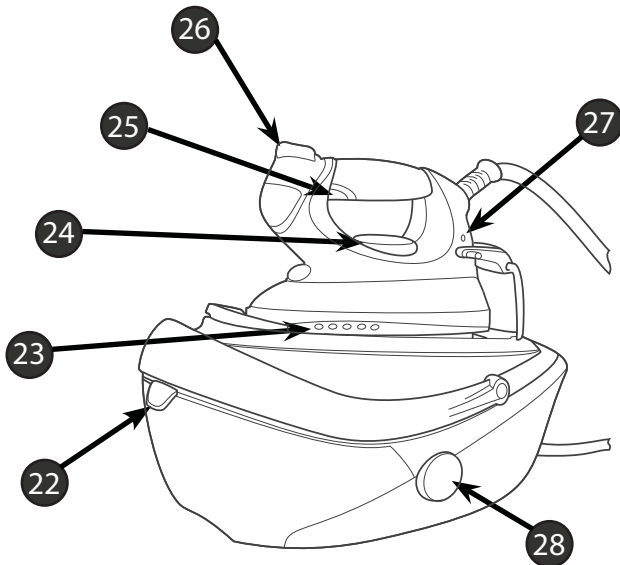
Abbildung 4: Bedienfeld des Profibügeleisens





18	Bürsten
19	Dampfauslöser
20	Bequemer Tragegriff
21	Profibürstenhalterung und Kabelstufach

Abbildung 5: Profidampfbürste



22	Knopf für den abnehmbaren Wasserbehälter
23	Bodenplatte
24	Bodenplatte und Temperaturanzeige
25	Dampfauslöser und Dampfauslöserverriegelung
26	Multi-Steam-Wahlschalter
27	Bodenplattentemperaturanzeiger
28	Kesselsteinentfernerdeckel

Abbildung 6: Beschreibung des Profibügeleisens



Einführung

Sehr geehrter Kunde,

Wir möchten Sie beglückwünschen, dass Sie ein Bügelsystem von Hoover erworben haben und danken Ihnen für Ihr Vertrauen in unsere Marke.

Dieses Gerät wurde mit großer Sorgfalt gefertigt und die Einhaltung unserer Qualitätskriterien mehrmals geprüft. Wir hoffen, dass es Ihre Erwartungen erfüllt. Wir sind davon überzeugt, dass Sie mit ihm schneller und besser bügeln können.

Bevor Sie Ihr neues Hoovergerät verwenden, nehmen Sie sich bitte Zeit, diese Bedienanleitung zu lesen. Wenn Sie weitere Informationen benötigen oder Probleme haben, die in dieser Anleitung nicht erwähnt sind, wenden Sie sich bitte an den Kundendienst oder Ihren Händler.

Wichtige Sicherheitshinweise

Bitte lesen diese Anleitung sorgfältig vor der ersten Verwendung durch und heben Sie sie zum späteren Nachschlagen auf.

- Dieses Produkt ist nur für den Einsatz im Haushalt vorgesehen. Bei kommerziellem Einsatz oder Nichteinhaltung der Anwendungen haftet der Hersteller nicht und die Garantie erlischt.
- Bevor Sie das Gerät anschließen, prüfen Sie, ob die Netzspannung mit der Spannungsangabe auf Ihrem Gerät übereinstimmt und die Steckdose einen Schutzleiter besitzt.
- Kontrollieren Sie vor jeder Verwendung, ob das Kabel oder andere wichtige Teile unbeschädigt sind.
- Dieses Gerät ist nicht für Kinder oder Personen mit eingeschränkten mentalen, sensorischen oder physischen Fähigkeiten vorgesehen, es sei denn, diese wurden in die Bedienung umfassend eingewiesen und ein Erwachsener ist für ihre Sicherheit verantwortlich.
- Kinder sollten beaufsichtigt werden, damit sie nicht mit dem Gerät spielen.
- Das Bügeleisen muss auf einer ebenen und stabilen Fläche verwendet und abgestellt werden. Wenn Sie das Bügeleisen auf dem Sockel ablegen, achten Sie darauf, dass die Fläche, auf der Sie es ablegen, stabil ist.
- Richten Sie den Dampfstrahl nie auf Personen oder Tiere. Richten Sie den Dampfstrahl niemals auf andere elektrische bzw. elektronische Geräte.
- Verwenden Sie das Gerät nicht, wenn es heruntergefallen ist oder Anzeichen für Fehlfunktionen, Undichtheit oder Bruchstellen aufweist. Lassen Sie das Produkt durch eine autorisierte Servicewerkstatt prüfen, um Gefahren auszuschließen.
- Kontrollieren Sie immer, ob das Gerät ausgeschaltet, vom Netz getrennt und abgekühlt ist, bevor Sie Wartungsarbeiten durchführen.
- Lassen Sie das Gerät niemals unbeaufsichtigt mit dem Netz verbunden und lassen Sie es nur unter Aufsicht abkühlen.
- Trennen Sie das Gerät nicht von der Steckdose, indem Sie an der Netzschur oder am Gerät ziehen.
- Das Bügeleisen, den Sockel, das Kabel und die Stecker niemals in Wasser tauchen. Halten Sie die Teile niemals unter fließendes Wasser.
- Die Bügelsohle des Bügeleisens kann extrem heiß werden und bei Berührung Verbrennungen verursachen. Die Netzkabel niemals mit der Bügelsohle berühren.
- Wenn das Netzkabel beschädigt ist, muss es vom Hersteller oder vom Servicevertreter oder ähnlichen qualifizierten Personen ersetzt werden, um Gefahren zu vermeiden.



Kapitel 1.1 - Bedienfeld

Ein-Schalter (1A): Eine LED im Schalter leuchtet, wenn das Gerät eingeschaltet ist. (Nur für Haushaltmodelle).

Ein-Schalter (1G): Beim Einschalten beginnt sich die Bügelsohle des Bügeleisens zu erwärmen. Empfohlen für trockenes Bügeln (Nur für Industriebügeleisen).

Ein-Schalter für Dampferzeuger (1F): Beim Einschalten beginnt sich der Dampferzeuger zu erwärmen. Beachten Sie, dass der Schalter für das Bügeleisen (1G) gedrückt werden muss, um den Dampferzeuger einzuschalten (Nur für Industriebügeleisen).

Wenn das Gerät eingeschaltet ist und die LED für den „Dampfbetrieb“ (1D) erlischt, steht Dampf zur Verfügung. Sie können die Dampftaste drücken, dann tritt der Dampf über die Bügelsohle aus. Beachten Sie, dass während der Verwendung die Kontrollleuchte ab und zu erlischt, Sie können das Dampfbügeleisen jedoch weiterhin benutzen, ohne dass Probleme auftreten.



LED (1B) „Wassertank leer“ leuchtet: Es befindet sich kein Wasser mehr im Wasserbehälter. Füllen Sie den Wasserbehälter entsprechend den Anweisungen in Punkt 2.2 wieder auf.

CALC
REMOVAL



„Spülanzeige-Kontrollleuchte“ (1E) leuchtet: Sie sollten den Dampfbehälter spülen, um die Ablagerung von Kesselstein zu vermeiden. Weitere Hinweise finden Sie in Punkt 4.2. (Nur Modelle: SRD 4106, SRD 4108, SRD 4110, SRP 4105)



„Automatische Abschalt- Kontrollleuchte“ (1C) leuchtet: Wird die Dampffunktion zehn Minuten lang nicht verwendet, werden Dampferzeuger und Bügeleisen abgeschaltet. Um wieder mit dem Bügeln zu beginnen, schalten Sie dann den Hauptschalter (1A) aus. Sie müssen etwas warten, bis wieder Dampf erzeugt wird, bevor Sie weiterbügeln können. Weitere Einzelheiten finden Sie in dem Abschnitt mit der Dampfbereitschafts-Kontrollleuchte. (Nur Modelle: SRD 4108, SRD 4110)

Kapitel 1.2 - Verriegelungssystem

Um den Transport und die Lagerung Ihres Bügelsystems zu erleichtern, besitzt Ihr Gerät ein Verriegelungssystem (2). Dieses System verriegelt das Bügeleisen auf der oberen Ablage. Das Gerät kann daher bequem transportiert und verstaut werden. Beachten Sie die folgenden Hinweise, um das Bügeleisen auf der Ablagematte zu fixieren (3).



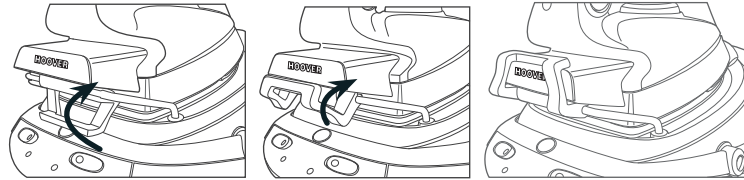


Abbildung 7: Verriegelungssystem für das Haushaltbügeleisen

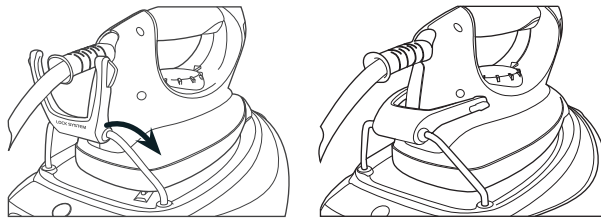


Abbildung 8: Verriegelungssystem für das Profibügeleisen

Gehen Sie zur Entriegelung in umgekehrter Reihenfolge der Anweisungen vor.

Achtung: Tragen Sie das komplette Gerät nicht am Bügeleisengriff. Verwenden Sie den vorgesehenen Griff (4).

Kapitel 1.3 - Tragegriff

Der Dampferzeuger besitzt einen ergonomischen Tragegriff (4), mit dem Sie das Gerät bei Bedarf bequem transportieren können.

Kontrollieren Sie vor der Verwendung, ob das Bügeleisen auf der Ablagematte (3) fixiert ist. Anderenfalls richten Sie sich nach den Anweisungen in Punkt 1.2. Vergessen Sie nicht, außerdem das Kabel in dem vorgesehenen Staufach (6) für Netzkabel und Schlauch unterzubringen. Kontrollieren Sie außerdem, ob der Wasserbehälter leer ist.

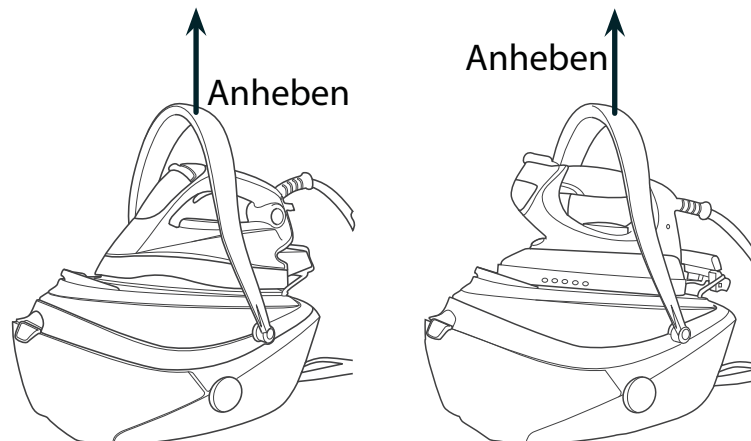
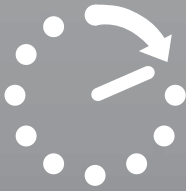


Abbildung 9: Tragegriff (Abbildung)





Kapitel 1.4 - Automatische Abschaltung



Als Hilfe besitzt das Gerät einen Schalter, der automatisch abschaltet, wenn das Gerät zehn Minuten lang nicht verwendet wird.

Um Sie auf diese Situation hinzuweisen, ertönt ein akustisches Signal und die Kontrollleuchte für die automatische Abschaltung (1C) leuchtet auf.

Wenn Sie Ihr Gerät wieder benutzen wollen, schalten Sie es dann aus und mit dem Hauptschalter (1A) wieder ein und warten Sie, bis die Kontrollleuchte für die Dampfanzeige (1D) erlischt.

Kapitel 2: Einsatzvorbereitung

Aufgrund des leistungsfähigen Dampfstrahls empfiehlt Hoover ein aktives Bügelbrett mit Absaug- und Gebläsefunktion, das überschüssigen Dampf entfernt.

Legen Sie das Bügelssystem auf eine stabile und ebene Fläche, beispielsweise auf die harte Fläche des Bügelbretts oder auf eine wärmebeständige Fläche.

Kapitel 2.1 - Welches Wasser kann verwendet werden?

Das Bügelssystem von Hoover kann nur mit Leitungswasser verwendet werden. Es besteht keine Notwendigkeit, destilliertes oder reines destilliertes Wasser zu verwenden. Wenn Sie in einem Gebiet mit hartem Wasser leben, können Sie jedoch 50 Prozent destilliertes Wasser mit 50 Prozent Leitungswasser mischen. Benutzen Sie kein anderes Wasser und ergänzen Sie keine Zusätze in dem abnehmbaren Wasserbehälter, da dadurch das Gerät beschädigt werden kann.

Kapitel 2.2 - Füllen des Wasserbehälters

Entfernen Sie den Wasserbehälter (5) aus dem Ständer, indem Sie auf den Wasserbehälterknopf (10) drücken. Füllen Sie ihn mit Leitungswasser. Achten Sie darauf, dass Sie nur bis zur Maximalmarkierung Wasser einfüllen. Setzen Sie den Behälter wieder ein.

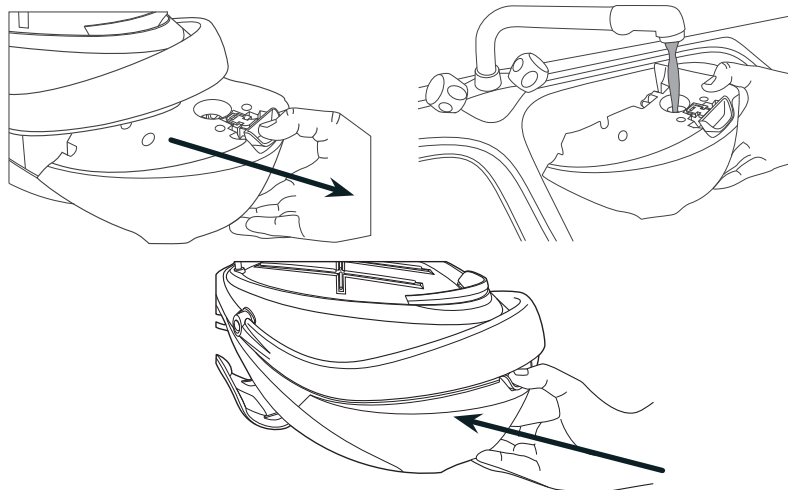


Abbildung 10: Befüllen des Wasserbehälters (Abbildung)





Achtung: Setzen Sie kein heißes Wasser, keinen Essig, kein Parfüm oder andere Chemikalien oder andere Zusätze im Wasserbehälter hinzu. Dadurch kann der Dampferzeuger beschädigt werden und es verkürzt sich die Nutzungsdauer des Geräts.

Kapitel 2.3 - Einschalten des Geräts

Hausbügelleisen:

Schließen Sie das Gerät mit dem Netzkabel an einer Schutzkontaktsteckdose an. Drücken Sie den Ein-Schalter. Die Kontrollleuchte im Hauptschalter (1A) leuchtet auf und zeigt Ihnen, dass das Gerät eingeschaltet ist und der Dampferzeuger sich erwärmt.

Nach etwa zwei Minuten erlischt die LED „Dampfbetrieb“ und Sie können die Dampffunktion verwenden.

Industriebügelleisen:

Verbinden Sie das Gerät über das Netzkabel mit einer Schutzkontaktsteckdose. Drücken Sie den Ein-Schalter für das Bügelleisen (1g) und den Dampferzeuger (1f). Die Kontrollleuchten der beiden Schalter sollten leuchten, wenn das Gerät eingeschaltet ist. Die Bodenplatte des Bügelleisens und der Dampferzeuger erwärmen sich.

Hinweis

Wenn das Gerät erstmals verwendet wird, kommt es gegebenenfalls zu Geruchsentwicklung und Rauchbildung. Dies ist normal und verschwindet schnell.

Kapitel 3: Verwendung des Dampferzeugers

Kapitel 3.1 - Regelung der Temperatur der Bügelsohle



Stellen Sie die Temperatur der Bügelsohle mit dem Einstellrädchen (12) am Bügelleisen auf den gewünschten Wert ein. Warten Sie einige Augenblicke, bis die Temperaturanzeige (15) erlischt. Das ist der Hinweis, dass die Bügelsohle die erforderliche Temperatur erreicht hat.

Beim Bügeln kann die LED der Temperaturanzeige erlöschen und wieder aufleuchten, Sie brauchen dabei den Bügelvorgang nicht zu unterbrechen.

Hilfe:

Prüfen Sie auf dem Etikett der Kleidung, mit welcher Temperatur Sie jedes Kleidungsstück bügeln sollen. Beachten Sie, dass bei der Verwendung die Temperaturanzeige hin und wieder aufleuchtet. Dies bedeutet, dass das Bügelleisen auf die Solltemperatur vorgeheizt wird.

Wenn Ihre Kleidung aus verschiedenen Fasern besteht, wählen Sie für die Bügelsohle immer die Temperatur für das empfindlichste Gewebe aus.

Wenn Sie beim Bügeln eine niedrigere Temperatur auswählen, warten Sie, bis das Bügelleisen sich auf die Solltemperatur abgekühlt hat, bevor Sie weiterbügeln.

Ist die Temperatur zu niedrig, können Wassertropfen aus der Bügelsohle austreten. Erhöhen Sie die Temperatur um zwei Einstellungen (), um dieses Problem zu vermeiden.*





Kapitel 3.2 - Bügeln

Trockenes Bügeln

Hausbügelleisen:

Wählen Sie die Temperatur der Bügelsohle entsprechend dem Hinweis in Kapitel 3.1 aus. Wenn die Bügelsohle die benötigte Temperatur erreicht hat, beginnen Sie mit dem Bügeln, ohne die Dampftaste (13) zu drücken.

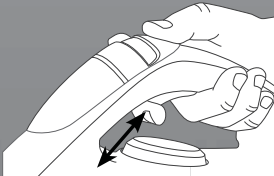
Industriebügelleisen:

Schalten Sie es nur an dem Heizungsschalter (1g) ein. Wählen Sie die Temperatur der Bügelsohle entsprechend dem Hinweis in Kapitel 3.1 aus. Beginnen Sie mit dem Bügeln, wenn die Bügelsohle die richtige Temperatur erreicht hat.

Bügeln mit Dampf

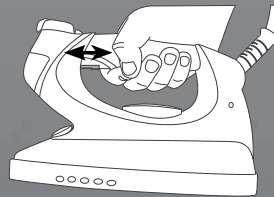
Wählen Sie die Temperatur der Bügelsohle entsprechend dem Hinweis in Kapitel 3.1 aus. Wenn die Dampffunktion einsatzbereit ist, erlischt die Anzeigelampe (1d) am Sockel. Danach können Sie mit dem Bügeln beginnen und die Dampftaste (13) drücken. Der Dampfaustritt wird gestoppt, wenn Sie die Taste loslassen.

Sie können den Dampf mit dem Multi-Steam-Wahlschalter (14) regeln, um die besten Ergebnisse zu erreichen. Weitere Informationen finden Sie in dem Abschnitt 3.3.



Nur Bügelmodelle für den Industrieinsatz:

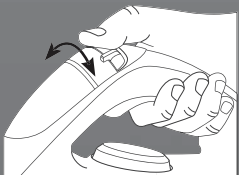
Dampfverriegelungsfunktion: Mit der Dampfverriegelung können Sie mit Dampf bügeln, ohne dass Sie immer die Dampftaste drücken müssen. Der Dampf strömt dann laufend aus. Um die Dampfverriegelungstaste zu aktivieren oder zu deaktivieren, schieben Sie die Dampfverriegelung (26) nach vorn oder nach hinten.



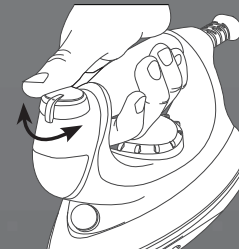
Hinweis

Bei der Anwendung kann der Dampferzeuger Geräusche verursachen. Dies ist normal. Die Geräusche zeigen an, dass die Pumpe Wasser in den Dampferzeuger einspritzt. Drücken Sie in diesem Moment möglichst die Dampferzeugertaste nicht, um einen Druckabfall zu vermeiden.

Punkt 3.3 - Auswahl der richtigen Temperatur der Bügelsohle und der Dampfmenge



Um beste Ergebnisse zu erreichen, ist es wichtig, dass Sie die Temperatur der Bodenplatte und den Dampf entsprechend der Verwendung genau einstellen. Ihr Hoover-Gerät besitzt einen spezifischen Wahlschalter für die MultiSteam Technology (14). Bei richtiger Anwendung erleichtert dieser Wahlschalter das Bügeln und sorgt für hervorragende Ergebnisse, sodass das Bügeln leichter und schneller geht.



Dank der in diesem Gerät verwendeten innovativen Multi-Steam-Technologie können Sie Dampf bei buchstäblich allen Textilien verwenden, um so die besten Ergebnisse zu erreichen. Sie können zwischen drei Voreinstellungen wählen: Diffuse Caresse, Deep care und Precise Power. Bei jeder Einstellung wird die Feuchtigkeit, die Leistung und Richtung des ausströmenden Dampfes verändert, sodass Sie den Dampf entsprechend dem Gewebe anpassen können, um optimale Ergebnisse zu erreichen.

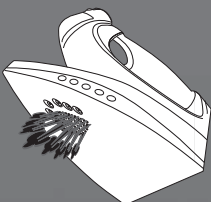
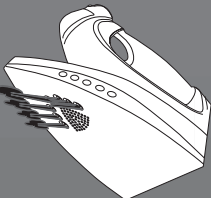
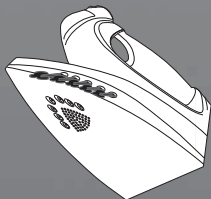
39 - DE





Hier einige Vorschläge dazu:

Textil	Dampfart	Bodenplattentemperatur in °C
Textilien mit Knittereffekt	Precise Power	•••/Max
Schwierige Bereiche	Precise Power	••/•••
Jeans	Profound care	Max
Baumwolle	Profound care	•••
Leinen	Profound care	Max
Gestärkte Kleidung	Profound care	•••
Samt/Alcantara	Profound care	••
Wolle	Profound care	••
Seide	Diffuse Caresse	••
Kaschmir	Diffuse Caresse	••
Rayon	Diffuse Caresse	••
Polyester	Nein	•
Nylon	Nein	•
Acryl	Nein	•
Lycra	Nein	•
Polyamid	Nein	•



Diffuse Caresse

Diese Dampfeinstellung ist zum Bügeln von sehr empfindlichen Textilien, beispielsweise Seide und Kaschmir, gedacht und gibt Dampf sanft und schonend ab. Eine geringere Dampfmenge wird an der Vorderseite des Bügeleisens schonend auf ein größeres Textilstück verteilt. Die Fasern werden so gelöst, dass Knitter ohne Beschädigung des Gewebes schnell entfernt werden.

Precise Power

Der Dampf ist direkt zur Spitze gerichtet. So lassen sich auch problematische Bereiche erreichen, Knöpfe, Ärmel und Schleifen mit dem konzentrierten Dampfstrahl an der Spitze und es wird ein konstanter, leistungsfähiger und konzentrierter Strahl abgegeben. Problematische Bereiche werden besser befeuchtet und Knitter daher leichter entfernt.

Profound care

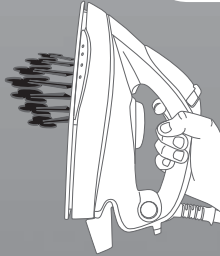
Durch den kräftigen und feuchten Dampfstrahl werden Knitter bei den meisten Textilien schnell und einfach entfernt. Der Dampf dringt tief in die Fasern ein und die große Bügelsohle trocknet das Gewebe. Falten werden leichter entfernt.

Hilfe

Beim Bügeln von Kleidung mit Glanzstellen empfehlen wir, die Temperatur der Bügelsohle etwas niedriger einzustellen oder das Gewebe linksherum zu bügeln.

Beginnen Sie beim Bügeln des Gewebes mit einer niedrigeren Temperatur (•) und beenden Sie die Bügelarbeit mit der höheren Temperatur (•••/Max).





Kapitel 3.4 - Vertikales Dampfbügeln

Stellen Sie die Temperatur der Bügelsohle (12) auf Maximum ein und den Wahlschalter für die MultiSteam Technology (14) auf das Programm **Profound Care**.

Hängende Vorhänge und Kleidungsstück (Jackets, Anzüge und Mäntel). Halten Sie das Bügeleisen in kurzem Abstand zum Gewebe vertikal, damit es nicht verbrennt. Drücken Sie die Dampftaste (13), um von oben nach unten mit Dampf zu bügeln.

Achtung: Richten Sie den Dampfstrahl nicht direkt auf Personen oder Tiere.

Kapitel 3.4 - Auffüllen des Wasserbehälters während der Nutzung

Sie können den Wasserbehälter jederzeit während der Verwendung nachfüllen.

Wenn der Wasserbehälter leer ist, leuchtet die Anzeileuchte "Leerer Wasserbehälter" (1b). Es tritt kein Dampf mehr aus der Bodenplatte aus und ein Dampfbügeln ist nicht mehr möglich.

Entfernen Sie den Behälter aus dem Ständer, indem Sie auf den Behälterknopf (10) drücken. Füllen Sie den Wasserbehälter für den maximalen Füllstand bis zur Markierung. Setzen Sie den Wasserbehälter wieder ein. Sie können sofort weiter bügeln.

Weitere Hinweise finden Sie unter Kapitel 2.2.

Kapitel 3.6 - Profidampfbürste (Nur SRD 4110)

Die an Ihrem Bügelsystem angebrachte Profidampfbürste kann zum Bügeln in vertikaler Position verwendet werden, um bequem Knitter aus empfindlichen Textilien zu entfernen, um Gerüche, wie Rauch aus Textilien zu entfernen und getragene Kleidung aufzufrischen.

Bevor Sie die Dampfbürste verwenden, achten Sie darauf, dass das Bügelsystem mit Wasser gefüllt ist. Schalten Sie das Gerät ein; wenn die LED für die Dampferzeugung aufleuchtet, können Sie die Dampfbürste verwenden. Drücken Sie die Dampftaste an der Bürste, um mit der Reinigung zu beginnen.

Achtung: Richten Sie den Dampfstrahl nicht direkt auf Personen oder Tiere.

Kapitel 4: Pflege und Reinigung

Um Verbrennungen zu vermeiden, sollten Sie Wartungs- und Reinigungsmaßnahmen nur ausführen, wenn das Gerät vom Netz getrennt ist und mindestens zwei Stunden abkühlen konnte.

Kapitel 4.1 - Reinigung des Geräts

Verwenden Sie zur Reinigung der Bügelsohle keine Reinigungsmittel oder Entkalker. Reinigen Sie diese regelmäßig mit einem feuchten, nichtmetallischem Topfkratzer.

Verwenden Sie zur Reinigung der Kunststoffteile des Sockels weiche Lappen.



Kapitel 4.2 - Reinigung des Dampferzeugers von Kesselstein.

Um die Nutzungsdauer Ihres Geräts zu verlängern, sollten Sie den Dampferzeuger spülen, damit sich kein Kesselstein im Dampferzeuger ablagert. Sie sollten ihn alle zwei Monate spülen bzw. bei den Modellen SRD 4106, SRD 4108, SRD 4110 und SRP 4105 warten, bis die Kontrollleuchte „Spülen“ (1E) blinkt.

Modelle mit der Kontrollleuchte „Spülen“

Wenn die Kontrollleuchte „Spülen“ (1E) blinkt, sollten Sie Ihre Bügelarbeit normal fortsetzen. Vergessen Sie allerdings nicht, den Dampferzeuger zu reinigen, bevor Sie das nächste Mal bügeln. Gehen Sie wie folgt vor:

Stellen Sie sicher, dass das Gerät vor der Inbetriebnahme abgekühlt und mindestens zwei Stunden vom Netz getrennt ist.

Drehen Sie die Sicherheitsabdeckung für die Dampferzeugerspülung. Entfernen Sie die Abdeckung für die Kesselsteinentfernung (10). Drehen Sie die Sicherheitsabdeckung für die Dampferzeugerspülung mit einer Münze nach links und nehmen Sie sie ab. Füllen Sie den Dampferzeuger mit 0,2 Liter Leitungswasser. Verwenden Sie einen Trichter und eine Flasche. Schütteln Sie den Sockel und entleeren Sie dann den Dampferzeuger vollständig im Ausguss. Wir empfehlen, diesen Vorgang zweimal zu wiederholen. Schrauben Sie die Sicherheitskappe für die Dampferzeugerspülung mit einer Münze wieder ein und setzen Sie den Deckel zur Kalkentfernung (10) wieder ein.

Wenn Sie das nächste Mal Ihr Gerät am Netz anschließen und einschalten, blinkt die Kontrollleuchte „Spülen“ (1E) ständig. Setzen Sie das Gerät zurück, indem Sie die Spülanzeige drücken, dann können Sie sofort mit dem Bügeln beginnen.

Modell ohne „Spül“anzeige

Stellen Sie sicher, dass das Gerät vor der Inbetriebnahme abgekühlt und mindestens zwei Stunden vom Netz getrennt ist.

Drehen Sie die Sicherheitsabdeckung für die Dampferzeugerspülung. Entfernen Sie die Abdeckung für die Kesselsteinentfernung (17). Drehen Sie die Sicherheitsabdeckung für die Dampferzeugerspülung mit einer Münze nach links und nehmen Sie sie ab. Füllen Sie den Dampferzeuger mit 0,2 Liter Leitungswasser. Verwenden Sie einen Trichter und eine Flasche. Schütteln Sie den Sockel und entleeren Sie dann den Dampferzeuger vollständig im Ausguss. Wir empfehlen, diesen Vorgang zweimal zu wiederholen. Schrauben Sie die Sicherheitskappe für die Dampferzeugerspülung mit einer Münze wieder ein und setzen Sie den Deckel zur Kalkentfernung (17) wieder ein.

Benutzen Sie keinesfalls Entkalker, um den Dampferzeuger zu spülen oder zu reinigen.

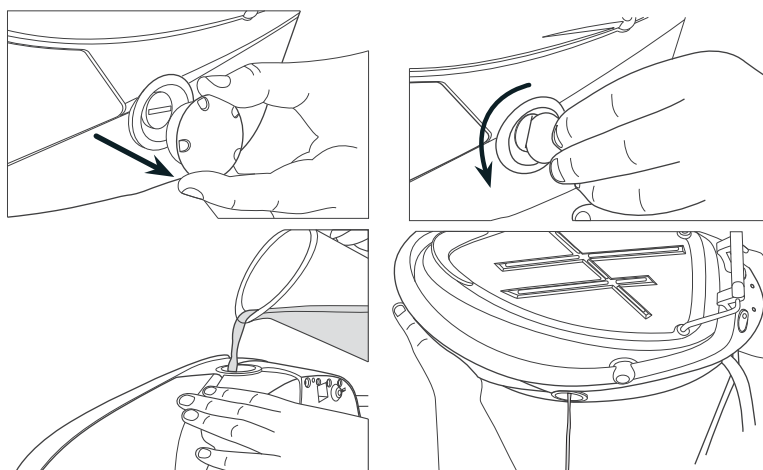
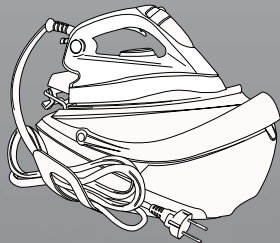


Abbildung 11: Reinigung



Kapitel 4.3 - Lagerung



Legen Sie das Bügeleisen auf eine wärmebeständige Bügelmatte (3).

Schalten Sie das Gerät aus und ziehen Sie den Stecker aus der Steckdose.

Kondenswasserbehälter entleeren.

Warten Sie mindestens 30 Minuten, damit sich der Dampferzeuger und die Bügelsohle abkühlen können.

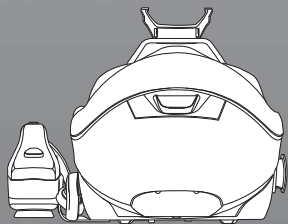
Sichern Sie das Bügeleisen mit dem Verriegelungssystem (2). Weitere Hinweise finden Sie unter Punkt 1.2.

Verstauen Sie das Netzkabel und den Dampfschlauch in dem Staufach (6).

Nehmen Sie bei dem Modell SRD 41110 die Bürste zum Entfernen von Knittern aus der Halterung und legen Sie das Kabel in das Staufach.

Tragen Sie das Gerät mit dem Griff (4) entsprechend den Anweisungen in Abschnitt 1.3.

Jetzt können Sie das Gerät sicher und einfach ablegen.





Fehlerbehebung

Problem	Ursache	Lösung
Das Gerät wird nicht heiß.	Anschlussproblem Das Gerät ist nicht eingeschaltet. Die Temperatur der Bügelsohle ist zu niedrig.	Prüfen Sie das Netzkabel, den Stecker und die Wandsteckdose. Drücken Sie den Ein-Schalter. Stellen Sie eine höhere Temperatur für die Bügelsohle ein.
Das Gerät erzeugt keinen Dampf.	Das Gerät ist nicht eingeschaltet. Der Dampferzeuger ist noch nicht vorgewärmt. Der Wasserbehälter ist leer. Sie haben die Dampftaste nicht gedrückt. Die Temperatur der Bügelsohle ist auf Maximum eingestellt.	Drücken Sie den Ein-Schalter. Warten Sie einen Moment, bis die LED für den Dampfbetrieb erlischt. Füllen Sie den Wasserbehälter auf. Drücken Sie die Dampftaste. Das Gerät funktioniert, der Dampf ist jedoch nicht sichtbar und sehr heiß und trocken.
Der Dampf tritt beim Bügeln aus der Kappe zur Entfernung von Kesselstein aus.	Das Ventil zur Entfernung von Kesselstein ist nicht richtig festgezogen. Das Ventil zur Entfernung von Kesselstein ist beschädigt.	Schalten Sie das Gerät ab und lassen Sie es abkühlen. Entfernen Sie die Abdeckung für die Kesselsteinentfernung und ziehen Sie das Ventil korrekt fest. Wenden Sie sich an den Kundendienst.
Die LED für den leeren Wasserbehälter leuchtet.	Es ist kein Wasser mehr im Wasserbehälter.	Füllen Sie den Wasserbehälter mit Wasser auf.
Die Bügelsohlen sind braun oder verschmutzt.	Es dürfen in dem für das Bügeln verwendete Wasser keine Chemikalien oder Zusätze enthalten sein. Das Leinen ist immer noch schmutzig.	Verwenden Sie niemals Chemikalien oder Additive im Wasser. Wenden Sie sich an den Kundendienst wenn das Leinen immer noch schmutzig ist. Reinigen Sie die Bügelsohle mit einem nichtmetallischen Schwamm.
Wasserstreifen auf dem Gewebe.	Ihr Bügelbrett ist mit Wasser durchnässt.	Wechseln Sie die Abdeckung oder verwenden Sie ein Bügelbrett mit Gitter.
Auf der Bügelsohle finden sich kleine Kalkablagerungen.	Ihr Dampferzeuger wurde längere Zeit nicht gespült.	Folgen Sie den Hinweisen im entsprechenden Kapitel.



Wichtige

Hoover Original-Ersatzteile und Verbrauchsartikel

Verwenden Sie stets Original-Ersatzteile von Hoover. Diese sind von Ihrem Hoover-Fachhändler oder direkt von Hoover erhältlich. Geben Sie bei der Bestellung von Ersatzteilen bitte stets die Nummer Ihres Staubsaugermodells an.

Hoover-Service

Zur Wartung oder Reparatur Ihres Produkts wenden Sie sich bitte an Ihre zuständige Hoover-Kundendienststelle. Alle Kontaktdetails finden Sie im Folgenden.

Sicherheit

Hoover ist der Ansicht, dass die unabhängige Gerätezulassung die beste Möglichkeit ist, die Konstruktions- und Fertigungssicherheit nachzuweisen. Das Istituto del Marchio di Qualità (IMQ), die unabhängige italienische nationale Behörde für die Sicherheit von Elektrohaushaltgeräten sorgt dafür, dass die europäischen Sicherheitsnormen auch während der gesamten Produktionsdauer des Geräts eingehalten werden. Alle Geräte, die die Anforderungen erfüllen, dürfen das IMQ-Sicherheitskennzeichen tragen.

Qualität

ISO 9001

Die Hoover-Werke wurden unabhängig voneinander jeweils einer Qualitätsprüfung unterzogen. Unsere Produkte werden nach einem Qualitätsstandard hergestellt, der die Anforderungen von ISO 9001 erfüllt.

Umweltschutz

Dieses Gerät ist entsprechend der europäischen Richtlinie 2002/96/EG des europäischen Parlaments und Rates über Elektro- und Elektronik-Altgeräte (WEEE-Richtlinie) gekennzeichnet.

Durch die sichere und umweltgerechte Entsorgung dieses Produkts tragen Sie dazu bei, mögliche negative Auswirkungen auf die Umwelt und die Gesundheit des Menschen zu verhindern.

Das am Produkt angebrachte Symbol gibt an, dass dieses Produkt nicht als Hausmüll behandelt werden darf, sondern an einer entsprechenden Sammelstelle für das Recycling von elektrischen und elektronischen Geräten zu entsorgen ist.

Die Entsorgung ist in Übereinstimmung mit allen geltenden Vorschriften für die umweltgerechte Abfallentsorgung vorzunehmen.

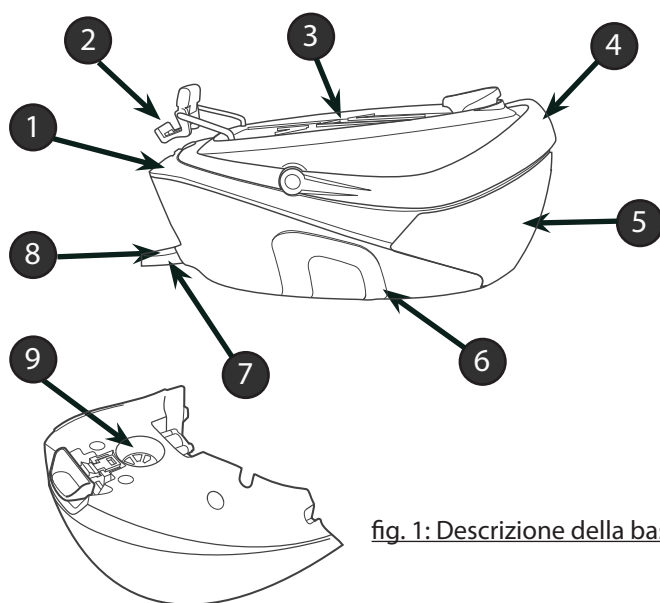
Ausführlichere Informationen über die Müllbehandlung und das Recycling dieses Produkts erhalten Sie von der zuständigen Umweltbehörde, der Müllentsorgung oder der Verkaufsstelle, von der Sie das Produkt erworben haben.

Garantieerklärung

Die Garantiebestimmungen für dieses Gerät entsprechen den Richtlinien des Landes, in dem Sie das Gerät erworben haben. Weitere Einzelheiten dazu erhalten Sie von dem Händler, bei dem Sie das Gerät erworben haben. Bitte bewahren Sie den Kaufbeleg sorgfältig auf, denn er wird für eventuell auftretende Garantieansprüche benötigt.

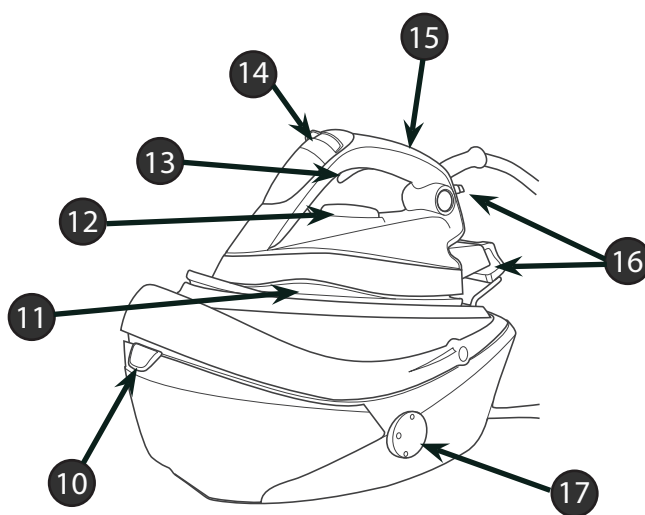
Änderungen vorbehalten.





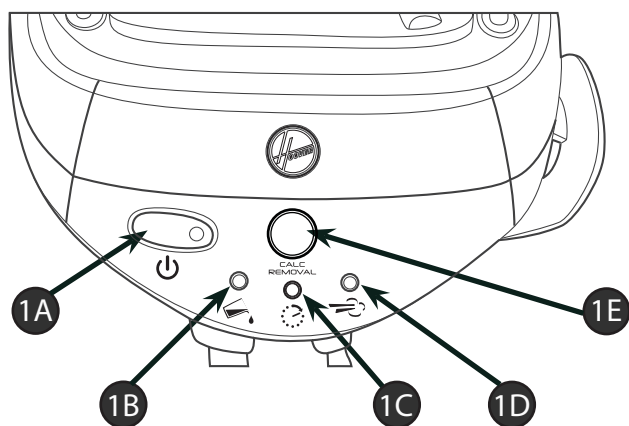
1	Pannello di controllo
2	Sistema di blocco del ferro
3	Griglia appoggiaferro
4	Impugnatura da trasporto
5	Serbatoio d'acqua amovibile
6	Sistema di avvolgimento cavo d'alimentazione
7	Cavo di alimentazione
8	Tubo flessibile
9	Bocchetta di riempimento

fig. 1: Descrizione della base del sistema stirante



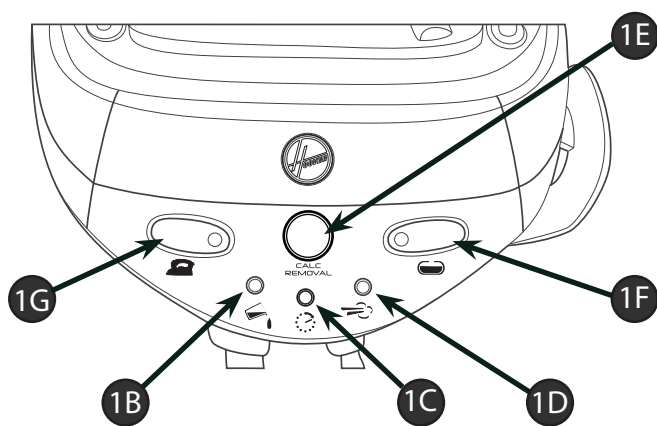
10	Sblocco serbatoio acqua amovibile
11	Piastra
12	Selettore temperatura piastra
13	Pulsante vapore
14	Selettore Multi Steam Technology
15	Indicatore temperatura della piastra
16	Sistema di bloccaggio
17	Tappo di rimozione del calcare

fig. 2: Descrizione ferro da stiro per uso domestico



1A	Interruttore di accensione/ spegnimento
1B	Spia "Serbatoio acqua vuoto"
1C	Spia di "spegnimento automatico"
1D	Spia "Vapore pronto"
1E	Indicatore risciacquo caldaia e reset

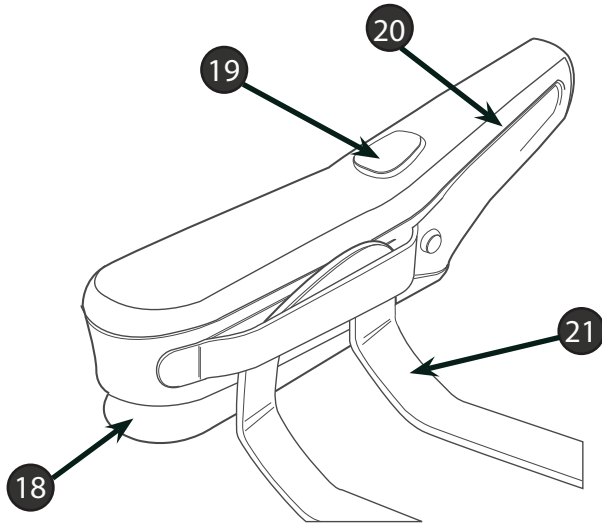
fig. 3: Pannello di controllo ferri da stiro per uso domestico



1F	Interruttore di On/Off caldaia
1G	Interruttore di accensione/ spegnimento

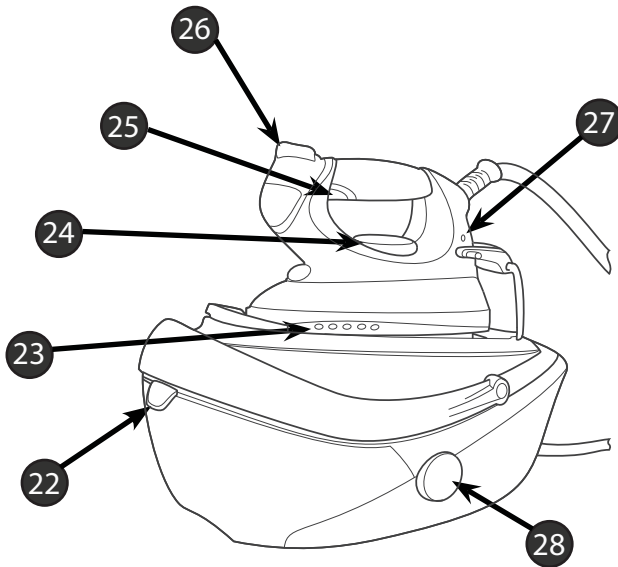
fig. 4: Pannello di controllo Pro Iron





18	Setole
19	Pulsante vapore
20	Impugnatura comfort
21	Supporto spazzola professionale e vano riponiscavi

fig. 5: Spazzola a vapore professionale



22	Sblocco serbatoio acqua amovibile
23	Piastra
24	Selettore temperatura piastra
25	Pulsante vapore e blocco pulsante vapore
26	Selettore Multi Steam Technology
27	Indicatore temperatura della piastra
28	Tappo di rimozione del calcare

fig. 6: Descrizione di Pro Iron



Introduzione

Gentile cliente,

Desideriamo anzitutto congratularci con Lei per avere acquistato questo sistema stirante Hoover e ringraziarla per la fiducia accordata al marchio Hoover.

Questo apparecchio è stato fabbricato con grande cura nel rispetto di tutti i nostri criteri di qualità ed è sottoposto a vari collaudi. Ci auguriamo che l'utilizzo dell'apparecchio risponda alle Sue aspettative. Siamo profondamente convinti che Le consentirà di stirare meglio e più rapidamente.

Prima di utilizzare il nuovo apparecchio Hoover, leggere accuratamente il presente manuale dell'utente. Per qualsiasi ulteriore informazione o se ci si dovesse imbattere in qualsiasi altro problema non trattato dal presente manuale, contattare il servizio post-vendite o il proprio distributore locale.

Importanti istruzioni di sicurezza

Leggere con cura il presente manuale dell'utente prima di utilizzare l'apparecchio per la prima volta e conservarlo per future consultazioni.

- Questo apparecchio è destinato al solo uso domestico. Il produttore non potrà essere ritenuto responsabile e la garanzia non sarà valida in caso di utilizzi commerciali o di un uso inappropriato o di inosservanza delle istruzioni.
- Prima di collegare l'apparecchio, verificare che la tensione di rete elettrica corrisponda a quella indicata sull'apparecchio e che la presa di corrente sia collegata a terra.
- Assicurarsi prima dell'uso che il cavo di alimentazione e qualsiasi altro particolare importante non siano danneggiati.
- Questo elettrodomestico non è destinato a essere utilizzato da bambini o persone dalle ridotte capacità fisiche, sensoriali o mentali senza una adeguata assistenza o controllo da parte di una persona adulta responsabile della loro sicurezza.
- Controllare che i bambini non giochino con l'apparecchio.
- Il ferro da stiro deve essere utilizzato e collocato su una superficie piana e stabile. Quando si ripone il ferro da stiro sull'appoggiaferro, sincerarsi che la superficie su cui lo si ripone sia stabile.
- Non dirigere mai il vapore verso persone o animali. Non dirigere mai il getto di vapore verso alcun altro apparecchio elettrico e/o elettronico.
- Non utilizzare l'apparecchio se è caduto o se l'apparecchio mostra segni di guasti, malfunzionamenti o fuoriuscite di liquidi. Fare controllare l'apparecchio da un centro d'assistenza autorizzato per evitare qualsiasi pericolo.
- Sincerarsi sempre che l'apparecchio sia spento, staccato dalla spina e si sia raffreddato prima di eseguire qualsiasi intervento di manutenzione.
- Non lasciare mai l'apparecchio senza sorveglianza quando è collegato alla presa e prima che si sia raffreddato.
- Non scollegare l'apparecchio dall'alimentazione tirando il cavo o lo stesso apparecchio.
- Non immergere mai il ferro, l'appoggiaferro, il cavo o le spine in acqua. Non posizionare mai il prodotto sotto un getto d'acqua.
- La piastra del ferro può diventare estremamente calda e può causare ustioni se la si tocca. Non toccare mai i cavi elettrici con la piastra.
- Se il cavo di alimentazione è danneggiato, richiederne la sostituzione al produttore, al servizio di assistenza autorizzato o a personale similmente qualificato per non correre rischi.



Capitolo 1.1 - Pannello di controllo

Interruttore On/Off (1A): Si illumina una spia sull'interruttore indicando che l'apparecchio è acceso. (Solo nei modelli per uso domestico).

Interruttore On/Off ferro (1G): Attivandolo, la piastra del ferro inizia a scaldarsi. Consigliato per la stiratura a secco. (solo con ferro professionale).

Interruttore on/off caldaia (1F): Attivandolo, la caldaia inizia a scaldarsi. Si tenga presente che l'interruttore del ferro (1G) deve essere attivato perché la caldaia si riscaldi. (solo con ferro professionale).

Quando l'apparecchio è attivato e la spia "Vapore pronto" (1D) è spenta, significa che il vapore è pronto. A questo punto si può premere il pulsante vapore e uscirà del vapore dalla piastra. Si tenga presente che durante l'uso la spia del vapore si attiverà, ma sarà comunque possibile continuare a stirare a vapore senza alcuna difficoltà.



Spia "Serbatoio acqua vuoto" (1B) accesa: Non c'è più acqua nel serbatoio. Rabboccare il serbatoio seguendo le istruzioni al capitolo 2.2

CALC
REMOVAL



Spia "risciacquo" (1E) accesa: Risciacquare la caldaia al fine di evitare depositi di calcare. Per ulteriori istruzioni fare riferimento al capitolo 4.2. (solo modelli: SRD 4106, SRD 4108, SRD 4110, SRP 4105)



Spia di spegnimento automatico (1C) accesa: Dopo 10 minuti di non utilizzo del vapore, la caldaia e il ferro iniziano a raffreddarsi. Per riavviare la stiratura, disinserire l'interruttore principale (1A). Occorrerà attendere che sia pronto un po' di vapore prima di ricominciare la stiratura. Per maggiori dettagli, fare riferimento al paragrafo sul led "vapore pronto". (solo modelli: SRD 4108, SRD 4110)

Capitolo 1.2 - Sistema di blocco

Per facilitare il trasporto e la conservazione del ferro, l'apparecchio è dotato di un sistema di blocco (2). Questo sistema blocca il ferro sul vassoio superiore. Diviene pertanto molto semplice spostare e riporre l'apparecchio. Attenersi alle istruzioni sotto riportate per bloccare il ferro sulla griglia appoggiaferro (3).



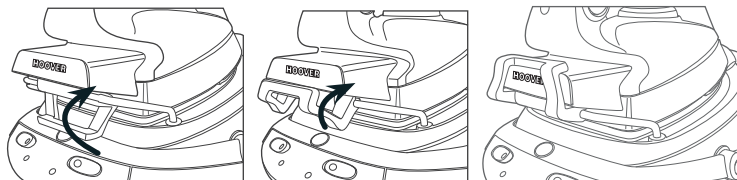


fig. 7: Sistema di blocco nei modelli per uso domestico

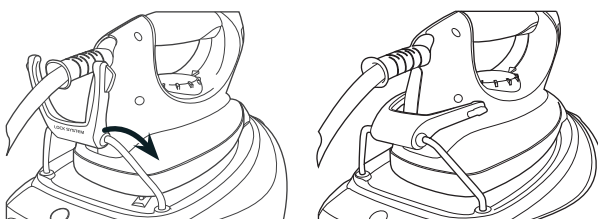


fig. 8: Sistema di blocco Pro Iron

Per sbloccarlo, fare l'opposto di quanto indicato dalle istruzioni.

Avvertenza: Non trasportare l'apparecchio tenendolo per la piastra. Servirsi dell'apposita impugnatura (4).

Capitolo 1.3 - Impugnatura da trasporto

Il prodotto è dotato di un'impugnatura da trasporto ergonomica (4) che Le consentirà di trasportare comodamente l'apparecchio quando necessario.

Prima dell'uso, assicurarsi che il ferro sia bloccato sulla griglia appoggiaferro (3). In caso contrario, attenersi alle istruzioni riportate al capitolo 1.2. Non dimenticare di riporre il cavo nell'apposito vano riponi-cavi (6) per il tubo flessibile e il cavo d'alimentazione. Assicurarsi anche che il serbatoio dell'acqua sia vuoto.

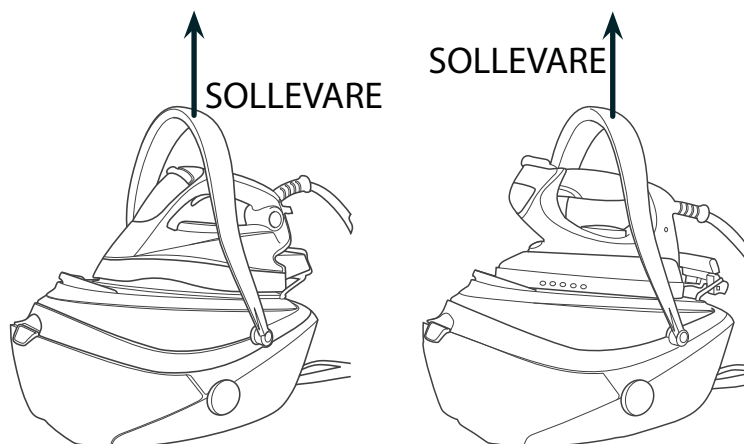


fig. 9: Grafico dell'impugnatura da trasporto



Capitolo 1.4 - Spegnimento automatico



Per comodità, nell'apparecchio è posto un interruttore che disattiva l'apparecchio automaticamente se non viene utilizzato per 10 minuti.

Sarà emesso un segnale acustico e si accenderà la spia dello spegnimento automatico (1C).

Per riattivare l'apparecchio, disinserire l'interruttore principale (1A) e attendere che si spenga il led vapore pronto (1D).

Capitolo 2: Preparazione per l'uso

Hoover consiglia di utilizzare un asse da stiro attivo con funzioni di soffiaggio e aspirazione che consenta la fuoriuscita di eventuali eccessi di vapore.

Collocare il sistema stirante su una superficie stabile e piana, ad esempio sulla parte rigida di un asse da stiro o su una superficie resistente al calore.

Capitolo 2.1 - Che tipo d'acqua si può utilizzare?

Il sistema stirante Hoover è stato concepito per l'uso con acqua del rubinetto. Non è necessario utilizzare acqua distillata o distillata pura. Ciononostante, qualora l'acqua sia molto calcarea, è possibile miscelare fino al 50% di acqua distillata con il 50% di acqua del rubinetto. Non utilizzare nessun altro tipo d'acqua né aggiungere alcunché al serbatoio d'acqua amovibile in quanto può danneggiare l'apparecchio.

Capitolo 2.2 - Riempimento del serbatoio dell'acqua

Rimuovere il serbatoio dell'acqua (5) dall'appoggio premendo il pulsante di sblocco del serbatoio dell'acqua (10). Riempirlo d'acqua del rubinetto. Non superare il livello massimo indicato. Rimettere il serbatoio nella posizione originale.

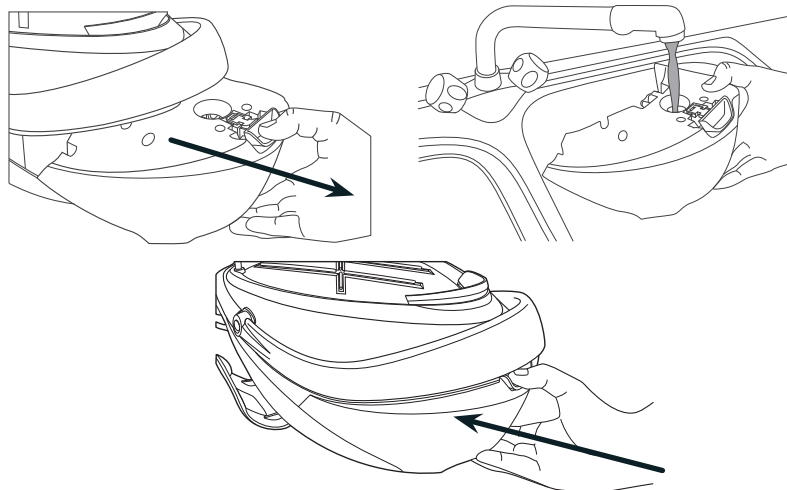


fig. 10: Grafico riempimento serbatoio acqua



Avvertenza: Non aggiungere aceto, acqua calda, profumo né alcun altro tipo di agente chimico o altro nel serbatoio dell'acqua. Potrebbe danneggiare il generatore di vapore.

Capitolo 2.3 - Accensione dell'apparecchio

Modelli di ferri per uso domestico:

Collegare l'apparecchio con il cavo d'alimentazione a una presa con contatto a terra. Premere il tasto d'accensione. La spia del tasto on/off (1a) si illuminerà, il che indica che l'apparecchio è in funzione e che la caldaia si sta riscaldando.

Dopo due minuti circa, si spegnerà la spia "vapore pronto" e a questo punto si potrà utilizzare il dispositivo di erogazione vapore.

Modelli di ferri professionali:

Collegare l'apparecchio con il cavo d'alimentazione a una presa con contatto a terra. Premere l'interruttore on/off del ferro (1g) e l'interruttore on/off della caldaia (1f). Si illumineranno le spie dei due interruttori indicando che l'apparecchio è in funzione. La piastra del ferro e la caldaia si stanno scaldando.

N.B.

La prima volta che viene utilizzato l'apparecchio, si potrebbe notare un pò di fumo e un odore ben percepibile. È del tutto normale e sono fenomeni destinati a scomparire rapidamente.

Capitolo 3: Utilizzo del generatore di vapore

Capitolo 3.1 - Regolazione della temperatura della piastra



Selezionare la temperatura della piastra ruotando la manopola (12) sul ferro fino alla posizione desiderata. Attendere qualche momento finché l'indicatore di temperatura (15) non sarà disinserito. Indicherà che la piastra ha raggiunto la temperatura richiesta.

Durante la stiratura, l'indicatore della temperatura può accendersi e spegnersi, poiché la temperatura si autoregola senza interrompere la stiratura.

Aiuto:

Verificare l'etichetta delle istruzioni di lavaggio del capo per selezionare la migliore temperatura per ciascun materiale tessile. Si tenga presente che la spia della temperatura si accende di tanto in tanto durante l'uso. Significa che il ferro si sta riscaldando alla temperatura impostata.

Se un tessuto da stirare è realizzato con vari tipi di fibre, selezionare sempre la temperatura della piastra idonea per il tessuto più delicato.

Se si seleziona una temperatura inferiore durante la stiratura, attendere che il ferro ritorni alla temperatura impostata prima di continuare a stirare.

Se la temperatura è troppo bassa, alcune gocce d'acqua potrebbero fuoriuscire dalla piastra. Aumentare la temperatura sopra i 2 punti (↔) per evitare questo problema



Capitolo 3.2 - Stiratura

Stiratura a secco

Modelli di ferri per uso domestico:

Selezionare la temperatura della piastra seguendo le indicazioni del capitolo 3.1. Quando la piastra raggiunge la temperatura richiesta, iniziare la stiratura senza premere il pulsante vapore (13).

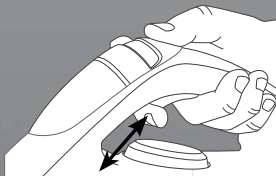
Modelli di ferri professionali:

Attivare solo l'interruttore del ferro da stiro (1g). Selezionare la temperatura della piastra seguendo le indicazioni del capitolo 3.1. Iniziare a stirare quando la piastra raggiunge la temperatura appropriata.

Stiratura a vapore

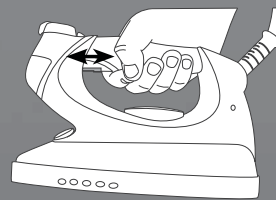
Selezionare la temperatura della piastra seguendo le indicazioni del capitolo 3.1. Quando è pronta la funzione vapore, si spegnerà la spia apposita (1d) sull'appoggiaferro. A partire da questo momento è possibile iniziare a stirare; premere quindi il pulsante vapore (13) per avere vapore. Il getto di vapore si arresta quando si rilascia il pulsante.

Si ha la possibilità di regolare il getto di vapore con il selettore Multi Steam Technology (14) per ottenere i migliori risultati. Fare riferimento all'apposito capitolo 3.3 che contiene ulteriori informazioni al riguardo.



Solo modelli di ferri professionali:

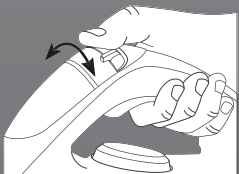
Funzione blocco vapore: Il blocco vapore consente di stirare a vapore senza dovere premere il pulsante vapore. Il getto di vapore in questo caso sarà continuo. Per attivare o disattivare il blocco del vapore, far scorrere il pulsante (26) avanti o indietro.



N.B.

Durante l'uso, può essere percepibile del rumore proveniente dal generatore di vapore. È normale. Significa che una pompa sta iniettando dell'acqua nel serbatoio. Si consiglia di non utilizzare il pulsante vapore in questo preciso momento per evitare una caduta di pressione.

Capitolo 3.3 - Come scegliere la corretta temperatura della piastra e del vapore?



Per ottenere i migliori risultati, è davvero importante impostare la corretta temperatura della piastra e del getto di vapore che si utilizza. Il vostro apparecchio Hoover dispone di un esclusivo selettore Multi Steam Technology (14), se correttamente utilizzato, semplifica la stiratura garantendo risultati eccezionali e rendendola più agevole e rapida.



Grazie all'innovativa Multi Steam Technology, questo ferro da stiro consente di ottenere ottimi risultati con il vapore sulla maggior parte dei materiali tessili. È possibile scegliere fra 3 impostazioni prestabilite: Diffuse caresses, Deep care e Precise power. Ogni impostazione adatta la potenza, l'umidità, e la direzione del getto di vapore consentendo di adattare il vapore al capo da stirare in modo da ottenere i migliori risultati.

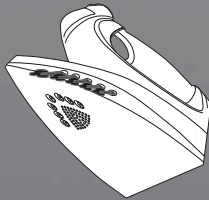
54 - IT





Consigli per ottenere i migliori risultati:

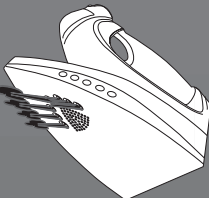
Tessuto	Tipo di vapore	T°C piastra
Tessuti con molte pieghe	Precise Power	***/Max
Zone difficili	Precise Power	**/**
Jeans	Profound care	Max
Cotone	Profound care	***
Lino	Profound care	Max
Indumenti inamidati	Profound care	***
Velvet/Alcantara	Profound care	**
Lana	Profound care	**
Seta	Diffuse caresse	**
Cashmere	Diffuse caresse	**
Rayon	Diffuse caresse	**
Poliestere	No	.
Nylon	No	.
Acrilico	No	.
Lycra	No	.
Polyamid	No	.



Diffuse caresses

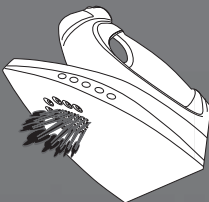
Questo getto di vapore, morbido e delicato, è ideale per stirare i tessuti più delicati come seta e cashmere. Un getto di vapore ridotto viene erogato accuratamente su un'ampia parte del tessuto.

Il vapore raggiunge in profondità le fibre, rimuovendo rapidamente le pieghe senza danneggiare il capo.



Precise Power

Il getto di vapore è concentrato nella parte alta della piastra. Permette di stirare le parti più difficili degli indumenti come bottoni, maniche e passanti, grazie al flusso di vapore concentrato e costante. Le zone difficili vengono meglio umidificate e di conseguenza le grinze vengono rimosse più rapidamente.



Profound care

Con un getto forte e umido di vapore verticale si rimuovono rapidamente e facilmente le pieghe dai tessuti più comuni. Il vapore arriva in profondità nelle fibre e la piastra asciuga il capo. Le pieghe sono pertanto rimosse velocemente.

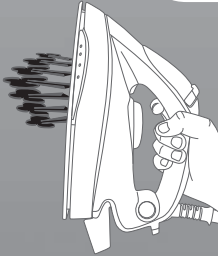
Aiuto

Quando si stirano a vapore dei capi su cui possono apparire macchie lucide, si consiglia di regolare la piastra a una temperatura inferiore oppure di stirare il capo sul rovescio.

*Iniziare con tessuti che devono essere stirati a una temperatura inferiore (-) e terminare con quelli che devono essere stirati a una temperatura superiore (***/Max).*

55 - IT





Capitolo 3.4 - Stiratura verticale a vapore

Regolare la piastra (12) sulla massima temperatura e impostare il selettore Multi Steam Technology (14) sul programma *Profound care*.

Appendere tende ed indumenti (giacche, abiti, cappotti). Mantenere la spazzola in posizione verticale a una breve distanza dal tessuto in modo da evitare di bruciarlo. Premere il pulsante vapore (13) per stirarlo a vapore dall'alto verso il basso.

Avvertenza: Non dirigere il getto di vapore verso persone o animali.

Capitolo 3.5 - Rabbocco del serbatoio dell'acqua durante l'uso

È possibile riempire il serbatoio dell'acqua in qualsiasi momento durante l'uso.

Quando il serbatoio dell'acqua è vuoto, si accende la spia "Serbatoio acqua vuoto" (1b). A questo punto non fuoriesce più alcun getto di vapore dalla piastra.

Rimuovere il serbatoio dall'appoggio premendo il pulsante del serbatoio (10). Rabboccare il serbatoio senza superare la tacca di livello massimo. Rimettere il serbatoio dell'acqua nella posizione originale. Potete immediatamente ricominciare a stirare.

Fare riferimento al capitolo 2.2 che contiene ulteriori informazioni al riguardo.

Capitolo 3.6 - Spazzola a vapore professionale (solo per SRD4110)

La spazzola a vapore professionale fissata al sistema stirante può essere utilizzata per stirare in posizione verticale in modo da rimuovere facilmente le grinze su tessuti delicati, per rimuovere gli odori o rigenerare i capi.

Prima di utilizzare la spazzola a vapore, assicurarsi che il sistema stirante sia riempito d'acqua. Accendere l'apparecchio e, quando si accende il LED vapore pronto, la spazzola a vapore è pronta per l'uso. Premere il pulsante del vapore sulla spazzola per erogare il vapore.

Avvertenza: Non dirigere il getto di vapore verso persone o animali.

Capitolo 4: Manutenzione e pulizia

Per prevenire rischi di ustioni, tutte le operazioni di manutenzione e pulizia devono essere eseguite solo una volta che l'apparecchio, scollegato dalla rete elettrica, si è raffreddato per almeno 2 ore.

Capitolo 4.1 - Pulizia dell'apparecchio

Non utilizzare detersivi o prodotti anticalcare per pulire la piastra. Pulirla regolarmente con un panno umido e non abrasivo.

Utilizzare panni morbidi per pulire le parti in plastica dell'appoggiaferro.



Capitolo 4.2 - Risciacquo della caldaia per la manutenzione anticalcare

Per garantire una lunga durata dell'apparecchio, risciacquare la caldaia per evitare la formazione di depositi di calcare nella caldaia stessa. Risciacquare la caldaia ogni 2 mesi o per i modelli SRD 4106, SRD 4108, SRD 4110 e SRP 4105 attendere che la spia "risciacquo" (1e) lampeggi.

Modelli con spia "risciacquo"

Quando la spia "risciacquo" lampeggia, potete continuare a stirare normalmente. Ricordarsi solo di pulire la caldaia prima del prossimo utilizzo del ferro. Procedere come di seguito:

Prima di procedere, assicurarsi che l'apparecchio si sia raffreddato e sia rimasto scollegato dalla corrente per almeno 2 ore.

Collocare l'appoggiaferro sul bordo del lavello e collocare il ferro su una superficie piana. Rimuovere il tappo di rimozione del calcare (10). Svitare il tappo di sicurezza per il risciacquo caldaia in senso antiorario con una moneta e rimuoverlo. Riempire la caldaia con 0,2 litri d'acqua di rubinetto utilizzando un imbuto e una bottiglia. Scuotere l'appoggiaferro e quindi svuotare completamente la caldaia. Si consiglia di ripetere due volte quest'operazione. Avvitare il tappo di sicurezza per il risciacquo della caldaia con una moneta e ricollocare in sede il tappo di rimozione del calcare (10).

La volta successiva che l'apparecchio verrà collegato alla rete elettrica e acceso, la spia di risciacquo (1e) continuerà a lampeggiare. Resettare l'apparecchio premendo la spia di risciacquo e si potrà subito iniziare a stirare.

Modelli senza spia "risciacquo"

Prima di procedere, assicurarsi che l'apparecchio si sia raffreddato e sia rimasto scollegato dalla corrente per almeno 2 ore.

Collocare l'appoggiaferro sul bordo del lavello e collocare il ferro su una superficie piana. Rimuovere il tappo di rimozione del calcare (17). Svitare il tappo di sicurezza per il risciacquo caldaia in senso antiorario con una moneta e rimuoverlo. Riempire la caldaia con 0,2 litri d'acqua di rubinetto utilizzando un imbuto e una bottiglia. Scuotere l'appoggiaferro e quindi svuotare completamente la caldaia. Si consiglia di ripetere due volte quest'operazione. Avvitare il tappo di sicurezza per il risciacquo della caldaia con una moneta e ricollocare in sede il tappo di rimozione del calcare (17).

In ogni caso non utilizzare prodotti anticalcare per pulire o risciacquare la caldaia.

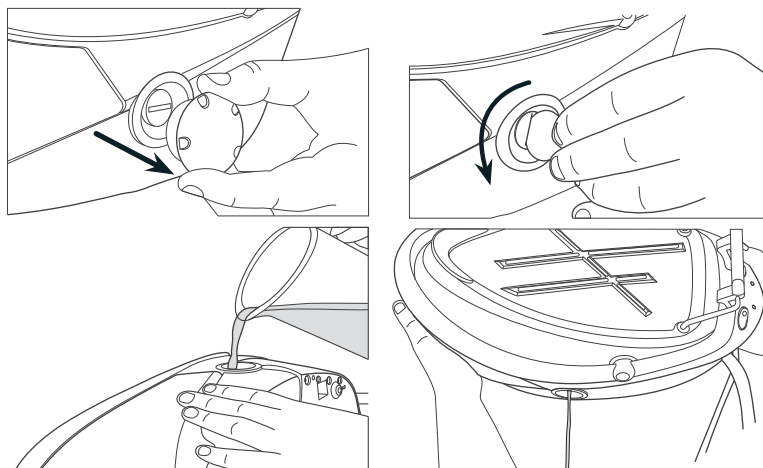
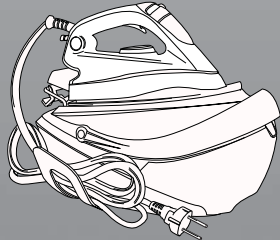


fig. 11: Operazione di pulizia



Capitolo 4.3 - Conservazione



Collocare il ferro sulla griglia appoggiaferro resistente al calore (3).

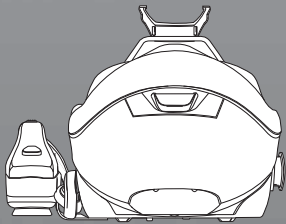
Spegnere l'apparecchio e staccare la spina.

Svuotare il serbatoio dell'acqua.

Attendere almeno 30 minuti lasciando raffreddare la piastra e il generatore.

Bloccare il ferro con il sistema blocca ferro (2). Per ulteriori istruzioni fare riferimento all'apposito capitolo 1.2.

Riporre i cavi del vapore e i cavi elettrici nel dispositivo avvolgicavo (6).



Per il modello SRD 41110, collocare la spazzola a vapore sull'apposito supporto e il cavo elettrico nell'apposito vano riponi-cavi.

Utilizzare l'impugnatura (4) per trasportare l'apparecchio seguendo le istruzioni al capitolo 1.3.

A questo punto l'apparecchio può essere trasportato e riposto.





Risoluzione dei problemi

Piobema	Causa	Soluzione
L'apparecchio non si riscalda	Problema di collegamento	Controllare il cavo di rete, la spina e la presa a parete
	L'apparecchio non è acceso	Premere l'interruttore on/off
	La temperatura della piastra è troppo bassa	Impostare una temperatura più elevata della piastra
L'apparecchio non produce vapore	L'apparecchio non è acceso	Premere l'interruttore on/off
	La caldaia non si è ancora scaldata	Attendere qualche momento perché si spenga il LED di pronto vapore
	Il serbatoio dell'acqua potrebbe essere vuoto	Rabboccare il serbatoio dell'acqua
	Non si sta premendo il pulsante vapore	Premere il pulsante vapore
La temperatura della piastra è impostata al massimo	Funziona, ma il vapore non è visibile in quanto molto caldo e asciutto	
Il vapore fuoriesce dal tappo di rimozione del calcare mentre si stira	La valvola rimozione calcare non è sufficientemente serrata	Spegnere l'apparecchio e lasciarlo raffreddare. Rimuovere il tappo rimozione calcare e stringere la valvola correttamente
	La valvola anticalcare è danneggiata	Contattare l'assistenza tecnica
Il LED del serbatoio acqua vuoto è acceso	Non c'è più acqua nel serbatoio	Rabboccare d'acqua il serbatoio dell'acqua
La piastra è sporca o di colore marrone.	Non devono essere presenti sostanze chimiche o additivi nell'acqua impiegata per stirare	Non utilizzare mai sostanze chimiche o additivi nell'acqua. Contattare il servizio di assistenza tecnica, se la biancheria è ancora sporca
	I capi sono ancora sporchi	Pulire la piastra con una spugna non metallica
Appaiono delle tracce d'acqua sul tessuto	Il copriasse stiro è saturo d'acqua	Cambiare il copriasse o utilizzare un asse da stiro a rete
Appare qualche deposito di calcare sulla piastra	La caldaia non viene risciacquata da un pò di tempo	Attenersi alle indicazioni nel capitolo appropriato





Informazioni importanti

Parti di ricambio e di consumo Hoover

Utilizzare sempre parti di ricambio originali Hoover, che è possibile acquistare dal distributore locale Hoover o direttamente sul sito internet Hoover. Quando si ordinano delle parti di ricambio, controllare sempre il numero di modello dell'apparecchio utilizzato.

Assistenza Hoover

Per richiedere assistenza in qualsiasi momento, contattare il centro assistenza Hoover più vicino. I dettagli per il contatto sono riportati sotto.

Sicurezza

Hoover ritiene che una certificazione indipendente sia il miglior modo di dimostrare che un prodotto è sicuro a livello di progettazione e fabbricazione. L' "Istituto del Marchio di Qualità" (IMQ), ente nazionale italiano indipendente che certifica la sicurezza degli elettrodomestici, assicura che le norme di sicurezza europee sono state soddisfatte e sono mantenute in essere per l'intera vita di produzione di un apparecchio. A tutti gli apparecchi che risultano soddisfare i requisiti è consentito recare il marchio di sicurezza IMQ.

Qualità

ISO 9001

La qualità degli stabilimenti Hoover è stata sottoposta a valutazione indipendente. I nostri prodotti vengono realizzati mediante un sistema di qualità che soddisfa i requisiti ISO 9001.

Ambiente:

L'apparecchio è stato ritenuto conforme alla Direttiva europea WEEE (RAEE) 2002/96/EC sulla gestione dei rifiuti da apparecchiature elettriche ed elettroniche. Garantendo il corretto smaltimento del prodotto, il cliente contribuisce alla salvaguardia della salute delle persone e alla protezione dell'ambiente che potrebbero altrimenti essere compromessi da uno smaltimento eseguito in maniera non idonea.

Il simbolo apposto sul prodotto indica che lo stesso non può essere smaltito come i normali rifiuti domestici, bensì deve essere portato al punto di raccolta o al centro di riciclaggio delle apparecchiature elettriche ed elettroniche più vicino.

Lo smaltimento deve essere eseguito in conformità alle normative locali vigenti per la salvaguardia dell'ambiente e lo smaltimento dei rifiuti.

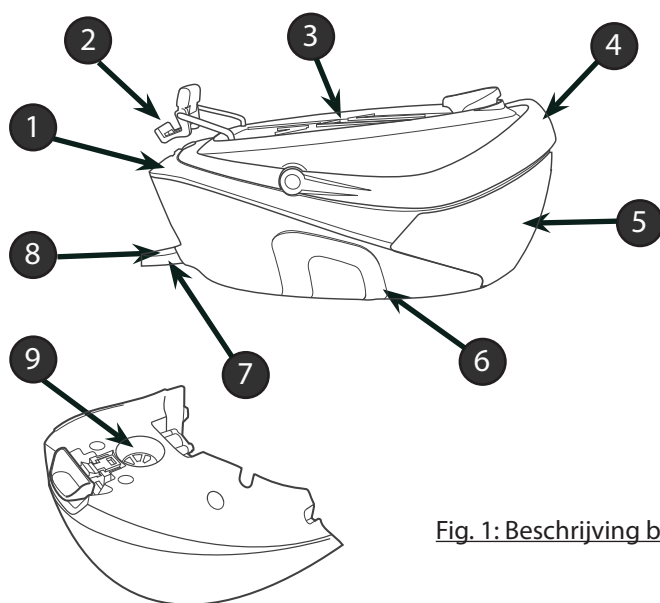
Per ulteriori informazioni sul trattamento, il recupero e il riciclaggio di questo prodotto, contattare l'unità territoriale competente per il servizio di smaltimento o il negozio in cui il prodotto è stato acquistato.

Regolamento per la garanzia

Le condizioni di garanzia relative a questo apparecchio sono definite dal rappresentante Hoover nel Paese di vendita. Per conoscere in dettaglio le condizioni, rivolgersi al distributore Hoover presso il quale l'apparecchio è stato acquistato. Per ogni contestazione ai sensi dei termini della garanzia, è necessario mostrare la fattura o un documento di acquisto equipollente.

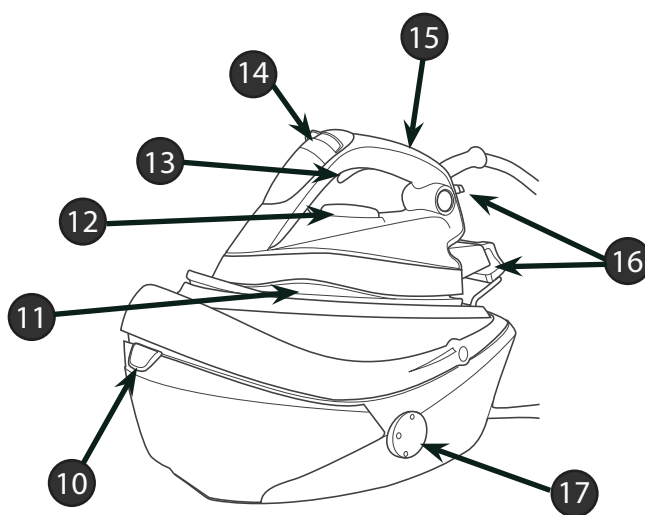
Queste condizioni potrebbero venire modificate senza obbligo di preavviso.





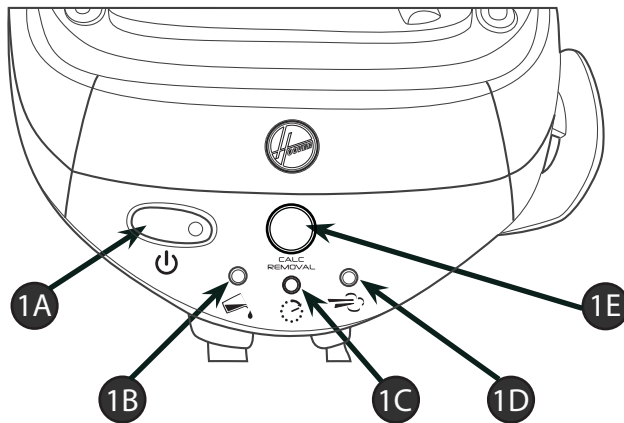
1	Besturingspaneel
2	Strijkijzervergrendelsysteem
3	Matje voor strijkijzer
4	Draaggreep
5	Verwijderbaar waterreservoir
6	Opbergplek voor slangen en snoeren
7	Snoer
8	Toevoerslang
9	Vulgat

Fig. 1: Beschrijving basis en reservoir



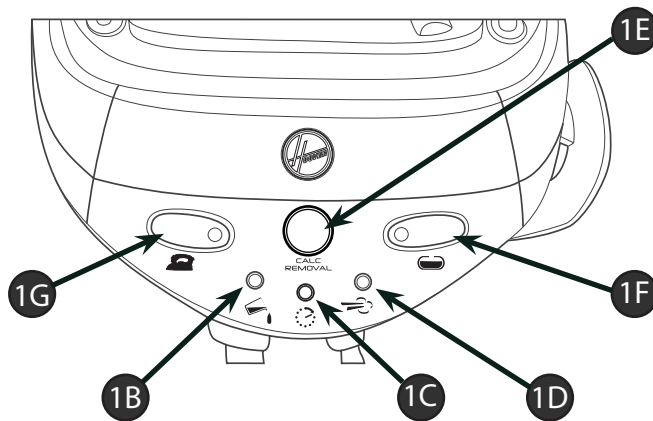
10	Knop verwijderbaar waterreservoir
11	Bodemplaat
12	Temperatuurwiel bodemplaat
13	Stoomknop
14	Multi-Steam Technology keuzeknop
15	Temperatuurindicator bodemplaat
16	Bekleding voor verticale positionering
17	Kalkverwijderdop

Fig. 2: Beschrijving strijkijzer



1A	Aan/uit strijkijzer met Stroom aan lampje
1B	"Waterreservoir leeg" lampje
1C	"Automatische uitschakeling" lampje
1D	"Stoom klaar" lampje
1E	Indicator warmwaterreservoir spoelen en resetten

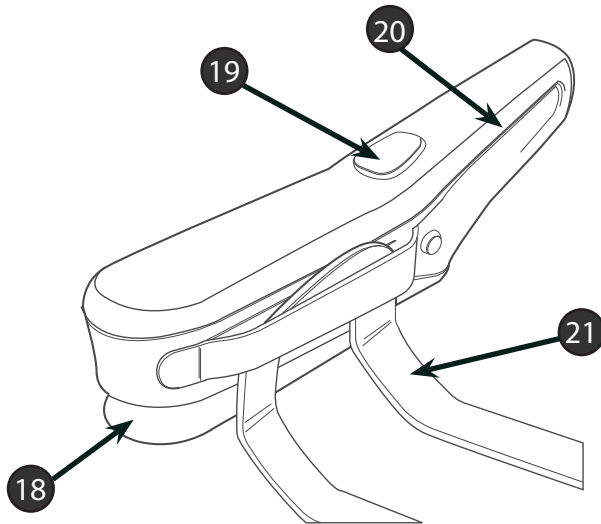
Fig. 3: Besturingspaneel strijkijzer



1F	Aan/uit strijkijzer met Stroom aan lampje
1G	Aan/uit strijkijzer met Stroom aan lampje

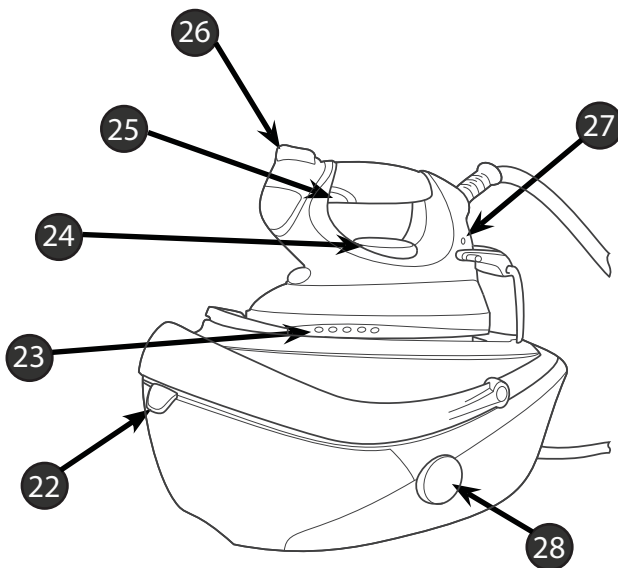
Fig. 4: Besturingspaneel professioneel strijkijzer





18	Borstels
19	Stoomknop
20	Comfortgreep
21	Professionele borstelsteun en snoeropbergplek

Fig. 5: Professionele stoomborstel



22	Knop verwijderbaar waterreservoir
23	Bodemplaat
24	Temperatuurwiel bodemplaat
25	Stoomknop en Stoomknopvergrendeling
26	Multi-Steam Technology keuzeknop
27	Temperatuurindicator bodemplaat
28	Kalkverwijderdop

Fig. 6: Beschrijving professioneel strijkijzer



Inleiding

Geachte klant,

Allereerst willen wij u feliciteren met uw aankoop van dit strijsysteem van Hoover en willen wij u bedanken voor het vertrouwen dat u heeft gesteld in het merk Hoover.

Dit apparaat is met grote zorg geproduceerd met in achtneming van al onze kwaliteitscriteria en is enkele malen getest. Wij hopen dat het aan uw verwachtingen voldoet. Wij zijn ervan overtuigd dat u veel sneller en beter zult strijken.

Lees deze handleiding zorgvuldig door voordat u uw nieuwe Hoover-apparaat gaat gebruiken. Als u meer informatie wilt of u heeft een probleem dat niet in deze handleiding vermeld wordt, neem dan alstublieft contact op met de after-sales afdeling of de winkel waar u hem gekocht heeft.

Belangrijke veiligheidsinstructies

Lees deze handleiding zorgvuldig door voordat u het apparaat voor de eerste keer gebruikt en bewaar hem.

- Dit product is alleen ontworpen voor huishoudelijk gebruik. In het geval van commercieel gebruik, oneigenlijk gebruik of het niet nakomen van de instructies, is de producent niet verantwoordelijk en is de garantie vervallen.
- Controleer alvorens het apparaat aan te sluiten of de netspanning hetzelfde is als de spanning die wordt aangegeven op het apparaat en dat het stopcontact geaard is.
- Zorg ervoor dat voor ieder gebruik het snoer of andere belangrijke onderdelen niet beschadigd zijn.
- Dit apparaat is niet bedoeld voor gebruik door kinderen of personen met verminderde fysieke, zintuiglijke of geestelijk vermogens, behalve als zij voldoende begeleid worden in het gebruik door een volwassene die verantwoordelijk is voor hun veiligheid.
- Kinderen dienen begeleid te worden om ervoor te zorgen dat zij niet met het apparaat gaan spelen.
- Het strijkijzer dient op een vlakke en stabiele ondergrond geplaatst en gebruikt worden. Zorg er bij het op de standaard plaatsen van het strijkijzer voor dat het oppervlak waar u hem op plaatst vlak is.
- Nooit stoom op mensen of dieren richten. Nooit de stoomstoot op andere elektrische en/of elektronische apparaten richten.
- Het apparaat niet gebruiken als deze gevallen is of als het apparaat lekt of niet goed werkt. Laat het dan controleren door een bevoegd Servicecenter om gevaar te voorkomen.
- Zorg er altijd voor dat het apparaat uitgeschakeld is, uit het stopcontact gehaald is en afgekoeld is alvorens onderhoudswerkzaamheden uit te voeren.
- Laat nooit het apparaat onbewaakt achter als het in het stopcontact zit en voordat het afgekoeld is.
- Haal de stekker niet uit het stopcontact door aan het snoer of het apparaat te trekken.
- Dompel het strijkijzer, de standaard, het snoer en de stekkers niet onder water. Houd ze nooit onder de kraan.
- De strijkvoet van het strijkijzer kan zeer heet worden en brandwonden veroorzaken als het aangeraakt wordt. Met de bodemplaat nooit elektrische snoeren aanraken.
- Als het snoer beschadigd is, dient het vervangen te worden door de producent, onderhoudsmonteur of vergelijkbare bevoegde personen om alle risico's te vermijden.



Hoofdstuk 1.1 - Besturingspaneel

Aan/uit schakelaar (1A): Er zal een lampje gaan branden op de schakelaar om aan te geven dat het apparaat aan staat (Alleen modellen met strijkijzers voor huishoudelijk gebruik).

Aan/uit strijkijzer (1G): De bodemplaat (strijkvoet) van het strijkijzer zal opwarmen als het aangezet wordt. Aanbevolen voor droog strijken. (alleen met professioneel strijkijzer).

Aan/uit warmwaterreservoir (1F): Het warmwaterreservoir zal opwarmen als het aangezet wordt. Let op dat de schakelaar van het strijkijzer (1G) aangezet moet worden zodat het warmwaterreservoir kan opwarmen (alleen met professioneel strijkijzer).

Als het apparaat aan staat en het lampje "Stoom klaar" (1D) is uit, betekent dit dat de stoom klaar is. U kunt op de stoomknop drukken en er zal stoom uit de strijkvoet komen. Let op, tijdens het gebruik zal het lampje van tijd tot tijd aan gaan, maar u kunt zonder problemen doorgaan met het strijken met stoom.



"Waterreservoir leeg" lampje (1B) staat aan: Er zit geen water meer in het reservoir. Vul het reservoir volgens de instructies in hoofdstuk 2.2

CALC
REMOVAL



"Spoelindicatie" lampje (1E) staat aan: U dient het warmwaterreservoir te spoelen om kalkvorming te voorkomen. Zie hoofdstuk 4.2 voor verdere instructies. (alleen modellen: SRD 4106, SRD 4108, SRD 4110, SRP 4105)



"Auto uitschakeling" lampje (1C) staat aan: Als er 10 min geen stoom gebruikt wordt, zullen het warmwaterreservoir en het strijkijzer gaan afkoelen. Om weer te beginnen met strijken, uitschakelen bij de hoofdschakelaar (1A). U zult moeten wachten tot er een beetje stoom klaar is voordat u weer kunt beginnen met strijken. Zie de paragraaf over de stoom klaar led voor meer informatie. (alleen modellen: SRD 4108, SRD 4110)

Hoofdstuk 1.2 - Vergrendelsysteem

Voor het dragen en opbergen van uw strijksysteem, is uw apparaat uitgerust met een vergrendelsysteem (2). Dit systeem vergrendelt het strijkijzer op het bovenste rek. Hierdoor kan het apparaat heel eenvoudig verplaatst en opgeborgen worden. Volg de instructies hieronder voor het op de juiste manier vergrendelen van uw strijkijzer op het rek (3).



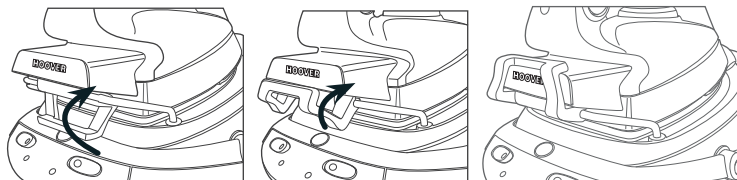


Fig. 7: Vergrendelsysteem voor strijkijzer voor huishoudelijk gebruik

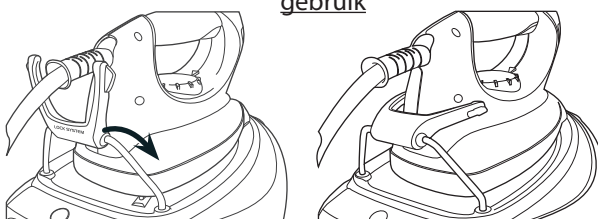


Fig. 8: Vergrendelsysteem voor professioneel strijkijzer

Volg de instructies van achter naar voren om het te ontgrendelen.

Waarschuwing: Draag het apparaat niet aan het strijkijzer. Gebruik hiervoor het ontworpen handvat (4).

Hoofdstuk 1.3 - Draaggreep

Uw stoomgenerator is uitgerust met een ergonomische draaggreep (4) waardoor u uw apparaat eenvoudig kunt verplaatsen indien nodig.

Zorg ervoor, voordat u de draaggreep gebruikt, dat het strijkijzer vergrendeld is op het rek (3). Indien dit niet het geval is, de instructies in hoofdstuk 1.2 volgen. Vergeet ook niet het snoer in de ruimte (6) bestemd voor slang en snoeren op te bergen. Zorg er ook voor dat het waterreservoir leeg is.

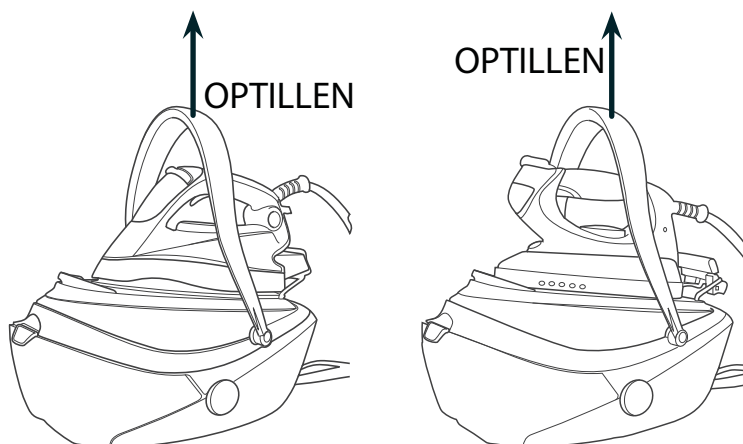


Fig. 9: Draaggreep plaatje



Hoofdstuk 1.4 - Auto Uitschakeling

Voor uw gemak is het apparaat uitgerust met een schakelaar dat automatisch uitgeschakeld wordt als het apparaat langer dan 10 minuten niet gebruikt wordt.

Om u dit te laten weten, hoort u een zoemgeluid en het lampje van de auto uitschakeling (1C) gaat branden.

Schakel uit bij de hoofdschakelaar (1A) om het apparaat te reactiveren en wacht tot de stoom klaar led (1D) uitgaat.

Hoofdstuk 2: Voorbereiden voor gebruik

Door de krachtige stoomuitgifte raadt Hoover aan een actieve strijkplank te gebruiken met blaas- en zuigfunctie zodat overtollige stoom weg kan.

Plaats het strijksysteem op een stabiele en vlakke ondergrond, bijvoorbeeld op het harde gedeelte van een strijkplank of op een hittebestendig oppervlak.

Hoofdstuk 2.1 - Welk soort water kan er gebruikt worden?

Het Hoover strijksysteem is zo ontworpen dat het alleen met kraanwater gebruikt kan worden. Er is geen gedistilleerd of puur gedistilleerd water nodig. Echter als het water erg hard is, kunt u 50% gedistilleerd water mengen met 50% kraanwater. gebruik geen ander soort water of voeg niets toe aan het verwijderbare waterreservoir omdat uw apparaat beschadigd kan raken.

Hoofdstuk 2.2 - Het waterreservoir vullen

Verwijder het waterreservoir (5) uit de houder door op de knop van het waterreservoir (10) te drukken. Vul het met kraanwater. Kom niet boven de max. markering. Plaats het reservoir terug op de oorspronkelijke plek.

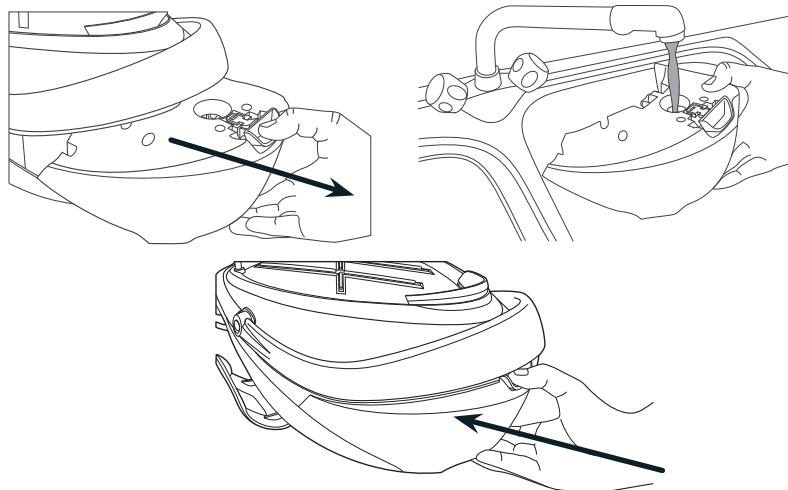


Fig.10: Afbeelding: vullen van het waterreservoir





Hoofdstuk 3.2 - Strijken

Droog strijken

Strijkijzermodellen voor huishoudelijk gebruik:

Kies de temperatuur van de strijkvoet volgens de aanwijzingen in hoofdstuk 3.1 Begin te strijken zonder de stoomknop (13) in te drukken, als de strijkvoet de juiste temperatuur heeft bereikt.

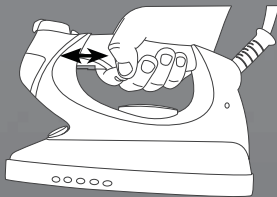
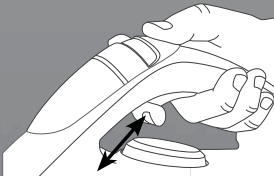
Professionele strijkijzermodellen:

Zet alleen de schakelaar van het strijkijzer (1g) aan. Kies de temperatuur van de strijkvoet volgens de aanwijzingen in hoofdstuk 3.1 Begin met strijken als de strijkvoet de juiste temperatuur heeft bereikt.

Strijken met stoom

Kies de temperatuur van de strijkvoet volgens de aanwijzingen in hoofdstuk 3.1 Op de standaard zal het aangegeven lampje (1d) uitgaan als de stoom klaar voor gebruik is. Vanaf dat moment kunt u beginnen met strijken en de stoomknop (13) indrukken voor stoom. De stoomstroom stopt als u de knop loslaat.

U kunt de stoomstroom reguleren met de Multi-Steam-Technology schakelaar (14) voor de beste resultaten. Zie hoofdstuk 3.3 hierover voor meer informatie.



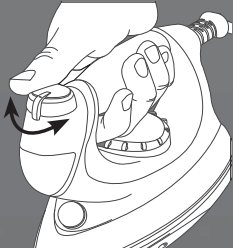
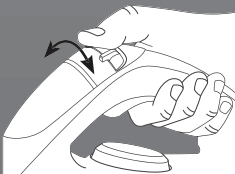
Alleen professionele strijkijzermodellen:

Stoomvergrendelfunctie: De stoomvergrendeling laat u met stoom strijken zonder de stoomknop in te hoeven drukken. Stoom zal dus constant vrijkomen. Schuif de stoomvergrendeling (26) naar voren of naar achter om hem te activeren of deactiveren.

N.B.

Tijdens het gebruik kan de stoomgenerator geluid maken. Dit is heel normaal. Dit geeft aan dat de pomp water in het warmwaterreservoir pompt. Het is beter om de stoomknop op zo'n moment niet te gebruiken om drukverlies te voorkomen.

Hoofdstuk 3.3 - Het kiezen van de juiste temperatuur van de strijkvoet en de stoom.



Voor de beste resultaten is het belangrijk de temperatuur van de strijkvoet en de stoomstroom perfect in te stellen. Uw Hoover-apparaat is uitgerust met de unieke Multi-Steam schakelaar (14) waarmee u bij correct gebruik uitstekende resultaten kunt bereiken en het strijken zal vergemakkelijken en sneller zal maken.

Dankzij de innovatieve Multi-Steam Technology kunt u stoom gebruiken bij de meeste stoffen voor de beste resultaten ooit. U kunt kiezen uit 3 vooringestelde instellingen: Diffuse caress, Deep care en Precise power. Iedere instelling zal de kracht, vochtigheid en de richting van de stoomstroom aanpassen en daardoor zal de stoomstroom aangepast worden aan de te strijken stof.

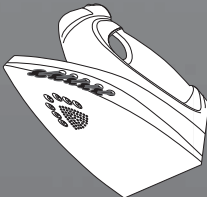
69 - NL





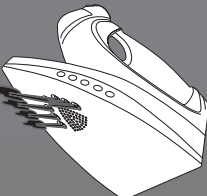
Hier volgen enkele aanbeveling voor het verkrijgen van de beste resultaten:

Stof	Stoomsoort	T°C strijkvoet
Gekreukelde stoffen	Precise Power	•••/Max
Moeilijke plek	Precise Power	••/•••
Spijkerstof	Profound Care	Max
Katoen	Profound Care	•••
Linnen	Profound Care	Max
Gesteven kleding	Profound Care	•••
Fluweel/Alcantara	Profound Care	••
Wol	Profound Care	••
Zijde	Diffuse Caresse	••
Kasjmier	Diffuse Caresse	••
Kunstzijde	Diffuse Caresse	••
Polyester	Nee	•
Nylon	Nee	•
Acryl	Nee	•
Lycra	Nee	•
Polyamide	Nee	•



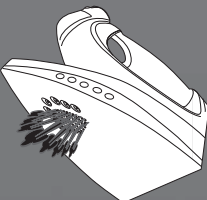
Diffuse Caresse

Deze stroom is erop gericht met grote zorg de meest kwetsbare stoffen te strijken, zoals zijde en cashmere, met een zachte stroom. Een verminderde stroom wordt zorgvuldig voor het strijkijzer over een groot deel van de stof verspreid. Vezels komen dan beter los om sneller en beter alle vouwen te verwijderen.



Precise Power

De stoom is gericht op de punt. Hierdoor kun je op de moeilijkste plekken komen, zoals knopen, mouwen en lusjes, door de geconcentreerde stroom aan de punt en biedt een constante, geconcentreerde en krachtige stoot. Moeilijke plekken worden beter vochtig gemaakt en kunnen kreuken sneller verwijderd worden.



Profound Care

et deze verticale stroom kunnen kreuken sneller en gemakkelijker uit allerlei stoffen gehaald worden met een sterke en vochtige jet. Stoom dringt beter door in de vezels en de grote strijkvoet droogt de stof. Dus worden kreuken sneller verwijderd.

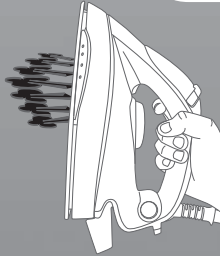
Help

Bij het strijken van kleding waarop glanzende plekken kunnen verschijnen, raden wij aan dat u de temperatuur van de bodemplaat lager zet of dat u het kledingstuk aan de binnenkant strijkt.

Begin met de stoffen die op een lage temperatuur (•) gestreken moeten worden en eindig met de stoffen die op hogere temperaturen (•••/Max) gestreken moeten worden.

70 - NL





Hoofdstuk 3.4 - Verticaal strijken met stoom

Zet de temperatuur van de strijkvoet (12) op maximaal en zet de Multi-Steam Technology schakelaar (14) op het Profound care-programma.

Hang gordijnen en kleding op (jacks, pakken, jassen). Houd het strijkijzer in een verticale positie op korte afstand van de stof om brandgaten te voorkomen. Druk de stoomschakelaar (13) in en beweeg het strijkijzer van boven naar beneden.

Waarschuwing: Richt de stoomstoot niet op mensen of dieren.

Hoofdstuk 3.5 - Het waterreservoir bijvullen tijdens gebruik

U kunt het waterreservoir op elk moment tijdens het gebruik bijvullen.

Als het waterreservoir leeg is, gaat het "Lege waterreservoir" (1b) lampje branden. Er komt geen stoom meer uit de strijkvoet en strijken met stoom is niet langer mogelijk.

Verwijder het reservoir uit de houder door op de knop van het reservoir (10) te drukken. Vul het waterreservoir bij tot aan de aanduiding max. Plaats het waterreservoir terug op de oorspronkelijke plek. U kunt direct doorgaan met strijken.

Zie hoofdstuk 2.2 voor verdere gedetailleerde instructies.

Hoofdstuk 3.6 - Professionele stoomborstel (alleen SRD4110)

De professionele stoomborstel van uw strijksysteem kan gebruikt worden om verticaal te strijken om gemakkelijker vouwen en kreukels uit kwetsbare stoffen te halen, vervelende geurtjes te verwijderen, zoals rook, en gedragen kleding op te frissen.

Zorg ervoor dat het strijksysteem gevuld is met water voordat u de stoomborstel gebruikt. Zet het apparaat aan en als het LED stoom klaar gaat branden, is de stoomborstel klaar voor gebruik. Druk de stoomknop in om met het reinigen te beginnen.

Waarschuwing: Richt de stoomstoot niet op mensen of dieren.

Hoofdstuk 4: Onderhoud en reinigen

Alle onderhouds- en reinigingswerkzaamheden dienen te worden uitgevoerd als de stekker uit het stopcontact is en het apparaat minstens 2 uur lang is afgekoeld om het risico op brandwonden te voorkomen.

Hoofdstuk 4.1 - Het apparaat reinigen

Gebruik geen schoonmaak- of ontkalkingsmiddel voor het reinigen van de strijkvoet. Reinig hem regelmatig met een vochtige, zachte doek.

Gebruik voor het reinigen van de plastic onderdelen van de standaard zachte doeken.



Hoofdstuk 4.2 - Het reservoir spoelen tegen kalkvorming

Om de levensduur van uw apparaat te verlengen, dient u het reservoir uit te spoelen om kalkvorming in het warmwaterreservoir te voorkomen. U dient hem iedere 2 maanden om te spoelen of bij modellen SRD 4106, SRD 4108, SRD 4110 en SRP 4105 kunt u wachtent tot het "spoel" lampje (1e) gaat knipperen.

Modellen met "spoel" lampje

Als het spoel lampje (1e) knippert, kunt u normaal doorgaan met strijken. Onthoud echter dat het reservoir schoongemaakt moet worden voordat u de volgende keer gaat strijken. Ga als volgt te werk:

Zorg ervoor dat de stekker van het apparaat uit het stopcontact is gehaald en minstens 2 uur is afgekoeld voordat u verder gaat.

Plaats de standaard op de rand van uw vaatbak en zet het strijkijzer op een vlakke ondergrond. Verwijder de kalkverwijderdop (10). Schroef de veiligheidsdop naar links los met een munt en verwijder hem. Vul de boiler met 0,2 liter kraanwater met behulp van een fles en trechter. Schud de standaard en leeg het reservoir helemaal door het water in de vaatbak te schudden. Wij raden u aan deze handeling twee keer te herhalen. Schroef de veiligheidsdop terug met een munt en plaats de kalkverwijderdop terug (10).

De volgende keer dat u uw apparaat aanzet, zal het spoel lampje (1e) blijven knipperen. Reset het apparaat door op de spoelindicatie te drukken en u kunt direct beginnen met strijken.

Modellen zonder "spoel" lampje

Zorg ervoor dat de stekker van het apparaat uit het stopcontact is gehaald en minstens 2 uur is afgekoeld voordat u verder gaat.

Plaats de standaard op de rand van uw vaatbak en zet het strijkijzer op een vlakke ondergrond. Verwijder de kalkverwijderdop (17). Schroef de veiligheidsdop naar links los met een munt en verwijder hem. Vul de boiler met 0,2 liter kraanwater met behulp van een fles en trechter. Schud de standaard en leeg het reservoir helemaal door het water in de vaatbak te schudden. Wij raden u aan deze handeling twee keer te herhalen. Schroef de veiligheidsdop terug met een munt en plaats de kalkverwijderdop terug (17).

Gebruik in geen geval ontkalkingsmiddelen om het reservoir schoon te maken of te spoelen.

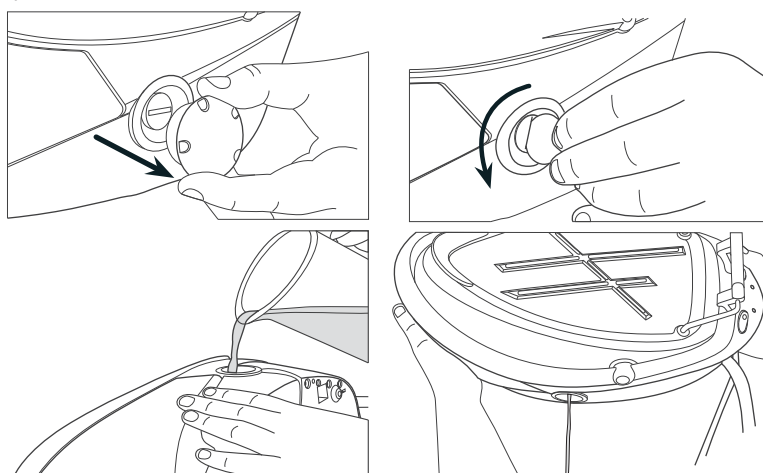
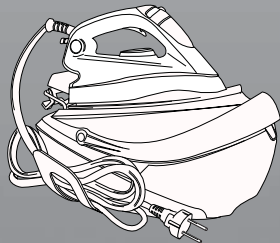


Fig. 11: Reinigen



Hoofdstuk 4.3 - Opbergen



Zet het strijkijzer op het hittebestendige matje (3).

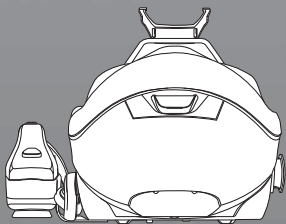
Zet het apparaat uit en haal de stekker uit het stopcontact.

Leeg het waterreservoir.

Wacht minstens 30 minuten om de strijkvoet en de generator te laten afkoelen.

Vergrendel het strijkijzer met het strijkijzervergrendelsysteem (2). Zie hoofdstuk 1.2 hierover voor verdere instructies.

Berg zowel de stoom als elektrische snoeren op in het snoeropbergvak (6).



Plaats bij model SRD 41110 de antikreukelborstel op de steun en berg het snoer op in het opbergvak.

Gebruik de greep (4) om het apparaat te dragen en volg daarbij de instructie in hoofdstuk 1.3.

U kunt dan het apparaat veilig en eenvoudig opbergen.





Probleem oplossen

Probleem	Oorzaak	Oplossing
Het apparaat wordt niet warm	Er is een probleem met de aansluiting	Controleer het snoer, de stekker en het stopcontact
	Het apparaat staat niet aan	Druk op de aan/uitschakelaar
	De temperatuur van de strijkvoet is te laag	Stel een hogere temperatuur in voor de strijkvoet
Het apparaat produceert geen stoom	Het apparaat staat niet aan	Druk op de aan/uitschakelaar
	Het warmwaterreservoir is nog niet opgewarmd	Wacht nog even tot de LED stoom klaar uit is
	Het waterreservoir is leeg	Vul het waterreservoir bij.
	U drukt de stoomknop niet in	Druk de stoomknop in
De temperatuur voor de strijkvoet staat op maximaal	De temperatuur voor de strijkvoet staat op maximaal	Het werkt maar de stoom is niet zichtbaar als heel heet en droog
	De kalkverwijderklep staat niet strak genoeg	Zet het apparaat uit en laat hem afkoelen. Verwijder de kalkverwijderdop en span de klep aan
Er ontsnapt stoom uit de kalkverwijderdop tijdens het strijken	De anti-kalkklep is beschadigd	Neem contact op met uw aftersalespunt
	De LED van lege waterreservoir brandt	Vul het waterreservoir bij met water
De strijkvoeten worden vuil of bruin	Er zitten chemische of andere toevoegingen in het water dat voor het strijken gebruikt wordt	Doe nooit chemische of andere toevoegingen in het water Neem contact op met uw aftersalespunt als het linnen nog steeds vuil is
	Het linnen is nog steeds vuil	Maak de strijkvoet schoon met een niet-metalen spons
Er verschijnen waterstrepen op de stof	De bekleding van uw strijkplank is nat	Verwissel de bekleding of gebruik een mazen strijkplank
Er zit wat kalkaanslag op de strijkvoet	Het warmwaterreservoir is al een tijdje niet schoongemaakt	Volg de instructies in het desbetreffende hoofdstuk





Belangrijke informatie

Originele reserveonderdelen en toebehoren van Hoover

Gebruik uitsluitend originele reserveonderdelen van Hoover. Deze zijn verkrijgbaar bij uw Hoover Dealer. Als u reserve-onderdelen bestelt, vermeld dan altijd het modelnummer.

Hoover Service

Mocht u gebruik willen maken van de service, neem dan contact op met uw Hoover dealer. Zie alle contactgegevens hieronder.

Veiligheid

Hoover vindt dat onafhankelijke keuring de beste manier is om veiligheid in ontwerp en productie aan te tonen. "Istituto del Marchio di Qualità" (IMQ), de onafhankelijke nationale autoriteit van Italië voor de veiligheid van elektrische huishoudelijke apparatuur, verzekert dat aan de Europese veiligheidsstandaards wordt voldaan en dat deze behouden blijven gedurende het productieve leven van de apparaten. Alle apparaten die aan de vereisten voldoen, mogen het IMQ-veiligheidsmerk dragen.

Kwaliteit

ISO 9001

De fabrieken van Hoover zijn op onafhankelijke wijze getest op kwaliteit. Onze producten worden vervaardigd aan de hand van een kwaliteitssysteem dat voldoet aan de vereisten van ISO 9001.

Het milieu

Dit toestel is voorzien van een markering volgens de Europese richtlijn 2002/96/EG betreffende afgedankte elektrische en elektronische apparatuur (AEEA).

Door dit product aan het einde van de levensduur op verantwoorde wijze weg te gooien, voorkomt u mogelijk negatieve gevolgen voor het milieu en de gezondheid, die zouden kunnen ontstaan door een onverantwoorde afvalverwerking van dit product.

Het symbool op dit product geeft aan dat het niet mag worden beschouwd als huishoudelijk afval. In plaats daarvan moet u het inleveren bij een inzamelpunt voor het recyclen van elektrische en elektronische apparatuur.

U moet het toestel weggooien in overeenstemming met de lokale voorschriften voor afvalverwerking.

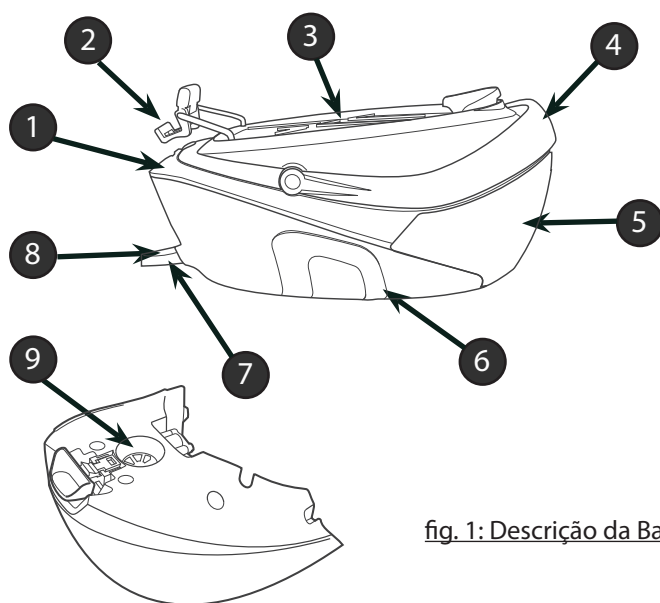
Voor meer informatie over verwerking, hergebruik en recycling van dit product, kunt u contact opnemen met uw lokale overheid, uw afvalverwerkingsbedrijf of de winkel waar u het product heeft gekocht.

Uw garantie

De garantievooraarden voor dit toestel worden bepaald door onze vertegenwoordiger in het land waar het toestel wordt verkocht. Bijzonderheden omtrent deze voorwaarden zijn verkrijgbaar bij de dealer waar u het toestel hebt gekocht. Wanneer u aanspraak wilt maken op deze garantie, dan moet u het verkoop- of ontvangstbewijs voorleggen.

Wijzigingen zijn zonder voorafgaande kennisgeving mogelijk.





1	Painel de controlo
2	Sistema de bloqueio do ferro
3	Base de Repouso do Ferro
4	Manípulo de transporte
5	Depósito de Água Amovível
6	Compartimento de Arrumação para Tubo e Cabo de Electricidade
7	Cabo de electricidade
8	Tubo de Alimentação
9	Entrada para Enchimento

fig. 1: Descrição da Base e do Depósito

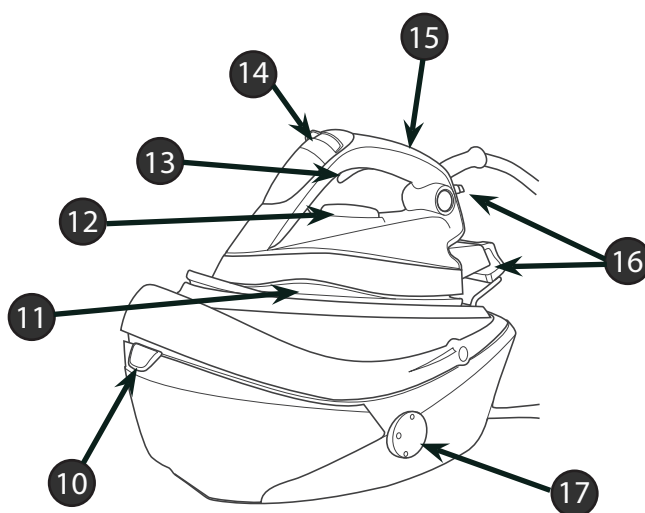
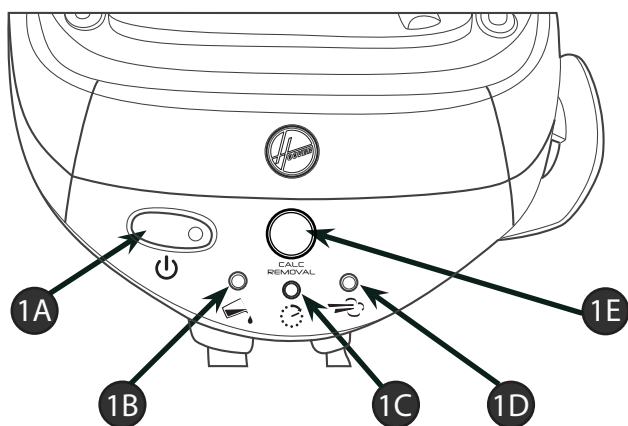


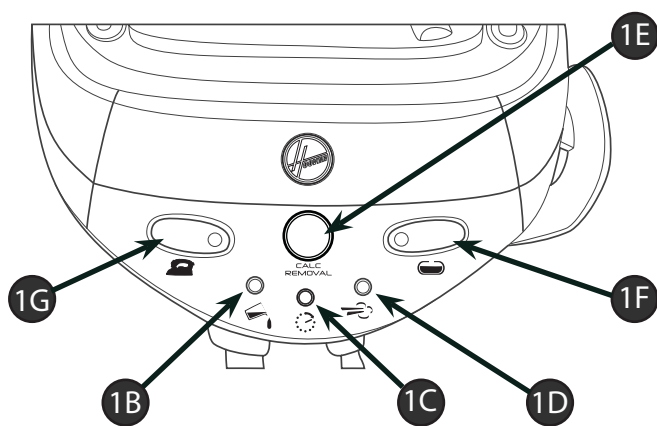
Fig. 2: Descrição do Ferro Doméstico

10	Botão do Depósito de Água Amovível
11	Placa de aquecimento
12	Marcador de Temperatura da Base de Aquecimento
13	Botão de vapor
14	Selectora de Tecnologia Multi Vapor
15	Indicador de temperatura da placa de aquecimento
16	Apoios para Posicionamento Vertical
17	Tampa para Remoção de Calcário



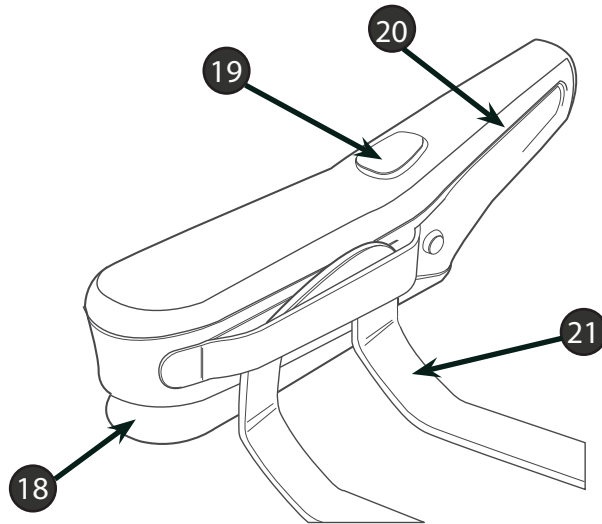
1A	Interruptor Ligar/Desligar o Ferro com indicador luminoso
1B	Luz "Depósito de água vazio"
1C	Luz "Desligar Automático"
1D	Luz "Vapor pronto"
1E	Indicador "Limpeza" e Interruptor de Reposição da Caldeira

fig. 3: Painel de Controlo do Ferro Doméstico



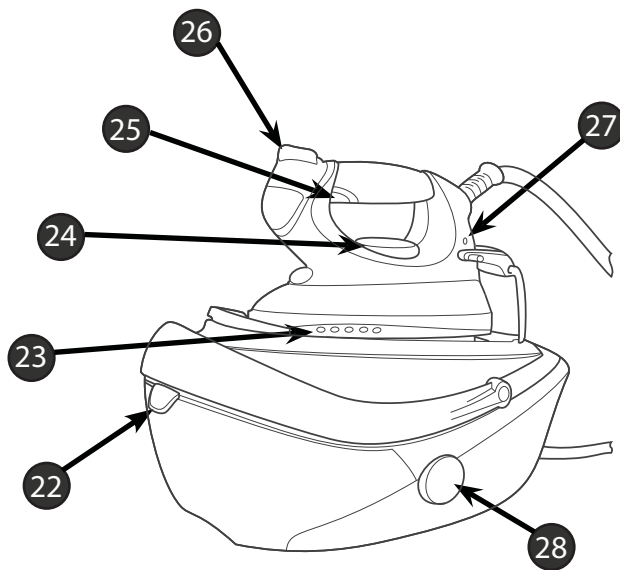
1F	Interruptor Ligar/Desligar a Caldeira com Luz de Energia
1G	Interruptor Ligar/Desligar o Ferro com indicador luminoso

fig. 4: Painel de Controlo do Ferro Pro



18	Cerdas
19	Botão de vapor
20	Manípulo Confortável
21	Suporte da Escova Profissional e Compartimento de Arrumação de Cabos

fig. 5: Escova de Vapor Profissional



22	Botão do Depósito de Água Amovível
23	Placa de aquecimento
24	Marcador de Temperatura da Base de Aquecimento
25	Botão de Vapor e Bloqueio do Botão de Vapor
26	Selector de Tecnologia Multi Vapor
27	Indicador de temperatura da placa de aquecimento
28	Tampa para Remoção de Calcário

fig. 6: Descrição do Ferro Pro



Introdução

Estimado cliente,

Antes de mais, gostaríamos de dar-lhe os parabéns por ter adquirido este sistema de engomar Hoover e agradecer-lhe pela confiança que tem na marca Hoover.

Este electrodoméstico foi fabricado com muito cuidado, respeitando todos os nossos critérios de qualidades e foi testado várias vezes. Esperamos que a sua utilização corresponda às suas expectativas. Estamos convencidos que irá tornar o acto de engomar muito mais rápido e fácil.

Antes de utilizar o seu novo aparelho Hoover, leia atentamente este manual de instruções. Se precisar de mais informações ou se tiver alguma questão que não seja abordada neste manual, contacte o serviço pós-venda ou o seu representante local.

Importantes Instruções de Segurança

Leia atentamente este manual de utilização antes de utilizar pela primeira vez e conserve-o para referência futura.

- Este produto foi concebido apenas para utilização doméstica. Em caso de aplicação comercial, utilização inadequada ou incumprimento das instruções, o fabricante não poderá ser responsabilizado e a garantia será anulada.
- Antes de ligar o seu aparelho, verifique se a tensão da corrente é igual à tensão indicada no seu aparelho e se a tomada possui ligação à terra.
- Antes de cada utilização, certifique-se que o cabo de electricidade e outros componentes essenciais não estão danificados
- Este aparelho não se destina a ser utilizado por crianças ou pessoas com reduzidas capacidades físicas, sensoriais ou mentais, excepto se supervisionadas durante a utilização por uma pessoa adulta responsável pela sua segurança.
- As crianças devem ser supervisionadas para garantir que não brincam com o aparelho.
- O ferro tem de ser utilizado e colocado numa superfície plana e estável. Ao voltar a colocar o ferro na respectiva bancada, certifique-se que a superfície onde o coloca é estável.
- Nunca direcione o vapor para pessoas ou animais. Nunca direcione o jacto de vapor para outros aparelhos eléctricos e/ou electrónicos.
- Não utilize o aparelho se este cair, ou se apresentar indícios de quebra, avaria ou fuga. Leve o aparelho a ser inspeccionado por um Centro de Assistência para evitar riscos.
- Certifique-se sempre que o aparelho está desligado, tanto no interruptor como na tomada, e que arrefeceu antes de efectuar qualquer acção de manutenção.
- Nunca deixe o aparelho sem supervisão quando está ligado e antes de arrefecer.
- Não desligue o aparelho puxando pelo cabo ou pelo aparelho.
- Nunca mergulhe o ferro, a bancada, o cabo ou as fichas em água. Nunca os coloque por baixo da torneira de água.
- A placa de aquecimento do ferro pode ficar extremamente quente e poderá provocar queimaduras em contacto com a pele. Nunca toque em cabos de electricidade com a placa de aquecimento.
- Se o cabo de electricidade estiver danificado, deve ser substituído pelo fabricante, representante ou outra pessoa igualmente habilitada para evitar riscos.



Capítulo 1.1 - Painel de controlo

Interruptor de energia (1A): Vai acender-se uma luz no interruptor para indicar que o aparelho está ligado (Apenas modelos de ferros domésticos).

Ligar/desligar o ferro (1G): Ao ligar o ferro, a placa de aquecimento vai começar a aquecer. Recomendado para engomar a seco. (apenas com ferro profissional).

Ligar/desligar a caldeira (1F): Ao ligar a caldeira, esta vai começar a aquecer. Tenha em atenção que o interruptor do ferro (1G) tem de estar ligado para aquecer a caldeira. (apenas com ferro profissional).

Quando o aparelho está ligado e a luz "Vapor pronto" (1D) está apagada, significa que o vapor está pronto. Pode premir o botão de vapor e a placa de aquecimento vai libertar vapor. Tenha em atenção que, durante a utilização, a luz acende-se ocasionalmente mas pode continuar a engomar sem qualquer problema.



CALC
REMOVAL



A luz "Depósito de água vazio" (1B) está ligada: Não há água no depósito. Reabasteça o depósito seguindo as instruções dadas no capítulo 2.2

A luz do "indicador de Limpeza" (1E) está acesa: Deve lavar a caldeira para impedir a acumulação de calcário. Consulte o capítulo específico 4.2 para saber mais. (apenas os modelos: SRD 4106, SRD 4108, SRD 4110, SRP 4105)

A luz "Desligar automático" (1C) está acesa: Após 10 minutos de inatividade de vapor, a caldeira e o ferro começam a arrefecer. Para tornar a engomar, desligue e volte a ligar o interruptor principal (1A). Terá de aguardar um pouco até que o vapor esteja pronto para recomençar a engomar. Consulte o parágrafo sobre o indicador luminoso vapor pronto para mais informações. (apenas os modelos: SRD 4108, SRD 4110)

Capítulo 1.2 - Sistema de bloqueio

Para facilitar o transporte e a arrumação do seu sistema de engomar, o seu aparelho possui um sistema de bloqueio (2). O sistema bloqueia o ferro no tabuleiro superior. Assim, é muito fácil transportar e arrumar o aparelho. Sigas as instruções que se seguem para bloquear o ferro na base de repouso (3).



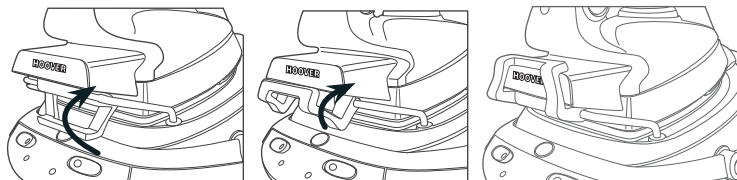


fig. 7: Sistema de bloqueio do ferro doméstico

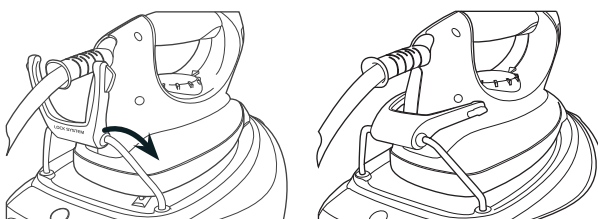


fig. 8: Sistema de Bloqueio do Ferro Pro

Para o desbloquear, faça o oposto das instruções.

Atenção: Não segure o seu aparelho pelo ferro. Utilize o manípulo indicado (4).

Capítulo 1.3 - Manípulo de transporte

O seu gerador de vapor está equipado com um manípulo ergonómico (4) que lhe permite transportar confortavelmente o seu electrodoméstico sempre que precisar.

Antes de o utilizar, certifique-se que o ferro está bloqueado na base de repouso (3). Se não estiver, siga as instruções relevantes no capítulo 1.2. Não se esqueça de arrumar o cabo no compartimento de arrumação de cabos (6) destinado ao tubo e ao cabo de electricidade. Certifique-se, também, que o depósito de água está vazio.

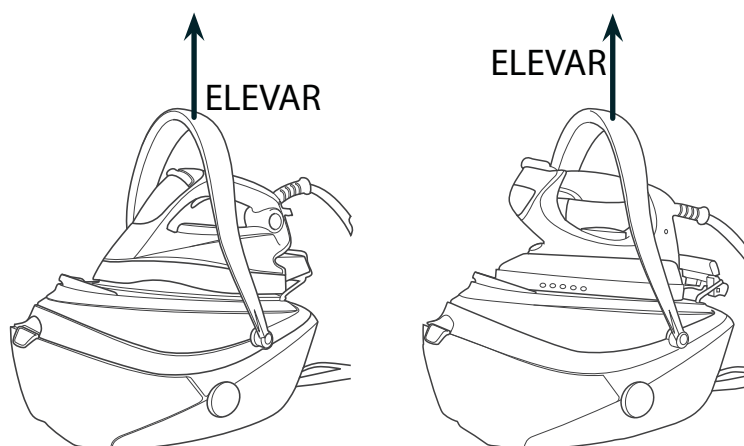


fig. 9: Imagem do Manípulo de Transporte



Capítulo 1.4 - Desligar automático



Para seu benefício, o electrodoméstico possui um interruptor que se desliga automaticamente se o electrodoméstico não for utilizado durante 10 minutos.

Para informar da situação, será emitido um som e a luz "desligar automático" (1C) acende-se.

Para reactivar o seu electrodoméstico, desligue e volte a ligar o interruptor principal (1A) e aguarde até que o indicador luminoso vapor pronto (1D) se desligue.

Capítulo 2: Preparação para a utilização

Devido à potente produção de vapor, a Hoover recomenda a utilização de uma tábua de engomar activa com a função de ventilação e aspiração que permita a saída do excesso de vapor.

Coloque o sistema de engomar numa superfície estável e plana, por exemplo, na parte rígida da tábua de engomar ou numa superfície resistente ao calor.

Capítulo 2.1 - Que tipo de água pode ser utilizada?

O sistema de engomar Hoover foi concebido para ser utilizado apenas com água da torneira. Não é necessário utilizar água destilada ou purificada. No entanto, se viver num zona com água rígida, pode misturar 50% de água destilada com 50% de água da torneira. Não utilize qualquer outro tipo de água nem adicione qualquer produto ao depósito de água amovível pois poderá danificar o aparelho.

Capítulo 2.2 - Encher o depósito de água

Retire o depósito de água (5) da base premindo o botão do depósito de água (10). Encha-o com água da torneira. Não ultrapasse a marca de nível máximo. Volte a colocar o depósito no local.

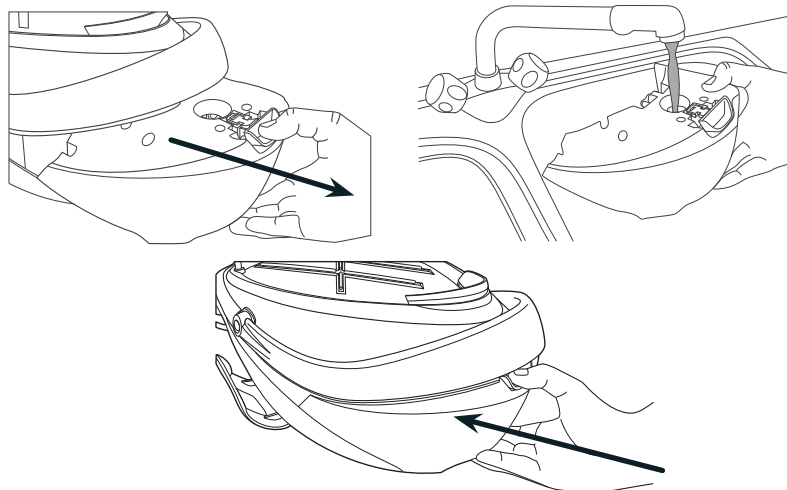


fig. 10: Imagem do Enchimento do Depósito de Água





Atenção: Não adicione vinagre, água quente, perfume ou qualquer outro tipo de químico ou produto no depósito de água. Poderá danificar o gerador de vapor e diminuir a vida útil do aparelho.

Capítulo 2.3 - Ligar o aparelho

Modelos de ferros domésticos:

Ligue o cabo de electricidade do aparelho a uma tomada com ligação à terra. Prima o interruptor de energia. A luz do interruptor de energia (1a) vai acender-se, indicando que o aparelho está a funcionar e que a caldeira está a aquecer.

Aproximadamente 2 minutos depois, a luz "vapor pronto" apaga-se e pode começar a utilizar a função de vapor.

Modelos de ferros profissionais:

Ligue o cabo de electricidade do aparelho a uma tomada com ligação à terra. Prima o interruptor de energia do ferro (1g) e o interruptor de energia da caldeira (1f).

As luzes de ambos os interruptores devem acender-se, indicando que o aparelho está a funcionar.

A placa de aquecimento do ferro e a caldeira estão a aquecer.

Atenção

Da primeira vez que o aparelho é utilizado, poderá ocorrer a emissão de fumo e odores. Isto é normal e vai desaparecer rapidamente.

Capítulo 3: Utilizar o seu gerador de vapor

Capítulo 3.1 - Regular a temperatura da placa de aquecimento



Selecione a temperatura da placa de aquecimento rodando o marcador (12) do ferro para a posição pretendida. Aguarde alguns minutos até que o indicador de temperatura (15) se apague. Isto indica que a placa de aquecimento atingiu a temperatura pretendida.

Durante a utilização, o indicador de temperatura poderá acender e apagar pois a temperatura é regulada sem interromper o acto de engomar.

Ajuda:

Verifique a etiqueta das peças a engomar para seleccionar a melhor temperatura para cada tecido. Tenha em atenção que, durante a utilização, a luz apaga-se esporadicamente. Significa que o ferro está a aquecer até à temperatura definida.

Se a sua peça de vestuário é feita de várias fibras, selecione sempre a temperatura da placa de aquecimento que se adequa ao tecido mais delicado.

Se seleccionar uma temperatura mais baixa durante a utilização, aguarde até que o ferro arrefeça para a temperatura definida antes de continuar a engomar.

*Se a temperatura for demasiado baixa, a placa de aquecimento poderá libertar algumas gotas de água. Aumente a temperatura acima dos 2 pontos (**) para evitar isto.*





Capítulo 3.2 - Engomar

Engomar a seco

Modelos de ferros domésticos:

Selecione a temperatura da placa de aquecimento seguindo as indicações do capítulo 3.1. Quando a placa de aquecimento atinge a temperatura pretendida, comece a engomar sem premir o botão de vapor (13).

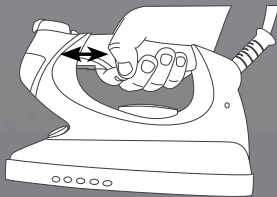
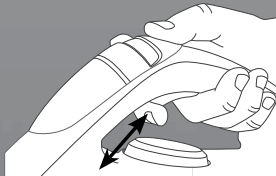
Modelos de ferros profissionais:

Ligue apenas o interruptor do ferro (1g). Selecione a temperatura da placa de aquecimento seguindo as indicações do capítulo 3.1. Comece a engomar quando a placa de aquecimento atingir a temperatura adequada.

Engomar a vapor

Selecione a temperatura da placa de aquecimento seguindo as indicações do capítulo 3.1. Na bancada, quando a função de vapor estiver pronta, a luz indicadora (1d) apaga-se. A partir daí, pode começar a engomar premindo o botão de vapor (13). O fluxo de vapor pára sempre que deixa de premir o botão.

Para obter um melhor resultado, tem a possibilidade de regular o fluxo de vapor com o selector de Tecnologia Multi Vapor (14). Consulte o capítulo específico 3.3 para saber mais.



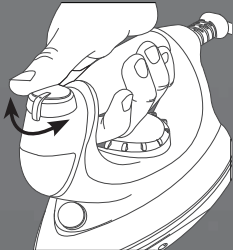
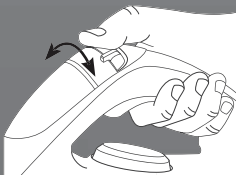
Apenas modelos de ferros profissionais:

Função de bloqueio de vapor: O bloqueio do vapor permite-lhe engomar a vapor sem ter de premir o botão de vapor. Deste modo, o vapor vai fluir continuamente. Para activar ou desactivar o bloqueio do vapor, deslize o botão do vapor (26) para a frente ou para trás.

Atenção

Durante o funcionamento, poderá ouvir ruído proveniente do gerador de vapor. Isto é normal. Significa que a bomba está a injectar água para a caldeira. Numa situação ideal, evite usar o botão do vapor neste preciso momento para evitar uma queda de pressão.

Capítulo 3.3 - Como escolher a temperatura correcta da placa de aquecimento e o vapor?



Para obter melhores resultados, é muito importante que defina a temperatura correcta da placa de aquecimento e o fluxo de vapor que está a aplicar. O seu aparelho Hoover possui um selector de Tecnologia Multi Vapor único (14). Se utilizado correctamente, vai simplificar o acto de engomar e proporcionar óptimos resultados, fazendo com que engomar seja mais fácil e rápido.

O seu ferro de engomar possui uma Tecnologia Multi Vapor inovadora, pode aplicar vapor na maior parte dos têxteis para obter um óptimo resultado. Tem de escolher entre 3 definições predefinidas: Cuidado Difuso, Cuidado Profundo e Potência Precisa. Cada definição vai regular a humidade, a potência e a direcção do fluxo de vapor, para que possa regular o fluxo de vapor para se adaptar ao tecido proporcionando resultados fantásticos.

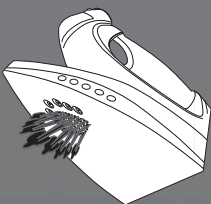
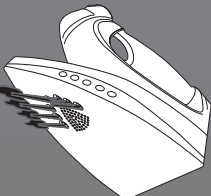
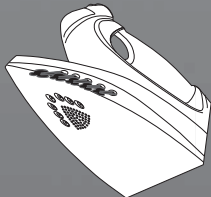
84 - PT





Seguem-se sugestões para obter os melhores resultados:

Têxteis	Tipo de vapor	T°C placa de aquecimento
Têxteis enrugados	Potência Precisa	•••/Máx.
Zonas complicadas	Potência Precisa	••/•••
Calças de Ganga	Cuidado Profundo	Máx.
Algodão	Cuidado Profundo	•••
Linho	Cuidado Profundo	Máx.
Vestuário com goma	Cuidado Profundo	•••
Veludo / alcantara	Cuidado Profundo	••
Lã	Cuidado Profundo	••
Seda	Cuidado Difuso	••
Caxemira	Cuidado Difuso	••
Seda Artificial	Cuidado Difuso	••
Poliéster	Não	•
Nylon	Não	•
Acrílico	Não	•
Licra	Não	•
Poliamida	Não	•



Cuidado Difuso

O fluxo de vapor é suave e delicado, este fluxo de vapor destina-se aos têxteis mais delicados, como seda e caxemira. É cuidadosamente distribuído um ligeiro fluxo de vapor por uma zona ampla do tecido à frente do ferro. As fibras são libertadas de forma a remover rapidamente os vincos sem danificar o tecido.

Potência Precisa

O fluxo é direccionado para a ponta. Isto permite o acesso às zonas mais difíceis, como botões, mangas e dobras graças à concentração do fluxo na ponta e oferece um jacto constante, concentrado e potente. As zonas difíceis são mais bem humidificadas, removendo, assim, os vincos mais rapidamente.

Cuidado Profundo

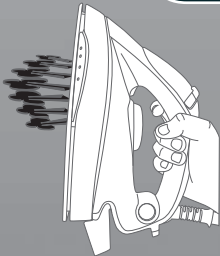
Com um forte jacto húmido, este fluxo de vapor na vertical remove fácil e rapidamente os vincos em todos os têxteis mais comuns. O vapor penetra em profundidade nas fibras e a placa de aquecimento ampla enxuga os têxteis. Deste modo, as pregas são rapidamente eliminadas.

Ajuda

Quando engomar peças de vestuário com relevos brilhante, recomendamos que diminua a temperatura da placa de aquecimento ou que engome o tecido do avesso.

Comece por engomar os tecidos que requerem uma temperatura mais baixa (•) e termine com aqueles que têm de ser engomados a uma temperatura mais elevada (•••/Máx).





Capítulo 3.4 - Engomar a vapor na vertical

Coloque a temperatura da placa de aquecimento (12) no máximo e o selector de Tecnologia Multi vapor (14) no programa Cuidado Profundo.

Pendure as cortinas e as peças de vestuário (coletes, fatos, casacos). Segure o ferro na posição vertical a pouca distância do tecido para não o queimar. Prima o botão de vapor (13) para engomar a vapor, movendo o ferro de cima para baixo.

Atenção: Não direcione o jacto de vapor para pessoas ou animais.

Capítulo 3.5 - Reabastecer o depósito de água durante o funcionamento

Pode encher o depósito de água em qualquer altura enquanto utiliza o ferro.

Quando o depósito de água está vazio, a luz "Depósito de água vazio" (1b) acende-se. A placa de aquecimento deixou de libertar vapor e já não é possível engomar a vapor.

Retire o depósito da base premindo o botão do depósito (10). Encha novamente o depósito de água, sem ultrapassar a marca do nível máximo. Volte a colocar o depósito de água no local. Pode continuar a engomar imediatamente.

Consulte o capítulo específico 2.2 para saber mais.

Capítulo 3.6 - Escova de Vapor Profissional (apenas SRD4110)

A escova de vapor profissional instalada no seu sistema de engomar pode ser utilizada para engomar numa posição vertical, permitindo a eliminação fácil de vincos em tecidos delicados, a eliminação de odores, por exemplo, fumo, dos tecidos e refrescar o vestuário.

Antes de utilizar a escova de vapor, certifique-se que o sistema de engomar está cheio de água. Ligue o electrodoméstico e, quando o LED "vapor pronto" se acender, a escova de vapor está pronta a ser utilizada. Prima o botão de vapor da escova para começar a limpar.

Atenção: Não direcione o jacto de vapor para pessoas ou animais.

Capítulo 4: Manutenção e limpeza

Para evitar o risco de queimaduras, todas as operações de manutenção e limpeza devem ser efectuadas depois de o aparelho, desligado da corrente, ter arrefecido durante, no mínimo, 2 horas.

Capítulo 4.1 - Limpar o aparelho

Não utilize detergentes ou produtos descalcificantes para limpar a placa de aquecimento. Limpe regularmente com uma esponja húmida e não metálica.

Para limpar as peças de plástico da bancada, utilize tecidos suaves.



Capítulo 4.2 - Lavar a caldeira para eliminar o calcário

Para maximizar a longevidade do seu aparelho, deve lavar a caldeira para evitar a acumulação de calcário na caldeira. Deve lavar a caldeira de 2 em 2 meses ou, nos modelos SRD 4106, SRD 4108, SRD 4110 e SRP 4105, quando a luz "limpeza" (1e) piscar.

Modelos com luz "Limpeza"

Quando a luz "limpeza" (1e) piscar, pode continuar a engomar normalmente. Mas não se esqueça de limpar a caldeira antes de utilizar o ferro da próxima vez. Proceda da seguinte forma:

Antes de o fazer, certifique-se que o aparelho arrefeceu e está desligado há, pelo menos, 2 horas.

Coloque a bancada na extremidade do lava-louças e coloque o ferro numa superfície plana. Remova a tampa de remoção de calcário (10). Desaperte a tampa de segurança da caldeira no sentido contrário ao dos ponteiros do relógio com uma moeda e retire-a. Com um funil ou uma garrafa, encha a caldeira com 0,2 litros de água da torneira. Agite a bancada e, depois, esvazie totalmente a caldeira, despejando a água no lava-louças. Recomendamos que faça isto duas vezes. Aperte a tampa de segurança da caldeira com uma moeda e volte a colocar a tampa de remoção de calcário (10).

Da próxima vez que ligar o seu electrodoméstico, a luz "limpeza" (1e) vai continuar a piscar. Reponha o electrodoméstico premindo o indicador "limpeza" e pode começar a engomar imediatamente.

Modelos Sem Luz "Limpeza"

Antes de o fazer, certifique-se que o aparelho arrefeceu e está desligado há, pelo menos, 2 horas.

Coloque a bancada na extremidade do lava-louças e coloque o ferro numa superfície plana. Remova a tampa de remoção de calcário (17). Desaperte a tampa de segurança da caldeira no sentido contrário ao dos ponteiros do relógio com uma moeda e retire-a. Com um funil ou uma garrafa, encha a caldeira com 0,2 litros de água da torneira. Agite a bancada e, depois, esvazie totalmente a caldeira, despejando a água no lava-louças. Recomendamos que faça isto duas vezes. Aperte a tampa de segurança da caldeira com uma moeda e volte a colocar a tampa de remoção de calcário (17).

Em circunstância alguma utilize produtos descalcificantes para limpar ou lavar a caldeira.

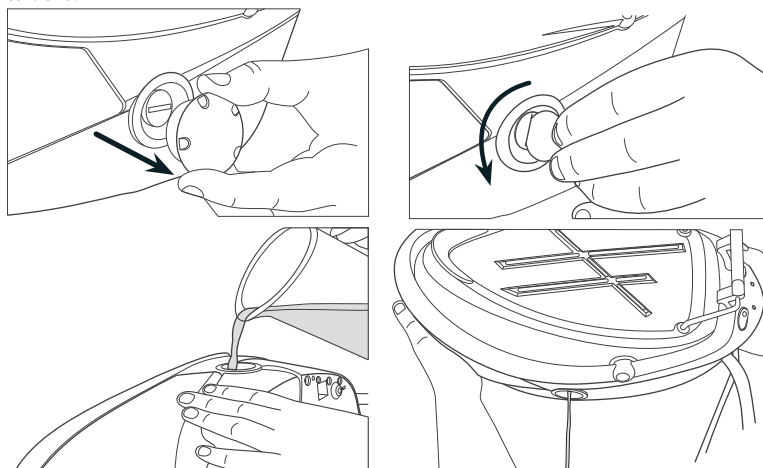
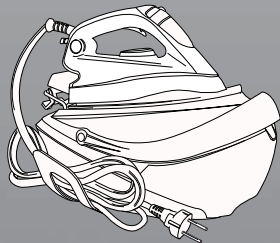


fig. 11: Operações de limpeza



Capítulo 4.3 - Arrumação



Coloque o ferro na base de repouso resistente ao calor (3).

Desligue o aparelho e retire a ficha da tomada.

Esvazie o depósito de água

Aguarde, no mínimo, 30 minutos para que a placa de aquecimento e o gerador arrefeçam.

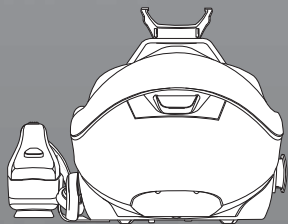
Bloqueie o ferro com o sistema de bloqueio do ferro (2). Consulte o respectivo capítulo 1.2 para mais instruções.

Guarde os cabos de vapor e de electricidade no compartimento de arrumação de cabos (6).

No modelo SRD 41110, coloque a escova anti-vincos no respectivo suporte e arrume o cabo no respectivo compartimento.

Utilize o manípulo (4) para transportar o electrodoméstico, seguindo as instruções relevantes do capítulo 1.3.

Pode, então, retirar o aparelho para o poder arrumar de forma fácil e segura.





Resolução de Problemas

Problema	Causa	Solução
O aparelho não aquece	Existe um problema na ligação	Inspeccione o cabo de electricidade, a ficha e a tomada
	O aparelho não está ligado	Prima o interruptor de energia
	A temperatura da placa de aquecimento é demasiado baixa	Aumente a temperatura da placa de aquecimento
O aparelho não produz vapor	O aparelho não está ligado	Prima o interruptor de energia
	A caldeira ainda não aqueceu	Aguarde alguns momentos até que a luz "vapor pronto" se apague
	O depósito de água poderá estar vazio	Reabasteça o depósito de água
	Não está a premir o botão de vapor	Prima o botão do vapor
	A temperatura da placa de aquecimento está no máximo	Está a funcionar mas o vapor não é visível pois está muito quente e seco
Ao engomar, sai vapor da tampa de remoção de calcário	A válvula de remoção de calcário não está bem apertada	Desligue o aparelho e deixe-o arrefecer. Retire a tampa de remoção de calcário e aperte correctamente a válvula
	A válvula anti-calcário está danificada	Contacte o Serviço de Apoio Pós-Venda
A luz "depósito de água vazio" está acesa	Não há água no depósito	Reabasteça o depósito de água
A placa de aquecimento fica suja ou castanha	A água utilizada para engomar não deve conter quaisquer químicos ou aditivos	Nunca aplique químicos ou aditivos à água Contacte o seu serviço pós-venda se o o linho continuar sujo
	O linho continua sujo	Limpe a placa de aquecimento com uma esponja não metálica
Aparecem faixas de água no tecido	A cobertura da sua tábua de engomar está saturada com água	Troque a cobertura ou utilize uma placa de engomar de rede
A placa de aquecimento tem alguma acumulação de calcário	A sua caldeira não é lavada há bastante tempo	Siga as instruções dadas no capítulo relevante





Informações Importantes

Peças sobressalentes e consumíveis Hoover

Substitua sempre as peças por peças sobressalentes Hoover genuínas. Pode obtê-las junto do seu representante local ou directamente da Hoover. Quando encomendar peças sobressalentes, verifique sempre o número do seu modelo.

Assistência Hoover

Se necessitar de assistência a qualquer altura, queira contactar o seu serviço de assistência Hoover local. Consulte em baixo todas as informações de contacto.

Segurança

A Hoover acredita que a certificação independente é a melhor forma de comprovar a segurança em termos de concepção e fabrico. "Istituto del Marchio di Qualità" (IMQ), a autoridade italiana independente para a segurança dos electrodomésticos, garante que são cumpridas e conservadas as normas europeias de segurança ao longo de toda a vida útil de um aparelho. Todos os aparelhos em conformidade com os requisitos apresentam a marca de segurança do IMQ.

Qualidade

ISO 9001

A qualidade das instalações industriais da Hoover foi avaliada de forma independente. Os nossos produtos são fabricados de acordo com um sistema de qualidade que satisfaz os requisitos da norma ISO 9001.

Ambiente

Este aparelho está identificado de acordo com a Directiva europeia 2002/96/CE relativa aos resíduos de equipamentos eléctricos e electrónicos (REEE).

Ao garantir que este produto é eliminado de forma correcta, estará a contribuir para evitar potenciais consequências negativas para o ambiente e a saúde humana, o que pode ocorrer devido a um tratamento inadequado dos resíduos deste produto. O símbolo no produto indica que este não pode ser tratado como resíduo doméstico. Pelo contrário, deve ser encaminhado para o ponto de recolha aplicável para reciclagem de equipamento eléctrico e electrónico.

A eliminação deve ser realizada em conformidade com as leis ambientais locais relativas à eliminação de resíduos.

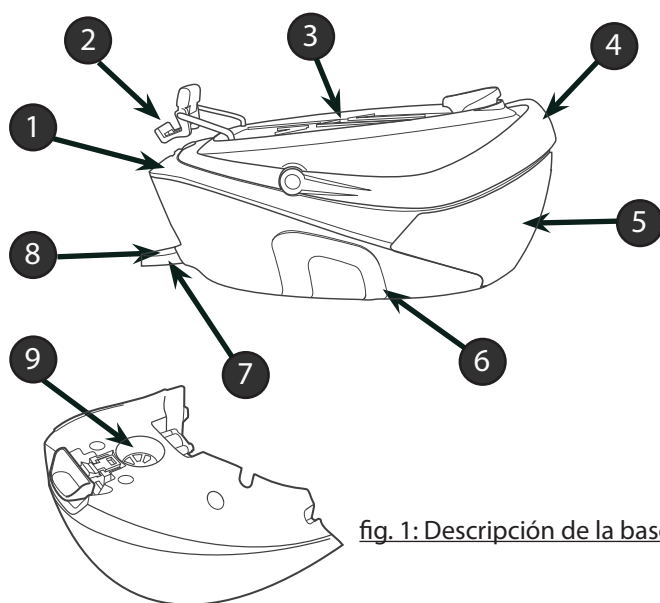
Para obter informações mais detalhadas sobre o tratamento, recuperação e reciclagem deste produto, contacte as autoridades locais, o serviço de eliminação de resíduos domésticos ou a loja onde adquiriu o produto.

Garantia

As condições de garantia para este aparelho são as definidas pelo nosso representante no país onde foi vendido. Pode obter detalhes sobre estas condições junto do agente a quem adquiriu o aparelho. A factura de venda ou o recibo deverão ser entregues quando apresentar uma reclamação ao abrigo dos termos da garantia.

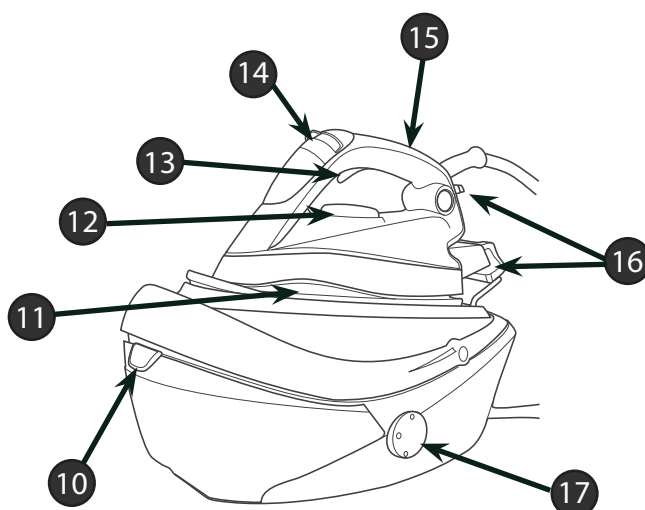
Sujeito a alteração sem aviso prévio.





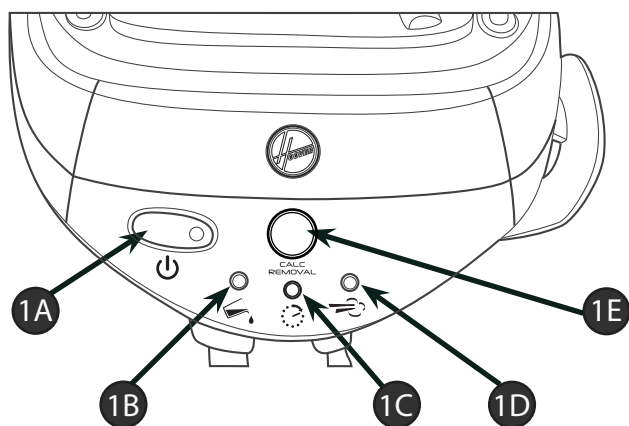
1	Panel de mandos
2	Sistema de bloqueo
3	Placa de apoyo
4	Asa de transporte
5	Tanque extraíble de agua
6	Dispositivo de almacenamiento de la manguera y los cables
7	Cable de alimentación
8	Manguera de suministro
9	Entrada de abastecimiento

fig. 1: Descripción de la base y el depósito de agua



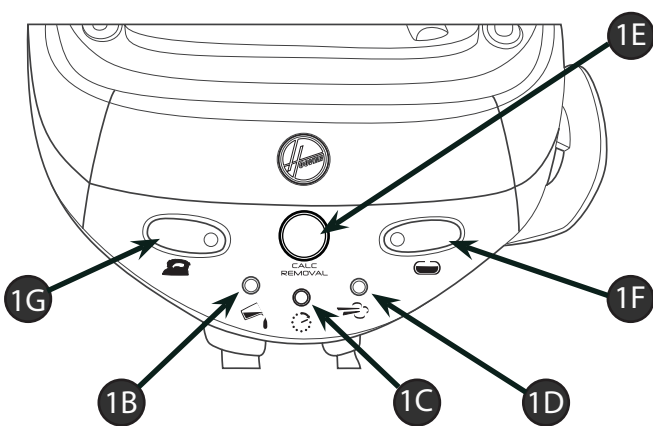
10	Botón del depósito de agua extraíble
11	Suela
12	Disco de selección de temperatura de la suela
13	Botón del vapor
14	Selector Tecnología Multi Steam
15	Indicador de temperatura de la suela
16	Almohadillas para posicionamiento vertical
17	Tapa de eliminación de Cal

fig. 2: Descripción de la plancha doméstica



1A	Plancha encendida/apagada (on/off) con luz de encendido
1B	Luz de "Depósito de agua vacío"
1C	Luz de "Interrupción automática"
1D	Luz de "Vapor listo"
1E	Indicador de enjuague de la caldera y reinicio

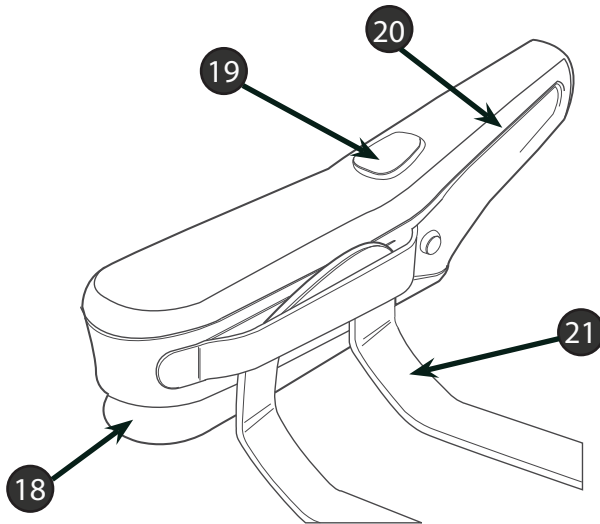
fig. 3: Panel de control de la plancha doméstica



1F	Caldera encendida/apagada (on/off) con luz de encendido
1G	Plancha encendida/apagada (on/off) con luz de encendido

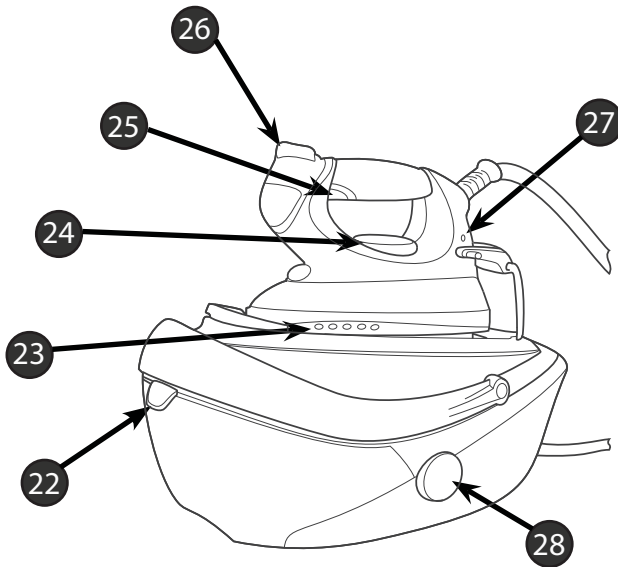
Fig. 4: Panel de control de la plancha Pro Iron





18	Cerdas
19	Botón del vapor
20	Empuñadura de comodidad
21	Soporte del cepillo profesional y almacenamiento del cable

fig. 5: Cepillo a vapor profesional



22	Botón del depósito de agua extraíble
23	Suela
24	Disco de selección de temperatura de la suela
25	Gatillo de vapor y bloqueo del gatillo de vapor
26	Selector Tecnología Multi Steam
27	Indicador de temperatura de la suela
28	Tapa de eliminación de Cal

fig. 6: Descripción de la plancha Pro Iron



Introducción

Estimado Cliente,

En primer lugar, nos gustaría felicitarle por haber adquirido este sistema de planchado Hoover, y agradecerle la confianza depositada en la marca.

Este aparato ha sido fabricado con mucha dedicación y según nuestros criterios de calidad, y ha sido probado varias veces. Esperamos que cumpla con sus expectativas. Estamos convencidos de que sus trabajos de planchado serán más rápidos y mejores.

Antes de utilizar la plancha Hoover, tomese algunos segundos para leer atentamente este manual del usuario. En caso de necesitar más información o de hallar temas no tratados en este manual, contacte el Servicio Postventa o con su vendedor habitual.

Instrucciones importantes sobre seguridad

Le rogamos leer atentamente este manual del usuario antes de utilizar por primera vez el aparato y guardarlo para futuras consultas.

- Este aparato ha sido diseñado sólo para uso doméstico. En caso de uso comercial, mal uso o incumplimiento de las instrucciones, el fabricante declina toda responsabilidad, anulándose la garantía.
- Antes de conectar el aparato, controlar que la tensión de red es la misma indicada en éste y que la potencia de salida está puesta a tierra.
- Antes de cada uso, asegurarse de que el cable eléctrico o cualquier otra parte importante no está dañada.
- Este aparato no está destinado ni a niños ni a personas con discapacidades físicas, sensoriales o mentales, a menos de que no estén vigilados durante el funcionamiento y uso por parte de un adulto responsable de su seguridad.
- Controlar que los niños no jueguen con el aparato.
- La plancha debe utilizarse y colocarse sobre una superficie llana y estable. Cuando vuelva a colocar la plancha en su sitio, asegúrese de que la superficie en la que la coloque sea estable.
- No apunte nunca el vapor hacia personas o animales. No apunte nunca el chorro de vapor hacia ningún otro aparato eléctrico y/o electrónico.
- No utilice el aparato en caso de caída del mismo, o si éste presenta evidencias de rotura, funcionamiento defectuoso o pérdidas. Haga que el Servicio Postventa evalúe el producto para evitar todo tipo de riesgos.
- Asegúrese siempre de que el aparato está apagado, desenchufado y frío antes de llevar a cabo cualquier tipo de mantenimiento.
- No deje nunca la plancha sin controlar al enchufarla y antes de que se enfríe.
- No desenchufe el aparato tirando del cable o de la plancha.
- No sumerja nunca la plancha, el soporte, el cable o los enchufes en el agua. No apoyarlos nunca debajo del grifo del agua.
- La suela de la plancha puede calentarse demasiado y al ser tocada puede ocasionar quemaduras. No toque nunca los cables eléctricos con la suela.
- Para evitar peligros, si el cable de alimentación está dañado, pida al fabricante, al representante de mantenimiento y reparaciones o a personas igualmente calificadas que lo sustituya.



Capítulo 1.1 - Panel de mandos

Interruptor de encendido/apagado (on/off) (1A): En el interruptor se encenderá una luz para indicar que el aparato está funcionando. (Sólo modelos de planchas domésticas).

Plancha encendida/apagada (on/off) (1G): Al encender el aparato, la suela de la plancha empezará a calentarse. Recomendada para planchado en seco. (sólo con plancha profesional).

Caldera encendida/apagada (on/off) (1F): Al encenderla, la caldera empezará a calentarse. Recuerde que el interruptor de la plancha (1G) tiene que ser activado para que caliente la caldera. (sólo con plancha profesional).

Cuando la plancha está encendida y la luz "vapor listo" (1D) está apagada, significa que el vapor está listo. Pulse el gatillo de vapor para hacer que este último salga de la suela. Recuerde que al utilizar la plancha, la luz de la temperatura se enciende de forma intermitente, pero usted puede seguir con su planchado al vapor sin ninguna dificultad.



La luz Tanque del agua vacío (1b) está encendida: no hay agua en el depósito. Llene el tanque según las instrucciones del capítulo 2.2



Luz "Indicador de enjuague" (1E) encendida: Debe enjuagar la caldera para evitar el depósito de incrustaciones. Para mayores instrucciones, consulte el capítulo 4.2. (Sólo modelos: SRD 4106, SRD 4108, SRD 4110, SRP 4105)



Luz de "Interrupción automática" (1C) encendida: Tras 10 minutos de inutilización del vapor, la caldera y la plancha comenzarán a enfriarse. Para volver a planchar, apáguelas con el interruptor principal (1A). Deberá esperar un poco hasta que el vapor esté listo antes de volver a planchar. Para mayores detalles, consulte el párrafo sobre el led del vapor listo. (Sólo modelos: SRD 4108, SRD 4110)

Capítulo 1.2 - Sistema de bloqueo

Para facilitar el transporte y el almacenamiento de su sistema de planchado, su aparato está provisto de un sistema de bloqueo (2). Dicho sistema bloquea la plancha en la bandeja superior. Por lo tanto, es muy fácil mover y almacenar la plancha. Sigue las siguientes instrucciones para bloquear la plancha en la placa de apoyo (3).



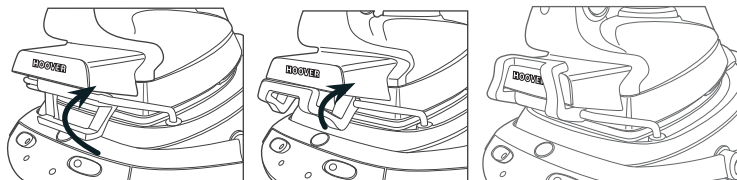


fig. 7: Sistema de bloqueo de la plancha doméstica

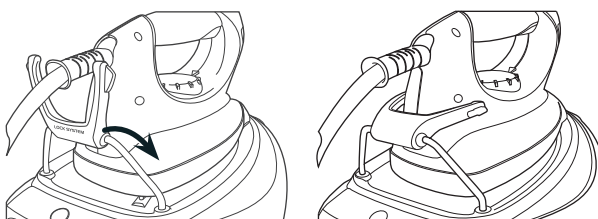


fig. 8: Sistema de bloqueo de la plancha Pro Iron

Para desbloquearla, siga las instrucciones al revés.

Advertencia: No transportar el electrodoméstico tirando de la plancha. Utilice el asa específica (4).

Capítulo 1.3 - Asa de transporte

El generador de vapor está equipado con una empuñadura de transporte ergonómica (4), que le permitirá transportar cómodamente su aparato cuando lo necesite.

Antes de usarla, asegúrese que la plancha está bloqueada sobre la placa de apoyo (3). En caso contrario, siga las instrucciones del capítulo 1.2. Recuerde también guardar el cable en el dispositivo de almacenamiento (6) de la manguera y los cables. Asegurese también de que el depósito de agua esté vacío.

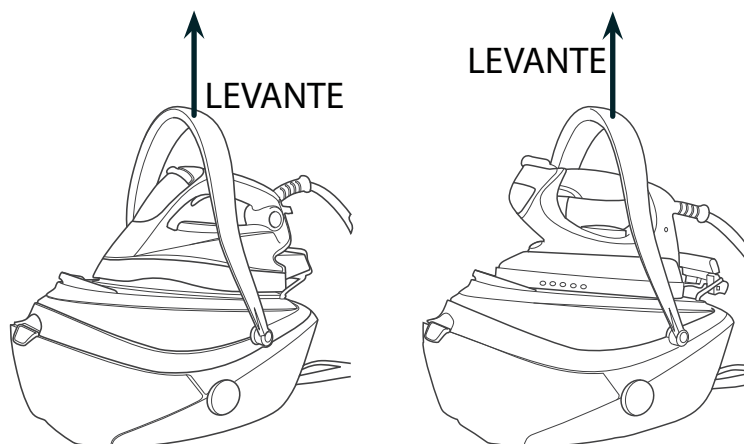


fig. 9: Imagen de la empuñadura de transporte



Capítulo 1.4 - Interrupción automática



A modo de ayuda, el aparato cuenta con un interruptor que lo apaga automáticamente si no es utilizado durante 10 minutos.

Para indicarle la situación, se escuchará un sonido y se encenderá la luz de interrupción automática (1C).

Para volver a activar su aparato, apáguelo con el botón principal (1A) y espere hasta que el led del vapor listo (1D) se apague.

Capítulo 2: Preparación al uso

Debido a la potente salida de vapor, Hoover recomienda utilizar una tabla de planchar activa con la función de soplado y vacío que permita hacer salir el vapor excedente.

Coloque el sistema de planchado sobre una superficie estable y plana, por ejemplo, en la parte dura de la tabla de planchar o en una superficie termostática.

Capítulo 2.1 - ¿Qué tipo de agua se puede utilizar?

El sistema de planchado Hoover ha sido diseñado para ser utilizado sólo con agua corriente del grifo. No es necesario el uso de agua destilada o de agua destilada pura. Sin embargo, en caso de que usted viva en una zona de aguas duras, mezcle un 50% de agua destilada con un 50% de agua del grifo. No utilice ningún otro tipo de agua ni añada tampoco ningún tipo de contenido en el tanque extraíble del agua ya que esto puede dañar su aparato.

Capítulo 2.2 - Llenado del tanque del agua

Extraiga el depósito de agua (5) del soporte presionando el botón del depósito de agua (10). Llénelo con agua corriente del grifo. No supere el nivel máximo indicado. Vuelva a colocar el depósito en su lugar original.

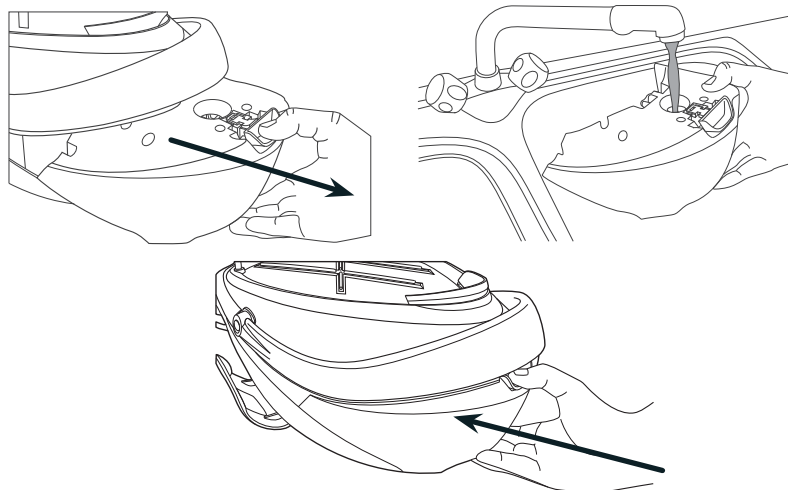


fig. 10: Imagen del llenado del depósito del agua



Advertencia: No añada vinagre, agua caliente, perfume, ni ningún otro tipo de agentes químicos o contenido en el tanque del agua. Ya que esto puede dañar el generador de vapor y abreviar su vida útil.

Capítulo 2.3 - Encendido del aparato

Modelos de planchas domésticas:

Conectar la plancha utilizando el cable de alimentación a una toma de corriente puesta a tierra. Pulse el interruptor de encendido/apagado (on/off). La luz (1a) se encenderá, para señalar que el aparato está funcionando y que la caldera se está calentando.

Una vez transcurridos 2 minutos, se apagará el led "vapor listo" y ahora podrá empezar a utilizar el dispositivo de vaporización.

Modelos de planchas profesionales:

Conecte el aparato utilizando el cable de alimentación a una toma de corriente puesta a tierra. Pulse el interruptor de encendido/apagado (on/off) (1g) de la plancha y el de la caldera (1f). Las luces de ambos interruptores debieran encenderse para indicar que el aparato está funcionando. La suela de la plancha y la caldera se están calentando.

NOTA:

Al utilizar la primera vez el electrodoméstico, es probable que se produzcan emanaciones y que se desprenda un olor perceptible. Esto ha de considerarse normal y desaparecerá rápidamente.

Capítulo 3: Uso del generador de vapor

Capítulo 3.1 - Regulación de la temperatura de la suela



Escoja la temperatura de la suela girando el disco de selección (12) ubicado en la plancha hasta la posición deseada. Espere un momento hasta que se apague el indicador de temperatura (15), El cual le indicará que la suela ha alcanzado la temperatura escogida.

Al planchar, el indicador de selección de la temperatura puede encenderse o apagarse, ya que la temperatura se ajusta sin interrumpir su trabajo.

Ayuda:

Controle la etiqueta con la información de lavado de la prenda de vestir para escoger la mejor temperatura de cada tela. Recuerde que al utilizar la plancha, la luz de la temperatura se enciende de forma intermitente; esto quiere decir que la plancha se está calentando hasta alcanzar la temperatura fijada.

Si su prenda de vestir está hecha con varios tipos de fibras, seleccione siempre la temperatura de la suela según el de la tela más delicada.

Si al planchar escoge una temperatura más baja, espere a que la plancha se enfríe hasta llegar a la temperatura fijada antes de seguir planchando.

Si la temperatura es demasiado baja, es probable que algunas gotas de agua salgan de la suela. Para evitar este fenómeno, suba la temperatura por encima de 2 puntos (••).



Capítulo 3.2 - Planchado

Planchado en seco

Modelos de planchas domésticas:

Seleccione la temperatura de la suela y siga las indicaciones reseñadas en el capítulo 3.1. Cuando la suela alcanza la temperatura deseada, empiece a planchar sin pulsar el botón del vapor (13).

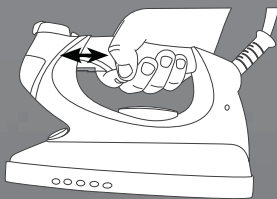
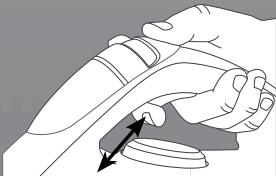
Modelos de planchas profesionales:

Encienda simplemente el interruptor de la plancha (1g). Seleccione la temperatura de la suela y siga las indicaciones reseñadas en el capítulo 3.1. Empiece a planchar hasta que la suela alcance la temperatura apropiada.

Planchado a vapor

Seleccione la temperatura de la suela y siga las indicaciones reseñadas en el capítulo 3.1. Al activarse la función vapor, el testigo específico (1d) en el soporte, se apagará. Desde ese momento puede empezar a planchar y pulsar el botón del vapor (13). El caudal de vapor se detiene al soltar dicho botón.

Es posible regular dicho caudal con el selector Multi Steam Technology (14), para obtener mejores resultados. Remítase al capítulo específico 3.3.



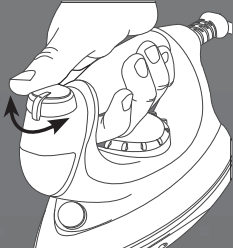
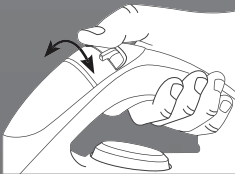
Sólo modelos de plancha profesional:

Función bloqueo del vapor: dicho bloqueo le permite planchar a vapor sin tener que pulsar el botón correspondiente. Por consiguiente, el vapor fluirá de forma constante. Para activar o desactivar el bloqueo, deslizar el mecanismo (26) hacia delante o hacia atrás.

NOTA:

Al utilizar la plancha, es posible oír ruido en el generador de vapor. Lo cual es normal. Esto significa que una bomba está inyectando agua en la caldera. Para evitar caídas de presión, lo ideal sería no utilizar el botón en ese mismo momento.

Capítulo 3.3 - ¿Cómo elegir la mejor temperatura de la suela y el vapor?



Para obtener los mejores resultados, es muy importante fijar la temperatura exacta de la suela y el caudal de vapor que se está utilizando. Su aparato Hoover posee un selector exclusivo Multi Steam Technology (14), si se utiliza de forma correcta, se simplificarán las labores de planchado brindando resultados sorprendentes, de manera más fácil y rápida.

Su plancha posee la innovadora técnica Multi Steam Technology, que permite utilizar el vapor en la mayoría de los tejidos y ofrecerle grandes resultados. Es posible escoger entre 3 ajustes disponibles: Diffuse Caresse, Deep Care y Precise Power. Cada ajuste adaptará la humedad, la potencia y la dirección del caudal de vapor, de modo que usted pueda regular el caudal según las prendas de vestir a fin de contar con resultados sobresalientes.

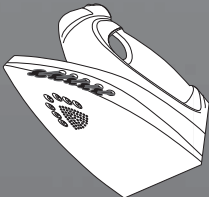
99 - ES





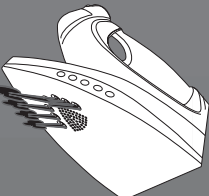
Le daremos ahora algunas sugerencias para obtener los mejores resultados:

Tejido	Tipo de vapor	T°C suela
Tejidos arrugados	Precise Power	***/Máx.
Partes difíciles	Precise Power	**/**
Jeans/vaqueros	Deep care	Máx.
Algodón	Deep care	***
Lino	Deep care	Máx.
Vestidos almidonados	Deep care	***
Terciopelo / alcántara	Deep care	**
Lana	Deep care	**
Seda	Diffuse Caresse	**
Cachemira	Diffuse Caresse	**
Rayón	Diffuse Caresse	**
Poliéster	No	.
Náilon	No	.
Acrílico	No	.
Lycra	No	.
Poliamido	No	.



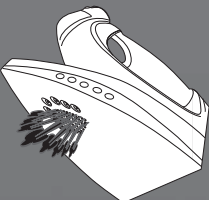
Diffuse Caresse

Este caudal de vapor es suave y delicado y es ideal para la mayoría de tejidos delicados como seda y cachemira. Un leve caudal de vapor se esparce despacio enfrente de la plancha sobre un pedazo grande de tela. Las fibras se aflojan de manera que se eliminan rápidamente las arrugas sin dañar las prendas de vestir.



Precise Power

El caudal está dirigido hacia la punta. Éste permite acceder a las zonas más difíciles como botones, mangas y ojales mediante un caudal concentrado en la punta, y brinda una propagación constante, concentrada y potente. Las zonas difíciles podrán humedecerse en forma más apropiada, y por consiguiente las arrugas se eliminarán más rápidamente.



Deep care

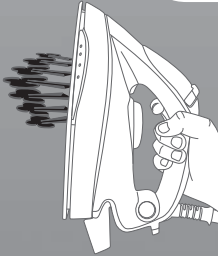
Mediante el chorro húmedo y potente, este caudal de vapor vertical quita de forma rápida y sencilla las arrugas en la mayoría de los tejidos habituales. El vapor se impregna profundamente en las fibras y la suela grande seca el tejido. Por consiguiente, las arrugas se quitarán más rápidamente.

Ayuda

Al planchar al vapor telas en las pueden producirse manchas brillantes, se recomienda fijar la suela en una temperatura más baja o planchar la prenda de vestir al revés.

*Empiece con telas que necesitan ser planchadas a una temperatura más baja (?) para luego seguir con aquéllas que requieren una temperatura más elevada (***/Máx.).*





Capítulo 3.4 - Planchado vertical al vapor

Fije la suela (12) a la temperatura máxima y coloque el selector Multi Steam Technology (14) en el programa *Profound care*.

Cuelgue cortinas y vestidos (chaquetas, trajes, abrigos). Sujete la plancha en posición vertical a una pequeña distancia del tejido para evitar quemarlo. Pulse el botón del vapor (13) para planchar al vapor el aparato de arriba abajo.

Advertencia: No apuntar el chorro de vapor hacia personas o animales.

Capítulo 3.5 - Llenado del tanque de agua durante el uso

Es posible llenar el tanque en cualquier momento.

Al vaciarse el depósito, se encenderá el testigo (1b) "Empty water tank" (tanque del agua vacío). Deja de salir vapor de la suela.

Extraiga el depósito de agua del soporte presionando el botón del depósito de agua (10). Llene el depósito del agua tratando de no superar el nivel máximo indicado. Vuelva a colocar el depósito del agua en su lugar original. Ya puede volver a planchar.

Para mayores instrucciones remitirse al capítulo específico 2.2.

Capítulo 3.6- Cepillo a vapor profesional (sólo SRD4110)

El cepillo a vapor profesional que viene con el sistema de planchado puede ser empleado para planchar en la posición vertical, y de esta manera quitar fácilmente las arrugas en los tejidos delicados, quitar de los tejidos los olores desagradables como el humo, por ejemplo, así como también renovar las prendas usadas.

Antes de usar el cepillo a vapor, controle el agua del depósito del sistema de planchado. Encienda el aparato y, cuando el LED del vapor listo esté prendido, el cepillo a vapor estará listo para el uso. Presione el botón del vapor para comenzar a planchar.

Advertencia: No apuntar el chorro de vapor hacia personas o animales.

Capítulo 4: Mantenimiento y limpieza

Para evitar posibles quemaduras, todas las operaciones de mantenimiento y limpieza han de ser llevadas a cabo sólo tras desenchufar el aparato y esperar como mínimo dos horas para que se enfríe.

Capítulo 4.1 - Limpieza del aparato

No utilizar detergente o productos desoxidantes para limpiar la placa de la suela. Limpie la plancha con regularidad utilizando una almohadilla húmeda no metálica.

Para limpiar las partes plásticas del soporte, utilice paños suaves.



Capítulo 4.2 - Enjuague de la caldera para mantenimiento contra incrustaciones

Para prolongar la vida útil de su aparato, enjuague la caldera para evitar que se creen incrustaciones en ella. Debe enjuagarla cada 2 meses o, en el caso de los modelos SRD 4106, SRD 4108, SRD 4110 y SRP 4105, esperar a que la luz "Enjuague" (1e) parpadee.

Modelos con luz "Enjuague"

Cuando la luz "Enjuague" (1e) empiece a parpadear, usted puede seguir planchando normalmente. Acuérdesse de limpiar la caldera antes de utilizarla la próxima vez que vaya a planchar. Proceda de la siguiente manera:

Antes de hacerlo, asegúrese que el aparato está frío y desenchufado como mínimo por 2 horas.

Coloque el soporte en el borde del colector y la plancha sobre una superficie plana. Saque la tapa de eliminación de la caliza (10). Con una moneda, desenrosque hacia la izquierda la tapa de protección para enjuague de la caldera y luego, sacar la tapa. Llene la caldera con 0,2 litros de agua corriente de grifo utilizando un embudo y una botella. Agite el soporte y a continuación vacíe completamente la caldera, rellenando el agua en el colector. Se recomienda repetir dos veces esta operación. Siempre con una moneda, enrosque la tapa de protección antes mencionada y vuelva a colocar la otra de eliminación de la caliza (10).

La próxima vez que enchufe el aparato y lo encienda, la luz "Enjuague" (1e) seguirá parpadeando. Reinicie el aparato presionando el indicador de enjuague para comenzar a planchar inmediatamente.

Modelos sin luz "Enjuague"

Antes de hacerlo, asegúrese de que el aparato está frío y desenchufado como mínimo por 2 horas.

Coloque el soporte en el borde del colector y la plancha sobre una superficie plana. Saque la tapa de eliminación de la caliza (17). Con una moneda, desenrosque hacia la izquierda la tapa de protección para enjuague de la caldera y luego, sacar la tapa. Llene la caldera con 0,2 litros de agua corriente de grifo utilizando un embudo y una botella. Agite el soporte y a continuación vacíe completamente la caldera, rellenando el agua en el colector. Se recomienda repetir dos veces esta operación. Siempre con una moneda, enrosque la tapa de protección antes mencionada y vuelva a colocar la otra de eliminación de la caliza (17).

De todas formas, no utilice productos desincrustantes para limpiar o enjuagar la caldera.

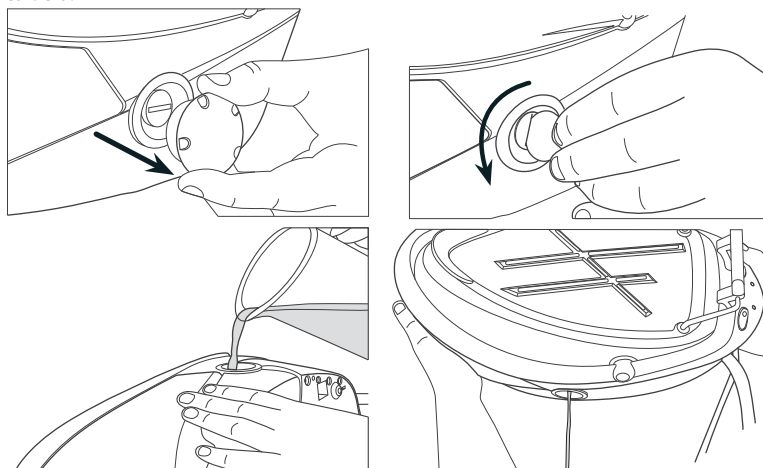
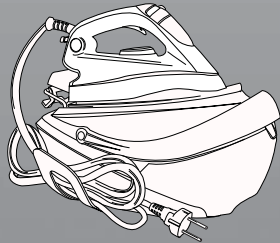


fig. 11: Operaciones de limpieza



Capítulo 4.3 - Almacenamiento



Coloque la plancha en la placa termostática de apoyo (3).

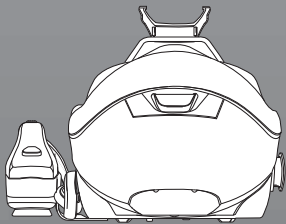
Apague el aparato y desenchúfelo.

Tanque del agua vacío

Espere por lo menos 30 minutos hasta que se enfríen la suela y el generador.

Bloquee la plancha con el sistema específico (2). Para mayores instrucciones remitirse al capítulo específico 1.2.

Guarde los cables del vapor y los eléctricos en el dispositivo de almacenamiento indicado para ello (6).



En el caso del modelo SRD 41110, coloque el cepillo antiarrugas en el soporte y guarde el cable en el dispositivo de almacenamiento.

Utilice la empuñadura (4) para transportar el aparato, siguiendo las instrucciones del capítulo 1.3.

A continuación, saque el aparato y guárdelo de manera segura y simple.





Localización de fallos

Problema	Causa	Solución
El aparato no se calienta	Hay un problema de conexión La plancha no está encendida La temperatura de la suela es demasiado baja	Controle el cable de alimentación, el enchufe y la toma de corriente de pared Pulse el interruptor de encendido/apagado (on/off) Fije una temperatura más alta a la suela
La plancha no produce vapor	La plancha no está encendida La caldera aún no se ha calentado Puede que el tanque del agua esté vacío No está apretando el botón del vapor La temperatura de la suela está fijada al máximo	Pulse el interruptor de encendido/apagado (on/off) Espere un momento hasta que se apague el LED del vapor listo. Llene el tanque del agua Pulse el botón del vapor Funciona pero el vapor no parece ser lo suficientemente caliente y seco
Al planchar, el vapor sale de la tapa de eliminación de la cal	La válvula de eliminación de la cal no está bien apretada La válvula de desincrustación está dañada	Apague el aparato y deje que se enfríe. Saque la tapa de eliminación de la cal y apriete correctamente la válvula Contacte con el Servicio Postventa
El led del tanque del agua "vacío" está encendido	No hay más agua en el depósito	Llene el tanque con agua
Las suelas se ensucian o se queman	En el agua utilizada para planchar, no tiene que haber agentes químicos ni aditivos La tela de lino aún está sucia	No utilice nunca agentes químicos ni aditivos en el agua. Contacte el Servicio Postventa si la tela de lino aún está sucia Limpie la suela con una esponja no metálica
En la tela aparecen rayas húmedas	El forro de la tabla de planchar está impregnada de agua	Sustituya el forro o utilice una tabla de planchar de malla
En la suela se ven incrustaciones	La caldera no ha sido enjuagada por algún tiempo	Siga las indicaciones en el capítulo específico





Información importante

Piezas de repuesto y consumibles de Hoover

Utilice siempre piezas de repuesto originales de Hoover. Puede adquirirlas en su Servicio de Asistencia Técnica de Hoover o pedir las directamente a Hoover. Cuando realice pedidos de repuestos, controle siempre el número de modelo que posee.

Servicio de reparaciones de Hoover

Si en cualquier momento necesitara efectuar reparaciones, diríjase a su oficina local de servicio de reparaciones de Hoover. Por favor vea a continuación los detalles relativos a contactos.

Seguridad

Hoover considera que una aprobación imparcial es la mejor forma de demostrar la seguridad en el diseño y la manufactura. El "Istituto del Marchio di Qualità" (IMG), autoridad italiana independiente en materia de seguridad en aparatos electrodomésticos, asegura el cumplimiento y el mantenimiento de las normas europeas al respecto a través de toda la vida útil de los artefactos. Todos los aparatos que cumplen los requisitos están autorizados a llevar la marca IMG de seguridad.

Calidad

ISO 9001

Las fábricas de Hoover han sido sometidas a inspecciones de calidad independientes. Nuestros productos se fabrican de conformidad con un sistema de calidad que cumple los requisitos de la norma ISO 9001.

El Medio Ambiente:

Este aparato está marcado de acuerdo con la Directiva Europea 2002/96/CE sobre residuos de aparatos eléctricos y electrónicos (RAEE).

Al cerciorarse de que este producto se elimine correctamente, usted ayudará a prevenir las posibles consecuencias perjudiciales para el medio ambiente y la salud humana que, de otro modo, podrían producirse en caso de manejo inadecuado de los residuos de este producto.

El símbolo que puede verse en el producto indica que éste no puede tratarse como residuo doméstico. En vez de esto debe entregarse en un punto de recogida de electrodomésticos para el reciclaje de equipos eléctricos y electrónicos.

La eliminación debe llevarse a cabo según los reglamentos medioambientales locales sobre eliminación de residuos.

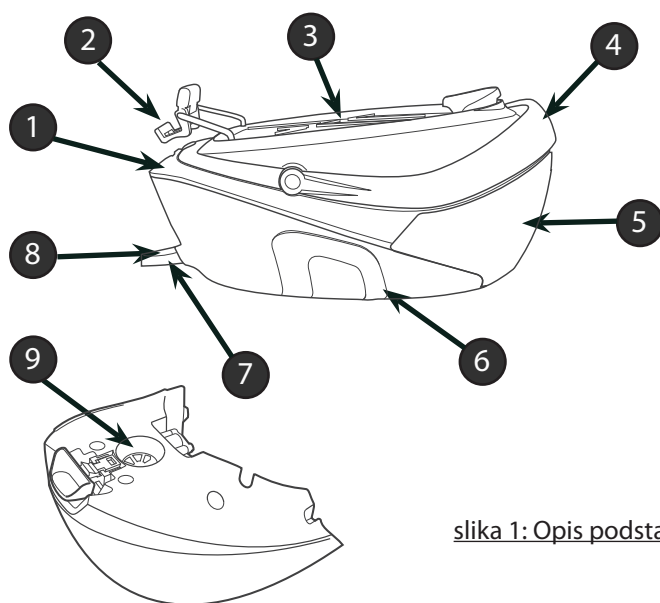
Para información más detallada sobre el tratamiento, la recuperación y el reciclaje de este producto, póngase en contacto con su Ayuntamiento, su servicio de recogida de residuos domésticos o con el establecimiento donde haya comprado el producto.

Su garantía

Las condiciones de garantía para este aparato vienen definidas por nuestro representante en el país de venta. Puede obtener los detalles acerca de estas condiciones en el establecimiento donde haya comprado este aparato. Debe mostrarse la factura de compra o el recibo al hacer alguna reclamación en virtud de las condiciones de garantía.

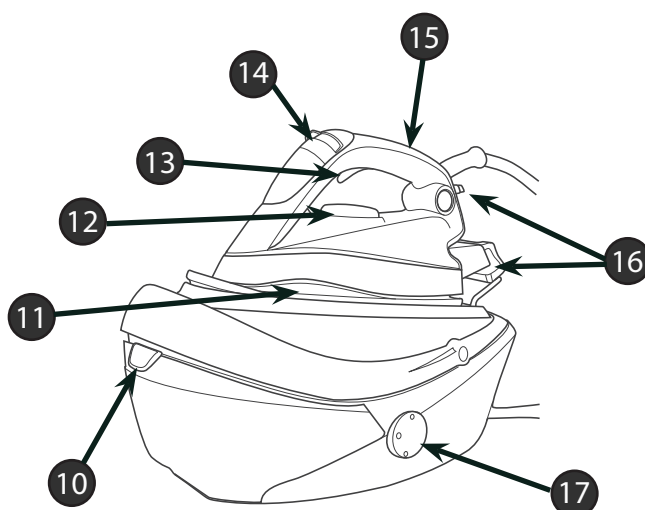
Sujeto a cambios sin previo aviso.





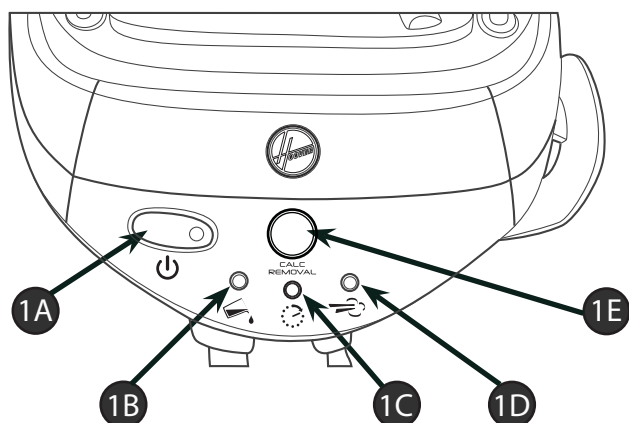
1	Nadzorna plošča
2	Sistem za zaklepanje likalnika
3	Površina za odlaganje likalnika
4	Ročaj za nošenje
5	Odstranljiva posoda za vodo
6	Predal za kabel in cevi
7	Napajalni kabel
8	Dovodna cev
9	Odpertina za polnjenje

slika 1: Opis podstavka in posode



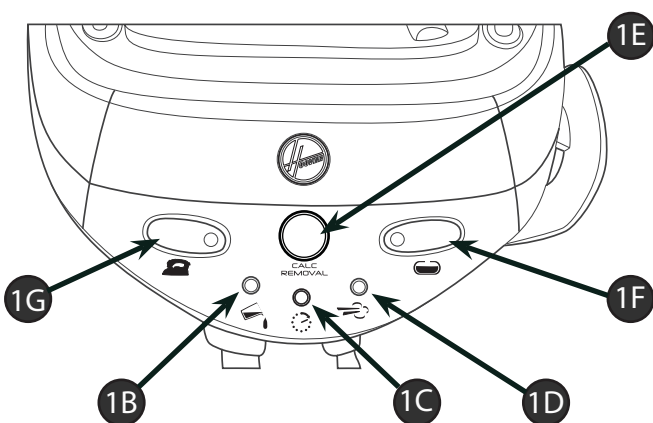
slika 2: Opis gospodinjkega likalnika

10	Gumb odstranjive posode za vodo
11	Likalna plošča
12	Gumb temperature likalne plošče
13	Sprožilo za paro
14	Gumb tehnologije Multi Steam
15	Indikator temperature likalne plošče
16	Blazinice za pokončno postavljanje
17	Pokrovček za odstranjevanje vodnega kamna



1A	Vklop/izklop likalnika z lučko vklopa
1B	Lučka "Izpraznjenosti posode za vodo"
1C	Lučka "Samodejni izklop"
1D	Lučka "Para je pripravljena"
1E	Indikator splakovanja posode za ogrevanje vode in ponastavitve

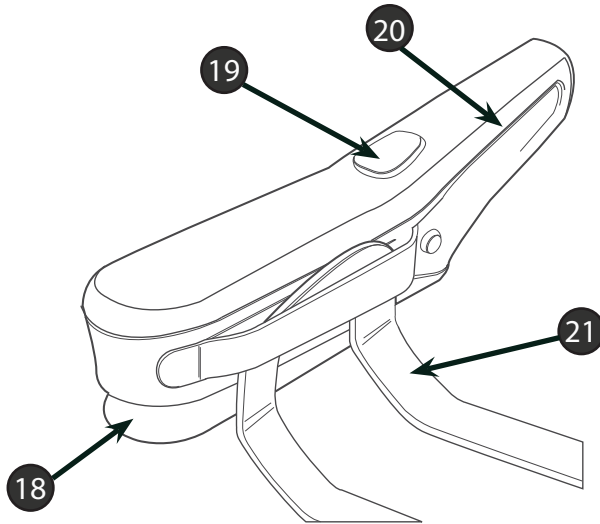
slika 3: Nadzorna plošča gospodinjkega likalnika



1F	Vklop/izklop posode za ogrevanje vode z lučko vklopa
1G	Vklop/izklop likalnika z lučko vklopa

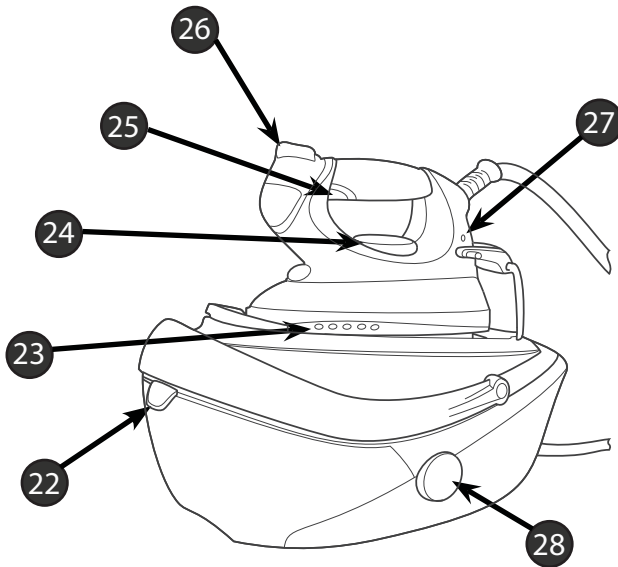
slika 4: Nadzorna plošča Pro likalnika





18	Ščetine
19	Sprožilo za paro
20	Udobni ročaj
21	Podpora profesionalne ščetke in predal za kabel

slika 5: Profesionalna parna ščetka



22	Gumb odstranjive posode za vodo
23	Likalna plošča
24	Gumb temperature likalne plošče
25	Sprožilo pare in zaklep sprožila pare
26	Gumb tehnologije Multi Steam
27	Indikator temperature likalne plošče
28	Pokrovček za odstranjevanje vodnega kamna

slika 6: Opis Pro likalnika



Uvod

Spoštovani uporabnik,

Najprej vam čestitamo za nakup Hooverjevega likalnega sistema in smo vam hvaležni za zaupanje blagovni znamki Hoover.

Ta naprava je plod skrbnega in vsestranskega načrtovanja in izpostavljena tudi več kvalitativnim testom. Upamo, da jo boste z veseljem uporabljali in da bo izpolnila vsa vaša pričakovanja. Prepričani smo, da boste odslej likali veliko hitreje in boljše.

Preden začnete uporabljati novo napravo Hoover pazljivo preberite ta navodila za uporabo. Če potrebujete nadaljnje informacije ali, imate težave, ki niso opisane v teh navodilih, se posvetujte s poprodajno službo ali vašim prodajalcem.

Pomembna varnostna navodila

Prosimo, da pred prvo uporabo pozorno preberete ta navodila in jih shranite za kasnejšo uporabo.

- Ta izdelek je bil načrtovan le za domačo gospodinjstvo uporabo. V primeru komercialne uporabe, neprimerne uporabe ali neupoštevanja navodil, proizvajalec ni odgovoren za napake in garancija ne bo veljavna.
- Pred priključitvijo naprave preverite, če je napetost glavne napeljave enaka kot je navedeno na napravi in če je vtičnica pravilno ozemljena.
- Pred vsako uporabo preverite, da ni poškodovan električni kabel ali kakšen drug pomemben del naprave.
- Ni priporočljivo, da to napravo uporabljajo otroci ali osebe z zmanjšano psihično, zaznavno ali duševno sposobnostjo, razen v primeru, da so ustrezno nadzorovani in da je odrasla oseba odgovorna za njihovo varnost.
- Poskrbite, da se otroci ne bodo igrali z napravo.
- Likalnik imejte postavljen in uporabljajte na ravni in stabilni podlagi. Ko namestite likalnik na njegovo stojalo se prepričajte, da je podlaga stabilna.
- Nikoli ne usmerite pare proti ljudem in živalim. Nikoli tudi ne usmerite curka pare proti električnim ali/in elektronskim napravam.
- Ne uporabljajte naprave, če vam je padla na tla ali, če kaže znake poškodb, slabega delovanja ali, če kaj uhaja iz naprave. Da preprečite kakršne koli poškodbe naj izdelek pregledajo v pooblaščenem servisu Hoover.
- Pred vzdrževalnimi deli vedno zagotovite, da je naprava izključena, izklopljena in ohlajena.
- Ko je naprava vključena in preden se ohladi je nikoli ne pustite brez nadzora.
- Ne izključite naprave z vlečenjem za kabel naprave.
- Nikoli ne potopite likalnika, podstavka, kabla ali vtičača v vodo. Nikoli jih ne držite pod vodovodno pipo.
- Likalna plošča likalnika lahko postane zelo vroča in ob dotiku lahko povzroči opekline. Nikoli se z likalno ploščo ne dotaknite električnega kabla.
- Da se izognete nevarnosti, mora poškodovan napajalni kabel zamenjati izdelovalec, pooblaščen servis ali podobno usposobljena oseba.



Poglavje 1.1 - Nadzorna plošča

Stikalo za vklop/izklop (1A): Lučka na stikalu bo zasvetila in s tem pokazala, da je naprava vklopljena (Samo modeli gospodinjskih likalnikov).

Vklop/izklop likalnika (1G): Z vklopom stikala se bo likalna plošča likalnika začela segrevati. Priporočeno za suho likanje. (samo pri profesionalnem likalniku).

Vklop/izklop grelca (1F): Z vklopom stikala se bo grelec začel segrevati. Prosimo upoštevajte, da mora biti za segrevanje grelca to stikalo na likalniku (1G) vključeno (samo pri profesionalnem likalniku).

Ko je naprava vključena in je lučka za paro (1D) ugasnjena, pomeni, da je para pripravljena. Lahko pritisnete gumb za dovajanje pare in para bo prihajala iz likalne plošče. Upoštevajte, da se lučka med uporabo občasno ugasne, vendar pa kljub temu lahko brez težav nadaljujete z likanjem.



CALC
REMOVAL



Prižgana je lučka za prazno posodo za vodo (1B): V posodi za vodo ni več vode. Napolnite posodo tako, da sledite navodilom v poglavju 2.2

Lučka "Indikator izplakovanja" (1E) sveti: Zaradi preprečevanja nastajanja vodnega kamna, morate posodo za gretje vode izplakniti. Za dodatna navodila si oglejte poglavje 4.2. (le modeli: SRD 4106, SRD 4108, SRD 4110, SRP 4105)

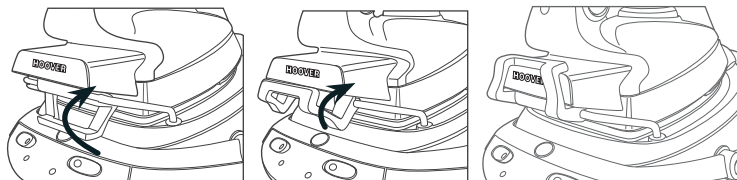


Lučka "Samodejni izklop" (1C) sveti: Po 10 minutah neuporabe pare, se posoda za gretje vode in likalnik začeta ohlajati. Za ponovni začetek likanja izklopite, nato pa vklopite glavno stikalo (1A). Preden znova začnete z likanjem morate malce počakati, da se ustvari zadostna količina pare. Za več podrobnosti si oglejte odstavek, ki opisuje pripravo pare. (le modeli: SRD 4108, SRD 4110)

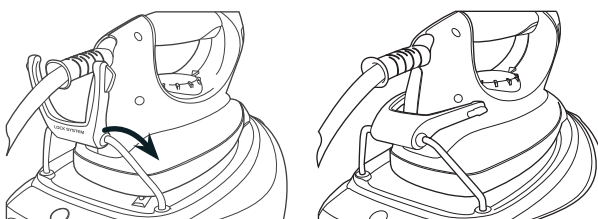
Poglavje 1.2 - Sistem zaklepanja

Za lažje prenašanje in hranjenje vašega likalnega sistema ima vaša naprava posebno načrtovan sistem zaklepanja (2). Ta sistem zaklene likalnik na zgornjem podstavku. Zato je premikanje in shranjevanje naprave zelo enostavno. Za zaklep likalnika na podstavku (3) sledite spodnjim navodilom.





Slika 7: Sistem zaklepanja gospodinjskega likalnika



Slika 8: Sistem zaklepanja Pro likalnika

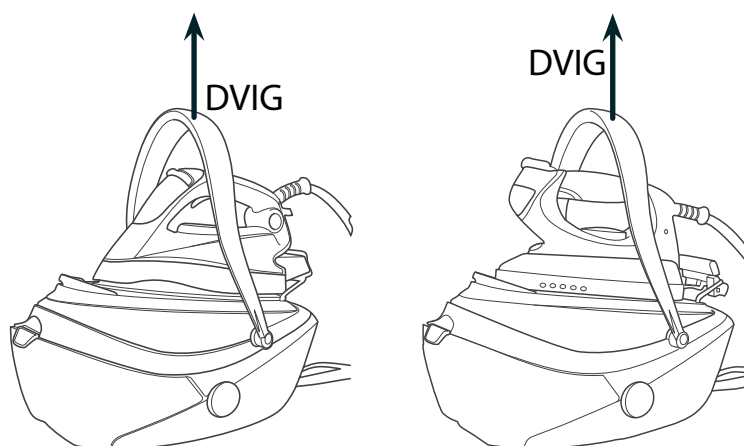
Za odklepanje ravnajte v nasprotnem vrstnem redu.

Opozorilo: Ne nosite naprave med likanjem. Uporabite predvideno držalo (4).

Poglavje 1.3 - Ročaj za nošenje

Generator pare ima ergonomični ročaj za nošenje (4), ki vam omogoča udobno prenašanje naprave.

Pred prenašanjem likalnika se prepričajte, če je likalnik pritrjen na podlago (3). Če ni, sledite navodilom v poglavju 1.2. Ravno tako ne pozabite shraniti kabla v predal za shranjevanje (6) cevi in kablov. Poskrbite tudi, da bo posoda za vodo prazna.



Slika 9: Predstavitev ročaja za nošenje



Poglavje 1.4 - Samodejni izklop



Zaradi lažje uporabe je v napravo vgrajeno stikalo, ki jo po 10 minutah neuporabe samodejno izklopi.

Kot opozorilo se bo oglasil zvočni alarm, vklopila pa se bo tudi lučka za samodejni izklop (1C).

Za ponovno aktivacijo naprave, izklopite glavno stikalo (1A) in počakajte, da se izklopi lučka pripravljenosti pare (1D).

Poglavje 2: Priprava za uporabo

Zaradi močnega učinka pare Hoover priporoča uporabo na aktivni likalni deski s pihalno in vakuumsko funkcijo, ki omogoča izhod odvečne pare.

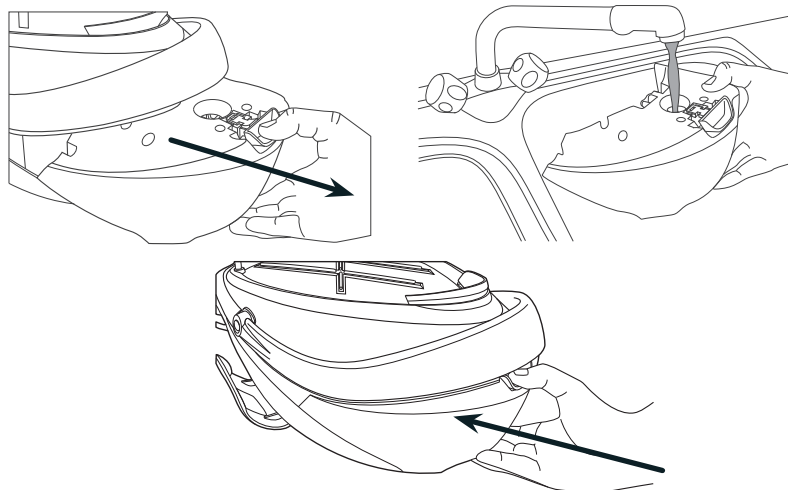
Namestite likalni sistem na stabilno in vodoravno podlago, na primer na trdni del likalne mize ali na podlago, ki je temperaturno odporna.

Poglavje 2.1 - Katera vrsta vode se sme uporabljati?

Hoover likalni sistem je bil zasnovan samo za uporabo z vodo iz vodovoda. Ni potrebe po uporabi destilirane ali čisto destilirane vode. Če živite na območju trde vode lahko vseeno zmešate 50% destilirane vode s 50% vode iz vodovoda. Ne uporabljajte nobene druge vrste vode in ne dodajte nobenih vsebin v odstranjeno posodo za vodo, saj to lahko poškoduje vašo napravo.

Poglavje 2.2 - Polnjenje posode za vodo

Pritisnite gumb posode za vodo (10) in posodo za vodo (5) odstranite iz podstavka. Napolnite jo z vodo. Ne prekoračite oznake za maksimalen nivo vode. Posodo za vodo namestite nazaj na originalno mesto.



Slika 10: Predstavitev polnjenja posode za vodo



Opozorilo: Ne dodajte kisa, vroče vode, dišav ali kakšnih drugih kemikalij ali drugih sestavin v posodo za vodo. Lahko poškodujejo generator pare in zmanjšajo njegovo življenjsko dobo.

Poglavje 2.3 - Vklop naprave

Modeli gospodinjstskih likalnikov:

Povežite napravo z glavnim kablom na ozemljeno vtičnico. Pritisnite gumb za vklop/izklop Lučka za vklop/izklop (1a) se bo vklopila in s tem ponazorila, da je naprava vklopljena in grelnik segreva vodo v posodi.

Po približno 2 minutah bo lučka za paro ugasnila in tedaj lahko začnete uporabljati funkcijo pare.

Profesionalni likalni modeli:

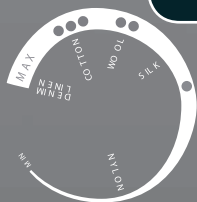
Povežite napravo z glavnim kablom na ozemljeno vtičnico. Pritisnite stikalo za vklop/izklop likalnika (1g) in stikalo za vklop/izklop grelca (1f). Lučki obeh stikal se bosta vklopili in ponazorili, da naprava deluje. Plošča likalnika in grelnik za ogrevanje vode se začneta segrevati.

N.B.

Pri prvi uporabi naprave lahko zaznate hlape in poseben vonj. To je precej običajno in bo hitro izginilo.

Poglavje 3: Uporaba generatorja pare

Poglavje 3.1 - Uravnavanje temperature likalne plošče



Izberite temperaturo likalne plošče z obračanjem kazalca (12) na likalniku v zeleni položaj. Počakajte nekaj trenutkov dokler se indikator temperature (15) ne ugasne. Pokazal vam bo da je likalna plošča dosegla zeleno temperaturo.

Med likanjem se indikator temperature vklaplja in izklaplja saj uravnava temperaturo, ampak ne moti vašega likanja.

Pomoč:

Da izberete najprimernejšo temperaturo za vsako tkanino preverite etiketo na perilu. Prosimo upoštevajte, da se med uporabo likalnika včasih prižge lučka za temperaturo. Naznanja vam, da se likalnik greje na primerno temperaturo.

Če je vaše oblačilo iz različnih vrst vlaken izberite temperaturo likalne plošče priporočeno od najbolj občutljivih materialov.

Če izberete nižjo temperaturo med likanjem, počakajte da se likalnik ohladi do zelene temperature, preden nadaljujete z likanjem.

*Če je temperatura prenizka lahko posamezne kapljice vode padejo z likalne plošče. Prosimo povišajte temperaturo nad 2 piki (**), da preprečite to kapljanje*



Poglavje 3.2 - Likanje

Suho likanje

Modeli gospodinjskih likalnikov:

Za izbiro temperature likalne plošče sledite označbam v poglavju 3.1. Ko likalna plošča doseže želeno temperaturo začnite z likanjem brez pritiskanja na sprožilec za paro (13).

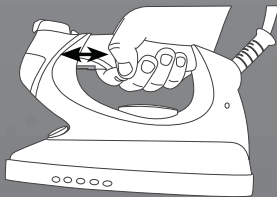
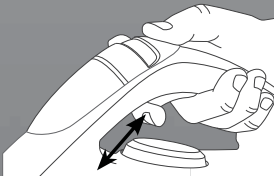
Profesionalni likalni modeli:

Zavrtite samo kovinsko stikalo za vklop (1g). Za izbiro temperature likalne plošče sledite označbam v poglavju 3.1. Začnite z likanjem, ko likalna plošča doseže primerno temperaturo.

Likanje s paro

Za izbiro temperature likalne plošče sledite označbam v poglavju 3.1. Ko je funkcija likanja s paro pripravljena, se ugasne za to namenjena lučka (1d). Sedaj lahko začnete likati in pritisnete gumb za dovajanje pare (13). Curek pare se ustavi, ko sprostite gumb za dovajanje pare.

Za doseganje najboljših rezultatov lahko z gumbom Multi- Steam (14) nastavite intenzivnost dovajanja pare. Za več informacij si oglejte poglavje 3.3.



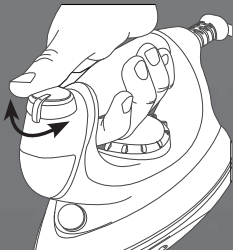
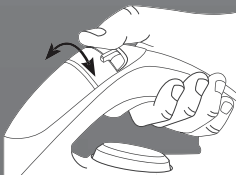
Samo profesionalni likalni modeli:

Funkcija stalnega dovajanja pare: Gumb za stalno dovajanje pare vam omogoča likanje s paro brez pritiskanja na gumb za dovajanje pare. Para bo zato pritekala neprestano. Za vklop ali izklop stalnega dovajanja pare potegnite gumb za stalno (26) dovajanje pare naprej ali nazaj.

N.B.

Med uporabo lahko slišite hrup, ki prihaja iz vašega parnega generatorja. To je normalno. Naznanja, da črpalka vbrizgava vodo v grelec. Priporočeno je, da v tem trenutku ne dovajate pare in se s tem izognete padcu pritiska.

Poglavje 3.3 - Kako izbrati pravo temperaturo likalne plošče in pare?



Za doseganje najboljših rezultatov je zelo pomembno, da nastavite pravo temperaturo likalne plošče in curek pare. Vaša Hoover naprava ima poseben gumb za tehnologijo Multi Steam (14). Če bo pravilno uporabljen vam bo poenostavil likanje in poskrbel za vidne rezultate, saj bo likanje lažje in hitrejše.

Vaš likalnik odlikuje inovativna tehnologija Multi Steam. Paro lahko uporabljate na večini tkanin za doseganje odličnih rezultatov. Izbrati morate med tremi nastavitvami: Razpršeni način, Globinski način in način Natančne moči. Vsaka nastavev bo prilagodila vlago, moč in usmeritev curka pare, tako, da lahko prilagodite curek pare oblačilom za doseganje vidnih rezultatov.

114 - SI

11





V nadaljevanju je nekaj predlogov za doseganje najboljših rezultatov:

Tekstil	Parni način	T°C likalne plošče
Nagubani tekstili	Način Natančna moč (Precise Power)	•••/Maks.
Težavni predeli	Način Natančna moč (Precise Power)	••/•••
Jeans	Globinski način	Maks.
Bombaž	Globinski način	•••
Lan	Globinski način	Maks.
Toga oblačila	Globinski način	•••
Žamet	Globinski način	••
Volna	Globinski način	••
Svila	Razpršeni način	••
Kašmir	Razpršeni način	••
Umetna svila	Razpršeni način	••
Poliester	Ne	•
Najlon	Ne	•
Tekstil	Ne	•
Elastan	Ne	•
Poliamid	Ne	•

Razpršeni način

Tok pare likalnika je skrbno načrtovan, zato lahko tudi najobčutljivejše tkanine, kot sta svila in kašmir, likate z mehkim in natančnim tokom pare. Zmanjšan curek pare se natančno širi iz sprednje strani likalnika na velik del tekstila. Vlakna se zmehčajo tako, da hitro odstranijo gube brez poškodbe oblačila.

Način Natančna moč (Precise Power)

Pretok je usmerjen proti konici likalnika. To omogoča dostop do najobčutljivejših predelov, gub in zank, ki jih boste tako polikali veliko enostavneje in boljše. Težavni predeli so intenzivneje navlaženi, zato je likanje veliko intenzivneje.

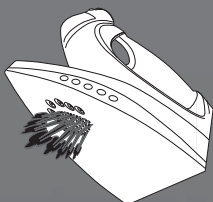
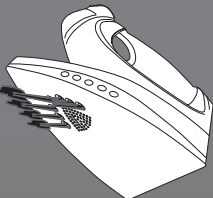
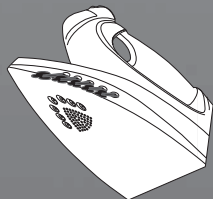
Globinski način

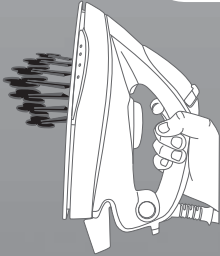
Navpičen curek pare z močnim in vlažnim curkom hitro in brez težav odstrani gube z običajnih tkanin. Para je globoko vrta v vlakna in velika likalna plošča suši tkanino. Gube zato lahko odstranite hitreje.

Pomoč

Ko likate s paro oblačila na katerih lahko pride do poškodb, priporočamo da nastavite likalno ploščo na nižjo temperaturo ali da oblačilo obrnete okoli-navznoter.

Začnite z materiali, ki potrebujejo nižjo temperaturo likanja (•) in končajte s tistimi, ki potrebujejo višjo temperaturo likanja (•••/Maks.).





Poglavje 3.4 - Likanje z navpično paro

Nastavite temperaturo likalne plošče (12) na maksimalno temperaturo in nastavite tehnologijo Multi Steam (14) na program globinskega načina.

Obesite zavese in oblačila (suknjiče, obleke, plašče). Držite likalnik v navpičnem položaju in na kratki razdalji od tkanin, da se izognete zažigu le-teh. Pritisnite sprožilec za paro (13) in pomikajte likalnik od vrha do tal.

Opozorilo: Ne usmerite curka pare proti ljudem in živalim.

Poglavje 3.5 - Polnjenje posode za vodo med uporabo

Posodo za vodo lahko napolnite kadarkoli med uporabo.

Ko je posoda za vodo prazna, se bo prižgala lučka (1b) za prazno posodo za vodo. Para ne prihaja iz likalne plošče in parno likanje ni mogoče.

Pritisnite gumb posode (10) in posodo (5) odstranite iz podstavka. Posodo za vodo napolnite do oznake maksimalnega nivoja. Posodo za vodo namestite nazaj na originalno mesto. Z likanjem lahko takoj nadaljujete.

Za nadaljnja navodila si prosimo oglejte poglavje 2.2.

Poglavje 3.6 - Profesionalna parna ščetka (le model SRD 4110)

Za likanje v navpičnem položaju in enostavno odstranjevanje gub na občutljivih tkaninah, odstranjevanje vonja po cigaretnem dimu ter osvežitev že nošenih oblačil, lahko na likalni sistem namestite profesionalno parno ščetko.

Pred uporabo parne ščetke poskrbite, da bo likalni sistem napolnjen z vodo. Vključite napravo, ko se vklopi LED indikator pripravljenosti pare je parna ščetka pripravljena za uporabo. Za začetek čiščenja pritisnite parni gumb na ščetki.

Opozorilo: Ne usmerite curka pare proti ljudem in živalim.

Poglavje 4: Vzdrževanje in čiščenje

Da preprečite kakršno koli tveganje opeklin mora biti naprava ohlajena za najmanj 2 uri, preden začnete vzdrževalna dela in čiščenje naprave.

Poglavje 4.1 - Čiščenje naprave

Za čiščenje likalne plošče ne uporabljajte detergentov ali čistilnih sredstev. Redno jo čistite z vlažno in ne kovinsko krpo.

Za čiščenje plastičnih delov podstavka, prosimo, da uporabite mehko krpo.



Poglavje 4.2 - Izpiranje grelca glede na lestvico vzdrževanja

Za daljšo življenjsko dobo vaše naprave morate izprati posodo za gretje vode in preprečiti kopičenje vodnega kamna. Posodo za segrevanje vode morate izpirati vsaka 2 meseca, pri modelih SRD 4106, SRD 4108, SRD 4110 in SRP 4105 pa počakajte, da lučka "izpiranje" (1e) utripne.

Modeli z lučko "Izpiranje"

Ko lučka za izpiranje (1e) utripne, lahko normalno nadaljujete z likanjem. Poskrbite le, da boste posodo za ogrevanje vode pred naslednjim likanjem izprali. Ravnajte na naslednji način:

Pred postopkom se prepričajte da je naprava ohlajena in izključena najmanj 2 uri.

Postavite podstavek na rob odtočne cevi in namestite likalnik na ravno podlago. Odstranite čep za odstranitev (10). Odvijte čep za izpiranje grelca s kovancem v nasprotni smeri urinih kazalcev in ga odstranite. Z lijakom in steklenico napolnite grelec z 0,2 litra vode iz vodovoda. Stresite podstavek in nato izpraznite grelno posodo, vodo spustite v odtočno cev. Priporočamo dvakratno ponavljanje tega postopka. S kovancem privijte čep za izpiranje grelca in namestite nazaj čep za odstranitev (10).

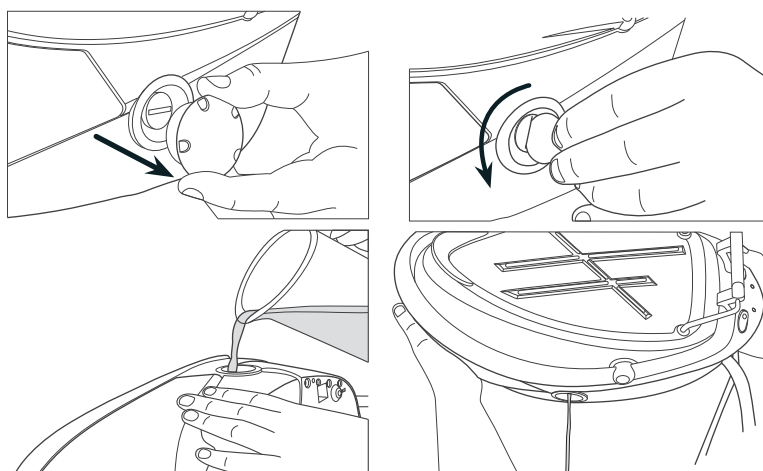
Naslednjič, ko boste vklopili napravo bo lučka splakovanja (1e) še naprej utripala. Napravo ponastavite in pritisnite indikator izpiranja ter takoj začnite z likanjem.

Modeli brez lučke "Izpiranje"

Pred postopkom se prepričajte, da je naprava ohlajena in izključena najmanj 2 uri.

Postavite podstavek na rob odtočne cevi in namestite likalnik na ravno podlago. Odstranite čep za odstranitev (17). Odvijte čep za izpiranje grelca s kovancem v nasprotni smeri urinih kazalcev in ga odstranite. Z lijakom in steklenico napolnite grelec z 0,2 litra vode iz vodovoda. Stresite podstavek in nato izpraznite grelno posodo, vodo spustite v odtočno cev. Priporočamo dvakratno ponavljanje tega postopka. S kovancem privijte čep za izpiranje grelca in namestite nazaj čep za odstranitev (17).

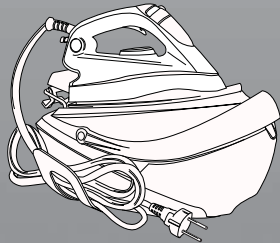
Vsekakor ne uporabljajte kakršnih koli čistilnih sredstev za čiščenje ali izpiranje grelca.



Slika 11 : Postopek čiščenja



Poglavje 4.3 - Skladiščenje



Likalnik postavite na podstavek za ohlajevanje (3).

Ugasnite napravo in jo izključite.

Izpraznite posodo za vodo

Počakajte najmanj 30 minut, da se likalna plošča in generator ohladita.

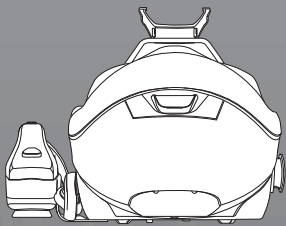
Zaklenite likalnik s sistemom zaklepanja (2). Za nadaljnja navodila si prosimo oglejte poglavje 1.2.

Shranite kabel za paro in električni kabel v prostoru za shranjevanje kablov (6).

Pri modelu SRD 4110 namestite ščetko proti hubam na podporo in shranite kabel v predal.

Upoštevajoč navodila poglavja 1.3, za prenašanje naprave uporabite ročaj (4).

Nato lahko odnesete proč vašo napravo z namenom, da jo varno in brez težav shranite.





Odpravljanje težav

Težava	Vzrok	Rešitev
Naprava ne postane vroča	Težava je v povezavi Naprava ni vključena Temperatura likalne plošče je prenizka	Preverite glavni kabel, vtičač in vtičnico Pritisnite gumb za vklop/izklop Nastavite višjo temperaturo likalne plošče
Naprava ne proizvaja pare	Naprava ni vključena Grelec se še ni ogrel Posoda za vodo utegne biti prazna Ne pritiskate sprožilca za paro Temperatura likalne plošče je nastavljena na maksimalno	Pritisnite gumb za vklop/izklop Počakajte nekaj trenutkov, da LED idikator za paro ugasne Natočite posodo za vodo Pritisnite sprožilec za paro Deluje, toda para ni vidna kot zelo vroča in suha
Med likanjem izhaja para iz čepa za odstranitev	Odstranitveni ventil Calc ni dovolj zatesnjen Poškodovan je anti-scale ventil	Ugasnite napravo in jo pustite, da se ohladi. Odstranite Calc čep za odstranitev in pravilno zatesnite ventil Kontaktirajte vaš pooblaščen servis
Prižgana je lučka, ki nakazuje prazno posodo za vodo	V posodi za vodo ni več vode	Z vodo napolnite posodo za vodo
Likalne plošče postanejo umazane in rjave	V vodi ne bi smeli uporabljati kemikalij in primesi za likanje Perilo je še vedno umazano	Nikoli ne uporabljajte kemikalij ali primesi v vodi. Če je perilo še vedno umazano, se posvetujte pooblaščenim serviserjem Očistite likalno ploščo s krpo za čiščenje, ki ne vsebuje kovin
Na tekstilu se pojavijo vodne proge	Vaša likalna prevleka je zmočena z vodo	Zamenjajte prevleko ali uporabite likalno desko z zaščitno mrežico
Na likalni plošči se je pojavila usedlina	Vaš grelec že dolgo ni bil izpran	Sledite oznakam v primernih poglavjih





Pomembne informacije

Nadomestni deli in potrošni material Hoover

Vedno uporabljajte originalne nadomestne dele Hoover. Dobite jih pri krajevnem prodajalcu Hooverjevih izdelkov. Pri naročanju rezervnih delov vedno preverite številko vašega modela.

Hooverjev servis

Če boste potrebovali servisno storitev, vas prosimo, da se obrnete na pooblaščen krajevni Hooverjev servis. Prosimo spodaj pogledajte vse podrobnosti kontaktov.

Varnost

Hooverjevi strokovnjaki verjamejo, da je neodvisna presoja najboljša pot, ki demonstrira varnost v sestavi in proizvodnji. Istituto del Marchio di Qualità (IMQ), neodvisen italijanski narodni urad za varnost domačih električnih naprav, zagotavlja, da so evropski varnostni standardi primerni in se ohranjajo skozi produkcijo naprave. Vse naprave, ki ustrezajo zahtevam morajo imeti IMQ varnostno oznako.

Kakovost

ISO 9001

Hooverjeve tovarne so bile predmet neodvisnega ocenjevanja kakovosti. Naši izdelki so narejeni s pomočjo sistema kakovosti, ki izpolnjuje zahteve standarda ISO 9001.

Okolje

Ta naprava je označena v skladu z evropsko direktivo 2002/96/ES o odpadni električni in elektronski opremi (WEEE).

S pravilnim odstranjevanjem izdelka boste pripomogli k preprečevanju morebitnih negativnih vplivov na okolje in človeško zdravje, do česar bi utegnili priti ob neprimerni odstranitvi tega izdelka.

Simbol na izdelku pomeni, da izdelka ne smete odstraniti kot gospodinjski odpadek. Oddati ga morate na zbirnem mestu za recikliranje električne in elektronske opreme. Odstranitev morate izvesti v skladu s krajevnimi okoljskimi predpisi glede odstranjevanja odpadkov.

Za podrobnejše informacije o ravnanju z izdelkom, obnovi in recikliranju izdelka se obrnite na krajevni urad, komunalno podjetje za odvoz gospodinjskih odpadkov ali trgovino, kjer ste izdelek kupili.

Vaša garancija

Garancijski pogoji za to napravo so taki, kot jih določi zastopnik v državi, kjer je naprava prodana. Podrobnosti glede garancijskih pogojev lahko dobite od prodajalca, pri katerem ste napravo kupili. Če želite uveljavljati kakršno koli garancijo, potrebujete potrdilo o nakupu ali račun.

Garancija se lahko spreminja brez predhodnega obvestila.

