

INSTRUCTION MANUAL

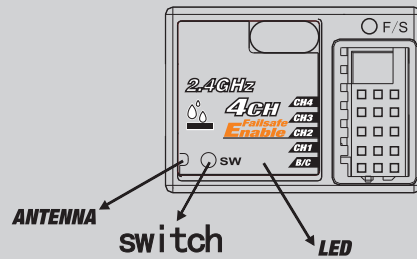
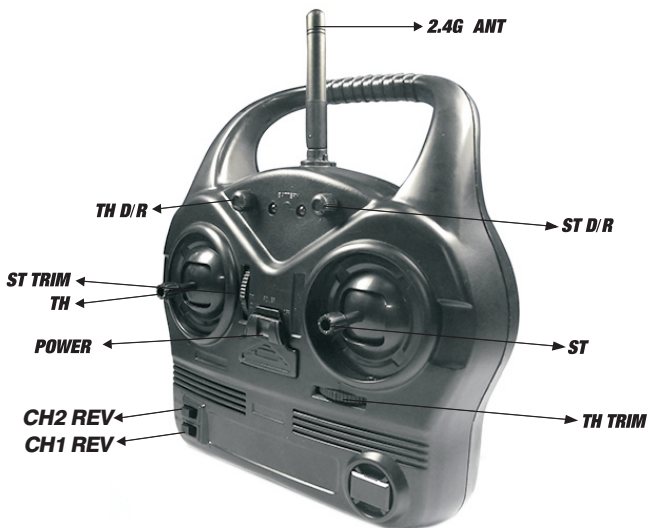


Install the batteries

- (1) Replace the used batteries with new 4AA size batteries.

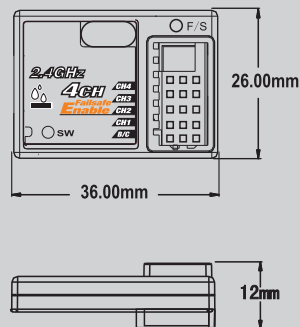
Please replace batteries when the power indicator blinks or the buzzer beeps.

Function



Connectors

- 1: Steering servo (CH1)
 - 2: Throttle servo (CH2)
 - 3: CH3 servo (CH3)
 - 4: CH4 servo (CH4)
- B/C: Power connector



Transmitter Adjustment



⚠ Keep the transmitter and receiver 40cm apart when operating.

Use the REV switches to reverse the steering or throttle operating direction.

Throttle Trim: Trim the throttle servo slightly when the trigger is at the neutral position.

Steering Trim: If the front wheels do not align straight, use the steering trim to adjust.

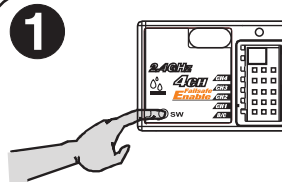
Low battery alarm

Do not operate the radio system when the battery power is low. The battery power is low.

Fail Safe Function Setting

1. Set the TH, ST switches to the normal position.
2. Turn on the transmitter and receiver.
3. Press the F/S SET button, the LED on the receiver should start flashing rapidly.
4. Put the throttle trigger at the brake position, press the F/S SET button, the LED should become solid.
5. For electric model, put the throttle trigger at the stop position when you are making the setting.

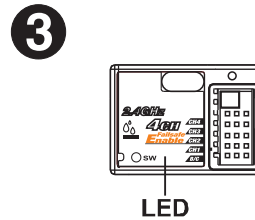
Binding the transmitter and receiver



1. Turn on the receiver power. Press the SW switch. The receiver's LED should start flashing.



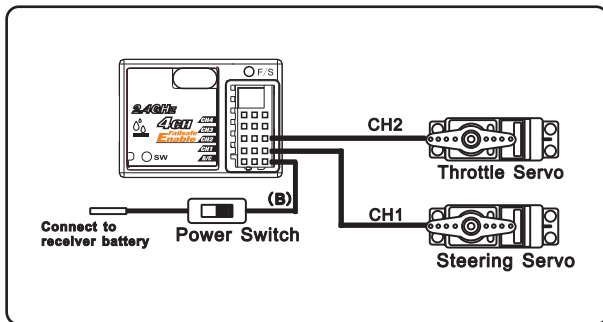
2. Turn on the transmitter.



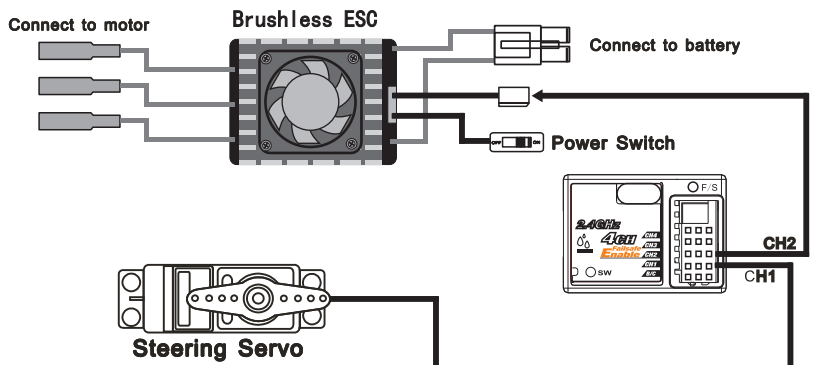
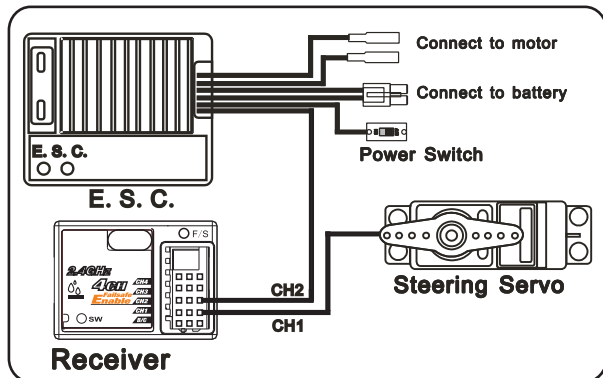
3. When the LED on the receiver becomes solid, the binding process is completed.

Receiver and servo connection

Gas powered model



Electrical powered model



Caution :

This device complies with part 15 of the FCC Rules. Operation is subject to the following two conditions: (1) This device may not cause harmful interference, and (2) this device must accept any interference received, including interference that may cause undesired operation.

Any Changes or modifications not expressly approved by the party responsible for compliance could void the user's authority to operate the equipment.

Note: This equipment has been tested and found to comply with the limits for a Class B digital device, pursuant to part 15 of the FCC Rules. These limits are designed to provide reasonable protection against harmful interference in a residential installation. This equipment generates uses and can radiate radio frequency energy and, if not installed and used in accordance with the instructions, may cause harmful interference to radio communications. However, there is no guarantee that interference will not occur in a particular installation. If this equipment does cause harmful interference to radio or television reception, which can be determined by turning the equipment off and on, the user is encouraged to try to correct the interference by one or more of the following measures:

- Reorient or relocate the receiving antenna.
- Increase the separation between the equipment and receiver.
- Connect the equipment into an outlet on a circuit different from that to which the receiver is connected.
- Consult the dealer or an experienced radio/TV technician for help.

Cet appareil est conforme à la Partie 15 des règlements de la FCC et aux normes RSS de l'Industrie du Canada. Son fonctionnement est soumis aux deux conditions suivantes : (1) cet appareil ne doit pas causer des interférences nuisibles, et (2) cet appareil doit accepter toute interférence reçue, y compris les interférences qui peuvent provoquer un fonctionnement indésirable.

Le fabricant n'est pas responsable des toutes interférences radio ou télévision causées par des modifications non autorisées apportées à cet appareil. De telles modifications peuvent empêcher l'utilisateur d'utiliser l'appareil.