

Installing the Hospira MedNet™ Plug 'n Play Module List 20677

For use with Hospira Plum A+ Infusers with software version 10.3 and higher

Note: The recommended tool for this procedure is a No. 2 Phillips screwdriver.

CAUTION: Use proper ESD grounding techniques when handling components. Wear an antistatic wrist strap and use an ESD-protected workstation. Store the PWA in an antistatic bag before placing it on any surface.

⇒ To replace the module, proceed as follows:

1. Press [ON/OFF] to power the infuser OFF.
2. Disconnect the infuser from AC power.

CAUTION: Infuser must be powered off for at least 2 minutes prior to removing the module.

3. Carefully place the infuser face down.
4. Using a No. 2 Phillips screwdriver, remove the two screws from the module (one in the upper left corner and one in the lower left corner). Refer to Figure 1.
5. Carefully pull the module away from the infuser.

Note: When removing the module, note the placement guides the peripheral PWA rests between.

6. Install the replacement module in the exact reverse order of removal using the screws and lock washers included with the replacement module. Refer to Figure 2.

Note: Verify the module is placed properly between the guides and fits correctly into the CPU PWA.

7. Connect the infuser to AC power.
8. To verify successful module replacement, power ON the infuser and let the system perform its self-tests. The screen will display an E453 Malfunction.
9. Power the infuser OFF, and then ON again.
10. If upgrading from version 12.x, The infuser is ready for operation.
11. If upgrading from version 10.x or 11.x:
 - a) Enter the serial number.
 - a) Power the infuser OFF, and then ON again. The infuser is ready for operation.

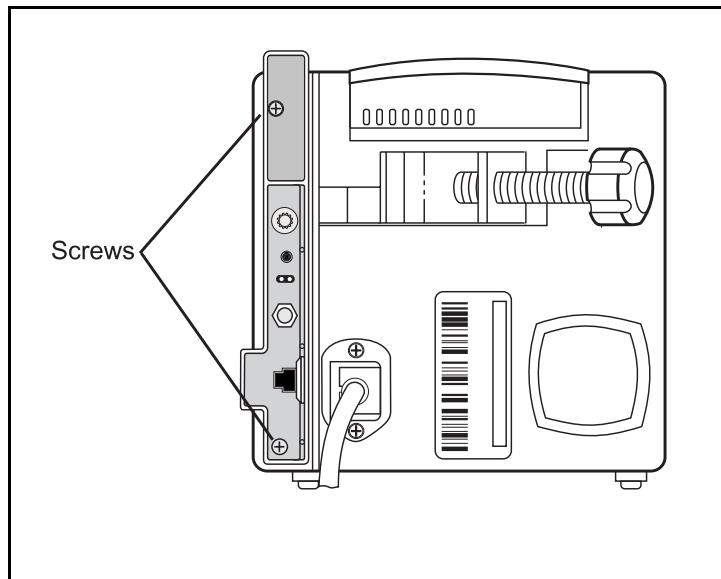


Figure 1. Remove Screws

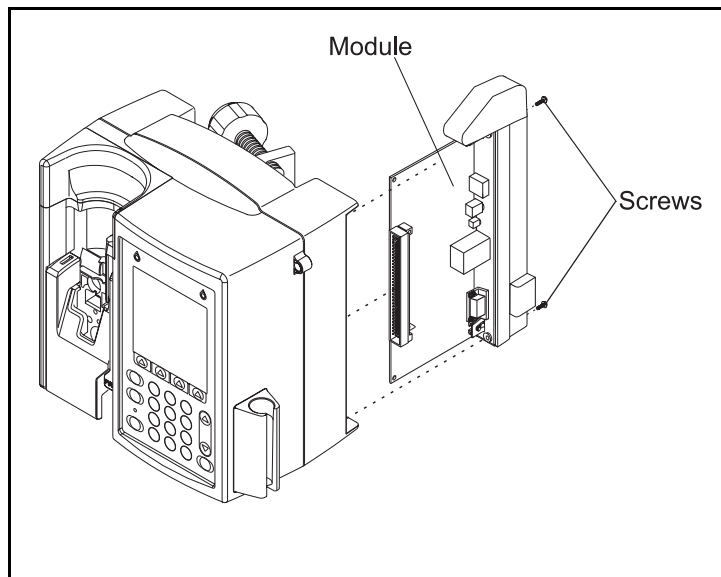


Figure 2. Insert Module