

7.2.6

CE MODULE REPLACEMENT

The recommended tool for this procedure is a No. 2 Phillips screwdriver.


The replacement parts for this procedure are:

CE Module

Screw, 4-40 x 1/4, Pan Head, Square Cone


CAUTION: Use proper ESD grounding techniques when handling components. Wear an antistatic wrist strap and use an ESD-protected workstation. Store the PWA in an antistatic bag before placing it on any surface.

CAUTION: When replacing the CE module, carefully check the Ethernet MAC address on the module label to assure it matches the infuser barcode.


 **Note:** Replacing the CE module does not change the existing biomed settings.

To replace the CE module, see [Figure 7-3, Rear View of the Infuser](#), and [Figure 7-4, CE Module Replacement](#), then proceed as follows:

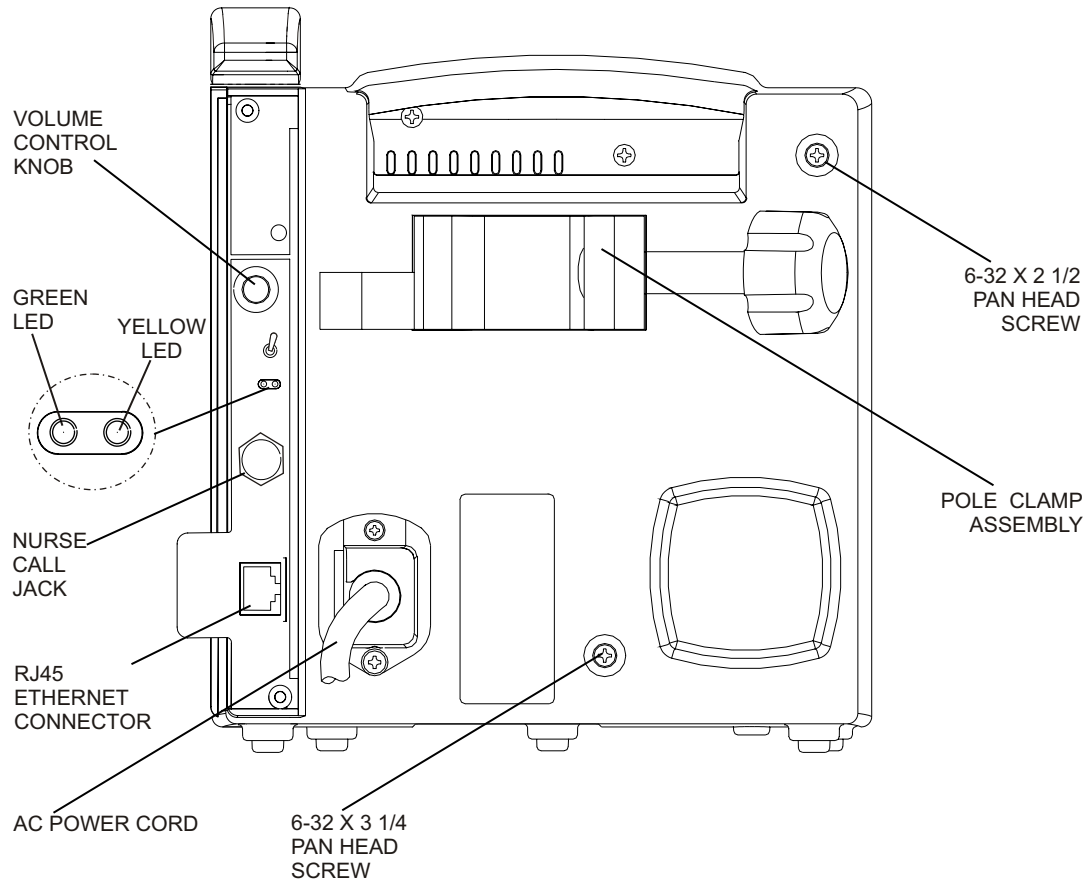
1. Press [ON/OFF] to turn off the infuser, and disconnect the device from AC power.
2. Carefully set the infuser face down.
3. Using the Phillips screwdriver, remove the two 4-40 screws from the CE module.
4. Carefully pull the assembly away from the infuser.

 **Note:** When removing the CE module, note the placement guides where the peripheral PWA rests.

5. Install the replacement CE module in the exact reverse order of removal.

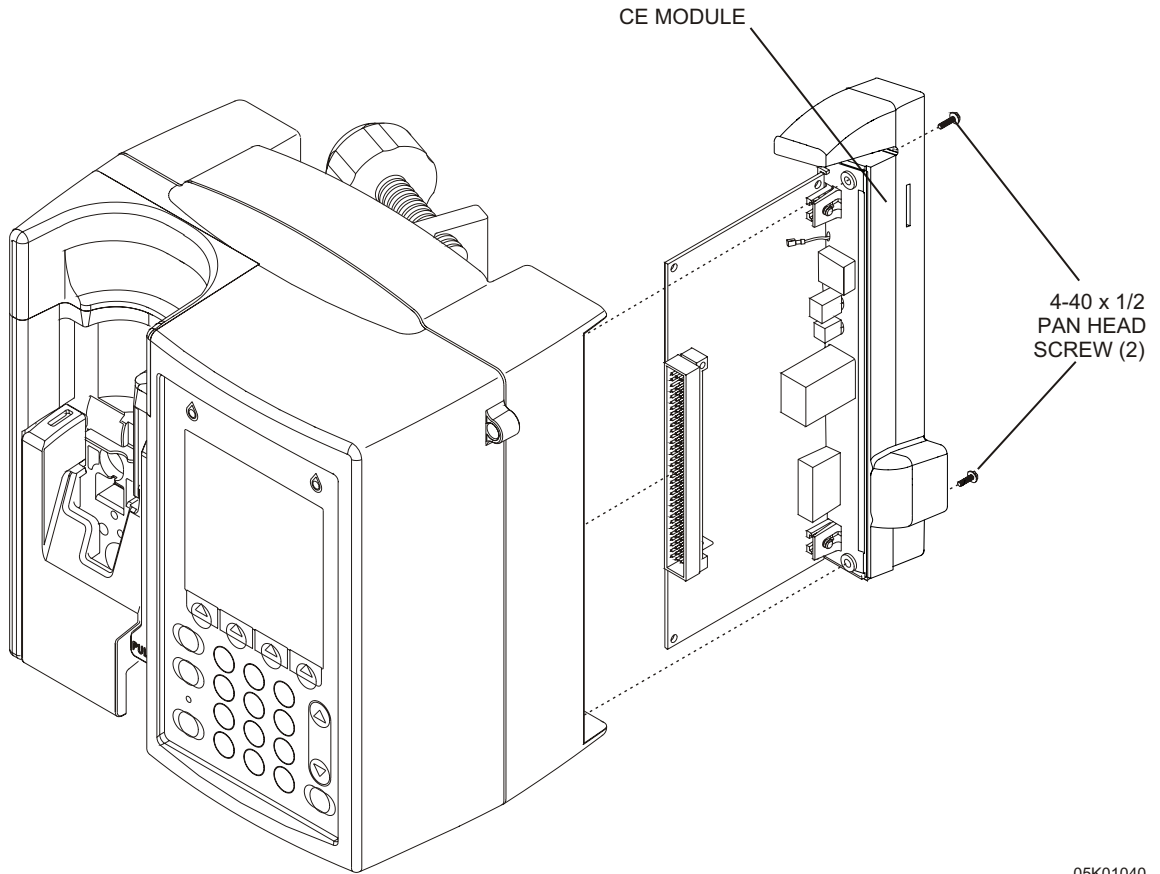
 **Note:** Verify the peripheral PWA is placed properly between the guides and fits correctly into the CPU PWA.

To verify successful CE module replacement, perform the PVT in [Section 5.2](#).



05K01043

Figure 7-3. Rear View of the infuser



05K01040

Figure 7-4. CE Module Replacement