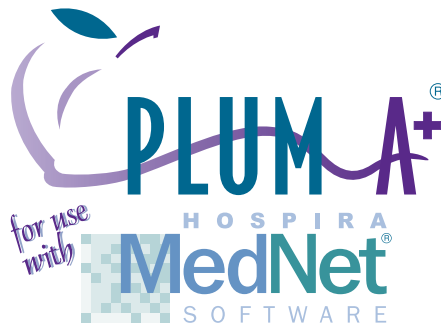


Hospira MedNet 802.11 a/b/g Wireless Upgrade Module



Connectivity Engine (CE) Configuration Guide

Includes

***Hospira MedNet[®] Plug 'n Play Module (List 20677 & 20791-04-77)
For Use with Plum A+ Infusers (Lists 11971, 12391, 20679 & 20792-04)**

***Hospira MedNet[®] Software (List 16033-04)**

©Hospira, Inc.

This document and the subject matter disclosed herein are proprietary information. Hospira retains all the exclusive rights of dissemination, reproduction, manufacture, and sale. Any party using this document accepts it in confidence, and agrees not to duplicate it in whole or in part nor disclose it to others without the written consent of Hospira.

Change History

Part Number	Description of Change
430-11541-001 (Rev. 01/07)	Original issue

This page intentionally left blank.

Contents

INTRODUCTION TO THE MEDNET WIRELESS MODULE	1
FCC INFORMATION	1
US FCC (FEDERAL COMMUNICATIONS COMMISSION) STATEMENT	1
FCC INTERFERENCE STATEMENT	1
RADIO FREQUENCY EXPOSURE STATEMENT	1
GUIDANCE ON EMC COMPATIBILITY	2
INSTALLING THE HOSPIRA MEDNET [®] PLUG 'N PLAY MODULE (LIST 20677-04)	3
To Replace the Module, proceed as follows:	3
CONFIGURATION GUIDE	4
GENERAL NOTES	4
SCOPE	4
ASSUMPTIONS	4
INTRODUCTION	4
SCREENS	5
STATUS PROPERTIES SCREEN	5
ETHERNET PROPERTIES	6
WIRELESS PROPERTIES - WIRELESS ENABLED	6
WIRELESS ENABLED- DHCP ENABLED	8
SECURITY	10
WEP	11
WPA PERSONAL	12
WPA ENTERPRISE	13
WPA ENTERPRISE - AUTHENTICATION TYPE	14
CERTIFICATES	15
HMSS (HOSPIRA MEDNET [®] SERVER SUITE)	16
SERVICE	16
ADMINISTRATION	17
FINISH CONFIGURATION	17
WIRELESS LAN DEVICE SPECIFICATIONS	18

Introduction to the MedNet Wireless Module

The Hospira MedNet 802.11 a/b/g Wireless Upgrade Module is designed as an upgrade module for Hospira Plum A+ Infusion Systems (Lists 20792, 20679, 12391 & 11791). The host units are mobile infusion devices designed to be employed in the medical care environment. The wireless functionality afforded to the host units from the upgrade module include the ability to download drug library information for simultaneously operating hosts without requiring a physical connection and the time spent visiting the rooms they occupy.

FCC Information



US FCC (Federal Communications Commission) Statement

- This device complies with part 15C, 15E of the FCC Rules. Operation is subject to the following two conditions: (1) This device may not cause interference, and (2) This device must accept any interference, including that may cause undesired operation of these devices.

FCC Interference Statement

- This equipment has been tested and found to comply with the limits for a Class B digital device, pursuant to Part 15C, 15E of the FCC Rules. These limits are designed to provide reasonable protection against harmful interference in a residential installation. This equipment generates, uses, and can radiate radio frequency energy. If not installed and used in accordance with the instructions, it may cause harmful interference to radio communications. However, there is no guarantee that interference will not occur in a particular installation. If this equipment does cause harmful interference to radio or television reception, which can be determined by turning the equipment off and on, the user is encouraged to try and correct the interference by one or more of the following measures:
 - Reorient or relocate the receiving antenna.
 - Increase the distance between the equipment and the receiver.
 - Connect the equipment to an outlet on a circuit different from that to which the receiver is connected.
 - Consult the dealer or an experienced radio/TV technician for help.
- Changes or modifications not expressly approved by Hospira could void the user's authority to operate the equipment.

Radio Frequency Exposure Statement

- The Wireless LAN radio device in the Connectivity Engine peripheral board with this infusion device has been evaluated and found compliant to the requirements of the following Radio Frequency exposure standards:
 - Federal Communications Commission, OET Bulletin 65 (Edition 97-01), Supplement C (Edition 01-01), Evaluating Compliance with FCC Guidelines for Human Exposure to Radio frequency Electromagnetic Fields, July 2001.

- Industry Canada, Evaluation Procedure for Mobile and Portable Radio Transmitters with respect to Health Canada's Safety Code 6 for Exposure of Humans to Radio Frequency Fields, Radio Standards Specification RSS-102 Issue 1 (Provisional): September 1999.
- The radiated output power of this Wireless LAN device is far below the FCC radio frequency exposure limits. The Wireless LAN device has been evaluated with zero inches separation of human body from the antenna and found to be compliant with FCC RF exposure limits.

Guidance on EMC Compatibility

- There is a shared responsibility between manufacturers, customers and users to ensure that Medical Equipment and Systems are designed and operated as intended. Medical electrical equipment needs special precautions regarding electromagnetic compatibility and needs to be installed and used according to the electromagnetic compatibility information provided in this manual.
- The device is suitable for use in all establishments, including domestic establishments. If extended operation during power mains interruption is needed, use battery power.
- Always manage the electromagnetic environment.
- The guidance included in this manual provides information needed to:
 - Determine the device's suitability for use in the intended environment.
 - Manage the electromagnetic environment to permit the device to perform as intended without disturbing other equipment.
- Separate the device from all other electronic equipment. If the device must be used near other electrical equipment, monitor the equipment to ensure there is no electromagnetic interference.
- Devices should not be used adjacent to or stacked with other equipment. If the device must be used adjacent to or stacked with other equipment, monitor the devices to verify normal operation.
- USE ONLY components specifically labeled for use with the Plum A+ Infusion System to help ensure the device operates as intended.
- If you suspect external RF sources or other equipment are influencing device operation, contact the biomedical engineering department for additional guidelines concerning electromagnetic immunity.
- Contact the biomedical engineering department for additional information in the technical service manual concerning operating devices near RF sources.
- This device has been tested with the Hospira Plum A+ Infusion System and found to comply with the International Standard IEC 60601-1-2 Edition 2.1 Electromagnetic Compatibility (EMC) of Medical Electrical Equipment.

Installing the Hospira MedNet[®] Plug 'n Play Module (List 20677-04)

Note: For use with Hospira Plum A+ Infusers with software version 10.3 and higher.

Note: The recommended tool for this procedure is a No. 2 Phillips screwdriver.

CAUTION: CAUTION: Use proper ESD grounding techniques when handling components. Wear an antistatic wrist strap and use an ESD-protected workstation. Store the PWA in an antistatic bag before placing it on any surface.

To Replace the Module, proceed as follows:

1. Press [ON/OFF] to power the infuser OFF.
2. Disconnect the infuser from AC power.

CAUTION: Infuser must be powered off for at least 2 minutes prior to removing the module.

3. Carefully place the infuser face down.
4. Using a No. 2 Phillips screwdriver, remove the two screws from the module (one in the upper left corner and one in the lower left corner). Refer to Figure 1.
5. Carefully pull the module away from the infuser.

Note: Note: When removing the module, note the placement guides the peripheral PWA rests between.

6. Install the replacement module in the exact reverse order of removal using the screws and lock washers included with the replacement module. Refer to Figure 2.

Note: Note: Verify the module is placed properly between the guides and fits correctly into the CPU PWA.

7. Connect the infuser to AC power.
8. To verify successful module replacement, power ON the infuser and let the system perform its self-tests. The screen will display an E453 Malfunction.
9. Power the infuser OFF, and then ON again.
10. If upgrading from version 12.x, The infuser is ready for operation.
11. If upgrading from version 10.x or 11.x:
 - a) Enter the serial number.
 - b) Power the infuser OFF, and then ON again. The infuser is ready for operation.

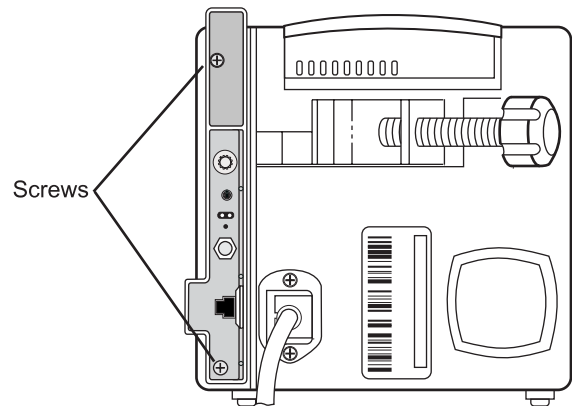


Figure 1. Remove Screws

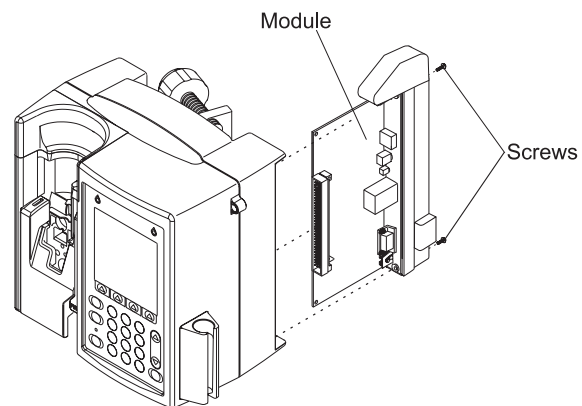


Figure 2. Insert Module

Configuration Guide

General Notes

This document is a general guide for using the CE Configuration Tool.

Note: Please refer to the Installation and Configuration Guide and the User Guide for proper use, warnings and cautions associated with the Hospira MedNet® Software.

The application software is a web page server that resides in the CE. From the server on which HMSS resides, access the infuser Status screen by entering:

https://infuserIPaddress:8443

Note: The default IP address for the infuser is 192.168.0.100 and the Netmask is 255.255.0.0

Scope

The scope of this document is to outline the functionality of the CE Configuration web page that displays in the Microsoft® Internet Explorer Version 6 browser window. This document does not address the functionality of the browser in which the web page displays, nor does it address specific topics related to Ethernet, TCP/IP, Internet, or wireless security and authentication.

Assumptions

The user has a working knowledge of the following terms, features, concepts and facilities:

- Operation of Microsoft® Windows
- Operation of Microsoft® Internet Explorer Version 6 browser
- Basic understanding of Ethernet, IP addresses, MAC Addresses, Subnet Masks, Gateways, DHCP, DNS, Domains
- Basic understanding of HTTP including Basic Authentication, SSL, user IDs, and passwords
- Basic understanding of other Ethernet protocols including Telnet, FTP, TCP, UDP
- URL formats including protocol and port specifications
- Security configuration including WEP, SSID, Access Points, Authentication Types

Introduction

The following is information provided for general use:

- A navigation menu is displayed on the left side of the page
- The Tab key has no effect on the navigation menu items (i.e., it will not select or highlight them)
- Unless otherwise specified, “alphanumeric characters” include all upper- and lower-case letters and numbers

- In this document, “character” refers to all upper- and lower-case letters, numbers, punctuation marks, symbols (i.e., 8-bit character codes between 32 and 126 inclusive)

Screens

Screen	Function
Status	Current status of the CE
Ethernet Properties	Ethernet properties settings
Wireless Properties	Wireless properties settings
Wireless Security Properties	Wireless security properties settings
Certificates	Wireless certificates properties settings
HMSS Properties	Hospira MedNet® Server Suite properties
Service Properties	Service settings
Administration	Administration settings
Finish Configuration	Confirmation and results
Configuration Results	Configuration results

Note: Hovering your mouse over such fields as **Identity** or **Password** will activate a tooltip with admissible characters.

Status Properties Screen

Field/Button	Content/Action
Device Status	Device Name: value entered on HMSS Screen Device Type: Device Type connected to CE App Version: CE version string CE System Version: CE system string
Ethernet	If Ethernet interface is active: IP Address, Subnet Mask, MAC Address If WLAN interface is active: (Interface is down)
Wireless LAN	WLAN Interface is Active: IP Address, Subnet Mask, MAC Address, WEP Enabled, Access Point, SSID, Current Channel, Signal Quality Level, Noise Level, Frequency Band, Transmit Power, Power Save WLAN Interface is not active: (Interface is down)
HMSS	HMSS Host/ URL or IP Address Status: Connected, "Not responding", "(Status is not available)"
Pump	Status: Connected, "Not responding", "(Status is not available)"
Refresh	Updates all Status sections with current values
Next	Displays the Ethernet Properties screen

Ethernet Properties

Field/Button	Content/Action
MAC Address	(Not configurable, READ ONLY) Device MAC address Default: factory default MAC address
Use DHCP	Unchecked: Displays IP Address, Subnet Mask, Gateway fields, DNS1, DNS2, and Domain Checked: Hides IP Address, Subnet Mask, Gateway fields, DNS1, DNS2, and Domain Default: unchecked
IP Address (available when DHCP is unchecked)	IP Address of the device Default: 192.168.0.100
Subnet Mask (available when DHCP is unchecked)	Subnet Mask of the device Default: 255.255.0.0
Gateway (available when DHCP is unchecked)	Gateway Host Name or IP Address Default: Blank
DNS1 (available when DHCP is unchecked)	Primary DNS IP Address Default: Blank
DNS2 (available when DHCP is unchecked) - Optional field	Secondary DNS IP Address Default: Blank
Domain (available when DHCP is unchecked)	Domain name Alphanumeric 1-255 characters and the following 3 characters: Period (.), hyphen (-), underscore (_) Default: Blank
Previous	Displays the previous screen
Reset	Allows you to reconfigure the current page only
Finish	Displays the Finish Configuration screen and should only be clicked when all the variables have been entered
Next	Displays the following screen

Wireless Properties - Wireless Enabled

Field/Button	Content/Action
Wireless Enabled	Checked: Enables Wireless Capability and displays the rest of the fields and checkboxes on the screen Unchecked: Disables Wireless Capability and hides the rest of the fields and checkboxes on the screen Default: Checked

Field/Button	Content/Action
Use DHCP	<p>Unchecked: Displays IP Address, Subnet Mask, Gateway fields, DNS1, DNS2 and Domain</p> <p>Checked: Hides IP Address, Subnet Mask, Gateway fields, DNS1, DNS2 and Domain</p> <p>Default: unchecked</p>
IP Address (DHCP is unchecked)	<p>IP Address of the device</p> <p>Default: 192.168.0.100</p>
Subnet Mask (DHCP is unchecked)	<p>Subnet Mask of the device</p> <p>Default: 255.255.0.0</p>
Gateway (DHCP is unchecked)	<p>Gateway Host Name or IP Address</p> <p>Default: Blank</p>
DNS1 (DHCP is unchecked)- Optional field	<p>Primary DNS IP Address</p> <p>Default: Blank</p>
DNS2 (DHCP is unchecked)- Optional field	<p>Secondary DNS IP Address</p> <p>Default: Blank</p>
Domain (DHCP is unchecked)	<p>Domain name Alphanumeric 1-255 characters and the following 3 characters: Period (.), hyphen (-), underscore (_)</p> <p>Default: Blank</p>
SSID	<p>Alphanumeric, space, and the following characters: ~ ! @ # % ^ & * () _ { } : < > ` - = ; ' , . / 2-32characters</p> <p>Additionally, the following three characters cannot be the first character: ! # ;</p>
Frequency	<p>802.11b (2.4GHz) 802.11b/802.11g (2.4GHz) 802.11g (2.4GHz) 802.11a (5GHz) Auto</p> <p>Default: Auto (The "Auto" option is comprised of 802.11a, 802.11b and 802.11g.)</p> <p>Note: Selecting Auto prompts a sequential search and may be slower</p>
802.11B Preamble	<p>Long Short</p> <p>Default: Long</p>
Power Save	<p>Continuous Access Mode Maximum Power Save</p> <p>Default: Maximum Power Save</p>

Field/Button	Content/Action
Transmit Power	100% (maximum), 75%, 50%, 25%, 12%, 6%, 4%, 2%, 1% (lowest) Default: 100% Note: 100%=50 mW; 50%=25 mW; 25%=12.5 mW; Minimum=1 mW
Country	List of countries Default: United States Note: Selecting a country from the drop-down list, adjusts automatically the frequency and channels.
Previous	Displays the previous screen
Reset	Allows you to reconfigure the current page only
Finish	Displays the Finish Configuration screen and should only be clicked when all the variables have been entered
Next	Displays the following screen

Wireless Enabled- DHCP Enabled

Field/Button	Content/Action
Wireless Enabled	Checked: Enables Wireless Capability and displays the rest of the fields and checkboxes on the screen Unchecked: Disables Wireless Capability and hides the rest of the fields and checkboxes on the screen Default: Checked
Use DHCP	Unchecked: Displays IP Address, Subnet Mask, Gateway fields, DNS1, DNS2 and Domain Checked: Hides IP Address, Subnet Mask, Gateway fields, DNS1, DNS2 and Domain Default: unchecked
Renew Lease on Wireless AP Association	Unchecked: Disables DHCP lease renewal on wireless AP change Checked: Enables DHCP lease renewal on wireless AP change Default: unchecked
SSID	Alphanumeric, space, and the following characters: ~ ! @ # % ^ & * () _ { } : < > ` - = ; ' , . / 2-32 characters Additionally, the following three characters cannot be the first character: ! # ;

Field/Button	Content/Action
Frequency	802.11b (2.4GHz) 802.11b/802.11g (2.4GHz) 802.11g (2.4GHz) 802.11a (5GHz) Auto Default: Auto (The "Auto" option is comprised of 802.11a, 802.11b and 802.11g) Note: Selecting Auto prompts a sequential search and may be slower. Applies if the frequency does not include 802.11b
802.11B Preamble	Long Short Default: Long
Power Save	Continuous Access Mode Maximum Power Save Default: Maximum Power Save
Transmit Power	100% (maximum), 75%, 50%, 25%, 12%, 6%, 4%, 2%, 1% (lowest) Default: 100% Note: 100%=50 mW; 50%=25 mW; 25%=12.5 mW; Minimum=1 mW
Country	List of countries Default: United States Note: Selecting a country from the drop-down list, adjusts automatically the frequency and channels.
Previous	Displays the previous screen
Reset	Allows you to reconfigure the current page only
Finish	Displays the Finish Configuration screen and should only be clicked when all the variables have been entered
Next	Displays the following screen

Security

Important: Security settings, such as identify, password, etc. should conform to your infrastructure.

Field/Button	Content/Action
Security	Disabled WEP WPA Personal WPA Enterprise When WEP is selected, displays Authentication Type, Key Length, WEP Keys 0 - 3, and Default Key fields When WPA Personal is selected, displays Shared Key field When WPA Enterprise is selected, displays Authentication Type and Validate Server Cert objects and fields Default: Disabled

WEP

Field/Button	Content/Action
Security	Disabled WEP (Static only) WPA Personal WPA Enterprise When WEP is selected, displays Authentication Type, Key Length, WEP Keys 0 - 3, and Default Key fields When WPA Personal is selected, displays Shared Key field When WPA Enterprise is selected, displays Authentication Type and Validate Server Cert objects and fields Default: Disabled
Authentication Type (WEP selected)	Open Shared Default: Open
Key Length	WEP 40 (40 + 24/10 hex digits) WEP 104 (104 + 24/26 hex digits)
WEP Key 0 (Required field if this WEP key number is selected in the "Default Key" field)	10 or 26 hex digits Default: Blank
WEP Key 1 (Required field if this WEP key number is selected in the "Default Key" field)	10 or 26 hex digits Default: Blank
WEP Key 2 (Required field if this WEP key number is selected in the "Default Key" field)	10 or 26 hex digits Default: Blank
WEP Key 3 (Required field if this WEP key number is selected in the "Default Key" field)	10 or 26 hex digits Default: Blank
Default Key	0, 1, 2, 3
Previous	Displays the previous screen
Reset	Allows you to reconfigure the current page only
Finish	Displays the Finish Configuration screen and should only be clicked when all the variables have been entered
Next	Displays the following screen

Note: If the information is entered incorrectly, an error message will pop-up indicating what fields needs changing and display the parameters.

WPA Personal

Field/Button	Content/Action
Security	Disabled WEP WPA Personal WPA Enterprise When WPA Personal is selected, displays Shared Key field Default: Disabled
Encryption Protocol	WPA2-CCMP/AES (requires appropriate hardware for access points) WPA1-TKIP Default: WPA2-CCMP/AES
Shared Key	64 (hex) character shared key value or an 8 - 63 ASCII character pass-phrase Note: An invalid entry will prompt an error message and display the field requirements
Previous	Displays the previous screen
Reset	Allows you to reconfigure the current page only
Finish	Displays the Finish Configuration screen and should only be clicked when all the variables have been entered
Next	Displays the following screen

WPA Enterprise

Note: WPA Enterprise requires an authentication server. We support Free Radius and Cisco ACS.

Field/Button	Content/Action
Security	Disabled WEP WPA Personal WPA Enterprise When WPA Enterprise is selected, displays Authentication Type and Validate Server Cert objects and fields Default: Disabled
Encryption Protocol	WPA2-CCMP/AES (requires appropriate hardware for access points) WPA1-TKIP Default: WPA2-CCMP/AES
Authentication Type (see table below for fields available according to settings)	EAP-TLS (Default setting) EAP-TTLS (FreeRadius only) EAP-PEAP EAP-FAST (Cisco ACS only)
Previous	Displays the previous screen
Reset	Allows you to reconfigure the current page only
Finish	Displays the Finish Configuration screen and should only be clicked when all the variables have been entered
Next	Displays the following screen

Note: No format checking is performed at the time a file is uploaded.

WPA Enterprise - Authentication Type

Authentication Type:	Field/Content
EAP-TLS (Default)	<p>Identity</p> <p>Validate Server Cert</p> <p>Note: Placing a checkmark in the box next to Validate Server Cert: enables the server certificate validation. If checked, a Client Certificate and an appropriate CA Certificate should be uploaded on the Certificates page</p>
EAP-TTLS	<p>Protocol:</p> <ul style="list-style-type: none"> • EAP-MSCHAPv2 • EAP-MD5 • PAP • CHAP • MSCHAP • MSCHAPv2 <p>Identity</p> <p>Password</p> <p>Confirm Password</p> <p>Anonymous identity (Optional)</p> <p>Validate Server Cert (Optional)</p> <p>Note: Placing a checkmark in the box next to Validate Server Cert: enables the server certificate validation. If checked, an appropriate CA Certificate should be uploaded on the Certificates page</p>
EAP-PEAP	<p>Peap Inner Protocol:</p> <ul style="list-style-type: none"> • EAP-MSCHAPv2 • EAP-MD5 <p>Identity</p> <p>Password</p> <p>Confirm Password</p> <p>Anonymous identity (Optional)</p> <p>Validate Server Cert (Optional)</p> <p>Note: Placing a checkmark in the box next to Validate Server Cert: enables the server certificate validation. If checked, an appropriate CA Certificate should be uploaded on the Certificates page</p>
EAP-FAST	<p>Identity</p> <p>Password</p> <p>Confirm Password</p> <p>Anonymous identity (Optional)</p> <p>PAC File (Selecting Upload accesses the pop-up Browse feature)</p> <p>Important: Verify the ACS server's system configuration has the AP EAP request timeout set at 180 and the AP Activity Timeout "unknown (non-cisco)" default is set at 220 (seconds)</p>

The software shall support the following file type for WPA Authentication:

- FAST PAC File - FAST Protected Access Credential (PAC) file

Certificates

This category is optional and will depend upon your network configuration.

Field/Button	Content/Action
Client Certificate	Default Hospira Certificate User Specified Certificate Default: Hospira Certificate
Client Certificate (User Specified Certificate selected)	Private Key File (upload/browse feature) Password Confirm Password Certificate File (upload/browse feature) Note: A "Success" message appears once the file is loaded and the file information displays. If the transfer fails, an error message displays
CA Certificates	Active Certificates Add Certificate (upload/browse feature) Note: The software shall allow up to three CA Certificates to be active at one time
Previous	Displays the previous screen
Reset	Allows you to reconfigure the current page only
Finish	Displays the Finish Configuration screen and should only be clicked when all the variables have been entered
Next	Displays the following screen

The software shall support the following file types for WPA authentication:

- CA Certificate - PEM, DER
- Client Certificate - PEM, DER
- Private Key File - PEM, DER, PFX

HMSS (Hospira MedNet[®] Server Suite)

Field/Button	Content/Action
HMSS HostIP Address	Server IP address or hostname Format: alphanumeric and the following (3) characters: Period (.), hyphen (-), underscore (_). The first character must be an alpha-character and the last character may not be a hyphen (-) character. A valid IP address is of the form "xxx.xxx.xxx.xxx" where xxx is a number between 0 and 255.
HMSS SSL Enabled	Checked: Enables SSL mode during HMSS communications Unchecked: Disables SSL mode during HMSS communications Default: unchecked Important: The appropriate port needs to be opened for outbound traffic. Port 8443 or 8080 for device to HMSS and Port 80 or 443 for HMSS to device
Device Name	Device unique ID 1-255 characters or less Note: We recommend using 15 characters or less. Using more than 15 characters may affect HMSS report layouts Default: device00 (must be renamed - cannot be saved)
Device Type (READ ONLY)	Hospira Plum A+ or Hospira Plum A+(CE) or Hospira PCA or Hospira Symbiq
Previous	Displays the previous screen
Reset	Allows you to reconfigure the current page only
Finish	Displays the Finish Configuration screen and should only be clicked when all the variables have been entered
Next	Displays the following screen

Service

Telnet and FTP are enabled by default in order to generate the configuration.

Note: We recommend turning off both Telnet and FTP before putting the pump into production and disabling HTTP access to the device (Port 8008).

Field/Button	Content/Action
Telnet Enabled	Checked: The CE Telnet service on port 23 is enabled Unchecked: The CE Telnet service is disabled
FTP Enabled	Checked: The CE FTP service on port 21 is enabled Unchecked: The CE FTP service is disabled
Non-Secure Configuration Access (HTTP) Enabled	Checked: The non-secure HTTP access to the web configuration pages is enabled on port 8008 Unchecked: HTTP access to the web is disabled

Field/Button	Content/Action
Previous	Displays the previous screen
Reset	Allows you to reconfigure the current page only
Finish	Displays the Finish Configuration screen and should only be clicked when all the variables have been entered
Next	Displays the following screen

Note: Web configuration access to the device using HTTPs (SSL) is always enabled.

Administration

Field/Button	Content/Action
Web User	Web log in username. Format: ASCII, 1-31 characters. Colon (:) is not allowed Default: admin
Web Password	Web password. Format: ASCII, 1-20 characters Default: admin
Confirm Password	Confirms the password entered displaying as a dot for each character Note: An error message displays if the confirmed password does not match the web password
Previous	Displays the previous screen
Reset	Allows you to reconfigure the current page only
Finish	Displays the Finish Configuration screen and should only be clicked when all the variables have been entered
Next	Displays the following screen

Finish Configuration

Note: You may want to verify some or all of the previous screens to ensure the information is entered correctly. It may take up to 5 minutes to activate the changes.

Field/Button	Content/Action
Previous	Displays the previous screen
Finish	Commits the configuration changes to the device

The **Configuration Successful** screen displays. If a configuration error occurred, you will be prompted to use the menu to return to a page of your choice. Close the browser and remove the Ethernet cable if you wish to test the infuser on wireless mode. The computer will reboot in a few seconds.

Wireless Lan Device Specifications

Standards:	IEEE802.11a/b/g
Transmit Power:	802.11 b/g: 17.6 dBm 802.11 a: 19 dBm
Antenna:	Integrated surface mount antenna

For technical assistance, product return authorization, and to order parts, accessories, or manuals within the United States, [contact Hospira Technical Support Operations](#).

1-800-241-4002

For additional services and technical training courses, visit the website at www.hospira.com.

For technical assistance and services outside the United States, contact the local Hospira sales office.

CAUTION: Federal (USA) law restricts this infuser to sale by or on the order of a physician or other licensed practitioner.

Plum A+, LifeCare PCA and Symbiq are registered trademarks of Hospira, Inc. Microsoft and Windows are not trademarks or registered trademarks of Hospira, Inc. The Symbiq infusion system uses components and technologies protected by U.S. Patent Numbers USD500326; USD515205; US5989222; US519175; US5462256; US5586868; US5816779; US5681285. Other patents pending.

This document and the subject matter disclosed herein are proprietary information. Hospira retains all the exclusive rights of dissemination, reproduction, manufacture, and sale. Any party using this document accepts it in confidence, and agrees not to duplicate it in whole or in part nor disclose it to others without the written consent of Hospira.



Complies with limits for Class B digital device established by FCC Rules, Part 15



Attention, consult accompanying documents.

DUT INFORMATION

FCC ID: **STJ-20791**

IC No: **5627A-20791**

Certifications: FCC Part 15.247, 15.407

IC RSS-210, RSS-102

Device Name: Hospira MedNet 802.11 a/b/g Wireless Upgrade Module

Note: For use with **Hospira PlumA+ Infusion system**

Model Nos Covered: **20791-04-77, 20677-04-77**

Note: Above two device model numbers are based on the same assembly. Device Model 20791-04-XX is meant for use in models 20792-04-XX and 20679-04-XX of PlumA+ Infusion System and device model 20677-04-XX is meant for use in models 12391-04-XX and 11971-04-XX Plum A+ Infusion Systems.

© Hospira, Inc.