

# Mounting Instructions | Montageanleitung

English

Deutsch



## T40FH

Hottinger Baldwin Messtechnik GmbH  
Im Tiefen See 45  
D-64239 Darmstadt  
Tel. +49 6151 803-0  
Fax +49 6151 803-9100  
info@hbm.com  
www.hbm.com

Mat.: 7-2002.4429  
DVS: A4429-1.0 HBM: public  
02.2016

© Hottinger Baldwin Messtechnik GmbH.

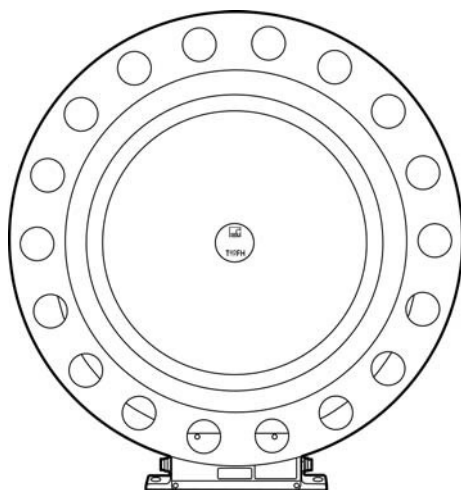
Subject to modifications.  
All product descriptions are for general information only.  
They are not to be understood as a guarantee of quality or  
durability.

Änderungen vorbehalten.  
Alle Angaben beschreiben unsere Produkte in allgemeiner  
Form. Sie stellen keine Beschaffenheits- oder Haltbarkeits-  
garantie dar.

# Mounting Instructions | Montageanleitung

English

Deutsch



## T40FH

<b>1</b>	<b>Safety instructions</b> .....	<b>4</b>
<b>2</b>	<b>Markings used</b> .....	<b>11</b>
2.1	Symbols on the transducer .....	11
2.2	The markings used in this document .....	12
<b>3</b>	<b>Application</b> .....	<b>13</b>
<b>4</b>	<b>Structure and mode of operation</b> .....	<b>14</b>
<b>5</b>	<b>Mechanical installation</b> .....	<b>16</b>
5.1	Important precautions during installation .....	16
5.2	Conditions on site .....	17
5.3	Mounting position .....	18
5.4	Installation options .....	18
5.4.1	Installation with antenna ring removed .....	19
5.5	Preparing for the rotor mounting .....	20
5.6	Mounting the rotor .....	24
5.7	Installing the stator .....	27
5.8	Rotational speed measuring system .....	32
<b>6</b>	<b>Electrical connection</b> .....	<b>35</b>
6.1	General information .....	35
6.2	EMC protection .....	35
6.3	Connector pin assignment Option 4, Code SU2, DU2, HU2 ....	37
6.4	Connector pin assignment Option 3, Code PNJ .....	42
6.5	Supply voltage (SU2, DU2, HU2) .....	42
6.6	Supply voltage (Option 3, Code PNJ) .....	43
<b>7</b>	<b>TEDS transducer identification (Option 3, Code PNJ)</b> .....	<b>44</b>
7.1	Hierarchy of user rights .....	44
7.1.1	Standard rights (USR level) .....	44
7.1.2	Calibration rights (CAL level) .....	44

---

7.1.3	Administrator rights (ID level) .....	45
7.2	Contents of the TEDS memory as defined in IEEE 1451.4 .....	45
<b>8</b>	<b>Shunt signal .....</b>	<b>50</b>
<b>9</b>	<b>Functionality testing .....</b>	<b>51</b>
9.1	Rotor status, LED A (upper LED) .....	52
9.2	Stator status, LED B (lower LED) .....	52
<b>10</b>	<b>Load-carrying capacity .....</b>	<b>54</b>
<b>11</b>	<b>Maintenance .....</b>	<b>56</b>
<b>12</b>	<b>Waste disposal and environmental protection .....</b>	<b>57</b>
<b>13</b>	<b>Dimensions .....</b>	<b>58</b>
13.1	T40FH torque transducer with rotational speed measuring system, Option 4, Code SU2, DU2, HU2 .....	58
13.1.1	T40FH 100 kNm - 150 kNm .....	58
13.1.2	T40FH 200 kNm - 300 kNm .....	59
13.2	T40FH torque transducer (non-rotating), Option 4, Code PNJ .....	60
13.2.1	T40FH 100 kNm - 150 kNm .....	60
13.2.2	T40FH 200 kNm - 300 kNm .....	61
<b>14</b>	<b>Ordering numbers, accessories .....</b>	<b>62</b>
<b>15</b>	<b>Specifications .....</b>	<b>64</b>
<b>16</b>	<b>Supplementary technical information .....</b>	<b>72</b>

# 1 Safety instructions

## FCC conformity and notice



### Information

*FCC option only available on request.*



### Important

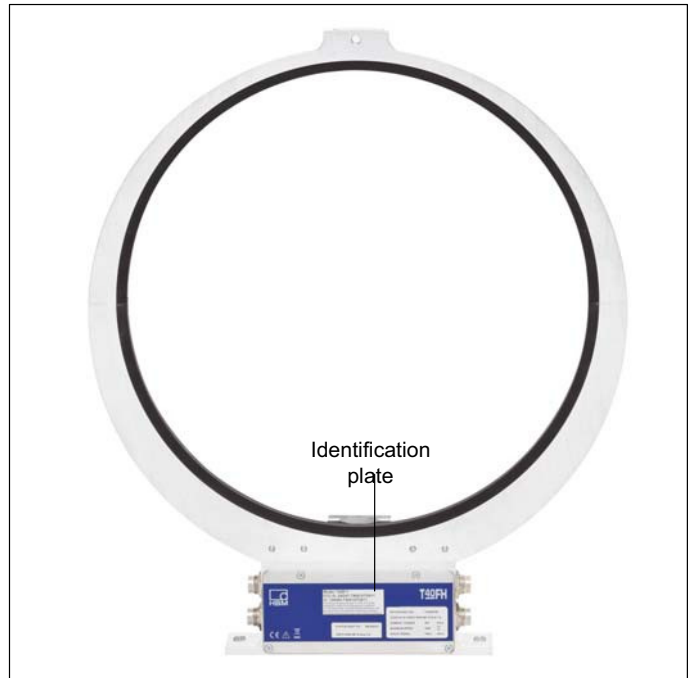
*Any change or modification not expressly approved in writing by the party responsible for conformity could void the user's authority to operate this equipment. Where indicated, additional components or accessories whose use is prescribed elsewhere during installation of the product must be used to ensure compliance with the FCC Rules.*

This device complies with Part 15 of the FCC Rules. Operation is subject to the following two conditions: (1) This device may not cause harmful interference and (2) this device must accept any interference received, including interference that may cause undesired operation.

The FCC ID, that is to say, the unique identifier, must be visible on the device.

Model	Measuring ranges	FCC ID	IC
T40S10	100 kNm, 130 kNm, 150 kNm	2ADAT-T40S10TOS11	12438A-T40S10TOS11
T40S11	200 kNm, 250 kNm, 300 kNm		

Example of a label with FCC ID and IC number.



*Fig. 1.1 Position of the label on the device stator*

**Model: T40S10**

**FCC ID: 2ADAT-T40S10TOS11**

**IC: 12438A-T40S10TOS11**

This device complies with part 15 of the FCC Rules. Operation is subject to the following two conditions: (1) This device may not cause harmful interference, and (2) this device must accept any interference received, including interference that may cause undesired operation.

*Fig. 1.2 Example of a label*

This device complies with Industry Canada standard RSS210.

This device complies with Industry Canada license-exempt RSS standard(s). Operation is subject to the following two conditions: (1) This device may not cause harmful interference, and (2) this device must accept any interference received, including interference that may cause undesired operation.

*Cet appareil est conforme aux norme RSS210 d'Industrie Canada.*

*Cet appareil est conforme aux normes d'exemption de licence RSS d'Industrie Canada. Son fonctionnement est soumis aux deux conditions suivantes : (1) cet appareil ne doit pas causer d'interférence et (2) cet appareil doit accepter toute interférence, notamment les interférences qui peuvent affecter son fonctionnement.*

### **Appropriate use**

The T40FH torque flange is used exclusively for torque, angle of rotation and power measurement tasks within the load limits stipulated in the specifications. Any other use is not appropriate.

*Stator operation is only permitted when the rotor is installed.*

The torque flange may only be installed by qualified personnel in compliance with the specifications and with the safety requirements and regulations of these mounting instructions. It is also essential to observe the applicable legal and safety regulations for the application concerned. The same applies to the use of accessories.

The torque flange is not intended for use as a safety component. Please also refer to the "Additional safety precautions" section. Proper and safe operation requires



proper transportation, correct storage, siting and mounting, and careful operation.

### **Load-carrying capacity limits**

The data in the technical data sheets must be complied with when using the torque flange. The respective specified maximum loads in particular must never be exceeded. The values stated in the technical data sheets, for example, must not be exceeded for

- Limit torque,
- Longitudinal limit force, lateral limit force or bending limit moment,
- Torque oscillation width,
- Breaking torque,
- Temperature limits,
- Limits of the electrical load-carrying capacity.

### **Use as a machine element**

The torque flange can be used as a machine element. When used in this manner, it must be noted that, to favor greater sensitivity, the transducer is not designed with the safety factors usual in mechanical engineering. Please refer here to the section "Load-carrying capacity limits", and to the specifications.

### **Accident prevention**

According to the prevailing accident prevention regulations, once the transducers have been mounted, a covering agent or cladding has to be fitted as follows:

- The covering agent or cladding must not be free to rotate.

- The covering agent or cladding should prevent squeezing or shearing and provide protection against parts that might come loose.
- Covering agents and cladding must be positioned at a suitable distance or be so arranged that there is no access to any moving parts within.
- Covering agents and cladding must still be attached even if the moving parts of the torque flange are installed outside peoples' movement and working range.

The only permitted exceptions to the above requirements are if the torque flange is already fully protected by the design of the machine or by existing safety precautions.

### **Additional safety precautions**

The torque flange cannot (as a passive transducer) implement any (safety-relevant) cutoffs. This requires additional components and constructive measures, for which the installer and operator of the plant is responsible. The electronics conditioning the measurement signal should be designed so that measurement signal failure does not subsequently cause damage.

The scope of supply and performance of the transducer covers only a small area of torque measurement technology. In addition, equipment planners, installers and operators should plan, implement and respond to safety engineering considerations in such a way as to minimize residual dangers. Pertinent national and local regulations must be complied with.

### **General dangers of failing to follow the safety instructions**

The torque flange corresponds to the state of the art and is failsafe. Transducers can give rise to residual dangers if they are incorrectly operated or inappropriately mounted, installed and operated by untrained personnel. Every person involved with siting, starting-up, operating or repairing a torque flange must have read and understood the mounting instructions and in particular the technical safety instructions. The transducers can be damaged or destroyed by non-designated use of the transducer or by non-compliance with the mounting and operating instructions, these safety instructions or any other applicable safety regulations (BG safety and accident prevention regulations) when using the transducers. Transducers can break, particularly in the case of overloading. The breakage of a transducer can also cause damage to property or injury to persons in the vicinity of the transducer.

If the torque flange is not used according to the designated use, or if the safety instructions or specifications in the mounting and operating instructions are ignored, it is also possible that the transducer may fail or malfunction, with the result that persons or property may be affected (due to the torques acting on or being monitored by the torque flange).

### **Conversions and modifications**

The design or safety engineering of the transducer must not be modified without our express permission. Any modification shall exclude all liability on our part for any damage resulting therefrom.

## **Selling on**

If the torque flange is sold on, these mounting instructions must be included with the torque flange.

## **Qualified personnel**

Qualified personnel are persons entrusted with the setup, mounting, startup and operation of the product, who have the appropriate qualifications for their function.

This includes people who meet at least one of the three following requirements:

1. Knowledge of the safety concepts of automation technology is a requirement and as project personnel, you must be familiar with these concepts.
2. As automation plant operating personnel, you have been instructed how to handle the machinery. You are familiar with the operation of the equipment and technologies described in this documentation.
3. As commissioning engineers or service engineers, you have successfully completed the training to repair the automation systems. You are also authorized to operate, ground and label circuits and equipment in accordance with safety engineering standards.

## 2 Markings used

### 2.1 Symbols on the transducer

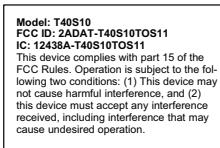


Read and note the data in this manual



#### CE mark

The CE mark enables the manufacturer to guarantee that the product complies with the requirements of the relevant EC directives (the Declaration of Conformity can be found on the HBM website [www.hbm.com](http://www.hbm.com) under HBMdoc).



#### Example of a label

Example of a label with FCC ID and IC number. Position of the label on the device stator.








#### Statutory waste disposal mark

The electrical and electronic devices that bear this symbol are subject to the European waste electrical and electronic equipment directive 2002/96/EC. The symbol indicates that, in accordance with national and local environmental protection and material recovery and recycling regulations, old devices that can no longer be used must be disposed of separately and not with normal household garbage, *see also Chapter 12, Page 57.*

## 2.2 The markings used in this document

Important instructions for your safety are specifically identified. It is essential to follow these instructions in order to prevent accidents and damage to property.

Symbol	Significance
 <b>WARNING</b>	This marking warns of a <i>potentially</i> dangerous situation in which failure to comply with safety requirements <i>can</i> result in death or serious physical injury.
 <b>CAUTION</b>	This marking warns of a <i>potentially</i> dangerous situation in which failure to comply with safety requirements <i>can</i> result in slight or moderate physical injury.
<b>Notice</b>	This marking draws your attention to a situation in which failure to comply with safety requirements <i>can</i> lead to damage to property.
 <b>Important</b>	This marking draws your attention to <i>important</i> information about the product or about handling the product.
 <b>Tip</b>	This marking indicates application tips or other information that is useful to you.
 <b>Information</b>	This marking draws your attention to information about the product or about handling the product.
<i>Emphasis</i> See ...	Italics are used to emphasize and highlight text and identify references to sections, diagrams, or external documents and files.

### 3 Application

The T40FH torque flange measures static and dynamic torques on stationary and rotating shafts. Test beds can be extremely compact because of the compact design of the transducer. This offers a very wide range of applications.

The T40FH torque flange is reliably protected against electromagnetic interference. It has been tested in accordance with harmonized European standards and/or complies with US and Canadian standards. The CE mark and/or the FCC label are attached to the product.

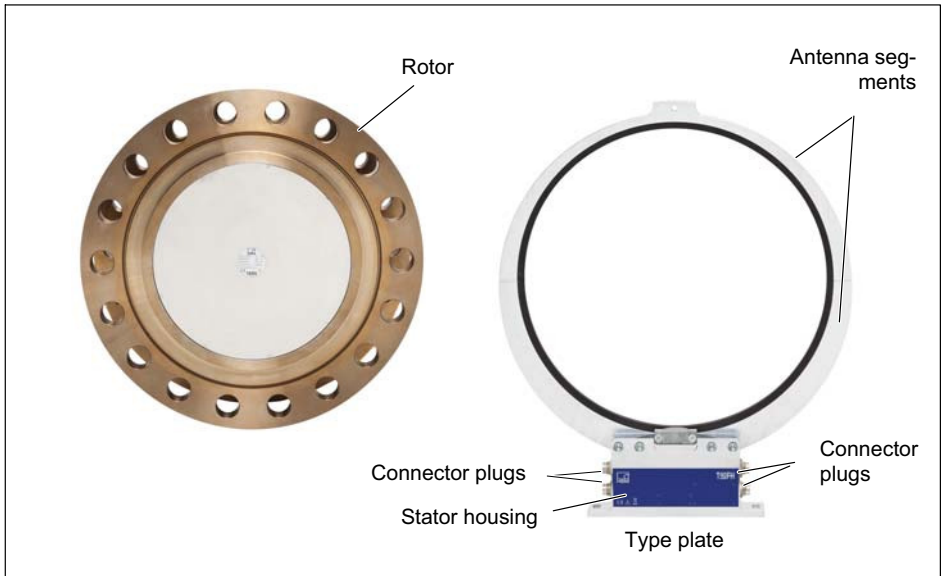
## 4 Structure and mode of operation

The torque flange consist of two separate parts: the rotor and the stator. The rotor comprises the measuring body and the signal transmission elements.

Strain gages (SGs) are installed on the measuring body. The rotor electronics for transmitting the bridge excitation voltage and the measurement signal are located centrally in the flange. The transmitter coils for contactless transmission of excitation voltage and measurement signal are located on the measuring body's outer circumference. The signals are sent and received by a separable antenna ring. The antenna ring is mounted on a housing that includes the electronic system for voltage adaptation and signal conditioning.

Connector plugs for the torque and rotational speed signals, the voltage supply and the digital output are located on the stator. The antenna segments (ring) should be mounted concentrically around the rotor (*see Chapter 5*).





*Fig. 4.1 Mechanical construction*

The rotational speed sensor is mounted on the stator in Option 5 with a rotational speed measuring system. Rotational speed is measured magnetically by a magnetic field dependent resistor and a ring gear attached to the rotor.

## 5 Mechanical installation

### 5.1 Important precautions during installation

#### Notice

*A torque flange is a precision measurement element and therefore needs careful handling. Dropping or knocking the transducer may cause permanent damage. Make sure that the transducer cannot be overloaded, including while it is being mounted.*

---

- Handle the transducer with care.
- Check the effect of bending moments, critical rotational speeds and natural torsional vibrations, to prevent the transducer being overloaded by resonance sharpness.
- Make sure that the transducer cannot be overloaded.



#### WARNING

There is a danger of the transducer breaking if it is overloaded. This can cause danger for the operating personnel of the system in which the transducer is installed.

Implement appropriate safety measures to avoid overloads and to protect against resulting dangers.

---

- Use a threadlocker (medium strength, e.g. LOCTITE) to glue the screws into the counter thread to exclude

prestressing loss due to screw slackening, in the event of alternating loads.

- Comply with the mounting dimensions to enable correct operation.

An appropriate shaft flange enables the T40FH torque flange to be mounted directly. It is also possible to mount a joint shaft or relevant compensating element directly on the rotor (using an intermediate flange when required). Under no circumstances should the permissible limits specified for bending moments, lateral and longitudinal forces be exceeded. Due to the T40FH torque flange's high torsional stiffness, dynamic shaft train changes are kept to a minimum.



### Important

*Even if the unit is installed correctly, the zero point adjustment made at the factory can shift by up to approx. 0.5% of the characteristic value. If this value is exceeded, we advise you to check the mounting conditions. If the residual zero drift when the unit is removed is greater than 1% of the characteristic value, please send the transducer back to the Darmstadt factory for testing.*

## 5.2 Conditions on site

The T40FH torque flange must be protected against coarse dirt particles, dust, oil, solvents and moisture.

There is wide ranging compensation for the effects of temperature on the output and zero signals of the transducer (see Chapter 15 "Specifications"). If there are no static temperature ratios, for example, because of the temperature differences between the measuring body

and the flange, the values given in the specifications can be exceeded. In this case, ensure static temperature ratios by cooling or heating, depending on the application. As an alternative, check if thermal decoupling is possible, e.g. by means of heat radiating elements such as multiple-disc couplings.

### 5.3 Mounting position

The torque flange can be mounted in any position.

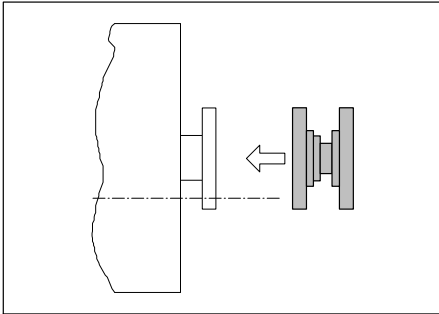
With clockwise torque, the output frequency for Option 5, code DU2 is 60 ... 90 kHz (Option 5, Code SU2: 10 ... 15 kHz; Option HU2: 240 ... 360 kHz). In conjunction with HBM amplifiers or when using the voltage output, a positive output signal (0 V ... +10 V) is present. In the case of the rotational speed measuring system, an arrow is attached to the stator housing to clearly identify the direction of rotation: If the measurement flange moves in the direction of the arrow, connected HBM measuring amplifiers deliver a positive output signal.

With the non-rotating version, there is a positive output signal in mV/V for clockwise torque.

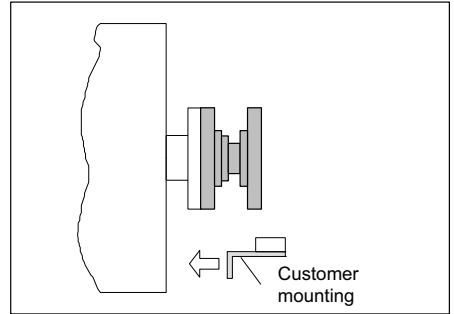
### 5.4 Installation options

As its diameter is less than the flange diameter of the rotor, the antenna ring must be dismantled for mounting. If access to the rotor in its installed state is difficult, we recommend mounting the antenna ring beforehand. It is essential in this case to comply with the notes on assembling the antenna segments (*see Section 5.7*).

### 5.4.1 Installation with antenna ring removed



1 Install the rotor



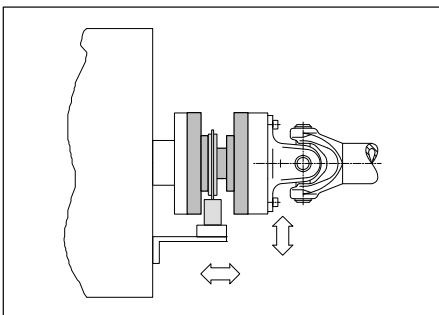
2 Fit the stator mounting



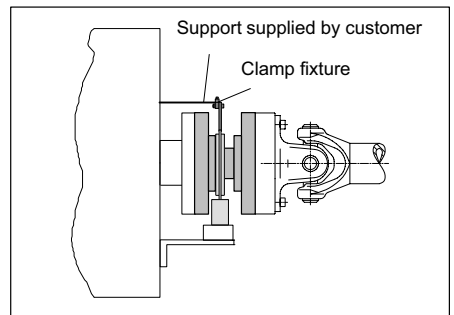
3 Remove one antenna segment



4 Fit the antenna segment around the shaft train



5 Align and fully assemble the stator



6 Fit the clamp fixture

## 5.5 Preparing for the rotor mounting



### CAUTION

The rotor is heavy (as much as 142 kg, depending on the measuring range)! Use a crane or other suitable lifting equipment to lift it out of its packaging and install it. When working with the crane, be sure to meet relevant safety requirements and wear safety boots.

1. Remove the top layer of foam packaging.



Fig. 5.1 T40FH packaging

2. Fasten two equal-length ropes with sufficient load-carrying capacity to the eyebolts (each of the two ropes must be able to bear the full weight of the rotor) and

hoist the rotor out of its packaging with the crane (see Fig. 5.2).



Fig. 5.2 Hoisting the rotor out of its packaging

3. Place the rotor on a clean and stable base.
4. Remove one of the eyebolts.
5. Carefully lift the rotor until it hangs free.
6. Carefully tilt the rotor by lowering it over the flange edge until it rests horizontally on both outer flange surfaces (see Fig. 5.3).

 **CAUTION**

Crush hazard. Keep your hands and feet a safe distance away from the rotor.



*Fig. 5.3 Tilting the rotor*

7. Secure the rotor with wedges to stop it from rolling away.
8. Screw the second eyebolt back into the tapped holes in the outer flange surface.
9. Fasten the rotor to the hook of the crane with two equal-length ropes. The rotor is now prepared for horizontal installation (see *Fig. 5.4*).





Fig. 5.4 Fastening for horizontal installation



## CAUTION

You must remove the eyebolts after mounting! Keep them safe for later use.

## 5.6 Mounting the rotor



### Tip

*Usually the rotor type plate is no longer visible after installation. This is why we include with the rotor additional stickers with the important characteristics, which you can attach to the stator or any other relevant test-bench components. You can then refer to them whenever there is anything you wish to know, such as the shunt signal. To explicitly assign the data, the identification number and the size are engraved on the rotor flange, where they can be seen from outside.*

### Notice

*Make sure during installation that you do not damage the measuring zone marked in Fig. 5.5 by using it to support tools or knocking tools against it when tightening screws, for example. This can damage the transducer and produce measurement errors, or even destroy the transducer.*

1. Prior to installation, clean the plane faces of the transducer flange and the counter flange.

For safe torque transfer, the surfaces must be clean and free from grease. Use a piece of cloth or paper soaked in solvent. When cleaning, make sure that you do not damage the transmitter winding.

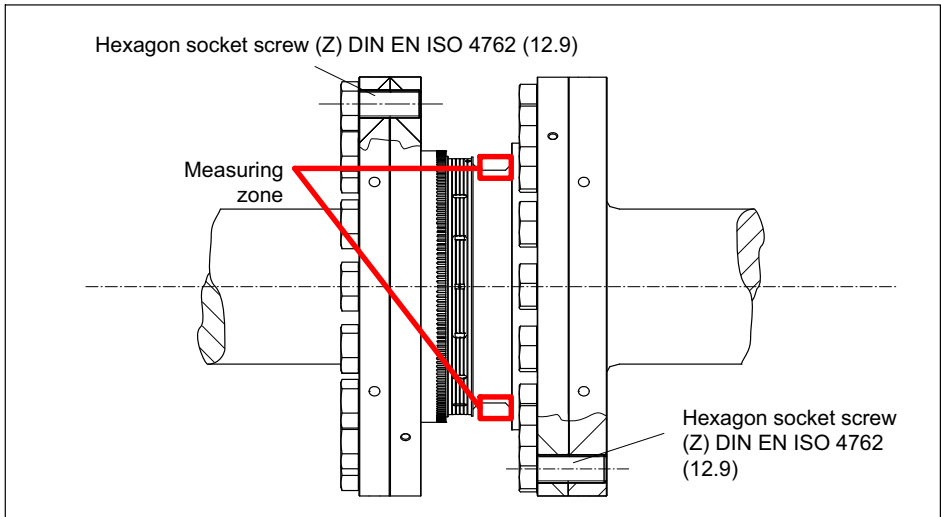


Fig. 5.5 Bolted rotor connection

2. For connection of the flange, (see Fig. 5.5) use DIN EN ISO 4762 property class 12.9 hexagon socket screws of a suitable length (dependent on the connection geometry, see Tab. 5.1 on Page 26).

We recommend DIN EN ISO 4762 socket head cap screws, blackened, smooth-headed, permitted size and shape variance as per DIN ISO 4759, Part 1, product class A.

3. Fasten all screws with the specified torque (Tab. 5.1 on Page 26).
4. Now remove the ring bolts and mounting ring(s).



### Important

*Keep them in a safe place for future dismounting.*



**Important**

Use a threadlocker (medium strength, e.g. LOCTITE) to glue the screws into the counter thread to exclude pre-stressing loss due to screw slackening, in the event of alternating loads.

**Notice**

Comply with the maximum thread reach as per Tab. 5.1, Page 26. Otherwise significant measurement errors may result from a torque shunt, or the transducer may be damaged.

Measurement range	Fastening screws		Number of screws per flange	Prescribed tightening moment
	Z <sup>1)</sup>	Property class		N·m
100 150 150	M30	12.9	16	2450
200 250 300	M36		18	4250

<sup>1)</sup> DIN EN ISO 4762; black/oiled/ $\mu_{tot}=0.125$

Tab. 5.1 Fastening screws



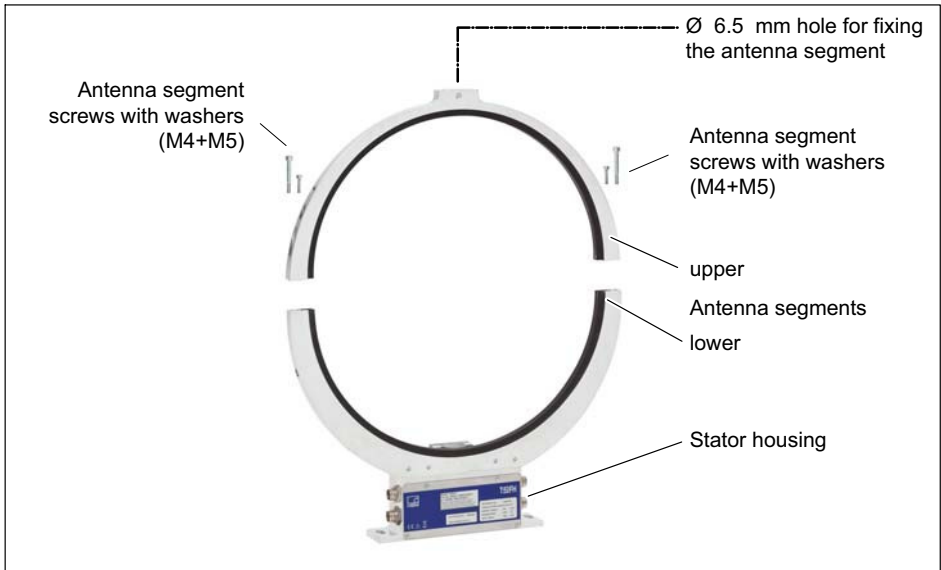
### **Important**

*Dry screw connections can result in different and higher friction factors (see VDI 2230, for example). This means a change to the required tightening torques.*

*The required tightening torques can also change if you use screws with a surface or property class other than that specified in Tab. 5.1, as this affects the coefficient of friction.*

## **5.7 Installing the stator**

On delivery, the stator has already been installed and is ready for operation. The upper antenna segment can be separated from the stator, for example, for maintenance or to facilitate stator installation.



*Fig. 5.6 Bolted connection of the antenna segments on the stator*

1. Undo and remove both the bolted connections (M4+M5) on the upper antenna segment.

There are fan-type lock washers (M4+M5) between the antenna segments: make sure that they do not get lost.

2. Use an appropriate mounting base to install the stator housing in the shaft train, so that there is sufficient opportunity for horizontal and vertical adjustments. Do not fully tighten the screws yet.
3. Now use four hexagon socket screws to mount the upper antenna segment removed in Point 1 on the lower antenna segment.

Make sure that the fan-type lock washers are inserted between the antenna segments (these ensure that there is a defined contact resistance)!



### Important

*To guarantee that they function perfectly, the fan-type lock washers (A5, 3-FST DIN 6798 ZN/galvanized) must be replaced after the bolted antenna connection has been loosened three times.*

4. Now tighten all the bolted antenna segment connections with a tightening torque of 5 N·m.
5. Then align the antenna to the rotor in such a way that the antenna encloses the rotor more or less coaxially and the antenna wire in the axial direction has the same position as the center of the transmitter winding on the rotor.

To make alignment easier, the outer edge of the stator antenna segment and the outer edge of the stator winding carrier should be on the same line (in alignment). Conform to the permissible alignment tolerances stated in the specifications.

6. Now fully tighten the bolted stator housing connection.

### Prevention of axial stator oscillation

Depending on the operating conditions, stator oscillation may be induced. This effect is dependent on:

- the rotational speed,
- the antenna diameter (depends in turn on the measuring range),
- the construction of the machine base.



**Important**

*To avoid axial oscillation, a clamp fixture is enclosed with the torque transducer to enable the antenna ring to be supported. There is a hole, 6.5 mm in diameter, on the upper antenna segment to receive the clamping device (see Fig. 5.7).*

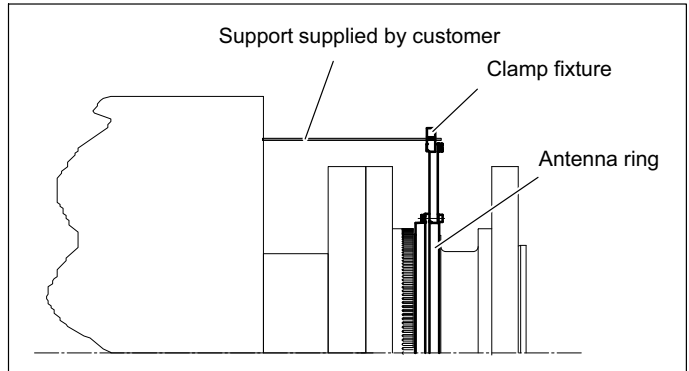
*The cable plug (not included in the scope of supply) also requires support in this case; a construction example is shown in Fig. 5.9.*



*Fig. 5.7 Construction example for supporting the antenna ring*



7. Fasten the clamp fixture with the enclosed bolted connection, as shown in *Fig. 5.8*. Clamp a suitable support element (we recommend a  $\text{\O} 3\text{-}6$  mm threaded rod) between the upper and lower parts of the clamp fixture and tighten the clamping screws.



*Fig. 5.8 Supporting the antenna ring*



*Fig. 5.9 Construction example for plug clamps (for two plugs)*

## 5.8 Rotational speed measuring system

The rotor is delivered as standard with a ring gear for the rotational speed measuring system. The option is available to fit the stator with a sensor head to scan the mechanical increments (ring gear).

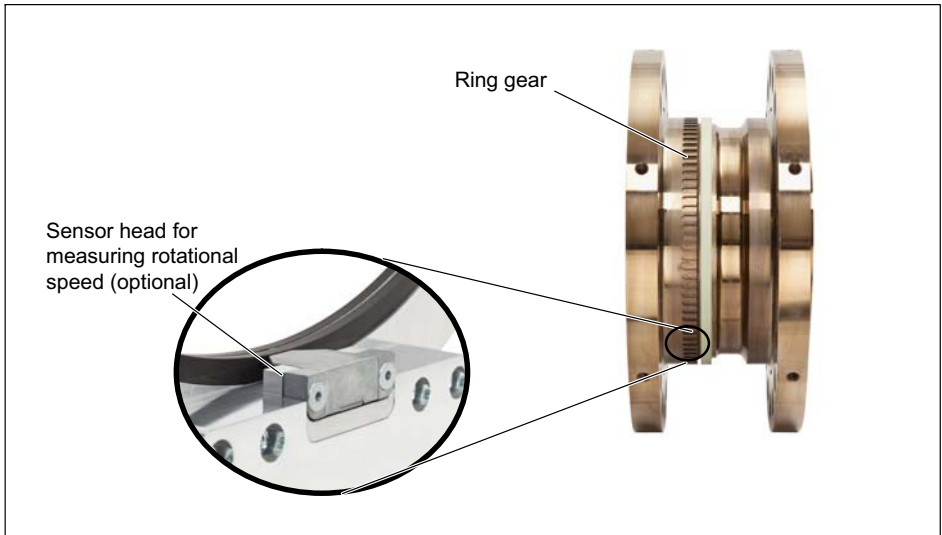


Fig. 5.10 Torque transducer with rotational speed measurement (optional)



### Important

*The rotational speed measuring system uses a magnetic measuring principle. In applications where high magnetic field strengths can occur, e.g. eddy-current brakes, implement suitable measures to ensure that the maximum permissible magnetic field strength cannot be exceeded (see Chapter 15 "Specifications", Page 64).*

### **Stator alignment (rotational speed measuring system)**

For measuring mode to operate perfectly, the speed sensor must be placed at a defined position to the rotor ring gear. When the radial and axial alignment of the stator is accurate for torque measurement, the alignment of the rotational speed measuring system is also correct.

Axial alignment:

At the factory, the sensor head of the rotational speed measuring system must be adjusted so that when the axial alignment of the stator is exact (antenna ring positioned precisely above the rotor winding carrier), the sensor is in the correct position to the rotor ring gear.

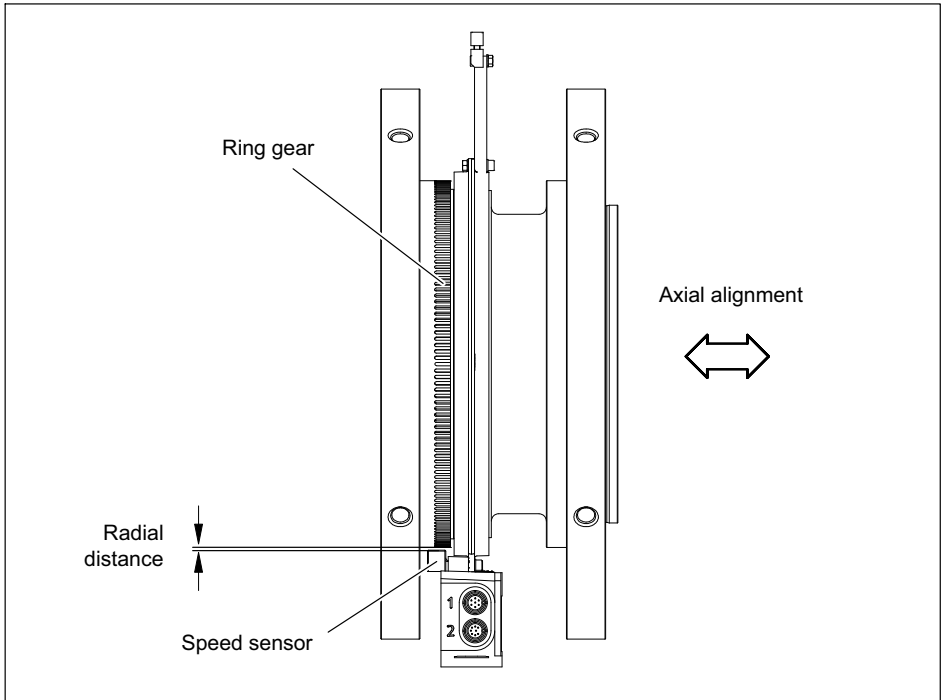


Fig. 5.11 Side view

**Radial alignment:**

The rotor axis and the axis of the speed sensor must be along a line at right angles to the stator platform. The nominal radial distance is crucial for radial alignment (see Fig. 5.11). The optimum distance is 2.5 mm and is achieved when the rotor and the stator are in precise radial alignment.

## 6 Electrical connection

### 6.1 General information

- With extension cables, make sure that there is a proper connection with minimum contact resistance and good insulation.
- All plug connections or swivel nuts must be fully tightened.



#### Important

*Transducer connection cables from HBM with attached connectors are marked in accordance with their intended purpose (Md or n). When cables are shortened, inserted into cable ducts or installed in control cabinets, this marking can be lost or hidden. So the cables must be marked beforehand, just in case.*

### 6.2 EMC protection



#### Important

*Transducers are EMC-tested in accordance with EC directives and identified by CE certification. However, you must connect the shield of the connection cable on the shielding electronics enclosure in order to achieve EMC protection for the measuring chain.*

Special electronic coding methods are used to protect the purely digital signal transmission between the transmitter head and the rotor from electromagnetic interference.

The cable shield is connected with the transducer housing. This encloses the measurement system (without the rotor) in a Faraday cage when the shield is laid flat at both ends of the cable. With other connection techniques, an EMC-proof shield should be applied in the wire area and this shielding should also be laid flat (*also see HBM Greenline Information, brochure i1577*).

Electrical and magnetic fields often induce interference voltages in the measuring circuit. Therefore:

- Use shielded, low-capacitance measurement cables only (HBM cables fulfill both conditions).
- Only use plugs that meet EMC guidelines.
- Do not route the measurement cables parallel to power lines and control circuits. If this is not possible, protect the measurement cable with a steel conduit, for example.
- Avoid stray fields from transformers, motors and contact switches.
- Do not ground the transducer, amplifier and indicator more than once.
- Connect all the devices in the measuring chain to the same protective conductor.
- In the case of interference due to potential differences (compensating currents), supply voltage zero and housing ground must be disconnected on the amplifier and a potential equalization line established between the stator housing and the amplifier housing (copper conductor, minimum 10 mm<sup>2</sup> wire cross-section).

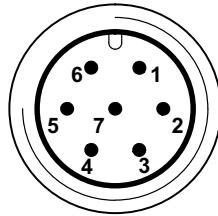
- Should differences in potential occur between the machine rotor and stator because of unchecked leakage, for example, this can usually be overcome by connecting the rotor definitively to ground, e.g. with a wire loop. The stator must be connected to the same (ground) potential.

### **6.3 Connector pin assignment Option 4, Code SU2, DU2, HU2**

The stator housing has two 7-pin connectors, an 8-pin connector and a 16-pin connector.




The supply voltage and shunt signal connections of connectors 1 and 3 are each electrically interconnected, but are protected against compensating currents by diodes. There is also a self-resetting fuse (multifuse) to protect the supply voltage connections against overload by the stator.

### Assignment for connector 1 - supply voltage and frequency output signal



Device plug

Top view

		KAB153	KAB149	KAB178 <sup>1)</sup>
Con- nector pin	Assignment	Color code	D-SUB connec- tor pin	HD-SUB connector pin
1	Torque measurement signal (frequency output; 5 V <sup>2,3)</sup>	wh	13	5
2	Supply voltage 0 V 	bk	5	-
3	Supply voltage 18 V ... 30 V	bu	6	-
4	Torque measurement signal (frequency output; 5 V <sup>2,3)</sup>	rd	12	10
5	Measurement signal 0 V; symmet- rical 	gy	8	6
6	Shunt signal trigger 5 V ... 30 V	gn	14	15
7	Shunt signal 0 V 	gy	8	
	Shield connected to housing ground			

- 1) Bridge between 4 + 9
- 2) RS-422 complementary signals; with cable lengths exceeding 10 m, we recommend using a termination resistor R = 120 ohms between the (wh) and (rd) wires.
- 3) RS-422: Pin 1 corresponds to A, Pin 4 corresponds to B.



## Notice

*Torque flanges are only intended for operation with a DC supply voltage. They must not be connected to older HBM amplifiers with square-wave excitation. This could destroy the connection board resistors or cause other faults in the amplifiers.*

### Assignment for connector 2 - rotational speed measuring system



		KAB154	KAB150	KAB179 <sup>1)</sup>
Connector pin	Assignment	Color code	D-SUB connector pin	HD-SUB connector pin
1	Speed measurement signal <sup>2)</sup> (pulse string, 5 V; 0°)	rd	12	10
2	Not in use	bu	-	-
3	Speed measurement signal <sup>2)</sup> (pulse string, 5 V; 90° phase shifted)	gy	15	8
4	Not in use	bk	-	-
5	Not in use	vt	-	-
6	Speed measurement signal <sup>2)</sup> (pulse string, 5 V; 0°)	wh	13	5

Connector pin	Assignment	Color code	D-SUB connector pin	HD-SUB connector pin
7	Speed measurement signal <sup>2</sup> (pulse string, 5 V; 90° phase shifted)	gn	14	7
8	Supply voltage zero	bk/bu <sup>3)</sup>	8	6
	Shield connected to housing ground			

- 1) Bridge between 4 + 9
- 2) RS-422 complementary signals; with cable lengths exceeding 10 m, we recommend using a termination resistor of R = 120 ohms.
- 3) For KAB163 / KAB164 color code brown (bn)

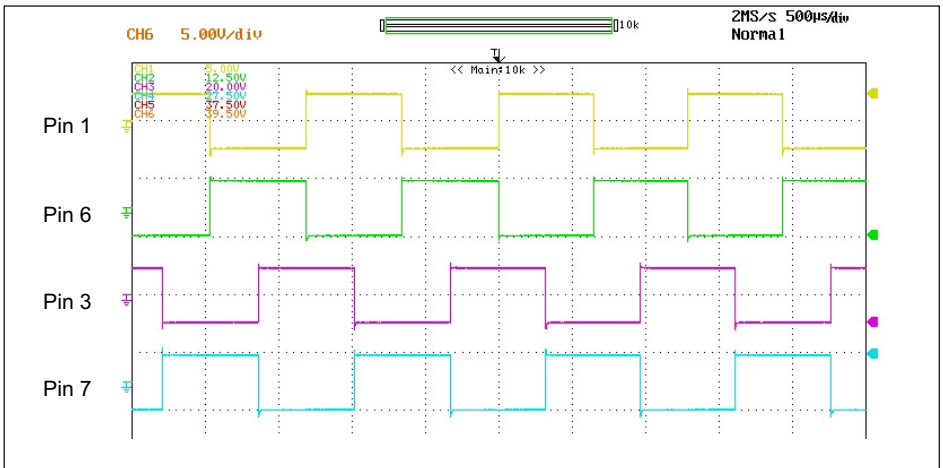


Fig. 6.1 Speed signals at connector 2 (rotational speed in the direction of the arrow)

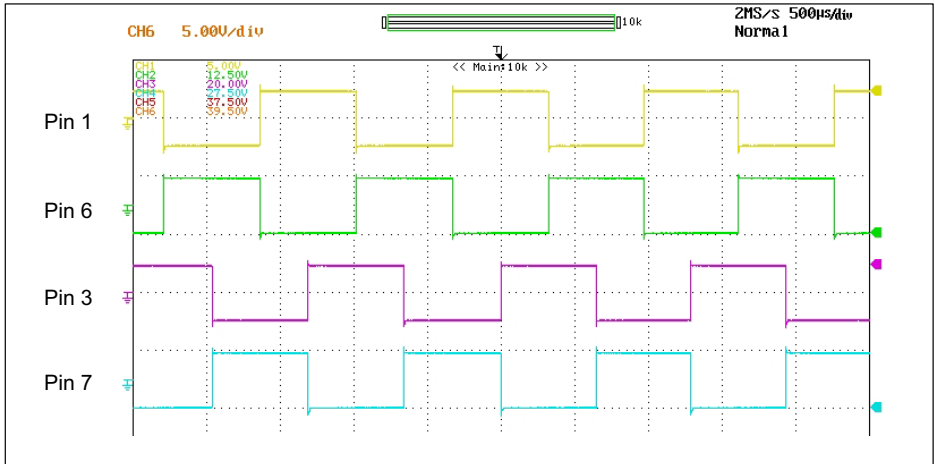


Fig. 6.2 Speed signals at connector 2 (rotational speed against the direction of the arrow)

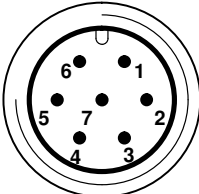
### Assignment for connector 3 - supply voltage and frequency output signal

Device plug	Connector pin	Assignment	Color code
<p>Top view</p>	1	Torque measurement signal (voltage output; $\pm 10$ V)	wh
	2	Supply voltage 0 V;	bk
	3	Supply voltage 18 V ... 30 V	bu
	4	Torque measurement signal (voltage output; $\pm 10$ V)	rd
	5	Not in use	gy
	6	Shunt signal trigger 5 V ... 30 V	gn
	7	Shunt signal 0 V;	gy
			Shield connected to housing ground

### Assignment for connector 4

TMC - only for connection to the Torque Interface Modules of the TIM family within HBM.

## 6.4 Connector pin assignment Option 3, Code PNJ


	Connector pin	Assignment	Color code
<p><b>Binder 723</b></p>  <p><b>Top view</b></p>	1	Measurement signal (+) UA	wh
	2	Bridge excitation voltage (-) UB and TEDS	bk
	3	Bridge excitation voltage (+) UB	bu
	4	Measurement signal (-) UA	rd
	5	Not in use	-
	6	Sense lead (+)	gn
	7	Sense lead (-) and TEDS	gy
		Shield connected to housing ground	

## 6.5 Supply voltage (SU2, DU2, HU2)

The transducer must be operated with a safety extra-low voltage (nominal (rated) supply voltage 18 ... 30 V<sub>DC</sub>). You can supply one or more torque flanges within a test bench. Should the device be operated on a DC voltage network<sup>1)</sup>, additional precautions must be taken to discharge excess voltages.

<sup>1)</sup> Distribution system for electrical energy with greater physical expansion (over several test benches, for example) that may possibly also supply consumers with high nominal (rated) currents.

The information in this Chapter relates to the standalone operation of the T40FH without HBM system solutions.

The supply voltage is electrically isolated from the signal outputs and shunt signal inputs. Connect a safety extra-low voltage of 18 V ... 30 V to pin 3 (+) and pin 2 () of connectors 1 or 3. We recommend that you use HBM cable KAB 8/00 -2/2/2 and appropriate sockets (see *accessories, Page 62*). The cable can be up to 50 m long for voltages  $\geq 24$  V, otherwise it can be up to 20 m long.

If the permissible cable length is exceeded, you can feed the supply voltage in parallel over two connection cables (connectors 1 and 3). This enables you to double the permissible length. Alternatively, install an on-site power supply.



### Important

*The instant you switch on, a current of up to 4 A may flow and this can switch off power packs with electronic current limiters.*

## 6.6 Supply voltage (Option 3, Code PNJ)

A pre-wired 6-wire transducer connection cable with free ends is available as an accessory.

Extension cables should be shielded and low capacitance. HBM provides specific cables for this purpose, the 1-KAB0304A-10 (pre-wired) and the KAB8/00-2/2/2 (by the meter).

The pin assignment can be found in the table in section 6.4.

For the pin assignments at the amplifier end, please refer to the relevant amplifier documentation.

## 7 TEDS transducer identification (Option 3, Code PNJ)

TEDS stands for "Transducer Electronic Data Sheet". An electronic data sheet can be stored in the transducer as defined in the IEEE1451.4 standard, making it possible for the amplifier to be set up automatically. A suitably equipped amplifier reads out the transducer characteristics (electronic data sheet), translates them into its own settings and measurement can then start.

The digital identification system is available at plug connection PIN 7 to PIN 2. The HBM TEDS Editor is used to store the data. This is a component of the HBM "MGCplus Setup Assistant" software. You can use the Editor to manage different user rights, thus protecting the essential transducer data from being overwritten by mistake.

### 7.1 Hierarchy of user rights

#### 7.1.1 Standard rights (USR level)

This level concerns rights which the user of the transducer needs in order to change the entries which depend on the conditions of use.

#### 7.1.2 Calibration rights (CAL level)

This level concerns rights which are needed by a calibration laboratory, for instance, if the sensitivity in the TEDS memory needs to be changed.

### 7.1.3 Administrator rights (ID level)

Administrator rights in relation to TEDS are intended for the sensor manufacturer.

Different user rights are needed in order to amend the various entries in the templates, and these rights may differ from one entry to the next within a template.

## 7.2 Contents of the TEDS memory as defined in IEEE 1451.4

The information in the TEDS memory is organized into areas, which are prestructured to store defined groups of data in table form.

Only the entered values are stored in the TEDS memory itself. The amplifier firmware assigns the interpretation of the respective numerical values. This places a very low demand on the TEDS memory. The memory content is divided into three areas:

### Area 1

An internationally unique TEDS identification number (cannot be changed).

### Area 2

The base area (basic TEDS), to the configuration defined in standard IEEE 1451.4. The transducer type, the manufacturer and the transducer serial number are contained here.

Example:

TEDS content with the identity number for the T40FH/150 kN · m sensor with serial no. 123456, made in November 2005

TEDS transducer identification	
Manufacturer	HBM
Model	T40FH
Version letter	
Version number	
Serial number	123456

### Area 3

Data specified by the manufacturer and the user are contained in this area.

For the T40FH torque flange, HBM has already described the *Bridge Sensor* and *Channel name* templates.

Additional templates, such as the *Signal Conditioning* template, can also be described by the user.

Template: Bridge Sensor				
Parameter	Value <sup>1)</sup>	Unit	Required user rights	Explanation
Transducer Electrical Signal Type	Bridge Sensor		ID	
Minimum Torque	0.000	N · m	CAL	The physical measurand and unit are defined when the template is created, after which they cannot be changed.
Maximum Torque	150000	N · m	CAL	



<b>Template: Bridge Sensor</b>				
<b>Parameter</b>	<b>Value<sup>1)</sup></b>	<b>Unit</b>	<b>Required user rights</b>	<b>Explanation</b>
Minimum Electrical Value	0.0000m	V/V	CAL	The difference between these values is the sensitivity according to the HBM manufacturing certificate or from the calibration.
Maximum Electrical Value	1.8245m	V/V	CAL	
Mapping Method	Linear			This entry cannot be changed
Bridge type	Full		ID	The bridge type. "Full" for a full bridge.
Impedance of each bridge element	1550+-100	ohm	ID	Input resistance according to the HBM data sheet
Response time	1.0000000u	s	ID	Of no significance to HBM transducers
Excitation Level (Nominal)	5.0	V	ID	Nominal (rated) excitation voltage according to the HBM data sheet
Excitation Level (Minimum)	2.5	V	ID	Lower limit for the operating range of the excitation voltage according to the HBM data sheet.
Excitation Level (Maximum)	12.0	V	ID	Upper limit for the operating range of the excitation voltage according to the HBM data sheet.

<b>Template: Bridge Sensor</b>				
<b>Parameter</b>	<b>Value<sup>1)</sup></b>	<b>Unit</b>	<b>Required user rights</b>	<b>Explanation</b>
Calibration Date	1-Nov-2005	CAL		Date of the last calibration or creation of the test certificate (if no calibration carried out), or of the storage of the TEDS data (if only nominal (rated) values from the data sheet were used).  Format: day-month-year.  Abbreviations for the months: Jan, Feb, Mar, Apr, May, Jun, Jul, Aug, Sep, Oct, Nov, Dec.
Calibration Initials	HBM		CAL	Initials of the calibrator or calibration laboratory concerned.
Calibration Period (Days)	730	days	CAL	Time before recalibration, calculated from the date specified under Calibration Date.
Measurement location ID	0		USR	Identification number for the measuring point.  Can be assigned according to the application. Possible values: a number from 0 to 2047. If this is not enough, the HBM Channel Comment template can also be used for this purpose.

<sup>1)</sup> Typical values for an HBM T40FH/150 kN·m torque flange

<b>Template: HBM Channel Name</b>	
Channel name	T40FH/150 kNm

When creating the *Bridge Sensor* template, the manufacturer defines the physical measured quantity and the physical unit.

The available unit for the particular measured quantity is specified in the IEEE Standard. For the measured quantity of torque, the unit is "N · m".

At the time of creating the template it is also necessary to choose between the options "Full Precision", "mV/V" and "uV/V" for the accuracy of the characteristic transducer curve mapped in TEDS.

The factory setting is "Full Precision", in order to be able to use full digital resolution. This choice is also recommended to users who program the TEDS memory themselves.

## 8 Shunt signal


The T40FH torque flange delivers an electrical shunt signal that can be activated from the amplifier for measuring chains with HBM components. The transducer generates a shunt signal of about 50% of the nominal (rated) torque; the precise value is specified on the type plate. After activation, adjust the amplifier output signal to the shunt signal supplied by the connected transducer, to adapt the amplifier to the transducer.



### Information

*The transducer should not be under load when the shunt signal is being measured, as the shunt signal is mixed additively.*

### Triggering the shunt signal

Applying a safety extra-low voltage of 5 ... 30 V to pins 6 (+) and 7 () at connector 1 or 3, triggers the shunt signal.

The nominal (rated) voltage for triggering the shunt signal is 5 V (triggering at  $U > 2.5$  V), but when voltages are less than 0.7 V, the transducer is in measuring mode. The maximum permissible voltage is 30V, current consumption at nominal (rated) voltage is approx. 2 mA and at maximum voltage, approx. 18 mA. The trigger voltage for the shunt signal is electrically isolated from the supply voltage and the measuring voltage.



### Tip

*The shunt signal can be triggered by the amplifier or via the operating software in HBM system solutions.*

## 9 Functionality testing

You can check the functionality of the rotor and the stator from the LEDs on the stator.

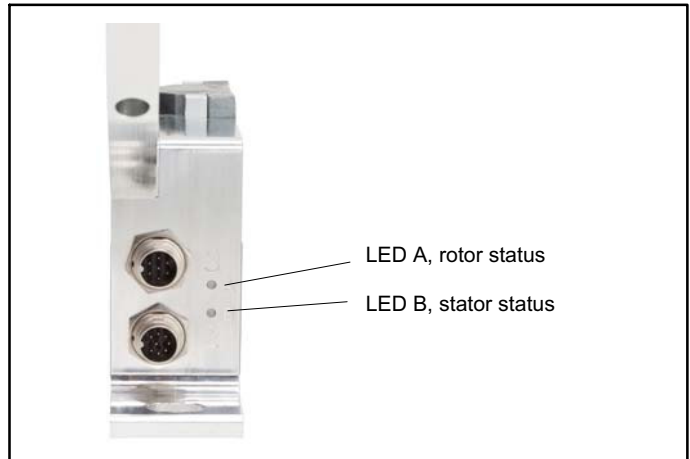


Fig. 9.1 LEDs on the stator housing



### Important

*Once the supply voltage is applied, the torque transducer needs up to a further 4 seconds to be ready for operation.*

## 9.1 Rotor status, LED A (upper LED)

Color	Significance
Green (pulsating)	Internal rotor voltage values o.k.
Flashing orange	Rotor and stator mismatched (an increasing flashing frequency indicates the degree of misalignment) => Correct the rotor/stator alignment.
Pulsating orange	Rotor status cannot be defined => Correct the rotor/stator alignment.  If the LED still pulsates orange, it is possible that there is a hardware defect. The measurement signals reflect the level of the fault.
Red (pulsating)	Rotor voltage values not o.k. => Correct the rotor/stator alignment.  If the LED still pulsates red, it is possible that there is a hardware defect. The measurement signals reflect the level of the fault.

Pulsating means that the LED goes dark for about 20 ms every second (sign of life), making it possible to detect that the transducer is functioning.

## 9.2 Stator status, LED B (lower LED)

Color	Significance
Green (permanently lit)	Measurement signal transmission and internal stator voltages o.k.
Green, intermittently orange.  Numerous synchronization errors: permanently orange	Orange if $\geq 5$ measured values in succession are transmitted incorrectly, until the end of incorrect transmission. The measurement signals reflect the level of the fault for the duration of the transmission error + for approx. another 3.3 ms.

Color	Significance
Orange (permanently lit)	Permanently disrupted transmission, the measurement signals reflect the level of the fault. ( $f_{out} = 0$ Hz, $U_{out} =$ defect level).  => Correct the rotor/stator alignment.
Red (permanently lit)	Internal stator defect, the measurement signals reflect the level of the fault ( $f_{out} = 0$ Hz, $U_{out} =$ defect level).

## 10 Load-carrying capacity

Nominal (rated) torque can be exceeded statically up to the torque limit. If the nominal torque is exceeded, additional irregular loading is not permissible. This includes longitudinal forces, lateral forces and bending moments. Limit values can be found in *Chapter "" on Page 64*.

### Measuring dynamic torque

The torque flange can be used to measure static and dynamic torques. The following apply to the measurement of dynamic torque:

- The T40FH calibration performed for static measurements is also valid for dynamic torque measurements.
- The natural frequency  $f_0$  of the mechanical measuring arrangement depends on the moments of inertia  $J_1$  and  $J_2$  of the connected rotating masses and the torsional stiffness of the T40FH.

Use the equation below to approximately determine the natural frequency  $f_0$  of the mechanical measuring arrangement:

$$f_0 = \frac{1}{2\pi} \cdot \sqrt{c_T \cdot \left( \frac{1}{J_1} + \frac{1}{J_2} \right)}$$

$f_0$	=	natural frequency in Hz
$J_1, J_2$	=	mass moment of inertia in kg·m <sup>2</sup>
$c_T$	=	torsional stiffness in N·m/rad

- The permissible mechanical vibration bandwidth (peak-to-peak) can also be found in the specifications.



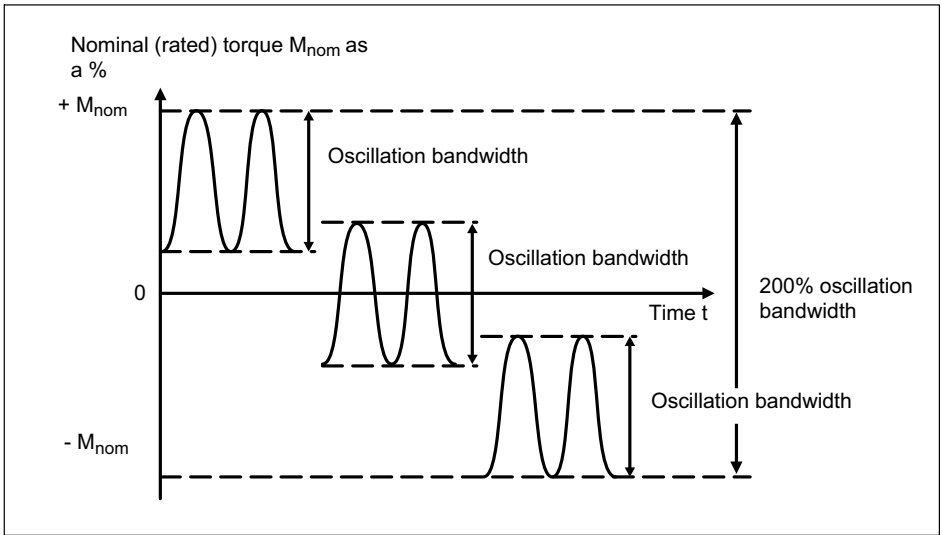


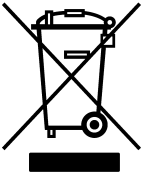
Fig. 10.1 Permissible dynamic loading

## 11 Maintenance

T40FH torque flanges are maintenance free.

## 12 Waste disposal and environmental protection

All electrical and electronic products must be disposed of as hazardous waste. The correct disposal of old equipment prevents ecological damage and health hazards.



### Statutory waste disposal mark

The electrical and electronic devices that bear this symbol are subject to the European waste electrical and electronic equipment directive 2002/96/EC. The symbol indicates that, in accordance with national and local environmental protection and material recovery and recycling regulations, old devices that can no longer be used must be disposed of separately and not with normal household garbage.

As waste disposal regulations may differ from country to country, we ask that you contact your supplier to determine what type of disposal or recycling is legally applicable in your country.

### Packaging

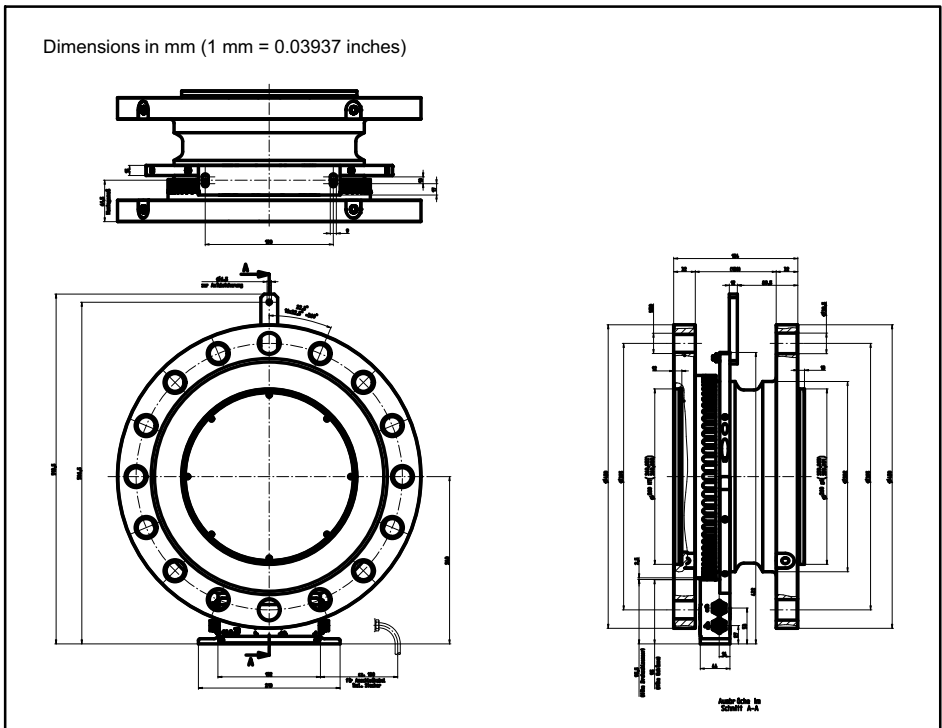
The original packaging of HBM devices is made from recyclable material and can be sent for recycling. Store the packaging for at least the duration of the warranty. In the case of complaints, the torque flange must be returned in the original packaging.

For ecological reasons, empty packaging should not be returned to us.

## 13 Dimensions

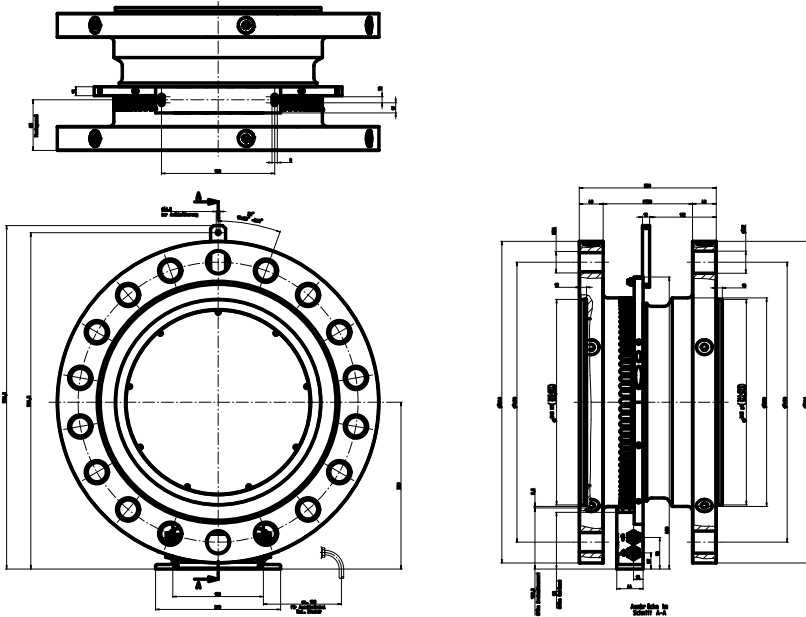
### 13.1 T40FH torque transducer with rotational speed measuring system, Option 4, Code SU2, DU2, HU2

#### 13.1.1 T40FH 100 kNm - 150 kNm



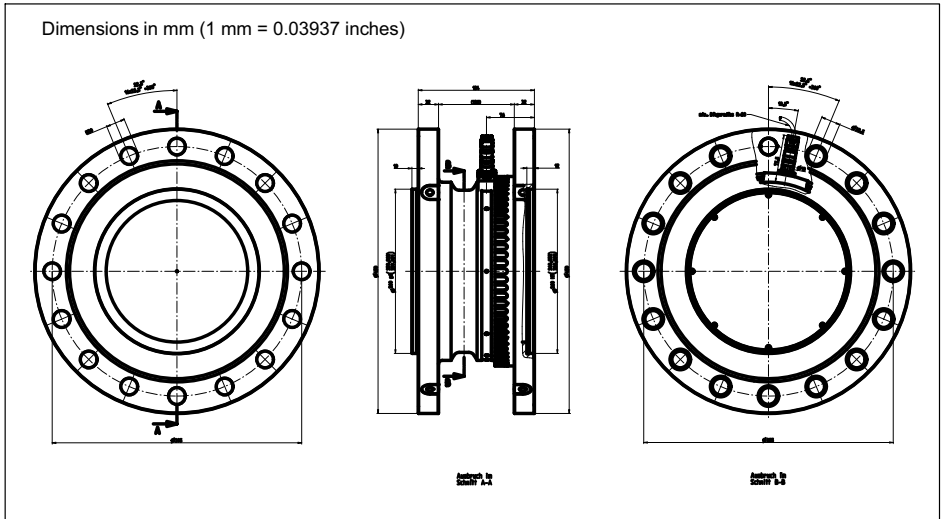
### 13.1.2 T40FH 200 kNm - 300 kNm

Dimensions in mm (1 mm = 0.03937 inches)



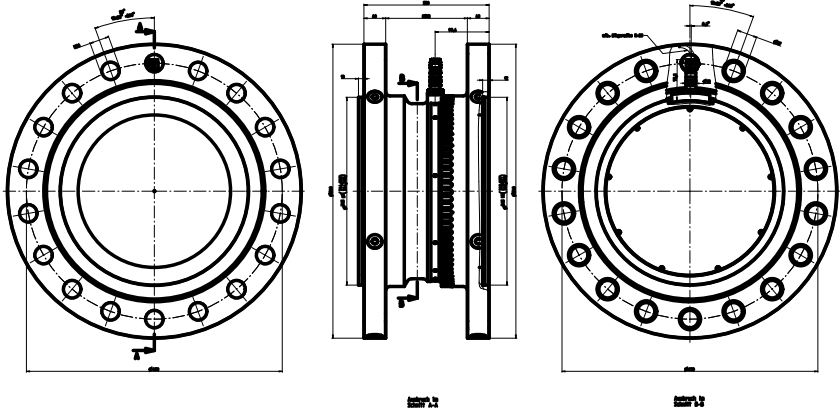
### 13.2 T40FH torque transducer (non-rotating), Option 4, Code PNJ

#### 13.2.1 T40FH 100 kNm - 150 kNm



### 13.2.2 T40FH 200 kNm - 300 kNm

Dimensions in mm (1 mm = 0.03937 inches)



# 14 Ordering numbers, accessories

Ordering number	
<b>K-T40FH</b>	[only with Option 2 = MF/ST]
Code	Option 1: Measuring range to
<b>100R</b>	100 kN·m [only with Option 2 = MF/RO]
<b>130R</b>	130 kN·m [only with Option 2 = MF/RO]
<b>150R</b>	150 kN·m [only with Option 2 = MF/RO]
<b>200R</b>	200 kN·m [only with Option 2 = MF/RO]
<b>250R</b>	250 kN·m [only with Option 2 = MF/RO]
<b>300R</b>	300 kN·m [only with Option 2 = MF/RO]
Code	Option 2: Components
<b>MF</b>	Complete measurement flange
<b>RO</b>	Rotor
<b>ST</b>	Stator
<b>N</b>	Not rotating
Code	Option 3: Accuracy
<b>S</b>	Standard (linearity deviation including hysteresis $\leq \pm 0.1\%$ )
Code	Option 4: Electrical configuration [only with Option 2 = MF/ST]
<b>SU2</b>	Out. sign. 10 kHz $\pm 5$ kHz and $\pm 10$ V, Supp. volt. 18...30 V DC
<b>DU2</b>	Out. sign. 60 kHz $\pm 30$ kHz and $\pm 10$ V, Supp. volt. 18...30 V DC
<b>HU2</b>	Out. sign. 240 kHz $\pm 120$ kHz and $\pm 10$ V, Supp. volt. 18...30 V DC
<b>PNJ</b>	mV/V
Code	Option 5: Rotational speed measuring system
<b>0</b>	Without rotational speed measuring system
<b>1</b>	Magnetic rotational speed measuring system
Code	Option 6: Customized modification
<b>S</b>	No customer modification

= PREFERRED TYPES

K-T40FH - 1 0 0 R - M F - S - D U 2 - 0 - S



**Accessories, to be ordered separately**

Article	Ordering number
<b>Connection cable for torque output</b>	
Torque connection cable, 423 - D-Sub 15P, 6 m	1-KAB149-6
Torque connection cable, 423 - free ends, 6 m	1-KAB153-6
<b>Connection cable for rotational speed output</b>	
Rotational speed connection cable, 423 - D-Sub 15P, 6 m	1-KAB150-6
Rotational speed connection cable, 423 - free ends, 6 m	1-KAB154-6
Rotational speed with reference signal connection cable, 423 8-pin - D-Sub 15P, 6 m	1-KAB163-6
Rotational speed with reference signal connection cable, 423 8-pin - free ends, 6 m	1-KAB164-6
<b>TMC connection cable</b>	
TIM40/TMC connection cable, 6 m	1-KAB174-6
<b>Cable sockets</b>	
423G-7S, 7-pin (straight)	3-3101.0247
423W-7S, 7-pin (angle)	3-3312.0281
423G-8S, 8-pin (straight)	3-3312.0120
423W-8S, 8-pin (angle)	3-3312.0282
<b>Connection cable, by the meter (min. order quantity: 10 m, price per meter)</b>	
Kab8/00-2/2/2	4-3301.0071

## 15 Specifications

<b>Accuracy class</b>	0.1						
<b>Torque measuring system (rotating)</b>							
<b>Nominal (rated) torque <math>M_{nom}</math></b>	<b>kNm</b>	<b>100</b>	<b>125</b>	<b>150</b>	<b>200</b>	<b>250</b>	<b>300</b>
<b>Nominal (rated) rotational speed</b>	<b>rpm</b>	3000			2000		
<b>Linearity deviation including hysteresis,</b> related to nominal (rated) sensitivity  Frequency output For a max. torque in the range: between 0% of $M_{nom}$ and 20% of $M_{nom}$ > 20% of $M_{nom}$ and 60% of $M_{nom}$ > 60% of $M_{nom}$ and 100% of $M_{nom}$  Voltage output For a max. torque in the range: between 0% of $M_{nom}$ and 20% of $M_{nom}$ > 20% of $M_{nom}$ and 60% of $M_{nom}$ > 60% of $M_{nom}$ and 100% of $M_{nom}$	%						$\leq \pm 0.03$ $\leq \pm 0.065$ $\leq \pm 0.1$  $\leq \pm 0.03$ $\leq \pm 0.065$ $\leq \pm 0.1$
<b>Rel. standard deviation of repeatability,</b> per DIN 1319, related to the variation of the output signal  Frequency output Voltage output	%						$\leq \pm 0.02$ $\leq \pm 0.02$
<b>Temperature effect per 10 K in the nominal (rated) temperature range</b>  on the output signal, related to the actual value of the signal span  Frequency output	%						$\leq \pm 0.1$

<b>Nominal (rated) torque <math>M_{nom}</math></b>	<b>kNm</b>	<b>100</b>	<b>125</b>	<b>150</b>	<b>200</b>	<b>250</b>	<b>300</b>
Voltage output on the zero signal, related to nominal (rated) sensitivity	%	$\leq \pm 0.1$					
Frequency output	%	$\leq \pm 0.07$					
Voltage output	%	$\leq \pm 0.07$					
<b>Nominal (rated) sensitivity</b> (spread between torque = zero and nominal (rated) torque)							
Frequency output 10 kHz / 60 kHz / 240 kHz	kHz	5/30/120					
Voltage output	V	10					
<b>Sensitivity tolerance</b> (deviation of the actual output quantity at $M_{nom}$ from the nominal (rated) sen- sitivity)							
Frequency output	%	$\pm 0.1$					
Voltage output	%	$\pm 0.1$					
<b>Output signal at torque = zero</b>							
Frequency output	kHz	10/60/240					
Voltage output	V	0					
<b>Nominal (rated) output signal</b>							
Frequency output							
at positive nominal (rated) torque	kHz	15 <sup>1)</sup> / 90 <sup>2)</sup> / 360 <sup>3)</sup> (5 V balanced <sup>4)</sup> )					
at negative nominal (rated) torque	kHz	5 <sup>1)</sup> / 30 <sup>2)</sup> / 120 <sup>3)</sup> (5 V balanced <sup>4)</sup> )					
Voltage output							
at positive nominal (rated) torque	V	+10					
at negative nominal (rated) torque	V	-10					

Nominal (rated) torque $M_{nom}$	kNm	100	125	150	200	250	300
<b>Load resistance</b>							
Frequency output	k $\Omega$	$\geq 2$					
Voltage output	k $\Omega$	$\geq 10$					
<b>Long-term drift over 48 h at reference temperature</b>							
Frequency output	%	$\leq \pm 0.03$					
Voltage output	%	$\leq \pm 0.03$					
<b>Measurement frequency range, -3 dB</b>	kHz	1 <sup>1)</sup> / 3 <sup>2)</sup> / 6 <sup>3)</sup>					
<b>Group delay</b>	$\mu$ s	< 400 <sup>1)</sup> / < 220 <sup>2)</sup> / < 150 <sup>3)</sup>					
<b>Residual ripple</b>							
Voltage output <sup>5)</sup>	mV	< 40					
<b>Maximum modulation range <sup>6)</sup></b>							
Frequency output	kHz	2.5 ... 17.5 <sup>1)</sup> / 15 ... 105 <sup>2)</sup> / 60 ... 420 <sup>3)</sup>					
Voltage output	V	-12 ... +12					
<b>Energy supply</b>							
Nominal (rated) supply voltage (DC safety extra low voltage)	V	18 ... 30					
Current consumption in measuring mode	A	< 1					
Current consumption in start-up mode	A	< 4 (typically 2) 50 $\mu$ s					
Nominal (rated) power consumption	W	< 10					
Maximum cable length	m	50					
<b>Shunt signal</b>		approx. 50 % of $M_{nom}$					
<b>Tolerance of the shunt signal, related to <math>M_{nom}</math></b>							
Nominal (rated) trigger voltage	V	5					
Trigger voltage limit	V	36					
Shunt signal ON	V	min. >2.5					

Nominal (rated) torque $M_{nom}$	kNm	100	125	150	200	250	300
Shunt signal OFF	V	max. <0.7					
<b>Torque measuring system (non-rotating)</b>							
<b>Accuracy class</b>		0.1					
<b>Nominal (rated) sensitivity</b> (nominal (rated) signal range between torque = zero and nominal (rated) torque)	mV/V	0.63.....1.1 (the sensitivity is specified on the type plate)					
<b>Linearity deviation including hysteresis, related to the nominal (rated) sensitivity (voltage output)</b> For a max. torque in range:							
between 0% of $M_{nom}$ and 20% of $M_{nom}$	%	$\leq \pm 0.03$					
> 20% of $M_{nom}$ and 60% of $M_{nom}$	%	$\leq \pm 0.065$					
> 60% of $M_{nom}$ and 100% of $M_{nom}$	%	$\leq \pm 0.1$					
<b>Temperature effect per 10 K in the nominal (rated) temperature range</b>							
on the output signal, related to the actual value of the signal span	%	$\leq \pm 0.1$					
on the zero signal, related to nominal (rated) sensitivity	%	$\leq \pm 0.07$					
<b>Relative standard deviation of reproducibility</b> (variability) per DIN 1319, related to the variation of the output signal.	%	$\leq \pm 0.02$					
<b>Input resistance at reference temperature</b>	$\Omega$	1560 $\pm$ 100					
<b>Output resistance at reference temperature</b>	$\Omega$	1400 $\pm$ 100					
<b>Reference excitation voltage</b>	V	5					
<b>Operating range of the excitation voltage</b>		2.5 ... 12					
<b>Transducer identification</b>		TEDS as per IEEE 1451.4					

Nominal (rated) torque $M_{nom}$	kNm	100	125	150	200	250	300
<b>Rotational speed measuring system</b>							
<b>Rotational speed measuring system</b>		Magnetic scanning and ring gear					
<b>Output signals</b>		2 square wave signals 90° phase shifted, 5V TTL/RS-422					
<b>Number of pulses per revolution</b> (number of teeth)		72			86		
<b>Output signal level High</b>	V	≥3.5					
<b>Output signal level Low</b>	V	≤0.8					
<b>Maximum permissible output frequency</b>	kHz	25					
<b>Radial nominal distance between sensor head and teeth</b>	mm	2.5					
<b>Radial working range</b>	mm	1.5 – 3.5					
<b>Permissible axial displacement</b>	mm	±2					
<b>Permissible magnetic field strength for signal deviations</b>	kA/m	<0.1					
<b>General information</b>							
<b>EMC</b>							
<b>Emission</b> (as per FCC 47, Part 15, Subsection C) <sup>7)</sup>							
<b>Emission</b> (as per EN 61326-1, Section 7)							
RFI field strength		Class B					
<b>Immunity to interference</b> (EN 61326-1, Table 2)							
Electromagnetic field (AM)		V/m			10		
Magnetic field		A/m			100		
Electrostatic discharge (ESD)							
Contact discharge		kV			4		
Air discharge		kV			8		
Fast transients (burst)		kV			1		

<b>Nominal (rated) torque <math>M_{nom}</math></b>	<b>kNm</b>	<b>100</b>	<b>125</b>	<b>150</b>	<b>200</b>	<b>250</b>	<b>300</b>
Impulse voltages (surge)	kV	1					
Conducted interference (AM)	V	10					
<b>Degree of protection per EN 60529</b>		IP 54					
<b>Reference temperature</b>	°C	23					
<b>Nominal temperature range</b>	°C	+10 ... +70					
<b>Operating temperature range <sup>8)</sup></b>	°C	-20 ... +85					
<b>Storage temperature range</b>	°C	-40 ... +85					
<b>Mechanical shock per EN 60068-2-27 <sup>9)</sup></b>							
Number	n	1000					
Duration	ms	3					
Acceleration (half sine)	m/s <sup>2</sup>	650					
<b>Vibrational stress in three directions per EN 60068-2-6 <sup>9)</sup></b>							
Frequency range	Hz	10 ... 2000					
Duration	h	2.5					
Acceleration (amplitude)	m/s <sup>2</sup>	100					
<b>Load limits <sup>10)</sup></b>							
<b>Torque limit, related to <math>M_{nom}</math> <sup>11)</sup></b>	kNm	200			400		
<b>Breaking torque, related to <math>M_{nom}</math> <sup>11)</sup></b>	kNm	>300			>600		
<b>Axial limit force <sup>12)</sup></b>	kN	230			290		
<b>Lateral limit force <sup>12)</sup></b>	kN	110			240		
<b>Bending moment limit <sup>12)</sup></b>	N·m	22			35		
<b>Oscillation width per DIN 50100 (peak-to-peak) <sup>13)</sup></b>	kNm	200			400		
<b>Upper maximum torque</b>	kNm	150			300		
<b>Lower maximum torque</b>	kNm	-150			-300		

Nominal (rated) torque $M_{nom}$	kNm	100	125	150	200	250	300
<b>Mechanical values</b>							
<b>Size</b>		BG1			BG2		
<b>Torsional stiffness <math>c_T</math></b>	kN·m/rad	119310			228090		
<b>Torsion angle at <math>M_{nom}</math></b>	degrees	0.072			0.075		
<b>Stiffness in the axial direction <math>c_a</math></b>	kN/mm	1855			3900		
<b>Stiffness in the radial direction <math>c_r</math></b>	kN/mm	3340			4910		
<b>Stiffness during the bending moment round a radial axis <math>c_b</math></b>	kN·m/rad	25495			65900		
	kN·m/degrees	445			1150		
<b>Maximum deflection at axial limit force</b>	mm	<0.1					
<b>Additional maximum radial deviation at lateral limit force</b>	mm	<0.1					
<b>Additional maximum deviation from plane parallelism at bending moment limit</b>	mm	<0.5					
<b>Balance quality level per DIN ISO 1940</b>		G 6.3					
<b>Max. limits for relative shaft vibration<sup>14)</sup> (peak-to-peak)</b> Undulations in the connection flange area, based on ISO 7919-3	$\mu\text{m}$	Normal operation (continuous operation)					
		$S_{(p-p)} = \frac{9000}{\sqrt{n}}$ (n in rpm)					
	$\mu\text{m}$	Start and stop operation/resonance ranges (temporary)					
		$S_{(p-p)} = \frac{13200}{\sqrt{n}}$ (n in rpm)					
<b>Mass moment of inertia of rotor <math>J_v</math></b> (around the rotary axis; does not take flange bolts into account)	kg·m <sup>2</sup>	2.0			5.15		
<b>Proportional mass moment of inertia for the transmitter side (side of the flange with external centering)</b>	% of $I_v$	45			47		

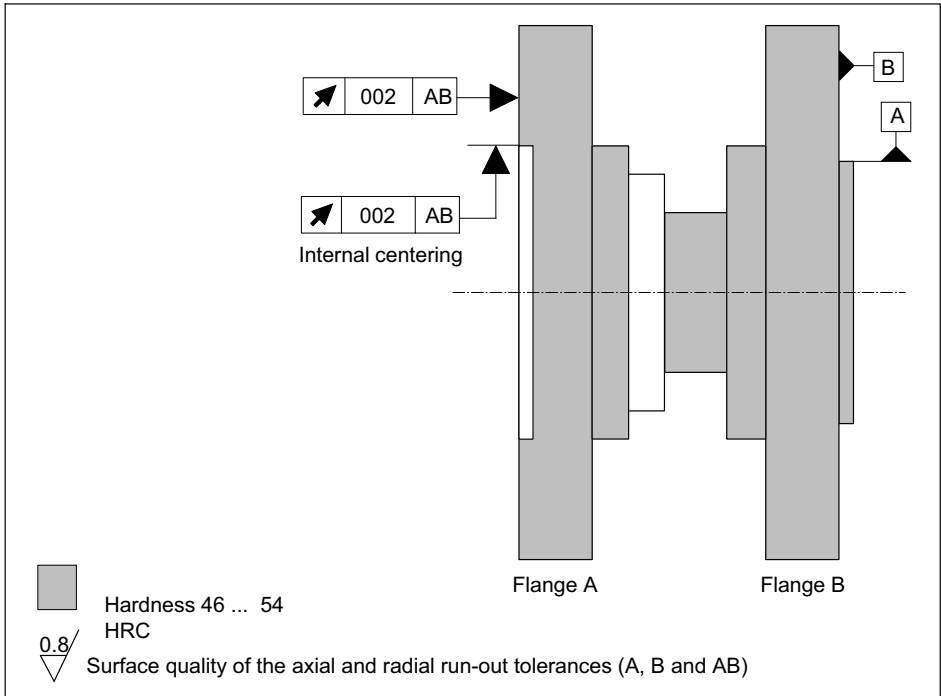


Nominal (rated) torque $M_{nom}$	kNm	100	125	150	200	250	300
<b>Max. permissible static eccentricity</b> of the rotor (radially) to the center point of the stator							
without the speed module	mm					±2	
with rotational speed module	mm					±1	
<b>Permissible axial displacement<sup>15)</sup></b> between rotor and stator	mm					±2	
<b>Weight</b>							
Rotor	kg	78			142		
Stator	kg	2.1			2.3		

- 1) Option 5, 10 ±5 kHz (code SU2)
- 2) Option 5, 60 ±30 kHz (code DU2)
- 3) Option 5, 240 ±120 kHz (code HU2)
- 4) RS-422 complementary signals, note line termination.
- 5) Signal frequency range 0.1 to 10 kHz
- 6) Output signal range in which there is a repeatable correlation between torque and output signal.
- 7) Only for rotating version
- 8) Heat conductance via the stator base plate necessary over 70°C. The temperature of the base plate must not exceed 85°C.
- 9) The antenna ring and connector plug must be fixed.
- 10) Each type of irregular stress (bending moment, lateral or longitudinal force, exceeding nominal (rated) torque), can only be permitted up to its specified load limit, provided none of the others can occur at the same time. If this condition is not met, the limit values must be reduced. If 30% of the bending moment limit and the lateral limit force occur at the same time, only 40% of the axial limit force is permissible and the nominal (rated) torque must not be exceeded. The effects of permissible bending moments, axial and lateral forces on the measurement result are ≤±1% of the nominal (rated) torque. The load limits only apply for the nominal (rated) temperature range. At temperatures <10°C, the load limits must be reduced by approx. 30% (strength reduction).
- 11) With static load.
- 12) Static and dynamic.
- 13) The nominal (rated) torque must not be exceeded.
- 14) The influence of radial run-out deviations, eccentricity, defects of form, notches, marks, local residual magnetism, structural inhomogeneity or material anomalies needs to be taken into account and isolated from the actual undulation.
- 15) Above the nominal (rated) temperature range: ±1.5 mm.

## 16 Supplementary technical information

### Axial and radial run-out tolerances

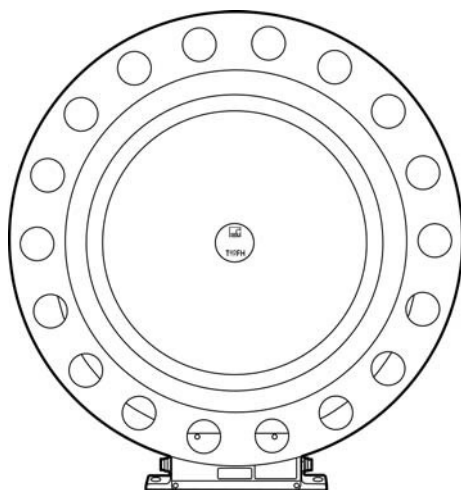


To ensure that the torque flange retains its characteristics once it is installed, we recommend that the customer also chooses the specified form and position tolerances, surface quality and hardness for the connections provided.

# Mounting Instructions | Montageanleitung

English

Deutsch



## T40FH

<b>1</b>	<b>Sicherheitshinweise</b> .....	<b>4</b>
<b>2</b>	<b>Verwendete Kennzeichnungen</b> .....	<b>12</b>
2.1	Auf dem Aufnehmer angebrachte Symbole .....	12
2.2	In dieser Anleitung verwendete Kennzeichnungen .....	13
<b>3</b>	<b>Anwendung</b> .....	<b>14</b>
<b>4</b>	<b>Aufbau und Wirkungsweise</b> .....	<b>15</b>
<b>5</b>	<b>Mechanischer Einbau</b> .....	<b>17</b>
5.1	Wichtige Vorkehrungen beim Einbau .....	17
5.2	Bedingungen am Einbauort .....	18
5.3	Einbaulage .....	19
5.4	Einbaumöglichkeiten .....	20
5.4.1	Einbau mit demontiertem Antennenring .....	21
5.5	Rotormontage vorbereiten .....	22
5.6	Montage des Rotors .....	26
5.7	Montage des Stators .....	29
5.8	Drehzahlmesssystem .....	35
<b>6</b>	<b>Elektrischer Anschluss</b> .....	<b>38</b>
6.1	Allgemeine Hinweise .....	38
6.2	EMV-Schutz .....	38
6.3	Steckerbelegung Option 4, Code SU2, DU2, HU2 .....	40
6.4	Steckerbelegung Option 3, Code PNJ .....	45
6.5	Versorgungsspannung (SU2, DU2, HU2) .....	45
6.6	Versorgungsspannung (Option 3, Code PNJ) .....	46
<b>7</b>	<b>Aufnehmer-Identifikation TEDS (Option 3, Code PNJ)</b> .....	<b>47</b>
7.1	Hierarchie der Nutzerrechte .....	47
7.1.1	Standardrechte (Stufe USR) .....	47
7.1.2	Kalibrierrechte (Stufe CAL) .....	48

7.1.3	Administratorrechte (Stufe ID) .....	48
7.2	Inhalt des TEDS-Speicher nach IEEE 1451.4 .....	48
<b>8</b>	<b>Shuntsignal .....</b>	<b>54</b>
<b>9</b>	<b>Funktionsprüfung .....</b>	<b>56</b>
9.1	Rotorstatus, LED A (obere LED) .....	57
9.2	Statorstatus, LED B (untere LED) .....	57
<b>10</b>	<b>Belastbarkeit .....</b>	<b>59</b>
<b>11</b>	<b>Wartung .....</b>	<b>61</b>
<b>12</b>	<b>Entsorgung und Umweltschutz .....</b>	<b>62</b>
<b>13</b>	<b>Abmessungen .....</b>	<b>63</b>
13.1	T40FH Drehmomentaufnehmer mit Drehzahlmesssystem, Option 4, Code SU2, DU2, HU2 .....	63
13.1.1	T40FH 100 kNm - 150 kNm .....	63
13.1.2	T40FH 200 kNm - 300 kNm .....	64
13.2	T40FH Drehmomentaufnehmer (nicht drehend), Option 4, Code PNJ .....	65
13.2.1	T40FH 100 kNm - 150 kNm .....	65
13.2.2	T40FH 200 kNm - 300 kNm .....	66
<b>14</b>	<b>Bestellnummern, Zubehör .....</b>	<b>67</b>
<b>15</b>	<b>Technische Daten .....</b>	<b>69</b>
<b>16</b>	<b>Ergänzende technische Informationen .....</b>	<b>77</b>

# 1 Sicherheitshinweise

## FCC-Konformität und Hinweis



### Information

*FCC-Option ausschließlich auf Anfrage verfügbar.*



### Wichtig

*Durch Änderungen, die nicht ausdrücklich schriftlich von der für die Konformität zuständigen Person genehmigt wurden, könnte die Berechtigung zum Betrieb des Geräts verfallen. Sofern angegeben, müssen zusätzliche Komponenten oder Zubehörteile, deren Verwendung bei der Installation des Produkts an anderer Stelle vorgegeben ist, verwendet werden, um die Einhaltung der FCC-Vorschriften zu gewährleisten.*

Dieses Gerät entspricht Teil 15 der FCC-Vorschriften. Der Betrieb unterliegt den beiden nachstehenden Bedingungen: (1) Dieses Gerät darf keine schädlichen Störungen verursachen und (2) dieses Gerät muss Störungen akzeptieren können, auch solche, die ein unerwünschtes Betriebsverhalten zur Folge haben können.

Die FCC-Kennung bzw. die eindeutige Kennung muss am Gerät sichtbar sein.

Modell	Messbereiche	FCC ID	IC
T40S10	100 kNm, 130 kNm, 150 kNm	2ADAT-T40S10TOS11	12438A-T40S10TOS11
T40S11	200 kNm, 250 kNm, 300 kNm		

Beispiel eines Labels mit FCC-ID und IC-Nummer.

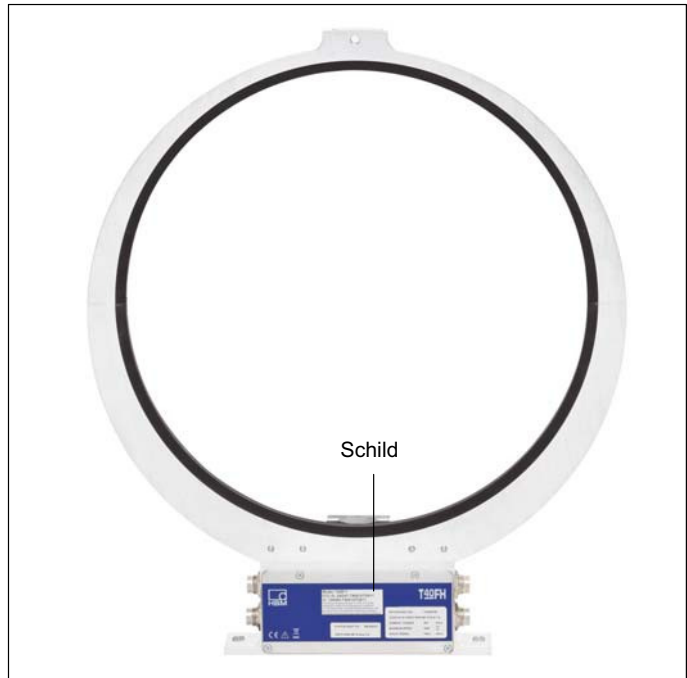


Abb. 1.1 Position des Labels am Stator des Geräts

**Model: T40S10**

**FCC ID: 2ADAT-T40S10TOS11**

**IC: 12438A-T40S10TOS11**

This device complies with part 15 of the FCC Rules. Operation is subject to the following two conditions: (1) This device may not cause harmful interference, and (2) this device must accept any interference received, including interference that may cause undesired operation.

Abb. 1.2 Beispiel eines Labels

Dieses Gerät entspricht der Industry-Canada-Norm RSS210.

Dieses Gerät entspricht der bzw. den RSS-Normen von Industry Canada für nicht genehmigungspflichtige Geräte. Der Betrieb unterliegt den beiden nachstehenden Bedingungen: (1) Dieses Gerät darf keine Störungen verursachen und (2) dieses Gerät muss Störungen akzeptieren können, auch solche, die ein unerwünschtes Betriebsverhalten des Geräts zur Folge haben können.

*This device complies with Industry Canada standard RSS210.*

*This device complies with Industry Canada license-exempt RSS standard(s). Operation is subject to the following two conditions: (1) this device may not cause interference, and (2) this device must accept any interference, including interference that may cause undesired operation of the device.*

*Cet appareil est conforme aux norme RSS210 d'Industrie Canada.*

*Cet appareil est conforme aux normes d'exemption de licence RSS d'Industry Canada. Son fonctionnement est soumis aux deux conditions suivantes : (1) cet appareil ne doit pas causer d'interférence et (2) cet appareil doit accepter toute interférence, notamment les interférences qui peuvent affecter son fonctionnement.*

### **Bestimmungsgemäße Verwendung**

Der Drehmoment-Messflansch T40FH ist für Drehmoment-, Drehwinkel- und Leistungs-Messaufgaben im Rahmen der durch die technischen Daten spezifizierten Belastungsgrenzen konzipiert. Jeder andere Gebrauch ist nicht bestimmungsgemäß.



*Der Betrieb des Stators ist nur mit montiertem Rotor zulässig.*

Der Drehmoment-Messflansch darf nur von qualifiziertem Personal ausschließlich entsprechend der technischen Daten unter Beachtung der Sicherheitsbestimmungen und Vorschriften dieser Montageanleitung eingesetzt werden. Zusätzlich sind die für den jeweiligen Anwendungsfall geltenden Rechts- und Sicherheitsvorschriften zu beachten. Sinngemäß gilt dies auch bei der Verwendung von Zubehör.

Der Drehmoment-Messflansch ist nicht zum Einsatz als Sicherheitsbauteil bestimmt. Bitte beachten Sie hierzu den Abschnitt „Zusätzliche Sicherheitsvorkehrungen“. Der einwandfreie und sichere Betrieb setzt sachgemäßen Transport, fachgerechte Lagerung, Aufstellung und Montage sowie sorgfältige Bedienung voraus.

### **Belastbarkeitsgrenzen**

Beim Einsatz des Drehmoment-Messflanschs sind die Angaben in den technischen Datenblättern unbedingt zu beachten. Insbesondere dürfen die jeweils angegebenen Maximalbelastungen keinesfalls überschritten werden. Nicht überschritten werden dürfen z. B. die in den technischen Daten angegebenen Werte für

- Grenzdrehmoment,
- Grenzlängskraft, Grenzquerkraft oder Grenzbiegemoment,
- Schwingbreite des Drehmoments,
- Bruchdrehmoment,
- Temperaturgrenzen,
- die Grenzen der elektrischen Belastbarkeit.

### **Einsatz als Maschinenelemente**

Der Drehmoment-Messflansch kann als Maschinenelemente eingesetzt werden. Bei dieser Verwendung ist zu beachten, dass der Aufnehmer zu Gunsten einer hohen Messempfindlichkeit nicht mit den im Maschinenbau üblichen Sicherheitsfaktoren konstruiert wurde. Beachten Sie hierzu den Abschnitt „Belastbarkeitsgrenzen“ und die technischen Daten.

### **Unfallverhütung**

Entsprechend den einschlägigen Unfallverhütungsvorschriften der Berufsgenossenschaften ist nach der Montage des Aufnehmers vom Betreiber eine Abdeckung oder Verkleidung wie folgt anzubringen:

- Abdeckung oder Verkleidung dürfen nicht mitrotieren.
- Abdeckung oder Verkleidung sollen sowohl Quetsch- und Scherstellen vermeiden als auch vor evtl. sich lösenden Teilen schützen.
- Abdeckungen und Verkleidungen müssen weit genug von den bewegten Teilen entfernt oder so beschaffen sein, dass man nicht hindurchgreifen kann.
- Abdeckungen und Verkleidungen müssen auch angebracht sein, wenn die bewegten Teile des Drehmoment-Messflanschs außerhalb des Verkehrs- und Arbeitsbereiches von Personen installiert sind.

Von den vorstehenden Forderungen darf nur abgewichen werden, wenn der Drehmoment-Messflansch schon durch den Aufbau der Maschine oder bereits vorhandene Schutzvorkehrungen ausreichend gesichert ist.

### **Zusätzliche Sicherheitsvorkehrungen**

Der Drehmoment-Messflansch kann (als passiver Aufnehmer) keine (sicherheitsrelevanten) Abschaltungen

vornehmen. Dafür bedarf es weiterer Komponenten und konstruktiver Vorkehrungen, für die der Errichter und Betreiber der Anlage Sorge zu tragen hat. Die das Messsignal verarbeitende Elektronik ist so zu gestalten, dass bei Ausfall des Messsignals keine Folgeschäden auftreten können.

Der Leistungs- und Lieferumfang des Aufnehmers deckt nur einen Teilbereich der Drehmoment-Messtechnik ab. Sicherheitstechnische Belange sind vom Anlagenplaner/ Ausrüster/Betreiber so zu planen, zu realisieren und zu verantworten, dass Restgefahren minimiert werden. Die jeweils existierenden nationalen und örtlichen Vorschriften sind zu beachten.

### **Allgemeine Gefahren bei Nichtbeachten der Sicherheitshinweise**

Der Drehmoment-Messflansch entspricht dem Stand der Technik und ist betriebssicher. Von dem Aufnehmer können Gefahren ausgehen, wenn er von ungeschultem Personal oder unsachgemäß montiert, aufgestellt, eingesetzt und bedient wird. Jede Person, die mit Aufstellung, Inbetriebnahme, Betrieb oder Reparatur eines Drehmoment-Messflanschs beauftragt ist, muss die Montageanleitung und insbesondere die sicherheitstechnischen Hinweise gelesen und verstanden haben. Bei nicht bestimmungsgemäßem Gebrauch des Aufnehmers, bei Nichtbeachtung der Montage- und Bedienungsanleitung, dieser Sicherheitshinweise oder sonstiger einschlägiger Sicherheitsvorschriften (Unfallverhütungsvorschriften der BG) beim Umgang mit dem Aufnehmer, kann der Aufnehmer beschädigt oder zerstört werden. Insbesondere bei Überlastungen kann es zum Bruch des Aufnehmers kommen. Durch den Bruch können darüber hinaus Sachen oder Personen in der Umgebung des Aufnehmers zu Schaden kommen.

Wird der Drehmoment-Messflansch nicht seiner Bestimmung gemäß eingesetzt oder werden die Sicherheitshinweise oder die Vorgaben der Montage- oder Bedienungsanleitung außer Acht gelassen, kann es ferner zum Ausfall oder zu Fehlfunktionen des Aufnehmers kommen, mit der Folge, dass (durch auf den Drehmoment-Messflansch einwirkende oder durch diesen überwachte Drehmomente) Menschen oder Sachen zu Schaden kommen können.

### **Umbauten und Veränderungen**

Der Aufnehmer darf ohne unsere ausdrückliche Zustimmung weder konstruktiv noch sicherheitstechnisch verändert werden. Jede Veränderung schließt eine Haftung unsererseits für daraus resultierende Schäden aus.

### **Veräußerung**

Bei einer Veräußerung des Drehmoment-Messflanschs ist diese Montageanleitung dem Drehmoment-Messflansch beizulegen.

### **Qualifiziertes Personal**

Qualifiziertes Personal sind Personen, die mit Aufstellung, Montage, Inbetriebsetzung und Betrieb des Produktes vertraut sind und die über die ihrer Tätigkeit entsprechende Qualifikationen verfügen.

Dazu zählen Personen, die mindestens eine der drei folgenden Voraussetzungen erfüllen:

1. Ihnen sind die Sicherheitskonzepte der Automatisierungstechnik bekannt und Sie sind als Projektpersonal damit vertraut.
2. Sie sind Bedienungspersonal der Automatisierungsanlagen und im Umgang mit den Anlagen unterwiesen. Sie sind mit der Bedienung der in dieser

Dokumentation beschriebenen Geräte und Technologien vertraut.

3. Sie sind Inbetriebnehmer oder für den Service eingesetzt und haben eine Ausbildung absolviert, die Sie zur Reparatur der Automatisierungsanlagen befähigt. Außerdem haben Sie eine Berechtigung, Stromkreise und Geräte gemäß den Normen der Sicherheitstechnik in Betrieb zu nehmen, zu erden und zu kennzeichnen.

## 2 Verwendete Kennzeichnungen

### 2.1 Auf dem Aufnehmer angebrachte Symbole

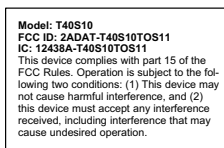


Angaben in dieser Anleitung nachlesen und berücksichtigen



#### CE-Kennzeichnung

Mit der CE-Kennzeichnung garantiert der Hersteller, dass sein Produkt den Anforderungen der relevanten EG-Richtlinien entspricht (die Konformitätserklärung finden Sie auf der Website von HBM [www.hbm.com](http://www.hbm.com) unter HBM-doc).



#### Beispiel eines Labels

Beispiel eines Labels mit FCC-ID und IC-Nummer. Position des Labels am Stator des Geräts.








#### Gesetzlich vorgeschriebene Kennzeichnung zur Entsorgung

Elektrische und elektronische Geräte, die dieses Symbol tragen, unterliegen der europäischen Richtlinie 2002/96/EG über elektrische und elektronische Altgeräte. Das Symbol weist darauf hin, dass nicht mehr gebrauchsfähige Altgeräte gemäß den europäischen Vorschriften für Umweltschutz und Rohstoffrückgewinnung getrennt von regulärem Hausmüll zu entsorgen sind, *siehe auch Kapitel 12, Seite 62.*

## 2.2 In dieser Anleitung verwendete Kennzeichnungen

Wichtige Hinweise für Ihre Sicherheit sind besonders gekennzeichnet. Beachten Sie diese Hinweise unbedingt, um Unfälle und Sachschäden zu vermeiden.

Symbol	Bedeutung
 <b>WARNUNG</b>	Diese Kennzeichnung weist auf eine <i>mögliche</i> gefährliche Situation hin, die – wenn die Sicherheitsbestimmungen nicht beachtet werden – Tod oder schwere Körperverletzung zur Folge <i>haben kann</i> .
 <b>VORSICHT</b>	Diese Kennzeichnung weist auf eine <i>mögliche</i> gefährliche Situation hin, die – wenn die Sicherheitsbestimmungen nicht beachtet werden – leichte oder mittlere Körperverletzung zur Folge <i>haben kann</i> .
<b>Hinweis</b>	Diese Kennzeichnung weist auf eine Situation hin, die – wenn die Sicherheitsbestimmungen nicht beachtet werden – Sachschäden zur Folge <i>haben kann</i> .
 <b>Wichtig</b>	Diese Kennzeichnung weist auf <i>wichtige</i> Informationen zum Produkt oder zur Handhabung des Produktes hin.
 <b>Tipp</b>	Diese Kennzeichnung weist auf Anwendungstipps oder andere für Sie nützliche Informationen hin.
 <b>Information</b>	Diese Kennzeichnung weist auf Informationen zum Produkt oder zur Handhabung des Produktes hin.
<i>Hervorhebung</i> <i>Siehe ...</i>	Kursive Schrift kennzeichnet Hervorhebungen im Text und kennzeichnet Verweise auf Kapitel, Bilder oder externe Dokumente und Dateien.

### 3 Anwendung

Der Drehmoment-Messflansch T40FH erfasst statische und dynamische Drehmomente an ruhenden oder rotierenden Wellen. Der Aufnehmer ermöglicht durch seine kurze Bauweise äußerst kompakte Prüfaufbauten. Dadurch ergeben sich vielfältige Anwendungen.

Der Drehmomentflansch T40FH verfügt über einen zuverlässigen Schutz vor elektromagnetischen Störungen. Er wurde gemäß harmonisierten europäischen Normen getestet und/oder entspricht US-amerikanischen und kanadischen Normen. Am Produkt befindet sich das CE-Kennzeichen und/oder das FCC-Label.



## 4 Aufbau und Wirkungsweise

Der Drehmoment-Messflansch besteht aus zwei getrennten Teilen, dem Rotor und dem Stator. Der Rotor setzt sich zusammen aus dem Messkörper und den Signal-Übertragungselementen.

Auf dem Messkörper sind Dehnungsmessstreifen (DMS) installiert. Die Rotorelektronik für die Brückenspeisespannungs- und Messsignalübertragung ist zentrisch im Flansch angeordnet. Der Messkörper trägt am äußeren Umfang die Übertragerspulen für die berührungslose Übertragung von Speisespannung und Messsignal. Die Signale werden von einem teilbaren Antennenring gesendet bzw. empfangen. Der Antennenring ist auf einem Gehäuse befestigt, in dem die Elektronik für die Spannungsanpassung sowie die Signalaufbereitung untergebracht sind.

Am Stator befinden sich Anschlussstecker für das Drehmoment- und das Drehzahlsignal, die Spannungsversorgung und den digitalen Ausgang. Die Antennensegmente (der Antennenring) müssen konzentrisch um den Rotor montiert werden (*siehe Kapitel 5*).

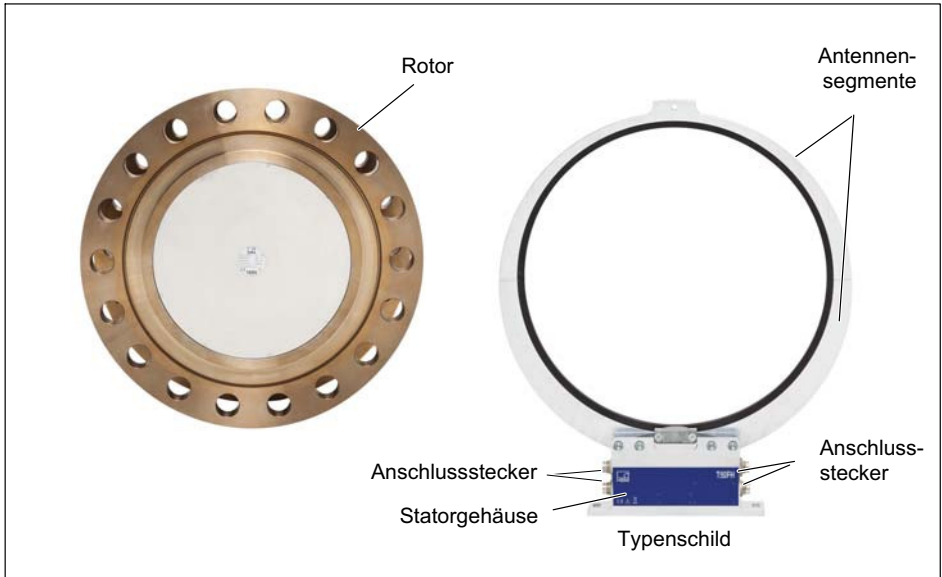


Abb. 4.1 Mechanischer Aufbau

Bei der Option 5 mit Drehzahlmesssystem ist auf dem Stator der Drehzahlsensor montiert. Die Drehzahlmessung erfolgt magnetisch mittels Feldplattensensor und einem am Rotor angebrachten Zahnkranz.

## 5 Mechanischer Einbau

### 5.1 Wichtige Vorkehrungen beim Einbau

#### Hinweis

*Ein Drehmoment-Messflansch ist ein Präzisions-Mess-  
element und verlangt daher eine umsichtige Hand-  
habung. Stöße oder Stürze können zu permanenten  
Schäden am Aufnehmer führen. Sorgen Sie dafür, dass  
auch bei der Montage keine Überlastung des Aufneh-  
mers auftreten kann.*

- Behandeln Sie den Aufnehmer schonend.
- Prüfen Sie den Einfluss von Biegemomenten, kri-  
tischen Drehzahlen und Torsionseigenschwingungen,  
um eine Überlastung des Aufnehmers durch Reso-  
nanzüberhöhungen zu vermeiden.
- Stellen Sie sicher, dass der Aufnehmer nicht  
überlastet werden kann.



#### WARNUNG

Bei einer Überlastung des Aufnehmers besteht die  
Gefahr, dass der Aufnehmer bricht. Dadurch können  
Gefahren für das Bedienpersonal der Anlage auftreten, in  
die der Aufnehmer eingebaut ist.

Treffen Sie geeignete Sicherungsmaßnahmen zur  
Vermeidung einer Überlastung und zur Sicherung gegen  
sich daraus ergebende Gefahren.

- Kleben Sie die Verbindungsschrauben mit einer Schraubensicherung (mittelfest, z. B. von LOCTITE) in das Gegengewinde ein, um einen Vorspannverlust durch Lockern auszuschließen, falls Wechsellasten zu erwarten sind.
- Halten Sie die Montagemaße unbedingt ein, um einen einwandfreien Betrieb zu ermöglichen.

Der Drehmoment-Messflansch T40FH kann über einen entsprechenden Wellenflansch direkt montiert werden. Am Rotor ist auch die direkte Montage einer Gelenkwelle oder entsprechender Ausgleichselemente (bei Bedarf über Zwischenflansch) möglich. Die zulässigen Grenzen für Biegemomente, Quer- und Längskräfte dürfen jedoch in keinem Fall überschritten werden. Durch die hohe Drehsteifigkeit des Aufnehmers T40FH werden dynamische Veränderungen des Wellenstrangs gering gehalten.



### Wichtig

*Auch bei korrektem Einbau kann sich der im Werk abgeglichene Nullpunkt bis zu ca. 0,5% vom Kennwert verschieben. Wird dieser Wert überschritten, empfehlen wir, die Einbausituation zu prüfen. Ist der bleibende Nullpunktversatz im ausgebauten Zustand größer als 1% vom Kennwert, senden Sie den Aufnehmer bitte zur Prüfung ins Werk Darmstadt.*

## 5.2 Bedingungen am Einbauort

Der Drehmoment-Messflansch T40FH muss vor grobem Schmutz, Staub, Öl, Lösungsmitteln und Feuchtigkeit geschützt werden.

Der Aufnehmer ist in weiten Grenzen gegen Temperatureinflüsse auf das Ausgangs- und Nullsignal kompensiert (siehe Kapitel 15 „Technische Daten“). Liegen keine stationären Temperaturverhältnisse vor, z. B. durch Temperaturunterschiede zwischen Messkörper und Flansch, können die in den technischen Daten spezifizierten Werte überschritten werden. Sorgen Sie in diesen Fällen je nach Anwendungsfall durch Kühlung oder Heizung für stationäre Temperaturverhältnisse. Prüfen Sie alternativ, ob eine Temperaturentkopplung möglich ist, z. B. durch Wärme abstrahlende Elemente wie Lamellenkupplungen.

### 5.3 Einbaulage

Die Einbaulage des Drehmoment-Messflanschs ist beliebig.

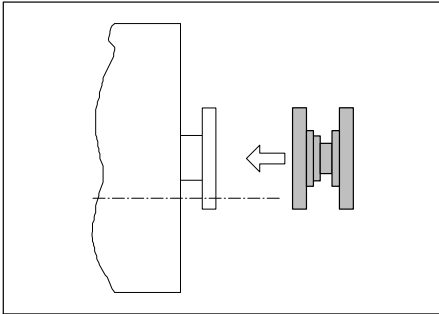
Bei Rechtsdrehmoment (im Uhrzeigersinn) beträgt die Ausgangsfrequenz bei Option 5, Code DU2 60 ... 90 kHz (Option 5, Code SU2: 10 ... 15 kHz; Option HU2: 240 ... 360 kHz). In Verbindung mit Messverstärkern von HBM oder bei Nutzung des Spannungsausgangs steht ein positives Ausgangssignal (0 V ... +10 V) an. Beim Drehzahl-Messsystem ist zum eindeutigen Bestimmen der Drehrichtung auf dem Statorgehäuse ein Pfeil angebracht: Dreht der Messflansch in Pfeilrichtung, liefern angeschlossene HBM-Messverstärker ein positives Ausgangssignal.

Bei der nichtdrehenden Ausführung ist bei Rechtsdrehmoment das Ausgangssignal in mV/V positiv.

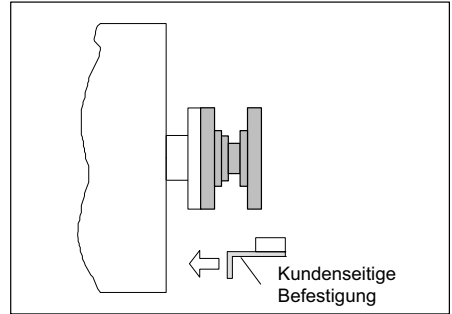
## 5.4 Einbaumöglichkeiten

Da der Durchmesser kleiner ist als der Flanschdurchmesser des Rotors, muss der Antennenring bei der Montage zerlegt werden. Bei schlechten Zugangsmöglichkeiten zum Rotor im eingebauten Zustand, empfehlen wir, den Antennenring bereits vorher zu zerlegen. Beachten Sie hierbei unbedingt die Hinweise zum Zusammenbau der Antennensegmente (*siehe Kapitel 5.7*).

### 5.4.1 Einbau mit demontiertem Antennenring



1. Rotor installieren



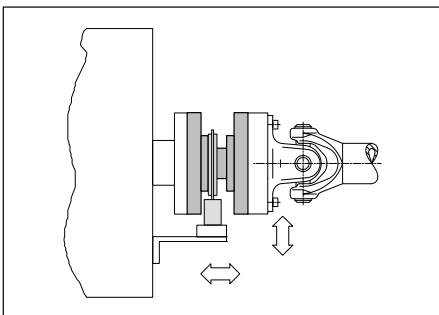
2. Statorbefestigung montieren



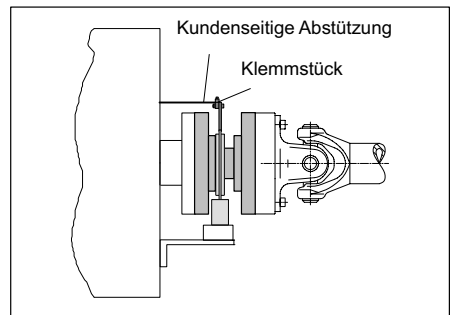
3. Ein Antennensegment demontieren



4. Antennensegment um den Wellenstrang montieren



5. Stator ausrichten und fertig montieren



6. Klemmstück montieren

## 5.5 Rotormontage vorbereiten



### VORSICHT

Der Rotor ist schwer (je nach Messbereich bis zu 142 kg)! Verwenden Sie zum Heben aus der Verpackung und zur Montage einen Kran oder andere geeignete Hebevorrichtungen.

Beachten Sie beim Arbeiten mit dem Kran die entsprechenden Sicherheitsvorschriften und tragen Sie Sicherheitsschuhe.

1. Entfernen Sie die obere Schaumstofflage der Verpackung.



Abb. 5.1 Verpackung des T40FH



2. Befestigen Sie an den Hebeösen zwei gleich lange Seile mit ausreichender Tragfähigkeit (jedes der zwei Seile muss das volle Rotorgewicht tragen können) und heben Sie den Rotor mit einem Kran aus der Verpackung (siehe Abb. 5.2).



Abb. 5.2 Rotor aus der Verpackung heben

3. Stellen Sie den Rotor auf einer sauberen, stabilen Unterlage ab.
4. Entfernen Sie eine Hebeöse.

5. Heben Sie den Rotor vorsichtig an, bis er frei hängt.
6. Kippen Sie den Rotor vorsichtig beim Ablassen über die Flanschkante, bis er auf beiden Flanschaußenflächen waagrecht steht (*siehe Abb. 5.3*).



**VORSICHT**

Quetschgefahr. Halten Sie mit Händen und Füßen genügend Abstand zum Rotor.



Abb. 5.3 Rotor kippen

7. Sichern Sie den Rotor mit Keilen gegen Wegrollen.
8. Schrauben Sie die zweite Hebeöse wieder in die Gewindebohrungen in der Flanschaußenfläche ein.
9. Befestigen Sie den Rotor mit zwei gleich langen Seilen am Kranhaken. Der Rotor ist nun für einen horizontalen Einbau vorbereitet (*siehe Abb. 5.4*).



Abb. 5.4 Befestigung zum horizontalen Einbau



**VORSICHT**

Die Hebeösen müssen Sie nach der Montage entfernen!  
Bewahren Sie diese wiederfindbar auf.

## 5.6 Montage des Rotors



### Tipp

*Nach der Montage ist in der Regel das Rotor-Typenschild verdeckt. Deshalb liegen dem Rotor zusätzliche Klebeschilder mit den wichtigen Kenndaten bei, die Sie auf den Stator oder andere relevante Prüfstandskomponenten aufkleben können. Sie können dann jederzeit die für Sie interessanten Daten ablesen, z. B. das Shuntsignal. Für die eindeutige Zuordnung der Daten ist am Rotorflansch von außen sichtbar eine Identifikationsnummer und die Baugröße eingraviert.*

### Hinweis

*Achten Sie darauf, dass während der Montage die in Abb. 5.5 markierte Messzone nicht beschädigt wird, z. B. durch Abstützen oder Anschlagen von Werkzeugen beim Anziehen der Schrauben. Dies kann den Aufnehmer beschädigen und damit zu Fehlmessungen führen oder sogar zerstören.*

1. Reinigen Sie vor dem Einbau die Flanschplanflächen des Aufnehmers und der Gegenflansche.

Die Flächen müssen für eine sichere Drehmomentübertragung sauber und fettfrei sein. Benutzen Sie mit Lösungsmittel angefeuchtete Lappen oder Papier. Achten Sie beim Reinigen darauf, dass die Übertragerwicklung nicht beschädigt wird.

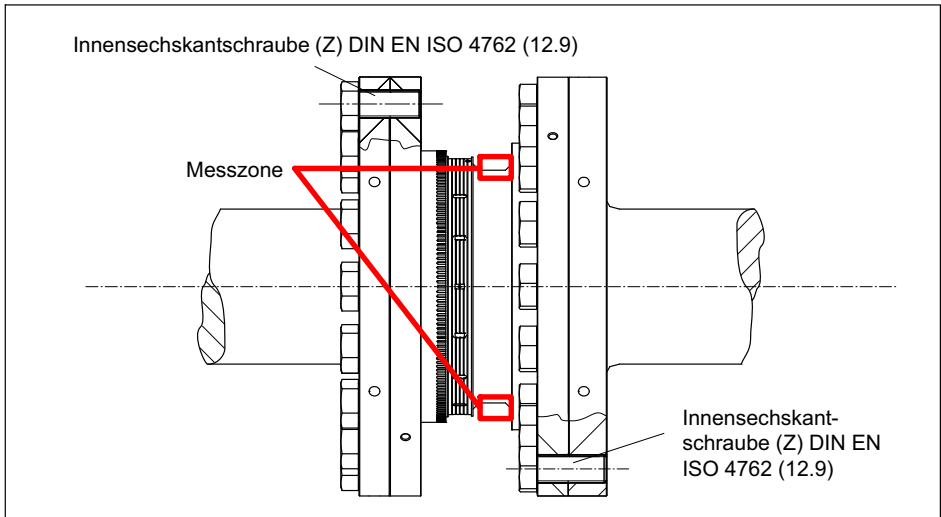


Abb. 5.5 Verschraubung des Rotors

2. Verwenden Sie für die Verschraubung des Flanschs (siehe Abb. 5.5) Innensechskantschrauben *DIN EN ISO 4762* der Festigkeitsklasse 12.9 in geeigneter Länge (abhängig von der Anschlussgeometrie, siehe Tab. 5.1 auf Seite 28).

Wir empfehlen Zylinderschrauben *DIN EN ISO 4762*, geschwärzt, glatter Kopf, zulässige Maß- und Formabweichung nach *DIN ISO 4759*, Teil1, Produktklasse A.

3. Ziehen Sie alle Schrauben mit dem vorgeschriebenen Drehmoment an (Tab. 5.1 auf Seite 28).
4. Entfernen Sie nun die Transport- und Montageöse(n).



### Wichtig

*Bewahren Sie die Transport- und Montageösen für eine spätere Demontage gut auf.*



**Wichtig**

*Kleben Sie die Verbindungsschrauben mit einer Schraubensicherung (mittelfest, z. B. von LOCTITE) in das Gegengewinde ein, um einen Vorspannverlust durch Lockern auszuschließen, falls Wechsellasten zu erwarten sind.*

**Hinweis**

*Halten Sie die maximale Einschraubtiefe nach Tab. 5.1, Seite 28 unbedingt ein. Andernfalls kann es zu erheblichen Messfehlern durch Drehmomentnebenschluss oder zur Beschädigung des Aufnehmers kommen.*

Messbereich	Befestigungsschrauben		Anzahl der Schrauben pro Flansch	Vorgeschriebenes Anzugsmoment
	Z <sup>16)</sup>	Festigkeitsklasse		N·m
100	M30	12.9	16	2450
150				
200	M36		18	4250
250				
300				

<sup>16)</sup> DIN EN ISO 4762; schwarz/geölt/ $\mu_{ges}=0,125$

Tab. 5.1 Befestigungsschrauben



### **Wichtig**

*Trockene Schraubenverbindungen können abweichende, höhere Reibfaktoren zur Folge haben (siehe z. B. VDI 2230). Dadurch ändern sich die erforderlichen Anzugsmomente.*

*Die erforderlichen Anzugsmomente können sich auch ändern, falls Sie Schrauben mit anderer Oberfläche oder anderer Festigkeitsklasse als in Tab. 5.1 angegeben verwenden, da dies den Reibfaktor beeinflusst.*

## **5.7 Montage des Stators**

Im Anlieferungszustand ist der Stator betriebsfertig montiert. Sie können das obere Antennensegment vom Stator trennen, zum Beispiel bei Wartungsarbeiten, oder um eine leichtere Montage des Stators zu ermöglichen.

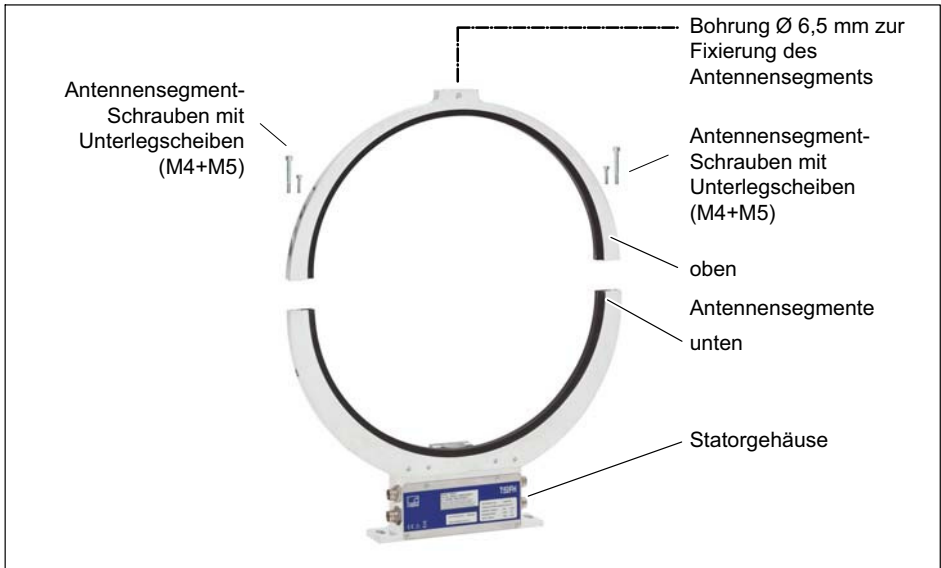


Abb. 5.6 Verschraubung der Antennensegmente am Stator

1. Lösen und entfernen Sie die beiden Verschraubungen (M4+M5) am oberen Antennensegment.

Zwischen den Antennensegmenten sind Fächerscheiben (M4+M5) angeordnet: Achten Sie darauf, dass diese nicht verloren gehen.

2. Montieren Sie das Statorgehäuse auf einer geeigneten Grundplatte im Wellenstrang, sodass ausreichende Einstellmöglichkeiten in horizontaler und vertikaler Richtung vorhanden sind. Ziehen Sie die Schrauben aber noch nicht fest.
3. Montieren Sie nun das unter Punkt 1. entfernte obere Antennensegment mit den vier Innensechskantschrauben auf das untere Antennensegment.



Achten Sie darauf, dass zwischen den Antennensegmenten die Fächerscheiben eingelegt sind (diese sorgen für einen definierten Übergangswiderstand)!



### Wichtig

*Um eine einwandfreie Funktion zu gewährleisten, müssen die Fächerscheiben (A5,3-FST DIN 6798 ZN/verzinkt) nach dreimaligem Lösen der Antennen-Verschraubung erneuert werden.*

4. Ziehen Sie nun alle Verschraubungen der Antennensegmente mit einem Anzugsmoment von 5 N·m an.
5. Richten sie dann die Antenne zum Rotor so aus, dass die Antenne den Rotor etwa koaxial umschließt und der Antennendraht in axialer Richtung die gleiche Position wie die Mitte der Übertragerwicklung auf dem Rotor aufweist.

Um die Ausrichtung zu erleichtern, sollten die Außenkante des Stator-Antennensegments und die Außenkante des Stator-Wicklungsträgers auf einer Linie liegen (fluchten). Beachten Sie die in den technischen Daten angegebenen zulässigen Ausrichtungs-toleranzen.

6. Ziehen Sie jetzt die Verschraubung des Statorgehäuses fest an.

### Vermeidung von Axialschwingungen des Stators

Je nach Betriebsbedingungen kann es vorkommen, dass der Stator zum Schwingen angeregt wird. Dieser Effekt ist abhängig von:

- der Drehzahl,

- dem Antennendurchmesser (abhängig vom Messbereich),
- der Konstruktion des Maschinenbettes.



### **Wichtig**

*Um Axialschwingungen zu vermeiden, ist dem Drehmomentenaufnehmer ein Klemmstück beigelegt, mit dem der Antennenring abgestützt werden kann. Hierzu befindet sich am oberen Antennensegment Bohrung mit einem Durchmesser von 6,5 mm, die zur Aufnahme der Klemmeinrichtung dient (siehe Abb. 5.7).*

*Gleichzeitig ist in diesem Fall eine Abstützung der Kabelstecker (nicht im Lieferumfang enthalten) erforderlich, ein Konstruktionsbeispiel zeigt Abb. 5.9.*



Abb. 5.7 Konstruktionsbeispiel für die Abstützung des Antennenrings

7. Befestigen Sie das Klemmstück mit der beigelegten Verschraubung nach Abb. 5.8. Klemmen Sie ein geeignetes Abstützelement (z.B. einen Gewindestab  $\varnothing 3 - 6 \text{ mm}$ ) zwischen Ober- und Unterteil des Klemmstücks und ziehen Sie die Klemmschrauben an.

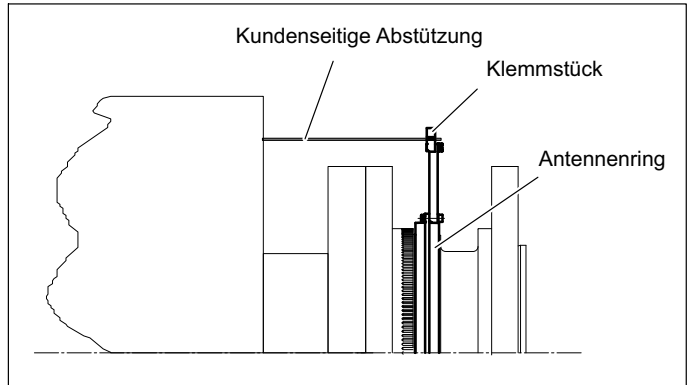


Abb. 5.8 Abstützen des Antennenrings



Abb. 5.9 Konstruktionsbeispiel für Steckerklemmen (für zwei Stecker)

## 5.8 Drehzahlmesssystem

Der Rotor wird bereits standardmäßig mit einem Zahnkranz für das Drehzahlmesssystem geliefert. Optional ist der Stator mit einem Sensorkopf für die Abtastung der mechanischen Inkremente (Zahnkranz) ausgestattet.

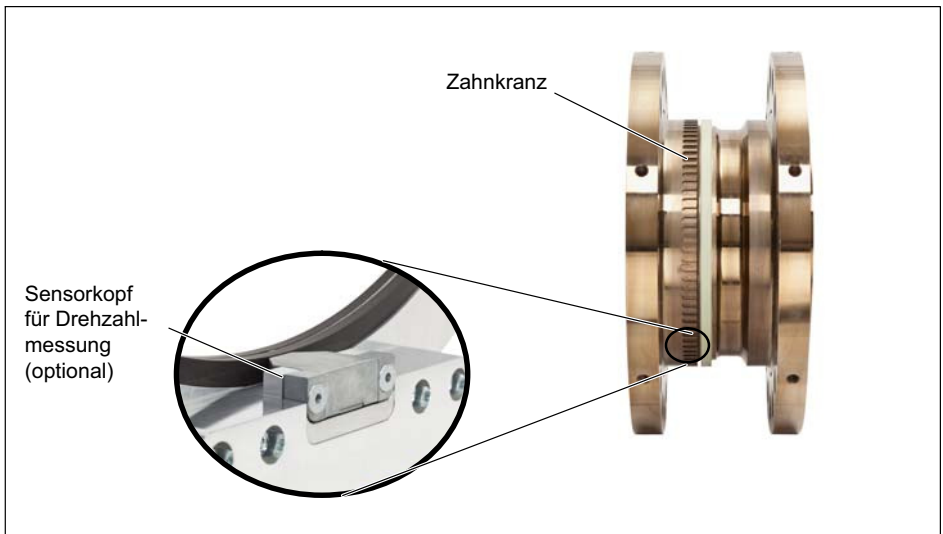


Abb. 5.10 Drehmomentenempfänger mit Drehzahlmessung (optional)



### Wichtig

Das Drehzahlmesssystem verwendet ein magnetisches Messprinzip. Treffen Sie bei Anwendungen, bei denen hohe magnetische Feldstärken auftreten können, z. B. bei Wirbelstrombremsen, geeignete Maßnahmen, damit die maximal zulässige magnetische Feldstärke nicht überschritten wird (siehe Kapitel 15 „Technische Daten“, Seite 69).

### **Ausrichtung Stator (Drehzahlmesssystem)**

Für den einwandfreien Messbetrieb muss der Drehzahl-  
sensor an einer definierten Stelle zum Zahnkranz des  
Rotors positioniert werden. Bei exakter radialer und  
axialer Ausrichtung des Stators zur Drehmoment-  
messung ist auch das Drehzahlmesssystem richtig aus-  
gerichtet.

Axiale Ausrichtung:

Werkseiteig ist der Sensorkopf des Drehzahlmess-  
systems so justiert, dass sich bei exakt axial ausgerichte-  
tem Stator (Antennenring liegt genau über der Über-  
tragerwicklung des Rotors) der Drehzahlsensor sich in  
der richtigen Position zum Zahnkranz des Rotors  
befindet.

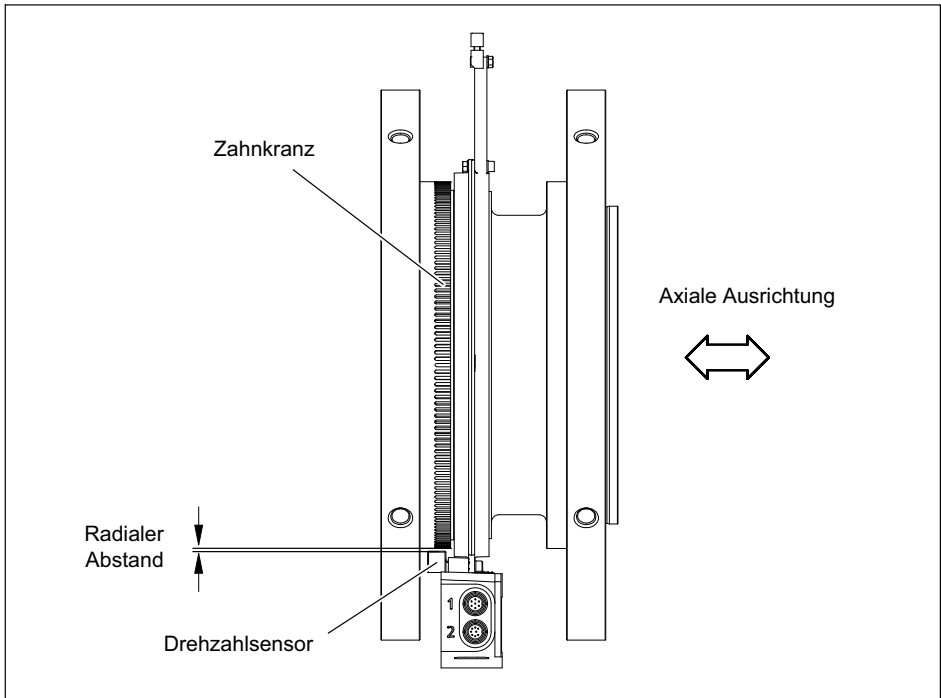


Abb. 5.11 Seitenansicht

#### Radiale Ausrichtung:

Rotorachse und Achse des Drehzahlsensors müssen in einer Linie rechtwinklig zur Statorplattform stehen. Für die radiale Ausrichtung ist der radiale Nennabstand maßgebend (siehe Abb. 5.11). Der optimale Abstand beträgt 2,5 mm und wird erreicht, wenn Rotor und Stator exakt radial zueinander ausgerichtet sind.

## 6 Elektrischer Anschluss

### 6.1 Allgemeine Hinweise

- Achten Sie bei Kabelverlängerungen auf eine einwandfreie Verbindung mit geringstem Übergangswiderstand und guter Isolation.
- Alle Kabel-Steckverbindungen oder Überwurfmuttern müssen fest angezogen werden.



#### **Wichtig**

*Aufnehmer-Anschlusskabel von HBM mit montierten Steckern sind ihrem Verwendungszweck entsprechend gekennzeichnet (Md oder n). Beim Kürzen der Kabel, Einziehen in Kabelkanälen oder Verlegen in Schaltschränken kann diese Kennzeichnung verloren gehen oder verdeckt sein. Kennzeichnen Sie daher die Kabel in diesen Fällen vor der Verlegung.*

### 6.2 EMV-Schutz



#### **Wichtig**

*Die Aufnehmer sind gemäß EG-Richtlinien EMV-geprüft und mit einer CE-Zertifizierung gekennzeichnet. Sie müssen jedoch den Schirm des Anschlusskabels am schirmenden Gehäuse der Elektronik anschließen, um den EMV-Schutz der Messkette zu erreichen.*



Die Signalübertragung zwischen Übertragerkopf und Rotor erfolgt rein digital und ist durch spezielle elektronische Kodierungsverfahren gegen elektromagnetische Beeinflussungen geschützt.

Der Kabelschirm wird mit dem Aufnehmergehäuse verbunden. Dadurch ist das Messsystem (ohne Rotor) von einem Faradayschen Käfig umschlossen, wenn die Schirmung an beiden Kabelenden flächig aufgelegt wird. Sehen Sie bei anderen Anschlusstechniken im Litzenbereich eine EMV-feste Abschirmung vor, bei der ebenfalls die Schirmung flächig aufgelegt ist (*siehe auch HBM-Greenline-Information, Druckschrift i1577*).

Elektrische und magnetische Felder verursachen oft eine Einkopplung von Störspannungen in den Messkreis. Deshalb:

- Verwenden Sie nur abgeschirmte, kapazitätsarme Messkabel (HBM-Kabel erfüllen diese Bedingungen).
- Verwenden Sie ausschließlich Stecker, die den EMV-Richtlinien entsprechen.
- Legen Sie die Messkabel nicht parallel zu Starkstrom- und Steuerleitungen. Falls das nicht möglich ist, schützen Sie das Messkabel, z. B. durch Stahlpanzerrohre.
- Meiden Sie Streufelder von Trafos, Motoren und Schützen.
- Erden Sie Aufnehmer, Verstärker und Anzeigegerät nicht mehrfach.
- Schließen Sie alle Geräte der Messkette an den gleichen Schutzleiter an.
- Falls Störungen durch Potenzialunterschiede (Ausgleichsströme) auftreten, trennen Sie am Messverstärker die Verbindungen zwischen Versorgungsspannungnull und Gehäusemasse und legen Sie

eine Potenzialausgleichsleitung zwischen Statorgehäuse und Messverstärkergehäuse (Kupferleitung, mindestens 10 mm<sup>2</sup> Leitungsquerschnitt).

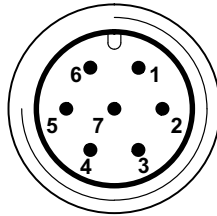
- Sollten Potenzialunterschiede zwischen Rotor und Stator der Maschine auftreten, z. B. durch unkontrolliertes Ableiten, hilft meist das eindeutige Erden des Rotors z. B. mittels Schleifer. Der Stator muss auf das gleiche (Erd-)Potential gelegt werden.

### **6.3 Steckerbelegung Option 4, Code SU2, DU2, HU2**

Am Statorgehäuse befinden sich zwei 7-polige Stecker, ein 8-poliger und ein 16-poliger Stecker.




Die Anschlüsse der Versorgungsspannung und des Shuntsignals der Stecker 1 und 3 sind jeweils miteinander galvanisch verbunden aber mit Dioden gegen Ausgleichsströme geschützt. Die Anschlüsse der Versorgungsspannung sind zusätzlich mit einer selbststrückstellenden Sicherung (Multifuse) gegen Überlast durch den Stator geschützt.

## Belegung Stecker 1 - Versorgungsspannung und Frequenz-Ausgangssignal



Gerätestecker

Draufsicht

		KAB153	KAB149	KAB178 <sup>1)</sup>
Stecker Pin	Belegung	Aderfarbe	D-SUB-Stecker Pin	HD-SUB-Stecker Pin
1	Messsignal Drehmoment (Frequenzausgang; 5 V <sup>2,3</sup> )	ws	13	5
2	Versorgungsspannung 0 V 	sw	5	-
3	Versorgungsspannung 18 V ... 30 V	bl	6	-
4	Messsignal Drehmoment (Frequenzausgang; 5 V <sup>2,3</sup> )	rt	12	10
5	Messsignal 0 V; symmetrisch 	gr	8	6
6	Shuntsignal-Auslösung 5 V ... 30 V	gn	14	15
7	Shuntsignal 0 V 	gr	8	
	Schirm an Gehäusemasse			

1) Brücke zwischen 4 +9

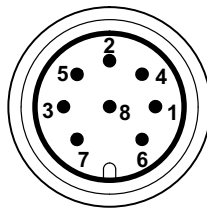
2) Komplementäre Signale RS-422; ab 10 m Kabellänge empfehlen wir einen Abschlusswiderstand mit  $R = 120 \text{ Ohm}$  zwischen den Adern (ws) und (rt).

3) RS-422: Pin 1 entspricht A, Pin 4 entspricht B.

**Hinweis**

Die Drehmoment-Messflansche sind nur für den Betrieb mit DC-Versorgungsspannung vorgesehen. Sie dürfen nicht an ältere HBM-Messverstärker mit Rechteck-Speisung angeschlossen werden. Hier könnte es zur Zerstörung von Widerständen der Anschlussplatte bzw. anderen Fehlern in den Messverstärkern kommen.

**Belegung Stecker 2 - Drehzahl-Messsystem**



Gerätestecker  
Draufsicht

Stecker Pin	Belegung	KAB154	KAB150	KAB179 <sup>1)</sup>
		Aderfarbe	D-SUB-Stecker Pin	HD-SUB-Stecker Pin
1	Messsignal Drehzahl <sup>2)</sup> (Impulsfolge, 5 V; 0°)	rt	12	10
2	Nicht belegt	bl	-	-
3	Messsignal Drehzahl <sup>2)</sup> (Impulsfolge, 5 V; um 90° phasenverschoben)	gr	15	8
4	Nicht belegt	sw	-	-
5	Nicht belegt	vi	-	-
6	Messsignal Drehzahl <sup>2)</sup> (Impulsfolge, 5 V; 0°)	ws	13	5
7	Messsignal Drehzahl <sup>2)</sup> (Impulsfolge, 5 V; um 90° phasenverschoben)	gn	14	7

		KAB154	KAB150	KAB179 <sup>1)</sup>
Stecker Pin	Belegung	Aderfarbe	D-SUB-Stecker Pin	HD-SUB-Stecker Pin
8	Betriebsspannungnull	sw/bl <sup>3)</sup>	8	6
	Schirm an Gehäusemasse			

- 1) Brücke zwischen 4 + 9
- 2) Komplementäre Signale RS-422; ab 10 m Kabellänge empfehlen wir einen Abschlusswiderstand mit  $R = 120 \text{ Ohm}$ .
- 3) Bei KAB163 / KAB164 Aderfarbe braun (bn)

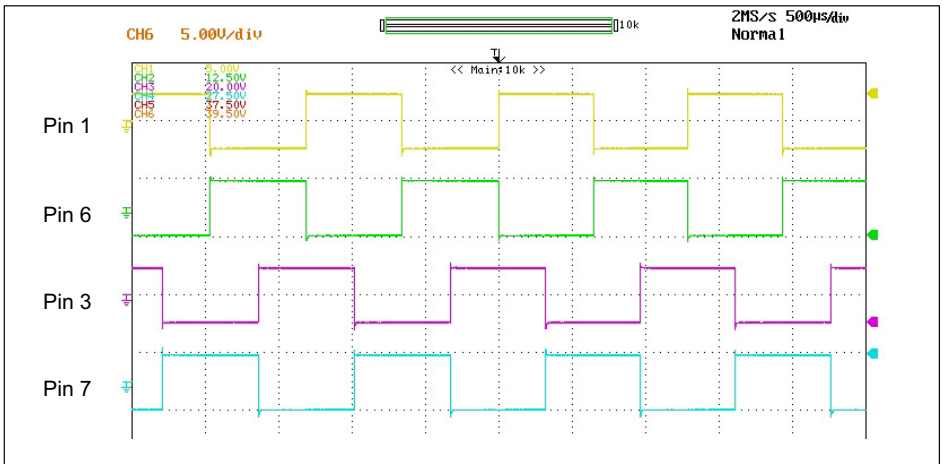


Abb. 6.1 Drehzahlssignale an Stecker 2 (Drehzahl in Pfeilrichtung)

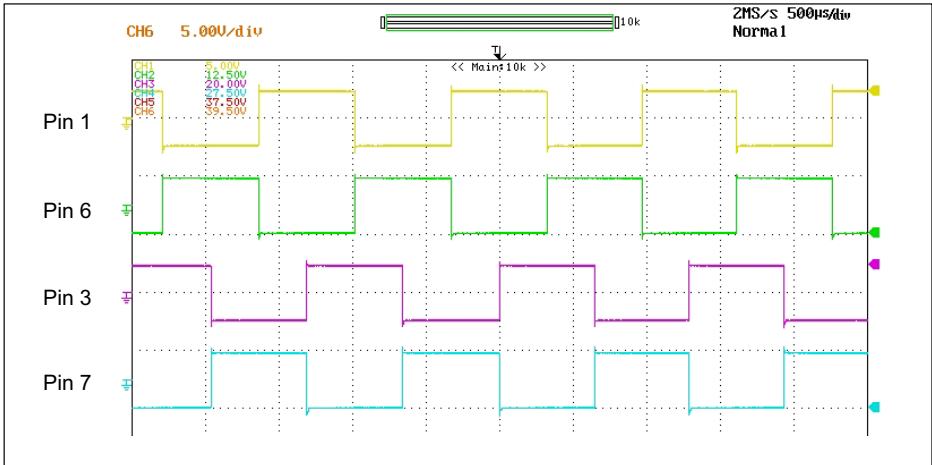


Abb. 6.2 Drehzahlsignale an Stecker 2 (Drehzahl gegen Pfeilrichtung)

### Belegung Stecker 3 - Spannungsversorgung und Spannungs-Ausgangssignal

Gerätestecker	Stecker Pin	Belegung	Aderfarbe
<p>Draufsicht</p>	1	Messsignal Drehmoment (Spannungsausgang; $\pm 10$ V)	ws
	2	Versorgungsspannung 0 V;	sw
	3	Versorgungsspannung 18 V ... 30 V	bl
	4	Messsignal Drehmoment (Spannungsausgang $\pm 10$ V)	rt
	5	Nicht belegt	gr
	6	Shuntsignal-Auslösung 5 V ... 30 V	gn
	7	Shuntsignal 0 V;	gr
			Schirm an Gehäusemasse

## Belegung Stecker 4

TMC - nur für HBM-interne Verbindung zu den Torque-Interface-Modulen der TIM-Familie.

## 6.4 Steckerbelegung Option 3, Code PNJ


Binder 723  Draufsicht	Stecker Pin	Belegung	Aderfarbe
		1	Messsignal (+) UA
	2	Brückenspeisespannung (-) UB und TEDS	sw
	3	Brückenspeisespannung (+) UB	bl
	4	Messsignal (-) UA	rt
	5	Nicht belegt	-
	6	Fühlerleitung (+)	gn
	7	Fühlerleitung (-) und TEDS	gr
		Schirm an Gehäusemasse	

## 6.5 Versorgungsspannung (SU2, DU2, HU2)

Der Aufnehmer wird mit einer Schutzkleinspannung (Nenn-Versorgungsspannung 18 ... 30 V<sub>DC</sub>) betrieben. Sie können einen oder mehrere Drehmoment-Messflansche innerhalb eines Prüfstandes gleichzeitig versorgen. Treffen Sie zusätzliche Vorkehrungen für die Ableitung von Überspannungen, falls Sie das Gerät an einem Gleichspannungsnetz<sup>1)</sup> betreiben möchten.

Die Hinweise dieses Kapitels beziehen sich auf den autarken Betrieb des T40FH ohne HBM-Systemlösungen.

<sup>1)</sup> Verteilsystem für elektrische Energie mit einer größeren räumlichen Ausdehnung (z. B. über mehrere Prüfstände) das eventuell auch Verbraucher mit großen Nennströmen versorgt.

Die Versorgungsspannung ist von den Signalausgängen und den Shuntsignal-Eingängen galvanisch getrennt. Schließen Sie eine Schutzkleinspannung von 18 V ... 30 V an Pin 3 (+) und Pin 2 () der Stecker 1 oder 3 an. Wir empfehlen, das HBM-Kabel KAB 8/00-2/2/2 und entsprechende Buchsen zu verwenden (*siehe Zubehör, Seite 67*). Das Kabel darf bei Spannungen  $\geq 24$  V bis zu 50 m, ansonsten bis zu 20 m lang sein.

Wird die zulässige Kabellänge überschritten, können Sie die Versorgungsspannung über zwei Anschlusskabel (Stecker 1 und 3) parallel zuführen. Damit erreichen Sie eine Verdoppelung der zulässigen Länge. Installieren Sie andernfalls ein Netzteil vor Ort.



### Wichtig

*Im Einschaltmoment kann ein Strom von bis zu 4 A fließen und damit Netzteile mit elektronischer Strombegrenzung ausschalten.*

## 6.6 Versorgungsspannung (Option 3, Code PNJ)

Als Zubehör ist ein konfektioniertes 6-adriges Aufnehmer-Anschlusskabel mit freien Enden erhältlich. Verlängerungskabel sollten geschirmt und kapazitätsarm sein. HBM bietet hierfür speziell die Kabel 1-KAB0304A-10 (konfektioniert) und KAB8/00-2/2/2 (Meterware) an.

Die Anschlussbelegung entnehmen Sie bitte der Tabelle im Kapitel 6.4.

Die Anschlussbelegungen verstärkerseitig entnehmen Sie bitte den Unterlagen des jeweiligen Verstärkers.



## 7 **Aufnehmer-Identifikation TEDS (Option 3, Code PNJ)**

TEDS steht für "Transducer Electronic Data Sheet". Im Aufnehmer kann ein elektronisches Datenblatt nach der Norm IEEE1451.4 gespeichert werden, welches das automatische Einstellen des Messverstärkers ermöglicht. Ein entsprechend ausgestatteter Messverstärker liest die Kenndaten des Aufnehmers aus, übersetzt diese in eigene Einstellungen und die Messung kann gestartet werden.

Am Steckeranschluss PIN 7 gegen PIN 2 steht das digitale Identifikationssystem zur Verfügung. Zum Einspeichern der Daten dient der TEDS-Editor von HBM. Dieser ist Bestandteil der HBM-Software "MGCplus-Setup-Assistent". Mit dem Editor können Sie verschiedene Benutzerrechte verwalten und so die grundlegenden Aufnehmerdaten gegen versehentliches Überschreiben schützen.

### 7.1 **Hierarchie der Nutzerrechte**

#### 7.1.1 **Standardrechte (Stufe USR)**

Diese Stufe betrifft Rechte, die der Anwender des Aufnehmers braucht, um Einträge zu ändern, die vom Einsatzfall abhängen.

### **7.1.2 Kalibrierrechte (Stufe CAL)**

Diese Stufe betrifft Rechte, die z. B. ein Kalibrierlabor benötigt, wenn der Kennwert im TEDS-Speicher geändert werden soll.

### **7.1.3 Administratorrechte (Stufe ID)**

Administratorrechte in Bezug auf TEDS sind für den Sensorhersteller vorgesehen.

Zum Ändern der unterschiedlichen Einträge in den Templates sind unterschiedliche Nutzerrechte erforderlich, die sich auch von Eintrag zu Eintrag innerhalb eines Templates unterscheiden können.

## **7.2 Inhalt des TEDS-Speicher nach IEEE 1451.4**

Die Informationen im TEDS-Speicher sind in Bereiche organisiert, in denen die Ablage bestimmter Gruppen von Daten in Tabellenform vorstrukturiert ist.

Im TEDS-Speicher selbst sind nur die eingetragenen Werte gespeichert. Die Zuordnung, wie der jeweilige Zahlenwert zu interpretieren ist, erfolgt durch die Firmware des Messverstärkers. Dadurch ist der Speicherbedarf im TEDS-Speicher sehr gering. Der Speicherinhalt ist in 3 Bereiche unterteilt:

### **Bereich 1**

Eine weltweit eindeutige TEDS-Identifikationsnummer (nicht änderbar).

### Bereich 2

Der Basisbereich (Basic TEDS) dessen Aufbau durch die Norm IEEE 1451.4 definiert ist. Hier stehen Aufnehmer-typ, Hersteller und Seriennummer des Aufnehmers.

Beispiel:

Inhalt TEDS mit der Identitätsnummer für den Sensor T40FH/150 kN·m mit der Serien-Nr. 123456, hergestellt im November 2005

TEDS	
Manufacturer	HBM
Model	T40FH
Version letter	
Version number	
Serial number	123456

### Bereich 3

In diesem Bereich stehen Daten, die der Hersteller bzw. Anwender festlegt.

Für den Drehmoment-Messflansch T40FH hat HBM bereits das Template *Bridge Sensor* und das Template *Channel name* beschrieben.

Weitere Templates wie z. B. das Template *Signal Conditioning* können vom

Anwender zusätzlich beschrieben werden.

<b>Template: Bridge Sensor</b>				
<b>Parameter</b>	<b>Wert<sup>1)</sup></b>	<b>Einheit</b>	<b>Erforderl. Nutzerrechte</b>	<b>Erklärung</b>
Transducer Electrical Signal Type	Bridge Sensor		ID	
Minimum Torque	0.000	N · m	CAL	Physikalische Messgröße und Einheit werden beim Anlegen des Templates definiert und sind dann nicht mehr änderbar.
Maximum Torque	150000	N · m	CAL	
Minimum Electrical Value	0.0000m	V/V	CAL	Differenz dieser Werte ist der Kennwert laut HBM Prüfprotokoll oder aus Kalibrierung
Maximum Electrical Value	1.8245m	V/V	CAL	
Mapping Method	Linear			Dieser Eintrag kann nicht geändert werden
Bridge type	Full		ID	Brückentyp. "Full" für Vollbrücke.
Impedance of each bridge element	1550+-100	Ohm	ID	Eingangswiderstand laut HBM-Datenblatt
Response Time	1.0000000u	s	ID	Für HBM-Aufnehmer bedeutungslos
Excitation Level (Nominal)	5.0	V	ID	Nennspeisespannung laut HBM-Datenblatt
Excitation Level (Minimum)	2.5	V	ID	Untergrenze des Gebrauchsbereichs der Speisespannung laut HBM-Datenblatt

<b>Template: Bridge Sensor</b>				
<b>Parameter</b>	<b>Wert<sup>1)</sup></b>	<b>Einheit</b>	<b>Erforderl. Nutzerrechte</b>	<b>Erklärung</b>
Excitation Level (Maximum)	12.0	V	ID	Obergrenze des Gebrauchsbereichs der Speisespannung laut HBM-Datenblatt
Calibration Date	1-Nov-2005	CAL		Datum der letzten Kalibrierung bzw. Erstellung des Prüfprotokolls (wenn keine Kalibrierung durchgeführt), bzw. der Einspeicherung der TEDS-Daten (wenn lediglich Datenblatt-Nennwerte verwendet wurden).  Format: Tag-Monat-Jahr.  Kürzel für die Monate: Jan, Feb, Mrz, Apr, Mai, Jun, Jul, Aug, Sep, Okt, Nov, Dez.
Calibration Initials	HBM		CAL	Initialen des Kalibrierers bzw. der durchführenden Stelle der Kalibrierung.

Template: Bridge Sensor				
Parameter	Wert <sup>1)</sup>	Einheit	Erforderl. Nutzerrechte	Erklärung
Calibration Period (Days)	730	days	CAL	Frist für die Rekalibrierung, zu rechnen ab dem unter Calibration Date angegebenen Datum.
Measurement location ID	0		USR	Identifikationsnummer für die Messstelle.  Kann anwendungsabhängig vergeben werden. Mögliche Werte: eine Zahl von 0 bis 2047. Wenn das nicht ausreicht, kann für diesen Zweck auch das HBM-Template  Channel Comment eingesetzt werden.

1) Beispielhafte Werte für einen HBM-Drehmoment-Messflansch T40FH/150 kN · m

Template: HBM Channel Name	
Channel name	T40FH/150 kNm

Beim Anlegen des Templates *Bridge Sensor* durch den Hersteller werden physikalische Messgröße und physikalische Einheit festgelegt.

Die verfügbare Einheit ist in der IEEE-Norm für die jeweilige Messgröße festgelegt. Dies ist für die Messgröße Drehmoment die Einheit "N · m".

Weiter ist bereits beim Anlegen zwischen den Varianten "Full precision", "mV/V" und "uV/V" für die Genauigkeit der in TEDS abgebildeten Aufnehmerkennlinie zu wählen.

Werkseinstellung ist "Full Precision" um die volle digitale Auflösung nutzen zu können. Diese Wahl empfehlen wir auch Anwendern, die den TEDS-Speicher selbst programmieren.

## 8 Shuntsignal


Der Drehmoment-Messflansch T40FH liefert ein elektrisches Shuntsignal, das bei Messketten mit HBM-Komponenten vom Verstärker aus aktiviert werden kann. Der Aufnehmer erzeugt ein Shuntsignal von ca. 50 % des Nenn Drehmoments, der genaue Wert ist auf dem Typenschild vermerkt. Stellen Sie nach der Aktivierung das Verstärkerausgangssignal auf das Shuntsignal des angeschlossenen Aufnehmers ein, ist der Messverstärker an den Aufnehmer angepasst.



### Information

*Beim Messen des Shuntsignals sollte der Aufnehmer unbelastet sein, da das Shuntsignal additiv aufgeschaltet wird.*

### Auslösen des Shuntsignals

Durch Anlegen einer Schutzkleinspannung von 5 ... 30 V an Pin 6 (+) und 7 () am Stecker 1 oder 3 wird das Shuntsignal ausgelöst.

Die Nennspannung für das Auslösen des Shuntsignals beträgt 5 V (Auslösen bei  $U > 2,5 \text{ V}$ ), bei Spannungen kleiner 0,7 V ist der Aufnehmer im Messbetrieb. Die maximal zulässige Spannung beträgt 30 V, bei Nennspannung beträgt die Stromaufnahme ca. 2 mA, bei Maximalspannung ca. 18 mA. Spannung für das Auslösen des Shuntsignals ist galvanisch von der Versorgungs- und der Messspannung getrennt.



**Tipp**

*Bei HBM-Systemlösungen kann das Shuntsignal vom Messverstärker bzw. über die Bedien-Software ausgelöst werden.*

## 9 Funktionsprüfung

Durch LEDs am Stator kann die Funktion von Rotor und Stator überprüft werden.

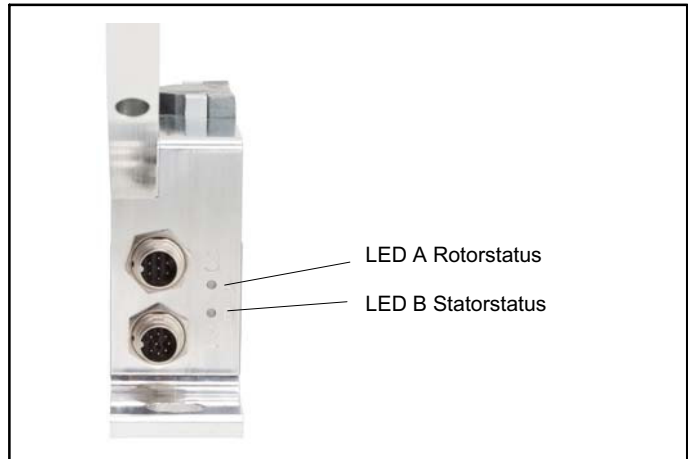


Abb. 9.1 LEDs am Statorgehäuse



### Wichtig

*Der Drehmomentaufnehmer benötigt nach Anlegen der Versorgungsspannung noch bis zu 4 Sekunden, bevor er betriebsbereit ist.*

## 9.1 Rotorstatus, LED A (obere LED)

Farbe	Bedeutung
Grün (pulsierend)	Interne Rotor-Spannungswerte o.k.
Orange blinkend	Fehljustierung von Rotor und Stator (zunehmende Blinkfrequenz zeigt den Grad der Dejustierung an) => Ausrichtung Rotor-Stator korrigieren
Orange pulsierend	Rotorzustand nicht bestimmbar => Ausrichtung Rotor-Stator korrigieren  Falls die LED daraufhin immer noch orange pulsiert, liegt möglicherweise ein Hardwaredefekt vor. Die Messsignale nehmen den Pegel des Fehlerzustands an.
Rot (pulsierend)	Rotor-Spannungswerte nicht in Ordnung. => Ausrichtung Rotor-Stator korrigieren  Falls die LED daraufhin immer noch rot pulsiert, liegt möglicherweise ein Hardwaredefekt vor. Die Messsignale nehmen den Pegel des Fehlerzustands an.

Pulsierend bedeutet, die LED wird pro Sekunde für ca. 20 ms dunkel geschaltet (Lebenssignal); damit ist das Funktionieren des Aufnehmers erkennbar.

## 9.2 Statorstatus, LED B (untere LED)

Farbe	Bedeutung
Grün (dauerhaft leuchtend)	Messsignal-Übertragung und interne Stator-Spannungen o.k.
Grün, zeitweise orange.  Bei vielen Synchronisationsfehlern: dauerhaft orange	Bei fehlerhafter Übertragung von $\geq 5$ Messwerten in Folge bis zum Ende der fehlerhaften Übertragung orange. Die Messsignale nehmen für die Dauer des Übertragungsfehlers + ca. weitere 3,3 ms den Pegel des Fehlerzustands an.

Farbe	Bedeutung
Orange (dauerhaft leuchtend)	Dauerhaft gestörte Übertragung, die Messsignale nehmen den Pegel des Fehlerzustands an. ( $f_{out} = 0 \text{ Hz}$ , $U_{out} = \text{Fehlerlevel}$ ).  => Ausrichtung Rotor-Stator korrigieren.
Rot (dauerhaft leuchtend)	Interner Statorfehler, die Messsignale nehmen den Pegel des Fehlerzustands an ( $f_{out} = 0 \text{ Hz}$ , $U_{out} = \text{Fehlerlevel}$ ).

## 10 Belastbarkeit

Das Nenndrehmoment darf statisch bis zum Grenzdrehmoment überschritten werden. Wird das Nenndrehmoment überschritten, sind weitere irreguläre Belastungen nicht zulässig. Hierzu zählen Längskräfte, Querkräfte und Biegemomente. Die Grenzwerte finden Sie im *Kapitel 15 „Technische Daten“ auf Seite 69*.

### Messen dynamischer Drehmomente

Der Drehmoment-Messflansch eignet sich zum Messen statischer und dynamischer Drehmomente. Beim Messen dynamischer Drehmomente ist zu beachten:

- Die für statische Messungen durchgeführte Kalibrierung des T40FH gilt auch für dynamische Drehmomentmessungen.
- Die Eigenfrequenz  $f_0$  der mechanischen Messanordnung hängt von den Trägheitsmomenten  $J_1$  und  $J_2$  der angeschlossenen Drehmassen sowie der Drehsteifigkeit des T40FH ab.

Die Eigenfrequenz  $f_0$  der mechanischen Messanordnung lässt sich aus folgender Gleichung überschlägig bestimmen:

$$f_0 = \frac{1}{2\pi} \cdot \sqrt{c_T \cdot \left( \frac{1}{J_1} + \frac{1}{J_2} \right)}$$

$f_0$	=	Eigenfrequenz in Hz
$J_1, J_2$	=	Massenträgheitsmoment in kg·m <sup>2</sup>
$c_T$	=	Drehsteifigkeit in N·m/rad

- Die zulässige mechanische Schwingbreite (Spitze-Spitze) finden Sie ebenfalls in den technischen Daten.

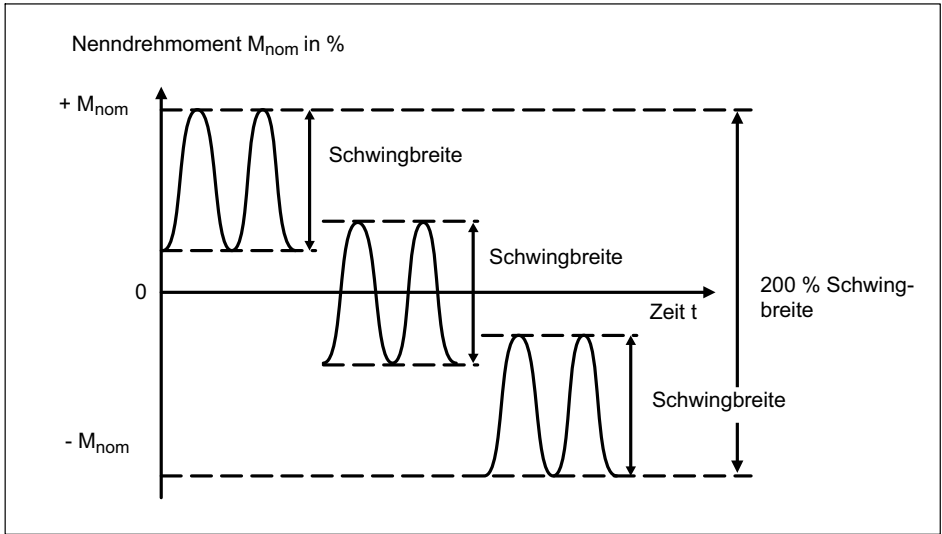


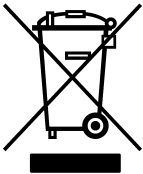
Abb. 10.1 Zulässige dynamische Belastung

## 11 **Wartung**

Die Drehmoment-Messflansche T40FH sind wartungsfrei.

## 12 Entsorgung und Umweltschutz

Alle elektrischen und elektronischen Produkte müssen als Sondermüll entsorgt werden. Die ordnungsgemäße Entsorgung von Altgeräten beugt Umweltschäden und Gesundheitsgefahren vor.



### **Gesetzlich vorgeschriebene Kennzeichnung zur Entsorgung**

Elektrische und elektronische Geräte, die dieses Symbol tragen, unterliegen der europäischen Richtlinie 2002/96/EG über elektrische und elektronische Altgeräte. Das Symbol weist darauf hin, dass nicht mehr gebrauchsfähige Altgeräte gemäß den europäischen Vorschriften für Umweltschutz und Rohstoffrückgewinnung getrennt von regulärem Hausmüll zu entsorgen sind.

Da die Entsorgungsvorschriften von Land zu Land unterschiedlich sind, bitten wir Sie, im Bedarfsfall Ihren Lieferanten anzusprechen, welche Art von Entsorgung oder Recycling in Ihrem Land vorgeschrieben ist.

### **Verpackungen**

Die Originalverpackung der HBM-Geräte besteht aus recyclebarem Material und kann der Wiederverwertung zugeführt werden. Bewahren Sie die Verpackung jedoch mindestens für den Zeitraum der Gewährleistung auf. Bei Reklamationen muss der Drehmoment-Messflansch in der Originalverpackung zurückgesandt werden.

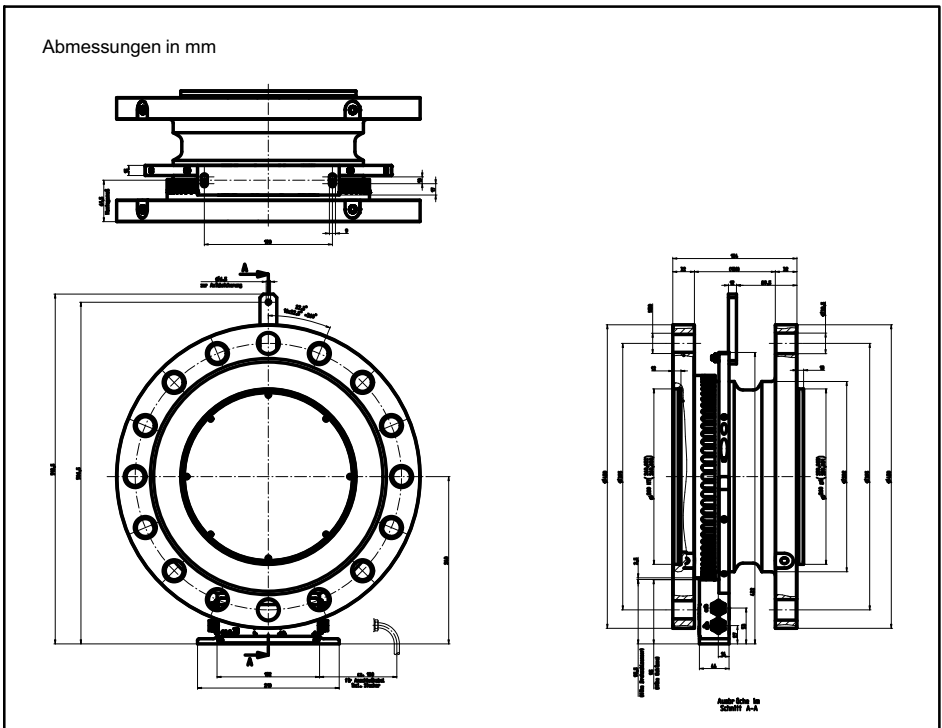
Aus ökologischen Gründen sollte auf den Rücktransport der leeren Verpackungen an uns verzichtet werden.



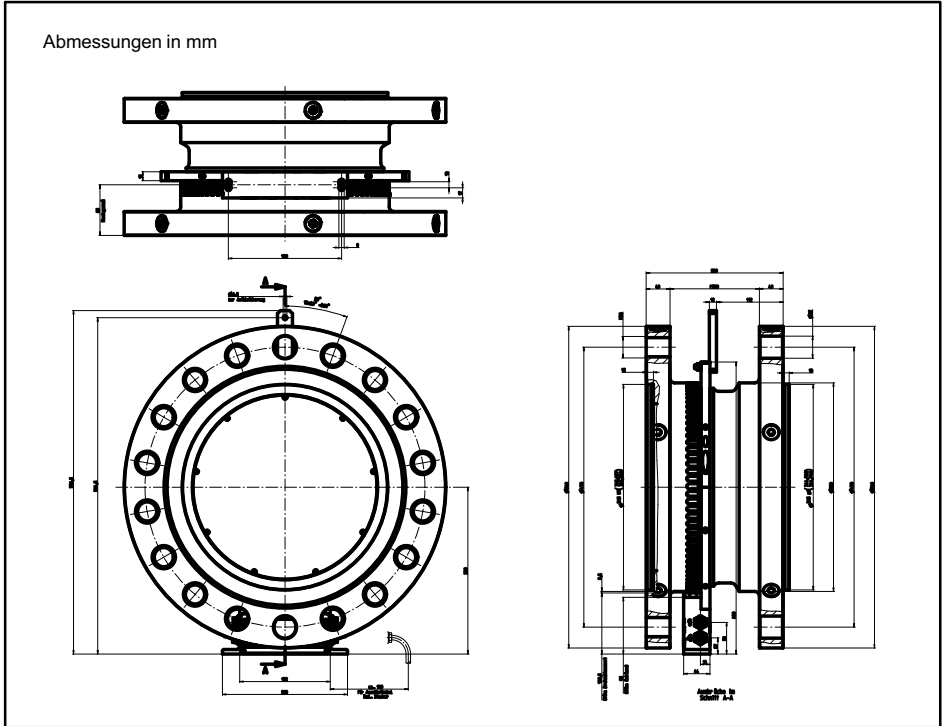
## 13 Abmessungen

### 13.1 T40FH Drehmomentaufnehmer mit Drehzahlmesssystem, Option 4, Code SU2, DU2, HU2

#### 13.1.1 T40FH 100 kNm - 150 kNm

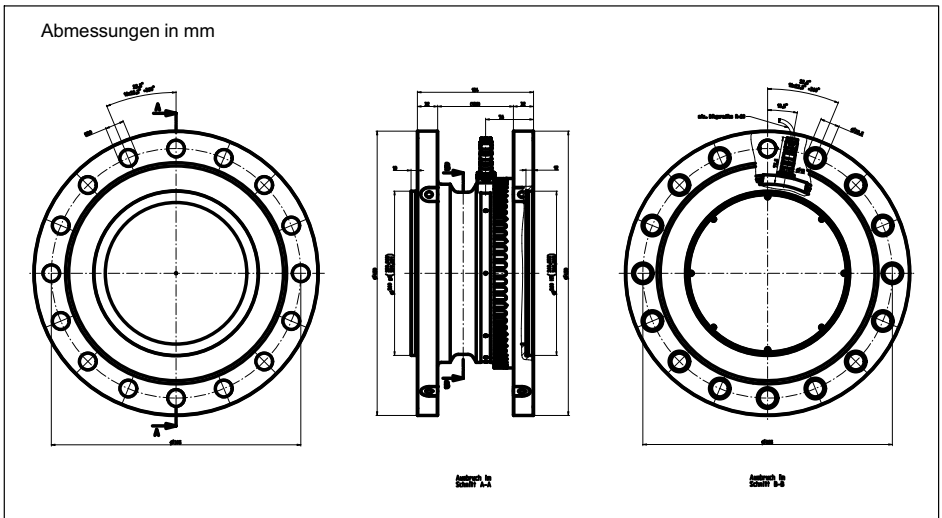


13.1.2 T40FH 200 kNm - 300 kNm

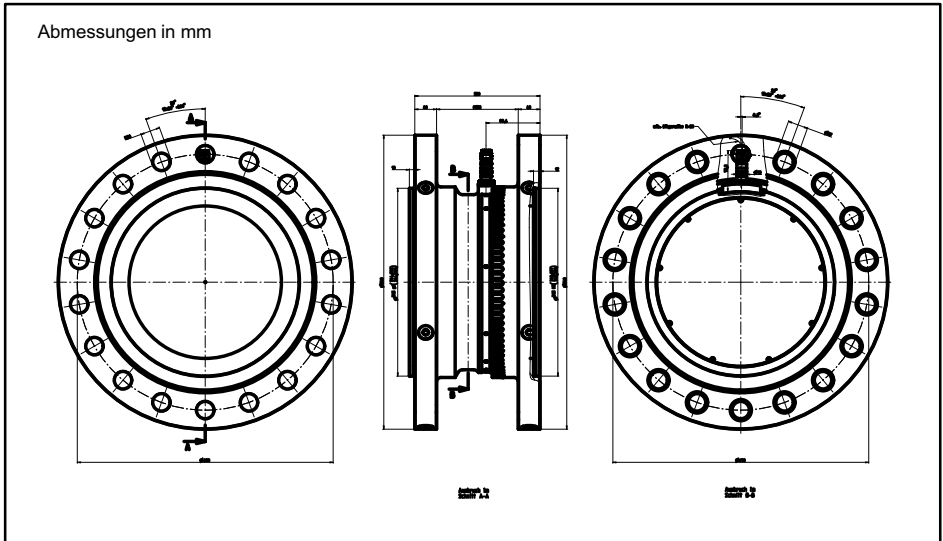


## 13.2 T40FH Drehmomentaufnehmer (nicht drehend), Option 4, Code PNJ

### 13.2.1 T40FH 100 kNm - 150 kNm



13.2.2 T40FH 200 kNm - 300 kNm



# 14 Bestellnummern, Zubehör

Bestell-Nr.	
<b>K-T40FH</b>	[nur mit Option 2 = MF/ST]
Code	Option 1: Messbereich bis
<b>100R</b>	100 kN·m [nur mit Option 2 = MF/RO]
<b>130R</b>	130 kN·m [nur mit Option 2 = MF/RO]
<b>150R</b>	150 kN·m [nur mit Option 2 = MF/RO]
<b>200R</b>	200 kN·m [nur mit Option 2 = MF/RO]
<b>250R</b>	250 kN·m [nur mit Option 2 = MF/RO]
<b>300R</b>	300 kN·m [nur mit Option 2 = MF/RO]
Code	Option 2: Komponente
<b>MF</b>	Messflansch komplett
<b>RO</b>	Rotor
<b>ST</b>	Stator
<b>N</b>	Nicht rotierend
Code	Option 3: Genauigkeit
<b>S</b>	Standard (Linearitätsabweichung einschl. Hysterese $\leq \pm 0,1\%$ )
Code	Option 4: Elektrische Konfiguration [nur mit Option 2 = MF/ST]
<b>SU2</b>	Ausg.sign. 10 kHz $\pm 5$ kHz und $\pm 10$ V, Versorg.sp. 18...30 V DC
<b>DU2</b>	Ausg.sign. 60 kHz $\pm 30$ kHz und $\pm 10$ V, Versorg.sp. 18...30 V DC
<b>HU2</b>	Ausg.sign. 240 kHz $\pm 120$ kHz u. $\pm 10$ V, Versorg.sp. 18...30 V DC
<b>PNJ</b>	mV/V
Code	Option 5: Drehzahlmesssystem
<b>0</b>	Ohne Drehzahlmesssystem
<b>1</b>	Magnetisches Drehzahlmesssystem
Code	Option 6: Kundenspezifische Modifikation
<b>S</b>	Keine kundenspezifische Modifikation

= VORZUGSTYPEN

K-T40FH - 1 0 0 R - M F - S - D U 2 - 0 - S

### Zubehör, zusätzlich zu beziehen

Artikel	Bestell-Nr.
<b>Anschlusskabel für Drehmoment-Ausgang</b>	
Anschlusskabel Drehmoment, 423 - D-Sub 15P, 6 m	1-KAB149-6
Anschlusskabel Drehmoment, 423 - freie Enden, 6 m	1-KAB153-6
<b>Anschlusskabel für Drehzahl-Ausgang</b>	
Anschlusskabel Drehzahl, 423 - D-Sub 15P, 6 m	1-KAB150-6
Anschlusskabel Drehzahl, 423 - freie Enden, 6 m	1-KAB154-6
Anschlusskabel Drehzahl mit Referenzimpuls, 423 8-polig - D-Sub 15P, 6 m	1-KAB163-6
Anschlusskabel Drehzahl mit Referenzimpuls, 423 8-polig - freie Enden, 6 m	1-KAB164-6
<b>Anschlusskabel TMC</b>	
Anschlusskabel TIM40/TMC, 6 m	1-KAB174-6
<b>Kabelbuchsen</b>	
423G-7S, 7-polig (gerade)	3-3101.0247
423W-7S, 7-polig (Winkel)	3-3312.0281
423G-8S, 8-polig (gerade)	3-3312.0120
423W-8S, 8-polig (Winkel)	3-3312.0282
<b>Anschlusskabel, Meterware (Mindestbestellmenge: 10 m, Preis pro Meter)</b>	
Kab8/00-2/2/2	4-3301.0071

## 15 Technische Daten

Genauigkeitsklasse		0.1					
<b>Drehmoment-Messsystem (drehend)</b>							
Nenndrehmoment $M_{nom}$	kNm	100	125	150	200	250	300
Nenndrehzahl	min <sup>-1</sup>	3000			2000		
<b>Linearitätsabweichung einschließlich Hysterese,</b> bezogen auf den Nennkennwert  Frequenzausgang Für ein max. Drehmoment im Bereich:							
Zwischen 0% v. $M_{nom}$ und 20% v. $M_{nom}$					≤±0,03		
> 20% v. $M_{nom}$ und 60% v. $M_{nom}$					≤±0,065		
> 60% v. $M_{nom}$ und 100% v. $M_{nom}$					≤±0,1		
Spannungsausgang Für ein max. Drehmoment im Bereich:							
Zwischen 0% v. $M_{nom}$ und 20% v. $M_{nom}$					≤±0,03		
> 20% v. $M_{nom}$ und 60% v. $M_{nom}$					≤±0,065		
> 60% v. $M_{nom}$ und 100% v. $M_{nom}$					≤±0,1		
<b>Rel. Standardabweichung der Wiederholbarkeit,</b> nach DIN 1319, bezogen auf die Ausgangssignaländerung							
Frequenzausgang					≤±0,02		
Spannungsausgang					≤±0,02		
<b>Temperatureinfluss pro 10 K im Nenntemperaturbereich</b>  auf das Ausgangssignal, bezogen auf den Istwert der Signalspanne							
Frequenzausgang					≤±0,1		
Spannungsausgang					≤±0,1		

Neundrehmoment $M_{nom}$	kNm	100	125	150	200	250	300
auf das Nullsignal, bezogen auf den Nennkennwert							
Frequenzausgang	%	≤±0,07					
Spannungsausgang	%	≤±0,07					
<b>Nennkennwert</b> (Spanne zwischen Drehmoment = Null und Nenndrehmoment)							
Frequenzausgang 10 kHz / 60 kHz / 240 kHz	kHz	5/30/120					
Spannungsausgang	V	10					
<b>Kennwerttoleranz</b> (Abweichung der tatsächlichen Ausgangsgröße bei $M_{nom}$ vom Nennkennwert)							
Frequenzausgang	%	±0,1					
Spannungsausgang	%	±0,1					
<b>Ausgangssignal bei Drehmoment = Null</b>							
Frequenzausgang	kHz	10/60/240					
Spannungsausgang	V	0					
<b>Nennausgangssignal</b>							
Frequenzausgang							
bei positivem Nenndrehmoment	kHz	15 <sup>1)</sup> / 90 <sup>2)</sup> / 360 <sup>3)</sup> (5 V symmetrisch <sup>4)</sup> )					
bei negativem Nenndrehmoment	kHz	5 <sup>1)</sup> / 30 <sup>2)</sup> / 120 <sup>3)</sup> (5 V symmetrisch <sup>4)</sup> )					
Spannungsausgang							
bei positivem Nenndrehmoment	V	+10					
bei negativem Nenndrehmoment	V	-10					
<b>Lastwiderstand</b>							
Frequenzausgang	kΩ	≥2					
Spannungsausgang	kΩ	≥10					



Nenn Drehmoment $M_{nom}$	kNm	100	125	150	200	250	300
<b>Langzeitdrift über 48 h bei Referenztemperatur</b>							
Frequenzausgang	%	$\leq \pm 0,03$					
Spannungsausgang	%	$\leq \pm 0,03$					
<b>Messfrequenzbereich, -3 dB</b>	kHz	$1^1) / 3^2) / 6^3)$					
<b>Gruppenlaufzeit</b>	$\mu$ s	$< 400^1) / < 220^2) / < 150^3)$					
<b>Restwelligkeit</b>							
Spannungsausgang <sup>5)</sup>	mV	$< 40$					
<b>Maximaler Aussteuerbereich <sup>6)</sup></b>							
Frequenzausgang	kHz	$2,5 \dots 17,5^1) / 15 \dots 105^2) / 60 \dots 420^3)$					
Spannungsausgang	V	$-12 \dots +12$					
<b>Energieversorgung</b>							
Nennversorgungsspannung (Schutzkleinspannung DC)	V	$18 \dots 30$					
Stromaufnahme im Messbetrieb	A	$< 1$					
Stromaufnahme im Anlaufbetrieb	A	$< 4$ (typ. 2) $50 \mu$ s					
Nennaufnahmeleistung	W	$< 10$					
Maximale Kabellänge	m	$50$					
<b>Shuntsignal</b>		ca. 50 % von $M_{nom}$					
<b>Toleranz des Shuntsignals, bezogen auf <math>M_{nom}</math></b>	%	$\leq \pm 0,05$					
Nennauslösespannung	V	$5$					
Grenzauslösespannung	V	$36$					
Shuntsignal ein	V	min. $> 2,5$					
Shuntsignal aus	V	max. $< 0,7$					
<b>Drehmoment-Messsystem (nicht drehend)</b>							
<b>Genauigkeitsklasse</b>		$0.1$					

<b>Nenn Drehmoment <math>M_{nom}</math></b>	<b>kNm</b>	<b>100</b>	<b>125</b>	<b>150</b>	<b>200</b>	<b>250</b>	<b>300</b>
<b>Nennkennwert</b> (Nennsignalspanne zwischen Drehmoment = Null und Nenn Drehmoment)	mV/V	0,63.....1,1 (Der Kennwert ist auf dem Typenschild angegeben)					
<b>Linearitätsabweichung einschl. Hysterese, bezogen auf den Nennkennwert (Spannungsausgang)</b> Für ein max. Drehmoment im Bereich:							
Zwischen 0% v. $M_{nom}$ und 20% v. $M_{nom}$	%			$\leq \pm 0,03$			
> 20% v. $M_{nom}$ und 60% v. $M_{nom}$	%			$\leq \pm 0,065$			
> 60% v. $M_{nom}$ und 100% v. $M_{nom}$	%			$\leq \pm 0,1$			
<b>Temperatureinfluss pro 10 K im Nenntemperaturbereich</b>							
auf das Ausgangssignal, bezogen auf den Istwert der Signalspanne	%			$< \pm 0,1$			
auf das Nullsignal, bezogen auf den Nennkennwert	%			$\leq \pm 0,07$			
<b>Relative Standardabweichung der Reproduzierbarkeit</b> (Veränderlichkeit) nach DIN 1319, bezogen auf die Ausgangssignaländerung.	%			$\leq \pm 0,02$			
<b>Eingangswiderstand bei Referenztemperatur</b>	$\Omega$			$1560 \pm 100$			
<b>Ausgangswiderstand bei Referenztemperatur</b>	$\Omega$			$1400 \pm 100$			
<b>Referenzspeisespannung</b>	V			5			
<b>Gebrauchsbereich der Speisespannung</b>				2,5 ... 12			
<b>Aufnehmer-Identifikation</b>				TEDS nach IEEE 1451.4			
<b>Drehzahl-Messsystem</b>							
<b>Messsystem Drehzahl</b>				Magnetische Abtastung und Zahnkranz			
<b>Ausgangssignale</b>				2 Rechtecksignale um 90° phasenverschoben, 5V TTL/RS-422			

Nenn Drehmoment $M_{nom}$	kNm	100	125	150	200	250	300
Anzahl der Impulse pro Umdrehung (Zähnezahl)		72			86		
Ausgangssignalpegel High	V	≥3,5					
Ausgangssignalpegel Low	V	≤0,8					
Maximal zulässige Ausgangs- frequenz	kHz	25					
Radialer Nennabstand zwischen Sensorkopf und den Zähnen	mm	2,5					
Radialer Arbeitsbereich	mm	1,5 – 3,5					
Zulässiger axialer Verschiebeweg	mm	±2					
Zulässige magnetische Feldstärke für Signalabweichungen	kA/m	<0,1					
<b>Allgemeine Angaben</b>							
<b>EMV</b> <b>Emission</b> (nach FCC 47, Teil 15, Unterabteilung C) <sup>7)</sup> <b>Emission</b> (nach EN 61326-1, Abschnitt 7) Funkstörfeldstärke		Klasse B					
<b>Störfestigkeit</b> (EN 61326-1, Tab. 2)							
Elektromagnetisches Feld (AM)	V/m	10					
Magnetisches Feld	A/m	100					
Elektrostat. Entladungen (ESD)							
Kontaktentladung	kV	4					
Luftentladung	kV	8					
Schnelle Transienten (Burst)	kV	1					
Stoßspannungen (Surge)	kV	1					
Leitungsgebundene Störungen (AM)	V	10					
<b>Schutzart nach EN 60 529</b>		IP 54					
<b>Referenztemperatur</b>	°C	23					

Neendrehmoment $M_{nom}$	kNm	100	125	150	200	250	300
<b>Nenntemperaturbereich</b>	°C	+10 ... +70					
<b>Gebrauchstemperaturbereich <sup>8)</sup></b>	°C	-20 ... +85					
<b>Lagerungstemperaturbereich</b>	°C	-40 ... +85					
<b>Mechanischer Schock nach EN 60068-2-27 <sup>9)</sup></b>							
Anzahl	n	1000					
Dauer	ms	3					
Beschleunigung (Halbsinus)	m/s <sup>2</sup>	650					
<b>Schwingbeanspruchung in drei Richtungen nach EN 60068-2-6 <sup>9)</sup></b>							
Frequenzbereich	Hz	10 ... 2000					
Dauer	h	2,5					
Beschleunigung (Amplitude)	m/s <sup>2</sup>	100					
<b>Belastungsgrenzen <sup>10)</sup></b>							
<b>Grenzdrehmoment, bez. auf <math>M_{nom}</math> <sup>11)</sup></b>	kNm	200			400		
<b>Bruchdrehmoment, bez. auf <math>M_{nom}</math> <sup>11)</sup></b>	kNm	>300			>600		
<b>Grenzlängskraft <sup>12)</sup></b>	kN	230			290		
<b>Grenzquerkraft <sup>12)</sup></b>	kN	110			240		
<b>Grenzbiegemoment <sup>12)</sup></b>	N·m	22			35		
<b>Schwingbreite nach DIN 50100 (Spitze/Spitze) <sup>13)</sup></b>	kNm	200			400		
<b>Oberes maximales Drehmoment</b>	kNm	150			300		
<b>Unteres maximales Drehmoment</b>	kNm	-150			-300		
<b>Mechanische Werte</b>							
<b>Baugröße</b>		BG1			BG2		
<b>Drehsteifigkeit <math>c_T</math></b>	kN·m/rad	119310			228090		
<b>Verdrehwinkel bei <math>M_{nom}</math></b>	Grad	0,072			0,075		
<b>Steifigkeit in axialer Richtung <math>c_a</math></b>	kN/mm	1855			3900		
<b>Steifigkeit in radialer Richtung <math>c_r</math></b>	kN/mm	3340			4910		

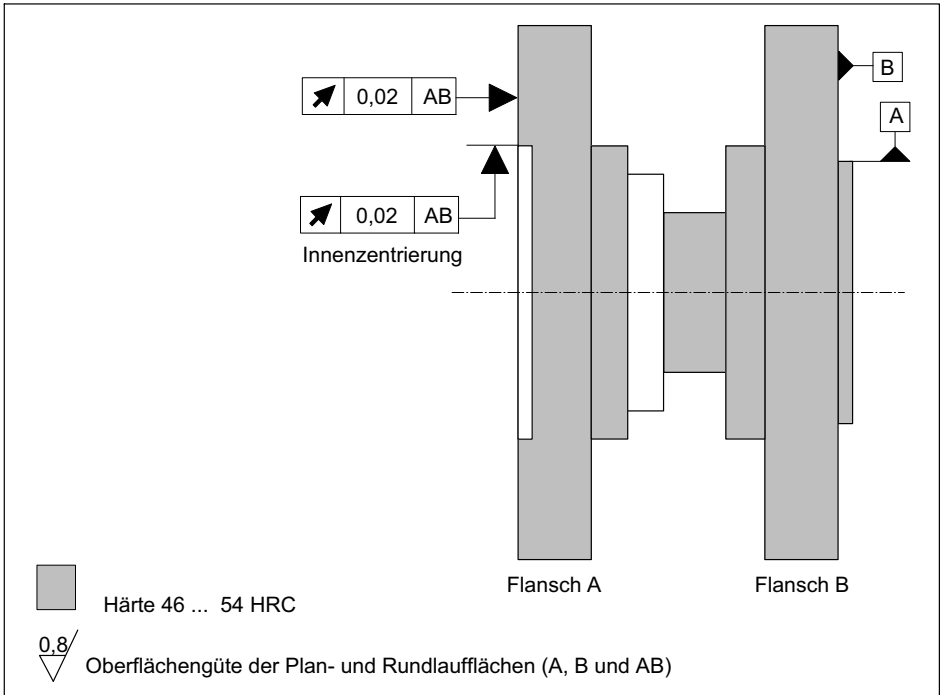
Nenn Drehmoment $M_{nom}$	kNm	100	125	150	200	250	300
Steifigkeit bei Biegemoment um eine radiale Achse $c_b$	kN·m/rad	25495			65900		
	kN·m/Grad	445			1150		
Maximale Auslenkung bei Grenzlängskraft	mm	0,1					
Zusätzlicher maximaler Rundlauffehler bei Grenzquerkraft	mm	0,1					
Zusätzliche maximale Planparallelitätsabweichung bei Grenzbiegemoment	mm	0,5					
Auswucht-Gütestufe nach DIN ISO 1940		G 6,3					
Zul. max. Schwingweg des Rotors <sup>14)</sup> (Spitze-Spitze) Wellenschwingungen im Bereich der Anschlussflansche in Anlehnung an ISO 7919-3 Normalbetrieb (Dauerbetrieb)	µm	$S_{(\rho-\rho)} = \frac{9000}{\sqrt{n}}$ (n in min <sup>-1</sup> )					
	µm	$S_{(\rho-\rho)} = \frac{13200}{\sqrt{n}}$ (n in min <sup>-1</sup> )					
Massenträgheitsmoment des Rotors $I_v$ (um Drehachse ohne Berücksichtigung der Flanschschrauben)	kg·m <sup>2</sup>	2,0			5,15		
Anteiliges Massenträgheitsmoment für Übertragerseite (Seite des Flanschs mit Außenzentrierung)	% v. $I_v$	45			47		
Zulässige max. statische Exzentrizität des Rotors (radial) zum Statormittelpunkt ohne Drehzahlmodul	mm	±2					
	mm	±1					

Neindrehmoment $M_{nom}$	kNm	100	125	150	200	250	300
Zulässiger axialer Verschiebeweg <sup>15)</sup> zwischen Rotor und Stator	mm	±2					
<b>Gewicht</b>							
Rotor	kg	78			142		
Stator	kg	2,1			2,3		

- 1) Option 5, 10 ±5 kHz (Code SU2)
- 2) Option 5, 60 ±30 kHz (Code DU2)
- 3) Option 5, 240 ±120 kHz (Code HU2)
- 4) Komplementäre Signale RS-422, Abschlusswiderstand beachten.
- 5) Signalfrequenzbereich 0,1 bis 10 kHz
- 6) Ausgangssignalbereich, in dem ein wiederholbarer Zusammenhang zwischen Drehmoment und Ausgangssignal besteht.
- 7) Gilt nur für rotierende Ausführung
- 8) Ab 70°C ist eine Wärmeableitung über die Bodenplatte des Stators erforderlich. Die Temperatur der Bodenplatte darf 85°C nicht überschreiten.
- 9) Fixierung von Antennenring und Anschlussstecker erforderlich.
- 10) Jede irreguläre Beanspruchung (Biegemoment, Quer- oder Längskraft, Überschreiten des Nenndrehmoments) ist bis zu der angegebenen Belastungsgrenze nur dann zulässig, solange keine der jeweils anderen von ihnen auftreten kann. Andernfalls sind die Grenzwerte zu reduzieren. Wenn je 30 % des Grenzbiegemoments und der Grenzquerkraft vorkommen, sind nur noch 40 % der Grenzlängskraft zulässig, wobei das Nenndrehmoment nicht überschritten werden darf. Die Auswirkungen der zulässigen Biegemomente, Längs- und Querkräfte auf das Messergebnis sind  $\leq \pm 0,3\%$  (50Nm:  $\leq \pm 0,6\%$ ) des Nenndrehmomentes. Die Belastungsgrenzen gelten nur für den Nenntemperaturbereich. Bei Temperaturen  $< 10^\circ\text{C}$  sind die Belastungsgrenzen um ca. 30% zu reduzieren (Zähigkeitsreduzierung).
- 11) Bei statischer Belastung.
- 12) Statisch und dynamisch.
- 13) Das Nenndrehmoment darf nicht überschritten werden.
- 14) Beeinflussung der Schwingungsmessungen durch Rundlauffehler, Schlag, Formfehler, Kerben, Riefen, örtlichen Restmagnetismus, Gefügeunterschiede oder Werkstoffanomalien sind zu berücksichtigen und von der eigentlichen Wellenschwingung zu trennen.
- 15) Oberhalb des Nenntemperaturbereiches:  $\pm 1,5\text{ mm}$ .

## 16 Ergänzende technische Informationen

### Plan- und Rundlauftoleranzen



Um die Eigenschaften des Drehmoment-Messflanschs im eingebauten Zustand zu erhalten, empfehlen wir, die angegebenen Form- und Lagetoleranzen, die Oberflächengüte und Härte auch für die kundenseitigen Anschlüsse zu wählen.

**HBM Test and Measurement**

Tel. +49 6151 803-0

Fax +49 6151 803-9100

info@hbm.com

measure and predict with confidence



A4429-1.0 7-2002.4429 HBM: public

www.hbm.com