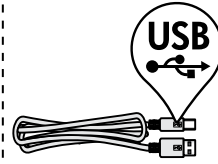
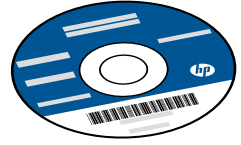
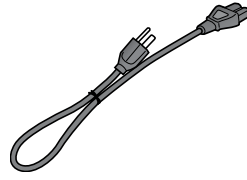
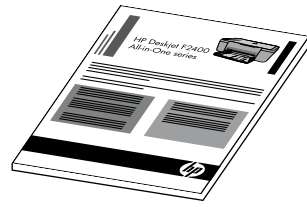


hp Deskjet F2400 All-in-One series

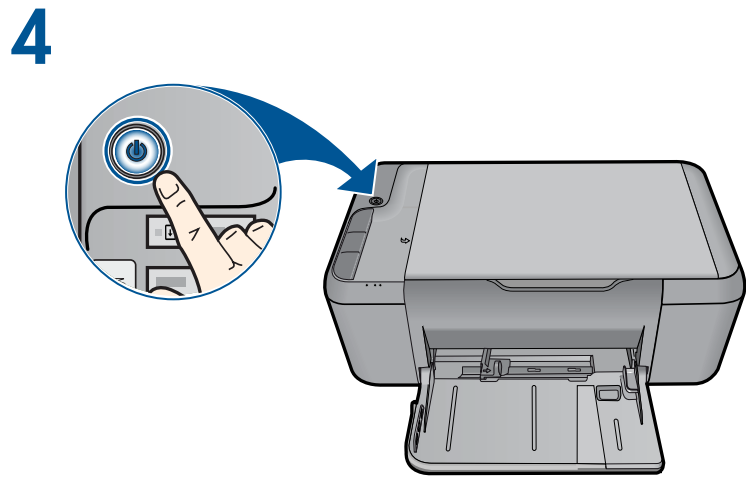
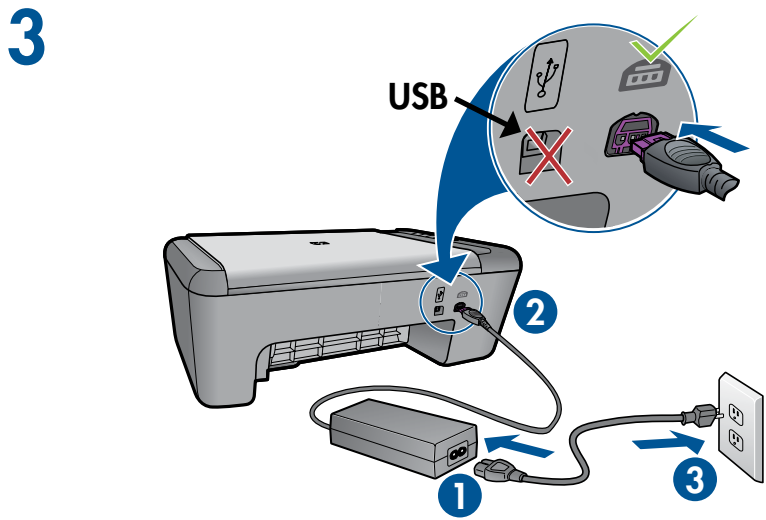
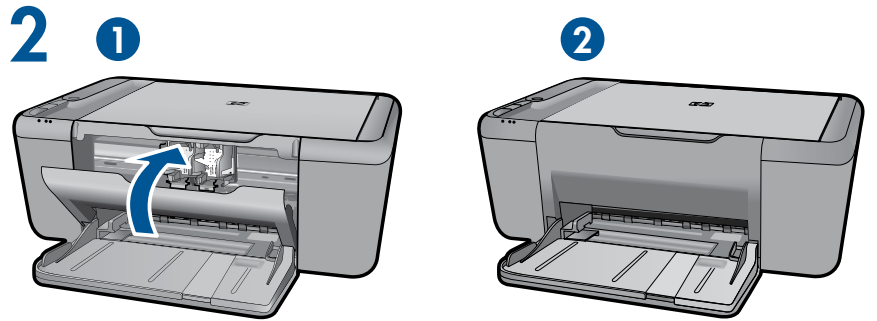
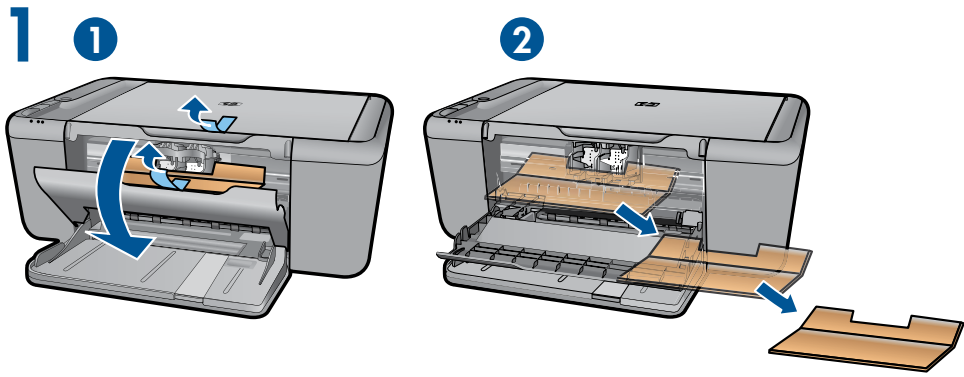


Start Here



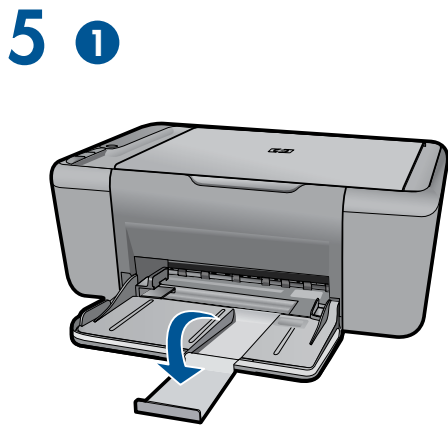
You may need to purchase a USB cable separately.

EN

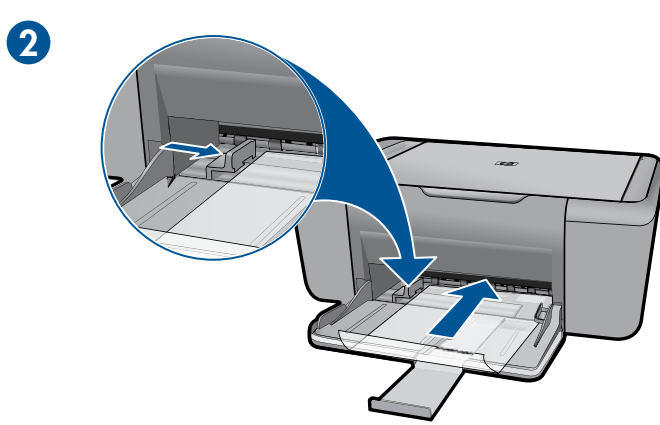


Connect power. **Do not connect USB.**

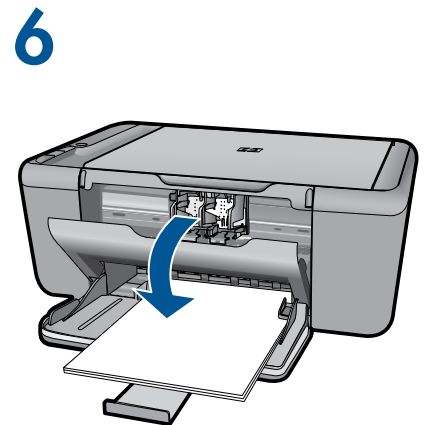
Press On button.



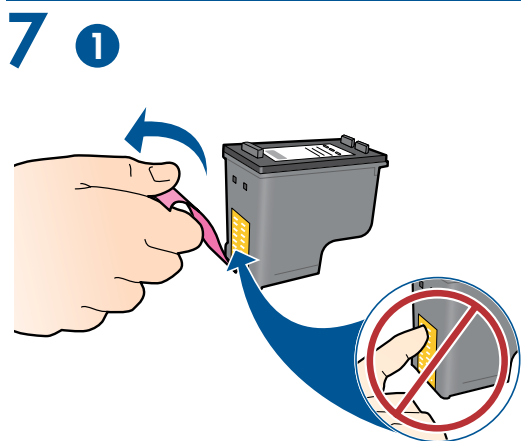
Lift out tray extension.



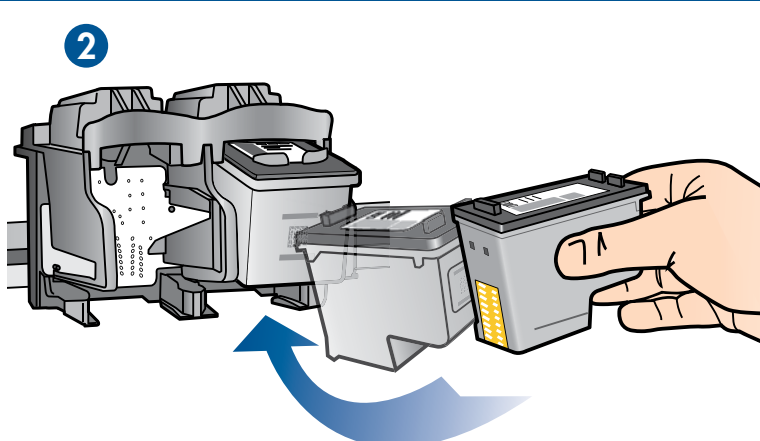
Slide guide. Load white paper.



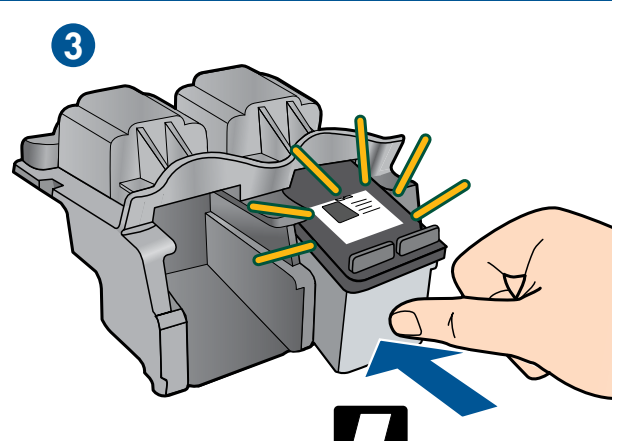
Open cartridge door.

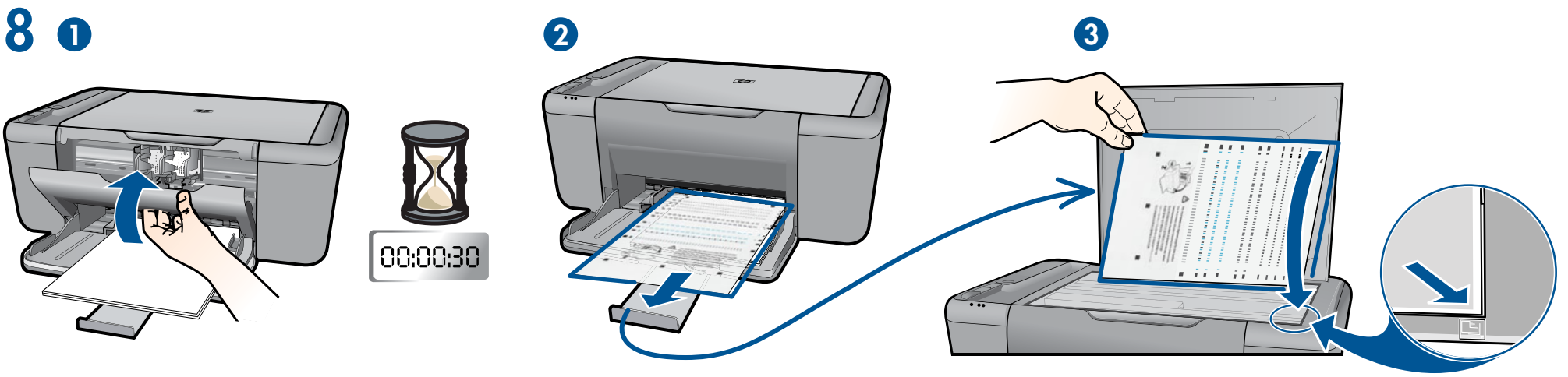


Pull pink tab to remove clear tape.



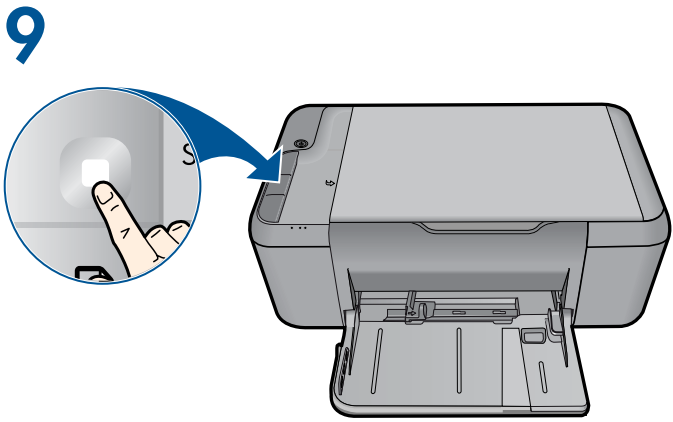
Push cartridges into carriage until they snap.





Close cartridge door. Wait 30 seconds for alignment page to automatically print.

Open lid. Place alignment page face down.



Close lid. Press Start Copy Black button.

Wait until On button light stops blinking, this means the alignment has been completed. Completing the alignment ensures better print quality.

10 Windows:

1

2

IMPORTANT: Do not connect USB until prompted on screen.

3

Mac:

1

2

3

For computers without a CD/DVD drive, please go to www.hp.com/support to download and install the printer software.

© 2009 Hewlett-Packard Development Company, L.P.

Printed in English

www.hp.com

