



LASERJET PROFESSIONAL M1130/M1210

MFP SERIES

User Guide



HP LaserJet Professional M1130/M1210 MFP
Series
User Guide



Copyright and License

© 2010 Copyright Hewlett-Packard Development Company, L.P.

Reproduction, adaptation, or translation without prior written permission is prohibited, except as allowed under the copyright laws.

The information contained herein is subject to change without notice.

The only warranties for HP products and services are set forth in the express warranty statements accompanying such products and services. Nothing herein should be construed as constituting an additional warranty. HP shall not be liable for technical or editorial errors or omissions contained herein.

Part number: CE841-90904

Edition 1, 4/2010

Trademark Credits

Adobe®, Acrobat®, and PostScript® are trademarks of Adobe Systems Incorporated.

Intel® Core™ is a trademark of Intel Corporation in the U.S. and other countries.


Java™ is a US trademark of Sun Microsystems, Inc.


Microsoft®, Windows®, Windows® XP, and Windows Vista® are U.S. registered trademarks of Microsoft Corporation.


UNIX® is a registered trademark of The Open Group.

ENERGY STAR and the ENERGY STAR mark are registered U.S. marks.

Conventions used in this guide

 **TIP:** Tips provide helpful hints or shortcuts.

 **NOTE:** Notes provide important information to explain a concept or to complete a task.

 **CAUTION:** Cautions indicate procedures that you should follow to avoid losing data or damaging the product.


 **WARNING!** Warnings alert you to specific procedures that you should follow to avoid personal injury, catastrophic loss of data, or extensive damage to the product.

Table of contents

1 Product basics

Product comparison	2
Environmental features	3
Product features	4
Product views	6
Front view	6
Back view	8
Serial number and model number location	10
Control-panel layout	11

2 Control panel menus (M1210 Series only)

Control-panel menus	14
---------------------------	----

3 Software for Windows

Supported operating systems for Windows	22
Printer driver	22
Priority for print settings	22
Change printer-driver settings for Windows	23
Change the settings for all print jobs until the software program is closed	23
Change the default settings for all print jobs	23
Change the product configuration settings	23
Remove software for Windows	23
Supported utilities for Windows	24
HP Toolbox software	24
HP Embedded Web Server (M1210 Series only)	24
Other Windows components and utilities	24

4 Use the product with Mac

Software for Mac	26
Supported operating systems for Macintosh	26
Supported printer drivers for Macintosh	26
Remove software for Mac	26
Priority for print settings for Macintosh	26

Change printer-driver settings for Mac	27
Print with Mac	28
Create and use printing presets with Mac	28
Resize documents or print on a custom paper size with Mac	28
Print a cover page with Mac	28
Print multiple pages on one sheet of paper with Mac	29
Print on both sides (duplex) with Mac	29
Fax with Mac (M1210 Series only)	31
Scan with Mac	32

5 Connect the product

Supported network operating systems	34
Printer sharing disclaimer	34
Connect with USB	35
CD installation	35
HP Smart Install	35
Connect to a network (M1210 Series only)	36
Supported network protocols	36
Install the product on a wired network	36
Configure network settings	37

6 Paper and print media

Understand paper use	40
Special paper guidelines	40
Change the printer driver to match the paper type and size	42
Supported paper sizes	43
Supported paper types	44
Load paper trays	45
Load the input tray	45
Tray adjustment for short media	46
Load the document feeder (M1210 Series only)	48
Tray and bin capacity	49
Paper orientation for loading trays	49
Configure trays	50
Change the default paper-size setting (M1130 Series)	50
Change the default paper-size setting (M1210 Series)	50
Change the default paper-type setting (M1130 Series)	51
Change the default paper-type setting (M1210 Series)	51

7 Print tasks

Cancel a print job	54
Print with Windows	55
Open the printer driver with Windows	55

Get help for any printing option with Windows	55
Change the number of print copies with Windows	56
Print colored text as black with Windows	56
Save custom print settings for reuse with Windows	57
Improve print quality with Windows	59
Print on preprinted letterhead or forms with Windows	60
Print on special paper, labels, or transparencies with Windows	61
Print the first or last page on different paper with Windows	63
Scale a document to fit page size	64
Add a watermark to a document with Windows	66
Print on both sides (duplex) with Windows	66
Create a booklet with Windows	68
Print multiple pages per sheet with Windows	70
Select page orientation with Windows	71

8 Copy

Use copy functions	74
One-touch copy	74
Multiple copies	74
Copy a multiple-page original	75
Copy identification cards (M1210 Series only)	75
Cancel a copy job	76
Reduce or enlarge a copy image	76
Collate a copy job	79
Copy settings	79
Change copy quality	79
Copy on both sides (duplex)	84
Copy a two-sided original to a one-sided document	84
Copy a two-sided original to a two-sided document	84

9 Scan

Use scan functions	88
Scan methods	88
Cancel a scan	90
Scan settings	91
Scan file format	91
Scanner resolution and color	91
Scan quality	93

10 Fax (M1210 Series only)

Fax features	96
Set up fax	97
Install and connect the hardware	97

Configure fax settings	100
Use the HP Fax Setup Wizard	102
Use the phone book	103
Use the control panel to create and edit the fax phone book	103
Import or export Microsoft Outlook contacts into the fax phone book	103
Use phone-book data from other programs	103
Delete phone book	104
Set fax settings	105
Send fax settings	105
Receive fax settings	108
Set fax polling	114
Use fax	115
Fax software	115
Cancel a fax	115
Delete faxes from memory	115
Use fax on a DSL, PBX, or ISDN system	116
Use fax on a VoIP service	116
Fax memory	117
Send a fax	117
Receive a fax	124
Solve fax problems	126
Fax troubleshooting checklist	126
Fax error messages	126
Fax logs and reports	132
Change error correction and fax speed	134
Problems sending faxes	135
Problems receiving faxes	138
Regulatory information and warranties	141

11 Manage and maintain the product

Print information pages	144
Use the HP Toolbox software	146
View HP Toolbox software	146
Status	147
Fax (M1210 Series only)	147
Shop for Supplies	150
Other Links	150
Use the HP Embedded Web Server (M1210 Series only)	151
Open the HP Embedded Web Server	151
Features	151
Product security features	153
Lock the formatter	153
Economy settings	154

Print with EconoMode	154
Auto-Off mode	154
Manage supplies and accessories	156
Print when a cartridge reaches estimated end of life	156
Manage print cartridges	156
Replacement instructions	157
Clean the product	168
Clean the pickup roller	168
Clean the separation pad	172
Clean the paper path	175
Clean the print-cartridge area	177
Clean the exterior	180
Clean the scanner glass strip and platen	180
Product updates	182

12 Solve problems

Solve general problems	184
Troubleshooting checklist	184
Factors that affect product performance	185
Restore the factory-set defaults (M1210 Series only)	185
Interpret control-panel light patterns (M1130 Series only)	186
Interpret control-panel messages (M1210 Series only)	189
Control-panel message types	189
Control-panel messages	189
Clear jams	192
Common causes of jams	192
Jam locations	193
Clear jams from the document feeder (M1210 Series only)	194
Clear jams from the output areas	195
Clear jams from the input tray	197
Clear jams from inside the product	199
Change the jam recovery setting	200
Solve paper-handling problems	202
Solve image-quality problems	203
Print-quality examples	203
Repetitive defects ruler	209
Optimize and improve image quality	210
Solve performance problems	211
Solve connectivity problems	211
Solve direct-connect problems	211
Solve network problems	211
Solve software problems	213
Solve common Windows problems	213

Solve common Mac problems	213
---------------------------------	-----

Appendix A Supplies and accessories

Order parts, accessories, and supplies	218
Part numbers	218
Paper-handling accessories	218
Print cartridges	218
Cables and interfaces	218

Appendix B Service and support

Hewlett-Packard limited warranty statement	220
HP's Premium Protection Warranty: LaserJet print cartridge limited warranty statement	221
End User License Agreement	222
Customer self-repair warranty service	224
Customer support	224
Repack the product	225
Service information form	226

Appendix C Specifications

Physical specifications	228
Power consumption, electrical specifications, and acoustic emissions	228
Environmental specifications	228

Appendix D Regulatory information

FCC regulations	230
Environmental product stewardship program	230
Protecting the environment	230
Ozone production	230
Power consumption	230
Toner consumption	231
Paper use	231
Plastics	231
HP LaserJet print supplies	231
Return and recycling instructions	231
Paper	232
Material restrictions (M1130 Series)	232
Material restrictions (M1210 Series)	232
Disposal of waste equipment by users in private households in the European Union	233
Chemical substances	233
Material Safety Data Sheet (MSDS)	233
For more information	233
Declaration of conformity (base model)	234
Declaration of conformity (fax model)	235

Safety statements	236
Laser safety	236
Canadian DOC regulations	236
Power cord instructions	236
EMC statement (Korea)	236
Laser statement for Finland	237
GS statement (Germany)	237
Substances Table (China)	238
Restriction on Hazardous Substances statement (Turkey)	238
Additional statements for telecom (fax) products	239
EU Statement for Telecom Operation	239
New Zealand Telecom Statements	239
Additional FCC statement for telecom products (US)	239
Telephone Consumer Protection Act (US)	240
Industry Canada CS-03 requirements	240
Index	243

1 Product basics

- [Product comparison](#)
- [Environmental features](#)
- [Product features](#)
- [Product views](#)

Product comparison

The product is available in the following configurations.



M1130 Series



M1210 Series

-
- | | |
|--|---|
| <ul style="list-style-type: none">• Prints letter-size pages at speeds up to 19 pages per minute (ppm) and A4-size pages at speeds up to 18 ppm.• The input tray holds up to 150 sheets of print media or up to 10 envelopes.• The output bin holds up to 100 sheets• 2-digit LED control-panel display• Manual two-sided (duplex) printing and copying.• Copy from the flatbed scanner• Full-color scanning• Hi-Speed USB 2.0 port.• 8-MB random-access memory (RAM). | <ul style="list-style-type: none">• Prints letter-size pages at speeds up to 19 pages per minute (ppm) and A4-size pages at speeds up to 18 ppm.• The input tray holds up to 150 sheets of print media or up to 10 envelopes.• The output bin holds up to 100 sheets• LCD control-panel display• Manual two-sided (duplex) printing, fax receiving, and copying.• Copy from the flatbed scanner or from the document feeder• Full-color scanning• Hi-Speed USB 2.0 port.• Integrated networking for connecting to a 10/100Base-TX network.• V.34 fax modem and 4-megabyte (MB) flash fax-storage memory.• Two RJ-11 fax/phone cable ports.• 64-MB random-access memory (RAM).• 35-page document feeder. |
|--|---|
-

Environmental features

Print multiple pages per sheet	Save paper by printing two or more pages of a document side-by-side on one sheet of paper. Access this feature through the printer driver.
Recycling	Reduce waste by using recycled paper. Recycle print cartridges by using the HP return process.
Energy savings	Save energy by initiating Auto-off mode for the product.
HP Smart Web printing	Use HP Smart Web printing to select, store, and organize text and graphics from multiple Web pages and then edit and print exactly what you see onscreen. It gives you the control you need for printing meaningful information while minimizing waste. Download HP Smart Web printing from this Web site: www.hp.com/go/smartwebprinting .

Product features

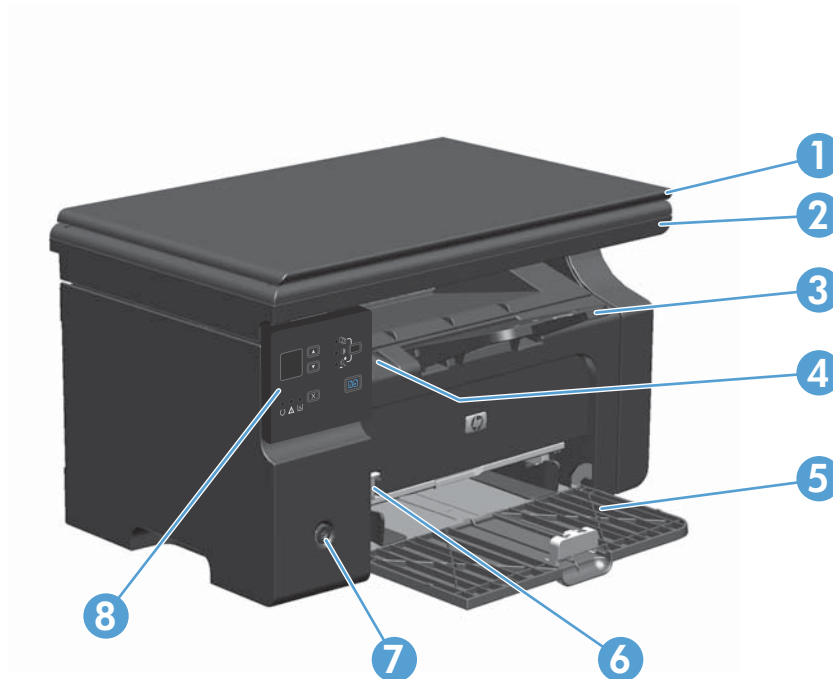
Print	<ul style="list-style-type: none">• Prints letter-size pages at speeds up to 19 ppm and A4-size pages at speeds up to 18 ppm.• Prints at 400x2 dots per inch (dpi) with FastRes 600 (default). Supports FastRes 1200 for high-quality printing of text and graphics.• Includes adjustable settings to optimize print quality.
Copy	<ul style="list-style-type: none">• Scans at 300 pixels per inch (ppi) and prints with FastRes 600.• Easily change the number of copies, adjust the lightness or darkness, or reduce or enlarge the size of copies from the control panel.
Scan	<ul style="list-style-type: none">• Provides up to 1200 pixels per inch (ppi) full-color scanning from the flatbed scanner.• Provides up to 300 ppi full-color scanning from the document feeder.• Scan from TWAIN-compliant or Windows Imaging Application (WIA)-compliant software.• Scan from a computer by using HP LaserJet Scan software for Windows or by using HP Director software for Mac.
Fax (M1210 Series only)	<ul style="list-style-type: none">• Full-functionality fax capabilities with a V.34 fax; includes a phone book and delayed-fax features.• Stores up to 500 pages in memory.• Recovers faxes from memory for up to four days following a power failure.
Supported operating systems	<ul style="list-style-type: none">• Windows 7• Windows Vista (32-bit and 64-bit)• Windows XP (32-bit and 64-bit)• Mac OS X 10.4, 10.5, 10.6
Memory	<ul style="list-style-type: none">• M1130 Series: Includes 8-megabyte (MB) random-access memory (RAM).• M1210 Series: Includes 64-MB RAM.
Paper handling	<ul style="list-style-type: none">• The input tray holds up to 150 sheets of paper or 10 envelopes.• The document feeder holds up to 35 sheets of paper.• The output bin holds up to 100 sheets of paper.
Printer driver features	<ul style="list-style-type: none">• Print multiple pages on one sheet.• Print booklets.• Scale to fit different paper sizes.• Print cover pages on different paper.
Interface connections	<ul style="list-style-type: none">• Hi-Speed USB 2.0 port.• RJ-45 network port. (M1210 Series only)• Two RJ-11 fax/phone cable ports. (M1210 Series only)
Economical printing	<ul style="list-style-type: none">• N-up printing (printing more than one page on a sheet) and the manual two sided printing features save paper.• EconoMode printer driver feature saves toner.

Archive printing	Archive printing feature for printing pages that you plan to store for a long time.
Supplies	<ul style="list-style-type: none">• Authentication for genuine HP print cartridges.• Easy ordering for replacement supplies.• Supplies status page shows estimated toner level in the print cartridge. Not available for non-HP supplies.
Self-help	Quick-reference pages available from www.hp.com/support/ljm1130series or www.hp.com/support/ljm1210series .
Accessibility	<ul style="list-style-type: none">• All doors and covers can be opened by using one hand.
Security	<ul style="list-style-type: none">• Receptacle for a cable-type security lock.

Product views

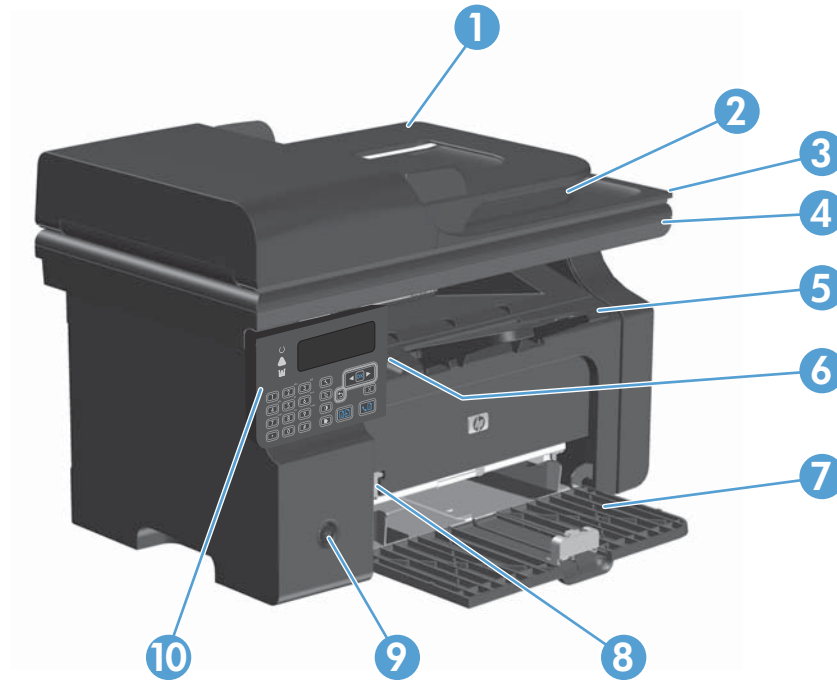
Front view

M1130 Series



1	Scanner lid
2	Scanner assembly
3	Output bin with extension for long paper
4	Print-cartridge door lift-tab
5	Input tray
6	Short media extender tool
7	Power button
8	Control panel

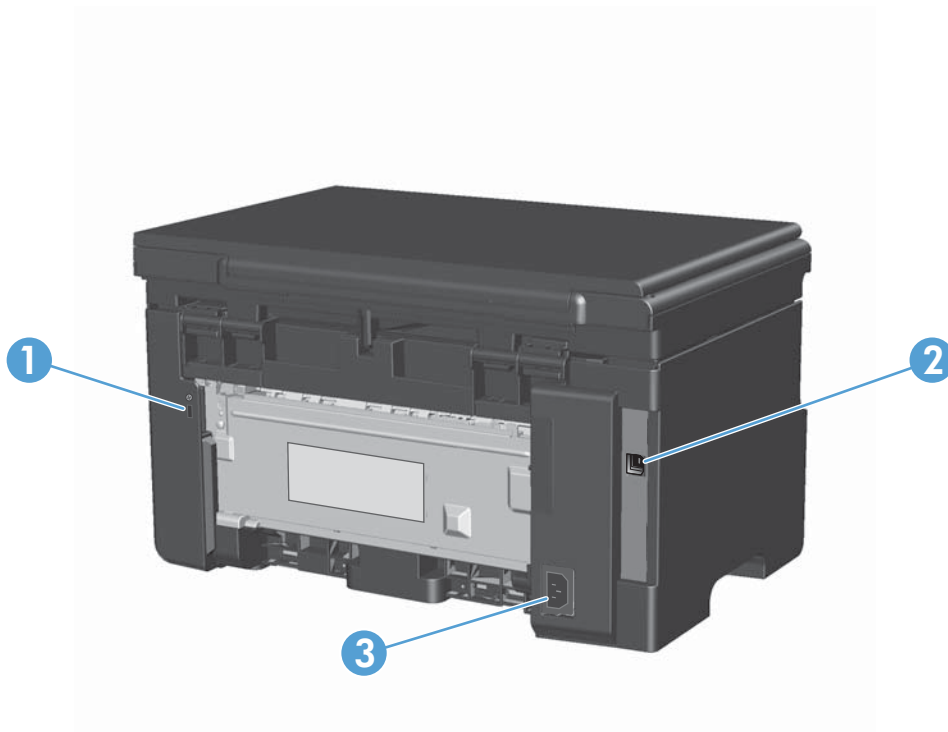
M1210 Series



1	Document feeder
2	Document feeder output bin
3	Scanner lid
4	Scanner assembly
5	Output bin with extension for long paper
6	Print-cartridge door lift-tab
7	Input tray
8	Short media extender tool
9	Power button
10	Control panel

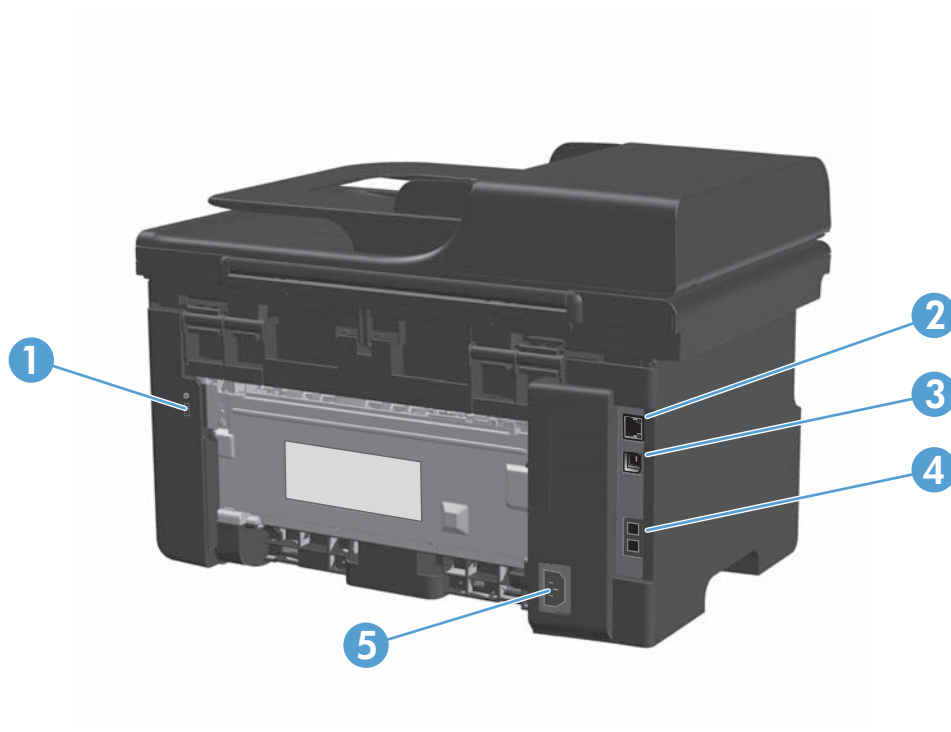
Back view

M1130 Series



1	Slot for a cable-type security lock
2	Hi-Speed USB 2.0 port
3	Power connection

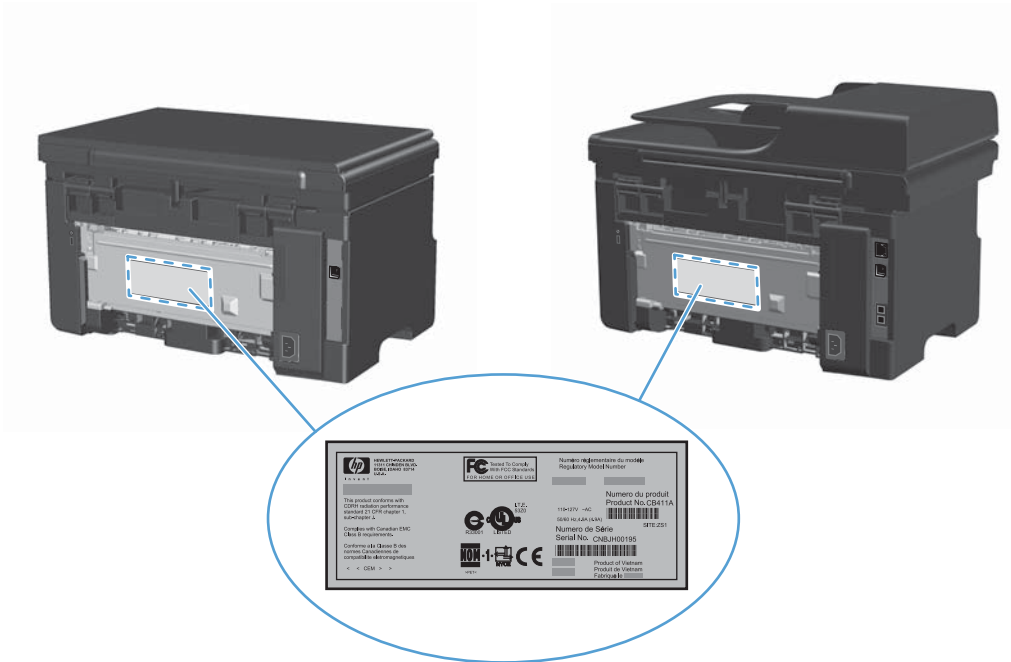
M1210 Series



1	Slot for a cable-type security lock
2	RJ-45 network port
3	Hi-Speed USB 2.0 port
4	RJ-11 fax ports
5	Power connection

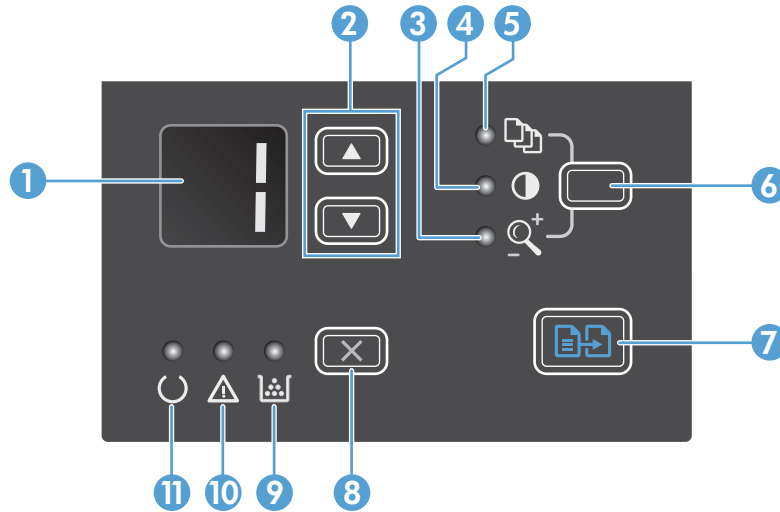
Serial number and model number location

The serial number and product model number label is at the back of the product.



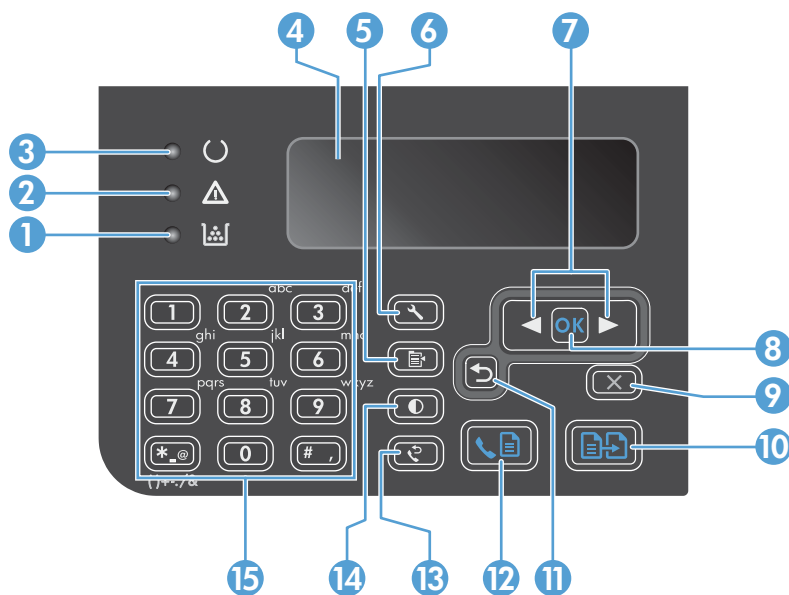
Control-panel layout

M1130 Series



1		LED display screen: Displays the number of copies, the level of darkness for copies, and the percentage of copy-size reduction or enlargement. It also shows error codes that alert you of problems that require attention.
2	▲ ▼	Up and down arrows: Increases or decreases the number of copies, the level of darkness for copies, or the percentage of copy-size reduction or enlargement. <ul style="list-style-type: none"> Press the buttons for less than one second to increase or decrease copy settings by one increment. Press the buttons for one second or longer to increase or decrease the level of darkness to the maximum or minimum value. Press the buttons for one second or longer to increase or decrease the number of copies or the percentage of copy-size reduction or enlargement by 10 increments.
3	🔍	Reduce/Enlarge copy light: Indicates the copy-size reduction or enlargement feature is active.
4	🌑	Darker/Lighter copy light: Indicates the copy-darkness feature is active.
5	📄	Number Of Copies light: Indicates the number-of-copies feature is active.
6	📄	Setup button: Scrolls between the copy settings for number of copies, darkness, and copy size for each job. The default option is the number of copies. To change the default settings for all jobs, scroll to the setting and then press and hold the button for 3 seconds. When the light is blinking, adjust the setting. Press this button again to save the setting.
7	📄	Start Copy button: Starts a copy job.
8	⊗	Cancel button: Cancels the current job, or clears the last setting you made. When the product is in the Ready state, press this button to reset the copy settings to the default values.
9	🖨️	Toner-level status light: Indicates the level of toner in the print cartridge is low.
10	⚠️	Attention light: Indicates a problem with the product.
11	🕒	Ready light: Indicates the product is ready or is processing a job.

M1210 Series



1		Toner-level status light: Indicates the level of toner in the print cartridge is low.
2		Attention light: Indicates a problem with the product. View the LCD display for a message.
3		Ready light: Indicates the product is ready or is processing a job.
4		LCD display screen: Displays status information, menus, and messages.
5		Copy Settings button: Opens the Copy Settings menu.
6		Setup button: Opens the menus.
7		Left and right arrows: Enter and navigate through the menus. Decrease or increase the current value on the screen. Move the screen cursor backward or forward one space.
8		OK button: Acknowledges a setting or confirms an action to proceed.
9		Cancel button: Cancels the current job, or clears the last setting you made. When the product is in the Ready state, press this button to reset the copy settings to the default values.
10		Start Copy button: Starts a copy job.
11		Back arrow: Returns to the previous level in the menus.
12		Send Fax button: Starts a fax job.
13		Redial button: Recalls the last digits used for the previous fax job.
14		Darker/Lighter copy button: Adjusts the darkness setting for the current copy job.
15		Numeric keypad: Use the keypad to enter fax numbers or to enter data.

2 Control panel menus (M1210 Series only)

- [Control-panel menus](#)

Control-panel menus

These menus are available from the control-panel main menu:

- Use the **Phone Book** menu to open the list of entries in the fax phone book.
- Use the **Fax Job status** menu to display a list of all faxes that are waiting to be sent, or have been received but are waiting to be printed, forwarded, or uploaded to the computer.
- Use the **Fax functions** menu to configure fax functions such as scheduling a delayed fax, cancelling the **Receive to PC** mode, reprinting faxes that were previously printed, or clearing faxes that are stored in memory.
- Use the **Copy setup** menu to configure basic copy default settings such as contrast, collation, or the number of copies printed.
- Use the **Reports** menu to print reports that provide information about the product.
- Use the **Fax setup** menu to configure the outgoing and incoming fax options and the basic settings for all faxes.
- Use the **System setup** menu to establish basic product settings such as language, print quality, or volume levels.
- Use the **Service** menu to restore default settings, clean the product, and activate special modes that affect print output.
- Use the **Network config.** menu to establish network configuration settings.

Table 2-1 Phone Book menu

Menu item	Sub-menu item	Description
Phone Book	Add/Edit	Edits the fax phone book. The product supports up to 100 phone book entries.
	Delete	
	Delete all	

Table 2-2 Fax Job status menu

Menu item	Description
Fax Job status	Displays pending fax jobs, and allows you to cancel pending fax jobs.

Table 2-3 Fax functions menu

Menu item	Description
Send fax later	Allows a fax to be sent at a later time and date.
Stop Recv to PC	Disables the Receive to PC setting that allows a computer to upload all current faxes that have not been printed and all future faxes received by the product.
Reprint last	Reprints the faxes that are stored in the product memory.
Polling receive	Allows the product to call another fax machine that has polling send enabled.
Clear saved faxes	Clears all faxes in the product memory.

Table 2-4 Copy setup menu

Menu item	Sub-menu item	Description
Default Quality	Text	Sets the default copy quality.
	Draft	
	Mixed	
	Film photo	
	Picture	
Def. light/dark		Sets the default contrast option.
Def. Collation	Off	Sets whether copies are collated as they are printed.
	On	
Def. # of copies	(Range: 1-99)	Sets the default number of copies.
Def. Reduce/Enlrg	Original=100%	Sets the default percentage to reduce or enlarge a copied document.
	A4 to Letter=94%	
	Letter to A4=97%	
	Full Page=91%	
	2 pages per sheet	
	4 pages per sheet	
	Custom: 25 to 400%	

Table 2-5 Reports menu

Menu Item	Sub-menu item	Sub-menu item	Description
Demo page			Prints a page that demonstrates print quality.
Fax Reports	Fax Confirmation	Never	Sets whether or not the product prints a confirmation report after a successful sending or receiving job.
		Send fax only	
		Receive fax	
		Every fax	
	Fax Error report	Every error	Sets whether or not the product prints a report after a failed sending or receiving job.
		Send error	
		Receive error	
		Never	
	Last Call report		Prints a detailed report of the last fax operation, either sent or received.
	Include 1st page	On	Sets whether or not the product includes a thumbnail image of the first page of the fax on the report.
		Off	

Table 2-5 Reports menu (continued)

Menu Item	Sub-menu item	Sub-menu item	Description
	Fax Activity log	Print log now Auto Log Print	Print log now: Prints a list of the last 40 faxes that have been sent from or received by this product. Auto Log Print: Select On to automatically print a report after every 40 fax jobs. Select Off to turn off the automatic print feature.
	Phone Book report		Prints a list of the phone book entries that have been set up for this product.
	Block Fax list		Prints a list of phone numbers that are blocked from sending faxes to this product.
	All fax reports		Prints all fax-related reports.
Menu structure			Prints a control-panel menu layout map. The active settings for each menu are listed.
Config report			Prints a list of all the product settings, including the network and fax settings.
Supplies Status			Prints information about the print cartridge, including the estimated number of pages remaining and the number of pages printed.

Table 2-6 Fax setup menu

Menu Item	Sub-menu item	Sub-menu item	Description
Fax header	Your fax number Company name		Sets the identifying information that is sent to the receiving product.
Fax Send setup	Def. Resolution	Fine Superfine Photo Standard	Sets the resolution for sent documents. Higher resolution images have more dots per inch (dpi), so they show more detail. Lower resolution images have fewer dots per inch and show less detail, but the file size is smaller. Changing the resolution setting might affect the fax speed.
	Def. light/dark		Sets the darkness of outgoing faxes.
	Def. Glass size	Letter A4	Sets the default paper size to use when scanning and copying from the flatbed glass.
	Dialing Mode	Tone Pulse	Sets whether the product should use tone or pulse dialing.
	Redial if busy	On Off	Sets whether or not the product should attempt to redial if the line is busy.
	Redial-no answer	On Off	Sets whether the product should attempt to dial if the recipient fax number does not answer.
	Redial Comm. Error	On Off	Sets whether the product should attempt to redial the recipient fax number if a communication error occurs.

Table 2-6 Fax setup menu (continued)


Menu Item	Sub-menu item	Sub-menu item	Description
	Dial Prefix	On Off	Specifies a prefix number that must be dialed when sending faxes from the product.
	Detect dial tone	On Off	Sets whether the product should check for a dial tone before sending a fax.
Fax Recv. setup	Answer mode	Automatic TAM Fax/Tel Manual	<p>Sets the type of answer mode. The following options are available:</p> <ul style="list-style-type: none"> • Automatic: The product automatically answers an incoming call on the configured number of rings. • TAM: Use this setting when a telephone answering machine is connected to the product. The product does not automatically answer the call. Instead, it waits until it detects the fax tone. • Fax/Tel: The product answers incoming calls immediately. If it detects the fax tone, it processes the call as a fax. If it does not detect the fax tone, it creates an audible ring to alert you to answer the incoming voice call. • Manual : You must press the Send Fax  button or use an extension phone to make the product answer the incoming call.
	Rings to answer		Sets the number of rings that must occur before the fax modem answers.
	Answer Ring Type	All Rings Single Double Triple Double&Triple	<p>Allows you to have two or three phone numbers on a single line, each with a different ring pattern (on a phone system with distinctive-ring service).</p> <ul style="list-style-type: none"> • All Rings: The product answers any calls that come through the telephone line. • Single: The product answers any calls that produce a single-ring pattern. • Double: The product answers any calls that produce a double-ring pattern. • Triple: The product answers any calls that produce a triple-ring pattern. • Double&Triple: The product answers any calls that produce a double-ring or triple-ring pattern.
	Extension Phone	On Off	When this feature is enabled, you can press the 1-2-3 buttons on the extension phone to cause the product to answer an incoming fax call.
	Silence detect	On Off	Sets whether the product can receive faxes from older model fax machines that do not emit the initial fax tones used during fax transmission.
	Fit to page	On Off	Shrinks faxes that are larger than Letter-size or A4-size so that they can fit onto a Letter-size or A4-size page. If this feature is set to Off , faxes larger than Letter or A4 will print on multiple pages.

Table 2-6 Fax setup menu (continued)

Menu Item	Sub-menu item	Sub-menu item	Description
	Stamp faxes	On Off	Sets product to add the date, time, sender's phone number, and page number to each page of the faxes that this product receives.
	Forward fax	On Off	Sets product to send all received faxes to another fax machine.
	Block faxes	Add entry Delete entry Clear all	Modifies the blocked fax list. The blocked fax list can contain up to 30 numbers. When the product receives a call from one of the blocked fax numbers, it deletes the incoming fax. It also logs the blocked fax in the activity log along with job-accounting information.
	Reprint faxes	On Off	Sets whether all received faxes stored in available memory can be reprinted.
	Private receive	On Off Print faxes	Setting the Private receive feature to On requires you to set a password. After the password is set, the following options are set: <ul style="list-style-type: none"> • The Private receive feature is turned on. • All old faxes are deleted from memory. • The Forward fax or Receive to PC options are set to Off and are not allowed to be set. • All incoming faxes are stored in memory.
	F/T ring time		This item sets the time, in seconds, for how long the product generates the audible ring sound for an incoming voice call.
All faxes	Error correction	On Off	Sets whether the product sends or receives the error portion again when a fax transmission error occurs.
	Fax Speed	Fast(V.34) Medium(V.17) Slow(V.29)	Increases or decreases the allowed fax communication speed.

Table 2-7 System setup menu

Menu Item	Sub-menu item	Sub-menu item	Description
Language	(List of available control-panel display languages.)		Sets the language in which the control panel displays messages and product reports.
Paper setup	Def. paper size	Letter A4 Legal	Sets the size for printing internal reports or any copy job.
	Def. paper type	Lists available paper types.	Sets the type for printing internal reports or any copy job.
Print Density	(Range of 1-5)		Sets how much toner the product should use to darken lines and edges.

Table 2-7 System setup menu (continued)

Menu Item	Sub-menu item	Sub-menu item	Description
Volume settings	Alarm volume	Soft	Sets the volume levels for the product.
	Ring volume	Medium	
	Key-press volume	Loud	
	Phoneline volume	Off	
Time/Date	(Settings for time format, current time, date format, and current date.)		Sets the time and date setting for the product.

Table 2-8 Service menu

Menu item	Sub-menu item	Description
T.30 trace	Never	Prints or schedules a report that is used to troubleshoot fax transmission issues.
	Now	
	If error	
	At end of call	
Restore Defaults		Sets all customized settings to the factory default values.
Cleaning Mode		Cleans the product when specks or other marks appear on printed output. The cleaning process removes dust and excess toner from the paper path. When selected, the product prompts you to load plain Letter or A4 paper in the tray. Press the OK button to begin the cleaning process. Wait until the process completes. Discard the page that prints.
USB speed	High	Sets the USB speed.
	Full	
Less paper curl	On	When printed pages are consistently curled, this option sets the product to a mode that reduces curl. The default setting is Off .
	Off	
Archive print	On	When printing pages that will be stored for a long time, this option sets the product to a mode that reduces toner smearing and dusting. The default setting is Off .
	Off	

Table 2-9 Network config. menu

Menu item	Sub-menu item	Description
TCP/IP Config	Automatic	Select the Automatic option to automatically configure all the TCP/IP settings.
	Manual	Select the Manual option to manually configure the IP address, subnet mask, and default gateway. The default setting is Automatic .
Link Speed	Automatic (default)	Sets the link speed manually if needed.
	10T Full	After setting the link speed, the product automatically restarts.
	10T Half	
	100TX Full	
	100TX Half	
Network Services	IPv4	This item is used by the network administrator to limit the network services available on this product. On Off The default setting for all items is On .
	IPv6	
Show IP address	No	No: The product IP address will not appear on the control-panel display. Yes: The product IP address will appear on the control-panel display, alternating between supplies information and the product IP address. The IP address will not be displayed if an error condition exits. The default setting is No .
	Yes	
Restore Defaults		Press the OK button to restore the network configuration settings to the default values.

3 Software for Windows

- [Supported operating systems for Windows](#)
- [Printer driver](#)
- [Priority for print settings](#)
- [Change printer-driver settings for Windows](#)
- [Remove software for Windows](#)
- [Supported utilities for Windows](#)

Supported operating systems for Windows

The product supports the following Windows operating systems:

Full software installation


- Windows XP
- Windows Vista (32-bit and 64-bit)
- Windows 7 (32-bit and 64-bit)

Print and scan drivers only

- Windows 2003 Server
- Windows 2008 Server


Printer driver

Printer drivers provide access to product features, such as printing on custom-sized paper, resizing documents, and inserting watermarks.

 **NOTE:** The most recent drivers are available at www.hp.com/go/ljm1130series_software or www.hp.com/go/ljm1210series_software. Depending on the configuration of Windows-based computers, the installation program for the product software automatically checks the computer for Internet access in order to obtain the latest drivers.

Priority for print settings

Changes to print settings are prioritized depending on where the changes are made:

 **NOTE:** The names of commands and dialog boxes might vary depending on your software program.

- **Page Setup dialog box:** Click **Page Setup** or a similar command on the **File** menu of the program you are working in to open this dialog box. Settings changed here override settings changed anywhere else.
- **Print dialog box:** Click **Print**, **Print Setup**, or a similar command on the **File** menu of the program you are working in to open this dialog box. Settings changed in the **Print** dialog box have a lower priority and usually do not override changes made in the **Page Setup** dialog box.
- **Printer Properties dialog box (printer driver):** Click **Properties** in the **Print** dialog box to open the printer driver. Settings changed in the **Printer Properties** dialog box usually do not override settings anywhere else in the printing software. You can change most of the print settings here.
- **Default printer driver settings:** The default printer driver settings determine the settings used in all print jobs, *unless* settings are changed in the **Page Setup**, **Print**, or **Printer Properties** dialog boxes.
- **Printer control panel settings:** Settings changed at the printer control panel have a lower priority than changes made anywhere else.

Change printer-driver settings for Windows

Change the settings for all print jobs until the software program is closed

1. On the **File** menu in the software program, click **Print**.
2. Select the driver, and then click **Properties** or **Preferences**.

The steps can vary; this procedure is most common.

Change the default settings for all print jobs

1. **Windows XP, Windows Server 2003, and Windows Server 2008 (using the default Start menu view):** Click **Start**, and then click **Printers and Faxes**.

Windows XP, Windows Server 2003, and Windows Server 2008 (using the Classic Start menu view): Click **Start**, click **Settings**, and then click **Printers**.

Windows Vista: Click **Start**, click **Control Panel**, and then in the category for **Hardware and Sound** click **Printer**.

2. Right-click the driver icon, and then select **Printing Preferences**.

Change the product configuration settings

1. **Windows XP, Windows Server 2003, and Windows Server 2008 (using the default Start menu view):** Click **Start**, and then click **Printers and Faxes**.

Windows XP, Windows Server 2003, and Windows Server 2008 (using the Classic Start menu view): Click **Start**, click **Settings**, and then click **Printers**.

Windows Vista: Click **Start**, click **Control Panel**, and then in the category for **Hardware and Sound** click **Printer**.

2. Right-click the driver icon, and then select **Properties**.
3. Click the **Device Settings** tab.

Remove software for Windows

Windows XP

1. Click **Start**, **Control Panel**, and then **Add or Remove Programs**.
2. Find and select the product from the list.
3. Click the **Change/Remove** button to remove the software.

Windows Vista

1. Click **Start**, **Control Panel**, and then **Programs and Features**.
2. Find and select the product from the list.
3. Select the **Uninstall/Change** option.

Supported utilities for Windows

HP Toolbox software

HP Toolbox is a software program that you can use for the following tasks:

- Check the product status.
- Configure the product settings.
- Configure pop-up-alert messages.
- View troubleshooting information.
- View online documentation.

HP Embedded Web Server (M1210 Series only)

The product is equipped with the HP Embedded Web Server, which provides access to information about product and network activities. This information appears in a Web browser, such as Microsoft Internet Explorer, Netscape Navigator, Apple Safari, or Mozilla Firefox.

The HP Embedded Web Server resides on the product. It is not loaded on a network server.

The HP Embedded Web Server provides an interface to the product that anyone who has a network-connected computer and a standard Web browser can use. No special software is installed or configured, but you must have a supported Web browser on your computer. To gain access to the HP Embedded Web Server, type the IP address for the product in the address line of the browser.

Other Windows components and utilities

- Software installer — automates the printing system installation
- Online Web registration
- HP LaserJet Scan
- PC Fax Send

4 Use the product with Mac


- [Software for Mac](#)
- [Print with Mac](#)
- [Fax with Mac \(M1210 Series only\)](#)
- [Scan with Mac](#)

Software for Mac

Supported operating systems for Macintosh

The product supports the following Macintosh operating systems:

- Mac OS X V10.3.9, V10.4, V10.5, and later

 **NOTE:** For Mac OS X V10.4 and later, PPC and Intel® Core™ Processor Macs are supported.

Supported printer drivers for Macintosh

The HP LaserJet software installer provides PostScript® Printer Description (PPD) files, a CUPS driver, and the HP Printer Utilities for Mac OS X. The HP printer PPD file, in combination with the CUPS driver, provides full printing functionality and access to specific HP printer features.

Remove software for Mac

Use the uninstall utility to remove the software.

1. Browse to the following folder on the hard drive:

```
Library/Printers/hp/laserjet/M1130_M1210Series/
```

2. Double-click the **HP Uninstaller.app** file.
3. Click the **Continue** button, and then follow the onscreen instructions to remove the software.



Priority for print settings for Macintosh

Changes to print settings are prioritized depending on where the changes are made:

 **NOTE:** The names of commands and dialog boxes might vary depending on your software program.

- **Page Setup dialog box:** Click **Page Setup** or a similar command on the **File** menu of the program you are working in to open this dialog box. Settings changed here might override settings changed anywhere else.
- **Print dialog box:** Click **Print**, **Print Setup**, or a similar command on the **File** menu of the program you are working in to open this dialog box. Settings changed in the **Print** dialog box have a lower priority and do *not* override changes made in the **Page Setup** dialog box.
- **Default printer driver settings:** The default printer driver settings determine the settings used in all print jobs, *unless* settings are changed in the **Page Setup**, **Print**, or **Printer Properties** dialog boxes.
- **Printer control panel settings:** Settings changed at the printer control panel have a lower priority than changes made anywhere else.

Change printer-driver settings for Mac

Change the settings for all print jobs until the software program is closed	Change the default settings for all print jobs	Change the product configuration settings
<ol style="list-style-type: none">1. On the File menu, click the Print button.2. Change the settings that you want on the various menus.	<ol style="list-style-type: none">1. On the File menu, click the Print button.2. Change the settings that you want on the various menus.3. On the Presets menu, click the Save As... option and type a name for the preset. <p>These settings are saved in the Presets menu. To use the new settings, you must select the saved preset option every time you open a program and print.</p>	<p>Mac OS X 10.4</p> <ol style="list-style-type: none">1. From the Apple menu , click the System Preferences menu and then click the Print & Fax icon.2. Click the Printer Setup button.3. Click the Installable Options menu. <p>Mac OS X 10.5 and 10.6</p> <ol style="list-style-type: none">1. From the Apple menu , click the System Preferences menu and then click the Print & Fax icon.2. Select the product in the left side of the window.3. Click the Options & Supplies button.4. Click the Driver tab.5. Configure the installed options.

Print with Mac

Create and use printing presets with Mac

Use printing presets to save the current printer driver settings for reuse.

Create a printing preset

1. On the **File** menu, click the **Print** option.
2. Select the driver.
3. Select the print settings that you want to save for reuse.
4. In the **Presets** menu, click the **Save As...** option, and type a name for the preset.
5. Click the **OK** button.

Use printing presets

1. On the **File** menu, click the **Print** option.
2. Select the driver.
3. In the **Presets** menu, select the printing preset.



NOTE: To use printer-driver default settings, select the **standard** option.

Resize documents or print on a custom paper size with Mac

Mac OS X 10.4, 10.5, and 10.6

1. On the **File** menu, click the **Page Setup** option.
2. Select the product, and then select the correct settings for the **Paper Size** and **Orientation** options.

Mac OS X 10.5 and 10.6

Use one of these methods.

1. On the **File** menu, click the **Print** option.
 2. Click the **Page Setup** button.
 3. Select the product, and then select the correct settings for the **Paper Size** and **Orientation** options.
-
1. On the **File** menu, click the **Print** option.
 2. Open the **Paper Handling** menu.
 3. In the **Destination Paper Size** area, click the **Scale to fit paper size** box, and then select the size from the drop-down list.
-

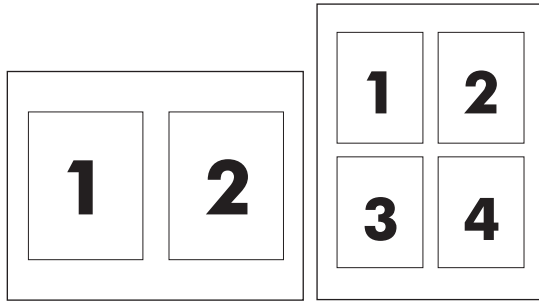
Print a cover page with Mac

1. On the **File** menu, click the **Print** option.
2. Select the driver.

3. Open the **Cover Page** menu, and then select where to print the cover page. Click either the **Before Document** button or the **After Document** button.
4. In the **Cover Page Type** menu, select the message that you want to print on the cover page.

 **NOTE:** To print a blank cover page, select the **standard** option from the **Cover Page Type** menu.

Print multiple pages on one sheet of paper with Mac



1. On the **File** menu, click the **Print** option.
2. Select the driver.
3. Open the **Layout** menu.
4. From the **Pages per Sheet** menu, select the number of pages that you want to print on each sheet (1, 2, 4, 6, 9, or 16).
5. In the **Layout Direction** area, select the order and placement of the pages on the sheet.
6. From the **Borders** menu, select the type of border to print around each page on the sheet.

Print on both sides (duplex) with Mac

Print on both sides manually

1. Load paper face-up in the input tray.



2. On the **File** menu, click **Print**.

3. **Mac OS X v10.4:** In the **Layout** drop-down list, select the **Long-edged binding** item or the **Short-edged binding** item.

-or-

Mac OS X v10.5 and v10.6: Click the **Two-sided** check box.

4. Click **Print**. Follow the instructions in the dialog box that opens on the computer screen before placing the output stack in the tray for printing the second half.
5. Retrieve the printed stack from the output bin, and, maintaining the paper orientation, place it with the printed-side facing down in the input tray.



6. At the computer, click the **Continue** button to print the second side of the job.

Fax with Mac (M1210 Series only)

1. In the software program, on the **File** menu, select **Print**.
2. Click **PDF**, and then select **Fax PDF**.
3. Enter a fax number in the **To** field.
4. To include a fax cover page, select **Use Cover Page**, and then enter the cover page subject and message (optional).
5. Click **Fax**.

Scan with Mac

Use the HP Director software to scan images to a Mac computer.

Use page-by-page scanning

1. Load the original that is to be scanned face-down in the document feeder.
2. Click the HP Director icon in the dock.
3. Click the HP Director, and then click **Scan** to open the **HP** dialog box.
4. Click **Scan**.
5. To scan multiple pages, load the next page and click **Scan**. Repeat until all pages are scanned.
6. Click **Finish**, and then click **Destinations**.

Scan to file

1. In **Destinations**, choose **Save To File(s)**.
2. Name the file and specify the destination location.
3. Click **Save**. The original is scanned and saved.


Scan to e-mail

1. In **Destinations**, choose **E-mail**.
2. A blank e-mail opens with the scanned document as an attachment.
3. Enter an e-mail recipient, add text, or other attachments, then click **Send**.

5 Connect the product

- [Supported network operating systems](#)
- [Connect with USB](#)
- [Connect to a network \(M1210 Series only\)](#)

Supported network operating systems

 **NOTE:** Only the M1210 Series series supports network functions.

The following operating systems support network printing:

- Windows 7
- Windows Vista (Starter Edition, 32-bit, and 64-bit)
- Windows XP (32-bit, Service Pack 2)
- Windows XP (64-bit, Service Pack 1)
- Windows Server 2003 (Service Pack 1)
- Windows Server 2008 (32-bit and 64-bit)
- Mac OS X v10.4, v10.5, and v10.6

Printer sharing disclaimer


HP does not support peer-to-peer networking, as the feature is a function of Microsoft operating systems and not of the HP printer drivers. Go to Microsoft at www.microsoft.com.

Connect with USB

This product supports a USB 2.0 connection. You must use an A-to-B type USB cable that is no longer than 2 meters (6.56 feet).

CD installation

1. Insert the software installation CD into the computer CD drive.

 **NOTE:** Do not connect the USB cable until prompted.

2. If the installation program does not open automatically, browse the CD contents and run the SETUP.EXE file.
3. Follow the onscreen instructions for installing the software.


When you use the CD to install the software, you can select the following types of installations:

- Easy Install (recommended)
You are not prompted to accept or make changes to defaults.
- Advanced Install
You are prompted to accept or make changes to defaults.

HP Smart Install

 **NOTE:** This installation type is supported for Windows only.

The HP Smart Install allows you to install the product driver and software by connecting the product to a computer through a USB cable.

 **NOTE:** The installation CD is not required during an HP Smart Install. Do not insert the software installation CD into the computer CD drive.

1. Turn the product on.
2. Connect the USB cable.
3. The HP Smart Install program should start automatically. Follow the onscreen instructions to install the software.
 - If the HP Smart Install program does not start automatically, AutoPlay might be disabled on the computer. Browse the computer and double-click the HP Smart Install drive to run the program.
 - If the program prompts you to select a connections type, select the **Connect via the USB Port** option.

Connect to a network (M1210 Series only)

Supported network protocols

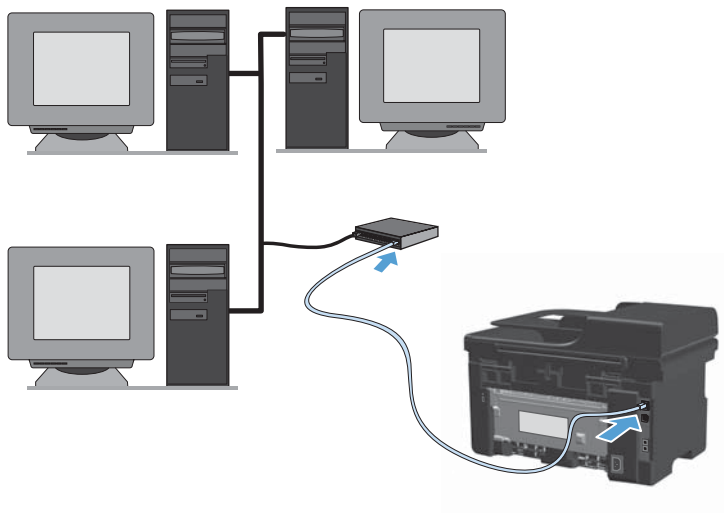
To connect a networking-equipped product to your network, you need a network that uses the following protocol.

- Functional wired TCP/IP network

Install the product on a wired network

You can install the product on a network by using the HP Smart Install or from the product CD. Before you begin the installation process, do the following:


1. Connect the CAT-5 Ethernet cable to an available port on the Ethernet hub or router. Do not connect the cable to an uplink port on the hub or router.
2. Connect the Ethernet cable to the Ethernet port on the back of the product.
3. Verify that one of the network lights (10 or 100) is illuminated on the network port located on the back of the product.



HP Smart Install on a wired network

1. Print a configuration page and locate the product IP address.
2. Open a Web browser using the computer where you want to install the product.
3. Type the IP address for the product in the address line of the browser.
4. Click the **HP Smart Install** tab.
5. Click the **Download** button.
6. Follow the onscreen instructions to complete the product installation.

CD installation on a wired network

 **NOTE:** When you use the CD to install the software, you can select the Easy Install (recommended) or the Advanced Install (you are prompted to accept or make changes to defaults) installation type.

1. Insert the software installation CD into the computer CD drive.
2. If the installation program does not open automatically, browse the CD contents and run the SETUP.EXE file.
3. Follow the on-screen instructions for setting up the product and installing the software.

 **NOTE:** Make sure that you select **Connect via the Network** when prompted.

Configure network settings

View or change network settings


Use the embedded Web server to view or change IP configuration settings.

1. Print a configuration page, and locate the IP address.
 - If you are using IPv4, the IP address contains only digits. It has this format:
xxx . xxx . xxx . xxx
 - If you are using IPv6, the IP address is a hexadecimal combination of characters and digits. It has a format similar to this:
xxxx : : xxxx : xxxx : xxxx : xxxx
2. To open the embedded Web server, type the IP address into the address line of a Web browser.
3. Click the **Networking** tab to obtain network information. You can change settings as needed.

Set or change the network password

Use the embedded Web server to set a network password or change an existing password.

1. Open the embedded Web server, click the **Networking** tab, and click the **Password** link.

 **NOTE:** If a password has previously been set, you are prompted to type the password. Type the password, and then click the **Apply** button.

2. Type the new password in the **Password** box and in the **Confirm Password** box.
3. At the bottom of the window, click the **Apply** button to save the password.

IP address

The product IP address can be set manually, or it can be configured automatically using DHCP, BootP, or AutoIP.

To change the IP address manually, use the **Networking** tab in the embedded Web server.

Link speeds and duplex settings

 **NOTE:** In this section duplex refers to bi-directional communication, not two-sided printing.

Use the **Networking** tab in the embedded Web server to set the link speed if necessary.

Incorrect changes to the link speed setting might prevent the product from communicating with other network devices. For most situations, leave the product in automatic mode. Changes can cause the product to turn off, and then on. Make changes only when the product is idle.

6 Paper and print media

- [Understand paper use](#)
- [Change the printer driver to match the paper type and size](#)
- [Supported paper sizes](#)
- [Supported paper types](#)
- [Load paper trays](#)
- [Configure trays](#)

Understand paper use

This product supports a variety of paper and other print media in accordance with the guidelines in this user guide. Paper or print media that does not meet these guidelines might cause poor print quality, increased jams, and premature wear on the product.

For best results, use only HP-brand paper and print media designed for laser printers or multiuse. Do not use paper or print media made for inkjet printers. Hewlett-Packard Company cannot recommend the use of other brands of media because HP cannot control their quality.

It is possible for paper to meet all of the guidelines in this user guide and still not produce satisfactory results. This might be the result of improper handling, unacceptable temperature and/or humidity levels, or other variables over which Hewlett-Packard has no control.

- △ **CAUTION:** Using paper or print media that does not meet Hewlett-Packard's specifications might cause problems for the product, requiring repair. This repair is not covered by the Hewlett-Packard warranty or service agreements.

Special paper guidelines

This product supports printing on special media. Use the following guidelines to obtain satisfactory results. When using special paper or print media, be sure to set the type and size in the printer driver to obtain the best results.

- △ **CAUTION:** HP LaserJet products use fusers to bond dry toner particles to the paper in very precise dots. HP laser paper is designed to withstand this extreme heat. Using inkjet paper could damage the product.

Media type	Do	Do not
Envelopes	<ul style="list-style-type: none">• Store envelopes flat.• Use envelopes where the seam extends all the way to the corner of the envelope.• Use peel-off adhesive strips that are approved for use in laser printers.	<ul style="list-style-type: none">• Do not use envelopes that are wrinkled, nicked, stuck together, or otherwise damaged.• Do not use envelopes that have clasps, snaps, windows, or coated linings.• Do not use self-stick adhesives or other synthetic materials.
Labels	<ul style="list-style-type: none">• Use only labels that have no exposed backing between them.• Use labels that lie flat.• Use only full sheets of labels.	<ul style="list-style-type: none">• Do not use labels that have wrinkles or bubbles, or are damaged.• Do not print partial sheets of labels.
Transparencies	<ul style="list-style-type: none">• Use only transparencies that are approved for use in color laser printers.• Place transparencies on a flat surface after removing them from the product.	<ul style="list-style-type: none">• Do not use transparent print media not approved for laser printers.
Letterhead or preprinted forms	<ul style="list-style-type: none">• Use only letterhead or forms approved for use in laser printers.	<ul style="list-style-type: none">• Do not use raised or metallic letterhead.

Media type	Do	Do not
Heavy paper	<ul style="list-style-type: none"> Use only heavy paper that is approved for use in laser printers and meets the weight specifications for this product. 	<ul style="list-style-type: none"> Do not use paper that is heavier than the recommended media specification for this product unless it is HP paper that has been approved for use in this product.
Glossy or coated paper	<ul style="list-style-type: none"> Use only glossy or coated paper that is approved for use in laser printers. 	<ul style="list-style-type: none"> Do not use glossy or coated paper designed for use in inkjet products.

Change the printer driver to match the paper type and size

Change the paper size and type (Windows)

1. On the **File** menu in the software program, click **Print**.
2. Select the product, and then click the **Properties** or **Preferences** button.
3. Click the **Paper/Quality** tab.
4. Select a size from the **Paper size** drop-down list.
5. Select a paper type from the **Paper type** drop-down list.
6. Click the **OK** button.

Change the paper size and type (Mac)

1. On the **File** menu in the software program, click the **Print** option.
2. In the **Copies & Pages** menu, click the **Paper Handling** menu.
3. Select a size from the **Paper Size** drop-down list, and then click the **OK** button.
4. Open the **Paper** menu.
5. Select a type from the **Type is** drop-down list.
6. Click the **Print** button.

Supported paper sizes

This product supports various paper sizes, and it adapts to various media.


 **NOTE:** To obtain best print results, select the appropriate paper size and type in your print driver before printing.

Table 6-1 Supported paper and print media sizes

Size	Dimensions	Input tray	Document feeder
Letter	216 x 279 mm (8.5 x 11 in)	✓	✓
Legal	216 x 356 mm (8.5 x 14 in)	✓	✓
A4	210 x 297 mm (8.27 x 11.69 in)	✓	✓
Executive	184 x 267 mm (7.25 x 10.5 in)	✓	✓
A5	148 x 210 mm (5.83 x 8.27 in)	✓	✓
A6	105 x 148 mm (4.13 x 5.83 in)	✓	✓
B5 (JIS)	182 x 257 mm (7.17 x 10.12 in)	✓	✓
16k	184 x 260 mm (7.24 x 10.23 in)	✓	✓
	195 x 270 mm (7.68 x 10.62 in)		
	197 x 273 mm (7.75 x 10.75 in)		
Custom		Minimum: 76 x 127 mm (3 x 5 in)	Minimum: 147 x 211 mm (5.8 x 8.3 in)
		Maximum: 216 x 356 mm (8.5 x 14.0 in)	Maximum: 216 x 356 mm (8.5 x 14.0 in)

Table 6-2 Supported envelopes and postcards

Size	Dimensions	Input tray
Envelope #10	105 x 241 mm (4.13 x 9.49 in)	✓
Envelope DL	110 x 220 mm (4.33 x 8.66 in)	✓
Envelope C5	162 x 229 mm (6.93 x 9.84 in)	✓
Envelope B5	176 x 250 mm (6.7 x 9.8 in)	✓
Envelope Monarch	98 x 191 mm (3.9 x 7.5 in)	✓
Postcard (JIS)	100 x 148 mm (3.94 x 5.83 in)	✓
Double postcard (JIS)	148 x 200 mm (5.83 x 7.87 in)	✓

Supported paper types

For a complete list of specific HP-brand paper that this product supports, go to www.hp.com/support/ljm1130series or www.hp.com/support/ljm1210series.

Input tray

The input tray supports the following paper types:

- Plain
- Light (60-74 g/m²)
- Mid-Weight (96-110 g/m²)
- Heavy (111-130 g/m²)
- Extra Heavy (131-175 g/m²)
- Transparency
- Labels
- Letterhead
- Envelope
- Preprinted
- Prepunched
- Color
- Bond
- Recycled
- Rough
- Vellum


Document feeder

The document feeder supports paper types that are within the following weight range:

- 60-90 g/m² (16-24 lb bond)
-

Load paper trays

Load the input tray

 **NOTE:** When you add new media, make sure that you remove all of the media from the input tray and straighten the stack of new media. Do not fan the media. This reduces jams by preventing multiple sheets of media from feeding through the product at one time.

1. Load the paper face-up, top forward in the input tray.



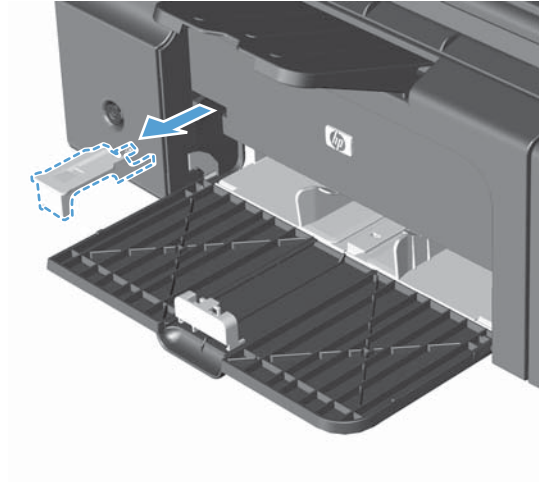
2. Adjust the guides until they are snug against the paper.



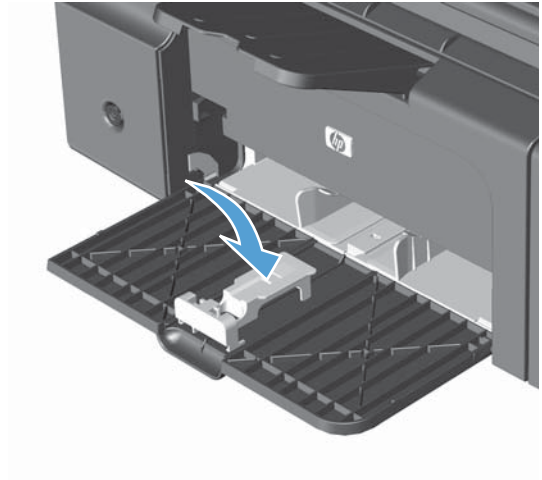
Tray adjustment for short media

To print on media shorter than 185 mm (7.28 in), use the short media extender to adjust your input tray.

1. Remove the short media extender tool from the storage slot on the left side of the media input area.



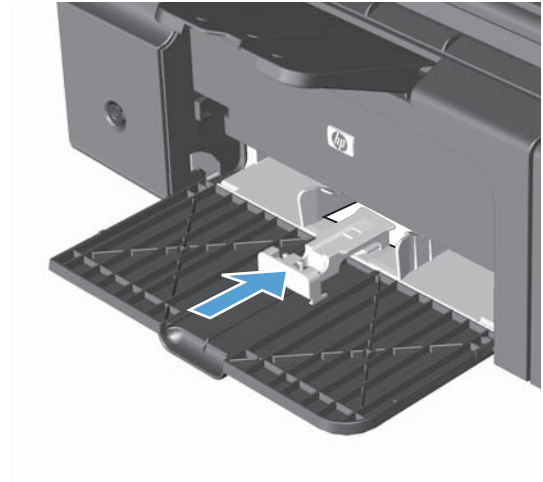
2. Attach the tool to the front media guide.



3. Insert the paper into the product, and adjust the side media guides so they are snug against the paper.





4. Push the paper into the product until it stops, and then slide the front media guide so the tool supports the paper.



5. When finished printing with short media, remove the short media extender tool, and then place it back in the storage slot.

Load the document feeder (M1210 Series only)

 **NOTE:** When you add new media, make sure that you remove all of the media from the input tray and straighten the stack of new media. Do not fan the media. This reduces jams by preventing multiple sheets of media from feeding through the product at one time.

 **CAUTION:** To prevent damage to the product, do not load an original document that contains correction tape, correction fluid, paper clips, or staples. Also, do not load photographs, small originals, or fragile originals into the document feeder.

1. Insert the originals into the document feeder face-up.



2. Adjust the guides until they are snug against the paper.



Tray and bin capacity

Tray or bin	Paper type	Specifications	Quantity
Input tray	Paper	Range: 60 g/m ² (16 lb) bond to 163 g/m ² (43 lb) bond	150 sheets of 60 g/m ² (16 lb) bond
	Envelopes	60 g/m ² (16 lb) bond to 90 g/m ² (24 lb) bond	Up to 10 envelopes
	Transparencies	Minimum 0.13 mm (0.005 in) thick	Up to 75 transparencies
Output bin	Paper	Range: 60 g/m ² (16 lb) bond to 163 g/m ² (43 lb) bond	Up to 100 sheets of 75 g/m ² (20 lb) bond
	Envelopes	Less than 60 g/m ² (16 lb) bond to 90 g/m ² (24 lb) bond	Up to 10 envelopes
	Transparencies	Minimum 0.13 mm (0.005 in) thick	Up to 75 transparencies
Document feeder (M1210 Series only)	Paper	Range: 60 g/m ² (16 lb) bond to 90 g/m ² (24 lb) bond	Up to 35 sheets

Paper orientation for loading trays

If you are using paper that requires a specific orientation, load it according to the information in the following table.

Paper type	How to load paper
Preprinted or letterhead	<ul style="list-style-type: none"> • Face up • Top edge leading into the product
Prepunched	<ul style="list-style-type: none"> • Face up • Holes toward the left side of the product
Envelope	<ul style="list-style-type: none"> • Face up • Left short edge leading into the product

Configure trays

Change the default paper-size setting (M1130 Series)

1. Use the printer driver to change the default settings. Follow the appropriate procedure, depending on the operating system you are using.

Windows XP, Windows Server 2003, and Windows Server 2008 (using the default Start menu view)

- a. Click **Start**, and then click **Printers and Faxes**.
- b. Right-click the driver icon, and then select **Properties**.
- c. Click the **Device Settings** tab.


Windows XP, Windows Server 2003, and Windows Server 2008 (using the Classic Start menu view)

- a. Click **Start**, click **Settings**, and then click **Printers**.
- b. Right-click the driver icon, and then select **Properties**.
- c. Click the **Device Settings** tab.


Windows Vista

- a. Click **Start**, click **Control Panel**, and then in the category for **Hardware and Sound** click **Printer**.
- b. Right-click the driver icon, and then select **Properties**.
- c. Click the **Device Settings** tab.

Mac OS X 10.4

- a. From the Apple menu , click the **System Preferences** menu and then click the **Print & Fax** icon.
- b. Click the **Printer Setup** button.

Mac OS X 10.5 and 10.6

- a. From the Apple menu , click the **System Preferences** menu and then click the **Print & Fax** icon.
- b. Select the product in the left side of the window.
- c. Click the **Options & Supplies** button.
- d. Click the **Driver** tab.

2. Select the appropriate paper size.

Change the default paper-size setting (M1210 Series)

1. Press the **Setup** button.
2. Use the arrow buttons to select the **System setup** menu, and then press the **OK** button.

3. Use the arrow buttons to select the **Paper setup** menu, and then press the **OK** button.
4. Use the arrow buttons to select the **Def. paper size** menu, and then press the **OK** button.
5. Use the arrow buttons to select a size, and then press the **OK** button.

Change the default paper-type setting (M1130 Series)

You cannot set a default paper type for this model.


Change the default paper-type setting (M1210 Series)

1. Press the **Setup** button.
2. Use the arrow buttons to select the **System setup** menu, and then press the **OK** button.
3. Use the arrow buttons to select the **Paper setup** menu, and then press the **OK** button.
4. Use the arrow buttons to select the **Def. paper type** menu, and then press the **OK** button.
5. Use the arrow buttons to select a type, and then press the **OK** button.



7 Print tasks

- [Cancel a print job](#)
- [Print with Windows](#)

Cancel a print job

1. If the print job is currently printing, cancel it by pressing the Cancel  button on the product control panel.



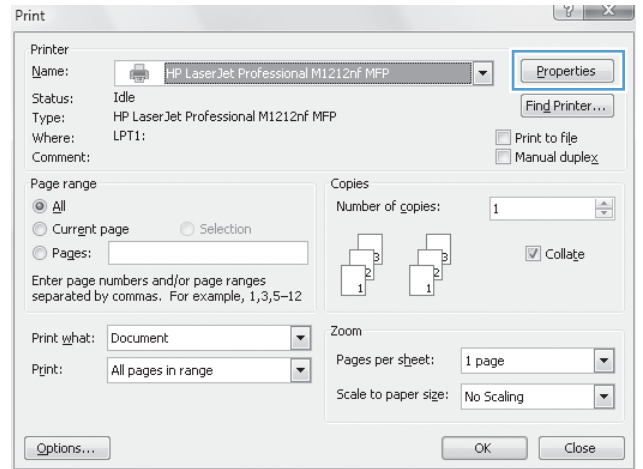
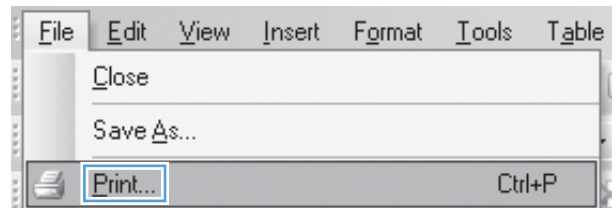
NOTE: Pressing the Cancel  button clears the job that the product is currently processing. If more than one process is running, pressing the Cancel  button clears the process that currently appears on the product control panel.

2. You can also cancel a print job from a software program or a print queue.
 - **Software program:** Typically, a dialog box appears briefly on the computer screen, allowing you to cancel the print job.
 - **Windows print queue:** If a print job is waiting in a print queue (computer memory) or print spooler, delete the job there.
 - **Windows XP, Server 2003, or Server 2008:** Click **Start**, click **Settings**, and then click **Printers and Faxes**. Double-click the product icon to open the window, right-click the print job that you want to cancel, and then click **Cancel**.
 - **Windows Vista:** Click **Start**, click **Control Panel**, and then, under **Hardware and Sound**, click **Printer**. Double-click the product icon to open the window, right-click the print job that you want to cancel, and then click **Cancel**.
 - **Macintosh print queue:** Open the print queue by double-clicking the product icon in the dock. Highlight the print job, and then click **Delete**.

Print with Windows

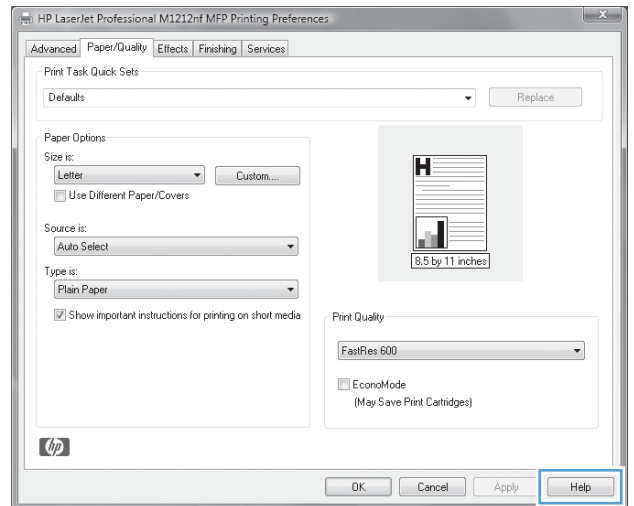
Open the printer driver with Windows

1. On the **File** menu in the software program, click **Print**.
2. Select the product, and then click the **Properties** or **Preferences** button.



Get help for any printing option with Windows

1. Click the **Help** button to open the online Help.



Change the number of print copies with Windows

1. On the **File** menu in the software program, click **Print**.
2. Select the product, and then click the **Properties** or **Preferences** button.
3. Click the **Advanced** tab.
4. In the **Copies** area, use the arrow buttons to adjust the number of copies.
If you are printing multiple copies, click the **Collate** check box to collate the copies.

Print colored text as black with Windows

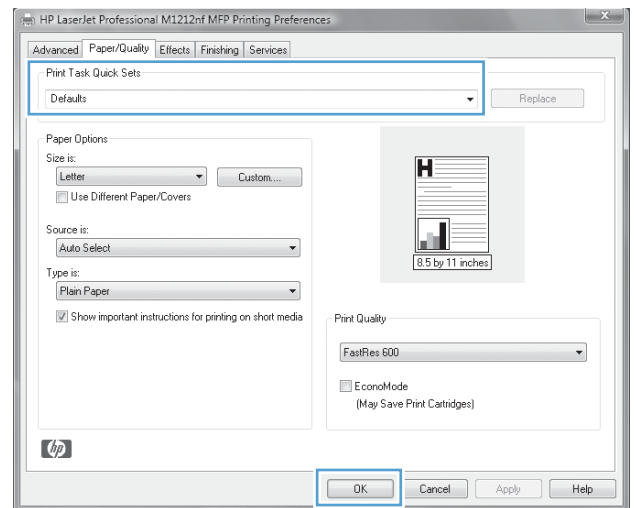
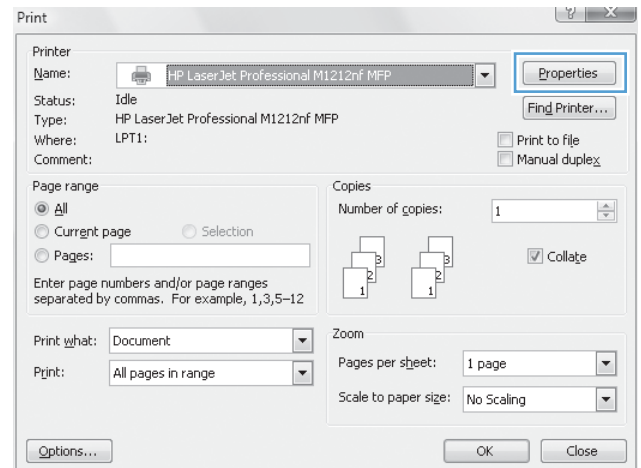
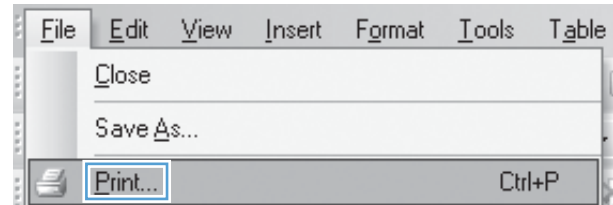
1. On the **File** menu in the software program, click **Print**.
2. Select the product, and then click the **Properties** or **Preferences** button.
3. Click the **Advanced** tab.
4. Click the **Print All Text as Black** check box. Click the **OK** button.

Save custom print settings for reuse with Windows

Use a printing quick set

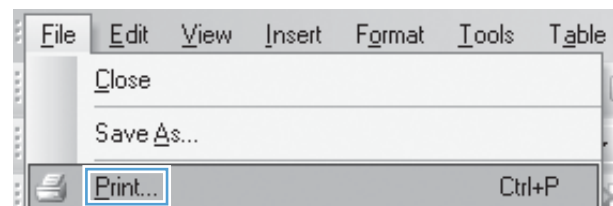
1. On the **File** menu in the software program, click **Print**.
2. Select the product, and then click the **Properties** or **Preferences** button.
3. In the **Print Task Quick Sets** drop-down list, select one of the quick sets, and then click the **OK** button to print the job with the predefined settings.

NOTE: The **Print Task Quick Sets** drop-down list appears on all tabs except the **Services** tab.

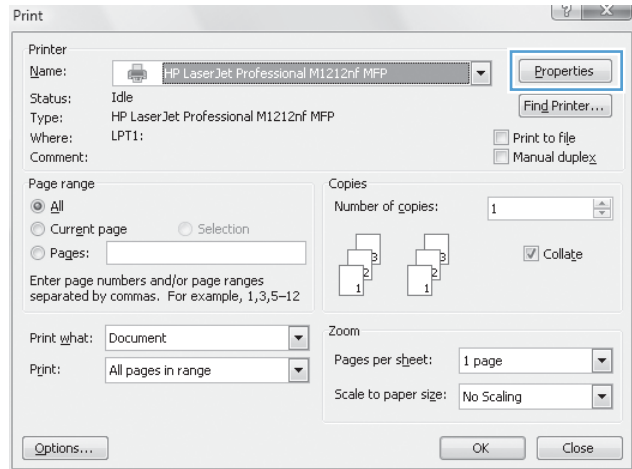


Create a custom printing quick set

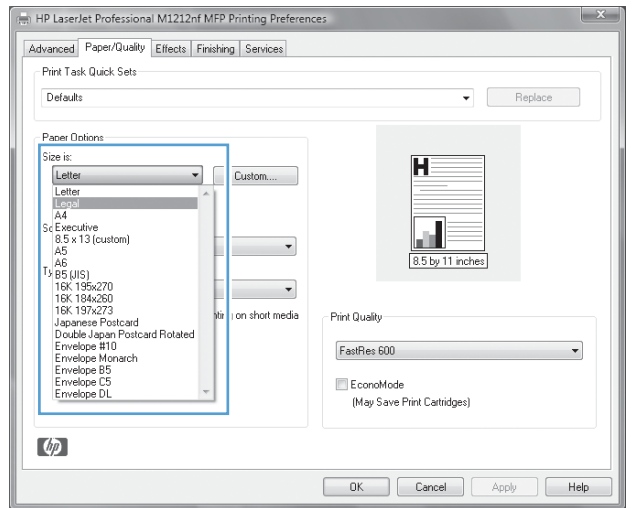
1. On the **File** menu in the software program, click **Print**.



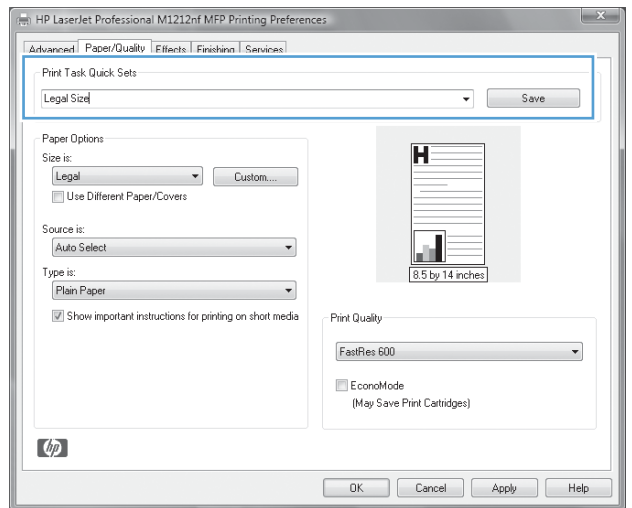
2. Select the product, and then click the **Properties** or **Preferences** button.



3. Select the print options for the new quick set.



4. Type a name for the new quick set, and click the **Save** button.



Improve print quality with Windows

Select a page size

1. On the **File** menu in the software program, click **Print**.
2. Select the product, and then click the **Properties** or **Preferences** button.
3. Click the **Paper/Quality** tab.
4. Select a size from the **Size is** drop-down list.

Select a custom page size


1. On the **File** menu in the software program, click **Print**.
2. Select the product, and then click the **Properties** or **Preferences** button.
3. Click the **Paper/Quality** tab.
4. Click the **Custom** button. The **Custom Paper Size** dialog box opens.
5. Type a name for the custom size, specify the dimensions, and then click the **Save** button.
6. Click the **Close** button, and then click the **OK** button.

Select a paper type

1. On the **File** menu in the software program, click **Print**.
2. Select the product, and then click the **Properties** or **Preferences** button.
3. Click the **Paper/Quality** tab.
4. Select a type from the **Type is** drop-down list.

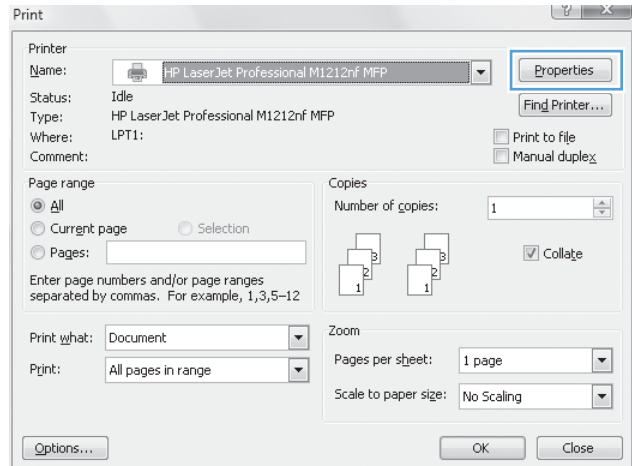
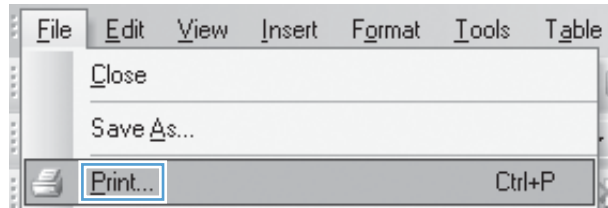
Select the print resolution

1. On the **File** menu in the software program, click **Print**.
2. Select the product, and then click the **Properties** or **Preferences** button.
3. Click the **Paper/Quality** tab.
4. In the **Print Quality** area, select an option from the drop-down list. See the printer-driver online Help for information about each of the available options.

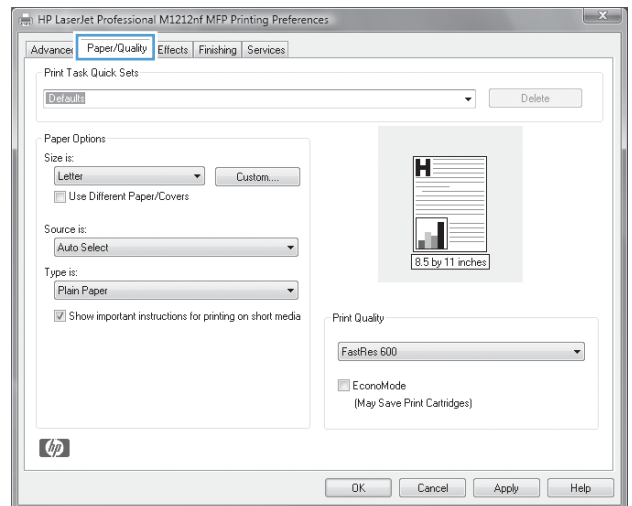
 **NOTE:** To use a draft-quality resolution, in the **Print Quality** area, click the **EconoMode** check box.

Print on preprinted letterhead or forms with Windows

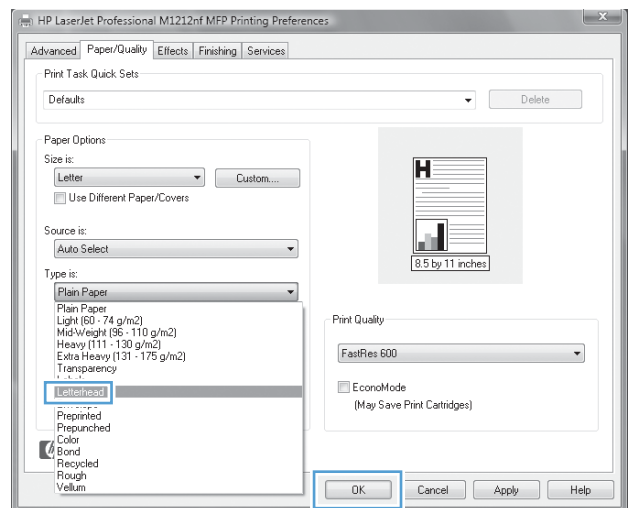
1. On the **File** menu in the software program, click **Print**.
2. Select the product, and then click the **Properties** or **Preferences** button.



3. Click the **Paper/Quality** tab.

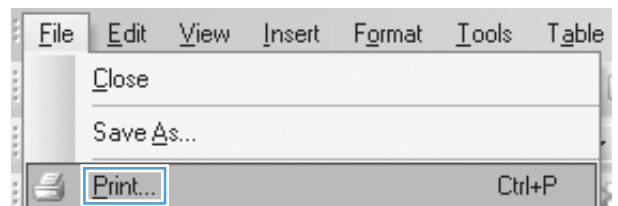


4. From the **Type is** drop-down list, select the type of paper you are using, and click the **OK** button.

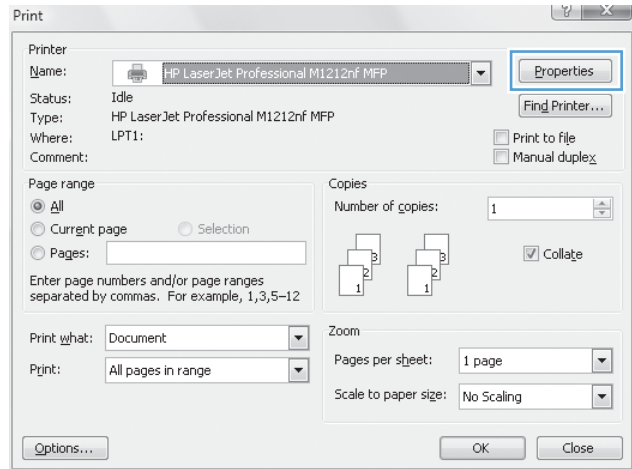


Print on special paper, labels, or transparencies with Windows

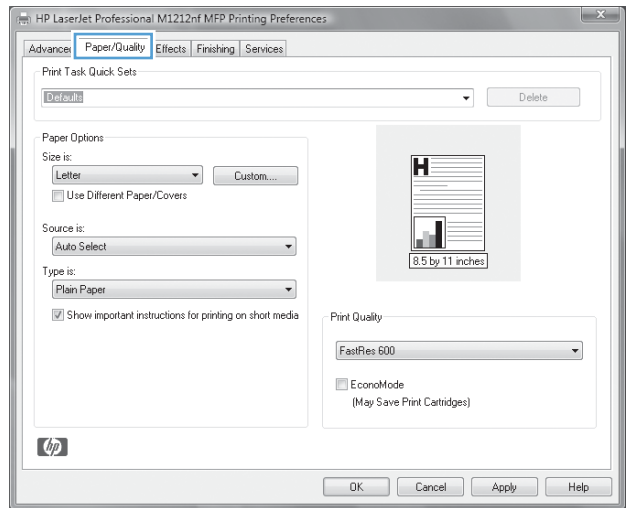
1. On the **File** menu in the software program, click **Print**.



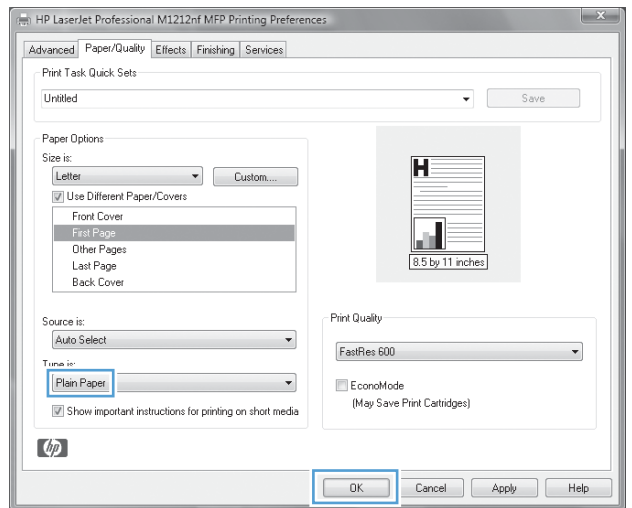
2. Select the product, and then click the **Properties** or **Preferences** button.



3. Click the **Paper/Quality** tab.

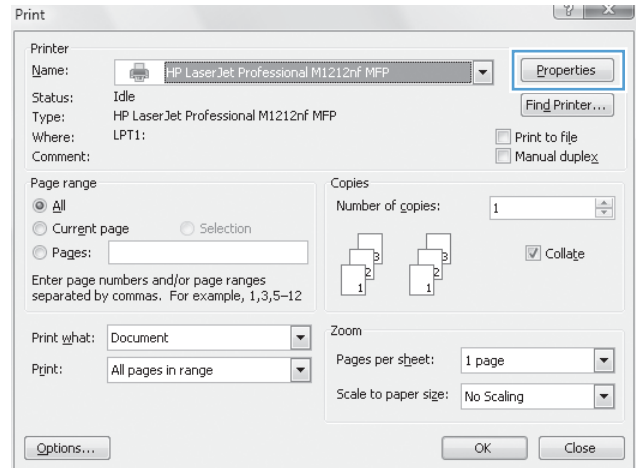
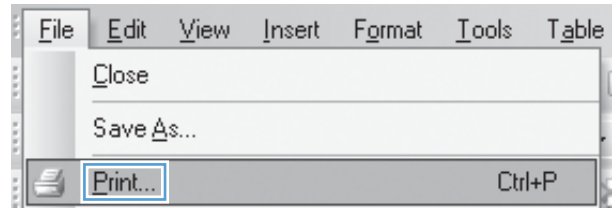


4. From the **Type is** drop-down list, select the type of paper you are using, and click the **OK** button.

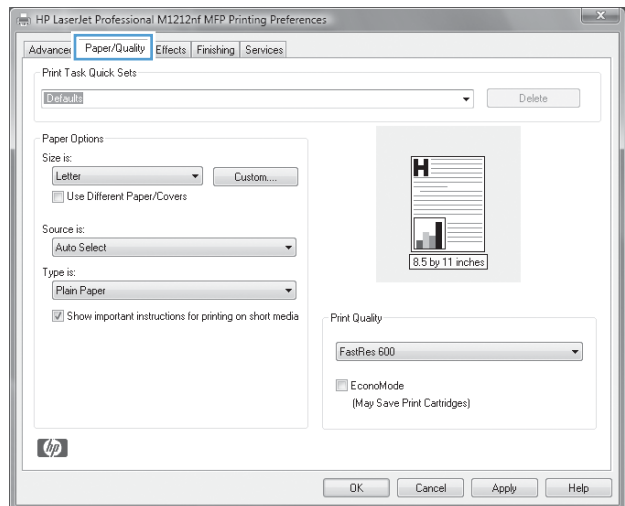


Print the first or last page on different paper with Windows

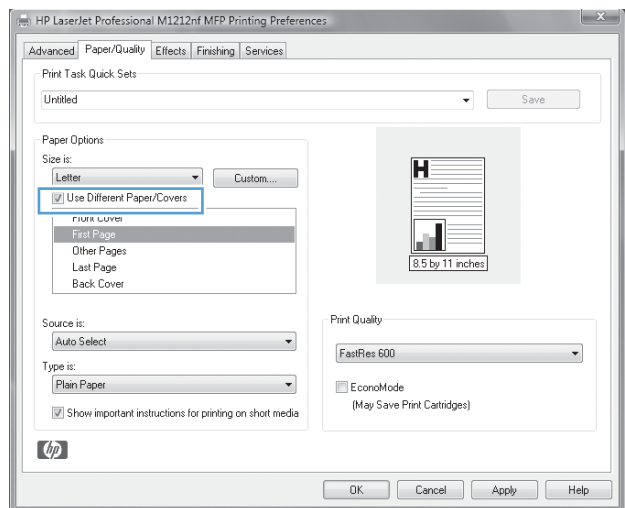
1. On the **File** menu in the software program, click **Print**.
2. Select the product, and then click the **Properties** or **Preferences** button.



3. Click the **Paper/Quality** tab.

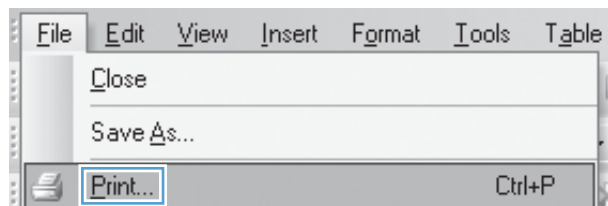


4. Click the **Use Different Paper/Covers** check box, and then select the necessary settings for the front cover, other pages, last page, and back cover.

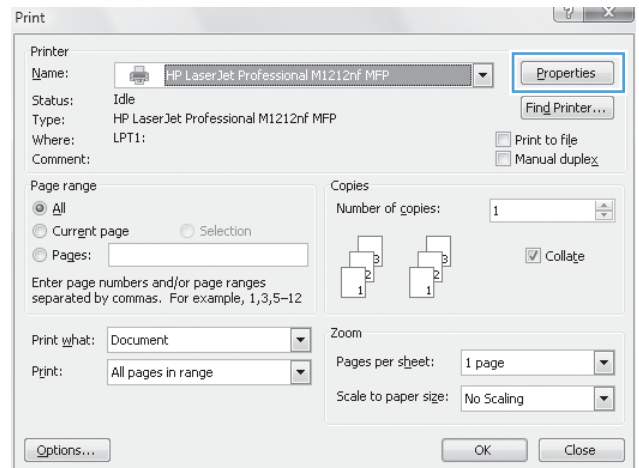


Scale a document to fit page size

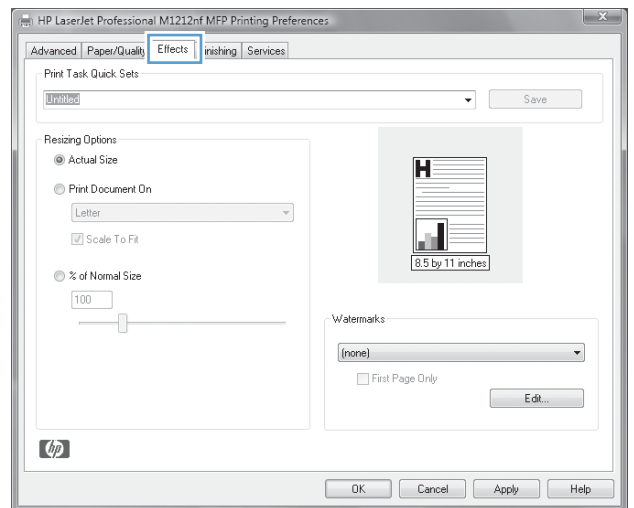
1. On the **File** menu in the software program, click **Print**.



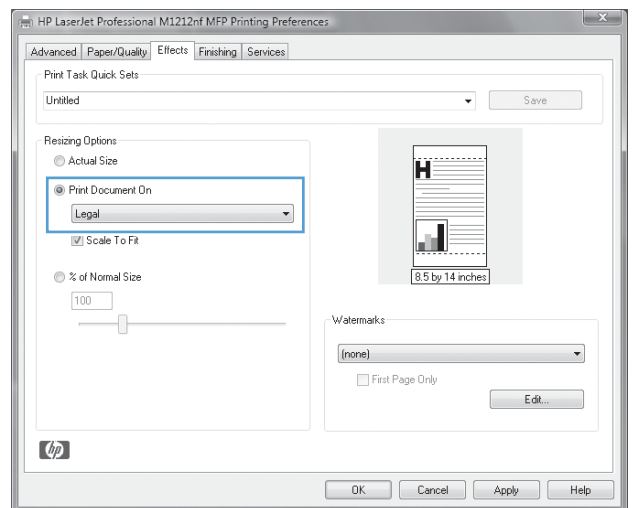
2. Select the product, and then click the **Properties** or **Preferences** button.



3. Click the **Effects** tab.



4. Select the **Print Document On** option, and then select a size from the drop-down list.



Add a watermark to a document with Windows

1. On the **File** menu in the software program, click **Print**.
2. Select the product, and then click the **Properties** or **Preferences** button.
3. Click the **Effects** tab.
4. Select a watermark from the **Watermarks** drop-down list.

To print the watermark on the first page only, click the **First Page Only** check box. Otherwise, the watermark is printed on each page.

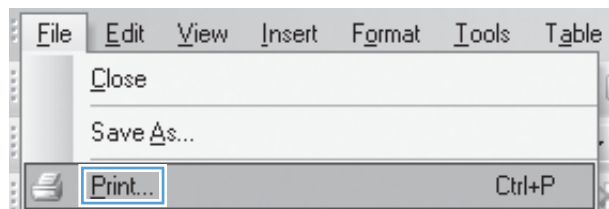
Print on both sides (duplex) with Windows

Manually print on both sides (duplex) with Windows

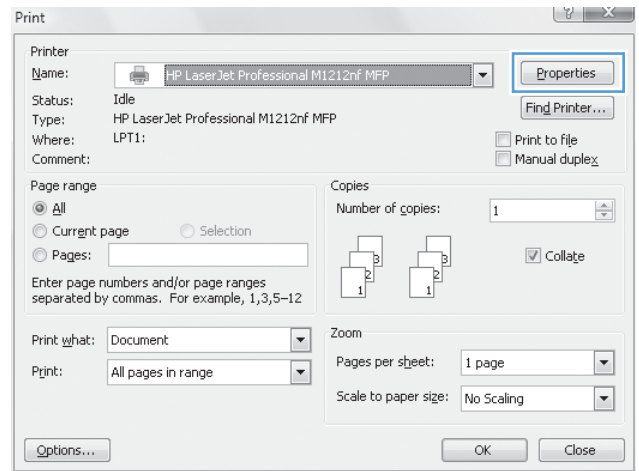
1. Load paper face-up in the input tray.



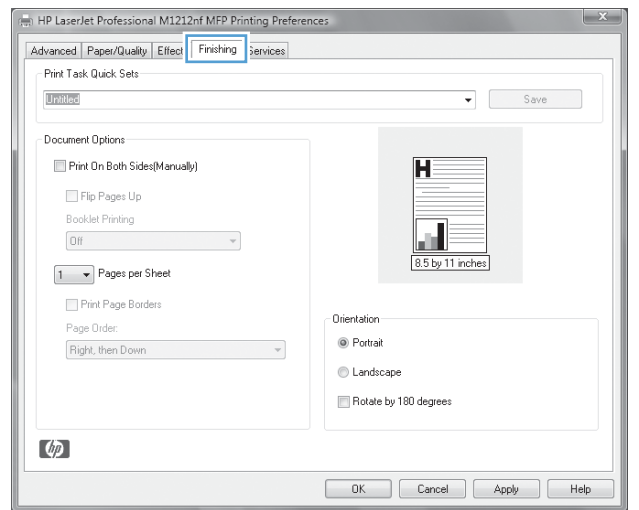
2. On the **File** menu in the software program, click **Print**.



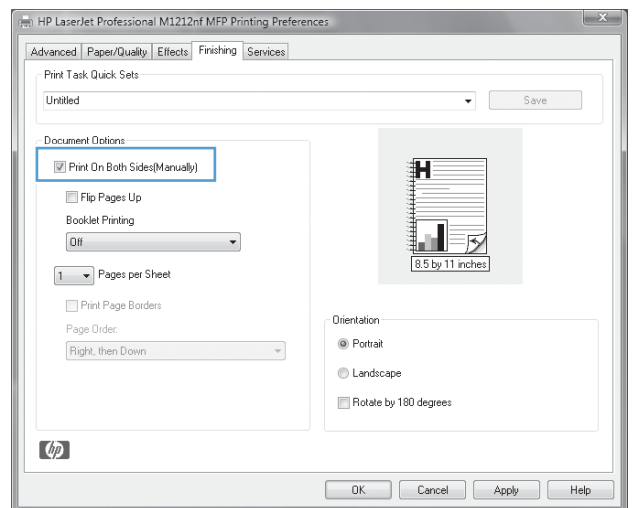
3. Select the product, and then click the **Properties** or **Preferences** button.



4. Click the **Finishing** tab.



5. Select the **Print on both sides (manually)** check box. Click the **OK** button to print the first side of the job.



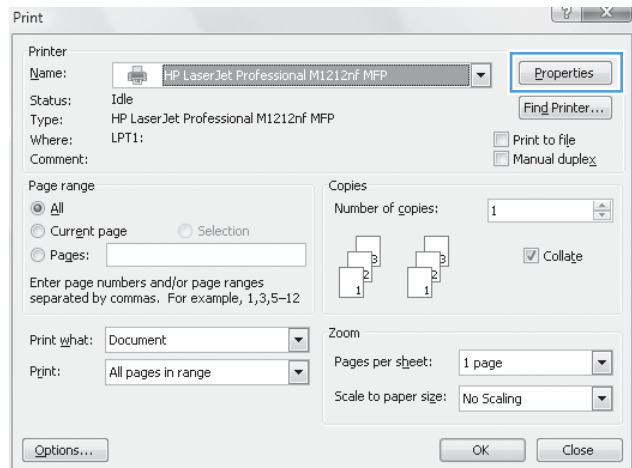
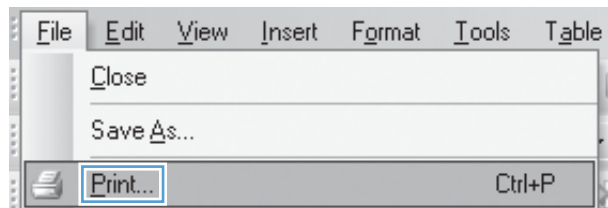
- Retrieve the printed stack from the output bin, and, maintaining the paper orientation, place it with the printed-side facing down in the input tray.



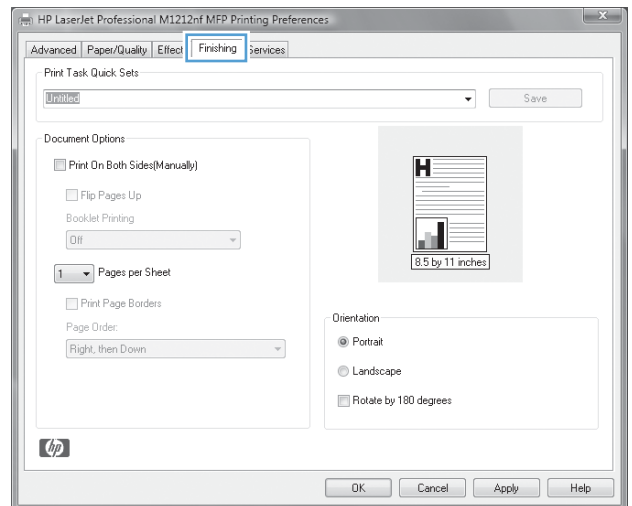
- At the computer, click the **Continue** button to print the second side of the job.

Create a booklet with Windows

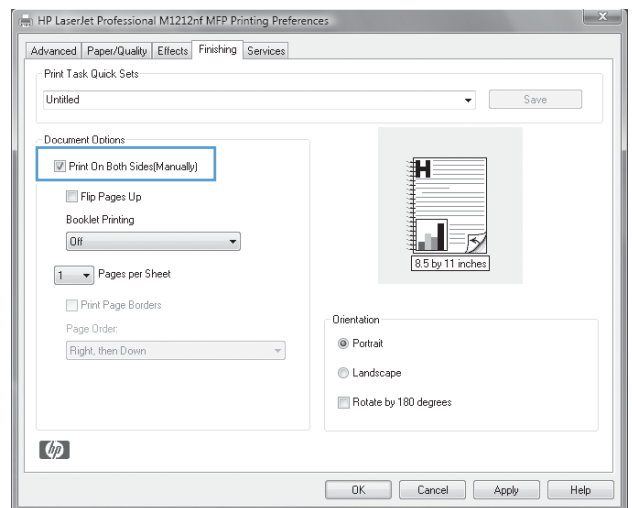
- On the **File** menu in the software program, click **Print**.
- Select the product, and then click the **Properties** or **Preferences** button.



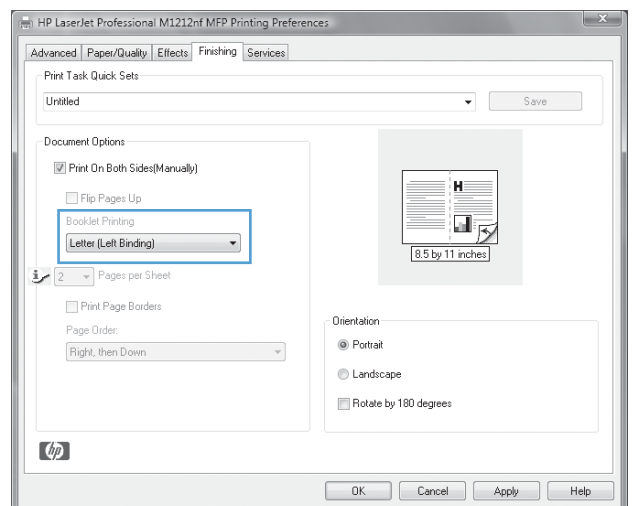
3. Click the **Finishing** tab.



4. Click the **Print on both sides (manually)** check box.

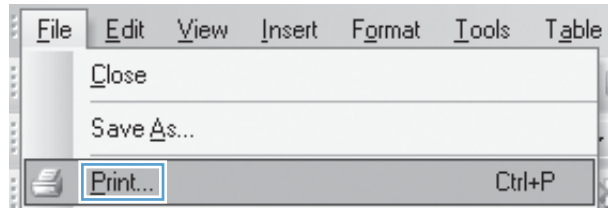


5. In the **Booklet Printing** drop-down list, select a binding option. The **Pages per sheet** option automatically changes to **2 pages per sheet**.

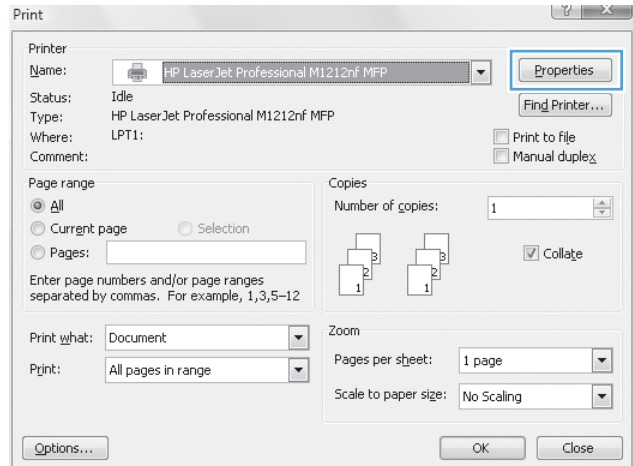


Print multiple pages per sheet with Windows

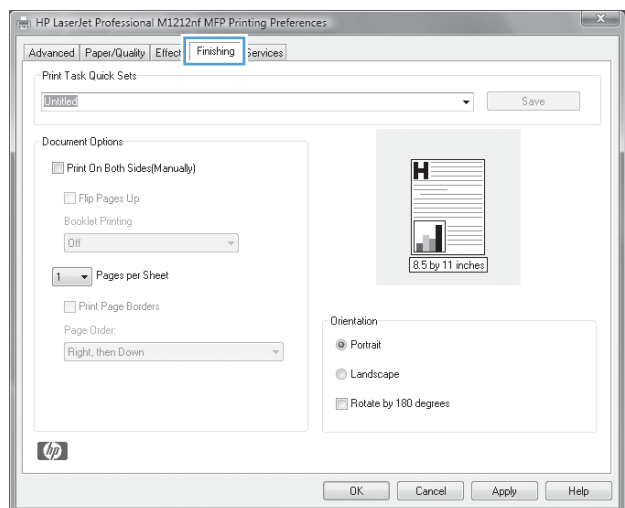
1. On the **File** menu in the software program, click **Print**.



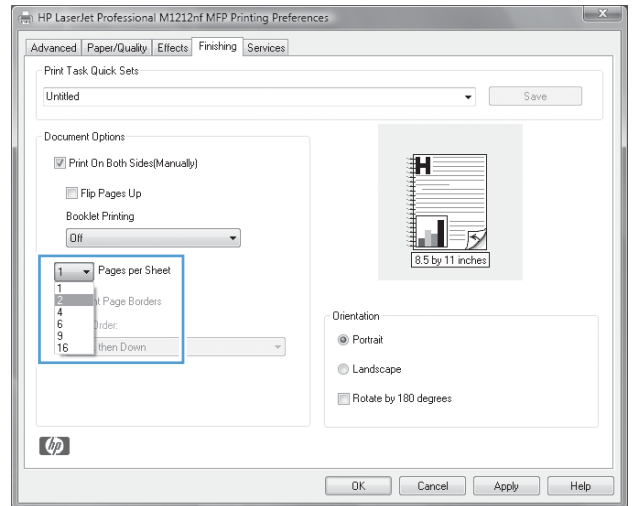
2. Select the product, and then click the **Properties** or **Preferences** button.



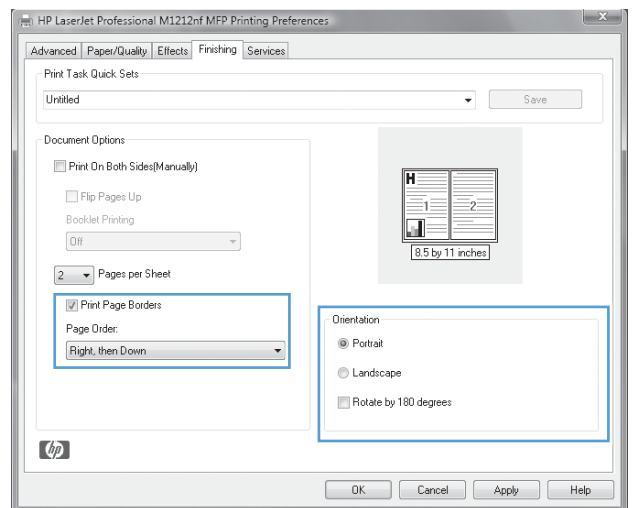
3. Click the **Finishing** tab.



4. Select the number of pages per sheet from the **Pages per sheet** drop-down list.

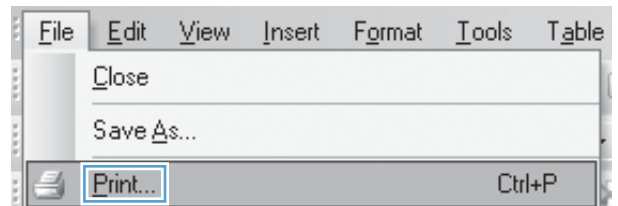


5. Select the correct **Print page borders**, **Page order**, and **Orientation** options.

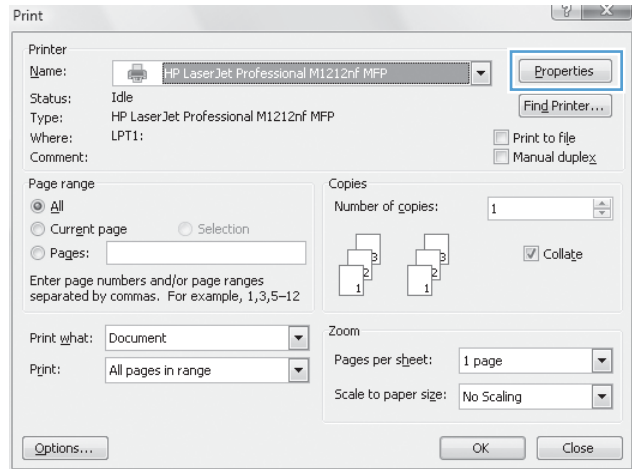


Select page orientation with Windows

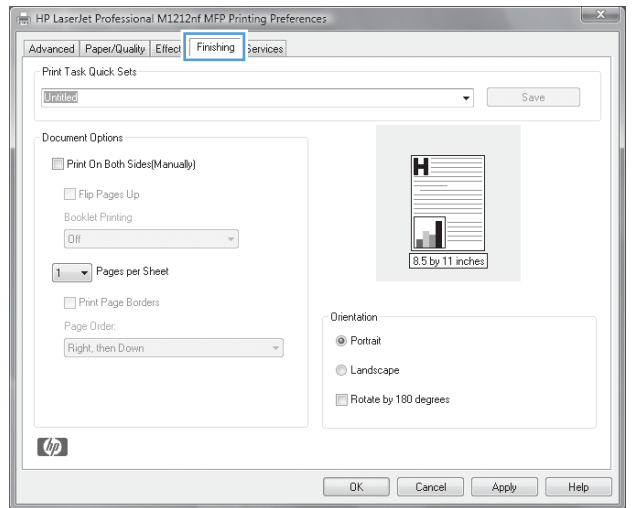
1. On the **File** menu in the software program, click **Print**.



2. Select the product, and then click the **Properties** or **Preferences** button.

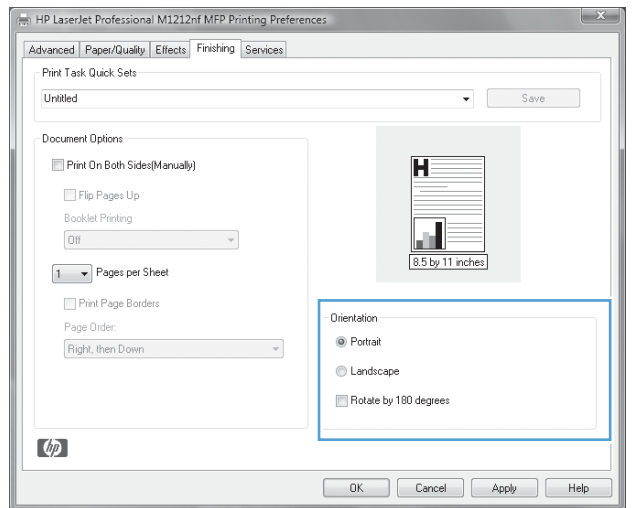


3. Click the **Finishing** tab.



4. In the **Orientation** area, select the **Portrait** or **Landscape** option.

To print the page image upside down, select the **Rotate by 180 degrees** option.



8 Copy


- [Use copy functions](#)
- [Copy settings](#)
- [Copy on both sides \(duplex\)](#)

Use copy functions

One-touch copy

1. Load the document onto the scanner glass or into the document feeder (M1210 Series).





2. Press the Start Copy  button to start copying.
3. Repeat the process for each copy.


Multiple copies

Create multiple copies (M1130 Series)

1. Load the document onto the scanner glass.




2. Press the Setup  button, and make sure that the Number of Copies  light is on.

3. Press the arrow buttons to adjust the number of copies.
4. Press the Start Copy  button to start copying.


Create multiple copies (M1210 Series)


1. Load the document onto the scanner glass or into the document feeder.



2. Use the keypad to enter the number of copies.
3. Press the Start Copy  button to start copying.



Copy a multiple-page original

M1130 Series: Load the first page onto the scanner glass, and press the Start Copy  button. Repeat this process for each page.

M1210 Series: Load a stack of original documents into the document feeder, and press the Start Copy  button.

Copy identification cards (M1210 Series only)



Use the ID copy feature to copy both sides of identification cards, or other small-size documents, onto the same side of one sheet of paper. The product scans half of the image area, prompts you to turn the document over, and then scans again. The product prints both images at the same time.

1. Place the first side of the document face-down on the scanner glass.
2. Press the Copy Settings  button three times to open the **ID Copy** menu. Press the **OK** button.
3. The product scans the first page of the document and then prompts you to load the next page. Open the scanner lid and turn the document over. Press the **OK** button.
4. For multiple-page documents, repeat these steps until you have scanned all the pages.
5. Press the Start Copy  button to print the pages.

Cancel a copy job



Cancel a copy job (M1130 Series)

- Press the Cancel  button on the product control panel.

 **NOTE:** If more than one process is running, pressing the Cancel  button clears the current process and all pending processes.

Cancel a copy job (M1210 Series)

1. Press the Cancel  button on the product control panel.

 **NOTE:** If more than one process is running, pressing the Cancel  button clears the current process and all pending processes.

2. Remove the remaining pages from the document feeder.
3. Press the **OK** button to eject the remaining pages from the document-feeder paper path.

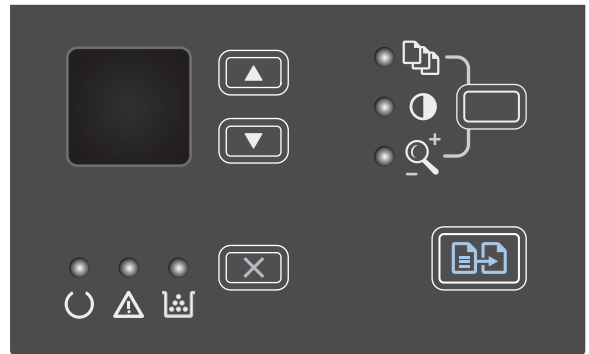
Reduce or enlarge a copy image




Reduce or enlarge copies (M1130 Series)

1. Load the document onto the scanner glass.



2. Press the Setup  button repeatedly until the Reduce/Enlarge  light is on.



3. Press the up arrow  to increase the copy size, or press the down arrow  to decrease the copy size.
4. Press the Start Copy  button to start copying.


Reduce or enlarge copies (M1210 Series)

1. Load the document onto the scanner glass or into the document feeder.



2. Press the Copy Settings  button one time to open the **Reduce/Enlarge** menu.



3. Use the arrow buttons to select the correct reduction or enlargement option, and then press the **OK** button.
4. Press the Start Copy  button to start copying.

Collate a copy job

M1130 Series: The product cannot automatically collate copies.

Collate copies (M1210 Series)

1. Press the Setup  button.



2. Use the arrow buttons to select the **Copy setup** menu, and then press the **OK** button.
3. Use the arrow buttons to select the **Def. Collation** option, and then press the **OK** button.
4. Use the arrow buttons to select the **On** option, and then press the **OK** button.


Copy settings

Change copy quality

The following copy-quality settings are available:

- **Text:** Use this setting for documents that contain mostly text. This is the default setting for the M1210 Series models.
- **Draft:** Use this setting when you are not concerned about the quality of the copy. This setting uses less toner.
- **Mixed:** Use this setting for documents that contain a mixture of text and graphics. This is the default setting for the M1130 Series models.
- **Film photo:** Use this setting to copy photographs.
- **Picture:** Use this setting to copy non-photographic graphics.

Change the copy quality setting (M1130 Series)

 **NOTE:** For this model, you cannot change the copy-quality setting for individual copy jobs. Use this procedure to change the default copy-quality setting for all copy jobs.

1. Use the printer driver to change the default settings. Follow the appropriate procedure, depending on the operating system you are using.

Windows XP, Windows Server 2003, and Windows Server 2008 (using the default Start menu view)

- a. Click **Start**, and then click **Printers and Faxes**.
- b. Right-click the driver icon, and then select **Properties**.
- c. Click the **Device Settings** tab.

Windows XP, Windows Server 2003, and Windows Server 2008 (using the Classic Start menu view)

- a. Click **Start**, click **Settings**, and then click **Printers**.
- b. Right-click the driver icon, and then select **Properties**.
- c. Click the **Device Settings** tab.


Windows Vista

- a. Click **Start**, click **Control Panel**, and then in the category for **Hardware and Sound** click **Printer**.
- b. Right-click the driver icon, and then select **Properties**.
- c. Click the **Device Settings** tab.

Mac OS X 10.4

- a. From the Apple menu , click the **System Preferences** menu and then click the **Print & Fax** icon.
- b. Click the **Printer Setup** button.

Mac OS X 10.5 and 10.6

- a. From the Apple menu , click the **System Preferences** menu and then click the **Print & Fax** icon.
 - b. Select the product in the left side of the window.
 - c. Click the **Options & Supplies** button.
 - d. Click the **Driver** tab.
2. Select the appropriate **Copy Quality** setting.

Change the copy quality setting (M1210 Series)

1. Press the Copy Settings  button two times to open the **Copy Quality** menu.



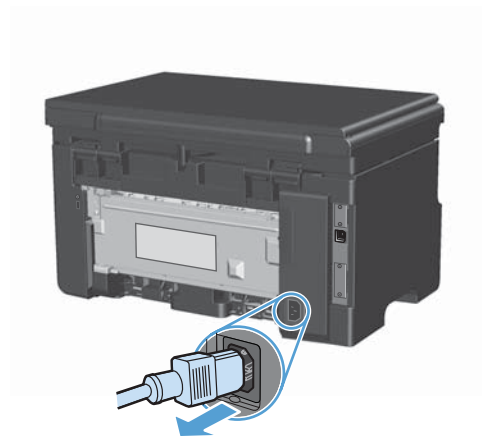
2. Use the arrow buttons to select a copy-quality option, and press the **OK** button.

NOTE: The setting returns to the default value after two minutes.

Check the scanner glass for dirt and smudges

Over time, specks of debris might collect on the scanner glass and white plastic backing, which can affect performance. Use the following procedure to clean the scanner glass and white plastic backing.

1. Use the power switch to turn off the product, and then unplug the power cord from the electrical socket.



2. Open the scanner lid.

3. Clean the scanner glass and the white plastic backing with a soft cloth or sponge that has been moistened with nonabrasive glass cleaner.

CAUTION: Do not use abrasives, acetone, benzene, ammonia, ethyl alcohol, or carbon tetrachloride on any part of the product; these can damage the product. Do not place liquids directly on the glass or platen. They might seep and damage the product.

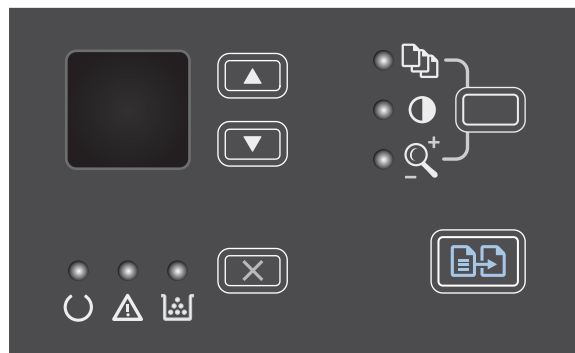


4. Dry the glass and white plastic with a chamois or a cellulose sponge to prevent spotting.
5. Plug in the product, and then use the power switch to turn on the product.

Adjust the lightness or darkness for copies

Adjust the lightness or darkness for copies (M1130 Series)


1. Press the **Setup** button repeatedly until the Lighter/Darker  light is on.



2. Use the arrow buttons to increase or decrease the Lighter/Darker setting.

NOTE: The setting returns to the default value after two minutes.

Adjust the lightness or darkness for copies (M1210 Series)

1. Press the Lighter/Darker  button.



2. Use the arrow buttons to increase or decrease the Lighter/Darker setting.



NOTE: The setting returns to the default value after two minutes.

Copy on both sides (duplex)

Copy a two-sided original to a one-sided document

1. Load the first page of the document onto the scanner glass or into the document feeder (M1210 Series).




2. Press the Start Copy  button.
3. Flip the original, and then reload it onto the scanner glass or into the document feeder.
4. Press the Start Copy  button.
5. Repeat steps 1 through 4 for each page until all of the original document pages have been copied.

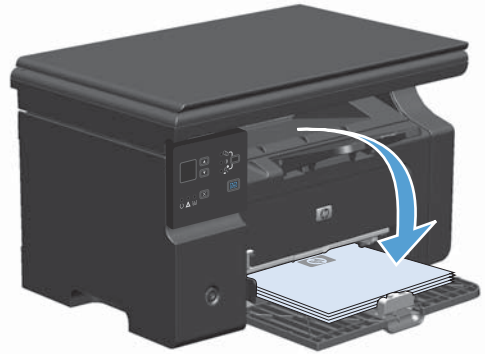
Copy a two-sided original to a two-sided document


1. Load the first page of the document onto the scanner glass or into the document feeder (M1210 Series).



2. Press the Start Copy  button.
3. Flip the original, and then reload it onto the scanner glass or into the document feeder.

4. Remove the copied page from the output bin and place it face down into the input tray.



5. Press the Start Copy  button.
6. Remove the copied page from the output bin, and then set it aside for manual collating.
7. Repeat steps 1 through 6, following the original document page order, until all pages of the original are copied.

9 Scan


- [Use scan functions](#)
- [Scan settings](#)

Use scan functions

Scan methods


Scan jobs can be performed in the following ways.

- Scan from the computer by using HP LaserJet Scan (Windows)
- Scan by using HP Director (Mac)
- Scan from TWAIN-compliant or Windows Imaging Application (WIA)-compliant software

 **NOTE:** To learn about and use text-recognition software, install the Readiris program from the software CD-ROM. Text-recognition software is also known as optical character recognition (OCR) software.

Scan by using HP LaserJet Scan (Windows)

1. In the HP program group, select **Scan to** to start HP LaserJet Scan.
2. Select a scanning destination.
3. Click **Scan**.

 **NOTE:** **OK** should indicate the action that you want to accomplish.

Scan by using HP Director (Mac)

Use page-by-page scanning

1. Load the original that is to be scanned face-down in the document feeder.
2. Click the HP Director icon in the dock.
3. Click the HP Director, and then click **Scan** to open the **HP** dialog box.
4. Click **Scan**.
5. To scan multiple pages, load the next page and click **Scan**. Repeat until all pages are scanned.
6. Click **Finish**, and then click **Destinations**.

Scan to file

1. In **Destinations**, choose **Save To File(s)**.
2. Name the file and specify the destination location.
3. Click **Save**. The original is scanned and saved.

Scan to e-mail

1. In **Destinations**, choose **E-mail**.
2. A blank e-mail opens with the scanned document as an attachment.
3. Enter an e-mail recipient, add text, or other attachments, then click **Send**.

Scan by using other software

The product is TWAIN-compliant and Windows Imaging Application (WIA)-compliant. The product works with Windows-based programs that support TWAIN-compliant or WIA-compliant scanning devices and with Macintosh-based programs that support TWAIN-compliant scanning devices.

While you are in a TWAIN-compliant or WIA-compliant program, you can gain access to the scanning feature and scan an image directly into the open program. For more information, see the Help file or the documentation that came with your TWAIN-compliant or WIA-compliant software program.

Scan from a TWAIN-compliant program

Generally, a software program is TWAIN-compliant if it has a command such as **Acquire, File Acquire, Scan, Import New Object, Insert from,** or **Scanner**. If you are unsure whether the program is compliant or you do not know what the command is called, see the software program Help or documentation.

When scanning from a TWAIN-compliant program, the HP LaserJet Scan software program might start automatically. If the HP LaserJet Scan program starts, you can make changes while previewing the image. If the program does not start automatically, the image goes to the TWAIN-compliant program immediately.

Start the scan from within the TWAIN-compliant program. See the software program Help or documentation for information about the commands and steps to use.

Scan from a WIA-compliant program

WIA is another way to scan an image directly into a software program, such as Microsoft Word. WIA uses Microsoft software to scan, instead of HP LaserJet Scan software.

Generally, a software program is WIA-compliant if it has a command such as **Picture/From Scanner or Camera** in the Insert or File menu. If you are unsure whether the program is WIA-compliant, see the software program Help or documentation.

Start the scan from within the WIA-compliant program. See the software program Help or documentation for information about the commands and steps to use.

-Or-

In the Cameras and Scanner folder, double-click the product icon. This opens the standard Microsoft WIA Wizard, which enables you to scan to a file.

Scanning by using optical character recognition (OCR) software


You can use third-party OCR software to import scanned text into your preferred word-processing program for editing.

Readiris

The Readiris OCR program is included on a separate CD-ROM that shipped with the product. To use the Readiris program, install it from the appropriate software CD-ROM, and then follow the instructions in the online Help.

Cancel a scan

To cancel a scan job, use one of the following procedures.

- On the product control panel, press the Cancel  button.
- Click the **Cancel** button in the onscreen dialog box.

Scan settings

Scan file format

The default file format of a scanned document or photo depends on the scan type as well as the object being scanned.

- Scanning a document or a photo to a computer results in the file being saved as a .TIF file.
- Scanning a document to e-mail results in the file being saved as a .PDF file.
- Scanning a photo to e-mail results in the file being saved as a .JPEG file.

 **NOTE:** Different file types can be selected when using the scan software program.

Scanner resolution and color

If you are printing a scanned image, and the quality is not what you expected, you might have selected a resolution or color setting in the scanner software that does not match your needs. Resolution and color affect the following features of scanned images:


- Image clarity
- Texture of gradations (smooth or rough)
- Scan time
- File size

Scanning resolution is measured in pixels per inch (ppi).

 **NOTE:** Scanning ppi levels are not interchangeable with printing dpi (dots per inch) levels.

Color, grayscale, and black and white define the number of colors possible. You can adjust the scanner hardware resolution to up to 1200 ppi. The software can perform an enhanced resolution up to 19,200 ppi. You can set color and grayscale at 1 bit (black and white), or at 8 bit (256 levels of gray or color) to 24 bit (true color).

The resolution and color guidelines table lists simple tips that you can follow to meet your scanning needs.

 **NOTE:** Setting the resolution and color to a high value can create large files that take up disk space and slow the scanning process. Before setting the resolution and color, determine how you are going to use the scanned image.

Resolution and color guidelines

The following table describes the recommended resolution and color settings for different types of scan jobs.

Intended use	Recommended resolution	Recommended color settings
Fax	150 ppi	<ul style="list-style-type: none">• Black and White
E-mail	150 ppi	<ul style="list-style-type: none">• Black and White, if the image does not require smooth gradation• Grayscale, if the image requires smooth gradation• Color, if the image is in color
Edit text	300 ppi	<ul style="list-style-type: none">• Black and White
Print (graphics or text)	600 ppi for complex graphics, or if you want to significantly enlarge the document 300 ppi for normal graphics and text 150 ppi for photos	<ul style="list-style-type: none">• Black and White for text and line art• Grayscale for shaded or colored graphics and photos• Color, if the image is in color
Display on screen	75 ppi	<ul style="list-style-type: none">• Black and White for text• Grayscale for graphics and photos• Color, if the image is in color

Color

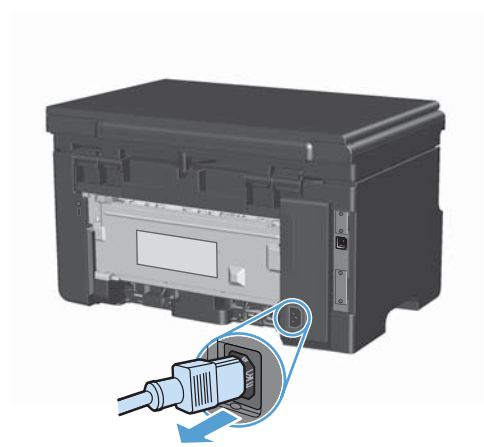
You can set the color values to the following settings when scanning.

Setting	Recommended use
Color	Use this setting for high-quality color photos or documents in which the color is important.
Black and White	Use this setting for text documents.
Grayscale	Use this setting when file size is an issue or when you want a document or photograph to be scanned quickly.

Scan quality

Over time, specks of debris might collect on the scanner glass and white plastic backing, which can affect performance. Use the following procedure to clean the scanner glass and white plastic backing.

1. Use the power switch to turn off the product, and then unplug the power cord from the electrical socket.



2. Open the scanner lid.
3. Clean the scanner glass and the white plastic backing with a soft cloth or sponge that has been moistened with nonabrasive glass cleaner.

CAUTION: Do not use abrasives, acetone, benzene, ammonia, ethyl alcohol, or carbon tetrachloride on any part of the product; these can damage the product. Do not place liquids directly on the glass or platen. They might seep and damage the product.



4. Dry the glass and white plastic with a chamois or a cellulose sponge to prevent spotting.
5. Plug in the product, and then use the power switch to turn on the product.


10 Fax (M1210 Series only)

- [Fax features](#)
- [Set up fax](#)
- [Use the phone book](#)
- [Set fax settings](#)
- [Use fax](#)
- [Solve fax problems](#)
- [Regulatory information and warranties](#)

Fax features

The product has the following fax features, which are available from the control panel or from the product software.

- Fax Setup Wizard for easy fax configuration
- Plain-paper analog fax with 35-page document feeder and output tray of up to 100-page paper capacity
- 100-entry phone book
- Automatic redial
- Digital storage of up to 500 fax pages
- Fax forwarding
- Delayed sending of faxes
- Ring features: Configure rings to answer and distinctive ring compatibility (service required through local telecommunications company)
- Fax confirmation report
- Junk fax blocking
- Eight cover page templates available

 **NOTE:** Not all features are listed. The product software might need to be installed for some features to be available.

Set up fax



Install and connect the hardware

Connect fax to a telephone line

The product is an analog device. HP recommends using the product on a dedicated analog telephone line.

Connect additional devices

The product includes two fax ports:

- The “line” port , which connects the product to the wall telephone jack.
- The “telephone” port , which connects additional devices to the product.

Telephones used in conjunction with the product can be employed in two ways:

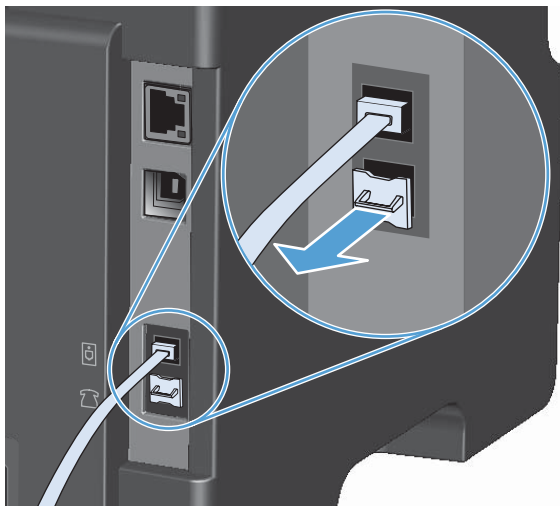
- An extension phone is a phone plugged into the same phone line at another location.
- A downstream phone is one that is plugged into the product or a device that is plugged into the product.


Connect additional devices in the order that is described in the following steps. The output port for each device is connected to the input port of the next, forming a "chain". If you do not want to connect a specific device, skip the step that explains it and continue to the next device.

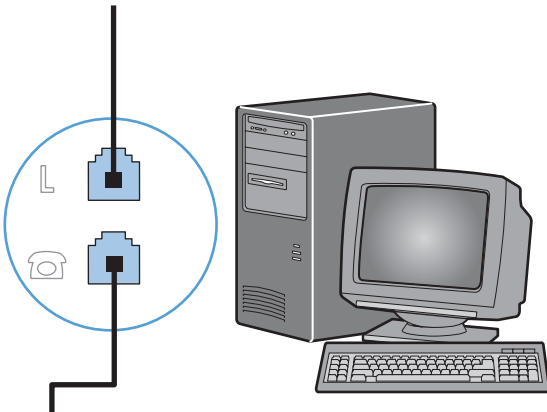
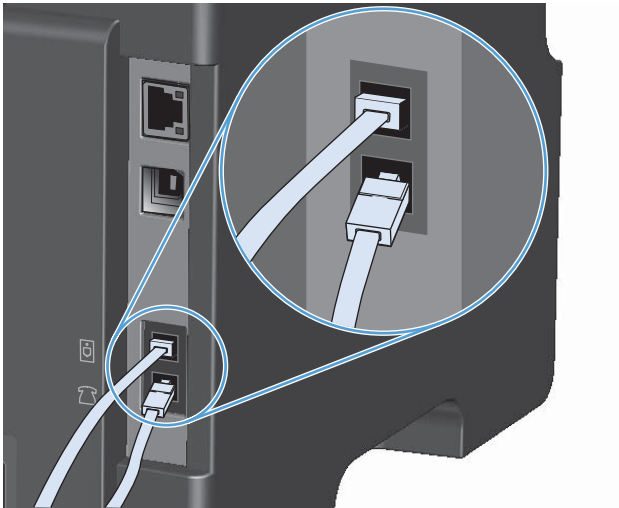
 **NOTE:** Do not connect more than three devices to the telephone line.


NOTE: Voicemail is not supported with this product.

1. Unplug the power cords for all of the devices that you want to connect.
2. If the product is not yet connected to a telephone line, see the product installation guide before proceeding. The product should already be connected to a telephone jack.
3. Remove the plastic insert from the "telephone" port (the port that is marked with the telephone icon).

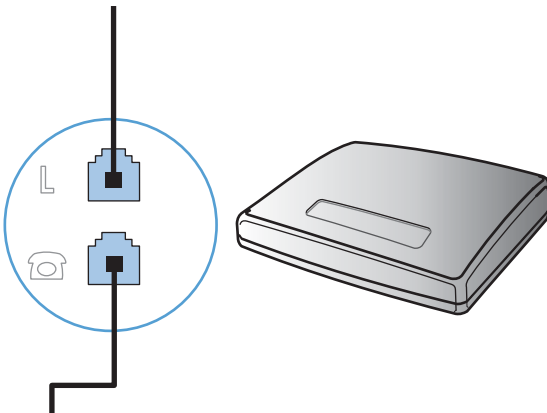


4. To connect an internal or external modem on a computer, plug one end of a telephone cord into the product “telephone” port . Plug the other end of the telephone cord into the modem “line” port.

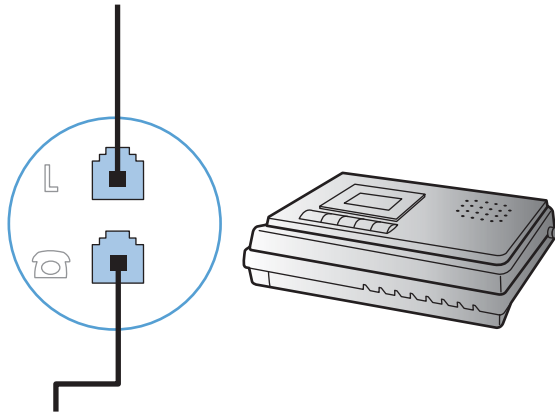


 **NOTE:** Some modems have a second “line” port to connect to a dedicated voice line. If you have two “line” ports, see your modem documentation to make sure that you connect to the correct “line” port.

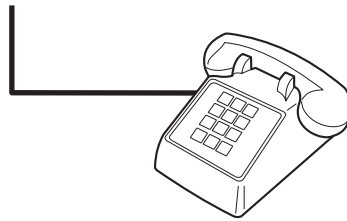
5. To connect a caller-ID box, plug a telephone cord into the previous device’s “telephone” port. Plug the other end of the telephone cord into the caller-ID box “line” port.



6. To connect an answering machine, plug a telephone cord into the previous device's "telephone" port. Plug the other end of the telephone cord into the answering machine "line" port.



7. To connect a telephone, plug a telephone cord into the previous device's "telephone" port. Plug the other end of the telephone cord into the telephone "line" port.




8. After you have finished connecting additional devices, plug all of the devices into their power sources.

Set up fax with a telephone answering machine



- Set the product rings-to-answer setting for at least one ring more than the number of rings for which the answering machine is set.
- If an answering machine is connected to the same telephone line but on a different jack (in another room, for example), it might interfere with the product's ability to receive faxes.

Set up fax with an extension phone

With this setting turned on, you can alert the product to pick up the incoming fax call by pressing 1-2-3 sequentially on the telephone keypad. The default setting is **On**. Turn this setting off only if you use pulse dialing or if you have a service from your telephone company that also uses the 1-2-3 sequence. The telephone company service does not work if it conflicts with the product.

1. On the control panel, press the Setup  button.
2. Use the arrow buttons to select the **Fax setup** menu, and then press the **OK** button.
3. Use the arrow buttons to select the **Fax Recv. setup** menu, and then press the **OK** button.
4. Use the arrow buttons to select the **Extension Phone** menu, and then press the **OK** button.
5. Use the arrow buttons to select the **On** or **Off** option, and then press the **OK** button to save the selection.

Setup for stand-alone fax

1. Unpack and set up the product.
 2. At the control panel, press the Setup  button.
 3. Use the arrow buttons to select the **System setup** menu, and then press the **OK** button.
 4. Use the arrow buttons to select the **Time/Date** menu, and then press the **OK** button.
 5. Use the arrow buttons to select the 12-hour clock or 24-hour clock, and then press the **OK** button.
 6. Use the keypad to enter the current time.
 7. Complete one of the following:
 - For the 12-hour clock, use the arrow buttons to move past the fourth character. Select **1** for a.m. or **2** for p.m. Press the **OK** button.
 - For the 24-hour clock, press the **OK** button.
 8. Use the keypad to enter the current date. Use two digits to specify the month, day, and year. Press the **OK** button.
 9. Use the arrow buttons to select the **Fax setup** menu, and then press the **OK** button.
 10. Use the arrow buttons to select the **Fax header** menu, and then press the **OK** button.
 11. Use the keypad to enter your fax number and your company name or header, and then press the **OK** button.
-
-  **NOTE:** The maximum number of characters for the fax number is 20; use up to 25 characters for the company name.
-
12. Set other settings as necessary to configure for the product environment.


Configure fax settings

The product fax settings can be set from the control panel, from HP Toolbox, or from HP Director. At the initial set-up process, the HP Fax Setup Wizard can be used to configure the settings.


In the United States and many other countries/regions, setting the time, date, and other fax header information is a legal requirement.

Use the control panel to set the fax time, date, and header

To use the control panel to set the date, time, and header, complete the following steps:

1. At the control panel, press the Setup  button.
2. Use the arrow buttons to select the **System setup** menu, and then press the **OK** button.
3. Use the arrow buttons to select the **Time/Date** menu, and then press the **OK** button.
4. Use the arrow buttons to select the 12-hour clock or 24-hour clock, and then press the **OK** button.
5. Use the keypad to enter the current time.

6. Complete one of the following:
 - For the 12-hour clock, use the arrow buttons to move past the fourth character. Select **1** for a.m. or **2** for p.m. Press the **OK** button.
 - For the 24-hour clock, press the **OK** button.
7. Use the keypad to enter the current date. Use two digits to specify the month, day, and year. Press the **OK** button.
8. Use the arrow buttons to select the **Fax setup** menu, and then press the **OK** button.
9. Use the arrow buttons to select the **Fax header** menu, and then press the **OK** button.
10. Use the keypad to enter your fax number and your company name or header, and then press the **OK** button.

 **NOTE:** The maximum number of characters for the fax number is 20; use up to 25 characters for the company name.

Use the HP Fax Setup Wizard

If you completed the software installation, you are ready to send faxes from your computer. If you did not complete the fax setup process at the time you installed the software, you can complete it at any time by using the HP Fax Setup Wizard.

Set fax time, date, and header

1. Click **Start**, and then click **Programs**.
2. Click **HP**, click the name of the product, and then click **HP Fax Setup Wizard**.
3. Follow the onscreen instructions in the HP Fax Setup Wizard to set the time, date, and fax header, as well as several other settings.

Use of common localized letters in fax headers

When using the control panel to enter your name in the header or to enter a name for a one-touch key, speed-dial entry, or group-dial entry, press the appropriate alphanumeric button repeatedly until the letter that you need appears. Then, press the right arrow ► button to select that letter and move to the next space. The following table shows which letters and numbers appear on each alphanumeric button.

Key number	Characters
1	1
2	A B C a b c 2
3	D E F d e f 3
4	G H I g h i 4
5	J K L j k l 5
6	M N O m n o 6
7	P Q R S p q r s 7
8	T U V t u v 8
9	W X Y Z w x y z 9
0	0
*	() + - . / , " * & @
#	space # ,




NOTE: Use the right arrow ► button to move the cursor on the control panel, and use the left arrow ◀ button to delete characters.

Use the phone book

You can store frequently dialed fax numbers (up to 100 entries).

Use the control panel to create and edit the fax phone book

1. On the control panel, press the Setup  button.




2. Use the arrow buttons to select the **Phone Book** menu, and then press the **OK** button.
3. Use the arrow buttons to select the **Add/Edit** menu, and then press the **OK** button.
4. Enter the fax number and name, and then press the **OK** button.

Import or export Microsoft Outlook contacts into the fax phone book

1. Open HP Toolbox.
2. Click **Fax**, and then click **Fax Phone Book**.
3. Browse to the program phone book, and then click **Import**.

Use phone-book data from other programs

 **NOTE:** Before a phone book from another program can be imported, you must use the export feature in that other program.


HP Toolbox can import contact information from other software program phone books. The following table shows which programs are supported for HP Toolbox.

Program	Description
Microsoft Outlook	<p>Personal Address Book (PAB) entries, Contacts entries, or both combined may be selected. Individuals and groups from the PAB are combined with individuals from Contacts only if the combined option is selected.</p> <p>If a Contacts entry has both a home and a business fax number, two entries will be displayed. The “name” of these two entries will be modified. “:(B)” will be added to the name in the business entry and “:(H)” will be added to the name in the home entry.</p> <p>If a duplicate entry occurs (one from Contacts and one from the PAB with the same name and fax number), a single entry will be displayed. However, if an entry exists in the PAB with a duplicate in Contacts, and the Contacts entry has both a business and a home fax number, all three entries will be displayed.</p>
Windows Address Book	The Windows Address Book (WAB), used by Outlook Express and Internet Explorer, is supported. If an individual has both a home and a business fax number, two entries will be displayed. The “name” of these two entries will be modified. “:(B)” will be added to the name in the business entry and “:(H)” will be added to the name in the home entry.
Goldmine	Goldmine version 4.0 is supported. HP Toolbox imports the file last used by Goldmine.
Symantec Act!	Act! versions 4.0 and 2000 are supported. HP Toolbox imports the database last used by Act!.

Delete phone book

You can delete all phone book entries that are programmed in the product.

△ **CAUTION:** After phone book entries are deleted, they cannot be recovered.

1. On the control panel, press the Setup  button.



2. Use the arrow buttons to select the **Phone Book** menu, and then press the **OK** button.
3. Use the arrow buttons to select the **Delete all** option, and then press the **OK** button.
4. Press the **OK** button to confirm the deletion.

Set fax settings

Send fax settings

Set special dialing symbols and options


You can insert pauses into a fax number that you are dialing. Pauses are often needed when dialing internationally or connecting to an outside line.

- **Insert a dialing pause:** Press the Pause # button repeatedly until a comma (,) appears on the control-panel display, indicating that the pause will occur at that point in the dialing sequence.
- **Insert a pause for dial tone:** Press the Symbols * button repeatedly until **W** appears on the control-panel display to have the product wait for a dial tone before dialing the remainder of the telephone number.
- **Insert a hook flash:** Press the Symbols * button repeatedly until **R** appears on the control-panel display to have the product perform a hook flash.

Set a dialing prefix

A dial prefix is a number or group of numbers that are automatically added to the beginning of every fax number you enter at the control panel or from the software. The maximum number of characters for a dial prefix is 50.

The default setting is **Off**. You might want to turn this setting on and enter a prefix if, for example, you have to dial a number such as 9 to get a telephone line outside of your company telephone system. While this setting is activated, you can dial a fax number without the dial prefix by using manual dial.

1. On the control panel, press the Setup  button.
2. Use the arrow buttons to select the **Fax setup** menu, and then press the **OK** button.
3. Use the arrow buttons to select the **Fax Send setup** menu, and then press the **OK** button.
4. Use the arrow buttons to select the **Dial Prefix** menu, and then press the **OK** button.
5. Use the arrow buttons to select the **On** or **Off** option, and then press the **OK** button.
6. If you selected the **On** option, use the keypad to enter the prefix, and then press the **OK** button. You can use numbers, pauses, and dialing symbols.

Set the dial-tone detection

Normally, the product begins dialing a fax number immediately. If you are using the product on the same line as your telephone, turn on the detect-dial-tone setting. This prevents the product from sending a fax while someone is on the telephone.


The factory-set default for detect dial tone is **On** for France and Hungary, and **Off** for all other countries/regions.


1. On the control panel, press the Setup  button.
2. Use the arrow buttons to select the **Fax setup** menu, and then press the **OK** button.
3. Use the arrow buttons to select the **Fax Send setup** menu, and then press the **OK** button.

4. Use the arrow buttons to select the **Detect dial tone** menu, and then press the **OK** button.
5. Use the arrow buttons to select the **On** or **Off** option, and then press the **OK** button.

Set tone-dialing or pulse-dialing

Use this procedure to set the product to tone-dialing or pulse-dialing mode. The factory-set default is **Tone**. Do not change this setting unless you know that the telephone line cannot use tone dialing.

1. On the control panel, press the Setup  button.
2. Use the arrow buttons to select the **Fax setup** menu, and then press the **OK** button.
3. Use the arrow buttons to select the **Fax Send setup** menu, and then press the **OK** button.
4. Use the arrow buttons to select the **Dialing Mode** menu, and then press the **OK** button.
5. Use the arrow buttons to select the **Tone** or **Pulse** option, and then press the **OK** button to save the selection.


 **NOTE:** The pulse-dialing option is not available in all countries/regions.

Set autoretrial and the time between redials

If the product was unable to send a fax because the receiving fax machine did not answer or was busy, the product attempts to redial based on the redial-on-busy, redial-on-no-answer, and redial-on-communication-error options. Use the procedures in this section to turn these options on or off.


Set the redial-on-busy option

If this option is turned on, the product redials automatically if it receives a busy signal. The factory-set default for the redial-on-busy option is **On**.

1. On the control panel, press the Setup  button.
2. Use the arrow buttons to select the **Fax setup** menu, and then press the **OK** button.
3. Use the arrow buttons to select the **Fax Send setup** menu, and then press the **OK** button.
4. Use the arrow buttons to select the **Redial if busy** menu, and then press the **OK** button.
5. Use the arrow buttons to select the **On** or **Off** option, and then press the **OK** button.


Set the redial-on-no-answer option

If this option is turned on, the product redials automatically if the receiving machine does not answer. The factory-set default for the redial-on-no-answer option is **Off**.

1. On the control panel, press the Setup  button.
2. Use the arrow buttons to select the **Fax setup** menu, and then press the **OK** button.
3. Use the arrow buttons to select the **Fax Send setup** menu, and then press the **OK** button.
4. Use the arrow buttons to select the **Redial-no answer** menu, and then press the **OK** button.
5. Use the arrow buttons to select the **On** or **Off** option, and then press the **OK** button.

Set the redial-on-communication-error option

If this option is turned on, the product redials automatically if some sort of communication error occurs. The factory-set default for the redial-on-communication-error option is **On**.




1. On the control panel, press the Setup  button.
2. Use the arrow buttons to select the **Fax setup** menu, and then press the **OK** button.
3. Use the arrow buttons to select the **Fax Send setup** menu, and then press the **OK** button.
4. Use the arrow buttons to select the **Redial Comm. Error** menu, and then press the **OK** button.
5. Use the arrow buttons to select the **On** or **Off** option, and then press the **OK** button.

Set light/dark and resolution


Set the default light/dark (contrast) setting

The contrast affects the lightness and darkness of an outgoing fax as it is being sent.

The default light/dark setting is the contrast that is normally applied to items that are being faxed. The slider is set to the middle as the default setting.

1. On the control panel, press the Setup  button.
2. Use the arrow buttons to select the **Fax setup** menu, and then press the **OK** button.
3. Use the arrow buttons to select the **Fax Send setup** menu, and then press the **OK** button.
4. Use the arrow buttons to select the **Def. light/dark** menu, and then press the **OK** button.
5. Use the left arrow  button to move the slider to the left to make the fax lighter than the original, or use the right arrow  button to move the slider to the right to make the fax darker than the original.
6. Press the **OK** button to save the selection.

Set resolution settings


 **NOTE:** Increasing the resolution increases the fax size. Larger faxes increase the send time and could exceed the available memory in the product.

The factory-set default resolution setting is **Fine**.

Use this procedure to change the default resolution for all fax jobs to one of the following settings:


- **Standard:** This setting provides the lowest quality and the fastest transmission time.
- **Fine:** This setting provides a higher resolution quality than **Standard** that is usually appropriate for text documents.
- **Superfine:** This setting is best used for documents that mix text and images. The transmission time is slower than the **Fine** setting but faster than the **Photo** setting.
- **Photo:** This setting produces the best images, but greatly increases the transmission time.

Set the default resolution setting

1. On the control panel, press the Setup  button.
2. Use the arrow buttons to select the **Fax setup** menu, and then press the **OK** button.
3. Use the arrow buttons to select the **Fax Send setup** menu, and then press the **OK** button.
4. Use the arrow buttons to select the **Def. Resolution** menu, and then press the **OK** button.
5. Use the arrow buttons to change the resolution setting.
6. Press the **OK** button to save the selection.

Cover-page templates

Several business and personal fax cover-page templates are available in the PC Fax Send software program.

 **NOTE:** Cover-sheet templates cannot be altered. While fields within the templates may be edited, the templates themselves are fixed forms.

Customize a fax cover sheet

1. Open the PC Fax Send software program.
2. In the **Fax To** section, provide the recipient fax number, name, and company.
3. In the **Resolution** section, select a resolution setting.
4. In the **Include With Fax** section, select **Cover Page**.
5. Add more information in the **Notes** and **Subject** text boxes.
6. In the **Cover Page Template** drop-down box, select a template, and then select **Pages in Document Tray**.
7. Do one of the following:
 - Click **Send Now** to send the fax without previewing the cover page.
 - Click **Preview** to view the cover page prior to sending the fax.


Receive fax settings

Set fax forwarding

You can set your product to forward incoming faxes to another fax number. When the fax arrives at your product, it is stored in the memory. The product then dials the fax number that you have specified and sends the fax. If the product cannot forward a fax because of an error (for example, the number is busy) and repeated redial attempts are unsuccessful, your product prints the fax.


If the product runs out of memory while receiving a fax, it terminates the incoming fax and only forwards the pages and partial pages that have been stored in the memory.

When it is using the fax-forwarding feature, the product (rather than the computer) must be receiving the faxes, and the answer mode must be set to **Automatic**.


1. On the control panel, press the Setup  button.
2. Use the arrow buttons to select the **Fax setup** menu, and then press the **OK** button.
3. Use the arrow buttons to select the **Fax Recv. setup** menu, and then press the **OK** button.
4. Use the arrow buttons to select the **Forward fax** menu, and then press the **OK** button.
5. Use the arrow buttons to select the **On** or **Off** option, and then press the **OK** button.
6. If you turn on the fax-forwarding feature, use the keypad to specify the fax number where the fax is to be sent, and then press the **OK** button to save the selection.

Set the answer mode

Depending on the situation, set the product answer mode to **Automatic**, **TAM**, **Fax/Tel**, or **Manual**. The factory-set default is **Automatic**.

- **Automatic:** The product answers incoming calls after a specified number of rings or upon recognition of special fax tones.
- **TAM:** The product does not automatically answer the call. Instead, it waits until it detects the fax tone.
- **Fax/Tel:** The product answers incoming calls immediately. If it detects the fax tone, it processes the call as a fax. If it does not detect the fax tone, it creates an audible ring to alert you to answer the incoming voice call.
- **Manual:** The product never answers calls. You must start the fax-receiving process yourself, either by pressing the Send Fax  button on the control panel or by picking up a telephone that is connected to that line and dialing 1-2-3.

To set or change the answer mode, complete the following steps:

1. On the control panel, press the Setup  button.
2. Use the arrow buttons to select the **Fax setup** menu, and then press the **OK** button.
3. Use the arrow buttons to select the **Fax Recv. setup** menu, and then press the **OK** button.
4. Press the **OK** button to select the **Answer mode** menu.
5. Use the arrow buttons to select the answer mode, and then press the **OK** button.


Block or unblock fax numbers

If you do not want to receive faxes from specific people or businesses, you can block as many as 30 fax numbers by using the control panel. When you block a fax number and someone from that number sends you a fax, the control-panel display indicates that the number is blocked, the fax does not print, and the fax is not saved in memory. Faxes from blocked fax numbers appear in the fax activity log with a “discarded” designation. You can unblock blocked fax numbers individually or all at one time.



NOTE: The sender of a blocked fax is not notified that the fax failed.

Complete the following steps to block or unblock fax numbers by using the control panel:

1. On the control panel, press the Setup  button.
2. Use the arrow buttons to select the **Fax setup** menu, and then press the **OK** button.
3. Use the arrow buttons to select the **Fax Recv. setup** menu, and then press the **OK** button.
4. Use the arrow buttons to select the **Block faxes** menu, and then press the **OK** button.
5. To block a fax number, use the arrow buttons to select the **Add entry** option, and then press the **OK** button. Enter the fax number exactly as it appears in the header (including spaces), and then press the **OK** button. Enter a name for the blocked number, and then press the **OK** button.

To unblock a single fax number, use the arrow buttons to select the **Delete entry** option, and then press the **OK** button. Use the arrow buttons to select the fax number that you want to delete, and then press the **OK** button to confirm the deletions.

To unblock all blocked fax numbers, use the arrow buttons to select the **Clear all** option, and then press the **OK** button. Press the **OK** button again to confirm the deletions.

Set the number of rings-to-answer

When the answer mode is set to **Automatic**, the product rings-to-answer setting determines the number of times the telephone rings before the product answers an incoming call.


If the product is connected to a line that receives both fax and voice calls (a shared line) and that also uses an answering machine, you might need to adjust the rings-to-answer setting. The number of rings-to-answer for the product must be greater than the rings-to-answer on the answering machine. This allows the answering machine to answer the incoming call and record a message if it is a voice call. When the answering machine answers the call, the product listens to the call and automatically answers it if it detects fax tones.

The default setting for rings-to-answer is five for the U.S. and Canada, and two for other countries/regions.

Use the following table to determine the number of rings-to-answer to use.

Type of telephone line	Recommended rings-to-answer setting
Dedicated fax line (receiving only fax calls)	Set to a number of rings within the range shown on the control-panel display. (The minimum and maximum number of rings allowed varies by country/region.)
One line with two separate numbers and a ring-pattern service	One or two rings. (If you have an answering machine or computer voicemail for the other telephone number, make sure that the product is set to a greater number of rings than the answering system. Also, use the distinctive-ring feature to differentiate between voice and fax calls.)
Shared line (receiving both fax and voice calls) with only an attached telephone	Five rings or more.
Shared line (receiving both fax and voice calls) with an attached answering machine or computer voicemail	Two rings more than the answering machine or computer voicemail.


To set or change the number of rings-to-answer, use the following steps:

1. On the control panel, press the Setup  button.
2. Use the arrow buttons to select the **Fax setup** menu, and then press the **OK** button.
3. Use the arrow buttons to select the **Fax Recv. setup** menu, and then press the **OK** button.
4. Use the arrow buttons to select the **Rings to answer** menu, and then press the **OK** button.
5. Use the keypad to enter the number of rings-to-answer, and then press the **OK** button.

Set distinctive ring

Ring-pattern or distinctive-ring service is available through some local telephone companies. The service allows you to have more than one telephone number on a single line. Each telephone number has a unique ring pattern, so that you can answer voice calls and the product can answer fax calls.


If you subscribe to a ring-pattern service with a telephone company, you must set the product to answer the correct ring pattern. Not all countries/regions support unique ring patterns. Contact the telephone company to determine if this service is available in your country/region.

 **NOTE:** If you do not have ring-pattern service and you change the ring-pattern settings to something other than the default, **All Rings**, the product might not be able to receive faxes.

The settings are as follows:

- **All Rings:** The product answers any calls that come through the telephone line.
- **Single:** The product answers any calls that produce a single-ring pattern.
- **Double:** The product answers any calls that produce a double-ring pattern.
- **Triple:** The product answers any calls that produce a triple-ring pattern.
- **Double&Triple:** The product answers any calls that produce a double-ring or triple-ring pattern.

To change ring patterns for call answering, complete the following steps:


1. On the control panel, press the Setup  button.
2. Use the arrow buttons to select the **Fax setup** menu, and then press the **OK** button.
3. Use the arrow buttons to select the **Fax Recv. setup** menu, and then press the **OK** button.
4. Use the arrow buttons to select the **Answer Ring Type** menu, and then press the **OK** button.
5. Use the arrow buttons to select the ring pattern that you want, and then press the **OK** button.
6. After product installation is complete, ask someone to send a fax to you in order to verify that the ring-pattern service is working correctly.


Use autoreduction for incoming faxes

If the fit-to-page option is turned on, the product automatically reduces long faxes up to 75% to fit the information on the default paper size (for example, the fax is reduced from legal to letter size).

If the fit-to-page option is turned off, long faxes print at full size on multiple pages. The factory-set default for incoming fax autoreduction is **On**.


If you have the **Stamp faxes** option turned on, you might also want to turn on autoreduction. This reduces the size of the incoming faxes slightly, and prevents the page-stamp from forcing a fax onto two pages.

 **NOTE:** Make sure that the default media size setting matches the size of the media that is loaded in the tray.

1. On the control panel, press the Setup  button.
2. Use the arrow buttons to select the **Fax setup** menu, and then press the **OK** button.
3. Use the arrow buttons to select the **Fax Recv. setup** menu, and then press the **OK** button.
4. Use the arrow buttons to select the **Fit to page** menu, and then press the **OK** button.
5. Use the arrow buttons to select the **On** or **Off** option, and then press the **OK** button to save the selection.


Set fax reprint settings

The default fax reprint setting is **On**. To change this setting from the control panel, complete the following steps:

1. On the control panel, press the Setup  button.
2. Use the arrow buttons to select the **Fax setup** menu, and then press the **OK** button.
3. Use the arrow buttons to select the **Fax Recv. setup** menu, and then press the **OK** button.
4. Use the arrow buttons to select the **Reprint faxes** menu, and then press the **OK** button.
5. Use the arrow buttons to select the **On** or **Off** option, and then press the **OK** button.

Set the silence-detect mode

This setting controls whether or not you can receive faxes from older-model fax machines that do not emit a fax signal during fax transmissions. At the time of this publication, these silent-model fax machines represented very few of the fax machines in use. The default setting is **Off**. The silence-detect mode setting should be changed only if you regularly receive faxes from someone who uses an older-model fax machine.

1. On the control panel, press the Setup  button.
2. Use the arrow buttons to select the **Fax setup** menu, and then press the **OK** button.
3. Use the arrow buttons to select the **Fax Recv. setup** menu, and then press the **OK** button.
4. Use the arrow buttons to select the **Silence detect** menu, and then press the **OK** button.
5. Use the arrow buttons to select the **On** or **Off** option, and then press the **OK** button to save the selection.


Set the fax volume

Control the volume of the fax sounds from the control panel. You can make changes to the following sounds:

- The fax sounds that are associated with incoming and outgoing faxes
- The ring for incoming faxes


The factory-set default for the fax-sounds volume is **Soft**.

Set the alert volume, phone-line volume, and ring volume


1. Press the Setup  button.
2. Use the arrow buttons to select the **System setup** menu, and then press the **OK** button.
3. Use the arrow buttons to select the **Volume settings** menu, and then press the **OK** button.
4. Use the arrow buttons to select the **Alarm volume** menu, the **Phoneline volume** menu, or the **Ring volume** menu, and then press the **OK** button.
5. Use the arrow buttons to select the **Off**, **Soft**, **Medium**, or **Loud** setting.
6. Press the **OK** button to save the selection.

Set stamp-received faxes


The product prints the sender identification information at the top of each received fax. You can also choose to stamp the incoming fax with your own header information to confirm the date and time that the fax was received. The factory-set default for stamp-received faxes is **Off**.

 **NOTE:** Turning on the stamp-received setting might increase the page size and cause the product to print a second page.

NOTE: This option applies only to received faxes that the product prints.


1. On the control panel, press the Setup  button.
2. Use the arrow buttons to select the **Fax setup** menu, and then press the **OK** button.
3. Use the arrow buttons to select the **Fax Recv. setup** menu, and then press the **OK** button.
4. Use the arrow buttons to select the **Stamp faxes** menu, and then press the **OK** button.
5. Use the arrow buttons to select the **On** or **Off** option, and then press the **OK** button to save the selection.

Set the private receive feature

 **NOTE:** The private receive feature does not affect the reprint last fax feature. To limit access to all received faxes, make sure that the **Reprint faxes** setting is set to **Off**.


When the private-receive feature is activated, received faxes are stored in memory. A personal identification number (PIN) is required to print the stored faxes.

Turn on the private receive feature

1. On the control panel, press the Setup  button.
2. Use the arrow buttons to select the **Fax setup** menu, and then press the **OK** button.
3. Use the arrow buttons to select the **Fax Recv. setup** menu, and then press the **OK** button.
4. Use the arrow buttons to select the **Private receive** menu, and then press the **OK** button.
5. Use the arrow buttons to select the **On** option, and then press the **OK** button.

6. Use the keypad to enter the product security password, and then press the **OK** button.
7. To confirm the product security password, use the keypad to re-enter the product security password, and then press the **OK** button.


Turn off the private receive feature

1. On the control panel, press the Setup  button.
2. Use the arrow buttons to select the **Fax setup** menu, and then press the **OK** button.
3. Use the keypad to enter the product security password, and then press the **OK** button.
4. Use the arrow buttons to select the **Fax Recv. setup** menu, and then press the **OK** button.
5. Use the arrow buttons to select the **Private receive** menu, and then press the **OK** button.
6. Use the arrow buttons to select the **Off** option, and then press the **OK** button.

If any unprinted faxes exist in the fax memory, the product will print the faxes and then erase them from memory.

Set fax polling

If someone else has set up a fax to be polled, you can request that the fax be sent to your product. (This is known as polling another machine).

1. On the control panel, press the Setup  button.
2. Use the arrow buttons to select the **Fax functions** menu, and then press the **OK** button.
3. Use the arrow buttons to select the **Polling receive** option, and then press the **OK** button.

The product dials the other fax machine and requests the fax.

Use fax

Fax software



Supported fax programs

The PC fax program that came with the product is the only PC fax program that works with the product. In order to continue to use a PC fax program previously installed on the computer, it must be used with the modem that is already connected to the computer; it will not function through the product modem.

Cancel a fax

Use these instructions to cancel a single fax that is currently dialing or a fax that is being transmitted or received.

Cancel the current fax


Press the Cancel  button on the control panel. Any pages that have not been transmitted are canceled. Pressing the Cancel  button also stops group-dial jobs.

Cancel a pending fax job

Use this procedure to cancel a fax job in the following situations:


- The product is waiting to redial after encountering a busy signal, an unanswered call, or a communication error.
- The fax is scheduled to be sent at a future time.


Use the following steps to cancel a fax job by using the **Fax Job status** menu:

1. On the control panel, press the Setup  button.
2. Use the arrow buttons to select the **Fax Job status** menu, and then press the **OK** button.
3. Use the arrow buttons to scroll through pending jobs until you reach the job that you want to clear.
4. Press the **OK** button to select the job that you want to cancel.
5. Press the **OK** button to confirm that you want to cancel the job.

Delete faxes from memory

Use this procedure only if you are concerned that someone else has access to your product and might try to reprint faxes from the memory.

 **CAUTION:** In addition to clearing the reprint memory, this procedure clears any fax that is currently being sent, unsent faxes that are pending redial, faxes that are scheduled to be sent at a future time, and faxes that are not printed or forwarded.

1. On the control panel, press the Setup  button.
2. Use the arrow buttons to select the **Fax functions** menu, and then press the **OK** button.
3. Use the arrow buttons to select the **Clear saved faxes** option, and then press the **OK** button.
4. Press the **OK** button to confirm the deletion.

Use fax on a DSL, PBX, or ISDN system


HP products are designed specifically for use with traditional analog phone services. They are not designed to work on DSL, PBX, ISDN lines, or VoIP services, but they might work with the proper setup and equipment.

 **NOTE:** HP recommends discussing DSL, PBX, ISDN, and VoIP setup options with the service provider.


The HP LaserJet product is an analog device that is not compatible with all digital phone environments (unless a digital-to-analog converter is used). HP does not guarantee that the product will be compatible with digital environments or digital-to-analog converters.

DSL

A digital subscriber line (DSL) uses digital technology over standard copper telephone wires. This product is not directly compatible with digital signals. However, if the configuration is specified during DSL setup, the signal can be separated so that some of the bandwidth is used to transmit an analog signal (for voice and fax) while the remaining bandwidth is used to transmit digital data.

 **NOTE:** Not all faxes are compatible with DSL services. HP does not guarantee that the product will be compatible with all DSL service lines or providers.

The DSL modem requires a high-pass filter. The service provider typically provides a low-pass filter, for normal telephone wiring.

 **NOTE:** Contact the DSL provider for more information or for assistance.

PBX

The product is an analog device that is not compatible in all digital phone environments. Digital-to-analog filters or converters may be needed for faxing functionality. If faxing issues occur in a PBX environment, it might be necessary to contact the PBX provider for assistance. HP does not guarantee that the product will be compatible with digital environments or digital-to-analog converters.

Contact the PBX provider for more information and for assistance.

ISDN

Contact the ISDN provider for more information and for assistance.

Use fax on a VoIP service

Voice over internet protocol (VoIP) services are often not compatible with fax machines unless the provider explicitly states that it supports fax over IP services.

If the product experiences problems getting a fax to work on a VoIP network, verify that all cables and settings are correct. Decreasing the fax-speed setting might allow the product to send a fax over a VoIP network.

If faxing problems continue, contact the VoIP provider.

Fax memory

Fax memory is retained when there is a loss of power



The flash memory protects against data loss when a power failure occurs. Other fax devices store fax pages in either normal RAM or short-term RAM. Normal RAM immediately loses data when power is lost, while short-term RAM loses data about 60 minutes after a power failure occurs. Flash memory can maintain its data for years without power applied.

Send a fax

Fax from the flatbed scanner

1. Place the document face-down on the scanner glass.



2. Press the Setup  button.
3. Select the **Phone Book** menu, and then press the **OK** button.
4. From the list, select the phone book entry. If no entry exists, use the keypad on the control panel to dial the number.
5. On the control panel, press the Send Fax  button. The product starts the fax job.

Fax from the document feeder

1. Insert the originals into the document feeder face-up.



NOTE: The document feeder capacity is up to 35 sheets of 75 g/m² or 20 lb media.

CAUTION: To prevent damage to the product, do not use an original that contains correction tape, correction fluid, paper clips, or staples. Also, do not load photographs, small originals, or fragile originals into the document feeder.

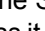


2. Adjust the guides until they are snug against the paper.





3. Press the Setup  button.
4. Select the **Phone Book** menu, and then press the **OK** button.
5. From the list, select the phone book entry. If no entry exists, use the keypad on the control panel to dial the number.
6. On the control panel, press the Send Fax  button. The product starts the fax job.

Manual dial faxing

Usually, the product dials after you press the Send Fax  button. At times, however, you might want the product to dial each number as you press it. For example, if you are charging your fax call to a calling card, you might need to dial the fax number, wait for the acceptance tone of your telephone company, and then dial the calling card number. When dialing internationally, you might need to dial part of the number and then listen for dial tones before continuing to dial.



Send a fax to a group manually (ad hoc faxing)

Use the following instructions to send a fax to a group of recipients:

1. Load the document into the document feeder input tray.
2. Press the Setup  button.
3. Select the **Phone Book** menu, and then press the **OK** button.
4. From the list, select the phone book entry. If no entry exists, use the keypad on the control panel to dial the number.
5. To continue dialing numbers, repeat steps 3 and 4. If you are finished dialing numbers, go to the next step.
6. Press the Send Fax  button.
7. If you have more pages to scan, press **1** to select the **Yes** option, and then repeat step 6 for each page of the fax job. If you are finished, press **2** to select the **No** option.

The product sends the fax to each fax number. If a number in the group is busy or does not answer, the product redials that number based on the redial setting. If all redial attempts fail, the product updates the fax activity log by adding the error, and then it proceeds to the next number in the group.

Manual redial

1. Load the document into the document feeder.
2. On the control panel, press the Redial  button.
3. Press the Send Fax  button.
4. If you have more pages to scan, press **1** to select the **Yes** option, and then repeat step 3 for each page of the fax job. If you are finished, press **2** to select the **No** option.

The product sends the fax to the number that it redialed. If the number is busy or does not answer, the product redials the number based on its redial setting. If all redial attempts fail, the product updates the fax activity log by adding the error.

Send a fax from the software

The following information provides basic instructions for sending faxes by using the software that came with the product. All other software-related topics are covered in the software Help, which can be opened from the software-program **Help** menu.

You can fax electronic documents from a computer if you meet the following requirements:

- The product is connected directly to the computer.
- The product software is installed on the computer.
- The computer operating system is Microsoft Windows XP, Windows Vista, or Mac OS X 10.4, 10.5, 10.6, or later.

Send a fax from the software (Windows XP or Vista)

The procedure to send a fax varies according to your specifications. The most typical steps follow.

1. Click **Start**, click **Programs** (or **All Programs** in Windows XP), and then click **Hewlett-Packard**.
2. Click the product name, and then click **Send fax**. The fax software appears.
3. Enter the fax number of one or more recipients.
4. Load the document in the document feeder.
5. Include a cover page. (This step is optional.)
6. Click **Send Now**.

Send a fax from the software (Mac OS X 10.4 and later)

Using Mac OS X, you can choose between two methods of sending faxes from the product software.

To send a fax by using HP Director complete the following steps:

1. Load the document into the document feeder.
2. Open HP Director by clicking the icon in the dock, and then click **Fax**. The Apple print dialog appears.
3. Select **Fax PDF** from the **PDF** pop-up menu.
4. Enter the fax number of one or more recipients under **To**.
5. Select the product under **Modem**.
6. Click **Fax**.

To send a fax by printing to a fax driver, complete the following steps:

1. Open the document that you want to fax.
2. Click **File** and then click **Print**.
3. Select **Fax PDF** from the **PDF** pop-up menu.
4. Enter the fax number of one or more recipients under **To**.

5. Select the product under **Modem**.
6. Click **Fax**.


Send a fax from a third-party software program, such as Microsoft Word (all operating systems)

1. Open a document in a third-party program.
2. Click the **File** menu, and then click **Print**.
3. Select the fax print driver from the printer driver drop-down list. The fax software appears.
4. Complete one of the following procedures:
 - **Windows**
 - a. Enter the fax number of one or more recipients.
 - b. Include a cover page. (This step is optional.)
 - c. Include any pages loaded at the product. (This step is optional.)
 - d. Click **Send Now**.
 - **Macintosh**
 - a. Select **Fax PDF** from the **PDF** pop-up menu.
 - b. Enter the fax number of one or more recipients.
 - c. Select the product under **Modem**.
 - d. Click **Fax**.

Send a fax by dialing from a telephone connected to the fax line


Occasionally, you might want to dial a fax number from a telephone that is connected to the same line as the product. For example, if you are sending a fax to a person whose device is in the manual receive mode, you can precede the fax with a voice call to let that person know that the fax is coming.

 **NOTE:** The telephone must be connected to the product "telephone" port .

1. Load the document into the document feeder.
2. Pick up the handset of a telephone that is connected to the same line as the product. Dial the fax number by using the telephone keypad.
3. When the recipient answers, instruct the person to start the fax machine.
4. When you hear the fax tones, press the **Send Fax**  button, wait until **Connecting** appears on the control-panel display, and then hang up the telephone.

Schedule a fax to be sent later


Use the product control panel to schedule a fax to be sent automatically at a future time to one or more people. When this procedure is completed, the product scans the document into memory and then returns to the Ready state.

 **NOTE:** If the product cannot transmit the fax at the scheduled time, that information is indicated on the fax error report (if that option is turned on) or recorded in the fax activity log. The transmittal might not be initiated because the fax-sending call is not answered, or because a busy signal stops the redial attempts.


If a fax has been scheduled to be sent at a future time but it requires updating, send the additional information as another job. All faxes that are scheduled to go to the same fax number at the same time are delivered as individual faxes.

1. Load the document into the document feeder.



2. On the control panel, press the Setup  button.



3. Use the arrow buttons to select the **Fax functions** menu, and then press the **OK** button.
4. Use the arrow buttons to select the **Send fax later** menu, and then press the **OK** button.
5. Use the keypad to enter the time.
6. If the product is set to the 12-hour time mode, use the arrow buttons to move the cursor past the fourth character to set A.M. or P.M. Select **1** for A.M. or select **2** for P.M., and then press the **OK** button. If the product is set to the 24-hour time mode, press the **OK** button.
7. Press the **OK** button to accept the default date or use the keypad to enter the date, and then press the **OK** button.
8. Enter the fax number.
NOTE: This feature does not support undefined (ad hoc) groups.
9. Press the **OK** button or the Send Fax  button. The product scans the document into memory and sends it at the designated time.

Use access codes, credit cards, or calling cards

To use access codes, credit cards, or calling cards, dial manually to allow for pauses and dialing codes.

Send faxes internationally

To send a fax to an international destination, dial manually to allow for pauses and international dialing codes.


Receive a fax

Print a fax

When the product receives a fax transmission, it prints the fax (unless the private-receive feature is enabled) and also stores it automatically to flash memory.

Print a stored fax when the private receive feature is on


To print stored faxes, you must provide the private-receive PIN. After the product prints the stored faxes, the faxes are deleted from memory.



1. On the control panel, press the Setup  button.
2. Use the arrow buttons to select the **Fax setup** menu, and then press the **OK** button.
3. Use the keypad to enter the product security PIN, and then press the **OK** button.
4. Use the arrow buttons to select the **Fax Recv. setup** menu, and then press the **OK** button.
5. Use the arrow buttons to select the **Private receive** menu, and then press the **OK** button.
6. Use the arrow buttons to select the **Print faxes** option, and then press the **OK** button.


Reprint a fax

If you want to reprint a fax because the print cartridge was empty or if the fax was printed on the wrong type of media, you can try to reprint it. The amount of memory that is available determines the actual number of faxes that are stored for reprinting. The most recent fax prints first; the oldest fax that is in storage prints last.

These faxes are stored continuously. Reprinting them does not clear them from the memory.


1. On the control panel, press the Setup  button.
2. Use the arrow buttons to select the **Fax functions** menu, and then press the **OK** button.
3. Use the arrow buttons to select the **Reprint last** option, and then press the **OK** button. The product begins reprinting the most recently printed fax.


 **NOTE:** To stop the printing at any time, press the Cancel  button.

 **CAUTION:** If the **Reprint faxes** setting is set to **Off**, misprinted or faded faxes cannot be reprinted.


Receive faxes when fax tones are audible on the phone line

If you have a telephone line that receives both fax and telephone calls, and you hear fax tones when you answer the telephone, you can start the receiving process in one of two ways:

- If you are close to the product, press the Send Fax  button on the control panel.
- If not, press 1-2-3 in sequence on the telephone keypad, listen for fax transmission sounds, and then hang up.

 **NOTE:** In order for the second method to work, the **Extension Phone** setting must be set to **Yes**.

Receive faxes to a computer

 **NOTE:** Receiving faxes by using a computer is not supported for Macintosh.

Receiving faxes to a computer is available only if a full software installation was performed during initial product setup.

To receive faxes to your computer, turn on the receive-to-PC setting in the software.

1. Open HP Toolbox.
2. Select the product.
3. Click **Fax**.
4. Click **Fax Tasks**.
5. Under **Fax Receive Mode**, select **Receive faxes to this computer**.

Turn off the receive-to-PC setting from the control panel

The receive-to-PC setting can be activated only from one computer. If for any reason that computer is no longer available, you can use the following procedure to turn the receive-to-PC setting off from the control panel.

1. On the control panel, press the Setup  button.
2. Use the arrow buttons to select the **Fax functions** menu, and then press the **OK** button.
3. Use the arrow buttons to select the **Stop Recv to PC** option, and then press the **OK** button.

View a new fax when in receive to PC mode


1. Open HP Toolbox.
2. Select the product.
3. Click **Fax**.
4. Click **Fax Receive Log**.
5. In the **Fax Image** column, click the “view” link of the fax that you want to view.

Solve fax problems


Fax troubleshooting checklist

Tips for fax troubleshooting:

- Print the menu map from the **Reports** menu to show the control-panel menus and available settings.
 - Try to send or receive a fax after implementing each solution.
 - Disconnect all devices except for the product. Verify that the telephone cord from the product is plugged directly into the wall telephone jack.
1. Verify that the product firmware is current:
 - a. Print a configuration page from the **Reports** menu.
 - b. Go to www.hp.com/support/ljm1210series, and select the operating system that you are using.
 - c. Scroll to the firmware table, and then compare the current version listed with the version listed on the configuration page. If versions are different, download the newest firmware.
 - d. Print a new configuration page to verify that the firmware is current.
 2. Verify that the telephone cord is plugged into the correct port.
 3. Verify that the fax is set up. Use the control panel or the HP Fax Setup Wizard to configure the fax time, date, and fax header information.
 4. Check the phone line.
 - a. Unplug the telephone cord from the product.
 - b. Plug the telephone cord into a telephone and verify that there is a dial tone.
 - c. Reconnect the telephone cord into the correct port on the product.
 5. If using a DSL service, check the installation and features. The DSL modem requires a high-pass filter. The service provider typically provides a low-pass filter, for normal telephone wiring.
 6. If using a VoIP service, check the installation and features. The VoIP service might not support fax over IP. If fax over IP is supported, change the **Fax Speed** setting to **Slow(V.29)**.
 7. If you cannot send or receive faxes, do the following:
 - a. Change the error correction settings.



 **NOTE:** Changing these settings might reduce image quality.
 - b. Change the **Fax Speed** setting to **Medium(V.17)** or **Slow(V.29)**.


Fax error messages



Alert and warning messages appear temporarily and might require you to acknowledge the message by pressing the **OK** button to resume or by pressing the **Cancel**  button to cancel the job. With certain warnings, the job might not complete or the print quality might be affected. If the alert or warning message




is related to printing and the auto-continue feature is on, the product will attempt to resume printing the job after the warning has appeared for 10 seconds without acknowledgement.


Alert and warning messages

Control panel message	Description	Recommended action
Comm. error	A fax communication error occurred between the product and the sender or receiver.	<p>Allow the product to retry sending the fax. Unplug the product telephone cord from the wall, plug in a telephone, and try making a call. Plug the product phone cord into a jack for another phone line.</p> <p>Try a different phone cord.</p> <p>If the error persists, contact HP. See www.hp.com/support/ljm1210series or the support flyer that came in the product box.</p>
Fax delayed Send memory full	Fax memory is full.	<p>Cancel the fax by pressing the Cancel  button. Resend the fax. You might need to send the fax in multiple sections if the error occurs again.</p>
Fax is busy Canceled send	The fax line to which you were sending a fax was busy. The product has canceled sending the fax.	<p>Call the recipient to ensure that the fax machine is on and ready.</p> <p>Check that you are dialing the correct fax number.</p> <p>Check that the Redial if busy option is enabled.</p> <p>Check for a dial tone on the phone line by pressing the Send Fax  button.</p> <p>Make sure that the phone is working by disconnecting the product, plugging in a telephone to the phone line, and making a voice call.</p> <p>Plug the product phone cord into a jack for another phone line, and then try sending the fax again.</p> <p>Try a different phone cord.</p> <p>If the error persists, contact HP. See www.hp.com/support/ljm1210series or the support flyer that came in the product box.</p>

Control panel message	Description	Recommended action
Fax is busy Redial pending	The fax line to which you were sending a fax was busy. The product automatically redials the busy number.	<p>Allow the product to retry sending the fax.</p> <p>Call the recipient to ensure that the fax machine is on and ready.</p> <p>Check that you are dialing the correct fax number.</p> <p>Check for a dial tone on the phone line by pressing the Send Fax  button.</p> <p>Make sure that the phone is working by disconnecting the product, plugging in a telephone to the phone line, and making a voice call.</p> <p>Plug the product phone cord into a jack for another phone line, and try sending the fax again.</p> <p>Try a different phone cord.</p> <p>If the error persists, contact HP. See www.hp.com/support/ljm1210series or the support flyer that came in the product box.</p>
Fax memory full Canceling recv.	During the fax transmission, the product ran out of memory. Only the pages that fit into memory will be printed.	Print all of the faxes, and then have the sender resend the fax. Have the sender divide the fax job into multiple jobs before resending. Cancel all fax jobs or clear the faxes from memory.
Fax memory full Canceling send	During the fax job, the memory filled. All pages of the fax have to be in memory for a fax job to work correctly. Only the pages that fit into memory were sent.	<p>Print all received faxes or wait until all pending faxes are sent.</p> <p>Ask the sender to send the fax again.</p> <p>Cancel all fax jobs or clear the faxes from memory.</p>

Control panel message	Description	Recommended action
Fax recv. error	An error occurred while trying to receive a fax.	<p>Ask the sender to resend the fax.</p> <p>Try faxing back to the sender or another fax machine.</p> <p>Check for a dial tone on the phone line by pressing the Send Fax  button.</p> <p>Check that the telephone cord is securely connected by unplugging and replugging the cord.</p> <p>Make sure that you are using the telephone cord that came with the product.</p> <p>Make sure that the phone is working by disconnecting the product, plugging in a telephone to the phone line, and making a voice call.</p> <p>Decrease the fax speed. Ask the sender to resend the fax.</p> <p>Turn off error-correction mode. Ask the sender to resend the fax.</p> <p>Connect the product to a different phone line.</p> <p>If the error persists, contact HP. See www.hp.com/support/ljm1210series or the support flyer that came in the product box.</p>
Fax Send error	An error occurred while trying to send a fax.	<p>Try resending the fax.</p> <p>Try faxing to another fax number.</p> <p>Check for a dial tone on the phone line by pressing the Send Fax  button.</p> <p>Check that the telephone cord is securely connected by unplugging and replugging the cord.</p> <p>Make sure that you are using the telephone cord that came with the product.</p> <p>Make sure that the phone is working by disconnecting the product, plugging in a telephone to the phone line, and making a voice call.</p> <p>Connect the product to a different phone line.</p> <p>Set the fax resolution to Standard instead of the default of Fine.</p> <p>If the error persists, contact HP. See www.hp.com/support/ljm1210series or the support flyer that came in the product box.</p>
Invalid entry	Invalid data or response.	Correct the entry.

Control panel message	Description	Recommended action
No dial tone	The product could not detect a dial tone.	<p>Check for a dial tone on the phone line by pressing the Send Fax  button.</p> <p>Unplug the telephone cord from both the product and the wall and replug the cord.</p> <p>Make sure that you are using the telephone cord that came with the product.</p> <p>Unplug the product telephone cord from the wall, plug in a telephone, and try making a voice call.</p> <p>Make sure that the phone cord from the wall telephone jack is plugged into the line  port.</p> <p>Plug the product phone cord into a jack for another phone line.</p> <p>If the error persists, contact HP. See www.hp.com/support/ljm1210series or the support flyer that came in the product box.</p>
No document sent	The product did not scan any pages, or it did not receive any pages from the computer to transmit a fax.	Try sending the fax again.
No fax answer. Canceled send	Attempts to redial a fax number failed, or the Redial-no answer option was turned off.	<p>Call the recipient to ensure that the fax machine is on and ready.</p> <p>Check that you are dialing the correct fax number.</p> <p>Check that the redial option is enabled.</p> <p>Unplug the telephone cord from both the product and the wall and replug the cord.</p> <p>Unplug the product telephone cord from the wall, plug in a telephone, and try making a voice call.</p> <p>Make sure that the phone cord from the wall telephone jack is plugged into the line  port.</p> <p>Plug the product phone cord into a jack for another phone line.</p> <p>If the error persists, contact HP. See www.hp.com/support/ljm1210series or the support flyer that came in the product box.</p>

Control panel message	Description	Recommended action
<p>No fax answer.</p> <p>Redial pending</p>	<p>The receiving fax line did not answer. The product attempts to redial after a few minutes.</p>	<p>Allow the product to retry sending the fax.</p> <p>Call the recipient to ensure that the fax machine is on and ready.</p> <p>Check that you are dialing the correct fax number.</p> <p>If the product continues to redial, unplug the product telephone cord from the wall, plug in a telephone, and try making a voice call.</p> <p>Make sure that the phone cord from the wall telephone jack is plugged into the line  port.</p> <p>Plug the product phone cord into a jack for another phone line.</p> <p>Try a different phone cord.</p> <p>If the error persists, contact HP. See www.hp.com/support/ljm1210series or the support flyer that came in the product box.</p>
<p>No fax detected</p>	<p>The product answered the incoming call but did not detect that a fax machine was calling.</p>	<p>Allow the product to retry receiving the fax.</p> <p>Try a different phone cord.</p> <p>Plug the product phone cord into a jack for another phone line.</p> <p>If the error persists, contact HP. See www.hp.com/support/ljm1210series or the support flyer that came in the product box.</p>


Fax logs and reports

Use the following instructions to print fax logs and reports:

Print all fax reports

Use this procedure to print all of the following reports at one time:


- **Fax Activity log**
- **Phone Book report**
- **Config report**
- **Block Fax list**


1. On the control panel, press the Setup  button.



2. Use the arrow buttons to select the **Reports** menu, and then press the **OK** button.
3. Use the arrow buttons to select the **Fax Reports** menu, and then press the **OK** button.
4. Use the arrow buttons to select the **All fax reports** option, and then press the **OK** button. The product exits the menu settings and prints the reports.


Print individual fax reports

1. On the control panel, press the Setup  button.
2. Use the arrow buttons to select the **Reports** menu, and then press the **OK** button.
3. Use the arrow buttons to select the **Fax Reports** menu, and then press the **OK** button.
4. Use the arrow buttons to select the report to be printed, and then press the **OK** button. The product exits the menu settings and prints the report.

 **NOTE:** If you selected the **Fax Activity log** report and pressed the **OK** button, press the **OK** button again to select the **Print log now** option. The product exits the menu settings and prints the log.

Set the fax activity log to print automatically


You can decide whether or not you want the fax log to print automatically after every 40 entries. The factory-set default is **On**. Use the following steps to set the fax activity log to print automatically:


1. On the control panel, press the Setup  button.
2. Use the arrow buttons to select the **Reports** menu, and then press the **OK** button.
3. Use the arrow buttons to select the **Fax Reports** menu, and then press the **OK** button.
4. Use the arrow buttons to select the **Fax Activity log** menu, and then press the **OK** button.
5. Use the arrow buttons to select the **Auto Log Print** menu, and then press the **OK** button.
6. Use the arrow buttons to select the **On** option, and then press the **OK** button to confirm the selection.

Set the fax error report

A fax error report is a brief report that indicates the product experienced a fax job error. It can be set to print after the following events:

- Every fax error (the factory-set default)
- Send fax error
- Receive fax error
- Never


 **NOTE:** If you select **Never**, you will have no indication that a fax failed to be transmitted unless you print a fax activity log.

1. On the control panel, press the Setup  button.
2. Use the arrow buttons to select the **Reports** menu, and then press the **OK** button.
3. Use the arrow buttons to select the **Fax Reports** menu, and then press the **OK** button.
4. Use the arrow buttons to select the **Fax Error report** menu, and then press the **OK** button.
5. Use the arrow buttons to select the option for when you want the fax error reports to be printed.
6. Press the **OK** button to save the selection.

Set the fax confirmation report


A confirmation report is a brief report that indicates the product successfully sent or received a fax job. It can be set to print after the following events:

- Every fax job
- Send fax

- Receive fax
 - Never (the factory-set default)
1. On the control panel, press the Setup  button.
 2. Use the arrow buttons to select the **Reports** menu, and then press the **OK** button.
 3. Use the arrow buttons to select the **Fax Reports** menu, and then press the **OK** button.
 4. Use the arrow buttons to select the **Fax Confirmation** menu, and then press the **OK** button.
 5. Use the arrow buttons to select the option for when you want the fax error reports to be printed.
 6. Press the **OK** button to save the selection.

Include the first page of each fax on the fax confirmation, fax error, and last call reports

If this option is turned on and the page image still exists in the product memory, the fax configuration, fax error, and last call reports include a thumbnail (50% reduction) of the first page of the most recent fax that was sent or received. The factory-set default for this option is **On**.


1. On the control panel, press the Setup  button.
2. Use the arrow buttons to select the **Reports** menu, and then press the **OK** button.
3. Use the arrow buttons to select the **Fax Reports** menu, and then press the **OK** button.
4. Use the arrow buttons to select the **Include 1st page** menu, and then press the **OK** button.
5. Use the arrow buttons to select the **On** option, and then press the **OK** button to confirm the selection.

Change error correction and fax speed

Set the fax-error-correction mode

Usually, the product monitors the signals on the telephone line while it is sending or receiving a fax. If the product detects an error during the transmission and the error-correction setting is **On**, the product can request that the portion of the fax be resent. The factory-set default for error correction is **On**.


You should turn off error correction only if you are having trouble sending or receiving a fax, and you are willing to accept the errors in the transmission. Turning off the setting might be useful when you are trying to send a fax overseas or receive one from overseas, or if you are using a satellite telephone connection.

1. On the control panel, press the Setup  button.
2. Use the arrow buttons to select the **Fax setup** menu, and then press the **OK** button.
3. Use the arrow buttons to select the **All faxes** menu, and then press the **OK** button.
4. Use the arrow buttons to select the **Error correction** menu, and then press the **OK** button.
5. Use the arrow buttons to select the **On** or **Off** option, and then press the **OK** button to save the selection.

Change the fax speed


The fax-speed setting is the modem protocol that the product uses to send faxes. It is the worldwide standard for full-duplex modems that send and receive data across telephone lines at up to 33,600 bits per second (bps). The factory-set default for the fax-speed setting is **Fast(V.34)**.

You should change the setting only if you are having trouble sending a fax to or receiving a fax from a particular device. Decreasing the fax speed might be useful when you are trying to send a fax overseas, or receive one from overseas, or if you are using a satellite telephone connection.

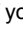
1. On the control panel, press the Setup  button.
2. Use the arrow buttons to select the **Fax setup** menu, and then press the **OK** button.
3. Use the arrow buttons to select the **All faxes** menu, and then press the **OK** button.
4. Use the arrow buttons to select the **Fax Speed** menu, and then press the **OK** button.
5. Use the arrow buttons to select a speed setting, and then press the **OK** button.

Problems sending faxes


The document stops feeding in the middle of faxing.

Cause	Solution
The maximum length of a page that you can load is 355 mm (14 inches). Faxing of a longer page stops at this measurement.	Print the document on shorter media. If no jam exists and less than one minute has elapsed, wait a moment before pressing the Cancel  button. If a jam exists, remove the jam. Then, resend the job.
If the item is too small, it can jam inside the document feeder.	The minimum page size for the document feeder is 148 x 105 mm (5.83 x 4.13 inches). If a jam exists, remove the jam. Then, resend the job.


Faxes stop during sending.

Cause	Solution
The receiving fax machine might be malfunctioning.	Try sending to another fax machine.
The telephone line might not be working.	Do one of the following: <ul style="list-style-type: none">• Turn up the volume on the product, and then press the Send Fax  button on the control panel. If you hear a dial tone, the telephone line is working.• Disconnect the product from the jack in the wall, and then connect a telephone to the jack. Try to make a telephone call to verify that the telephone line is working.
A communication error might be interrupting the fax job.	Change the redial-on-communication-error setting to On .

The product is receiving faxes but is not sending them.

Cause	Solution
If the product is on a digital system, the system might be generating a dial tone that the product cannot detect.	Disable the detect-dial-tone setting. If the error persists, contact the system service provider.
A poor telephone connection might exist.	Try again later.
The receiving fax machine might be malfunctioning.	Try sending to another fax machine.
The telephone line might not be working.	Do one of the following: <ul style="list-style-type: none">• Turn up the volume on the product and press the Send Fax  button on the control panel. If a dial tone exists, the telephone line is working.• Disconnect the product from the telephone jack and connect a telephone. Try to make a telephone call to verify that the telephone line is working.

Outgoing fax calls continue to be dialed.

Cause	Solution
The product automatically redials a fax number if the redial options are set to On .	To stop the product from redialing a fax, press the Cancel  button. Or change the redial setting.

Sent faxes are not arriving at the receiving fax machine.

Cause	Solution
The receiving fax machine might be off or might have an error condition, such as being out of paper.	Call the recipient to verify that the fax machine is on and ready to receive faxes.
The originals might be incorrectly loaded.	Verify that the original documents are correctly loaded into the document feeder.
A fax might be in memory because it is waiting to redial a busy number, other jobs that are ahead of it are waiting to be sent, or the fax is set up for a delayed send.	If a fax job is in memory for any of these reasons, an entry for the job appears in the fax log. Print the fax activity log and check the Status column for jobs that show a Pending designation.


The control panel shows a low-memory error.

Cause	Solution
The fax might be too large, or the resolution might be too high.	Try one of the following: <ul style="list-style-type: none">• Divide a large fax into smaller sections, and then fax them individually.• Clear stored faxes to make more memory available for outgoing faxes.• Configure the outgoing fax as a delayed fax, and then verify that it will send completely.• Make sure that the product is using the lowest resolution setting (Standard).

Faxes are transmitting very slowly.

Cause	Solution
The fax might be very complex, such as one with many graphics.	Complex faxes take longer to be sent or received. Breaking longer faxes into multiple jobs and decreasing the resolution can increase the transmission speed.
The receiving fax machine might have a slow modem speed.	The product sends the fax only at the fastest modem speed that the receiving fax machine can accept.
The resolution at which the fax was sent might be very high.	To send the fax, lower the resolution and resend the fax.
The telephone line might be experiencing line noise.	Hang up and resend the fax. Have the telephone company check the telephone line. If the fax is being sent via a digital phone line, contact the service provider.
The fax is being sent via an international call.	Allow more time to transmit fax jobs internationally.
The original document has a colored background.	Reprint the original document with a white background, and then resend the fax.


Problems receiving faxes

 **NOTE:** Use the fax cord that came with the product in order to ensure that the product functions correctly.

The product cannot receive faxes from an extension telephone.

Cause	Solution
The extension-telephone setting might be disabled.	Change the extension-telephone setting.
The fax cord might not be securely connected.	Verify that the fax cord is securely connected between the telephone jack and the product (or another device that is connected to the product). Press 1-2-3 in sequence, wait for three seconds, and then hang up.
The product dialing mode might be incorrectly set, or the extension phone might be incorrectly set.	Verify that the product dialing mode is set to Tone . Verify that the extension phone is set up for tone dialing as well.

The product is not answering incoming fax calls.

Cause	Solution
The answer mode might be set to Manual .	If the answer mode is set to Manual , the product does not answer calls. Start the fax-receiving process manually.
The rings-to-answer setting might not be set correctly.	Check the rings-to-answer setting to verify that it is set properly.
The answer-ring pattern feature might be turned on, but you do not have the service, or you do have the service and the feature is not set correctly.	Check the answer-ring pattern feature to verify that it is set properly.
The fax cord might not be correctly connected, or the fax cord is not working.	See the getting started guide to check the installation. Verify that you are using the fax cord that came with the product.
The product might not be able to detect incoming fax tones because the answering machine is playing a voice message.	Re-record the answering machine message, leaving at least two seconds of silence at the beginning of the message.
Too many devices might be connected to the telephone line.	Do not attach more than three devices to the line. Remove the last device that was connected and determine whether the product works. If not, continue removing devices one at a time and retry after removing each one.
The telephone line might not be working.	Do one of the following: <ul style="list-style-type: none">• Increase the volume on the product, and then press the Send Fax  button on the control panel. If a dial tone exists, the telephone line is working.• Disconnect the product from the telephone jack, and then connect a telephone. Try to make a telephone call to verify that the telephone line is working.

The product is not answering incoming fax calls.

Cause	Solution
A voice-messaging service might be interfering with the product as it attempts to answer calls.	Do one of the following: <ul style="list-style-type: none">• Disable the messaging service.• Get a telephone line that is dedicated to fax calls.• Set the product answer mode to Manual. In manual mode, you must start the fax-receive process yourself.• Leave the product set to automatic mode and lower the rings-to-answer setting for the product to a number less than the rings-to-answer setting for the voice mail. The product will answer all incoming calls.
The product might be out of paper and the memory is full.	Refill the media input tray. Press the OK button. The product prints all of the faxes it has saved in memory and then resumes answering fax calls.

Faxes are not printing.

Cause	Solution
The media input tray is empty.	Load media. Any faxes that are received while the input tray is empty are stored in memory and will print after the tray has been refilled.
The receive-to-PC option might be selected, and faxes are being received by the computer.	Check to determine whether the computer is receiving faxes.
The product has encountered an error.	Check the control panel for an error message.

Faxes are printing on two pages instead of one.

Cause	Solution
The autoreduction setting might not be set correctly.	Turn on the autoreduction setting.
The incoming faxes might have been sent on larger media.	Adjust the autoreduction setting to allow larger pages to be printed on one page.

Received faxes are too light, are blank, or have poor print quality.

Cause	Solution
The product ran out of toner while printing a fax.	The product stores the most recently printed faxes. (The amount of memory that is available determines the actual number of faxes stored for reprinting.) As soon as possible, replace the print cartridge, and then reprint the fax.
The fax that was sent was too light.	Contact the sender and have the sender resend the fax after altering the contrast settings.

Faxes are being received very slowly.

Cause	Solution
The fax might be very complex, such as one with many graphics.	Complex faxes take longer to be received. Breaking longer faxes into multiple jobs and decreasing the resolution can increase the transmission speed.
The resolution at which the fax was sent or is being received might be very high.	To receive the fax, call and ask the sender to lower the resolution and resend the fax.
The fax is being sent via an international call.	Allow more time to transmit fax jobs internationally.

Regulatory information and warranties


For regulatory and warranty information, see [Additional statements for telecom \(fax\) products on page 239](#).


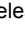


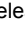

11 Manage and maintain the product




- [Print information pages](#)
- [Use the HP Toolbox software](#)
- [Use the HP Embedded Web Server \(M1210 Series only\)](#)
- [Product security features](#)
- [Economy settings](#)
- [Manage supplies and accessories](#)
- [Clean the product](#)
- [Product updates](#)

Print information pages

Information pages reside within the product memory. These pages help diagnose and solve problems with the product.

 **NOTE:** M1210 Series: If the product language was not correctly set during installation, you can set the language manually so the information pages print in one of the supported languages. Change the language by using the **System setup** menu on the control panel.

Page description	How to print the page
Configuration page Shows the current settings and product properties.	Both models <ol style="list-style-type: none">1. Open the printer driver, and then click the Properties or Preferences button.2. Click the Services tab, and then, in the Print Information Pages drop-down list, click the Config Page list item.3. Click the Print button. M1130 Series At the control panel, press and hold the Cancel  button until the Ready  light starts blinking, and then release the button. M1210 Series <ol style="list-style-type: none">1. On the product control panel, press the Setup  button.2. Use the arrow buttons to select the Reports menu, and then press the OK button.3. Use the arrow buttons to select the Config report option, and then press the OK button.
Supplies Status page Shows the status of the print cartridge, information about the number of pages and jobs printed with the print cartridge, and information about ordering a new print cartridge.	Both models <ol style="list-style-type: none">1. Open the printer driver, and then click the Properties or Preferences button.2. Click the Services tab, and then, in the Print Information Pages drop-down list, click the Supplies Status Page list item.3. Click the Print button. M1130 Series At the control panel, press and hold the Cancel  button until the Ready  light starts blinking, and then release the button. The supplies status page prints after the configuration page prints. M1210 Series <ol style="list-style-type: none">1. On the product control panel, press the Setup  button.2. Use the arrow buttons to select the Reports menu, and then press the OK button.3. Use the arrow buttons to select the Supplies Status option, and then press the OK button.

Page description	How to print the page
Demo page Contains examples of text and graphics.	Both models <ol style="list-style-type: none"> 1. Open the printer driver, and then click the Properties or Preferences button. 2. Click the Services tab, and then, in the Print Information Pages drop-down list, click the Demo Page list item. 3. Click the Print button.
Menu map (M1210 Series only) Shows the control-panel menus and available settings.	M1210 Series <ol style="list-style-type: none"> 1. On the product control panel, press the Setup  button. 2. Use the arrow buttons to select the Reports menu, and then press the OK button. 3. Use the arrow buttons to select the Demo page option, and then press the OK button. <hr/> <ol style="list-style-type: none"> 1. On the product control panel, press the Setup  button. 2. Use the arrow buttons to select the Reports menu, and then press the OK button. 3. Use the arrow buttons to select the Menu structure option, and then press the OK button.
Fax reports (M1210 Series only)	<ol style="list-style-type: none"> 1. On the product control panel, press the Setup  button. 2. Use the arrow buttons to select the Reports menu, and then press the OK button. 3. Use the arrow buttons to select the Fax Reports option, and then press the OK button.

Use the HP Toolbox software


Perform a full software installation in order to use the HP Toolbox.

HP Toolbox is a software program that you can use for the following tasks:

- Check the product status.
- Configure the product settings.
- Configure pop-up-alert messages.
- View troubleshooting information.
- View online documentation.

View HP Toolbox software

Open HP Toolbox in one of these ways:

M1130 Series	<ol style="list-style-type: none">1. Open the printer driver, and then click the Properties or Preferences button.2. Click the Services tab.
M1210 Series	<ul style="list-style-type: none">• In the Windows system tray, double-click the product icon .• On the Windows Start menu, click Programs (or All Programs in Windows XP), click HP, click HP LaserJet Professional M1130/M1210 MFP Series, and then click HP Toolbox.

The HP Toolbox software contains the following sections for each product in the Devices window:

- **Status**
- **Fax** (M1210 Series only)

In addition to these sections, every page contains the following common elements:

- **Shop for Supplies.**
- **Other links.**

Status

The **Status** folder contains links to the following main pages:

- **Device Status.** View product status information. This page indicates product conditions such as a jam or an empty tray. After you correct a product problem, click **Refresh status** to update the product status.

Fax (M1210 Series only)

Use the HP Toolbox **Fax** tab to perform fax tasks from your computer. The **Fax** tab contains links to the following main pages:

- **Fax Tasks.** Perform such tasks as sending a fax or clearing the fax memory, or set the fax receive mode.
- **Fax Phone Book.** Add, edit, or delete entries in the all-in-one phone book.
- **Fax Send Log.** View all of the recent faxes that have been sent from the all-in-one.
- **Fax Receive Log.** View all of the recent faxes that have been received by the all-in-one.
- **Fax Data Properties.** Manage the space used to store faxes on a computer. These settings apply only if you have chosen to send or receive faxes remotely from a computer.

Fax tasks

The following three options are available when receiving a fax:

- Print the fax. You can also select an option to have a message appear on your computer to notifying you when the fax was printed.
- Receive the fax on your computer. You can also select an option to have a message appear on your computer to notifying you when the fax arrives. If the fax machine is connected to multiple computers, only one computer can be designated to receive faxes.
- Forward the fax to another fax machine.




NOTE: You must click **Apply** before the changes take effect.

Fax phone book

Use the HP Toolbox Fax phone book to add and remove entries or import phone books from a variety of sources.

- To add a new entry, click **New**. Type the contact name in the **Contact name** window. Type the fax number in the **Fax number** window. Click **Add/Edit**.
- To edit an existing entry, click anywhere on the row containing the contact name to select it, type changes in the appropriate windows, and then click **Add/Edit**. Make sure that you do not have a check mark in the **Select** column.
- To delete an entry, select the item and then click **Delete**.
- To move entries, you can select the entry and then click **Move**, or you can select **Move** and then specify the entry in the dialog box. Either select **Next empty row** or specify the number of the row where you want to move the entry.

 **NOTE:** If you specify a row that is occupied, the new entry will overwrite the existing entry.

- To import contacts from a phone book that exists in Lotus Notes, Outlook, or Outlook Express, click **Import Phone Book**. Select the appropriate software program, navigate to the appropriate file, and then click **OK**. You can also select individual entries from the phone book instead of importing the entire phone book.
- To select all of the entries in your phone book, click the **Select** column heading.

In addition to numerical digits, the following are valid characters for fax numbers:

- (
-)
- +
- -
- *
- #
- R
- W
- .
- ,
- <space>

 **NOTE:** You must click **Apply** before the changes take effect.

Fax send log

The HP Toolbox Fax send log lists all recently sent faxes and information about them, including the date and time sent, job number, fax number, page count, and the results.

When you send a fax from a computer that is connected to the product, the fax contains a **View** link. Clicking this link opens a new page that provides information about the fax.

Click any column heading in the Fax send log to re-sort the information in that column in ascending or descending order.

The Results column provides the status of the fax. If the fax attempt was unsuccessful, this column provides a description of why the fax was not sent.

 **NOTE:** You must click **Apply** before the changes take effect.

Fax receive log

The HP Toolbox Fax receive log provides a list of all recently received faxes and information about them including the date and time received, job number, fax number, page count, results, and an abbreviated fax image.

When you receive a fax on a computer that is connected to the all-in-one, the fax contains a **View** link. Clicking this link opens a new page that provides information about the fax.

Click on any column heading in the Fax receive log to re-sort the information in that column in ascending or descending order.

The Results column provides the status of the fax. If the fax attempt was unsuccessful, this column provides a description of why the fax was not received.

 **NOTE:** You must click **Apply** before the changes take effect.

Shop for Supplies

This button, at the top of each page, links to a Web site where you can order replacement supplies. You must have Internet access to use this feature.

Other Links

This section contains links that connect you to the Internet. You must have Internet access in order to use any of these links. If you use a dial-up connection and did not connect when you first opened the HP Toolbox, you must connect before you can visit these Web sites. Connecting might require that you close the HP Toolbox and reopen it.

- **HP Instant Support.** Connects to the HP Instant Support Web site.
- **Product Support.** Connects to the support site for the product where you can search for help with a specific problem.
- **Shop for Supplies.** Order supplies at the HP Web site.
- **Product Registration.** Connects to the HP product registration Web site.

Use the HP Embedded Web Server (M1210 Series only)


Use the HP Embedded Web Server (EWS) to view product and network status and to manage printing functions from a computer.

- View product status information
- Determine the remaining life on all supplies and order new ones
- View and change the product default configuration settings
- View and change network configuration

You do not need to install any software on the computer. You only need to use one of these supported Web browsers:


- Internet Explorer 6.0 (and later)
- Firefox 1.0 (and later)
- Mozilla 1.6 (and later)
- Opera 7.0 (and later)
- Safari 1.2 (and later)
- Konqueror 3.2 (and later)


The HP Embedded Web Server works when the product is connected to a TCP/IP-based network. The HP Embedded Web Server does not support IPX-based connections or direct USB connections.

 **NOTE:** You do not have to have Internet access to open and use the HP Embedded Web Server. However, if you click a link on any of the pages, you must have Internet access to go to the site associated with the link.

Open the HP Embedded Web Server

To open the HP Embedded Web Server, type the IP address or host name of the product in the address field of a supported Web browser. To find the IP address or host name, print a configuration page.

 **NOTE:** If an error occurs while opening the HP Embedded Web Server, confirm that the proxy settings are correct for your network.

 **TIP:** After you open the URL, bookmark it so that you can return to it quickly in the future.

Features

Information tab

The Information pages group consists of the following pages:

- **Device Status** displays the status of the product and HP supplies.
- **Device Configuration** shows the information found on the Configuration page.

- **Supplies Status** shows the status of HP supplies and provides part numbers. To order new supplies, click **Order Supplies** in the upper-right part of the window.
- **Network Summary** shows the information found on the **Network Summary** page.

Settings tab

Use this tab to configure the product from your computer. If this product is networked, always consult with the product administrator before changing settings on this tab.

The **Settings** tab contains the **Printing** page where you can view and change the default print job settings.

Networking tab

Network administrators can use this tab to control network-related settings for the product when it is connected to an IP-based network.

HP Smart Install tab

 **NOTE:** This tab is supported for Windows only.

Use this tab to install the product driver and software on a computer. Click the **Download** button to start the installation process, and then follow the onscreen instructions to finish the process.

Links

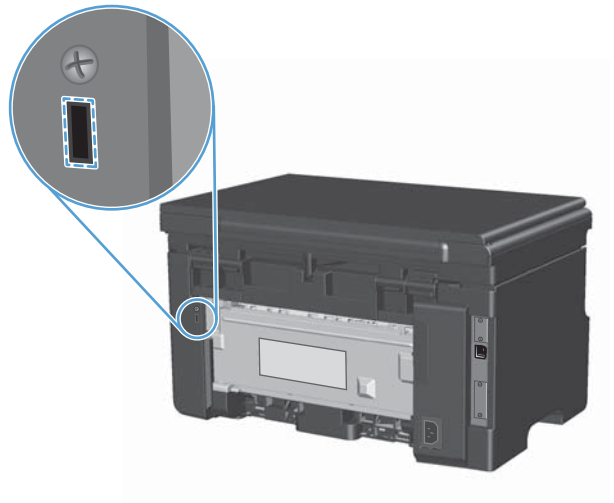
Links are located in the upper-right part of the status pages. You must have Internet access to use any of these links. If you use a dial-up connection and did not connect when you first opened the HP Embedded Web Server, you must connect before you can visit these Web sites. Connecting might require that you close the HP Embedded Web Server and reopen it.

- **Shop for Supplies.** Click this link to connect to the Sure Supply Web site and order genuine HP supplies from HP or a reseller of your choice.
- **Support.** Connects to the product support site. You can search for help regarding general topics.

Product security features

Lock the formatter

1. The formatter area, on the back of the product, has a slot that you can use to attach a security cable. Locking the formatter prevents someone from removing valuable components from it.



Economy settings

Print with EconoMode

This product has an EconoMode option for printing drafts of documents. Using EconoMode can use less toner and decrease the cost per page. However, using EconoMode can also reduce print quality.

HP does not recommend the full-time use of EconoMode. If EconoMode is used full-time, the toner supply might outlast the mechanical parts in the print cartridge. If print quality begins to degrade under these circumstances, you must install a new print cartridge, even if there is toner supply remaining in the cartridge.


1. On the **File** menu in the software program, click **Print**.
2. Select the product, and then click the **Properties** or **Preferences** button.
3. Click the **Paper/Quality** tab.
4. Click the **EconoMode** check box.

Auto-Off mode

Auto-Off is an energy-saving feature of this product. After a user-specified time period, the product automatically reduces its power consumption (Auto-Off). The product returns to the ready state when a button is pressed or a print job is received.

Change the Auto-Off delay time

You can change how long the product remains idle (Auto-Off delay) before it enters Auto-Off mode.

 **NOTE:** The default Auto-Off delay setting is 5 minutes.

1. Use the printer driver to change the default settings. Follow the appropriate procedure, depending on the operating system you are using.

Windows XP, Windows Server 2003, and Windows Server 2008 (using the default Start menu view)

- a. Click **Start**, and then click **Printers and Faxes**.
- b. Right-click the driver icon, and then select **Properties**.
- c. Click the **Device Settings** tab.


Windows XP, Windows Server 2003, and Windows Server 2008 (using the Classic Start menu view)

- a. Click **Start**, click **Settings**, and then click **Printers**.
- b. Right-click the driver icon, and then select **Properties**.
- c. Click the **Device Settings** tab.


Windows Vista

- a. Click **Start**, click **Control Panel**, and then in the category for **Hardware and Sound** click **Printer**.
- b. Right-click the driver icon, and then select **Properties**.
- c. Click the **Device Settings** tab.

Mac OS X 10.4

- a. From the Apple menu , click the **System Preferences** menu and then click the **Print & Fax** icon.
- b. Click the **Printer Setup** button.

Mac OS X 10.5 and 10.6

- a. From the Apple menu , click the **System Preferences** menu and then click the **Print & Fax** icon.
- b. Select the product in the left side of the window.
- c. Click the **Options & Supplies** button.
- d. Click the **Driver** tab.


2. Select the Auto-Off delay from the **Auto-Off** drop-down list.

 **NOTE:** The changed setting does not go into effect until a print job is sent to product.

Manage supplies and accessories

Correctly using, storing, and monitoring the print cartridge can help ensure high-quality print output.


Print when a cartridge reaches estimated end of life

When a print cartridge reaches the end of its estimated useful life, the product turns on the toner  light on the control panel. You do not need to replace the supply at this time unless print quality is no longer acceptable. When the supply has reached this condition, the HP Premium Protection warranty for that supply has ended.

Manage print cartridges


Print-cartridge storage

Do not remove the print cartridge from its package until you are ready to use it.

 **CAUTION:** To prevent damage to the print cartridge, do not expose it to light for more than a few minutes.

HP policy on non-HP print cartridges

Hewlett-Packard Company cannot recommend the use of non-HP print cartridges, either new or remanufactured.

 **NOTE:** Any damage caused by a non-HP print cartridge is not covered under the HP warranty and service agreements.

HP fraud hotline and Web site

Call the HP fraud hotline (1-877-219-3183, toll-free in North America) or go to www.hp.com/go/anticounterfeit when you install an HP print cartridge and the control-panel message says the cartridge is non-HP. HP will help determine if the cartridge is genuine and take steps to resolve the problem.

Your print cartridge might not be a genuine HP print cartridge if you notice the following:

- You are experiencing a high number of problems with the print cartridge.
- The cartridge does not look like it usually does (for example, the orange pull tab is missing, or the packaging differs from HP packaging).

Recycle supplies

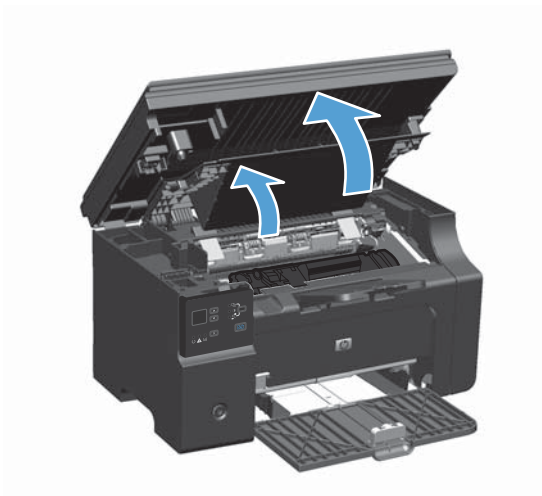
To recycle a genuine HP print cartridge, place the used cartridge in the box in which the new cartridge arrived. Use the enclosed return label to send the used supply to HP for recycling. For complete information, see the recycling guide that is included with each new HP supply item.

Replacement instructions

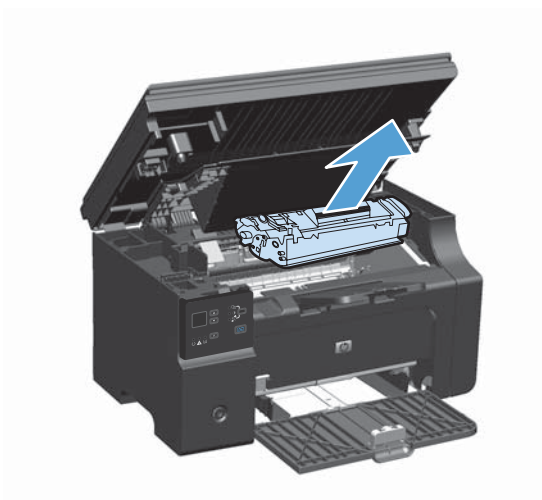
Redistribute toner

When a small amount of toner remains in print cartridge, faded or light areas might appear on the printed page. You might be able to temporarily improve print quality by redistributing the toner.

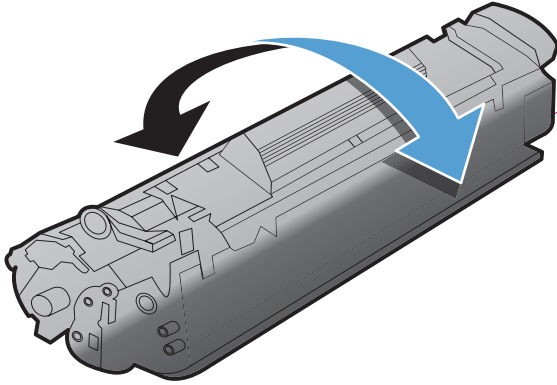
1. Lift the scanner assembly, and open the print-cartridge door.



2. Remove the print cartridge.

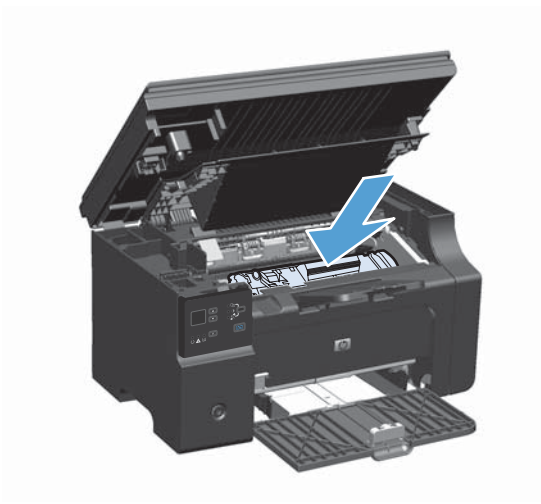


3. To redistribute the toner, gently rock the print cartridge from front to back.

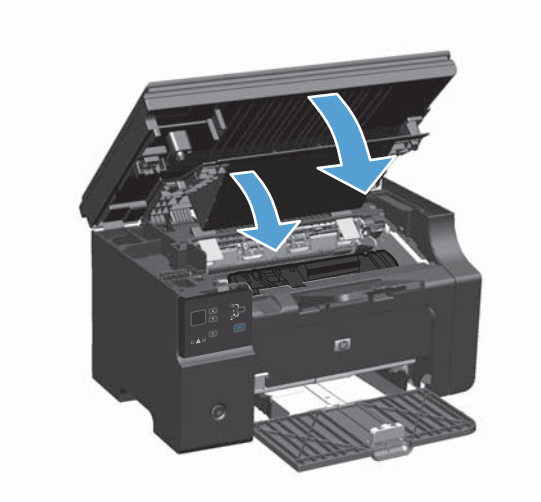


△ **CAUTION:** If toner gets on your clothing, wipe it off with a dry cloth and wash the clothing in cold water. *Hot water sets toner into the fabric.*

4. Install the print cartridge.



5. Close the print-cartridge door and the scanner assembly.

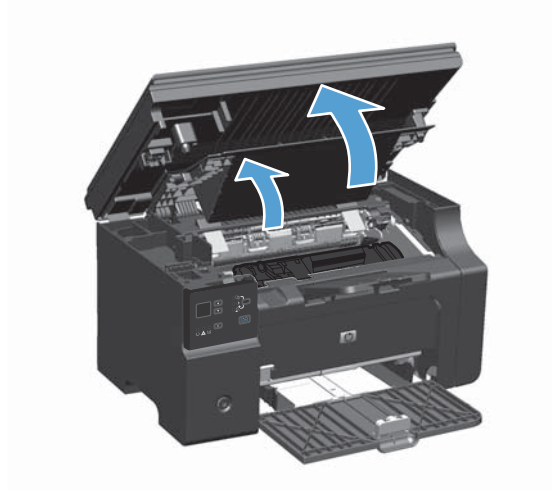


If the print is still light, install a new print cartridge.

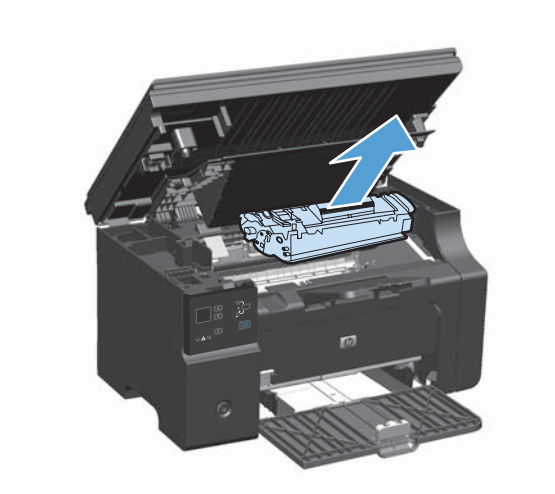
Replace the print cartridge

When a print cartridge approaches the end of useful life, you can continue printing with the current cartridge until redistributing the toner no longer yields acceptable print quality.

1. Lift the scanner assembly, and open the print-cartridge door.

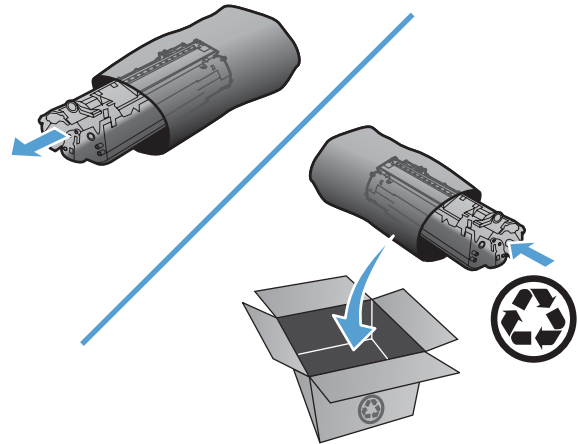


2. Remove the old print cartridge.

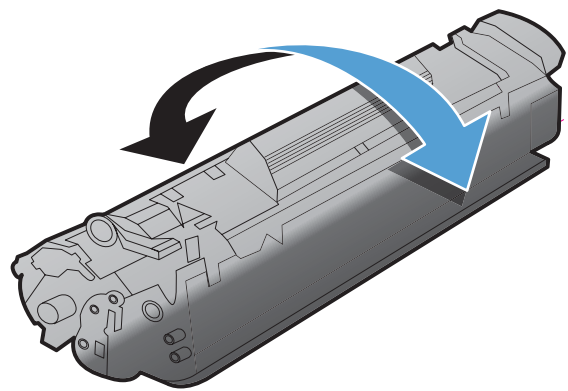


3. Remove the new print cartridge from the packaging. Place the used print cartridge in the bag and box for recycling.

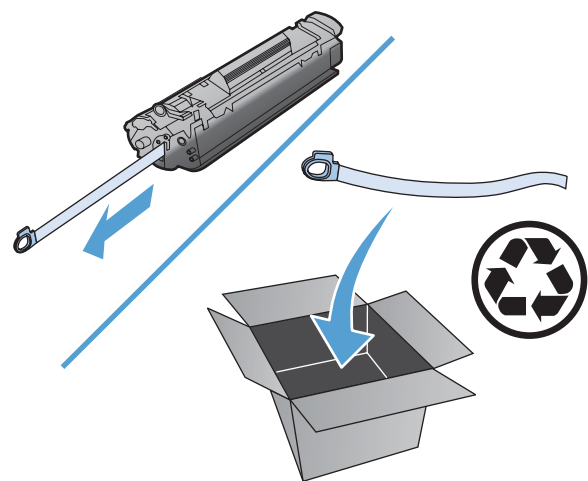
CAUTION: To prevent damage to the print cartridge, hold the print cartridge at each end. Do not touch the cartridge shutter or the roller surface.



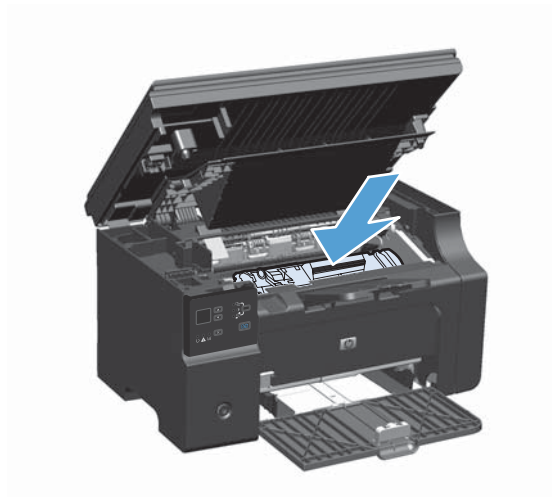
4. Grasp both sides of the print cartridge and gently rock the print cartridge to distribute the toner evenly inside the cartridge.



5. Bend the tab on the left side of the cartridge until the tab breaks loose, and then pull the tab until all the tape is removed from the cartridge. Place the tab and tape in the print-cartridge box to return for recycling.

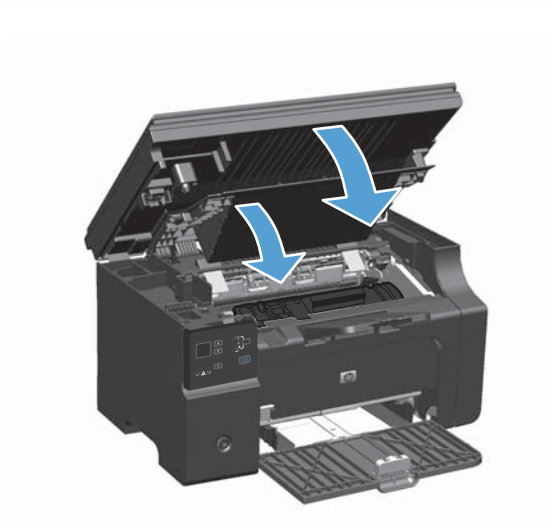


6. Install the print cartridge.



7. Close the print-cartridge door and the scanner assembly.

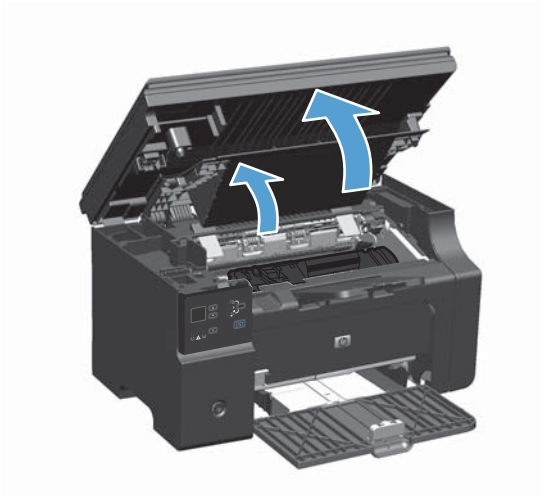
CAUTION: If toner gets on your clothing, wipe it off with a dry cloth and wash the clothing in cold water. *Hot water sets toner into the fabric.*



Replace the pickup roller

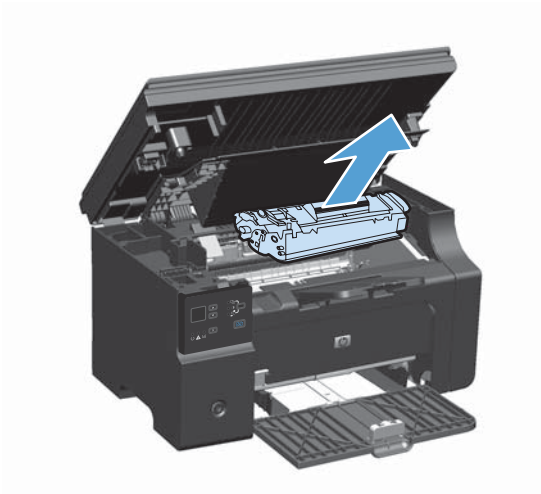
The pickup roller wears out with normal use. Using poor-quality paper can cause the pickup roller to wear out more frequently. If the product regularly does not pick up a sheet of paper, you might need to clean or replace the pickup roller.

1. Lift the scanner assembly, and open the print-cartridge door.

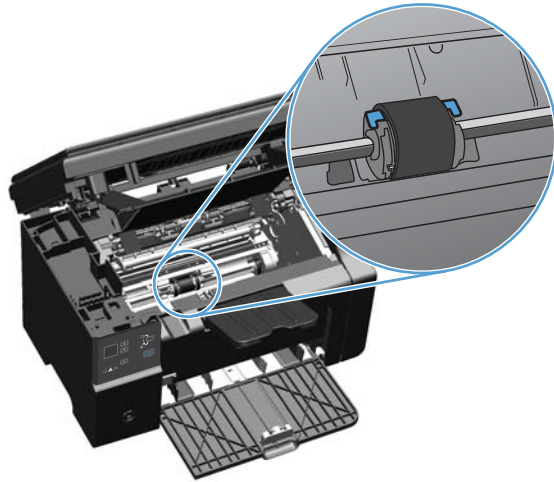


2. Remove the print cartridge.

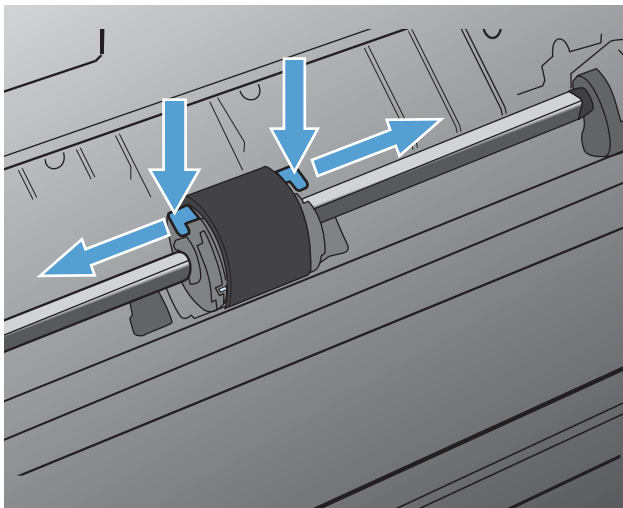
△ **CAUTION:** To prevent damage to the print cartridge, minimize its exposure to direct light. Cover the print cartridge with a sheet of paper.



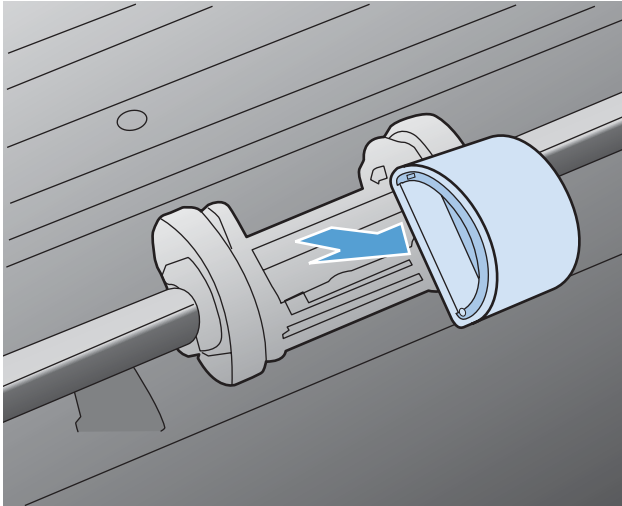
3. Find the pickup roller.



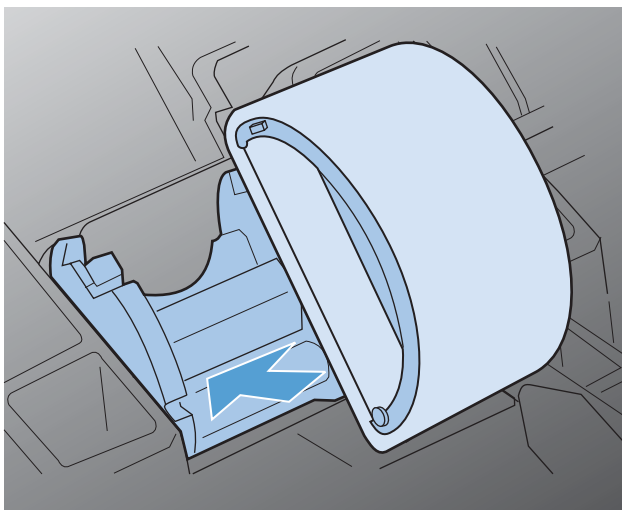
4. Release the small, white tabs on each side of the pickup roller, and rotate the pickup roller toward the front.



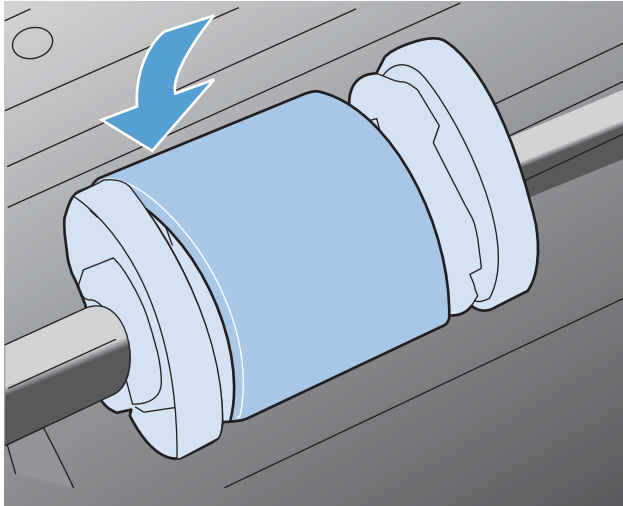
5. Gently pull the pickup roller up and out.



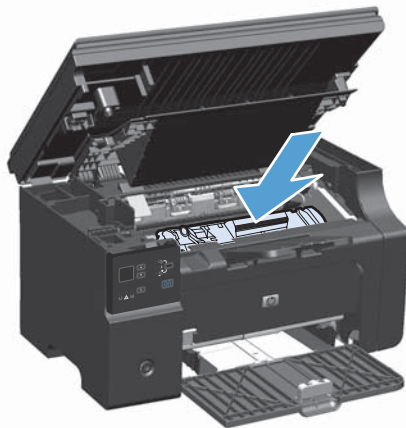
6. Position the new pickup roller in the slot. The circular and rectangular slots on each side prevents you from installing the roller incorrectly.



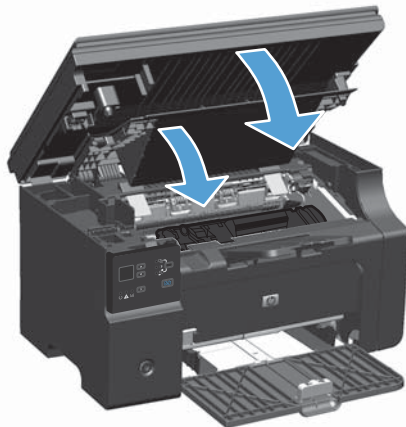
7. Rotate the top of the new pickup roller away from you until both sides snap into place.



8. Install the print cartridge.




9. Close the print-cartridge door and the scanner assembly.




Replace the separation pad

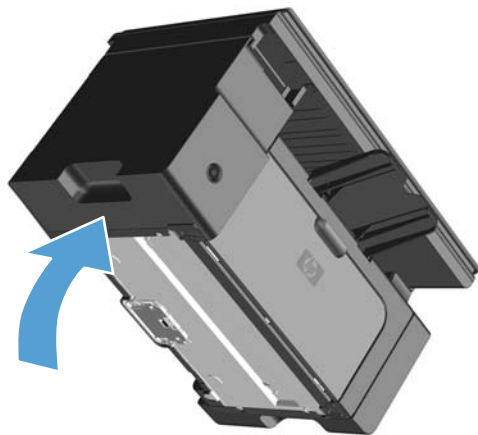
The separation pad wears out with normal use. Using poor-quality paper can cause the separation pad to wear out more frequently. If the product regularly pulls multiple sheets of paper at a time, you might need to clean or replace the separation pad.

 **NOTE:** Before changing the separation pad, clean the pickup roller.

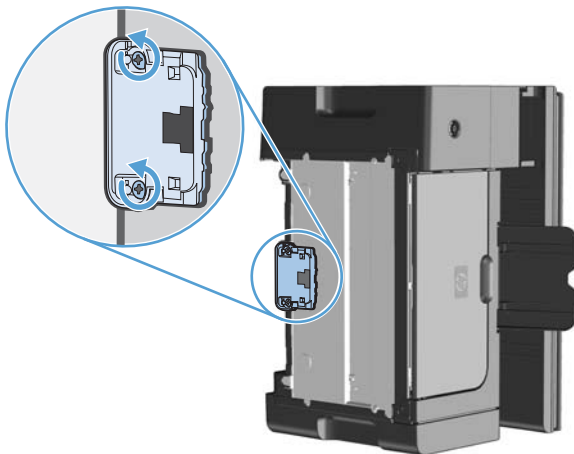
 **WARNING!** Before changing the separation pad, turn the product off, disconnect the power cord from the wall outlet, and then wait for the product to cool.

1. Disconnect the power cord from the product.
2. Remove the paper and close the input tray. Set the product on its side.

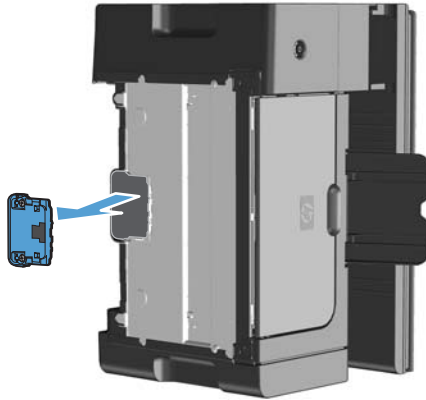
 **CAUTION:** The scanner assembly opens when the product is on its side.



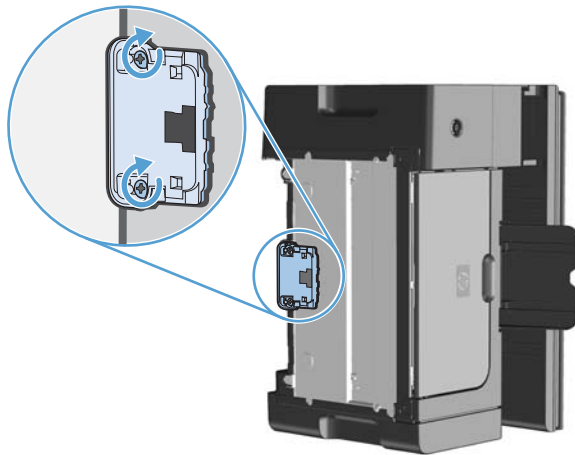
3. At the bottom of the product, unscrew the two screws holding the separation pad in place.



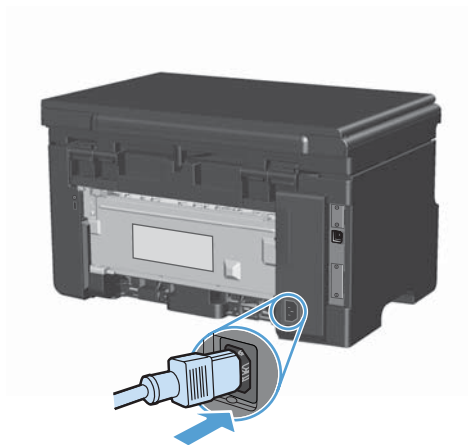
4. Remove the separation pad.



5. Insert the new separation pad, and screw it into place.



6. Place the product in the upright position, reconnect the power cord, and then turn on the product.



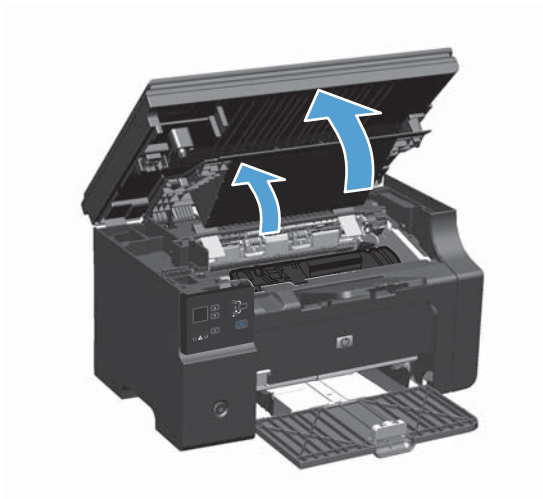
Clean the product

Clean the pickup roller

If you want to clean the pickup roller before deciding to replace it, follow these instructions:

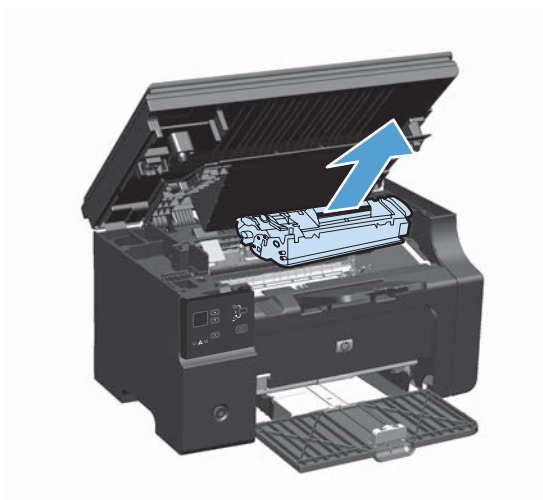
⚠ WARNING! Before cleaning the pickup roller, turn the product off, disconnect the power cord from the wall outlet, and then wait for the product to cool.

1. Lift the scanner assembly, and open the print-cartridge door.

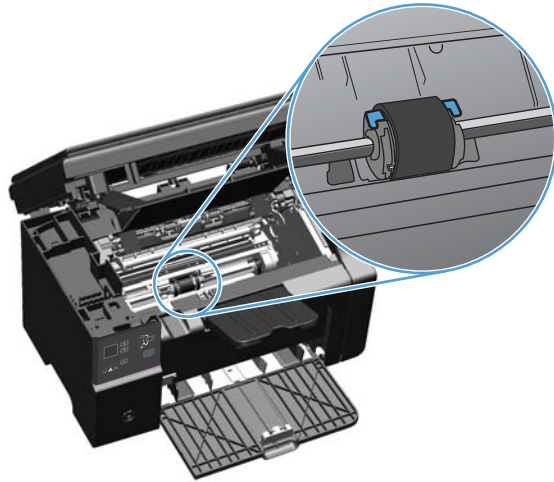


2. Remove the print cartridge.

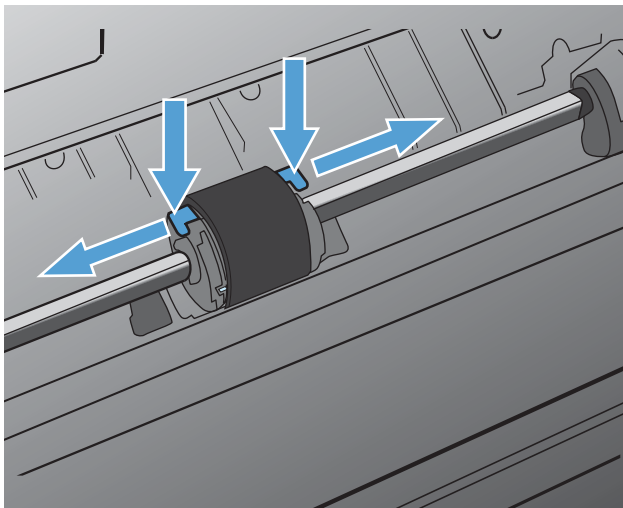
⚠ CAUTION: To prevent damage to the print cartridge, minimize its exposure to direct light. Cover the print cartridge with a sheet of paper.



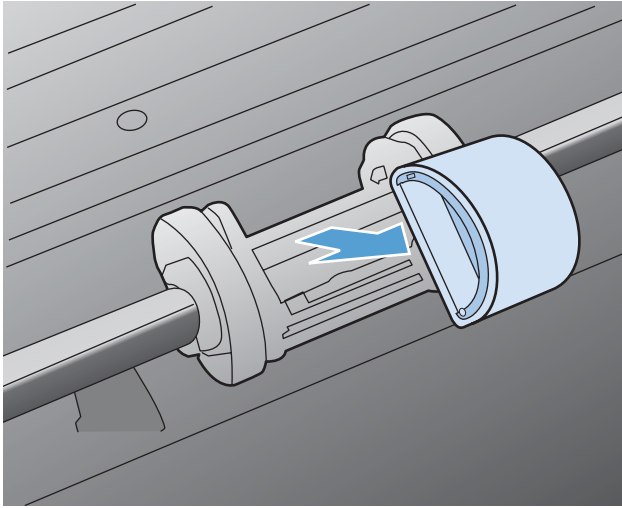
3. Find the pickup roller.



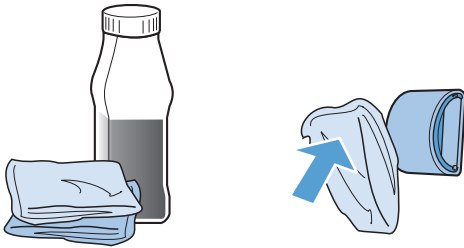
4. Release the small, white tabs on each side of the pickup roller, and rotate the pickup roller toward the front.



5. Gently pull the pickup roller up and out.



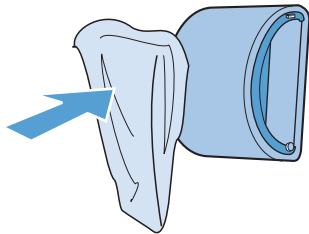
6. Dab a lint-free cloth in isopropyl alcohol, and scrub the roller.



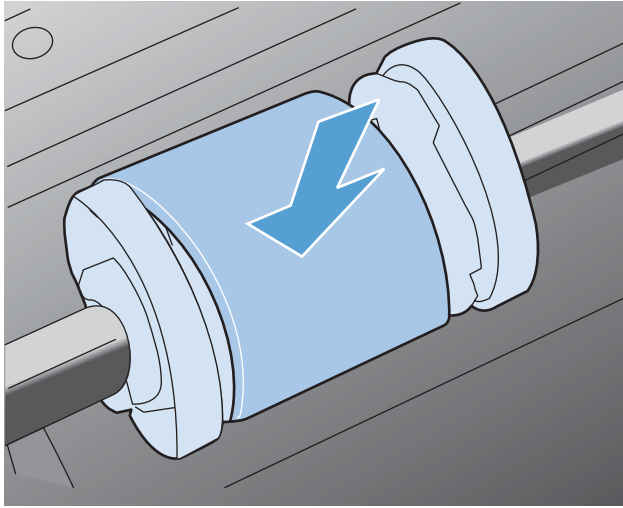
⚠ **WARNING!** Alcohol is flammable. Keep the alcohol and cloth away from an open flame. Before you close the product and plug in the power cord, allow the alcohol to dry completely.

📄 **NOTE:** In certain areas of California, air pollution control regulations restrict the use of liquid Isopropyl Alcohol (IPA) as a cleaning agent. In those areas of California, please disregard the previous recommendations and use a dry, lint-free cloth, moistened with water, to clean the pickup roller.

7. Using a dry, lint-free cloth, wipe the pickup roller to remove loosened dirt.



8. Allow the pickup roller to dry completely before you reinstall it in the product.



9. Reconnect the power cord.

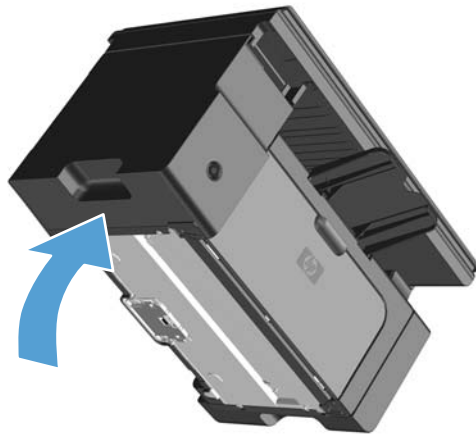
Clean the separation pad

The separation pad wears out with normal use. Using poor-quality paper can cause the separation pad to wear out more frequently. If the product regularly pulls multiple sheets of paper at a time, you might need to clean or replace the separation pad.

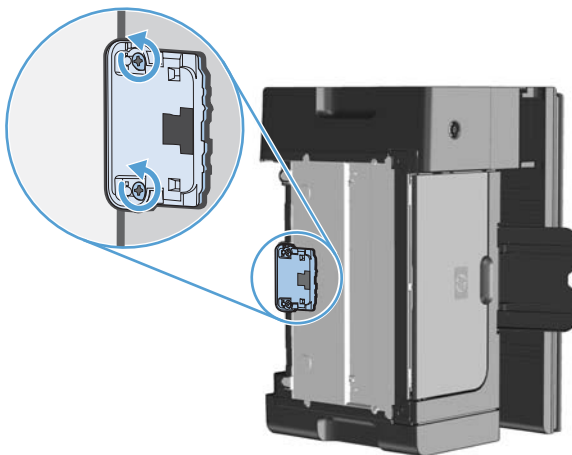
⚠ **WARNING!** Before cleaning the separation pad, turn the product off, disconnect the power cord from the wall outlet, and then wait for the product to cool.

1. Disconnect the power cord from the product.
2. Remove the paper and close the input tray. Set the product on its side.

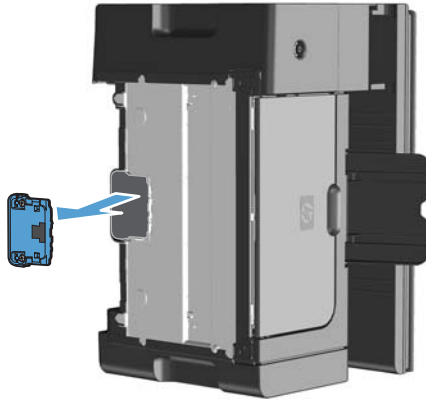
⚠ **CAUTION:** The scanner assembly opens when the product is on its side.



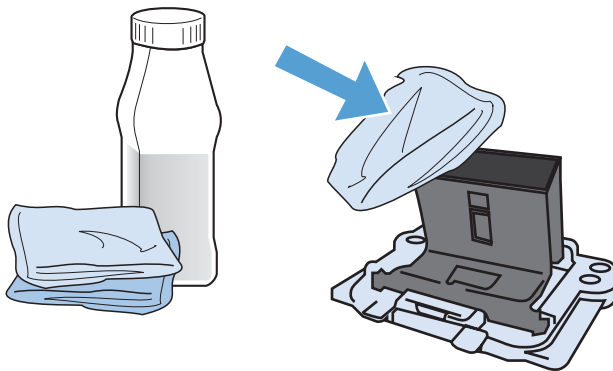
3. At the bottom of the product, unscrew the two screws holding the separation pad in place.



4. Remove the separation pad.



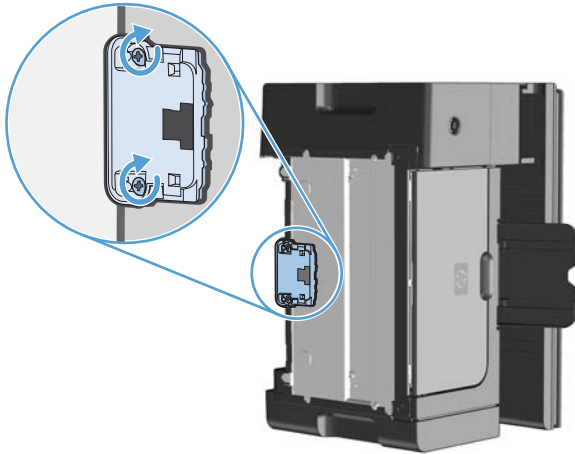
5. Dab a lint-free cloth in isopropyl alcohol, and scrub the separation pad. Use a dry, lint-free cloth to remove the loosened dirt, and wait for the separation pad to dry.



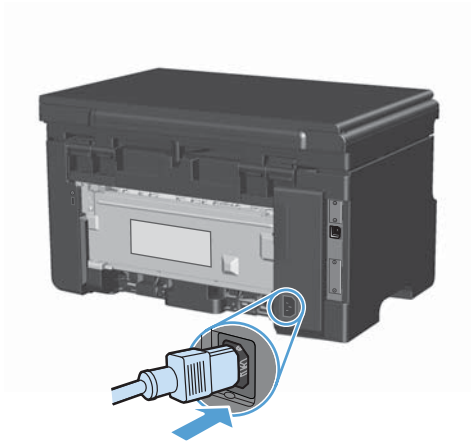
⚠ WARNING! Alcohol is flammable. Keep the alcohol and cloth away from an open flame. Before you close the product and plug in the power cord, allow the alcohol to dry completely.

📝 NOTE: In certain areas of California, air pollution control regulations restrict the use of liquid Isopropyl Alcohol (IPA) as a cleaning agent. In those areas of California, please disregard the previous recommendations and use a dry, lint-free cloth, moistened with water, to clean the pickup roller.

6. Insert the cleaned separation pad, and screw it into place.

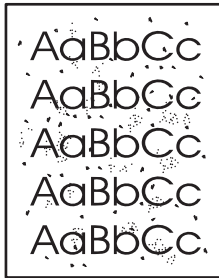



7. Place the product in the upright position, reconnect the power cord, and then turn on the product.




Clean the paper path

If you are experiencing toner specks or dots on the printouts, clean the paper path. This process uses a transparency to remove dust and toner from the paper path. Do not use bond or rough paper.



 **NOTE:** For best results use a sheet of transparency. If you do not have any transparencies, you can use copier-grade media (60 to 163 g/m² (16 to 43 lb)) that has a smooth surface.

1. Make sure that the product is idle and the Ready  light is on.
2. Load media in the input tray.
3. Use the printer driver to process the cleaning page. Follow the appropriate procedure, depending on the operating system you are using.

Windows XP, Windows Server 2003, and Windows Server 2008 (using the default Start menu view)

- a. Click **Start**, and then click **Printers and Faxes**.
- b. Right-click the driver icon, and then select **Properties**.
- c. Click the **Device Settings** tab.


Windows XP, Windows Server 2003, and Windows Server 2008 (using the Classic Start menu view)

- a. Click **Start**, click **Settings**, and then click **Printers**.
- b. Right-click the driver icon, and then select **Properties**.
- c. Click the **Device Settings** tab.


Windows Vista


- a. Click **Start**, click **Control Panel**, and then in the category for **Hardware and Sound** click **Printer**.
- b. Right-click the driver icon, and then select **Properties**.
- c. Click the **Device Settings** tab.

Mac OS X 10.4

- a. From the Apple menu , click the **System Preferences** menu and then click the **Print & Fax** icon.
- b. Click the **Printer Setup** button.

Mac OS X 10.5 and 10.6

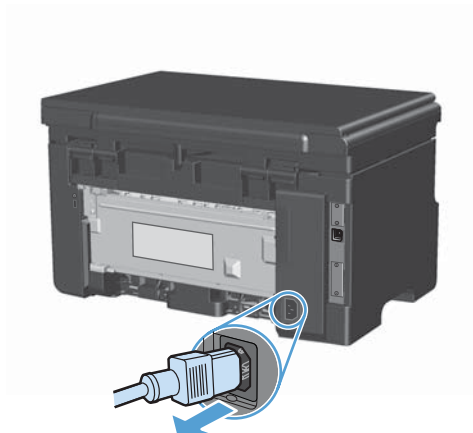
- a. From the Apple menu , click the **System Preferences** menu and then click the **Print & Fax** icon.
 - b. Select the product in the left side of the window.
 - c. Click the **Options & Supplies** button.
 - d. Click the **Driver** tab.
4. In the **Cleaning Page** area, click the **Start** button to process the cleaning page.

 **NOTE:** The cleaning process takes about 2 minutes. The cleaning page stops periodically during the cleaning process. Do not turn the product off until the cleaning process has finished. You might need to repeat the cleaning process several times to thoroughly clean the product.

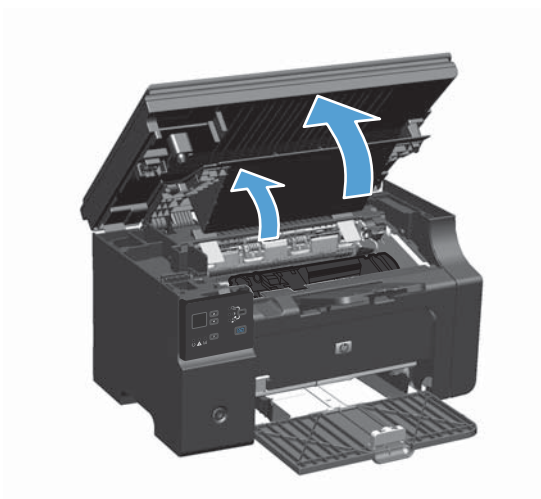
Clean the print-cartridge area

You do not need to clean the print-cartridge area often. However, cleaning this area can improve the quality of the printed sheets.

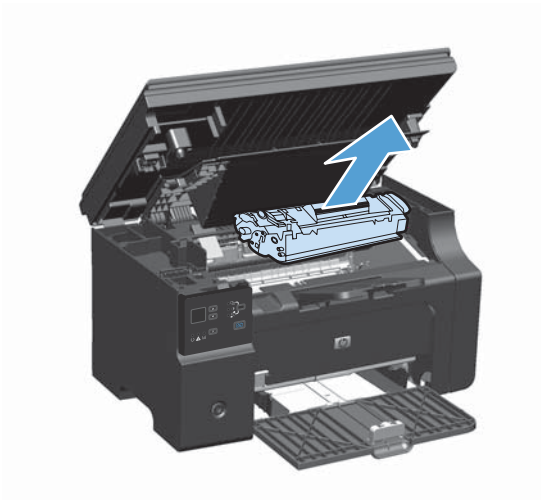
1. Disconnect the power cord from the product.



2. Lift the scanner assembly, and open the print-cartridge door.



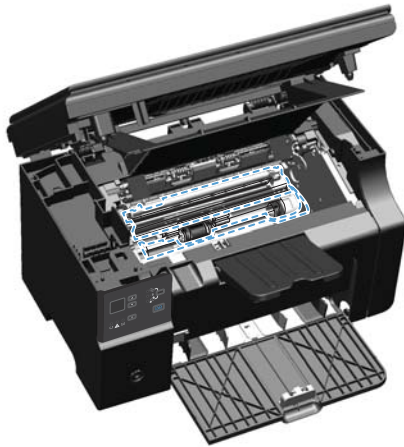
3. Remove the print cartridge.



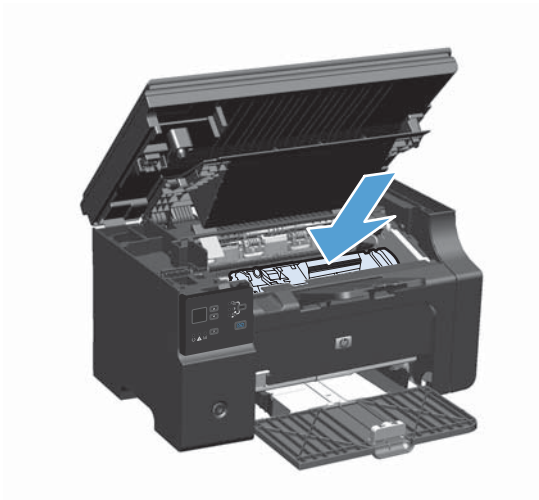
△ **CAUTION:** Do not touch the black-sponge transfer roller inside the product. Doing so can damage the product.

CAUTION: To prevent damage, do not expose the print cartridge to light. Cover it with a piece of paper.

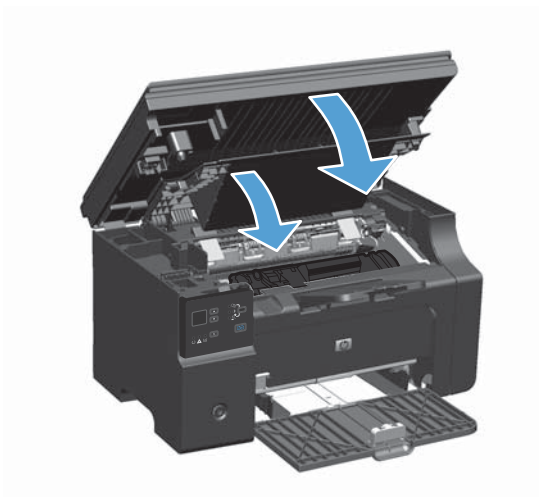
4. With a dry, lint-free cloth, wipe any residue from the paper-path area and the print-cartridge cavity.



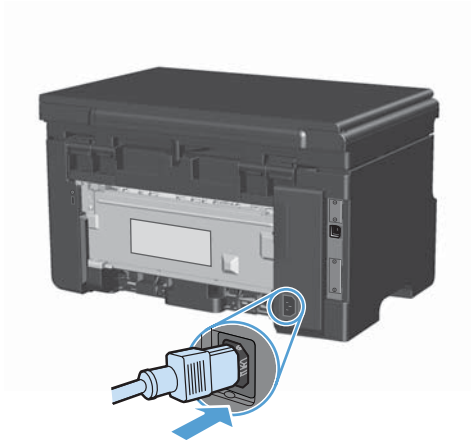
5. Install the print cartridge.



6. Close the print-cartridge door and the scanner assembly.



7. Reconnect the power cord.



8. Print a few pages to clean any toner residue from the product.

Clean the exterior

Use a soft, damp, lint-free cloth to wipe dust, smudges, and stains off of the exterior of the device.

Clean the scanner glass strip and platen

Over time, specks of debris might collect on the scanner glass and white plastic backing, which can affect performance. Use the following procedure to clean the scanner glass and white plastic backing.

1. Use the power switch to turn off the product, and then unplug the power cord from the electrical socket.
2. Open the scanner lid.

3. Clean the scanner glass and the white plastic backing with a soft cloth or sponge that has been moistened with nonabrasive glass cleaner.



△ **CAUTION:** Do not use abrasives, acetone, benzene, ammonia, ethyl alcohol, or carbon tetrachloride on any part of the product; these can damage the product. Do not place liquids directly on the glass or platen. They might seep and damage the product.

4. Dry the glass and white plastic backing with a chamois or a cellulose sponge to prevent spotting.
5. Plug in the product, and then use the power switch to turn on the product.

Product updates

Software and firmware updates and installation instructions for this product are available at www.hp.com/support/ljm1130series or www.hp.com/support/ljm1210series. Click **Downloads and drivers**, click the operating system, and then select the download for the product.

12 Solve problems

- [Solve general problems](#)
- [Restore the factory-set defaults \(M1210 Series only\)](#)
- [Interpret control-panel light patterns \(M1130 Series only\)](#)
- [Interpret control-panel messages \(M1210 Series only\)](#)
- [Clear jams](#)
- [Solve paper-handling problems](#)
- [Solve image-quality problems](#)
- [Solve performance problems](#)
- [Solve connectivity problems](#)
- [Solve software problems](#)

Solve general problems

If the product is not responding correctly, complete the steps in the following checklist, in order. If the product does not pass a step, follow the corresponding troubleshooting suggestions. If a step resolves the problem, you can stop without performing the other steps on the checklist.

Troubleshooting checklist

1. Make sure that the product is set up correctly.
 - a. Press the power button to turn on the product or to deactivate the Auto-Off mode.
 - b. Check the power-cable connections.
 - c. Make sure that the line voltage is correct for the product power configuration. (See the label that is on the back of the product for voltage requirements.) If you are using a power strip and its voltage is not within specifications, plug the product directly into the wall. If it is already plugged into the wall, try a different outlet.
 - d. If none of these measures restores power, contact HP Customer Care.
2. Check the cabling.
 - a. Check the cable connection between the product and the computer. Make sure that the connection is secure.
 - b. Make sure that the cable itself is not faulty by using a different cable, if possible.
 - c. Check the network connection (M1210 Series only): Make sure the network light is lit. The network light is next to the network port on the back of the product.

If the product remains unable to connect to the network, uninstall and then reinstall the product. If the error persists, contact a network administrator.
3. M1130 Series: Check to see if any control-panel lights are lit.
M1210 Series: Check to see if any messages appear on the control panel.
4. Make sure that the paper that you are using meets specifications.
5. Make sure that the paper is loaded correctly in the input tray.
6. Make sure that the product software is installed correctly.
7. Verify that you have installed the printer driver for this product, and that you are selecting this product from the list of available printers.
8. Print a configuration page.
 - a. If the page does not print, verify that the input tray contains paper.
 - b. Make sure that the print cartridge is installed correctly.

- c. If the page jams in the product, clear the jam.
- d. If the print quality is unacceptable, complete the following steps:
 - Verify that the print settings are correct for the media that you are using.
 - Solve print-quality problems.
9. Print a small document from a different program that has worked in the past. If this solution works, then the problem is with the program you are using. If this solution does not work (the document does not print), complete these steps:
 - a. Try printing the job from another computer that has the product software installed.
 - b. Check the cable connection. Direct the product to the correct port, or reinstall the software, selecting the connection type that you are using.

Factors that affect product performance


Several factors affect the time it takes to print a job:

- The use of special paper (such as transparencies, heavy paper, and custom-size paper)
- Product processing and download time
- The complexity and size of graphics
- The speed of the computer you are using
- The USB or network connection
- The product I/O configuration

Restore the factory-set defaults (M1210 Series only)

Restoring the factory-set defaults returns all of the settings to the factory defaults, and it also clears the fax header name, phone number, and any stored faxes in the product memory.

CAUTION: Restoring the factory-set defaults returns all of the settings to the factory defaults, and it also clears the fax header name, phone number, and any stored faxes in the product memory. This procedure also clears the fax phone book, and deletes any pages that are stored in the memory. The procedure then automatically restarts the product.

1. On the product control panel, press the Setup  button.
2. Use the arrows buttons to select the **Service** menu, and then press the **OK** button.
3. Use the arrows buttons to select the **Restore Defaults** option, and then press the **OK** button.

The product automatically restarts.

Interpret control-panel light patterns (M1130 Series only)

If the product requires attention, an error code appears on the control-panel display.

Table 12-1 Status-light legend




	Symbol for "light off"
	Symbol for "light on"
	Symbol for "light blinking"

Table 12-2 Control-panel light patterns

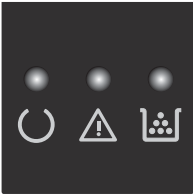
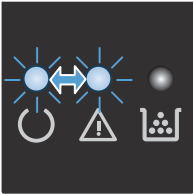
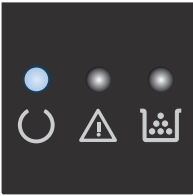

Light status	Error code	State of the product	Action
<p>All lights are off.</p> 		The product is turned off.	Press the power button to turn on the product.
<p>Ready and attention lights blink.</p> 		The status lights cycle during the formatter initialization period or when the product is processing a cleaning page.	No action is required. Wait for the initialization period to end. The product should enter the ready state when the initialization period is finished.
<p>Ready light is on.</p> 		The product is in the ready state.	No action is required. The product is ready to receive a print job.
<p>Ready light is blinking.</p> 		The product is receiving or processing data.	No action is required. The product is receiving or processing a print job.

Table 12-2 Control-panel light patterns (continued)




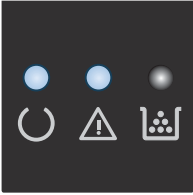
Light status	Error code	State of the product	Action
Ready light is blinking slowly.		The product is in low power mode.	No action is required.
			
Attention light is blinking.	E0	Paper is jammed in the product.	Clear the jam.
	E1	The input tray is empty.	Load the tray.
	E2	A door is open	Verify that the print-cartridge door is fully closed.
	E4	The product memory is full	The job is too complex for the product to print. Simplify the job, or divide it into multiple files.
	E5	The product did not pick up paper from the tray.	You might need to clean or replace the pickup roller.
	H0	The product is in manual-feed mode.	Load the correct paper type and size into the input tray.
	H1	The product is processing a manual duplex job.	Load the pages into the input tray to print the second sides.
The attention and toner lights are blinking.	E3	The print cartridge is missing or is not installed correctly.	Install the print cartridge.
The toner light is on.		The print cartridge has reached the end of its estimated useful life. When the supply has reached this condition, the HP Premium Protection warranty for that supply has ended.	You do not need to replace the print cartridge at this time unless print quality is no longer acceptable.
			

Table 12-2 Control-panel light patterns (continued)

Light status	Error code	State of the product	Action
<p>Attention light is blinking, and ready light is on.</p> 		The product has experienced a continual error from which it will recover on its own.	<p>If the recovery is successful, the product continues to the processing data state and completes the job.</p> <p>If the recovery is unsuccessful, the product continues to the continuable error state. Try removing any media from the media path and turning the product power off, and then on again.</p>
<p>The attention and ready lights are on.</p> 	<p>E6</p> <p>E7</p> <p>E8</p> <p>E9</p>	The product has experienced a fatal error from which it cannot recover.	<ol style="list-style-type: none"> 1. Turn off the product or disconnect the power cord from the product. 2. Wait 30 seconds, and then turn on the product or reconnect the power cord to the product. 3. Wait for the product to initialize. <p>If the error persists, contact HP customer support.</p>

Interpret control-panel messages (M1210 Series only)

Control-panel message types

Alert and warning messages appear temporarily and might require you to acknowledge the message by pressing the **OK** button to resume or by pressing the **Cancel** (X) button to cancel the job. With certain warnings, the job might not complete or the print quality might be affected. If the alert or warning message is related to printing and the auto-continue feature is on, the product will attempt to resume the printing job after the warning has appeared for 10 seconds without acknowledgement.

Critical error messages can indicate some kind of failure. Turning off and then turning on the power might fix the problem. If a critical error persists, the product might require service.

Control-panel messages

Control panel message	Description	Recommended action
50.X Fuser Error Turn off then on	The product has experienced an internal hardware error.	<ol style="list-style-type: none">1. Turn off the power by using the power switch, and then wait at least 30 seconds.2. If a surge protector is being used, remove it. Plug the product directly into the wall socket.3. Turn on the power and wait for the product to initialize. <p>If the error persists, contact HP. See www.hp.com/support/ljm1210series or the support flyer that came in the product box.</p>
52 Scanner Error Turn off then on	The product has experienced a scanner error.	<p>Turn off the power by using the power switch, wait at least 30 seconds, and then turn on the power and wait for the product to initialize.</p> <p>If a surge protector is being used, remove it. Plug the product directly into the wall socket. Use the power switch to turn the product on.</p> <p>If the error persists, contact HP. See www.hp.com/support/ljm1210series or the support flyer that came in the product box.</p>
54.1C Error Turn off then on	The product has experienced an internal hardware error.	<p>Turn off the power by using the power switch, wait at least 30 seconds, and then turn on the power and wait for the product to initialize.</p> <p>If a surge protector is being used, remove it. Plug the product directly into the wall socket. Use the power switch to turn the product on.</p> <p>If the error persists, contact HP. See www.hp.com/support/ljm1210series or the support flyer that came in the product box.</p>

Control panel message	Description	Recommended action
Comm. error	The product experienced a communication error while attempting to send or receive a fax.	<p>Verify that the fax phone line is working correctly.</p> <p>Try sending or receiving the fax again.</p> <p>If the error persists, contact HP. See www.hp.com/support/ljm1210series or the support flyer that came in the product box.</p>
Device error Press [OK]	The product experienced an internal communication error.	This is a warning message only. Job output might be affected.
Door open	The cover above the print cartridge is open.	Close the cover.
Engine comm. Error	The product has experienced an internal hardware error.	<ol style="list-style-type: none"> 1. Turn off the power by using the power switch, and then wait at least 30 seconds. 2. If a surge protector is being used, remove it. Plug the product directly into the wall socket. 3. Turn on the power and wait for the product to initialize. <p>If the error persists, contact HP. See www.hp.com/support/ljm1210series or the support flyer that came in the product box.</p>
Fax recv. error	The product was unable to receive an incoming fax.	<p>Verify that the fax phone line is working correctly.</p> <p>Ask the person who sent the fax to send it again.</p> <p>If the error persists, contact HP. See www.hp.com/support/ljm1210series or the support flyer that came in the product box.</p>
Fax Send error	The product was unable to send the fax.	<p>Try sending the fax later, or confirm with the recipient that the receiving fax machine is ready.</p> <p>If the error persists, contact HP. See www.hp.com/support/ljm1210series or the support flyer that came in the product box.</p>
Jam in <location> alternates with Open door and clear jam	The product has detected a jam in the location indicated in the message.	Clear the jam from the area indicated in the message, and then follow the control-panel instructions. Clearing some jams requires you to open the top cover and remove the print cartridge.
Load tray 1 PLAIN <SIZE> alternates with Cleaning Mode	The product is performing a cleaning cycle.	Load the tray with plain paper of the size indicated. Press the OK button to start the cleaning cycle.
Load tray <TYPE>, <SIZE>	The tray is empty.	Load the tray with the correct type and size of paper.

Control panel message	Description	Recommended action
Manual duplex alternates with Load tray1 Press [OK]	The product is processing a manual duplex job.	To print the second side, place the pages face down in the tray with the top edge first.
Manual feed <SIZE>, <TYPE> alternates with Press [OK] for available media	The product is set for the manual feed mode.	Load the tray with the correct size and type of paper, or press the OK button to use the paper that is in the tray.
Memory is low Press [OK]	The product does not have enough memory to process the job.	<p>If the product is processing other jobs, send the job again after those jobs have finished.</p> <p>If the problem continues, turn off the power by using the power switch, and then wait at least 30 seconds. Turn on the power and wait for the product to initialize.</p>
Misprint Press [OK]	The product has experienced an internal hardware error.	Press the OK button to continue. Job output might be affected.
No paper pickup Press [OK]	The product has experienced an internal hardware error.	Press the OK button to continue. Job output might be affected.
Page too complex Press [OK]	The product could not print the current page because of its complexity.	<p>Press the OK button to clear the message.</p> <p>Allow the product to finish the job, or press the Cancel ⊗ button to cancel the job.</p>
Printer jam clear paper path	The product has detected a jam in the input tray.	Clear the jam from the area indicated in the message, and then follow the control panel instructions.
Settings cleared	The product has cleared job settings.	Re-enter any appropriate job settings.

Clear jams

When clearing jams, be careful not to tear jammed paper. If a small piece of paper remains in the product, it could cause additional jams.

Common causes of jams

- The input tray is loaded incorrectly or is too full.



NOTE: When you add new media, always remove all of the media from the input tray and straighten the entire stack. This helps prevent multiple feeds and reduces media jams.

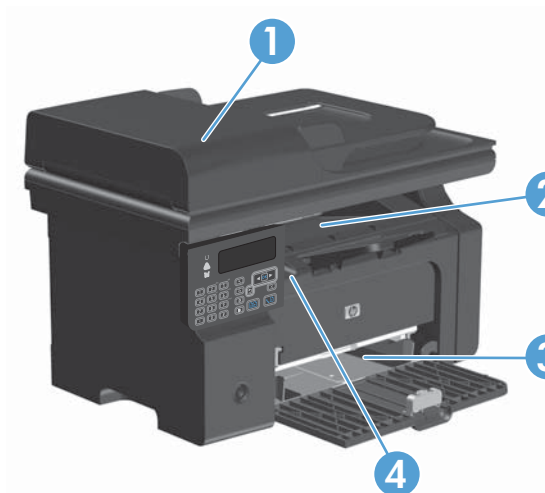
- The media does not meet HP specifications.
- The product might need to be cleaned to remove paper dust and other particles from the paper path.

Loose toner might remain in the product after a media jam. This toner clears up after a few sheets print.


△ **CAUTION:** If you get any toner on your clothes, wash them in cold water. *Hot water will permanently set the toner into the fabric.*

Jam locations

Jams can occur at the following locations in the product.

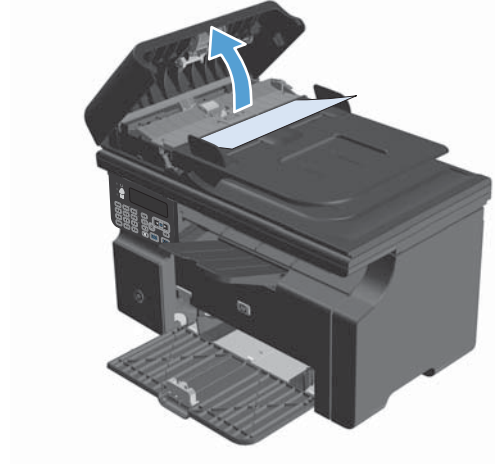


1	Document feeder (M1210 Series only)
2	Output bin
3	Input tray
4	Internal areas (open the print-cartridge door)

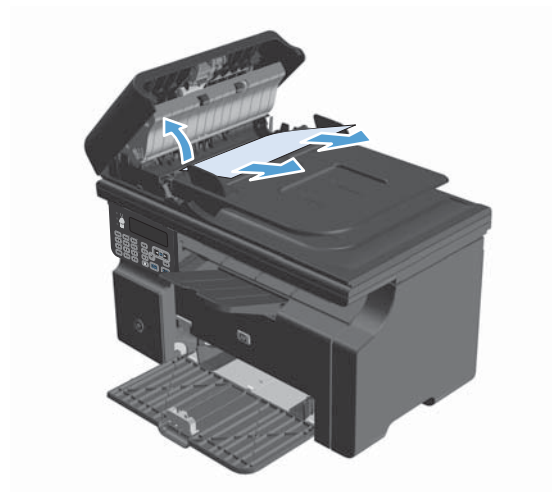
 **NOTE:** Jams can occur in more than one location.

Clear jams from the document feeder (M1210 Series only)

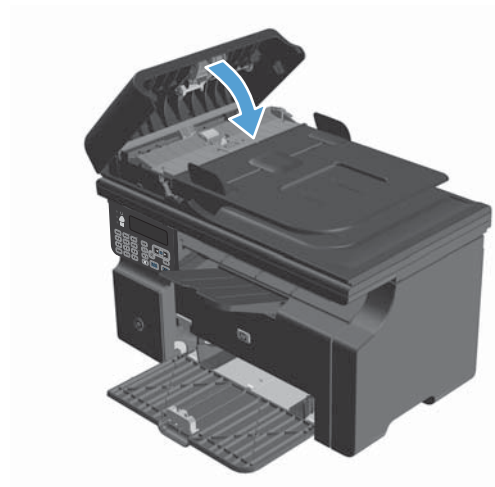
1. Open the document-feeder lid.



2. Carefully remove jammed paper. Gently try to remove the page without tearing it.



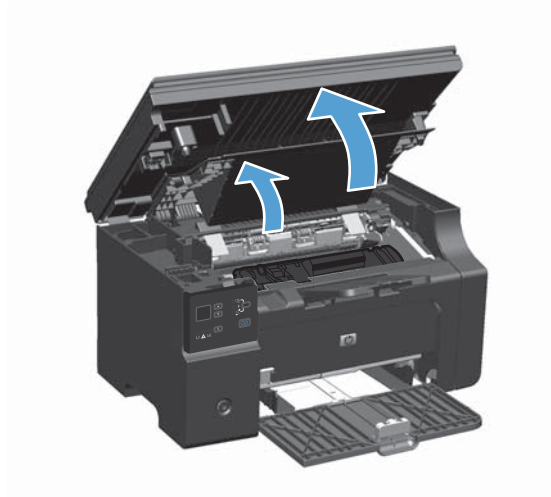
3. Close the document feeder lid.



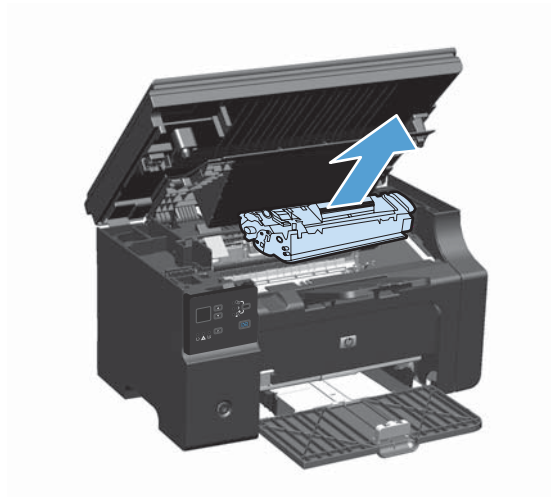
Clear jams from the output areas

△ **CAUTION:** Do not use sharp objects, such as tweezers or needle-nose pliers, to remove jams. Damage caused by sharp objects will not be covered by the warranty.

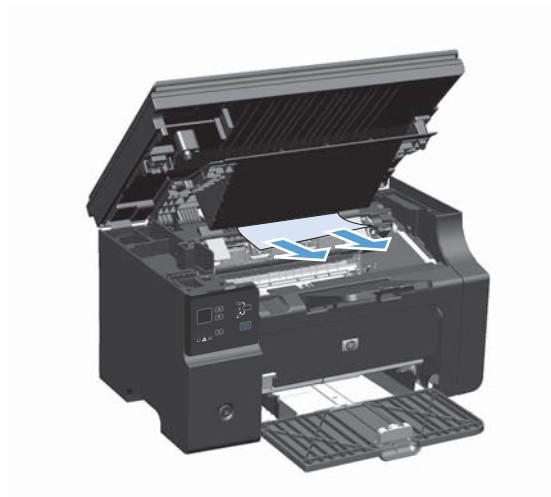
1. Lift the scanner assembly, and open the print-cartridge door.



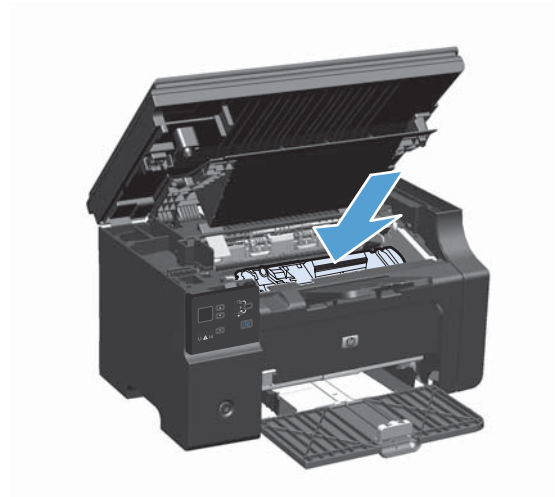
2. Remove the print cartridge.



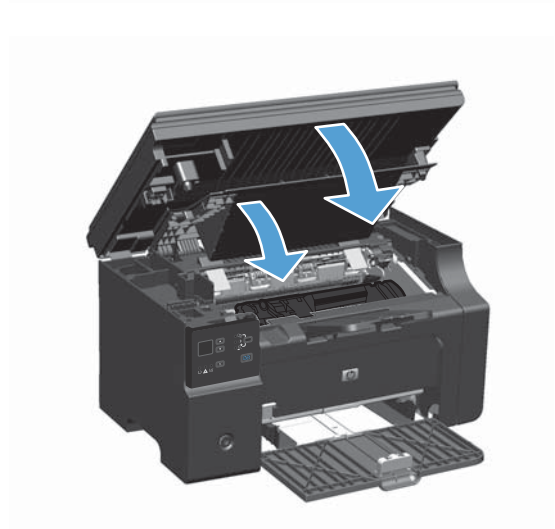
3. Keep the print cartridge door open, and then with both hands, grasp the side of the jammed media that is most visible (this includes the middle), and carefully pull it free from the product.



4. Install the print cartridge.

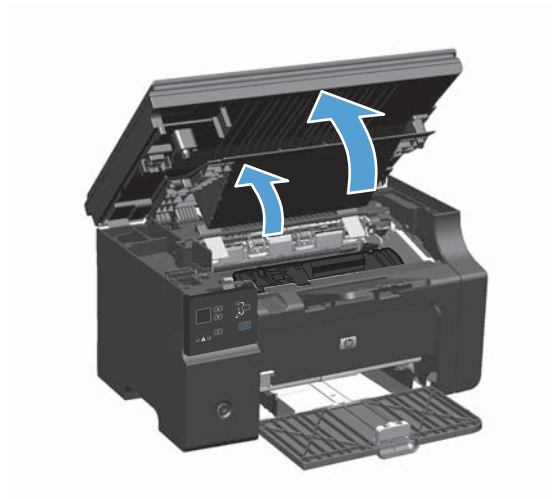


5. Close the print-cartridge door and the scanner assembly.

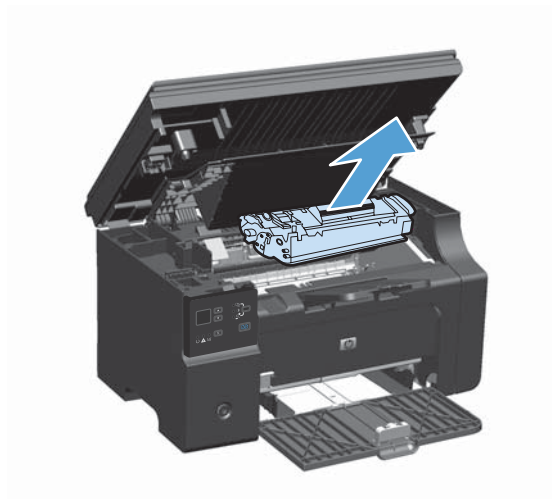


Clear jams from the input tray

1. Lift the scanner assembly, and open the print-cartridge door.



2. Remove the print cartridge.



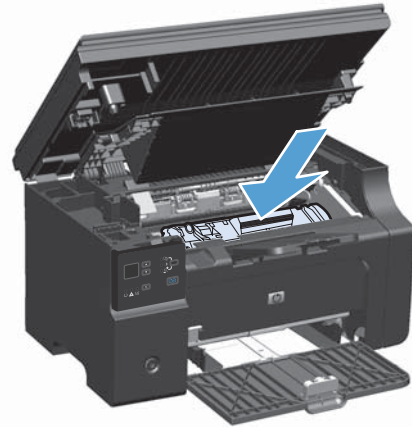
3. Remove the media stack from the input tray.



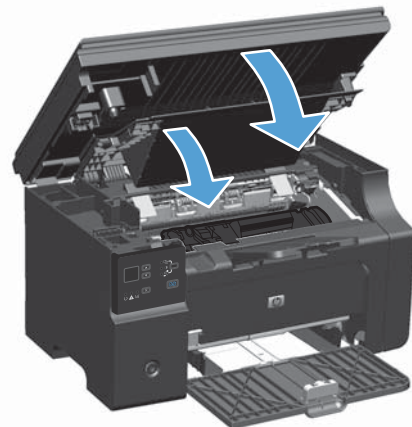
4. With both hands, grasp the side of the jammed media that is most visible (this includes the middle), and carefully pull it free from the product.



5. Install the print cartridge.

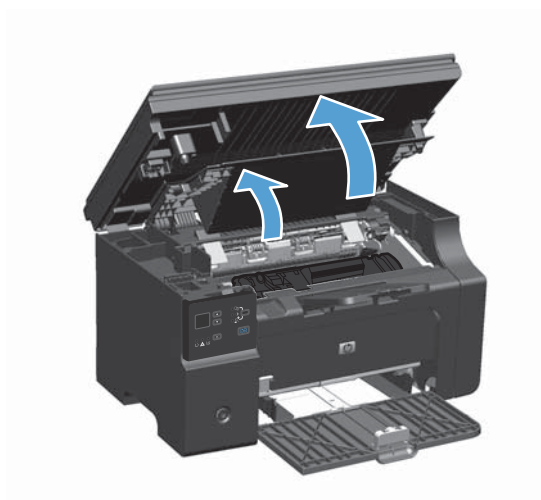


6. Close the print-cartridge door and the scanner assembly.

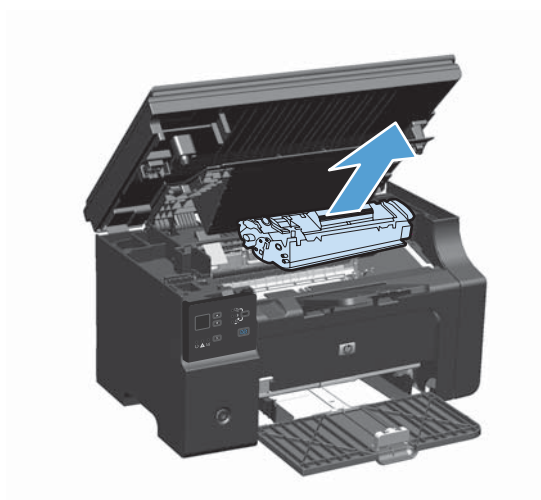


Clear jams from inside the product

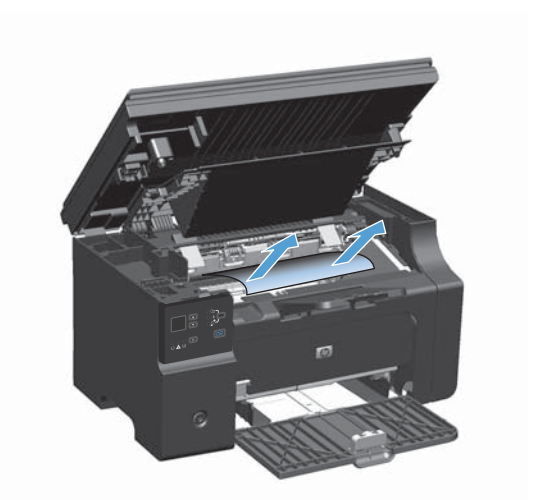
1. Lift the scanner assembly, and open the print-cartridge door.



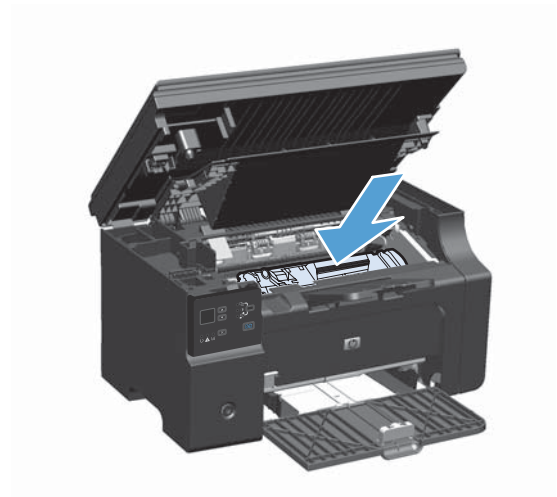
2. Remove the print cartridge.



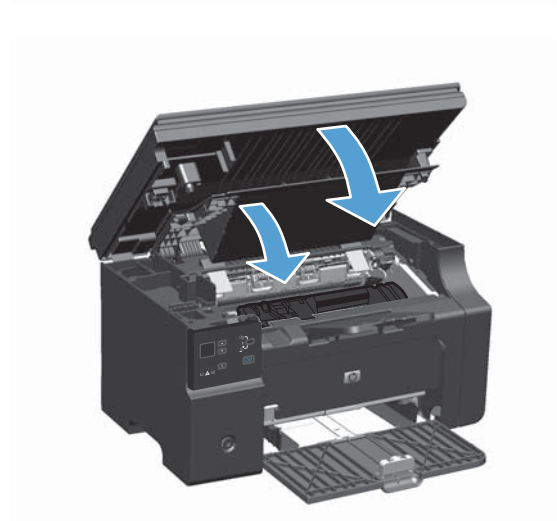
3. If you can see the jammed paper, carefully grasp the jammed paper, and slowly pull it out of the product.



4. Reinstall the print cartridge.



5. Close the print-cartridge door and the scanner assembly.



Change the jam recovery setting

When the Jam Recovery feature is turned on, the product reprints any pages that are damaged during a jam.

1. Use the printer driver to change the default settings. Follow the appropriate procedure, depending on the operating system you are using.

Windows XP, Windows Server 2003, and Windows Server 2008 (using the default Start menu view)

- a. Click **Start**, and then click **Printers and Faxes**.
- b. Right-click the driver icon, and then select **Properties**.
- c. Click the **Device Settings** tab.


Windows XP, Windows Server 2003, and Windows Server 2008 (using the Classic Start menu view)

- a. Click **Start**, click **Settings**, and then click **Printers**.
- b. Right-click the driver icon, and then select **Properties**.
- c. Click the **Device Settings** tab.


Windows Vista

- a. Click **Start**, click **Control Panel**, and then in the category for **Hardware and Sound** click **Printer**.
- b. Right-click the driver icon, and then select **Properties**.
- c. Click the **Device Settings** tab.

Mac OS X 10.4

- a. From the Apple menu , click the **System Preferences** menu and then click the **Print & Fax** icon.
- b. Click the **Printer Setup** button.

Mac OS X 10.5 and 10.6

- a. From the Apple menu , click the **System Preferences** menu and then click the **Print & Fax** icon.
 - b. Select the product in the left side of the window.
 - c. Click the **Options & Supplies** button.
 - d. Click the **Driver** tab.
2. Click the **Auto** option or the **Off** option under **Jam Recovery**.

Solve paper-handling problems

The following problems with media cause print-quality deviations, jamming, or damage to the product.




Problem	Cause	Solution
Poor print quality or toner adhesion	The paper is too moist, too rough, too heavy or too smooth, is embossed, or from a faulty paper lot.	Try another kind of paper, between 100 and 250 Sheffield, with 4% to 6% moisture content.
Dropouts, jamming, or curl	The paper has been stored incorrectly.	Store paper flat in its moisture-proof wrapping.
	The paper has variability from one side to the other.	Turn the paper over.
Excessive curl	The paper is too moist, has the wrong grain direction, or is of short-grain construction	Use long-grain paper.
	The paper varies from side-to-side.	Turn the paper over.
Jamming, damage to product	The paper has cutouts or perforations.	Use paper that is free of cutouts or perforations.
Problems with feeding	The paper has ragged edges.	Use high-quality paper that is made for laser printers.
	The paper varies from side-to-side.	Turn the paper over.
	The paper is too moist, too rough, too heavy or too smooth, has the wrong grain direction, is of short-grain construction, or it is embossed, or from a faulty paper lot.	Try another kind of paper, between 100 and 250 Sheffield, 4% to 6% moisture content. Use long-grain paper.
Print is skewed (crooked).	The media guides might be incorrectly adjusted.	Remove all media from the input tray, straighten the stack, and then load the media in the input tray again. Adjust the media guides to the width and length of the media that you are using and try printing again.
More than one sheet feeds at one time.	The media tray might be overloaded.	Remove some of the media from the tray.
	The media might be wrinkled, folded, or damaged.	Verify that the media is not wrinkled, folded, or damaged. Try printing on media from a new or different package.
The product does not pull media from the input tray.	The product might be in manual-feed mode.	At the computer, follow the onscreen instructions to deactivate manual-feed mode. Or, at the product, open and close the print-cartridge door.
	The pickup roller might be dirty or damaged.	Contact HP Customer Care. See www.hp.com/support/ljm1130series or www.hp.com/support/ljm1210series or the support flyer that came in the box.
	The paper-length adjustment control in the input tray is set at a length that is greater than the media size.	Set the paper-length adjustment control to the correct length.

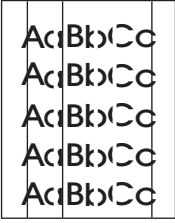

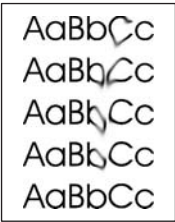
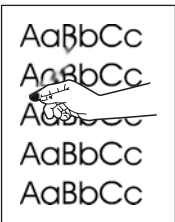
Solve image-quality problems

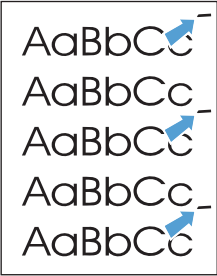
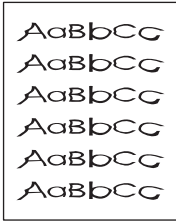
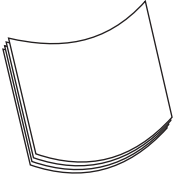
Print-quality examples

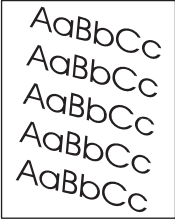
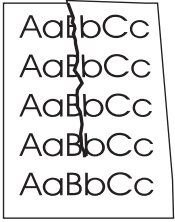
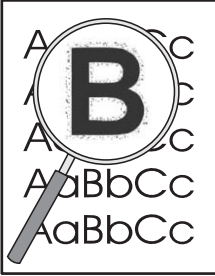

General print-quality issues

The following examples depict letter-size paper that has passed through the product short-edge-first. These examples illustrate problems that would affect all of the pages that you print. The topics that follow list the typical cause and solution for each of these examples.


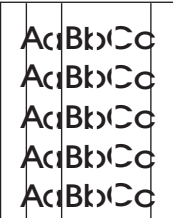
Problem	Cause	Solution
Print is light or faded. 	The paper might not meet HP specifications. The print cartridge might be defective or low. If you use a non-HP print cartridge, no messages appear on the product control panel. If the whole page is light, the print density adjustment is too light or EconoMode might be turned on.	Use paper that meets HP specifications. Replace the print cartridge. If the print cartridge is not low or empty, inspect the toner roller to see if the roller is damaged. If it is, replace the print cartridge. Adjust the print density, and disable EconoMode in the printer driver.
Toner specks appear. 	The paper might not meet HP specifications. The paper path might need cleaning.	Use paper that meets HP specifications. Clean the paper path.
Dropouts appear. 	A single sheet of paper might be defective. The moisture content of the paper is uneven or the paper has moist spots on its surface. The paper lot is flawed. The manufacturing processes can cause some areas to reject toner. The print cartridge might be defective or low.	Try reprinting the job. Try different paper, such as high-quality paper that is intended for laser printers. Replace the print cartridge. If the error persists, contact HP. See www.hp.com/support/ljm1130series or www.hp.com/support/ljm1210series or the support flyer that came in the product box.

Problem	Cause	Solution
Vertical streaks or bands appear on the page.	The print cartridge might be defective.	Replace the print cartridge.
		
The amount of background toner shading becomes unacceptable.	The paper might not meet HP specifications.	Use a different paper with a lighter basis weight.
	The print-density setting is too high.	Decrease the print-density setting. This decreases the amount of background shading.
	Very dry (low humidity) conditions can increase the amount of background shading.	Check the product environment.
	The print cartridge might be defective or low.	Replace the print cartridge.
		
Toner smears appear on the media.	The paper might not meet HP specifications.	Use paper that meets HP specifications.
	If toner smears appear on the leading edge of the paper, the media guides are dirty, or debris has accumulated in the print path.	Clean the media guides and the paper path.
	The print cartridge might be defective.	Replace the print cartridge.
	The fuser temperature might be too low.	In the printer driver, make sure the appropriate paper type is selected.
		
The toner smears easily when touched.	The product is not set to print on the type of paper on which you want to print.	In the printer driver, select the Paper/Quality tab and set Paper Type to match the type of paper on which you are printing. Print speed might be slower if you are using heavy paper.
	The paper might not meet HP specifications.	Use paper that meets HP specifications.
	The paper path might need cleaning.	Clean the paper path.
	The power source might be defective.	Plug the product directly into an AC outlet instead of into a power strip.
	The fuser temperature might be too low.	In the printer driver, make sure the appropriate paper type is selected.
		

Problem	Cause	Solution
<p>Marks repeatedly appear at even intervals on the page.</p> 	<p>The product is not set to print on the type of paper on which you want to print.</p>	<p>In the printer driver, select the Paper/Quality tab and set Paper Type to match the type of paper on which you are printing. Print speed might be slower if you are using heavy paper.</p>
	<p>Internal parts might have toner on them.</p>	<p>The problem typically corrects itself after a few more pages.</p>
	<p>The paper path might need cleaning.</p>	<p>Clean the paper path.</p>
	<p>The print cartridge might be damaged.</p>	<p>If a repetitive mark occurs at the same spot on the page, install a new HP print cartridge.</p>
<p>The printed page contains misformed characters.</p> 	<p>The paper might not meet HP specifications.</p> <p>If characters are incorrectly formed so that they produce a wavy effect, the laser scanner might need service.</p>	<p>Use a different paper, such as high-quality paper that is intended for laser printers.</p> <p>Verify that the problem also occurs on the configuration page. If so, contact HP. See www.hp.com/support/ljm1130series or www.hp.com/support/ljm1210series or the support flyer that came in the product box.</p>
<p>The printed page is curled or wavy.</p> 	<p>The product is not set to print on the type of paper on which you want to print.</p>	<p>In the printer driver, select the Paper/Quality tab and set Paper Type to match the type of paper on which you are printing. Print speed might be slower if you are using heavy paper.</p> <p>If the problem persists, select a paper type that uses a lower fuser temperature, such as transparencies or light media.</p>
	<p>The paper might have been in the input tray too long.</p>	<p>Turn over the stack of paper in the tray. Also, try rotating the paper 180° in the input tray.</p>
	<p>The paper might not meet HP specifications.</p>	<p>Use a different paper, such as high-quality paper that is intended for laser printers.</p>
	<p>Both high temperature and humidity can cause paper curl.</p>	<p>Check the product environment.</p>
	<p>The fuser temperature might be curling the paper.</p>	<p>M1130 Series select a paper type that uses a lower fuser temperature, such as transparencies or light media.</p> <p>M1210 Series At the product control panel, turn on the Less paper curl setting in the Service menu.</p>

Problem	Cause	Solution
Text or graphics are skewed on the printed page.	The paper might be loaded incorrectly or the input tray might be too full.	Verify that the paper is loaded correctly and that the paper guides are not too tight or too loose against the stack.
	The paper might not meet HP specifications.	Use a different paper, such as high-quality paper that is intended for laser printers.
The printed page contains wrinkles or creases.	The paper might be loaded incorrectly or the input tray might be too full.	Turn over the stack of paper in the input tray, or try rotating the paper 180° in the input tray.
	There might be a jam in the paper path.	Clear any jams in the product.
	The paper might not meet HP specifications.	Use a different paper, such as high-quality paper that is intended for laser printers.
	Air pockets inside envelopes can cause them to wrinkle.	Remove the envelope, flatten it, and try printing again.
Toner appears around the printed characters.	The paper might be loaded incorrectly.	Turn over the stack of paper in the tray.
	If large amounts of toner have scattered around the characters, the paper might have high resistivity.	Use a different paper, such as high-quality paper that is intended for laser printers.
An image that appears at the top of the page (in solid black) repeats farther down the page (in a gray field).	Software settings might affect image printing.	In your software program, change the tone (darkness) of the field in which the repeated image appears.
	The order of images printed might affect printing.	In your software program, rotate the whole page 180° to print the lighter image first.
	A power surge might have affected the product.	Change the order in which the images are printed. For example, have the lighter image at the top of the page, and the darker image farther down the page.
		If the defect occurs later in a print job, turn the product off for 10 minutes, and then turn on the product to restart the print job.

Copy print-quality problems

Problem	Cause	Solution
Images are missing or faded.	The print cartridge might be defective or low.	Replace the print cartridge.
	The original might be of poor quality.	If your original is too light or damaged, the copy might not be able to compensate, even if you adjust the contrast. If possible, find an original document in better condition.
	The contrast settings might be set incorrectly.	Use the control-panel to change the contrast setting.
	The original might have a colored background.	Colored backgrounds might cause images in the foreground to blend into the background, or the background might appear in a different shade. If possible, use an original document without a colored background.
Vertical white or faded stripes appear on the copy.	The paper might not meet HP specifications.	Use paper that meets HP specifications.
	The print cartridge might be defective or low.	Replace the print cartridge.
		
Unwanted lines appear on the copy.	The document feeder scanning strip might be dirty.	Clean the document feeder scanning strip.
	The photosensitive drum inside the print cartridge might have been scratched.	Replace the print cartridge.
		
Black dots or streaks appear on the copy.	Ink, glue, correction fluid, or an unwanted substance might be on the document feeder.	Clean the document feeder scanning strip.
	The power to the product might have fluctuated.	Reprint the job.
Copies are too light or dark.	The printer driver or product software settings may be incorrect.	Verify that the quality settings are correct.
		See the product software Help for more information about changing the settings.
Text is unclear.	The printer driver or product software settings may be incorrect.	Verify that the quality settings are correct.
		Verify that the EconoMode setting is off.
		See the product software Help for more information about changing the settings.

Scan-quality problems

Prevent scan-quality problems

The following are a few simple steps you can take to improve copy and scan quality.

- Use high-quality originals.
- Load the paper correctly. If the paper is loaded incorrectly, it might skew, which causes unclear images.
- Adjust the software settings according to how you plan to use the scanned page.
- If your product frequently feeds more than one page at a time, the separation pad might need to be cleaned or replaced.
- Use or make a carrier sheet to protect your originals.

Solve scan-quality problems

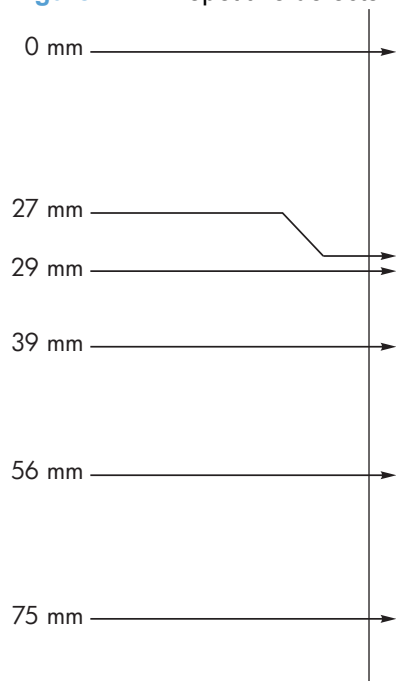
Problem	Cause	Solution
Blank pages	The original might have been loaded upside down.	In the document feeder, put the top end of the stack of originals into the document feeder, with the media stack face-down and the first page to be scanned on the bottom of the stack.
Too light or dark	The resolution and color levels may be set incorrectly.	Verify that you have the correct resolution and color settings.
Unwanted lines	The document-feeder glass might be dirty.	Clean the scanner strip.
Black dots or streaks	The power to the product might have fluctuated.	Reprint the job.
Unclear text	The resolution levels might be set incorrectly.	Verify that the resolution settings are correct.

Repetitive defects ruler

If defects repeat at regular intervals on the page, use this ruler to identify the cause of the defect. Place the top of the ruler at the first defect. The marking that is beside the next occurrence of the defect indicates which component needs to be replaced.

If the defect correlates with the print engine or the fuser, the product might require service. Contact HP Customer Care.

Figure 12-1 Repetitive defects ruler



Distance between defects	Product components that cause the defect
27 mm	Print engine
29 mm	Print engine
39 mm	Print engine
56 mm	Fuser
75 mm	Print cartridge

Optimize and improve image quality

Change print density

1. Use the printer driver to change the default settings. Follow the appropriate procedure, depending on the operating system you are using.

Windows XP, Windows Server 2003, and Windows Server 2008 (using the default Start menu view)

- a. Click **Start**, and then click **Printers and Faxes**.
- b. Right-click the driver icon, and then select **Properties**.
- c. Click the **Device Settings** tab.


Windows XP, Windows Server 2003, and Windows Server 2008 (using the Classic Start menu view)

- a. Click **Start**, click **Settings**, and then click **Printers**.
- b. Right-click the driver icon, and then select **Properties**.
- c. Click the **Device Settings** tab.


Windows Vista

- a. Click **Start**, click **Control Panel**, and then in the category for **Hardware and Sound** click **Printer**.
- b. Right-click the driver icon, and then select **Properties**.
- c. Click the **Device Settings** tab.

Mac OS X 10.4

- a. From the Apple menu , click the **System Preferences** menu and then click the **Print & Fax** icon.
- b. Click the **Printer Setup** button.

Mac OS X 10.5 and 10.6

- a. From the Apple menu , click the **System Preferences** menu and then click the **Print & Fax** icon.
- b. Select the product in the left side of the window.
- c. Click the **Options & Supplies** button.
- d. Click the **Driver** tab.

2. Adjust the **Print Density** slider to change the setting.

Manage and configure printer drivers

The product uses the paper-type setting to establish many internal settings that affect print quality. Always use the correct paper-type setting in the printer driver. Also make sure that the other settings on the **Paper/Quality** tab in the printer driver are correct.

Solve performance problems

Problem	Cause	Solution
Pages print but are totally blank.	The sealing tape might still be in the print cartridges.	Verify that the sealing tape has been completely removed from the print cartridges.
	The document might contain blank pages.	Check the document that you are printing to see if content appears on all of the pages.
	The product might be malfunctioning.	To check the product, print a Configuration page.
Pages print very slowly.	Heavier paper types can slow the print job.	Print on a different type of paper.
	Complex pages can print slowly.	Proper fusing may require a slower print speed to ensure the best print quality.
Pages did not print.	The product might not be pulling paper correctly.	Make sure paper is loaded in the tray correctly.
	The paper is jamming in the product.	Clear the jam.
	The USB cable might be defective or incorrectly connected.	<ul style="list-style-type: none">• Disconnect the USB cable at both ends and reconnect it.• Try printing a job that has printed in the past.• Try using a different USB cable.
	Other devices are running on your computer.	The product might not share a USB port. If you have an external hard drive or network switchbox that is connected to the same port as the product, the other device might be interfering. To connect and use the product, you must disconnect the other device or you must use two USB ports on the computer.

Solve connectivity problems

Solve direct-connect problems

If you have connected the product directly to a computer, check the USB cable.

- Verify that the USB cable is connected to the computer and to the product.
- Verify that the USB cable is not longer than 2 m (6.5 ft). Replace the cable if necessary.
- Verify that the USB cable is working correctly by connecting it to another product. Connect the cable to another port on the computer. Replace the cable if necessary.

Solve network problems

Check the following items to verify that the product is communicating with the network. Before beginning, print a configuration page.

Problem	Solution
Poor physical connection	<p>Verify that the product is attached to the correct network port using a cable of the correct length.</p> <p>Verify that cable connections are secure.</p> <p>Look at the network port connection on the back of the product, and verify that the amber activity light and the green link-status light are lit.</p> <p>If the problem continues, try a different cable or port on the hub.</p>
The computer is unable to communicate with the product.	<p>Use the command prompt to ping the product from your computer. For example:</p> <pre data-bbox="651 527 890 552">ping 192.168.45.39</pre> <p>Verify that the ping displays round-trip times, which indicates that it is working.</p> <p>If the ping command failed, verify that the network hubs are on, and then verify that the network settings, the product, and the computer are all configured for the same network.</p>
Incorrect link and duplex settings	<p>Hewlett-Packard recommends leaving this setting in automatic mode (the default setting).</p>
Incorrect IP address for the product on the computer	<p>Use the correct IP address. The IP address is listed on the configuration page.</p> <p>Open the printer properties and click the Ports tab. Verify that the current IP address for the product is selected.</p> <ul data-bbox="651 926 1437 1062" style="list-style-type: none"> • If you installed the product using the HP standard TCP/IP port, select the box labeled Always print to this printer, even if its IP address changes. • If you installed the product using a Microsoft standard TCP/IP port, use the hostname instead of the IP address. <p>If the IP address is correct, delete the product and then add it again.</p>
New software programs have caused compatibility problems.	<p>Verify that any new software programs are correctly installed and that they use the correct printer driver.</p>
Your computer or workstation is set up incorrectly.	<p>Check the network drivers, printer drivers, and the network redirection.</p> <p>Verify that the operating system is configured correctly.</p>
The protocol is disabled, or other network settings are incorrect.	<p>Review the configuration page to check the status of the protocol. Enable it if necessary.</p> <p>Reconfigure the network settings if necessary.</p>

Solve software problems

Solve common Windows problems

Error message:

“(Name of the program, for example, Internet Explorer) has encountered a problem and needs to close. We are sorry for the inconvenience”

Cause	Solution
	Close all software programs, restart Windows, and try again.
	If the application referenced is the printer driver, select or install a different printer driver. If the product PCL 6 printer driver is selected, switch to the PCL 5 or HP postscript level 3 emulation printer driver.
	See the Microsoft Windows documentation that came with the computer for more information about Windows error messages, or go to www.microsoft.com .

Solve common Mac problems

Table 12-3 Problems in Mac OS X

The printer driver is not listed in the Printer Setup Utility or the Print & Fax list.

Cause	Solution
The product software might not have been installed or was installed incorrectly.	Make sure that the product .GZ file is in the following hard-drive folder: <ul style="list-style-type: none">• Mac OS X v10.4: Library/Printers/PPDs/Contents/Resources/<lang>.lproj, where <lang> is the two-letter language code for the language that you are using.• Mac OS X v10.5 and v10.6: Library/Printers/PPDs/Contents/Resources If necessary, reinstall the software. See the getting started guide for instructions.
The Postscript Printer Description (PPD) file is corrupt.	Delete the .GZ file from the following hard-drive folder: <ul style="list-style-type: none">• Mac OS X v10.4: Library/Printers/PPDs/Contents/Resources/<lang>.lproj, where <lang> is the two-letter language code for the language that you are using.• Mac OS X v10.5 and v10.6: Library/Printers/PPDs/Contents/Resources Reinstall the software. See the getting started guide for instructions.

The product name does not appear in the product list in the Printer Setup Utility or Print & Fax list.

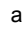

Cause	Solution
The product might not be ready.	Make sure that the cables are connected correctly, the product is on, and the Ready  light is on.

Table 12-3 Problems in Mac OS X (continued)

The product name does not appear in the product list in the Printer Setup Utility or Print & Fax list.

Cause	Solution
The wrong product name is being used.	Print a configuration page to check the product name. Verify that the name on the configuration page matches the product name in the Printer Setup Utility or the Print & Fax list.
The interface cable might be defective or of poor quality.	Replace the cable with a high-quality cable.

The printer driver does not automatically set up the selected product in the Printer Setup Utility or the Print & Fax list.

Cause	Solution
The product might not be ready.	Make sure that the cables are connected correctly, the product is on, and the Ready  light is on.
The product software might not have been installed or was installed incorrectly.	<p>Make sure that the product PPD is in the following hard-drive folder:</p> <ul style="list-style-type: none"> • Mac OS X v10.4: Library/Printers/PPDs/Contents/Resources/<lang>.lproj, where <lang> is the two-letter language code for the language that you are using. • Mac OS X v10.5 and v10.6: Library/Printers/PPDs/Contents/Resources <p>If necessary, reinstall the software. See the getting started guide for instructions.</p>
The Postscript Printer Description (PPD) file is corrupt.	<p>Delete the .GZ file from the following hard-drive folder:</p> <ul style="list-style-type: none"> • Mac OS X v10.4: Library/Printers/PPDs/Contents/Resources/<lang>.lproj, where <lang> is the two-letter language code for the language that you are using. • Mac OS X v10.5 and v10.6: Library/Printers/PPDs/Contents/Resources <p>Reinstall the software. See the getting started guide for instructions.</p>
The interface cable might be defective or of poor quality.	Replace the interface cable with a high-quality cable.

A print job was not sent to the product that you wanted.

Cause	Solution
The print queue might be stopped.	Restart the print queue. Open print monitor and select Start Jobs .
The wrong product name is being used. Another product with the same or similar name might have received your print job.	Print a configuration page to check the product name. Verify that the name on the configuration page matches the product name in the Printer Setup Utility or Print & Fax list.

Table 12-3 Problems in Mac OS X (continued)

You are unable to print from a third-party USB card.

Cause	Solution
This error occurs when the software for USB products is not installed.	When adding a third-party USB card, you might need the Apple USB Adapter Card Support software. The most current version of this software is available from the Apple Web site.

When connected with a USB cable, the product does not appear in the Printer Setup Utility or Print & Fax list after the driver is selected.

Cause	Solution
This problem is caused by either a software or a hardware component.	<p>Software troubleshooting</p> <ul style="list-style-type: none">• Check that your Mac supports USB.• Verify that your Mac operating system is Mac OS X v10.4 or later.• Ensure that your Mac has the appropriate USB software from Apple. <p>Hardware troubleshooting</p> <ul style="list-style-type: none">• Check that the product is turned on.• Verify that the USB cable is connected correctly.• Check that you are using the appropriate high-speed USB cable.• Ensure that you do not have too many USB devices drawing power from the chain. Disconnect all of the devices from the chain, and connect the cable directly to the USB port on the host computer.• Check to see if more than two non-powered USB hubs are connected in a row on the chain. Disconnect all of the devices from the chain, and then connect the cable directly to the USB port on the host computer. <p>NOTE: The iMac keyboard is a non-powered USB hub.</p>

A Supplies and accessories

- [Order parts, accessories, and supplies](#)
- [Part numbers](#)

Order parts, accessories, and supplies

Order supplies and paper	www.hp.com/go/suresupply
Order genuine HP parts or accessories	www.hp.com/buy/parts
Order through service or support providers	Contact an HP-authorized service or support provider.

Part numbers

The following list of accessories was current at the time of printing. Ordering information and availability of the accessories might change during the life of the product.

Paper-handling accessories

Item	Description	Part number
Pickup roller	Pickup roller for input tray	RL1-1443-000CN
Separation pad assembly	Separation pad for input tray	RM1-4006-000CN

Print cartridges

Item	Description	Part number
HP LaserJet print cartridge	Black print cartridge	See one the following items to determine the print cartridge part number. <ul style="list-style-type: none">• The configuration page• The supplies status page• The current print cartridge• www.hp.com/go/ljsupplies

Cables and interfaces

Item	Description	Part number
USB cable	2-meter A-to-B cable	8121-0868

B Service and support

- [Hewlett-Packard limited warranty statement](#)
- [HP's Premium Protection Warranty: LaserJet print cartridge limited warranty statement](#)
- [End User License Agreement](#)
- [Customer self-repair warranty service](#)
- [Customer support](#)
- [Repack the product](#)
- [Service information form](#)

Hewlett-Packard limited warranty statement

HP PRODUCT	DURATION OF LIMITED WARRANTY
HP LaserJet Professional M1130, M1210	One year from date of purchase

HP warrants to you, the end-user customer, that HP hardware and accessories will be free from defects in materials and workmanship after the date of purchase, for the period specified above. If HP receives notice of such defects during the warranty period, HP will, at its option, either repair or replace products which prove to be defective. Replacement products may be either new or equivalent in performance to new.

HP warrants to you that HP software will not fail to execute its programming instructions after the date of purchase, for the period specified above, due to defects in material and workmanship when properly installed and used. If HP receives notice of such defects during the warranty period, HP will replace software which does not execute its programming instructions due to such defects.

HP does not warrant that the operation of HP products will be uninterrupted or error free. If HP is unable, within a reasonable time, to repair or replace any product to a condition as warranted, you will be entitled to a refund of the purchase price upon prompt return of the product.

HP products may contain remanufactured parts equivalent to new in performance or may have been subject to incidental use.

Warranty does not apply to defects resulting from (a) improper or inadequate maintenance or calibration, (b) software, interfacing, parts or supplies not supplied by HP, (c) unauthorized modification or misuse, (d) operation outside of the published environmental specifications for the product, or (e) improper site preparation or maintenance.

TO THE EXTENT ALLOWED BY LOCAL LAW, THE ABOVE WARRANTIES ARE EXCLUSIVE AND NO OTHER WARRANTY OR CONDITION, WHETHER WRITTEN OR ORAL, IS EXPRESSED OR IMPLIED AND HP SPECIFICALLY DISCLAIMS ANY IMPLIED WARRANTIES OR CONDITIONS OF MERCHANTABILITY, SATISFACTORY QUALITY, AND FITNESS FOR A PARTICULAR PURPOSE. Some countries/regions, states or provinces do not allow limitations on the duration of an implied warranty, so the above limitation or exclusion might not apply to you. This warranty gives you specific legal rights and you might also have other rights that vary from country/region to country/region, state to state, or province to province.

HP's limited warranty is valid in any country/region or locality where HP has a support presence for this product and where HP has marketed this product. The level of warranty service you receive may vary according to local standards. HP will not alter form, fit or function of the product to make it operate in a country/region for which it was never intended to function for legal or regulatory reasons.

TO THE EXTENT ALLOWED BY LOCAL LAW, THE REMEDIES IN THIS WARRANTY STATEMENT ARE YOUR SOLE AND EXCLUSIVE REMEDIES. EXCEPT AS INDICATED ABOVE, IN NO EVENT WILL HP OR ITS SUPPLIERS BE LIABLE FOR LOSS OF DATA OR FOR DIRECT, SPECIAL, INCIDENTAL, CONSEQUENTIAL (INCLUDING LOST PROFIT OR DATA), OR OTHER DAMAGE, WHETHER BASED IN CONTRACT, TORT, OR OTHERWISE. Some countries/regions, states or provinces do not allow the exclusion or limitation of incidental or consequential damages, so the above limitation or exclusion may not apply to you.

THE WARRANTY TERMS CONTAINED IN THIS STATEMENT, EXCEPT TO THE EXTENT LAWFULLY PERMITTED, DO NOT EXCLUDE, RESTRICT OR MODIFY AND ARE IN ADDITION TO THE MANDATORY STATUTORY RIGHTS APPLICABLE TO THE SALE OF THIS PRODUCT TO YOU.

HP's Premium Protection Warranty: LaserJet print cartridge limited warranty statement

This HP product is warranted to be free from defects in materials and workmanship.

This warranty does not apply to products that (a) have been refilled, refurbished, remanufactured or tampered with in any way, (b) experience problems resulting from misuse, improper storage, or operation outside of the published environmental specifications for the printer product or (c) exhibit wear from ordinary use.

To obtain warranty service, please return the product to place of purchase (with a written description of the problem and print samples) or contact HP customer support. At HP's option, HP will either replace products that prove to be defective or refund your purchase price.

TO THE EXTENT ALLOWED BY LOCAL LAW, THE ABOVE WARRANTY IS EXCLUSIVE AND NO OTHER WARRANTY OR CONDITION, WHETHER WRITTEN OR ORAL, IS EXPRESSED OR IMPLIED AND HP SPECIFICALLY DISCLAIMS ANY IMPLIED WARRANTIES OR CONDITIONS OF MERCHANTABILITY, SATISFACTORY QUALITY, AND FITNESS FOR A PARTICULAR PURPOSE.

TO THE EXTENT ALLOWED BY LOCAL LAW, IN NO EVENT WILL HP OR ITS SUPPLIERS BE LIABLE FOR DIRECT, SPECIAL, INCIDENTAL, CONSEQUENTIAL (INCLUDING LOST PROFIT OR DATA), OR OTHER DAMAGE, WHETHER BASED IN CONTRACT, TORT, OR OTHERWISE.

THE WARRANTY TERMS CONTAINED IN THIS STATEMENT, EXCEPT TO THE EXTENT LAWFULLY PERMITTED, DO NOT EXCLUDE, RESTRICT OR MODIFY AND ARE IN ADDITION TO THE MANDATORY STATUTORY RIGHTS APPLICABLE TO THE SALE OF THIS PRODUCT TO YOU.

End User License Agreement

PLEASE READ CAREFULLY BEFORE USING THIS SOFTWARE PRODUCT: This End-User License Agreement (“EULA”) is a contract between (a) you (either an individual or the entity you represent) and (b) Hewlett-Packard Company (“HP”) that governs your use of the software product (“Software”). This EULA does not apply if there is a separate license agreement between you and HP or its suppliers for the Software, including a license agreement in online documentation. The term “Software” may include (i) associated media, (ii) a user guide and other printed materials, and (iii) “online” or electronic documentation (collectively “User Documentation”).

RIGHTS IN THE SOFTWARE ARE OFFERED ONLY ON THE CONDITION THAT YOU AGREE TO ALL TERMS AND CONDITIONS OF THIS EULA. BY INSTALLING, COPYING, DOWNLOADING, OR OTHERWISE USING THE SOFTWARE, YOU AGREE TO BE BOUND BY THIS EULA. IF YOU DO NOT ACCEPT THIS EULA, DO NOT INSTALL, DOWNLOAD, OR OTHERWISE USE THE SOFTWARE. IF YOU PURCHASED THE SOFTWARE BUT DO NOT AGREE TO THIS EULA, PLEASE RETURN THE SOFTWARE TO YOUR PLACE OF PURCHASE WITHIN FOURTEEN DAYS FOR A REFUND OF THE PURCHASE PRICE; IF THE SOFTWARE IS INSTALLED ON OR MADE AVAILABLE WITH ANOTHER HP PRODUCT, YOU MAY RETURN THE ENTIRE UNUSED PRODUCT.

1. **THIRD PARTY SOFTWARE.** The Software may include, in addition to HP proprietary software (“HP Software”), software under licenses from third parties (“Third Party Software” and “Third Party License”). Any Third Party Software is licensed to you subject to the terms and conditions of the corresponding Third Party License. Generally, the Third Party License is located in a file such as license.txt; you should contact HP support if you cannot find any Third Party License. If the Third Party Licenses include licenses that provide for the availability of source code (such as the GNU General Public License) and the corresponding source code is not included with the Software, then check the product support pages of HP’s website (hp.com) to learn how to obtain such source code.

2. **LICENSE RIGHTS.** You will have the following rights provided you comply with all terms and conditions of this EULA:

a. **Use.** HP grants you a license to Use one copy of the HP Software. “Use” means installing, copying, storing, loading, executing, displaying, or otherwise using the HP Software. You may not modify the HP Software or disable any licensing or control feature of the HP Software. If this Software is provided by HP for Use with an imaging or printing product (for example, if the Software is a printer driver, firmware, or add-on), the HP Software may only be used with such product (“HP Product”). Additional restrictions on Use may appear in the User Documentation. You may not separate component parts of the HP Software for Use. You do not have the right to distribute the HP Software.

b. **Copying.** Your right to copy means you may make archival or back-up copies of the HP Software, provided each copy contains all the original HP Software’s proprietary notices and is used only for back-up purposes.

3. **UPGRADES.** To Use HP Software provided by HP as an upgrade, update, or supplement (collectively “Upgrade”), you must first be licensed for the original HP Software identified by HP as eligible for the Upgrade. To the extent the Upgrade supersedes the original HP Software, you may no longer use such HP Software. This EULA applies to each Upgrade unless HP provides other terms with the Upgrade. In case of a conflict between this EULA and such other terms, the other terms will prevail.

4. **TRANSFER.**

a. **Third Party Transfer.** The initial end user of the HP Software may make a one-time transfer of the HP Software to another end user. Any transfer will include all component parts, media, User Documentation, this EULA, and if applicable, the Certificate of Authenticity. The transfer may not be an indirect transfer, such as a consignment. Prior to the transfer, the end user receiving the transferred

Software will agree to this EULA. Upon transfer of the HP Software, your license is automatically terminated.

b. Restrictions. You may not rent, lease or lend the HP Software or Use the HP Software for commercial timesharing or bureau use. You may not sublicense, assign or otherwise transfer the HP Software except as expressly provided in this EULA.

5. PROPRIETARY RIGHTS. All intellectual property rights in the Software and User Documentation are owned by HP or its suppliers and are protected by law, including applicable copyright, trade secret, patent, and trademark laws. You will not remove any product identification, copyright notice, or proprietary restriction from the Software.

6. LIMITATION ON REVERSE ENGINEERING. You may not reverse engineer, decompile, or disassemble the HP Software, except and only to the extent that the right to do so is allowed under applicable law.

7. CONSENT TO USE OF DATA. HP and its affiliates may collect and use technical information you provide in relation to (i) your Use of the Software or the HP Product, or (ii) the provision of support services related to the Software or the HP Product. All such information will be subject to HP's privacy policy. HP will not use such information in a form that personally identifies you except to the extent necessary to enhance your Use or provide support services.

8. LIMITATION OF LIABILITY. Notwithstanding any damages that you might incur, the entire liability of HP and its suppliers under this EULA and your exclusive remedy under this EULA will be limited to the greater of the amount actually paid by you for the Product or U.S. \$5.00. TO THE MAXIMUM EXTENT PERMITTED BY APPLICABLE LAW, IN NO EVENT WILL HP OR ITS SUPPLIERS BE LIABLE FOR ANY SPECIAL, INCIDENTAL, INDIRECT, OR CONSEQUENTIAL DAMAGES (INCLUDING DAMAGES FOR LOST PROFITS, LOST DATA, BUSINESS INTERRUPTION, PERSONAL INJURY, OR LOSS OF PRIVACY) RELATED IN ANY WAY TO THE USE OF OR INABILITY TO USE THE SOFTWARE, EVEN IF HP OR ANY SUPPLIER HAS BEEN ADVISED OF THE POSSIBILITY OF SUCH DAMAGES AND EVEN IF THE ABOVE REMEDY FAILS OF ITS ESSENTIAL PURPOSE. Some states or other jurisdictions do not allow the exclusion or limitation of incidental or consequential damages, so the above limitation or exclusion may not apply to you.

9. U.S. GOVERNMENT CUSTOMERS. If you are a U.S. Government entity, then consistent with FAR 12.211 and FAR 12.212, Commercial Computer Software, Computer Software Documentation, and Technical Data for Commercial Items are licensed under the applicable HP commercial license agreement.

10. COMPLIANCE WITH EXPORT LAWS. You will comply with all laws, rules, and regulations (i) applicable to the export or import of the Software, or (ii) restricting the Use of the Software, including any restrictions on nuclear, chemical, or biological weapons proliferation.

11. RESERVATION OF RIGHTS. HP and its suppliers reserve all rights not expressly granted to you in this EULA.

(c) 2007 Hewlett-Packard Development Company, L.P.

Rev. 11/06

Customer self-repair warranty service

HP products are designed with many Customer Self Repair (CSR) parts to minimize repair time and allow for greater flexibility in performing defective parts replacement. If during the diagnosis period, HP identifies that the repair can be accomplished by the use of a CSR part, HP will ship that part directly to you for replacement. There are two categories of CSR parts: 1) Parts for which customer self repair is mandatory. If you request HP to replace these parts, you will be charged for the travel and labor costs of this service. 2) Parts for which customer self repair is optional. These parts are also designed for Customer Self Repair. If, however, you require that HP replace them for you, this may be done at no additional charge under the type of warranty service designated for your product.

Based on availability and where geography permits, CSR parts will be shipped for next business day delivery. Same-day or four-hour delivery may be offered at an additional charge where geography permits. If assistance is required, you can call the HP Technical Support Center and a technician will help you over the phone. HP specifies in the materials shipped with a replacement CSR part whether a defective part must be returned to HP. In cases where it is required to return the defective part to HP, you must ship the defective part back to HP within a defined period of time, normally five (5) business days. The defective part must be returned with the associated documentation in the provided shipping material. Failure to return the defective part may result in HP billing you for the replacement. With a customer self repair, HP will pay all shipping and part return costs and determine the courier/carrier to be used.

Customer support

Get telephone support, free during your warranty period, for your country/region

Country/region phone numbers are on the flyer that was in the box with your product or at www.hp.com/support/.

Have the product name, serial number, date of purchase, and problem description ready.

Get 24-hour Internet support

www.hp.com/support/ljm1130series or www.hp.com/support/ljm1210series

Get support for products used with a Macintosh computer

www.hp.com/go/macosex

Download software utilities, drivers, and electronic information

www.hp.com/go/ljm1130series_software or www.hp.com/go/ljm1210series_software

Order additional HP service or maintenance agreements

www.hp.com/go/carepack

Repack the product

If HP Customer Care determines that your product needs to be returned to HP for repair, follow these steps to repack the product before shipping it.

△ **CAUTION:** Shipping damage as a result of inadequate packing is the customer's responsibility.

1. Remove and retain the print cartridge.

△ **CAUTION:** It is *extremely important* to remove the print cartridge before shipping the product. A print cartridge that remains in the product during shipping can leak and cover the product engine and other parts with toner.

To prevent damage to the print cartridge, avoid touching the roller on it, and store the print cartridge in its original packing material or so that it is not exposed to light.

2. Remove and retain the power cable, interface cable, and optional accessories, such as an EIO card.
3. If possible, include print samples and 50 to 100 sheets of paper or other print media that did not print correctly.
4. In the U.S., call HP Customer Care to request new packing material. In other areas, use the original packing material, if possible. Hewlett-Packard recommends insuring the equipment for shipment.

Service information form

WHO IS RETURNING THE EQUIPMENT? Date:

Person to contact: Phone:

Alternate contact: Phone:

Return shipping address: Special shipping instructions:

WHAT ARE YOU SENDING?

Model name: Model number: Serial number:

Please attach any relevant printouts. Do NOT ship accessories (manuals, cleaning supplies, and so on) that are not required to complete the repair.

HAVE YOU REMOVED THE PRINT CARTRIDGES?

You must remove them before shipping the printer, unless a mechanical problem prevents you from doing so.

Yes. No, I cannot remove them.

WHAT NEEDS TO BE DONE? (Attach a separate sheet if necessary.)

1. Describe the conditions of the failure. (What was the failure? What were you doing when the failure occurred? What software were you running? Is the failure repeatable?)

2. If the failure is intermittent, how much time elapses between failures?

3. If the unit connected to any of the following, give the manufacturer and model number.

Personal computer: Modem: Network:

4. Additional comments:

HOW WILL YOU PAY FOR THE REPAIR?

Under warranty Purchase/received date:

(Attach proof of purchase or receiving document with original received date.)

Maintenance contract number:

Purchase order number:

Except for contract and warranty service, a purchase order number and/or authorized signature must accompany any request for service. If standard repair prices do not apply, a minimum purchase order is required. Standard repair prices can be obtained by contacting an HP-authorized repair center.

Authorized signature: Phone:

Billing address: Special billing instructions:

C Specifications

- [Physical specifications](#)
- [Power consumption, electrical specifications, and acoustic emissions](#)
- [Environmental specifications](#)

Physical specifications

Table C-1 Physical specifications¹

Specification	M1130 Series	M1210 Series
Product weight	7.0 kg (15.4 lb)	8.3 kg (18.3 lb)
Product height	250 mm (9.8 in)	306 mm (12.0 in)
Product depth	265 mm (10.4 in)	265 mm (10.4 in)
Product width	415 mm (16.3 in)	435 mm (17.1 in)

¹ Values are based on preliminary data. See www.hp.com/support/ljm1130series or www.hp.com/support/ljm1210series.

Power consumption, electrical specifications, and acoustic emissions

See www.hp.com/go/ljm1130series_regulatory or www.hp.com/go/ljm1210series_regulatory for current information.

- △ **CAUTION:** Power requirements are based on the country/region where the product is sold. Do not convert operating voltages. This will damage the product and void the product warranty.

Environmental specifications

Table C-2 Environmental specifications

	Operating ¹	Storage ¹
Temperature	10° to 32.5°C (50° to 91°F)	0° to 35°C (32° to 95°F)
Relative Humidity	10% to 80%	10% to 80%

¹ Values are based on preliminary data. See www.hp.com/support/ljm1130series or www.hp.com/support/ljm1210series.


D Regulatory information

- [FCC regulations](#)
- [Environmental product stewardship program](#)
- [Declaration of conformity \(base model\)](#)
- [Declaration of conformity \(fax model\)](#)
- [Safety statements](#)
- [Additional statements for telecom \(fax\) products](#)

FCC regulations

This equipment has been tested and found to comply with the limits for a Class B digital device, pursuant to Part 15 of the FCC rules. These limits are designed to provide reasonable protection against harmful interference in a residential installation. This equipment generates, uses, and can radiate radio frequency energy. If this equipment is not installed and used in accordance with the instructions, it may cause harmful interference to radio communications. However, there is no guarantee that interference will not occur in a particular installation. If this equipment does cause harmful interference to radio or television reception, which can be determined by turning the equipment off and on, the user is encouraged to try to correct the interference by one or more of the following measures:

- Reorient or relocate the receiving antenna.
- Increase separation between equipment and receiver.
- Connect equipment to an outlet on a circuit different from that to which the receiver is located.
- Consult your dealer or an experienced radio/TV technician.

 **NOTE:** Any changes or modifications to the printer that are not expressly approved by HP could void the user's authority to operate this equipment.

Use of a shielded interface cable is required to comply with the Class B limits of Part 15 of FCC rules.

Environmental product stewardship program

Protecting the environment

Hewlett-Packard Company is committed to providing quality products in an environmentally sound manner. This product has been designed with several attributes to minimize impacts on our environment.

Ozone production

This product generates no appreciable ozone gas (O₃).

Power consumption

Power usage drops significantly while in Ready or Auto-Off mode, which saves natural resources and saves money without affecting the high performance of this product. Hewlett-Packard printing and imaging equipment marked with the ENERGY STAR® logo is qualified to the U.S. Environmental Protection Agency's ENERGY STAR specifications for imaging equipment. The following mark will appear on ENERGY STAR qualified imaging products:



Additional ENERGY STAR qualified imaging product model information is listed at:

www.hp.com/go/energystar

Toner consumption

EconoMode uses less toner, which might extend the life of the print cartridge.

Paper use

This product's manual duplex feature (two-sided printing) and N-up printing (multiple pages printed on one page) capability can reduce paper usage and the resulting demands on natural resources.


Plastics

Plastic parts over 25 grams are marked according to international standards that enhance the ability to identify plastics for recycling purposes at the end of the product's life.

HP LaserJet print supplies

It's easy to return and recycle your HP LaserJet print cartridges after use—free of charge—with HP Planet Partners. Multilingual program information and instructions are included in every new HP LaserJet print cartridge and supplies package. You help reduce the toll on the environment further when you return multiple cartridges together rather than separately.

HP is committed to providing inventive, high-quality products and services that are environmentally sound, from product design and manufacturing to distribution, customer use and recycling. When you participate in the HP Planet Partners program, we ensure your HP LaserJet print cartridges are recycled properly, processing them to recover plastics and metals for new products and diverting millions of tons of waste from landfills. Since this cartridge is being recycled and used in new materials, it will not be returned to you. Thank you for being environmentally responsible!

 **NOTE:** Use the return label to return original HP LaserJet print cartridges only. Please do not use this label for HP inkjet cartridges, non-HP cartridges, refilled or remanufactured cartridges or warranty returns. For information about recycling your HP inkjet cartridges please go to <http://www.hp.com/recycle>.

Return and recycling instructions

United States and Puerto Rico

The enclosed label in the HP LaserJet toner cartridge box is for the return and recycling of one or more HP LaserJet print cartridges after use. Please follow the applicable instructions below.

Multiple returns (more than one cartridge)

1. Package each HP LaserJet print cartridge in its original box and bag.
2. Tape the boxes together using strapping or packaging tape. The package can weigh up to 31 kg (70 lb).
3. Use a single pre-paid shipping label.

OR

1. Use your own suitable box, or request a free bulk collection box from www.hp.com/recycle or 1-800-340-2445 (holds up to 31 kg (70 lb) of HP LaserJet print cartridges).
2. Use a single pre-paid shipping label.

Single returns

1. Package the HP LaserJet print cartridge in its original bag and box.
2. Place the shipping label on the front of the box.

Shipping

For all HP LaserJet print cartridge recycling returns, give the package to UPS during your next delivery or pickup, or take it to an authorized UPS drop-off center. For the location of your local UPS drop-off center, call 1-800-PICKUPS or visit www.ups.com. If you are returning via USPS label, give the package to a U.S. Postal Service carrier or drop off at a U.S. Postal Service Office. For more information, or to order additional labels or boxes for bulk returns, visit www.hp.com/recycle or call 1-800-340-2445. Requested UPS pickup will be charged normal pickup rates. Information subject to change without notice.

Residents of Alaska and Hawaii

Do not use the UPS label. Call 1-800-340-2445 for information and instructions. The U.S. Postal Service provides no-cost cartridge return transportation services under an arrangement with HP for Alaska and Hawaii.

Non-U.S. returns

To participate in HP Planet Partners return and recycling program, just follow the simple directions in the recycling guide (found inside the packaging of your new product supply item) or visit www.hp.com/recycle. Select your country/region for information on how to return your HP LaserJet printing supplies.

Paper

This product is capable of using recycled papers when the paper meets the guidelines outlined in the *HP LaserJet Printer Family Print Media Guide*. This product is suitable for the use of recycled paper according to EN12281:2002.

Material restrictions (M1130 Series)

This HP product does not contain added mercury.

This HP product does not contain a battery.

Material restrictions (M1210 Series)

This HP product does not contain added mercury.

This HP product contains a battery that might require special handling at end-of-life. The batteries contained in or supplied by Hewlett-Packard for this product include the following:

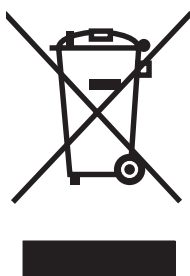
HP LaserJet Professional M1210 MFP Series	
Type	Carbon monofluoride lithium
Weight	0.8 g
Location	On formatter board
User-removable	No



廢電池請回收

For recycling information, you can go to www.hp.com/recycle, or contact your local authorities or the Electronics Industries Alliance: www.eiae.org.

Disposal of waste equipment by users in private households in the European Union



This symbol on the product or on its packaging indicates that this product must not be disposed of with your other household waste. Instead, it is your responsibility to dispose of your waste equipment by handing it over to a designated collection point for the recycling of waste electrical and electronic equipment. The separate collection and recycling of your waste equipment at the time of disposal will help to conserve natural resources and ensure that it is recycled in a manner that protects human health and the environment. For more information about where you can drop off your waste equipment for recycling, please contact your local city office, your household waste disposal service or the shop where you purchased the product.

Chemical substances

HP is committed to providing our customers with information about the chemical substances in our products as needed to comply with legal requirements such as REACH (Regulation EC No 1907/2006 of the European Parliament and the Council). A chemical information report for this product can be found at: www.hp.com/go/reach.

Material Safety Data Sheet (MSDS)

Material Safety Data Sheets (MSDS) for supplies containing chemical substances (for example, toner) can be obtained by accessing the HP Web site at www.hp.com/go/msds or www.hp.com/hpinfo/community/environment/productinfo/safety.

For more information

To obtain information about these environmental topics:

- Product environmental profile sheet for this and many related HP products
- HP's commitment to the environment
- HP's environmental management system
- HP's end-of-life product return and recycling program
- Material Safety Data Sheets

Visit www.hp.com/go/environment or www.hp.com/hpinfo/globalcitizenship/environment.

Declaration of conformity (base model)

Declaration of Conformity

according to ISO/IEC 17050-1 and EN 17050-1 DoC#: BOISB-0901-02-rel.1.0

Manufacturer's Name: Hewlett-Packard Company
Manufacturer's Address: 11311 Chinden Boulevard,
Boise, Idaho 83714-1021, USA

declares, that the product


Product Name: HP LaserJet M1132 Series; HP LaserJet M1134 Series; HP LaserJet M1136 Series
Regulatory Model Number²⁾ BOISB-0901-02
Product Options: ALL
Print Cartridges: CE284A, CE285A, CE286A

conforms to the following Product Specifications:

SAFETY: IEC 60950-1:2001 / EN60950-1: 2001 +A11
IEC 60825-1:1993 +A1 +A2 / EN 60825-1:1994 +A1 +A2 (Class 1 Laser/LED Product)
GB4943-2001

EMC: CISPR22:2005 +A1:2005 / EN55022:2006 +A1:2007 – Class B¹⁾
EN 61000-3-2:2006
EN 61000-3-3:1995 +A1 +A2
EN 55024:1998 +A1 +A2
FCC Title 47 CFR, Part 15 Class B / ICES-003, Issue 4
GB9254-1998, GB17625.1-2003

Supplementary Information:

The product herewith complies with the requirements of the EMC Directive 2004/108/EC and the Low Voltage Directive 2006/95/EC, and carries the CE-Marking  accordingly.

This Device complies with Part 15 of the FCC Rules. Operation is subject to the following two Conditions: (1) this device may not cause harmful interference, and (2) this device must accept any interference received, including interference that may cause undesired operation.

1) The product was tested in a typical configuration with Hewlett-Packard Personal Computer Systems.

2) For regulatory purposes, this product is assigned a Regulatory model number. This number should not be confused with the product name or the product number(s).

Boise, Idaho , USA

December, 2009

For regulatory topics only:

European Contact: Your Local Hewlett-Packard Sales and Service Office or Hewlett-Packard GmbH, Department HQ-TRE / Standards Europe., Herrenberger Strasse 140, , D-71034, Böblingen, (FAX: +49-7031-14-3143), <http://www.hp.com/go/certificates>

USA Contact: Product Regulations Manager, Hewlett-Packard Company., PO Box 15, Mail Stop 160, Boise, ID 83707-0015, , (Phone: 208-396-6000)

Declaration of conformity (fax model)

Declaration of Conformity

according to ISO/IEC 17050-1 and EN 17050-1 DoC#: BOISB-0901-03-rel.1.0

Manufacturer's Name: Hewlett-Packard Company
Manufacturer's Address: 11311 Chinden Boulevard,
Boise, Idaho 83714-1021, USA

declares, that the product

Product Name: HP LaserJet M1212 Series; HP LaserJet M1214 Series; HP LaserJet M1216 Series

Accessories⁴⁾: BOISB-0906-00 - (US-Fax Module LIU)
BOISB-0906-01 - (EURO-Fax Module LIU)

Regulatory Model Number²⁾ BOISB-0901-03

Product Options: ALL

Print Cartridges: CE284A, CE285A, CE286A

conforms to the following Product Specifications:

SAFETY: IEC 60950-1:2001 / EN60950-1: 2001 +A11
IEC 60825-1:1993 +A1 +A2 / EN 60825-1:1994 +A1 +A2 (Class 1 Laser/LED Product)
GB4943-2001

EMC: CISPR22:2005 +A1:2005 / EN55022:2006 +A1:2007 – Class B¹⁾
EN 61000-3-2:2006
EN 61000-3-3:1995 +A1 +A2
EN 55024:1998 +A1 +A2
FCC Title 47 CFR, Part 15 Class B / ICES-003, Issue 4
GB9254-1998, GB17625.1-2003

TELECOM: ES 203 021; FCC Title 47 CFR, Part 68³⁾

Supplementary Information:

The product herewith complies with the requirements of the EMC Directive 2004/108/EC and the Low Voltage Directive 2006/95/EC, the R&TTE Directive 1999/5/EC (Annex II), and carries the CE-Marking  accordingly.

This Device complies with Part 15 of the FCC Rules. Operation is subject to the following two Conditions: (1) this device may not cause harmful interference, and (2) this device must accept any interference received, including interference that may cause undesired operation.

- 1) The product was tested in a typical configuration with Hewlett-Packard Personal Computer Systems.
- 2) For regulatory purposes, this product is assigned a Regulatory model number. This number should not be confused with the product name or the product number(s).
- 3) Telecom approvals and standards appropriate for the target countries/regions have been applied to this product, in addition to those listed above.
- 4) This product uses an analog fax accessory module which Regulatory Model numbers are: BOISB-0906-00 (US-LIU) or BOISB-0906-01 (EURO LIU), as needed to meet technical regulatory requirements for the countries/regions this product will be sold.

Boise, Idaho , USA

December, 2009

For regulatory topics only:

European Contact: Your Local Hewlett-Packard Sales and Service Office or Hewlett-Packard GmbH, Department HQ-TRE / Standards Europe,, Herrenberger Strasse 140, , D-71034, Böblingen, (FAX: +49-7031-14-3143), <http://www.hp.com/go/certificates>

USA Contact: Product Regulations Manager, Hewlett-Packard Company,, PO Box 15, Mail Stop 160, Boise, ID 83707-0015, , (Phone: 208-396-6000)

Safety statements

Laser safety

The Center for Devices and Radiological Health (CDRH) of the U.S. Food and Drug Administration has implemented regulations for laser products manufactured since August 1, 1976. Compliance is mandatory for products marketed in the United States. The device is certified as a “Class 1” laser product under the U.S. Department of Health and Human Services (DHHS) Radiation Performance Standard according to the Radiation Control for Health and Safety Act of 1968. Since radiation emitted inside the device is completely confined within protective housings and external covers, the laser beam cannot escape during any phase of normal user operation.

⚠ WARNING! Using controls, making adjustments, or performing procedures other than those specified in this user guide may result in exposure to hazardous radiation.

Canadian DOC regulations

Complies with Canadian EMC Class B requirements.

« Conforme à la classe B des normes canadiennes de compatibilité électromagnétiques. « CEM ». »

Power cord instructions

Make sure your power source is adequate for the product voltage rating. The voltage rating is on the product label. The product uses either 110-127 Vac or 220-240 Vac and 50/60 Hz.

Connect the power cord between the product and a grounded AC outlet.

⚠ CAUTION: To prevent damage to the product, use only the power cord that is provided with the product.

EMC statement (Korea)

B급 기기 (가정용 방송통신기기)	이 기기는 가정용(B급)으로 전자파적합등록을 한 기기로서 주로 가정에서 사용하는 것을 목적으로 하며, 모든 지역에서 사용할 수 있습니다.
-----------------------	--

Laser statement for Finland

Luokan 1 laserlaite

Klass 1 Laser Apparat

HP LaserJet Professional M1132/M1134/M1136, M1212/M1214/M1216, laserkirjoitin on käyttäjän kannalta turvallinen luokan 1 laserlaite. Normaalisessa käytössä kirjoittimen suojakotelo estää lasersäteiden pääsyn laitteen ulkopuolelle. Laitteen turvallisuusluokka on määritetty standardin EN 60825-1 (1994) mukaisesti.

VAROITUS !

Laitteen käyttäminen muulla kuin käyttöohjeessa mainitulla tavalla saattaa altistaa käyttäjän turvallisuusluokan 1 ylittävälle näkymättömälle lasersäteilylle.

VARNING !

Om apparaten används på annat sätt än i bruksanvisning specificerats, kan användaren utsättas för osynlig laserstrålning, som överskrider gränsen för laserklass 1.

HUOLTO

HP LaserJet Professional M1132/M1134/M1136, M1212/M1214/M1216 - kirjoittimen sisällä ei ole käyttäjän huollettavissa olevia kohteita. Laitteen saa avata ja huoltaa ainoastaan sen huoltamiseen koulutettu henkilö. Tällaiseksi huoltotoimenpiteeksi ei katsota väriainekasetin vaihtamista, paperiradan puhdistusta tai muita käyttäjän käsikirjassa lueteltuja, käyttäjän tehtäväksi tarkoitettuja ylläpitotoimia, jotka voidaan suorittaa ilman erikoistyökaluja.

VARO !

Mikäli kirjoittimen suojakotelo avataan, olet alttiina näkymättömälle lasersäteilylle laitteen ollessa toiminnassa. Älä katso säteeseen.

VARNING !

Om laserprinterns skyddshölje öppnas då apparaten är i funktion, utsättas användaren för osynlig laserstrålning. Betrakta ej strålen. Tiedot laitteessa käytettävän laserdiodin säteilyominaisuuksista: Aallonpituus 775-795 nm Teho 5 m W Luokan 3B laser.

GS statement (Germany)

Das Gerät ist nicht für die Benutzung im unmittelbaren Gesichtsfeld am Bildschirmarbeitsplatz vorgesehen. Um störende Reflexionen am Bildschirmarbeitsplatz zu vermeiden, darf dieses Produkt nicht im unmittelbaren Gesichtsfeld platziert werden.

Substances Table (China)

有毒有害物质表

根据中国电子信息产品污染控制管理办法的要求而出台

部件名称	有毒有害物质和元素					
	铅 (Pb)	汞 (Hg)	镉 (Cd)	六价铬 (Cr(VI))	多溴联苯 (PBB)	多溴二苯醚 (PBDE)
打印引擎	X	0	X	0	0	0
复印机组件	X	0	0	0	0	0
控制面板	0	0	0	0	0	0
塑料外壳	0	0	0	0	0	0
格式化板组件	X	0	0	0	0	0
碳粉盒	X	0	0	0	0	0

3690

0：表示在此部件所用的所有同类材料中，所含的此有毒或有害物质均低于 SJ/T11363-2006 的限制要求。

X：表示在此部件所用的所有同类材料中，至少一种所含的此有毒或有害物质高于 SJ/T11363-2006 的限制要求。

注：引用的“环保使用期限”是根据在正常温度和湿度条件下操作使用产品而确定的。

Restriction on Hazardous Substances statement (Turkey)

Türkiye Cumhuriyeti: EEE Yönetmeliğine Uygundur

Additional statements for telecom (fax) products

EU Statement for Telecom Operation

This product is intended to be connected to the analog Public Switched Telecommunication Networks (PSTN) of European Economic Area (EEA) countries/regions.

It meets requirements of EU R&TTE Directive 1999/5/EC (Annex II) and carries appropriate CE conformity marking.

For more details see Declaration of Conformity issued by the manufacturer in another section of this manual.

However due to differences between individual national PSTNs the product may not guarantee unconditional assurance of successful operation on every PSTN termination point. Network compatibility depends on the correct setting being selected by the customer in preparation of its connection to the PSTN. Please follow the instructions provided in the user manual.

If you experience network compatibility issues, please contact your equipment supplier or Hewlett-Packard help desk in the country/region of operation.

Connecting to a PSTN termination point may be the subject of additional requirements set out by the local PSTN operator.

New Zealand Telecom Statements

The grant of a Telepermit for any item of terminal equipment indicates only that Telecom has accepted that the item complies with minimum conditions for connection to its network. It indicates no endorsement of the product by Telecom, nor does it provide any sort of warranty. Above all, it provides no assurance that any item will work correctly in all respects with another item of Telepermitted equipment of a different make or model, nor does it imply that any product is compatible with all of Telecom's network services.

This equipment may not provide for the effective hand-over of a call to another device connected to the same line.

This equipment shall not be set up to make automatic calls to the Telecom "111" Emergency Service.

This product has not been tested to ensure compatibility with the FaxAbility distinctive ring service for New Zealand.

Additional FCC statement for telecom products (US)

This equipment complies with Part 68 of the FCC rules and the requirements adopted by the ACTA. On the back of this equipment is a label that contains, among other information, a product identifier in the format US:AAAEQ##TXXXX. If requested, this number must be provided to the telephone company.

The REN is used to determine the quantity of devices, which may be connected to the telephone line. Excessive RENs on the telephone line may result in the devices not ringing in response to an incoming call. In most, but not all, areas, the sum of the RENs should not exceed five (5.0). To be certain of the number of devices that may be connected to the line, as determined by the total RENs, contact the telephone company to determine the maximum REN for the calling area.

This equipment uses the following USOC jacks: RJ11C.

An FCC-compliant telephone cord and modular plug is provided with this equipment. This equipment is designed to be connected to the telephone network or premises wiring using a compatible modular jack,

which is Part 68 compliant. This equipment cannot be used on telephone company-provided coin service. Connection to Party Line Service is subject to state tariffs.

If this equipment causes harm to the telephone network, the telephone company will notify you in advance that temporary discontinuance of service may be required. If advance notice is not practical, the telephone company will notify the customer as soon as possible. Also, you will be advised of your right to file a complaint with the FCC if you believe it is necessary.

The telephone company may make changes in its facilities, equipment, operations, or procedures that could affect the operation of the equipment. If this happens, the telephone company will provide advance notice in order for you to make the necessary modifications in order to maintain uninterrupted service.

If trouble is experienced with this equipment, please see the numbers in this manual for repair and (or) warranty information. If the trouble is causing harm to the telephone network, the telephone company may request you remove the equipment from the network until the problem is resolved.

The customer can do the following repairs: Replace any original equipment that came with the device. This includes the print cartridge, the supports for trays and bins, the power cord, and the telephone cord. It is recommended that the customer install an AC surge arrestor in the AC outlet to which this device is connected. This is to avoid damage to the equipment caused by local lightning strikes and other electrical surges.

Telephone Consumer Protection Act (US)

The Telephone Consumer Protection Act of 1991 makes it unlawful for any person to use a computer or other electronic device, including fax machines, to send any message unless such message clearly contains, in a margin at the top or bottom of each transmitted page or on the first page of the transmission, the date and time it is sent and an identification of the business, other entity, or individual sending the message and the telephone number of the sending machine or such business, or other entity, or individual. (The telephone number provided cannot be a 900 number or any other number for which charges exceed local or long distance transmission charges).

Industry Canada CS-03 requirements

Notice: The Industry Canada label identifies certified equipment. This certification means the equipment meets certain telecommunications network protective, operational, and safety requirements as prescribed in the appropriate Terminal Equipment Technical Requirement document(s). The Department does not guarantee the equipment will operate to the user's satisfaction. Before installing this equipment, users should ensure that it is permissible for the equipment to be connected to the facilities of the local telecommunications company. The equipment must also be installed using an acceptable method of connection. The customer should be aware that compliance with the above conditions may not prevent degradation of service in some situations. Repairs to certified equipment should be coordinated by a representative designated by the supplier. Any repairs or alterations made by the user to this equipment, or equipment malfunctions, may give the telecommunications company cause to request the user to disconnect the equipment. Users should ensure for their own protection that the electrical ground connections of the power utility, telephone lines, and internal metallic water pipe system, if present, are connected together. This precaution can be particularly important in rural areas.

△ **CAUTION:** Users should not attempt to make such connections themselves, but should contact the appropriate electric inspection authority, or electrician, as appropriate. The Ringer Equivalence Number (REN) of this device is 0.0.

Notice: The Ringer Equivalence Number (REN) assigned to each terminal device provides an indication of the maximum number of terminals allowed to be connected to a telephone interface. The termination on an interface may consist of any combination of devices subject only to the requirement that the sum

of the Ringer Equivalence Number of all the devices does not exceed five (5.0). The standard connecting arrangement code (telephone jack type) for equipment with direct connections to the telephone network is CA11A.

Index

Symbols/Numerics

2-sided printing
Windows 66

A

accessibility features 5
accessories
ordering 217, 218
part numbers 218
acoustic specifications 228
ad hoc groups, sending faxes
to 119
address, printer
Macintosh,
troubleshooting 213
answer mode, setting 109
answering machines, connecting
fax settings 110
anticounterfeit supplies 156
autoreduction settings, fax 111

B

background shading,
troubleshooting 204
bands and streaks,
troubleshooting 204
batteries included 232
bin, output
capacity 4
jams, clearing 195
locating 6
black and white scanning 92
blank pages
troubleshooting 211
blank scans, troubleshooting 208
blocking faxes 109
booklets
printing (Windows) 68
busy signals, redialing
options 106

C

cables
USB, troubleshooting 211
caller-ID boxes, connecting 98
calling cards 118
Canadian DOC regulations 236
canceling
copy jobs 76
faxes 115
print job 54
scan jobs 90
capacity
document feeder 4
output bin 4
cartridge-door release, locating 6
cartridges
non-HP 156
part numbers 218
recycling 156, 231
replacing 159
status, viewing 147
storage 156
warranty 221
cautions iii
change
pickup roller 162
print cartridge 159
separation pad 166
characters, troubleshooting 205
checklist
fax troubleshooting 126
general troubleshooting 184
cleaning
exterior 180
glass 81, 93, 180
paper path 175
pickup roller 168
product 168
separation pad 172

clearing jams
locations 193
collating copies 79
color, scanning settings 91, 92
comparison, product models 2
configuration page
printing 144
connecting to the network 36
connectivity
solving problems 211
contrast settings
copy 82
fax 107
control panel
buttons and lights 11, 12
menus 14
message types 189
messages,
troubleshooting 189
settings 22, 26
status-light patterns 186
conventions, document iii
copying
canceling 76
collation 79
contrast, adjusting 82
double-sided 84
enlarging 76
light/dark settings 82
multiple copies 74
one-touch 74
quality, adjusting 79
quality, troubleshooting 207
reducing 76
setup menu 15
counterfeit supplies 156
cover pages
printing (Mac) 28
creases, troubleshooting 206

- crooked pages 202, 206
- curled media 205
- custom-size copies 76
- custom-size paper settings
 - Mac 28
 - Windows 59
- customer support
 - online 224
 - repacking product 225
 - service information form 226

D

- dark copying 207
- darkness, contrast settings
 - copy 82
 - fax 107
- defaults, restoring 185
- defects, repeating 209
- delaying fax sending 122
- deleting faxes from memory 115
- demo page, printing 145
- dial-tone detection settings 105
- dialing
 - fax 16
 - from a telephone 122
 - manually 118
 - pauses, inserting 105
 - prefixes, inserting 105
 - redial manually 119
 - redialing automatically, settings 106
 - tone or pulse settings 106
 - troubleshooting 136
- disposal, end-of-life 232
- distinctive-ring settings 111
- document conventions iii
- document feeder
 - capacity 4, 49
 - loading 48
 - locating 6
 - page sizes supported 135
- dots per inch (dpi)
 - fax 107
 - specifications 4
- dots, troubleshooting 203
- double-sided printing
 - Macintosh 29
 - paper loading orientation 49
 - See *also* duplex printing

- dpi (dots per inch)
 - fax 107
 - faxing 16
 - scanning 91
 - specifications 4
- drivers
 - changing paper types and sizes 42
 - changing settings (Mac) 27
 - changing settings (Windows) 23
 - choosing (Windows) 210
 - Macintosh,
 - troubleshooting 213
 - presets (Mac) 28
 - quick sets (Windows) 57
 - settings 22, 26
 - settings (Mac) 28
 - settings (Windows) 55
 - supported 22

DSL

- faxing 116
- duplex printing
 - Macintosh 29
 - paper loading orientation 49
 - Windows 66
 - See *also* double-sided printing

E

- e-mail, scanning to
 - Mac 32, 88
 - resolution settings 92
- EconoMode setting 154
- electrical specifications 228
- electronic faxes
 - receiving 125
 - sending 120
- embedded Web server
 - Configuration page 151
 - HP Smart Install tab 152
 - Information tab 151
 - Networking tab 152
 - product status 151
 - Settings tab 152
 - shop for supplies 152
 - supplies status 152
 - support 152
 - using 151
- end-of-life disposal 232

- enlarging documents
 - copying 76
- envelopes
 - loading orientation 49
- environment specifications 228
- environmental features 3
- environmental stewardship program 230
- error messages
 - control panel 189
- error messages, fax 126
- error report, fax
 - printing 133
- error-correction setting, fax 134
- European Union, waste disposal 233
- EWS. See embedded Web server
- extension phones
 - receiving faxes from 99
 - sending faxes from 122

F

- factory-set defaults, restoring 185
- faded print 203
- fax
 - ad hoc groups 119
 - answer mode 17, 109
 - autoreduction 111
 - blocking 109
 - canceling 115
 - contrast setting 107
 - delaying sending 122
 - deleting from memory 115
 - detect-dial-tone settings 105
 - dial prefixes 105
 - dialing, tone or pulse 106
 - error messages 127
 - error report, printing 133
 - error-correction 134
 - extension phone receiving 99
 - factory-set defaults, restoring 185
 - forwarding 108
 - manual dialing 118
 - pauses, inserting 105
 - polling 114
 - printing 124
 - printing private faxes 124
 - private receive 113
 - receive log 149

- receiving from software 125
- receiving when you hear fax tones 124
- redial manually 119
- redial settings 106
- reports 15
- reports, printing all 132
- reprinting from memory 124
- resolution 107
- ring patterns 111
- ring type 17
- rings-to-answer 110
- security, private receive 113
- send log 149
- sending from a telephone 122
- sending from software 120
- silence-detect mode 112
- stamp-received 113
- troubleshooting receiving 138
- troubleshooting sending 135
- using DSL, PBX, or ISDN 116
- using VoIP 116
- V.34 setting 135
- volume settings 112
- fax date, setup
 - use control panel 100
 - use HP Fax Setup Wizard 102
- fax header, setup
 - use control panel 100
 - use HP Fax Setup Wizard 102
- fax ports, locating 9
- fax reports, printing 15
- Fax tab
 - HP Toolbox 147
- fax time, setup
 - use control panel 100
 - use HP Fax Setup Wizard 102
- fax troubleshooting checklist 126
- faxing
 - from a computer (Mac) 31, 120
 - from a computer (Windows) 120
- features
 - product 4
- feeding problems, solving 202

- file, scanning to
 - Mac 32, 88
- Finnish laser safety statement 237
- first page
 - use different paper 28
- Fit to Page setting, fax 111
- forms
 - printing (Windows) 60
- forwarding faxes 108
- fraud hotline 156
- G**
 - glass, cleaning 81, 93, 180
 - gray background, troubleshooting 204
 - grayscale printing, Windows 56
 - grayscale scanning 92
- H**
 - help
 - printing options (Windows) 55
 - HP Customer Care 224
 - HP Embedded Web Server 24
 - HP fraud hotline 156
 - HP LaserJet Scan (Windows) 88
 - HP Smart Install tab (embedded Web server) 152
 - HP Toolbox
 - about 146
 - Fax tab 147
 - Status tab 147
 - humidity specifications 228
- I**
 - identification cards
 - copying 75
 - image quality
 - copy, troubleshooting 207
 - scans, troubleshooting 208
 - Information tab (embedded Web server) 151
 - input tray
 - capacity 49
 - loading 45
 - locating 6
 - interface ports
 - locating 8, 9
 - types included 4
 - international dialing 118

- IP address
 - Macintosh, troubleshooting 213
 - manual configuration 37
- ISDN
 - faxing 116

- J**
 - jams
 - common causes of 192
 - document feeder, clearing 194
 - locations 193
 - output-bin, clearing 195
 - tray, clearing 197

- K**
 - Korean EMC statement 236

- L**
 - labels
 - printing (Windows) 61
 - landscape orientation
 - changing (Windows) 71
 - laser safety statements 236, 237
 - LaserJet Scan (Windows) 88
 - letterhead
 - printing (Windows) 60
 - license, software 222
 - light copying 207
 - light patterns
 - control panel 186
 - light print, troubleshooting 203
 - lightness
 - copy contrast 82
 - faded print, troubleshooting 203
 - fax contrast 107
 - lines, troubleshooting
 - copies 207
 - printed pages 204
 - scans 208
 - link speed settings 37
 - loading media
 - document feeder 48
 - input tray 45
 - lock
 - product 153
 - logs, fax
 - error 133
 - printing all 132

loose toner, troubleshooting 204

M

Mac

- changing paper types and sizes 42
- driver settings 27, 28
- faxing 31
- faxing from 120
- problems, troubleshooting 213
- removing software 26
- resize documents 28
- scanning from TWAIN-compliant software 89
- scanning page-by-page 32, 88
- scanning to e-mail 32, 88
- scanning to file 32, 88

Mac driver settings

- custom-size paper 28

Macintosh

- drivers, troubleshooting 213
- support 224
- supported operating systems 26
- USB card, troubleshooting 215

managing network 37

manual dialing 118

manual redial 119

material restrictions 232

Material Safety Data Sheet (MSDS) 233

media

- curled, troubleshooting 205
- custom-size, Mac settings 28
- default size for tray 50
- document feeder, sizes supported 135
- fax autoreduction settings 111
- first page 28
- pages per sheet 29
- supported sizes 43
- wrinkled 206

memory

- deleting faxes 115
- reprinting faxes 124
- specifications 4

menu

- Copy setup 15
- Fax functions 14
- Fax Job status 14
- Fax setup 16
- Phone Book 14
- Reports 15
- Service 19
- System setup 18

menu map

- printing 145

mercury-free product 232

messages

- control panel 189

Microsoft Word, faxing from 121

model

- comparison 2
- number, locating 10

modems, connecting 98

multiple pages per sheet printing (Windows) 70

N

n-up printing

- selecting (Windows) 70

network

- IP address configuration 37
- link speed settings 37
- operating systems supported 34
- password, changing 37
- password, setting 37
- settings, changing 37
- settings, viewing 37

network connections 36

network port

- locating 9

Networking tab (embedded Web server) 152

non-HP supplies 156

notes iii

number of copies, changing 74

number of print copies changing (Windows) 56

O

OCR software 89

online support 224

opening printer drivers (Windows) 55

operating environment

- specifications 228

operating systems supported 22, 26

operating systems, networks 34

optical character recognition software 89

ordering

- part numbers for 218

- supplies and accessories 218

ordering supplies

- Web sites 217

orientation

- changing (Windows) 71

- paper, while loading 49

output bin

- capacity 4, 49

- locating 6

output quality

- copy, troubleshooting 207

- scans, troubleshooting 208

outside lines

- dial prefixes 105

- pauses, inserting 105

P

packaging product 225

page orientation

- changing (Windows) 71

page sizes

- scaling documents to fit (Windows) 64

page-by-page scanning (Mac) 32, 88

pages

- blank 211

- not printing 211

- printing slowly 211

- skewed 206

pages per minute 4

pages per sheet

- selecting (Windows) 70

pages, skewed 202

paper

- curled, troubleshooting 205

- custom-size, Mac settings 28

- document feeder, sizes supported 135

- fax autoreduction settings 111

- first page 28

- loading orientation 49
 - pages per sheet 29
 - printing on preprinted letterhead
 - or forms (Windows) 60
 - supported sizes 43
 - supported types 44
 - wrinkled 206
 - paper handling
 - problem-solving 202
 - paper input trays
 - feeding problems, solving 202
 - paper jams. *See* jams
 - paper path, cleaning 175
 - paper size
 - changing 42
 - changing (Windows) 59
 - custom (Windows) 59
 - paper type
 - changing (Windows) 59
 - paper types
 - changing 42
 - paper, covers
 - printing (Windows) 63
 - paper, ordering 218
 - paper, special
 - printing (Windows) 61
 - part numbers
 - print cartridges 218
 - pauses, inserting 105
 - PBX
 - faxing 116
 - phone book, fax
 - deleting all entries 104
 - HP Toolbox 147
 - importing 103
 - phones
 - receiving faxes from 99, 124
 - phones, connecting extra 99
 - phones, downstream
 - sending faxes from 122
 - physical specifications 228
 - pickup roller
 - change 162
 - clean 168
 - pixels per inch (ppi), scanning
 - resolution 91
 - polling faxes 114
 - portrait orientation
 - changing (Windows) 71
 - ports
 - locating 8, 9
 - troubleshooting
 - Macintosh 215
 - types included 4
 - power
 - consumption 228
 - problem-solving 184
 - ppi (pixels per inch), scanning
 - resolution 91
 - prefixes, dial 105
 - preprinted paper
 - printing (Windows) 60
 - presets (Mac) 28
 - print cartridges
 - door release, locating 6
 - non-HP 156
 - part numbers 218
 - recycling 156, 231
 - redistributing toner 157
 - status, viewing 147
 - storage 156
 - warranty 221
 - print density 210
 - print job
 - canceling 54
 - print media
 - supported 43
 - print-cartridges
 - replacing 159
 - printer drivers
 - supported 22
 - printer drivers (Mac)
 - changing settings 27
 - settings 28
 - printer drivers (Windows)
 - changing settings 23
 - choosing 210
 - settings 55
 - printing
 - configuration page 144
 - demo page 145
 - Macintosh 28
 - menu map 145
 - settings (Mac) 28
 - settings (Windows) 55
 - supplies status page 144
 - troubleshooting 211
 - priority, settings 22, 26
 - private receive 113
 - problem-solving
 - clear jams 192
 - connectivity 211
 - control-panel messages 189
 - image quality 203
 - Mac issues 213
 - paper handling 202
 - performance 211
 - status-light patterns 186
 - Windows issues 213
 - See also* solving
 - product
 - cleaning 168
 - model comparison 2
 - serial number, locating 10
 - product registration 150
 - protocol settings, fax 135
 - pulse-dialing 106
- Q**
- quality
 - copy settings 79
 - copy, troubleshooting 207
 - print settings (Macintosh) 28
 - scans, troubleshooting 208
 - quick sets 57
- R**
- Readiris OCR software 89
 - receiving faxes
 - answer mode, setting 109
 - autoreduction settings 111
 - blocking 109
 - error report, printing 133
 - from extension phone 99
 - from software 125
 - log, HP Toolbox 149
 - polling 114
 - reprinting 124
 - ring patterns, settings 111
 - rings-to-answer settings 110
 - silence-detect mode 112
 - stamp-received setting 113
 - troubleshooting 138
 - when you hear fax tones 124
 - recycling
 - HP printing supplies returns and environmental program 231
 - recycling supplies 156

- redial
 - manually 119
 - redialing
 - automatically, settings 106
 - redistributing toner 157
 - reducing documents
 - copying 76
 - registration, product 150
 - removing Mac software 26
 - repacking product 225
 - repeating defects,
 - troubleshooting 209
 - repetitive defects,
 - troubleshooting 206
 - reports
 - configuration page 16, 144
 - demo page 15, 145
 - fax 15
 - menu map 16, 145
 - supplies status page 16, 144
 - reports, fax
 - error 133
 - printing all 132
 - reprinting faxes 124
 - resize documents
 - Mac 28
 - Windows 64
 - resizing documents
 - copying 76
 - resolution
 - changing (Windows) 59
 - fax 107
 - scanning 91
 - specifications 4
 - restoring factory-set defaults 185
 - ring patterns 111
 - ring tones
 - distinctive 111
 - rings-to-answer setting 110
 - ruler, repetitive defect 209
- S**
- safety statements 236, 237
 - scale documents
 - Mac 28
 - Windows 64
 - scaling documents
 - copying 76
 - scanner
 - glass cleaning 81, 93, 180
 - scanning
 - black and white 92
 - blank pages,
 - troubleshooting 208
 - canceling 90
 - color 91
 - file formats 91
 - from HP LaserJet Scan (Windows) 88
 - from Mac software 32
 - grayscale 92
 - methods 88
 - OCR software 89
 - page-by-page (Mac) 32, 88
 - quality, troubleshooting 208
 - resolution 91
 - to e-mail (Mac) 32, 88
 - to file (Mac) 32, 88
 - TWAIN-compliant software 89
 - WIA-compliant software 89
 - scatter, troubleshooting 206
 - sending faxes
 - ad hoc groups 119
 - canceling 115
 - delaying 122
 - error report, printing 133
 - forwarding 108
 - from downstream
 - telephone 122
 - from software 120
 - log, HP Toolbox 149
 - manual dialing 118
 - troubleshooting 135
 - separation pad
 - change 166
 - clean 172
 - serial number, locating 10
 - service
 - information form 226
 - repacking product 225
 - Service menu 19
 - settings
 - driver presets (Mac) 28
 - drivers 23
 - drivers (Mac) 27
 - factory-set defaults,
 - restoring 185
 - priority 22, 26
 - Settings tab (embedded Web server) 152
 - shipping product 225
 - silence-detect mode 112
 - size specifications, product 228
 - size, copy
 - reducing or enlarging 76
 - sizes, media
 - Fit to Page setting, faxing 111
 - skewed pages 202, 206
 - slow speed, troubleshooting
 - faxing 137, 140
 - small documents
 - copying 75
 - smeared toner,
 - troubleshooting 204
 - software
 - embedded Web server 24
 - Readiris OCR 89
 - receiving faxes 125
 - scanning from TWAIN or WIA 89
 - sending faxes 120
 - settings 22, 26
 - software license
 - agreement 222
 - supported operating systems 22, 26
 - uninstalling for Windows 23
 - uninstalling Mac 26
 - Windows 24
 - Windows components 21
 - solving
 - direct-connect problems 211
 - feeding problems 202
 - network problems 211
 - skewed pages 202
 - See *also* problem-solving
 - special media
 - guidelines 40
 - special paper
 - guidelines 40
 - printing (Windows) 61
 - special paper for covers
 - printing (Windows) 63
 - specifications
 - electrical and acoustic 228
 - environment 228
 - physical 228
 - product features 4
 - specks, troubleshooting 203

- speed
 - fax, troubleshooting 137, 140
 - print specifications 4
- spots, troubleshooting 203
- status
 - fax job 14
 - viewing 147
- status-light patterns 186
- storing
 - print cartridges 156
 - product 228
- streaks, troubleshooting 204
- supplies
 - counterfeit 156
 - non-HP 156
 - ordering 150, 217, 218
 - part numbers 218
 - recycling 156, 231
 - status, viewing 147
- supplies status page
 - printing 144
- support
 - online 150, 224
 - repacking product 225
 - service information form 226
- supported media 43
- System setup menu 18
- T**
- TCP/IP
 - operating systems supported 34
- technical support
 - online 224
 - repacking product 225
 - service information form 226
- telephones
 - receiving faxes from 99, 124
- telephones, connecting extra 99
- telephones, downstream
 - sending faxes from 122
- temperature specifications 228
- text, troubleshooting 205
- tips iii
- tone-dialing 106
- toner
 - loose, troubleshooting 204
 - redistributing 157
 - scatter, troubleshooting 206
 - smear, troubleshooting 204
 - specks, troubleshooting 203
- toner cartridges. *See* print cartridges
- transparencies
 - printing (Windows) 61
- tray
 - capacity 4
 - jams, clearing 197
- trays
 - default media size 50
 - double-sided printing 29
 - locating 6
 - paper orientation 49
- troubleshooting
 - blank pages 211
 - blank scans 208
 - control panel messages 189
 - copy quality 207
 - curled media 205
 - dialing 136
 - direct-connect problems 211
 - faded print 203
 - fax error-correction setting 134
 - faxes 126
 - lines, copies 207
 - lines, printed pages 204
 - lines, scans 208
 - loose toner 204
 - Mac problems 213
 - network problems 211
 - pages not printing 211
 - pages printing slowly 211
 - pages too dark 207
 - pages too light 207
 - receiving faxes 138
 - repeating defects 209
 - repetitive defects 206
 - scan quality 208
 - sending faxes 135
 - skewed pages 206
 - speed, faxing 137, 140
 - text 205
 - toner scatter 206
 - toner smear 204
 - toner specks 203
 - USB cables 211
 - wrinkles 206
- See also* solving; problem-solving
- troubleshooting checklist 184
- TWAIN-compliant software, scanning from 89
- two-sided printing
 - Windows 66
- U**
- unblocking fax numbers 109
- uninstalling Mac software 26
- uninstalling Windows software 23
- USB cable, part number 218
- USB port
 - locating 8, 9
 - troubleshooting 211
 - troubleshooting Macintosh 215
 - type included 4
- V**
- V.34 setting 135
- vertical lines, troubleshooting 204
- vertical white or faded stripes 207
- VoIP
 - faxing 116
- volume
 - settings 19
- volume, adjusting 112
- W**
- warnings iii
- warranty
 - customer self repair 224
 - license 222
 - print cartridges 221
 - product 220
- watermarks
 - printing (Windows) 66
- wavy paper, troubleshooting 205
- Web sites
 - customer support 224
 - fraud reports 156
 - Macintosh customer support 224
 - Material Safety Data Sheet (MSDS) 233
 - ordering supplies 217

- white or faded stripes,
 - troubleshooting 207
- WIA-compliant software, scanning
 - from 89
- Windows
 - changing paper types and
 - sizes 42
 - driver settings 23
 - faxing from 120
 - problem-solving issues 213
 - scanning from TWAIN or WIA
 - software 89
 - software components 21, 24
 - software for 146
 - supported operating
 - systems 22
- Word, faxing from 121
- wrinkles, troubleshooting 206



CE481-90904

