

HP Officejet Pro L7500/L7600/7700

Getting Started Guide

Guide de Mise en Marche

Guía de instalación inicial

Guia de Pimeiros Passos



Copyright Information

© 2007 Copyright Hewlett-Packard Development Company, L.P.

Edition 1, 2/2007

Reproduction, adaptation or translation without prior written permission is prohibited, except as allowed under the copyright laws.

The information contained herein is subject to change without notice.

The only warranties for HP products and services are set forth in the express warranty statements accompanying such products and services. Nothing herein should be construed as constituting an additional warranty. HP shall not be liable for technical or editorial errors or omissions contained herein.

Trademark credits

Microsoft® and Windows® are U.S. registered trademarks of Microsoft Corporation.

Informations sur le copyright

© 2007 Copyright Hewlett-Packard Development Company, L.P.

Édition 1, 2/2007

Toute reproduction, adaptation ou traduction sans autorisation écrite préalable est interdite, à l'exception de ce qui est autorisé en vertu des lois sur le copyright.

Les informations contenues dans ce document sont sujettes à des modifications sans préavis.

Les seules garanties couvrant les produits et les services HP sont celles stipulées de façon explicite dans les déclarations de garantie accompagnant ces produits et services. Rien dans le présent document ne peut être considéré comme constituant une garantie supplémentaire. HP n'est en aucun cas responsable des éventuelles omissions ou erreurs d'ordre technique ou éditorial contenues dans le présent document.

Crédits

Microsoft® et Windows® sont des marques commerciales de Microsoft Corporation aux États-Unis.

Safety Information



Always follow basic safety precautions when using this product to reduce risk of injury from fire or electric shock.

1. Read and understand all instructions in the documentation that comes with the device.
2. Use only a grounded electrical outlet when connecting this product to a power source. If you do not know whether the outlet is grounded, check with a qualified electrician.
3. When connecting the device to the electrical outlet, use only the power cord provided with the device.
4. If your device supports fax, use the phone cable included with the device.
5. Observe all warnings and instructions marked on the device.
6. Unplug this device from wall outlets before cleaning.
7. Do not install or use this device near water, or when you are wet.
8. Install the product securely on a stable surface.
9. Install the device in a protected location where no one can step on or trip over the line cord, and the line cord cannot be damaged.
10. If the device does not operate normally, see "Maintaining and troubleshooting" in the onscreen user guide on the Starter CD.
11. There are no user-serviceable parts inside. Refer servicing to qualified service personnel.

Consignes de sécurité



Respectez toujours les mesures de sécurité élémentaires lorsque vous utilisez ce produit afin de réduire les risques de blessures dues au feu ou à un choc électrique.

1. Lisez attentivement toutes les instructions contenues dans la documentation livrée avec l'appareil.
2. Utilisez toujours une prise de courant mise à la terre lors du branchement de ce produit à une source d'alimentation. Si vous ne savez pas si une prise de courant est mise à la terre, consultez un électricien qualifié.
3. Lorsque vous branchez l'appareil sur la prise électrique, utilisez uniquement le cordon d'alimentation fourni.
4. Si votre appareil dispose d'une fonction télécopie, utilisez le cordon téléphonique fourni.
5. Respectez toutes les instructions et tous les avertissements indiqués sur l'appareil.
6. Débranchez cet appareil des prises murales avant de procéder à son nettoyage.
7. N'installez jamais cet appareil près d'une source d'eau, ni si vous êtes mouillé.
8. Installez l'appareil en toute sécurité sur une surface stable.
9. Installez l'appareil en un lieu protégé où personne ne puisse marcher sur le cordon ou trébucher sur celui-ci, et où le cordon ne puisse pas être endommagé.
10. Si l'appareil ne fonctionne pas normalement, reportez-vous à la section « Entretien et dépannage » du guide de l'utilisateur sur le CD de démarrage.
11. L'appareil ne contient aucune pièce dont l'entretien doit être réalisé par l'utilisateur. Confiez l'entretien à du personnel qualifié.

Información de seguridad



Tome las precauciones básicas de seguridad siempre que vaya a usar este producto para reducir el riesgo de daños por fuego o descarga eléctrica.

1. Lea y comprenda todas las instrucciones de la documentación que viene con el dispositivo.
2. Al conectar este producto a una fuente de poder, utilice solamente una toma de corriente con conexión a tierra. Si no sabe si la toma tiene conexión a tierra, verifíquelo con un electricista calificado.
3. Al conectar el dispositivo a la toma de corriente, utilice sólo el cable de alimentación proporcionado con el dispositivo.
4. Si el dispositivo admite el fax, utilice el cable telefónico que incluye el dispositivo.
5. Tenga presente todos los avisos y las instrucciones indicadas en el dispositivo.
6. Antes de proceder a su limpieza, desenchufe este dispositivo de la toma de corriente.
7. No instale ni utilice este dispositivo cerca del agua o cuando esté mojado.
8. Instale el dispositivo de manera segura sobre una superficie estable.
9. Instale el dispositivo en un lugar protegido donde nadie pueda pisar el cable de alimentación eléctrica ni tropezar con él y donde dicho cable no sufra daños.
10. En caso de que el dispositivo no funcione con normalidad, consulte "Mantenimiento y solución de problemas" en la guía del usuario en pantalla del Starter CD.
11. Dentro del producto no hay piezas que el usuario pueda reparar. Confíe las tareas de servicio a personal de servicio calificado.

Informações de segurança



Sempre obedeça às precauções básicas de segurança ao usar este produto para diminuir o risco de queimaduras ou choques elétricos.

1. Leia e certifique-se de que entende todas as instruções na documentação que acompanha o dispositivo.
2. Utilize somente uma tomada elétrica aterrada ao conectar este produto a uma fonte de energia. Se você não souber se a tomada está aterrada, peça ajuda a um electricista.
3. Ao conectar o dispositivo à tomada elétrica, use apenas o cabo de alimentação fornecido com o dispositivo.
4. Se seu dispositivo suportar fax, use o cabo telefônico incluído com o dispositivo.
5. Obedeça a todos os avisos e instruções do dispositivo.
6. Desconecte este dispositivo da tomada da parede antes de limpá-lo.
7. Não instale ou utilize este dispositivo perto de substâncias líquidas ou quando estiver com as mãos molhadas.
8. Instale o produto com segurança em uma superfície estável.
9. Instale o dispositivo em um local protegido onde ninguém possa pisar ou tropeçar no cabo de alimentação e onde esse cabo não possa ser danificado.
10. Se o dispositivo não funcionar corretamente, consulte "Manutenção e solução de problemas" no guia do usuário exibido na tela do Starter CD.
11. O produto não contém peças que possam ser reaproveitadas pelo usuário. Em caso de problemas com a impressora, entre em contato com o pessoal qualificado para assistência e manutenção da impressora.

Contents

1 Set up the device	
Before you begin	2
Set up the device	2
Complete the installation	4
Finding more information.	4
2 Identify the device parts	
Front view	5
Back view	6
Control panel.	7
3 Set up the fax (optional)	
Parallel- vs. serial-type phone systems	9
Dedicated phone line	10
Shared phone line	10
Managing and configuring fax settings	15
Set up speed-dial entries	15
Test fax setup	15
4 Set up Direct Digital Filing for scanning (optional)	
Required information.	16
Step 1: Create and share a folder on the network.	17
Step 2: Set up a shortcut to the folder on the network.	17
Step 3: Test and use Direct Digital Filing	18
5 Set up the device for wireless communication (optional)	
Required information.	19
Understanding 802.11 wireless network settings	19
Set up the device for wireless communication using the control panel	20
Set up the device for wireless communication using software	20
6 Troubleshooting	
Solving installation problems	22
Solving network problems (some models only)	23
Solving wireless problems (some models only)	23
Solving Direct Digital Filing problems (optional)	24
Solving fax problems (optional)	26
Troubleshooting and configuration tools	28

Hewlett-Packard limited warranty statement

1 Set up the device

This section summarizes the setup process for the device.

Before you begin

Prepare the location

Make sure the location where you will place the device meets the following requirements.

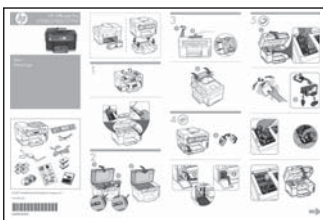
- The surface must be sturdy and level.
- Make sure that you leave enough room so that you can gain access to the back of the device and open the flatbed scanner lid.
- Do not place the device in direct sunlight or near chemicals. Make sure that the environment does not experience abrupt changes in temperature or humidity.

Temperature	15° to 35° C (59° to 95° F)
-------------	-----------------------------

Relative humidity	10% to 80%
-------------------	------------

Set up the device

This section summarizes the steps you follow to set up the device. For more information, see the setup poster that came with the device.



NOTE: Check the package contents and install optional accessories.

1. Remove the tape and packing materials.

NOTE: Be sure to remove the cardboard packing material from the printhead area.

2. Install the control-panel faceplate.
3. Install the document feeder tray.
4. Install the ink cartridges.

NOTE: All four ink cartridges must be correctly installed for the device to work. Ink from the cartridges is used in the printing process in a number of different ways, including in the initialization process, which prepares the device and cartridges for printing, and in printhead servicing, which keeps print nozzles clear and ink flowing smoothly. In addition, some residual ink is left in the cartridge after it is used. For more information see www.hp.com/go/inkusage.

5. Install the printheads.

CAUTION: Press down firmly on the printheads to ensure proper contact before closing the printhead latch.

6. Connect the power cord and adapter and turn on the device.

NOTE: Set the language and the country/region (if needed), as well as the date and time, on the display.

7. When prompted, load paper, and then press the OK button.
 - a. Lift the output tray.
 - b. Insert up to 250 sheets of paper into Tray 1, print-side down, along the right hand side of the tray. Make sure the stack of paper aligns with the right and back edges of the tray and does not exceed the line marking in the tray.

NOTE: Tray 2 can be loaded only with plain paper.

- c. Slide the media guides in the tray to the size that you are loading.
- d. Lower the output tray and pull out the extension.

To ensure the best possible print quality, the device initializes and aligns the printheads. This process takes approximately 12 minutes.

8. Install software and connect the device.

You can connect the device using one of the following types of connections:

- USB
- Ethernet network (some models only).
- Wireless (802.11) network (some models only).
- Fax (some models only).

For more information about device software and connectivity, see the onscreen user guide on the Starter CD.



USB

- a. Insert the Starter CD, click **Install** (Windows) or **Install Software** (Mac OS), and then follow the onscreen instructions to complete the software installation.

NOTE: If the CD menu does not start automatically, double-click the setup icon on the Starter CD.

- b. Connect the USB cable to the computer, when prompted.



Ethernet network

- a. Remove the protective cover from the device's network connector.
- b. Connect the network cable to the connector and to an available port on the network hub, switch, or router. If the connector's Link light does not turn on, try a different port.

CAUTION: Do not plug the network cable into a port labeled WAN, Uplink, or Internet in the hub, switch, or router.

- c. Insert the Starter CD, click **Install** (Windows) or **Install Software** (Mac OS), and then follow the onscreen instructions to complete the software installation.

If the installation program displays more than one instance of the device, print a Network configuration page to select the right device.

NOTE: If the CD menu does not start automatically, double-click the setup icon on the Starter CD.

- d. Print the Network configuration page. This page contains information needed for setup. On the control panel, press the **Setup** button, and then complete one of the following:
 - If your device has a two-line display, select **Network Setup**, select **Print Network Settings**, and then press **OK**.
 - If your device has a color display, select **Network**, select **View Network Settings**, select **Print Network Configuration Page**, and then press **OK**.



Wireless 802.11 network

For information about wireless communication and setup instructions, see "Set up the device for wireless communication (optional)" on page 19.



Fax

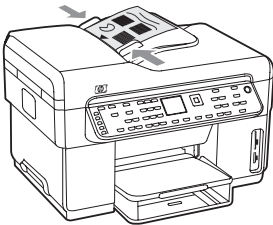
If you install software using the installation program on the Starter CD, you can configure fax settings after the device software is installed using the Fax Setup Wizard (Windows) or HP Device Manager (Mac OS). For more information about setting up the fax, see "Set up the fax (optional)" on page 9.

9. Set up the Direct Digital Filing feature (optional).
For setup instructions, see "Set up Direct Digital Filing for scanning (optional)" on page 16.

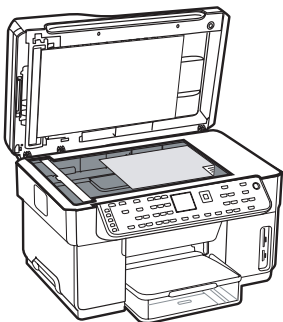
Complete the installation

Verify that the device is set up correctly

1. Print a document from an application that you use frequently.
2. Place the document in the document feeder tray with the print-side facing up and the first page on top.
3. Adjust the width adjusters to the size of the document.



4. Press **START COPY Black** or **START COPY Color**.
The device makes a copy of the document. If you encounter problems, see "Solving installation problems" on page 22.
5. Remove the document from the ADF output tray.
6. Open the flatbed scanner lid.
7. Place the first page of the document print-side down on the scanner glass with the top-left corner of the document located in the lower-right corner of the glass.



8. Close the flatbed scanner.
9. Press **START COPY Black** or **START COPY Color**.
The device makes a copy of the document. If you encounter problems, see "Solving installation problems" on page 22.

Verify that the device software is installed correctly

To verify that the device software has been installed correctly, start the software and complete basic tasks (such as printing a document or sending a scan to your computer).

To open the HP Photosmart software (Windows)

1. On the Windows desktop, double-click the HP Photosmart software icon.
2. If you have more than one HP device installed, select the appropriate tab for your device.

To open the HP Photosmart Studio software (Mac OS)

1. Click the HP Photosmart Studio icon in the Dock.
2. Click **Device**, and then choose a device.

For more information about using the device software, see the online help for the software.

Register the device

If you have not already done so, go to www.register.hp.com and register the device.

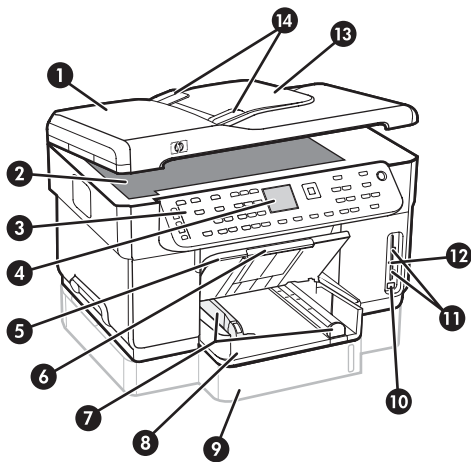
Finding more information

For information about using the device and troubleshooting, see the following resources:

- Onscreen user guide and readme file on the Starter CD or at www.hp.com/support
- HP Instant Support and embedded Web server (see the onscreen user guide)
- Product support site at www.hp.com/support

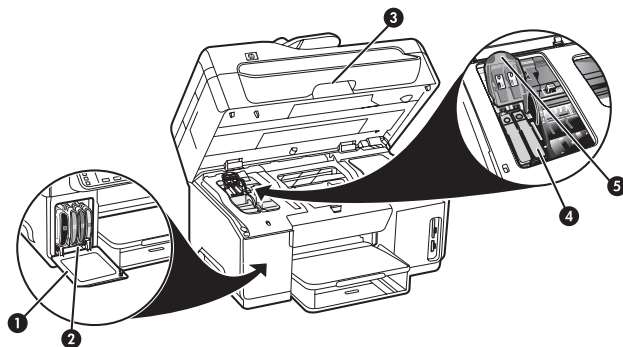
2 Identify the device parts

Front view



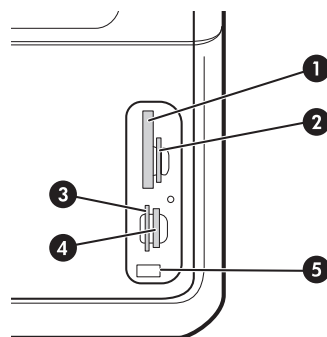
- 1 Automatic document feeder (ADF)
- 2 Scanner glass
- 3 Control panel
- 4 Display
- 5 Output tray
- 6 Output tray extension
- 7 Length/width guides
- 8 Tray 1
- 9 Tray 2 (available with some models)
- 10 Front universal serial bus (USB) port
- 11 Memory card slots
- 12 Memory device light
- 13 Document feeder tray
- 14 Width guides

Printing supplies area



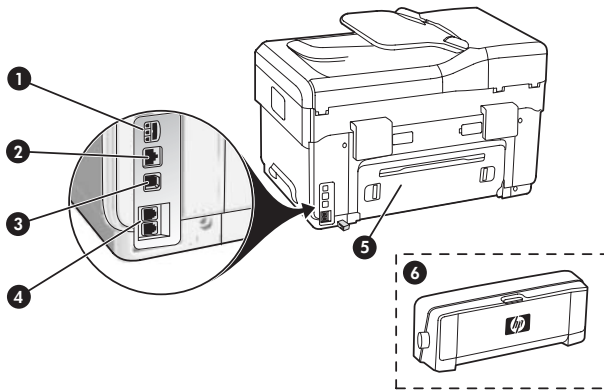
- 1 Ink cartridge door
- 2 Ink cartridges
- 3 Print-carriage access door
- 4 Printheads
- 5 Printhead latch

Memory card slots



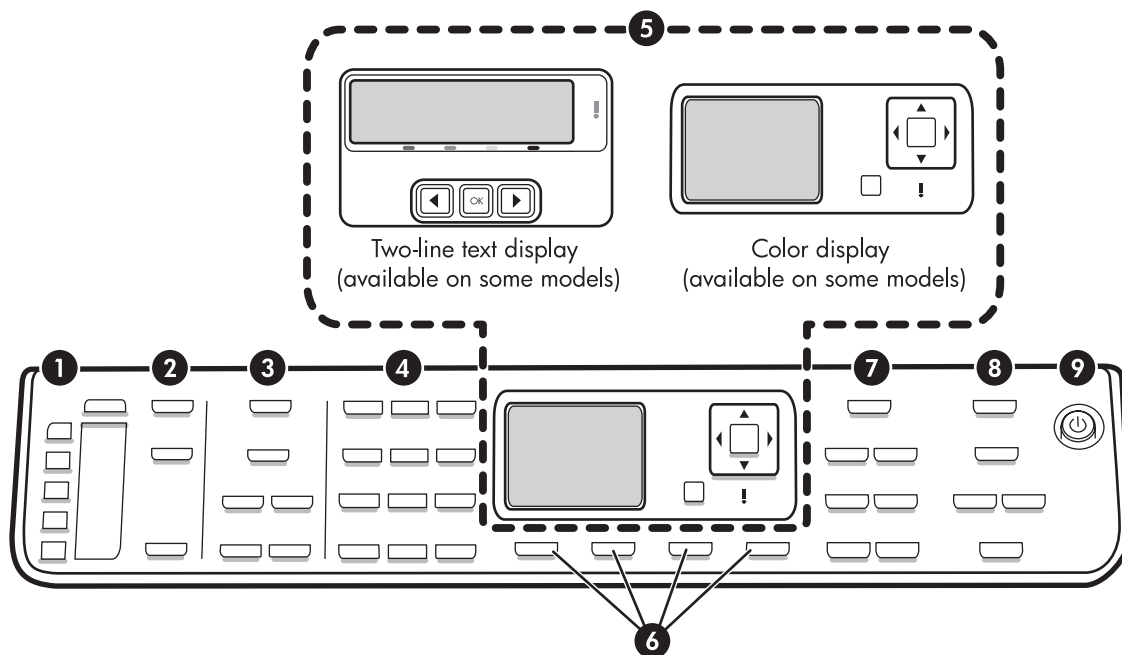
- 1 Compact flash (types I and II, solid state only)
- 2 Secure Digital, MultimediaCard (MMC), Secure MMC
- 3 xD
- 4 Memory Stick, Magic Gate Memory Stick, Memory Stick Duo, and Memory Stick Pro
- 5 Front universal serial bus (USB) port (PictBridge-enabled)

Back view



- 1 Power input
- 2 Ethernet network port (some models only)
- 3 Rear USB port
- 4 Fax ports (1-LINE and 2-EXT)
- 5 Rear access panel (some models only)
- 6 Automatic two-sided printing accessory (duplexer), (some models only)

Control panel



NOTE: The control panel layout and features vary depending on the model of the device that you have. Your device might not have all of the buttons and lights described in this section.

1 Speed Dial

Speed-dial buttons: Access the first five speed-dial numbers. An entry might be a fax number or a group of fax numbers, or a folder on the network.

List of speed-dial entries: Identify the speed-dial entries that correspond to the five speed-dial buttons. You can write the entries on the lined paper that is provided, or print lists to insert.

2 SCAN

Scan Menu: Select a scan destination.

Digital Filing: Open the Direct Digital Filing speed-dial address book to select a destination for the scan.

START SCAN: Start a scan job and send it to the destination you selected using the Scan Menu button.

3 FAX

Menu: Open the menu for the fax function.

Junk Fax Blocker: Open the Junk Fax Blocker menu where you can add or delete numbers from a list of blocked fax numbers and view reports. This feature is available only if caller ID is set up through your phone company.

Resolution: Adjust the speed and quality of faxes that are sent from the device.

Redial/Pause: Redial the most recently dialed fax number.

Auto Answer: Set the fax function to answer the phone automatically after a specified number of rings.

START FAX Black or **START FAX Color:** Start the fax, in black and white or in color.

4 Keypad

Enter fax numbers, values, or text.

5 Display

NOTE: Some device models have a two-line display and some models have a color display.

Shows status and error messages, mode and setup menus and their options, help information, and ink cartridge levels.

Arrow buttons: Move through menu options or through photos on the color display (if available).

OK: Select a menu, setting, or if the device has a color display, select photos for printing.

Back: Return to the previous menu.

6 Other buttons

Setup: Access the menu system for reports, settings, and maintenance.

2-sided: Select two-sided output (if a duplexer is installed).

? **Help:** Shows additional information about messages or menus that are shown on the display. For hardware problems, shows a message that explains the problem. If the device does not have a Help button, use the Setup button to access the help.

✕ **Cancel:** Stop a job, exit a menu, or exit settings.

7 COPY

Menu: Open the menu for the copy function.

Reduce/Enlarge: Change the size of the copy.

Number Of Copies: Select the number of copies using either the arrow keys or by entering the number directly using the keypad.

Collate: Sequence copied output in the exact order it is scanned from the scanner glass or ADF.

Quality: Control the speed and quality of copies. The Quality light illuminates next to the selected copy quality.

START COPY Black or **START COPY Color:** Start the copy in black and white or in color.

8 PHOTO

Menu: Open the menu for the photo function.

Proof Sheet: Print a proof sheet when a memory card has been inserted in a memory card slot.

Rotate: If the device has a color display, rotate the currently displayed photo 90 degrees. Subsequent presses continue to rotate the photo 90 degrees.

Zoom (- and +): If the device has a color display, enlarge or reduce the image.

PRINT PHOTOS: Start the photo printing job.

9 Power button and lights

⏻ **Power button:** Turn the device on or off. When the device is off, a minimal amount of power is still supplied to the device. To completely disconnect the power supply to the device, turn the device off, and then unplug the power cord.

When lit, indicates that the device is on. The light blinks while performing a job.

🌐 **Network status light:** Indicate the status of the device on a network.

📶 **Wireless (802.11) status light:** Indicate the status of the device on a wireless network.

! **Attention light:** When blinking, the attention light indicates an error has occurred that requires your attention.

3 Set up the fax (optional)

This chapter provides instructions for setting up the fax in a number of different setup configurations.

- Using a dedicated phone line
- Using a shared phone line
- Managing and configuring the fax
 - Configuring the answer mode
 - Configuring rings to answer
 - Changing the answer ring pattern for distinctive ringing
 - Setting the fax header
 - Testing the fax setup

For more information about fax features, see the onscreen user guide on the Starter CD.

NOTE: Fax is supported on some models only.

CAUTION: If you do not use the supplied cord to connect from the telephone wall jack to your device, you might not be able to fax successfully.

This special phone cord is different from the phone cords you might already have in your home or office. If the supplied phone cord is too short, see the onscreen user guide on the Starter CD for information.

Parallel- vs. serial-type phone systems

Before you begin setting up the device for faxing, determine which kind of phone system your country/region uses.

NOTE: The instructions for fax setup differ depending on whether you have a serial- or parallel-type phone system.

If you do not see your country/region listed in the following sections, you probably have a serial-type phone system. If you are unsure which kind of telephone system you have (serial or parallel), check with your telephone company.

Countries/regions with parallel-type phone systems

In a parallel-type phone system, you are able to connect shared telephone equipment to the phone line by using the "2-EXT" port on the back of the device.

Argentina	Australia	Brazil
Canada	Chile	China
Colombia	Greece	India
Indonesia	Ireland	Japan
Korea	Latin America	Malaysia
Mexico	Philippines	Poland
Portugal	Russia	Saudi Arabia
Singapore	Spain	Taiwan
Thailand	USA	Venezuela
Vietnam		

NOTE: If you have a parallel-type phone system, HP recommends you use the 2-wire phone cord supplied with the device to connect it to the telephone wall jack.

Countries/regions with serial-type phone systems

In a serial-type phone system, the connector type on your shared telephone equipment (modems, phones, and answering machines) does not allow a physical connection to the "2-EXT" port on the device. Instead, all equipment must be connected at the telephone wall jack.

NOTE: In some countries/regions that use serial-type phone systems, the phone cord that came with the device might have an additional wall plug attached to it. This enables you to connect other telecom devices to the wall jack where you plug in the device.

For information on setting up the device for faxing using a serial-type phone system, see the Fax Configuration Web site for your country/region.

Austria	www.hp.com/at/faxconfig
Belgium (Dutch)	www.hp.be/nl/faxconfig
Belgium (French)	www.hp.be/fr/faxconfig
Denmark	www.hp.dk/faxconfig
Finland	www.hp.fi/faxconfig
France	www.hp.com/fr/faxconfig
Germany	www.hp.com/de/faxconfig
Ireland	www.hp.com/ie/faxconfig
Italy	www.hp.com/it/faxconfig
Norway	www.hp.no/faxconfig
Netherlands	www.hp.nl/faxconfig
Portugal	www.hp.pt/faxconfig
Spain	www.hp.es/faxconfig
Sweden	www.hp.se/faxconfig
Switzerland (French)	www.hp.com/ch/fr/faxconfig
Switzerland (German)	www.hp.com/ch/de/faxconfig
United Kingdom	www.hp.com/uk/faxconfig

Dedicated phone line

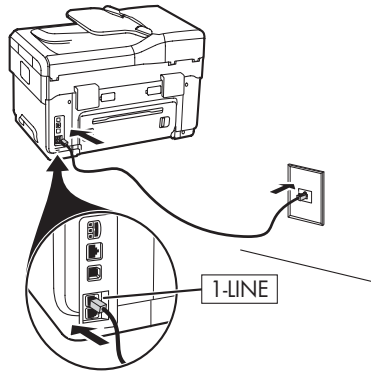
Use this section if you plan on using the following type of phone line for the fax:

- Dedicated phone line (no other devices, such as a phone or answering machine, share the line).
- Dedicated phone line without devices sharing the line but with a subscription to a distinctive ring service.
- Private Branch Exchange (PBX) or an Integrated Services Digital Network (ISDN) line. For more information about PBX and ISDN lines, see the onscreen user guide on the Starter CD.

NOTE: You cannot receive faxes automatically if you have a voice mail service at the same phone number you use for fax calls. You must receive faxes manually; this means you must be available to respond in person to incoming fax calls. If you want to receive faxes automatically instead, contact your telephone company to subscribe to a distinctive ring service, or to obtain a separate phone line for faxing.

Set up the device to answer incoming calls manually. Press the **Auto Answer** button until the light is off.

1. Unplug any telephone devices from the phone jack where you are connecting the device.
2. Connect the phone cord that came with the device between the 1-LINE port on the device and the phone jack.



3. If you subscribe to a distinctive ring service, change the Answer Ring Pattern setting to the pattern that has been assigned to your fax number by the telephone company, for example, double rings or triple rings.

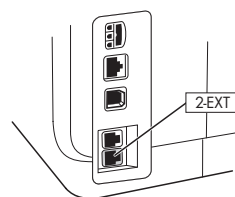
For information on changing this setting, see the onscreen user guide on the Starter CD.

NOTE: Your device is factory-set to answer all ring patterns. If you do not set the correct ring pattern assigned to your fax number by the telephone company, your device might answer both voice calls and fax calls, or it might not answer at all.

Shared phone line

If the fax is going to share the phone line with other devices, such as a phone, answering machine, computer/computer modem, or caller ID box, or if you have voicemail service included with your line, you must follow these instructions to determine how to set up your fax.

1. Follow the steps for the "Dedicated phone line" on page 10.
2. Plug additional devices into the 2-EXT port on the back of the device.



3. Use the following tables to determine the rest of your fax configuration.

Use the fax setup tables

Use the fax setup tables to assist you in setting up the fax function on your device. To use the tables, follow these steps:

1 Determine how you will use the phone line that your fax machine will be using:

- Voice and Fax (see Table 3-1)
- Fax and Internet (see Table 3-2)
- Voice, Fax, and Internet (dial-up) (see Table 3-3)
- Voice, Fax, and Internet (DSL) (see Table 3-4)

Once you determine how you want to use the phone line, follow these steps:

2 In the first row, determine what other devices will share the phone line with the all-in-one (phone, computer, answering machine).

3 In the next rows, determine if the phone line has any special services (voicemail or distinctive ring), and, if the phone line will be used with a computer, determine if you have a dial-up or DSL modem.

4 The next row provides an example of what your fax setup might look like in terms of how to connect various devices to the all-in-one.

5 In the last row of the table are numbers that correspond to the Configuration guideline table on page 13. Use the Configuration guideline table to help you set up your all-in-one so that it operates the most effectively based on the way your all-in-one is set up.

NOTE: You must follow the numbers as they appear in the last row of each fax setup table. Performing the steps out of sequence may result in fax setup problems.

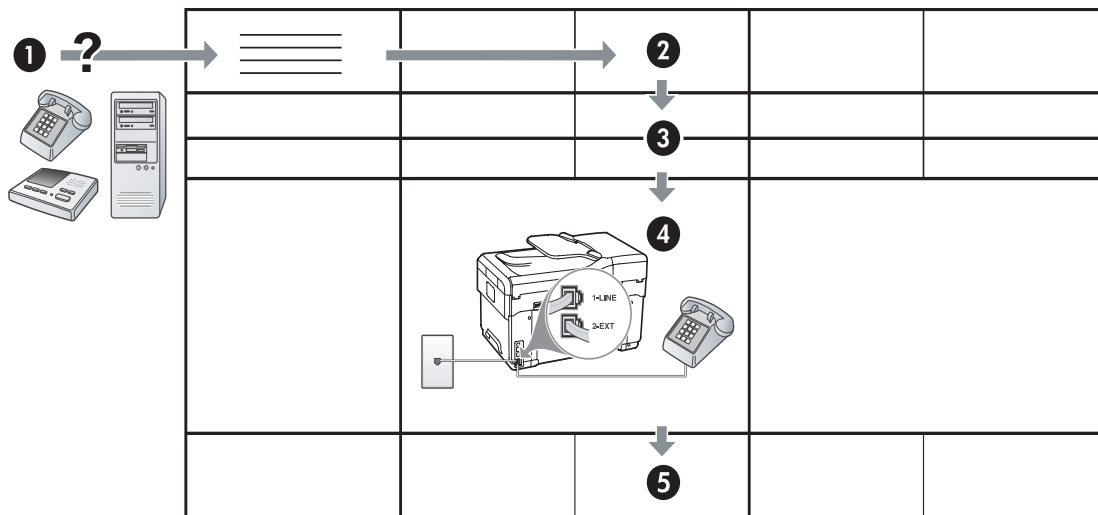


Table 3-1 Voice and Fax

What devices will you connect to the device?	Telephone		<ul style="list-style-type: none"> • Telephone • Answering machine 	
Does your line have...		Distinctive ring service		Distinctive ring service
Your fax setup should look like this...				
Then follow configuration #	3	1, 9, 2	1, 7	1, 9, 7

Table 3-2 Fax and Internet

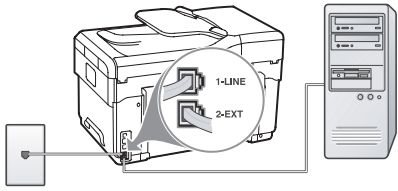
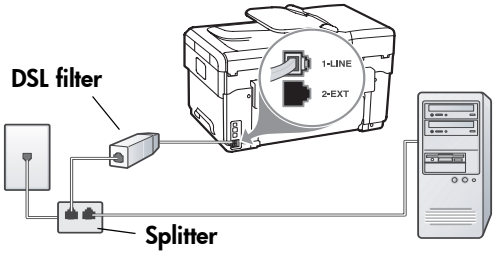
What devices will you connect to the device?	<ul style="list-style-type: none"> • Computer • Modem 	
Is your line...	Dial-up	DSL
Your fax setup should look like this...		
Then follow configuration #	4, 5, 1, 2, 6	8, 1, 2, 6

Table 3-3 Voice, Fax, and Internet (dial-up)

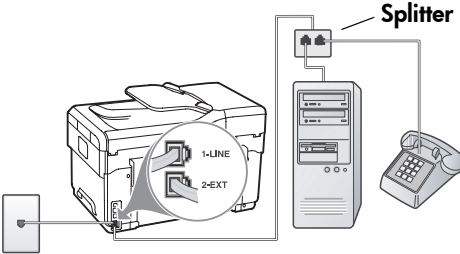
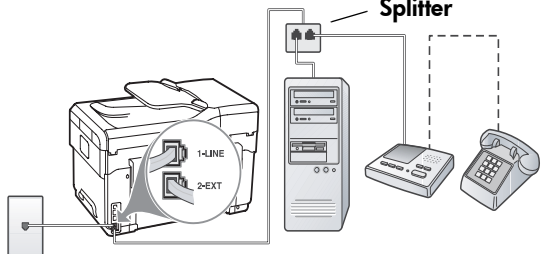
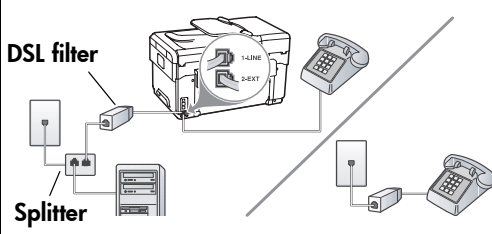
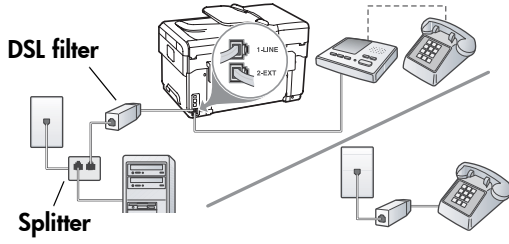
What devices will you connect to the device?	<ul style="list-style-type: none"> • Telephone • Computer • Modem 		<ul style="list-style-type: none"> • Telephone • Computer • Modem • Answering machine 	
Is your line...	Dial-up		Dial-up	
Does your line have...	Distinctive ring service		Distinctive ring service	
Your fax setup should look like this...				
Then follow configuration #	4, 10, 5, 3	4, 10, 5, 3, 9	4, 10, 5, 1, 7	4, 10, 5, 1, 9, 7

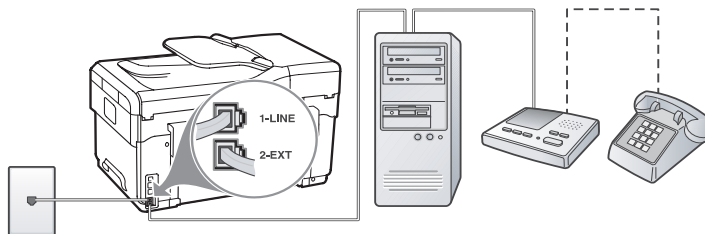
Table 3-4 Voice, Fax, and Internet (DSL)

What devices will you connect to the device?	<ul style="list-style-type: none"> • Telephone • Computer • Modem 		<ul style="list-style-type: none"> • Telephone • Computer • Modem • Answering machine 	
Is your line...	DSL		DSL	
Does your line have...	Distinctive ring service		Distinctive ring service	
Your fax setup should look like this...				
Then follow configuration #	8, 3	8, 3, 9	8, 1, 7	8, 1, 9, 7

Configuration guideline

Configuration #	Configuration instructions
1	Set up the device to answer incoming calls automatically. Press the Auto Answer button until the light is on.
2	(Optional) Change the Rings to Answer setting to one ring or two rings. For information on changing this setting, see the onscreen user guide on the Starter CD.
3	Determine how you want the device to answer calls: automatically or manually. <ul style="list-style-type: none"> If you set up the device to answer calls automatically, it answers all incoming calls and receives faxes. Your device will not be able to distinguish between fax and voice calls in this case; if you suspect the call is a voice call, you will need to answer it before the device answers the call. To answer fax calls automatically, press the Auto Answer button until the light is on. If you set up the device to answer faxes manually, you must be available to respond in person to incoming fax calls or your device cannot receive faxes. To answer fax calls manually, press the Auto Answer button until the light is off.
4 (Dial-up modem)	Since your PC modem shares the phone line with your device, you will not be able to use both your PC modem and your device simultaneously. For example, you cannot use your device for faxing if you are using your PC modem to send an e-mail or access the Internet.
5 (Dial-up modem)	If your PC modem software is set to receive faxes to your computer automatically, turn off that setting. Caution: If you do not turn off the auto fax receive setting in your PC modem software, your device will not be able to receive faxes.
6	When the phone rings, your device will answer automatically after the number of rings you set in the Rings to Answer setting. Then it will begin emitting fax reception tones to the sending fax machine and receive the fax.
7 (Answering machine)	Set your answering machine to answer after four or fewer rings. Change the Rings to Answer setting on your device to six rings. When the phone rings, your answering machine will answer after the number of rings you have set, and then play your recorded greeting. The device monitors the call during this time, "listening" for fax tones. If incoming fax tones are detected, the device will emit fax reception tones and receive the fax; if there are no fax tones, the device stops monitoring the line and your answering machine can record a voice message.
8	DSL lines only: You will need to purchase additional DSL filters for all devices (telephone, computer) that share the DSL phone line.

<p>9 (Distinctive ring service)</p>	<p>Change the Answer Ring Pattern setting to the pattern that has been assigned to your fax number by the telephone company, for example, double rings or triple rings. For information on changing this setting, see the onscreen user guide on the Starter CD. NOTE: Your device is factory-set to answer all ring patterns. If you do not set the correct ring pattern assigned to your fax number by the telephone company, your device might answer both voice calls and fax calls, or it might not answer at all.</p>
<p>10</p>	<p>There are two different ways to set up your device with your computer based on the number of phone ports on your computer. You also need additional phone cords (at least three if your computer has only one phone port and at least two if your computer has two phone ports). Before you begin, check your computer to see if it has one or two phone ports:</p> <p>Computer with one phone port</p> <p>If your computer has only one phone port, you will need to purchase a parallel splitter (also called a coupler). A parallel splitter has one RJ-11 port on the front and two RJ-11 ports on the back. Do not use a two-line phone splitter, a serial splitter, or a parallel splitter which has two RJ-11 ports on the front and a plug on the back. You can purchase a parallel splitter from an electronics store that carries phone accessories.</p> <ol style="list-style-type: none"> 1. Connect one end of the phone cord that came with the device to the wall jack and the other end to the 1-LINE port on the device. 2. Connect one end of a second phone cord to the 2-EXT port on the device and the other end to the front of the parallel splitter (the end with the single phone port). 3. Connect one end of a third phone cord to the back of the parallel splitter (the end with two phone ports) and the other end to the computer. 4. Connect one end of a fourth phone cord to the last open port on the parallel splitter and the other end to a telephone or answering machine. If you are connecting both a telephone and answering machine, connect the fourth phone cord to the answering machine, and then use a fifth phone cord to connect the answering machine to the telephone. <p>NOTE: If you do not connect your answering machine in this way, fax tones from a sending fax machine might be recorded on your answering machine, and you might not be able to receive faxes with your device.</p> <p>Computer with two phone ports</p> <p>If your computer has two phone ports, complete the following steps to connect the device to the computer:</p> <ol style="list-style-type: none"> 1. Connect one end of the phone cord that came with the device to the wall jack and the other end to the 1-LINE port on the device. 2. Connect one end of a second phone cord to the 2-EXT port on the device and the other end to the IN port on the computer. 3. Connect one end of a third phone cord to the OUT port on the computer and the other end to a telephone or answering machine. If you are connecting both a telephone and answering machine, connect the third phone cord to the answering machine, and then connect the answering machine to the telephone. <p>NOTE: If you do not connect your answering machine in this way, fax tones from a sending fax machine might be recorded on your answering machine, and you might not be able to receive faxes with your device.</p>



Managing and configuring fax settings

If you are connecting the device directly to a computer, install the device software, and then run the Fax Setup Wizard (Windows) or HP Device Manager (Mac OS). You can also launch these tools from Solution Center (Windows) or HP Device Manager (Mac OS) at a later time. Use these tools to set the fax header, country/region, and date and time.

In addition, you can configure the fax settings from the embedded Web server (EWS). For information on the EWS, see page 28.

You can also configure these settings from the control panel. For information on the control panel, see the onscreen user guide on the Starter CD.

Set up speed-dial entries

You can store fax numbers or groups of fax numbers as speed-dial entries. Speed-dial entries 1 through 5 are associated with the corresponding five speed-dial buttons on the control panel. This lets you dial those numbers quickly by using the control panel.

In addition to using the control panel, you can also set up speed-dial entries using the embedded Web server and the HP Photosmart software. For information, see the onscreen user guide on the Starter CD.

To set up speed-dial entries

1. From the control panel, press **Setup**.
2. Select **Speed Dial Setup** and do one of the following:
 - **To add or change an entry:** Select **Individual Speed Dial** or **Group Speed Dial** and press the arrow keys to move to an unused entry number, or type a number on the keypad. Type the fax number, and then press **OK**. Include any pauses or other required numbers, such as an area code, an access code for numbers outside a PBX system (usually a 9 or 0), or a long-distance prefix. Type the name using the numeric keypad, and then press **OK**.
 - **To delete one entry or all entries:** Select **Delete Speed Dial** and press the arrow keys to move to the speed-dial entry that you want to delete, and then press **OK**.

Test fax setup

You can test your fax setup to check the status of the device and to make sure it is set up properly for faxing. Perform this test after you have completed setting up the device for faxing. The test does the following:

- Tests the fax hardware
- Verifies the correct type of phone cord is connected to the device
- Checks that the phone cord is plugged into the correct port
- Checks for a dial tone
- Checks for an active phone line
- Tests the status of your phone line connection

The device prints a report with the results of the test. If the test fails, review the report for information on how to fix the problem and rerun the test. For additional troubleshooting information, see "Solving fax problems (optional)" on page 26.

To test fax setup

1. Set up the device for faxing according to your particular home or office setup instructions.
2. Make sure the ink cartridges and printheads are installed, and that full-size paper is loaded in the input tray before starting the test.
3. From the control panel, press **Setup**.
4. Select **Tools**, and then select **Run Fax Test**.
The device displays the status of the test on the display and prints a report.
5. Review the report.
 - If the test passes and you are still having problems faxing, check the fax settings listed in the report to verify the settings are correct. A blank or incorrect fax setting can cause problems faxing.
 - If the test fails, review the report for more information on how to fix any problems found.

4 Set up Direct Digital Filing for scanning (optional)

The Direct Digital Filing feature allows you to scan documents directly to multiple shared folders (up to 10) on your network. With Direct Digital Filing, you do not need any scanning software. Also, you do not need to scan files from your computer and then transfer them to the designated network folder.

NOTE: The Direct Digital Filing feature is available with HP Officejet L7600/L7700 all-in-one models that are connected directly to the network either through a wireless connection or with an Ethernet cable.

NOTE: Direct Digital Filing does not support Windows Active Directory.

Required information

To set up Direct Digital Filing, you need the following information:

- The IP address assigned to the all-in-one.

When you press the Digital Filing button on the all-in-one control panel for the first time, the IP address is listed at the end of the instructions that appear on the display.

- Appropriate privileges on the network.

You must be able to create a folder and change the access permissions for the folder.

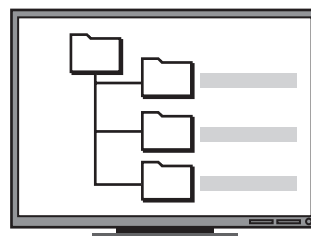
- The name of the computer where the folder is located.

Direct Digital Filing... in action!

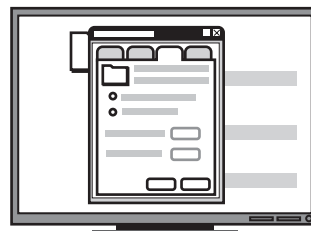
Recently, a small graphic design firm started to manage their invoices, contracts, and expense reports electronically using Direct Digital Filing. Now, instead of filing invoices and other documents, the office manager uses the all-in-one to create an electronic copy that is automatically stored on a computer on the office network.

Setting it up...

The office manager asked one of the office's IT-savvy employees to set up Direct Digital Filing.



First, the IT-savvy employee created three separate folders (named "Invoices", "Contracts", and "Expense Reports") on the computer that would be used to store the documents.



Then, he changed the access permissions on these folders so that the all-in-one could save the files to the appropriate directories.

For information about finding the computer name, see the documentation for your operating system.

- The network address for the folder.

Network addresses are usually written in this format:
\\mypc\sharedfolder

- A username and password for the network.

For example, the Windows NT username and password used to log onto the network.

Step 1: Create and share a folder on the network

NOTE: To use Direct Digital Filing, the folder you are using must already exist on a computer connected to the network. You cannot create a folder from the all-in-one control panel.

1. Create a folder on a computer connected to the network.
2. Share the folder.

Make sure the folder preferences provide read and write access.

For more information about creating folders on the network and setting folder preferences, see the documentation for your operating system.

Step 2: Set up a shortcut to the folder on the network

Links between the all-in-one and the network folder are called "Direct Digital Filing Speed-dials". You create and manage these speed-dials using the embedded Web server (EWS) for the all-in-one.

NOTE: For more information about using the EWS, see "Embedded Web server" on page 28 or the onscreen user guide on the Starter CD.

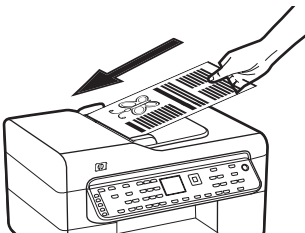
1. Open a supported Web browser (such as Microsoft Internet Explorer, Netscape, Opera, Mozilla Firefox, or Safari) on your computer.



Finally, he used the embedded Web server (EWS) to set up the shortcuts (called "speed-dials") for each of these folders

Trying it out...

After the IT-savvy employee finished setting up Direct Digital Filing, the office manager decided to create an electronic copy of an invoice.



First, she loaded the document in the all-in-one, just like she would if she were making a copy.



Then, she pressed the Digital Filing button on the all-in-one control panel, and the speed-dials that the IT-savvy employee had set up in the EWS appeared on the display.



Finally, she selected the "Invoices" option and pressed the Scan button.

The all-in-one scanned the document and then transmitted it directly to the invoices folder on the computer.

2. Type the IP address that has been assigned to the all-in-one. (For more information, see “Required information”.)

For example, if the IP address is 123.123.123.123, type the following address into the Web browser:
http://123.123.123.123

The EWS page appears in the Web browser window.

3. Click the **Settings** tab.
4. Under **Address Book**, click **Direct Digital Filing Speed-dial..**
5. In the Direct Digital Filing Speed-dial Configure the settings for the new speed-dial in the EWS, including the following:
 - **Friendly Name:** Add a friendly name for the folder. After you set up Direct Digital Filing, this name appears on the all-in-one control panel display when you press the Digital Filing button.
 - **Network Path:** The network path for the folder. Network paths are usually written in this format: \\mypc\sharedfolder. In addition, you can enter the IP address assigned to the all-in-one in this format: \\123.123.123.123.
 - **Username and Password:** The username and password you use when you log on to your computer. The username is usually written in one of these formats: Bob, BOBSPC\Bob, BOBDOMAIN\Bob
 - **Personal Identification Number (PIN):** You can assign an optional PIN to help prevent unauthorized people from using the speed-dial. After you set the PIN, the all-in-one control panel prompts for the PIN whenever the speed-dial is used. To disable the PIN, leave the PIN box blank.
 - **Scan Settings:** Set scan settings for the speed-dial, such as document type and two-sided scanning options, are used whenever this speed-dial is selected.
6. Click Add.

The entry is added to the Direct Digital Filing Speed-dial Address Book.

Step 3: Test and use Direct Digital Filing

1. Load the document on the scanner glass or in the ADF.
2. Press **Digital Filing**.
3. Press the Direct Digital Filing speed-dial button that corresponds to the desired speed-dial.
If prompted, type the PIN for the speed-dial.
4. Press **Start Scan**.

NOTE: The connection might take some time, depending on network traffic and connection speed.

NOTE: Check troubleshooting for “Active directory”.

5 Set up the device for wireless communication (optional)

NOTE: Wireless communication is available with some device models.

This chapter provides instruction for setting up the device for wireless communication using:

- The control panel: Use menus on the display to set up wireless communication.
- Software on the Starter CD: Use a network cable to temporarily connect to the network and set up wireless communication using software on the Starter CD.

For information about other ways to set up the device for wireless communication, see the onscreen user guide on the Starter CD.

Required information

Before installing the device software, you might need to find out the settings of your network. Obtain the information from your system administrators, or complete the following tasks:

- Obtain the network name (SSID) and communication mode (infrastructure or ad hoc) from the configuration utility for the network's wireless access point (WAP) or the computer's network card.
- Find out the type of encryption your network uses, such as Wired Equivalent Privacy (WEP) or Wi-Fi[®] Protected Access (WPA).
- Find out the security password or encryption key of the wireless device.

Understanding 802.11 wireless network settings

Network name (SSID)

By default, the device looks for the wireless network name or Service Set Identifier (SSID) named "hpsetup". Your network may have a different SSID.

Communication mode

There are two communication mode options:

Ad hoc: On an ad hoc network, the device is set to ad hoc communication mode, and communicates directly with other wireless devices without the use of a wireless access point (WAP):

All devices on the ad hoc network must:

- Be 802.11 compatible
- Have ad hoc as the communication mode
- Have the same network name (SSID)
- Be on the same subnet and same channel
- Have the same 802.11 security settings

Infrastructure (recommended): On an infrastructure network, the device is set to infrastructure communication mode, and communicates with other devices on the network, whether the devices are wired or wireless, through a WAP. WAPs commonly act as routers or gateways on small networks.

Security Settings

For the available settings for the device, see the Network configuration page under "Understanding the configuration page" in the onscreen user guide on the Starter CD.

For more information on wireless security, visit www.weca.net/opensection/pdf/whitepaper_wifi_security4-29-03.pdf.

Network authentication: The device's factory default setting is Open, which does not require security for authorization or encryption. The other possible values are OpenThenShared, Shared, and WPA-PSK (Wi-Fi® Protected Access Pre-Shared Key).

- WPA increases the level of over-the-air data protection and access control on existing and future Wi-Fi networks. It addresses all known weaknesses of WEP, the original native security mechanism in the 802.11 standard.
- WPA2 is the second generation of WPA security; providing enterprise and consumer Wi-Fi users with a high level of assurance that only authorized users can access their wireless networks.

Data encryption:

- Wired Equivalent Privacy (WEP) provides security by encrypting data sent over radio waves from one wireless device to another wireless device. Devices on a WEP-enabled network use WEP keys to encode data. If your network uses WEP, you must know the WEP key(s) it uses.
- WPA uses the Temporal Key Integrity Protocol (TKIP) for encryption and employs 802.1X authentication with one of the standard Extensible Authentication Protocol (EAP) types available today.
- WPA2 provides a new, encryption scheme, the Advanced Encryption Standard (AES). AES is defined in counter cipher-block chaining mode (CCM) and supports the Independent Basic Service Set (IBSS) to enable security between client workstations operating in ad hoc mode.

NOTES

- Make sure the device is not connected to the network using a network cable.
- The sending device must have built-in 802.11 capabilities or an 802.11 wireless card installed.
- HP recommends that the device and the computers that use the device be on the same subnet.

Set up the device for wireless communication using the control panel

NOTE: To use this method, you must have a wireless network set up and running.

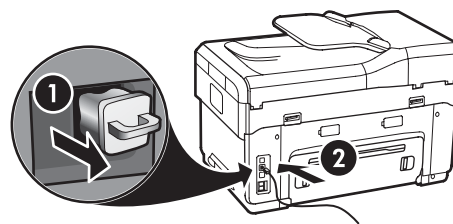
1. On the control panel, press the **Setup** button.
2. Press an arrow button to move to **Network**, and then press **OK**.
3. Press an arrow button to move to **Wireless Setup Wizard**, and then press **OK**.
4. Follow the display instructions to complete the setup.

If you encounter problems, see "Solving wireless problems (some models only)" on page 23.

Set up the device for wireless communication using software

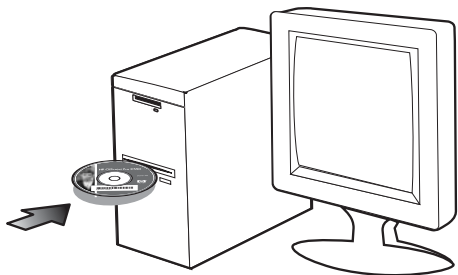
For Windows

1. Remove the protective cover from the device's network connector.
2. Temporarily connect the device to an available port on the network hub, switch, or router with a network cable (sold separately).



3. Close any applications that are running on your computer system.

4. Insert the Starter CD into the CD drive. You must run the installation program at least once from the Starter CD and create a wireless connection.



If the CD menu does not start automatically, double-click the setup icon on the Starter CD.

5. On the CD menu, click **Install** and follow the onscreen instructions.
6. On the **Connection Type** screen, select **Wireless**, and then click **Next**.
7. Follow the onscreen instructions to complete the installation, and when prompted, disconnect the cable.

If you encounter problems, see “Solving wireless problems (some models only)” on page 23.

For Mac OS

1. Open the AirPort Setup Assistant, and then follow the onscreen instructions for joining an existing wireless network (hpsetup).
2. Double-click the setup icon on the Starter CD, and then follow the onscreen instructions.
3. When prompted, click **Printer Setup Utility** to add the device.

If you encounter problems, see “Solving wireless problems (some models only)” on page 23.

6 Troubleshooting

This section provides troubleshooting suggestions for some of the most common issues associated with hardware and software installation.

For late-breaking information, see the readme file and release notes on the Starter CD, or visit the product support Web site at www.hp.com/support.

Solving installation problems

This section provides troubleshooting suggestions for some of the most common issues associated with hardware and software installation.

Hardware installation suggestions

Check the device

- Make sure that all packing tape and material have been removed from outside and inside the device.
- Make sure paper is loaded correctly in the tray, and is not jammed in the device.
- Make sure that no lights are on or blinking except the Power light, which should be on. If the Attention light is blinking, check for messages on the control panel. When the device is first turned on, it takes approximately 45 seconds to warm up.
- Make sure the rear access panel or duplexer is locked into place.
- Make sure that the device can print a Self-test diagnostic page. For more information, see "Self-test diagnostic page" on page 28.

Check the hardware connections

- Make sure that any cords and cables that you are using are in good working order.
- Make sure that the power cord is connected securely to both the device and to a working power outlet.
- Make sure that the phone cord is connected to the 1-LINE port.

Check the printheads and ink cartridges

- Make sure that you have removed the orange caps from the printheads.

- Make sure that all of the printheads and ink cartridges are firmly installed in their correct, color-coded slot. Press down firmly on each one to ensure proper contact. The device cannot work if they are not all installed.
- Make sure that the printhead latch and all covers are closed.
- If the display shows a printhead error message, clean the contacts on the printheads. For more information, see the onscreen user guide on the Starter CD.

Software installation suggestions

Check the computer system

- Make sure that your computer is running one of the supported operating systems. For more information, see the onscreen user guide on the Starter CD.
- Make sure that the computer meets at least the minimum system requirements. For more information, see the onscreen user guide on the Starter CD.

Verify installation preliminaries

- Make sure to use the Starter CD that contains the correct installation software for your operating system.
- Before installing software, make sure that all other programs are closed.
- If the computer does not recognize the path to the CD-ROM drive that you type, make sure that you are specifying the correct drive letter.
- If the computer cannot recognize the Starter CD in the CD-ROM drive, inspect the Starter CD for damage. You can download the device driver from www.hp.com/support.
- In the Windows device manager, make sure that the USB drivers have not been disabled.
- If you are using a computer running Windows, and the computer cannot detect the device, run the uninstallation utility (`util\ccc\uninstall.bat` on the Starter CD) to perform a clean uninstallation of the device driver. Restart your computer, and reinstall the device driver.

Solving network problems (some models only)

NOTE: After correcting any of the following, run the installation program again.

General network troubleshooting

- If you are unable to install the device software, verify that:
 - All cable connections to the computer and the device are secure.
 - The network is operational and the network hub is turned on.
 - All applications, including virus protection programs, spyware protection programs, and firewalls, are closed or disabled for computers running Windows.
 - Make sure the device is installed on the same subnet as the computers that will be using the device.
 - If the installation program cannot discover the device, print the Network configuration page (see “To print the Network configuration page” on page 28), and enter the IP address manually in the installation program.
 - If you are using a computer running Windows, make sure that the network ports created in the device driver match the device IP address:
 - 1) Print the device’s Network configuration page.
 - 2) From the Windows desktop, click **Start**, point to **Settings**, and then click **Printers** or **Printers and Faxes**.

Or

Click **Start**, click **Control Panel**, and then double-click **Printers**.

3) Right-click the device icon, click **Properties**, and then click the **Ports** tab.

Or

Right-click the device icon, click **Run as administrator**, click **Properties**, click **Continue**, and then click the **Ports** tab.

4) Select the TCP/IP port for the device, and then click **Configure Port**.

5) Compare the IP address listed in the dialog box and make sure it matches the IP address listed on the Network configuration page. If the

IP addresses are different, change the IP address in the dialog box to match the address on the Network configuration page.

6) Click **OK** twice to save the settings and close the dialog boxes.

Problems connecting to a wired network

- If the Link light on the network connector does not turn on, make sure that all of the “General network troubleshooting” conditions listed above are met.
- Though it is not recommended that you assign the device with a static IP address, you might resolve some installation problems (such as a conflict with a personal firewall) by doing so. For more information, see the onscreen user guide on the Starter CD.

Solving wireless problems (some models only)

If the device is unable to communicate with the network after completing the wireless setup and software installation, perform one or more of the following tasks.

Check the wireless communication settings

- Make sure the computer’s wireless card is set to the correct wireless profile. A wireless profile is a set of network settings unique to a given network. A single wireless card might have several wireless profiles (for example, one for a home network and one for an office network). Open the Configuration utility for the network card installed on your computer, and ensure that the profile selected is the profile for the device’s network.
- Make sure the device’s network settings match those of your network. Do one of the following to find the settings for your network:
 - **Infrastructure communication:** Open the wireless access point’s (WAP) Configuration utility.
 - **Ad hoc communication:** Open the Configuration utility for the network card installed in your computer.
- Compare the network’s settings to those on the device’s Network configuration page (see “To print the Network configuration page” on page 28), and note any differences. Possible problems include the following:

- The WAP filters hardware addresses (MAC addresses). See “Add hardware addresses to a wireless access point (WAP)” on page 24.
- One of these settings in the device might be incorrect: communication mode, network name (SSID), channel (ad hoc networks only), authentication type, encryption. See “Understanding 802.11 wireless network settings” on page 19.
- Print a document. If the document still does not print, then reset the device’s network settings (see “Reset network configuration settings” on page 24) and reinstall the device software.

If the wireless network settings are correct, the computer might be associated with another wireless network. Ensure that the computer is associated with the same wireless network as that of the device.

Users can ensure this by checking the wireless settings on their respective computers. In addition, ensure that the computers have access to the wireless network.

If the wireless network settings are incorrect, follow these steps to correct the device’s settings:

1. Connect the device to your network with a network cable or to the computer using the network cable.
2. Open the device’s embedded Web server.
3. Click the **Networking** tab, and then click **Wireless (802.11)** in the left pane.
4. Use the Wireless Setup wizard on the Wireless Setup tab to change the device’s settings to match the settings of the network.
5. Close the device’s embedded Web server, and then disconnect the network cable from the device.
6. Uninstall the device software completely, and then reinstall the software.

Add hardware addresses to a wireless access point (WAP)

MAC filtering is a security feature in which a wireless access point (WAP) is configured with a list of MAC addresses (also called “hardware addresses”) of devices that are allowed to gain access to the network through the WAP. If the WAP does not have the hardware address of a device attempting to access the network, the WAP denies the device access to the network. If the WAP filters MAC addresses, then the device’s MAC address must be added to the WAP’s list of accepted MAC addresses.

1. Print the Network configuration page. See “To print the Network configuration page” on page 28.

2. Open the WAP’s configuration utility, and add the device’s hardware address to the list of accepted MAC addresses.

Reset network configuration settings

If the device is still unable to communicate with the network, reset the device’s network settings.

1. Press **Setup**. Press an arrow button to move to **Network**, and then press **OK**.
2. Press an arrow button to move to **Restore Network Defaults**, and then press **OK**.
3. Print the Network configuration page and verify that the network settings have been reset. See “To print the Network configuration page” on page 28.

By default, the network name (SSID) is “hpsetup” and the communication mode is “ad hoc”.

Solving Direct Digital Filing problems (optional)

Unable to scan to network folder

NOTE: The Direct Digital Filing feature does not support Windows Active Directory.

The device is not set up correctly on the network

Make sure that the device is set up properly and connected to the network. PING the device and make sure that it is responding.

The network folder has not been set up correctly

- Make sure the folder is created on the server. For more information, see the documentation available for your operating system.
- Make sure the folder name uses only the letters A through Z (uppercase or lowercase) and the numbers 1 through 9.
- Some common punctuation marks are also supported. However, do not use accented or special characters in the folder name.
- Make sure the folder has been shared and that users can both read and write to the folder. For more

information, see the documentation available for your operating system.

- Make sure the folder name is entered in the correct format in the embedded Web server (EWS) and that the username and password are entered correctly. For more information, see the information in the EWS.

The disk is full

Make sure the server containing the folder has enough disk space available.

The device cannot create a unique filename using the assigned prefix and suffix

The device can create up to 9,999 files using the same prefix and suffix. If you have scanned many files to a folder, change the prefix.

The filename prefix has not been set up correctly

Make sure the folder name and filename prefix uses only the letters A through Z, uppercase or lowercase; the numbers 1 through 9. Some common punctuation marks are also supported. However, do not use accented or special characters in the folder name. If unsupported characters are used in filename prefixes, they will not appear correctly when the file is created.

The server name cannot be resolved

Sending to network folder might fail if the server name provided during setup cannot be resolved to specific IP addresses. When setting up the Direct Digital Filing feature, be sure to do the following:

- Try to use fully qualified DNS names.
- Make sure the DNS server is set up correctly on the device.

TIP: If you have recently changed the DNS settings, turn off and then turn on the all-in-one.

Solving fax problems (optional)

If you ran a fax test and the test failed, see the test report for possible solutions. For more detailed information, see the onscreen user guide on the Starter CD.

The device is having problems sending and receiving faxes

Make sure you use the phone cord that came with the device.

Other equipment that uses the same phone line as the device might be in use. Make sure extension phones (phones on the same phone line, but not connected to the device) or other equipment is not in use or off the hook. For example, you cannot use the device for faxing if an extension phone is off the hook or if you are using a computer dial-up modem to send e-mail or access the Internet.

If you are using a phone splitter, the splitter could cause faxing problems. Try connecting the device directly to the telephone wall jack.

Make sure that one end of the phone cord is connected to the telephone wall jack, while the other end to port labeled "1-LINE" on the back of the device.

Try connecting a working phone directly to the telephone wall jack and check for a dial tone — if you do not hear a dial tone, please contact your telephone company to check the line.

Make sure you connect the device to an analog phone line, or you cannot send or receive faxes. To check if your phone line is digital, connect a regular analog phone to the line and listen for a dial tone. If you do not hear a normal-sounding dial tone, it might be a phone line set up for digital phones. Connect the device to an analog phone line and try sending or receiving a fax.

The phone line connection might be noisy. Phone lines with poor sound quality (noise) can cause faxing problems. Check the sound quality of the phone line by plugging a phone into the telephone wall jack and listening for static or other noise. If you hear noise, turn **Error Correction Mode (ECM)** off and try faxing again.

If you are using a digital subscriber line (DSL) service, make sure that you have a DSL filter connected. Without the filter, you cannot fax successfully.

If you are using either a private branch exchange (PBX) or an integrated services digital network (ISDN) converter/terminal adapter, make sure the device is connected to the correct port and the terminal adapter is set to the correct switch type for your country/region.

The device can send faxes, but cannot receive faxes	If you are not using a distinctive ring service, check to make sure that the Distinctive Ring feature on the device is set to All Rings .
	If Auto Answer is set to Off , or you have a voice mail service at the same phone number you use for fax calls, you can only receive faxes manually.
	If you have a computer dial-up modem on the same phone line with the device, check to make sure that the software that came with your modem is not set to receive faxes automatically.
	If you have an answering machine on the same phone line with the device:
	<ul style="list-style-type: none"> • Check that the answering machine is working properly. • Make sure your setup looks like the second example in Table 3-1 on page 11. • Make sure the device is set to receive faxes automatically. • Make sure the Rings to Answer setting is set to a greater number of rings than the answering machine. • Disconnect the answering machine and then try receiving a fax. • Record a message that is approximately 10 seconds in duration. Speak slowly and at a low volume when recording your message. Leave at least 5 seconds of silence at the end of the voice message.
	Other equipment that uses the same phone line might be causing the test to fail. You can disconnect all the other devices and run the test again. If the Dial Tone Detection Test passes, then one or more of the other equipment is causing problems. Try adding them back one at a time and rerunning the test each time until you identify which piece of equipment is causing the problem.
The device cannot send faxes, but can receive faxes	The device might be dialing too fast or too soon. For example, if you need to access an outside line by dialing "9," try inserting pauses as follows: 9-XXX-XXXX (where XXX-XXXX is the fax number you are sending to). To enter a pause press Redial/Pause , or press the Space (#) button repeatedly, until a dash (-) appears on the display.
The display always shows Phone Off Hook	You are using the wrong phone cord. See the first two issues under "The device is having problems sending and receiving faxes" on page 26.
The device is having problems sending a manual fax	This possible solution applies only in the countries/regions that receive a 2-wire phone cord in the box with the device, including: Argentina, Australia, Brazil, Canada, Chile, China, Colombia, Greece, India, Indonesia, Ireland, Japan, Korea, Latin America, Malaysia, Mexico, Philippines, Poland, Portugal, Russia, Saudi Arabia, Singapore, Spain, Taiwan, Thailand, USA, Venezuela, and Vietnam.
	Make sure your setup looks like the first example in Table 3-1 on page 11.
	If you are sending a fax manually from your phone that is connected directly to the device, you must use the keypad on the telephone to send the fax.
Fax tones are recorded on my answering machine	See the fourth issue under "The device can send faxes, but cannot receive faxes" on page 27.
The phone cord that came with my device is not long enough	If the phone cord that came with the device is not long enough, you can use a coupler to extend the length. You can purchase a coupler at an electronics store that carries phone accessories. You also need another phone cord, which can be a standard phone cord that you might already have in your home or office.
	<ol style="list-style-type: none"> 1. Using the phone cord supplied in the box with the device, connect one end to the coupler, and then connect the other end to the port labeled 1-LINE on the back of the device. 2. Connect a second phone cord to the open port on the coupler and to the telephone wall jack.

Troubleshooting and configuration tools

The following tools are available for troubleshooting or configuring the device. For more information, see the onscreen user guide on the Starter CD.

Self-test diagnostic page

Use the Self-test diagnostic page to view current device settings, to help troubleshoot device problems, and to verify installation of optional accessories, such as the duplexer. The Self-test diagnostic page also contains a log of recent events. If you need to call HP, print the Self-test diagnostic page before calling.

To print the Self-test diagnostic page

1. On the control panel, press the **Setup** button.
2. Select **Print Report**, select **Self-Test Report**, and then press **OK**.

Network configuration page

If the device is connected to a network, you can print a Network configuration page to view the network settings for the device. You can use the Network configuration page to help troubleshoot network connectivity problems.

To print the Network configuration page

1. On the control panel, press the **Setup** button.
2. If your device has a two-line display, select **Network Setup**, select **Print Network Settings**, and then press **OK**.

If your device has a color display, select **Network**, select **View Network Settings**, select **Print Network Configuration Page**, and then press **OK**.

Embedded Web server

A Web server provides an environment in which Web programs can run, in much the same way that an operating system, such as Microsoft® Windows®, provides an environment in which programs can run on your computer. A Web browser, such as Microsoft Internet Explorer, Netscape, Opera, Mozilla Firefox, or Safari can show output from a Web server.

An embedded Web server (EWS) resides on a hardware product (such as a printer) or in the firmware, rather than as software that is loaded on a network server. The advantage of an embedded Web server is that it provides an interface to the product that anyone who has a network-connected computer and a standard Web browser can open and use. No special software needs to be installed or configured.

With the HP Embedded Web Server, you can view product status information, change settings, and manage the product at your computer.

To open the embedded Web server

In a supported Web browser on your computer, type the IP address that has been assigned to the device. For example, if the IP address is 123.123.123.123, type the following address into the Web browser:

```
http://123.123.123.123
```

The IP address for the device is listed on the Network configuration page.

After you open the embedded Web server, you can bookmark it so that you can return to it quickly in the future.

Hewlett-Packard limited warranty statement

HP product	Duration of limited warranty
Software Media	90 days
Printer	1 year
Print or Ink cartridges	Until the HP ink is depleted or the "end of warranty" date printed on the cartridge has been reached, whichever occurs first. This warranty does not cover HP ink products that have been refilled, remanufactured, refurbished, misused, or tampered with.
Accessories	1 year unless otherwise stated

A. Extent of limited warranty

1. Hewlett-Packard (HP) warrants to the end-user customer that the HP products specified above will be free from defects in materials and workmanship for the duration specified above, which duration begins on the date of purchase by the customer.
2. For software products, HP's limited warranty applies only to a failure to execute programming instructions. HP does not warrant that the operation of any product will be interrupted or error free.
3. HP's limited warranty covers only those defects that arise as a result of normal use of the product, and does not cover any other problems, including those that arise as a result of:
 - a. Improper maintenance or modification;
 - b. Software, media, parts, or supplies not provided or supported by HP;
 - c. Operation outside the product's specifications;
 - d. Unauthorized modification or misuse.
4. For HP printer products, the use of a non-HP cartridge or a refilled cartridge does not affect either the warranty to the customer or any HP support contract with the customer. However, if printer failure or damage is attributable to the use of a non-HP or refilled cartridge or an expired ink cartridge, HP will charge its standard time and materials charges to service the printer for the particular failure or damage.
5. If HP receives, during the applicable warranty period, notice of a defect in any product which is covered by HP's warranty, HP shall either repair or replace the product, at HP's option.
6. If HP is unable to repair or replace, as applicable, a defective product which is covered by HP's warranty, HP shall, within a reasonable time after being notified of the defect, refund the purchase price for the product.
7. HP shall have no obligation to repair, replace, or refund until the customer returns the defective product to HP.
8. Any replacement product may be either new or like-new, provided that it has functionality at least equal to that of the product being replaced.
9. HP products may contain remanufactured parts, components, or materials equivalent to new in performance.
10. HP's Limited Warranty Statement is valid in any country where the covered HP product is distributed by HP. Contracts for additional warranty services, such as on-site service, may be available from any authorized HP service facility in countries where the product is distributed by HP or by an authorized importer.

B. Limitations of warranty

TO THE EXTENT ALLOWED BY LOCAL LAW, NEITHER HP NOR ITS THIRD PARTY SUPPLIERS MAKES ANY OTHER WARRANTY OR CONDITION OF ANY KIND, WHETHER EXPRESS OR IMPLIED WARRANTIES OR CONDITIONS OF MERCHANTABILITY, SATISFACTORY QUALITY, AND FITNESS FOR A PARTICULAR PURPOSE.

C. Limitations of liability

1. To the extent allowed by local law, the remedies provided in this Warranty Statement are the customer's sole and exclusive remedies.
2. TO THE EXTENT ALLOWED BY LOCAL LAW, EXCEPT FOR THE OBLIGATIONS SPECIFICALLY SET FORTH IN THIS WARRANTY STATEMENT, IN NO EVENT SHALL HP OR ITS THIRD PARTY SUPPLIERS BE LIABLE FOR DIRECT, INDIRECT, SPECIAL, INCIDENTAL, OR CONSEQUENTIAL DAMAGES, WHETHER BASED ON CONTRACT, TORT, OR ANY OTHER LEGAL THEORY AND WHETHER ADVISED OF THE POSSIBILITY OF SUCH DAMAGES.

D. Local law

1. This Warranty Statement gives the customer specific legal rights. The customer may also have other rights which vary from state to state in the United States, from province to province in Canada, and from country to country elsewhere in the world.
2. To the extent that this Warranty Statement is inconsistent with local law, this Warranty Statement shall be deemed modified to be consistent with such local law. Under such local law, certain disclaimers and limitations of this Warranty Statement may not apply to the customer. For example, some states in the United States, as well as some governments outside the United States (including provinces in Canada), may:
 - a. Preclude the disclaimers and limitations in this Warranty Statement from limiting the statutory rights of a consumer (e.g., the United Kingdom);
 - b. Otherwise restrict the ability of a manufacturer to enforce such disclaimers or limitations; or
 - c. Grant the customer additional warranty rights, specify the duration of implied warranties which the manufacturer cannot disclaim, or allow limitations on the duration of implied warranties.
3. THE TERMS IN THIS WARRANTY STATEMENT, EXCEPT TO THE EXTENT LAWFULLY PERMITTED, DO NOT EXCLUDE, RESTRICT, OR MODIFY, AND ARE IN ADDITION TO, THE MANDATORY STATUTORY RIGHTS APPLICABLE TO THE SALE OF THE HP PRODUCTS TO SUCH CUSTOMERS.

HP Limited Warranty

Dear Customer,

You will find below the name and address of the HP entity responsible for the performance of the HP Limited Warranty in your country.

You may have additional statutory rights against the seller based on your purchase agreement. Those rights are not in any way affected by this HP Limited Warranty.

Ireland: Hewlett-Packard Ireland Ltd. 30 Herbert Street IRL-Dublin 2

United Kingdom: Hewlett-Packard Ltd, Cain Road, Bracknell, GB-Berks RG12 1HN

Sommaire

1 Configuration de l'appareil		6 Dépannage	
Avant de commencer	2	Résolution des problèmes d'installation	26
Configuration de l'appareil	2	Résolution des problèmes de réseau (uniquement sur certains modèles).	27
Clôture de l'installation	4	Résolution des problèmes sans fil (uniquement sur certains modèles).	28
Recherche d'informations supplémentaires	5	Résolution des problèmes d'archivage numérique (facultatif).	29
2 Identification des différentes parties de l'appareil		Résolution des problèmes de télécopie (facultatif).	30
Vue de face	6	Outils de dépannage et de configuration.	32
Vue arrière	7		
Panneau de commande.	8	Déclaration de garantie limitée Hewlett-Packard	
3 Configuration du télécopieur (facultatif)			
Systèmes téléphoniques parallèles ou en série	10		
Ligne téléphonique dédiée.	11		
Ligne téléphonique partagée	12		
Gestion et configuration des paramètres du télécopieur.	17		
Configuration d'entrées de numérotation rapide	17		
Test de la configuration du télécopieur	17		
4 Configuration de la fonction Archivage numérique (facultatif)			
Informations requises.	20		
Étape 1 : Création et partage d'un dossier sur le réseau.	21		
Étape 2 : Configuration d'un raccourci vers le dossier sur le réseau	22		
Étape 3 : Test et utilisation de l'archivage numérique.	22		
5 Configuration de l'appareil pour la communication sans fil (facultatif)			
Informations requises.	23		
Présentation des paramètres du réseau sans fil 802.11	23		
Configuration de l'appareil pour la communication sans fil à l'aide du panneau de commande	24		
Configuration de l'appareil pour la communication sans fil à l'aide des logiciels	25		

1 Configuration de l'appareil

Cette section résume la procédure de configuration de l'appareil.

Avant de commencer

Choix de l'emplacement

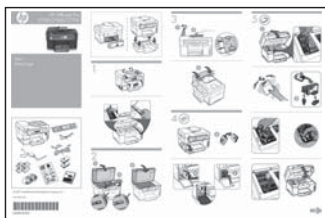
Assurez-vous que l'endroit où vous comptez installer l'appareil répond aux exigences suivantes.

- La surface doit être stable et à niveau.
- Prenez soin de laisser suffisamment d'espace pour accéder à l'arrière de l'appareil et ouvrir le couvercle du scanner à plat.
- Ne placez pas l'appareil sous la lumière directe du soleil ou à proximité de produits chimiques. Vérifiez que l'endroit n'est pas exposé à des changements brusques de température ou d'humidité.

Température	De 15 à 35 °C
Humidité relative	Entre 10 et 80 %

Configuration de l'appareil

Cette section résume les étapes à suivre pour configurer l'appareil. Pour plus d'informations, reportez-vous à la fiche d'installation fournie avec l'appareil.



REMARQUE : Vérifiez le contenu de l'emballage et installez les accessoires optionnels.

1. Retirez le ruban adhésif et les emballages.

REMARQUE : Prenez soin de retirer l'emballage en carton de la zone des têtes d'impression.

2. Installez la façade du panneau de commande.
3. Installez le bac d'alimentation de document.
4. Installez les cartouches d'encre.

REMARQUE : L'appareil ne fonctionnera que si les quatre cartouches d'encre sont correctement installées. L'encre des cartouches est utilisée dans le processus d'impression de différentes manières, notamment dans le processus d'initialisation, qui prépare l'appareil et les cartouches pour l'impression, et dans l'entretien de la tête d'impression, qui maintient les buses dégagées et garantit une libre circulation de l'encre. En outre, il reste de l'encre dans la cartouche après son utilisation. Pour plus d'informations, reportez-vous à la page Web www.hp.com/go/inkusage.

5. Installez les têtes d'impression.

ATTENTION : Appuyez fermement sur les têtes d'impression pour assurer un bon contact avant de fermer le loquet des têtes d'impression.

6. Branchez le cordon d'alimentation et mettez l'appareil sous tension.

REMARQUE : Paramétrez la langue et le pays/la région (si nécessaire), de même que la date et l'heure, sur l'écran.

7. Lorsque vous y êtes invité, chargez du papier, puis appuyez sur le bouton OK.
- Soulevez le bac de sortie.
 - Insérez jusqu'à 250 feuilles de papier dans le bac 1, face à imprimer vers le bas, le long du côté droit du bac. Vérifiez que la pile de papier est alignée sur les bords droit et arrière du bac et ne dépasse pas le marquage sur le bac.

REMARQUE : Chargez uniquement du papier ordinaire dans le bac 2.

- Faites glisser les guides papier du bac en fonction du format du papier chargé.
- Abaissez le bac de sortie et déployez l'extension.

Pour garantir une qualité d'impression optimale, l'appareil s'initialise et aligne les têtes d'impression. Cette opération dure environ 12 minutes.

8. Installez le logiciel et branchez l'appareil. Vous pouvez connecter l'appareil à l'aide d'un des types de connexion suivants :

- USB
- Réseau Ethernet (uniquement sur certains Supprimer le point).
- Réseau sans fil (802.11) (uniquement sur certains Supprimer le point).
- Télécopieur (uniquement sur certains Supprimer le point).

Pour plus d'informations sur les logiciels et la connectivité de l'appareil, reportez-vous au guide utilisateur à l'écran disponible sur le CD-ROM de démarrage.



USB

- Insérez le CD-ROM de démarrage, cliquez sur **Installer** (Windows) ou **Installer le logiciel** (Mac OS), puis suivez les instructions à l'écran pour procéder à l'installation du logiciel.

REMARQUE : Si le menu du CD ne démarre pas automatiquement, double-cliquez sur l'icône d'installation sur le CD-ROM de démarrage.

- Lorsque le système vous y invite, connectez le câble USB à l'ordinateur.



Réseau Ethernet

- Retirez le cache de protection du connecteur réseau de l'appareil.
- Branchez le câble réseau au connecteur et à un port disponible sur le concentrateur réseau, le commutateur ou le routeur. Si le voyant de liaison du connecteur ne s'allume pas, essayez un autre port.

ATTENTION : Ne branchez pas le câble réseau dans un port portant le nom WAN, Uplink ou Internet du concentrateur, du commutateur ou du routeur.

- Insérez le CD-ROM de démarrage, cliquez sur **Installer** (Windows) ou **Installer le logiciel** (Mac OS), puis suivez les instructions à l'écran pour procéder à l'installation du logiciel.

Si le programme d'installation affiche plusieurs appareils, imprimez une page de configuration réseau afin de sélectionner le bon.

REMARQUE : Si le menu du CD ne démarre pas automatiquement, double-cliquez sur l'icône d'installation sur le CD-ROM de démarrage.

- Imprimez la page de configuration réseau. Cette page contient les informations nécessaires pour la configuration. Sur le panneau de commande, appuyez sur le bouton **Configurer**, puis effectuez une des opérations suivantes :
 - Si l'appareil est doté d'un affichage texte sur deux lignes, sélectionnez **Configuration réseau** et **Impression des paramètres réseau**, puis appuyez sur **OK**.
 - Si l'appareil possède un affichage couleur, sélectionnez **Réseau**, **Afficher les paramètres réseau** et **Imprimer la page de configuration réseau**, puis appuyez sur **OK**.



Réseau sans fil 802.11

Pour plus d'informations sur la communication sans fil et la configuration, reportez-vous à la section « Configuration de l'appareil pour la communication sans fil (facultatif) », page 23.

Télécopieur

Si vous installez le logiciel à l'aide du programme d'installation disponible sur le CD-ROM de démarrage, vous pouvez configurer les paramètres du télécopieur après avoir installé les logiciels de l'appareil en utilisant l'Assistant d'installation du télécopieur (Windows) ou le Gestionnaire de périphériques HP (Mac OS). Pour plus d'informations sur la configuration du télécopieur, reportez-vous à la section « Configuration du télécopieur (facultatif) », page 10.

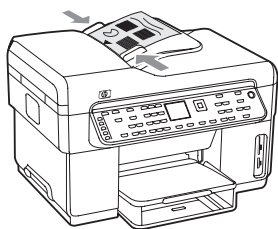
9. Configurez la fonction Archivage numérique (facultatif).

Pour obtenir des instructions sur la configuration, reportez-vous à la section « Configuration de la fonction Archivage numérique (facultatif) », page 20.

Clôture de l'installation

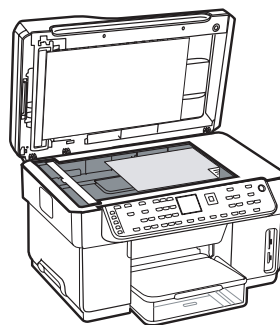
Vérification de la configuration de l'appareil

1. Imprimez un document à partir d'une application que vous utilisez souvent.
2. Placez le document dans le bac d'alimentation en orientant la face à imprimer vers le haut et plaçant la première page en haut.
3. Ajustez les guides de réglage de largeur au format du document.



4. Appuyez sur **COPIER, Noir** ou **COPIER, Couleur**. L'appareil effectue une copie du document. En cas de problème, reportez-vous à la section « Résolution des problèmes d'installation », page 26.
5. Retirez le document du bac de sortie du BAA.
6. Ouvrez le couvercle du scanner à plat.

7. Placez la première page du document face à imprimer vers le bas sur la vitre du scanner, en positionnant le coin supérieur gauche du document dans le coin supérieur droit de la vitre.



8. Fermez le scanner à plat.
9. Appuyez sur **COPIER, Noir** ou **COPIER, Couleur**. L'appareil effectue une copie du document. En cas de problème, reportez-vous à la section « Résolution des problèmes d'installation », page 26.

Vérification de l'installation correcte des logiciels de l'appareil

Pour vérifier si les logiciels de l'appareil ont été correctement installés, lancez-les et effectuez des tâches de base (impression d'un document ou envoi d'une numérisation vers l'ordinateur, par exemple).

Pour ouvrir le logiciel HP Photosmart (Windows)

1. Sur le bureau Windows, double-cliquez sur l'icône du logiciel HP Photosmart.
2. Si plusieurs périphériques HP sont installés, sélectionnez l'onglet correspondant à votre appareil.

Pour ouvrir le logiciel HP Photosmart Studio (Mac OS)

1. Cliquez sur l'icône HP Photosmart Studio sur le Dock.
2. Cliquez sur **Périphérique**, puis sélectionnez un appareil.

Pour plus d'informations sur l'utilisation des logiciels de l'appareil, reportez-vous à l'aide en ligne des logiciels.

Enregistrement de l'appareil

Si ce n'est pas encore fait, allez sur le site www.register.hp.com et enregistrez l'appareil.

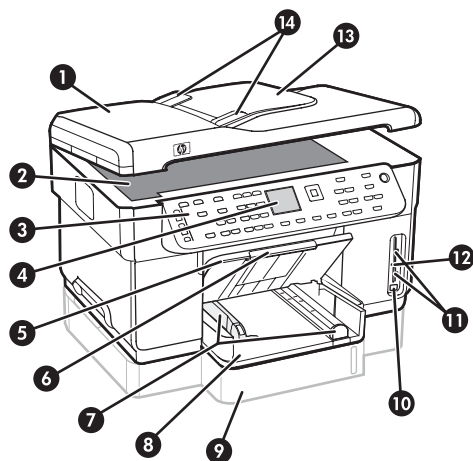
Recherche d'informations supplémentaires

Pour plus d'informations sur l'utilisation et le dépannage de l'appareil, consultez les ressources suivantes :

- Guide utilisateur à l'écran et fichier LisezMoi sur le CD-ROM de démarrage ou à l'adresse www.hp.com/support
- HP Instant Support et serveur Web intégré (voir le guide utilisateur à l'écran)
- Site d'assistance pour les produits à l'adresse www.hp.com/support

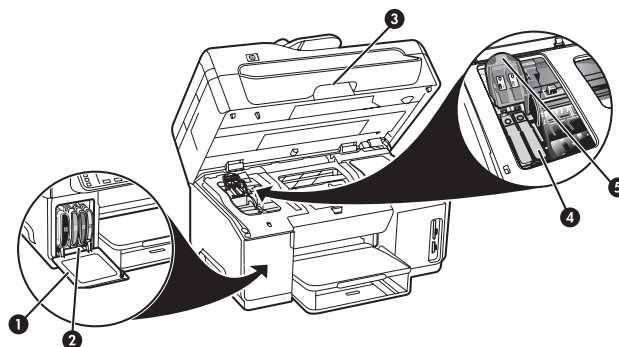
2 Identification des différentes parties de l'appareil

Vue de face



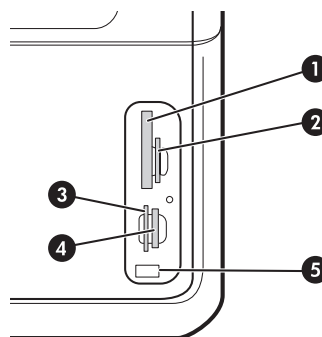
- 1 Bac d'alimentation automatique (BAA)
- 2 Vitre du scanner
- 3 Panneau de commande
- 4 Affichage
- 5 Bac de sortie
- 6 Extension du bac de sortie
- 7 Guide de longueur/largeur
- 8 Bac 1
- 9 Bac 2 (disponible sur certains modèles)
- 10 Port USB avant
- 11 Logements pour carte mémoire
- 12 Voyant du dispositif de mémoire
- 13 Bac d'alimentation
- 14 Guides de largeur

Zone d'approvisionnement pour l'impression



- 1 Porte d'accès aux cartouches d'encre
- 2 Cartouches d'encre
- 3 Porte d'accès au chariot d'impression
- 4 Têtes d'impression
- 5 Loquet des têtes d'impression

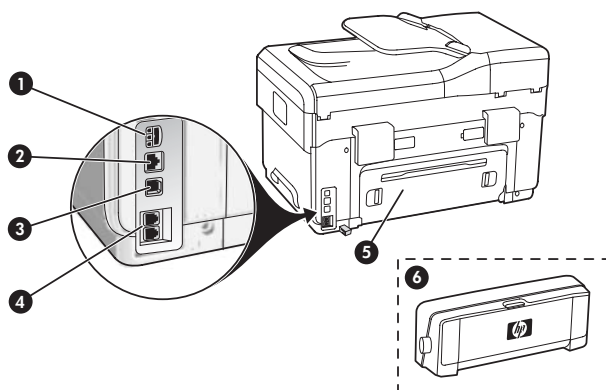
Logements pour carte mémoire



- 1 CompactFlash (types I et II, à semi-conducteurs uniquement)
- 2 Secure Digital, MultimediaCard (MMC), Secure MMC
- 3 carte mémoire xD
- 4 Memory Stick, Magic Gate Memory Stick, Memory Stick Duo et Memory Stick Pro

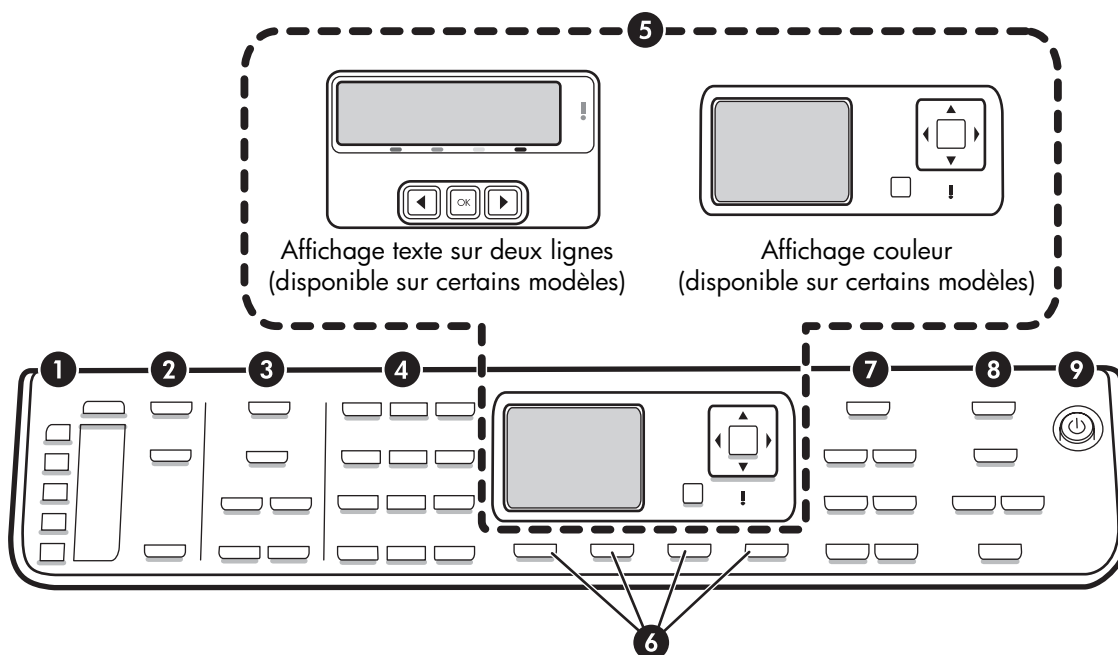
- 5 Port USB (Universal Serial Bus) avant
(compatible PictBridge)

Vue arrière



- 1 Entrée d'alimentation
- 2 Port réseau Ethernet (uniquement sur certains modèles)
- 3 Port USB arrière
- 4 Ports de télécopie (1-LINE et 2-EXT)
- 5 Panneau d'accès arrière (uniquement sur certains modèles)
- 6 Accessoire d'impression recto verso automatique (unité recto verso), (uniquement sur certains modèles)

Panneau de commande



REMARQUE : L'agencement et les fonctions du panneau de commande varient en fonction du modèle de l'appareil. Il est possible que votre appareil ne dispose pas de tous les boutons et voyants décrits dans cette section.

1 Numérotation rapide

Boutons Numérotation rapide : Accédez aux cinq premiers numéros de numérotation rapide. Il peut s'agir d'un numéro de télécopieur, d'un groupe de numéros de télécopieur ou d'un dossier du réseau.

Liste d'entrées de numérotation rapide : Identifiez les entrées de numérotation rapide correspondant aux boutons de numérotation rapide. Vous pouvez noter les entrées sur le papier ligné fourni ou imprimer des listes en vue de les insérer.

2 NUMERISER

Menu Numérisation : Sélectionnez une destination de numérisation.

Archivage numérique : Ouvrez le carnet d'adresses des numéros abrégés de l'archivage numérique pour sélectionner une destination pour la numérisation.

NUMERISER : Lancez une numérisation et envoyez-la à la destination sélectionnée à l'aide du bouton Menu Numérisation.

3 TELECOPIE

Menu : Ouvre le menu de la fonction de télécopie.

Bloquer les télécopies indésirables : Ouvre le menu Bloquer les télécopies indésirables dans lequel vous pouvez ajouter ou supprimer des numéros sur une liste de numéros de télécopieur bloqués et afficher des rapports. Cette fonction est uniquement disponible si l'identification de l'appelant a été configurée via la compagnie de téléphone.

Résolution : Règle la vitesse et la qualité des télécopies envoyées depuis l'appareil.

BIS/Pause : Recompose le dernier numéro de télécopieur entré.

Réponse auto. : Règle le télécopieur pour qu'il réponde automatiquement au téléphone après le nombre de sonneries spécifié.

TELECOPIER, Noir ou TELECOPIER, Couleur : Démarre la télécopie en noir et blanc ou en couleur.

4 Pavé numérique

Saisissez des numéros de télécopieur, des valeurs ou du texte.

5 Affichage

REMARQUE : Certains modèles d'appareil ont un affichage sur deux lignes et d'autres un affichage couleur.

Cet affichage fournit des informations telles que l'état, les messages d'erreur, les menus de mode et de configuration et leurs options, des informations d'aide et les niveaux des cartouches d'encre.

Boutons fléchés : Permettent de parcourir les options de menus ou des photos sur l'affichage couleur (si disponible).

OK : Sélectionne un menu, un paramètre ou, si l'appareil dispose d'un affichage couleur, des photos à imprimer.

Précédent : Revient au menu précédent.

6 Autres boutons

Configurer : Permet d'accéder au système de menus et notamment aux rapports, aux paramètres et à la maintenance de l'appareil.

Recto verso : Sélectionne la sortie recto verso (si une unité d'impression recto verso est installée).

? **Aide :** Affiche des informations complémentaires sur les messages ou les menus affichés à l'écran. En cas de problèmes matériels, affiche un message expliquant le problème. Si l'appareil ne possède pas de bouton Aide, utilisez le bouton Configurer pour accéder à l'aide.

✕ **Annuler :** Permet d'arrêter une tâche, de quitter un menu ou d'annuler des paramètres.

7 COPIER

Menu : Ouvre le menu de la fonction de copie.

Réduire/Agrandir : Modifie la taille de la copie.

Nombre de copies : Permet de sélectionner le nombre de copies à l'aide des boutons fléchés ou en saisissant directement le nombre avec le pavé numérique.

Trier : Classe les copies dans l'ordre exact où elles sont numérisées depuis la vitre du scanner ou le BAA.

Qualité : Contrôle la vitesse et la qualité des copies. Le voyant de qualité s'allume à côté de la qualité de copie sélectionnée.

COPIER, Noir ou **COPIER, Couleur :** Lance la copie en noir et blanc ou en couleur.

8 PHOTO

Menu : Ouvre le menu de la fonction de photographie.

Index photos : Imprime un index photos lorsqu'une carte mémoire a été insérée dans un emplacement prévu à cet effet.

Pivoter : Si l'appareil dispose d'un affichage couleur, fait pivoter la photo actuellement affichée de 90 degrés. Celle-ci continue de pivoter de 90 degrés à chaque pression.

Zoom (- et +) : Si l'appareil possède un affichage couleur, agrandit ou réduit l'image.

IMPRIMER PHOTOS : Lance la tâche d'impression des photos.

9 Interrupteur et voyants de marche/arrêt

⏻ **Interrupteur de marche/arrêt :** Met l'appareil sous ou hors tension. Lorsque l'appareil est hors tension, il reçoit une alimentation minimale. Mettez le périphérique hors tension et débranchez le cordon d'alimentation pour couper entièrement l'alimentation électrique de l'appareil.

Lorsqu'il est allumé, indique que l'appareil est sous tension. Le voyant clignote lors de l'exécution d'une tâche.

🔌 **Voyant d'état du réseau :** Indique l'état de l'appareil sur un réseau.

📶 **Voyant d'état du réseau sans fil (802.11) :** Indique l'état de l'appareil sur un réseau sans fil.

! **Voyant d'avertissement :** Lorsque ce voyant clignote, cela signifie qu'une erreur exigeant votre attention s'est produite.

3 Configuration du télécopieur (facultatif)

Ce chapitre propose des instructions sur le paramétrage du télécopieur en fonction de plusieurs configurations.

- Utilisation d'une ligne téléphonique dédiée
- Utilisation d'une ligne téléphonique partagée
- Gestion et configuration du télécopieur
 - Configuration du mode de réponse
 - Configuration du nombre de sonneries avant réponse
 - Modification du type de sonnerie sur Sonnerie distincte
 - Définition de l'en-tête de télécopie
 - Test de la configuration du télécopieur

Pour plus d'informations sur les fonctions du télécopieur, reportez-vous au guide utilisateur à l'écran disponible sur le CD-ROM de démarrage.

REMARQUE : La fonction de télécopie est uniquement prise en charge sur certains modèles.

ATTENTION : Si vous vous servez d'un autre cordon que celui qui vous a été fourni pour relier votre appareil à la prise téléphonique murale, il se peut que votre télécopieur ne fonctionne pas correctement.

Ce cordon spécial est différent des autres cordons téléphoniques que vous possédez éventuellement chez vous ou au bureau. S'il est trop court, reportez-vous au guide utilisateur à l'écran disponible sur le CD-ROM de démarrage pour obtenir des informations.

Systèmes téléphoniques parallèles ou en série

Avant de configurer le périphérique pour la télécopie, indiquez le système téléphonique utilisé dans votre pays/région.

REMARQUE : Les instructions relatives à la configuration de votre périphérique pour la télécopie diffèrent selon que vous disposez d'un système téléphonique en parallèle ou en série.

Si votre pays/région n'apparaît pas dans les sections suivantes, vous disposez probablement d'un système téléphonique en série. Si vous ignorez le type de système téléphonique dont vous disposez (en parallèle ou en série), contactez votre opérateur téléphonique.

Pays/régions équipés de systèmes téléphonique parallèles

Dans ce cas, vous pouvez connecter l'équipement téléphonique partagé à la ligne téléphonique via le port « 2-EXT » situé à l'arrière du périphérique.

Argentine	Australie	Brésil
Canada	Chili	Chine
Colombie	Grèce	Inde
Indonésie	Irlande	Japon
Corée du Sud	Amérique Latine	Malaysia
Mexique	Philippines	Pologne
Portugal	Russie	Arabie saoudite
Singapour	Espagne	Taiwan
Thaïlande	Etats-Unis	Venezuela
Vietnam		

REMARQUE : Si vous disposez d'un système téléphonique en parallèle, HP recommande d'utiliser le cordon téléphonique à 2 fils fourni avec le périphérique pour connecter ce dernier à la prise téléphonique murale.

Pays/régions équipés de systèmes téléphoniques en série

Dans un système téléphonique série, le type de connecteur présent sur vos équipements téléphoniques partagés (modems, téléphones et répondeurs) ne permet pas une connexion physique au port « 2-EXT » du périphérique. Tous les équipements doivent par conséquent être reliés à la prise téléphonique murale.

REMARQUE : Dans certains pays/régions utilisant les systèmes téléphoniques série, le cordon téléphonique fourni avec le périphérique peut comporter une prise murale supplémentaire. Ceci vous permet de connecter d'autres périphériques de télécommunications à la prise murale sur laquelle vous branchez le périphérique.

Pour plus d'informations sur la configuration de l'appareil pour l'envoi de télécopies à l'aide d'un système téléphonique en série, consultez le site web de configuration du télécopieur de votre pays/région.

Autriche	www.hp.com/at/faxconfig
Belgique (néerlandais)	www.hp.be/nl/faxconfig
Belgique (français)	www.hp.be/fr/faxconfig
Danemark	www.hp.dk/faxconfig
Finlande	www.hp.fi/faxconfig
France	www.hp.com/fr/faxconfig
Allemagne	www.hp.com/de/faxconfig
Irlande	www.hp.com/ie/faxconfig
Italie	www.hp.com/it/faxconfig
Norvège	www.hp.no/faxconfig
Pays-Bas	www.hp.nl/faxconfig
Portugal	www.hp.pt/faxconfig
Espagne	www.hp.es/faxconfig
Suède	www.hp.se/faxconfig
Suisse (français)	www.hp.com/ch/fr/faxconfig
Suisse (allemand)	www.hp.com/ch/de/faxconfig
Royaume-Uni	www.hp.com/uk/faxconfig

Ligne téléphonique dédiée

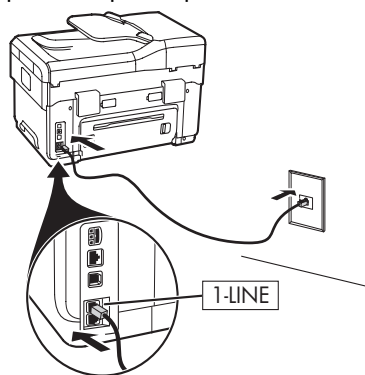
Utilisez cette section si vous prévoyez de faire appel au type de ligne téléphonique suivant pour le télécopieur :

- Ligne téléphonique dédiée (aucun autre périphérique, tel qu'un téléphone ou un répondeur, ne partage la ligne).
- Ligne téléphonique dédiée sans périphérique partageant cette ligne, mais avec un abonnement à un service de sonnerie distincte.
- Ligne d'autocommutateur privé (Private Branch Exchange, PBX) ou RNIS (réseau numérique à intégration de services). Pour plus d'informations sur les lignes PBX et RNIS, reportez-vous au guide utilisateur à l'écran disponible sur le CD-ROM de démarrage.

REMARQUE : Vous ne pouvez pas recevoir de télécopies automatiquement si un service de messagerie vocale est actif sur le même numéro de téléphone que celui utilisé pour les appels de télécopie. Cela signifie que vous devez pouvoir répondre personnellement aux appels entrants de télécopie. Si vous souhaitez recevoir des télécopies automatiquement, contactez votre opérateur téléphonique pour vous abonner à un service de sonnerie distincte ou pour obtenir une ligne de téléphone séparée pour la télécopie.

Configurez l'appareil pour qu'il réponde manuellement aux appels entrants. Appuyez sur le bouton **Réponse auto.** jusqu'à ce que le voyant s'éteigne.

1. Débranchez tous les périphériques téléphoniques de la prise téléphonique sur laquelle vous branchez l'appareil.
2. Connectez le cordon téléphonique livré avec l'appareil entre le port 1-LINE de l'appareil et la prise téléphonique.



3. Si vous souscrivez à un service de sonnerie distincte, configurez le paramètre Répondre à ce motif de sonnerie sur le motif qui a été attribué à votre numéro de télécopieur par la compagnie de téléphone (par exemple, sonnerie double ou triple).

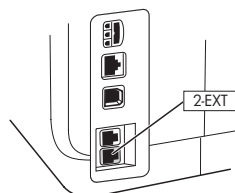
Pour plus d'informations sur la modification de ce paramètre, reportez-vous au guide utilisateur à l'écran disponible sur le CD-ROM de démarrage.

REMARQUE : Votre appareil est configuré en usine pour répondre à toutes les sonneries. Si vous ne définissez pas le motif de sonnerie correct assigné à votre numéro de télécopieur par la compagnie de téléphone, il est possible que l'appareil réponde à la fois aux appels vocaux et aux appels de télécopie ou qu'il ne réponde pas du tout.

Ligne téléphonique partagée

Si le télécopieur est destiné à partager la ligne téléphonique avec d'autres appareils (téléphone, répondeur, ordinateur/modem ou boîte d'identification de l'appelant), ou si un service de boîte vocale est associé à votre ligne, vous devez suivre les instructions ci-dessous pour configurer le télécopieur.

1. Suivez les étapes de la section « Ligne téléphonique dédiée », page 11.
2. Branchez les périphériques supplémentaires sur le port 2-EXT situé à l'arrière de l'appareil.



3. Utilisez les tableaux suivants pour procéder à la configuration de votre télécopieur.

Utilisation des tableaux de configuration du télécopieur

Aidez-vous des tableaux de configuration du télécopieur pour paramétrer la fonction de télécopie sur votre appareil. Pour utiliser ces tableaux, procédez comme suit :

- 1 Déterminez l'utilisation que vous ferez de la ligne téléphonique sur laquelle est branché le télécopieur :

- Téléphone et télécopieur (voir Tableau 3-1)
- Téléphone, télécopieur et Internet (numérotation) (voir Tableau 3-3)
- Télécopieur et Internet (voir Tableau 3-2)
- Téléphone, télécopieur et Internet (DSL) (voir Tableau 3-4)

Après avoir déterminé de quelle manière vous comptez utiliser la ligne téléphonique, procédez comme suit :

- 2 Sur la première ligne, identifiez les autres périphériques qui partageront la ligne téléphonique avec l'appareil tout-en-un (téléphone, ordinateur, répondeur).

- 3 Sur les lignes suivantes, déterminez si la ligne téléphonique possède des services spéciaux (boîte vocale ou sonnerie distincte) et, si la ligne téléphonique est utilisée avec un ordinateur, voyez si vous possédez un modem à numérotation ou DSL.

- 4 La ligne suivante présente un exemple de configuration du télécopieur après connexion des différents périphériques à l'appareil tout-en-un.

- 5 La dernière ligne du tableau contient des chiffres correspondant au tableau Procédure de configuration de la page 15. Aidez-vous du tableau Procédure de configuration pour configurer votre appareil tout-en-un de manière à ce qu'il fonctionne le plus efficacement possible selon sa configuration.

REMARQUE : Vous devez suivre les numéros dans l'ordre où ils apparaissent sur la dernière ligne du tableau de configuration du télécopieur. Le non-respect de l'ordre peut provoquer des problèmes de configuration du télécopieur.

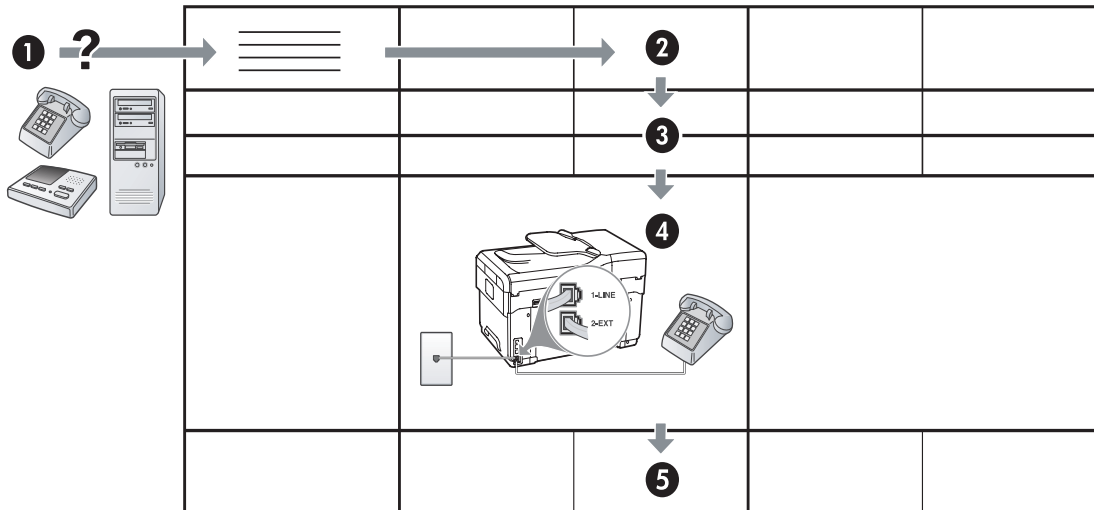


Tableau 3-1 Téléphone et télécopieur

Quels périphériques comptez-vous connecter à l'appareil?	Téléphone		<ul style="list-style-type: none"> • Téléphone • Répondeur 	
Votre ligne possède-t-elle...		Service de sonnerie distincte		Service de sonnerie distincte
La configuration de votre télécopieur doit ressembler à ceci...				
Suivez la configuration n°	3	1, 9, 2	1, 7	1, 9, 7

Tableau 3-2 Télécopieur et Internet

Quels périphériques comptez-vous connecter à l'appareil?	<ul style="list-style-type: none"> • Ordinateur • Modem 		
Votre ligne est-elle...	Numérotation		DSL
La configuration de votre télécopieur doit ressembler à ceci...			
Suivez la configuration n°	4, 5, 1, 2, 6		8, 1, 2, 6

Tableau 3-3 Téléphone, télécopieur et Internet (numérotation)

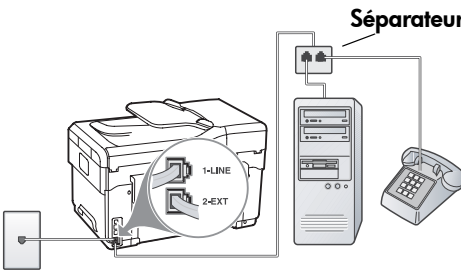
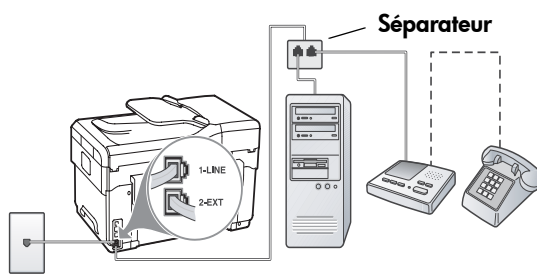
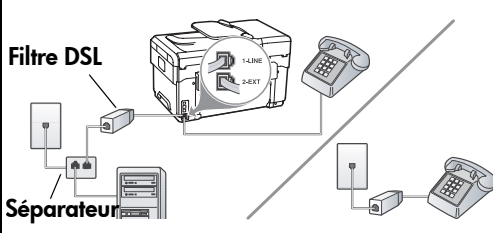
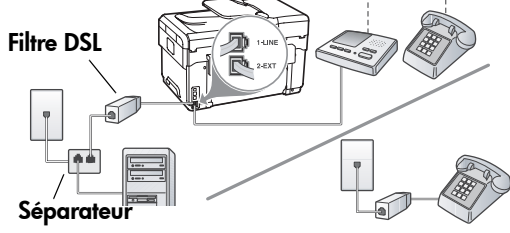
Quels périphériques comptez-vous connecter à l'appareil?	<ul style="list-style-type: none"> • Téléphone • Ordinateur • Modem 		<ul style="list-style-type: none"> • Téléphone • Ordinateur • Modem • Répondeur 	
Votre ligne est-elle...	Numérotation		Numérotation	
Votre ligne possède-t-elle...		Service de sonnerie distincte		Service de sonnerie distincte
La configuration de votre télécopieur doit ressembler à ceci...				
Suivez la configuration n°	4, 10, 5, 3	4, 10, 5, 3, 9	4, 10, 5, 1, 7	4, 10, 5, 1, 9, 7

Tableau 3-4 Téléphone, télécopieur et Internet (DSL)

Quels périphériques comptez-vous connecter à l'appareil?	<ul style="list-style-type: none"> • Téléphone • Ordinateur • Modem 		<ul style="list-style-type: none"> • Téléphone • Ordinateur • Modem • Répondeur 	
Votre ligne est-elle...	DSL		DSL	
Votre ligne possède-t-elle...		Service de sonnerie distincte		Service de sonnerie distincte
La configuration de votre télécopieur doit ressembler à ceci...				
Suivez la configuration n°	8, 3	8, 3, 9	8, 1, 7	8, 1, 9, 7

Procédure de configuration

N° de configuration	Instructions de configuration
1	Configurez l'appareil pour qu'il réponde automatiquement aux appels entrants. Appuyez sur le bouton Réponse auto. jusqu'à ce que le voyant s'allume.
2	(Facultatif) Réglez le paramètre Sonneries avant réponse sur une ou deux sonneries. Pour plus d'informations sur la modification de ce paramètre, reportez-vous au guide utilisateur à l'écran disponible sur le CD-ROM de démarrage.
3	Déterminez la manière dont vous voulez que l'appareil réponde aux appels : automatiquement ou manuellement. <ul style="list-style-type: none"> Si vous configurez l'appareil pour qu'il réponde automatiquement aux appels, il prendra tous les appels entrants et recevra les télécopies. Dans ce cas, l'appareil n'est pas en mesure de faire la distinction entre les appels de télécopie et les appels vocaux. Si vous pensez qu'il s'agit d'un appel vocal, vous devez donc y répondre avant que l'appareil ne prenne l'appel. Pour que l'appareil automatiquement aux appels de télécopie, appuyez sur le bouton Réponse auto. jusqu'à ce que le voyant s'allume. Si vous configurez l'appareil pour qu'il réponde manuellement aux télécopies, vous devez être présent pour répondre aux appels de télécopie entrants. Dans le cas contraire, votre appareil ne pourra pas recevoir de télécopies. Pour répondre manuellement aux appels de télécopie, appuyez sur le bouton Réponse auto. jusqu'à ce que le voyant s'éteigne.
4 (Modem à numérotation)	Votre modem d'ordinateur partageant la ligne téléphonique avec votre appareil, vous ne pouvez pas utiliser simultanément le modem et l'appareil. Ainsi vous ne pouvez pas utiliser l'appareil pour transmettre une télécopie si vous êtes déjà en train d'utiliser le modem pour envoyer un courrier électronique ou accéder à Internet.
5 (Modem à numérotation)	Si le logiciel du modem de votre ordinateur est configuré pour recevoir des télécopies automatiquement, désactivez ce paramètre. Attention : Si vous ne désactivez pas l'option de réception automatique de télécopies du logiciel de votre modem, votre appareil ne pourra pas recevoir de télécopies.
6	Lorsque le téléphone sonne, l'appareil répond automatiquement après le nombre de sonneries spécifié sous Sonneries avant réponse. Il envoie ensuite une tonalité de réception de télécopie au télécopieur d'origine et commence à recevoir la télécopie.
7 (Répondeur)	Réglez le répondeur pour qu'il se déclenche après quatre sonneries ou moins. Réglez le paramètre Sonneries avant réponse de l'appareil sur six sonneries. Lorsque le téléphone sonne, le répondeur répond après le nombre de sonneries défini et lit le message d'accueil enregistré. Pendant ce temps, l'appareil surveille l'appel à l'écoute d'éventuelles tonalités de télécopie. Si des tonalités de télécopie entrantes sont détectées, l'appareil émet des tonalités de réception de télécopie et réceptionne la télécopie. Si aucune tonalité de télécopie n'est détectée, l'appareil arrête la surveillance de la ligne et votre répondeur peut enregistrer un message vocal.
8	Lignes DSL uniquement : Vous devez acheter des filtres DSL supplémentaires pour tous les périphériques (téléphone, ordinateur, etc.) partageant la ligne téléphonique DSL.
9 (Service de sonnerie distincte)	Configurez le paramètre Répondre à ce motif de sonnerie sur le motif qui a été attribué à votre numéro de télécopieur par la compagnie de téléphone (par exemple, sonnerie double ou triple). Pour plus d'informations sur la modification de ce paramètre, reportez-vous au guide utilisateur à l'écran disponible sur le CD-ROM de démarrage. REMARQUE : Votre appareil est configuré en usine pour répondre à toutes les sonneries. Si vous ne définissez pas le motif de sonnerie correct assigné à votre numéro de télécopieur par la compagnie de téléphone, il est possible que l'appareil réponde à la fois aux appels vocaux et aux appels de télécopie ou qu'il ne réponde pas du tout.

Il existe deux méthodes distinctes pour configurer votre appareil avec votre ordinateur, selon le nombre de ports téléphoniques disponibles sur votre ordinateur. Vous avez également besoin de cordons téléphoniques supplémentaires (au moins trois si votre ordinateur ne dispose que d'un seul port téléphonique et au moins deux s'il en possède deux).

Avant de commencer, vérifiez si votre ordinateur dispose d'un ou de deux ports téléphoniques.

Ordinateur à un seul port

Si votre ordinateur ne dispose que d'un port téléphonique, vous devrez faire l'acquisition d'un séparateur parallèle (ou coupleur). Un séparateur parallèle dispose d'un port RJ-11 à l'avant et de deux ports RJ-11 à l'arrière. N'utilisez **pas** un séparateur téléphonique à 2 lignes, un séparateur série ou un séparateur parallèle qui dispose de deux ports RJ-11 à l'avant et d'une prise à l'arrière. Vous trouverez des séparateurs parallèles dans les magasins d'électronique qui proposent des accessoires de téléphonie.

1. Branchez une extrémité du cordon téléphonique fourni avec l'appareil sur la prise murale et l'autre sur le port 1-LINE de l'appareil.
2. Connectez une extrémité d'un deuxième cordon téléphonique au port 2-EXT de l'appareil et l'autre extrémité à l'avant du séparateur parallèle (le côté avec un seul port téléphonique).
3. Branchez une extrémité d'un troisième cordon téléphonique sur l'arrière du séparateur parallèle (la face avec deux ports téléphoniques) et l'autre sur l'ordinateur.
4. Branchez une extrémité d'un quatrième cordon téléphonique sur le dernier port ouvert du séparateur parallèle et l'autre sur un téléphone ou un répondeur. Si vous connectez à la fois un téléphone et un répondeur, branchez le quatrième cordon téléphonique sur le répondeur et utilisez un cinquième cordon pour relier le répondeur au téléphone.

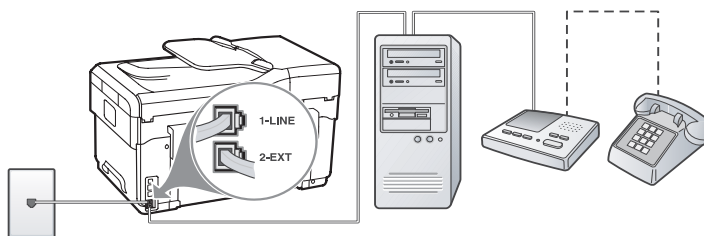
REMARQUE : Si vous ne connectez pas votre répondeur de cette manière, des tonalités de télécopie d'un télécopieur expéditeur risquent d'être enregistrées sur votre répondeur et vous ne pourrez probablement pas recevoir de télécopies avec l'appareil.

Ordinateur doté de deux ports téléphoniques

Si votre ordinateur possède deux ports téléphoniques, procédez comme suit pour relier l'appareil à l'ordinateur :

1. Branchez une extrémité du cordon téléphonique fourni avec l'appareil sur la prise murale et l'autre sur le port 1-LINE de l'appareil.
2. Branchez une extrémité d'un deuxième cordon téléphonique sur le port 2-EXT de l'appareil et l'autre sur le port IN de l'ordinateur.
3. Branchez une extrémité d'un troisième cordon téléphonique sur le port OUT de l'ordinateur et l'autre sur un téléphone ou un répondeur. Si vous connectez à la fois un téléphone et un répondeur, branchez le troisième cordon téléphonique sur le répondeur, puis reliez le répondeur au téléphone.

REMARQUE : Si vous ne connectez pas votre répondeur de cette manière, des tonalités de télécopie d'un télécopieur expéditeur risquent d'être enregistrées sur votre répondeur et vous ne pourrez probablement pas recevoir de télécopies avec l'appareil.



Gestion et configuration des paramètres du télécopieur

Si vous connectez directement l'appareil à un ordinateur, installez les logiciels de l'appareil, puis lancez l'Assistant de configuration du télécopieur (Windows) ou le Gestionnaire de périphériques HP (Mac OS). Vous pouvez également lancer ces outils depuis le Centre de solutions (Windows) ou le Gestionnaire de périphériques HP (Mac OS) à un stade ultérieur. Utilisez ces outils pour configurer l'en-tête de télécopie, le pays/la région, la date et l'heure.

Vous pouvez également configurer les paramètres du télécopieur depuis le serveur Web intégré (EWS). Pour plus d'informations sur l'EWS, reportez-vous à la page 32.

Vous pouvez aussi configurer les paramètres depuis le panneau de commande. Pour plus d'informations sur le panneau de commande, reportez-vous au guide utilisateur à l'écran disponible sur le CD-ROM de démarrage.

Configuration d'entrées de numérotation rapide

Vous pouvez enregistrer des numéros de télécopieur ou des groupes de numéros de télécopieur comme entrées de numérotation rapide. Les entrées de numérotation rapide 1 à 5 sont associées aux cinq boutons de numérotation rapide correspondants du panneau de commande. Cela vous permet de composer rapidement ces numéros à partir du panneau de commande.

En plus d'utiliser le panneau de commande, vous pouvez également configurer des entrées de numérotation rapide avec le serveur Web intégré et le logiciel HP Photosmart. Pour plus d'informations, reportez-vous au guide utilisateur à l'écran disponible sur le CD-ROM de démarrage.

Pour définir des entrées de numérotation rapide

1. Sur le panneau de commande, appuyez sur **Configurer**.
2. Sélectionnez **Config. numér. rapide** et effectuez une des opérations suivantes :
 - **Pour ajouter ou modifier une entrée :**
Sélectionnez **Numérotation rapide individuelle** ou **Numéro abrégé de groupe** et appuyez sur les touches fléchées pour accéder à un numéro d'entrée inutilisé, ou saisissez un numéro au clavier. Saisissez le numéro de télécopieur, puis appuyez sur **OK**. Vous pouvez inclure des espaces ou d'autres chiffres, tels qu'un code de zone, un code d'accès pour les numéros externes à un système PBX (habituellement 9 ou 0) ou un préfixe longue distance. Entrez l'heure d'envoi à l'aide du clavier numérique, puis appuyez sur **OK**.
 - **Pour supprimer une entrée ou toutes les entrées :**
Sélectionnez **Suppression de la numérotation rapide** et appuyez sur les touches fléchées pour sélectionner l'entrée de numérotation rapide à supprimer, puis sur **OK**.

Test de la configuration du télécopieur

Vous pouvez tester la configuration du télécopieur pour vérifier l'état de l'appareil et vous assurer qu'il est configuré correctement. Effectuez ce test après avoir configuré l'appareil pour la télécopie. Le test effectue les opérations suivantes :

- Teste le matériel du télécopieur.
- Vérifie que le type de cordon téléphonique approprié est connecté à l'appareil.
- Vérifie que le cordon téléphonique est connecté au port approprié.
- Recherche une tonalité.
- Recherche une ligne téléphonique active.
- Teste l'état de la connexion à la ligne téléphonique.

L'appareil imprime un rapport des résultats du test. Si le test échoue, examinez le rapport pour obtenir des informations sur la procédure à suivre pour corriger les problèmes et relancer le test. Pour plus d'informations sur le dépannage, reportez-vous à section « Résolution des problèmes de télécopie (facultatif) », page 30.

Pour tester la configuration du télécopieur

1. Configurez l'appareil pour télécopier selon vos instructions spécifiques de configuration de domicile ou de lieu de travail.
2. Vérifiez que les cartouches d'encre et les têtes d'impression sont installées et que du papier normal est chargé dans le bac d'alimentation avant de débiter le test.
3. Sur le panneau de commande, appuyez sur **Configurer**.
4. Sélectionnez **Outils**, puis **Effectuez le test du télécopieur**.

L'appareil affiche l'état du test sur l'écran et imprime un rapport.

5. Consultez le rapport.
 - Si le test est satisfaisant et que vous avez toujours des problèmes de télécopie, vérifiez que les paramètres du télécopieur indiqués dans le rapport sont corrects. Un paramètre de télécopie vide ou incorrect peut provoquer des problèmes de télécopie.
 - En cas d'échec du test, consultez le rapport pour obtenir des informations de résolution du problème.

4 Configuration de la fonction Archivage numérique (facultatif)

La fonction Archivage numérique vous permet de numériser directement des documents vers plusieurs dossiers partagés (jusqu'à 10) du réseau. Aucun logiciel de numérisation n'est requis. En outre, vous ne devez pas numériser les fichiers depuis votre ordinateur, puis les transférer vers le dossier réseau choisi.

REMARQUE : La fonction d'archivage numérique est disponible sur les modèles tout-en-un HP Officejet L7600/L7700 connectés directement au réseau via une connexion sans fil ou un câble Ethernet.

REMARQUE : L'archivage numérique ne prend pas en charge Windows Active Directory.

Informations requises

Pour configurer l'archivage numérique, vous avez besoin des informations suivantes :

- L'adresse IP attribuée à l'appareil tout-en-un.

Lorsque vous appuyez pour la première fois sur le bouton Archivage numérique du panneau de commande de l'appareil tout-en-un, l'adresse IP apparaît à la fin des instructions qui s'affichent à l'écran.

- Des privilèges appropriés sur le réseau.

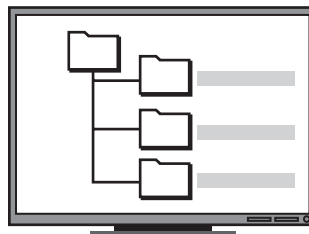
Vous devez être à même de créer un dossier et d'en modifier les autorisations d'accès.

L'archivage numérique... à l'action !

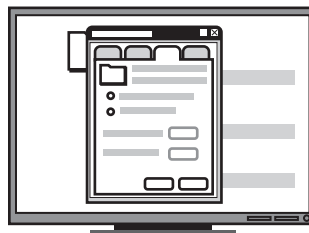
Récemment, une petite société graphique a décidé de gérer ses factures, contrats et états de frais par voie électronique, à l'aide de l'archivage numérique. A présent, au lieu d'archiver des factures et d'autres documents, le chef de bureau utilise l'appareil tout-en-un pour créer une copie électronique, qui est automatiquement stockée sur un ordinateur du réseau du bureau.

Configuration...

Le chef de bureau a demandé à l'un des informaticiens de la société de configurer l'archivage numérique.



L'informaticien a tout d'abord créé trois dossiers distincts (« Factures », « Contrats » et « Etats des frais ») sur l'ordinateur destiné à stocker les documents.



Il a ensuite modifié les autorisations d'accès de ces dossiers de manière à permettre à l'appareil tout-en-un d'enregistrer les fichiers dans les répertoires appropriés.

- Le nom de l'ordinateur sur lequel se trouve le dossier
 Pour plus d'informations sur la procédure de recherche du nom de l'ordinateur, reportez-vous à la documentation de votre système d'exploitation.
- L'adresse réseau du dossier.
 Les adresses réseau ont généralement le format suivant : \\monordinateur\dossierpartagé
- Un nom d'utilisateur et un mot de passe pour le réseau.
 Par exemple, le nom d'utilisateur et le mot de passe Windows NT utilisés pour se connecter au réseau.

Etape 1 : Création et partage d'un dossier sur le réseau

REMARQUE : Pour pouvoir utiliser l'archivage numérique, vous devez préalablement créer le dossier de destination sur un ordinateur relié au réseau. Vous ne pouvez pas créer de dossier depuis le panneau de commande de l'appareil tout-en-un.

1. Créez un dossier sur un ordinateur relié au réseau.
2. Partagez le dossier.
 Assurez-vous que les préférences du dossier autorisent l'accès en lecture et en écriture.

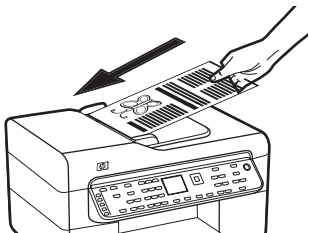
Pour plus d'informations sur la création de dossiers sur le réseau et la configuration des préférences du dossier, reportez-vous à la documentation de votre système d'exploitation.



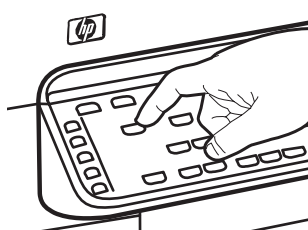
Pour terminer, il a utilisé le serveur Web intégré (EWS) pour configurer les raccourcis (appelés « numéros abrégés ») de ces différents dossiers.

Test...

Une fois la configuration de l'archivage numérique terminée, le chef de bureau a décidé de créer une copie électronique d'une facture.



Il a tout d'abord chargé le document dans l'appareil tout-en-un, comme s'il s'apprêtait à faire une copie.



Il a ensuite appuyé sur le bouton Archivage numérique du panneau de commande de l'appareil tout-en-un pour afficher à l'écran les numéros abrégés configurés par l'informaticien dans l'EWS.



Il a finalement sélectionné l'option « Factures » et appuyé sur le bouton Numériser.

L'appareil tout-en-un a alors numérisé le document et l'a envoyé directement dans le dossier Factures de l'ordinateur.

Etape 2 : Configuration d'un raccourci vers le dossier sur le réseau

Les liens entre l'appareil tout-en-un et le dossier réseau sont appelés des « numéros abrégés à archivage numérique ». Vous pouvez créer et gérer ces numéros abrégés à l'aide du serveur Web intégré (EWS) de l'appareil tout-en-un.

REMARQUE : Pour plus d'informations sur l'utilisation de l'EWS, reportez-vous à la section « Serveur Web intégré », page 32 ou au guide utilisateur à l'écran disponible sur le CD-ROM de démarrage.

1. Ouvrez un navigateur Web pris en charge (Microsoft Internet Explorer, Netscape, Opera, Mozilla Firefox ou Safari, par exemple) sur votre ordinateur.
2. Tapez l'adresse IP attribuée à l'appareil tout-en-un. (Pour plus d'informations, reportez-vous à la section « Informations requises ».)

Par exemple, si l'adresse IP est 123.123.123.123, entrez l'adresse suivante dans le navigateur Web : `http://123.123.123.123`

La page EWS apparaît dans la fenêtre du navigateur Web.

3. Cliquez sur l'onglet **Paramètres**.
4. Sous **Carnet d'adresses**, cliquez sur **Numéro abrégé à archivage numérique**.
5. Dans Numéro abrégé à archivage numérique, configurez les paramètres du nouveau numéro abrégé dans l'EWS et notamment :

- **Nom convivial :** Attribuez un nom convivial au dossier. Une fois l'archivage numérique configuré, ce nom apparaît sur l'écran du panneau de commande de l'appareil tout-en-un lorsque vous appuyez sur le bouton Archivage numérique.
- **Chemin du réseau :** Le chemin réseau du dossier. Les chemins du réseau ont généralement le format suivant : `\\monordinateur\dossierpartagé`. Vous pouvez en outre saisir l'adresse IP attribuée à l'appareil tout-en-un au format suivant : `\\123.123.123.123`.

- **Nom utilisateur et mot de passe :** Le nom d'utilisateur et le mot de passe que vous utilisez pour vous connecter à l'ordinateur. Le nom d'utilisateur se présente généralement dans l'un des formats suivants : Bob, ORDINATEURBOB\Bob, DOMAINEBOB\Bob
- **Numéro d'identification personnel (PIN) :** Vous pouvez attribuer un PIN optionnel pour empêcher des personnes non autorisées d'utiliser la numérotation abrégée. Une fois le code PIN défini, le panneau de commande de l'appareil tout-en-un demande ce dernier à chaque utilisation de la numérotation rapide. Pour désactiver le code PIN, laissez la case PIN vide.
- **Paramètres de numérisation :** Définissez les paramètres de la numérisation abrégée, comme le type de document et les options de numérisation recto verso, à utiliser chaque fois que la numérotation abrégée est sélectionnée.

6. Cliquez sur Ajouter.

L'entrée est ajoutée au carnet d'adresses des numéros abrégés de l'archivage numérique.

Etape 3 : Test et utilisation de l'archivage numérique

1. Placez le document face vers le bas sur la vitre du scanner ou dans le BAA.
2. Appuyez sur **Archivage numérique**.
3. Appuyez sur le numéro abrégé à archivage numérique correspondant à la numérotation abrégée souhaitée.

Si vous y êtes invité, tapez le code PIN de la numérotation rapide.
4. Appuyez sur **Démarrer la numérisation**.

REMARQUE : La connexion peut prendre un certain temps, en fonction du trafic sur le réseau et de la vitesse de la connexion.

REMARQUE : Consultez la rubrique « Active directory » de la section Dépannage.

5 Configuration de l'appareil pour la communication sans fil (facultatif)

REMARQUE : La communication sans fil est disponible sur certains modèles d'appareil.

Ce chapitre propose des instructions pour la configuration de l'appareil pour la communication sans fil via :

- Le panneau de commande : utilisez des menus de l'affichage pour configurer la communication sans fil.
- Les logiciels disponibles sur le CD-ROM de démarrage : utilisez un câble réseau pour vous connecter temporairement au réseau et configurer la communication sans fil à l'aide des logiciels du CD-ROM de démarrage.

Pour plus d'informations sur les autres méthodes de configuration de l'appareil pour la communication sans fil, reportez-vous au guide utilisateur à l'écran disponible sur le CD-ROM de démarrage.

Informations requises

Avant d'installer les logiciels de l'appareil, vous devrez peut-être vous procurer les renseignements relatifs aux paramètres de votre réseau. Vous pouvez les obtenir auprès de vos administrateurs système ou en procédant comme suit :

- Recherchez le nom du réseau (SSID) et le mode de communication (infrastructure ou ad hoc) dans l'utilitaire de configuration du point d'accès sans fil (WAP) ou la carte réseau de l'ordinateur.
- Identifiez le type de chiffrement utilisé par votre réseau (tel que Wired Equivalent Privacy (WEP) ou Wi-Fi® Protected Access (WPA)).
- Munissez-vous du mot de passe sécurisé ou de la clé de chiffrement du périphérique sans fil.

Présentation des paramètres du réseau sans fil 802.11

Nom du réseau (SSID)

Par défaut, l'appareil recherche le réseau sans fil ou le SSID (Service Set Identifier) intitulé « hpsetup ». Il se peut que votre réseau ait un SSID différent.

Mode de communication

Deux options sont disponibles pour le mode de communication :

Ad hoc : Lorsque l'appareil est défini en mode de communication ad hoc, il communique directement avec d'autres périphériques sans fil, sans passer par un point d'accès sans fil (WAP).

Sur un réseau ad hoc, tous les périphériques doivent :

- être compatibles 802.11,
- être définis sur le mode de communication ad hoc,
- avoir le même nom de réseau SSID,
- se trouver sur le même sous-réseau et sur le même canal,
- avoir les mêmes paramètres de sécurité 802.11.

Infrastructure (recommandé) : Lorsque l'appareil est configuré sur le mode de communication infrastructure, il communique avec d'autres périphériques du réseau, qu'ils soient câblés ou sans fil, par le biais d'un point d'accès sans fil (WAP). Ces points d'accès sont généralement office de routeurs ou de passerelles sur les petits réseaux.

Paramètres de sécurité

Pour connaître les paramètres disponibles pour l'appareil, reportez-vous à la page de configuration réseau de la section « Présentation de la page de configuration » du guide utilisateur à l'écran disponible sur le CD-ROM de démarrage.

Pour plus d'informations sur la sécurité du réseau sans fil, consultez le site web www.weca.net/opensection/pdf/whitepaper_wifi_security4-29-03.pdf.

Authentification réseau : Le paramètre d'usine par défaut de l'appareil est « Ouvert » et ne nécessite pas de sécurité pour les autorisations ou le chiffrement. Les autres valeurs possibles sont Ouvert puis partagé, Partagé et WPA-PSK (Wi-Fi® Protected Access Pre-Shared Key).

- WPA augmente le niveau de protection et de contrôle d'accès radio des données sur les réseaux Wi-Fi existants et futurs. Il résout toutes les défaillances WEP connues, le système de sécurité natif du 802.11 standard.
- WPA2 est le nom du système de sécurité WPA de seconde génération. Il offre aux utilisateurs Wi-Fi professionnels et grand public la garantie que seules les personnes autorisées pourront accéder à leurs réseaux sans fil.

Chiffrement des données :

- Le mécanisme de sécurité WEP (Wired Equivalent Privacy) consiste à chiffrer les données envoyées, par ondes radio, entre deux périphériques sans fil. Les périphériques d'un réseau compatible WEP utilisent des clés WEP pour coder les données. Si votre réseau utilise la technologie WEP, vous devez connaître la (les) clé(s) WEP qu'il utilise.
- WPA utilise le protocole TKIP (Temporal Key Integrity Protocol) pour le chiffrement et l'authentification 802.1X avec l'un des types de protocoles EAP (Extensible Authentication Protocol) standards disponibles actuellement.
- WPA2 propose un nouveau système de chiffrement, l'Advanced Encryption Standard (AES). AES est défini en mode CCM et prend en charge IBSS (Independent Basic Service Set) pour assurer la sécurité entre les stations de travail client fonctionnant en mode ad hoc.

REMARQUES

- Vérifiez que l'appareil n'est pas connecté au réseau à l'aide d'un câble réseau.
- Le périphérique émetteur doit disposer de capacités 802.11 intégrées ou être équipé d'une carte sans fil 802.11.
- HP conseille de placer l'appareil et les périphériques qui l'utilisent sur le même sous-réseau.

Configuration de l'appareil pour la communication sans fil à l'aide du panneau de commande

REMARQUE : Pour utiliser cette méthode, vous devez disposer d'un réseau sans fil en service.

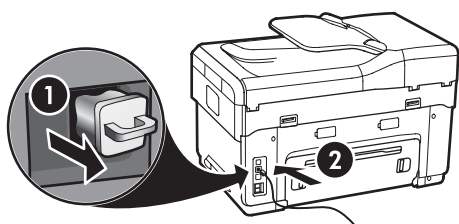
1. Sur le panneau de commande, appuyez sur le bouton **Configurer**.
2. Appuyez sur une touche fléchée pour passer à **Réseau**, puis appuyez sur **OK**.
3. Appuyez sur un bouton fléché pour passer à **l'Assistant de configuration sans fil**, puis appuyez sur **OK**.
4. Suivez les instructions qui apparaissent à l'écran pour terminer l'installation.

En cas de problème, reportez-vous à la section « Résolution des problèmes sans fil (uniquement sur certains modèles) », page 28.

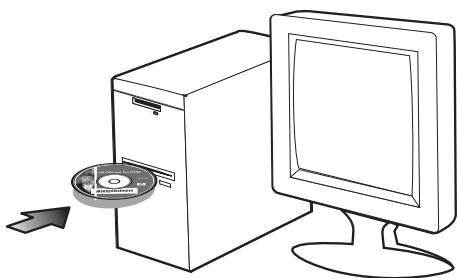
Configuration de l'appareil pour la communication sans fil à l'aide des logiciels

Pour Windows

1. Retirez le cache de protection du connecteur réseau de l'appareil.
2. Connectez temporairement l'appareil à un port disponible du concentrateur réseau, du commutateur ou du routeur à l'aide d'un câble réseau (vendu à part).



3. Fermez toute application en cours d'exécution sur votre ordinateur.
4. Introduisez le CD de démarrage dans le lecteur de CD-ROM. Vous devez exécuter le programme d'installation au moins un fois depuis le CD-ROM de démarrage et créer une connexion sans fil.



Si le menu du CD-ROM ne démarre pas automatiquement, double-cliquez sur l'icône d'installation sur le CD-ROM de démarrage.

5. Dans le menu du CD, cliquez sur **Installer**, puis suivez les instructions à l'écran.
6. Sur l'écran **Type de connexion**, sélectionnez **Sans fil** et cliquez sur **Suivant**.
7. Suivez les instructions affichées pour terminer l'installation et débranchez le câble lorsque vous y êtes invité.

En cas de problème, reportez-vous à la section « Résolution des problèmes sans fil (uniquement sur certains modèles) », page 28.

Pour Mac OS

1. Ouvrez l'Assistant de configuration AirPort, puis suivez les instructions à l'écran pour rejoindre un réseau sans fil existant (hpsetup).
2. Double-cliquez sur l'icône de configuration du CD-ROM de démarrage et suivez les instructions à l'écran.
3. Lorsque vous y êtes invité, cliquez sur **Utilitaire de configuration de l'imprimante** pour ajouter l'appareil.

En cas de problème, reportez-vous à la section « Résolution des problèmes sans fil (uniquement sur certains modèles) », page 28.

6 Dépannage

Cette section présente des suggestions de dépannage pour plusieurs problèmes courants associés à l'installation du matériel et des logiciels.

Pour obtenir des informations de dernière minute, consultez le fichier LisezMoi et les notes sur la version disponibles sur le CD-ROM de démarrage ou visitez le site Web d'assistance pour les produits à l'adresse www.hp.com/support.

Résolution des problèmes d'installation

Cette section présente des suggestions de dépannage pour plusieurs problèmes courants associés à l'installation du matériel et des logiciels.

Suggestions pour l'installation du matériel

Vérification de l'appareil

- Vérifiez que tout le ruban adhésif et l'emballage ont été retirés à l'extérieur et à l'intérieur de l'appareil.
- Assurez-vous que le papier est correctement chargé dans le bac et qu'il n'est pas coincé dans l'appareil.
- Vérifiez qu'aucun voyant n'est allumé ou ne clignote, à l'exception de marche/arrêt, qui doit être allumé. Si le voyant d'avertissement clignote, vérifiez les messages sur le panneau de commande. À la mise sous tension initiale du périphérique, son préchauffage dure environ 45 secondes.
- Assurez-vous que le panneau d'accès arrière ou l'accessoire d'impression recto verso est bien en place.
- Vérifiez que l'appareil peut imprimer une page de diagnostics de l'autotest. Pour plus d'informations, reportez-vous à la section « Page de diagnostic d'autotest », page 32.

Vérification des connexions matérielles

- Vérifiez que les cordons et câbles que vous utilisez sont en bon état.
- Vérifiez que le cordon d'alimentation est correctement branché sur l'appareil et sur une prise de courant fonctionnelle.
- Vérifiez que le câble téléphonique est branché sur le port 1-LINE.

Vérification des têtes d'impression et des cartouches d'encre

- Assurez-vous d'avoir retiré les capuchons oranges des têtes d'impression.
- Vérifiez que toutes les têtes d'impression et cartouches d'encre sont correctement installées dans l'emplacement correspondant. Appuyez fermement sur chacune d'elles pour assurer un bon contact. L'appareil ne peut pas fonctionner si elles ne sont pas installées.
- Assurez-vous que le loquet d'accès aux têtes d'impression et tous les capots sont fermés.
- Si l'écran affiche un message d'erreur de tête d'impression, nettoyez les contacts des têtes. Pour plus d'informations, reportez-vous au guide utilisateur à l'écran disponible sur le CD-ROM de démarrage.

Suggestions pour l'installation du logiciel

Vérification de l'ordinateur

- Vérifiez que votre ordinateur utilise un des systèmes d'exploitation pris en charge. Pour plus d'informations, reportez-vous au guide utilisateur à l'écran disponible sur le CD-ROM de démarrage.
- Assurez-vous que l'ordinateur respecte au moins la configuration minimale requise. Pour plus d'informations, reportez-vous au guide utilisateur à l'écran disponible sur le CD-ROM de démarrage.

Vérification des étapes préalables à l'installation

- Prenez soin d'utiliser le CD-ROM de démarrage contenant les logiciels d'installation corrects pour votre système d'exploitation.
- Avant d'installer le logiciel, assurez-vous que tous les autres programmes sont fermés.
- Si l'ordinateur ne reconnaît pas le chemin d'accès que vous avez indiqué pour le lecteur de CD-ROM, vérifiez que vous avez spécifié la lettre d'unité correcte.
- Si votre ordinateur n'arrive pas à lire le CD-ROM de démarrage placé dans le lecteur de CD-ROM, vérifiez si le CD-ROM n'est pas endommagé. Vous pouvez télécharger le pilote de l'appareil sur le site www.hp.com/support.
- Dans le gestionnaire de périphériques de Windows, vérifiez que les pilotes USB ont été désactivés.
- Si vous utilisez un ordinateur fonctionnant sous Windows et si ce dernier ne parvient pas à détecter le périphérique, exécutez l'utilitaire de désinstallation (util\ccc\uninstall.bat sur le CD-ROM de démarrage) pour effectuer une désinstallation complète du pilote du périphérique. Redémarrez l'ordinateur et réinstallez le pilote du périphérique.

Résolution des problèmes de réseau (uniquement sur certains modèles)

REMARQUE : Après avoir résolu l'un des problèmes répertoriés ci-dessous, exécutez à nouveau le programme d'installation.

Résolution des problèmes réseau

- Si vous ne parvenez pas à installer les logiciels de l'appareil, vérifiez les points suivants :
 - Tous les câbles connectés à l'appareil et à l'ordinateur sont bien branchés.
 - Le réseau est opérationnel et le concentrateur réseau est sous tension.
 - Toutes les applications, y compris les programmes anti-virus, les programmes anti-logiciel espion et les pare-feu, sont fermés ou désactivés sur les ordinateurs fonctionnant sous Windows.

- Vérifiez que l'appareil et les ordinateurs qui l'utilisent sont installés sur le même sous-réseau.
- Si le programme d'installation ne parvient pas à détecter l'appareil, imprimez la page de configuration réseau (voir la section « Pour imprimer la page de configuration réseau », page 32) et saisissez manuellement l'adresse IP dans le programme d'installation.
- Si votre ordinateur fonctionne sous Windows, assurez-vous que les ports réseau créés dans le pilote de l'appareil correspondent à l'adresse IP de cet appareil :
 - 1) Imprimez la page de configuration réseau de l'appareil.
 - 2) Dans le bureau de Windows, cliquez sur **Démarrer**, pointez sur **Paramètres**, puis cliquez sur **Imprimantes** ou sur **Imprimantes et télécopieurs**.

Ou

Cliquez sur **Démarrer**, puis sur **Panneau de configuration** et double-cliquez sur **Imprimantes**.
3) Cliquez avec le bouton droit sur l'icône de l'appareil et cliquez sur **Propriétés**, puis sur l'onglet **Ports**.

Ou

Cliquez avec le bouton droit sur l'icône de l'appareil et cliquez sur **Exécuter comme administrateur**, puis sur **Propriétés**, **Continue** et enfin sur l'onglet **Ports**.
4) Sélectionnez le port TCP/IP de l'appareil, puis cliquez sur **Configurer le port**.
5) Assurez-vous que l'adresse IP affichée dans la boîte de dialogue correspond à celle figurant sur la page de configuration réseau. Si les deux adresses IP sont différentes, modifiez celle qui est indiquée dans la boîte de dialogue.
6) Cliquez deux fois sur **OK** pour enregistrer les paramètres et fermer les boîtes de dialogue.

Problèmes lors d'une connexion à un réseau câblé

- Si le voyant de liaison du connecteur réseau ne s'allume pas, assurez-vous que toutes les conditions exposées dans la section « Résolution des problèmes réseau » sont réunies.
- Bien qu'il soit déconseillé d'attribuer une adresse IP statique à l'appareil, cette opération peut vous permettre de résoudre certains problèmes d'installation (un conflit avec un pare-feu personnel, par exemple). Pour plus d'informations, reportez-vous au guide utilisateur à l'écran disponible sur le CD-ROM de démarrage.

Résolution des problèmes sans fil (uniquement sur certains modèles)

Si l'appareil n'arrive pas à communiquer avec le réseau une fois la configuration sans fil terminée et les logiciels installés, exécutez l'une ou plusieurs des procédures suivantes :

Vérification des paramètres de communication sans fil

- Vérifiez que la carte réseau sans fil de l'ordinateur est configurée sur le profil sans fil approprié. Un profil sans fil est un ensemble de paramètres réseau propres à un réseau donné. Une carte sans fil unique peut avoir plusieurs profils sans fil (par exemple, un pour un réseau privé et l'autre pour un réseau de bureau). Ouvrez l'utilitaire de configuration de la carte réseau installée sur l'ordinateur et vérifiez que le profil sélectionné est celui du réseau de l'appareil.
- Assurez-vous que les paramètres réseau de l'appareil correspondent à ceux de votre réseau. Exécutez l'une des opérations suivantes pour rechercher les paramètres de votre réseau :
 - **Communication infrastructure** : ouvrez l'utilitaire de configuration du point d'accès sans fil (WAP).
 - **Communication ad hoc** : ouvrez l'utilitaire de configuration de la carte réseau installée sur l'ordinateur.
- Comparez les paramètres du réseau avec ceux qui figurent sur la page de configuration réseau de l'appareil (reportez-vous à la section « Pour imprimer la page de configuration réseau », page 32) et prenez note des éventuelles différences. Plusieurs problèmes peuvent se présenter :
 - Le WAP filtre les adresses matérielles (adresses MAC). Voir « Ajout d'adresses matérielles à un point d'accès sans fil (WAP) », page 28.
 - Un des paramètres suivants de l'appareil est incorrect : mode de communication, nom du réseau (SSID), canal (réseaux ad hoc uniquement), type d'authentification, chiffrement. Voir « Présentation des paramètres du réseau sans fil 802.11 », page 23.

- Imprimez un document. Si le document ne s'imprime toujours pas, réinitialisez les paramètres réseau de l'appareil (reportez-vous à la section « Réinitialisation des paramètres de la configuration réseau », page 29) et réinstallez le logiciel de l'appareil.

Si les paramètres du réseau sans fil sont corrects, il se peut que l'ordinateur soit associé à un autre réseau sans fil. Assurez-vous que l'ordinateur et l'appareil sont associés au même réseau sans fil.

Pour ce faire, chaque utilisateur peut vérifier les paramètres réseau sans fil définis sur son ordinateur. Assurez-vous également que les ordinateurs ont accès au réseau sans fil.

Si les paramètres réseau sans fil de l'appareil sont incorrects, procédez comme suit pour les corriger :

1. Connectez l'appareil au réseau ou à l'ordinateur à l'aide d'un câble réseau.
2. Ouvrez le serveur Web intégré de l'appareil.
3. Cliquez sur l'onglet **Réseau**, puis sur **Sans fil (802.11)** dans le panneau de gauche.
4. Utilisez l'Assistant de configuration sans fil de l'onglet Configuration sans fil pour modifier les paramètres de l'appareil en fonction de ceux du réseau.
5. Fermez le serveur Web intégré de l'appareil, puis débranchez le câble réseau de ce dernier.
6. Désinstallez complètement le logiciel de l'appareil, puis réinstallez-le.

Ajout d'adresses matérielles à un point d'accès sans fil (WAP)

Le filtrage MAC est une fonction de sécurité via laquelle un point d'accès sans fil (WAP) est configuré dans une liste d'adresses MAC (appelées également « adresses matérielles ») de périphériques autorisés à accéder au réseau via le WAP. Si le point d'accès sans fil (WAP) ne connaît pas l'adresse matérielle d'un périphérique qui tente d'accéder au réseau, il lui refuse l'accès. Si le point d'accès sans fil filtre les adresses MAC, l'adresse MAC de l'appareil doit être ajoutée à la liste des adresses MAC acceptées du point d'accès.

1. Imprimez la page de configuration réseau. Voir « Pour imprimer la page de configuration réseau », page 32.
2. Ouvrez l'utilitaire de configuration du point d'accès sans fil, puis ajoutez l'adresse matérielle de l'appareil à la liste des adresses MAC acceptées.

Réinitialisation des paramètres de la configuration réseau

Si l'appareil ne parvient toujours pas à communiquer avec le réseau, réinitialisez ses paramètres réseau.

1. Appuyez sur **Configurer**. Appuyez sur une touche fléchée pour passer à **Réseau**, puis appuyez sur **OK**.
2. Appuyez sur une bouton fléché pour accéder à l'option **Rétablissement des paramètres réseau par défaut**, puis appuyez sur **OK**.
3. Imprimez la page de configuration réseau et vérifiez que les paramètres du réseau ont été réinitialisés. Voir « Pour imprimer la page de configuration réseau », page 32.

Par défaut, le nom de réseau SSID est « hpsetup » et le mode de communication est défini sur « ad hoc ».

Résolution des problèmes d'archivage numérique (facultatif)

Impossible de numériser vers le dossier réseau

REMARQUE : La fonction d'archivage numérique ne prend pas en charge Windows Active Directory.

Le périphérique n'est pas correctement configuré sur le réseau

Vérifiez que le périphérique est correctement configuré et connecté au réseau. Soumettez une requête PING au périphérique et vérifiez qu'il répond.

Le dossier réseau n'a pas été correctement configuré

- Vérifiez que le dossier est créé sur le serveur. Pour plus d'informations, consultez la documentation disponible pour votre système d'exploitation.
- Vérifiez que le nom du dossier ne comporte que les lettres A à Z (majuscules ou minuscules) et les chiffres 1 à 9.
- Certains signes de ponctuation courants sont également pris en charge. Cependant, n'utilisez pas de caractères accentués ou spéciaux dans le nom du dossier.

- Vérifiez que le dossier a été partagé et que les utilisateurs peuvent lire et écrire dans le dossier. Pour plus d'informations, consultez la documentation disponible pour votre système d'exploitation.
- Vérifiez que le nom du dossier est correctement saisi dans le serveur Web intégré (EWS) et que le nom d'utilisateur et le mot de passe sont également correctement saisis. Pour en savoir plus, reportez-vous aux informations présentées dans le serveur Web intégré.

Le disque est plein

Vérifiez que le serveur contenant le dossier dispose de suffisamment d'espace disque disponible.

Le périphérique ne peut pas créer un nom de fichier unique en utilisant le préfixe et le suffixe affectés

Le périphérique peut créer jusqu'à 9 999 fichiers en utilisant les mêmes préfixe et suffixe. Si vous avez numérisé un trop grand nombre de fichiers dans un dossier, modifiez le préfixe.

Le préfixe du nom de fichier n'a pas été correctement défini

Vérifiez que le nom de dossier et le préfixe du nom de fichier utilisent uniquement les lettres A à Z, majuscules ou minuscules, et les chiffres 1 à 9. Certains signes de ponctuation courants sont également pris en charge. Cependant, n'utilisez pas de caractères accentués ou spéciaux dans le nom du dossier. Si des caractères non pris en charge sont utilisés dans les préfixes des noms de fichiers, ils n'apparaîtront pas correctement lors de la création du fichier.

Le nom du serveur ne peut pas être résolu

L'envoi au dossier réseau pourrait échouer si le nom de serveur fourni pendant la configuration ne peut pas être résolu à une adresse IP spécifique. Lors de la configuration de la fonction Archivage numérique, procédez comme suit :

- Essayez d'utiliser des noms DNS complets.
- Vérifiez que le serveur DNS est correctement configuré sur le périphérique.

ASTUCE : Si vous avez récemment modifié les paramètres DNS, désactivez puis activez l'appareil tout-en-un.

Résolution des problèmes de télécopie (facultatif)

Si vous avez effectué un test du télécopieur et que celui-ci a échoué, consultez le rapport de test pour connaître les solutions possibles. Pour plus d'informations, reportez-vous au guide utilisateur à l'écran disponible sur le CD-ROM de démarrage.

L'appareil rencontre des difficultés pour envoyer et recevoir des télécopies

Vérifiez que vous utilisez le cordon téléphonique fourni avec le périphérique.

Un autre équipement utilise la même ligne téléphonique que le périphérique en ce moment. Vérifiez que les téléphones secondaires (téléphones sur la même ligne téléphonique mais non connectés à l'appareil) ou d'autres équipements ne sont pas utilisés ou décrochés. Par exemple, vous ne pouvez pas utiliser la fonction de télécopie du périphérique si un poste téléphonique est décroché ou si vous vous servez du modem de l'ordinateur pour accéder à Internet ou utiliser votre messagerie électronique.

Si vous utilisez un séparateur téléphonique, celui-ci peut être à l'origine des problèmes de télécopie. Essayez de connecter directement l'appareil à la prise téléphonique murale.

Vérifiez qu'une extrémité du cordon téléphonique est raccordée à la prise téléphonique murale et que l'autre est branchée sur le port 1-LINE situé à l'arrière de l'appareil.

Essayez de brancher un téléphone en état de marche directement sur la prise téléphonique murale et vérifiez s'il y a une tonalité. Si vous n'entendez pas de tonalité, contactez la compagnie de téléphone afin de faire vérifier la ligne.

Vous devez connecter l'appareil à une ligne téléphonique analogique, sinon vous ne pourrez ni envoyer ni recevoir de télécopies. Pour vérifier si votre ligne téléphonique est numérique, branchez un téléphone analogique classique sur la ligne et vérifiez la présence d'une tonalité. Si la tonalité n'est pas normale, votre ligne téléphonique est probablement configurée pour des téléphones numériques. Connectez le périphérique à une ligne téléphonique analogique et essayez d'envoyer ou de recevoir une télécopie.

La ligne téléphonique peut être perturbée par des interférences. Les lignes téléphoniques de mauvaise qualité acoustique (bruit) risquent de causer des problèmes de télécopie. Contrôlez la qualité acoustique de la ligne téléphonique en branchant un téléphone sur la prise murale et en écoutant les éventuels bruits de fond. Si vous entendez du bruit, désactivez le **mode de correction d'erreurs (ECM)** et essayez à nouveau d'envoyer une télécopie.

Si vous utilisez un service de DSL, assurez-vous d'avoir installé un filtre DSL. Sans ce filtre, vous ne parviendrez pas à envoyer de télécopies.

Si vous utilisez un adaptateur pour terminal/convertisseur pour autocommutateur privé (PABX) ou réseau numérique à intégration de services (RNIS), vérifiez que le périphérique est connecté au port approprié et que l'adaptateur du terminal est défini sur le type approprié de commutateur pour votre pays/région.

L'appareil ne parvient pas à envoyer de télécopies mais bien à en recevoir	Si vous n'utilisez pas de service de sonnerie distincte, assurez-vous que la fonction Sonnerie distincte de l'appareil est réglée sur Toutes sonneries .
	Si Réponse auto. est configuré sur Désactivé ou si vous disposez d'un service de boîte vocale sur la ligne téléphonique utilisée pour les appels de télécopie, vous pourrez uniquement recevoir les télécopies manuellement.
	Si un modem d'ordinateur partage la ligne téléphonique du périphérique, assurez-vous que le logiciel qui accompagne le modem n'est pas configuré pour recevoir automatiquement les télécopies.
	<p>Si un répondeur partage la ligne téléphonique de l'appareil, procédez comme suit :</p> <ul style="list-style-type: none"> • Vérifiez que le répondeur fonctionne correctement. • Vérifiez que votre configuration ressemble à celle présentée dans le deuxième exemple du Tableau 3-1, page 13. • Assurez-vous que le périphérique est configuré pour la réception automatique des télécopies. • Vérifiez que le paramètre Sonn. avant rép. est défini sur un nombre de sonneries plus important que celui du répondeur. • Déconnectez le répondeur et essayez de recevoir une télécopie. • L'annonce doit être d'une durée approximative de 10 secondes. Parlez lentement et doucement lorsque vous enregistrez l'annonce. Laissez un silence d'au moins 5 secondes à la fin du message vocal.
	Un autre équipement utilisant la même ligne téléphonique que l'appareil peut être à l'origine de l'échec du test. Vous pouvez débrancher tous les autres périphériques et recommencer le test. Si le test de détection de la tonalité réussit, cela signifie qu'un ou plusieurs des autres périphériques sont à l'origine du problème. Rebranchez-les un par un et exécutez le test après chaque branchement afin d'identifier celui qui pose problème.
L'appareil ne parvient pas à envoyer de télécopies mais bien à en recevoir	Le périphérique numérote trop vite ou trop tôt. Par exemple, si vous devez composer le « 9 » pour accéder à une ligne extérieure, essayez d'introduire des pauses, comme suit : 9-XXX-XXXX (où XXX-XXXX est le numéro de télécopieur de destination). Pour introduire une pause, appuyez sur Bis/Pause ou appuyez plusieurs fois sur le bouton Espace (#) jusqu'à ce qu'un tiret (-) apparaisse à l'écran.
L'écran indique toujours que le combiné est décroché	Vous utilisez un mauvais cordon téléphonique. Reportez-vous aux deux premiers problèmes de la section « L'appareil rencontre des difficultés pour envoyer et recevoir des télécopies », page 30.
L'appareil rencontre des difficultés pour envoyer des télécopies manuellement	<p>Cette solution n'est valable que dans les pays et régions dans lesquels un cordon à 2 fils est fourni avec le périphérique, notamment : Argentine, Australie, Brésil, Canada, Chili, Chine, Colombie, Grèce, Inde, Indonésie, Irlande, Japon, Corée, Amérique latine, Malaisie, Mexique, Philippines, Pologne, Portugal, Russie, Arabie Saoudite, Singapour, Espagne, Taïwan, Thaïlande, États-Unis, Venezuela et Vietnam.</p> <p>Vérifiez que votre configuration ressemble à celle présentée dans le premier exemple du Tableau 3-1, page 13.</p> <p>Si vous envoyez une télécopie en mode manuel à partir du téléphone connecté directement au périphérique, vous devez utiliser le clavier numérique du téléphone.</p>
Des tonalités de télécopie sont enregistrées sur mon répondeur téléphonique	Reportez-vous au quatrième problème de la section « L'appareil ne parvient pas à envoyer de télécopies mais bien à en recevoir », page 31.

Le cordon téléphonique fourni avec l'appareil n'est pas suffisamment long

Si le cordon téléphonique fourni avec le périphérique n'est pas assez long, vous pouvez utiliser un coupleur pour le prolonger. Vous trouverez des coupleurs dans les magasins d'électronique qui proposent des accessoires de téléphonie. Vous avez également besoin d'un autre cordon téléphonique. Il peut s'agir d'un cordon téléphonique standard que vous possédez éventuellement chez vous ou à votre bureau.

1. Utilisez le cordon téléphonique fourni avec l'appareil : connectez l'une des extrémités au coupleur et l'autre au port 1-LINE situé à l'arrière de l'appareil.
 2. Connectez un deuxième cordon téléphonique au port ouvert du coupleur et à la prise téléphonique murale.
-

Outils de dépannage et de configuration

Les outils suivants sont à votre disposition pour dépanner ou configurer l'appareil. Pour plus d'informations, reportez-vous au guide utilisateur à l'écran disponible sur le CD-ROM de démarrage.

Page de diagnostic d'autotest

Utilisez la page de diagnostic d'autotest pour voir les paramètres actuels de l'appareil, résoudre les problèmes de l'appareil et vérifier l'installation des accessoires en option, tels l'unité recto verso. La page de diagnostics d'autotest contient également un journal des événements récents. Si vous devez appeler HP, imprimez d'abord la page de diagnostic d'autotest.

Pour imprimer la page de diagnostic d'autotest

1. Sur le panneau de commande, appuyez sur le bouton **Configurer**.
2. Sélectionnez **Imprimer rapport**, puis **Rapport d'auto-test** et appuyez sur **OK**.

Page de configuration réseau

Si l'appareil est connecté à un réseau, vous pouvez imprimer une page de configuration réseau pour voir les paramètres réseau de l'appareil. Vous pouvez utiliser la page de configuration réseau pour résoudre les problèmes de connectivité du réseau.

Pour imprimer la page de configuration réseau

1. Sur le panneau de commande, appuyez sur le bouton **Configurer**.
2. Si l'appareil possède un affichage texte sur deux lignes, sélectionnez **Configuration réseau**, puis **Impression des paramètres réseau** et appuyez sur **OK**.

Si l'appareil possède un affichage couleur, sélectionnez **Réseau**, puis **Afficher les paramètres**

réseau et **Imprimer la page de configuration réseau**, puis appuyez sur **OK**.

Serveur Web intégré

Un serveur Web fournit un environnement pour l'exécution de programmes Web, de la même manière qu'un système d'exploitation tel que Microsoft® Windows® propose un environnement pour l'exécution de programmes sur votre ordinateur. Un navigateur web, comme Microsoft Internet Explorer, Netscape, Opera, Mozilla Firefox ou Safari, permet d'afficher les sorties d'un serveur Web.

Un serveur Web intégré (EWS) réside sur un produit matériel (imprimante, par exemple) ou dans le micrologiciel, plutôt qu'en tant que logiciel chargé sur un serveur du réseau. L'avantage des serveurs Web intégrés est qu'ils fournissent une interface avec le produit accessible à toute personne disposant d'un ordinateur connecté au réseau et d'un navigateur Web standard. Aucun logiciel spécial ne doit être installé ou configuré.

Le serveur Web intégré HP vous permet d'afficher des informations sur l'état, de modifier des paramètres et de commander l'appareil à partir de votre ordinateur.

Pour ouvrir le serveur Web intégré

Saisissez l'adresse IP affectée à l'appareil dans le champ d'adresse d'un navigateur Web pris en charge par votre ordinateur. Par exemple, si l'adresse IP est 123.123.123.123, entrez l'adresse suivante dans le navigateur Web :

`http://123.123.123.123`

L'adresse IP de l'appareil figure sur la page de configuration réseau.

Après avoir ouvert le serveur Web intégré, vous pouvez lui affecter un signet en vue d'y accéder rapidement à l'avenir.

Déclaration de garantie limitée Hewlett-Packard

Produit HP	Durée de la garantie limitée
Supports logiciels	90 jours
Imprimante	1 an
Cartouches d'encre	Jusqu'à épuisement de l'encre HP ou jusqu'à expiration de la date de garantie imprimée sur la cartouche (selon le cas qui se produira en premier). Cette garantie ne couvre pas les produits utilisant de l'encre HP qui ont été reconditionnés, mal utilisés ou altérés.
Accessoires	1 an, sauf indication contraire

A. Extension de garantie limitée

- Hewlett-Packard (HP) garantit au client utilisateur final que les produits HP décrits précédemment sont exempts de défauts de matériaux et malfaçons pendant la durée indiquée ci-dessus, à compter de la date d'achat par le client.
- Pour les logiciels, la garantie limitée HP est valable uniquement en cas d'impossibilité d'exécuter les instructions de programmation. HP ne garantit pas que le fonctionnement du logiciel ne connaîtra pas d'interruptions ni d'erreurs.
- La garantie limitée HP ne couvre que les défauts qui apparaissent dans le cadre de l'utilisation normale du produit et ne couvre aucun autre problème, y compris ceux qui surviennent du fait :
 - d'une mauvaise maintenance ou d'une modification ;
 - de logiciels, de supports, de pièces ou de consommables non fournis ou non pris en charge par HP ;
 - du fonctionnement du produit hors de ses caractéristiques ; ou
 - d'une modification non autorisée ou d'une mauvaise utilisation.
- Pour les imprimantes HP, l'utilisation d'une cartouche d'un autre fournisseur ou d'une cartouche rechargée n'entraîne pas la résiliation de la garantie ni d'un contrat de support HP. Toutefois, si la panne ou les dégâts peuvent être attribués à l'utilisation d'une cartouche d'un autre fournisseur, d'une cartouche rechargée ou d'une cartouche périmée, HP facturera les montants correspondant au temps et au matériel nécessaires à la réparation de l'imprimante.
- Si, pendant la période de garantie applicable, HP est informé d'une défaillance concernant un produit couvert par la garantie HP, HP choisira de réparer ou de remplacer le produit défectueux.
- Si HP est dans l'incapacité de réparer ou de remplacer, selon le cas, un produit défectueux couvert par la garantie HP, HP devra, dans un délai raisonnable après avoir été informé du défaut, rembourser le prix d'achat du produit.
- HP ne sera tenu à aucune obligation de réparation, de remplacement ou de remboursement tant que le client n'aura pas retourné le produit défectueux à HP.
- Tout produit de remplacement peut être neuf ou comme neuf, pourvu que ses fonctionnalités soient au moins équivalentes à celles du produit remplacé.
- Les produits HP peuvent contenir des pièces, des composants ou des matériels reconditionnés équivalents à des neufs en termes de performances.
- La garantie limitée HP est valable dans tout pays dans lequel le produit HP couvert est distribué par HP. Des contrats apportant des services de garantie supplémentaires, tels que la réparation sur site, sont disponibles auprès des services de maintenance agréés par HP dans les pays dans lequel le produit est distribué par HP ou par un importateur agréé.

B. Restrictions de garantie

DANS LA MESURE OÙ LES LOIS LOCALES L'AUTORISENT, HP OU SES FOURNISSEURS TIERS NE FONT AUCUNE AUTRE GARANTIE OU CONDITION, EXPRESSE OU IMPLICITE, EN CE QUI CONCERNE LES PRODUITS HP ET NIENT TOUTE GARANTIE IMPLICITE DE COMMERCIALISATION, DE QUALITÉ SATISFAISANTE OU D'ADAPTATION À UN BUT PARTICULIER.

C. Restrictions de responsabilité

- Dans la mesure où les lois locales l'autorisent, les recours énoncés dans cette déclaration de garantie constituent les recours exclusifs du client.
- DANS LA MESURE OÙ LES LOIS LOCALES L'AUTORISENT, EXCEPTION FAITE DES OBLIGATIONS SPÉCIFIQUEMENT ÉNONCÉES DANS LA PRÉSENTE DÉCLARATION DE GARANTIE, HP OU SES FOURNISSEURS TIERS NE POURRONT ÊTRE TENUS POUR RESPONSABLES DE DOMMAGES DIRECTS, INDIRECTS, SPÉCIAUX OU ACCIDENTELS, QU'ILS SOIENT BASÉS SUR UN CONTRAT, UN PRÉJUDICE OU TOUTE AUTRE THÉORIE LÉGALE, QUE CES DOMMAGES SOIENT RÉPUTÉS POSSIBLES OU NON.

D. Lois locales

- Cette déclaration de garantie donne au client des droits juridiques spécifiques. Le client peut également posséder d'autres droits selon les états des États-Unis, les provinces du Canada, et les autres pays ou régions du monde.
- Si cette déclaration de garantie est incompatible avec les lois locales, elle sera considérée comme étant modifiée pour être conforme à la loi locale. Selon ces lois locales, certaines renonciations et limitations de cette déclaration de garantie peuvent ne pas s'appliquer au client. Par exemple, certains états des États-Unis, ainsi que certains gouvernements hors des États-Unis (y compris certaines provinces du Canada), peuvent :
 - exclure les renonciations et limitations de cette déclaration de garantie des droits statutaires d'un client (par exemple au Royaume-Uni);
 - restreindre d'une autre manière la possibilité pour un fabricant d'imposer ces renonciations et limitations ; ou
 - accorder au client des droits de garantie supplémentaires, spécifier la durée des garanties implicites que le fabricant ne peut nier, ou ne pas autoriser les limitations portant sur la durée des garanties implicites.
- EXCEPTÉ DANS LA MESURE AUTORISÉE PAR LA LÉGISLATION, LES TERMES DE LA PRÉSENTE DÉCLARATION DE GARANTIE N'EXCLUENT, NE LIMITENT NI NE MODIFIENT LES DROITS STATUTAIRES OBLIGATOIRES APPLICABLES À LA VENTE DES PRODUITS HP AUXDITS CLIENTS, MAIS VIENNENT S'Y AJOUTER.

Garantie du fabricant HP

Cher client,

Vous trouverez, ci-après, les coordonnées de l'entité HP responsable de l'exécution de la garantie fabricant relative à votre matériel HP dans votre pays.

En vertu de votre contrat d'achat, il se peut que vous disposiez de droits légaux supplémentaires à l'encontre de votre vendeur. Ceux-ci ne sont aucunement affectés par la présente garantie du fabricant HP.

En particulier, si vous êtes un consommateur domicilié en France (départements et territoires d'outre-mer (DOM-TOM) inclus dans la limite des textes qui leur sont applicables), le vendeur reste tenu à votre égard des défauts de conformité du bien au contrat et des vices rédhibitoires hhdans les conditions prévues aux articles 1641 à 1649 du Code civil.

Code de la consommation :

"Art. L. 211-4. - Le vendeur est tenu de livrer un bien conforme au contrat et répond des défauts de conformité existant lors de la délivrance.

Il répond également des défauts de conformité résultant de l'emballage, des instructions de montage ou de l'installation lorsque celle-ci a été mise à sa charge par le contrat ou a été réalisée sous sa responsabilité."

"Art. L. 211-5. - Pour être conforme au contrat, le bien doit :

1° Être propre à l'usage habituellement attendu d'un bien semblable et, le cas échéant correspondre à la description donnée par le vendeur et posséder les qualités que celui-ci a présentées à l'acheteur sous forme d'échantillon ou de modèle ;

- présenter les qualités qu'un acheteur peut légitimement attendre eu égard aux déclarations publiques faites par le vendeur, par le producteur ou par son représentant, notamment dans la publicité ou l'étiquetage ;

2° Ou présenter les caractéristiques définies d'un commun accord par les parties ou être propre à tout usage spécial recherché par l'acheteur, porté à la connaissance du vendeur et que ce dernier a accepté."

Code civil :

"Code civil Article 1641 : Le vendeur est tenu de la garantie à raison des défauts cachés de la chose vendue qui la rendent impropre à l'usage auquel on la destine, ou qui diminuent tellement cet usage, que l'acheteur ne l'aurait pas acquise, ou n'en aurait donné qu'un moindre prix, s'il les avait connus.

"Code civil Article 1648 : L'action résultant des vices rédhibitoires doit être intentée par l'acquéreur dans un délai de deux ans à compter de la découverte du vice."

France : Hewlett-Packard France, SAS, 80, rue Camille Desmoulins, 92788 Issy les Moulineaux Cedex 9

Belgique : Hewlett-Packard Belgium BVBA/SPRL, 1, rue de l'Aéronet, B-1140 Brussels

Luxembourg : Hewlett-Packard Luxembourg SCA, 7a, rue Robert Stümper, L-2557 Luxembourg-Gasperich

Contenido

1 Configure el dispositivo		6 Solución de problemas	
Antes de comenzar	2	Solución de problemas de instalación	26
Configure el dispositivo	2	Solución de problemas de red (sólo en algunos modelos)	27
Finalice la instalación	4	Solución de problemas inalámbricos (sólo en algunos modelos)	28
Más información	5	Solución de problemas del archivado digital (opcional)	29
2 Identificar las piezas del dispositivo		Solución de problemas de fax (opcional)	30
Vista frontal	6	Solución de problemas y herramientas de configuración.	32
Vista posterior	7		
Panel de control	8		
3 Configurar el fax (opcional)			
Sistemas telefónicos en serie y en paralelo	10		
Línea telefónica dedicada	11		
Línea telefónica compartida	12		
Administración y configuración del fax	17		
Configuración de entradas de marcación rápida	17		
Prueba de la configuración de fax	17		
4 Configurar el Archivado digital para el escaneo (opcional)			
Información requerida	20		
Paso 1: crear y compartir una carpeta en la red	21		
Paso 2: configure un acceso directo para la carpeta en la red	21		
Paso 3: pruebe y utilice el Archivado digital	22		
5 Configuración del dispositivo para la comunicación inalámbrica (opcional)			
Información requerida	23		
Información sobre la configuración de red inalámbrica 802.11	23		
Configure el dispositivo para la comunicación inalámbrica mediante el panel de control	24		
Configure el dispositivo para la comunicación inalámbrica mediante software	25		

Declaración de garantía limitada de Hewlett-Packard

1 Configure el dispositivo

Esta sección resume el proceso de configuración del dispositivo.

Antes de comenzar

Prepare la ubicación

Asegúrese de que la ubicación para el dispositivo cumpla con los siguientes requisitos:

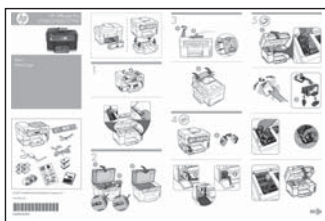
- La superficie debe ser resistente y estar nivelada.
- Asegúrese de tener espacio suficiente para tener un acceso despejado a la parte posterior del dispositivo y para abrir la tapa del escáner de superficie plana.
- No coloque el dispositivo a la luz del sol directa ni cerca de productos químicos. Asegúrese de que en el lugar no ocurran cambios drásticos en la temperatura o en la humedad.

Temperatura	15° a 35° C (59° a 95° F)
-------------	---------------------------

Humedad relativa	Del 10 al 80%
------------------	---------------

Configure el dispositivo

Esta sección resume los pasos que debe seguir para configurar el dispositivo. Para obtener más información, consulte el póster de configuración que viene con el dispositivo.



NOTA: Verifique el contenido del paquete e instale los accesorios opcionales.

1. Retire la cinta y los materiales de embalaje.

NOTA: asegúrese de sacar el material de embalaje de cartón del área para el cabezal de impresión.

2. Instale la plantilla del panel de control.
3. Instale la bandeja del alimentador de documentos.
4. Instale los cartuchos de tinta.

NOTA: para que el dispositivo funcione, los cuatro cartuchos de tinta deben estar instalados correctamente. La tinta de los cartuchos se usa en el proceso de impresión de diversas formas, que incluyen el proceso de inicialización, donde se prepara el dispositivo y los cartuchos para la impresión y el servicio de los cabezales de impresión, que mantiene los inyectores de tinta despejados y permite que la tinta fluya sin problemas. Además, se deja un poco de tinta residual en el cartucho después de su uso. Para obtener más información, consulte la página Web www.hp.com/go/inkusage.

5. Instale los cabezales de impresión.

PRECAUCIÓN: presione firmemente los cabezales de impresión para asegurar un contacto adecuado antes de cerrar el seguro del cabezal de impresión.

6. Conecte el cable de alimentación y el adaptador y encienda el dispositivo.

NOTA: Configure en la pantalla el idioma y el país/región (si es necesario), además de la fecha y la hora.

7. Cuando se le solicite, cargue el papel y luego pulse el botón Aceptar.
 - a. Suelte la bandeja de salida.
 - b. Inserte hasta 250 hojas de papel en la bandeja 1, con la cara de impresión hacia abajo, a la derecha de la bandeja. Asegúrese de que la pila de papel se alinee con los bordes del lado derecho y posterior de la bandeja y que no exceda la marca de línea de la bandeja.

NOTA: La bandeja 2 se puede cargar sólo con papel normal.

- c. Deslice las guías de sustrato de la bandeja según el tamaño del papel que cargue.
- d. Baje la bandeja de salida y tire de la extensión.

El dispositivo inicializa y alinea los cabezales para garantizar la mejor calidad de impresión posible. Este proceso dura aproximadamente 12 minutos.

8. Instale el software y conecte el dispositivo. Puede conectar el dispositivo mediante una de las siguientes conexiones:
 - USB (bus serie universal)
 - Red Ethernet (sólo algunos modelos).
 - Red inalámbrica (802.11) (sólo algunos modelos).
 - Fax (sólo algunos modelos).

Para obtener mayor información acerca del software y la conectividad del dispositivo, consulte la guía del usuario en pantalla del Starter CD.

USB (bus serie universal)

- a. Inserte el Starter CD, haga clic en **Instalar** (Windows) o en **Instalar software** (Mac OS) y siga las instrucciones que aparecen en pantalla para realizar la instalación del software.

NOTA: si el menú del CD no se inicia automáticamente, haga doble clic en el icono de configuración del Starter CD.

- b. Conecte el cable USB al equipo cuando se le indique.

Red Ethernet

- a. Retire la cubierta protectora del conector de red del dispositivo.
- b. Conecte el cable de red al conector y a un puerto disponible del hub, conmutador o enrutador de red. Si la luz de enlace del conector no se enciende, intente con un puerto diferente.

PRECAUCIÓN: no enchufe el cable de red en un puerto con la etiqueta WAN, Uplink o Internet en el hub, conmutador o enrutador de red.

- c. Inserte el Starter CD, haga clic en **Instalar** (Windows) o en **Instalar software** (Mac OS) y siga las instrucciones que aparecen en pantalla para realizar la instalación del software.

Si el programa de instalación muestra más de una versión del dispositivo, imprima una página de configuración de red para seleccionar el dispositivo correcto.

NOTA: si el menú del CD no se inicia automáticamente, haga doble clic en el icono de configuración del Starter CD.

- d. Imprima una página de configuración de red. Esta página contiene información necesaria para la configuración. En el panel de control, pulse el botón **Setup** (Configuración) y realice lo siguiente:
 - Si el dispositivo tiene un visor de dos líneas, seleccione **Network Setup** (Configuración de red), seleccione **Print Network Settings** (Imprimir configuración de la red) y pulse **OK** (Aceptar).
 - Si el dispositivo tiene un visor en color, seleccione **Network** (Red), seleccione **View Network Settings** (Ver configuración de la red), seleccione **Print Network Configuration Page** (Imprimir página de configuración en red) y pulse **OK**.

Red inalámbrica 802.11

Para obtener información acerca de la comunicación inalámbrica y las instrucciones de configuración, consulte "Configuración del dispositivo para la comunicación inalámbrica (opcional)" en la página 23.



Fax

Si instala el software mediante el programa de instalación del Starter CD, puede configurar los valores del fax después de haber instalado el software del dispositivo con el Asistente de configuración de fax (Windows) o el Administrador de dispositivos HP (Mac OS). Para obtener más información acerca de la configuración del fax, consulte "Configurar el fax (opcional)" en la página 10.

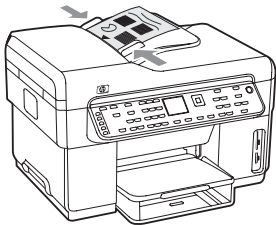
9. Configure la característica de Archivado digital (opcional).

Para obtener las instrucciones de configuración, consulte "Configurar el Archivado digital para el escaneo (opcional)" en la página 20.

Finalice la instalación

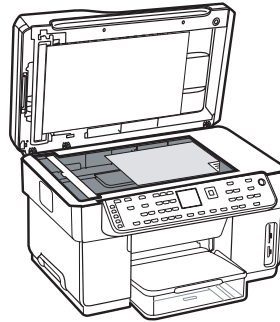
Verifique que el dispositivo esté configurado correctamente

1. Imprima un documento desde una aplicación que utilice con frecuencia.
2. Coloque el documento en la bandeja del alimentador de documentos con el lado de impresión hacia arriba y con la primera página en la parte superior.
3. Regule los ajustadores de ancho según tamaño del documento.



4. Pulse **START COPY Black** (Iniciar copia en negro) o **START COPY Color** (Iniciar copia en color). El dispositivo realiza una copia del documento. Si encuentra problemas, consulte "Solución de problemas de instalación" en la página 26.
5. Retire el documento de la bandeja de salida del AAD.
6. Abra la tapa del escáner de superficie plana.

7. Coloque la primera página del documento con la cara de impresión hacia abajo sobre el cristal del escáner, con la esquina superior izquierda del documento ubicada en la esquina inferior derecha del cristal del escáner.



8. Cierre la tapa del escáner de superficie plana.
9. Pulse **START COPY Black** (Iniciar copia en negro) o **START COPY Color** (Iniciar copia en color). El dispositivo realiza una copia del documento. Si encuentra problemas, consulte "Solución de problemas de instalación" en la página 26.

Verifique que el software del dispositivo esté instalado correctamente

Para verificar que el software del dispositivo se haya instalado correctamente, inícielo y realice tareas básicas (como imprimir un documento o enviar un escaneo a su equipo).

Para abrir el software HP Photosmart (Windows)

1. En el escritorio de Windows, haga doble clic en el icono HP Photosmart.
2. Si tiene instalado más de un dispositivo HP, seleccione la ficha correspondiente a su dispositivo.

Para abrir el software HP Photosmart Studio (Mac OS)

1. Haga clic en el icono HP Photosmart Studio en el Dock.
2. Haga clic en **Device** y luego elija un dispositivo.

Para obtener más información acerca del uso del software del dispositivo, consulte la ayuda en línea.

Registre el dispositivo

Si aún no lo ha hecho, vaya a www.register.hp.com y registre el dispositivo.

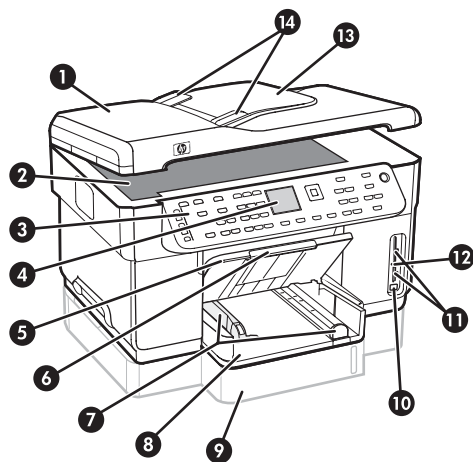
Más información

Para obtener información acerca de cómo usar el dispositivo y solucionar problemas, consulte los siguientes recursos:

- Guía del usuario en pantalla y archivo léame del Starter CD o en www.hp.com/support
- HP Instant Support y servidor Web incorporado (consulte la guía del usuario en pantalla)
- Sitio de soporte del producto en www.hp.com/support

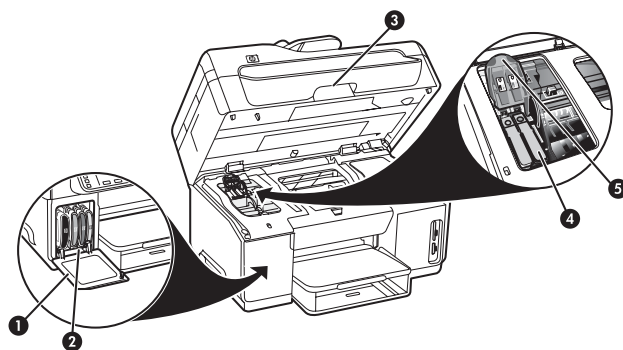
2 Identificar las piezas del dispositivo

Vista frontal



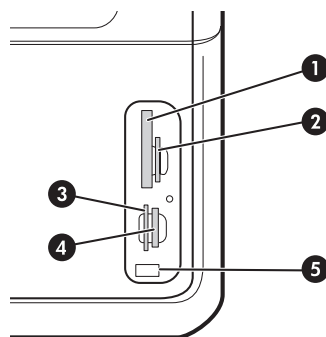
- 1 Alimentador automático de documentos (AAD)
- 2 Cristal del escáner
- 3 Panel de control
- 4 Pantalla
- 5 Bandeja de salida
- 6 Extensión de bandeja de salida
- 7 Guías de largo/ancho
- 8 Bandeja 1
- 9 Bandeja 2 (disponible con algunos modelos)
- 10 Puerto bus serie universal (USB) frontal
- 11 Ranuras de tarjetas de memoria
- 12 Luz de dispositivo de memoria
- 13 Bandeja del alimentador de documentos
- 14 Guías de ancho

Área de suministros de impresión



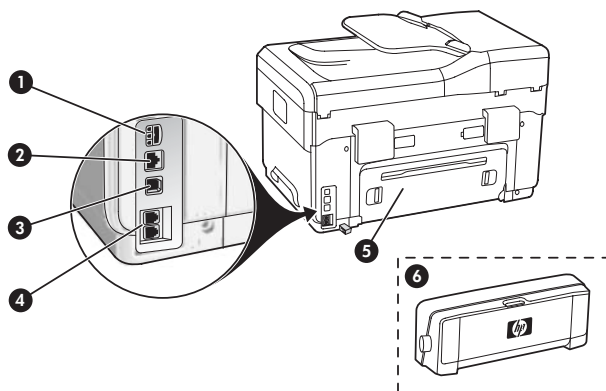
- 1 Puerta para cartuchos de tinta
- 2 Cartuchos de tinta
- 3 Puerta de acceso al carro de impresión
- 4 Cabezales de impresión
- 5 Seguro de los cabezales de impresión

Ranuras de tarjetas de memoria



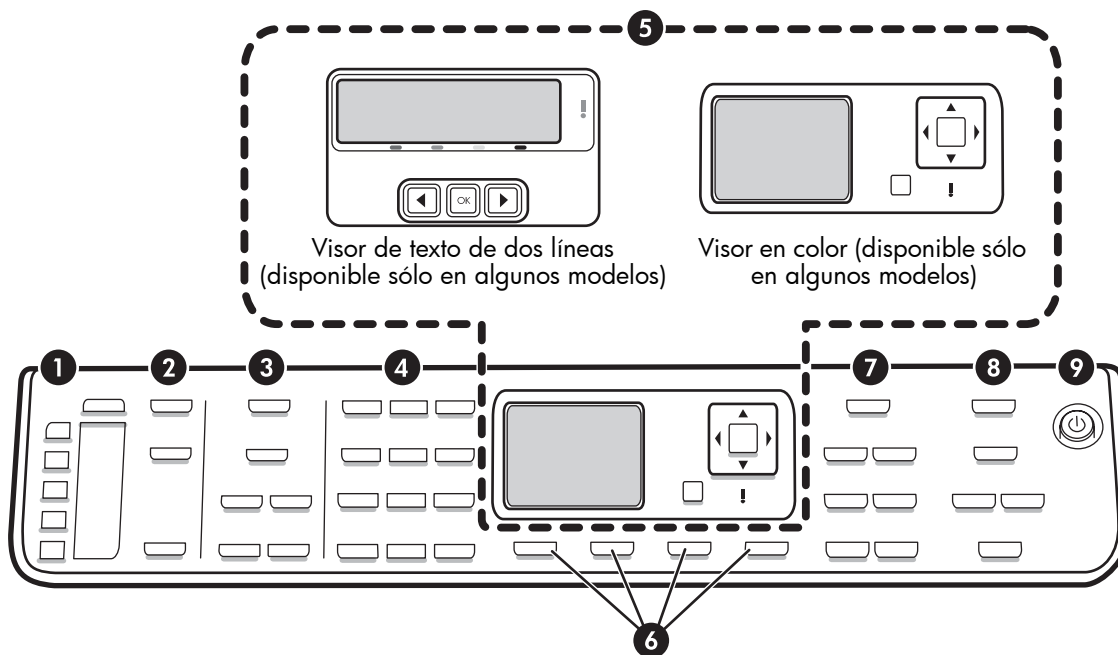
- 1 Compact flash (tipos I y II, sólo estado sólido)
- 2 Secure Digital, MultiMediaCard (MMC), Secure MMC
- 3 xD
- 4 Memory Stick, Magic Gate Memory Stick, Memory Stick Duo y Memory Stick Pro
- 5 Puerto frontal de bus serie universal (USB) (activado por PictBridge)

Vista posterior



- 1 Entrada de alimentación
- 2 Puerto de red Ethernet (sólo en algunos modelos)
- 3 Puerto USB posterior
- 4 Puertos para fax (1-LINE y 2-EXT)
- 5 Panel de acceso posterior (sólo en algunos modelos)
- 6 Accesorio de impresión automática a doble cara (duplexer), (sólo en algunos modelos)

Panel de control



NOTA: la disposición y características del panel de control varían dependiendo del modelo de dispositivo que tenga. Es posible que su dispositivo no tenga todos los botones y luces que se describen en esta sección.

1 Marcación rápida

Botones de marcación rápida: acceda a los primeros cinco números de marcación rápida. Una entrada puede ser un número de fax o un grupo de números de fax o una carpeta de la red.

Lista de entradas de marcación rápida: identifique las entradas de marcación rápida correspondientes a los cinco botones de marcación rápida. Puede escribir las entradas en el papel trazado que se proporciona o imprimir las listas para insertarlas.

2 Escáner

Menú escanear: seleccione un destino de escaneo.

Archivado digital: abra la libreta de direcciones de marcación rápida del Archivado digital para seleccionar un destino de escaneo.

START SCAN (Iniciar escaneo): inicie un trabajo de escaneo y envíelo al destino que seleccionó con el botón Scan Menu (Menú escanear).

3 Fax

Menu (Menú): abra el menú para la función de fax.

Junk Fax Blocker (Bloqueo de fax no deseado): abra el menú Junk Fax Blocker (Bloqueo de fax no deseado), donde podrá agregar o eliminar números de una lista de números de fax bloqueados y ver informes. Esta característica está disponible sólo si tiene configurada la identificación de llamadas a través de su compañía telefónica.

Resolución: ajuste la velocidad y calidad de los faxes que se envían desde el dispositivo.

Redial/Pause (Rellamada/Pausa): remarque el último número de fax que se marcó.

Auto Answer (Respuesta automática): ajuste la función de fax para responder el teléfono automáticamente después de un número específico de timbres.

START FAX Black (Iniciar fax en negro) o START FAX Color (Iniciar fax en color): inicie el fax en blanco y negro o en color.

4 Teclado numérico

ingrese números de fax, valores o texto.

5 Pantalla

NOTA: algunos modelos de dispositivo tienen un visor de dos líneas y otros tienen un visor en color.

Muestra mensajes de estado y de error, menús de inicio y de modo y sus opciones, información de ayuda y niveles de los cartuchos de tinta.

Botones de flecha: desplácese por las opciones del menú o por las fotos en la pantalla a color (si está disponible).

OK (Aceptar): seleccione un menú, configuración o, si el dispositivo tiene una pantalla a color, seleccione fotos para imprimirlas.

Back (Atrás): regresa al menú anterior.

6 Otros botones

Setup (Configuración): abra el sistema de menús para acceder a informes, configuraciones y mantenimiento.

2-sided (2 caras): seleccione la impresión a dos caras (si está instalado un duplexor).

? **Help (Ayuda):** vea información adicional acerca de los mensajes o menús que aparecen en la pantalla. En caso de haber problemas de hardware, mostrará un mensaje que explica el problema. Si el dispositivo no tiene un botón Help (Ayuda), use el botón Setup (Configuración) para acceder a la ayuda.

✕ **Cancel (Cancelar):** detenga un trabajo, salga de un menú o de las configuraciones.

7 Copia

Menu (Menú): abra el menú para la función de copia.

Reduce/Enlarge (Reducir/Ampliar): modifique el tamaño de la copia.

Number Of Copies (Número de copias): seleccione el número de copias mediante las teclas de flecha o ingrese el número directamente con el teclado.

Collate (Clasificar): compagine las impresiones copiadas en el mismo orden que se escanearon en el cristal del escáner o en el AAD.

Quality Calidad: controle la velocidad y la calidad de las copias. La luz Calidad se enciende al lado de la calidad de la copia seleccionada.

START COPY Black (Iniciar copia en negro) o START COPY Color (Iniciar copia en color): inicie la copia en blanco y negro o en color.

8 Foto

Menu (Menú): abra el menú para la función de fotografía.

Proof Sheet (Hoja de prueba): imprima una hoja de prueba cuando se haya insertado una tarjeta de memoria en la ranura correspondiente.

Rotate (Girar): si el dispositivo tiene una pantalla a color, gira en 90 grados la fotografía en pantalla. Si vuelve a presionar la tecla, la foto gira otros 90 grados.

Zoom (- y +): si el dispositivo tiene una pantalla a color, amplía o reduce la imagen.

PRINT PHOTOS (Imprimir foto): inicie el trabajo de impresión de la fotografía.

9 Botón y luces de encendido

⏻ **Botón de encendido:** encienda o apague el dispositivo. Si el dispositivo está apagado, el dispositivo sigue recibiendo una cantidad mínima de alimentación. Para desconectar por completo la alimentación del dispositivo, apague el dispositivo y desenchufe el cable de alimentación.

Cuando está prendida, indica que el dispositivo está encendido. La luz parpadea cuando se está realizando un trabajo.

🌐 **Luz del estado de red:** indica el estado del dispositivo en una red.

📶 **Luz de estado inalámbrica (802.11):** indica el estado del dispositivo en una red inalámbrica.

! **Luz de Atención:** cuando está intermitente, la luz de atención indica que se ha producido un error que necesita de su intervención.

3 Configurar el fax (opcional)

Este capítulo proporciona instrucciones para configurar diferentes ajustes del fax.

- Uso de una línea telefónica dedicada
- Uso de una línea telefónica compartida
- Administración y configuración del fax
 - Configuración del modo de contestación
 - Configuración de los timbres antes de responder
 - Cambio del patrón de timbre de contestación para lograr un timbre distintivo
 - Configuración del encabezado del fax
 - Prueba de la configuración del fax

Para obtener más información acerca de las características del fax, consulte la guía del usuario en pantalla del Starter CD.

NOTA: El fax sólo se admite en algunos modelos.

PRECAUCIÓN: si no utiliza el cable suministrado para conectar el dispositivo al enchufe del teléfono de la pared, es posible que el fax no funcione correctamente.

Este cable telefónico especial es diferente a los cables telefónicos que quizás ya tenga en su hogar u oficina. Si el cable telefónico suministrado es demasiado corto, consulte la guía del usuario en pantalla del Starter CD para obtener información.

Sistemas telefónicos en serie y en paralelo

Antes de empezar a configurar el dispositivo para el envío y recepción de faxes, determine qué tipo de sistema telefónico se utiliza en su país/región.

NOTA: Las instrucciones para configurar el envío y recepción de faxes varían en función de si el sistema telefónico es en serie o tipo paralelo.

Si su país/región no aparece en las siguientes secciones, es probable que disponga de un sistema telefónico en serie. Si no está seguro del tipo de sistema telefónico de que dispone (serie o paralelo), consulte a la compañía telefónica.

Países o regiones con sistemas telefónicos de tipo paralelo

En un sistema telefónico de tipo paralelo puede conectar el equipo telefónico compartido a la línea telefónica a través del puerto "2-EXT" que se encuentra en la parte posterior del dispositivo.

Argentina	Australia	Brasil
Canadá	Chile	China
Colombia	Grecia	India
Indonesia	Irlanda	Japón
Corea	América Latina	Malasia
México	Filipinas	Polonia
Portugal	Rusia	Arabia Saudita
Singapur	España	Taiwán
Tailandia	EE.UU.	Venezuela
Vietnam		

NOTA: Si dispone de un sistema telefónico de tipo paralelo, HP le recomienda que utilice el cable telefónico de 2 hilos, suministrado con el dispositivo, para conectarlo al conector telefónico de pared.

Países/regiones con sistemas telefónicos de tipo serie

En estos sistemas, el tipo de conector del equipo telefónico compartido (módems, teléfonos y contestadores automáticos) no permite la conexión física en el puerto "2-EXT" del dispositivo. Debe conectar el equipo al conector telefónico de pared.

NOTA: En algunos países/regiones que utilizan sistemas telefónicos en serie, es posible que el cable telefónico que viene con el dispositivo tenga un conector de pared incorporado. Esto le permitirá conectar otros dispositivos de telecomunicaciones al conector de pared donde conectará el dispositivo.

Para obtener información sobre la configuración del dispositivo para enviar y recibir faxes con un sistema telefónico en serie, consulte el sitio Web sobre configuración del fax para su país o región.

Austria	www.hp.com/at/faxconfig
Bélgica (holandés)	www.hp.be/nl/faxconfig
Bélgica (francés)	www.hp.be/fr/faxconfig
Dinamarca	www.hp.dk/faxconfig
Finlandia	www.hp.fi/faxconfig
Francia	www.hp.com/fr/faxconfig
Alemania	www.hp.com/de/faxconfig
Irlanda	www.hp.com/ie/faxconfig
Italia	www.hp.com/it/faxconfig
Noruega	www.hp.no/faxconfig
Holanda	www.hp.nl/faxconfig
Portugal	www.hp.pt/faxconfig
España	www.hp.es/faxconfig
Suecia	www.hp.se/faxconfig
Suiza (francés)	www.hp.com/ch/fr/faxconfig
Suiza (alemán)	www.hp.com/ch/de/faxconfig
Reino Unido	www.hp.com/uk/faxconfig

Línea telefónica dedicada

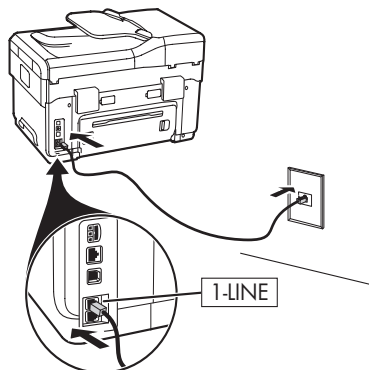
Lea esta sección si piensa utilizar el siguiente tipo de línea telefónica para el fax:

- Línea telefónica dedicada (sin otros dispositivos, como un teléfono o una contestadora, que compartan la línea).
- Línea telefónica dedicada sin dispositivos que compartan la línea, pero con una suscripción a un servicio de timbre especial.
- Línea de intercambio privado de sucursales (PBX) o línea de red digital de servicios integrados (ISDN). Para obtener mayor información acerca de las líneas PBX e ISDN, consulte la guía del usuario en pantalla del Starter CD.

NOTA: Si dispone de un servicio de correo de voz en el mismo número de teléfono que utiliza para las llamadas de fax, no puede recibir faxes de forma automática. Debe recibir los faxes manualmente; esto significa que debe estar disponible para responder en persona a las llamadas de fax entrantes. Si, por el contrario, desea recibir los faxes automáticamente, póngase en contacto con su compañía telefónica para contratar un servicio de timbre especial o para obtener otra línea telefónica para enviar y recibir faxes.

Configure el dispositivo para que conteste las llamadas entrantes manualmente. Pulse el botón **Auto Answer** (Respuesta automática) hasta que la luz se apague.

1. Desenchufe cualquier dispositivo telefónico del enchufe telefónico en el cual conectará el dispositivo.
2. Conecte el cable telefónico que viene con el dispositivo entre el puerto 1-LINE del dispositivo y el enchufe telefónico.



3. Si está abonado a un servicio de timbre especial, cambie la configuración del Patrón de timbre de respuesta al patrón que la compañía telefónica asignó al número de fax, por ejemplo, dos o tres timbres.

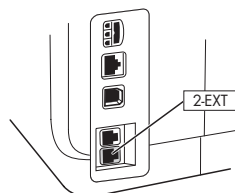
Para obtener información sobre cómo cambiar esta configuración, consulte la guía del usuario en pantalla del Starter CD.

NOTA: el dispositivo está originalmente configurado para responder a todos los patrones de timbre. Si no configura el patrón de timbre correcto que la compañía telefónica asignó al número de fax, es posible que el dispositivo responda a las llamadas de voz y de fax o no conteste ninguna.

Línea telefónica compartida

Si el fax compartirá la línea con otros dispositivos, como teléfonos, contestador automático, equipos/módem para equipos o identificadores de llamadas, o si la línea incluye un servicio de correo de voz, siga las instrucciones que aparecen a continuación para determinar de qué forma configurará el fax.

1. Siga los pasos para la "Línea telefónica dedicada" en la página 11.
2. Enchufe dispositivos adicionales en el puerto 2-EXT, que está en la parte posterior del dispositivo.



3. Para determinar el resto de la configuración del fax, consulte las siguientes tablas.

Uso de las tablas para la instalación del fax

Utilice las tablas de instalación del fax para poder configurar la función de fax en el dispositivo. Siga estos pasos para utilizar las tablas:

- 1 Determine de qué forma utilizará la línea telefónica de la máquina de fax:

- Voz y fax (consulte la Tabla 3-1)
- Voz, fax e Internet (conmutada) (consulte la Tabla 3-3)
- Fax e Internet (consulte la Tabla 3-2)
- Voz, fax e Internet (DSL) (consulte la Tabla 3-4)

Una vez que determine cómo desea utilizar la línea telefónica, siga estos pasos:

- 2 En la primera fila, determine los otros dispositivos que compartirán la línea con el All-in-one (teléfono, equipo, contestador automático).
- 3 En las siguientes filas, determine si la línea telefónica tiene servicios especiales (correo de voz o timbre especial) y, si la línea se utilizará con un equipo, determine si cuenta con un módem de acceso telefónico o DSL.
- 4 La fila siguiente entrega un ejemplo de cómo se verá la configuración del fax en relación con la forma de conectar distintos dispositivos al All-in-one.

- 5 En la última fila de la tabla están los números que corresponden a la Pautas de configuración en la página 15. Use la tabla Pautas de configuración para que la configuración del All-in-one permita que su funcionamiento sea el más efectivo.

NOTA: debe seguir los números según cómo aparecen en la última fila de cada tabla de configuración de fax. Si no respeta la secuencia de los pasos podrían presentarse problemas con la configuración del fax.

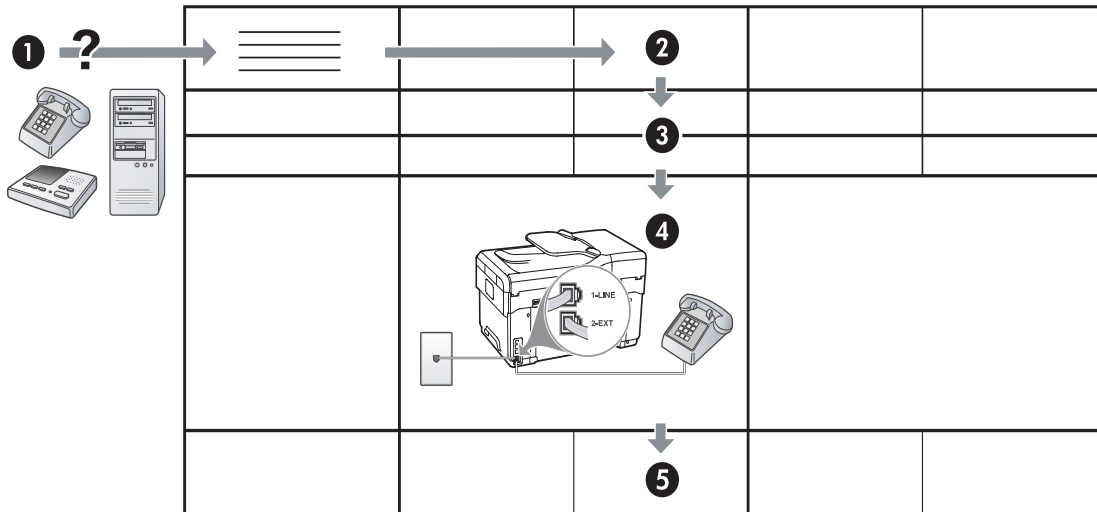


Tabla 3-1 Voz y fax

¿Qué dispositivos conectará al dispositivo?	Teléfono		<ul style="list-style-type: none"> • Teléfono • Máquina contestadora 	
Su línea tiene...		Servicio de timbre distintivo		Servicio de timbre distintivo
La configuración del fax debe tener esta apariencia...				
Entonces, siga la configuración N°	3	1, 9, 2	1, 7	1, 9, 7

Tabla 3-2 Fax e Internet

¿Qué dispositivos conectará al dispositivo?	<ul style="list-style-type: none"> • Equipo • Módem 	
Su línea es...	Conmutada	DSL
La configuración del fax debe tener esta apariencia...		
Entonces, siga la configuración N°	4, 5, 1, 2, 6	8, 1, 2, 6

Tabla 3-3 Voz, fax e Internet (conmutada)

¿Qué dispositivos conectará al dispositivo?	<ul style="list-style-type: none"> • Teléfono • Equipo • Módem 		<ul style="list-style-type: none"> • Teléfono • Equipo • Módem • Máquina contestadora 	
Su línea es...	Conmutada		Conmutada	
Su línea tiene...		Servicio de timbre distintivo		Servicio de timbre distintivo
La configuración del fax debe tener esta apariencia...				
Entonces, siga la configuración N°	4, 10, 5, 3	4, 10, 5, 3, 9	4, 10, 5, 1, 7	4, 10, 5, 1, 9, 7

Tabla 3-4 Voz, fax e Internet (DSL)

¿Qué dispositivos conectará al dispositivo?	<ul style="list-style-type: none"> • Teléfono • Equipo • Módem 		<ul style="list-style-type: none"> • Teléfono • Equipo • Módem • Máquina contestadora 	
Su línea es...	DSL		DSL	
Su línea tiene...		Servicio de timbre distintivo		Servicio de timbre distintivo
La configuración del fax debe tener esta apariencia...				
Entonces, siga la configuración N°	8, 3	8, 3, 9	8, 1, 7	8, 1, 9, 7

Pautas de configuración

Configuración N°	Instrucciones de configuración
1	Configure el dispositivo para que conteste las llamadas entrantes de manera automática. Pulse el botón Auto Answer (Respuesta automática) hasta que la luz se encienda.
2	(Opcional) Cambie la configuración Rings to Answer (Timbres antes de responder) a uno o dos timbres. Para obtener información sobre cómo cambiar esta configuración, consulte la guía del usuario en pantalla del Starter CD.
3	Determine de qué forma desea que el dispositivo conteste las llamadas: automática o manual. <ul style="list-style-type: none"> Si configura el dispositivo para que conteste las llamadas automáticamente, contestará todas las llamadas entrantes y recibirá faxes. El dispositivo no distinguirá entre llamadas de fax y de voz en este caso; si cree que la llamada es de voz, tendrá que responder antes de que el dispositivo lo haga. Para contestar las llamadas de fax automáticamente, presione el botón Auto Answer (Respuesta automática) hasta que la luz se encienda. Si configura el dispositivo para que reciba faxes en forma manual, debe estar disponible para responder en persona a las llamadas de fax entrantes, de lo contrario, el dispositivo no podrá recibir los faxes. Para contestar las llamadas de fax manualmente, pulse el botón Auto Answer (Respuesta automática) hasta que la luz se apague.
4 (Módem de acceso telefónico)	Dado que el módem para PC comparte la línea telefónica con el dispositivo, no podrá utilizar en forma simultánea el módem para PC y el dispositivo. Por ejemplo, no puede utilizar el dispositivo para enviar o recibir faxes si está usando el módem para PC para enviar un correo electrónico o para conectarse a Internet.
5 (Módem de acceso telefónico)	Si su módem para PC está configurado para recibir automáticamente faxes en su equipo, desactive dicha configuración. Precaución: si no desactiva la configuración para recibir faxes en forma automática en el software de su módem para PC, el dispositivo no podrá recibir faxes.
6	Cuando el teléfono suene, el dispositivo contestará automáticamente después del número de timbres definido en la configuración Rings to Answer (Timbres para contestar). Luego, comenzará a emitir tonos de recepción de fax a la máquina que envía, y recibirá el fax.
7 (Contestador automático)	Configure el contestador automático para que responda después de cuatro timbres o menos. Cambie la configuración de Rings to Answer (Timbres antes de responder) del dispositivo a seis timbres. Cuando el teléfono suene, el contestador automático tomará la llamada después del número de timbres que usted configuró y reproducirá la grabación de su saludo. El dispositivo monitorea la llamada durante este tiempo y "escucha" si es que hay tonos de fax. Si se detectan tonos de fax entrante, el dispositivo emite tonos de recepción de fax y recibe el fax; si no hay tonos de fax, el dispositivo deja de monitorear la línea y el contestador automático puede grabar un mensaje de voz.
8	Sólo líneas DSL: deberá adquirir filtros DSL adicionales para todos los dispositivos (teléfono, equipo) que compartan la línea telefónica DSL.
9 (Servicio de timbre especial)	Cambie la configuración del Patrón de timbre de respuesta al patrón que la compañía telefónica asignó al número de fax, por ejemplo, dos o tres timbres. Para obtener información sobre cómo cambiar esta configuración, consulte la guía del usuario en pantalla del Starter CD. NOTA: el dispositivo está originalmente configurado para responder a todos los patrones de timbre. Si no configura el patrón de timbre correcto que la compañía telefónica asignó al número de fax, es posible que el dispositivo responda a las llamadas de voz y de fax o no conteste ninguna.

Existen dos modos distintos de configurar el dispositivo con el equipo según el número de puertos telefónicos del equipo. Además, necesitará cables de teléfono adicionales (por lo menos tres si el equipo tiene solamente un puerto y al menos dos si el equipo tiene dos puertos telefónicos).

Antes de empezar, compruebe si su equipo tiene uno o dos puertos telefónicos:

Equipo con un puerto telefónico

Si el equipo sólo tiene un puerto telefónico, deberá comprar un bifurcador paralelo (también conocido como acoplador). Un bifurcador paralelo tiene un puerto RJ-11 en la parte delantera y dos puertos RJ-11 en la parte posterior. **No** utilice un bifurcador telefónico de 2 líneas, un bifurcador en serie ni un bifurcador paralelo que tenga dos puertos RJ-11 en la parte delantera y un conector en la parte posterior. Podrá comprar un bifurcador paralelo en una tienda de electrónica que venda accesorios telefónicos.

1. Conecte un extremo del cable telefónico que viene con el dispositivo a la toma de pared y el otro extremo al puerto 1-LINE del dispositivo.
2. Conecte un extremo de un segundo cable telefónico al puerto 2-EXT del dispositivo y el otro extremo en la parte frontal del bifurcador paralelo (el extremo que tiene un puerto telefónico).
3. Conecte un extremo de un tercer cable telefónico a la parte posterior del bifurcador paralelo (el extremo que tiene dos puertos telefónicos) y el otro extremo al equipo.
4. Conecte un extremo de un cuarto cable telefónico al último puerto libre en el bifurcador paralelo y el otro extremo a un teléfono o contestador automático. Si está conectando tanto el teléfono como el contestador automático, conecte el cuarto cable telefónico al contestador y luego utilice un quinto cable para conectar el contestador automático al teléfono.

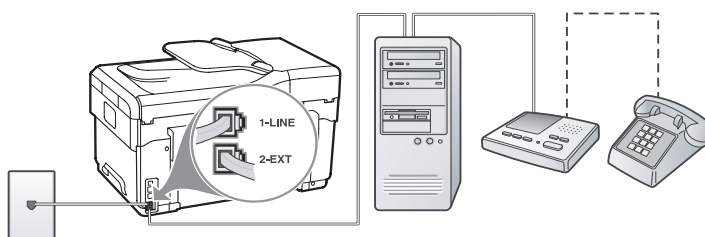
NOTA: si no conecta el contestador automático de esta manera, podrían grabarse los tonos de un equipo emisor de fax en su contestador y no podría recibir faxes con el dispositivo.

Equipo con dos puertos telefónicos

Si el equipo tiene dos puertos telefónicos, siga estos pasos para conectar el dispositivo al equipo:

1. Conecte un extremo del cable telefónico que viene con el dispositivo a la toma de pared y el otro extremo al puerto 1-LINE del dispositivo.
2. Conecte un extremo de un segundo cable telefónico al puerto 2-EXT del dispositivo y el otro extremo al puerto IN del equipo.
3. Conecte un extremo de un tercer cable telefónico a puerto OUT del equipo y el otro extremo a un teléfono o contestador automático. Si está conectando tanto el teléfono como el contestador automático, conecte el tercer cable telefónico al contestador y luego conecte el contestador automático al teléfono.

NOTA: si no conecta el contestador automático de esta manera, podrían grabarse los tonos de un equipo emisor de fax en su contestador y no podría recibir faxes con el dispositivo.



Administración y configuración del fax

Si conecta el dispositivo directamente a un equipo, instale el software del dispositivo y luego ejecute el Asistente de configuración de fax (Windows) o el Administrador de dispositivos HP (Mac OS). También puede, en otro momento, ejecutar estas herramientas desde el Centro de soluciones (Windows) o el Administrador de dispositivo HP (Mac OS). Utilice estas herramientas para determinar el encabezado de fax, el país o región y la fecha y hora.

Además, puede configurar los valores del fax desde el servidor Web incorporado (EWS). Para obtener información sobre el EWS, consulte página 32.

También puede configurar estos valores desde el panel de control. Para obtener información sobre el panel de control, consulte la guía del usuario en pantalla del Starter CD.

Configuración de entradas de marcación rápida

Puede almacenar números de fax o grupos de números de fax como entradas de marcación rápida. Las entradas de marcación rápida 1 a la 5 están asociadas a los cinco botones de marcación rápida correspondientes del panel de control. De este modo, puede marcar dichos números rápidamente desde el panel de control.

Además de utilizar el panel de control, también puede configurar las entradas de marcación rápida con el servidor Web incorporado y el software HP Photosmart. Para obtener información, consulte la guía del usuario en pantalla del Starter CD.

Para configurar entradas de marcación rápida

1. Desde el panel de control, pulse **Configuración**.
2. Seleccione **Speed Dial Setup** (Configuración de marcación rápida) y realice una de las siguientes acciones:
 - **Para agregar o cambiar una entrada:** seleccione **Marcación rápida individual** o **Marcación rápida grupal** y pulse las teclas de flecha para desplazarse a un número de entrada no utilizado o escriba un número en el teclado. Escriba el número de fax y pulse **OK**. Incluya las pausas o los demás números que necesite, como por ejemplo, un código de área, un código de acceso para números que se encuentran fuera de un sistema de PBX (generalmente 9 ó 0) o un prefijo de llamada de larga distancia. Escriba el nombre con el teclado numérico y pulse **OK**.
 - **Para eliminar una entrada o todas la entradas:** seleccione **Eliminar marcado rápido**, pulse las teclas de flecha para moverse a la entrada de marcado rápido que desea eliminar y luego pulse **Aceptar**.

Prueba de la configuración de fax

Es posible probar la configuración de fax para verificar el estado del dispositivo y asegurarse de que esté configurado correctamente para el envío y recepción de fax. Realice esta prueba tras configurar el dispositivo para dichas tareas. La prueba hace lo siguiente:

- Evalúa el hardware del fax
- Verifica que el dispositivo tenga conectado el tipo de cable telefónico correcto
- Revisa que el cable telefónico esté conectado en el puerto correcto
- Revisa si hay tono de marcación
- Revisa si hay una línea de teléfono activa
- Prueba el estado de la conexión de la línea telefónica

El dispositivo imprime un informe con los resultados de la prueba. Si se produce alguna falla en la prueba, revise el informe para saber cómo corregir los problemas y volver a realizar la prueba. Para obtener información adicional sobre la solución de problemas, consulte el "Solución de problemas de fax (opcional)" en la página 30.

Probar la configuración de fax

1. Configure el dispositivo para enviar faxes de acuerdo con las instrucciones de configuración de su casa o su oficina.
2. Asegúrese de que los cartuchos de tinta y los cabezales de impresión estén instalados y que el papel de tamaño completo esté cargado en la bandeja de entrada antes de iniciar la prueba.
3. En el panel de control, pulse **Setup** (Configuración).
4. Seleccione **Herramientas** y, a continuación, **Ejecutar prueba de fax**.

El dispositivo muestra el estado de la prueba en la pantalla e imprime un informe.

5. Revise el informe.
 - Si el resultado de la prueba es favorable y aún tiene problemas con el fax, revise las configuraciones de fax que aparecen en el informe para verificar que sean las correctas. Una configuración incorrecta o incompleta puede provocar problemas en el envío y la recepción de faxes.
 - Si la prueba falla, revise el informe para saber cómo arreglar cualquier problema que haya encontrado.

4 Configurar el Archivado digital para el escaneo (opcional)

La función Archivado digital le permite explorar documentos directamente de varias carpetas compartidas (hasta 10) en la red. Con el Archivado digital, no necesita un software de exploración. Además, no necesita explorar los archivos desde el equipo y luego transferirlos a la carpeta designada de la red.

NOTA: la función Archivado digital está disponible con los modelos HP Officejet L7600/L7700 all-in-one que se conectan directamente a la red por medio de una conexión inalámbrica o con un cable de Ethernet.

NOTA: el Archivado digital no admite Windows Active Directory.

Información requerida

Para configurar el Archivado digital, necesita la siguiente información:

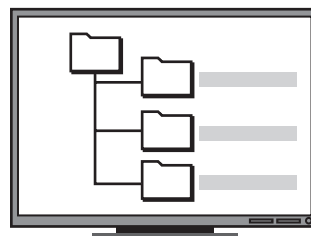
- La dirección IP asignada al all-in-one.
Cuando pulsa el botón Digital Filing (Archivado digital) en el panel de control del All-in-one por primera vez, la dirección IP aparece en una lista al final de las instrucciones que aparecen en la pantalla.
- Privilegios adecuados en la red.
Debe poder crear una carpeta y cambiar los permisos de acceso para la carpeta.

Archivado digital... en acción!

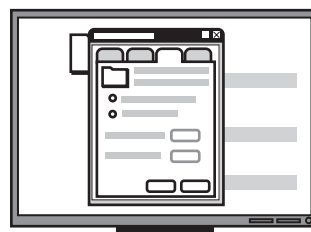
Recientemente, una pequeña empresa de diseño gráfico comenzó a manejar sus facturas, contratos e informes de costos en forma electrónica con el Archivado digital. Ahora, en lugar de completar facturas y otros documentos, el administrador de la oficina utiliza el All-in-one para crear una copia electrónica que se almacena en forma automática en un equipo de la red de la oficina.

Configurarlo...

El administrador de la oficina le solicitó a uno de los empleados que saben de informática que configure el Archivado digital.



Primero, el empleado creó tres carpetas distintas (con los nombres "Facturas", "Contratos" e "Informes de costos") en el equipo que se usan para almacenar los documentos.



Luego, cambió los permisos de acceso de estas carpetas de modo que el All-in-one pueda guardar archivos en los directorios correspondientes.

- El nombre del equipo donde está ubicada la carpeta
Para obtener información acerca de cómo buscar el nombre del equipo, consulte la documentación del sistema operativo.
- La dirección de red para la carpeta.
Las direcciones de red normalmente se escriben en este formato: \\mypc\sharedfolder
- Un nombre de usuario y una contraseña para la red.
Por ejemplo, el nombre de usuario y contraseña de Windows NT se usan para iniciar sesión en la red.

Paso 1: crear y compartir una carpeta en la red

NOTA: para utilizar Archivado digital, la carpeta que usa ya debe existir en un equipo conectado a la red. No puede crear una carpeta desde el panel de control del All-in-one.

1. Cree una carpeta en un equipo conectado a la red.
2. Comparta la carpeta.
Asegúrese de que las opciones de la carpeta proporcionen acceso de lectura y escritura.

Para obtener más información acerca de la creación de carpetas y de la configuración de opciones de carpeta, consulte la documentación del sistema operativo.

Paso 2: configure un acceso directo para la carpeta en la red

Los enlaces entre el All-in-one y la carpeta de red se llaman "Marcación rápida de archivado digital". Puede crear y administrar estas marcaciones rápidas con el servidor Web incorporado (EWS) del All-in-one.

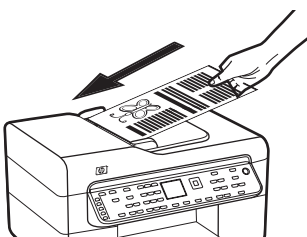
NOTA: para obtener mayor información acerca del uso del EWS, consulte "Servidor Web incorporado" en la página 32 o la guía del usuario en pantalla del Starter CD.



Finalmente, él usó el servidor Web incorporado (EWS) para configurar los accesos directos (llamados "marcaciones rápidas") para cada una de estas carpetas

Probarlo...

Después de que el empleado que sabe informática terminó de configurar el Archivado digital, el administrador de la oficina decidió crear una copia de una factura.



Primero, cargó el documento en el All-in-one, tal como si fuera a sacar una copia.



Luego, pulsó el botón Digital Filing (Archivado digital) en el panel de control del All-in-one y en la pantalla aparecen los números de marcación rápida que el empleado programó en el EWS.



Finalmente, seleccionó la opción "Facturas" y pulsó el botón Explorar.

El All-in-one exploró el documento y luego lo transmitió directamente a la carpeta facturas del equipo.

1. Abra un navegador Web admitido (tal como Microsoft Internet Explorer, Netscape, Opera, Mozilla Firefox o Safari) en el equipo.
2. Escriba la dirección IP que se asignó al All-in-one. (Para obtener más información, consulte "Información requerida").

Por ejemplo, si la dirección IP es 123.123.123.123, escriba la siguiente dirección en el explorador Web: `http://123.123.123.123`

La página del EWS aparece en la ventana del navegador Web.

3. Haga clic en la ficha **Settings** (Configuración).
4. En **Address Book** (Libreta de direcciones), haga clic en **Digital Archive Speed-dial (Marcación rápida de archivado digital)**.
5. En **Direct Digital Filing Speed-dial** (Marcación rápida de archivado digital) ajuste las configuraciones para la nueva marcación rápida en el EWS, incluso lo siguiente:

- **Apodo:** Agregue un apodo para la carpeta. Después de configurar el Archivado digital, este nombre aparece en el panel de control del All-in-one cuando pulsa el botón Digital Filing (Archivado digital).
- **Ruta de la red:** La ruta de red para la carpeta. La ruta de la red normalmente se escribe en este formato: `\\mypc\sharedfolder`. Además, puede escribir la dirección IP asignada al All-in-one en este formato: `\\123.123.123.123`.
- **Nombre de usuario y contraseña:** el nombre de usuario y contraseña que utiliza cuando inicia sesión en el equipo. El nombre de usuario normalmente se escribe en uno de estos formatos: `Bob`, `BOBSPC\Bob`, `BOBDOMAIN\Bob`
- **Número de identificación personal (PIN):** puede asignar un PIN opcional para ayudar a evitar que personas no autorizadas utilicen la marcación rápida. Después de establecer el PIN, el panel de control del All-in-one solicitará el PIN cada vez que se utilice la marcación rápida. Para desactivar el PIN, deje la casilla PIN en blanco.
- **Configuraciones de exploración:** ajuste las configuraciones de exploración para la marcación rápida, tal como opciones de tipo de documento y exploración por ambas caras, que se usan cada vez que se seleccione ésta marcación rápida.

6. Seleccione **Agregar**.

La entrada se agrega a la Libreta de direcciones de marcación rápida de archivado digital.

Paso 3: pruebe y utilice el Archivado digital

1. Cargue el documento en el cristal del escáner o en el ADF.
2. Pulse **Digital Filing (Archivado digital)**.
3. Pulse el botón de marcación rápida de archivado digital que corresponda a la marcación rápida que desee.

Si se le solicita, introduzca el PIN para la marcación rápida.
4. Pulse **Start Scan (Iniciar escaneo)**.

NOTA: Es posible que la conexión demore un poco, dependiendo del tráfico de la red y la velocidad de conexión.

NOTA: consulte la solución de problemas de "Active directory".

5 Configuración del dispositivo para la comunicación inalámbrica (opcional)

NOTA: la comunicación inalámbrica está disponible con algunos modelos de dispositivo.

Este capítulo proporciona las instrucciones para configurar el dispositivo para comunicación inalámbrica mediante:

- El panel de control: utilice los menús de la pantalla para configurar la comunicación inalámbrica.
- Software del Starter CD: utilice un cable de red para conectarse temporalmente a la red y configurar la comunicación inalámbrica mediante el software del Starter CD.

Para obtener información acerca de otras formas de configurar el dispositivo para comunicación inalámbrica, consulte la guía del usuario en pantalla del Starter CD.

Información requerida

Antes de instalar el software del dispositivo, se recomienda verificar la configuración de la red. Obtenga la información de los administradores del sistema o realice las siguientes tareas:

- Obtenga el nombre de red (SSID) y el modo de comunicación (infraestructura o ad hoc) en la utilidad de configuración del punto de acceso inalámbrico (WAP) de la red o de la tarjeta de red del equipo.
- Averigüe qué tipo de encriptación utiliza su red, tal como Privacidad equivalente por cable (WEP) o Acceso protegido Wi-Fi® (WPA).
- Obtenga la contraseña de seguridad o la clave de encriptación del dispositivo inalámbrico.

Información sobre la configuración de red inalámbrica 802.11

Nombre de la red (SSID)

En forma predeterminada, el dispositivo busca el nombre de la red inalámbrica o el Identificador de conjunto de servicio (SSID) denominado "hpsetup". Su red puede tener un SSID distinto.

Modo de comunicación

Existen dos modos de comunicación:

Ad hoc: en una red ad hoc, el dispositivo se configura en el modo de comunicación ad hoc y se comunica directamente con otros dispositivos inalámbricos sin utilizar un punto de acceso inalámbrico (WAP):

Todos los dispositivos de la red ad hoc deben cumplir los siguientes requisitos:

- Ser compatibles con 802.11
- Tener seleccionado el modo de comunicación ad hoc
- Tener el mismo nombre de red (SSID)
- Estar en la misma subred y en el mismo canal
- Tener la misma configuración de seguridad 802.11

Infraestructura (recomendado): en una red de infraestructura, el dispositivo se configura en el modo de comunicación de infraestructura y se comunica con otros dispositivos de la red, sean éstos inalámbricos o no, a través de un WAP. Generalmente, los WAP actúan como enrutadores o puertas de enlace en redes pequeñas.

Configuración de seguridad

Para conocer la configuración disponible para el dispositivo, consulte la página de configuración de red en “Comprensión de la página de configuración” en la guía del usuario en pantalla del Starter CD.

Para obtener más información acerca de la seguridad inalámbrica, visite www.weca.net/opensection/pdf/whitepaper_wifi_security4-29-03.pdf.

Autenticación de red: el valor predeterminado de fábrica del dispositivo es Abierta, el cual no requiere seguridad para autorización o encriptación. Los otros valores posibles son Abierta luego compartida, Compartida y WPA-PSK (Acceso protegido Wi-Fi® con clave previamente compartida).

- WPA aumenta el nivel de protección y control de acceso de los datos vía aire en redes Wi-Fi existentes y futuras. Abarca todas las debilidades conocidas de WEP, el mecanismo de seguridad nativa original del estándar 802.11.
- WPA2 es la segunda generación de seguridad WPA; proporciona a usuarios Wi-Fi de empresas y consumidores un alto nivel de garantía en cuanto a que sólo usuarios autorizados pueden acceder a sus redes inalámbricas.

Encriptación de datos:

- La privacidad equivalente por cable (WEP) proporciona seguridad mediante la encriptación de datos que se envían a través de ondas de radio de un dispositivo inalámbrico a otro. Los dispositivos en una red habilitada para WEP usan claves WEP para codificar los datos. Si su red usa WEP, debe conocer sus claves WEP.
- WPA usa el Protocolo de integridad de clave temporal (TKIP) para encriptación y emplea autenticación 802.1X con uno de los tipos de Protocolos de autenticación extensible (EAP) estándar disponibles en la actualidad.
- WPA2 proporciona un nuevo esquema de encriptación, el Estándar de encriptación avanzada (AES). AES se define en el modo de encadenamiento de bloques de cifrado de contador (CCM) y es compatible con el Conjunto de servicios básicos independientes (IBSS) para permitir la seguridad entre estaciones de trabajo cliente que funcionan en modo ad hoc.

NOTAS

- Asegúrese de que el dispositivo no esté conectado a la red mediante un cable de red.
- El dispositivo transmisor debe contar con capacidades para 802.11 incorporadas o tener instalada una tarjeta inalámbrica 802.11.
- HP recomienda que el dispositivo y los equipos que usen el dispositivo estén en la misma subred.

Configure el dispositivo para la comunicación inalámbrica mediante el panel de control

NOTA: para usar este método, debe tener una red inalámbrica configurada y en funcionamiento.

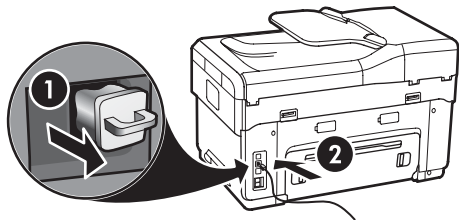
1. En el panel de control, pulse el botón **Setup** (Configuración).
2. Pulse un botón de flecha para ir a **Network** (Red) y luego pulse **OK** (Aceptar).
3. Pulse un botón de flecha para ir a **Wireless Setup Wizard** (Asistente de configuración inalámbrica) y luego pulse **OK** (Aceptar).
4. Siga las instrucciones que aparecen en pantalla para completar la configuración.

Si encuentra problemas, consulte “Solución de problemas inalámbricos (sólo en algunos modelos)” en la página 28.

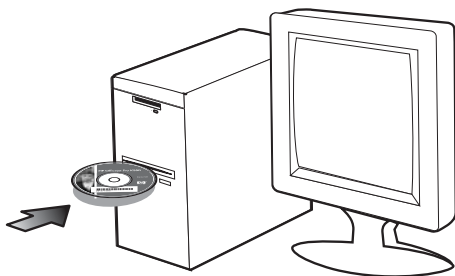
Configure el dispositivo para la comunicación inalámbrica mediante software

Para Windows

1. Retire la cubierta protectora del conector de red del dispositivo.
2. Conecte temporalmente el dispositivo a un puerto disponible del hub, conmutador o enrutador de red con un cable de red (se vende por separado).



3. Cierre cualquier aplicación que esté en ejecución en su equipo.
4. Inserte el Starter CD en la unidad de CD. Debe ejecutar el programa de instalación al menos una vez desde Starter CD y crear una conexión inalámbrica.



Si el menú del CD no se inicia automáticamente, haga doble clic en el icono de configuración del Starter CD.

5. En el menú del CD, haga clic en **Instalar** y siga las instrucciones que aparecen en pantalla.
6. En la pantalla **Tipo de conexión**, seleccione **Inalámbrica** y, a continuación, haga clic en **Siguiente**.

7. Siga las instrucciones que aparecen en pantalla para completar la instalación y, cuando se le solicite, desconecte el cable.

Si encuentra problemas, consulte "Solución de problemas inalámbricos (sólo en algunos modelos)" en la página 28.

Para Mac OS

1. Abra el Asistente de configuración AirPort y siga las instrucciones que aparecen en pantalla para unirse a una red inalámbrica existente (hpsetup).
2. Haga doble clic en el icono de instalación del Starter CD y siga las instrucciones que aparecen en pantalla.
3. Cuando se le solicite, haga clic en **Utilidad de configuración de impresora** para agregar el dispositivo.

Si encuentra problemas, consulte "Solución de problemas inalámbricos (sólo en algunos modelos)" en la página 28.

6 Solución de problemas

Esta sección proporciona sugerencias para la solución de algunos de los problemas más comunes que se asocian a la instalación de hardware y software.

Para obtener información actualizada, consulte el archivo Léame y las notas del Starter CD o visite el sitio Web de soporte del producto en www.hp.com/support.

Solución de problemas de instalación

Esta sección proporciona sugerencias para la solución de algunos de los problemas más comunes que se asocian a la instalación de hardware y software.

Sugerencias para la instalación de hardware

Revise el dispositivo

- Asegúrese de que se haya retirado toda la cinta y materiales de embalaje del interior y exterior del dispositivo.
- Asegúrese de que el papel está cargado correctamente en la bandeja y de que no está atascado en el dispositivo.
- Asegúrese de que no haya luces encendidas o parpadeando, excepto la luz de Alimentación, la que sí debe estar encendida. Si la luz de Atención parpadea, revise los mensajes en el panel de control. La primera vez que se enciende el dispositivo, demora aproximadamente 45 segundos en calentarse.
- Asegúrese de que el panel de acceso posterior o la unidad de impresión a doble cara esté asegurada en su lugar.
- Asegúrese de que el dispositivo puede imprimir una página de Autodiagnóstico. Para obtener más información, consulte "Página de autodiagnóstico" en la página 32.

Revise las conexiones del hardware

- Asegúrese de que todos los cables en uso estén en el orden correcto y funcionen bien.
- Asegúrese de que el cable de alimentación esté conectado en forma segura al dispositivo y a una toma de corriente activa.
- Asegúrese de que el cable telefónico esté conectado al puerto 1-LINE.

Revise los cabezales de impresión y los cartuchos de tinta

- Asegúrese de haber retirado las tapas anaranjadas de los cabezales de impresión.
- Asegúrese de que todos los cabezales y cartuchos de tinta se encuentren instalados firmemente en sus ranuras correctas, con el mismo código de color. Presione cada uno de estos elementos firmemente, para asegurarse de que estén haciendo un contacto adecuado. El dispositivo no puede funcionar si no están instalados.
- Asegúrese de que el pestillo del cabezal de impresión y todas las cubiertas estén cerradas.
- Si en la pantalla aparece un mensaje de error sobre los cabezales de impresión, limpie los contactos de éstos. Para obtener más información, consulte la guía del usuario en pantalla del Starter CD.

Sugerencias para la instalación de software

Revise el sistema del equipo

- Asegúrese de que su equipo ejecuta uno de los sistemas operativos compatibles. Para obtener más información, consulte la guía del usuario en pantalla del Starter CD.
- Asegúrese de que el equipo cumple al menos con los requisitos mínimos del sistema. Para obtener más información, consulte la guía del usuario en pantalla del Starter CD.

Verifique las pautas de instalación

- Asegúrese de usar el Starter CD que contiene el software de instalación correcto para su sistema operativo.
- Antes de instalar el software, asegúrese de que los demás programas estén cerrados.
- Si el equipo no reconoce la ruta hacia la unidad de CD-ROM que usted escribió, asegúrese de que está especificando la letra de unidad correcta.
- Si el equipo no reconoce el Starter CD en la unidad de CD-ROM, revise que éste no esté dañado. Puede descargar el controlador del dispositivo desde www.hp.com/support.
- En el Administrador de dispositivos de Windows, asegúrese de que los controladores USB no estén desactivados.
- Si utiliza un equipo que ejecuta Windows y el equipo no puede detectar el dispositivo, ejecute la utilidad de desinstalación (util\ccc\uninstall.bat en el Starter CD) para realizar una desinstalación completa del controlador del dispositivo. Reinicie el equipo y vuelva a instalar el controlador del dispositivo.

Solución de problemas de red (sólo en algunos modelos)

NOTA: Luego de corregir cualquiera de los siguientes problemas, ejecute nuevamente el programa de instalación.

Solución de problemas de red generales

- Si no puede instalar el software del dispositivo, compruebe que:
 - Todas las conexiones de cable al equipo y al dispositivo estén firmes.
 - La red esté operativa y el dispositivo de red esté encendido.
 - Todas las aplicaciones, incluidos los programas de protección antivirus, programas de protección contra software espía y firewall estén cerrados o desactivados en los equipos con Windows.
 - El dispositivo está instalado en la misma subred que los equipos que lo usarán.

- Si el programa de instalación no puede detectar el dispositivo, imprima la página de configuración de red (consulte “Para imprimir la página de configuración de red” en la página 32) e ingrese manualmente la dirección IP.
- Si usa un equipo que ejecuta Windows, asegúrese de que los puertos de red creados en el controlador del dispositivo coincidan con la dirección IP de éste:
 - 1) Imprima la página de configuración de red del dispositivo.
 - 2) En el escritorio de Windows, haga clic en **Inicio**, señale **Configuración** y luego haga clic en **Impresoras o Impresoras y faxes**.



Haga clic en **Inicio**, luego en **Panel de control** y luego haga doble clic en **Impresoras**.

3) Haga clic con el botón derecho en el icono del dispositivo, seleccione **Propiedades** y haga clic en la ficha **Puertos**.



Haga clic con el botón derecho en el icono del dispositivo, haga clic en **Ejecutar como administrador**, haga clic en **Propiedades**, haga clic en **Continuar** luego haga clic en la ficha **Puertos**.

4) Seleccione el puerto TCP/IP para el dispositivo y luego haga clic en **Configurar puerto**.

5) Compare la dirección IP que aparece en el cuadro de diálogo y asegúrese de que coincida con la de la página de configuración de red. Si las direcciones IP son diferentes, cambie la del cuadro de diálogo para que coincida con la que aparece en la página de configuración de red.

6) Haga clic dos veces en **Aceptar** para guardar la configuración y cerrar los cuadros de diálogo.

Problemas durante la conexión a una red por cable

- Si la luz de Enlace del conector de red no se enciende, asegúrese de que se cumplan todas las condiciones de “Solución de problemas de red general” que se mencionaron antes.
- Si bien no es recomendable que asigne al dispositivo una dirección IP estática, esto podría solucionar algunos problemas de instalación (como un conflicto con un firewall personal). Para obtener más información, consulte la guía del usuario en pantalla del Starter CD.

Solución de problemas inalámbricos (sólo en algunos modelos)

Si el dispositivo no puede comunicarse con la red luego de establecer la configuración de la conexión inalámbrica y de instalar el software, realice una o más de las siguientes tareas.

Revise los parámetros de la comunicación inalámbrica

- Asegúrese de que la tarjeta inalámbrica del equipo esté configurada en el perfil inalámbrico correcto. Un perfil inalámbrico es un conjunto de parámetros de red exclusivo de una red determinada. Una sola tarjeta inalámbrica puede tener varios perfiles inalámbricos (por ejemplo, uno para una red en la casa y uno para una red en la oficina). Abra la utilidad de Configuración para la tarjeta de red instalada en su equipo y asegúrese de que el perfil seleccionado sea el perfil para la red del dispositivo.
- Asegúrese de que la configuración de red del dispositivo coincida con la de su red. Realice uno de los siguientes pasos para conocer los parámetros de su red:
 - **Comunicación de infraestructura:** abra la utilidad de Configuración del punto de acceso inalámbrico (WAP).
 - **Comunicación ad hoc:** abra la utilidad de Configuración de la tarjeta de red instalada en su equipo.
- Compare la configuración de la red con la que aparece en la página de configuración de red del dispositivo (consulte “Para imprimir la página de configuración de red” en la página 32) y observe las diferencias. Entre los posibles problemas se incluyen:
 - El WAP filtra las direcciones de hardware (direcciones MAC). Consulte “Agregue direcciones de hardware a un punto de acceso inalámbrico (WAP)” en la página 28.
 - Puede que uno de estos parámetros en el dispositivo esté incorrecto: modo de comunicación, nombre de red (SSID), canal (sólo redes ad hoc), tipo de autenticación, encriptación. Consulte “Información sobre la configuración de red inalámbrica 802.11” en la página 23.

- Imprima un documento. Si el documento aún no se imprime, restablezca la configuración de red del dispositivo (consulte “Restablezca los parámetros de configuración de la red” en la página 29) y reinstale el software del dispositivo.

Si la configuración de la red inalámbrica está correcta, el equipo puede estar asociado a otra red inalámbrica. Asegúrese de que el equipo esté asociado a la misma red inalámbrica que el dispositivo.

Los usuarios pueden verificar esto al revisar la configuración de la conexión inalámbrica en sus respectivos equipos. Además, asegúrese de que los equipos tengan acceso a la red inalámbrica.

Si la configuración de la red inalámbrica está incorrecta, siga estos pasos para corregir la configuración del dispositivo:

1. Conecte el dispositivo a la red o al equipo con un cable de red.
2. Abra el servidor Web incorporado del dispositivo.
3. Haga clic en la ficha **Conexión en red** y luego en **Inalámbrica (802.11)** en el panel izquierdo.
4. Use el asistente de Configuración inalámbrica de la ficha Configuración inalámbrica para cambiar los parámetros del dispositivo para que coincidan con los de la red.
5. Cierre el servidor Web incorporado del dispositivo y desconecte el cable de red del dispositivo.
6. Desinstale por completo el software del dispositivo y vuelva a instalarlo.

Agregue direcciones de hardware a un punto de acceso inalámbrico (WAP)

La filtración MAC es una característica de seguridad en la cual un punto de acceso inalámbrico (WAP) se configura con una lista de direcciones MAC (también denominadas “direcciones de hardware”) de dispositivos a los que se les permite obtener acceso a la red a través de WAP. Si el WAP no tiene la dirección de hardware de un dispositivo que intenta acceder a la red, el WAP niega el acceso a la red a dicho dispositivo. Si el WAP filtra las direcciones MAC, la dirección MAC del dispositivo debe agregarse a la lista de direcciones MAC aceptadas de WAP.

1. Imprima una página de configuración de red. Consulte “Para imprimir la página de configuración de red” en la página 32.

2. Abra la utilidad de configuración de WAP y agregue la dirección de hardware del dispositivo a la lista de direcciones MAC aceptadas.

Restablezca los parámetros de configuración de la red

Si el dispositivo aún no puede comunicarse con la red, restablezca su configuración de red.

1. Pulse **Configuración**. Pulse un botón de flecha para ir a **Network** (Red) y luego pulse **OK** (Aceptar).
2. Presione un botón de flecha para ir a **Restore Network Defaults** (Restablecer valores predeterminados de la red) y luego presione **OK** (Aceptar).
3. Imprima la página de configuración de red y verifique que la configuración de red se haya restablecido. Consulte "Para imprimir la página de configuración de red" en la página 32.

En forma predeterminada, el nombre de red (SSID) es "hpsetup" y el modo de comunicación es "ad hoc".

Solución de problemas del archivado digital (opcional)

No se pudo escanear a la carpeta de red

NOTA: La función Archivado digital no admite Windows Active Directory.

El dispositivo no está configurado correctamente en la red

Asegúrese de que el dispositivo esté configurado correctamente y que esté conectado a la red. Realice un PING en el dispositivo y asegúrese de que esté respondiendo.

La carpeta de red no se ha configurado correctamente

- Asegúrese de que la carpeta esté creada en el servidor. Para obtener más información, consulte la documentación disponible del sistema operativo.
- Asegúrese de que el nombre de la carpeta sólo use las letras A a la Z (mayúsculas y minúsculas) y los números 1 al 9.

- También se admiten algunos signos de puntuación comunes. Sin embargo, no use caracteres especiales o con acento en el nombre de la carpeta.
- Asegúrese de que la carpeta se haya compartido y que los usuarios pueden leer y escribir en ella. Para obtener más información, consulte la documentación disponible del sistema operativo.
- Asegúrese de que el nombre de la carpeta se haya ingresado en el formato correcto en el servidor Web incorporado (EWS) y que el nombre de usuario y la contraseña se hayan ingresado correctamente. Para obtener más información, consulte la información del EWS.

El disco está lleno

Asegúrese de que el servidor que contiene la carpeta tenga suficiente espacio de disco disponible.

El dispositivo no puede crear un nombre de archivo único con el prefijo y sufijo asignados

El dispositivo puede crear un máximo de 9.999 archivos con el mismo prefijo y sufijo. Si ha escaneado varios archivos en una carpeta, cambie el prefijo.

El prefijo del nombre del archivo no se ha configurado correctamente

Asegúrese de que el nombre de la carpeta y el prefijo del nombre del archivo usen sólo letras A a la Z, mayúsculas o minúsculas, y números del 1 al 9. También se admiten algunos signos de puntuación comunes. Sin embargo, no use caracteres especiales o con acento en el nombre de la carpeta. Si se usan caracteres no admitidos en los prefijos del nombre del archivo, estos no aparecerán correctamente cuando se cree el archivo.

El nombre del servidor no se puede solucionar

El envío a la carpeta de red puede fallar si el nombre de servidor que se proporcionó durante la configuración no se puede solucionar en direcciones IP específicas. Al configurar la función de Archivado digital, asegúrese de hacer lo siguiente:

- Utilice nombres DNS completamente calificados.
- Asegúrese de que el servidor DNS esté configurado correctamente en el dispositivo.

CONSEJO: si ha cambiado recientemente la configuración del DNS, apáguelo y luego encienda el All-in-One.

Solución de problemas de fax (opcional)

Si realizó una prueba de fax y falló, consulte el informe de prueba para buscar posibles soluciones. Para obtener información más detallada, consulte la guía del usuario en pantalla del Starter CD.

El dispositivo tiene dificultades para enviar y recibir faxes Asegúrese de usar el cable telefónico que viene con el dispositivo.

Es posible que se esté utilizando otro equipo conectado a la misma línea de teléfono que el dispositivo. Asegúrese de que ningún teléfono de extensión (teléfonos conectados a la misma línea telefónica, pero no conectados al dispositivo) u otros equipos estén en uso o estén descolgados. Por ejemplo, no se puede utilizar el dispositivo para enviar o recibir faxes si un teléfono de extensión está descolgado o si se está usando el módem de acceso telefónico de equipo para enviar correos electrónicos o para acceder a Internet.

Si utiliza un bifurcador telefónico, éste podría ser la causa de los problemas en el envío y la recepción de faxes. Intente conectar el dispositivo directamente a la clavija de teléfono.

Asegúrese de que un extremo del cable telefónico esté conectado al conector telefónico de pared y que el otro extremo esté conectado al puerto "1-LINE" en la parte posterior del dispositivo.

Intente conectar un teléfono que funcione directamente al conector telefónico de pared y verifique que tenga tono de llamada; si no hay tono, comuníquese con la compañía telefónica para que revisen la línea.

Asegúrese de conectar el dispositivo a una línea telefónica analógica o no podrá enviar ni recibir faxes. Para comprobar si su línea telefónica es digital, conecte un teléfono analógico corriente a la línea y escuche el tono de llamada. Si no se oye un tono de llamada normal, es posible que sea una línea telefónica configurada para teléfonos digitales. Conecte el dispositivo a una línea telefónica analógica e intente enviar o recibir fax.

La conexión de la línea telefónica puede tener ruido. Las líneas telefónicas con una calidad de sonido deficiente (ruido) pueden causar problemas con el fax. Verifique la calidad de sonido de la línea telefónica conectando un teléfono a la toma telefónica de pared y comprobando si hay ruido estático o de otro tipo. Si oye ruido, desactive **Modo corrección errores (ECM)** e intente enviar o recibir faxes de nuevo.

Si utiliza un servicio de línea digital de abonado (DSL), asegúrese de que cuenta con un filtro DSL conectado. Sin este filtro, no podrá enviar ni recibir faxes correctamente.

Si utiliza un sistema telefónico de intercambio privado de sucursales (PBX) o un adaptador de red digital de servicios integrados (RDSI) de conversor/terminal, asegúrese de que el dispositivo esté conectado al puerto correcto y que el adaptador de terminal esté configurado en el tipo de conmutación correspondiente al país o región.

<p>El dispositivo puede enviar faxes, pero no puede recibirlos</p>	<p>Si no utiliza un servicio de timbre especial, asegúrese de que la función Distinctive Ring (Timbre distintivo) del dispositivo esté establecida en All Rings (Todos los timbres).</p> <hr/> <p>Si la opción Auto Answer (Respuesta automática) está configurada en Off (Desactivado) o tiene un servicio de correo de voz en el mismo número de teléfono que utiliza para las llamadas de fax, sólo podrá recibir faxes manualmente.</p> <hr/> <p>Si tiene un equipo con módem de acceso telefónico de equipo en la misma línea telefónica que el dispositivo, asegúrese de que el software que viene con el módem no esté configurado para recibir faxes en forma automática.</p> <hr/> <p>Si tiene un contestador automático en la misma línea telefónica que el dispositivo:</p> <ul style="list-style-type: none"> • Verifique que el contestador automático funcione correctamente. • Asegúrese de que la configuración sea como la que aparece en el segundo ejemplo de la Tabla 3-1 en la página 13. • Asegúrese de que el dispositivo esté configurado para recibir faxes en forma automática. • Compruebe que la configuración de Rings to Answer (Timbres antes de responder) tenga un número mayor de timbres que el contestador automático. • Desconecte el contestador automático e intente recibir un fax. • El mensaje debe durar unos 10 segundos. Hable lento y bajo cuando grabe el mensaje. Cuando termine el mensaje, deje pasar 5 segundos antes de detener la grabación. <hr/> <p>Es posible que otro equipo que utiliza la misma línea telefónica esté provocando el error de la prueba. Puede desconectar los otros dispositivos y volver a realizar la prueba. Si se supera la prueba de detección de tono de llamada, algún otro equipo está causando los problemas. Intente conectar de nuevo una a una las piezas y vuelva a realizar la prueba en cada ocasión hasta que identifique la pieza del equipo que causa el problema.</p>
<p>El dispositivo no puede enviar faxes, pero sí recibirlos</p>	<p>Es posible que el dispositivo marque demasiado rápido o demasiado pronto. Por ejemplo, si necesita acceder a una línea externa con el "9," intente introducir pausas de la siguiente forma: 9-XXX-XXXX (donde XXX-XXXX es el número de fax receptor). Para introducir una pausa pulse Redial/Pause (Rellamada/Pausa) o bien pulse el botón Space (Espacio) (#) varias veces hasta que aparezca un guión (-) en la pantalla.</p>
<p>En la pantalla siempre aparece Teléfono descolgado</p>	<p>Está utilizando un tipo de cable telefónico incorrecto. Vea los dos primeros problemas en "El dispositivo tiene dificultades para enviar y recibir faxes" en la página 30.</p>
<p>El dispositivo tiene dificultades para enviar faxes manuales</p>	<p>Esta posible solución sólo se aplica en los países/regiones que reciben un cable telefónico de 2 hilos en la caja del dispositivo, entre los que se incluyen: Argentina, Australia, Brasil, Canadá, Chile, China, Colombia, Grecia, India, Indonesia, Irlanda, Japón, Corea, América Latina, Malasia, México, Filipinas, Polonia, Portugal, Rusia, Arabia Saudita, Singapur, España, Taiwán, Tailandia, EE.UU., Venezuela y Vietnam.</p> <hr/> <p>Asegúrese de que la configuración sea como la que aparece en el primer ejemplo de la Tabla 3-1 en la página 13.</p> <hr/> <p>Si envía un fax en forma manual desde su teléfono que está conectado directamente al dispositivo, debe usar el teclado numérico del teléfono para enviar el fax.</p>
<p>Los tonos de fax se graban en el contestador automático</p>	<p>Vea el cuarto problema en "El dispositivo puede enviar faxes, pero no puede recibirlos" en la página 31.</p>

El cable telefónico que viene con el dispositivo no es lo suficientemente largo

Si el cable telefónico que viene con el dispositivo no es lo suficientemente largo, puede utilizar un acoplador para ampliar la longitud. Podrá comprar un acoplador en una tienda de electrónica que venda accesorios telefónicos. También necesitará otro cable telefónico, que puede ser uno estándar que ya tenga en su casa u oficina.

1. Con el cable telefónico que se suministra en la caja del dispositivo, conecte uno de sus extremos al acoplador y el otro extremo, al puerto 1-LINE ubicado en la parte posterior del dispositivo.
2. Conecte un segundo cable telefónico al puerto libre del acoplador y al conector telefónico de pared.

Solución de problemas y herramientas de configuración

Las siguientes herramientas están disponibles para la solución de problemas o la configuración del dispositivo. Para obtener más información, consulte la guía del usuario en pantalla del Starter CD.

Página de autodiagnóstico

Use la página de autodiagnóstico para ver los parámetros actuales del dispositivo, ayudar a solucionar los problemas y verificar la instalación de accesorios opcionales, tal como el duplexor. La página de autodiagnóstico también contiene un registro de los eventos recientes. Si necesita llamar a HP, imprima una página de autodiagnóstico antes de hacer la llamada.

Para imprimir la página de autodiagnóstico

1. En el panel de control, pulse el botón **Configurar**.
2. Seleccione **Print Report** (Imprimir informe), **Self-Test Report** (Informe de comprobación) y, a continuación, pulse **OK**.

Página de configuración de red

Si el dispositivo está conectado a una red, puede imprimir una Página de configuración de la red para ver las configuraciones de red del dispositivo. Puede utilizar esta página para resolver los problemas de conectividad de la red.

Para imprimir la página de configuración de red

1. En el panel de control, pulse el botón **Configurar**.
2. Si el dispositivo tiene un visor de dos líneas, seleccione **Network Setup** (Configuración de red), seleccione **Print Network Settings** (Imprimir configuración de la red) y pulse **OK** (Aceptar).

Si el dispositivo tiene un visor en color, seleccione **Network** (Red), seleccione **View Network Settings** (Ver configuración de la red), seleccione **Print Network Configuration Page** (Imprimir página de configuración en red) y pulse **OK**.

Servidor Web incorporado

Un servidor Web proporciona un entorno en el cual se pueden ejecutar los programas Web, en forma muy parecida a un sistema operativo, tal como Microsoft® Windows®, proporciona un entorno en el cual los programas se pueden ejecutar en el equipo. Un navegador Web, tal como Microsoft Internet Explorer, Netscape, Opera, Mozilla Firefox o Safari pueden mostrar elementos desde un servidor Web.

Un servidor Web incorporado (EWS) reside en un producto de hardware (tal como una impresora) o en el firmware, en lugar de ser un software cargado en un servidor de red. La ventaja de un servidor Web incorporado es que proporciona una interfaz al producto que puede abrir y utilizar cualquier usuario que disponga de un PC conectado a una red y un navegador Web estándar. No se requiere tener instalado ni configurado ningún software especial.

Con el Servidor Web incorporado HP, puede ver información de estado del producto, cambiar configuraciones y manejar el producto desde el equipo.

Para abrir el servidor Web incorporado

En un explorador Web compatible de su equipo, escriba la dirección IP que ha sido asignada al dispositivo. Por ejemplo, si la dirección IP es 123.123.123.123, escriba la siguiente dirección en el explorador Web:

`http://123.123.123.123`

La dirección IP para el dispositivo aparece en la página de configuración de red.

Después de abrir el servidor Web incorporado, puede agregarlo a los favoritos para poder regresar a él rápidamente en el futuro.

Declaración de garantía limitada de Hewlett-Packard

Producto HP	Duración de la garantía limitada
Medio de almacenamiento del software	90 días
Impresora	1 año
Cartuchos de tinta o impresión	La garantía es válida hasta que se agote la tinta HP o hasta que se alcance la fecha de "fin de garantía" indicada en el cartucho, cualquiera de los hechos que se produzca en primer lugar. Esta garantía no cubrirá los productos de tinta HP que se hayan rellenado o manipulado, se hayan vuelto a limpiar, se hayan utilizado incorrectamente o se haya alterado su composición.
Accesorios	1 año, a no ser que se especifique otro dato

A. Alcance de la garantía limitada

- Hewlett-Packard (HP) garantiza al usuario final que el producto de HP especificado no tendrá defectos de materiales ni mano de obra por el periodo anteriormente indicado, cuya duración empieza el día de la compra por parte del cliente.
- Para los productos de software, la garantía limitada de HP se aplica únicamente a la incapacidad del programa para ejecutar las instrucciones. HP no garantiza que el funcionamiento de los productos se interrumpa o no contenga errores.
- La garantía limitada de HP abarca sólo los defectos que se originen como consecuencia del uso normal del producto, y no cubre otros problemas, incluyendo los originados como consecuencia de:
 - Mantenimiento o modificación indebidos;
 - Software, soportes de impresión, piezas o consumibles que HP no proporcione o no admita;
 - Uso que no se ajuste a las especificaciones del producto;
 - Modificación o uso incorrecto no autorizados.
- Para los productos de impresoras de HP, el uso de un cartucho que no sea de HP o de un cartucho recargado no afecta ni a la garantía del cliente ni a cualquier otro contrato de asistencia de HP con el cliente. No obstante, si el error o el desperfecto en la impresora se atribuye al uso de un cartucho que no sea de HP, un cartucho recargado o un cartucho de tinta caducado, HP cobrará aparte el tiempo y los materiales de servicio para dicho error o desperfecto.
- Si durante la vigencia de la garantía aplicable, HP recibe un aviso de que cualquier producto presenta un defecto cubierto por la garantía, HP reparará o sustituirá el producto defectuoso como considere conveniente.
- Si HP no logra reparar o sustituir, según corresponda, un producto defectuoso que esté cubierto por la garantía, HP reembolsará al cliente el precio de compra del producto, dentro de un plazo razonable tras recibir la notificación del defecto.
- HP no tendrá obligación alguna de reparar, sustituir o reembolsar el precio del producto defectuoso hasta que el cliente lo haya devuelto a HP.
- Los productos de sustitución pueden ser nuevos o seminuevos, siempre que sus prestaciones sean iguales o mayores que las del producto sustituido.
- Los productos HP podrían incluir piezas, componentes o materiales refabricados equivalentes a los nuevos en cuanto al rendimiento.
- La Declaración de garantía limitada de HP es válida en cualquier país en que los productos HP cubiertos sean distribuidos por HP. Es posible que existan contratos disponibles para servicios de garantía adicionales, como el servicio in situ, en cualquier suministrador de servicios autorizado por HP, en aquellos países donde HP o un importador autorizado distribuyan el producto.

B. Limitaciones de la garantía

HASTA DONDE LO PERMITAN LAS LEYES LOCALES, NI HP NI SUS TERCEROS PROVEEDORES OTORGAN NINGUNA OTRA GARANTÍA O CONDICIÓN DE NINGÚN TIPO, YA SEAN GARANTÍAS O CONDICIONES DE COMERCIALIZACIÓN EXPRESAS O IMPLÍCITAS, CALIDAD SATISFACTORIA E IDONEIDAD PARA UN FIN DETERMINADO.

C. Limitaciones de responsabilidad

- Hasta donde lo permitan las leyes locales, los recursos indicados en esta Declaración de garantía son los únicos y exclusivos recursos de los que dispone el cliente.
- HASTA EL PUNTO PERMITIDO POR LA LEY LOCAL, EXCEPTO PARA LAS OBLIGACIONES EXPUESTAS ESPECÍFICAMENTE EN ESTA DECLARACIÓN DE GARANTÍA, EN NINGÚN CASO HP O SUS PROVEEDORES SERÁN RESPONSABLES DE LOS DAÑOS DIRECTOS, INDIRECTOS, ESPECIALES, INCIDENTALES O CONSECUENCIALES, YA ESTÉ BASADO EN CONTRATO, RESPONSABILIDAD EXTRA CONTRACTUAL O CUALQUIER OTRA TEORÍA LEGAL, Y AUNQUE SE HAYA AVISADO DE LA POSIBILIDAD DE TALES DAÑOS.

D. Legislación local

- Esta Declaración de garantía confiere derechos legales específicos al cliente. El cliente podría también gozar de otros derechos que varían según el estado (en Estados Unidos), la provincia (en Canadá), o la entidad gubernamental en cualquier otro país del mundo.
- Hasta donde se establezca que esta Declaración de garantía contraviene las leyes locales, dicha Declaración de garantía se considerará modificada para acatar tales leyes locales. Bajo dichas leyes locales, puede que algunas de las declinaciones de responsabilidad y limitaciones estipuladas en esta Declaración de garantía no se apliquen al cliente. Por ejemplo, algunos estados en Estados Unidos, así como ciertas entidades gubernamentales en el exterior de Estados Unidos (incluidas las provincias de Canadá) pueden:
 - Evitar que las renunciaciones y limitaciones de esta Declaración de garantía limiten los derechos estatutarios del cliente (por ejemplo, en el Reino Unido);
 - Restringir de otro modo la capacidad de un fabricante de aumentar dichas renunciaciones o limitaciones; u
 - Ofrecer al usuario derechos adicionales de garantía, especificar la duración de las garantías implícitas a las que no puede renunciar el fabricante o permitir limitaciones en la duración de las garantías implícitas.
- LOS TÉRMINOS ENUNCIADOS EN ESTA DECLARACIÓN DE GARANTÍA, SALVO HASTA DONDE LO PERMITA LA LEY, NO EXCLUYEN, RESTRINGEN NI MODIFICAN LOS DERECHOS ESTATUTARIOS OBLIGATORIOS PERTINENTES A LA VENTA DE PRODUCTOS HP A DICHOS CLIENTES, SINO QUE SON ADICIONALES A LOS MISMOS.

Información sobre la Garantía Limitada del Fabricante HP

Estimado Cliente:

Adjunto puede encontrar el nombre y dirección de las entidades HP que proporcionan la Garantía Limitada de HP (garantía del fabricante) en su país.

Usted puede tener también frente al vendedor los derechos que la ley le conceda, conforme a lo estipulado en el contrato de compra, que son adicionales a la garantía del fabricante y no quedan limitados por ésta.

España: Hewlett-Packard Española S.L., C/ Vicente Aleixandre 1, Parque Empresarial Madrid - Las Rozas, 28230 Las Rozas, Madrid

Conteúdo

1 Configurar o dispositivo		6 Solução de problemas	
Antes de começar	2	Solucionando problemas de instalação	26
Configurar o dispositivo	2	Solucionando problemas de rede (apenas alguns modelos)	27
Concluir a instalação	4	Solucionando problemas de rede (apenas alguns modelos)	28
Como obter mais informações	5	Solucionando problemas de Arquivamento digital direto (opcional)	29
2 Identificação das peças do dispositivo		Solucionando problemas de fax (opcional)	30
Visão frontal	6	Ferramentas de solução de problemas e de configuração	32
Visão traseira	7		
Painel de controle	8	Declaração de garantia limitada da Hewlett-Packard	
3 Configurar o fax (opcional)			
Sistema telefônico serial x paralelo	10		
Linha telefônica dedicada	11		
Linha telefônica compartilhada	12		
Gerenciando e definindo configurações de fax	17		
Configurar entradas de discagem rápida	17		
Testar configuração do fax	17		
4 Configurar o recurso de Arquivamento digital direto para digitalização (opcional)			
Informações necessárias	20		
Etapa 1: Criar e compartilhar uma pasta na rede	21		
Etapa 2: Configurar um atalho para a pasta na rede	22		
Etapa 3: Testar e usar o Arquivamento digital direto	22		
5 Configurar o dispositivo para comunicação sem fio (opcional)			
Informações necessárias	23		
Entendendo configurações de rede sem fio 802.11	23		
Configure o dispositivo para comunicação sem fio utilizando o painel de controle	24		
Configure o dispositivo para comunicação sem fio utilizando software	24		

1 Configurar o dispositivo

Esta seção resume o processo de configuração do dispositivo.

Antes de começar

Prepare o local

Certifique-se de que o local em que você colocará o dispositivo atenda aos seguintes requisitos.

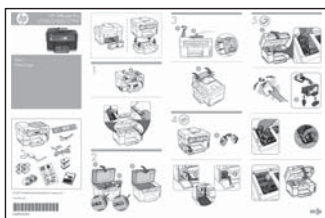
- A superfície deve ser resistente e plana.
- Certifique-se de deixar espaço suficiente para que você possa mexer na parte traseira do dispositivo e abrir a tampa do scanner.
- Não coloque o dispositivo exposta diretamente à luz solar ou próximo a produtos químicos. Certifique-se de que o ambiente não enfrente alterações abruptas de temperatura ou umidade.

Temperatura	15° a 35° C (59° a 95° F)
-------------	---------------------------

Umidade relativa	10% a 80%
------------------	-----------

Configurar o dispositivo

Esta seção resume as etapas que devem ser seguidas para configurar o dispositivo. Para obter mais informações, consulte o pôster de configuração fornecido com o dispositivo.



NOTA: Verifique o conteúdo do pacote e instale acessórios opcionais.

1. Remova a fita e os materiais de embalagem.

NOTA: Certifique-se de remover a espuma ou o material de embalagem da área do cabeçote de impressão.

2. Instale a face de vidro do painel de controle.
3. Instale a bandeja do alimentador de documentos.
4. Instale os cartuchos de tinta.

NOTA: Os quatro cartuchos de tinta devem estar corretamente instalados para que o dispositivo funcione. A tinta dos cartuchos é usada no processo de impressão de várias maneiras, incluindo o processo de inicialização que prepara o dispositivo e os cartuchos para impressão, e o serviço de manutenção do cabeçote de impressão, que mantém os bicos de impressão limpos e a tinta fluindo normalmente. Além disso, sempre fica um pouco de tinta no cartucho após seu uso. Para obter mais informações, consulte www.hp.com/go/inkusage.

5. Instale os cabeçotes de impressão.

CUIDADO: Pressione o cabeçote de impressão firmemente para garantir o contato adequado antes de fechar a trava do cabeçote.

6. Conecte o cabo de força e o adaptador e ligue o dispositivo.

NOTA: Defina o idioma e o país/região (se necessário), e também a data e a hora, no visor.

7. Quando solicitado, carregue o papel e pressione o botão OK.
- Levante a bandeja de saída.
 - Insira até 250 folhas de papel na bandeja 1, com o lado de impressão para baixo, no lado direito da bandeja. Certifique-se de que a pilha de papel está alinhada com as extremidades direita e traseira da bandeja, e não excede a marcação de linha da bandeja.

NOTA: A bandeja 2 pode ser carregada somente com papel comum.

- Deslize as guias de papel na bandeja para o tamanho que está sendo colocado.
- Abaixe a bandeja de saída e puxe a extensão para fora.

Para garantir a melhor qualidade de impressão possível, o dispositivo é inicializada e alinha os cabeçotes de impressão. Esse processo leva aproximadamente 12 minutos.

8. Instale o software e conecte o dispositivo dispositivo.

Você pode conectar o dispositivo utilizando um dos seguintes tipos de conexão:

- USB
- Rede Ethernet (apenas alguns modelos).
- Rede sem fio (802.11) (apenas alguns modelos).
- Fax (apenas alguns modelos).

Para obter mais informações sobre o software e a conectividade do dispositivo, consulte o guia do usuário na tela do Starter CD.



- Insira o Starter CD, clique em **Instalar** (Windows) ou **Instalar software** (Mac OS) e siga as instruções exibidas na tela para concluir a instalação do software.

NOTA: Se o menu do CD não for iniciado automaticamente, clique duas vezes no ícone de instalação no Starter CD.

- Quando solicitado, conecte o cabo USB ao computador.



- Remova a tampa protetora do conector de rede do dispositivo.
- Conecte o cabo de rede ao conector e a uma porta disponível no hub, switch ou roteador da rede. Se a luz Link do conector não for acesa, tente uma porta diferente.

CUIDADO: Não conecte o cabo de rede a uma porta nomeada WAN, Uplink ou Internet no hub, switch ou roteador.

- Insira o Starter CD, clique em **Instalar** (Windows) ou **Instalar software** (Mac OS) e siga as instruções exibidas na tela para concluir a instalação do software.

Se o programa de instalação exibir mais de um exemplo de dispositivo, imprima uma página de configuração de rede para selecionar o adequado.

NOTA: Se o menu do CD não for iniciado automaticamente, clique duas vezes no ícone de instalação no Starter CD.

- Imprima a página de Configuração da rede. Esta página contém informações necessárias para configuração. No painel de controle, pressione o botão **Setup (Configurar)** e execute um dos procedimentos a seguir:
 - Se o dispositivo tiver um visor de duas linhas, selecione **Network Settings (Configurações da rede)**, selecione **Print Network Settings (Imprimir configurações da rede)** e pressione OK.
 - Se o dispositivo tiver um visor colorido, selecione **Network (Rede)**, **View Network Settings (Exibir configurações de rede)**, **Print Network Configuration Page (Imprimir página de configuração de rede)** e pressione OK.



Para obter informações sobre comunicação sem fio e instruções de configuração, consulte "Configurar o dispositivo para comunicação sem fio (opcional)" na página 23.



Fax

Se instalar o software utilizando o programa de instalação no Starter CD, será possível definir as configurações de fax quando o software dispositivo for instalado utilizando o Assistente de configuração de fax (Windows) ou o HP Device Manager (Mac OS). Para obter mais informações sobre como configurar o fax, consulte "Configurar o fax (opcional)" na página 10.

9. Configurar o recurso de Arquivamento digital direto (opcional).

Para obter instruções de configuração, consulte "Configurar o recurso de Arquivamento digital direto para digitalização (opcional)" na página 20.

com o canto superior esquerdo do documento localizado no canto inferior direito do vidro.



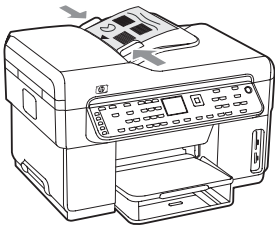
8. Feche o scanner.

9. Pressione **START COPY Black (INICIAR CÓPIA - Preta)** ou **START COPY Color (INICIAR CÓPIA - Colorida)**. O dispositivo realiza uma cópia do documento. Se você tiver qualquer problema, consulte "Solucionando problemas de instalação" na página 26.

Concluir a instalação

Verifique se o dispositivo está configurada corretamente

1. Imprimir um documento em um aplicativo utilizado com frequência.
2. Coloque o documento na bandeja do alimentador de documentos com o lado de impressão para cima e a primeira página em cima.
3. Ajuste os controles de largura de acordo com o tamanho do documento.



4. Pressione **START COPY Black (INICIAR CÓPIA - Preta)** ou **START COPY Color (INICIAR CÓPIA - Colorida)**. O dispositivo realiza uma cópia do documento. Se você tiver qualquer problema, consulte "Solucionando problemas de instalação" na página 26.
5. Remover o documento da bandeja de saída do ADF.
6. Abra a tampa do scanner.
7. Coloque a primeira página do documento com o lado de impressão para baixo no vidro do scanner

Verifique se o software do dispositivo está instalado corretamente

Para verificar se o software do dispositivo foi instalado corretamente, inicie o software e conclua as tarefas básicas (como impressão de um documento ou envio de uma digitalização para o computador).

Para abrir o software HP Photosmart (Windows)

1. Na área de trabalho do Windows, clique duas vezes com o botão direito do mouse no ícone do software HP Photosmart.
2. Se houver mais de um dispositivo HP instalado, selecione a guia apropriada para o dispositivo.

Para abrir o software HP Photosmart Studio (Mac OS)

1. Clique no ícone HP Photosmart Studio na Área de trabalho.
2. Clique em **Device (Dispositivo)** e selecione um dispositivo.

Para obter mais informações sobre o uso do software do dispositivo, consulte a ajuda on-line do software.

Registre o dispositivo

Se ainda não tiver feito isso, acesse www.register.hp.com e registre o dispositivo.

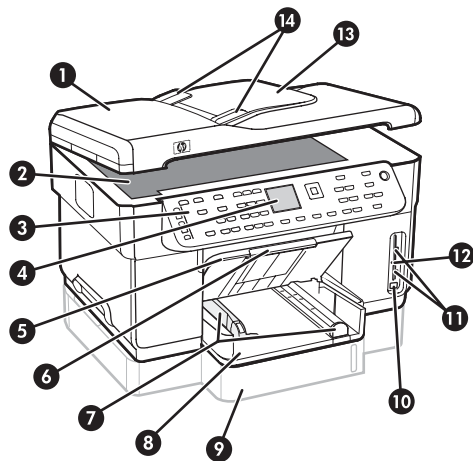
Como obter mais informações

Para obter mais informações sobre como utilizar o dispositivo e solucionar problemas, consulte os seguintes recursos:

- Guia do usuário e arquivo Leiamos exibidos na tela do Starter CD ou em www.hp.com/support
- Suporte instantâneo HP e servidor da Web incorporado (consulte o guia do usuário na tela)
- Site de assistência ao produto, no endereço www.hp.com/support

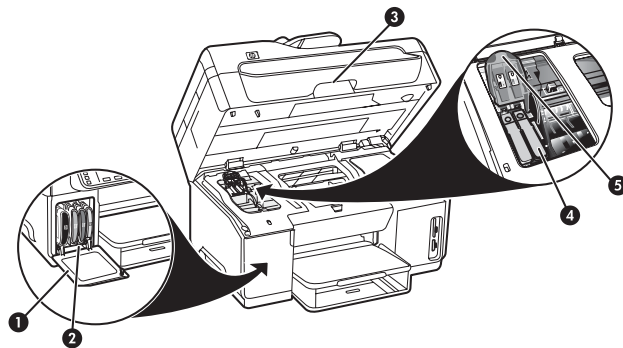
2 Identificação das peças do dispositivo

Visão frontal



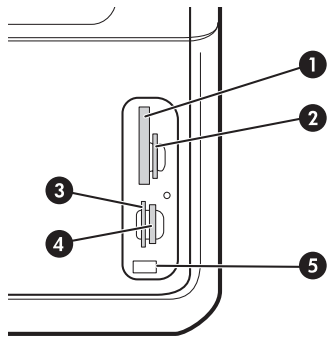
- 1 Alimentador automático de documentos (ADF, Automatic Document Feeder)
- 2 Vidro do scanner
- 3 Painel de controle
- 4 Visor
- 5 Bandeja de saída
- 6 Extensão da bandeja de saída
- 7 Guias de tamanho/largura
- 8 Bandeja 1
- 9 Bandeja 2 (disponível em alguns modelos)
- 10 Porta frontal USB (Universal Serial Bus)
- 11 Slots de cartão de memória
- 12 Luz do dispositivo de memória
- 13 Bandeja do alimentador de documentos
- 14 Guias de largura

Áreas de suprimentos de impressão



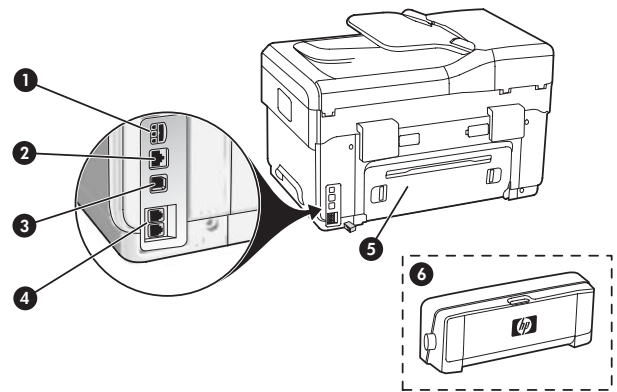
- 1 Porta do cartucho de tinta
- 2 Cartuchos de tinta
- 3 Porta de acesso do cartucho de impressão
- 4 Cabeçotes de impressão
- 5 Trava do cabeçote de impressão

Slots de cartão de memória



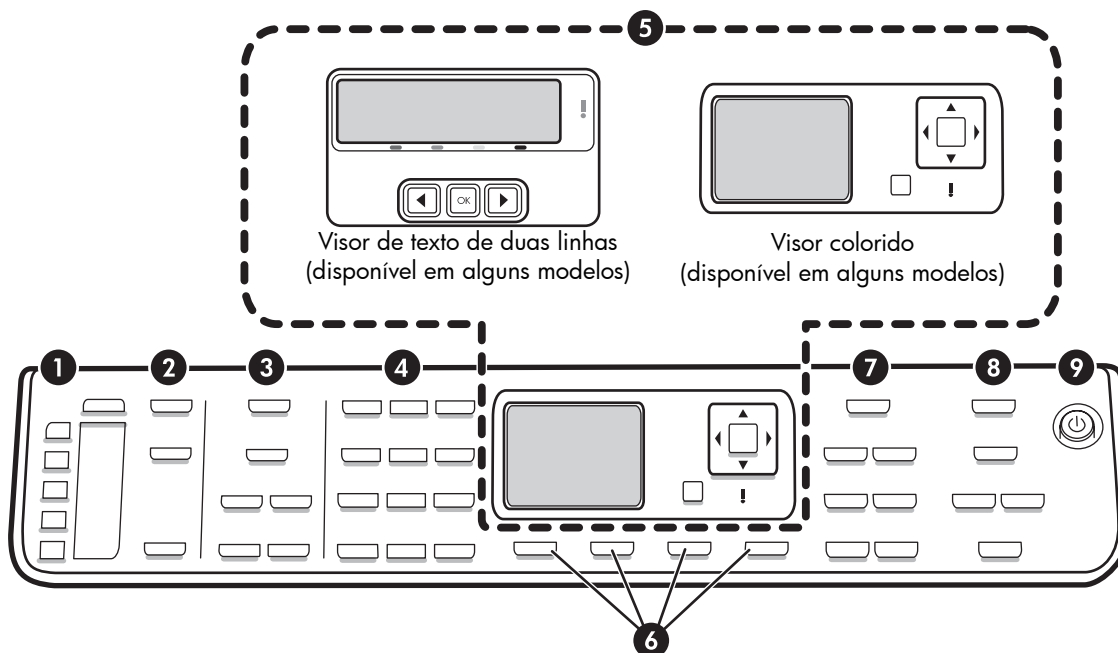
- 1 Flash compacto (tipos I e II, somente em estado sólido)
- 2 Secure Digital, MultimediaCard (MMC), Secure MMC
- 3 xD
- 4 Memory Stick, Magic Gate Memory Stick, Memory Stick Duo e Memory Stick Pro
- 5 Porta frontal USB (habilitada para PictBridge)

Visão traseira



- 1 Entrada de energia
- 2 Porta de rede Ethernet (apenas alguns modelos)
- 3 Porta USB traseira
- 4 Portas de fax (1-LINE e 2-EXT)
- 5 Painel de acesso traseiro (apenas alguns modelos)
- 6 Acessório de impressão dupla-face automático (duplexador), (apenas alguns modelos)

Painel de controle



NOTA: O layout e os recursos do painel de controle variam de acordo com o modelo do dispositivo que você tem. O dispositivo pode não ter todos os botões e luzes descritos nesta seção.

1 - Discagem rápida

Botões de discagem rápida: Acesse os cinco primeiros números de discagem rápida. Uma entrada pode ser um número de fax ou um grupo de números de fax ou uma pasta da rede.

Lista de entradas de discagem rápida: Identifique as entradas de discagem rápida que correspondem aos cinco botões de discagem rápida. Você pode escrever as entradas no papel fornecido, ou nas listas de impressão a serem inseridas.

2 - DIGITALIZAR

Menu Digitalização: Selecione um destino de digitalização.

Arquivamento digital: Abra o catálogo de endereços de discagem do Arquivamento digital direto para selecionar um destino para a digitalização.

INICIAR DIGITALIZAÇÃO: Inicie um trabalho de digitalização ou envie-o para o destino selecionado utilizando o botão Scan Menu (Menu Digitalização).

3 - FAX

Menu: Abra o menu para a função do fax.

Bloqueador de fax indesejado: Abra o menu Junk Fax Blocker (Bloqueador de fax indesejado) em que é possível adicionar ou excluir números de uma lista de números de fax bloqueados e relatórios de exibição. Esse recurso estará disponível apenas se o ID do responsável pela chamada estiver configurado na empresa de telefonia.

Resolução: Ajuste a velocidade e a qualidade de faxes enviados do dispositivo.

Redisar/Pausar: Redisque o número de fax discado mais recentemente.

Resposta automática: Defina a função de fax para atender automaticamente o telefone após um número específico de toques.

INICIAR FAX - Preto ou **INICIAR FAX - Colorido:** Inicie o fax, em preto-e-branco ou colorido.

4 - Teclado

Digite números, valores ou texto de fax.

5 - Visor

NOTA: Alguns modelos do dispositivo têm um visor de duas linhas e outros têm um visor colorido.

Mostrar mensagens de status e de erro, menus de modo e de configuração e suas opções, informações de ajuda e níveis do cartucho de tinta.

Botões de seta: Mova entre as opções do menu ou entre fotos no visor colorido (se disponível).

OK: Selecione um menu, configuração ou, se o dispositivo tiver um visor colorido, selecione fotos para impressão.

Voltar: Retorna ao menu anterior.

6 - Outros botões

Configuração: Acesse o sistema do menu para relatórios, configurações e manutenção.

2 lados: Selecione saída de dois lados (se uma unidade dúplex estiver instalada).

? **Ajuda:** Mostra informações adicionais sobre mensagens ou menus mostrados no visor. Para problemas de hardware, mostra uma mensagem que explica o problema. Se o dispositivo não tiver um botão Ajuda, utilize o botão Configurar para acessar a ajuda.

✕ **Cancelar:** Interromper um trabalho, fechar um menu ou configurações.

7 - COPIAR

Menu: Abra o menu para a função de cópia.

Reduzir/aumentar: Aumenta o tamanho da cópia.

Número de cópias: Seleciona o número de cópias, utilizando as teclas de seta ou digitando o número diretamente utilizando o teclado.

Intercalar: Definir a seqüência da saída copiada na ordem exata em que é digitalizada no vidro do scanner ou no ADF.

Qualidade: Controla a velocidade e a qualidade das cópias. A luz de qualidade acende próximo da qualidade de cópia selecionada.

INICIAR CÓPIA - Preta ou **INICIAR CÓPIA - Colorida:** Inicie a cópia, em preto-e-branco ou colorido.

8 - FOTO

Menu: Abra o menu para a função de foto.

Índice de fotos: Imprime um índice de fotos quando um cartão de memória é inserido no slot de cartão de memória.

Girar: Se o dispositivo tiver um visor colorido, gire 90 graus a foto exibida no momento. Pressionamentos subsequentes continuam girando a foto 90 graus.

Zoom (- e +): Se o dispositivo tiver um visor colorido, aumente ou reduza a imagem.

IMPRIMIR FOTOS: Inicia o trabalho de impressão da foto.

9 - Botão e luzes de energia

⏻ **Botão de energia:** Ligue ou desligue o dispositivo. Quando o dispositivo estiver desligada, uma quantidade mínima de energia ainda será fornecida para o dispositivo. Para desconectar completamente a fonte de energia do dispositivo, desligue o dispositivo e desconecte o cabo de força.

Quando acesa, indica que o dispositivo está ligada. A luz pisca ao executar um trabalho.

📶 **Luz de status da rede:** Indica o status do dispositivo de uma rede.

📶 **Luz status da rede sem fio (802.11):** Indica o status do dispositivo de uma rede sem fio.

! **Luz de atenção:** Quando está piscando, a luz Atenção indica que ocorreu um erro que exige atenção.

3 Configurar o fax (opcional)

Este capítulo fornece instruções para a configuração do fax em diversas definições de configuração diferentes.

- Utilizando uma linha telefônica dedicada
- Utilizando uma linha telefônica compartilhada
- Gerenciando e configurando o fax
 - Configurando o modo de resposta
 - Configurando o número de toques até atender
 - Alterando o padrão de toque de resposta para toques distintos
 - Configurando o cabeçalho do fax
 - Testando a configuração do fax

Para obter mais informações sobre os recursos de fax, consulte o guia do usuário na tela do Starter CD.

NOTA: O fax é suportado apenas em alguns modelos.

CUIDADO: Se você não utilizar o cabo fornecido para conectar o dispositivo à tomada do telefone na parede, talvez você não consiga enviar fax corretamente.

Este cabo telefônico especial é diferente dos cabos que você pode já possuir em sua casa ou escritório. Se o cabo telefônico fornecido for muito curto, consulte o guia do usuário exibido na tela do Starter CD para obter informações.

Sistema telefônico serial x paralelo

Antes de começar a configurar o dispositivo para enviar e receber fax, determine o tipo de sistema telefônico utilizado em seu país/região.

NOTA: As instruções para configuração do fax podem variar conforme o sistema telefônico, paralelo ou serial.

Se seu país/região não estiver listado nas seções a seguir, é provável que tenha um sistema telefônico serial. Se não estiver certo sobre o tipo do seu sistema telefônico (serial ou paralelo), verifique com a sua empresa telefônica.

Países/regiões com sistemas telefônicos paralelos

No sistema telefônico paralelo, é possível conectar equipamentos telefônicos compartilhados à linha telefônica, utilizando a porta "2-EXT" na parte traseira do dispositivo.

Argentina	Austrália	Brasil
Canadá	Chile	China
Colômbia	Grécia	Índia
Indonésia	Irlanda	Japan
Korea	América Latina	Malásia
México	Filipinas	Polônia
Portugal	Rússia	Arábia Saudita
Cingapura	Espanha	Taiwan
Tailândia	EUA	Venezuela
Vietnã		

NOTA: Se você tiver um sistema telefônico paralelo, a HP recomenda a utilização do cabo telefônico de dois fios fornecido com o dispositivo para conectá-lo à tomada de telefone.

Países/regiões com sistemas telefônicos seriais

Em um sistema telefônico serial, o tipo de conector em seu equipamento de telefone compartilhado (modems, telefones e secretárias eletrônicas) não permite uma conexão física com a porta "2-EXT" no dispositivo. Em vez disso, todo equipamento deve ser conectado ao plugue do telefone.

NOTA: Em alguns países/regiões que utilizam sistemas telefônicos do tipo serial, o cabo telefônico que acompanha o dispositivo pode ter uma tomada adicional conectada a ele. Isso permite conectar outros dispositivos de telecomunicações à tomada na qual foi conectado o dispositivo.

Para obter informações sobre a configuração do dispositivo de fax, utilizando o sistema telefônico serial, consulte o site da Web Configuração de fax para seu país/região.

Áustria	www.hp.com/at/faxconfig
Bélgica (holandês)	www.hp.be/nl/faxconfig
Bélgica (francês)	www.hp.be/fr/faxconfig
Dinamarca	www.hp.dk/faxconfig
Finlândia	www.hp.fi/faxconfig
França	www.hp.com/fr/faxconfig
Alemanha	www.hp.com/de/faxconfig
Irlanda	www.hp.com/ie/faxconfig
Itália	www.hp.com/it/faxconfig
Noruega	www.hp.no/faxconfig
Holanda	www.hp.nl/faxconfig
Portugal	www.hp.pt/faxconfig
Espanha	www.hp.es/faxconfig
Suécia	www.hp.se/faxconfig
Suíça (francês)	www.hp.com/ch/fr/faxconfig
Suíça (alemão)	www.hp.com/ch/de/faxconfig
Reino Unido	www.hp.com/uk/faxconfig

Linha telefônica dedicada

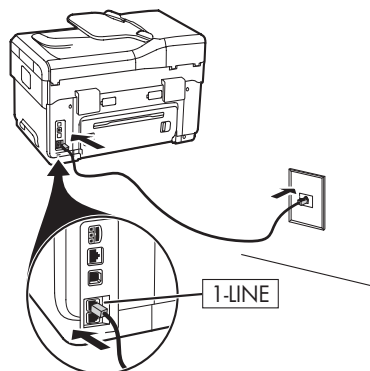
Utilize esta seção se você planeja usar o seguinte tipo de linha telefônica para o fax:

- Linha telefônica dedicada (nenhum outro dispositivo, como um telefone ou secretária eletrônica, compartilha a linha).
- Linha telefônica dedicada sem dispositivos compartilhando a linha, mas com uma assinatura para um serviço de toque diferenciado da companhia telefônica.
- Sistema PBX (Private Branch Exchange) ou uma linha ISDN (Integrated Services Digital Network). Para obter mais informações sobre as linhas PBX ou ISDN, consulte o guia do usuário exibido na tela do Starter CD.

NOTA: Você não poderá receber faxes automaticamente se tiver um serviço de correio de voz no mesmo número de telefone utilizado para chamadas de fax. Você deverá receber faxes manualmente; isso significa que você deve estar disponível para atender pessoalmente a chamadas de fax de entrada. Se você deseja receber faxes automaticamente, entre em contato com a empresa telefônica para assinar um serviço de toque distintivo, ou para obter uma linha telefônica exclusiva para envio e recebimento de fax.

Configure o dispositivo para atender a chamadas de entrada manualmente. Pressione o botão **Auto Answer (Resposta automática)** até que a luz seja desligada.

1. Desconecte os dispositivos telefônicos da tomada do telefone à qual você está conectando o dispositivo.
2. Conecte o cabo telefônico fornecido com o dispositivo entre a porta 1-LINE no dispositivo e a tomada do telefone.



3. Se assinar um serviço de toque diferenciado da companhia telefônica, altere a configuração do Padrão do tom de atendimento para o padrão assinado ao seu número de fax pela companhia telefônica, por exemplo, toques duplos ou triplos.

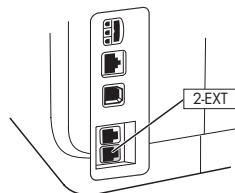
Para obter informações sobre como alterar essa configuração, consulte o guia do usuário exibido na tela do Starter CD.

NOTA: Seu dispositivo é configurado na fábrica para responder todos os padrões de toques. Se não configurar o para corresponder ao padrão de toque atribuído ao fax pela companhia telefônica, o dispositivo poderá atender tanto a chamadas de fax como de voz ou não atender nenhuma chamada.

Linha telefônica compartilhada

Se o fax for compartilhar o telefone com outros dispositivos, como telefone, secretária eletrônica, computador/modem de ou caixa do ID do responsável pela chamada ou se possuir serviço de correio de voz incluso em sua linha, será necessário seguir as seguintes instruções para determinar como configurar o fax.

1. Siga as etapas para “Linha telefônica dedicada” na página 11.
2. Conecte dispositivos adicionais à porta 2-EXT na parte traseira do dispositivo.



3. Utilize as tabelas a seguir para determinar o restante da configuração do fax.

Uso da tabelas de configuração de fax

Utilize as tabelas de configuração de fax para auxiliá-lo na configuração da função do fax de seu dispositivo. Para utilizar as tabelas, siga estas etapas:

- 1 Determine como será utilizada a linha telefônica que o aparelho de fax usará:

- Voz e Fax (consulte Tabela 3-1)
- Voz, Fax e Internet (discagem) (consulte Tabela 3-3)
- Fax e Internet (consulte Tabela 3-2)
- Voz, Fax e Internet (DSL) (consulte Tabela 3-4)

Assim que determinar como deseja utilizar a linha telefônica, siga as seguintes etapas:

- 2 Na primeira linha, determine quais outros dispositivos compartilharão da linha telefônica com o produto multifunção (telefone, computador, secretária eletrônica).

- 3 Nas próximas linhas, determine se a linha telefônica possui algum serviço especial (correio de voz ou toque diferenciado) e se essa linha será usada com um computador; determine se possui um modem DSL ou dial-up.

- 4 Forneça nas linhas seguintes um exemplo de qual configuração de fax se parece com aquela que conecta diversos dispositivos ao produto multifunção.

- 5 Na última linha da tabela há números correspondentes à tabela Instruções de configuração da página 15. Use a tabela Instruções de configuração para ajudar a configurar seu produto multifunção para que este funcione de modo mais efetivo com base no modo como seu produto está configurado.

NOTA: Siga os números que aparecem na última linha de cada tabela de configuração de fax. Executar as etapas fora da seqüência pode resultar em problemas na configuração de fax.

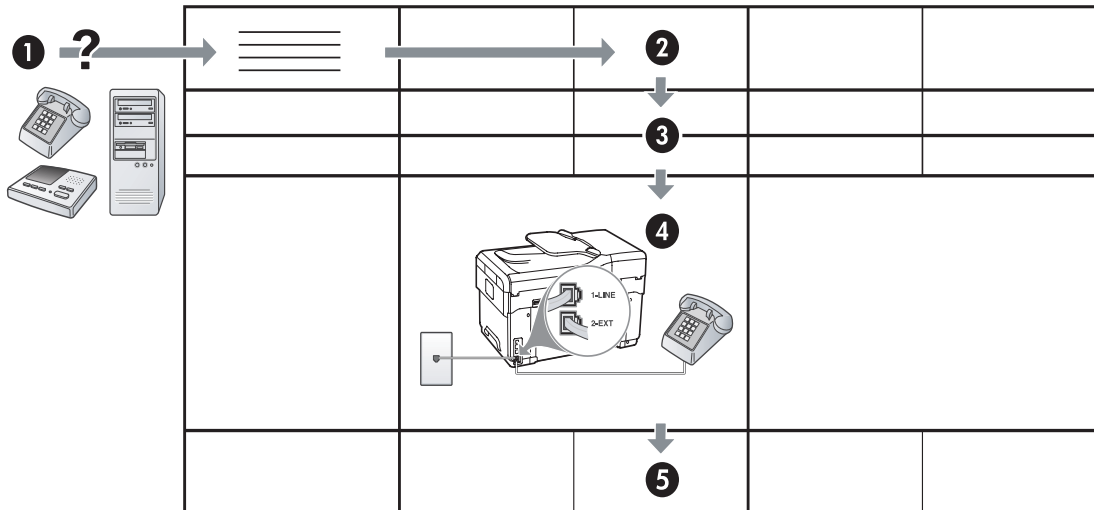


Tabela 3-1 Voz e Fax

Que dispositivos você conectará ao dispositivo?	Telefone		<ul style="list-style-type: none"> • Telefone • Secretária eletrônica
Sua linha tem...		Serviço de toque distintivo	Serviço de toque distintivo
A configuração de seu fax se parece com esta...			
Então, siga o número da configuração	3	1, 9, 2	1, 7

Tabela 3-2 Fax e Internet

Que dispositivos você conectará ao dispositivo?	<ul style="list-style-type: none"> • Computador • Modem 	
Sua linha telefônica é...	Discagem	DSL
A configuração de seu fax se parece com esta...		
Então, siga o número da configuração	4, 5, 1, 2, 6	8, 1, 2, 6

Tabela 3-3 Voz, Fax e Internet (discagem)

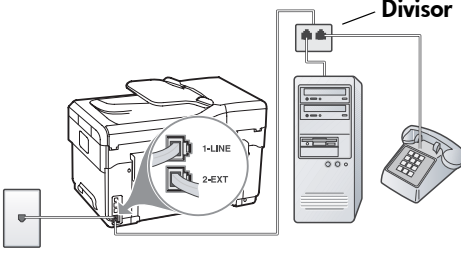
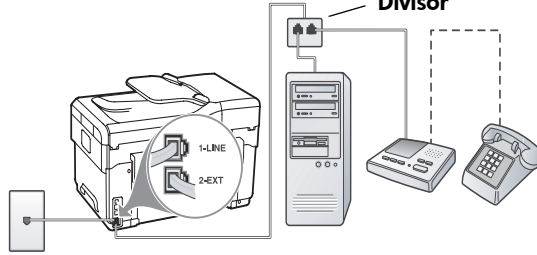
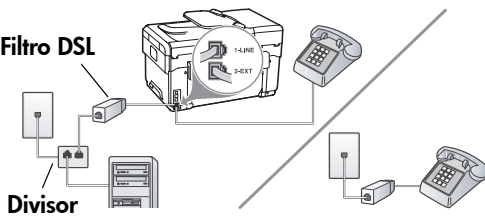
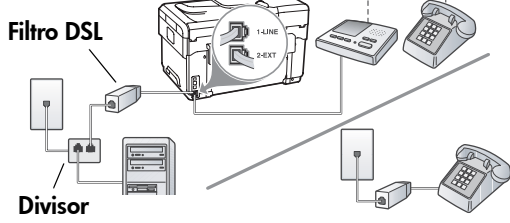
Que dispositivos você conectará ao dispositivo?	<ul style="list-style-type: none"> • Telefone • Computador • Modem 		<ul style="list-style-type: none"> • Telefone • Computador • Modem • Secretária eletrônica 	
Sua linha telefônica é...	Discagem		Discagem	
Sua linha tem...		Serviço de toque distintivo		Serviço de toque distintivo
A configuração de seu fax se parece com esta...				
Então, siga o número da configuração	4, 10, 5, 3	4, 10, 5, 3, 9	4, 10, 5, 1, 7	4, 10, 5, 1, 9, 7

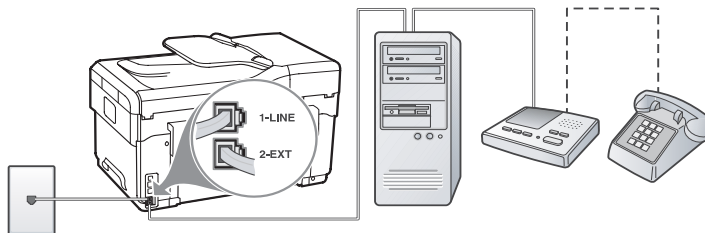
Tabela 3-4 Voz, Fax e Internet (DSL)

Que dispositivos você conectará ao dispositivo?	<ul style="list-style-type: none"> • Telefone • Computador • Modem 		<ul style="list-style-type: none"> • Telefone • Computador • Modem • Secretária eletrônica 	
Sua linha telefônica é...	DSL		DSL	
Sua linha tem...		Serviço de toque distintivo		Serviço de toque distintivo
A configuração de seu fax se parece com esta...				
Então, siga o número da configuração	8, 3	8, 3, 9	8, 1, 7	8, 1, 9, 7

Instruções de configuração

Número da configuração	Instruções de configuração
1	Configure o dispositivo para atender chamadas de entrada automaticamente. Pressione o botão Auto Answer (Resposta automática) até que a luz seja acesa.
2	(Opcional) Altere a configuração Toques para atender para um ou dois toques. Para obter informações sobre como alterar essa configuração, consulte o guia do usuário exibido na tela do Starter CD.
3	Determine como você deseja que o dispositivo atenda as chamadas: automática ou manualmente. <ul style="list-style-type: none"> Se você configurar o dispositivo para atender chamadas automaticamente, ela atenderá chamadas e receberá faxes. O dispositivo não distinguirá entre chamadas de fax e de voz nesse caso; se você suspeitar que a chamada seja de voz, deverá atender antes que o dispositivo atenda a chamada. Para atender chamadas de fax automaticamente, pressione o botão Auto Answer (Resposta Automática) até que a luz seja acesa. Se você configurar o dispositivo para receber faxes manualmente, deverá estar disponível para atender pessoalmente chamadas de fax de entrada, ou o dispositivo não poderá receber faxes. Para atender chamadas de fax manualmente, pressione o botão Resposta automática até que a luz seja desligada.
4 (Modem dial-up)	Como o modem do PC compartilha a mesma linha telefônica com o dispositivo, você não poderá utilizar o modem de PC e o dispositivo simultaneamente. Por exemplo, não será possível acessar o dispositivo para fax se você estiver utilizando o modem do PC para enviar um e-mail ou acessar a Internet.
5 (Modem dial-up)	Se o software do modem do PC estiver configurado para receber faxes no computador automaticamente, desative essa configuração. Cuidado: Se não desativar a configuração de recebimento automático de fax no software do modem para computador, o dispositivo não poderá receber faxes.
6	Quando o telefone tocar, o dispositivo atenderá automaticamente após o número de toques definido na configuração Toques para atender. Em seguida, ela começará a emitir tons de recepção de fax para a máquina de envio de fax, e receberá o fax.
7 (Secretária eletrônica)	Configure sua secretária eletrônica para atender após quatro ou menos toques. Ajuste a configuração Toques para atender em seu dispositivo para seis toques. Quando o telefone tocar, a secretária eletrônica atenderá após o número de toques definido, e reproduzirá sua saudação gravada. O dispositivo monitorará a chamada durante esse tempo, "escutando" os tons de fax. Se forem detectados tons de fax de entrada, o dispositivo emitirá tons de recepção de fax e receberá o fax; se não houver tons de fax, o dispositivo interromperá a monitoração, e a secretária eletrônica poderá gravar uma mensagem de voz.
8	Somente linhas DSL: Será necessário adquirir filtros DSL adicionais para todos os dispositivos (telefone, computador) que compartilhem a linha telefônica DSL.

<p>9 (Serviço de toque distinto)</p>	<p>Altere a configuração do Padrão do tom de atendimento para o padrão assinado ao seu número de fax pela companhia telefônica, por exemplo, toques duplos ou triplos.</p> <p>Para obter informações sobre como alterar essa configuração, consulte o guia do usuário exibido na tela do Starter CD.</p> <p>OBSERVAÇÃO: Seu dispositivo é configurado na fábrica para responder todos os padrões de toques. Se não configurar o para corresponder ao padrão de toque atribuído ao fax pela companhia telefônica, o dispositivo poderá atender tanto a chamadas de fax como de voz ou não atender nenhuma chamada.</p>
<p>10</p>	<p>Há duas maneiras diferentes para configurar o dispositivo com o seu computador de acordo com o número de portas telefônicas que ele possui. Também serão necessários cabos de telefone (pelo menos três, se seu computador possuir somente uma porta telefônica e dois se o computador possuir duas portas).</p> <p>Antes de começar, verifique se o computador tem uma ou duas portas telefônicas:</p> <p>Computador com uma porta telefônica</p> <p>Se o computador possui somente uma porta telefônica, você deverá comprar um divisor paralelo (também chamado de acoplador). Um divisor paralelo tem uma porta RJ-11 na parte frontal e duas na parte traseira. Não utilize um divisor telefônico de duas linhas, um divisor serial nem um divisor paralelo que tenha duas portas RJ-11 na parte frontal e um plugue na parte traseira. É possível adquirir um divisor paralelo em uma loja de eletrônicos que cuida de acessórios de telefone.</p> <ol style="list-style-type: none"> 1. Conecte uma extremidade do cabo de telefone que acompanha o dispositivo à tomada de telefone e a outra à porta 1-LINE do dispositivo. 2. Conecte uma extremidade do segundo cabo à porta 2-EXT do dispositivo e a outra à parte frontal do divisor paralelo (a extremidade com a única porta telefônica). 3. Conecte uma extremidade do terceiro cabo de telefone na parte traseira do divisor paralelo (a extremidade com duas portas telefônicas) e a outra ao computador. 4. Conecte uma extremidade do quarto cabo de telefone à última porta aberta no divisor paralelo e a outra ao telefone ou secretária eletrônica. Se estiver conectando o telefone e a secretária eletrônica, conecte o quarto cabo de telefone à secretária eletrônica e utilize um quinto cabo para conectá-la ao telefone. <p>OBSERVAÇÃO: Se você não conectar a secretária eletrônica dessa forma, os sinais emitidos pelo aparelho de fax do remetente poderão ser registrados na secretária e talvez não seja possível receber faxes com seu dispositivo.</p> <p>Computador com duas portas telefônicas</p> <p>Se seu computador possuir duas portas telefônicas, conclua as etapas a seguir para conectar o dispositivo ao computador:</p> <ol style="list-style-type: none"> 1. Conecte uma extremidade do cabo de telefone que acompanha o dispositivo à tomada de telefone e a outra à porta 1-LINE do dispositivo. 2. Conecte uma extremidade do segundo cabo de telefone à porta 2-EXT do dispositivo e a outra à porta IN do computador. 3. Conecte uma extremidade do quarto cabo de telefone à porta OUT do computador e a outra ao telefone ou secretária eletrônica. Se estiver conectando o telefone e a secretária eletrônica, conecte o terceiro cabo de telefone à secretária eletrônica e conecte-a ao telefone. <p>OBSERVAÇÃO: Se você não conectar a secretária eletrônica dessa forma, os sinais emitidos pelo aparelho de fax do remetente poderão ser registrados na secretária e talvez não seja possível receber faxes com seu dispositivo.</p>



Gerenciando e definindo configurações de fax

Se estiver conectando o dispositivo diretamente a um computador, instale o software do dispositivo e execute o Assistente de configuração de fax (Windows) ou o HP Device Manager (Mac OS). Também será possível ativar essas ferramentas a partir da Central de Soluções (Windows) ou do HP Device Manager (Mac OS) posteriormente. Utilize essas ferramentas para configurar o cabeçalho do fax, a região/país, a data e a hora.

Além disso, é possível definir as configurações de fax a partir do servidor da Web incorporado (EWS). Para obter informações sobre o EWS, consulte página 32.

Também é possível definir essas configurações a partir do painel de controle. Para obter informações sobre o painel de controle, consulte o guia do usuário exibido na tela do Starter CD.

Configurar entradas de discagem rápida

É possível armazenar números de fax ou grupos de números de fax como entradas de discagem rápida. As entradas de discagem rápida de 1 a 5 são associadas aos cinco botões correspondentes de discagem rápida no painel de controle. Essa atribuição permite que você disque esses números rapidamente utilizando o painel de controle.

Além de utilizar o painel de controle, é possível configurar as entradas de discagem rápida usando o servidor da Web incorporado e o software HP Photosmart . Para obter informações, consulte o guia do usuário exibido na tela do Starter CD.

Para configurar entradas de discagem rápida

1. No painel de controle, pressione **Configurar**.
2. Selecione **Speed Dial Setup (Configuração de discagem rápida)** e execute um dos procedimentos a seguir:
 - **Para adicionar ou alterar uma entrada:** Selecione **Discagem rápida individual** ou **Discagem rápida de grupo** e pressione as teclas de seta a fim de mover para um número de entrada não utilizado ou digite um número no teclado numérico. Digite o número de fax e pressione **OK**. Inclua todas as pausas ou outros

números necessários, como um código de área, um código de acesso para números fora do sistema PBX (geralmente 9 ou 0) ou um prefixo de longa distância. Digite o nome utilizando o teclado numérico e pressione **OK**.

- **Para excluir uma entrada ou todas as entradas:** Selecione **Excluir discagem rápida**, pressione as teclas de seta para realçar a entrada que deseja excluir, em seguida, pressione **OK**.

Testar configuração do fax

Você pode testar a configuração do fax para verificar o status do dispositivo e certificar-se de que ela esteja configurada adequadamente para fax. Execute este teste depois de concluir a configuração do dispositivo para fax. O teste faz o seguinte:

- Testa o hardware do fax
- Verifica se o tipo correto de cabo telefônico está conectado ao dispositivo
- Verifica se o cabo telefônico está conectado à porta correta
- Verifica o tom de discagem
- Verifica se a linha telefônica está ativa
- Testa o status da conexão da linha telefônica

O dispositivo imprime um relatório com os resultados do teste. Se o teste falhar, examine no relatório as informações sobre como corrigir o problema e execute o teste novamente. Para obter informações adicionais sobre solução de problemas, consulte o "Solucionando problemas de fax (opcional)" na página 30.

Para testar a configuração do fax

1. Configure o dispositivo para fax de acordo com as instruções de configuração específicas para sua casa ou escritório.
2. Verifique se os cartuchos de tinta e os cabeçotes de impressão estão instalados e se o papel inteiro está carregado na bandeja de entrada antes de iniciar o teste.
3. No painel de controle, pressione **Setup (Configurar)**.
4. Selecione **Tools (Ferramentas)** e **Run Fax Test (Executar teste de fax)**.

O dispositivo exibirá o status do teste no visor e imprimirá um relatório.

5. Verifique o relatório.

- Se o teste for bem-sucedido e se os problemas de fax continuarem, verifique as configurações de fax listadas no relatório e se estão corretas. Uma configuração de fax em branco ou incorreta pode causar problemas de fax.
- Se o teste falhar, verifique o relatório para obter mais informações sobre como corrigir os problemas encontrados.

4 Configurar o recurso de Arquivamento digital direto para digitalização (opcional)

O recurso de Arquivamento digital direto permite que você digitalize documentos diretamente em várias pastas compartilhadas (até 10) em sua rede. Com o Arquivamento digital direto, você não precisa de nenhum software de digitalização. Além disso, você não precisa digitalizar arquivos do seu computador e transferi-los para a pasta de rede designada.

NOTA: O recurso de Arquivamento digital direto está disponível com os modelos de multifunção HP Officejet L7600/L7700 conectados diretamente à rede por uma conexão sem fio ou por um cabo de Ethernet.

NOTA: O recurso de Arquivamento digital direto não oferece suporte ao Windows Active Directory.

Informações necessárias

Para configurar o Arquivamento digital direto, são necessárias as seguintes informações:

- O endereço IP atribuído ao multifunção.

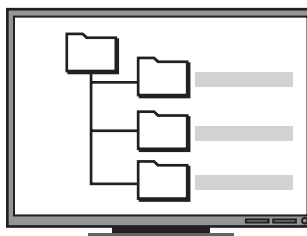
Quando você pressiona o botão de Arquivamento digital no painel de controle do multifunção pela

Arquivamento digital direto... em ação!

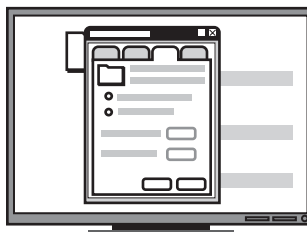
Recentemente, uma pequena empresa de desenho gráfico começou a gerenciar suas faturas, seus contratos e seus relatórios de despesas eletronicamente com o Arquivamento digital direto. Agora, em vez de arquivar faturas e outros documentos, o gerente do escritório usa o multifunção para criar uma cópia eletrônica que é automaticamente armazenada em um computador na rede do escritório.

Configurando...

O gerente do escritório pediu a um dos funcionários especialistas em TI do escritório para configurar o Arquivamento digital direto.



Primeiro, o funcionário de TI criou três pastas separadas (chamadas "Faturas", "Contratos" e "Relatórios de Despesas") no computador que seriam usadas para armazenar os documentos.



Em seguida, ele alterou as permissões de acesso nessas pastas para que o multifunção pudesse salvar os arquivos nos diretórios apropriados.

primeira vez, o endereço IP é listado no final das instruções que aparecem na tela.

- Privilégios apropriados na rede.

Você deve poder criar uma pasta e alterar as permissões de acesso para a pasta.

- O nome do computador onde a pasta está localizada

Para obter informações sobre como encontrar o nome do computador, consulte a documentação para seu sistema operacional.

- O endereço de rede para a pasta.

Os endereços da rede são normalmente escritos neste formato: \\meupc\pastacompartilhada

- Um nome de usuário e uma senha para a rede.

Por exemplo, o nome de usuário e a senha do Windows NT usados para efetuar login na rede.

Etapa 1: Criar e compartilhar uma pasta na rede

NOTA: Para usar o Arquivamento digital direto, a pasta que você está usando já deve existir em um computador conectado à rede. Você não pode criar uma pasta a partir do painel de controle do multifunção.

1. Crie uma pasta em um computador conectado à rede.
2. Compartilhe a pasta.

Verifique se as preferências da pasta fornecem acesso de leitura e gravação.

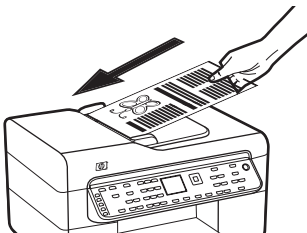
Para obter mais informações sobre como criar pastas na rede e configurar as preferências de pasta, consulte a documentação do seu sistema operacional.



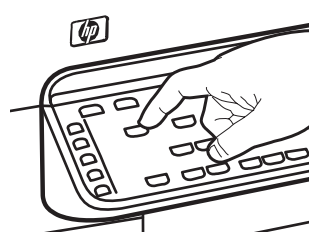
Finalmente, ele usou o servidor da Web incorporado (EWS) para configurar os atalhos (chamados “discagens rápidas”) para cada uma dessas pastas

Testando...

Após o funcionário de TI ter terminado de configurar o Arquivamento digital direto, o gerente do escritório decidiu criar uma cópia eletrônica de uma fatura.



Primeiro, ele carregou o documento no multifunção, como o faria se estivesse fazendo uma cópia.



Em seguida, pressionou o botão Arquivamento digital no painel de controle do multifunção e as discagens rápidas que o funcionário de TI havia configurado no EWS apareceram na tela.



Finalmente, o gerente selecionou a opção “Faturas” e pressionou o botão Digitalizar.

O multifunção digitalizou o documento e o transmitiu diretamente à pasta de faturas no computador.

Etapa 2: Configurar um atalho para a pasta na rede

Links entre o multifunção e a pasta da rede são chamados de “Discagens rápidas do Arquivamento digital direto”. Você cria e gerencia essas discagens rápidas usando o servidor da Web incorporado (EWS) para o multifunção.

NOTA: Para obter mais informações sobre como usar o EWS, consulte “Servidor Web incorporado” na página 32 ou o guia do usuário na tela do Starter CD.

1. Abra um navegador da Web suportado (como o Microsoft Internet Explorer, Netscape, Opera, Mozilla Firefox ou Safari) em seu computador.
2. Digite o endereço IP atribuído ao multifunção. (Para obter mais informações, consulte “Informações necessárias” .)

Por exemplo, se o endereço IP for 123.123.123.123, digite o seguinte endereço no navegador da Web: <http://123.123.123.123>

A página do EWS aparece na janela do navegador da Web.

3. Clique na guia **Configurações**.
4. Em **Catálogo de endereços**, clique em **Discagem rápida do Arquivamento digital direto**.
5. Na Discagem rápida do Arquivamento digital direto, defina as configurações para a nova discagem rápida no EWS, incluindo o seguinte:
 - **Codínome:** Adicione um codínome para a pasta. Após ter configurado o Arquivamento digital direto, esse nome aparecerá na tela do painel de controle do multifunção quando você pressionar o botão Arquivamento digital.
 - **Caminho da rede:** O caminho da rede para a pasta. Os caminhos da rede são normalmente escritos neste formato:
\\meupc\pastacompartilhada. Além disso, você pode inserir o endereço IP atribuído ao multifunção neste formato: \\123.123.123.123.
 - **Nome de usuário e senha:** O nome de usuário e a senha usados ao efetuar logon no seu computador. O nome de usuário é normalmente escrito em um destes formatos: Bob, BOBSPC\Bob, BOBDOMAIN\Bob

- **Número de identificação pessoal (PIN):** Você pode atribuir um PIN opcional para ajudar a impedir que pessoas não autorizadas usem a discagem rápida. Após você definir o PIN, o painel de controle do multifunção o solicita sempre que a discagem rápida é utilizada. Para desativar o PIN, deixe o campo dele em branco.
- **Configurações de digitalização:** As configurações de digitalização para a discagem rápida, como tipo de documento e opções de digitalização frente e verso, são usadas sempre que essa discagem rápida é selecionada.

6. Clique em Adicionar.

A entrada é adicionada ao Catálogo de endereços de Discagem rápida do arquivamento digital direto.

Etapa 3: Testar e usar o Arquivamento digital direto

1. Coloque o documento sobre o vidro do scanner ou no ADF.
2. Pressione **Arquivamento digital**.
3. Pressione o botão de discagem rápida do Arquivamento digital direto que corresponde à discagem rápida desejada.
Se solicitado, digite o PIN para a discagem rápida.
4. Pressione **Iniciar digitalização**.

NOTA: A conexão pode demorar alguns minutos, dependendo do tráfego na rede e da velocidade de conexão.

NOTA: Verifique a solução de problemas para “Active directory”.

5 Configurar o dispositivo para comunicação sem fio (opcional)

NOTA: A comunicação sem fio está disponível em alguns modelos do dispositivo.

Este capítulo fornece instruções para configuração do dispositivo para comunicação sem fio utilizando:

- O painel de controle: Utilize os menus do visor para configurar a comunicação sem fio.
- Software no Starter CD: Utilize um cabo de rede para conectar temporariamente a rede e configurar comunicação sem fio utilizando o software no Starter CD.

Para obter informações sobre as formas de configurar o dispositivo para comunicação sem fio, consulte o guia do usuário na tela no Starter CD.

Informações necessárias

Antes de instalar o software do dispositivo, pode ser necessário localizar as configurações da rede. Obtenha as informações a partir dos administradores do sistema ou conclua as seguintes tarefas:

- Obtenha o nome da rede (SSID) e o modo de comunicação (infra-estrutura ou ad hoc) no utilitário de configuração para o Wireless Access Point (WAP) da rede ou da placa de rede do computador.
- Encontre o tipo de criptografia usado pela rede, como Wired Equivalent Privacy (WEP) ou Wi-Fi[®] Protected Access (WPA).
- Encontre a senha de segurança ou a chave de criptografia do dispositivo sem fio.

Entendendo configurações de rede sem fio 802.11

Nome da rede (SSID)

Por padrão, o dispositivo procura pelo nome da rede sem fio ou do Service Set Identifier (SSID) chamado "hpsetup". Sua rede pode ter um SSID diferente.

Modo de comunicação

Existem duas opções do modo de comunicação:

Ad hoc: Em uma rede ad hoc, o dispositivo é configurada para modo de comunicação ad hoc e se comunica diretamente com outros dispositivos sem fio sem o uso de um ponto de acesso sem fio (WAP):

Todos os dispositivos na rede ad hoc devem:

- Ser compatíveis com 802.11
- Ter o modo de comunicação ad hoc
- Ter o mesmo nome de rede (SSID)
- Estar na mesma sub-rede e no mesmo canal
- Ter as mesmas configurações de segurança de 802.11

Infra-estrutura (recomendado): Em uma rede de infra-estrutura, o dispositivo é configurada com o modo de comunicação de tipo infra-estrutura e passa a comunicar-se com outros dispositivos da rede (com fio ou sem fio) por meio de um WAP. Os WAPs geralmente atuam como roteadores ou gateways em redes menores.

Configurações de segurança

Para obter as configurações disponíveis para o dispositivo, consulte a página de Configuração de rede em "Conhecendo a página de configuração" no guia do usuário exibido na tela no Starter CD.

Para obter mais informações sobre segurança sem fio, visite www.weca.net/opensession/pdf/whitepaper_wifi_security4-29-03.pdf.

Autenticação de rede: A configuração padrão de fábrica do dispositivo é Aberto, que não requer segurança para autorização ou criptografia. Outros valores possíveis são OpenThenShared, Shared e WPA-PSK (Chave pré-compartilhada Wi-Fi[®] Protected Access).

- WPA aumenta o nível de proteção de dados pelo ar e controle de acesso em redes Wi-Fi existentes e futuras. Ele resolve todas as fraquezas conhecidas do WEP, o mecanismo de segurança original nativo no padrão 802.11.
- WPA2 é a segunda geração de segurança WPA; fornecendo aos usuários empresariais e consumidores de Wi-Fi um alto nível de segurança para que somente usuários autorizados possam acessar suas redes sem fio.

Criptografia de dados:

- O Wired Equivalent Privacy (WEP) proporciona segurança, criptografando os dados enviados por ondas de rádio de um dispositivo sem fio para outro. Os dispositivos de uma rede habilitada para WEP utilizam chaves WEP para codificar os dados. Se a rede utiliza o WEP, você deve conhecer as chaves WEP utilizadas.
- WPA usa o TKIP (Temporal Key Integrity Protocol) para criptografia e emprega autenticação 802.1X com um dos tipos de EAP (Extensible Authentication Protocol) padrão disponíveis hoje.
- WPA2 fornece um esquema de criptografia novo, o AES (Advanced Encryption Standard). AES é definido em CCM (counter cipher-block chaining mode) e suporta IBSS (Independent Basic Service Set) para habilitar a segurança entre estações de trabalho clientes operando em modo ad hoc.

NOTAS

- Certifique-se de que o dispositivo não está conectada à rede com um cabo de rede.
- O dispositivo de envio possui recursos embutidos 802.11 ou uma placa sem fio 802.11 instalada.
- A HP recomenda que o dispositivo e os computadores que a utilizam estejam na mesma subrede.

Configure o dispositivo para comunicação sem fio utilizando o painel de controle

NOTA: Para utilizar esse método, é necessária uma rede sem fio configurada e em execução.

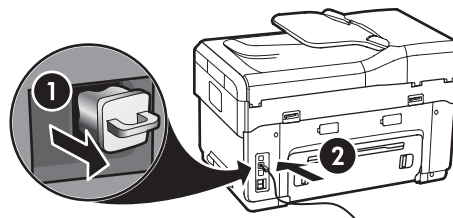
1. No painel de controle, pressione o botão **Setup (Configurar)**.
2. Pressione um botão de seta para ir para **Network (Rede)**, e pressione **OK**.
3. Pressione um botão de seta para ir para **Wireless Setup Wizard (Assistente de configuração sem fio)**, e pressione **OK**.
4. Siga as instruções no visor para concluir a configuração.

Se você tiver qualquer problema, consulte "Solucionando problemas de rede (apenas alguns modelos)" na página 28.

Configure o dispositivo para comunicação sem fio utilizando software

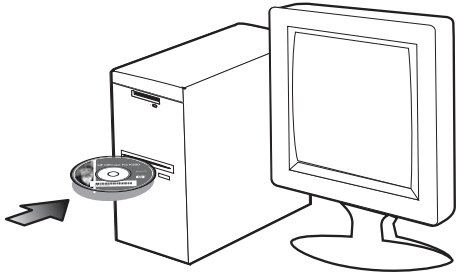
No Windows

1. Remova a tampa protetora do conector de rede do dispositivo.
2. Conecte temporariamente o dispositivo a uma porta disponível no hub, switch ou roteador da rede com um cabo de rede (vendido separadamente).



3. Feche todos os aplicativos em execução no sistema do computador.

4. Insira o Starter CD na unidade de CD. Você deve executar o programa de instalação pelo menos uma vez no Starter CD e criar uma conexão sem fio.



Se o menu do CD não for iniciado automaticamente, clique duas vezes no ícone de instalação no Starter CD.

5. No menu do CD, clique em **Instalar** e siga as instruções exibidas na tela.
6. Na tela **Tipo de conexão**, selecione **Sem fio** e clique em **Avançar**.
7. Siga as instruções exibidas na tela para concluir a instalação e, quando solicitado, desconecte o cabo.

Se você tiver qualquer problema, consulte "Solucionando problemas de rede (apenas alguns modelos)" na página 28.

Para Mac OS

1. Abra o Assistente de configuração do AirPort e siga as instruções exibidas na tela para unir uma rede sem fio existente (hpsetup).
2. Clique duas vezes no ícone de instalação do Starter CD e siga as instruções exibidas na tela.
3. Quando solicitado, clique em **Printer Setup Utility (Utilitário de configuração da impressora)** para adicionar o dispositivo.

Se você tiver qualquer problema, consulte "Solucionando problemas de rede (apenas alguns modelos)" na página 28.

6 Solução de problemas

Esta seção fornece sugestões para solução dos problemas mais comuns associados à instalação de hardware e software.

Para obter informações mais recentes, consulte o arquivo Leiam e as notas de versão no Starter CD, ou visite o site da Web de assistência ao produto em www.hp.com/support.

Solucionando problemas de instalação

Esta seção fornece sugestões para solução dos problemas mais comuns associados à instalação de hardware e software.

Sugestões de instalação de hardware

Verifique o dispositivo

- Certifique-se de que toda a fita e o material de embalagem tenham sido removidos dentro e fora do dispositivo.
- Verifique se o papel está carregado corretamente na bandeja e não está congestionado no dispositivo.
- Certifique-se de que nenhuma luz esteja acesa ou piscando, exceto a luz Liga/Desliga, que deve estar ligada. Se a luz Attention (Atenção) estiver piscando, verifique as mensagens no painel de controle. Ao ser ligado pela primeira vez, o dispositivo demora aproximadamente 45 segundos para ficar pronto.
- Verifique se o painel de acesso traseiro ou o duplexador estão encaixados corretamente.
- Verifique se o dispositivo pode imprimir uma página de diagnóstico de autoteste. Para obter mais informações, consulte "Página de Diagnóstico de autoteste" na página 32.

Verifique as conexões de hardware

- Verifique se os fios e cabos que você está utilizando estejam em bom estado.

- Certifique-se de que o cabo de força esteja firmemente conectado ao dispositivo e a uma tomada elétrica em funcionamento.
- Certifique-se de que o fio telefônico esteja conectado à porta 1-LINHA.

Verifique os cabeçotes de impressão e os cartuchos de tinta

- Certifique-se de ter removido as tampas laranjas dos cabeçotes de impressão.
- Certifique-se de que todos os cabeçotes de impressão e os cartuchos de tinta estejam firmemente instalados no slot codificado por cores correto. Pressione-os firmemente para assegurar o contato adequado. O dispositivo não funciona se os cabeçotes de impressão não estiverem instalados.
- Verifique se a trava do cabeçote de impressão e todas as tampas estão fechadas.
- Se o visor mostrar uma mensagem de erro do cabeçote de impressão, limpe os contatos nos cabeçotes de impressão. Para obter mais informações, consulte o guia do usuário na tela do Starter CD.

Sugestões de instalação de software

Verificar o sistema do computador

- Certifique-se de que o computador esteja executando um dos sistemas operacionais suportados. Para obter mais informações, consulte o guia do usuário na tela do Starter CD.
- Certifique-se de que o computador atenda aos requisitos mínimos do sistema. Para obter mais informações, consulte o guia do usuário na tela do Starter CD.

Verificar preliminares de instalação

- Certifique-se de utilizar o Starter CD que contém o software de instalação correto para o sistema operacional.
- Antes de instalar o software, verifique se todos os demais programas estão fechados.

- Se o computador não reconhecer o caminho digitado para a unidade de CD-ROM, certifique-se de especificar a letra de unidade correta.
- Se o computador não reconhecer o Starter CD na unidade de CD-ROM, verifique se o Starter CD está danificado. É possível fazer o download do driver do dispositivo no endereço www.hp.com/support.
- No Gerenciador de dispositivos do Windows, verifique se os drivers USB não foram desabilitados.
- Se você estiver utilizando o Windows e o computador não detectar o dispositivo, execute o utilitário de desinstalação (util\ccc\uninstall.bat no CD de inicialização) para executar a desinstalação do driver do dispositivo. Reinicie o computador e instale novamente o driver do dispositivo.
- Se você estiver usando um computador que executa o Windows, certifique-se de que as portas de rede criadas no driver do dispositivo correspondem ao endereço IP do dispositivo:
 - 1) Imprima a página de configuração da rede do dispositivo.
 - 2) Na área de trabalho do Windows, clique em **Iniciar**, aponte para **Configurações** e clique em **Impressoras** ou **Impressoras e faxes**.

Ou

Clique em **Iniciar**, **Painel de controle** e duas vezes em **Impressoras**.

3) Clique com o botão direito do mouse no ícone do dispositivo, clique em **Propriedades** e clique na guia **Portas**.

Ou

Clique com o botão direito do mouse no ícone do dispositivo, clique em **Executar como administrador**, **Propriedades**, **Continuar** e na guia **Portas**.

4) Selecione a porta TCP/IP para o dispositivo e clique em **Configurar porta**.

5) Compare o endereço IP listado na caixa de diálogo e verifique se corresponde ao endereço IP listado na página de configuração de rede. Se os endereços de IP forem diferentes, altere o endereço IP na caixa de diálogo para que corresponda ao da página de Configuração da rede.

6) Clique em **OK** duas vezes para salvar as configurações e fechar as caixas de diálogo.

Solucionando problemas de rede (apenas alguns modelos)

NOTA: Depois de corrigir os problemas a seguir, execute o programa de instalação novamente.

Solução de problemas gerais de rede

- Se não for possível instalar o software do software do dispositivo, verifique se:
 - Todas as conexões de cabo ao computador e à idispositivo estão firmes.
 - A rede está operante e o hub de rede está ligado.
 - Todos os aplicativos, incluindo os programas antivírus, anti-spyware e firewalls são fechados ou desativados nos computadores com Windows.
 - Certifique-se de que o dispositivo esteja instalada na mesma subrede dos computadores que utilizarão o dispositivo.
 - Se o programa de instalação não detectar o dispositivo, imprima a página de rede (consulte "Para imprimir a página de Configuração da rede" na página 32) e insira o endereço IP manualmente no programa de instalação.

Problemas na conexão com uma rede com fio

- Se o indicador luminoso de link no conector de rede não acender, verifique se todas as condições listadas acima em "Solução de problemas gerais de rede" foram atendidas.
- Embora não seja recomendado atribuir um endereço IP estático ao dispositivo, isso permite solucionar alguns problemas de instalação, como conflito com um firewall pessoal. Para obter mais informações, consulte o guia do usuário na tela do Starter CD.

Solucionando problemas de rede (apenas alguns modelos)

Se o dispositivo não puder se comunicar com a rede após concluir a configuração sem fio e a instalação do software, execute uma ou mais das seguintes tarefas.

Verifique as configurações de comunicação sem fio

- Certifique-se de que a placa sem fio do computador está configurada com o perfil sem fio correto. Um perfil sem fio é um conjunto de configurações de rede exclusivas de uma determinada rede. Uma única placa sem fio pode conter vários perfis sem fio, por exemplo, um para uma rede residencial e outro para uma rede do escritório. Abra o utilitário de Configuração da placa de rede instalada no computador e verifique se o perfil selecionado é o perfil da rede do dispositivo.
- Certifique-se de que as configurações de rede do dispositivo correspondem às da rede. Para localizar as configurações de rede, execute um dos seguintes procedimentos:
 - **Comunicação de tipo infra-estrutura:** Abra o utilitário de Configuração do ponto de acesso sem fio (WAP).
 - **Comunicação de tipo ad hoc:** Abra o utilitário de Configuração da placa de rede instalada no computador.
- Compare as configurações de rede com aquelas que aparecem na página de configuração de rede do dispositivo (consulte “Para imprimir a página de Configuração da rede” na página 32) e observe as diferenças. Possíveis problemas incluem o seguinte:
 - Os endereços de hardware dos filtros WAP (endereços MAC). Consulte “Adicione endereços de hardware a um ponto de acesso sem fio (WAP)” na página 28.
 - Uma destas configurações do dispositivo podem estar incorretas: modo de comunicação, nome da rede (SSID), canal (redes ad hoc somente), tipo de autenticação, criptografia. Consulte “Entendendo configurações de rede sem fio 802.11” na página 23.
 - Imprima um documento. Se o documento ainda não for impresso, redefina as configurações do rede do dispositivo (consulte “Redefina as

configurações da rede” na página 29) e reinstale o software do dispositivo.

Se as configurações de rede sem fio estiverem corretas, o computador poderá ser associado a outra rede sem fio. Verifique se o computador está associado à mesma rede sem fio do dispositivo.

Os usuários podem garantir isso verificando as configurações sem fio em seus respectivos computadores. Além disso, verifique se os computadores têm acesso à rede sem fio.

Se as configurações de rede sem fio estiverem incorretas, siga estas etapas para corrigir as configurações do dispositivo:

1. Conecte o dispositivo à rede com um cabo de rede ou ao computador, utilizando o cabo de rede.
2. Abra o servidor Web incorporado do dispositivo.
3. Clique na guia **Rede** e, em seguida, em **Sem fio (802.11)** no painel esquerdo.
4. Utilize o assistente de Configuração sem fio na guia Configuração sem fio para alterar as configurações do dispositivo, de modo que correspondam às configurações da rede.
5. Feche o servidor Web incorporado do dispositivo e desconecte o cabo de rede do dispositivo.
6. Desinstale o software do dispositivo completamente e reinstale o software.

Adicione endereços de hardware a um ponto de acesso sem fio (WAP)

A filtragem MAC é um recurso de segurança na qual um ponto de acesso sem fio (WAP) é configurado com uma lista de endereços MAC (também chamados “endereços de hardware”) de dispositivos com permissão para acessar a rede por meio do WAP. Se o WAP não tiver o endereço de hardware do dispositivo que está tentando acessar a rede, negará o acesso. Se o WAP filtra endereços MAC, o endereço MAC do dispositivo deve ser adicionado à lista de endereços MAC aceitos do WAP.

1. Imprima a página de Configuração da rede. Consulte “Para imprimir a página de Configuração da rede” na página 32.
2. Abra o utilitário de configuração do WAP e adicione o endereço de hardware do dispositivo à lista de endereços MAC aceitos.

Redefina as configurações da rede

Se o dispositivo ainda não conseguir se comunicar com a rede, redefina as configurações de rede do dispositivo.

1. Pressione **Setup (Configurar)**. Pressione um botão de seta para ir para **Network (Rede)**, e pressione **OK**.
2. Pressione um botão de seta para ir para **Restore Network Defaults (Restaurar padrões de rede)**, e pressione **OK**.
3. Imprima a página de Configuração da rede e verifique se as configurações foram redefinidas. Consulte “Para imprimir a página de Configuração da rede” na página 32.

Por padrão, o nome da rede (SSID) é “hpsetup” e o modo de comunicação é “ad hoc”.

Solucionando problemas de Arquivamento digital direto (opcional)

Não é possível digitalizar para pasta de rede

NOTA: O recurso Arquivamento digital direto não oferece suporte ao Windows Active Directory.

O dispositivo não está configurado corretamente na rede

Verifique se o dispositivo está configurado de maneira adequada e se está conectado à rede. Utilize o comando PING e verifique se o dispositivo responde.

A pasta de rede não está configurada corretamente

- Verifique se a pasta foi criada no servidor. Para obter mais informações, consulte a documentação disponível para seu sistema operacional.
- Verifique se o nome da pasta utiliza somente letras de A a Z (maiúsculas ou minúsculas) de números de 1 a 9.
- Alguns sinais de pontuação comuns também são suportados. Entretanto, não utilize caracteres acentuados ou especiais no nome da pasta.
- Verifique se a pasta está sendo compartilhada e se os usuários têm acesso à pasta para leitura e

gravação. Para obter mais informações, consulte a documentação disponível para seu sistema operacional.

- Verifique se o nome da pasta foi digitado no formato correto no EWS (servidor da Web incorporado) e se o nome de usuário e senha foram inseridos corretamente. Para obter mais informações, consulte as informações no EWS.

O disco está cheio

Verifique se o servidor contendo a pasta tem espaço disponível suficiente.

O dispositivo não pode criar um nome de arquivo exclusivo utilizando o prefixo ou sufixo atribuído

O dispositivo pode criar até 9.999 arquivos utilizando o mesmo prefixo e sufixo. Se você digitalizou muitos arquivos para uma pasta, altere o prefixo.

O prefixo do nome da pasta não está configurado corretamente

Verifique se o prefixo do nome da pasta utiliza somente letras de A a Z, maiúsculas ou minúsculas, e números de 1 a 9. Alguns sinais de pontuação comuns também são suportados. Entretanto, não utilize caracteres acentuados ou especiais no nome da pasta.

Se caracteres não suportados forem usados nos prefixos de nome de arquivo, eles não aparecerão corretamente quando o arquivo for criado.

O nome do servidor não pode ser determinado

O envio para a pasta de rede pode falhar se o nome do servidor fornecido durante a configuração não puder ser determinado para endereços IP específicos. Ao configurar o recurso de Arquivamento digital direto, faça o seguinte:

- Tente utilizar nomes DNS totalmente qualificados
- Verifique se o servidor DNS está configurado corretamente no dispositivo.

DICAS: Se você alterou as configurações DNS recentemente, desligue e depois ligue o All-in-One.

Solucionando problemas de fax (opcional)

Se executou um teste de fax e este falhou, consulte o relatório para obter as possíveis causas. Para obter informações mais detalhadas, consulte o guia do usuário exibido na tela do Starter CD.

O dispositivo está tendo problemas para enviar e receber faxes

Utilize o cabo telefônico que acompanha o dispositivo.

Talvez esteja sendo utilizado outro equipamento que compartilha a mesma linha telefônica que o dispositivo. Verifique se as extensões telefônicas (telefones que compartilham a mesma linha telefônica, mas não estão conectados ao dispositivo) ou outro equipamento não está em uso ou fora do gancho. Por exemplo, não será possível utilizar o dispositivo para enviar e receber fax se uma extensão telefônica estiver fora do gancho ou se estiver utilizando o modem dial-up do computador para enviar e-mail ou para acessar a Internet.

Se estiver utilizando um divisor de linha telefônica, poderão ocorrer problemas no fax. Tente conectar o dispositivo diretamente à tomada de telefone.

Verifique se uma extremidade do cabo de telefone está conectado à tomada de telefone e a outra à porta rotulada como "1-LINE" na parte traseira do dispositivo.

Tente conectar um telefone diretamente a uma tomada de telefone e verifique se há sinal de discagem – se não ouvir um sinal de discagem, entre em contato com sua empresa de telefone para verificar a linha.

Verifique se conectou o dispositivo a uma linha telefônica analógica; caso contrário, não será possível enviar ou receber fax. Para verificar se a linha telefônica é digital, conecte um telefone analógico comum à linha e observe se há tom de discagem. Caso não haja um tom de discagem normal, a linha pode estar configurada para telefones digitais. Conecte o dispositivo a uma linha telefônica analógica e tente enviar ou receber um fax.

A conexão da linha telefônica pode estar com ruído. As linhas telefônicas com baixa qualidade de som (ruído) podem causar problemas de envio e recebimento de fax. Verifique a qualidade do som da linha telefônica conectando um telefone à tomada telefônica e ouvindo se há estática ou outro ruído. Se você ouvir um ruído, desligue o **Modo de correção de erro (ECM)** e tente enviar e receber fax.

Se estiver utilizando um serviço de linha de assinante digital (DSL), certifique-se de que há um filtro DSL conectado. Sem esse filtro, não será possível enviar fax adequadamente.

Se você estiver utilizando um sistema PBX ou um adaptador de terminal/conversor ISDN, verifique se o dispositivo está conectado à porta correta e se o adaptador de terminal está definido como o tipo correto de comutação para seu país/região.

<p>O dispositivo não consegue enviar faxes, mas pode recebê-los</p>	<p>Caso não esteja utilizando um serviço de toque diferenciado, verifique se o recurso de Toque diferenciado no dispositivo está definido como Todos os toques.</p> <hr/> <p>Se a opção Resposta automática estiver definida para Off (Desativada) ou se possuir um serviço de correio de voz no mesmo número de telefone utilizado para chamadas de fax, só será possível receber faxes manualmente.</p> <hr/> <p>Se você tiver um modem dial-up de computador na mesma linha que o dispositivo, verifique se o software que acompanha o modem não está definido para receber fax automaticamente.</p> <hr/> <p>Se houver uma secretária eletrônica na mesma linha telefônica com o dispositivo:</p> <ul style="list-style-type: none"> • Verifique se a secretária eletrônica está funcionando corretamente. • Certifique-se de que suas configurações parecem com o segundo exemplo na Tabela 3-1 da página 13. • Verifique se o dispositivo está configurado para receber fax automaticamente. • Certifique-se de que a configuração Toques para atender esteja definida para um número de toques maior do que a secretária eletrônica. • Desconecte a secretária eletrônica e tente receber um fax. • Grave uma mensagem com aproximadamente 10 segundos de duração Fale devagar e em um volume baixo ao gravar a mensagem. Deixe pelo menos 5 segundos de silêncio no final da mensagem de voz. <hr/> <p>Outros equipamentos que usam a mesma linha telefônica, podendo causar falhas no teste. É possível desconectar todos os demais dispositivos e executar o teste novamente. Se o Teste de detecção de tom de discagem passar, um ou mais equipamentos estão causando os problemas. Tente adicioná-los novamente, um por vez, executando o teste a cada vez, até que identifique o equipamento que está causando o problema.</p>
<p>O dispositivo não consegue enviar faxes, mas pode recebê-los</p>	<p>O dispositivo pode estar discando muito rápido ou antecipadamente. Por exemplo, se precisar de acesso a uma linha externa discando "9", tente inserir pausas como a seguir: 9-XXX-XXXX (onde XXX-XXXX é o número para o qual está sendo enviado o fax). Para inserir uma pausa, pressione Redial/Pause (Rediscar/Pausa) ou Space (Espaço) (#) várias vezes, até um traço (-) aparecer no visor gráfico.</p>
<p>O visor sempre mostra Telefone fora do gancho</p>	<p>Você está usando o cabo telefônico errado. Consulte os dois primeiros problemas em "O dispositivo está tendo problemas para enviar e receber faxes" na página 30.</p>
<p>O dispositivo está tendo problemas para enviar um fax manual</p>	<p>Esta possível solução se aplica somente a países/regiões que recebem com o dispositivo um cabo telefônico de dois fios, incluindo: Argentina, Austrália, Brasil, Canadá, Chile, China, Colômbia, Grécia, Índia, Indonésia, Irlanda, Japão, Coreia, América Latina, Malásia, México, Filipinas, Polônia, Portugal, Rússia, Arábia Saudita, Cingapura, Espanha, Taiwan, Tailândia, EUA, Venezuela e Vietnã.</p>
<p></p>	<p>Certifique-se de que suas configurações parecem com o primeiro exemplo na Tabela 3-1 da página 13.</p>
<p></p>	<p>Se você está enviando um fax manualmente do telefone conectado diretamente ao dispositivo, deve utilizar o teclado do telefone.</p>
<p>Os tons de fax são gravados em minha secretária eletrônica</p>	<p>Consulte o quarto problema em "O dispositivo não consegue enviar faxes, mas pode recebê-los" na página 31.</p>
<p>O cabo de telefone que acompanha o dispositivo não é suficientemente comprido</p>	<p>Se o cabo telefônico que acompanha o dispositivo não for comprido o suficiente, você poderá utilizar um acoplador para aumentar o comprimento. Você pode adquirir um acoplador em uma loja de eletrônicos que cuida de acessórios de telefone. Você precisa também de outro cabo telefônico, que pode ser um cabo padrão que já exista em sua casa ou no escritório.</p>
<p></p>	<ol style="list-style-type: none"> 1. Utilizando o cabo telefônico que acompanha o dispositivo, conecte uma extremidade ao acoplador e a outra à porta identificada como 1-LINE na parte traseira do dispositivo. 2. Conecte um segundo cabo telefônico à porta aberta no acoplador e à tomada telefônica.

Ferramentas de solução de problemas e de configuração

As ferramentas a seguir estão disponíveis para solucionar problemas e configurar o dispositivo. Para obter mais informações, consulte o guia do usuário na tela do Starter CD.

Página de Diagnóstico de autoteste

Utilize a página de Diagnóstico de autoteste para visualizar as configurações atuais do dispositivo, para ajudar na solução de problemas do dispositivo e para verificar a instalação de acessórios opcionais, como a unidade dúplex. A página de Diagnóstico de autoteste também contém um log de eventos recentes. Se precisar entrar em contato com a HP, imprima a página de Diagnóstico de autoteste antes de ligar.

Para imprimir a página de Diagnóstico de autoteste

1. No painel de controle, pressione o botão **Setup (Configurar)**.
2. Selecione **Print Report (Imprimir relatórios), Self-Test Report (Relatório de autoteste)** e pressione **OK**.

Página de Configuração da rede

Se o dispositivo estiver conectado a uma rede, você poderá imprimir uma página de configuração de rede para exibir as configurações da rede do dispositivo. É possível utilizar a página de Configuração da rede para ajudar a solucionar problemas de conectividade da rede.

Para imprimir a página de Configuração da rede

1. No painel de controle, pressione o botão **Setup (Configurar)**.
2. Se o dispositivo tiver um visor de duas linhas, selecione **Network Setup (Configuração da rede), Print Network Settings (Imprimir configurações da rede)** e pressione **OK**.

Se o dispositivo tiver um visor colorido, selecione **Network (Rede), View Network Settings (Exibir configurações da rede), Print Network Configuration Page (Imprimir página de configuração da rede)** e pressione **OK**.

Servidor Web incorporado

Um servidor da Web fornece um ambiente no qual programas da Web podem ser executados, da mesma maneira que um sistema operacional, como o Microsoft® Windows®, fornece um ambiente no qual programas podem ser executados em seu computador. Um navegador da Web, como o Microsoft Internet Explorer, Netscape, Opera, Mozilla Firefox ou Safari podem mostrar a saída de um servidor da Web.

Um servidor da Web incorporado reside em um produto de hardware (como uma impressora) ou no firmware, em vez de ser um software carregado em um servidor de rede. A vantagem de um servidor da Web incorporado é que ele oferece uma interface ao produto que qualquer pessoa com um computador conectado à rede e um navegador da Web padrão pode abrir e utilizar. Nenhum software especial precisa ser instalado ou configurado.

Com o servidor da Web incorporado da HP, você pode exibir informações sobre o status de um produto, alterar configurações e gerenciar o produto em seu computador.

Para abrir o servidor Web incorporado

Em um navegador da Web suportado no computador, digite o endereço IP que foi atribuído ao dispositivo. Por exemplo, se o endereço IP for 123.123.123.123, digite o seguinte endereço no navegador da Web:

`http://123.123.123.123`

O endereço IP do dispositivo é relacionado na página de Configuração da rede.

Depois de abrir o servidor Web incorporado, é possível criar um marcador para que você possa acessá-lo rapidamente no futuro.

Declaração de garantia limitada da Hewlett-Packard

Produto HP	Duração da garantia limitada
Mídia de software	90 dias
Impressora	1 ano
Cartuchos de impressão ou de tinta	Até que a tinta HP acabe ou até a data do “fim da garantia” impressa no cartucho, o que ocorrer primeiro. Esta garantia não cobre produtos de tinta HP que tenham sido reabastecidos, refabricados, recondicionados, adulterados ou utilizados de forma incorreta.
Acessórios	1 ano, a não ser que haja outra indicação

A. Extensão da garantia limitada

1. A Hewlett-Packard (HP) garante ao cliente final que os produtos HP especificados acima estarão livres de defeitos de materiais e fabricação pelo período mencionado acima, que se inicia na data da compra pelo cliente.
2. No caso de produtos de software, a garantia limitada HP cobre apenas falhas de execução de instruções de programação. A HP não garante que a operação de qualquer produto será ininterrupta ou livre de erros.
3. A garantia limitada HP cobre somente os defeitos surgidos como resultado de uso normal do produto, e não cobre outros problemas, incluindo os que surgirem como resultado de:
 - a. Manutenção ou modificação inadequada;
 - b. Software, mídia, peças ou suprimentos não fornecidos ou aceitos pela HP;
 - c. Operação fora das especificações do produto;
 - d. Modificação não autorizada ou uso indevido.
4. Para produtos de impressoras HP, o uso de um cartucho não-HP ou de um cartucho recondicionado não afeta a garantia ao cliente nem qualquer contrato de suporte HP com o cliente. No entanto, se uma falha ou um dano da impressora puderem ser atribuídos ao uso de um cartucho não-HP ou recondicionado ou a um cartucho de tinta expirado, a HP cobrará suas taxas padrão referentes a tempo e materiais para fazer a manutenção na impressora quanto à falha ou ao dano em questão.
5. Se a HP for informada, durante o período de garantia aplicável, sobre um defeito em qualquer produto coberto pela garantia HP, poderá optar por substituir ou consertar o produto.
6. Se a HP não puder consertar ou substituir o produto defeituoso coberto pela garantia HP, como for aplicável, ela irá, dentro de um período de tempo razoável após a notificação do defeito, ressarcir o valor pago pelo produto.
7. A HP não tem obrigação de consertar, substituir ou ressarcir o valor pago até o cliente retornar o produto defeituoso à HP.
8. Qualquer produto de reposição pode ser novo ou em estado de novo, desde que a sua funcionalidade seja ao menos igual àquela do produto que está sendo substituído.
9. Os produtos HP podem conter peças manufaturadas, componentes, ou materiais equivalentes a novos no desempenho.
10. A Declaração de garantia limitada da HP é válida em qualquer país onde o produto coberto HP for distribuído pela HP. Contratos para serviços de garantia adicionais, como serviços nas instalações do cliente, podem estar disponíveis em qualquer representante de serviços HP em países onde o produto é distribuído pela HP ou por importador autorizado.

B. Limitações da garantia

DENTRO DOS LIMITES PERMITIDOS PELAS LEIS LOCAIS, NEM A HP NEM OS SEUS FORNECEDORES FAZEM QUALQUER OUTRA GARANTIA OU CONDIÇÃO DE QUALQUER NATUREZA, EXPRESSA OU IMPLÍCITA, GARANTIAS OU CONDIÇÕES IMPLÍCITAS DE COMERCIALIZABILIDADE, QUALIDADE SATISFATÓRIA E ADEQUAÇÃO A UM PROPÓSITO PARTICULAR.

C. Limitações de responsabilidade

1. Para a extensão permitida pela lei local, as soluções fornecidas nesta Declaração de Garantia são as únicas e exclusivas do cliente.
2. DENTRO DOS LIMITES PERMITIDOS PELAS LEIS LOCAIS, EXCETO PELAS OBRIGAÇÕES ESPECIFICAMENTE MENCIONADAS NESTA DECLARAÇÃO DE GARANTIA, EM HIPÓTESE ALGUMA A HP OU OS SEUS FORNECEDORES SERÃO RESPONSÁVEIS POR DANOS DIRETOS, INDIRETOS, ESPECIAIS, INCIDENTAIS OU CONSEQUENCIAIS, SEJAM ELLES BASEADOS EM CONTRATO, AÇÃO DE PERDAS E DANOS OU QUALQUER OUTRO RECURSO JURÍDICO, MESMO QUE HP TENHA SIDO AVISADA DA POSSIBILIDADE DE TAIS DANOS.

D. Lei local

1. Esta Declaração de Garantia fornece ao cliente direitos legais específicos. O cliente pode também ter outros direitos que podem variar de estado para estado nos Estados Unidos, de província para província no Canadá e de país para país em outros lugares no mundo.
2. Na medida em que esta declaração de garantia for inconsistente com as leis locais, deve ser considerada emendada para se tornar consistente com tais leis. Sob elas, certas limitações desta declaração e isenções de responsabilidade podem não ser aplicáveis ao cliente. Por exemplo, alguns estados dos Estados Unidos, assim como alguns governos fora dos EUA (incluindo províncias canadenses), poderão:
 - a. Impedir que isenções de responsabilidades e limitações nesta Declaração de garantia limitem os direitos legais de um consumidor (por exemplo, Reino Unido);
 - b. Ou restringir a capacidade de um fabricante para impor tais renúncias ou limitações; ou
 - c. Conceder ao cliente direitos de garantia adicionais, especificar a duração de garantias implícitas das quais fabricantes não podem isentar-se ou permitir limitações na duração de garantias implícitas.
3. OS TERMOS DESTA DECLARAÇÃO DE GARANTIA, EXCETO PARA OS LIMITES LEGALMENTE PERMITIDOS, NÃO EXCLUEM, RESTRINGEM OU SE MODIFICAM, E SÃO UM ACRÉSCIMO AOS DIREITOS LEGAIS APLICÁVEIS À VENDA DE PRODUTOS HP A TAIS CLIENTES.

Informações relativas à Garantia Limitada da HP

Estimado Cliente,

Anexa à presente declaração encontra-se uma lista das empresas HP de entre as quais consta o nome e morada da empresa responsável pela prestação da Garantia Limitada da HP (garantia do fabricante) no seu país.

Além da referida garantia do fabricante prestada pela HP, poderá também. Beneficiar, nos termos da legislação em vigor, de outros direitos adicionais de garantia, perante o vendedor, ao abrigo do respectivo Contrato de Compra e Venda.

Portugal: Hewlett-Packard Portugal, Lda., Edifício D. Sancho I, Quinta da Fonte, Porto Salvo, 2780-730 Paco de Arcos, P-Oeiras

© 2007 Hewlett-Packard Development Company, L.P.

Printed in US
Imprimé aux Etats-Unis
Impreso en EE.UU.
Impresso nos E.U.A.



Printed on at least 50% total recycled fiber
with at least 10% post-consumer paper



Imprime sur un papier compose d'au moins 50 %
de fibres recyclees et 10 % de papier post-consommation

www.hp.com/support

EN

FR

ES

PT



C8187-90001

