

www.tesvor.com

Product Manual

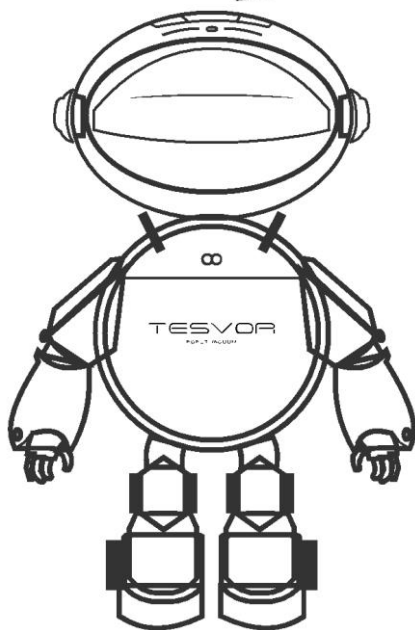
TESVOR
ROBOT VACUUM

1.Greetings from Tesvor!

Thank you for purchasing Tesvor Robot Vacuum!

We hope that our products will bring you an intelligent and convenient lifestyle!

If you encounter any problems which cannot be solved by this manual, please contact service@tesvor.com



Our products are subject to material, and our company reserves the right to upgrade the products, subject to change without notice.

1. Welcome

2. Safety Instructions

3. Product Composition

3.1 Components Names

3.2 Product Specifications

4. Instructions

4.1 Remote Control Instructions

4.2 Operating Instructions

5. Product Maintenance

5.1 Side Brush Cleaning Replacement

5.2 Dust Container and Screen Cleaning

5.3 Other Component Maintenance

6. Common Faults

6.1 Alarm Prompt

6.2 Replaceable Module

Please read this instruction carefully and follow this manual. Any operations not following this instruction may cause damage to the product.

Safety Precautions Related To The Host and Accessories



Warning

1. This device complies with part 15 of the FCC Rules. Operation is subject to the following two conditions:
 - 1) This device may not cause harmful interference, and
 - 2) This device must accept any interference received, including interference that may cause undesired operation.)
2. Do not disassemble, repair or transfer the machine, or it will damage the product and cause danger.
3. Do not use this product in an environment where fire or explosion is possible.
4. This product can only use the original power adapter, otherwise it may cause product damage and fire.
5. Don't stand or sit on this product, otherwise it may cause product damage or fall.
6. When the metal part of the power plug is attached to dust, be sure to wipe it with a dry cloth.
7. The power adapter uses 100-240V AC voltage. Please plug the plug into the socket so as to avoid child touching.
8. Prohibit the host and electronic accessories from water immersion, otherwise it will cause short-circuit damage.
9. Do not damage the power cord, or load weights on the power line. Please do not heat, pull or bend the power cord.
10. When the vacuum is operating, please pay attention to the safety of children, elders to avoid tripping risk. Please do not touch the side wheel and side brush to avoid injury.
11. This product is designed to be used in indoor situations, please do not use in outdoor areas.
12. Don't let metal or conductive materials contact with the battery junction to avoid short-circuit.

Attention

1. Don't touch this product with wet hands, otherwise it may lead to electric shock.
2. Please do not put this product on places easy to cause dropping, such as seat, room, and high platform.
3. This product is a precise electronic equipment and should avoid prolonged exposure in the sun.
4. Please do not use this product in humid environment, such as bathroom.
5. Do not bring this product near cigarette butts, lighters and other open flames.
6. Turn off the power switch at the bottom of the machine after using this product.
7. Prior to the use of this product, remove all vulnerable items on the floor, such as glass, lamps, and items that may be entangled with brush and suction passages.
8. Prior to use, please carefully check whether the power adapter is connected to the socket, otherwise it will cause damage to the machine.

RF radiation exposure statement

The Robotic Vacuum Cleaner complies with FCC RF radiation exposure limits set forth for an uncontrolled environment. Caution: To maintain the compliance with the FCC's

RF exposure guideline, install the Robotic Vacuum Cleaner at least 7.9" (20 cm) from ALL persons. The transmitter of this device must not be co-located or operating in conjunction with any other antenna or transmitter.

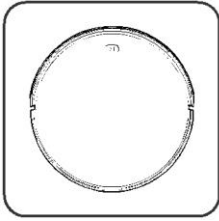
This equipment has been tested and found to comply with the limits for a Class B digital device, pursuant to part 15 of the FCC Rules. These limits are designed to provide reasonable protection against harmful interference in a residential installation. This equipment generates, uses and can radiate radio frequency energy and, if not installed and used in accordance with the instructions, may cause harmful interference to radio communications. However, there is no guarantee that interference will not occur in a particular installation. If this equipment does cause harmful interference to radio or television reception, which can be determined by turning the equipment off and on, the user is encouraged to try to correct the interference by one or more of the following measures:

- Reorient or relocate the receiving antenna.
- Increase the separation between the equipment and receiver.
- Connect the equipment into an outlet on a circuit different from that to which the receiver is connected.
- Consult the dealer or an experienced radio/TV technician for help.

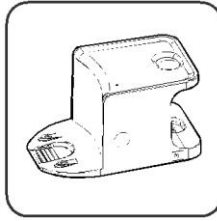
MODIFICATION: Any changes or modifications not expressly approved by the grantee of this device could void the user's authority to operate the device.

Product Composition

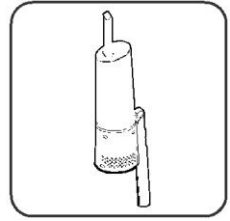
3.1 Component Name



Robot Vacuum Host



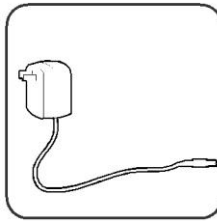
Charger



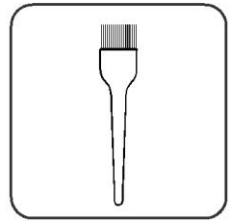
Hand-held Cleaner



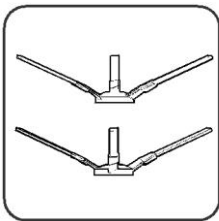
Remote Control



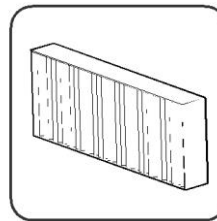
Power Adapter



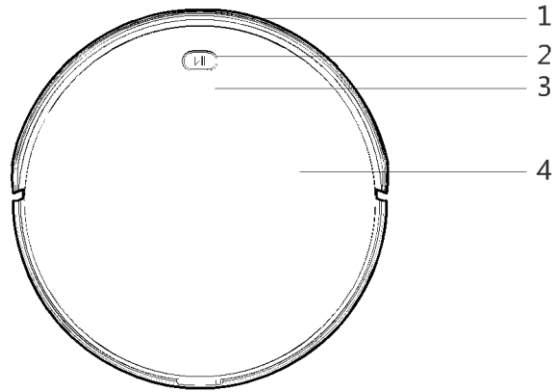
Cleaning Tools



Edge Swipes

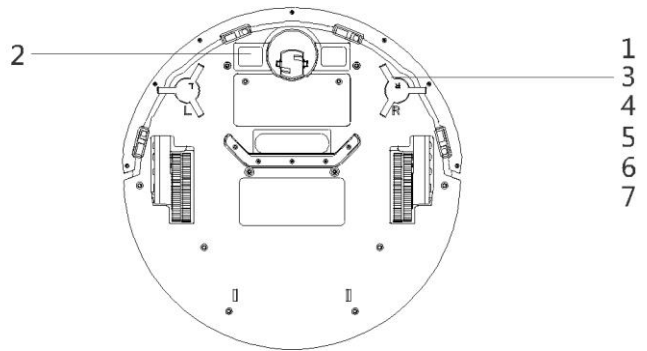


Extra HEPA filter



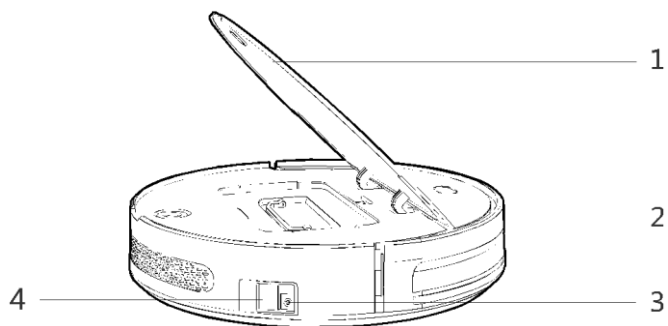
Robot Vacuum Host

1-Bumper 2-Control Button 3-Panel 4-Middle Lid



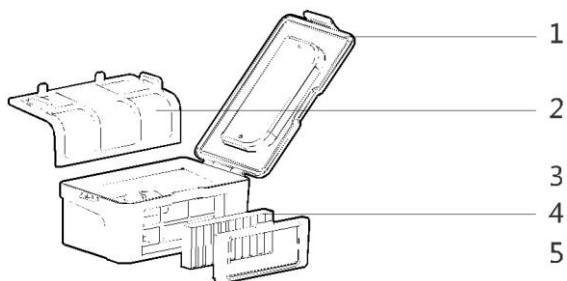
Robot Vacuum Host

1-Universal Wheel 2-Charging Spring Plate 3-Side Brush 4-Battery Cover 5-Suction Port 6-Chassis 7-Side Wheel



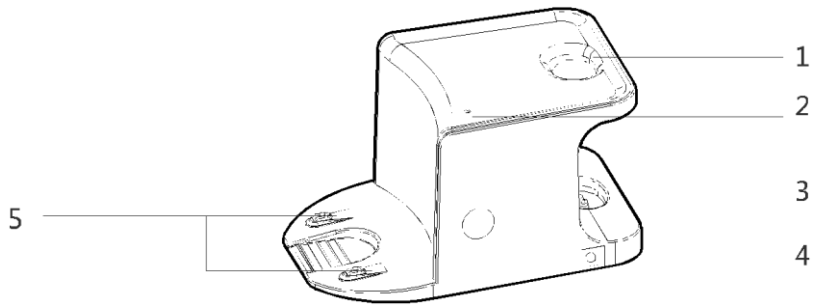
Robot Vacuum Host

1-Middle Cover 2-Dust Container 3-DC Power Plug
4-Power Switch



Dust Container

1-Dust Container Cover, 2-Basic Filter 3-Dust Container 4-
High-efficiency Filter 5-Dust Container Sealing Pad



Charging Base

1-Charging Indicator 2-DC Power Plug 3-Charging Port

3.2 Product Specifications

<p style="text-align: center;">Structure</p> <p>Diameter of host:320mm Thickness of host:78mm Net weight of host:2.5kg</p>	<p style="text-align: center;">Electronic</p> <p>Voltage: 14.4V Battery capacity: 2500mAh Main button type: LED button</p>
<p style="text-align: center;">Attachments</p> <p>Dust container capacity: 600ml Dishcloth (polyester cotton): 316*177*4mm</p>	<p style="text-align: center;">Operation Specifications</p> <p>Charge type: manual / automatic Cleaning time: about 100min Charge time: 240-360min</p>

Strong Suction

The suction of this product is very strong enough for daily uses.

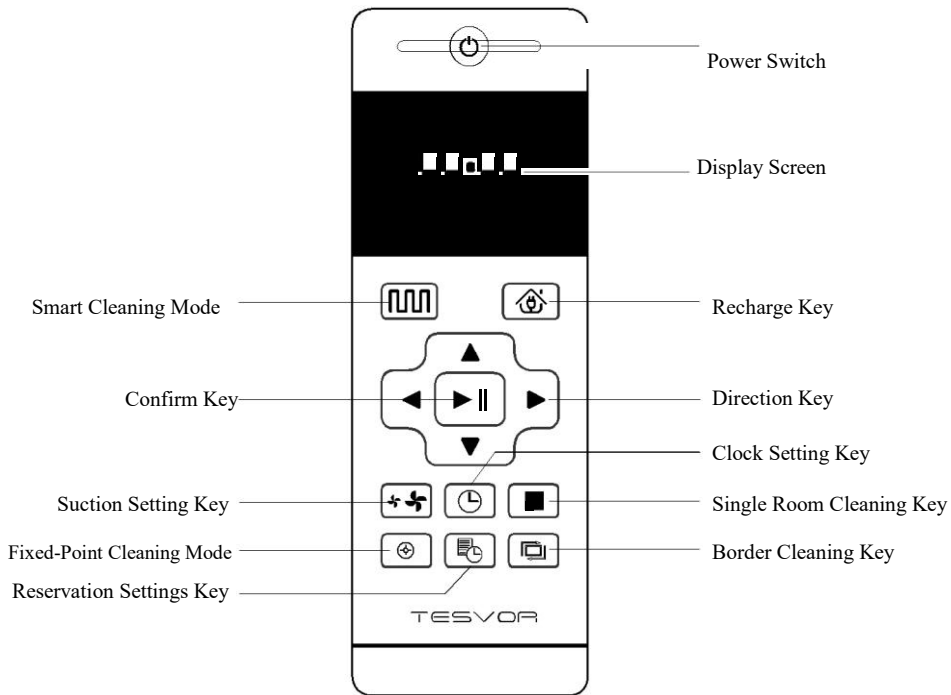
Intelligent Suction Accommodation

The product adjusts the suction power according to different cleaning modes, which not only greatly improves the cleaning efficiency, but also saves 30% of the electricity consumption. The suction level can also be adjusted by remote control.

User friendly Design

Easy to operate. Just press the (▶||) button gently, the machine will start cleaning. In addition, your actions will prompt the voice to confirm again. Short press (▶||) key, the machine starts cleaning, and then press the key to control the machine to pause or continue to work, and it will be accompanied by voice guidance.

4.1 Remote Control Instructions



Smart Cleaning Key

Press this button to enter the mode.

Recharge Key

Press this button to enter the charging mode, and the remote control screen shows "  "

Forward Key

Press this key, the machine continues to move forward, and the machine is suspended after loosening. In the reservation mode or in the time setting mode, press this key to increase the number.

Backward Key

Press this key, the machine continues to move back, and the machine is suspended after loosening. In the reservation mode or in the time setting mode, press this key to decrease the number.

Left Arrow

Press this key, the machine continues to move left, and the machine is suspended after loosening. In the reservation mode or in the time setting mode, press this key to shift minute into hour.

Right Arrow

Press this key, the machine continues to move right, and the machine is suspended after loosening. In the reservation mode or in the time setting mode, press this key to shift hour into minute.

Enter Key

At work, press this button to pause the machine, press this button in pause, and the machine continues to work.

In the reservation setting or clock setting mode, press this button to save the settings.

Suction Setting Key

Press this button to adjust the suction size in any cleaning mode.

Time Setting Key

Press this button to enter the time setting mode and press the enter key to exit.

Single Room Cleaning Key


Press this key to enter single room cleaning mode.

Fixed-Point Cleaning Mode Key

Press this key to enter fixed-point cleaning mode

Reserved Cleaning Key

In standby mode, press this button to enter the reservation setting mode and display the icon  at the same time

In the reservation mode, press this button to save the data and exit the ink setting mode, when the icon  disappears in the display screen.

In reservation mode. By pressing the key, the reservation function is cancelled and the icon  disappears in the display screen.

Border Cleaning Key

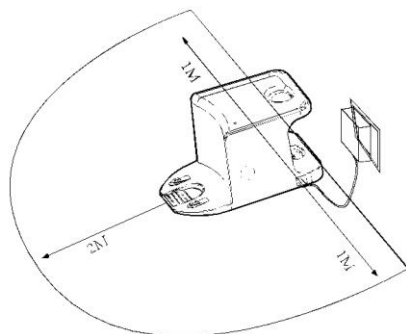
Press this key to enter border cleaning key.

Key

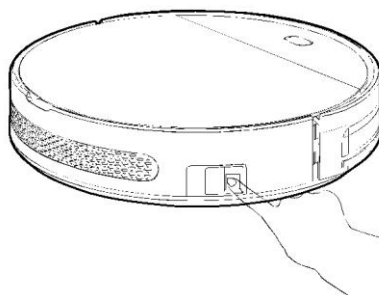
These three keys can switch suction level.

Operation Instructions

Place the Charging Base

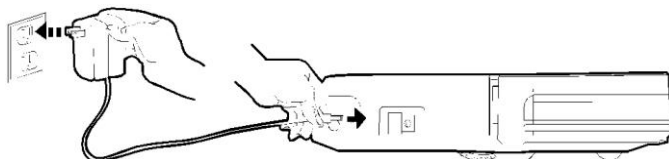


Put the charging base against the wall. Don't put anything around it, and don't put any radiation, such as a mirror.



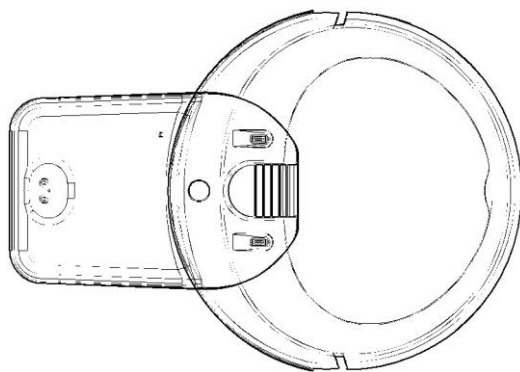
Turn on the power switch on the machine side, "I" is boot, "O" is shutdown. If the machine stops working for more than 5 minutes, the machine will turn into sleeping mode.

Charge the Host



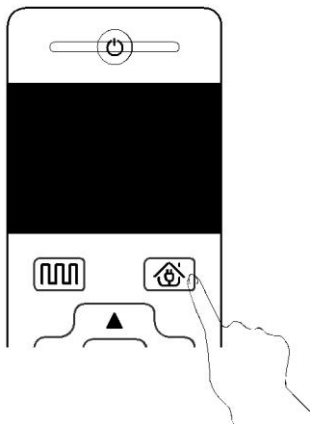
Before charging the machine, make sure that the power switch is on.

Plug the power adapter directly into the machine, and turn on the power, and then the machine is charged.



Before charging the machine, make sure that the power switch is on.

Auto Charging



The machine can be auto charged by pressing the recharging key of the remote control.

When the cleaning is completed or the power is too low, the machine will automatically locate the charging seat for charging. Please keep the charging seat on power, or the machine will not be able to find the charging seat.

Attention: When charging this way, the machine will stop charging and sweeping if the remote's "cleaning" key is pressed. However, this operation is not available when the machine is being charged with the charging adapter.

Notes on Charging

- A. When the battery is low, the red light of A key turns on.
- B. The green light of B key will be flashing when the machine is charging.
- C. When charging has completed, the green light will turn on.
- D. Please check the power level of the machine when the machine is out of power.
- E. When charging for the first time, make sure that the charging time is at least 12h.
- F. When the machine is not used for a long time, turn off the power.
- G. For daily uses, place the machine on the cradle, and make sure that the cradle is connected to the power supply.
- H. The machine will find its own charging stand for charging when the power level is low. Make sure that there is no obstacle around the charging stand.

Switching Modes

Standby Mode

The power switch is on, the A key is on, and the machine is in a stationary state.

Sleep Mode

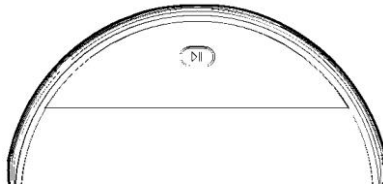
The power switch is on, the A key flashes, and the machine is in a stationary state.

Operating Mode

The machine is in the working state, the A key is lighting, and the machine turns into the cleaning mode.

Operating Procedures

Standby mode—Sleep mode—Operating mode



Booting

Make sure the power switch on the side of the machine is turned on. Press the button of the machine or function mode key of remote control to start the work.

Suspend

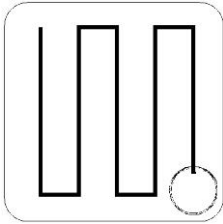
When the machine is in operation, press the A key of the host or the B key of the remote controller to stop working and press again to continue working.

Sleeping

The machine is in a stop condition and the key light is not on.

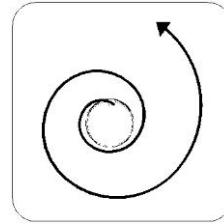
The machine goes into sleep when it is not operating for a short time. Press the mode function key on the machine or the A key of the host to wake the machine.

Cleaning Mode



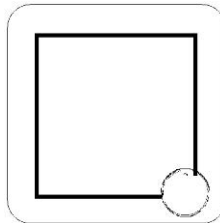
Smart Cleaning

The machine will clean the room in planned routes based on the room situations



Fixed-point Cleaning

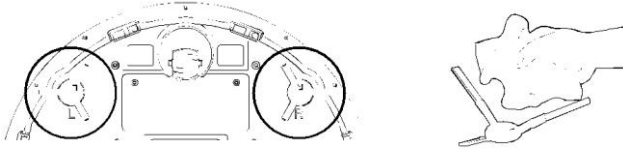
The fixed point cleaning function is only suitable for operation on the APP.



Edge Sweeping / Border Cleaning

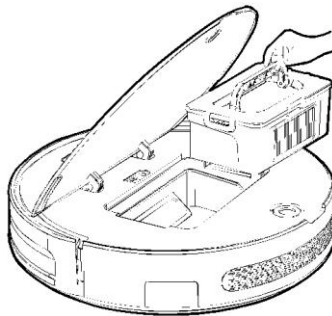
The machine will sweep along the edges of the room.

5.1 Side Brush Cleaning and Replacement

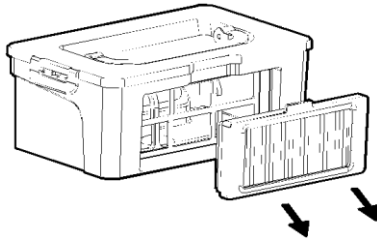


Check the brush condition: whether it has been damaged or entangled with foreign material, then clean the brush with a cleaning tool or cloth. When the side brush can not be used, please replace it in time.

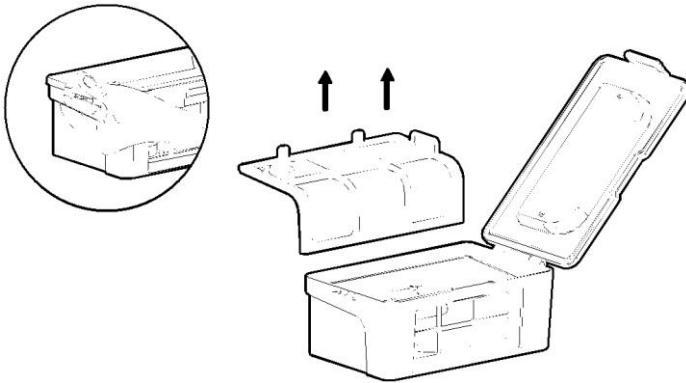
5.2 Dust Container and Filter Cleaning



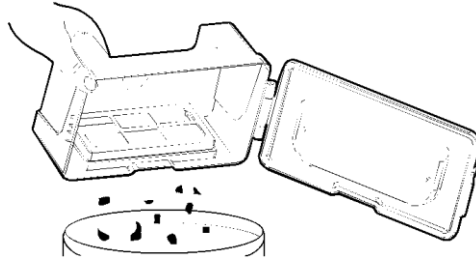
Open the top cover to remove the dust container. Please clean the dusts if any.



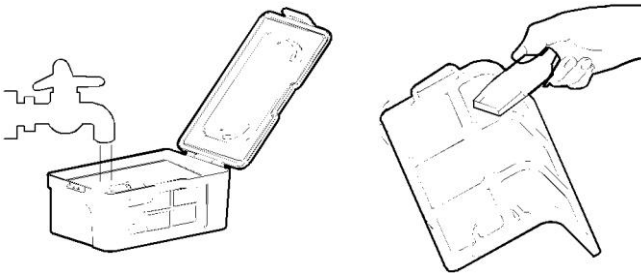
Remove the HEPA Filter



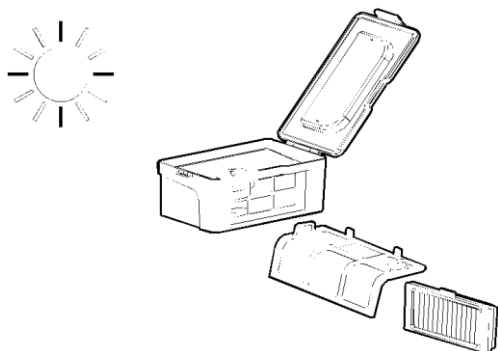
Open the litter box to remove the filter.



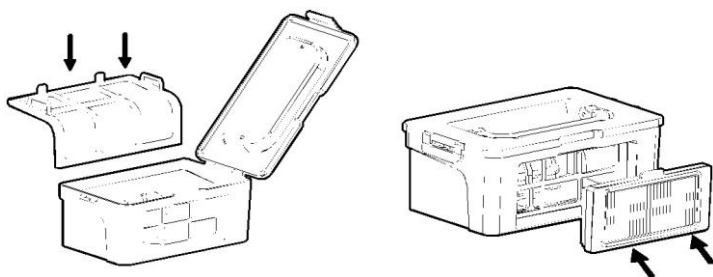
Lower the level of the dust container to dump the rubbish.



The dust container, high efficiency filter screen and basic filter screen are thoroughly cleaned, and the basic filter screen should be washed after 15-30 days, and the efficient filter screen is recommended to be changed every 3-4 months.

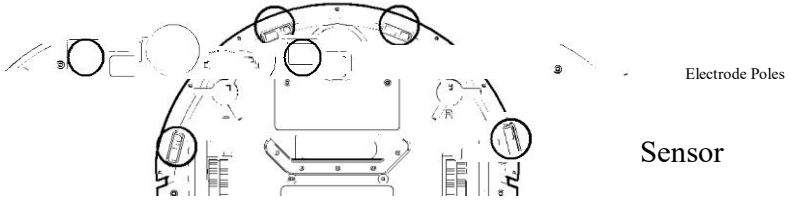


Dry the components until they are completely dry.



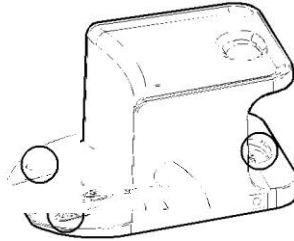
Re-install the basic screen and the HEPA filter back to the garbage can.

5.4 Maintenance Of Other Components

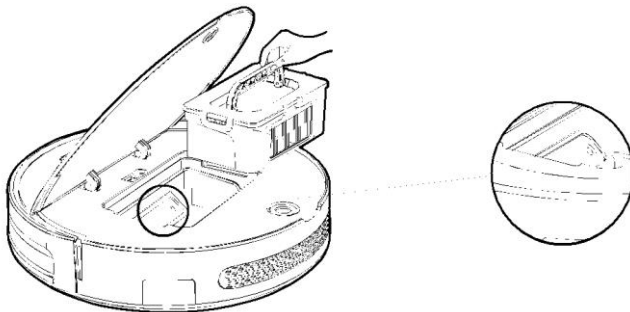


Clean the electrodes and sensor gently with dry cloth.

Charging Base



Clean the charging ports with cleaning tools or clean soft cloth.

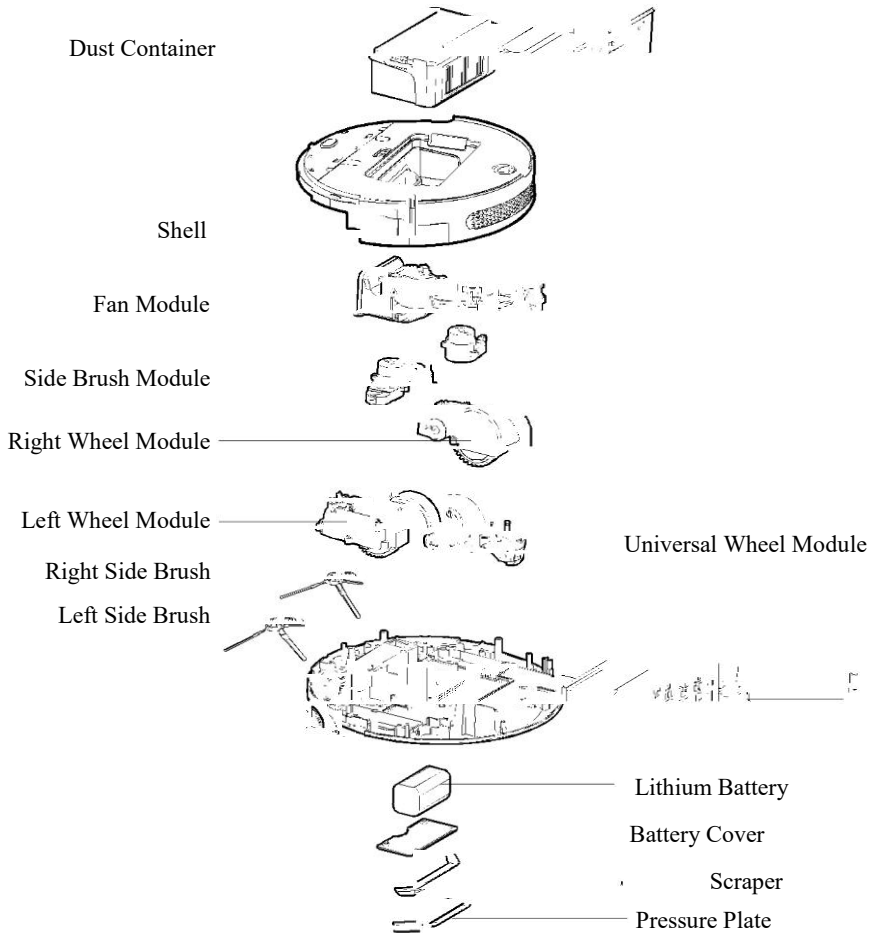


Clean suction passages regularly with cleaning tools or soft cloth.

6.1 Alarm Prompt

Message	Failure Cause	Solution
Dust container not installed	Dust Container was taken out and not installed	Pack the filter back into the dust container and press the cleaning key
Please check whether the wheels are jammed	The wheels holder is blocked up	Check whether the wheel has been wound and clean it up
Please check whether the front is jammed	The front holder is stuck	Check if the front holder can rebound itself normally
Low battery,Please charge this robot	Less than 20% power left	The machine automatically enters the recharge mode
Please check if the brush is wound or jammed	Brush edge issues	Check if the brush is entangled by wire/cable and clean up
Please move the machine to the open area and press the cleaning key for cleaning	The machine failed to recover	Move the vacuum to the spacious area and press the cleaning button

6.2 Replaceable Components



Make Life Smart

Manufacturer: TESVOR, Shenzhen Tian You Intelligence Co., Ltd
Address: 2nd Floor, Building B, You Xin Da Industrial
Park, Guangming New District, Shenzhen, China
Website: www.tesvor.com
Customer Contact: service@tesvor.com