

Thank you for purchasing the CPE. This CPE brings you a high speed wireless network connection.

This document will help you understand your CPE so you can start using it right away. Please read this document carefully before using your CPE.

For detailed information about the functions and configurations of the CPE, refer to the online help on the web management page that comes with the CPE.

Note:

You must install Adobe Reader version 6.0 or higher to read the online help.

Getting to Know Your CPE

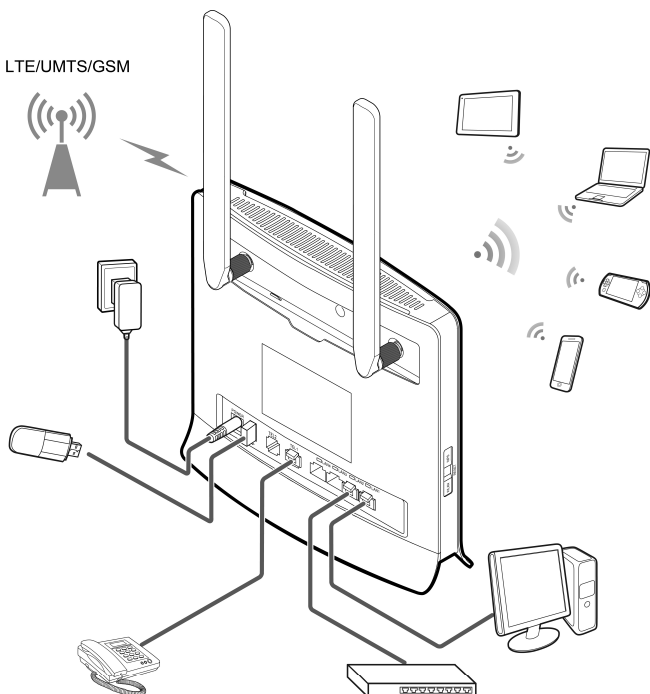
Note:

The CPE function descriptions and illustrations in this document are for your reference only. The product you have purchased may vary.

Application Scenario

The CPE can:

- Provide Internet access for Wi-Fi devices and computers.
- Connect to telephones for voice services.
- Connect to fax machines for fax services (optional).
- Be used to save and share files in USB storage devices.
- Expand LAN coverage together with hubs and switches.



Note:

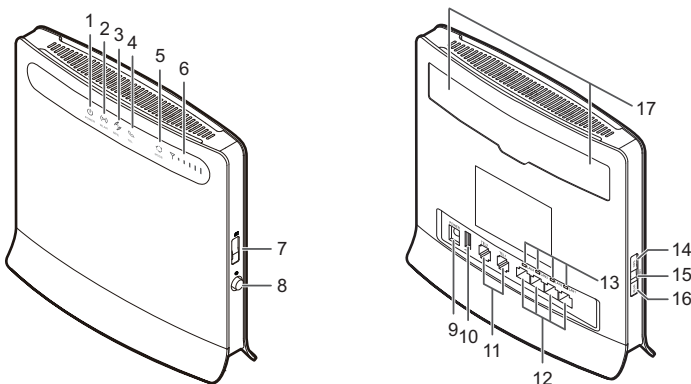
- During thunderstorms and rainy weather, turn off and disconnect the CPE.
- When the CPE is in use, you can alter its position or orientation to improve signal reception.
- Use a supplied external antenna to avoid CPE malfunctions.

Selecting the Installation Environment

Obstacles such as concrete and wooden walls will affect the transmission of the network signal. It is recommended that when you install CPE you choose an open space.

Keep the CPE away from equipment that generates strong magnetic and electric fields, for instance microwaves, refrigerators, and satellite receivers.

Appearance



① Power indicator

- On: CPE turned on
- Off: CPE turned off

② WLAN indicator

- On: WLAN function enabled
- Blinking: Transmitting data through WLAN
- Off: WLAN function disabled

③ WPS indicator

- On: WPS function enabled
- Blinking: WPS interconnection verification is in progress. This process should not take longer than 2 minutes.
- Off: WPS function disabled

④ TEL indicator

- Off: On-hook condition
- Blinking: Incoming call
- On: Off-hook condition

⑤ Mode indicator

- Steady blue: The CPE is connected to an LTE network, but no data is being transmitted.
- Blinking blue: The CPE is connected to an LTE network and is transmitting data.
- Steady green: The CPE is connected to a UMTS network, but no data is being transmitted.
- Blinking green: The CPE is connected to a UMTS network and is transmitting data.
- Steady yellow: The CPE is connected to a GSM network, but no data is being transmitted.
- Blinking yellow: The CPE is connected to a GSM network and is transmitting data.
- Steady red: The CPE failed to connect to a wireless network.
- Steady purple: The SIM card is not recognized, the PIN has not been entered, or the PIN verification failed.

⑥ Signal indicator

- On: Indicates network signal strength. Full light indicates strong signal.
- Off: No network signal.

⑦ USIM card slot

Accommodate a USIM card.

⑧ Power button

Press this button to power the CPE on or off.

⑨ Power port

Connect to the CPE's power adapter.

⑩ USB port

Connect to a USB storage device.

Note:

- Only USB storage devices in FAT and FAT32 formats are supported.
- This port cannot be connected to USB host devices, such as computers.

⑪ TEL port

Connect to telephones or a fax machine (optional).

Note:

Do not connect a telephone and fax machine to the CPE simultaneously.

⑫ LAN port

Connect to computers, switches, or other network devices.

⑬ LAN indicator

- On: The port is connected to a device.
- Blinking: Data is being transmitted through the port.
- Off: No device is connected to the port.

⑭ WPS button

After the WPS function is enabled, press and hold this button for more than 0.5 seconds to initiate WPS interconnection.

⑮ Reset button

Press and hold for more than 2 seconds to restore the CPE to its factory settings.

Note:

Restoring the default settings of the CPE will override all the previous settings.

⑯ WLAN button

Press and hold for more than 2 seconds to enable or disable the WLAN function.

⑰ External antenna port

Connect to an external antenna.

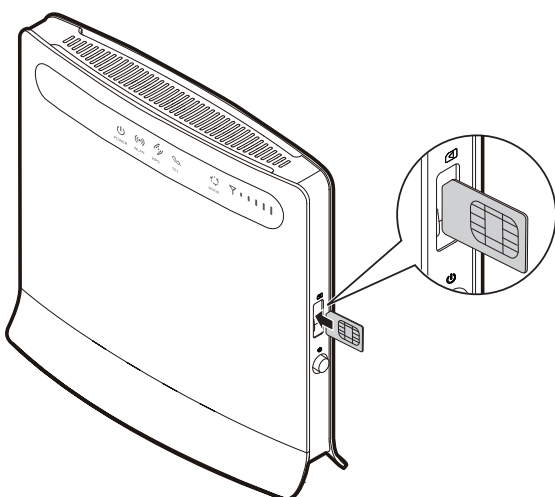
Note:

Do not power off the CPE during the upgrade. Otherwise, the CPE may be damaged.

Getting Started

Installing the USIM Card

Install the USIM card according to the illustration.

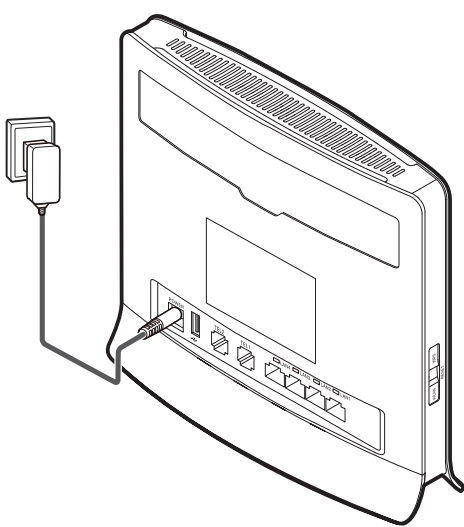


Note:

- When removing the USIM card, gently press the USIM card in, then release. The card will automatically pop out.
- Do not remove the USIM card when it is in use. Doing so will affect the performance of your CPE, and data stored on the USIM card may be lost.

Connecting to a Power Adapter

Install the power adapter according to the illustration.



Note:

- Only use power adapters compatible with the CPE and provided by a designated manufacturer. Use of an incompatible power adapter or one from an unknown manufacturer may cause the CPE to malfunction, fail, or could even cause a fire. Such use voids all warranties, whether expressed or implied, on the product.
- The CPE's power adapter model is HW-120100XYW, HW-120200XYW, HKA01212010-XY or HKA02412020-XY. X and Y represent letters or numbers that vary by region. For details about the specific adapter model, contact an authorized dealer.

Logging In to the Web Management Page

The web-based configuration utility can be used for initial CPE installation, parameter configuration, and function management through the browser.

The Windows XP operating system and Internet Explorer 7.0 are used as an example. Ensure that the CPE is connected to the computer. Follow these steps to log in to the web management page:

1. Connect CPE cables.
2. Configure the computer's IP address so that the IP addresses of the computer and the CPE are in the same network segment.

Note:

- The CPE's default IP address is 192.168.1.1, the subnet mask is 255.255.255.0.
 - It is recommended that you use the automatically obtained IP addresses for the computer and domain name system (DNS) server. If you manually configure the computer IP address, you must set the DNS server IP address to the CPE's IP address. Otherwise, you will fail to log in to the web management page.
3. Open the browser, and enter **http://192.168.1.1** in the address box.
 4. Enter the user name and password to log in to the web management page.

Note:

- The default user name is **admin**.
- The default password is **admin**.