

Wonderful Communication, Mobile Life

Welcome to HUAWEI C3300 CDMA Mobile Phone

HUAWEI C3300 CDMA Mobile Phone
User Manual

Copyright © 2006 Huawei Technologies Co., Ltd.

All Rights Reserved

No part of this manual may be reproduced or transmitted in any form or by any means without prior written consent of Huawei Technologies Co., Ltd.

Trademarks



and HUAWEI are trademarks of Huawei Technologies Co., Ltd.

All other trademarks mentioned in this manual are the property of their respective holders.

Notice

The information in this manual is subject to change without notice. Every effort has been made in the preparation of this manual to ensure accuracy of the contents, but all statements, information, and recommendations in this manual do not constitute the warranty of any kind, express or implied.

Safety Precautions

Before using the phone, please read the safety precautions carefully and let your children know these, so that you can use your phone correctly and safely. For details, see “Warnings and Precautions”.

	Do not switch on your phone when phone use is prohibited or when phone use may cause interference or danger.
	Do not use your phone while driving.
	Follow the rules or regulations in hospitals and health care facilities. Switch off your phone near medical apparatus.
	Switch off your phone in an aircraft. The phone may cause interference to control signals of the aircraft.
	Switch off your phone near high-precision electronic devices. The phone may affect the performance of these devices.
	Do not attempt to disassemble your phone or its accessories. Only qualified personnel are allowed to service or repair the phone.
	Do not place your phone or its accessories in containers with strong electromagnetic field.






	Do not place magnetic storage media near your phone. Radiation from the phone may erase the information stored on them.
	Do not put your phone in a high-temperature place or use it in a place with flammable gas such as a gas station.
	Keep your phone and its accessories away from children. Do not allow children to use your phone without guidance.
	Use approved batteries and chargers only to avoid explosion.
	Observe the laws or regulations on phone use. Respect others' privacy and legal rights when using your phone.

Table of Contents

1 Getting to Know Your Phone	1
Phone and Accessories.....	1
General Conversions	1
Your Phone.....	3
2 Getting Started	8
Installing and Removing the Battery	8
Inserting and Removing the UIM Card	11
3 Functions	15
Powering On and Off Your Phone.....	15
Making a Call.....	15
Answering a Call.....	16
Available Options During a Call.....	18
Manually Locking Your Phone	19
4 Text Entry	20
Changing Input Mode	20
Entering Text in English Mode	21
Entering Text in Predictive Input Mode	22
Hindi Input Mode.....	23

Entering Text in Hindi.....	24
Entering Numbers.....	25
Entering Symbols.....	25
5 Short Message Service.....	26
Creating a Message.....	26
Inbox.....	27
Outbox.....	28
Draftbox	28
Voice Mail	29
Deleting All	29
Settings.....	30
6 Phonebook	32
Searching a Contact	32
Adding a Contact	32
Groups.....	33
Speed Dial.....	34
Copying All Contacts.....	34
Deleting All Contacts.....	35
Options.....	35

7 Call Records	37
Missed Calls.....	37
Answered Calls	37
Dialed Calls.....	38
Clearing Records.....	38
Call Duration.....	38
8 Extras	39
Alarms	39
Calendar	40
Calculator	40
Stopwatch.....	41
Time Zone	42
Games.....	42
9 Sound	43
Adjusting Volume.....	43
Setting Alert Mode	43
Setting Ring Tone	44
Setting the Alarm Tone	44
Setting the SMS Receive Tone.....	44
Setting the SMS Send Tone	44

Setting Other Tones	45
10 Settings	46
Display.....	46
Time	48
Call.....	49
Language.....	53
Security	53
Restoring	56
11 Troubleshooting	58
12 Warnings and Precautions	60

1 Getting to Know Your Phone

Phone and Accessories

Before using your phone, check the package for the following items:

- | C3300 phone
- | Travel charger
- | Li-ion battery
- | *C3300 CDMA Mobile Phone User Manual*
- | *After-sales Service Manual*
- | *Warranty Card*

General Conversions

Operation Conventions

Action	Description
Press and hold	Press a key for two or three seconds.
Press	Press a key and release it immediately.
Select	Select an option on the screen by pressing the corresponding key


GUI Conventions

Convention	Description
Boldface	The name of an item appear on the phone display are in boldface. For example, Messages .
>	Multi-level menus are speared by a rightward arrow. For example, Menu > Messages indicates the Messages submenu under Menu .

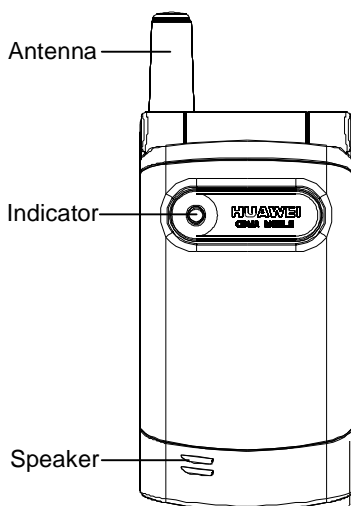
Symbols

Eye-catching symbols are used in this manual to highlight the points worthy of special attention during the operation.

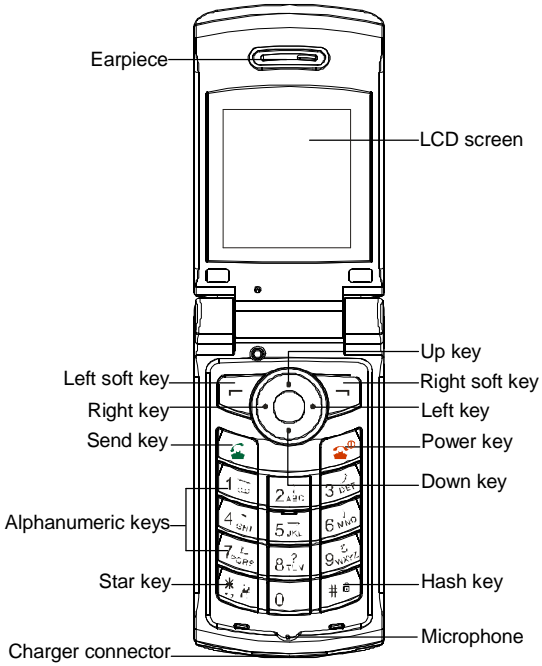
They are defined as follows.

Symbol	Name	Definition
&	Note	Means a complementary description.
	Caution	Means reader be extremely careful during the operation.

Your Phone



Front Veiw














Key Description

Key	Description
Send key	<ul style="list-style-type: none">Press it to make or answer a call.In the standby mode, press it to access the Call Record menu.
End key	<ul style="list-style-type: none">Press it to power on or off your phone.Press it to end a call.Press it to reject a call.Press it to return to the standby screen.
Left soft key	<ul style="list-style-type: none">In the standby mode, press it to select Menu.Press it to select a corresponding option when your phone is not in the standby mode.
Right soft key	<ul style="list-style-type: none">In the standby mode, press it to select Favourites.Press it to select a corresponding option when your phone is not in the standby mode.
Star key	<ul style="list-style-type: none">During the editing, press and hold it to display the list of symbols.In the English input mode, press it to switch between the case mode.In the standby mode, press and hold it to mute or un-mute the microphone.
Hash key	When the keypad is locked, press and hold it to unlock the keypad.

Key	Description
Alphanumeric keys	<ul style="list-style-type: none"> In the standby mode, press them to enter a phone number. During the editing, press them to enter letters, numbers or symbols. For items with a number prefix, press the numeric key to select a corresponding item.
Upward key	<ul style="list-style-type: none"> In the standby mode, press it to create a new message. Press it to scroll up items.
Downward key	<ul style="list-style-type: none"> In the standby mode, press it to access Phonebook. Press it to scroll down items.
Left key	<ul style="list-style-type: none"> In the standby mode, press it to access Calendar. Press it to scroll up items.
Right key	<ul style="list-style-type: none"> In the standby mode, press it to access Inbox. Press it to scroll down items.

Icon Description

Icon	Description
	Network signal strength.
	Outside the network service area.
	Alarm clock on.
	Call privacy set.
	Phone lock set.
	Voice mail received.
	Vibration on.
	Silence on.
	New message received.
	Urgent or high urgent message received.
	Roaming.
	Battery level.

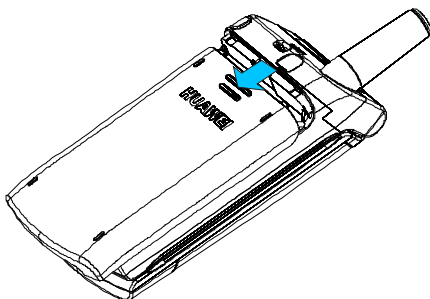
2 Getting Started

Installing and Removing the Battery

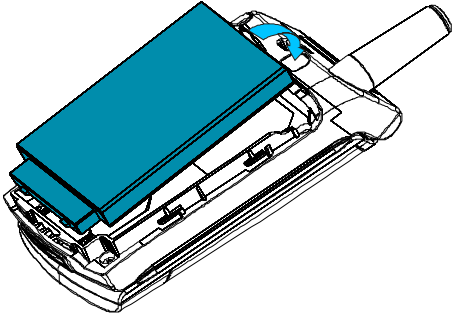
Your phone is powered by the Li-ion battery. Use the battery approved by Huawei only. Handle the battery with care.

Installing the Battery

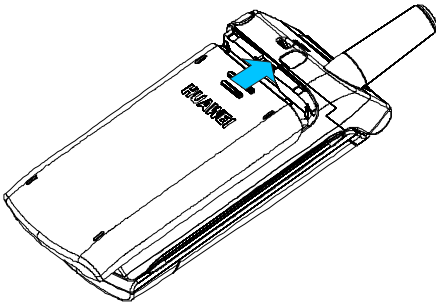
1. Press and slide the back cover away.



2. Install the battery into the battery compartment.

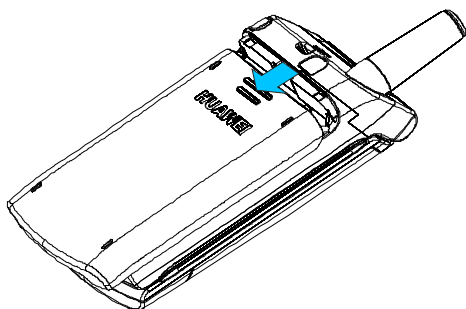


3. Slide the back cover back.

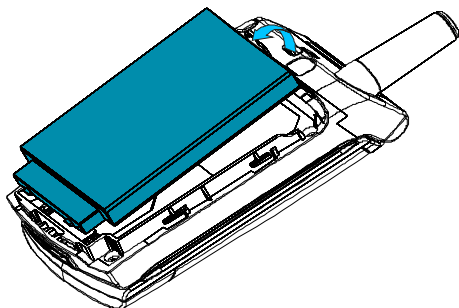


Removing the Battery

1. Press and hold the End key to power off your phone.
2. Press and slide the back cover away.



3. Take out the battery.



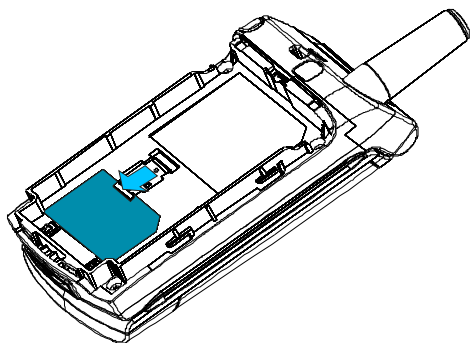
Inserting and Removing the UIM Card

A UIM card tracks subscriptions you subscribe to and contacts.

Insert a UIM card into your phone before use.

Inserting the UIM Card

1. Power off your phone
2. Remove the battery.
3. Slide the UIM card into the cardholder. Make sure that the golden contact of it is facing the connectors in the cardholder.
4. Push the latch downwards.

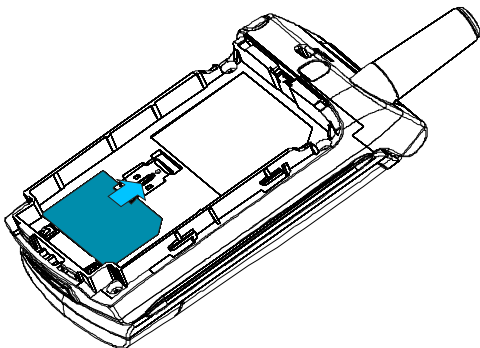


Removing the UIM Card

1. Power off your phone
2. Remove the battery.

3. Push the latch upwards

4. Take out the UIM card.



Caution:

- | Before inserting or removing a UIM card,
- | Keep a UIM card out of the reach of children.
- | To avoid damage to a UIM card or its golden contact, do not scratch or bend the UIM card when using, inserting or removing it.

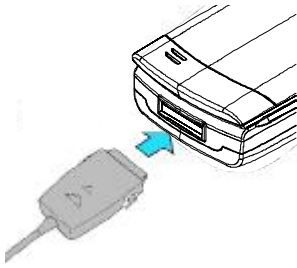
Charging

Use the travel charger delivered with the C3300 phone.

Unapproved charger may cause explosion.

1. Install the battery.

-
2. Connect the plug of the travel charger to the charger connector of your phone.



3. Connect the power cord of the travel charger to the power socket.
4. After the charge completes, disconnect the travel charger from the power socket and your phone.



Caution:

- | To avoid damage to your phone or the charger, connect or disconnect the charger with care.
 - | To avoid damage to your phone or the charger, do not charge your phone when the battery is not installed.
 - | Do not use damaged or worn out batteries or damaged charger.
 - | To achieve the best performance of the battery, charge the battery at least eight hours.
 - | A new battery can reach its best performance after it is charged and recharged several times.
 - | The battery can be charged and discharged for hundreds of times. However, it will finally wear out. If the standby time and the talk time of the battery is noticeably shorter than normal, replace it.
-

3 Functions

Powering On and Off Your Phone

Powering On

When your phone is off, press and hold the Power key to power on it.

Powering Off

In the standby mode, press and hold the **Power** key to power off it.

Making a Call

Through the Keypad

1. In the standby mode, press alphanumeric keys to enter the area code and phone number.
2. Press the **Send** key to dial.

From the Phonebook

1. In the standby mode, press the **Down** key to access **Phonebook**.
2. Select a contact.
3. Press the **Send** key to dial.

From the Call History

1. Press the **Send** key to access **Call Records**.
2. Select a record.
3. Press the **Send** key to dial.

From a Message

1. Press the **Right** key to access **Inbox**.
2. Select a message.
3. Select **View** > **Options** > **Call** to dial.

Speed Dialing

Press and hold **2** to **9** to speed dial a contact. For details, see "Speed Dial" on page 31

Making an International Call

1. Press the **Star** key to enter **+**.
2. Enter the country code, area code and phone number.
3. Press the **Send** key to dial.

& Note:

- 1 While waiting a call to be put through, to avoid damage to your hearing, do not place your phone too close to your ear.
 - 1 When a call is put through, your phone plays an alert to remind you of it. To avoid damage to your hearing, do not put your phone close to your ear at this time.
-

Answering a Call

When there is an incoming call, your phone plays the ringtone and you can press the **Send** key to answer it. If

you have save the phone number of the incoming call as a contact to the phonebook, your phone displays the name and the phone number. Otherwise, you phone only displays the phone number.

The caller ID display is network dependent.

& Note:

- | To avoid damage to your hearing, adjust the earpiece volume before putting your phone close to your ear.
 - | You can answer a call when the keypad is locked.
-

Flip Open

You can answer a call by flipping open your phone. For details, see "Answer Mode" on page

Any Key

You can press any key to answer a call. For details, see "Answer Mode" on page 50.

Auto

Your phone will auto answer a call when no body answers it. For details, see "Answer Mode" on page 50.

Rejecting

You can press the **Power** key to reject a call.

Available Options During a Call

During a call, you can:

- | Adjust the earpiece volume
- | Switch between the handsfree and handheld mode
- | Set the voice privacy
- | Mute the call
- | View the phonebook
- | Send a message

Adjusting Volume

Press the **Up** or **Down** key to adjust the earpiece volume.

Handsfree

1. Press the right soft key to switch your phone to the handsfree mode. Then, you do not need to hold your phone close to an ear to listen.
2. Press the right soft key again to switch back to the handheld mode.

Muting

1. Press the left soft key to select **Mute**.
2. Press the left soft key to set the mute function. After you mute the call, the other side cannot hear your voice.
3. You can press the right soft key to cancel the muting.

Voice Privacy

1. Press the left soft key to select **Voice Privacy**.

-
2. Select the voice privacy level. You can select **Standard** or **Enhanced**. For details, see "Privacy" on page

Short Message

1. Press the left soft key to select **Messages**.
2. Press the left soft key to access **Messages** to use the function. For details, see "Short Message Service" on page 26.

Phonebook

1. Press the left soft key to select **Phonebook**.
2. Press the left soft key to access **Phonebook**. For details, see "Phonebook" on page 32.

Manually Locking Your Phone

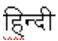
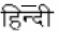
In the standby mode, you can manually lock your phone.

1. Enable the phone lock function. For details, see "Phone Lock" on page 53.
2. Press and hold the **Hash** key to manually lock your phone.

4 Text Entry

Input Modes

You can enter English and Hindi characters, numbers, and symbols on your phone. The following input modes are available:

- | $EN_{ABC}\backslash EN_{Abc}\backslash EN_{abc}$: Upper case/Initial capital/Lower case English input mode
- | $EN_{\overline{ABC}}\backslash EN_{\overline{Abc}}\backslash EN_{\overline{abc}}$: Upper case/Initial capital/Lower case predictive English input mode
- |  हिन्दी: Hindi input mode
- |  हिन्दी : Predictive Hindi input mode
- | **123**: Number input mode

In the text entry mode, the following shortcut keys are available:

- | The **1** key: Press it to enter a symbol.
- | The **Hash** key: Press it to switch between English input mode and number input mode. In the English input mode or predictive input mode, press and hold the key for a few seconds to switch between upper case, lower case, and initial capital.

-
- 1 The **Star** key: In the English input mode and number input mode, press this key to display the symbol list. In the English input mode press and hold this key to switch to the predictive input mode.
 - 1 The **Up** key or **Down** key: In the predictive input mode, press this key to select the previous or next word.
 - 1 You can enter 160 characters at most. During the process of text entry, the screen displays the number of residual characters.

Entering Text in English Mode

In the EN_{ABC} , EN_{Abc} or EN_{abc} mode, you can press and hold **#** to switch between upper case, initial capital, and lower case.

To enter text, you must press the numeric key labeled with the required letters. Press the key once to enter the first letter on the key, twice to enter the second letter and so on.

If the letter you want to enter is on the same key as the previous letter, you can enter the latter one only after the cursor appears again. Alternatively, you can press **Down** to move the cursor to the next space.

Example:

To enter "HUAWEI", do as follows:

1. Switch to the upper case mode EN_{ABC} .
2. Press **4** twice to enter the letter "H".

-
3. Press **8** twice to enter the letter "U".
 4. Press **2** once to enter the letter "A".
 5. Press **9** once to enter the letter "W".
 6. Press **3** twice to enter the letter "E".
 7. Press **4** three times to enter the letter "I".

Entering Text in Predictive Input Mode

In the $\overline{\text{ENABC}}$, $\overline{\text{ENABC}}$ or $\overline{\text{ENabc}}$ mode, you can press and hold **#** for a few seconds to switch between upper case, initial capital, and lower case predictive input mode.

To enter a word in the predictive input mode, perform the following steps:

1. Press the numeric keys corresponding to the letters of the word.
2. Press **Up** or **Down** until the desired word appears.
3. Press **0** to select the word and enter a space after this word.

Example:

To enter the word "english", do as follows:

1. Switch to the lower case predictive input mode $\overline{\text{ENabc}}$.
2. Press **3, 6, 4, 5, 4, 7,** and **4** in turn.
3. The word "english" is displayed.
4. Press **Up** or **Down** to select the predictive term "english" and then press the left soft key to enter it.

Hindi Input Mode

Hindi characters are based on the Devanagari script. It consists of independent vowel characters, dependent vowel signs, and consonants.

Key **1** corresponds to independent vowels; keys **3** and **9** correspond to dependent vowel signs; keys **4**, **5**, **6**, **7**, and **8** correspond to consonants. You can type complex characters by combining consonants with dependent vowel signs. You can press the key **0** to insert space in your text.

The following table illustrates the mapping of the keys in the keypad to the corresponding Hindi characters.

Key	Characters												
1	•		1	१									
2	अ	आ	आँ	इ	ई	उ	ऊ	ए	ऐ	ऍँ	ओ	औ	2 २
3	ा	ि	ी	ु	ू	ँ	े	ै	ँ	ो	ौ	ृ	3 ३
4	क	ख	ग	घ	ङ	च	छ	ज	झ	ञ	4	४	
5	ट	ठ	ड	ढ	ण	5	५						
6	त	थ	द	ध	न	6	६						
7	प	फ	ब	भ	म	7	७						
8	य	र	ल	व	श	ष	स	ह	ऋ	४	८		
9	़	ँ	ं	्	ः	9	९						
0													

Entering Text in Hindi

The Hindi input mode is a Multitap mode. To type a character associated with a key, you must tap the key a multiple number of times, until you get the desired character. The following example illustrates how to enter text in the Hindi input mode.

Press # key to select the Hindi input mode हिन्दी. Press and hold * for a few seconds to switch to the predictive Hindi mode हिन्दी.

Example:

To type हुआवे, do as follows:

1. Press **#** to switch to the Hindi input mode हिन्दी.
2. Press **8** eight times to type ह.
3. Press **3** four times to type ह.
4. Press **2** twice to type हुआ.
5. Press **8** five times to type हुआव.
6. Press **3** seven times to type हुआवे.

Entering Numbers

Switch the text input mode to “**123**” and press the numeric keys to enter the numbers.

Entering Symbols

In the English input mode, you can press ***** to display a list of symbols. Then press **Up** or **Down** to look for the desired symbol and press a numeric key to enter the corresponding symbol.

Alternatively, you can press **1** in the text entry mode to directly enter a desired symbol. If the symbol displayed is not the desired one, continue pressing the numeric key **1** until the desired symbol appears.

5 Short Message Service

You can use your phone to send and receive messages.



Creating a Message

Create a message to send it to a phone number or contact.

1. Select **Menu > Messages > White Message**. Also, you can press the **Up** key to access **White Message**.
2. Enter the content in the **Edit** window. The upper side of it displays the remaining characters you can enter.
3. Press the left soft key to select **Options** to:
 - Ø **Send** to send the message to a recipient.
 - Ø **Send & Save** to send the message to a recipient and save it to the outbox.
 - Ø **Save** to save the message to the outbox.
 - Ø **Insert Phrase** to insert frequently used phrases. There are ten phrases to select.
 - Ø **Insert Number** to insert a phone number of a contact in the phonebook into the message.
 - Ø **Insert Name** to insert a name of a contact in the phonebook into the message.
4. Select **Send** to access the **Add Number** menu. You can select **Find** to access **Name List** to select a contact or you can enter a phone number directly.

-
5. After selecting a contact, you can press the **Send** key to send the message. Alternatively, you can press the left soft key to select **Option** to select:
 - Ø **Send** to send the message.
 - Ø **Add** to add more contacts.
 - Ø **Delete** to delete a selected contact.
 - Ø **Priority > Normal/Urgent/Emergency**.
 - Ø **Call Back No.** to set the call back number.
 6. Select **Send** to send the message.

Inbox

The inbox saves received messages. When there is an incoming message, your phone plays the SMS receive tone and displays . If  blinks, it indicates that the inbox is full.

1. Select **Menu > Messages > Inbox**.
2. Press the **Up** or **Down** key to scroll to a message. Press the left soft key to select **View** to read the message.
3. Select **Options** to select:
 - Ø **Reply** to reply to the sender.
 - Ø **Delete** to delete the message.
 - Ø **Forward** to forward the message.
 - Ø **Call** to call the sender.

Ø **Save Number** to save the sender's phone number to the phonebook.

Ø **Add to Name** to add the sender's phone number to a contact in the phonebook.

4. After reading the message, press the right soft key to return to the previous menu.

Outbox

The outbox saves sent messages.

1. Select **Menu > Messages > Outbox**.
2. Press the **Up** or **Down** key to scroll to a message and press the left soft key to select **View** to read the message.
3. Select **Options** to select:
 - Ø **Resend** to resend the message.
 - Ø **Edit** to edit the message.
 - Ø **Delete** to delete the message.
 - Ø **Forward** to forward the message.
4. Press the right soft key to return to the previous menu.

Draftbox

The draftbox saves drafts.

1. Select **Menu > Messages > Draftbox**.
2. Press the **Up** or **Down** key to scroll to a draft and press the left soft key to select **View** to read the draft.

-
3. When reading the draft, press the left soft key to select **Options** to select:
 - Ø **Edit** to edit the draft.
 - Ø **Send** to send the draft.
 - Ø **Delete** to delete the draft.
 4. Press the right soft key to return to the previous menu.

Voice Mail

The voice mail function is network dependent. For details, consult your service provider.

1. You can access **Voice Mail** in two ways:
 - Ø Select **Menu > Messages > Voice Mail**.
 - Ø In the standby mode, press and hold **1**.
2. Select a voice mail and select **Options** to select:
 - Ø **Call** to call your voice mail box to check the voice mail.
 - Ø **Delete** to delete the voice mail.

Deleting All

Select **Menu > Messages > Delete All** to select:

-
- | **Inbox** to delete all messages in the inbox.
 - | **Outbox** to delete all messages in the outbox.
 - | **Draftbox** to delete all drafts in the draftbox.
 - | **All** to delete all messages and drafts.

Settings

Select **Menu > Messages > Settings** to access **Settings**. You can set **Voice Mail No.**, **Call Back No.**, **Memory Status**, **Delivery ACK**, **Phrase**, **Signature** and **Statistic**.

Voice Mail Number

If you want to use the voice mail function, you need to subscribe to your service provider for a voice mail number.

1. Select **Voice Mail No.**.
2. Enter the voice mail number
3. Select **OK**.

Call Back Number

You can set the call back number.

1. Select **Call Back No.**.
2. Select **Enable** to enter the phone number.
3. Select **OK**.

Memory Staus

1. Select **Memory Status**.
2. You can view the message memory status of your phone and the UIM card.

You phone can save up to 80 messages. The UIM card capacity decides how many messages it can save.

Delivery Acknowledgement

1. Select **Delivery ACK**.
2. Press the **Up** or **Down** key to scroll to **On** or **Off**.
3. Select **OK** to select.

If you select **On**, a delivery report will be sent to your phone when a message is sent successfully.

Phrase

Select **Phrase** to view or edit phrases.

Signature

Select **Signature** to edit your signature.

Statistic

1. Select **Statistic**.
2. Select **View** to view the number of sent messages and the number of received messages.
3. Select **Clear > Sent Counter/Received Counter/All** to clear a specific statistic.

6 Phonebook

The phonebook can save up to 300 contacts. The UIM card capacity decides how many contacts it can save.

Searching a Contact

Contacts are arranged in accordance with the alphabetic order. Do the following to search a contact:

1. Select **Menu > Phonebook > Search** to access the **Name** window.
2. Enter the name of a contact in the **Name** window. Then select **OK**.
3. Select **View** to view details of the searched contact.
4. Select **Options** to select:
 - Ø **White Message** to send a message to the contact.
 - Ø **Edit** to edit the name and phone number of the contact.
 - Ø **Copy Record** to copy the contact to your phone or the UIM card.
 - Ø **Delete** to delete the contact.
 - Ø **View** to view details.

Adding a Contact

A new contact is saved to the memory in use. To set the storage position, see "Memory In Use" on page 36.

Do the following to add a contact:

-
1. Select **Menu > Phonebook > Add New**.
 2. Enter the phone number and select **Save**.
 3. You can set the type of the phone number to:
 - Ø **Mobile**
 - Ø **Office**
 - Ø **Home**
 4. Enter the name and select **Save**.

Groups

You can classify contacts into groups to manage. Your phone provides ten groups.

1. Press **Menu > Phonebook > Groups**.
2. Press the **Up** and **Down** key to scroll to a group.
3. Select **Options** to view details, add contacts, rename groups, or delete contacts.

Viewing

Select a group and select **View** to view details. If the group contains contacts, your phone displays contacts. If the group does not contain any contact, your phone displays "Empty".

Adding

1. In a group.
2. Select **Add** to add contacts to the group.

Renaming

1. In a group.
2. Select **Rename** to rename the group.
3. Select **Save** to confirm.

Deleting

1. In a group.
2. Select **Delete**.
3. Press the **Up** and **Down** key to scroll to a contact.
4. Select **Select** to select the contact.
5. Select **Yes** to delete the contact.

Speed Dial

You can assign **2 –9** numeric keys to contacts to speed dial. When making a call, you can press and hold a key to call the corresponding contact quickly. You can set up to eight speed dial number.

1. Select **Menu > Phonebook > Speed Dial**.
2. Press the **Up** or **Down** key to scroll to **2** to **9**. If a key is not assigned, "Empty" is displayed beside it.
3. Select **Options > Assign**.
4. Press the **Up** or **Down** key to scroll to a contact.
5. Select **Select** to assign the key to the contact.

Copying All Contacts

You can copy or move contacts from or to your phone.

Select **Menu > Phonebook > Copy All** to select:

- | **Copy To Phone** to copy contacts in the UIM card to your phone.
- | **Copy To UIM** to copy contacts in your phone to the UIM card.
- | **Move To Phone** to move contacts in n the UIM card to your phone.
- | **Move To UIM** to move contacts in your phone to the UIM card.

Deleting All Contacts

Select **Menu > Phonebook > Delete All**.

After entering the phone lock key, you can select:

- | **Phone** to delete all contacts saved in your phone.
- | **UIM** to delete all contacts saved in the UIM card.
- | **All** to delete all contacts saved in your phone and the UIM card.

Options

Select **Menu > Phonebook > Options** to view details of **My Phone No.**, **Memory In Use** and **Memory Status**.

My Phone Number

Select **My Phone No.** to view your own number.

If you do not set your own number, select **Edit** to enter.

Memory In Use

Select **Memory In Use** to set the memory of saving contacts.

- 1 Select **Phone** to set the memory in use to your phone. You can save up to 300 contacts to your phone.
- 1 Select **UIM** to set the memory in use to the UIM card. The UIM card capacity decides how many contacts it can save.

Memory Status

Select **Memory Status** to view the number of contacts saved in your phone and the UIM card.

7 Call Records

Your phone records missed calls, received calls, dialed calls and the call duration.

Missed Calls

You can do the following to check missed calls:

1. Select **Menu > Call Records > Missed Calls**.
2. Press the **Up** or **Down** key to scroll to a missed call.
3. Select **View** to view the date, time, phone number and the name of it.
4. Select **Options** to select:
 - Ø **White Message** to send a message to the phone number of the missed call.
 - Ø **Save Number** to save the phone number of the missed call.
 - Ø **Add To Name** to add the phone number to a contact.
 - Ø **Delete** to delete the missed call.

Answered Calls

For details of how to check answered calls and relative operations, see Missed Calls on page 37.



Caution:

Answered Calls also saves calls rejected by you.

Dialed Calls

For details of how to check dialed calls and relative operations, see Missed Calls on page 37.

Clearing Records

Select **Menu > Call Records > Delete All** to select:

- | **Missed Calls** to delete all missed calls.
- | **Answered Calls** to delete all answer calls.
- | **Dialed Calls** to delete all dialed calls.
- | **All** to delete all.

Call Duration


You can check and clear the call duration.

1. Select **Menu > Call Records > Call Duration**.
2. Use the **Up, Down, Left** or **Right** keys to scroll to **Last Call, Answered Calls, Dialed Calls** and **Total**.
3. Select **Clear** to clear the call duration.

8 Extras

Your phone provides the alarm clock, calendar, calculator, stopwatch, time zone, and game function.

Alarms

Your phone provides three alarm clocks. After you set the alarm clock, your phone displays .

Your phone plays the alarm tone at the set time. You can press the **Power** key to turn off the alarm clock.

1. Select **Menu > Extras > Alarms**.
2. Scroll to an alarm clock and select **OK** to select:
3. **On** or **Off**. Select **On** to enable the alarm clock.
4. After enabling the alarm clock, enter the time of the alarm clock in the **Set Time** window.
 - Ø Press the **Left** or **Right** key to move the cursor.
 - Ø If you use the 12-hour format, press the **Up** or **Down** key to select **AM** or **PM**.
5. After setting the time, set the repeat method in the **Set Repeat Method** window. You can set it to **Once**, **Everyday**, **Mon-Fri** or **Mon-Sat**.
6. After setting, select **OK** to save the setting.

**Caution:**

If you do not turn off the alarm clock, your phone automatically snoozes it and plays the alarm tone in ten minutes. Your phone can snooze the alarm clock for three times.

Calendar

You can check both the solar calendar. The date range is from January 1, 1900 to December 31, 2099.

1. Select **Menu > Extras > Calendar** to display the calendar of the current month.
2. Press the **Up, Down, Left** or **Right** key to select a date.
3. Select **Options** to select:
 - Ø **Go To Date**. After entering a date, your phone displays the calendar of the date.
 - Ø **Week of Year** to check the week number.

Calculator

You can use your phone to do basic calculation.

Select **Menu > Extras > Calculator**. Your phone displays keys of corresponding signals.

Key	Function
0 – 9	Press them to enter 0 – 9
Up key	Press it to enter +
Down key	Press it to enter - .
Left key	Press it to enter ´ .
Right key	Press it to enter ¸ .
Star key	Press it to enter a decimal.
Hash key	Press it to enter - .
Left soft key	Press it to display the result.
Right soft key	Press it to clear.

Stopwatch

The stopwatch can record up to 99: 99: 99: 9. Your phone displays the last record and can save up to ten records.

1. Select **Menu > Extras > Stopwatch**.
2. Select **Start** to start running the stopwatch. When the stopwatch is running, you can select **Capture** to capture the current time. Or, you can select **Stop** to stop the stopwatch.
3. After stopping the stop watch, select **Continue** to run it again. Or, select **Clear** to clear records.

Time Zone

Your phone provides 72 time zones for you to check the time of different time zone.

1. Select **Menu > Extras > Time Zone**.
2. Select **List** to view the list of cities.
3. Press the **Up** or **Down** key to scroll to a city.
4. Select **View > OK** to select.

Games

Your phone provides the **Golf** and **XKid** games. The games are interesting and easy to play.

For details of how to play the games, follow the instruction of **Help** of the game.

9 Sound

You can:

- | Adjust the volume
- | Set the alert type
- | Set the ring tone
- | Set the alarm tone
- | Set the SMS receive tone
- | Set other tones

Adjusting Volume

Select **Menu > Sound > Volume** to select:

- | **Ring Tone** to adjust the ring tone volume.
- | **Earpiece** to adjust the earpiece volume.
- | **Keypad Tone** to adjust the keypad volume.

When adjusting the volume, press:

- | The **Up** key to increase the volume.
- | The **Down** key to decrease the volume.
- | Select **Select** to confirm.

Setting Alert Mode

Select **Menu > Sound > Alert Mode**.

You can set the alert mode to **Silence, Ring, Vibra, Vibra & Ring** or **Ring after Vibra**.

Setting Ring Tone

Your phone provides 12 ring tones.

1. Select **Menu > Sound > Ring Tone**.
2. Press the **Up** or **Down** key to scroll to a ring tone, then your phone plays the ring tone.
3. Select **Select** to confirm.

Setting the Alarm Tone

Your phone provides 12 alarm tones.

1. Select **Menu > Sound > Alarm Tone**.
2. Press the **Up** or **Down** key to scroll to a ring tone, then your phone plays the ring tone.
3. Select **Select** to confirm.

Setting the SMS Receive Tone

Your phone provides three SMS receive tones.

1. Select **Menu > Sound > SMS Receive Tone**.
2. Press the **Up** or **Down** key to scroll to a ring tone, then your phone plays the ring tone.
3. Select **Select** to confirm.

Setting the SMS Send Tone

Select **Menu > Sound > SMS Send Tone**. You can select **Enable** or **Disable** to enable or disable the SMS send tone.

Setting Other Tones

Select **Menu > Sound > Other Tones**.

You can set **Power On Tone**, **Power Off Tone**, **Flip Tone**, **Warning Tone** and **Info Prompt Tone**.

Power On Tone

Your phone provides two power on tones. You can also disable the power on tone.

Power Off Tone

Your phone provides two power off tones. You can also disable the power off tone.

Flip Tone

You can enable or disable the flip tone.

Warning Tone

You can enable or disable the warning tone.

Info Prompt Tone

You can enable or disable the info prompt tone.

10 Settings

The setting items include:

- | Display
- | Time
- | Call
- | Language
- | Security
- | Factory restore

Display

Select **Menu > Settings > Display**.

You can set:

- | Wallpapers
- | Backlight
- | LCD contrast
- | Animation
- | Greetings
- | Operator logo
- | LED

Wallpaper

Your phone provides 32 wallpapers of which one is blank.

1. Select **Wallpapers**.
2. Press the **Up** or **Down** key to scroll to a wallpaper.

3. Select **Preview** to view it.

4. Select **Set** to select.

Backlight

1. Select **Backlight**.

2. Select **10 sec**, **20 sec** or **Always On**.

3. Select **Select** to complete the setting.

LCD Contrast

1. Select **LCD Contrast**.

2. Select the **Up** key to increase the LCD contrast.

3. Select the **Down** key to decrease the LCD contrast.

4. Select **OK** to complete the setting.

Animation

1. Select **Animation**.

2. Select **Power On** or **Power Off**.

3. Select **Enable** or **Disable**.

4. Select **Select** to complete the setting.

Greetings

1. Select **Greetings**.

2. Enter the content.

3. Select **Save** to complete the setting.

Operator Logo

1. Select **Operator Logo**.

2. Select **Enable** or **Disable**.

-
3. Select **Select** to complete the setting.

LED

1. Select **LED**.
2. Select **Enable** or **Disable**.
3. Select **Select** to complete the setting.

Time

Select **Menu > Settings > Time**.

You can set:

- l Time format
- l Date format
- l Display time

Time Format

1. Select **Time Format**.
2. You can select **12-hour** or **24-hour**.
3. Select **Select** to complete the setting.

Date Format

1. Select **Date Format**.
2. Select **DD/MM/YYYY** or **YYYY/MM/DD**.
3. Select **Select** to complete the setting.

Display Time

1. Select **Display Time**.
2. Select **Enable** or **Disable**.
3. Select **Select** to complete the setting.

Call

Select **Menu > Settings > Call**.

You can set:

- | Call waiting
- | Call forward
- | Call restriction
- | Answer mode
- | Auto retry
- | Minute
- | International call prefix
- | Privacy

Call Waiting

1. Select **Call Waiting**.
2. Select **Activate** or **Deactivate**.
3. Select **OK** to complete the setting.

The call waiting is network dependent. For details, consult your service provider.

Call Forward

You can forward incoming calls to a preset phone number. The call forward is network dependent. For details, consult your service provider.

1. Select **Call Forward** to select.

-
- | **Unconditional** to forward all incoming calls.
 - | **Busy** to forward an incoming call when your phone number is busy.
 - | **No Answer** to forward an incoming call when no body answers it.
 - | **Busy/No Answer** to forward an incoming call when your phone number is busy or no body answers the call.
2. Select **Activate** (select **Deactivate** to deactivate the call forward function).
 3. Enter the forwarded to phone number.
 4. Select **OK** to complete the setting.

Call Restriction

1. Select **Call Restriction**.
2. You can select:
 - | **Disable** to disable the call restriction.
 - | **Int'l Calls** to restrict outgoing calls to foreign countries or regions.
 - | **All Calls** to restrict all outgoing calls.

Answer Mode

1. Select **Answer Mode**.
2. You can select:

-
- | **Auto** to set your phone to automatically answer a call if no body answers the call within the preset period. You can select **Disable**, **5 sec**, **10 sec** or **15 sec**.
 - | **Any Key** to press any key to answer a call. However, you cannot press the **Power** key, right soft key, **Up** key, **Down** key, **Left** key or **Right** key to answer a call.
 - | **Open Flip** to open the flip to answer a call and close the flip may end a call.

Auto Retry

1. Select **Auto Retry**.
2. You can select:
 - | **Disable**
 - | **10 sec**
 - | **30 sec**
 - | **60 sec**

If you enable the auto retry function, when the call attempt fails, your phone will auto re-dial the phone number in the preset period until the call succeeds,

Minute Alert

1. Select **Minute Alert**.
2. You can select:

| **Disable**

| **45 sec**

| **50 sec**

| **55 sec**

If you enable the minute alert function, your phone will remind you of the time by playing the minute alert every minute during a call.

International Call Prefix

1. Select **Int'l Call Prefix**.
2. Enter the prefix.
3. Select **Save** to complete the setting.

Privacy

1. Select **Privacy**.
2. Select **Standard** or **Enhanced**.
3. Select **Select** to complete the setting.

Language

1. Select **Menu > Settings > Language**.
2. Select **English** or **Simplified Chinese**.
3. Select **Select** to complete the setting.

Security

Select **Menu > Settings > Security**.

You can:

- | Set the phone lock code
- | Change the phone lock code
- | Set the PIN1 code
- | Change the PIN1 code
- | Change the PIN2 code
- | Set your phone to reject other UIM card

Phone Lock

The phone lock function can protect your phone from unauthorized use. The default phone lock code of your phone is 0000.

1. Select **Phone Lock**.
2. Select **Enable** or **Disable**.

-
3. Enter the phone lock code.
 4. Select **OK** to complete the setting.

Changing Phone Lock

1. Select **Change Phone Lock**.
2. Enter the default phone lock code **0000**.
3. Select **OK**.
4. Enter the new phone lock code in the **New Phone Lock** field. (The new phone lock code should be a numeric string of four digits.)
5. Select **OK**.
6. Enter the new phone lock code again in the **Confirm Phone Lock** field.
7. Select **OK** to complete the setting.

PIN1

The personal identity number (PIN) can protect your UIM card from unauthorized use. The PIN code is delivered with the UIM card.

1. Select **PIN1**.
2. Select **Enable** or **Disable**.
3. Enter the PIN code.
4. Select **OK** to complete the setting.



Caution:

If you enter wrong PIN codes three times in a row, your phone locks the UIM card. In this case, you need to use the personal unblocking key (PUK) to unlock PIN.

Changing PIN1

1. Select **Change PIN1**.
2. Enter the current PIN code in the **Old PIN** field.
3. Select **OK**.
4. Enter the new PIN code in the **New PIN** field. (The new PIN code should be a numeric string of four digits.)
5. Select **OK**.
6. Enter the new PIN code again in the **Confirm PIN** field.
7. Select **OK** to complete the setting.



Caution:

If you enter wrong PIN codes three times in a row, your phone locks the UIM card. In this case, you need to use the personal unblocking key (PUK) to unlock PIN. And if you enter wrong PUK codes ten times consecutively, the phone will be locked. Contact your service provider.

Changing PIN2

The PIN2 code is delivered with the UIM card. You need to enter the PIN2 code when you subscribe to some services.

1. Select **Change PIN2**.
2. Enter the current PIN2 code in the **Old PIN** field.
3. Select **OK**.
4. Enter the new PIN2 code in the **New PIN** field.
5. Select **OK**.
6. Enter the new PIN2 code in the **Confirm** field.

Rejecting Other UIM

1. Select **Reject Other UIM**.
2. Select **Enable** or **Disable**.
3. Enter the phone lock code.
4. Select **OK** to complete the setting.

Restoring

1. Select **Menu > Settings > Factory Restore**.
2. Enter the phone lock code.
3. Select **OK**.
4. Your phone displays "Restore Factory Settings?".
5. Select **Yes** to proceed.
6. Select **No** to cancel the operation.



Caution:

Your phone can be restored to the default setting. However, contacts and messages saved in the phone will not be deleted.

11 Troubleshooting

If you encounter any problem when using your phone, try to solve the problem according to the following table. If the problem still occurs, contact the local vendor.

Problem	To Make Sure...
The battery cannot be charged	The charger is properly connected to your phone and the power socket.
Your phone cannot be powered on	<ul style="list-style-type: none">┆ The battery level is high enough.┆ The battery is installed properly.┆ Press and hold the Power key long enough.
You have inserted the UIM card, but your phone displays "Please insert UIM" or "Check UIM".	<ul style="list-style-type: none">┆ The UIM card is inserted properly.┆ The UIM card is valid.
After you power on your phone, it displays "Locked".	Enter the correct phone lock code.
Your phone displays "Enter PUK:".	Contact your service provider for the PUK code.
You cannot make a cal.	<ul style="list-style-type: none">┆ The phone number is correct.┆ You are in the network service area.┆ You do not enable the call restriction function.

Problem	To Make Sure...
Bad call quality.	<ul style="list-style-type: none"> The signal strength is strong enough. If you are stay indoors, move near to a window.
During a call, the other side cannot hear your voice.	<ul style="list-style-type: none"> The microphone is not covered. You do not mute the microphone.
Your phone does not play the ring tone or vibrate.	You have set your phone to the silence mode.
The earpiece volume is too low	Adjust the earpiece volume.
The signal strength is not strong enough or your phone is often off line.	<ul style="list-style-type: none"> The antenna is in good condition. Move near to a place with strong signal.
Your phone displays "No service found", "Service unavailable" or "Network problem".	<ul style="list-style-type: none"> You are not in an area with weak magnetic field (in a tunnel or surrounded by buildings). If so, move to another area and try again. Do not visit the service option without authorization from your service provider.

12 Warnings and Precautions

Electronic Device

Turn off your phone near high-precision electronic devices. The phone may affect the performance of these devices. Such devices include hearing aids, pacemakers, fire alarm systems, automatic gates, and other automatic-control devices. If you are using an electronic medical device, consult the device manufacturer to confirm whether the radio wave affects the operation of this device.

Hospital

Pay attention to the following points in hospitals or health care facilities:

- l Do not take your phone into the operating room (OR), intensive care unit (ICU), or coronary care unit (CCU).
- l Do not use your phone at places for medical treatment where phone use is prohibited.
- l When using your phone near someone who is suffering from a heart disease, turn down the ring tone volume or vibration properly so that it does not affect the person.

Area with Inflammables and Explosives

In any area with inflammables and explosives, turn off your phone and do not take out, install or charge the battery to avoid explosion and fire. Areas with

inflammables and explosives include, but are not limited to:

- | Gas station
- | Area for storing fuels (such as the bunk under the deck of a ship)
- | Device/Vehicle for transporting and storing fuels or chemical products
- | Area with chemical substances and particles (such as: granule, dust, metal powder) in the air
- | Area with the sign of "Explosives"
- | Area with the sign of "Turn off bi-direction wireless equipment"
- | Area where it is generally suggested to stop the engine or a vehicle

Traffic Safety

- | Please observe local laws and regulations on phone use. Do not use your phone while driving to avoid traffic accident.
- | Secure the phone on its holder. Do not place the phone on the seat or other places where it can get loose in a sudden stop or collision.
- | Use the phone after the vehicle stops at a safe place.
- | If your phone supports the hands-free function, or the phone can be used with earphones, or there is any vehicle-mounted equipment with hands-free function, use them in emergency.

- 1 Do not place the phone over the air bag or in the air bag outspread area. Otherwise, the phone may hurt you owing to the strong force when the air bag inflates.
- 1 Observe the rules and regulations of airline companies. When boarding or approaching a plane, turn off the phone and take out the battery. In areas where phone use is prohibited, turn off the phone. Otherwise, the radio signal of the phone may disturb the plane control signals. Turn off your phone before boarding an aircraft.

Storage Environment

- 1 Do not place magnetic storage media such as magnetic cards and floppy disks near the phone. Radiation from the phone may erase the information stored on them.
- 1 Do not put your phone, battery, or other accessories in containers with strong magnetic field, such as an induction cooker and a microwave oven. Otherwise, circuit failure, fire, or explosion may occur.
- 1 Do not leave your phone, battery, or charger in a very hot or cold place. Otherwise, malfunction of the products, fire, or explosion may occur.
- 1 Do not place sharp metal objects such as pins near the earpiece. The earpiece may attract these objects and hurt you when you are using the phone.

-
- 1 Do not subject your phone, battery, and charger to serious collision or shock. Otherwise, battery leakage, phone malfunction, overheat, fire, or explosion may occur.
 - 1 Do not put your phone in the back pocket of your trousers or skirt to avoid phone damage while seated.

Children Safety

- 1 Put your phone, battery, and charger in places beyond the reach of children. Do not allow children to use the phone, battery, or charger without guidance.
- 1 Do not allow children to put the battery in mouth, for electrolyte in the battery is poisonous.
- 1 Do not allow children to touch the small fittings. Otherwise, suffocation or gullet jam can be caused if children swallow the small fittings.

Operating Environment

- 1 The phone, battery, and charger are not water-resistant. Keep them dry. Protect the phone, battery and charge from water or vapor. Do not touch the phone with a wet hand. Otherwise, short-circuit and malfunction of the product or electric shock may occur.
- 1 Do not use the phone in dusty, damp and dirty places or places with magnetic field. Otherwise, malfunction of the circuit may occur.
- 1 Do not turn on or off the phone when it is near your ears to avoid negative impact on your health.

- l When carrying or using the phone, keep the antenna at least one inch (2.5 centimeters) away from your body, to avoid negative impact on your health caused by radio frequency leakage.
- l If you feel uncomfortable (such as falling sick or qualm) after playing games on your phone for a long time, please go to see a doctor immediately.
- l On a thunder stormy day, do not use your phone outdoors or when it is being charged.
- l Do not touch the antenna when a call is going on. Touching the antenna may affect call quality and cause the phone to operate with more power. As a result, the talk time and standby time are shortened.
- l The phone may interfere with nearby TV sets, radios and PCs.
- l In accordance with international standards for radio frequency and radiation, use phone accessories approved by the manufacturer only.

Cleaning and Maintenance

- l Before you clean or maintain the phone, turn off the phone and disconnect it from the charger. Otherwise, electric shock or short-circuit of the battery or charger may occur.

-
- l Do not use any chemical detergent, powder, or other chemical agent (such as alcohol and benzene) to clean the phone and the charge. Otherwise, part damage or a fire can be caused. You can clean the phone and the charger with a piece of soft antistatic cloth that is a little wet.
 - l Do not scratch the shell of the phone. Otherwise, the shed coating may cause skin allergy. Once it happens, stop using the phone at once and go to see a doctor.
 - l Keep the plug dry when you clean it, to prevent fire.
 - l If the phone or any of its fittings does not work, turn to the local authorize service center for help.

Environmental Protection

Please observe the local regulations regarding the disposal of your packaging materials, exhausted battery and old phone and please promote their recycling. Do not dispose of exhausted battery or old phone in municipal waste or fire. Otherwise, explosion may occur.

Emergency Call

You can use your phone for emergency calls. However, connections in all conditions cannot be guaranteed. You should never rely solely on the phone for essential communications.

Battery

- l Use the battery approved by the manufacturer only. Otherwise, explosion may occur.

- 1 Do not dispose of the battery in fire. Otherwise, the battery may ignite or explode.
- 1 Do not connect two poles of the battery with conductors such as cables, jewelries or any other metal material. Otherwise, the battery is short-circuited and it may burn your body.
- 1 Do not disassemble the battery or solder the battery poles. Otherwise fluid leakage, overheat, fire, or explosion may occur.
- 1 If there is battery leakage, smoke, or strange smell, stop using the battery and keep it away from open flame to avoid fire or explosion. Then turn to an authorized maintenance engineer for help.
- 1 If the battery fluid contacts your skin or cloth, wash with clean water immediately to avoid irritation to the skin.
- 1 If the battery fluid gets into eyes, do not rub your eyes. Otherwise, your eyes can be hurt. Wash with clean water and go to see a doctor immediately.
- 1 If there is battery deformation, color change or abnormal heating while you charge or store the battery, take it out immediately and stop using it. Otherwise, battery leakage, overheat, explosion, or fire may occur.
- 1 When installing the battery, do not push the battery by force lest battery fluid leak out or the battery crack.
- 1 Do not take out the battery when the phone is turned on.

-
- 1 If you do not use the battery for a long time, store it in normal temperature after charging.

Charger

- 1 Use the charger approved by the phone manufacturer only. Any violation of this rule may result in fire or malfunction of the charger.
- 1 Do not short-circuit the charger. Short-circuiting the charger may cause fire or malfunction of the charger.
- 1 If the power cord is damaged (for example, the lead is exposed or broken), or the plug becomes loose, stop using the cable at once. Otherwise, electric shock, short-circuit of the charger, or fire may occur.
- 1 Keep the charger dry. Once water or other liquid leaks into the charger, electrical leakage or other faults may occur.
- 1 Do not use the charger in a dusty and damp environment. Keep the power cord away from any heating appliance.
- 1 Ensure the charger is properly plugged into the power socket properly when charging the battery. Improper insertion may result in electric shock, fire, or explosion. To unplug the charger, pull the plug off rather than tear the power cord.
- 1 Use the AC power supply defined in the specifications of the charger. An improper power voltage can cause fire or malfunction of the charger.

- 1 Do not place any heavy object on the power cord of the charger. Do not damage, change, or pluck the power cord. Otherwise electric shock or fire may occur.
- 1 When you are charging the battery with the charger, do not touch the plug, power cord or the charger with a wet hand. Otherwise, electric shock can be caused.
- 1 Once the liquid such as water leaks into the charger, remove the plug of the charger from the socket immediately. Otherwise, overheating, fire and other malfunction may occur.

Certification Information (SAR)

THIS DEVICE MEETS THE GOVERNMENT'S REQUIREMENTS FOR EXPOSURE TO RADIO FREQUENCY ELECTROMAGNETIC FIELD.

Your mobile phone is a low-power radio transmitter and receiver. When it is powered on, it emits low levels of radio frequency energy (also known as radio waves or radio frequency fields).

Governments around the world have adopted comprehensive international safety guidelines, developed by scientific organizations, e.g. ICNIRP (International Commission on Non-Ionizing Radiation Protection) and IEEE (Institute of Electrical and Electronics Engineers Inc.), through periodic and thorough evaluation of scientific studies. These guidelines establish permitted levels of radio wave exposure for the general population.

The levels include a safety margin designed to assure the

safety of all persons, regardless of age and health, and to account for any variations in measurements.

Specific Absorption Rate (SAR) is the unit of measurement for the amount of radio frequency energy absorbed by the body when using a mobile phone. The SAR value is determined at the highest certified power level in laboratory conditions, but the actual SAR level of the mobile phone while operating can be well below the value. This is because the mobile phone is designed to use the minimum power required to reach the network.

All models of Huawei's mobile phone are designed to meet radio frequency exposure guidelines. Before a phone model is available for sale to the public, it must be tested and certified to the FCC that it does not exceed the limit established by the government-adopted requirement for safe exposure. The tests are performed in positions and locations (that is, at the ear and worn on the body) as required by the FCC for each model.

For body worn operation, this phone has been tested and meets FCC RF exposure guidelines when the handset is positioned a minimum of 15 mm from the body with an accessory that contains no metal part. Use of other accessories may not ensure compliance with FCC RF exposure guidelines.

The SAR limit adopted by the USA and Canada is 1.6 watts/kilogram (W/kg) averaged over one gram of tissue.

The highest SAR value reported to the FCC and IC for this device type when tested for use at the ear is 1.18W/kg, and when properly worn on the body is 0.620 W/kg.

Ver: V1.10 BOM:
31016264