

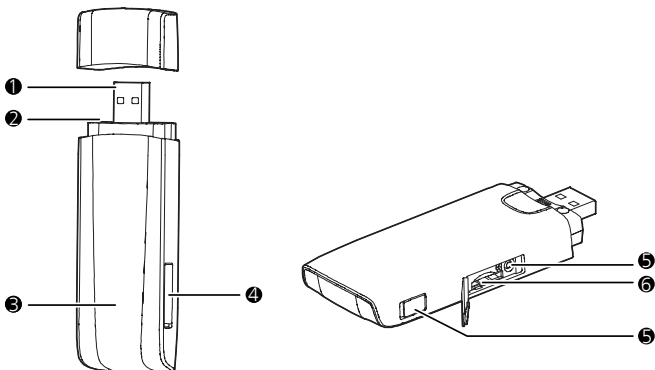
# Thank you for choosing the Mobile Broadband USB Stick. With your USB Stick, you can access a wireless network at high speed.

## Note:

This manual describes the appearance of the USB Stick, as well as the procedures for preparation, installation, and removal. For operation details about the management program, see the online help included in the management program.

## Getting to Know Your USB Stick

The following figure shows the appearance of the USB Stick. It is provided only for your reference. The actual product may be different.

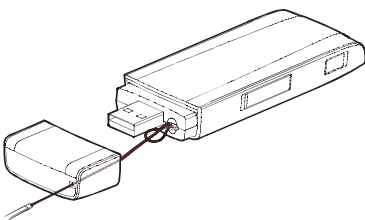


### 1 USB Connector

It connects the USB Stick to a PC.

### 2 Strap Hole

You can tie the cap and the USB Stick together by threading a strap through the strap holes, so that the cap will not be easily lost.



### 3 Indicator

It indicates the status of the USB Stick.

- Green, blinking twice every 2s: The USB Stick is powered on.
- Green, blinking once every 0.2s: The software of the USB Stick is being upgraded.
- Green, blinking once every 2s: The USB Stick is registering with a 2G network.
- Blue, blinking once every 2s: The USB Stick is registering with a 3G/3G+ network.
- Green, solid: The USB Stick is connected to a 2G network.
- Blue, solid: The USB Stick is connected to a 3G network.
- Cyan, solid: The USB Stick is connected to a 3G+/LTE network.
- Off: The USB Stick is removed.

### 4 SIM/USIM Card Slot

It holds a Subscriber Identity Module (SIM)/Universal Subscriber Identity Module (USIM) card.

### 5 RF Output Power Port

It connects an RF cable to the USB Stick for RF tests.

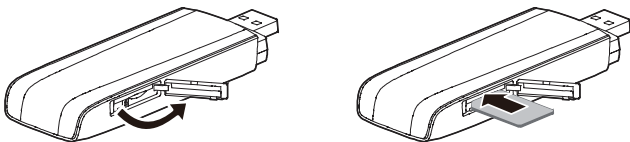
### 6 MicroSD Card Slot

It holds a microSD card.

## Getting Your USB Stick Ready

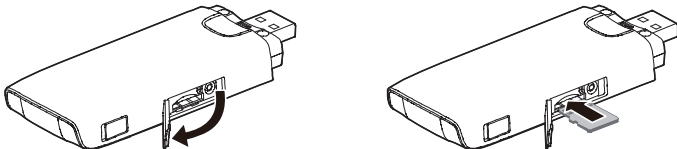
### Installing the SIM/USIM Card

Insert the SIM/USIM card into the USB Stick, as shown in the following figure.



### Inserting the MicroSD Card

Insert the microSD card into the USB Stick, as shown in the following figure.



## Note:

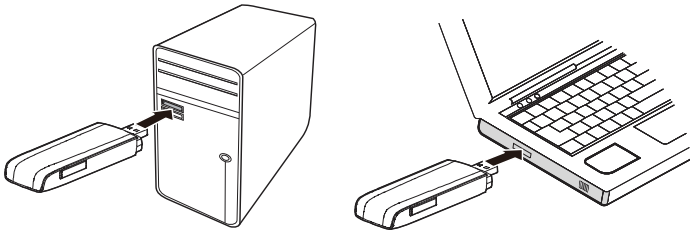
- The microSD card is an optional accessory. If it is not provided in the package, you can buy one yourself.
- Ensure that the beveled edge of the SIM/USIM card is properly aligned with that of the SIM/USIM card slot and the microSD card is inserted according to the direction as labeled on the microSD card slot.
- Do not remove the microSD or SIM/USIM card when the card is in use. Otherwise, the card as well as your USB Stick may get damaged and the data stored on the card may be corrupted.

## Installation/Removal Guide

The procedure for installing the management program depends on the operating system (OS) installed on your PC. The following sections take Windows XP as an example.

### Connecting the USB Stick to a PC

Plug the USB Stick into the USB port of your PC.



### Installing the USB Stick Management Program

1. Connect the USB Stick with the PC.
2. The OS automatically detects and recognizes the new hardware and starts the installation wizard.

**Note:**

If the auto-run program does not respond, find the AutoRun.exe file in the driver path. Then double-click AutoRun.exe to run the program.


3. Follow the on-screen instructions of the installation wizard.
4. After the program is installed, a shortcut icon for the management program appears on the desktop.

### Starting the Management Program

After being installed, the management program starts automatically. Then every time the USB Stick is connected to the PC, the management program starts automatically.

You can also double-click the shortcut icon on the desktop to start the management program.

### Removing the USB Stick

1. Double-click  in the notification area. Then the **Unplug or Eject Hardware** dialog box appears.
2. Select the corresponding hardware and then click **Stop**.
3. When the message "**It is safe to remove the device**" appears, remove the USB Stick.

### Uninstalling the Management Program

1. Choose **Start > Control Panel > Add or Remove Programs**.
2. Find the management program and click **Remove** to uninstall the management program.

**Note:**

Exit the management program before uninstalling it.