

# HUAWEI E5 10 HSPA/DVB-T USB Modem

Quick Start

**Copyright © 2008 Huawei Technologies Co., Ltd.**

## **All Rights Reserved**

No part of this document may be reproduced or transmitted in any form or by any means without prior written consent of Huawei Technologies Co., Ltd.

## **Trademarks and Permissions**



**HUAWEI** and other Huawei trademarks are trademarks of Huawei Technologies Co., Ltd.

All other trademarks and trade names mentioned in this document are the property of their respective holders.

## **Notice**

The information in this document is subject to change without notice. Every effort has been made in the preparation of this document to ensure accuracy of the contents, but all statements, information, and recommendations in this document do not constitute the warranty of any kind, express or implied.

# Table of Contents

Getting to Know the E510.....	1
Requirements for the PC.....	4
Preparing the E510.....	5
Installation Guide .....	7
Safety Information.....	9

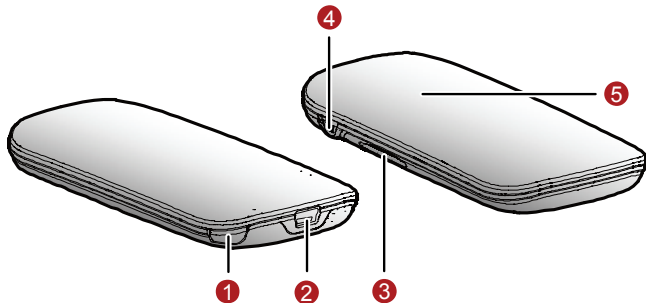
## Thank you for purchasing Huawei E510 HSPA/DVB-T USB Modem.

### Note:

- This manual briefly the preparation, the process for installing/uninstalling, and safety precautions for using Huawei E510 HSPA/DVB-T USB Modem (hereinafter referred to as the E510).
- You are recommended to read the manual before using the E510.

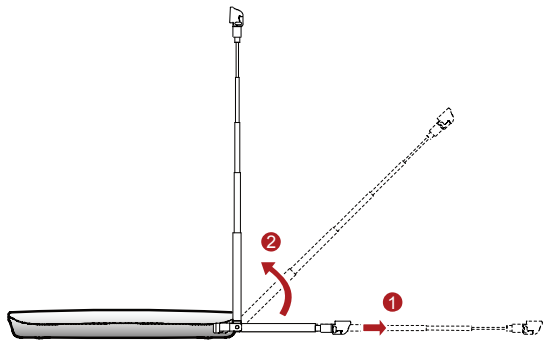
## Getting to Know the E510

The following figures show the appearance of the E510. The actual product may differ.



## 1 Internal Antenna

You can pull out the internal antenna as shown in the following figure. To receive stronger signals, you can adjust the direction of the internal antenna.



## 2 Mini-USB interface

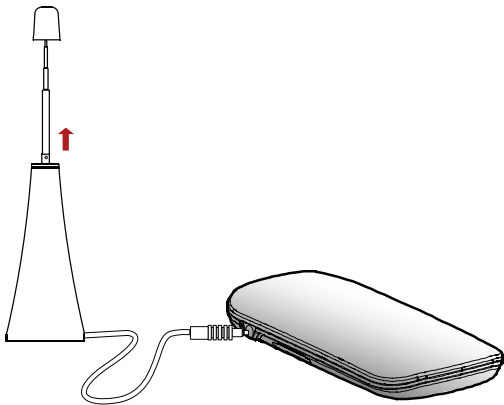
You can connect the mini-USB connector of the USB extension cable to the mini-USB interface.

## 3 USIM/SIM card slot

Holds the USIM/SIM card.

## 4 External antenna interface

Connects an external antenna. You can pull out the external antenna as shown in the following figure. To receive stronger signals, you can adjust the direction of the rotatable external antenna.



### Note:

- The internal and the external antennas cannot be used at the same time. When the external antenna is connected to the E510, you are not recommended to pull out the internal antenna.
- It is recommended to use the external antenna at the site with weak signals.
- When you want to watch TV programs of VHF, the external antenna should be connected to the E510.

## 5 Indicator

Indicates the status of the E510.

- Green, blinking twice every 3s: The E510 is powered on.
- Green, blinking once every 3s: The E510 is registered to the GSM/GPRS/EDGE network.
- Blue, blinking once every 3s: The E510 is registered to the WCDMA/HSDPA/HSUPA network.
- Green, always on: The GPRS/EDGE connection is set up.
- Blue, always on: The WCDMA connection is set up.
- Cyan, always on: The HSDPA/HSUPA connection is set up.
- Off: The E510 is removed from the PC.

## Requirements for the PC

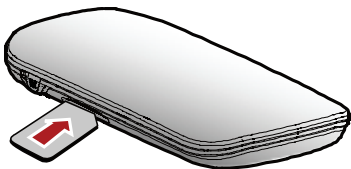
To use the E510, the PC must meet the following requirements:

- Windows 2000 SP4, Windows XP SP2, Windows Vista
- DirectX 9.0C or above
- Windows Media Player 9 or above
- Intel Pentium 4 2.0 GHz CPU or above
- 200 MB free disk space for software installation (2.5 GB free disk space is required for running time-shifting recording function)
- 256 MB RAM (512 MB DDR RAM recommended, 1 GB DDR RAM recommended for Windows Vista)
- 16-bit color display at 800 x 600 (32 MB video memory with supporting DirectX 3D recommended)
- Standard USB 2.0 interface

## Preparing the E510

### Install the USIM/SIM card

Insert the USIM/SIM card into the card slot. Make sure that the USIM/SIM card is properly inserted.



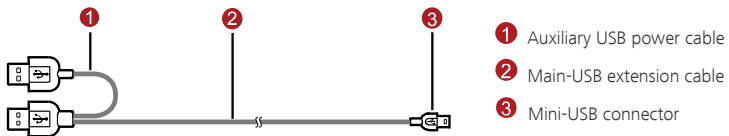
### Connecting the E510 with a PC

**Note:** Power on your PC before connecting the E510 with the PC. Otherwise, the normal installation of the E510 may be affected.

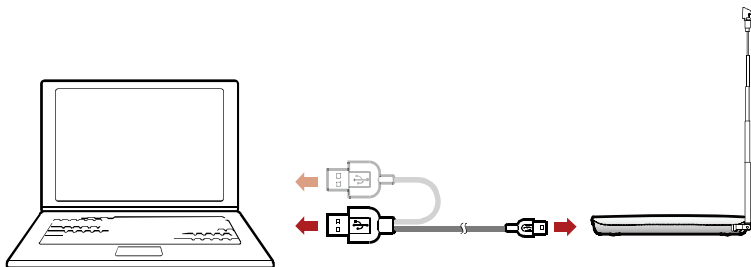
The following figure is sketches of the USB extension cables.







1. Connect the Mini-USB connector to the E510.
2. Connect the USB connector(s) to the USB interface(s) of the PC.



**Note:** When you enjoy the data service and the TV service simultaneously, connect the USB extension cable with two USB connectors to the PC, for sufficient power.

## Installation Guide

The procedure for installing the management program depends on the operating system installed on your PC. The following section takes Windows XP as an example.

### Installing the E510

1. Connect the E510 and the PC with the USB cable.
2. The OS automatically detects and recognizes new hardware and starts the installation wizard. If the auto-run program does not respond, find the **AutoRun.exe** file in the driver path. Then double-click **AutoRun.exe** to run the program.
3. Follow the prompts of the installation wizard.
4. When the main management program is installed, the system automatically runs the TV Player setup.
5. Follow the prompts to install the TV Player.

**Note:** Click **Cancel** to stop the installation of the TV Player, and the main management responds normally. Then, you can click the **TV** icon on the interface of the management program to install it.

### Launching the Management Program

After the E510 is installed, the management program is launched automatically. Then every time the E510 is connected to the PC, the management program is launched automatically.

You can also double-click the shortcut icon on the desktop to launch the management program.


To enjoy the TV service, you can click the **TV** icon on the interface of the management program to open the TV Player.

## Uninstalling the Management Program

1. Choose **Start > Control Panel**.
2. Find the management program, and click **Add/Remove Program** to uninstall the management program.

**Note:** It is recommended to restart the PC after the uninstallation to ensure that the management program is completely uninstalled.

## Removing the E510

1. Double-click  in the system tray. The **Unplug or Eject Hardware** interface is displayed.
2. Select the hardware related to the E510 and click **Stop**.
3. When the prompt "It is safe to remove the device" is displayed, remove the E510.

**Note:** Before removing the E510, exit the management program.

## Safety Information

Read the safety information carefully to ensure the correct and safe use of your wireless device.

### Interference

Do not use your wireless device if using the device is prohibited or when it causes danger or interference with electric devices.

### Medical Device

- Do not use your wireless device and follow the rules and regulations set forth by the hospitals and health care facilities.
- Some wireless devices may affect the performance of the hearing aids. For any such problems, consult your service provider.
- If you are using an electronic medical device, consult the doctor or device manufacturer to confirm whether the radio wave affects the operation of this device.

### Area with Inflammables and Explosives

To prevent explosions and fires in areas that are stored with inflammable and explosive devices, do not use your wireless device and observe the rules. Areas stored with inflammables and explosives include but are not limited to the following:

- Gas station
- Fuel depot (such as the bunk below the deck of a ship)
- Container/Vehicle for storing or transporting fuels or chemical products
- Area where the air contains chemical substances and particles (such as granule, dust, or metal powder)
- Area indicated with the "Explosives" sign

- Area indicated with the "Power off bi-direction wireless equipment" sign
- Area where you are generally suggested to stop the engine of a vehicle

## Traffic Security

- Observe local laws and regulations while using the wireless device. To prevent accidents, do not use your wireless device while driving.
- RF signals may affect electronic systems of motor vehicles. For more information, consult the vehicle manufacturer.
- In a motor vehicle, do not place the wireless device over the air bag or in the air bag deployment area. Otherwise, the wireless device may hurt you owing to the strong force when the air bag inflates.
- Observe the rules and regulations of airline companies. When boarding, switch off your wireless device. Otherwise, the radio signals of the wireless device may interfere with the plane control signals.

## Safety of Children

Do not allow children to use the wireless device without guidance. Small and sharp components of the wireless device may cause danger to children or cause suffocation if children swallow the components.

## Environment Protection

Observe the local regulations regarding the disposal of your packaging materials, used wireless device and accessories, and promote their recycling.

## WEEE Approval

The wireless device is in compliance with the essential requirements and other relevant provisions of the Waste Electrical and Electronic Equipment Directive 2002/96/EC (WEEE Directive).

## RoHS Approval

The wireless device is in compliance with the restriction of the use of certain hazardous substances in electrical and electronic equipment Directive 2002/95/EC (RoHS Directive).

## Laws and Regulations Observance

Observe laws and regulations when using your wireless device. Respect the privacy and legal rights of the others.

## Care and Maintenance

It is normal that your wireless device gets hot when you use or charge it. Before you clean or maintain the wireless device, stop all applications and disconnect the wireless device from your PC.

- Use your wireless device and accessories with care and in clean environment. Keep the wireless device from a fire or a lit cigarette.
- Protect your wireless device and accessories from water and vapor and keep them dry.
- Do not drop, throw or bend your wireless device.
- Clean your wireless device with a piece of damp and soft antistatic cloth. Do not use any chemical agents (such as alcohol and benzene), chemical detergent, or powder to clean it.
- Do not leave your wireless device and accessories in a place with a considerably low or high temperature.
- Use only accessories of the wireless device approved by the manufacture. Contact the authorized service center for any abnormality of the wireless device or accessories.
- Do not dismantle the wireless device or accessories. Otherwise, the wireless device and accessories are not covered by the warranty.

## Emergency Call

This wireless device functions through receiving and transmitting radio signals. Therefore, the connection cannot be guaranteed in all conditions. In an emergency, you should not rely solely on the wireless device for essential communications.

## **Federal Communication Commission Interference Statement**

This equipment has been tested and found to comply with the limits for a Class B digital device, pursuant to Part 15 of the FCC Rules. These limits are designed to provide reasonable protection against harmful interference in a residential installation. This equipment generates, uses and can radiate radio frequency energy and, if not installed and used in accordance with the instructions, may cause harmful interference to radio communications. However, there is no guarantee that interference will not occur in a particular installation. If this equipment does cause harmful interference to radio or television reception, which can be determined by turning the equipment off and on, the user is encouraged to try to correct the interference by one of the following measures:

- Reorient or relocate the receiving antenna.

- Increase the separation between the equipment and receiver.

- Connect the equipment into an outlet on a circuit different from that to which the receiver is connected.

- Consult the dealer or an experienced radio/TV technician for help.

FCC Caution: Any changes or modifications not expressly approved by the party responsible for compliance could void the user's authority to operate this equipment.

This device complies with Part 15 of the FCC Rules. Operation is subject to the following two conditions: (1) This device may not cause harmful interference, and (2) this device must accept any interference received, including interference that may cause undesired operation.

### **IMPORTANT NOTE:**

#### **Radiation Exposure Statement:**

This equipment complies with FCC radiation exposure limits set forth for an uncontrolled environment. This equipment should be installed and operated with minimum distance 20cm between the radiator & your body.

This transmitter must not be co-located or operating in conjunction with any other antenna or transmitter.

The availability of some specific channels and/or operational frequency bands are country dependent and are firmware programmed at the factory to match the intended destination. The firmware setting is not accessible by the end user.



Huawei Technologies Co., Ltd.

Huawei Industrial Base, Bantian, Longgang  
Shenzhen 518129  
People's Republic of China  
Website: [www.huawei.com](http://www.huawei.com)