

CPE eA380

Quick Installation Guide

HUAWEI TECHNOLOGIES CO., LTD.



Install the CPE eA380 (Mounting on a Utility Pole)

① Insert the SIM card.

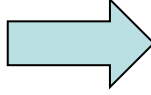
1-a Loosen the screws on the SIM card cover.

1-b Open the SIM card cover.

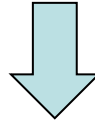
1-c Insert the SIM card.

1-d Close the SIM card cover and fasten the screws.

Note: When fastening the SIM card cover, press the rubber washer into the slot to avoid that it is exposed.



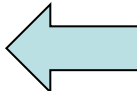
② Insert the two hose clamps into the sheet-metal mounting bracket.



③ Install the hose clamps on the utility pole and adjust the length of the hose and fix it.



④ The installation is complete.



3-a Loosen the bolt of hose clamps.

3-b Adjust the length of the hose clamps.

3-c Fasten the bolt of hose clamps to fix the length of the hose clamp.

3-d Use the M6 hex key to tighten the bolt and fix the hose clamps completely.

Install the CPE eA380 (Mounting on the Wall)

① Insert the SIM card.

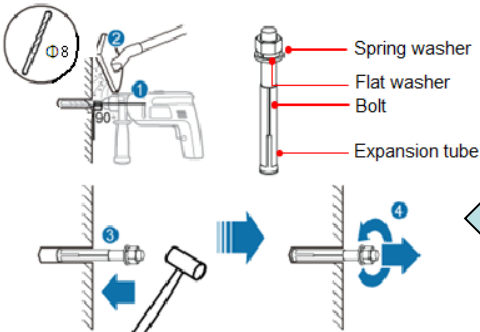
- 1-a Loosen the screws on the SIM card cover.
- 1-b Open the SIM card cover.
- 1-c Insert the SIM card.
- 1-d Close the SIM card cover and fasten the screws.

Note: When fastening the SIM card cover, press the rubber washer into the slot to avoid that it is exposed.

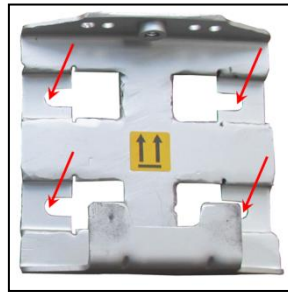
② Remove the sheet-metal mounting Bracket and install the wall mounting frame.



④ Install the expansion bolt.



③ Mark the fixing points.



⑤ Fix the wall-mounting frame to the wall.



⑥ Fix the eA380 on the wall-mounting frame.



Huawei Technologies Co., Ltd.

Huawei Industrial Base Bantian, Longgang

Shenzhen 518129

People's Republic of China

Website: <http://www.huawei.com>

Email: support_e@huawei.com

Customer Service Tel: 4008229999

Issue: 01

Part number: 31010WQX

Install the Cables of CPE eA380

Install the POE Network Cable



Make the POE Network Cable

① Strip the cable



② Strip the PET



③ Cut the unnecessary rip-cord



④ Distribute the wires



⑤ Assemble the ferrules and cut the surplus cables



⑥ Insert the network cable into the crystal connector. Use the crimping tool to press the crystal connector



Notice: Donot press the outer-jacket into the crystal connector.

For more details, please refer to “eA380 Series CPE User Guide”.

You can download the eA380 Series CPE User Guide in the following path of <http://support.huawei.com/enterprise> :

Product Support > Enterprise Wireless > eLTE Broadband > eLTE Broadband Terminal.

Safety Information

■ Following All Safety Precautions

Before any operation, read the instructions and precautions in this document carefully to minimize the possibility of accidents. The Danger, Caution, and Note items in the documents do not cover all the safety precautions that must be followed. They only provide the generic safety precautions for operations.

When operating Huawei products and equipment, you must comply with safety precautions and special safety instructions related to the equipment provided by Huawei. The safety precautions in the document are related to only Huawei products. Huawei is not liable for any consequence that results from the violation of universal regulations for safety operations and safety codes on design, production, and equipment use.

■ Complying with the Local Safety Regulations

When operating the device, comply with the local safety regulations.

■ Qualified Personnel Only

The installation and maintenance personnel of Huawei equipment must be trained and master the correct operating methods and safety precautions before beginning work.

■ Safety of Personnel

- The AC power supply provides power for running the system. Direct contact with the high voltage power supply or contact through damp objects may result in serious injury.
- In a thunderstorm, do not perform operations on high voltage and AC power supply facilities or on a steel tower and mast.
- Power off the device before performing operations on the power supply equipment.
- Protect yourself when drilling holes. Flying dust may hurt your eyes or you may inhale the dust.
- When working at a height, be cautious about falling objects.

■ Device Safety

- Leave space around the device for heat dissipation. Keep the device away from heat and fire, for example, electric heaters and candles.
- Do not disassemble the device. When the device has a fault, contact the operator.
- Ensure that the device is always kept in a dry environment. If any liquid leaks through the device, power off the device and contact the operator.
- If you detect smoke, unusual sound, or smell emanating from the device, unplug the device immediately.
- Power off the device during thunder and lightning.
- Do not hang anything on the power cable or plug. Do not cover the device.
- Before cleaning the device, unplug it. Use a soft, dry cloth to clean the device exterior.
- Ensure that the power plug is clean and dry. Do not use a damaged or aged power cable.
- Power on an CPE within 24 hours after unpacking it. If you power off an CPE for maintenance, restore power to the CPE within 24 hours.
- To avoid direct lightning, CPE must be installed in the protection angle of 45 degrees below a separate lightning rod, or protection angle of 45 degrees below a surrounding high-rise building.

■ Environmental protection

This product complies with the design requirements for environmental protection. The storage, use, and placement of the product must follow national laws and regulations.

■ Privacy Policy

To better understand how we protect your personal information, please see the privacy policy at <http://consumer.huawei.com/privacy-policy>.