

DAU eA680

# Quick Installation Guide

HUAWEI TECHNOLOGIES CO., LTD.



# Install the DAU eA680 (Mounting on a Utility Pole)

① Insert the SIM card



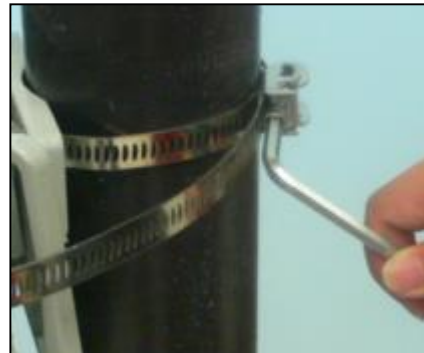
② Insert the hose clamp to the mounting frame



④ (Optional) Install the angle adjusting component on the mounting frame and adjust the angle



③ Install the hose clamp on the utility pole and adjust the length of the hose and fix it



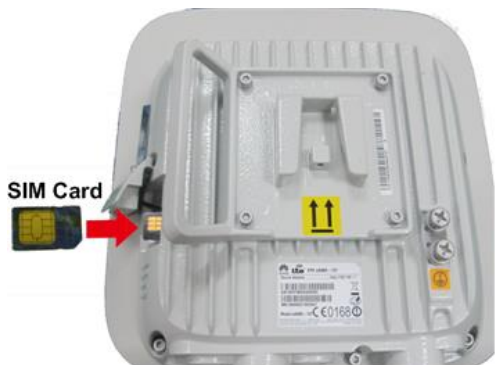
⑤ Install the DAU on the mounting frame



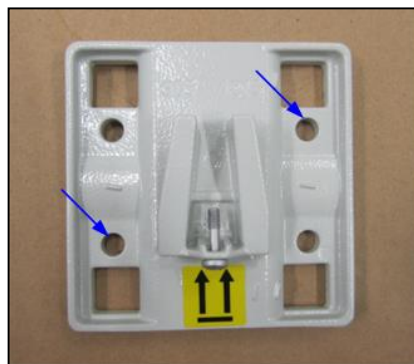
3-a Loosen the bolt of hose clamp.  
3-b Adjust the length of the hose clamp.  
3-c Fasten the bolt of hose clamps to fix the length of the hose clamp.  
3-d Use the M6 hex key to tighten the bolt and fix the hose clamp completely.

# Install the DAU eA680 (Mounting on the Wall)

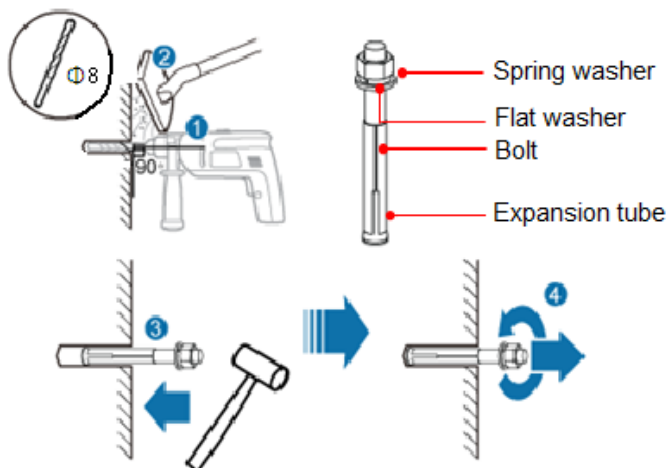
## ① Insert the SIM card



## ② Marking the fixing points



## ③ Installing the expansion bolt



## ⑤ Fix the DAU on the wall-mounting frame.



## ④ Fix the wall-mounting frame to the wall.



**Huawei Technologies Co., Ltd.**

Huawei Industrial Base Bantian, Longgang

Shenzhen 518129

People's Republic of China

Website: <http://www.huawei.com>

Email: [support@huawei.com](mailto:support@huawei.com)

Customer Service Tel: 4008302118

Issue: 01

Part number: 31010WRH

## Install the Cables of DAU eA680

### ① Installing the PGND Cable



### ② Install the POE Network Cable



### Make the POE Network Cable

#### ① Strip the cable



#### ② Strip the PET



#### ③ Cut the unnecessary rip-cord



#### ④ Distribute the wires



#### ⑤ Assemble the ferrules and cut the surplus cables



#### ⑥ Insert the network cable into the crystal connector. Use the crimping tool to press the crystal connector



Notice: Donot press the outer-jacket into the crystal connector.

For more details, please refer to “eA680 Series LTE DAU User Guide”.

You can download the **eA680 Series LTE DAU User Guide** in the following path of <http://support.huawei.com/enterprise> :

Support > Product Support > Enterprises Wireless > eLTE Broadband > eLTE Broadband Terminal.

# Safety Information

## ■ Following All Safety Precautions

Before any operation, read the instructions and precautions in this document carefully to minimize the possibility of accidents. The Danger, Caution, and Note items in the documents do not cover all the safety precautions that must be followed. They only provide the generic safety precautions for operations.

When operating Huawei products and equipment, you must comply with safety precautions and special safety instructions related to the equipment provided by Huawei. The safety precautions in the document are related to only Huawei products. Huawei is not liable for any consequence that results from the violation of universal regulations for safety operations and safety codes on design, production, and equipment use.

## ■ Complying with the Local Safety Regulations

When operating the device, comply with the local safety regulations.

## ■ Qualified Personnel Only

The installation and maintenance personnel of Huawei equipment must be trained and master the correct operating methods and safety precautions before beginning work.

## ■ Safety of Personnel

- The AC power supply provides power for running the system. Direct contact with the high voltage power supply or contact through damp objects may result in serious injury.
- In a thunderstorm, do not perform operations on high voltage and AC power supply facilities or on a steel tower and mast.
- Power off the device before performing operations on the power supply equipment.
- Protect yourself when drilling holes. Flying dust may hurt your eyes or you may inhale the dust.
- When working at a height, be cautious about falling objects.

## ■ Device Safety

- Leave space around the device for heat dissipation. Keep the device away from heat and fire, for example, electric heaters and candles.
- Do not disassemble the device. When the device has a fault, contact the operator.
- Ensure that the device is always kept in a dry environment. If any liquid leaks through the device, power off the device and contact the operator.
- If you detect smoke, unusual sound, or smell emanating from the device, unplug the device immediately.
- Power off the device during thunder and lightning.
- Do not hang anything on the power cable or plug. Do not cover the device.
- Before cleaning the device, unplug it. Use a soft, dry cloth to clean the device exterior.
- Ensure that the power plug is clean and dry. Do not use a damaged or aged power cable.
- Power on an DAU within 24 hours after unpacking it. If you power off an DAU for maintenance, restore power to the DAU within 24 hours.
- To avoid direct lightning, DAU must be installed in the protection angle of 45 degrees below a separate lightning rod, or protection angle of 45 degrees below a surrounding high-rise building.

## ■ Environmental protection

This product complies with the design requirements for environmental protection. The storage, use, and placement of the product must follow national laws and regulations.

## ■ Privacy Policy

To better understand how we protect your personal information, please see the privacy policy at <http://consumer.huawei.com/privacy-policy>.