

Wonderful Communication, Mobile Life.

Thank you for choosing **HUAWEI FT3310** Fixed Wireless Terminal.

HUAWEI FT3310 Fixed Wireless Terminal

User Guide


Copyright © Huawei Technologies Co., Ltd. 2009. All rights reserved.

No part of this document may be reproduced or transmitted in any form or by any means without prior written consent of Huawei Technologies Co., Ltd.

The product described in this manual may include copyrighted software of Huawei Technologies Co., Ltd and possible licensors. Customers shall not in any manner reproduce, distribute, modify, decompile, disassemble, decrypt, extract, reverse engineer, lease, assign, or sublicense the said software, unless such restrictions are prohibited by applicable laws or such actions are approved by respective copyright holders under licenses.

Trademarks and Permissions



HUAWEI, and  are trademarks or registered trademarks of Huawei Technologies Co., Ltd.

Other trademarks, product, service and company names mentioned are the property of their respective owners.

Notice

Some features of the product and its accessories described herein rely on the software installed, capacities and settings of local network, and may not be activated or may be limited by local network operators or network service providers, thus the descriptions herein may not exactly match the product or its accessories you purchase.

Huawei Technologies Co., Ltd reserves the right to change or modify any information or specifications contained in this manual without prior notice or obligation.

NO WARRANTY

THE CONTENTS OF THIS MANUAL ARE PROVIDED “AS IS”. EXCEPT AS REQUIRED BY APPLICABLE LAWS, NO WARRANTIES OF ANY KIND, EITHER EXPRESS OR IMPLIED, INCLUDING BUT NOT LIMITED TO, THE IMPLIED WARRANTIES OF MERCHANTABILITY AND FITNESS FOR A PARTICULAR PURPOSE, ARE MADE IN RELATION TO THE ACCURACY, RELIABILITY OR CONTENTS OF THIS MANUAL.

TO THE MAXIMUM EXTENT PERMITTED BY APPLICABLE LAW, IN NO CASE SHALL HUAWEI TECHNOLOGIES CO., LTD BE LIABLE FOR ANY SPECIAL, INCIDENTAL, INDIRECT, OR CONSEQUENTIAL DAMAGES, OR LOST PROFITS, BUSINESS, REVENUE, DATA, GOODWILL OR ANTICIPATED SAVINGS.

Import and Export Regulations

Customers shall comply with all applicable export or import laws and regulations and will obtain all necessary governmental permits and licenses in order to export, re-export or import the product mentioned in this manual including the software and technical data therein.

Table of Contents

1 Warnings and Precautions	1
2 Introduction	4
Packing List	4
Appearance of the FWT	5
3 Installation	8
Installing the SIM Card	8
Installing the Battery	8
Installing the Power Adapter	9
Connecting the FWT to a Telephone.....	9
Placing the FWT	10
4 Basic Operations	11
Booting the FWT	11
Making or Answering Calls.....	11
Adjusting the Voice Volume	11
Supplementary Services	12
Security	12
5 Troubleshooting.....	13

1

Warnings and Precautions

Basic Cautions

According to the packing list, check items in the package box to make sure that they are complete and undamaged.

Before installing and using the FWT, read the user guide carefully.

Electronic Device

Power off your FWT near high-precision electronic devices. The FWT may affect the performance of these devices.

Such devices include hearing aids, pacemakers, fire alarm systems, automatic gates, and other automatic-control devices. If you are using an electronic medical device, consult the device manufacturer and confirm whether the radio waves affect the operation of the electronic device.

Hospital

Pay attention to the following points in hospitals or health care facilities:

- Do not take your FWT into the Operating Room (OR), Intensive Care Unit (ICU), or Coronary Care Unit (CCU).
- Power off your FWT near medial devices.
- Observe any instructions wherever the use of wireless device is prohibited.

Traffic Safety

- Do not use your FWT while driving. Secure the FWT on its holder. Do not place the FWT on the seat or other places where it can get loose in a sudden stop or collision.
- Observe the rules and regulations of airline companies. Power off your FWT before boarding an aircraft.

Operating Environment

- Do not place magnetic storage media such as magnetic cards and floppy disks near the FWT. Radiation from the FWT may erase the information stored on them.
- Do not place or use the FWT, battery or power adapter near any heat sources such as fire or a heater; or places with flammable gases; or areas with electrical appliances that give out heat. Otherwise, it will cause fire, explosion and breakdown of the FWT.
- Place the FWT in a dry place. When using it, do not put a towel over the FWT, or put it in a box or a suitcase.

- Before cleaning the FWT, turn off the FWT. Then disconnect the power supply and take out the battery. Before moving the FWT, disconnect the power supply.
- Do not subject your FWT, battery, and power adapter to serious collision or shock. Otherwise, battery leakage, FWT malfunction, overheating, fire, or explosion may result.
- Do not place sharp metal objects such as pins near the earpiece. The earpiece may attract these objects and hurt you when you use the FWT.
- In lightning days, disconnect the power adapter from the external power supply and power off the FWT. In this case, do not touch the FWT and antenna.
- Put your FWT, battery, and power adapter in places beyond the reach of children. Do not allow children to use the FWT, battery, or power adapter without guidance.
- Do not touch the antenna when a call is going on. Touching the antenna may affect call quality and cause the FWT to operate at a power level higher than needed.
- The network signal condition will directly affect the quality and stability of a call. Consequently, you should place the FWT in a place where it can receive network signals well. Do not put the FWT in a building with an iron or metal roof. The distance between the FWT and other metal materials (such as metal brackets or metal doors and windows) should be greater than 25 cm and the distance between FWTs should be greater than 30 cm.
- Do not open the chassis in any case and the device should be maintained by a qualified maintenance department.
- Without permission, you are not allowed to modify the architecture and security design of the FWT. Otherwise, you bear any consequence resulted from the operation without permission.
- Your FWT is designed to conform to the authoritative international Radio Frequency (RF) specifications. Use FWT accessories approved by Huawei only.
- The antenna(s) used for this transmitter must be installed to provide a separation distance of at least 20cm from all persons.

Emergency Call

You can use your FWT for emergency calls. However, connections in all conditions cannot be guaranteed. You should never rely solely on the FWT for essential communications.

Battery

- If the battery fluid gets into eyes, do not rub them. Wash with clean water and seek medical assistance immediately.
- If the battery fluid contacts skin or cloth, wash with clean water immediately to avoid irritation to the skin.
- Do not dispose of the battery in fire. Otherwise, the battery may ignite or explode.
- When installing the battery on your FWT, do not push the battery by force lest battery fluid leaks out or the battery cracks.

- Do not connect two poles of the battery with metallic materials, such as cables.
- Do not disassemble the battery or solder the battery poles. Otherwise fluid leakage, overheating, fire, or explosion may result.
- If there is battery leakage, smoke, or strange smell, stop using the battery and keep it away from open flame to avoid fire or explosion.
- Disconnect the power adapter and take out the battery when the FWT is not used for a long time.
- Do not select its self-contained complete battery and power adapter; otherwise, the FWT may be spoiled. Dispose of used batteries according to the instructions.
- Dispose of the battery according to local laws or regulations.

Power Adapter

- Use AC power as specified for the power adapter. Any violation of this rule may result in fire or malfunction of the power adapter.
- Do not short-circuit the power adapter. Short-circuiting the power adapter may cause fire or malfunction of the power adapter.
- Remove the dust on the power plug regularly.
- Do not use worn-out power cords. Otherwise, electric shock, short-circuiting of the power adapter or fire may result.
- Do not put the power adapter near the container filled with liquid, such as water. If the liquid comes into the power adapter, electrical leakage or other faults may result.
- If the liquid such as water comes into the power adapter accidentally, remove the plug of the power adapter from the socket immediately.
- Disconnect the power adapter from the socket before cleaning or maintaining it. Otherwise, electric shock or short-circuiting of the battery or power adapter may result.
- Ensure the plug of the power adapter is properly inserted into the power socket when charging the battery. Improper insertion may result in electric shock, fire, or explosion.
- Do not place any heavy object on the power cord of the power adapter. Do not damage, change, or pluck the power cord.

Environmental Protection

Please abide by the local laws in disposing of the package materials of your FWT, consumed batteries and used FWT, and try to recycle them.

Please observe the national local regulations in the location where product is to be used.

FCC Statement

- 15.19
- NOTICE:

- This device complies with Part 15 of the FCC Rules .Operation is subject to the following two conditions:
- (1) This device may not cause harmful interference, and 2) This device must accept any interference received, including interference that may cause undesired operation.
- 15.21
- NOTICE:
- Changes or modifications made to this device not expressly approved by Huawei Technologies Co., Ltd. may void the FCC authorization to operate this device.
- 15.105
- NOTE: This device has been tested and found to comply with the limits for a Class B digital device, pursuant to Part 15 of the FCC Rules. These limits are designed to provide reasonable protection against harmful interference in a residential installation. This device generates uses and can radiate radio frequency energy and, if not installed and used in accordance with the instructions, may cause harmful interference to radio communications. However, there is no guarantee that interference will not occur in a particular installation. If this device does cause harmful interference to radio or television reception, which can be determined by connecting or disconnecting the device to a PC, the user is encouraged to try to correct the interference by adopting one or more of the following measures:
- Reorient or relocate the receiving antenna.
- Increase the distance between the device and the receiver.
- Connect the device to an outlet on a circuit different from that to which the receiver is connected.
- Consult the dealer or an experienced radio or TV technician for help.
- FCC Caution: Any changes or modifications not expressly approved by the party responsible for compliance could void the user's authority to operate this device.

2 Introduction

Packing List

The Fixed Wireless Terminal (hereinafter referred to as the FWT) package box contains the following items. If any of the items is lost or damaged, contact your local dealer.

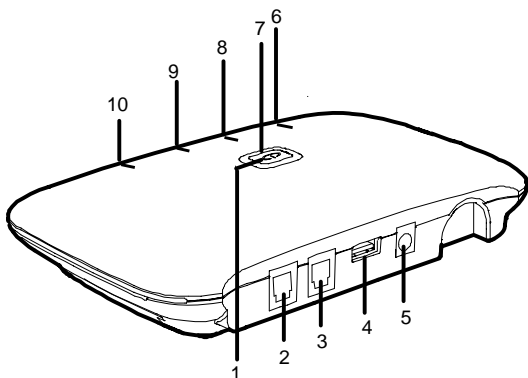
- Main unit
- Power adapter
- Battery
- Certificate of Quality
- User Guide

Appearance of the FWT

Note:

The figures are only for your reference, please refer color and shape to product.

Front View



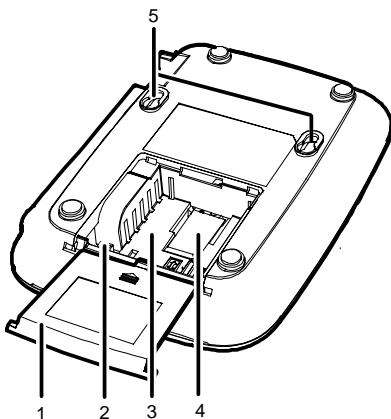
No.	Item
1	FWT switch
2	Telephone port 1
3	Telephone port 2
4	USB port
5	DC input
6	Operating status indicator
	Slow blinking in blue: The FWT is in work normally.

No.	Item
7	Power indicator In blue: The FWT is connected with the power adapter.
8	Battery indicator In red: The battery is fully electricity or fully charged. Fast blinking in red: The battery needs to be recharged. Slow blinking in red: The battery is being charged.
9	IN USE indicator In blue: The handset of the telephone is picked up.
10	Signal indicator In blue: The signal can be received.

Note:

If the signal indicator is blinking in blue, it indicates that the SIM card is not in place, the SIM card is faulty, the PIN code is locked, or the PIN/PUK code is not entered.

Rear View



No.	Item
1	Battery container cover

No.	Item
2	Battery port
3	Battery container
4	SIM card slot
5	Wall-mounting brackets

3 Installation

Note:

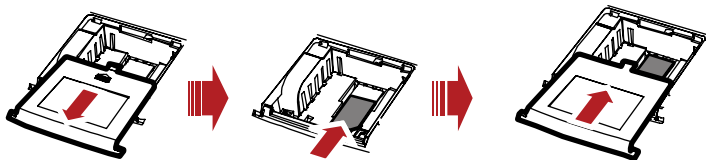
Before installing or removing the battery, antenna, or SIM card, you need to switch off the FWT and disconnect the FWT from the power adapter.

Installing the SIM Card

Note:

- Consult the local agent to determine whether to install the SIM card or not.
- The SIM card and contact point are vulnerable to damage such as scarring or bending, so you need to insert or remove it with care.

Insert the card into the card slot. Put the side with a corner cutting backwards and the side with a golden contact downwards. Make sure the card is completely inserted into the slot.

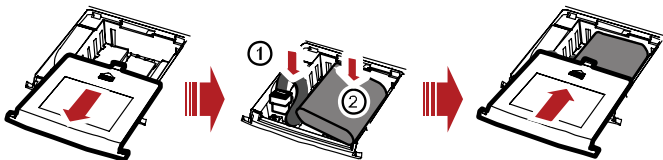


Installing the Battery

Note:

- When the ambient temperature exceeds the temperature allowed for charging, the system will stop charging the battery.
- When the power adapter is in use, the FWT will automatically charge the battery and stop charging when the battery is fully charged.
- Remove the battery if the FWT is left unused for a long period.
- If the battery has not been used for a long time or the battery is exhausted, the screen of the FWT may not function when you charge the battery again. This is normal. After the battery is being charged for a while, you can power on the FWT for use.

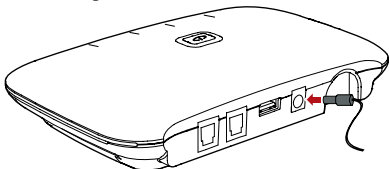
Insert the connection cable of the battery into the battery port (make sure the battery is correctly inserted), and then seat the battery in the battery container.



Installing the Power Adapter

In normal conditions, the FWT relies on the external power adapter for power supply.

1. Insert one end of the power adapter into the DC input port, and the other end into the power supply jack.
2. If the power indicator is in blue, the connection is correct.



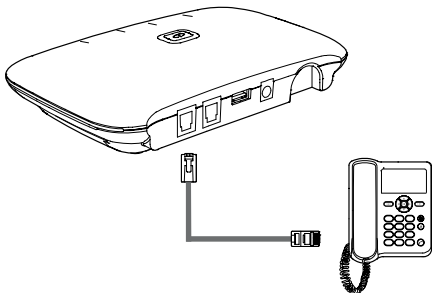
Use the battery only in the case that the electricity has failed or the external power adapter is unavailable. You must make sure that the battery has been fully charged before putting it into use.

Connecting the FWT to a Telephone

Note:

- Switch off the FWT and disconnect the power adapter.
- Use the cable provided by the manufacturer.
- To avoid the call effect from interfering by the wireless signal, place the telephone 1.5m away from the FWT

The FWT provides two telephone ports. They are in parallel connection and use the same number.



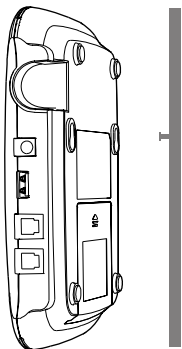
Placing the FWT

Horizontal Mounting

Place the FWT on a smooth surface with cool air and good ventilation. Keep the FWT away from other objects around for at least 10 cm.

Vertical Mounting

Fix wall screws into the wall with the screw heads extending approximately 3 mm from the surface of the wall, align the mounting brackets with the screws, push the host towards the wall, and mate the brackets with the screws, ensuring the host is stable.



4 Basic Operations

Booting the FWT

Press and hold the FWT switch to switch on/off the FWT.

The boot process of the FWT will last about 20 seconds. Then you can view the signal indicator .

Note:

If the signal indicator remains off, the FWT may be faulty or not in coverage area. Please consult the local agent.

Making or Answering Calls

1. Before off-hook, make sure the signal indicator is on.
2. Dial the number in either of the following ways:
 - Dial a telephone number in a regular way, and the number will be dialed out in several seconds.
 - Dial all the digits of the number plus one #. The FWT will immediately dial the number.
3. Make sure to hook on the telephone in place, so that you can receive calls.

Adjusting the Voice Volume

You can adjust the voice volume either when the telephone is in standby mode or working mode. Four volume levels are available, with level 1 being the lowest and level 4 the highest.

Adjusting the Volume in Standby Mode

1. Hook off and you can hear the dial tone, which means the telephone service is available.
2. Press ##1 to adjust the volume.
3. Press keys from 1 to 4 to select the desired volume. The keys from 1 to 4 represent volume level from 1 to 4.

4. After selecting the desired volume, press * key to save it. If you hear the confirmation tone of a "toot", you have successfully set the volume level.

Note:

If you hear the reject tone of "toot, toot", you have pressed an incorrect key. The system will return to the off-hook state, and you can retry to make the setting after hearing the dial tone again.

Adjusting the Volume During a Call

1. If you are in a session with the remote party, you can press ##1 to adjust the volume.
2. Press keys from 1 to 4 to select the desired volume. The keys from 1 to 4 represent volume level from 1 to 4.
3. After selecting the desired volume, press * key to save it. If you hear the confirmation tone of a "toot", you have successfully set the volume level.
4. Keep in session mode.

Note:

If you hear the reject tone of "toot, toot" when setting the volume, you have pressed an incorrect key and this setting attempt is failed. However, the session mode remains and you can perform operations from Step 1 to 4 to adjust the volume again.

Supplementary Services

You need the network carrier to enable the services. Here are several typical services for your reference:

Three-Way Calling, Call Forward, Call Holding, Call Waiting, Caller ID Display, Emergency Call.

Security

The Personal Identification Number (PIN) code protects the SIM card from unauthorized use. The PIN Unlocking Key (PUK) code can unblock the PIN code. The PIN and PUK codes are provided with your SIM card. For details, consult your service provider.

5 Troubleshooting

The FWT is not connected to a power adapter. The switch of the FWT is switched on, but the battery indicator is still off.

Check whether the battery is installed.

If the battery is installed, the problem may result from low power supply of the battery. Please charge the battery.

Connect the power adapter to the FWT, but the power indicator remains off.

Check whether the output voltage of the power adapter meet the requirement of the FWT.

The signal indicator is in normal state, but no dial tone is heard after off-hook.

Check the connection between the telephone and the FWT.

The voice is unstable and discontinuous.

Check whether signal indicator is on. Move the FWT to a position with stronger signal. The signal strength may be led by environmental interference. For details, consult the carrier.

The volume is too loud or too low.

Following the "Adjusting the Volume during a call".

The hands-free function cannot be used.

If an FWT is connected with two phones at the same time, and one is in use, the other phone's handfree function may not work. You can use the handset.