

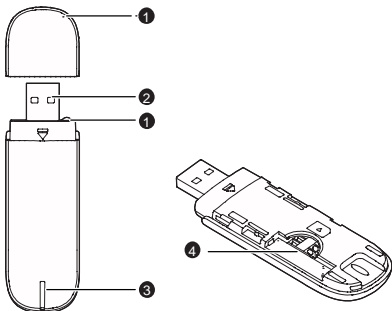
Thank you for choosing the Mobile Broadband USB Stick. With your USB Stick, you can access a wireless network at high speed.

Note:

This guide briefly describes the appearance of the USB Stick and the procedures for using the USB Stick. For details about how to set the management parameters, see help information on the web management page.

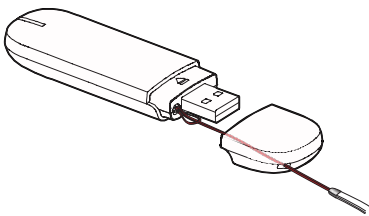
Getting to Know Your USB Stick

The following figure shows the appearance of the USB Stick. It is provided only for your reference. The actual product may be different.



① Strap Hole

You can tie the cap and the USB Stick together by threading a strap through the strap holes, so that the cap will not be easily lost.



② USB Connector

It connects the USB Stick to a PC.

③ Indicator

It indicates the status of the USB Stick.

- Green, blinking twice every 3s: The USB Stick is powered on.
- Green, blinking once every 3s: The USB Stick is registering with a 2G network.
- Blue, blinking once every 3s: The USB Stick is registering with a 3G/3G+ network.
- Green, solid: The USB Stick is connected to a 2G network.
- Blue, solid: The USB Stick is connected to a 3G network.
- Cyan, solid: The USB Stick is connected to a 3G+ network.
- Off: The USB Stick is removed.

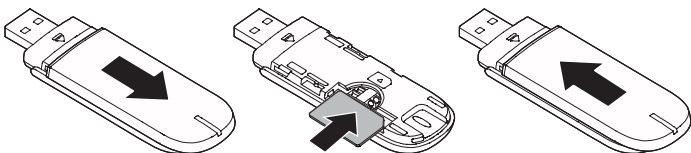
④ SIM/USIM Card Slot

It holds a Subscriber Identity Module (SIM)/Universal Subscriber Identity Module (USIM) card.

Getting Your USB Stick Ready

Install the SIM/USIM card

1. Slide the front cover to remove it from the USB Stick.
2. Insert the SIM/USIM card into the card slot, as shown in the following figure.
3. Replace the front cover and slide it into place.



Note:

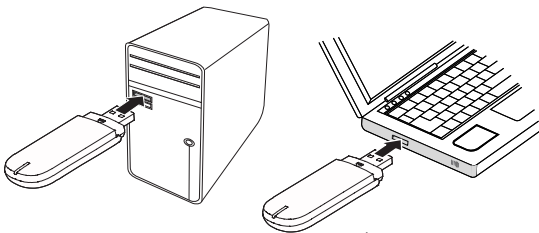
- Ensure that the beveled edge of the SIM/USIM card is properly aligned with that of the SIM/USIM card slot.
- Do not remove the SIM/USIM card when the card is in use. Otherwise, the card as well as your USB Stick may get damaged and the data stored on the card may be corrupted.

Using Your USB Stick

The procedure for installing the management program depends on your computer's operating system. The following sections are based on Windows XP.

Connecting to a Network

1. Insert the USB Stick into one of your computer's USB ports.



The computer identifies the new hardware and starts its installation automatically.

2. When the installation is complete, the USB Stick's web management page is displayed and the USB Stick connects to the network automatically. The USB Stick's web management page will be automatically displayed every time the USB Stick is inserted into the computer.

Note:

- If the computer does not start the USB Stick's installation automatically, find the **AutoRun.exe** file in the USB Stick's root directory, and double-click the file to run it.
- If you are not connected to the network, access <http://192.168.9.1> to check the device status.
- If you cannot access <http://192.168.9.1>, disconnect other network connections, such as an Ethernet or Wireless Fidelity (Wi-Fi) connection, remove and then insert the USB Stick, or restart the computer.

Disconnecting from a Network

Remove the USB Stick from the computer.

Note:

If you do not need to connect to a network, it is recommended that you remove the USB Stick from your computer to eliminate unwanted data traffic.

Viewing Service Information

Visit <http://192.168.9.1> to view your service information.