



R250D

Hardware Installation and Maintenance Guide

Issue **01**

Date **2016-09-30**

Copyright © Huawei Technologies Co., Ltd. 2016. All rights reserved.

No part of this document may be reproduced or transmitted in any form or by any means without prior written consent of Huawei Technologies Co., Ltd.

Trademarks and Permissions



HUAWEI and other Huawei trademarks are trademarks of Huawei Technologies Co., Ltd.

All other trademarks and trade names mentioned in this document are the property of their respective holders.

Notice

The purchased products, services and features are stipulated by the contract made between Huawei and the customer. All or part of the products, services and features described in this document may not be within the purchase scope or the usage scope. Unless otherwise specified in the contract, all statements, information, and recommendations in this document are provided "AS IS" without warranties, guarantees or representations of any kind, either express or implied.

The information in this document is subject to change without notice. Every effort has been made in the preparation of this document to ensure accuracy of the contents, but all statements, information, and recommendations in this document do not constitute a warranty of any kind, express or implied.

Huawei Technologies Co., Ltd.

Address: Huawei Industrial Base
Bantian, Longgang
Shenzhen 518129
People's Republic of China

Website: <http://www.huawei.com>

Email: support@huawei.com

About This Document

Intended Audience





This document describes hardware features of the R250D and provides basic installation methods.


This document is intended for:

- Network planning engineers
- Hardware installation engineers
- Commissioning engineers
- Onsite maintenance engineers
- System maintenance engineers

Symbol Conventions

The symbols that may be found in this document are defined as follows.

Symbol	Description
 DANGER	Indicates an imminently hazardous situation which, if not avoided, will result in death or serious injury.
 WARNING	Indicates a potentially hazardous situation which, if not avoided, could result in death or serious injury.
 CAUTION	Indicates a potentially hazardous situation which, if not avoided, may result in minor or moderate injury.
 NOTICE	Indicates a potentially hazardous situation which, if not avoided, could result in equipment damage, data loss, performance deterioration, or unanticipated results. NOTICE is used to address practices not related to personal injury.

Symbol	Description
 NOTE	Calls attention to important information, best practices and tips. NOTE is used to address information not related to personal injury, equipment damage, and environment deterioration.

Change History

Changes between document issues are cumulative. The latest document issue contains all changes made in previous issues.

Issue 01 (2016-09-30)

Initial commercial release

Contents

About This Document.....	ii
1 Product Overview.....	1
1.1 Device Structure.....	2
1.2 Indicator Description.....	2
1.3 Basic Specifications.....	4
1.4 Ordering Information.....	5
2 AP Installation.....	6
2.1 Preparing for Installation.....	7
2.2 Installation Flowchart.....	8
2.3 Unpacking the Equipment.....	9
2.4 Determining the Installation Position.....	9
2.5 Installing the Device.....	10
2.5.1 Installing the Device on a Wall or Ceiling.....	10
2.5.2 Installing the Device into an 86-Type Box.....	12
2.6 Cable Connection.....	14
2.7 Checking the Device After Installation.....	15
2.8 Powering on the Device.....	16
3 Logging In to the Device.....	17
3.1 Logging In to the Device Using STelnet/Telnet.....	18
4 Hardware Failures.....	19
4.1 An device Fails to Be Powered On.....	20
5 Appendix.....	21
5.1 On-site Cable Assembly and Installation.....	22
5.1.1 Cable Assembly Precautions.....	22
5.1.2 Assembling Power Cables.....	23
5.1.3 Assembling Ethernet Cables.....	31
5.1.4 Installing Cable Accessories.....	45
5.1.5 Replacing the Mold of the Crimping Tool.....	61
5.2 Environmental Requirements for Device Operation.....	64
5.2.1 Environmental Requirements for an Equipment Room.....	64
5.2.2 Requirements for Power Supply.....	72

5.3 Equipment Grounding Specifications.....	75
5.3.1 General Grounding Specifications.....	75
5.3.2 Grounding Specifications for an Equipment Room.....	75
5.3.3 Grounding Specifications for Devices.....	75
5.3.4 Grounding Specifications for Communications Power Supply.....	76
5.3.5 Grounding Specifications for Signal Cables.....	77
5.3.6 Specifications for Laying Out Grounding Cables.....	77
5.4 Engineering Labels for Cables.....	78
5.4.1 Introduction to Labels.....	78
5.4.2 Engineering Labels for Optical Fibers.....	86
5.4.3 Engineering Labels for Network Cables.....	89
5.4.4 Engineering Labels for User Cables.....	90
5.4.5 Engineering Labels for Power Cables.....	91
5.5 Guide to Using Optical Modules.....	94
5.6 Fault Tag.....	97
5.7 Installation Checklist.....	98

1 Product Overview

About This Chapter

The R250D in Huawei Agile Distributed Wi-Fi Solution is applicable to scenarios with high-density rooms and complex wall structures, such as schools, hotels, hospitals, and office meeting rooms. Huawei R250D uses an 86 mm plate in compliance with international standards and can be easily installed into an 86-type box in a room. It is equipped with a built-in antenna and a hidden indicator; therefore, installation of the R250D does not affect indoor decorations or designs. It also has an IEEE 802.11a/b/g/n/ac/ac Wave 2 wireless module and can work on both 5 GHz and 2.4 GHz frequency bands. It supports PoE power supply, and can be directly connected to a central AP and deployed in a room. The central AP and the R250D are connected through network cables, which greatly extends the coverage range, enhances flexibility in AP deployment and planning, and reduces the engineering construction costs.

[1.1 Device Structure](#)

[1.2 Indicator Description](#)

[1.3 Basic Specifications](#)

[1.4 Ordering Information](#)

1.1 Device Structure

Figure 1-1 shows the appearance of the R250D.

Figure 1-1 Appearance of the R250D

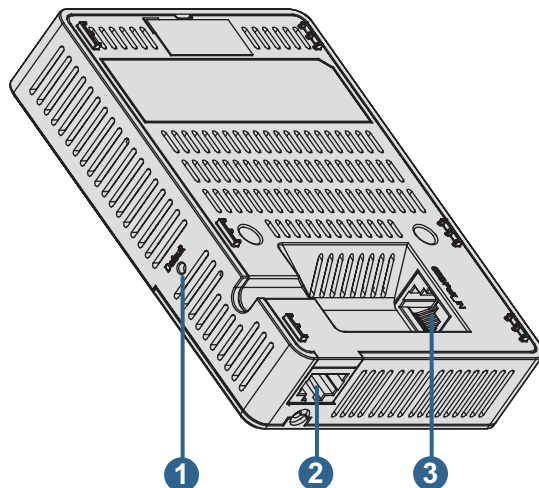


Table 1-1 describes ports on the R250D.

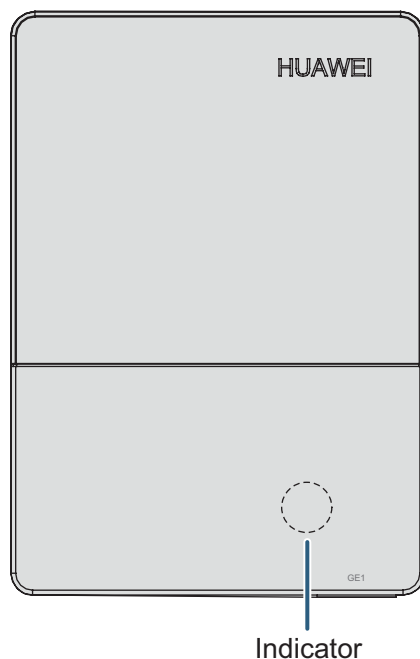
Table 1-1 Ports on the R250D

No.	Name	Description
1	Default	Reset button: restores factory settings and restarts the device if you hold down the button more than 3 seconds.
2	GE1	10/100/1000M port: connects to the wired Ethernet.
3	GE0/ PoE_IN	10/100/1000M port: connect to the central AP and supports PoE power input.

1.2 Indicator Description

The R250D provides only one indicator, as shown in **Figure 1-2**.

Figure 1-2 Indicator



NOTE

- The indicator is located inside the panel, which turns on after the AP is powered on.
- Indicator colors may vary slightly at different temperature.

Table 1-2 Indicator description

Type	Color	Status	Description
Default status after power-on	Green	Steady on	The AP is just powered on and the software is not started yet.
Software startup status	Green	Steady on after blinking once	After the system is reset and starts uploading the software, the indicator blinks green once. Until the software is uploaded and started, the indicator remains steady green.
Running status	Green	Blinking once every 2s (0.5 Hz)	The system is running properly, the Ethernet connection is normal, and STAs are associated with the AP.

Type	Color	Status	Description
		Blinking once every 5s (0.2 Hz)	The system is running properly, the Ethernet connection is normal, and no STA is associated with the AP. The system is in low power consumption state.
Alarm	Green	Blinking once Alarm Green every 0.25s (4 Hz)	<ul style="list-style-type: none"> ● The software is being upgraded. ● After the software is uploaded and started, the AP working in Fit AP mode requests to go online on the AC and maintains this state until it goes online successfully on the AC (before the CAPWAP link is established). ● The AP registration fails (the CAPWAP link is disconnected).
Fault	Red	Steady on	A fault that affects services has occurred, such as a DRAM detection failure or system software loading failure. The fault cannot be automatically rectified and must be rectified manually.

1.3 Basic Specifications

Table 1-3 provides basic specifications of the R250D.

Table 1-3 Basic specifications

Item		Description
Physical specifications	Dimensions (H x W x D)	26 mm x 86 mm x 120 mm
	Weight	0.2 kg
	System memory	<ul style="list-style-type: none"> ● 256 MB DDR3L ● 32MB Flash
Power specifications	Power input	PoE power supply: in compliance with IEEE 802.3af/at
	Maximum power consumption	10.1 W NOTE The actual maximum power consumption depends on local laws and regulations.
Environment specifications	Operating temperature	<ul style="list-style-type: none"> ● -60 m to +1800 m: 0°C to +40°C ● 1800 m to 5000 m: Temperature decreases by 1°C every time the altitude increases 300 m.
	Storage temperature	-40°C to +70°C
	Operating humidity	5% to 95% (non-condensing)
	IP rating	IP20
	Atmospheric pressure	53 kPa to 106 kPa

1.4 Ordering Information

To place an order, contact technical support personnel.

Part Number	Description
50082920	R250D Mainframe(11ac,2x2 Double Frequency,Built-in Antenna)

2 AP Installation

About This Chapter

- 2.1 Preparing for Installation
- 2.2 Installation Flowchart
- 2.3 Unpacking the Equipment
- 2.4 Determining the Installation Position
- 2.5 Installing the Device
- 2.6 Cable Connection
- 2.7 Checking the Device After Installation
- 2.8 Powering on the Device

2.1 Preparing for Installation

This section describes safety precautions and tool preparations for AP installation.

Safety Precautions

- Take proper measures to prevent injuries and device damage.
- Place the device in a dry and flat position away from any liquid and prevent the device from slipping.
- Keep the device clean.
- Do not put the device and tools in the aisles.








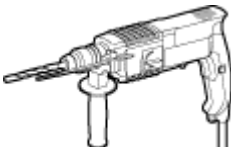

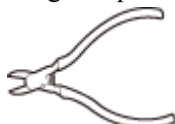
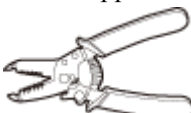
CAUTION

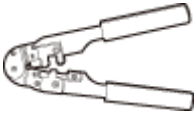







Only the qualified personnel are permitted to install and remove the device and its accessories. Before installation and operation, read the safety precautions carefully.

Tool Preparation

To install APs, prepare tools listed in [Table 2-1](#).

Table 2-1 Tools

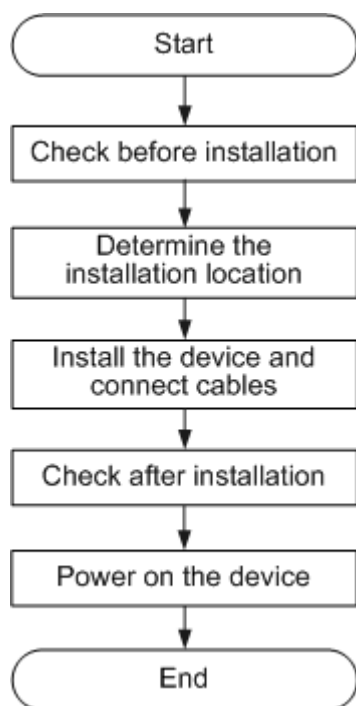
Phillips screwdriver 	Protective gloves 	ESD gloves 
Slip-proof glove 	Marker 	Hammer drill 
Claw hammer 	Diagonal pliers 	Wire stripper 

<p>RJ45 crimping tool</p> 	<p>Cable cutter</p> 	<p>Network cable tester</p> 
<p>Multimeter</p> 	<p>Ladder</p> 	<p>Safety helmet</p> 
<p>Safety belt</p> 	<p>Anti-skid shoes</p> 	<p>-</p>

2.2 Installation Flowchart

The following figure shows the process.

Figure 2-1 Installation flowchart



2.3 Unpacking the Equipment

Before unpacking the carton, ensure that the packing carton is intact and not damaged or soaked. Stop unpacking if the equipment is rusted or soggy. Then, investigate causes and contact the supplier.

After unpacking, check items in the carton against the packing list. If any item is missing, contact the supplier or agent.

Usually, the packing list contains the following items.

- Remote Unit
- Expansion screws
- Screw
- Quick start guide
- Warranty card
- MAC address label
- SN label

2.4 Determining the Installation Position

- Do not deploy the device in places with high temperature, dust, noxious gas, unstable voltage, much vibrations, or strong noise, or in places near flammable or explosive materials and interference sources such as a large radar station, radio station, and transformer station.

- Install the device in a site that is free from leaking or dripping water, heavy dew, and humidity, and take protective measures to prevent water from flowing into the equipment along the cable.
- Place the AP far away from electronic devices that may produce radio interference, such as microwave ovens, antennas, and other radio communication devices. For details, see [Table 2-2](#).
- Install the device in hidden places and ensure that the device does not disturb daily work and life of residents.
- Make the engineering design by fully considering such factors as hydrology, geology, earthquake, electric power, and traffic. The selected site should comply with the environment design specifications of communications equipment.

Table 2-2 General anti-interference requirements

Scenario	Deployment Distance Requirement
Indoor installation	<ul style="list-style-type: none"> ● There should be at least a 7 m distance between antennas. ● The antennas should be placed at least 2 m from the 4G antennas of the carrier. ● The antennas should be placed far away from electronic devices that may produce interference, such as microwave ovens.

 **NOTE**

If antennas are embedded into APs, the deployment distance requirements on the antennas are those on APs.

2.5 Installing the Device

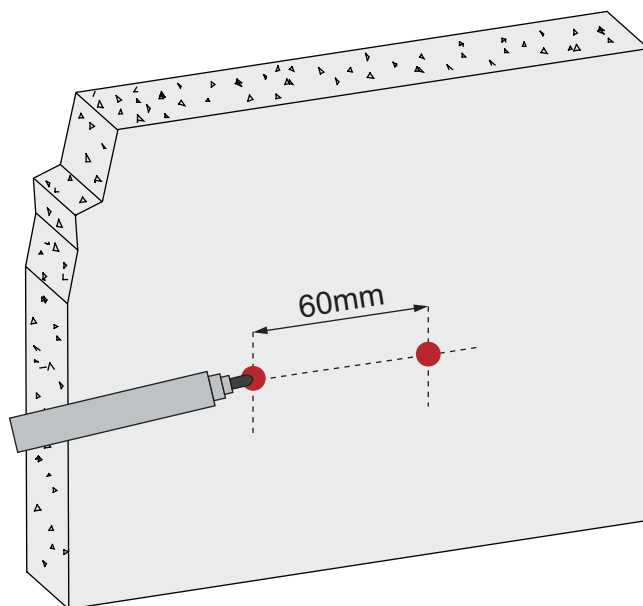
 **NOTE**

Remove the protective film on the surface before installation to prevent electrostatic discharge.

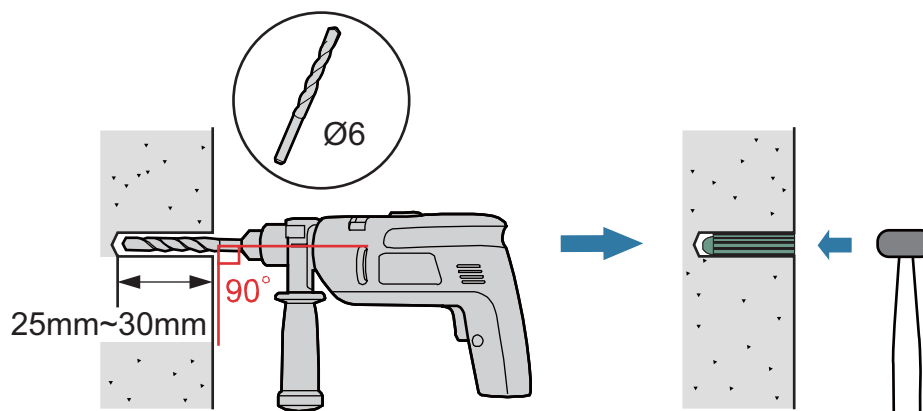
2.5.1 Installing the Device on a Wall or Ceiling

Installing the device on a wall or ceiling requires expansion screws. The procedures are as follows:

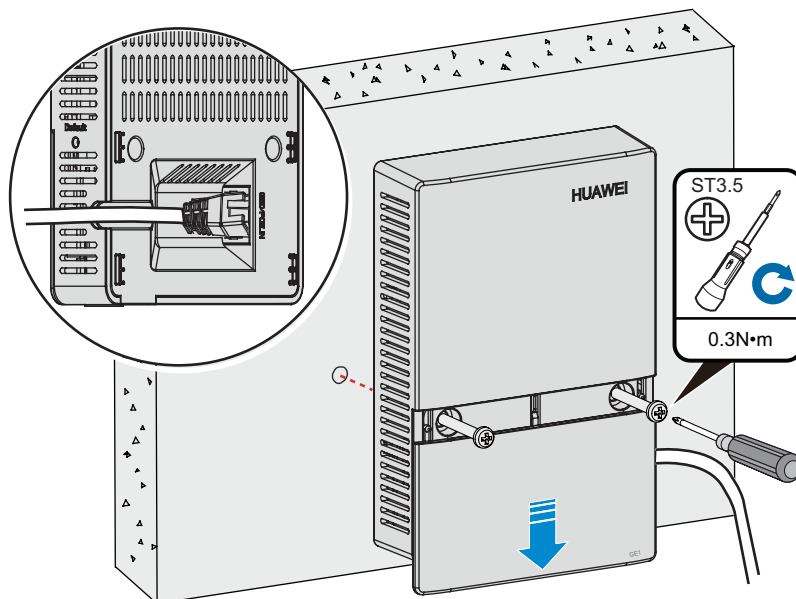
1. Determine the installation area on the wall or ceiling and use a marker to mark the drilling positions (the distance between the two drilling positions should be 60 mm).



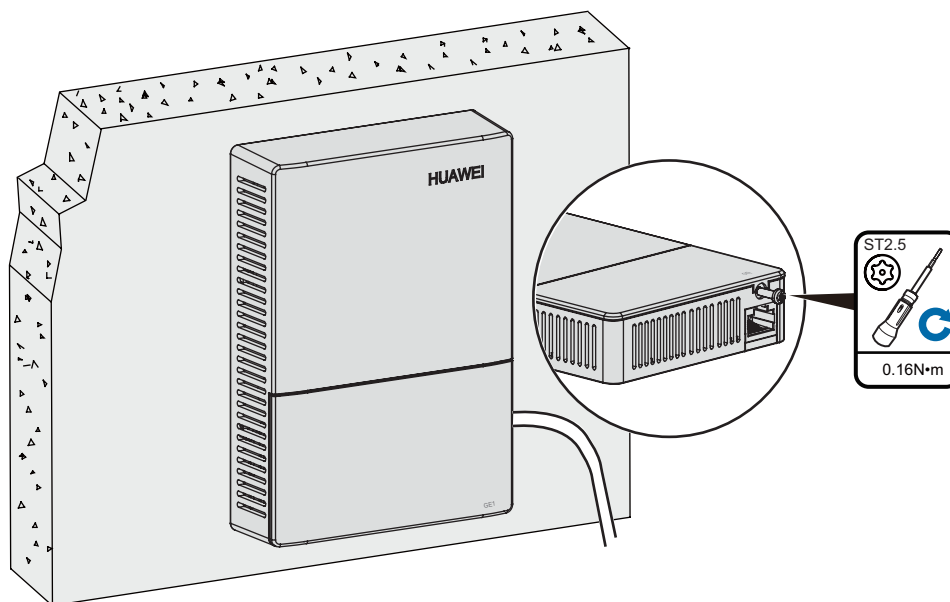
2. Use a 6 mm drill bit to drill 25 mm to 30 mm deep holes in the drilling positions. Hammer the expansion tubes into the holes until the expansion tubes are completely embedded into the wall.



3. Connect the cables. For details, see [2.6 Cable Connection](#).
4. Open the front cover of the device, align screws on both sides with the plastic expansion tubes, and use the Phillips screwdriver to tighten the two screws.



5. Close the cover. If torx security screws are used to prevent theft, use a T9 torx security screwdriver to tighten the torx security screws into the device.



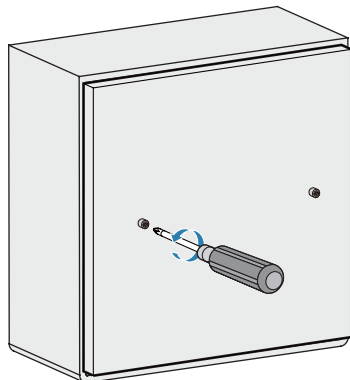
NOTE

You need to separately prepare the T9 torx security screwdriver.

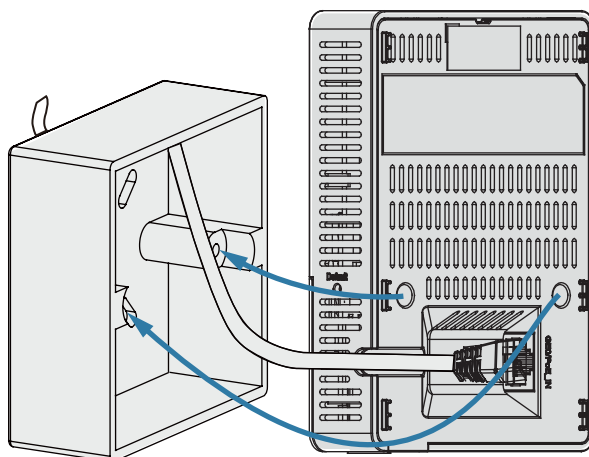
2.5.2 Installing the Device into an 86-Type Box

Installing the device in an 86-type box requires expansion screws delivered with the device. The procedure is as follows:

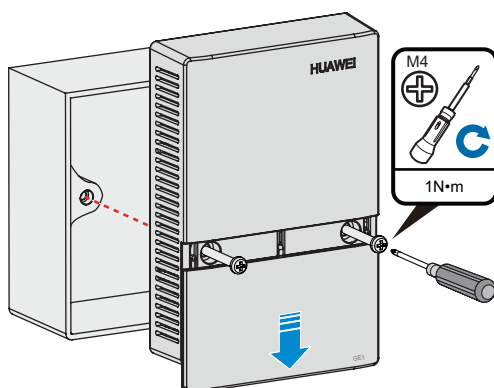
1. Use a screwdriver to remove the 86-type panel from the wall (skip this step if no 86-type panel is installed on the wall).



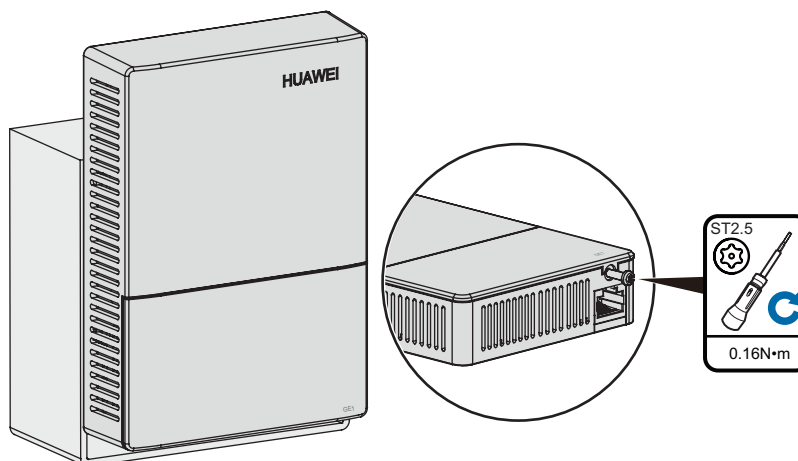
2. Connect the network cable to the GE0/PoE_IN interface.



3. Connect the cables. For details, see [2.6 Cable Connection](#).
4. Open the front cover of the device, align screws on both sides with the screw holes in the 86-type box, and use the Phillips screwdriver to tighten the two screws.



5. Close the cover. If torx security screws are used to prevent theft, use a T9 torx security screwdriver to tighten the torx security screws into the device.



NOTE

You need to separately prepare the T9 torx security screwdriver.

2.6 Cable Connection

Table 2-3 describes the cable connections.

Figure 2-2 Appearance of the R250D

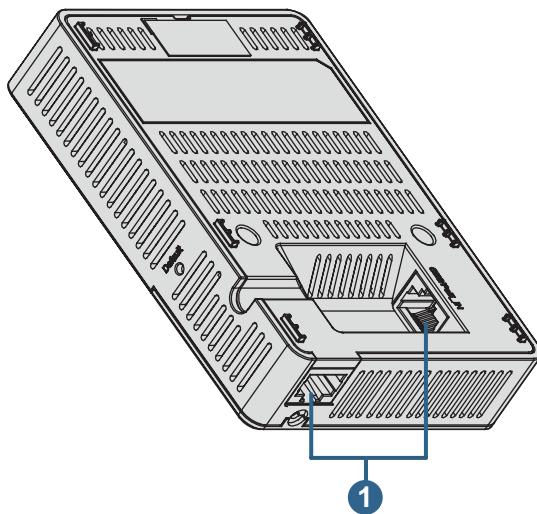


Table 2-3 Cable connections

No.	Cable or Device	Description
1	Network cable	<ul style="list-style-type: none"> ● CAT5e cables or higher must be used. ● The length of a cable cannot exceed 100 m. ● The Ethernet cable must work properly; otherwise, the device may fail to be powered on or cannot run properly. Before connecting an Ethernet cable to the R250D, use the cable test tool to check whether the cable is qualified. If not, replace the cable. <p>NOTICE Do not insert a PoE input cable into the GE1 port.</p>

Pay attention to the following points when bundling the cables:

- Different types of cables must be separately routed with the minimum spacing of 30 mm and cannot be entangled or crossed. Cables should be parallel or separated using dedicated separators.
- Bundled cables are closely arranged, straight, tidy, and undamaged.
- Cable ties are bound neatly facing the same direction, and those at the same horizontal line must be in a straight line. Cable tie tails should be cut smoothly and evenly.
- Labels or nameplates must be attached to the cables after they are installed.

2.7 Checking the Device After Installation

Table 2-4 shows the items to be checked after installation is complete. For more details, see **Installation Checklist** in the appendix.

Table 2-4 Installation checklist

No.	Check Item
1	The device is installed by strictly following the design draft. The installation position meets space requirements, with maintenance space reserved.
2	The device is securely installed.
3	The power cables are intact and not spliced.
4	Terminals of the power cables are welded or cramped firmly.
5	All power cables are not short-circuited or reversely connected and must be intact with no damage.
6	The power cables and ground cables are separated from other cables and bundled separately.

No.	Check Item
7	Connectors of signal cables are complete, intact, and tightly connected. The signal cables are not damaged or broken.
8	Labels on cables are clear and correct.

2.8 Powering on the Device

After the device is powered on, observe indicator on the device to determine the system running status. For details, see [1.2 Indicator Description](#).

 **NOTE**

Do not frequently power on and off the device.

3 Logging In to the Device

About This Chapter

[3.1 Logging In to the Device Using STelnet/Telnet](#)

3.1 Logging In to the Device Using STelnet/Telnet

You can log in to the device using STelnet V2 or Telnet to configure, manage, and maintain the device in the CLI.

 **NOTE**

- By default, only the STelnet V2 service is enabled on the device.
- Telnet has security vulnerabilities. You are not advised to enable the Telnet service.

Before logging in to the device, complete the following tasks:

- Power on the device.
- Prepare network cables used to connect device interfaces.

The following table lists the default configuration of the device. You are advised to change the default user name and password on your first login.

Table 3-1 Default configuration of the device

Parameter	Default Setting
User name	admin
Password	admin@huawei.com
IP address	169.254.1.1
Subnet mask	255.255.0.0

 **NOTE**

If the device is already online on the AC, you can remotely log in to the AC on a local terminal and run the **display ap all** command to check the IP address of the device.

The following example uses the default parameters and is used for reference only.

Step 1 Use network cables and a LAN switch to connect the PC to the network interface of the device.

Step 2 Assign the PC with an IP address on the same network segment as the default IP address of the device so that the PC and device are reachable to each other.

If the device uses the default settings, the IP address of the PC must be in the network segment 169.254.0.0/16 but cannot be 169.254.1.1. 169.254.1.100 is recommended.

Step 3 Start the CLI on the PC and access the IP address **169.254.1.1** of the device using STelnet V2.

Step 4 Enter the user name and password as prompted to log in to the user interface.

----End

4 Hardware Failures

About This Chapter

This section describes common methods for troubleshooting typical hardware faults.

[4.1 An device Fails to Be Powered On](#)

4.1 An device Fails to Be Powered On

Fault Description

The SYS indicator of a device is off.

Possible Causes

- The power sourcing equipment does not support the PoE function or is faulty.
- The power sourcing equipment is incorrectly configured (the PoE function is disabled or the power-off time range is improperly set).
- The line is faulty (the network cable or distribution frame is damaged).
- The device is faulty.

Troubleshooting Procedure

1. Check whether the power sourcing equipment supports PoE or is faulty.
2. Check whether the configuration on the power sourcing equipment causes PoE power supply errors, such as the PoE function is disabled or the power-off time range is incorrectly set.
3. Check whether the network cable or distribution frame is faulty.
4. If the device still cannot be powered on, the device itself is faulty. Contact technical support personnel or Huawei agent and ask them to replace the device.

5 Appendix

About This Chapter

- 5.1 On-site Cable Assembly and Installation
- 5.2 Environmental Requirements for Device Operation
- 5.3 Equipment Grounding Specifications
- 5.4 Engineering Labels for Cables
- 5.5 Guide to Using Optical Modules
- 5.6 Fault Tag
- 5.7 Installation Checklist

5.1 On-site Cable Assembly and Installation

5.1.1 Cable Assembly Precautions

Checking the Appearance of Cables

- If the cable jacket or insulation is visibly dirty, clean it before assembly.
- If the jacket or insulation of a cable has visible damage, irreparable scuffing, or other defects, do not use the cable.
- If the shield layer of a cable is damaged, do not use the cable.
- If the cable jacket or insulation cracks after the cable is bent or twisted, discard this cable and check whether other cables have the same problem. If other cables have the same problem, replace these cables.

Checking the Appearance of Connectors

- Do not use connectors with visible defects, damage, rust or scuffing.
- Do not use connectors if their shells or pins have exposed part or uneven plating, or their pins are lost, broken, or bent.
- Do not use connectors that have dirt on their pins or in their jacks or if there are conductors between pins or between pins and the shell.

Precautions for Assembly

- Use dedicated tools or tools delivered by Huawei and follow the methods given here during assembly.
- Hold terminals of cables instead of pulling the cables themselves when installing or removing cable components.
- Take the following precautions when cutting or stripping cables:
 - Make cables slightly longer than necessary.
 - Coil cables longer than 2 m (6.56 ft) after cutting. Bind and fasten the coils using bundling ropes. The inner diameters of the coils should be larger than 20 times the outer diameters of the cables.
 - When stripping the jackets of cables, avoid damaging the shield layers (braid or aluminum foil), insulation, core conductors, and other jackets that do not need to be stripped.
 - After assembling cables, cut all visible cross sections of jackets to ensure that the cross sections are arranged neatly.
 - Do not touch the core conductors of cables with your hands. Terminate exposed conductors in a timely way after stripping off insulation so that the surface of the conductors does not become oxidized.
- Take the following precautions when crimping and connecting cables or connectors:
 - The terminals and conductors should be connected tightly after they are crimped. They should not be moved or turned.

- Cut all the exposed copper wires.
- Try to avoid a second crimping of sleeves.
- Keep all the conductors clean and aligned.

 **NOTE**

The connectors, cables, and tools provided by different vendors may be different. The figures in this document are for your reference only.

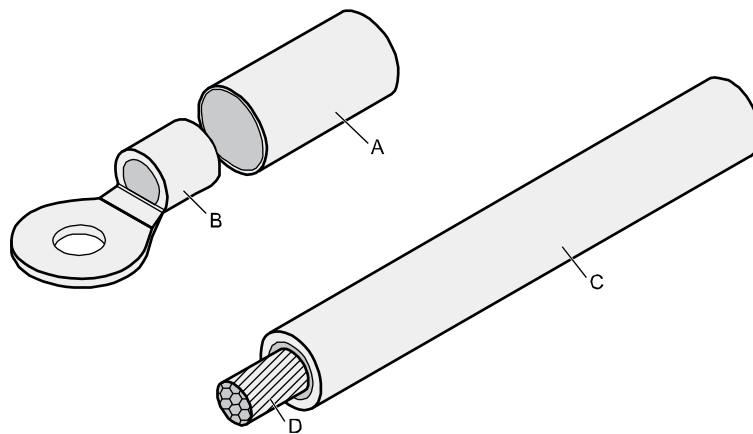
5.1.2 Assembling Power Cables

Assembling the OT Terminal and Power Cable

Context

Figure 5-1 shows the components of an OT terminal and a power cable.

Figure 5-1 Components of an OT terminal and a power cable

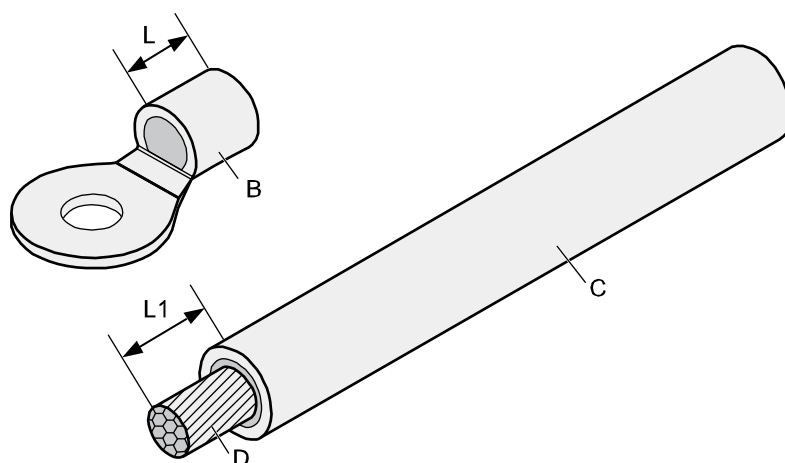


A. Heat-shrinkable tubing B. Bare crimping terminal C. Insulation D. Conductor

Procedure

- Step 1** Based on the cross-sectional area of the cable conductor, strip a length of insulation coating C to expose the conductor D of length L1, as shown in **Figure 5-2**. The recommended values of L1 are listed in **Table 5-1**.

Figure 5-2 Stripping a power cable (OT terminal)



 **NOTICE**

- When you strip a power cable, do not damage the conductor of the cable.
- If the bare crimping terminal is not provided by Huawei, the value of $L1$ is 1 mm (0.04 in.) to 2 mm (0.08 in.) greater than the value of L .

Table 5-1 Mapping between the cross-sectional area of the conductor and the value of $L1$

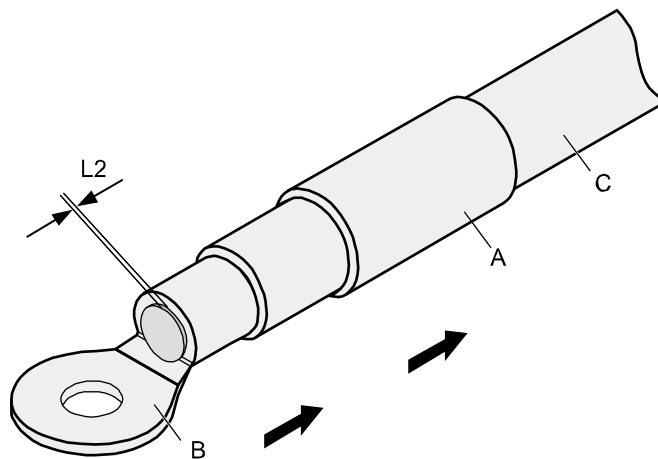
Cross-Sectional Area of Conductor (mm ² (in. ²))	Value of $L1$ (mm(in.))	Cross-Sectional Area of Conductor (mm ² (in. ²))	Value of $L1$ (mm(in.))
1 (0.002)	7 (0.28)	10 (0.015)	11 (0.43)
1.5 (0.002)	7 (0.28)	16 (0.025)	13 (0.51)
2.5 (0.004)	7 (0.28)	25 (0.039)	14 (0.55)
4 (0.006)	8 (0.31)	35 (0.054)	16 (0.63)
6 (0.009)	9 (0.35)	50 (0.077)	16 (0.63)

 **NOTE**

If you are proficient in assembling OT terminals and power cables, you can obtain the value of $L1$ by comparing the part to be crimped with the power cable.

Step 2 Put the heat-shrinkable (A) tubing onto the bare crimping terminal, as shown in [Figure 5-3](#).

Figure 5-3 Putting the heat shrink tubing onto the bare crimping terminal



- Step 3** Put the OT terminal B onto the exposed conductor, and ensure that the OT terminal is in good contact with the insulation coating C, as shown in [Figure 5-3](#).

 **NOTICE**

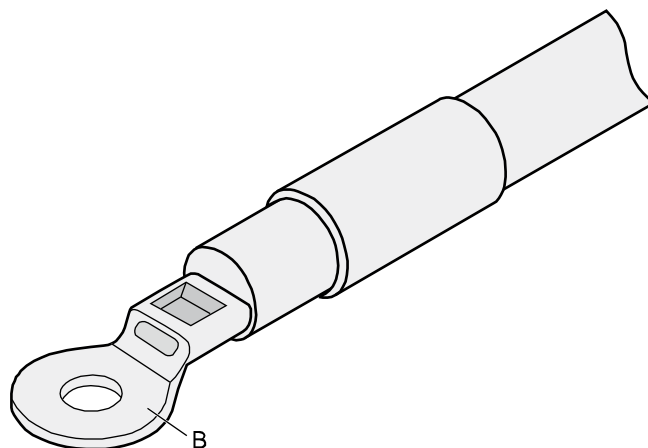
After the conductor is fed into the OT terminal, the protruding part of the conductor, or L2 in [Figure 5-3](#), must not be longer than 2 mm (0.08 in.).

-
- Step 4** Crimp the joint parts of the bare crimping terminal and the conductor, as shown in [Figure 5-4](#).

 **NOTE**

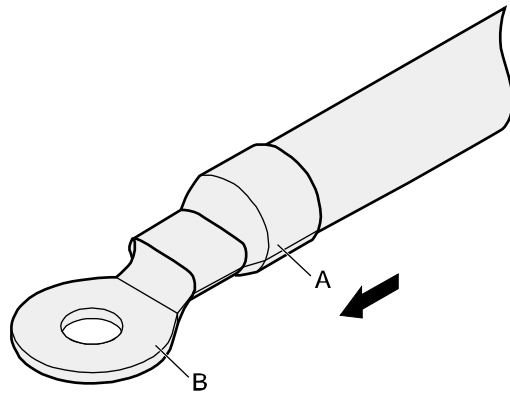
The shapes of crimped parts may vary with the crimping dies.

Figure 5-4 Crimping the joint parts of the bare crimping terminal and the conductor (OT terminal)



- Step 5** Push the heat shrink tubing (A) toward the connector until the tube covers the crimped part, and then use a heat gun to heat the tube, as shown in [Figure 5-5](#).

Figure 5-5 Heating the heat shrink tubing (OT terminal)



 **NOTICE**

Stop heating the shrink tubing when the connector is securely locked in the shrink tubing. Do not heat the shrink tubing too long as this may damage the insulation coating.

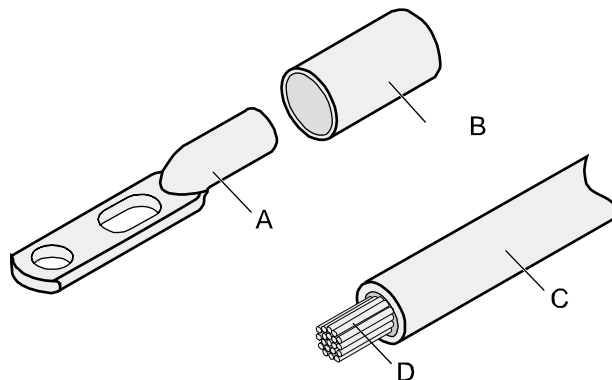
---End

Assembling the JG Terminal and Power Cable

Context

Figure 5-6 shows the components of a JG terminal and a power cable.

Figure 5-6 Components of a JG terminal and a power cable



A. JG terminal B. Heat-shrinkable tubing C. Insulation layer of a power cable D. Conductor of a power cable

Procedure

- Step 1** Strip a part of the insulation to expose the cable conductor with a length of L, as shown in [Figure 5-7](#). The recommended values of L are listed in [Table 5-2](#).



NOTICE

- When you strip a power cable, do not damage the conductor of the cable.
- If the bare crimping terminal is not provided by Huawei, you can adjust the value of L as required.

Figure 5-7 Stripping a power cable (JG terminal)

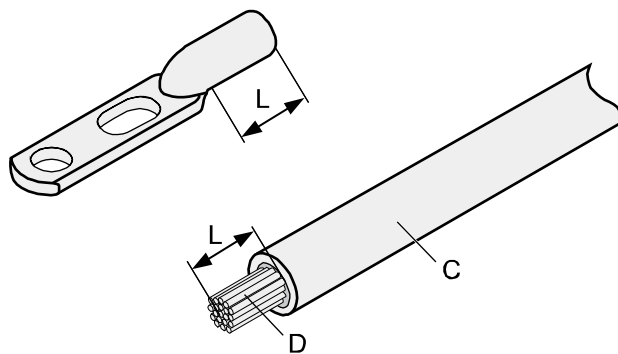
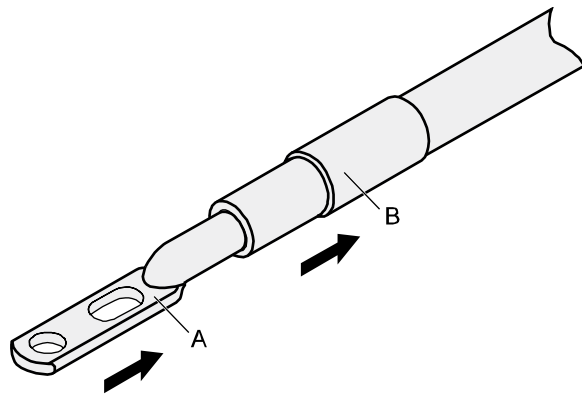


Table 5-2 Mapping between the cross-sectional area of the conductor and the value of L

Cross-Sectional Area of Conductor (mm ² (in. ²))	Value of L (mm(in.))
16 (0.025)	13 (0.51)
25 (0.039)	14 (0.55)
35 (0.054)	16 (0.63)
50 (0.077)	16 (0.63)

- Step 2** Put the heat shrink tubing onto the bare crimping terminal, as shown in [Figure 5-8](#).

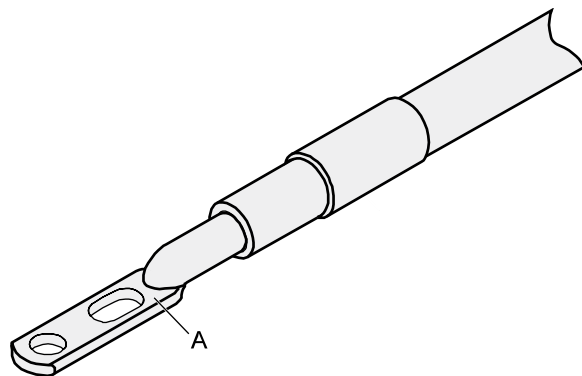
Figure 5-8 Putting the heat shrink tubing onto the bare crimping terminal



Step 3 Put the bare crimping terminal onto the exposed conductor, and ensure that the bare crimping terminal is in good contact with the insulation of the power cable, as shown in **Figure 5-8**.

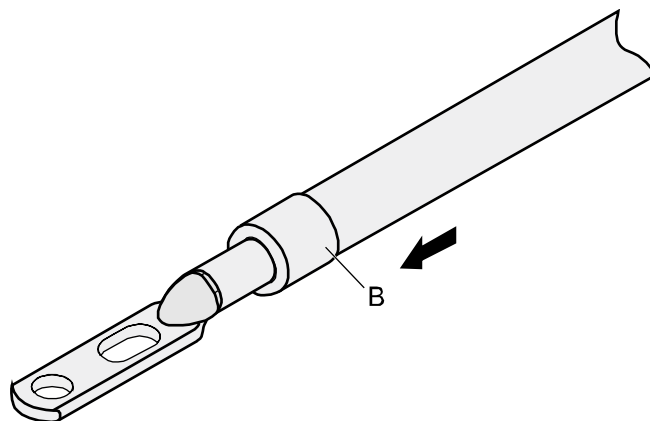
Step 4 Crimp the joint parts of the bare crimping terminal and the conductor, as shown in **Figure 5-9**.

Figure 5-9 Crimping the joint parts of the bare crimping terminal and the conductor (JG terminal)



Step 5 Push the heat shrink tubing toward the connector until the tube covers the crimped part, and then use a heat gun to heat the tube, as shown in **Figure 5-10**.

Figure 5-10 Heating the heat shrink tubing (JG terminal)



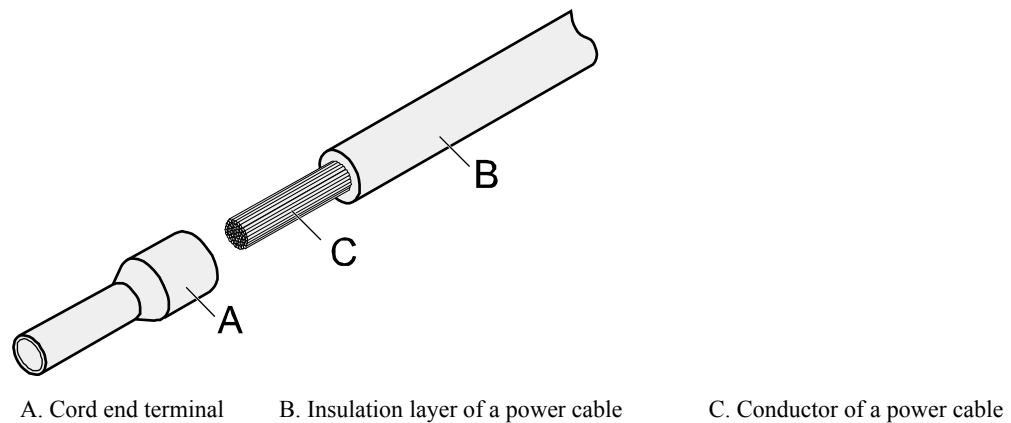
----End

Assembling the Cord End Terminal and the Power Cable

Context

Figure 5-11 shows the components of a cord end terminal and a power cable.

Figure 5-11 Components of a cord end terminal and a power cable



Procedure

- Step 1** Strip a part of the insulation to expose the cable conductor with a length of L1, as shown in **Figure 5-12**. The recommended values of L1 are listed in **Table 5-3**.

 **NOTICE**

When you strip a power cable, do not damage the conductor of the cable.

Figure 5-12 Stripping a power cable (cord end terminal)

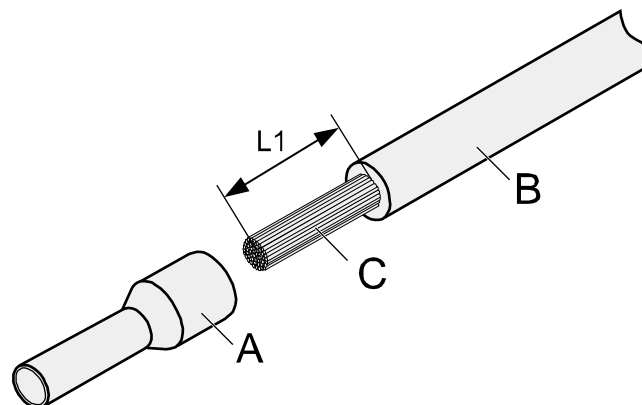


Table 5-3 Mapping between the cross-sectional area of the conductor and the value of L1

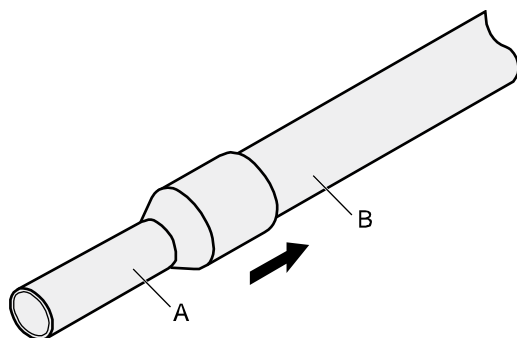
Cross-Sectional Area of Conductor (mm ² (in. ²))	Value of L1 (mm(in.))	Cross-Sectional Area of Conductor (mm ² (in. ²))	Value of L1 (mm(in.))
1 (0.002)	8 (0.31)	10 (0.015)	15 (0.59)
1.5 (0.002)	10 (0.39)	16 (0.025)	15 (0.59)
2.5 (0.004)	10 (0.39)	25 (0.039)	18 (0.71)
4 (0.006)	12 (0.47)	35 (0.054)	19 (0.75)
6 (0.009)	14 (0.55)	50 (0.077)	26 (1.02)

Step 2 Put the cord end terminal onto the conductor, and ensure that the conductor is aligned with the edge of the cord end terminal, as shown in [Figure 5-13](#).

 **NOTICE**

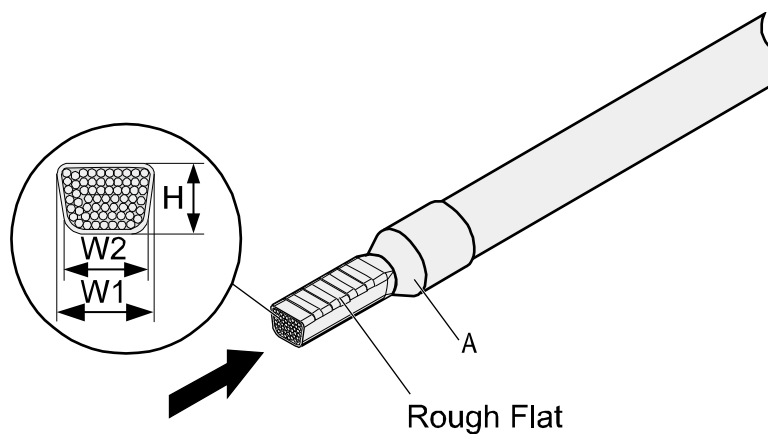
After the conductor is fed into the cord end terminal, the protruding part of the conductor must not be longer than 1 mm (0.04 in.).

Figure 5-13 Putting the cord end terminal onto the conductor



Step 3 Crimp the joint parts of the cord end terminal and the conductor, as shown in [Figure 5-14](#).

Figure 5-14 Crimping the cord end terminal and the conductor



Step 4 Check the maximum width of the tubular crimped terminal. The maximum width of a tubular crimped terminal is listed in [Table 5-4](#).

Table 5-4 Maximum width of a tubular crimped terminal

Cross-Sectional Area of Tubular Terminal (mm ² (in. ²))	Maximum Width of Crimped Terminal W1 (mm(in.))
0.25 (0.0004)	1 (0.04)
0.5 (0.0008)	1 (0.04)
1.0 (0.0015)	1.5 (0.06)
1.5 (0.0023)	1.5 (0.06)
2.5 (0.0039)	2.4 (0.09)
4 (0.006)	3.1 (0.12)
6 (0.009)	4 (0.16)
10 (0.015)	5.3 (0.21)
16 (0.025)	6 (0.24)
25 (0.039)	8.7 (0.34)
35 (0.054)	10 (0.39)

----End

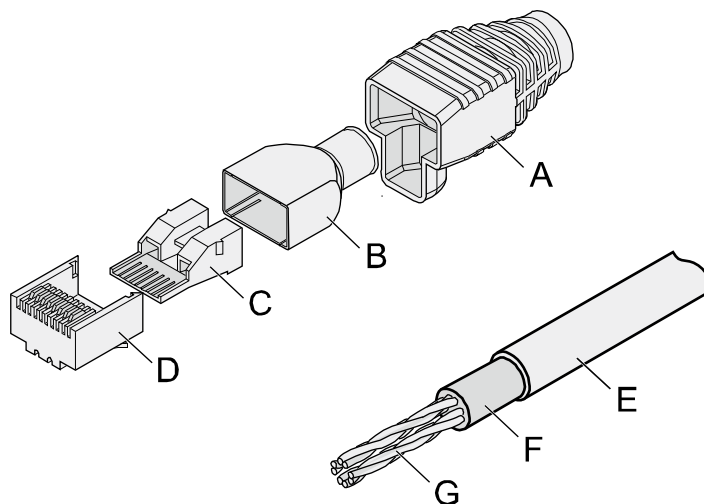
5.1.3 Assembling Ethernet Cables

Assembling the Shielded RJ45 Connector and Ethernet Cable

Context

Figure 5-15 shows the components of an RJ45 connector and a shielded Ethernet cable.

Figure 5-15 Shielded RJ45 connector and cable

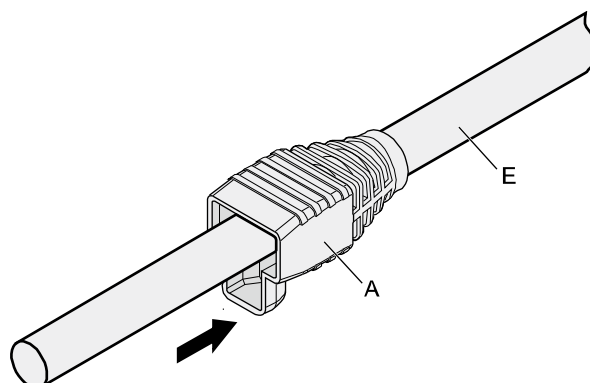


- | | | | |
|-----------------------------|-----------------------------------|-----------------------------|----------------------|
| A. Jacket of connector | B. Metal shell of connector | C. Wire holder of connector | D. Plug of connector |
| E. Jacket of Ethernet cable | F. Shield layer of Ethernet cable | G. Twisted-pair wires | - |

Procedure

Step 1 Fit the jacket of the connector onto the Ethernet cable, as shown in **Figure 5-16**.

Figure 5-16 Fitting the jacket of the connector onto the Ethernet cable

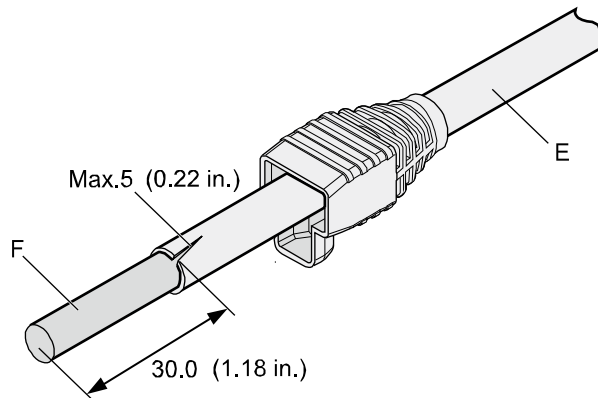


Step 2 Remove a 30 mm (1.18 in.) long section of the jacket, cut off the nylon twine inside the jacket, and cut a no more than 5 mm (0.20 in.) cleft in the jacket, as shown in **Figure 5-17**.

 **NOTICE**

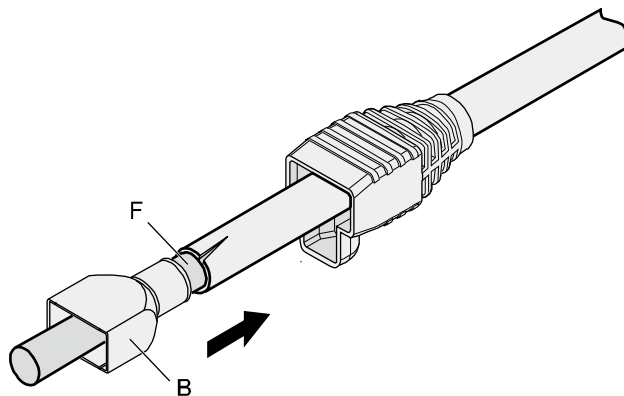
- When you remove a section of the jacket, do not damage the shield layer of the twisted-pair cable.
- When you remove the shield layer, do not damage the insulation of the twisted-pair cable.

Figure 5-17 Removing the jacket of a twisted-pair cable (unit: mm (in.))



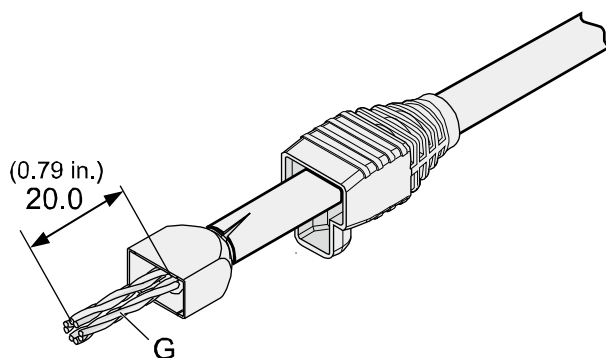
Step 3 Fit the metal shell onto the twisted-pair cable. The shield layer is covered by the metal shell, as shown in [Figure 5-18](#).

Figure 5-18 Fitting the metal shell onto the twisted-pair cable



Step 4 Fit the metal shell onto the twisted-pair cable until the shield layer is covered completely. Along the edge of the metal shell, cut off the aluminum foil shield layer and ensure that there is no surplus copper wire. The exposed twisted-pair cable is about 20 mm (0.79 in.) long, as shown in [Figure 5-19](#).

Figure 5-19 Removing the shield layer of a twisted-pair cable (unit: mm (in.))



Step 5 Lead the four pairs of twisted-pair wires through the wire holder, as shown in [Figure 5-20](#) and [Figure 5-21](#). Ensure that the colored wires are in the correct location in the cable.

Figure 5-20 Leading wires through the wire holder

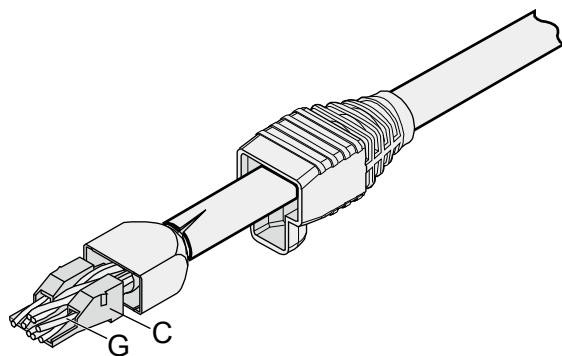
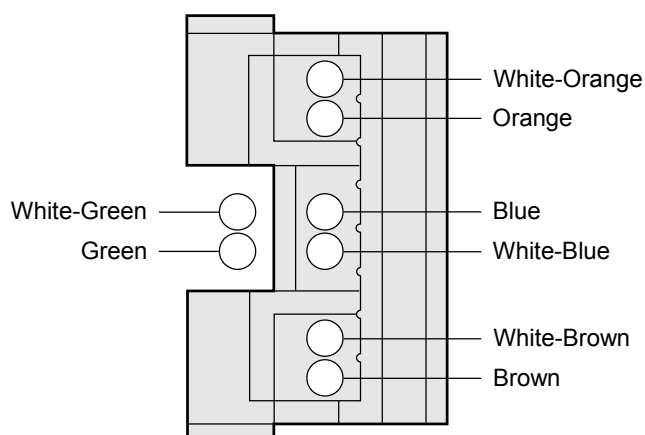


Figure 5-21 Cable locations in a wire holder



Step 6 Align the four pairs of cables in the holder, as shown in [Figure 5-22](#). The connections between the wires and the pins are shown in [Figure 5-23](#) and listed in [Table 5-5](#).

Figure 5-22 Four pairs of cables on a wire holder

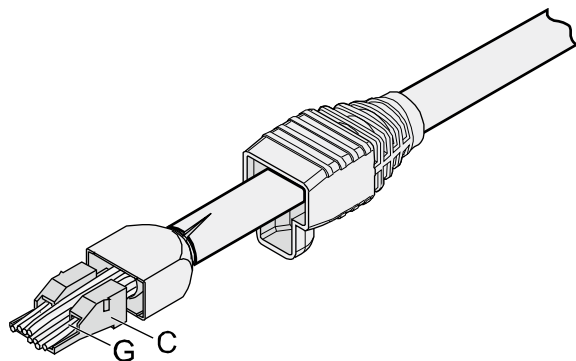


Figure 5-23 Connections between wires and pins

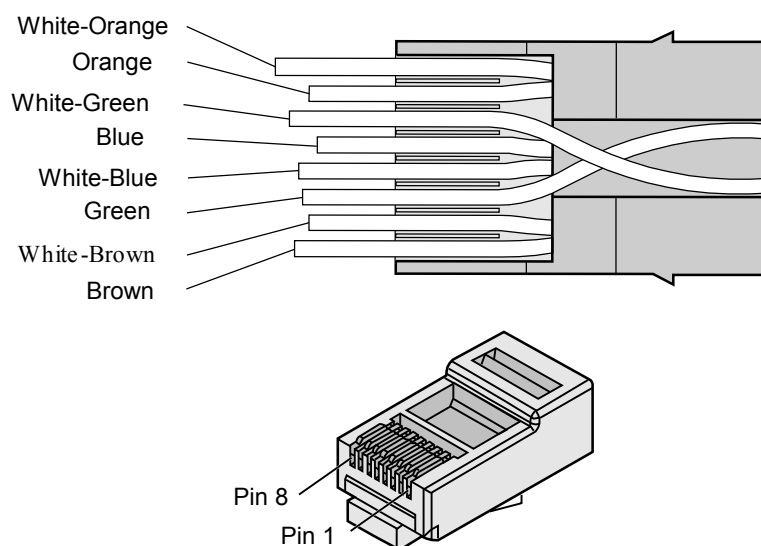


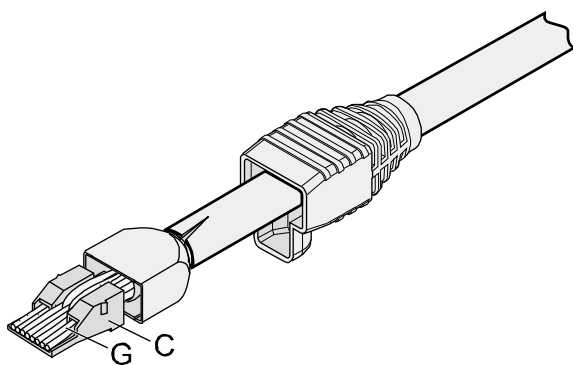
Table 5-5 Connections between wires and pins (using a straight-through cable as an example)

Matching Pins of Wires	Wire Color
1	White-Orange
2	Orange
3	White-Green
4	Blue
5	White-Blue
6	Green
7	White-Brown

Matching Pins of Wires	Wire Color
8	Brown

Step 7 Cut off the surplus cables along the lower edge of the wire holder, as shown in [Figure 5-24](#).

Figure 5-24 Cutting off surplus cables

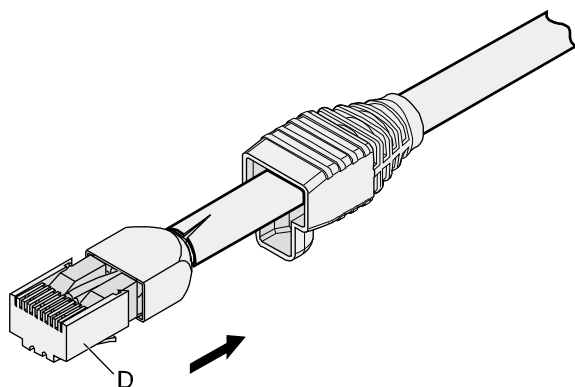


Step 8 Put the connector body onto the wire holder and turn the metal shell by 90°, as shown in [Figure 5-25](#).

NOTE

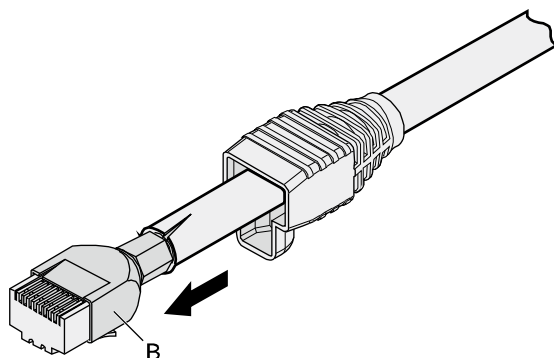
Ensure that the wire holder is in good contact with the connector body.

Figure 5-25 Putting the connector body onto the wire holder



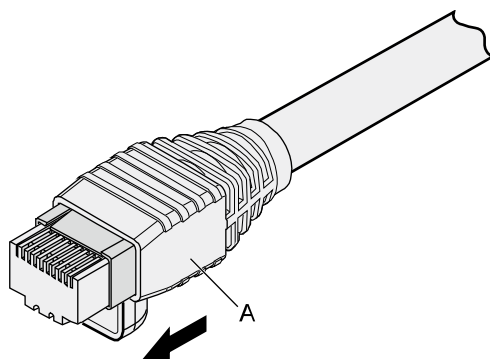
Step 9 Push the metal shell toward the connector body until the wire holder and the connector body are engaged completely. Crimp the connector, as shown in [Figure 5-26](#).

Figure 5-26 Crimping the connector



Step 10 Push the jacket towards the metal shell until the metal shell is covered. This completes the assembly of one end of the cable, as shown in [Figure 5-27](#).

Figure 5-27 Pushing the metal shell



Step 11 To complete the assembly of the other end, repeat [Step 1](#) through [Step 10](#).

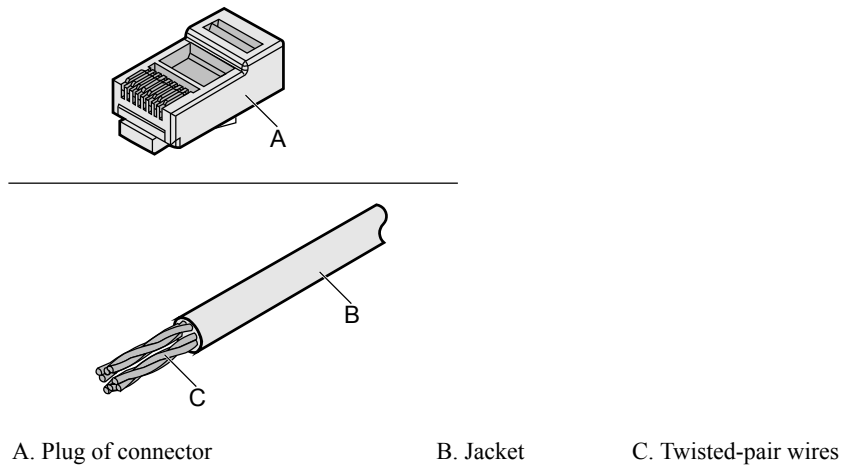
----End

Assembling an Unshielded RJ45 Connector and Ethernet Cable

Context

[Figure 5-28](#) shows the components of an unshielded RJ45 connector and cable.

Figure 5-28 Components of an unshielded RJ45 connector and cable



Procedure

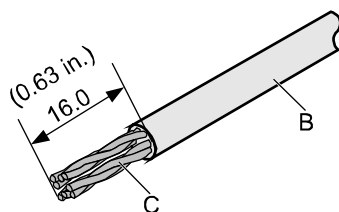
Step 1 Remove a 16-mm (0.63 in.) long section of the jacket, as shown in [Figure 5-29](#).



NOTICE

When you remove the shield layer, do not damage the insulation of the twisted-pair cable.

Figure 5-29 Removing the jacket of a twisted-pair cable (unit: mm (in.))



Step 2 Align the four pairs of wires and cut the ends neatly, as shown in [Figure 5-30](#). The connections between the wires and the pins are listed in [Table 5-6](#).

Figure 5-30 Connections between wires and pins (unit: mm (in.))

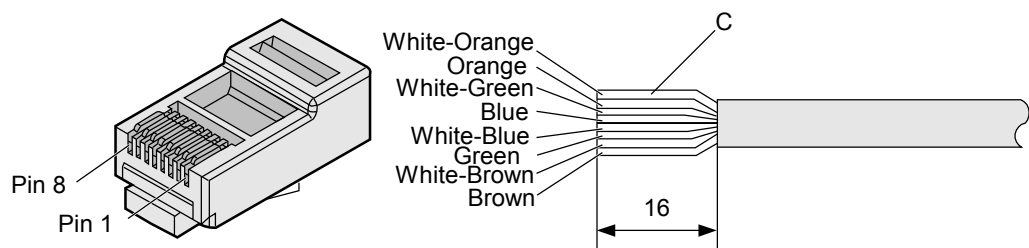


Table 5-6 Connections between wires and pins (using a straight-through cable as an example)

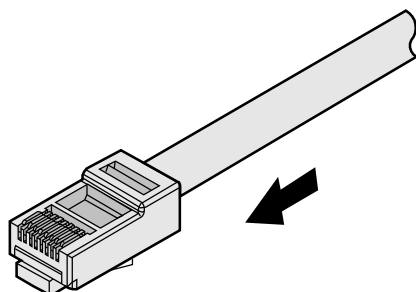
Matching Pins of Wires	Wire Color
1	White-Orange
2	Orange
3	White-Green
4	Blue
5	White-Blue
6	Green
7	White-Brown
8	Brown

Step 3 Feed the cable into the plug, and crimp the connector, as shown in [Figure 5-31](#).

 **NOTE**

When inserting the cable, check from the side or bore of the plug to ensure that the cable is completely seated in the plug.

Figure 5-31 Crimping the connector



Step 4 To complete the assembly of the other end, repeat [Step 1](#) through [Step 3](#).

---End

Checking the Appearance of Contact Strips

Context

- To ensure proper contact between the crimped wires and the wire conductors, the heights and sizes of the contact strips must be standard and the same.
- The contact strips must be parallel to each other, with an offset of less than $\pm 5^\circ$. The top margin of a strip must be parallel to the axis of the connector, with an offset of less than $\pm 10^\circ$.

- To ensure conductivity, the surface of the contact strips must be clean.
- The contact strips must be in good contact with the RJ45 socket. The plastic separators must remain intact and be aligned.
- The contact strip blade must extend beyond the ends of the wires. The ends of the wires must be in contact with the edge of the RJ45. The distance between them must be less than 0.5 mm (0.02 in.).

Procedure

- Step 1** Hold the crimped connector, with the front side facing you, and check whether the contact strips are of the same height. The height should be 6.02 ± 0.13 mm (0.237 ± 0.005). If a measuring tool is not available, you can compare the connector with a standard connector. **Figure 5-32** shows an unqualified piece, and **Figure 5-33** shows a qualified piece.

 **NOTE**

All unqualified pieces must be crimped again.

Figure 5-32 Contact strips of different heights



Figure 5-33 Contact strips of the same height



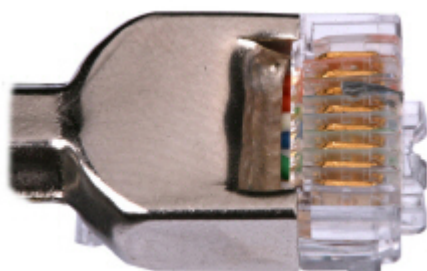
- Step 2** Hold an RJ45 connector and turn it 45°. Observe the top edges of the metal contact strips. **Figure 5-34** shows an unqualified piece.

Figure 5-34 Unparallel contact strips of different heights



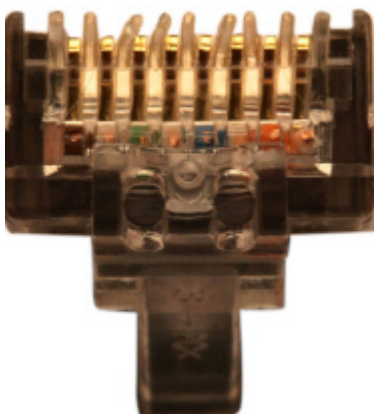
Step 3 Check whether the contact strips are clean. If they are not clean and the dirt cannot be removed, replace it with a new RJ45 connector. **Figure 5-35** shows an unqualified piece.

Figure 5-35 Dirt on a contact strip



Step 4 Check whether the contact strips and the plastic separators are well aligned and intact. If a separator is skewed and cannot be fixed, replace it with a new RJ45 connector. **Figure 5-36** shows an unqualified piece.

Figure 5-36 Skewed plastic separators



Step 5 Hold the connector with the side facing towards you, and check whether you can see the cross-sections of the wires. Ensure that the ends of the wires are in good contact with the edge

of the RJ45, and that the contact strip blade extends beyond the ends of the wires and is crimped with the wires. If not, replace the connector. [Figure 5-37](#) shows an unqualified piece.

Figure 5-37 Wires not in good contact with the edge of the RJ45



---End

Testing the Connection of Assembled Cables

Context

Huawei provides two types of Ethernet cables: straight-through cables and crossover cables.

- Straight-through cables are connected in a one-to-one manner. They are used to connect terminals such as a computer or switch to network devices. [Table 5-7](#) lists the connections of core wires in a straight-through cable.

Table 5-7 Connections of core wires in a straight-through cable

RJ45 Connector 1	RJ45 Connector 2	Core Wire Color	Twisted or Not
2	2	Orange	Twisted
1	1	Orange-White	
6	6	Green	Twisted
3	3	Green-White	
4	4	Blue	Twisted
5	5	Blue-White	
8	8	Brown	Twisted
7	7	Brown-White	

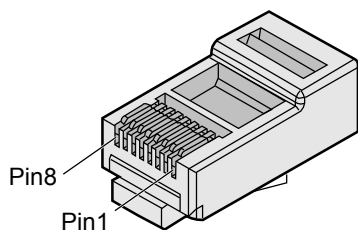
- Crossover cables are connected in a crossover manner. They are used to connect terminals such as two computers or switches. [Table 5-8](#) lists the connections of core wires in a crossover cable.

Table 5-8 Connections of core wires in a straight crossover cable

RJ45 Connector 1	RJ45 Connector 2	Core Wire Color	Twisted or Not
6	2	Orange	Twisted
3	1	Orange-White	
2	6	Green	Twisted
1	3	Green-White	
4	4	Blue	Twisted
5	5	Blue-White	
8	8	Brown	Twisted
7	7	Brown-White	

Figure 5-38 shows the pins of an RJ45 connector.

Figure 5-38 Pins of an RJ45 connector



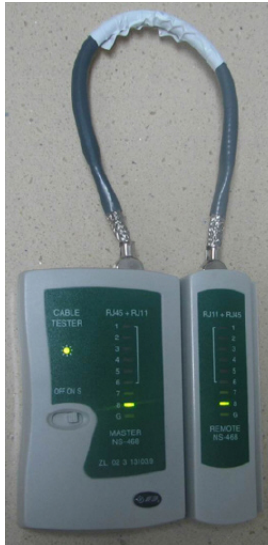
Procedure

- Step 1** Feed both connectors of the cable into the ports of the cable tester.
- Step 2** After the connectors are properly inserted, turn on the tester. If the indicators from 1 to G turn on simultaneously, you can infer that the pins work normally and the wires are correctly connected.

 **NOTE**

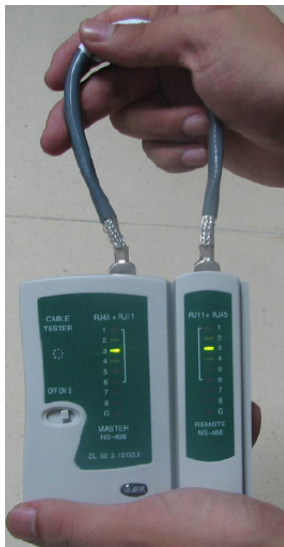
Turn the switch to the S position to slow down lighting of the indicators so that you can see the indicators more clearly, as shown in **Figure 5-39**.

Figure 5-39 Testing the conduction and connections of wires



Step 3 Gently shake the connector and repeat **Step 2** to check whether the metal contact strips are in good contact with the core wires and Ethernet ports, as shown in **Figure 5-40**.

Figure 5-40 Checking the reliability



The procedure for testing a crossover cable is the same as that for testing a straight-through cable except for the sequence in which the indicators turn on, which depends on the wire connections of a crossover cable.

The Ethernet cable is qualified if the indicators turn on in the following sequence:

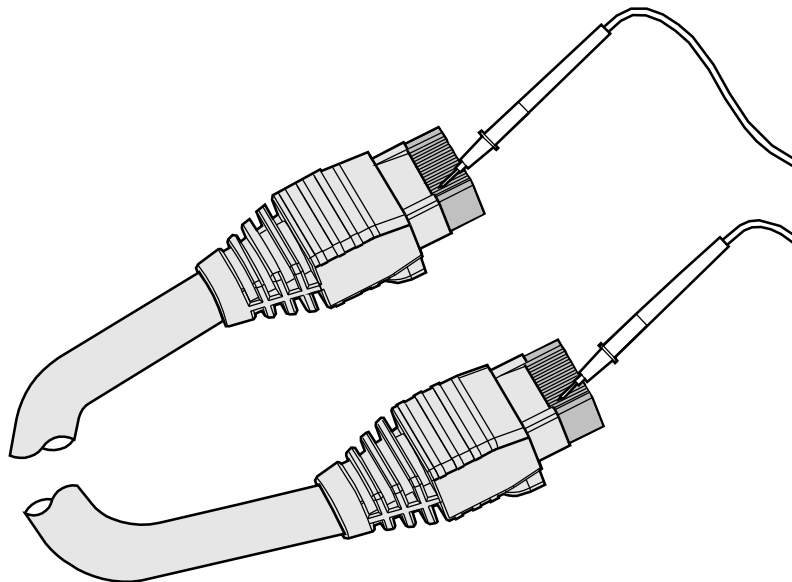
At the master (left) section of the tester, the indicators turn on in the sequence of 1-8-G. At the slave (right) section of the tester, the indicators turn on in the sequence of 3-6-1-4-5-2-7-8-G.

If the indicators do not come on in this sequence, the Ethernet cable is unqualified.

 **NOTE**

If a tester is not available, you can use a multimeter to perform a simple test, as shown in [Figure 5-41](#).

Figure 5-41 Testing the connection of an Ethernet cable



---End

5.1.4 Installing Cable Accessories

Precautions for Installing Cable Accessories

Tools

 **NOTE**

The illustrations in this document may differ from actual situations, but the installation methods are the same. For example, in this document, the adapters of cable connectors have separate interfaces. In the actual situation, the adapters may have interfaces fixed on equipment.

Use dedicated tools provided or specified by Huawei and follow the installation procedure described here.

Bending Radius

Unless otherwise specified, bending radius (R) of cables or fibers must meet the requirements listed in [Table 5-9](#).

Table 5-9 Bending radius of cables or fibers

Cable or Fiber	Bending Radius (R)
Ordinary cable	In normal cases, $R \geq 2d$. When the cable is connected with a connector, $R \geq 5d$.
Fiber	$R \geq 40$ mm (1.57 in.); Bending angle $> 90^\circ$

 **NOTE**

The letter d indicates the diameter of a cable or fiber.

Precautions for Installation

- Hold terminals of cables instead of pulling the cables themselves when installing or removing cable components.
- Do not insert a connector forcibly when the connector is blocked. Use a dedicated tool to pull out the connector. Install the connector again after you check that the pins are inserted properly.
- Before tightening screws on cable connectors, ensure that the connectors are properly connected to their adapters. Tighten the screw with appropriate force using a flat-head or Phillips screwdriver instead of bare hands or an electric screwdriver. If the screw cannot be screwed into the tapped hole, determine the reason and try again. Do not apply too much force, or the screw or adapter may be damaged.
- When removing densely aligned cables or fiber connectors, use dedicated pliers such as cable-pulling pliers and fiber-pulling pliers.
- Do not twist, bend, stretch, or extrude fibers during installation.
- Cover the idle fiber connectors with dust caps. Remove the dust caps before using the fiber connectors.

Requirements for Cable Routing

- To protect cables, remove the burrs in the cable through-holes or install protective rings in the holes.
- To ease the connection and to avoid stress, keep cable joints slack. After connecting multiple cables to a connector that has multiple interfaces, keep the cables slack to avoid generating stress.
- Bind or clean cables gently because cable distortion affects signal quality.
- Keep cables away from moveable components such as doors.
- Sharp objects must not touch cable wiring to prevent damage to cables.
- To protect power cables, route power cables of the active and standby power modules separately.

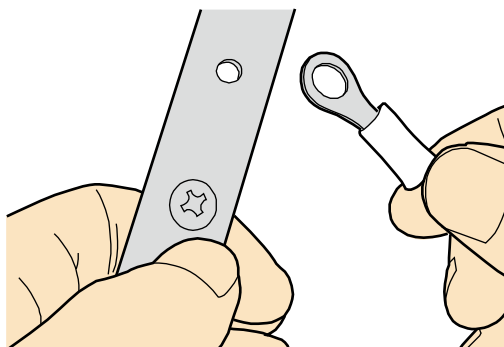
Installing Power Adapters

Installing the OT Terminal

Procedure

- Install an OT terminal.
 - a. Align the hole of the OT terminal (conductor upward) with a connecting hole, as shown in [Figure 5-42](#).

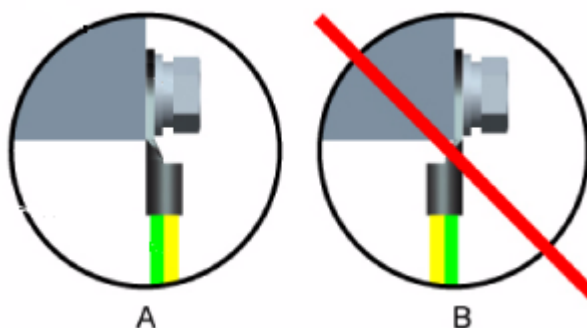
Figure 5-42 Aligning the OT terminal with a connecting hole



 **NOTE**

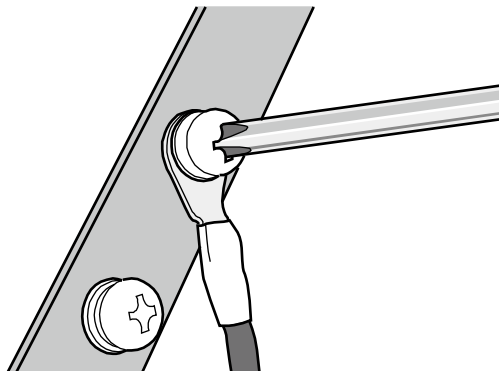
When you install an OT terminal, the crimping sleeve is installed as shown in [Figure 5-43](#), where A is correct and B is incorrect.

Figure 5-43 Installing an OT terminal, showing the orientation of crimping sleeve



- b. Place the spring washer and flat washer in turn, mount a matching screw, and fasten it clockwise, as shown in [Figure 5-44](#).

Figure 5-44 Installing two terminals back to back

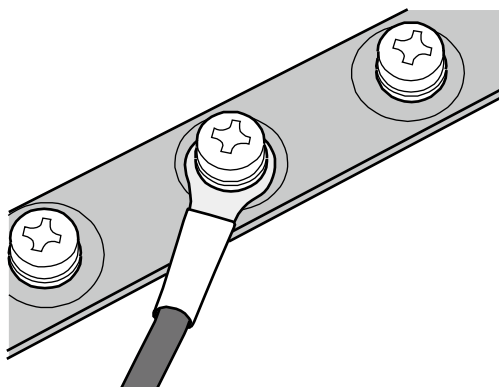


 **NOTICE**

Ensure that the OT terminal is not in contact with other terminals or metal components.

-
- c. Move the cable slightly and ensure that it is securely connected, as shown in [Figure 5-45](#).

Figure 5-45 Installed OT terminal



- Install two OT terminals on a post.

Before you install two OT terminals on a post, ensure that the two terminals can be installed on the post and that the electrical connecting pieces have a large contact area. Two OT terminals can be installed using any of these methods:

- Bend the upper OT terminal at a 45- or 90-degree angle, as shown in [Figure 5-46](#).
- Cross the two terminals, as shown in [Figure 5-47](#).

Figure 5-46 Bending the upper OT terminal at a 45- or 90-degree angle

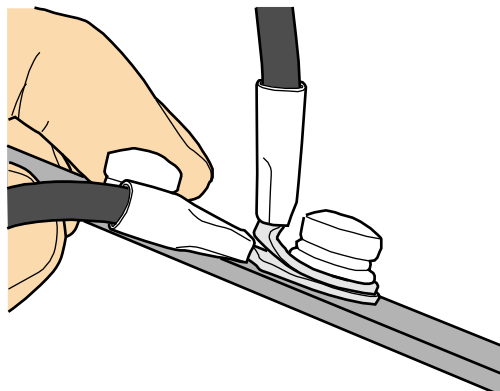
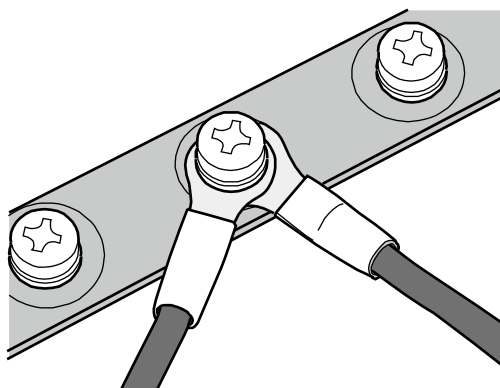


Figure 5-47 Crossing two terminals



 **NOTICE**

If the two terminals are different sizes, place the smaller one above the bigger one. A maximum of two terminals can be installed on a post.

- To remove an OT terminal, loosen the screw counterclockwise.

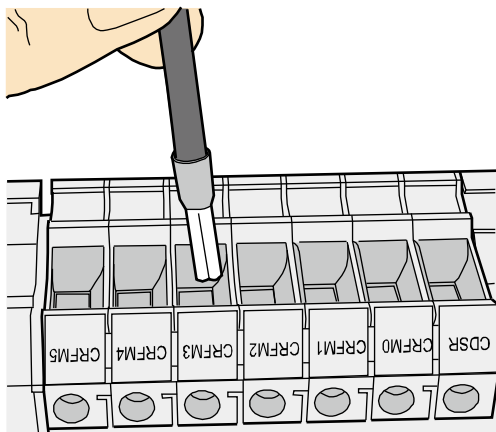
---End

Installing the Cord End Terminal

Procedure

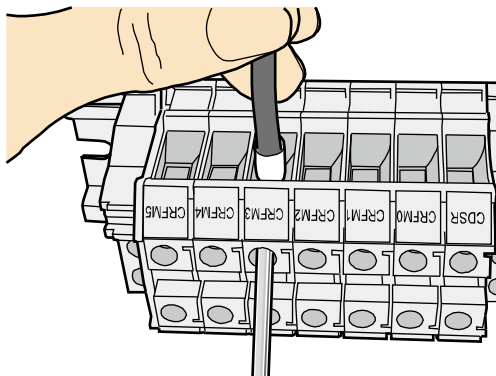
- Step 1** Hold a cord end terminal upright and place it on a terminal jack, as shown in [Figure 5-48](#). To ensure bump contact and dense connection, place the plain side of the terminal outwards.

Figure 5-48 Placing a terminal on a terminal jack vertically



Step 2 Insert the terminal into the jack vertically, and turn the screw clockwise to fasten the terminal, as shown in [Figure 5-49](#).

Figure 5-49 Feeding the terminal into the jack



NOTICE

- Ensure that the exposed section of the terminal is less than 2 mm (0.079 in.) in length.
- Do not press the insulation of the terminal.
- Insert only one terminal into one jack.

Step 3 Move the cable slightly and ensure that it is securely connected.

Step 4 Before you remove a cord end terminal, loosen the screw counterclockwise.

----End

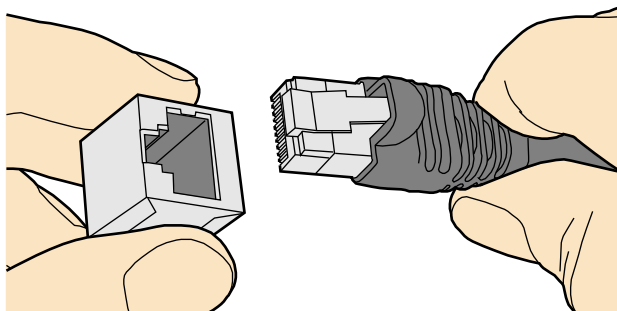
Installing Ethernet Adapters

Installing a Shielded Ethernet Connector

Procedure

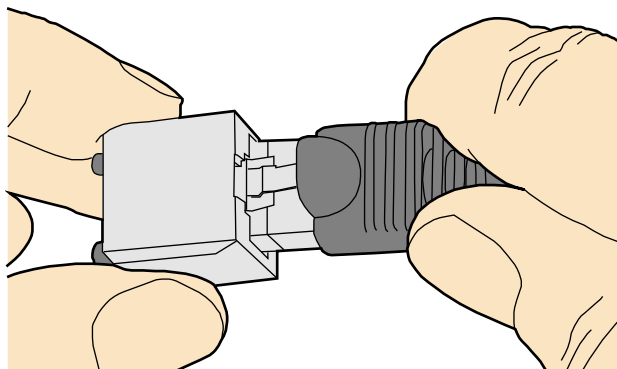
- Step 1** Hold the male and female connectors, with the male connector facing the female connector, as shown in [Figure 5-50](#).

Figure 5-50 Holding the male and female shielded connectors



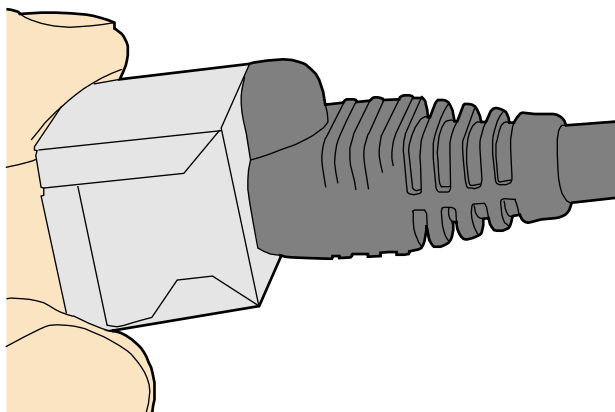
- Step 2** Insert the male connector into the female connector, as shown in [Figure 5-51](#).

Figure 5-51 Feeding the male shielded connector into the female shielded connector



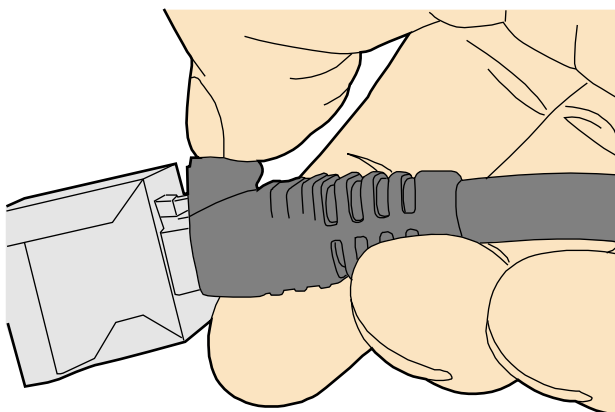
- Step 3** When you hear a click, the cable connector is completely inserted in the port. (The clip on the cable connector pops up to fix the connector in the port.) Pull the connector slightly and ensure that it is securely connected, as shown in [Figure 5-52](#).

Figure 5-52 Installed shielded Ethernet connector



Step 4 To remove an Ethernet connector, press the locking key and pull out the connector, as shown in [Figure 5-53](#).

Figure 5-53 Removing a shielded Ethernet connector



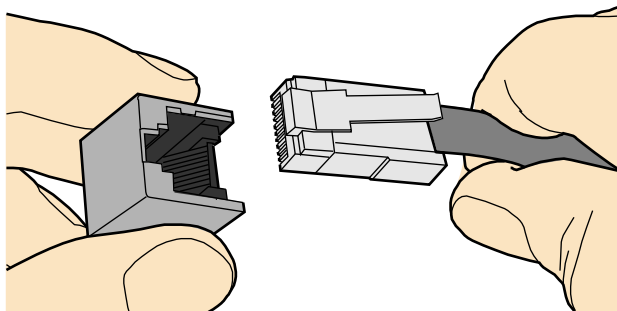
---End

Installing an Unshielded Ethernet Connector

Procedure

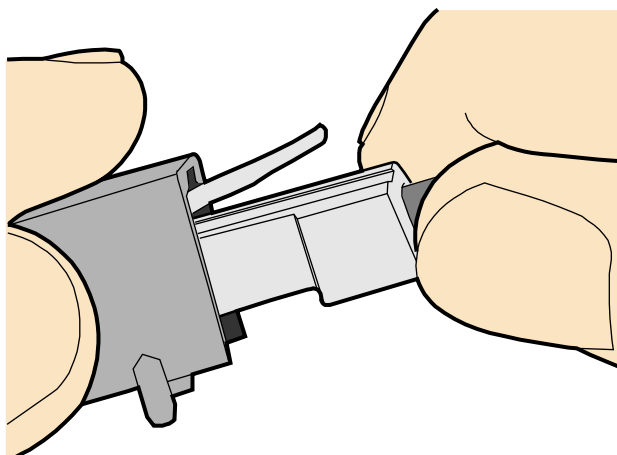
Step 1 Hold the male and female connectors, with the male connector facing the female connector, as shown in [Figure 5-54](#).

Figure 5-54 Holding the male and female unshielded connectors



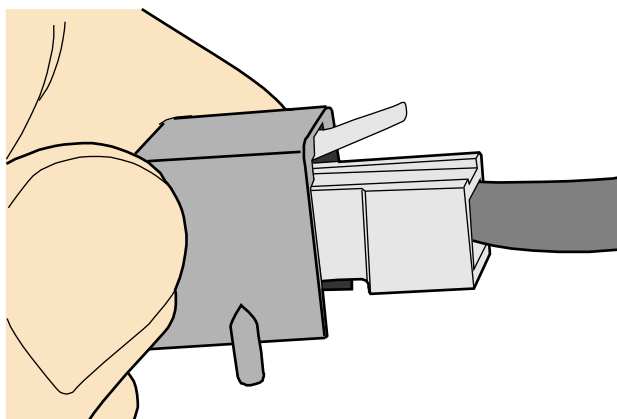
Step 2 Feed the male connector into the female connector, as shown in [Figure 5-55](#).

Figure 5-55 Feeding the male connector into the female unshielded connector



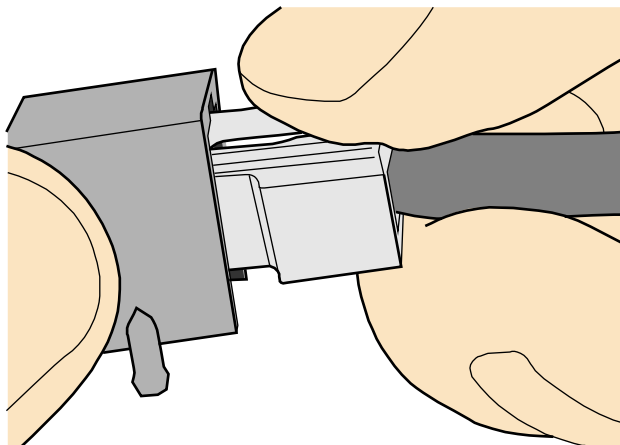
Step 3 A crisp click indicates that the connector is locked by the locking key. Pull the connector slightly and ensure that it is securely connected. [Figure 5-56](#) shows an installed Ethernet connector.

Figure 5-56 Installed unshielded Ethernet connector



- Step 4** To remove an Ethernet connector, press the locking key and pull out the connector, as shown in [Figure 5-57](#).

Figure 5-57 Removing an unshielded Ethernet connector



----End

Installing Fiber Connectors

Context



NOTICE

- After you remove the dustproof cap, ensure that the fiber pins are clean and install them as soon as possible.
 - When you disassemble fiber connectors, you must use a dedicated tool if the connectors are densely installed.
-

Cleaning Fiber Connectors

Procedure

- Step 1** Clean the pins of a fiber connector by using lint-free cotton and alcohol.
- Step 2** Clean the pins again by using dust-free cotton. If necessary, clean the pins by using an air gun. Ensure that the pins are free from any fiber or debris.

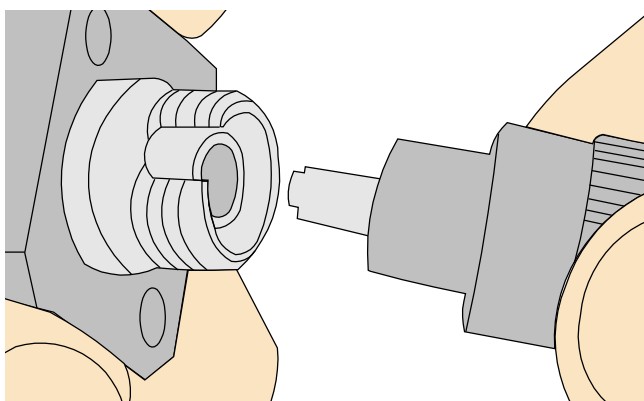
----End

Installing an FC Fiber Connector

Procedure

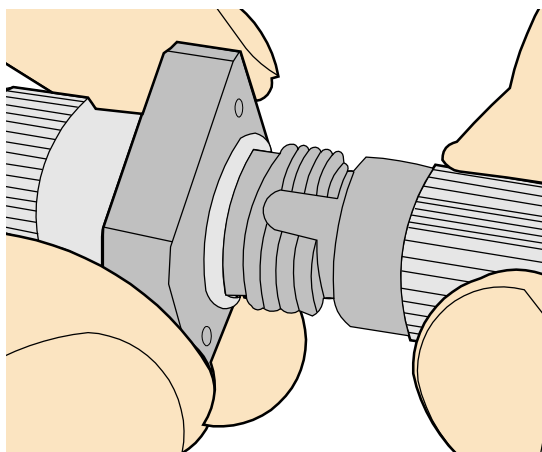
- Step 1** Remove the dustproof cap of the FC connector and store it for future use.
- Step 2** Align the core pin of the male connector with that of the female connector, as shown in [Figure 5-58](#).

Figure 5-58 Aligning the male connector with the female connector



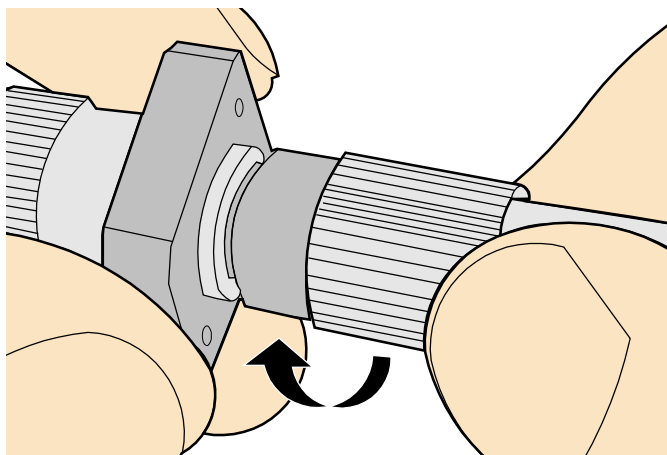
- Step 3** Align the male connector with the female connector and gently push the male connector until it is completely seated in the female connector, as shown in [Figure 5-59](#).

Figure 5-59 Feeding the male connector into the female connector



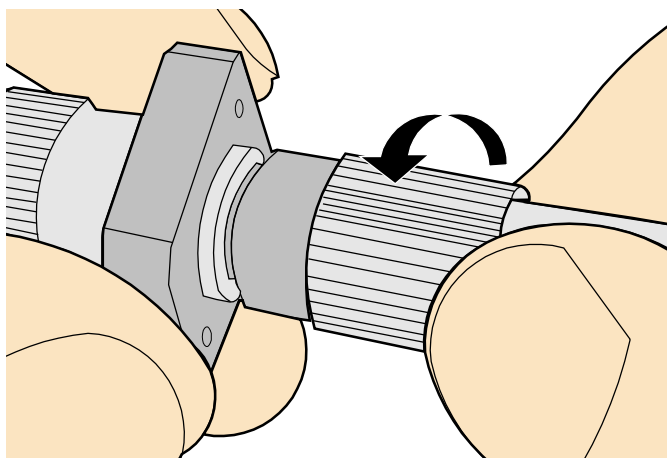
- Step 4** Fasten the locking nut clockwise and ensure that the connector is securely installed, as shown in [Figure 5-60](#).

Figure 5-60 Fastening the locking nut



Step 5 To disassemble an FC fiber connector, loosen the locking nut counterclockwise, and gently pull the male connector, as shown in [Figure 5-61](#).

Figure 5-61 Disassembling an FC fiber connector



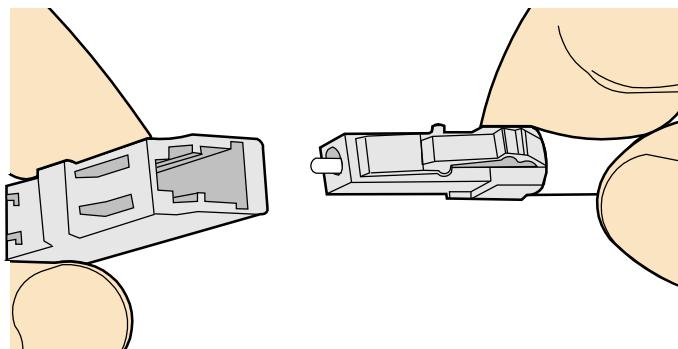
---End

Installing an LC Fiber Connector

Procedure

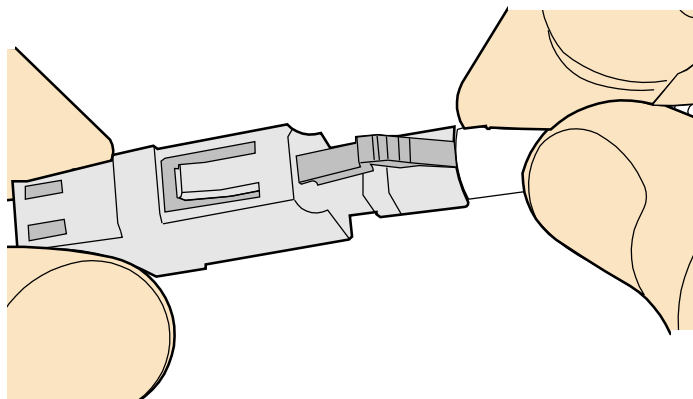
- Step 1** Remove the dustproof cap of the LC fiber connector and store it for future use.
- Step 2** Align the core pin of the male connector with that of the female connector, as shown in [Figure 5-62](#).

Figure 5-62 Aligning the male connector with the female connector



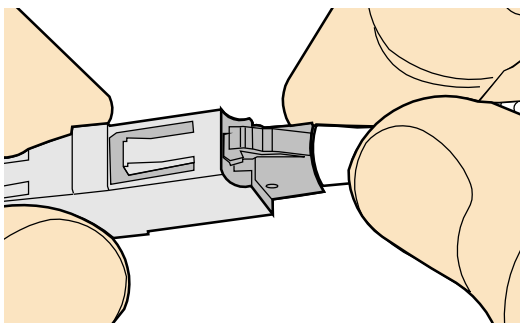
Step 3 Align the male connector with the fiber adapter and gently push the male connector until it is completely seated in the fiber connector, as shown in [Figure 5-63](#).

Figure 5-63 Feeding the male connector into the female connector



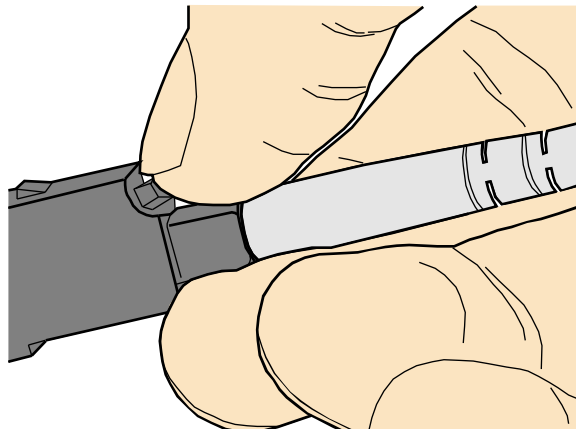
Step 4 A clicking sound indicates that the male connector is locked, as shown in [Figure 5-64](#).

Figure 5-64 Installed LC connector



- Step 5** To disassemble an LC fiber connector, press the locking nut to release the locking clips from the bore, and gently pull the male connector, as shown in [Figure 5-65](#).

Figure 5-65 Disassembling an LC fiber connector



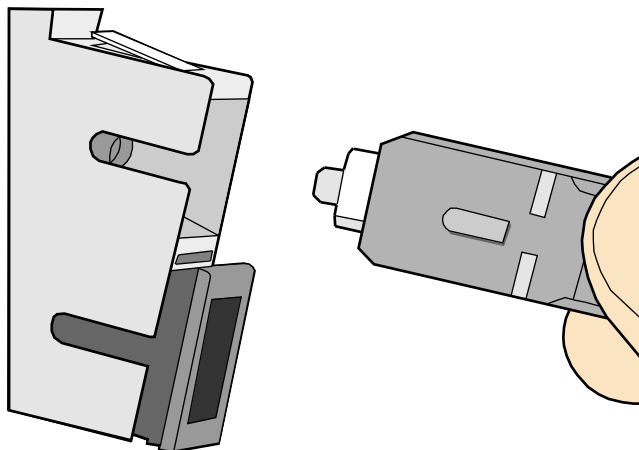
---End

Installing the SC Fiber Connector

Procedure

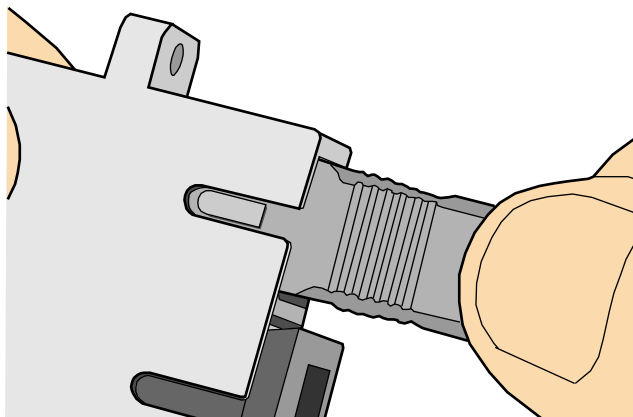
- Step 1** Remove the dustproof cap of the SC fiber connector and store it for future use.
- Step 2** Align the core pin of the male connector with that of the female connector, as shown in [Figure 5-66](#).

Figure 5-66 Aligning the male connector with the female connector



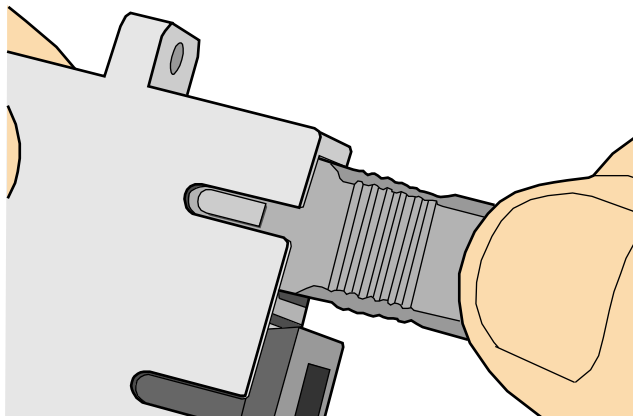
- Step 3** Feed the fiber connector into the female connector, with your fingers holding the shell of the fiber connector (not the pigtail). When you hear a click, the fiber connector is secured by the clips (internal parts, not illustrated in the figure). Pull the fiber connector gently. If the connector does not loosen, the installation is complete. See [Figure 5-67](#).

Figure 5-67 Installed SC fiber connector



- Step 4** To disassemble an SC fiber connector, hold the shell of the connector (do not hold the fiber) and gently pull the connector in the direction vertical to the adapter. Unlock the male connector, and then separate it from the shell, as shown in [Figure 5-68](#).

Figure 5-68 Disassembling an SC fiber connector



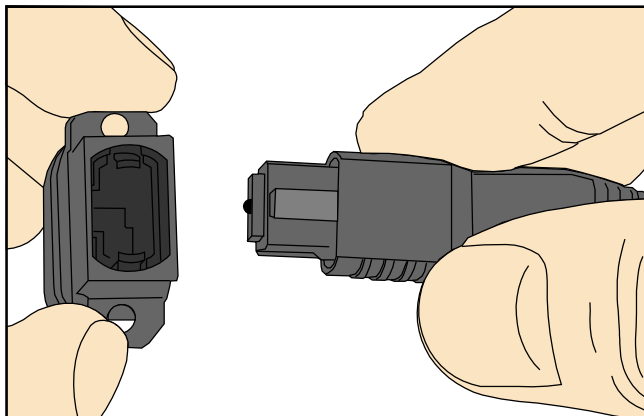
----End

Installing an MPO Connector

Procedure

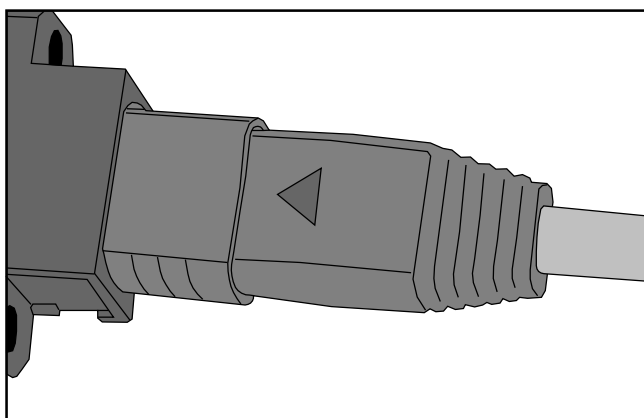
- Step 1** Remove the dustproof cap of the MPO fiber connector and store it for future use.
- Step 2** Align the core pin of the male connector with that of the female connector, as shown in [Figure 5-69](#).

Figure 5-69 Aligning the male connector with the female connector



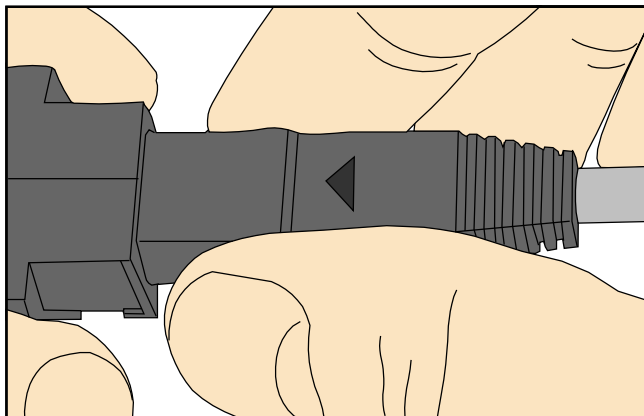
Step 3 Hold the shell labeled "PUSH" and feed the male connector into the female connector until you hear a clicking sound. The male and female connectors are securely installed, as shown in [Figure 5-70](#).

Figure 5-70 Installed MPO fiber connector



Step 4 To disassemble an MPO fiber connector, hold the shell labeled "PULL" and remove the male connector, as shown in [Figure 5-71](#).

Figure 5-71 Disassembling an MPO fiber connector



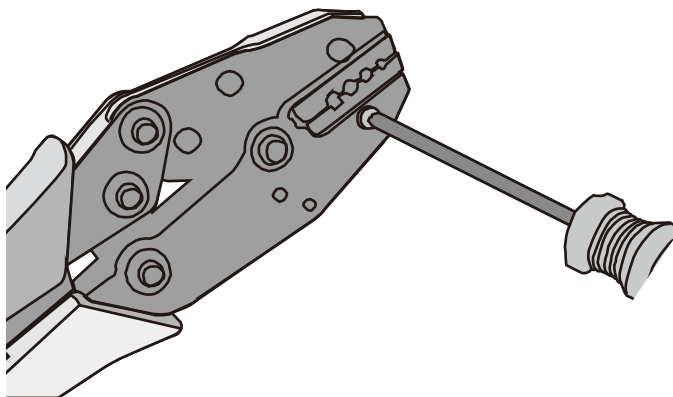
----End

5.1.5 Replacing the Mold of the Crimping Tool

Procedure

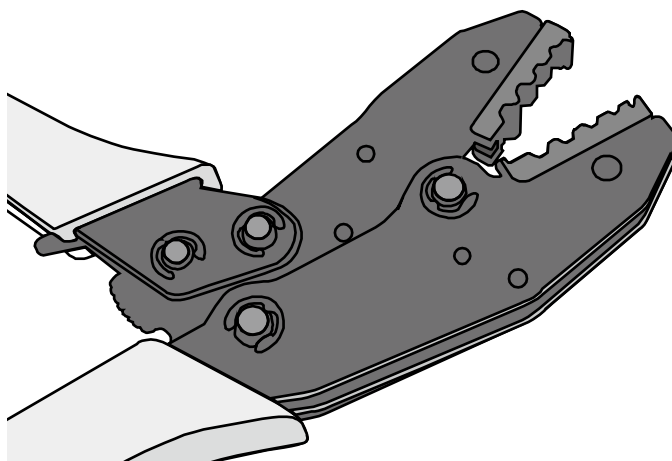
- Step 1** Hold the handles of a pair of COAX crimping tools. Loosen the two fastening screws counterclockwise, as shown in [Figure 5-72](#).

Figure 5-72 Loosening two fastening screws



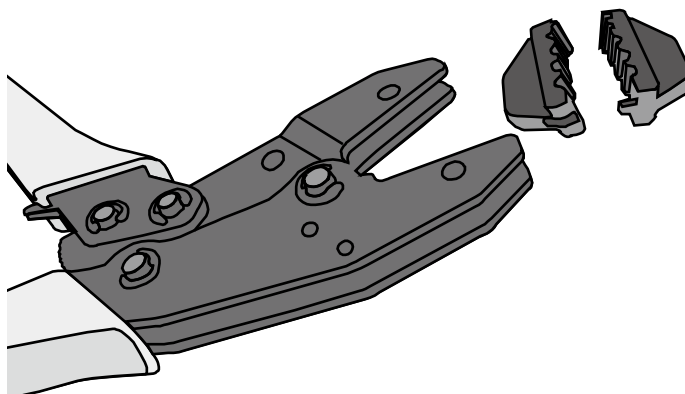
- Step 2** Hold the handles of the COAX crimping tools to open the self-locking mechanism. The jaw of the COAX crimping tools opens automatically, as shown in [Figure 5-73](#).

Figure 5-73 Pliers jaw opening automatically



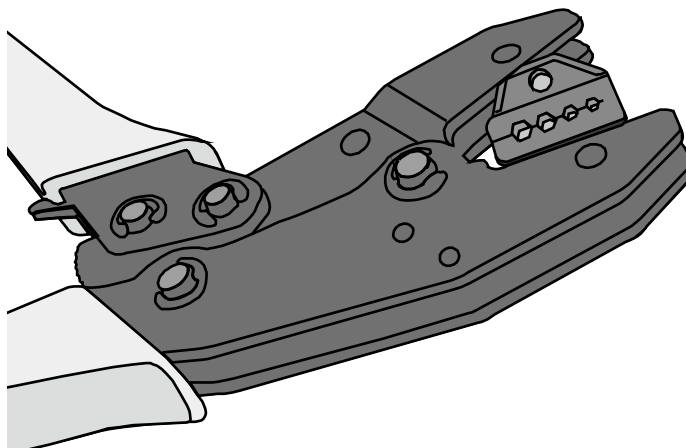
Step 3 Remove the mold from the COAX crimping tools, as shown in [Figure 5-74](#).

Figure 5-74 Removing the mold from the COAX crimping tools



Step 4 Place the mold to be installed into the jaw of the COAX crimping tools and align the screw holes, as shown in [Figure 5-75](#).

Figure 5-75 Installing a new mold in the COAX crimping tool

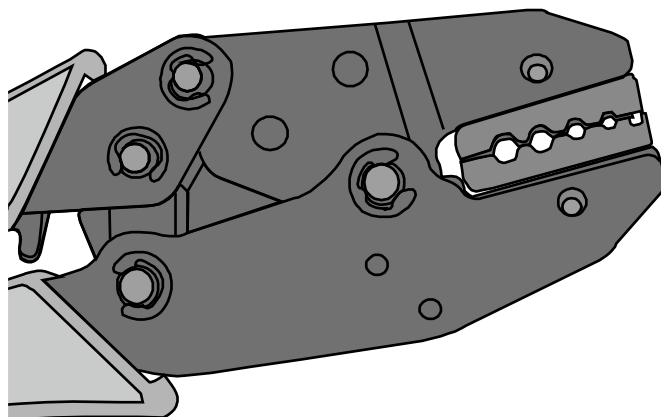


 **NOTICE**

Keep the short side of the mold inwards and the long side outwards, with the teeth of the mold aligning from the larger size to the smaller size.

- Step 5** Hold the handles of the COAX crimping tools tightly to match the mold and the jaw completely. Align the screw holes, as shown in [Figure 5-76](#).

Figure 5-76 Aligning the screw holes



- Step 6** Hold the handles of the COAX crimping tools with one hand. Tighten the two fastening screws clockwise. [Figure 5-77](#) and [Figure 5-78](#) shows the mold installed in the COAX crimping tool.

Figure 5-77 Mold installed in the COAX crimping tool

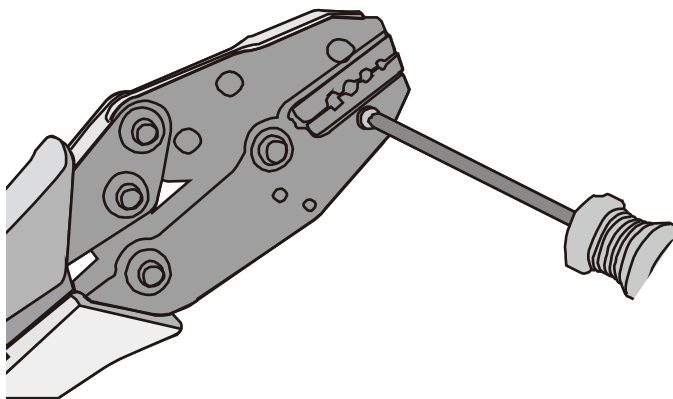
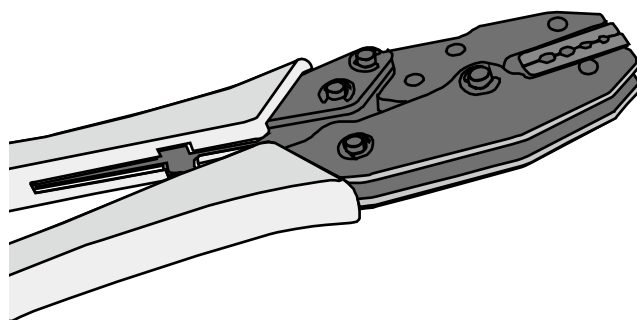


Figure 5-78 An installed mold



----End

5.2 Environmental Requirements for Device Operation

5.2.1 Environmental Requirements for an Equipment Room

Requirements for Selecting a Site for an Equipment Room

When designing a project, consider the communication network planning and technical requirements of the equipment. Also consider hydrographic, geological, seismic, power supply, and transportation factors.

Construction, structure, heating and ventilation, power supply, lighting and fire-proof construction of the equipment room should be designed by specialized construction designers to suit the environmental requirements of devices. The equipment room should also follow local regulations concerning the industrial construction, environmental protection, fire safety, and civil air defense. Construction must conform to government standards, regulations, and other requirements.

The equipment room should be located in a place free from high temperature, dust, toxic gases, explosive materials, or unstable voltage. Keep the equipment room away from significant vibrations or loud noises, as well as power transformer stations.

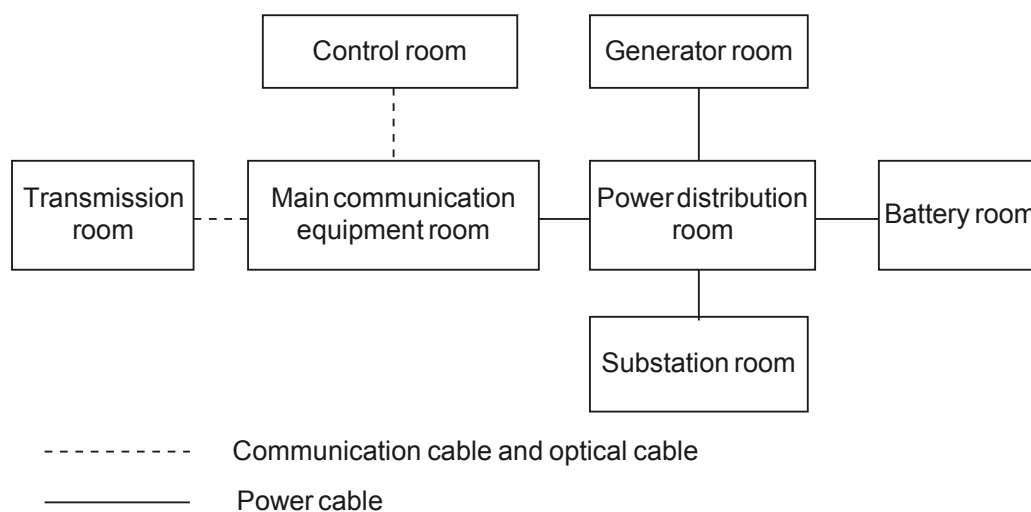
The specific requirements for selecting a site for an equipment room are as follows:

- The room should be located at a distance of at least 5 km (3.11 mi.) from heavy pollution sources such as smelting and coal mines. It should be located at a distance of at least 3.7 km (2.30 mi.) from moderate pollution sources such as chemical, rubber, and galvanization factories. It should be located at a distance of at least 2 km (1.24 mi.) from light pollution sources such as packinghouses and tanyards. If these pollution sources cannot be avoided, ensure that the equipment room is upwind of the pollution sources. In addition, use a high-quality equipment room or protection products.
- The room should be located away from livestock farms, or be upwind of the livestock farms. Do not use an old livestock room or fertilizer warehouse as the equipment room.
- The equipment room must be far away from residential areas. An equipment room that is not far away from residential areas must comply with equipment room construction standards to avoid noise pollution.
- The room should be located far away from industrial and heating boilers.
- The room should be at least 3.7 km (2.30 mi.) away from the seaside or salt lake. Otherwise, the equipment room should be airtight with cooling facilities. In addition, alkalized soil cannot be used as the construction material. Otherwise, equipment suitable for wet conditions must be used.
- The doors and windows of the equipment room must be kept closed to maintain an airtight room.
- Using steel doors to ensure sound insulation is recommended.
- No cracks or openings are allowed on the walls or floors. The outlet holes on the walls or windows must be sealed. Walls must be constructed such that they are smooth, wear-resistant, dustproof, flame retardant, sound insulated, heat absorptive, and have electromagnetic shielding.
- The air vent of the room should be far from the exhaust of city waste pipes, big cesspools and sewage treatment tanks. The room should be in the positive pressure state to prevent corrosive gases from entering the equipment room and corroding components and circuit boards.
- It is recommended that the room be on or above the second floor. If this requirement cannot be met, the ground for equipment installation in the room should be at least 600 mm (23.62 in.) above the maximum flood level.
- The equipment room should be strong enough to resist winds and downpours.
- The room should be located away from dusty roads or sand. If this is unavoidable, the doors and windows of the equipment room must not face pollution sources.
- Do not place air conditioning vents near the equipment so that they blow directly on the equipment because condensation may be blown into the equipment.
- Do not use decorative materials that contain sulfur in the equipment room.

Equipment Room Layout

An equipment room usually contains mobile switching equipment, telecommunications equipment, power supply equipment, and other auxiliary equipment. To ensure easy maintenance and management, place the equipment in different rooms. [Figure 5-79](#) shows the layout of the equipment room.

Figure 5-79 Layout of the equipment room



The general layout principles of the equipment room are as follows:

- It should meet requirements for laying out and maintaining communication cables and power cables.
- It should reduce the cabling distance, which facilitates cable maintenance, reduces potential communication faults, and maximizes efficiency.

Construction Requirements for the Equipment Room

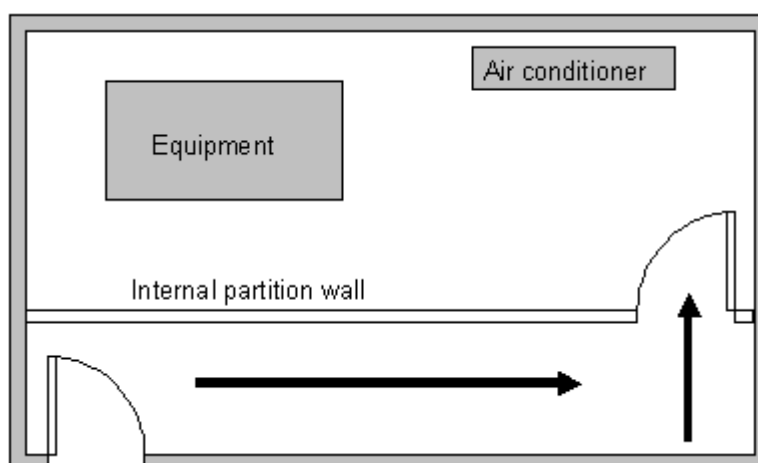
Table 5-10 describes the construction requirements for the equipment room.

Table 5-10 Construction requirements for the equipment room

Item	Requirements
Area	The smallest area of the equipment room can accommodate the equipment with the largest capacity.
Net height	The minimum height of the equipment room should not be less than 3 m (9.84 ft). The minimum height of the equipment room is the net height below overhead beams or ventilation pipes.
Floor	The floor in the equipment room should be semi-conductive and dustproof. A raised floor with an ESD covering is recommended. Cover the raised floor tightly and solidly. The horizontal tolerance of each square meter should be less than 2 mm (0.08 in.). If raised floors are unavailable, use a static-electricity-conductive floor material, with a volume resistivity of 1.0×10^7 ohms to 1.0×10^{10} ohms. Ground this floor material or raised floor. You can connect them to ground using a one megohm current-limiting resistor and connection line.
Load-bearing capacity	The floor must bear loads larger than 150 kg/m^2 (0.21 bf/in.^2).

Item	Requirements
Door and windows	The door of the equipment room should be 2 m (6.56 ft) high and 1 m (3.28 ft) wide. One door is enough. Seal the doors and windows with dustproof plastic tape. Use double-pane glass in the windows and seal them tightly.
Wall surface treatment	Paste wallpaper on the wall or apply flat paint. Do not use pulverized paint.
Cable trays	Use cable trays to arrange cables. The inner faces of the cable trays must be smooth. The reserved length and width of the cable trays, and the number, position and dimensions of the holes must comply with the requirements of device arrangement.
Water pipe	Do not pass service pipes, drainpipes, and storm sewers through the equipment room. Do not place a fire hydrant in the equipment room, but place it in the corridor or near the staircase.
Internal partition wall	Separate the area where the equipment is installed from the equipment room door. The partition wall can block some outside dust.
Installation position of the air conditioner	Install air conditioner vents so that the air does not blow directly on equipment.
Other requirements	Avoid the proliferation of mildew, and keep out rodents (like mice).

Figure 5-80 Internal partition wall inside the equipment room



Equipment Room Environment

Dust on devices may cause electrostatic discharge and result in poor contact for connectors or metal connection points. This problem can shorten the life span of devices and cause faults.

The equipment room must be free from explosive, conductive, magnetically-permeable, and corrosive dust. **Table 5-11** lists the requirement for dust concentration in the equipment room.

Table 5-11 Requirements for dust particles in the equipment room

Mechanical active material	Unit	Concentration
Dust particle	Particle /m ³	≤ 3x 10 ⁴ (no visible dust accumulated on a workbench in three days)
Suspending dust	mg/m ³	≤0.2
Precipitable dust	mg/m ² ·h	≤1.5
Description <ul style="list-style-type: none"> ● Dust particle diameter ≥ 5 μm ● Suspending dust diameter ≤ 75 μm ● 75 μm ≤ precipitable dust diameter ≤ 150 μm 		

Take the following measures to meet the requirements:

- Use dustproof materials for ground, wall, and ceiling construction.
- Use screens on the door and windows facing outside. The outer windows should be dust-proof.
- Clean the equipment room regularly and clean the air filter monthly.
- Wear shoe covers and ESD clothing before entering the equipment room.

Requirements for Corrosive Gases

The room should be free from dusts and corrosive gases, such as SO₂, H₂S, and NH₃. **Table 5-12** lists the requirements for the corrosive gas concentration.

Table 5-12 Requirements for corrosive gas concentration

Chemical active material	Unit	Concentration
SO ₂	mg/m ³	≤0.20
H ₂ S	mg/m ³	≤0.006
NH ₃	mg/m ³	≤0.05
Cl ₂	mg/m ³	≤0.01

Take the following measures to meet the requirements:

- Avoid constructing the room near a place where the corrosive gas concentration is high, such as a chemical plant.
- Ensure the air intake vent of the room is in the prevailing upwind direction from any pollution source.
- Place batteries in different rooms.
- A professional service should monitor the corrosive gas conditions regularly.

Requirements for ESD Prevention

The absolute value of electrostatic voltage must be less than 1000 V.

Take the following measures to meet this requirement:

- Train operators about ESD prevention.
- Keep the correct humidity level in the equipment room to reduce the impact of static electricity.
- Lay out an ESD floor in equipment rooms.
- Wear ESD shoes and clothing before entering equipment room.
- Use ESD tools, such as wrist straps, tweezers, and pullers.
- Ground all conductive materials in the room, including computer terminals. Use ESD worktables.
- Keep non-ESD materials (such as common bags, foam, and rubber) at least 30 cm (11.81 in.) away from boards and ESD-sensitive components.

Electromagnetism Requirements for the Equipment Room

All interference sources, inside or outside the equipment room, can cause equipment problems with capacitive coupling, inductive coupling, electromagnetic wave radiation, and common impedance (including grounding system) coupling. Prevent the interference using these approaches:

- Take effective measures against electrical interference from the power supply system.
- Do not use the working ground of the equipment as the same ground for surge protection. Separate them as far as possible.
- Keep the equipment far away from high-power radio transmitters, radar units, and high-frequency and high-current equipment.
- Use electromagnetic shielding if necessary.

Requirements for Lightning Proof Grounding

Table 5-13 lists the requirements for lightning proof grounding.

Table 5-13 Requirements for lightning proof grounding

Item	Requirements
Capital construction	<ul style="list-style-type: none"> ● Use reinforced concrete to construct the equipment room. ● Install a lightning proof device like a lightning rod outside the room. ● The lightning proof ground shares the same grounding body with the protective ground of the room.

Item	Requirements
Power cables leading in the equipment room need to be equipped with a surge protector	<ul style="list-style-type: none"> ● After the low-voltage power cables are led into the room, install the surge protector for the power cables in the AC voltage stabilizer and the AC power distribution panel (box). Correctly ground the surge protector nearby. ● For an equipment room in urban area, install a power supply surge protector with the nominal discharge current of no less than 20 kA. For an equipment room that is built in a suburb and subject to lightning strikes, install a power supply surge protector with the nominal discharge current of more than 60 kA. For an equipment room that is built in a mountain area and subject to frequent lightning strikes, or in a separate high-rise building in a city, install a power supply surge protector with the nominal discharge current of more than 100 kA. ● The ground cable of the surge protector should be no longer than 1 m (3.28 ft).
Grounding for DC power distribution	<ul style="list-style-type: none"> ● Connect the DC working ground (positive pole of the -48 V DC power supply or the negative pole of the 24 V DC power supply) with the indoor collective ground cable nearby. The total ground cable should meet the maximum load of the equipment. ● The power equipment must have a DC working ground cable, which can connect the power equipment to the collective ground cable of the telecommunication site (or the protective ground bar of the equipment room).
Equipotential connection	<ul style="list-style-type: none"> ● Properly ground the devices and auxiliary devices in the room such as mobile base station, transmission, switching equipment, power supply equipment, and cable distribution frame. Connect all PGND cables to the collective protective ground bar. Connect all PGND cables in one equipment room to one protective ground bar. ● Apply joint grounding to the working ground and protective ground of devices, which means the two share one grounding network. ● The cable tray, rack or shell, metal ventilation pipe, metal door or window of the equipment should be grounded for protection.
General requirements for grounding	<ul style="list-style-type: none"> ● Do not connect the neutral line of the AC power cable with the protective ground of any telecom equipment in the equipment room. ● Do not install a fuse or switch on the ground cable. ● All ground cables should be as short as possible, and arranged in a straight line.
Grounding resistance	<ul style="list-style-type: none"> ● The grounding resistance must be lower than 1 ohm. ● The upper end of the grounding body should be at least 0.7 m (2.30 ft) over the ground. In cold areas, bury the grounding body below the frozen ground. ● Measure the grounding resistance periodically to ensure effective grounding.

Item	Requirements
Routing of signal cable	<ul style="list-style-type: none"> ● Do not arrange the signal cables overhead in the equipment room. All signal cables must be led into the site underground. ● Use the cables with a metal jacket or place them into a metal pipe if they come out/in the equipment room. ● Ground the idle lines inside the cable in the equipment room. ● Signal cables should be deployed on internal walls. Do not deploy outdoor aerial cables. ● Keep signal cables away from power cables and surge protection devices.
Collective ground cable	<ul style="list-style-type: none"> ● Use a ground ring or ground bar for the collective ground cable. ● Do not use aluminum cables as ground cables. Adopt measures to prevent electrification corrosion when connecting different metal parts together. ● Use a copper busbar as the collective ground cable with a cross-sectional area of no less than 120 mm² (0.19 in.²), or use the galvanized flat steel of the same resistance. Insulate the collective ground cable from the reinforcing steel bars of the building.
Grounding lead-in	<p>The grounding lead-in should be a maximum of 30 m (98.42 ft) long. Use the galvanized flat steel with cross-sectional area of 40 mm x 4 mm (1.58 in. x 0.158 in.) or 50 mm x 5 mm (1.97 in. x 0.197 in.).</p>

Item	Requirements
Grounding of the cabinet	<ul style="list-style-type: none"> ● All the devices including the surge protection device in the cabinet must be connected in an equipotential manner. The ground cables can be aggregated to the ground bar or surge protector socket first, and then the ground bar or surge protector socket can be connected to the ground. ● The resistance between the device ground terminals and ground bar cannot exceed 0.1 ohm. ● The cabinet can be grounded using the protecting earthing (PE) wire of the electrical network in the building, zinc-coated angle steel, or the main steel bar of the building. ● If the cabinet is grounded using the PE wire of the electrical network, use a multimeter to test the grounding status. If the voltage between the PE wire and neutral wire is lower than 5 V and the voltage between the PE wire and live wire is about 220 V, the PE wire is grounded well. If the tested AC voltages are not within the ranges, the cabinet must be grounded in other ways. ● The yellow-green ground cable contains multiple copper wires. The cross-sectional area of the ground cable must be no less than 6 mm² (0.0093 in.²) and the length cannot exceed 3 m (9.84 ft.). ● Ground cables cannot be twisted with signal cables. ● Antirust and anticorrosion measures must be taken on the ground terminals. ● The fiber reinforcing rib can be directly connected to the ground bar of the cabinet. Before wrapping the reinforcing rib with insulation tape, cut a 0.5 m (1.64 ft.) segment from the reinforcing rib. Wrap the reinforcing rib with at least five layers of insulation tape. Keep the reinforcing rib at least 5 cm (1.969 in.) from the cabinet surface.

5.2.2 Requirements for Power Supply

Requirements for AC Power Supply

An AC power supply system consists of power mains, uninterruptible power supplies (UPSs), and self-supplied electric generators. In addition to meeting the requirements of the server load, the AC power supply must have a simple connection line, safe operation, flexible scheduling, and easy maintenance.

The low-voltage power supply should be 3-phase, 5-wire mode or monophas 3-wire mode. This AC power supply should be 110 V/220 V, with a frequency of 50 Hz.

The UPS should supply the same power and operate at the same phase as the power mains. The switching time between the UPS and mains should be less than 10 ms; otherwise, the networking devices will reboot or reset.

For power distribution capacity in the equipment room, both the working current and fault current of the devices should be considered. Ensure that independent AC power supplies

protect independent devices. Configure the current-carrying capacity of the protection switch of the equipment room for more than that of the devices.

Table 5-14 lists the voltage range of the AC power supply for the devices.

Table 5-14 Voltage range of AC power supply

Item	Requirements
AC power capacity to support the devices	-10% to +5% of the rated voltage
AC power capacity to support the power modules and important buildings	-15% to +10% of the rated voltage
Frequency of alternating current	-4% to +4% of the rated value
Voltage wave shape sine distortion	Within 5% of the rated voltage

The automated electric generator must have a standard interface that supports telecommunication protocols, remote telecommunication, monitoring, and control.

AC power cables should meet the following specifications:

- AC neutral should have a conductor with the same cross section as the phase line.
- AC cables should have non-flammable insulation. The layout of AC cables should comply with local regulations. Low-voltage power distribution rooms should comply with local regulations.

Recommendations for AC Power Supply

The following are recommendations for the AC power supply.

- If the voltage of the power mains that supply power directly to devices exceeds the rated voltage by -10% to 5%, or exceeds the voltage range that devices can support, a voltage regulating device or voltage stabilizing device is required.
- If the mains do not supply power for the device directly, or if the mains voltage exceeds the rated voltage by -15% to 10% or exceeds the input voltage range of the DC power supply, a voltage regulating device or voltage stabilizing device is required.
- A UPS or inverter power supply system is required to provide uninterrupted AC power to support the telecommunication load.
- If abnormalities occur on the mains, telecommunication servers should be equipped with a self-supplied electric generator to support the key telecommunication load. The capacity should be not less than 150% to 200% of the total uninterruptible power supply.
- Storage batteries are usually installed in a parallel connection of two groups. UPS storage batteries are generally installed in one group. The redundancy required for the UPS can rely on concatenation or parallel connection. When an inverter or a UPS is used, the active inverter is determined by the maximum power and a backup inverter is required.

Requirements for DC Power Supply

The equipment room should receive stable and reliable DC power. Deploy the power equipment near the telecommunications equipment to make the DC feeder as short as possible. To reduce power consumption and installation cost, the loop voltage drop from the battery port to the equipment port should be less than 3.2 V.

- A large-scale enterprise can deploy an independent power supply system on each floor to supply power to the telecommunications equipment room on the respective floor.
- A medium-scale enterprise can use a power room and a battery room for centralized power supply or use distributed power supply systems.
- A small-scale enterprise can deploy an integrated power supply system in its equipment room but must take measures to prevent corrosive gases released from batteries from eroding circuit boards of telecommunications equipment.

Table 5-15 lists the specifications for the DC power supply.

Table 5-15 Specifications for the DC power supply

Item	Requirements
DC power capacity to support the surge current	Greater than 1.5 times the rated current
Regulated voltage precision	If the AC input voltage is in the range of 85% to 110% of the rated value, and the load current is in the range of 5% to 100% of the rated value, the output voltage of the rectifier ranges from -46.0 V to -56.4 V, with the regulated voltage precision less than or equal to 1%.
Overshoot amplitude of switch on/off	Integral value of the DC output voltage $\pm 5\%$
Peak noise voltage	≤ 200 mV
Dynamic response	The recovery time is less than 200 ms. The overshoot is in the range of the integral value of the DC output voltage $\pm 5\%$.

Recommendations for DC Power Supply

The following are recommendations for the DC power supply.

- Use distributed power supply mode. Use multiple DC power supply systems and put power equipment in multiple locations.
- Adopt a standard DC power supply system, and set the output voltage to the communications equipment within the required range.
- Improve reliability of the AC power supply system to reduce the necessary capacity of storage batteries. For small offices, increase the capacity of storage batteries if it is difficult to enhance reliability of the AC power supply system.

- The total capacity of the high-frequency switching rectifier must satisfy the power of the communication loading and battery charging. If there are 10 or fewer active rectifier modules, configure one backup module. If there are more than 10 active modules, configure one backup module for every 10 active modules.
- Install storage batteries in two or more groups. The capacity is determined by the duration for which the storage batteries must supply power. For most offices, the batteries should be able to supply power for at least one hour.

5.3 Equipment Grounding Specifications

5.3.1 General Grounding Specifications

Table 5-16 shows the general grounding specifications.

Table 5-16 General grounding specifications

No.	Description
1	The working ground and protective ground, including the shielded ground and the lightning-proof ground of the cable distribution frame should share the same grounding conductor.
2	The cable trays, shells, metal ventilation pipes, metal doors and windows in the equipment room should be grounded for protection.
3	The metal parts of the equipment which are electrically floating in normal conditions should be grounded for protection.
4	The ground cable must be connected securely to the protective ground bar of the equipment room.
5	Do not use other equipment as part of the ground cable or electrical connection.

5.3.2 Grounding Specifications for an Equipment Room

The grounding resistance of a comprehensive communication building should be less than or equal to one ohm. The grounding resistance of an ordinary communication office should be less than five ohms. The grounding resistance in an area where the earth resistance rate is high should be less than 10 ohms.

5.3.3 Grounding Specifications for Devices

Table 5-17 lists the equipment grounding specifications.

Table 5-17 Equipment Grounding Specifications

No.	Description
1	All communication devices and auxiliary devices (such as mobile base stations, transmission and switching devices, power supply devices) in the equipment room should be grounded for protection. Connect all protective ground for various devices jointly to a general ground bar, and then to the same protective ground bar in the room together with the protective ground (PGND) of the device.
2	The PGND of the equipment is shorted to the copper ground bar provided by the customer. The short-circuiting cable used should be a yellow-green plastic insulated cable with a copper core and a cross-sectional area greater than 25 sq. mm (0.039 sq. in.).
3	There are grounding terminals and grounding lugs at the lower part of the front door, rear door and side panel of the cabinet, connected to the grounding terminals of the cabinet framework through connection cables with cross-sectional area of no less than 1.6 sq. mm (0.002 sq. in.).
4	Ensure that all metal components of the cabinet conduct well. No insulating coating should be sprayed on the connection part of the metal components.
5	Connect the cabinets in the same row by fastening captive screws and gaskets on the top of the cabinets. Do not spray any coating into a rectangular area measuring 30 mm x 50 mm (1.18 in. x 1.97 in.) around the connection hole for a captive bolt. Measures to prevent rust and corrosion must be taken for this area. Zinc electroplating with iridescent yellow chromate conversion coating should be applied to the gasket and nut to ensure good electrical contact.
6	When combining cabinets of the same type, short-circuiting cables are required to connect the ground busbars (if any) of the cabinets. The cross-sectional area of the short-circuiting cable is 6 sq. mm (0.009 sq. in.) and is no more than 300 mm (11.8 in.) long. Connect the two ends of the short-circuiting cable to the ground busbar terminals of neighboring cabinets and fix them firmly.

5.3.4 Grounding Specifications for Communications Power Supply

Table 5-18 shows the grounding specifications for communication power supplies.

Table 5-18 Grounding specifications for communication power supplies

No.	Description
1	The inlet for the AC power cable at the equipment room should be equipped with a surge protection device (C-level) with a nominal discharge current no less than 20 kA.
2	The protective ground for the power supply and that for communication equipment share the same grounding conductor. If the power supply and the equipment are in the same equipment room, use the same protective ground bar for them if possible.

No.	Description
3	Use a surge protection circuit on the AC power interface.
4	The positive of the -48 V DC power supply or negative pole of the 24 V DC power supply should be grounded at the output of the DC power supply.
5	The working ground and protective ground of the DC power supply equipment should use the same grounding conductor with the protective ground of the switching equipment. If the power supply and equipment are in the same equipment room, use the same protection ground bar for them if possible.
6	Add surge protection on the DC power interface.

5.3.5 Grounding Specifications for Signal Cables

Table 5-19 lists the grounding specifications for signal cables.

Table 5-19 Grounding specifications for signal cables

No.	Description
1	Equip the cable outdoors with a metal jacket, well grounded at both ends, or connect the ends of the metal jacket to the protective ground bar of the equipment room. For cables inside the equipment room, install surge protection devices at the interface to the equipment. The PGND cable for the surge protection devices should be as short as possible.
2	The incoming and outgoing signal cables to and from the office and unused wires inside the cable should be grounded for protection.
3	The Tone & Data Access (TDA) cable must pass through the Main Distribution Frame (MDF) with surge protective device (SPD) when going out of the office. The cable's shield layer should be connected to the protective ground of the MDF. The MDF should use the same grounding conductor as the cabinet.
4	Do not route signal cables overhead.

5.3.6 Specifications for Laying Out Grounding Cables

Table 5-20 shows the specifications for the ground cable.

Table 5-20 Specifications for laying out ground cables

No.	Description
1	The grounding wire should not run parallel to or twist around the signal cable.

No.	Description
2	Bury ground underground or arrange them indoors. Do not route ground cables overhead.
3	Do not connect two cables together to extend the PGND cable, or add any switches or fuses.
4	The PGND cable should be an alternating yellow and green plastic insulated one with a copper core.
5	The neutral line of the AC power cable cannot be connected to the protective ground of transmission and communication equipment in the equipment room.
6	A PGND cable should be as short as possible, with a length of no more than 45 m (147.64 ft).

5.4 Engineering Labels for Cables

An engineering label serves as an identifier for on-site installation and maintenance after the installation. Labels on the cables facilitate correct and orderly connection of cables, and easy maintenance after installation.

Engineering labels are specialized for power cables and signal cables:

- Signal cables include network cables, optical fibers, and user cables.
- Power cables include the AC power cables and DC power cables.

NOTE

Fill in labels according to specified requirements to keep consistency of labels in the equipment room. Make a relevant statement in the self-check report.

5.4.1 Introduction to Labels

Label Materials

Features:

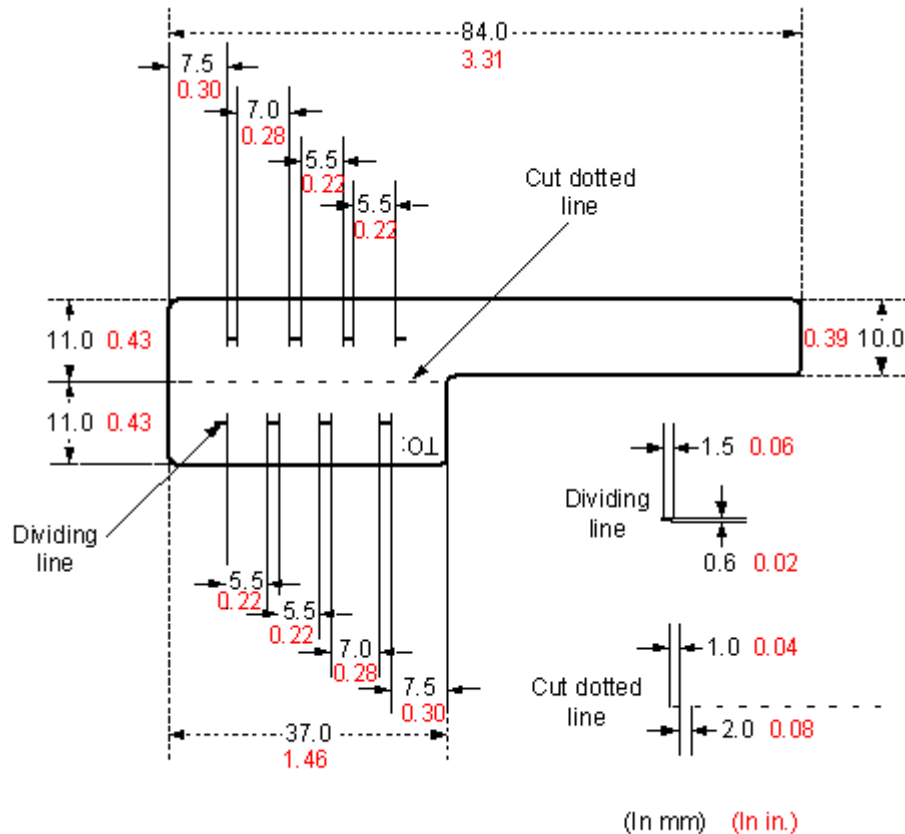
- Thickness: 0.09 mm (0.004 in.)
- Color: chalk white
- Material: polyester (PET)
- Ambient temperature: -29°C (-20.2°F) to +149°C (300.2°F)
- Printed by a laser printer and written with a marker
- Pass UL and CSA authentication

Type and Structure

Label for Signal Cables

The label for signal cables is L-shaped with fixed dimensions, as shown in [Figure 5-81](#).

Figure 5-81 Label for signal cables



To specify more clearly the position of a cable, use the dividing lines on the label. For example, there is a dividing line between the cabinet number and the chassis number, and another one between the chassis number and the slot number. Each dividing line is light blue (Pantone 656c) and 1.5 mm x 0.6 mm (0.06 in. x 0.02 in.).

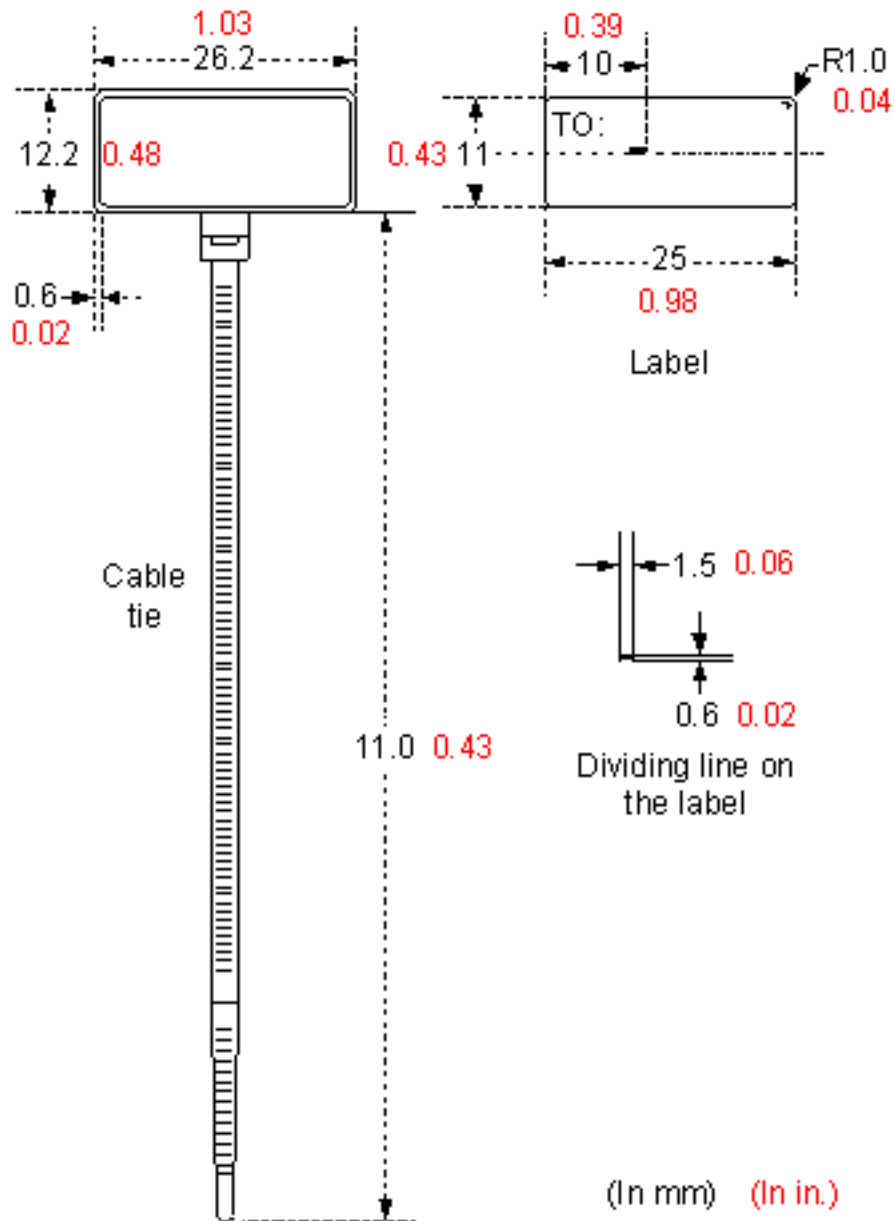
The cut dotted line helps to fold the label when affixed to the cable, and its size is 1 mm x 2 mm (0.04 in. x 0.08 in.).

The word "TO:" (upside down in the figure) at the lower right corner of the label is used to identify the opposite end of the cable on which the label is affixed.

Power Cable Label

The label for power cables should be attached to the identification plate on the cable ties that are attached to the cable. The identification plate has an embossed area 0.2 mm x 0.6 mm (0.008 in. x 0.02 in.) around (symmetric on both sides), and the area in the middle is for affixing the label, as shown in [Figure 5-82](#).

Figure 5-82 Power cable label



Label Printing

The contents can be printed or written on the labels. Printing is recommended for the sake of high efficiency and eye-pleasant layout.

Template for Printing

You can obtain a template from the Huawei local office to print labels.

The template is made in Microsoft Word. Follow these instructions to use the template:

- You can modify the contents of the template. Do not change settings of centered characters, direction, and fonts.

- If many characters need to be filled in, decrease the font size, but make sure that the printouts are clear and legible.

Merging Cells in the Template

To merge two or more cells, do as follows:

1. Select **Edit/Select All**.
2. Select **Format/Borders and Shading/Borders**. Select **Box** tab and click **OK**.
3. Drag the mouse to select cells to be merged and select the **Table/Merge Cells**.

Requirements on the Printer

To print labels, use a laser jet printer of any model. Before printing labels, set up the page and try printing.

1. Try printing on ordinary paper with both sides blank. Place the blank paper over the whole page of the label paper, and check whether the page setup conforms to the label layout.
2. Make sure the printer properties, such as "paper size" and "direction", have been set correctly.
 - If the printout conforms to the sheet of labels, print the labels on the label paper.
 - If the printout does not conform, adjust the page setup and try printing again until the correct printout is produced.

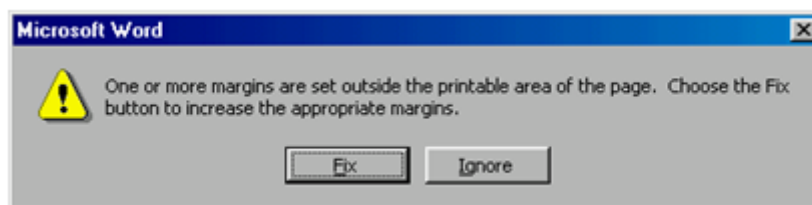
The method for adjusting the page setup is as follows.

1. Select **File/Page Setup**.
2. Select **Layout** and set Header and Footer as 0.
3. Select the **Margins** tab page. Select Left for Gutter Position and adjust the values of Top, Bottom, Left, and Right.

NOTE

If the warning prompt as shown in [Figure 5-83](#) appears before printing, click **Ignore** to continue the printing.

Figure 5-83 Warning prompt before printing



After the page setup has been made correctly, save it for future use. This page setup is only necessary the first time you use the template to print the labels.

Requirements for Feeding the Printer

The label paper consists of two layers and has undergone multiple processing procedures such as printing and cutting. No matter what model of printer you use, feed in the labels one page at a time. To avoid jamming the labels, never use the auto-feed mode.

Feed in the label paper in the correct direction to ensure that the text is printed in a correct position.

Requirements for the Printed Label

Make sure that the printed labels satisfy the following requirements:

- All the printouts must be on the label, and nothing should be printed on the backing layer of the label page.
- Contents in the cells should be aligned in the center. In a single-line printout, the dividing lines and the word "TO:" should not be covered by printed characters.
- When the cells are merged and the printouts are made in multiple lines, avoid covering the word "TO:" when printing the text. Use the space bar to move the text to the next line.

Writing Labels

Writing Tools

To make sure the printouts are clear and legible, use black markers instead of ball-point pens to write the labels.

If no marker is available, black ball-point pens are allowed, although not recommended. Compared with ball-point pens, water-proof markers are better. When writing with a ball-point pen, do not leave the oil on the label, which may contaminate the label and blur the words.

NOTE

The delivered marker has two nibs. Use the smaller nib to write the labels.

Font

For the sake of legibility, use standard block letters and numbers as shown in [Table 5-21](#) (Times New Roman).

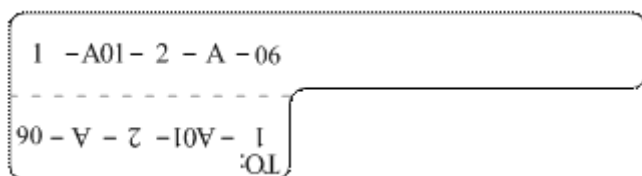
Table 5-21 Standard typeface for handwriting

0	1	2	3	4	5	6	7	8
9	A	B	C	D	E	F	G	H
I	J	K	L	M	N	O	P	Q
R	S	T	U	V	W	X	Y	Z

Determine the size of characters based on the number of letters or digits and ensure that the characters are distinct and tidy.

Placement of text on a label is shown in [Figure 5-84](#).

Figure 5-84 Placement of text on a label



Attaching Labels

After printing or writing the label, remove the label from the page and attach it to the signal cable, or the identification plate of the power cable. The methods for attaching labels are described in the following sections.

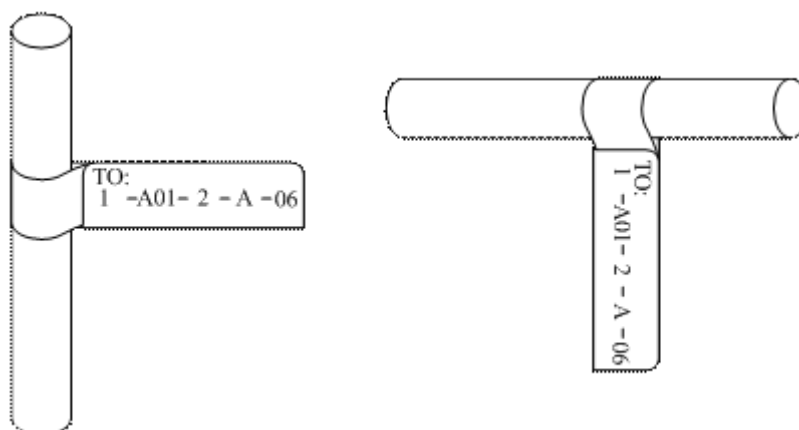
Label for Signal Cables

- Choose the place to attach labels.

The label is attached 2 cm (0.79 in.) from the connector on a signal cable. In special cases (for example, to avoid cable bending or affecting other cables), other positions are allowed to attach the labels. The rectangular part with text is attached facing right or downward, as shown in [Figure 5-85](#). The details are as follows:

- The identification card is to the right of the cable in vertical cabling.
- The identification card should be downward when you lay out the cable horizontally.

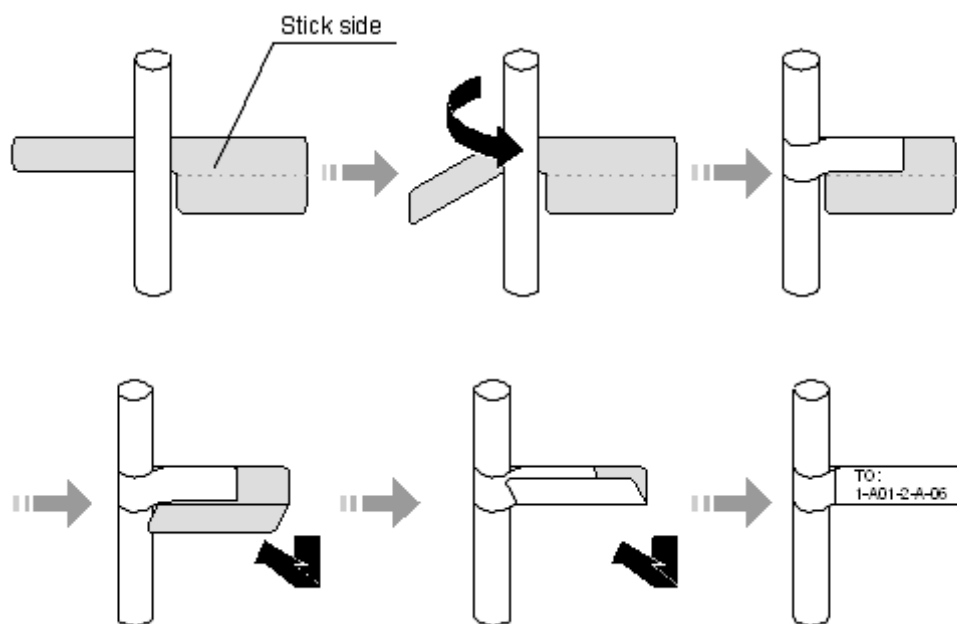
Figure 5-85 Text area of the label



- Procedure for attaching labels

[Figure 5-86](#) shows the methods and procedures for attaching labels.

Figure 5-86 Label for signal cables



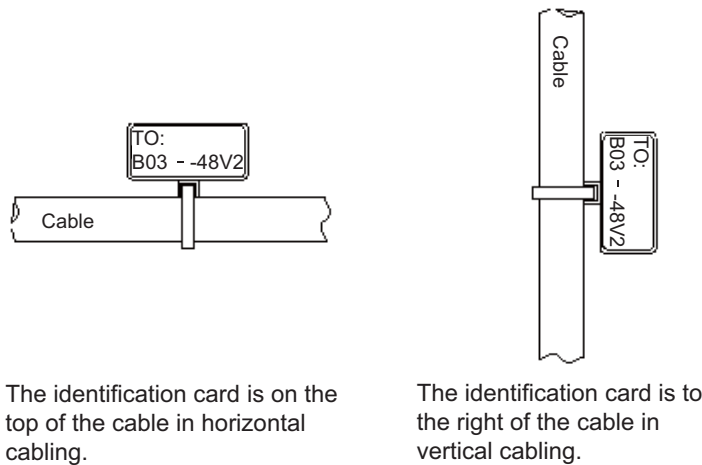
Power Cable Label

Remove the label from the backing page, and attach it to the identification plate on the cable tie. The label should be attached to the rectangular flute on the identification plate, and attached to only one side of the identification plate. The cable ties are bundled at 2 cm (0.79 in.) from the connectors, and other positions are allowed in special circumstances.

Cable ties should be bound on both ends of a cable. After the bundling, the finished identification plate should be on top of the cable in horizontal cabling, or on the right side of the cable in vertical cabling, as shown in [Figure 5-87](#). The details are as follows:

- The identification card is to the right of the cable in vertical cabling.
- The identification card is on the top of the cable in horizontal cabling. Make sure that the label is facing out.

Figure 5-87 Binding the label for the power cable



Contents of Engineering Labels

Contents of Labels for Power Cables

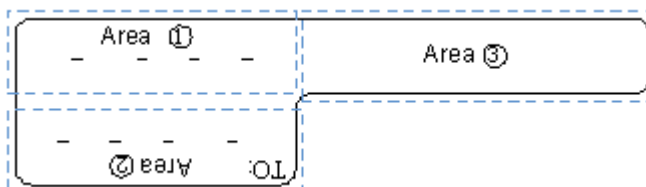
Labels for power cables are affixed on only one side of the identification plates. On the labels, there is information (the part after the word "TO:") about the location of the device on the other end of the cable, like the location of control cabinet, distribution box or power socket.

Contents of Labels for Signal Cables

The two sides of the label affixed on the signal cable carry information about the location of the ports connected to both ends of the cable. [Figure 5-88](#) shows the information on both sides of the labels affixed to the signal cables.

- Area 1 contains the location information of the local end of the cable.
- Area 2 (with the word "TO:") contains the location information of the opposite end of the cable.
- Area 3 has been folded up inside the label.

Figure 5-88 Printed parts on the label for signal cables



Seen from the cabling end of the equipment, the text part of the label is on the right side of the cable. The side with "TO:" that is facing outside carries the location information of the opposite end; and the other side carries the location information of the local end.

In other words, the information in Area 1 at one end is the same as the information in Area 2 at the other end of the cable.

Precautions for Using Engineering Labels

When using labels, pay attention to the following points:

- When printing, writing, or attaching labels, keep the labels clean.
- Since the label paper is made of moistureproof material, ink-jet printers and ink pens cannot be used to print and write labels.
- Labels should be attached neatly. New-type labels are L-shaped. If they are pasted at incorrect locations or in the incorrect direction, the appearance of the device is affected.
- Power cable ties should be attached in the same positions on power cables, with identification plates on the same side.
- The positions of "up", "down", "left" or "right" are all based on the viewpoint of the engineering person who is working on the label.

5.4.2 Engineering Labels for Optical Fibers

These labels are affixed to the optical fibers that connect the optical interfaces on the boards in a chassis, or on the device boxes. There are two types of labels for optical cables:

- One is for the fiber that connects the optical interfaces on two devices.
- The other is for the fiber that connects the device and the ODF.

Labels for the Optical Fibers Connecting Devices

Meaning of the Label

Table 5-22 lists information on both sides of the labels affixed to the optical fibers that connect two devices.

Table 5-22 Information on labels affixed to the fibers between two devices

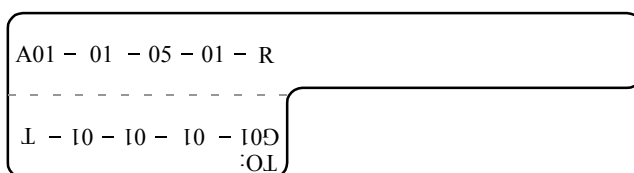
Content	Meaning	Example
MN-B-C-D-R/T	MN: cabinet number	M: The cabinet rows from front to back are numbered from A to Z. N: The cabinet columns from left to right are numbered from 01 to 99. For example, A01 is the cabinet in row A and column 01.
	B: chassis number	Numbered in bottom-up order with two digits, for example, 01.
	C: physical slot number	Numbered in top-down and left-right order starting from 01. For example, 01 is the first slot at the top left of the chassis.

Content	Meaning	Example
	D: optical interface number.	Numbered in top-down and left-right order, consistent with the port sequence number on the device.
	R: Receiving interface T: optical transmitting interface	-

Example of the Label

Figure 5-89 shows a sample label on an optical fiber.

Figure 5-89 Sample label on an optical fiber between two devices



The meaning of the label is listed in **Figure 5-89**.

- "A01-01-05-01-R" indicates that the local end of the optical fiber is connected to the optical receiving interface 01 in slot 5, chassis 01 in the cabinet in row A, column 01 in the machine room.
- "G01-01-01-01-T" indicates that the opposite end of the optical fiber is connected with optical transmitting interface 01 in slot 01, chassis 01 in the cabinet in row G, column 01 in the machine room.

Labels for the Optical Fibers Connecting the Device and an ODF

Meaning of the Labels

Table 5-23 shows information on both sides of labels attached to an optical fiber between a device and an optical distribution frame (ODF).

Table 5-23 Information on labels affixed to a fiber between a device and an ODF

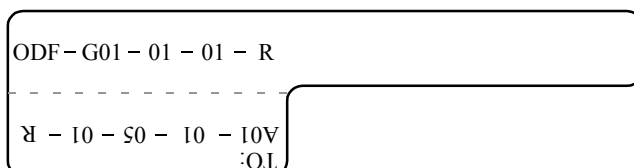
Content	Meaning	Example
MN-B-C-D-R/T	MN: cabinet number	For example, A01.
	B: chassis number	Numbered in bottom-up order with two digits, for example, 01.

Content	Meaning	Example
	C: physical slot number	Numbered in top-down and left-right order starting from 01. For example, 01 is the first slot at the top left of the chassis.
	D: optical interface number.	Numbered in top-down and left-right order, consistent with the port sequence number on the device.
	R: Optical receiving interface T: optical transmitting interface	-
ODF-MN-B-C-R/T	MN: row number and column number of an ODF	M: The cabinet rows from front to back are numbered from A to Z. N: The cabinet columns from left to right are numbered from 01 to 99. For example, G01 is the ODF of row G and column 01.
	B: row number of the terminal device	Range from 01 to 99, for example, 01-01.
	C: column number of the terminal device	
	R: Optical receiving interface T: optical transmitting interface	-

Example of the Label

Figure 5-90 shows a sample label on an optical fiber.

Figure 5-90 Sample label on an optical fiber between the device and the ODF



Meaning of the label in [Figure 5-90](#)

- "ODF-G01-01-01-R" indicates that the local end of the optical fiber is connected to the optical receiving terminal in row 01, column 01 of the ODF in row G, column 01 in the machine room.
- "A01-01-05-01-R" indicates that the opposite end of the optical fiber is connected to optical receiving interface 1 in slot 05, chassis 01 in the cabinet in row A, column 01 in the machine room.

5.4.3 Engineering Labels for Network Cables

Applicable Ranges

The labels can be applied to Ethernet cables.

Label Content

[Table 5-24](#) shows the information on both sides of the labels affixed to Ethernet cables.

You can also decide the label content based on the actual environment. If the device is not installed in the cabinet, for example, you can remove the cabinet number.

Table 5-24 Information on the Ethernet cables

Content	Meaning	Example
MN-B-C-D	MN: cabinet number	For example, A01 is the first cabinet in row A.
	B: chassis number	Numbered in bottom-up order with two digits, for example, 01.
	C: physical slot number	Numbered with two digits in top-down and left-right order. For example, 01.
	D: network port number	Numbered in top-down and left-right orders. For example, 01.
MN-Z	MN: cabinet number	For example, B02 is the second cabinet in row B.
	Z: Location number	Fill in the location number of the terminal device on site. If the cable is connected to a device in a cabinet, specify the serial numbers of the cabinet, the chassis, and the Ethernet interface of the device. For example, B02-03-12. If the cable is connected to the Network Management Station (NMS), specify the specific location of the NMS.

The contents of the labels for network cables connecting hubs and devices or agents and the network cables for other purposes should be specified according to actual connections. The details are as follows:

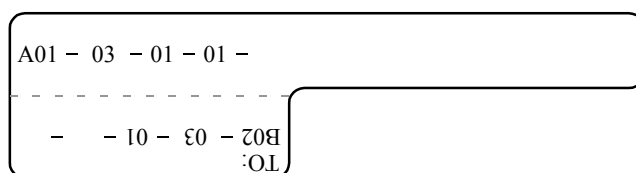
- For a network cable connecting a hub and device, the label on the hub end should indicate the numbers of the chassis and cabinet where the hub resides, and the serial number on the hub. The label on the device end should indicate the number of the chassis and cabinet where the device is located. If the device is a standalone device, provide the specific position of the device.
- For a network cable connecting a hub and an agent or terminal, the label on the agent or terminal end should contain the serial number of the network interface. The definitions of the cabinet number and chassis number are the same as those described in [Table 5-24](#).
- If the hub is a standalone device without a cabinet or chassis, the label should contain specific location information that identifies the hub.

The serial number on the hub, the network interface number of the agent or terminal, and the location of the standalone device should be specified according to actual connections.

Label Example

[Figure 5-91](#) shows a sample label on an Ethernet cable.

Figure 5-91 Sample label on an Ethernet cable



Meaning of the label in [Figure 5-91](#).

- "A01-03-01-01" indicates that one end of the network cable is connected to network interface 01 in slot 01, chassis 03 of the cabinet in row A, column 01 in the equipment room.
- "B02-03-01" indicates that another end of the network cable is connected to network interface 01 in chassis 03 of the cabinet on row B, column 02 in the equipment room. No slot number is given.

5.4.4 Engineering Labels for User Cables

Attach labels to both ends of a user cable to indicate the locations of the cable on the device and main distribution frame (MDF).

Meaning of the Engineering Labels for User Cables

[Table 5-25](#) shows the contents of the labels.

Table 5-25 Contents of the engineering labels for user cables

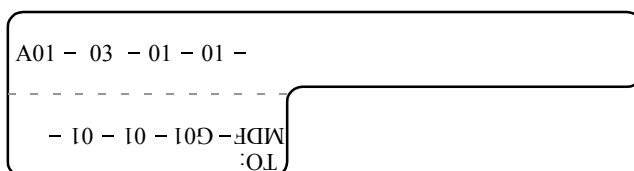
Content	Meaning	Example
MN-B-C-D	MN: cabinet number	For example, A01 is the first cabinet in row A.

Content	Meaning	Example
	B: frame number	Numbered in the bottom-up order with two digits, for example, 03.
	C: physical slot number	Numbered with two digits in top-down and left-right order. For example, 01.
	D: cable number	Numbered with two digits in top-down and left-right order. For example, 01.
MDF-MN-B-C	MN: row number and column number of the MDF	M: The rows of cabinets from front to back are numbered from A to Z. N: The columns of cabinets from left to right are numbered from 01 to 99. For example, G01 is the MDF of Row G and Column 01.
	B: row number of the terminal device	Ranges from 01 to 99, for example, 01-01.
	C: column number of the terminal device	

Example of the Label

Figure 5-92 shows a sample label on a user cable.

Figure 5-92 Sample label on a user cable



The meaning of the label in Figure 5-92 is as follows:

- "A01-03-01-01" indicates that the local end of the user cable is connected to port 1 in slot 1, chassis 03 of the cabinet in row A, column 01 in the equipment room.
- "MDF-G01-01-01" indicates that the opposite end of the user cable is connected to the terminal in row 01, column 01 of the MDF in row G, column 01 in the equipment room.

5.4.5 Engineering Labels for Power Cables

Engineering Labels for DC Power Cables

These labels are affixed to the DC power cables that provide power supply for cabinets, including the -48 V, PGND, and BGND cables. Here, the DC power cables also include power cables and PGND cables.

The labels for DC power cables are affixed to one side of the identification plates on cable ties. For details of the labels, see [Table 5-26](#).

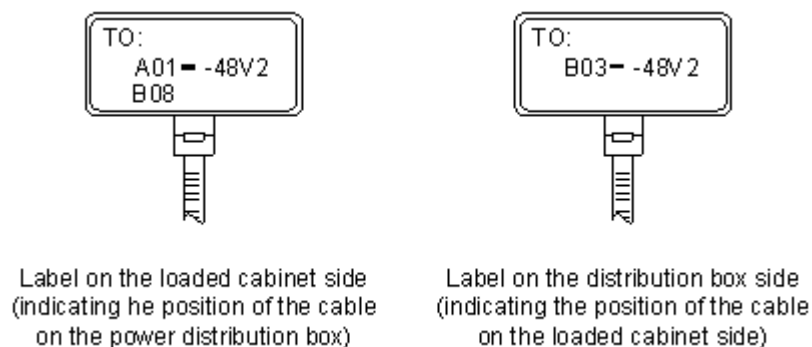
Table 5-26 Contents of the label

Content	Meaning
MN(BC)-B--48Vn	MN(BC): BC is written right under MN. B: chassis number, numbered in bottom-up order with two digits, for example, 01.
MN(BC)-B-BGND	N: power socket number, numbered as 1 to 3 in the bottom-up and left-to-right orders.
MN(BC)-B-PGND	On the loaded cabinet side, only MN is used to identify the cabinet. On the power cabinet side, MN identifies the row and column number of the power distribution equipment like a control cabinet and distribution box, and BC identifies the row and column number of the -48 V connector. If there is no row number or column number, or the connector can be identified without them, BC can be omitted. It is unnecessary to identify the row and column number for BGND and PGND.

The label only carries location information about the destination direction of the power cable whereas information about the local end is unnecessary. That is, the label only carries location information about the opposite equipment, the control cabinet, or the distribution box. [Table 5-26](#) lists the information on two -48 V power supplies on the label. The information on other DC voltages, such as 24 V and 60 V should be given in similar methods.

Make sure that labels are affixed in the correct direction. That is, after the cable ties are bundled onto the cable, the identification plates with the labels should face up, and the text on the labels in the same cabinet should be in the same direction. For details, see [Figure 5-93](#).

Figure 5-93 Example of the labels for DC power cables



Label on the loaded cabinet side
(indicating the position of the cable
on the power distribution box)

Label on the distribution box side
(indicating the position of the cable
on the loaded cabinet side)

The meaning of the label in [Figure 5-93](#) is as follows:

- On the loaded cabinet side, the label "A01/B08--48V2" on the cable indicates that the cable is -48 V DC supply, which is from the eighth connector in row B of -48 V bus bar in the cabinet in row A, and column 1 in the equipment room.
- On the distribution box side, the label "B03--48V2" indicates that the cable is -48 V DC supply, connected to DC power socket 2 in row B, column 03 in the equipment room.

 **NOTE**

In the power distribution box or the first power cabinet of a row in a transmission equipment room, every terminal block on the -48 V connector bar has a numeric identification. For example, in the above label of "A01/B08--48V2", "08" (or sometimes "8") is the numeric identification of the terminal block.

PGND and BGND are two copper bars, on which the terminal blocks are short-circuited. Therefore, it makes no difference which terminal is connected to them. It is only necessary to give the row and column of the power distribution box, instead of giving the specific serial number of the terminal block on the copper bar. For example, if the label on the loaded cabinet side is "A01-BGND", it means that the power cable is a BGND that connects BGND copper bar in the power distribution box in row A, column 01 in the machine room. Information on the labels for PGND cables should be given in a similar way.

Engineering Labels for AC Power Cables

These labels are affixed to both ends of an AC power cable that provides AC power supply to cabinets, including 110/220 V, PGND, and BGND cables. The 110/220 V AC cables and related PGND and BGND cables are covered with an insulating sheath, so the labels need to contain only the word "AC" and the cabinet numbers.

The labels for AC power cables are affixed to one side of the identification plates on cable ties. For details, see [Table 5-27](#).

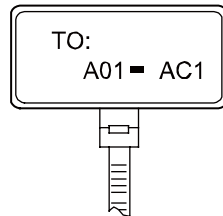
Table 5-27 Label content

Content	Meaning
MN-(B)-ACn	<p>MN: serial number of the cabinet or the socket where the power is led in</p> <p>B: chassis number, numbered in bottom-up order with two digits, for example, 01.</p> <p>n: power port number, numbered as 1 to 3 in bottom-up and left-to-right order.</p> <p>Serial number of the socket where the power is led in: the location of the socket is marked according to the actual situation. If the sockets can be identified by row numbers and column numbers, they can be numbered following the same rule for the cabinets. If the sockets cannot be identified by rows and columns, specify the detailed locations to avoid confusion with other sockets.</p>

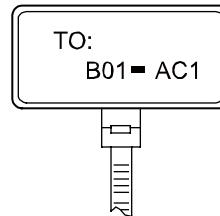
The label only carries location information about the opposite equipment and the power socket; information about the local end is unnecessary.

Make sure that labels are affixed in the correct direction. That is, after the cable ties are bundled onto the cable, the identification plates with the labels should face up, and the text on the labels in the same cabinet should be in the same direction, as shown in [Figure 5-94](#).

Figure 5-94 Labels for AC power cables



Label on the loaded cabinet side
(indicating the position of the cable
on the power distribution box)



Label on the distribution box side
(indicating the position of the cable
on the loaded cabinet side)

Meaning of the label in [Figure 5-94](#).

- On the equipment cabinet side, the label marked "A01-AC1" indicates that the power cable is connected to the first AC power socket of row A and column 01 in the equipment room.
- On the power socket side, the label marked "B01-AC1" indicates that the power cable is connected to the first AC power socket in the cabinet of row B and column 01 in the equipment room.

5.5 Guide to Using Optical Modules

Common Faults of an Optical Module

 **NOTE**

The system may fail to obtain information about non-Huawei-certified optical modules or obtain incorrect information. You are advised to use Huawei-certified optical modules. Obtain the electronic label of the optical module and contact technical support personnel to confirm whether it is a Huawei-certified optical module.

1. An optical module is not completely installed in position.
If the optical module is not completely installed in position and the latch boss is not secured, the device cannot identify the optical module. After the optical module works for a long time, it will be ejected under external stress.
2. The optical receptacle on an optical module is contaminated.
If an optical module is not cleaned or protected properly, contaminants may accumulate on the fiber pin in the optical module. As a result, the coupling efficiency is reduced, optical signals are cut off, or even worse, the surface of the fiber pin is damaged permanently.
3. An optical module is burnt.
If high-power optical signals (caused by an optical time domain reflectometer or self-loop test) are transmitted through an optical module that is used for long-distance transmission but no optical attenuator is used, the optical power will exceed the overload power of the avalanche photodiode (APD). Then the optical module is burnt.

The preceding faults lead to temporary or long-term cut-off of optical signals; or even cause permanent damages to the optical module, affecting communication services.

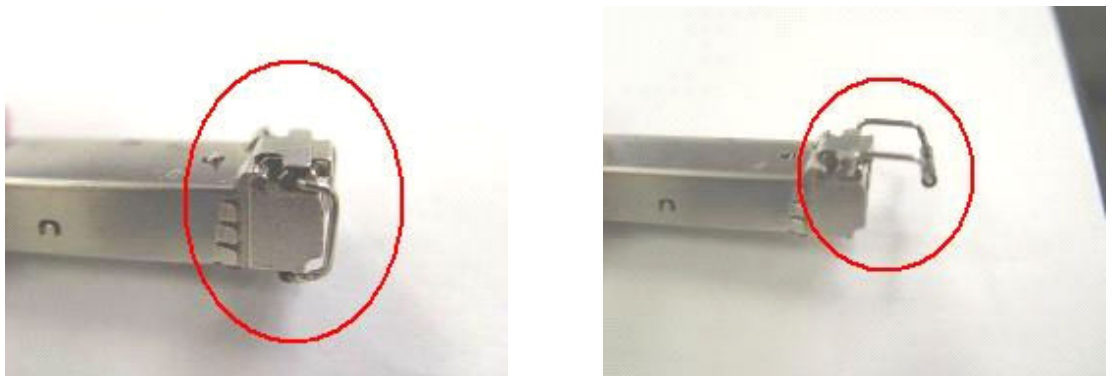
Measures to Prevent a Loosened Optical Module

1. When installing an optical module, insert it in position. If you hear a click or feel a slight shake, it indicates that the latch boss is secured.

If the latch boss is not secured, the gold finger of the optical module is not in good contact with the connector on the board. In this case, the link may be connected but optical signals will be cut off or the optical module will be loosened when the optical module is shaken or hit.

2. **Figure 5-95** shows the release handle on an optical module when it is open and closed. When inserting the optical module, make sure that the release handle is closed. At this time, the latch boss locks the optical module. After the optical module is inserted, try pulling it out to see if it is installed in position. If the optical module cannot be pulled out, it is secured.

Figure 5-95 State of the release handle



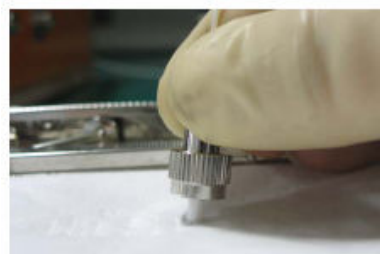
Close the release handle

Open the release handle

Measures to Prevent Receptacle Contamination

1. Cleaning tissues must be prepared on site. You need to clean the optical connector before inserting it in the receptacle. This protects the receptacle against contamination on the surface of the optical connector.

Figure 5-96 Cleaning optical fibers with special cleaning tissues

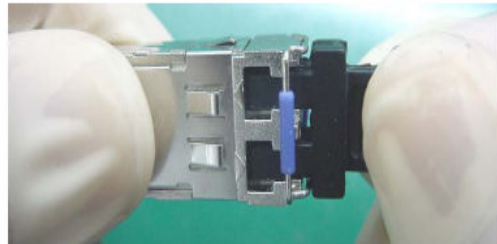


 **NOTE**

Place at least three cleaning tissues on the work bench. As shown in [Figure 5-96](#), wipe the end of an optical connector from left to right or from right to left on a cleaning tissue, and then move the connector end to the unused part of the cleaning tissue to continue.

2. Cover an unused optical module with a protective cap to prevent dust, as shown in [Figure 5-97](#).

Figure 5-97 Installing a protective cap



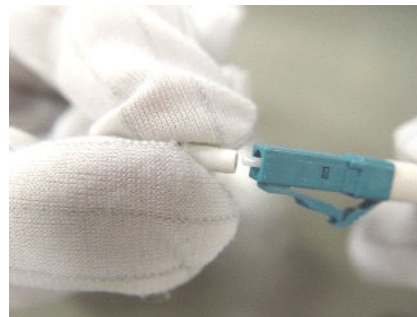
If no protective cap is available, use fibers to protect the optical module, as shown in [Figure 5-98](#).

Figure 5-98 Using fibers to protect an optical module



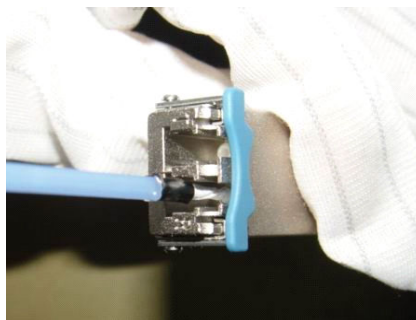
3. Cover unused optical connectors with protective caps, as shown in [Figure 5-99](#), and then lay out fibers on the fiber rack or coil them in a fiber management tray to prevent fibers from being squeezed.

Figure 5-99 Installing a protective cap on a fiber



4. If a receptacle or an optical connector has not been used for a long time and is not covered with a protective cap, you need to clean it before using it. Clean a receptacle with a cotton swab, as shown in [Figure 5-100](#). Clean an optical connector with cleaning tissues.

Figure 5-100 Cleaning a receptacle with a cotton swab



 **NOTICE**

When cleaning a receptacle, insert the cotton swab and turn it slowly in the receptacle. Do not use too much strength because the receptacle may be damaged.

-
5. If optical signals are lost during the operation of a device, use the preceding method to clean the receptacle or the optical connector. In this manner, the possibility of contamination can be excluded.

Measures to Prevent an Optical Module from Being Burnt

1. Before using an optical time-domain reflectometer (OTDR) to test the connectivity or the attenuation of optical signals, disconnect the optical fibers from the optical module. Otherwise, the optical module will be burnt.
2. When performing a self-loop test, use an optical attenuator. Do not loosen the optical connector instead of the optical attenuator.

Precautions

1. The optical connector should be vertically inserted in the receptacle to avoid damages to the receptacle.
2. Fibers must be inserted into optical modules of the corresponding type. That is, multimode fibers must be inserted into multimode optical modules, and single mode fibers must be inserted into single mode optical modules. If a fiber is inserted into an optical module of a different mode, faults may occur. For example, optical signals will be lost.

5.6 Fault Tag

*Customer name:	
Address:	
Contact person:	
Tel.:	Fax:

Component	No.	Applicable Scope	Check Item
	2	Independent AC	The power modules are securely installed with their captive screws tightly fixed.
	3	Independent AC	Four rubber pads are attached to specified positions on the bottom of the AC before it is placed on a desk.
	4	Independent AC	The AC is secured in the cabinet or rack by rack-mounting brackets or guide rails (or trays), and floating nuts are correctly secured.
	5	AC card	The AC card is secured in the cabinet or rack by guide rails or trays, and the guide rails or trays and floating nuts are correctly secured.
	6	AC card	The AC card is correctly inserted into the device slot and secured using the ejector lever.
	7	AC card	No pins on the backplane are bent when the AC card is installed.
	8	Independent AC	The AC is grounded using a ground cable, meeting surge protection requirements.
	9	Independent AC	When the AC directly connects to APs, location IDs of the APs are provided at the cable connection points.
PoE power supply	1	General	The proper PoE switch or power adapter is selected, meeting AP power supply and onsite environment requirements.
	2	General	To ensure that the PoE power meets requirements, the PoE power supply device and APs must be connected through CAT5E and CAT6E network cables, and the cable length cannot exceed 100 m.
	3	General	Labels must be made for the PoE power cable to identify AP locations.
	4	General	Leave a 20 cm space between PoE power adapters to ensure normal heat dissipation.
	5	General	The PoE switch is correctly grounded with the ground cable.
	6	General	Reserve a few downlink network interfaces for the PoE switch (for example, connect at most 20 APs to a 24-port switch) for future capacity expansion.
	7	General	You are advised to configure dual power modules for a PoE switch for power redundancy backup and providing power for more APs.

Component	No.	Applicable Scope	Check Item
AP	1	General	The AP installation positions comply with the network planning report and APs cannot be installed in environments with strong electrical or magnetic interference or corrosive materials. If the onsite environment does not meet requirements, adjust the AP installation positions properly.
	2	General	The devices are installed correctly, securely, without damages or paint peeling. Screws are tightened.
	3	General	Leave at least 20 cm space at the cable outlet and top (convex) of the AP to facilitate commissioning, maintenance, and heat dissipation. APs that dissipate heat from the rear must be fixed using mounting brackets in wall mounting scenarios. Ensure that there is a certain space between the APs and wall to facilitate heat dissipation.
	4	General	APs with built-in antennas should be installed in open areas and there should be no obvious obstruction in the coverage direction of the main lobe. The main lobe of built-in antennas faces the top (convex).
	5	General	The APs and antennas are neatly installed, without affecting the overall layout of the environment.
	6	Indoor AP	Indoor APs are placed far away from windows and in dry environments with little dust and good ventilation. There should be no inflammable materials in rooms. The indoor temperature and humidity must be within acceptable ranges.
	7	Indoor AP	When being mounted to a ceiling, the APs must be fixed using the matching mounting brackets. The APs cannot be hung in the air or placed directly on the ceiling. When the APs are mounted to a wall, the bottom of the APs should be at least 30 mm from the ground. The APs should be installed in places out of reach of people.
	8	Outdoor AP	When two or more APs are installed in the same area, they must be installed in the same vertical or horizontal line with certain spacing greater than 15 mm.
	9	General	Dustproof, waterproof, and anti-theft measures are taken and the devices are kept clean. The APs are secured using the security locks (separately purchased) based on onsite situations and customer requirements. If APs are placed in a network box, ensure that the box is well-ventilated, clean, and dustless, and the ventilation holes are not blocked.

Component	No.	Applicable Scope	Check Item
	10	Indoor AP	Indoor APs should be mounted on walls with network ports downwards to prevent device damages caused by water drops or other liquid. Install the device in a site that is free from leaking or dripping water, heavy dew, and humidity, and take protective measures to prevent water from flowing into the equipment along the cable.
	11	Outdoor AP	When an outdoor AP is installed against a wall or pole, keep the indicator downwards for easy observation.
	12	General	Use waterproof labels to mark the registration names of APs on the AC, as well as their channels and IP addresses. The labels should be attached to the front of the APs for easy observation.
	13	General	Record AP installation positions, MAC addresses, interfaces of uplink PoE switches, and IP addresses (APs use fixed IP addresses) into a table.
	14	Indoor AP	The devices required during indoor AP installation, such as the splitter, coupler, and antennas are operated in accordance with specifications.
	15	General	The APs using a metal shell (with a ground point) must be properly grounded.
	16	Outdoor AP	Unused radio ports should be installed with 50 Ω RF loads.
	17	Outdoor AP	Take lightning protection measures on outdoor APs (the outdoor APs have built-in 5 kV surge protectors. If customers require a higher surge protection capability on the feeder ports, they can purchase additional surge protective devices, which need to be separately grounded). The APs should be located in the protection scope (within a 45-degree angle) of a lightning rod.
	18	Outdoor AP	When an AP is mounted to a pole, the distance between the AP and the top of pole should be at least 30 cm.
Signal cable	1	General	Routes of signal cables comply with the engineering design document. The signal cables are correctly connected to facilitate maintenance and capacity expansion.
	2	General	Radio ports of an AP are correctly connected to radio ports A/B/C of antennas.
	3	General	Signal cable connectors are correctly installed and securely connected to the device. Wires of each signal cable are securely cramped in the connectors and pass connectivity tests.

Component	No.	Applicable Scope	Check Item
	4	General	Signal cables are orderly routed and not crossed, twisted, or wound (cables can be crossed at 1 m out of the cabinet). The bend radius of cables meets requirements, and the cables are not excessively bent.
	5	General	Signal cables are not damaged or broken and have no splices. Sufficient cable length is reserved. The reserved cables are twined and placed properly to facilitate subsequent maintenance.
	6	Indoor AP	The optical, power, network, and feeder cables are bundled using straps (one strap every 0.5 m) and securely fastened.
	7	Outdoor AP	The signal cables shall be bundled at even intervals (about 1000 mm), not too tight or too loose. The cables shall be bundled properly with cable ties placed in neat order. Cut off redundant cable ties and remove burrs from them to avoid injuries. The cables shall be fixed using fasteners or ageing-resistant outdoor metal binding straps.
	8	General	Keep the signal cables away from heat sources and use heat insulation materials to insulate the cables from the heat sources. Do not place signal cables on the air vents of the cabinet to avoid affecting subrack heat dissipation or cable lifetime.
	9	General	<p>Pigtail layout should meet the following requirements:</p> <ul style="list-style-type: none"> ● Pigtails are not strained or twisted at the bent parts. They are bundled by binding tape with appropriate force. ● Pigtails can be pulled back and forth easily inside the cable tie and are not bent at a right angle. ● Pigtails are not squeezed by other cables or objects. ● The flange must be fixed. ● Pigtails are protected with protective tubes or enveloped in troughs when they are routed outside the cabinet. The protective tubes are bundled and processed to prevent cutting. ● The optical fiber cannot be folded or twisted, and the pigtail cannot be squeezed. The binding diameter of an optical fiber must be larger than 6 cm. ● The pigtail connection points must be clean and dustless. Fiber connectors and optical ports that are not used must be protected with protective caps or plugs. Cleaning must be carried out in strict accordance with Huawei tool specifications.
	10	General	The feeder cables shall not be bent or twisted, with no copper wire exposed.

Component	No.	Applicable Scope	Check Item
	11	General	The feeder cable connectors comply with corresponding standards and are correctly connected, without looseness.
	12	General	The feeder cables, power splitter, coupler, and surge protective devices are connected correctly and reliably in accordance with specifications.
	13	General	Strong current and weak current cables are routed separately. The power cables, ground cables, and signal cables are bundled and routed separately (with a spacing of more than 30 mm) to prevent electrical or magnetic interference. Use shielded cables in places with strong interference.
	14	General	When routing cables in walls, place the cables in the cable troughs or pipes and fix the cables using pipe straps. For non-metal corrugated pipes, the fixing distance should be about 1000 mm.
	15	Outdoor AP	All outdoor connectors or feeder cable connectors are properly sealed to prevent water. Wrap the cable using one-layer PVC insulation tape, three-layer waterproof tape, and then three-layer PVC insulation tape. The tape shall be attached evenly and neatly. The network cables shall be covered with waterproof PG tubes.
	16	Outdoor AP	Cable connectors are secured on cables and sealed to prevent water intrusion. The outlets of cable conduits on a wall are sealed by waterproof and flame-retardant materials. Drip loops meeting the minimum bending radius requirement are made on the network cable segment that stretches indoor.
	17	Outdoor AP	Do not deploy cables overhead between two buildings.
	18	General	Waterproof labels (providing device names and cable directions) are filled and attached to signal cables correctly. Each label is attached 20 mm to 100 mm from the corresponding cable connector.
	19	Outdoor AP	Surge protection measures are taken in the places where the outdoor APs are installed. The outdoor APs, antennas, and signal cables are deployed within 45-degree protection area of a lightning rod.
	20	Outdoor AP	The bare wires of network and feeder cables should be covered by the winding pipes, flexible metal conduit, PVC pipes, or galvanization pipes. The cable outlet and inlet are sealed to prevent dusts.

Component	No.	Applicable Scope	Check Item
Antenna	1	General	The installation positions of antennas should comply with the engineering design and antennas should be securely and reliably installed.
	2	General	There should be no obstacles in the major coverage direction of antennas. The direction and downlink tilt of antennas should be adjusted based on the coverage targets.
	3	General	There should not be metal subjects within 1 m around an outdoor omnidirectional antenna.
	4	General	The azimuth deviation of a directional antenna should be within 5 degrees and the tilt deviation within 0.5 degree.
	5	Outdoor antenna	The antennas are fixed using special support that supports installation of surge protection devices and shall be located within a 45 degree protection angle of a lightning rod. When an antenna is mounted to a pole, the distance between the antenna and top of the pole should be at least 30 cm.
	6	Outdoor antenna	Take waterproof measures on connectors of the antennas and feeder cables and keep the drain holes of antennas downwards.
	7	Outdoor antenna	The pole used in antenna mounting should meet the following requirements: Pole height: ≥ 2000 mm Bottom pole diameter: ≥ 220 mm Top pole diameter: ≥ 120 mm Pole thickness: ≥ 6 mm Depth of foundation: ≥ 1500 mm The pole deployed outdoors must be reinforced with hot-dip zinc to prevent water corrosion and rust.
	8	Outdoor antenna	It is recommended that at most three APs or antennas be mounted to the same pole. The APs or antennas mounted to the same pole should meet the following requirements: ● The vertical distance should be at least 3.5 m between adjacent 2.4G antennas and 2 m between adjacent 5G antennas. ● There should be at least 1 m vertical distance between antennas that work on the same frequency band and belong to different APs.
	9	Outdoor antenna	When outdoor APs use single-polarized antennas, the horizontal distance between 2.4G antennas should be at least 1 m and that between 5G antennas should be at least 0.5 m.

Component	No.	Applicable Scope	Check Item
	10	Outdoor antenna	<p>If multiple APs are mounted to different poles, the APs should provide signal coverage in the same direction or in back-to-back mode to ensure that main lobe of antennas on different APs do not face each other.</p> <p>Recommended AP distance: ≥ 44 m (APs provide signal coverage in the same direction) ≥ 6 m (APs provide distance in back-to-back mode)</p>
Power and ground cables	1	General	The female connectors of power cables connecting to the device are fixed using a locking latch.
	2	General	The power cables and ground cables are correctly connected.
	3	General	The power cables and ground cables are complete and not spliced.
	4	General	The excess of power cables or ground cables are trimmed off without any coils. The power cables connecting the delivered surge protection boxes and devices cannot be cut. These power cables can be coiled.
	5	General	Power cables and ground cable are separated from the signal cables.
	6	General	Power cables and ground cables are routed straightly and properly bundled, with sufficient slack at the bend part. If the cables are fixed on a sharp mechanical part, take protection measures.
	7	General	The equipotential cables between the attaching cabinets shall be securely connected.
	8	General	The lugs for the power cables and ground cables are soldered or crimped securely.
	9	General	The lugs and bare wires of power cables and ground cables are tightly wrapped with tubes or insulation tape without any exposed copper wire. Flat washers and spring washers are installed correctly.
	10	General	Labels are filled and attached to power cables and ground cables correctly.
	11	General	Power cables deployed outdoors must be covered by PVC tubes.
Optical module	1	General	A single-mode fiber can only be used with a single-mode optical module while a multimode optical fiber can only be used with a multimode optical module. On most optical modules, the fibers of different types cannot be used together.

Component	No.	Applicable Scope	Check Item
	2	General	The labels of pluggable optical modules are smoothly attached and intact, and cannot be covered by the optical modules.
	3	General	If a short-distance optical fiber is used for a long-distance optical module, especially in loopback scenarios, use an optical attenuator to prevent the optical module from being burnt.