



**RRU3201**

# **Installation Guide**

**Issue**      **06**

**Date**        **2012-04-16**

**Copyright © Huawei Technologies Co., Ltd. 2012. All rights reserved.**

No part of this document may be reproduced or transmitted in any form or by any means without prior written consent of Huawei Technologies Co., Ltd.

## **Trademarks and Permissions**



HUAWEI and other Huawei trademarks are trademarks of Huawei Technologies Co., Ltd.

All other trademarks and trade names mentioned in this document are the property of their respective holders.

## **Notice**

The purchased products, services and features are stipulated by the contract made between Huawei and the customer. All or part of the products, services and features described in this document may not be within the purchase scope or the usage scope. Unless otherwise specified in the contract, all statements, information, and recommendations in this document are provided "AS IS" without warranties, guarantees or representations of any kind, either express or implied.

The information in this document is subject to change without notice. Every effort has been made in the preparation of this document to ensure accuracy of the contents, but all statements, information, and recommendations in this document do not constitute the warranty of any kind, express or implied.

## **Huawei Technologies Co., Ltd.**

Address: Huawei Industrial Base  
Bantian, Longgang  
Shenzhen 518129  
People's Republic of China

Website: <http://www.huawei.com>

Email: [support@huawei.com](mailto:support@huawei.com)

---

# About This Document

---

## Purpose

This document describes the process of installing a DC RRU3201 (referred to as RRU in this document).

## Product Versions

The following table lists the product versions related to this document.

Product Name	Product Version
DBS3900	V100R004C00 and later versions
DBS3900 LTE	V100R003C00 and later versions

## Intended Audience

This document is intended for:

Base station installation engineers

## Organization

### [1 Changes in the RRU3201 Installation Guide](#)

This chapter describes the changes in the *RRU3201 Installation Guide*.

### [2 Installation Preparations](#)

This chapter describes the reference documents, tools, and instruments that must be ready before the installation. In addition, it specifies the skills and prerequisites that installation engineers must have.

### [3 Information About the Installation](#)

Before installing an RRU, you must be familiar with its exterior, ports, installation options, physical supports, and installation clearance requirements.

### [4 Unpacking the Equipment](#)

This chapter describes how to unpack and check the delivered equipment to ensure that all the materials are included and intact.

## 5 Installation Process

The installation process involves installing an RRU and RRU cables, checking the RRU hardware installation, and powering on the RRU.

## 6 Hoisting an RRU and Related Cables onto a Tower

This section describes the procedure for hoisting an RRU and related cables onto a tower and the precautions that must be taken.

## 7 Installing the RRU

This chapter describes the procedure for installing the RRU. The RRU can be installed on a pole, U-steel, angle steel, or wall. The procedure for installing the RRU varies depending on installation options.

## 8 Installing RRU Cables

This chapter describes the procedure for installing RRU cables.

## 9 Checking the RRU Hardware Installation

After an RRU is installed, check the hardware installation.

## 10 Powering On an RRU

After all the devices are installed, check the power-on status of an RRU.






## 11 Appendix

This section describes the procedure for adding OT terminals.

## Conventions

### Symbol Conventions

The symbols that may be found in this document are defined as follows.

Symbol	Description
 <b>DANGER</b>	Indicates a hazard with a high level of risk, which if not avoided, will result in death or serious injury.
 <b>WARNING</b>	Indicates a hazard with a medium or low level of risk, which if not avoided, could result in minor or moderate injury.
 <b>CAUTION</b>	Indicates a potentially hazardous situation, which if not avoided, could result in equipment damage, data loss, performance degradation, or unexpected results.
 <b>TIP</b>	Indicates a tip that may help you solve a problem or save time.
 <b>NOTE</b>	Provides additional information to emphasize or supplement important points of the main text.

### General Conventions

The general conventions that may be found in this document are defined as follows.

Convention	Description
Times New Roman	Normal paragraphs are in Times New Roman.
<b>Boldface</b>	Names of files, directories, folders, and users are in <b>boldface</b> . For example, log in as user <b>root</b> .
<i>Italic</i>	Book titles are in <i>italics</i> .
Courier New	Examples of information displayed on the screen are in Courier New.

### Command Conventions

The command conventions that may be found in this document are defined as follows.

Convention	Description
<b>Boldface</b>	The keywords of a command line are in <b>boldface</b> .
<i>Italic</i>	Command arguments are in <i>italics</i> .
[ ]	Items (keywords or arguments) in brackets [ ] are optional.
{ x   y   ... }	Optional items are grouped in braces and separated by vertical bars. One item is selected.
[ x   y   ... ]	Optional items are grouped in brackets and separated by vertical bars. One item is selected or no item is selected.
{ x   y   ... }*	Optional items are grouped in braces and separated by vertical bars. A minimum of one item or a maximum of all items can be selected.
[ x   y   ... ]*	Optional items are grouped in brackets and separated by vertical bars. Several items or no item can be selected.

### GUI Conventions

The GUI conventions that may be found in this document are defined as follows.

Convention	Description
<b>Boldface</b>	Buttons, menus, parameters, tabs, window, and dialog titles are in <b>boldface</b> . For example, click <b>OK</b> .

Convention	Description
>	Multi-level menus are in <b>boldface</b> and separated by the ">" signs. For example, choose <b>File &gt; Create &gt; Folder</b> .

### Keyboard Operations

The keyboard operations that may be found in this document are defined as follows.

Format	Description
<b>Key</b>	Press the key. For example, press <b>Enter</b> and press <b>Tab</b> .
<b>Key 1+Key 2</b>	Press the keys concurrently. For example, pressing <b>Ctrl+Alt+A</b> means the three keys should be pressed concurrently.
<b>Key 1, Key 2</b>	Press the keys in turn. For example, pressing <b>Alt, A</b> means the two keys should be pressed in turn.

### Mouse Operations

The mouse operations that may be found in this document are defined as follows.

Action	Description
Click	Select and release the primary mouse button without moving the pointer.
Double-click	Press the primary mouse button twice continuously and quickly without moving the pointer.
Drag	Press and hold the primary mouse button and move the pointer to a certain position.

---

# Contents

---

<b>About This Document.....</b>	<b>ii</b>
<b>1 Changes in the RRU3201 Installation Guide.....</b>	<b>1</b>
<b>2 Installation Preparations.....</b>	<b>4</b>
2.1 Reference Documents.....	5
2.2 Tools and Instruments.....	5
2.3 Skills and Requirements for Onsite Personnel.....	6
<b>3 Information About the Installation.....</b>	<b>7</b>
3.1 RRU Exterior.....	8
3.2 RRU Ports.....	9
3.3 RRU Indicators.....	10
3.4 Installation Options.....	12
3.5 Installation Clearance Requirements of an RRU.....	16
3.5.1 Installation Clearance for a Single RRU.....	17
3.5.2 Installation Clearance for Multiple RRUs.....	18
3.5.3 Installation Spacing Between RRUs.....	21
<b>4 Unpacking the Equipment.....</b>	<b>25</b>
<b>5 Installation Process.....</b>	<b>27</b>
<b>6 Hoisting an RRU and Related Cables onto a Tower.....</b>	<b>28</b>
6.1 Hoisting an RRU onto a Tower.....	29
6.2 Hoisting Fiber Optic Cables onto a Tower.....	32
6.3 Hoisting Power Cables onto a Tower.....	35
<b>7 Installing the RRU.....</b>	<b>37</b>
7.1 Mounting Kits for an RRU.....	38
7.2 Installing the RRU on a Pole.....	38
7.2.1 Installing a Single RRU.....	41
7.2.2 Installing Two RRUs.....	43
7.2.3 Installing Multiple RRUs.....	46
7.3 Installing the RRU on U-steel.....	49
7.4 Installing the RRU on Angle Steel.....	53
7.5 Installing the RRU on a Wall.....	56

<b>8 Installing RRU Cables.....</b>	<b>61</b>
8.1 Cabling Requirements.....	62
8.2 Cable Connections.....	67
8.3 Installation Process.....	68
8.4 RRU Cable List.....	69
8.5 Installing an RRU PGND Cable.....	70
8.6 Installing an RRU RF Jumper.....	71
8.7 Installing an RRU AISG Multi-Wire Cable and AISG Extension Cable.....	74
8.8 Opening the Cover Plate of an RRU Cabling Cavity.....	76
8.9 Installing an RRU power cable.....	78
8.10 Installing a CPRI Fiber Optic Cable.....	80
8.11 Closing the Cover Plate of an RRU Cabling Cavity.....	82
<b>9 Checking the RRU Hardware Installation.....</b>	<b>84</b>
<b>10 Powering On an RRU.....</b>	<b>85</b>
<b>11 Appendix.....</b>	<b>86</b>
11.1 Adding OT Terminals to the RRU Power Cable on the RRU Side.....	87



# 1 Changes in the RRU3201 Installation Guide

---

This chapter describes the changes in the *RRU3201 Installation Guide*.

## 06 (2012-04-16)

This is the sixth official release.

Compared with issue 05 (2012-01-10), this issue does not include any new information.

Compared with issue 05 (2012-01-10), this issue includes the following change:

Topic	Change Description
<a href="#">3.4 Installation Options</a>	Optimized the contents in this document.

Compared with issue 05 (2012-01-10), no information is deleted from this issue.

## 05 (2012-01-10)

This is the fifth official release.

Compared with issue 04 (2011-09-15), this issue includes the following new information:

- [6 Hoisting an RRU and Related Cables onto a Tower](#)
- [6.2 Hoisting Fiber Optic Cables onto a Tower](#)
- [6.3 Hoisting Power Cables onto a Tower](#)

Compared with issue 04 (2011-09-15), this issue includes the following changes:

Topic	Change Description
<a href="#">4 Unpacking the Equipment</a>	Added the requirements for powering on the cabinet and module.
<a href="#">8.1 Cabling Requirements</a>	Optimized cabling requirements.

Compared with issue 04 (2011-09-15), no information is deleted from this issue.

## 04 (2011-09-15)

This is the fourth official release.

Compared with issue 03 (2011-07-08), this issue does not include any new information.

Compared with issue 03 (2011-07-08), this issue includes the following changes:

Topic	Change Description
<b>3.2 RRU Ports</b>	Optimized the description of the ports for transmitting RET signals.
<b>10 Powering On an RRU</b>	Optimized the RRU power-on check procedure.

Compared with issue 03 (2011-07-08), no information is deleted from this issue.

## 03 (2011-07-08)

This is the third official release.

Compared with issue 02 (2011-06-10), this issue does not include any new information.

Compared with issue 02 (2011-06-10), this issue includes the following change:

Topic	Change Description
<b>3.5.2 Installation Clearance for Multiple RRUs</b>	Optimized the clearance requirements for multiple RRUs installed on a wall in standard mode.

Compared with issue 02 (2011-06-10), no information is deleted from this issue.

## 02 (2011-06-10)

This is the second official release.

Compared with issue 01 (2011-01-20), this issue does not include any new information.

Compared with issue 01 (2011-01-20), this issue includes the following change:

Topic	Change Description
<b>8.6 Installing an RRU RF Jumper</b>	Optimized the procedure for waterproofing the connectors on an RRU RF jumper.

Compared with issue 01 (2011-01-20), no information is deleted from this issue.

## 01 (2011-01-20)

This is the first official release.

Compared with draft A (2010-12-15), this issue does not include any new information.

Compared with draft A (2010-12-15), this issue includes the following changes:

Topic	Change Description
<b>8.6 Installing an RRU RF Jumper</b>	Added the procedures for installing DC blocks when RRUs are installed in tunnels of AC-powered electric railways.
<b>8.10 Installing a CPRI Fiber Optic Cable</b>	Added optical module types and rates.

Compared with draft A (2010-12-15), no information is deleted from this issue.

## Draft A (2010-12-15)

This is a draft.

Compared with issue 02 (2010-07-30) of V100R002C00, this issue does not include any new information.

Compared with issue 02 (2010-07-30) of V100R002C00, this issue does not include any changes.

Compared with issue 02 (2010-07-30) of V100R002C00, the following information is deleted from this issue:

Topic	Deletion Cause
Adding terminals to the RRU power cable on the power device side	The contents are the same as those in the <i>DBS3900 Installation Guide</i> .
Cable connections between an RRU and auxiliary devices	The contents are the same as those in the <i>DBS3900 Installation Guide</i> .

# 2 Installation Preparations

---

## About This Chapter

This chapter describes the reference documents, tools, and instruments that must be ready before the installation. In addition, it specifies the skills and prerequisites that installation engineers must have.

### [2.1 Reference Documents](#)

Before the installation, you must be familiar with reference documents.

### [2.2 Tools and Instruments](#)

All tools and instruments required for RRU installation must be ready before the installation.

### [2.3 Skills and Requirements for Onsite Personnel](#)

Onsite personnel must be qualified and trained. Before performing any operation, onsite personnel must be familiar with correct operation methods and safety precautions.

## 2.1 Reference Documents

Before the installation, you must be familiar with reference documents.

The following reference documents are required during RRU installation:

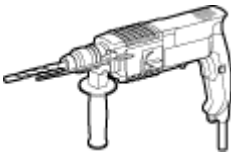
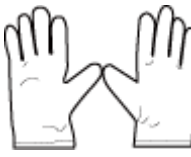






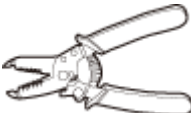



- RRU3201 Hardware Description
- DBS3900 Installation Guide
- OCB User Guide









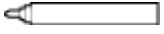

This document describes the RRU installation on a pole, U-steel, angle steel, or wall. If RRUs are installed on the IFS06, the following reference document is required:

- DBS3900 (ICR) Installation Guide

## 2.2 Tools and Instruments

All tools and instruments required for RRU installation must be ready before the installation.

<p>Hammer drill (a <math>\phi</math> 14 bit)</p> 	<p>ESD gloves</p> 	<p>Vacuum cleaner</p> 
<p>Heat gun</p> 	<p>Phillips screwdriver (M3 to M6)</p> 	<p>Flat-head screwdriver (M3 to M6)</p> 
<p>Rubber mallet</p> 	<p>COAX crimping tool</p> 	<p>Wire stripper</p> 
<p>Utility knife</p> 	<p>Cable cutter</p> 	<p>Adjustable wrench (capacity <math>\geq</math> 32 mm [1.26 in.])</p> 

<p>Level</p> 	<p>Torque screwdriver</p>   <p>5 mm</p>  <p>(M3 to M6)</p>  <p>(M3 to M6)</p>	<p>Torque wrench</p>  <p>Capacity: 17 mm [0.67 in.], 21 mm [0.82 in.], and 32 mm [1.26 in.]</p> <p>Combination wrench</p>  <p>Capacity: 17 mm [0.67 in.], 21 mm [0.82 in.], and 32 mm [1.26 in.]</p>
<p>Multimeter</p> 	<p>Marker (diameter <math>\leq 10</math> mm [0.39 in.])</p> 	<p>Measuring tape</p> 

## 2.3 Skills and Requirements for Onsite Personnel

Onsite personnel must be qualified and trained. Before performing any operation, onsite personnel must be familiar with correct operation methods and safety precautions.

Before the installation, pay attention to the following items:

- The customer's technical engineers must be trained by Huawei and be familiar with the proper installation and operation methods.
- The number of onsite personnel depends on the engineering schedule and installation environment. Generally, only three to five onsite personnel are necessary.

# 3 Information About the Installation

---

## About This Chapter

Before installing an RRU, you must be familiar with its exterior, ports, installation options, physical supports, and installation clearance requirements.

### [3.1 RRU Exterior](#)

This section describes the exterior and dimensions of an RRU.

### [3.2 RRU Ports](#)

This section describes RRU ports positioned on the RRU panels. An RRU has a bottom panel, cabling cavity panel, and indicator panel.

### [3.3 RRU Indicators](#)

This section describes six indicators on an RRU. They indicate the running status.

### [3.4 Installation Options](#)

This section describes RRU installation options. An RRU can be installed on a pole, U-steel, angle steel, or wall.

### [3.5 Installation Clearance Requirements of an RRU](#)

This section describes the requirements for the installation clearance of a single RRU and multiple RRUs and the requirements for the installation spacing between RRUs.

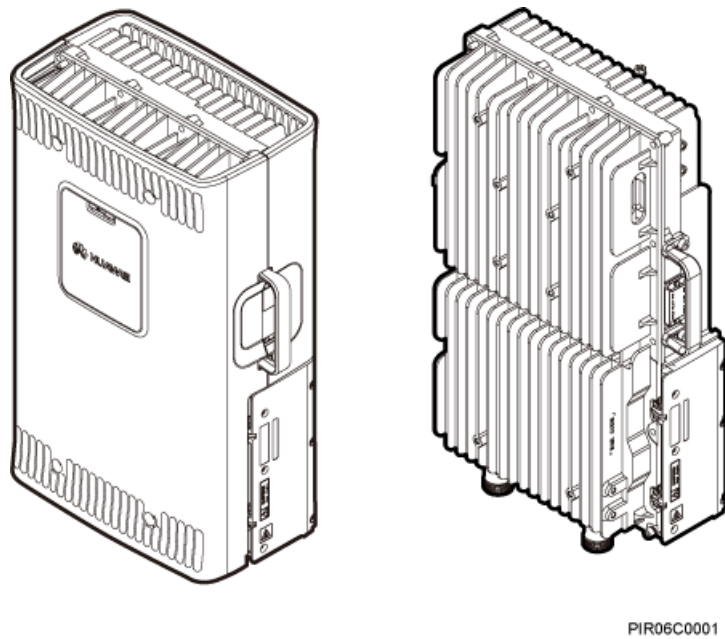
## 3.1 RRU Exterior

This section describes the exterior and dimensions of an RRU.

**Figure 3-1** shows an RRU.

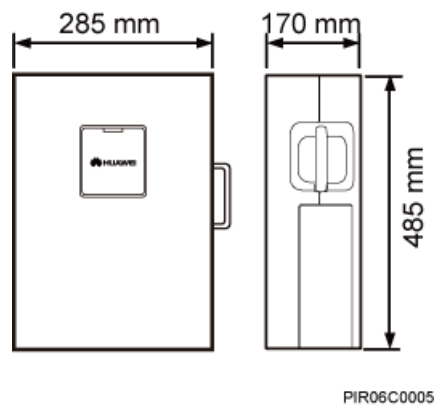
The RRU on the left has a housing, and the RRU on the right does not have a housing.

**Figure 3-1** RRU exterior



**Figure 3-2** shows RRU dimensions.

**Figure 3-2** RRU dimensions



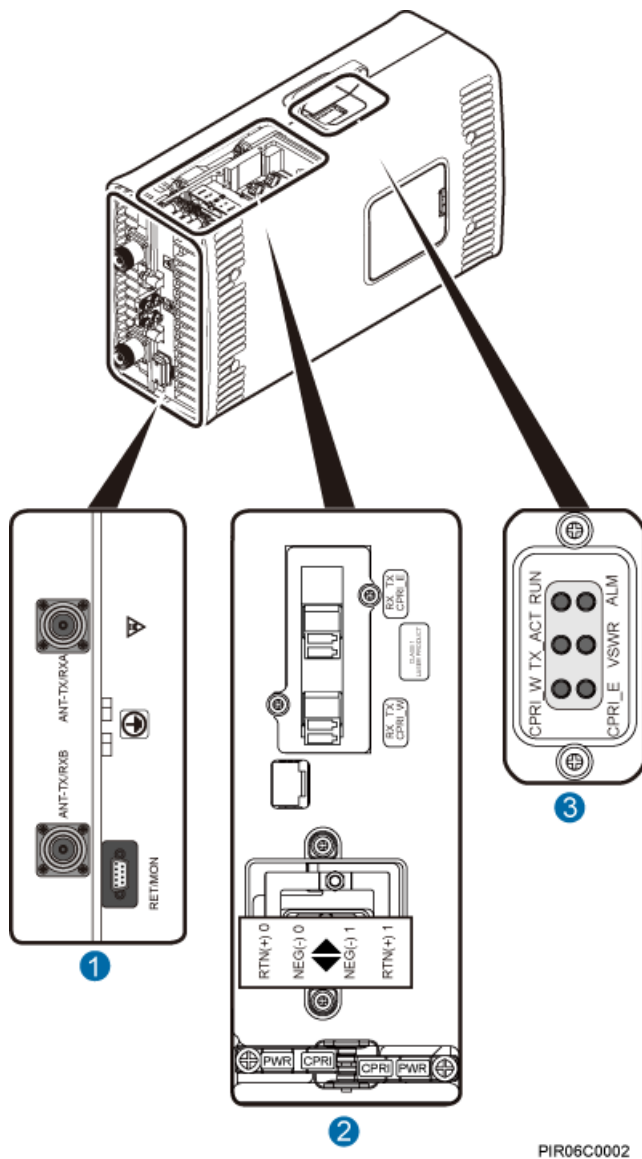


## 3.2 RRU Ports

This section describes RRU ports positioned on the RRU panels. An RRU has a bottom panel, cabling cavity panel, and indicator panel.

**Figure 3-3** shows RRU ports on the panels.

**Figure 3-3** RRU ports on the panels



**Table 3-1** describes RRU ports and indicators on the panels.

**Table 3-1** RRU ports and indicators on the panels

Item	Label	Description
(1) Ports at the bottom	ANT-TX/RXA	TX/RX port A, supporting RET signal transmission
	ANT-TX/RXB	TX/RX port B
	RET/MON	Communication port for the RET antenna, supporting RET signal transmission
(2) Ports in the cabling cavity	CPRI_E	Eastbound optical port
	CPRI_W	Westbound optical port
	RTN(+) NEG(-)0	Main power supply socket
	RTN(+) NEG(-)1	
	RTN(+) NEG(-)1	Power supply socket for cascaded RRUs
	NEG(-) NEG(-)1	
(3) Indicators	RUN	For details, see <a href="#">3.3 RRU Indicators</a> .
	ALM	
	TX_ACT	
	VSWR	
	CPRI_W	
	CPRI_E	



**NOTE**

The port for transmitting RET signals is determined by the software.

## 3.3 RRU Indicators

This section describes six indicators on an RRU. They indicate the running status.

For detailed positions of RRU indicators, see [3.2 RRU Ports](#).

[Table 3-2](#) describes RRU indicators.

**Table 3-2** RRU indicators

Label	Color	Status	Description
RUN	Green	Steady on	There is power supply, but the module is faulty.

Label	Color	Status	Description
		Steady off	There is no power supply, or the module is faulty.
		Blinking (on for 1s and off for 1s)	The module is working properly.
		Blinking (on for 0.125s and off for 0.125s)	Software is being loaded to the module, or the module is not started.
ALM	Red	Steady on	Alarms are generated, and the module must be replaced.
		Blinking (on for 1s and off for 1s)	Alarms are generated. The alarms may be caused by the faults on the related boards or ports. Therefore, the necessity for module replacement is uncertain.
		Steady off	No alarm is generated.
TX_ACT	Green	Steady on	The module is working properly with TX channels enabled.
		Blinking (on for 1s and off for 1s)	The module is working properly with TX channels disabled.
VSWR	Red	Steady off	No VSWR alarm is generated.
		Steady on	VSWR alarms are generated on the ANT-TX/RXA port.
		Blinking (on for 1s and off for 1s)	VSWR alarms are generated on the ANT-TX/RXB port.
		Blinking (on for 0.125s and off for 0.125s)	VSWR alarms are generated on the ANT-TX/RXA and ANT-TX/RXB ports.
CPRI_W	Red and green	Steady green	The CPRI link is available.
		Steady red	An optical module fails to transmit or receive signals because the optical module is faulty or the fiber optic cable is broken.
		Blinking red (on for 1s and off for 1s)	The CPRI link is out of lock because of mutual lock of dual-mode clock sources or mismatched data rates over CPRI ports (you are advised to check the system configuration to identify the fault).
		Steady off	The SFP module is not properly installed, or the optical module is powered off.
CPRI_E	Red and green	Steady green	The CPRI link is available.

Label	Color	Status	Description
		Steady red	An optical module fails to transmit or receive signals because the optical module is faulty or the fiber optic cable is broken.
		Blinking red (on for 1s and off for 1s)	The CPRI link is out of lock because of mutual lock of dual-mode clock sources or mismatched data rates over CPRI ports (you are advised to check the system configuration to identify the fault).
		Steady off	The SFP module is not properly installed, or the optical module is powered off.

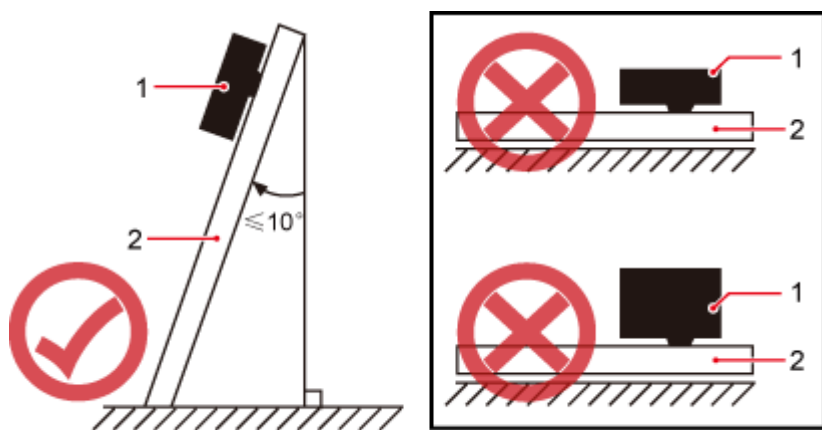
### 3.4 Installation Options

This section describes RRU installation options. An RRU can be installed on a pole, U-steel, angle steel, or wall.



The vertical deviation angle of an RRU must be less than or equal to 10 degrees, as shown in [Figure 3-4](#).

**Figure 3-4** Requirements for the vertical deviation angle of an RRU



HIR06C0002

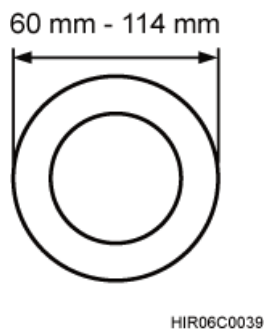
(1) RRU

(2) Pole, U-steel, angle steel, or wall

#### Installing an RRU on a Pole

[Figure 3-5](#) shows the diameter of a pole for installing an RRU.

**Figure 3-5** Diameter of a pole

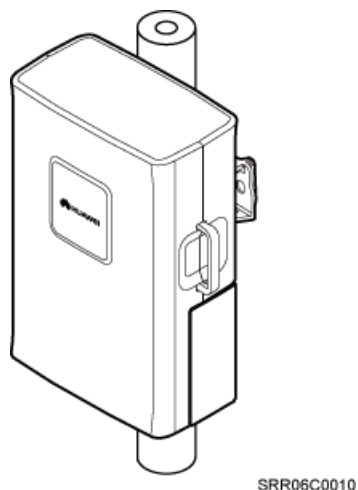


**CAUTION**

- The diameter of a pole for installing an RRU ranges from 60 mm (2.36 in.) to 114 mm (4.49 in.). The recommended diameter is 80 mm (3.15 in.).
  - If the diameter of a pole ranges from 60 mm (2.36 in.) to 76 mm (2.99 in.), a maximum of two RRUs can be installed on the pole and the side-mounted installation is not recommended.
  - If three or more RRUs must be installed on a pole in centralized mode, the diameter of the pole must range from 76 mm (2.99 in.) mm to 114 mm (4.49 in.).
- 

**Figure 3-6** shows an RRU installed on a pole.

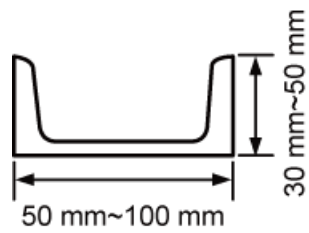
**Figure 3-6** RRU installed on a pole



## Installing an RRU on U-steel

**Figure 3-7** shows U-steel specifications.

**Figure 3-7** U-steel specifications



HIR06C0037



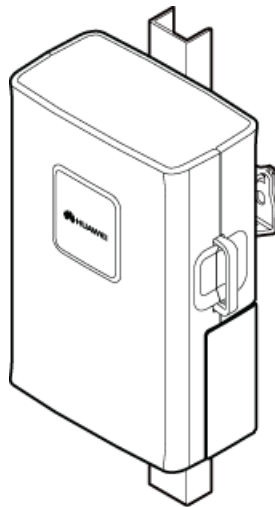
**CAUTION**

It is recommended that only one RRU be installed on U-steel.

---

**Figure 3-8** shows an RRU installed on U-steel.

**Figure 3-8** RRU installed on U-steel

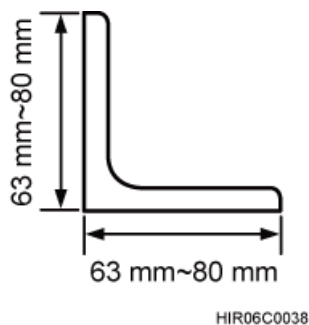


HIR06C0018

## Installing an RRU on Angle Steel

**Figure 3-9** shows angle steel specifications.

**Figure 3-9** Angle steel specifications



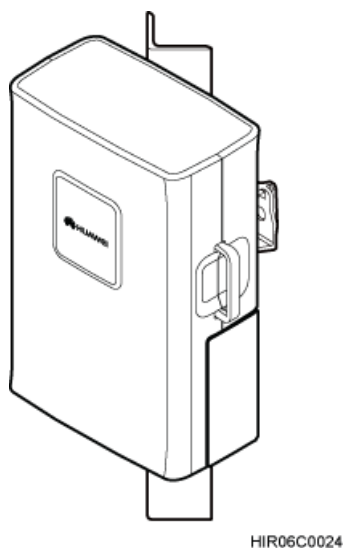
**CAUTION**

It is recommended that only one RRU be installed on angle steel.

---

**Figure 3-10** shows an RRU installed on angle steel.

**Figure 3-10** RRU installed on angle steel



## Installing an RRU on a Wall

The wall on which RRUs are installed must meet the following requirements:

- When a single RRU is installed, the wall has a capacity of bearing at least four times the weight of the RRU.
- Expansion bolts must be tightened to 30 N·m (265.52 lbf·in.) to ensure the bolts work properly and the wall remains intact without cracks in it.

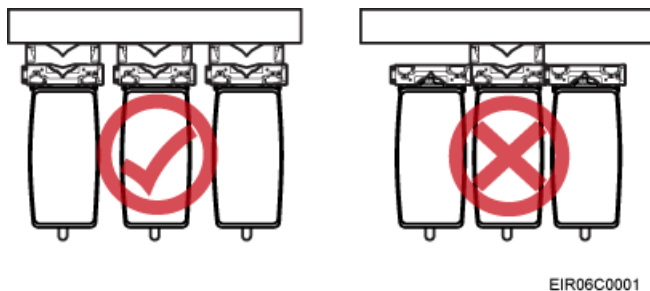
---

 **CAUTION**

The brackets cannot be combined when RRUs are installed on a wall, as shown in [Figure 3-11](#).

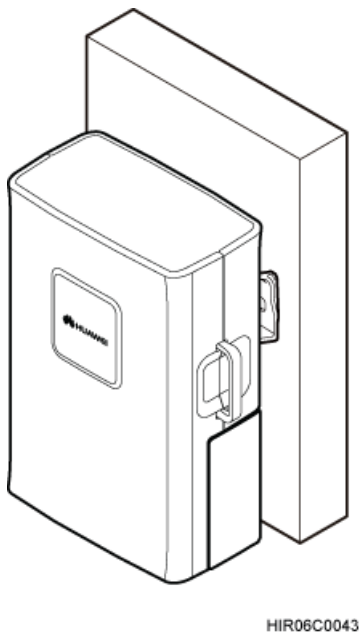
---

**Figure 3-11** Correct placement of brackets



[Figure 3-12](#) shows an RRU installed on a wall.

**Figure 3-12** RRU installed on a wall



## 3.5 Installation Clearance Requirements of an RRU

This section describes the requirements for the installation clearance of a single RRU and multiple RRUs and the requirements for the installation spacing between RRUs.



 **NOTE**

The recommended installation clearance ensures normal running and provides an appropriate space for Operation and Maintenance (O&M). If there is sufficient space, leave the recommended installation clearance.

The minimum installation clearance ensures normal running and heat dissipation, but OM activities such as checking indicator status and opening the maintenance cavity cannot be properly conducted. If the installation space is restricted, leave the minimum installation clearance.

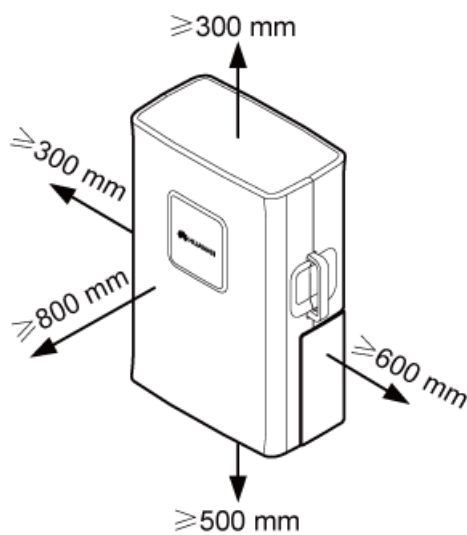
### 3.5.1 Installation Clearance for a Single RRU

This section describes the recommended and minimum installation clearance for a single RRU.

#### Recommended Installation Clearance for a Single RRU

**Figure 3-13** shows the recommended installation clearance for a single RRU.

**Figure 3-13** Recommended installation clearance for a single RRU

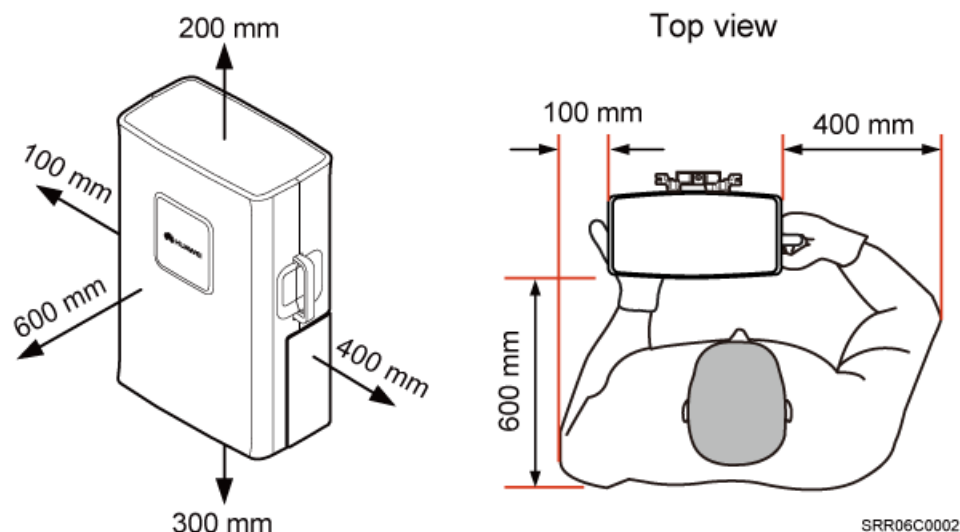


SRR06C0001

#### Minimum Installation Clearance for a Single RRU

**Figure 3-14** shows the minimum installation clearance for a single RRU.

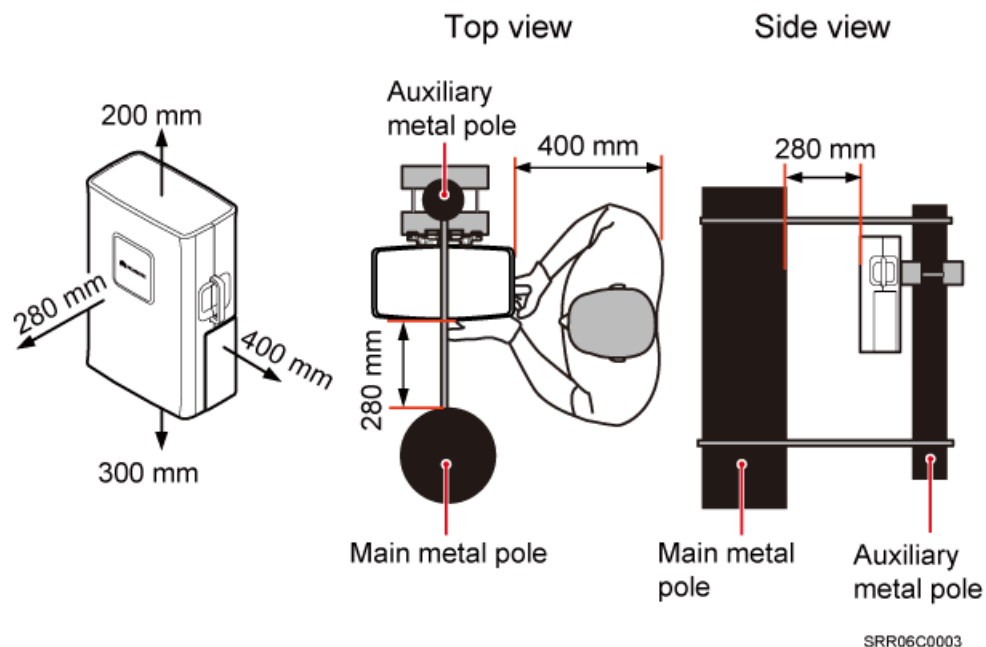
**Figure 3-14** Minimum installation clearance for a single RRU



### Minimum Installation Clearance for a Single RRU Installed on a Tower

**Figure 3-15** shows the minimum installation clearance for a single RRU installed on a tower.

**Figure 3-15** Minimum installation clearance for a single RRU installed on a tower



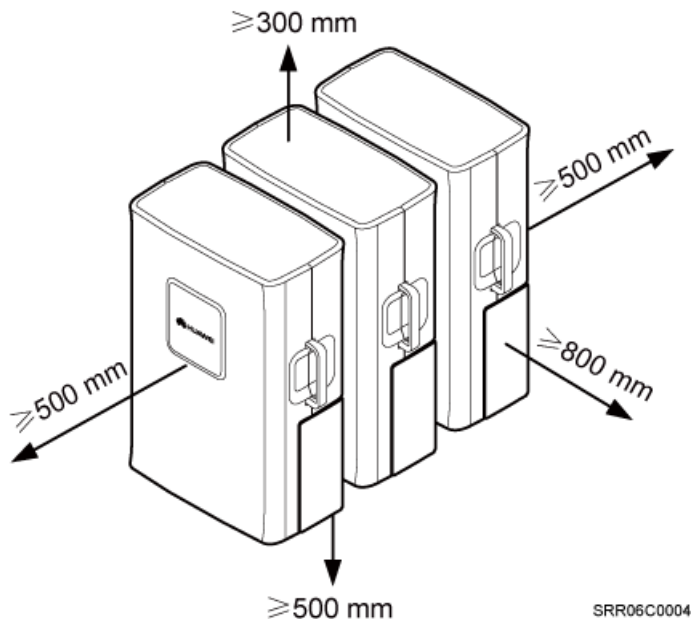
### 3.5.2 Installation Clearance for Multiple RRUs

This section describes the recommended and minimum installation clearance for multiple RRUs.

## Recommended Installation Clearance for Multiple RRUs Installed in Centralized Mode

Figure 3-16 shows the recommended installation clearance for multiple RRUs installed in centralized mode.

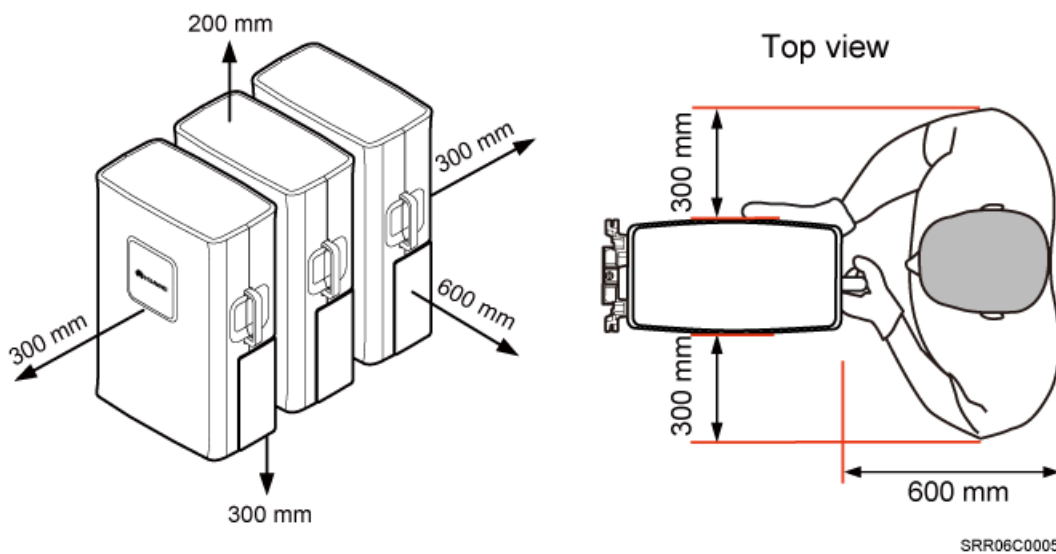
Figure 3-16 Recommended installation clearance for multiple RRUs installed in centralized mode



## Minimum Installation Clearance for Multiple RRUs Installed in Centralized Mode

Figure 3-17 shows the minimum installation clearance for multiple RRUs installed in centralized mode.

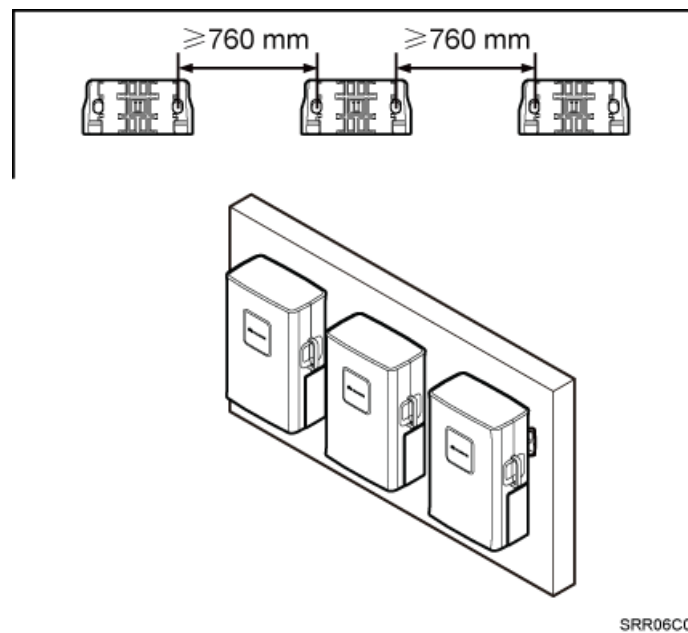
Figure 3-17 Minimum installation clearance for multiple RRUs installed in centralized mode



## Recommended Clearance for Multiple RRUs Installed on a Wall in Standard Mode

**Figure 3-18** shows the recommended clearance for multiple RRUs installed on a wall in standard mode.

**Figure 3-18** Recommended clearance for multiple RRUs installed on a wall in standard mode

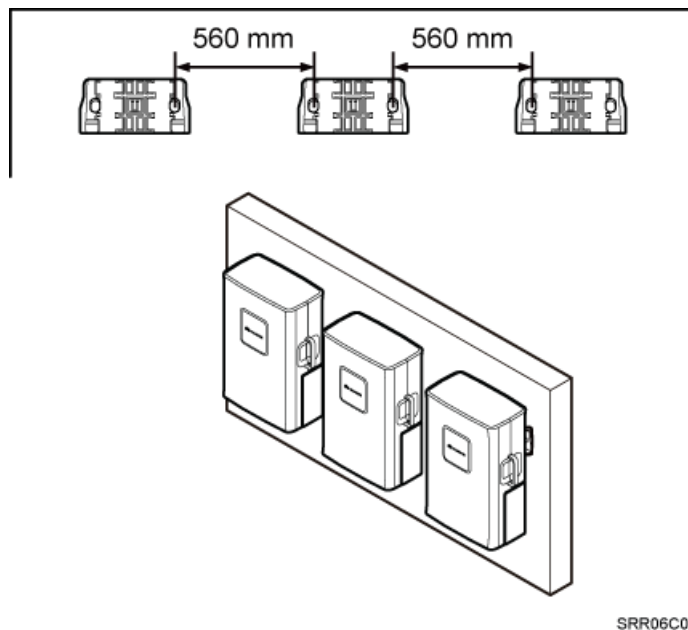


SRR06C0015

## Minimum Clearance for Multiple RRUs Installed on a Wall in Standard Mode

**Figure 3-19** shows the minimum clearance for multiple RRUs installed on a wall in standard mode.

**Figure 3-19** Minimum clearance for multiple RRUs installed on a wall in standard mode

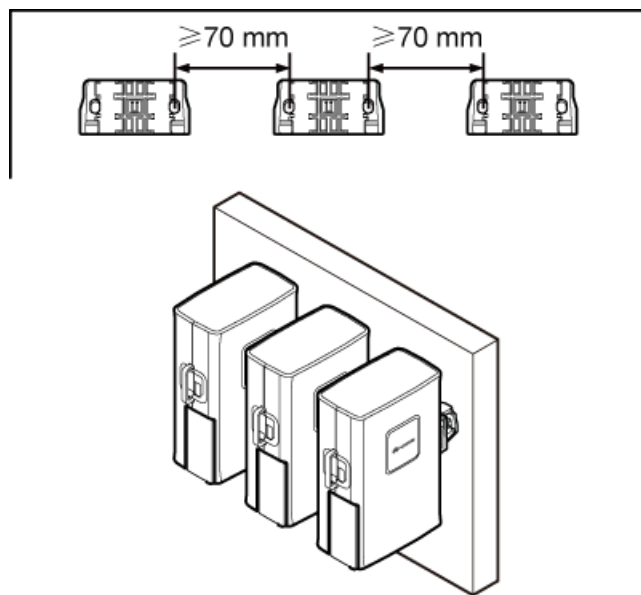


SRR06C0016

### Recommended Clearance for Multiple RRUs Side-Mounted on a Wall

**Figure 3-20** shows the recommended clearance for multiple RRUs side-mounted on a wall.

**Figure 3-20** Recommended clearance for multiple RRUs side-mounted on a wall



SRR06C0017

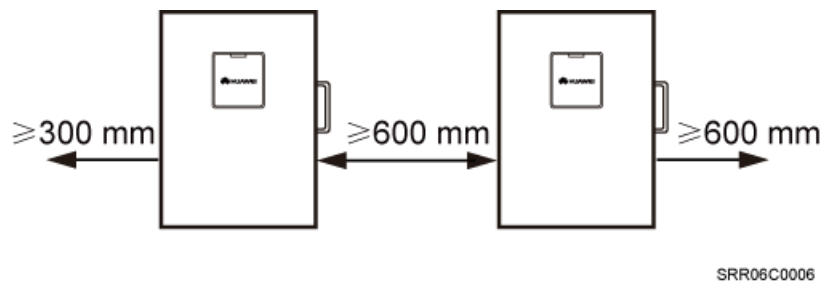
### 3.5.3 Installation Spacing Between RRUs

This section describes the horizontal and vertical installation spacing between RRUs.

## Recommended Horizontal Spacing Between RRUs

Figure 3-21 shows the recommended horizontal spacing between RRUs.

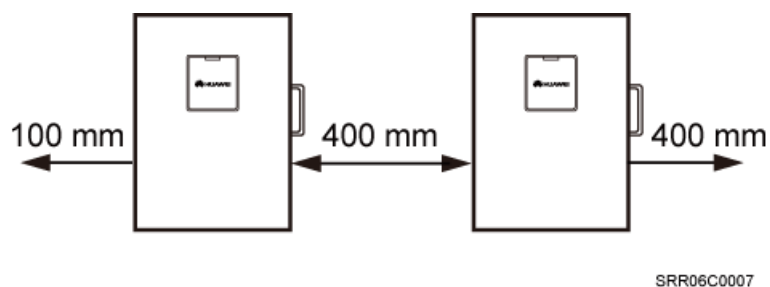
Figure 3-21 Recommended horizontal spacing between RRUs



## Minimum Horizontal Spacing Between RRUs

Figure 3-22 shows the minimum horizontal spacing between RRUs.

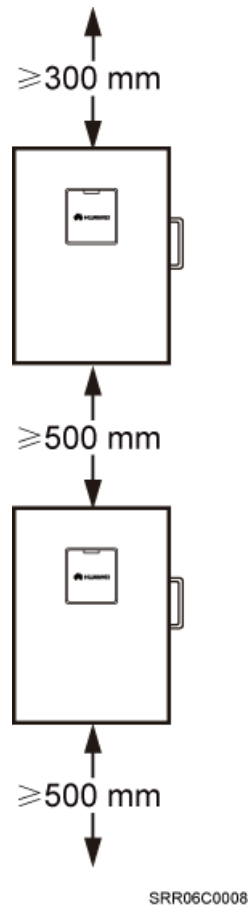
Figure 3-22 Minimum horizontal spacing between RRUs



## Recommended Vertical Spacing Between RRUs

Figure 3-23 shows the recommended vertical spacing between RRUs.

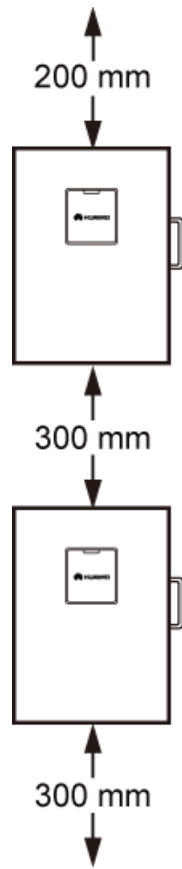
**Figure 3-23** Recommended vertical spacing between RRUs



## Minimum Vertical Spacing Between RRUs

**Figure 3-24** shows the minimum vertical spacing between RRUs.

Figure 3-24 Minimum vertical spacing between RRUs



SRR06C0009



# 4 Unpacking the Equipment

This chapter describes how to unpack and check the delivered equipment to ensure that all the materials are included and intact.

## Context

 **NOTE**

When transporting, moving, or installing the equipment, components, or parts, you must:

- Prevent them from colliding with doors, walls, shelves, or other objects.
- Wear clean gloves, and avoid touching the equipment, components, or parts with bare hands, sweat-soaked gloves, or dirty gloves.



## CAUTION

- After a cabinet or an BBU is unpacked, it must be powered on within 7 days.
- After an RRU is unpacked, it must be powered on within 24 hours.

## Procedure

**Step 1** Check the total number of articles in each case according to the packing list.

If ...	Then ...
The total number tallies with the packing list	Go to <a href="#">Step 2</a> .
The total number does not tally with the packing list	Find out the cause and report any missing articles to the local Huawei office.

**Step 2** Check the exterior of the packing case.

If ...	Then ...
The outer packing is intact	Go to <b>Step 3</b> .
The outer packing is severely damaged or soaked	Find out the cause and report it to the local Huawei office.
The vibrating indicator is red	Stop unpacking the wooden crate, and then report it to the transportation company.

**Step 3** Check the type and quantity of the equipment in the cases according to the packing list.

If ...	Then ...
Types and quantity of the article tally with those on the packing list	Sign the <i>Packing List</i> with the customer.
Either shipment shortage, wrong shipment or damaged articles.	Report to the local Huawei office.



### WARNING

To protect the equipment and prevent damage to the equipment, you are advised to keep the unpacked equipment and packing materials indoors, take photos of the stocking environment, packing case or carton, packing materials, and any rusted or eroded equipment, and then file the photos.

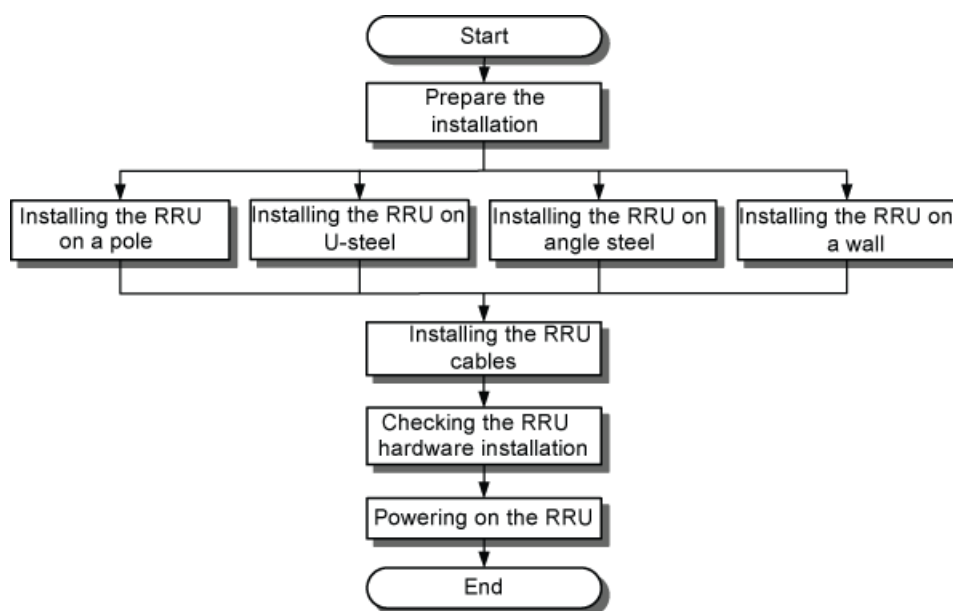
----End

# 5 Installation Process

The installation process involves installing an RRU and RRU cables, checking the RRU hardware installation, and powering on the RRU.

**Figure 5-1** shows the process of installing an RRU.

**Figure 5-1** Process of installing an RRU



IPR06C0001

# 6 Hoisting an RRU and Related Cables onto a Tower

---

## About This Chapter

This section describes the procedure for hoisting an RRU and related cables onto a tower and the precautions that must be taken.

### [6.1 Hoisting an RRU onto a Tower](#)

Before installing an RRU on a tower, bind the RRU and mounting kits and then hoist them onto the tower. The RRU can be installed on a pole, U-steel, or angle steel. This section describes the procedure for hoisting the RRU and mounting kits onto the tower and the precautions that must be taken.

### [6.2 Hoisting Fiber Optic Cables onto a Tower](#)

This section describes the procedure for hoisting fiber optic cables onto a tower and the precautions that must be taken.

### [6.3 Hoisting Power Cables onto a Tower](#)

This section describes the procedure for hoisting power cables onto a tower and the precautions that must be taken.

## 6.1 Hoisting an RRU onto a Tower

Before installing an RRU on a tower, bind the RRU and mounting kits and then hoist them onto the tower. The RRU can be installed on a pole, U-steel, or angle steel. This section describes the procedure for hoisting the RRU and mounting kits onto the tower and the precautions that must be taken.

### Prerequisites

Place a foam pad or cardboard on the ground to protect the housing of the RRU from damage before the binding. Do not stand the RRU upright because the load-bearing capacity of the RF ports at the RRU bottom is low.



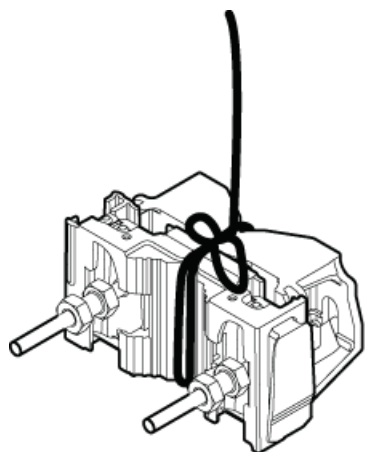
When installed on a tower, only one RRU can be installed in standard mode or reverse mode. Two RRUs cannot be installed on the side or on a pole in back-to-back mode, and the brackets for more than two RRUs cannot be combined.

---

### Procedure

**Step 1** Bind the RRU and mounting kits properly using a lifting sling, as shown in [Figure 6-1](#).

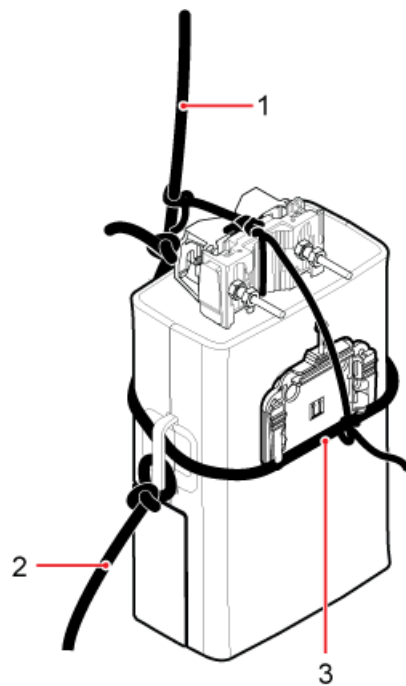
**Figure 6-1** Binding mounting kits for the RRU



HIR06C0033

**Step 2** Bind the RRU by leading the lifting sling along the bottom of the attachment plate and through the RRU handle. Then, bind mounting kits to the lifting sling and bind the RRU handle to the traction sling, as shown in [Figure 6-2](#).

Figure 6-2 Binding the RRU and mounting kits



HIR06C0035

(1) Lifting sling

(2) Traction sling

(3) Bottom of the attachment plate



**CAUTION**

- When hoisting the RRU and mounting kits onto the tower, protect them from colliding with the ground and tower.
- Hoist the RRU onto the tower before it is installed on a pole, angle steel, or U-steel.

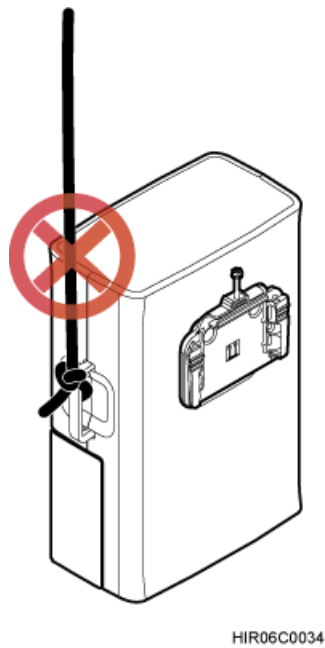


**CAUTION**

Do not hoist the RRU by the handle only, as shown in [Figure 6-3](#).

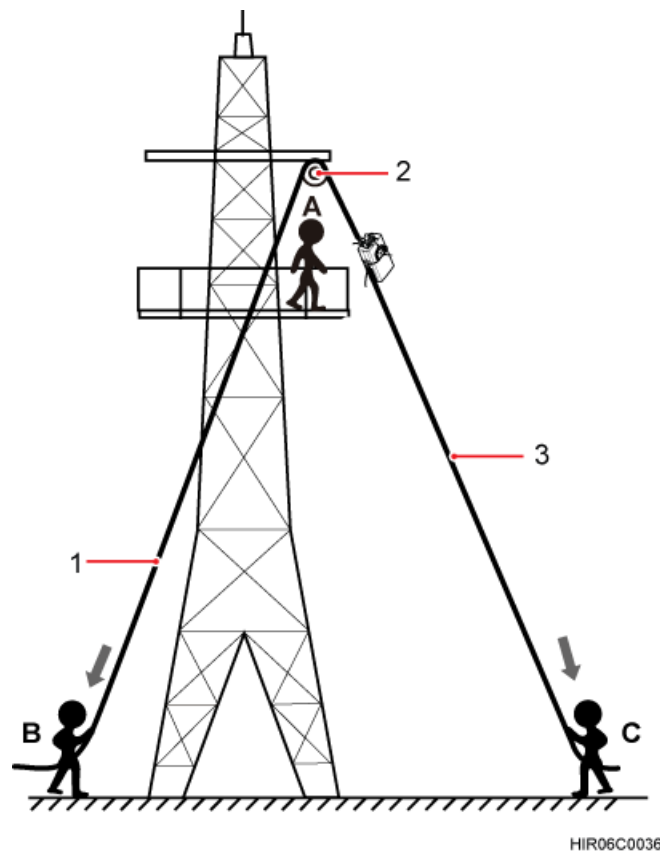
---

Figure 6-3 Incorrect binding method



Step 3 Hoist the RRU and mounting kits onto the tower, as shown in [Figure 6-4](#).

Figure 6-4 Hoisting the RRU and mounting kits onto the tower



(1) Lifting sling

(2) Fixed pulley

(3) Traction sling

1. After climbing up to the tower, installation engineer A secures the fixed pulley to the tower platform support and leads the lifting sling through the fixed pulley.
2. Installation engineer C binds the RRU and mounting kits using the lifting sling and secures the traction sling to the RRU handle.
3. Installation engineer B pulls the lifting sling downwards, and installation engineer C pulls the traction sling outwards to protect the RRU and mounting kits from colliding with the tower.
4. Installation engineer A catches the RRU and mounting kits and then unties the sling.

 **NOTE**

The procedure for hoisting the RRU and mounting kits onto the tower is for your reference only.

---End

## 6.2 Hoisting Fiber Optic Cables onto a Tower

This section describes the procedure for hoisting fiber optic cables onto a tower and the precautions that must be taken.

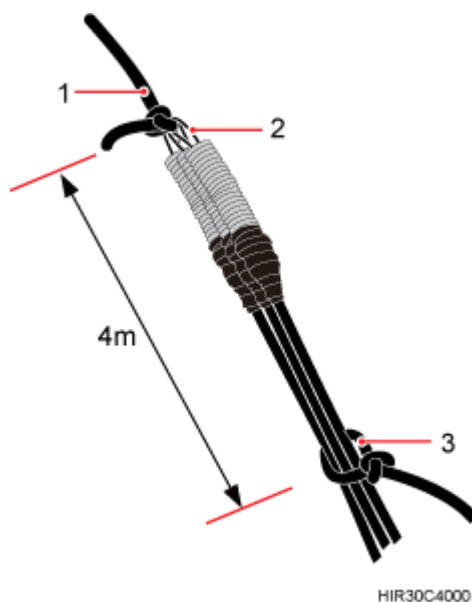
### Context

Cabling requirements for power cables are met. For details, see [8.1 Cabling Requirements](#).

### Procedure

- Step 1** Lead one sling through the stretch sling of the fiber optic cables and use the sling as a lifting sling, and use the other sling as a traction sling to secure the cables 4 m (13.12 ft.) away from the lifting sling, as shown in [Figure 6-5](#).

**Figure 6-5** Binding fiber optic cables



(1) Lifting sling

(2) Stretch sling

(3) Traction sling





**CAUTION**

Do not remove the stretch sling and protection pipe or bind fiber optic cables using one sling, as shown in [Figure 6-6](#).

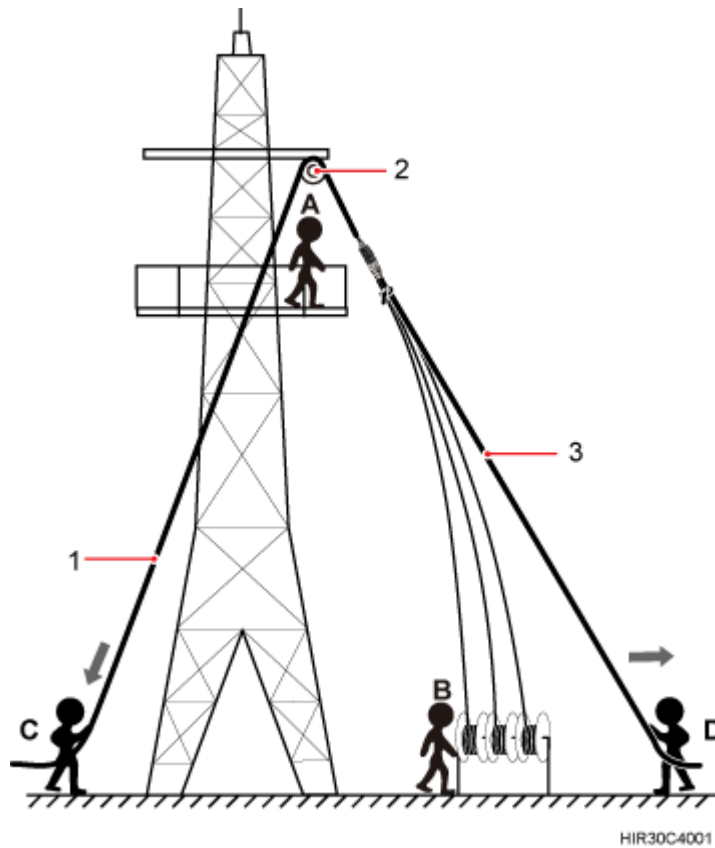
---

**Figure 6-6** Incorrect binding method



**Step 2** Hoist the fiber optic cables onto the tower, as shown in [Figure 6-7](#).

Figure 6-7 Hoisting fiber optic cables onto the tower



 **CAUTION**

Before hoisting fiber optic cables onto the tower, connect the fiber optic cables to the RRU or BBU based on the labels on both ends of the cables and determine the hoisting direction.

1. After climbing up to the tower, installation engineer A secures the fixed pulley to the tower platform support and leads the lifting sling through the fixed pulley.
2. Place the fiber coiler for coiling fiber optic cables on the fiber spools, and bind the fiber optic cables using the lifting sling and traction sling.
3. Installation engineer B rotates the fiber spools at the speed of 5 m (16.4 ft.) to 15 m (49.21 ft.) per minute to coil the fiber optic cables.
4. Installation engineer C pulls the lifting sling downwards, and installation engineer D pulls the traction sling outwards to protect the fiber optic cables from colliding with the tower.

**Step 3** Secure the fiber optic cables to the tower vertically using cable clips.

**Step 4** Remove the lifting sling, traction sling, and protection pipe.

 **NOTE**

The procedure for hoisting the fiber optic cables onto the tower is for your reference only.

----**End**

## 6.3 Hoisting Power Cables onto a Tower

This section describes the procedure for hoisting power cables onto a tower and the precautions that must be taken.

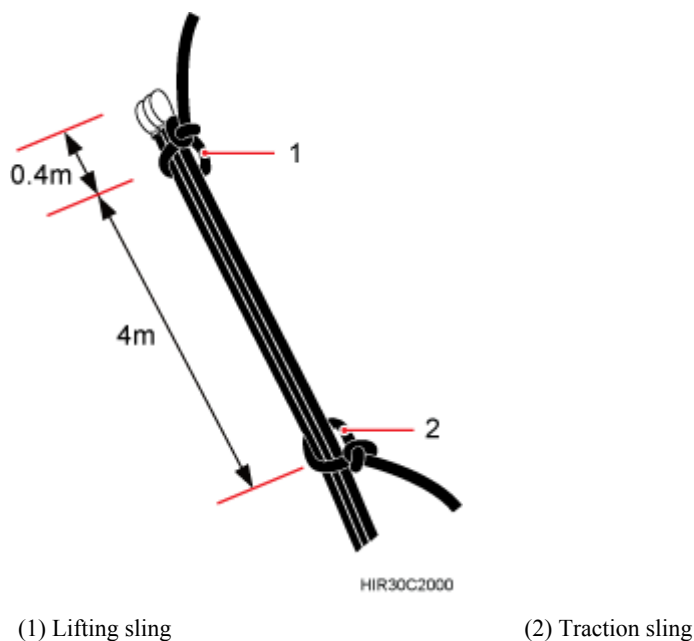
### Context

Cabling requirements for power cables are met. For details, see [8.1 Cabling Requirements](#).

### Procedure

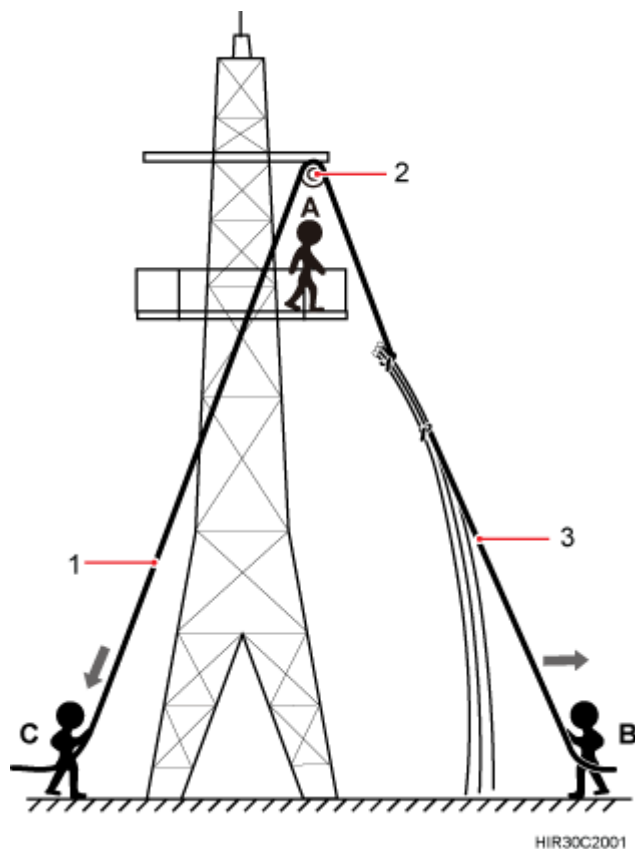
- Step 1** Wrap a packing bag or tape around power cable connectors, use a sling as a lifting sling to secure the power cables 0.4 m (1.31 ft.) away from the power connectors, and use the other sling as a traction sling to secure the power cables 4.4 m (14.44 ft.) away from the power connectors, as shown in [Figure 6-8](#).

**Figure 6-8** Binding power cables



- Step 2** Hoist the power cables onto the tower, as shown in [Figure 6-9](#).

Figure 6-9 Hoisting power cables onto the tower



1. After climbing up to the tower, installation engineer A secures the fixed pulley to the tower platform support and leads the lifting sling through the fixed pulley.
2. Installation engineer C binds the power cables using the lifting sling and traction sling.
3. Installation engineer B pulls the lifting sling downwards, and installation engineer C pulls the traction sling outwards to protect the power cables from colliding with the tower.

**Step 3** Secure the power cables to the tower vertically using cable clips.

**Step 4** Remove the lifting sling and traction sling.

**NOTE**

The procedure for hoisting the power cables onto the tower is for your reference only.

----End

# 7 Installing the RRU

---

## About This Chapter

This chapter describes the procedure for installing the RRU. The RRU can be installed on a pole, U-steel, angle steel, or wall. The procedure for installing the RRU varies depending on installation options.



### CAUTION

- Do not stand the RRU upright because the load-bearing capacity of the RF ports at the RRU bottom is low.
  - Place a foam pad or cardboard under an RRU to protect the RRU housing from damage during the installation.
- 

#### [7.1 Mounting Kits for an RRU](#)

This section describes the bracket assembly and the attachment plate for an RRU.

#### [7.2 Installing the RRU on a Pole](#)

One or more RRUs can be installed on a pole.

#### [7.3 Installing the RRU on U-steel](#)

This section describes the procedure for installing the RRU on U-steel and the precautions that must be taken during the installation. The RRU installed on U-steel can be mounted to a tower or placed on the ground. It is recommended that only one RRU be installed on U-steel.

#### [7.4 Installing the RRU on Angle Steel](#)

This section describes the procedure for installing the RRU on angle steel and the precautions that must be taken during the installation. The RRU installed on angle steel can be mounted to a tower or placed on the ground. It is recommended that only one RRU be installed on angle steel.

#### [7.5 Installing the RRU on a Wall](#)

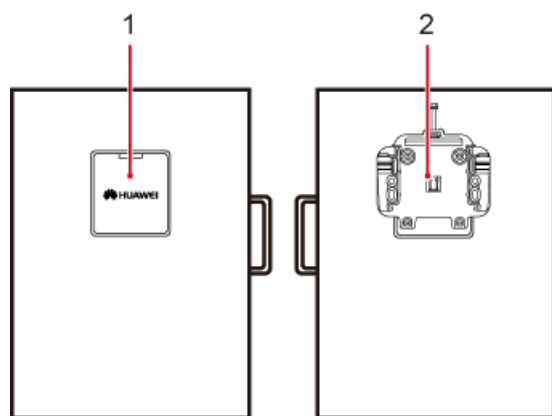
This section describes the procedure for installing the RRU on a wall and the precautions that must be taken during the installation.

## 7.1 Mounting Kits for an RRU

This section describes the bracket assembly and the attachment plate for an RRU.

**Figure 7-1** shows the front and rear view of an RRU.

**Figure 7-1** Front and rear view of an RRU



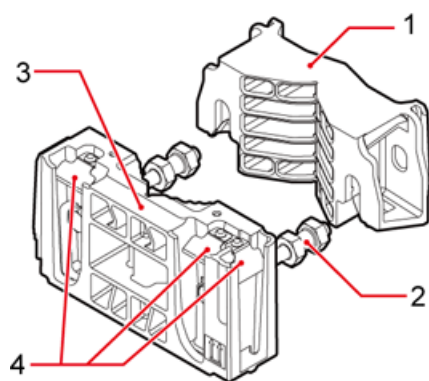
PIR06C0003

(1) Cover plate

(2) Attachment plate

**Figure 7-2** shows the bracket assembly for an RRU.

**Figure 7-2** Bracket assembly for an RRU



PIR06C0004

(1) Auxiliary mounting  
bracket

(2) Dual-nut bolt assembly

(3) Main mounting bracket

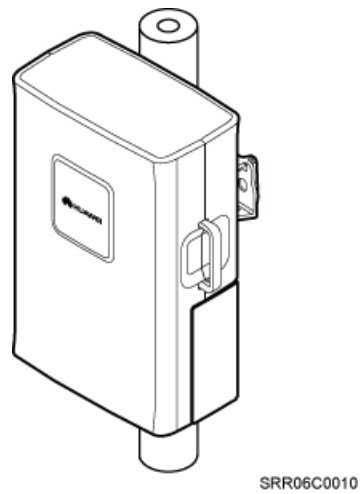
(4) Hoist clamp on the  
main mounting bracket

## 7.2 Installing the RRU on a Pole

One or more RRUs can be installed on a pole.

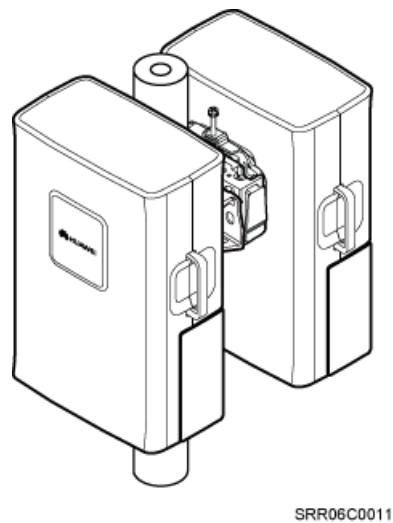
**Figure 7-3** shows a single RRU installed on a pole.

**Figure 7-3** A single RRU installed on a pole



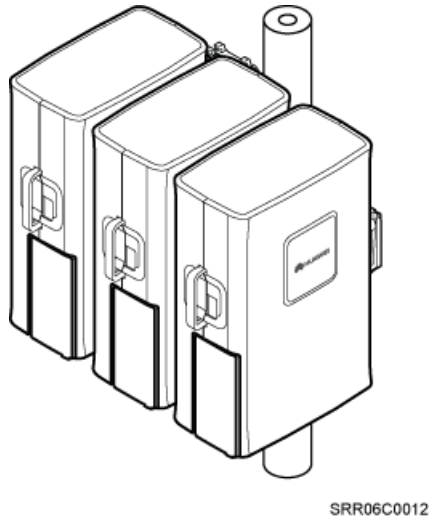
**Figure 7-4** shows two RRUs installed on a pole.

**Figure 7-4** Two RRUs installed on a pole

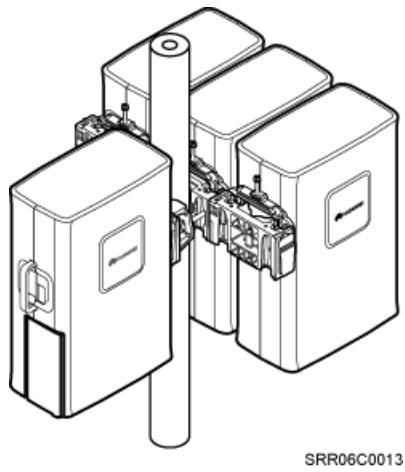


**Figure 7-5**, **Figure 7-6**, and **Figure 7-7** show more than two RRUs installed on a pole.

**Figure 7-5** Three RRUs installed on a pole in centralized mode

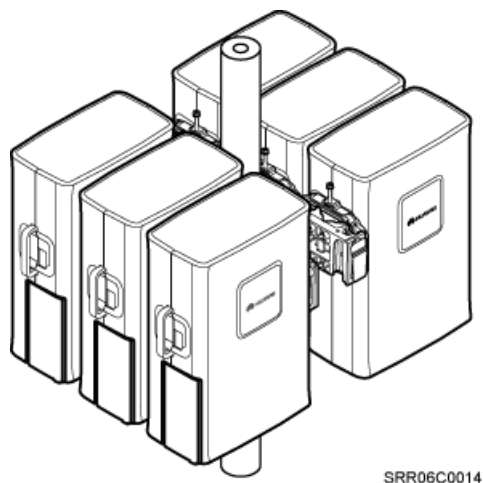


**Figure 7-6** Four RRUs installed on a pole in centralized mode





**Figure 7-7** Six RRUs installed on a pole in centralized mode



## 7.2.1 Installing a Single RRU

This section describes the procedure for installing a single RRU on a pole and the precautions that must be taken during the installation.

### Prerequisites

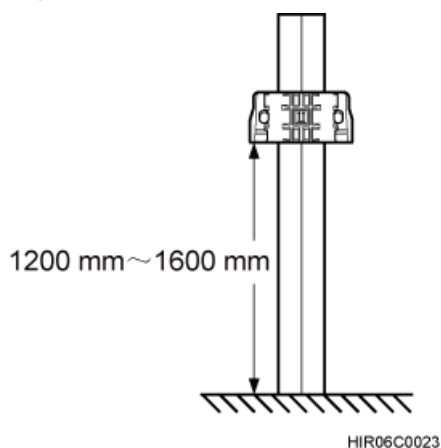
Before you install an RRU on a tower, the RRU and mounting kits are hoisted onto the tower. For details, see [6.1 Hoisting an RRU onto a Tower](#).

The hoist clamp on the main mounting bracket is secured properly.

### Procedure

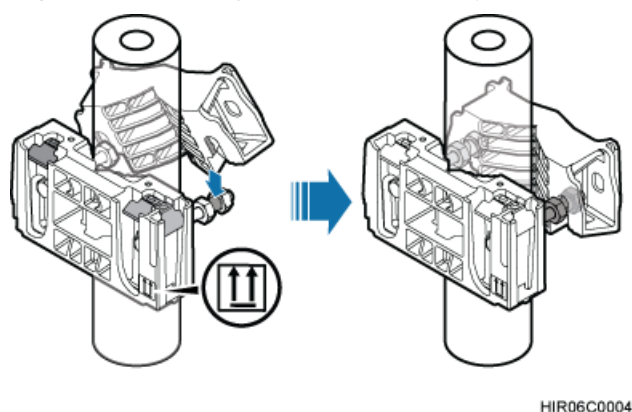
- Step 1** Determine a position for installing the main mounting bracket.
- If the RRU must be installed on a tower, see [3.5.1 Installation Clearance for a Single RRU](#) to determine a position.
  - If the RRU must be installed on the ground, see [Figure 7-8](#) to determine a position.

**Figure 7-8** Distance between the main mounting bracket and the ground



- Step 2** Fit one end of the auxiliary mounting bracket to one dual-nut bolt assembly of the main mounting bracket.
- Step 3** Install the bracket assembly on the pole, and then fit the other end of the auxiliary mounting bracket to the other dual-nut bolt assembly, as shown in [Figure 7-9](#).

**Figure 7-9** Installing the bracket assembly



 **NOTE**

Verify that the arrow on the main mounting bracket is pointing up.

- Step 4** Using a torque wrench, tighten the nuts to 40 N·m (354.03 lbf·in.) to secure the bracket assembly onto the pole, as shown in [Figure 7-10](#).

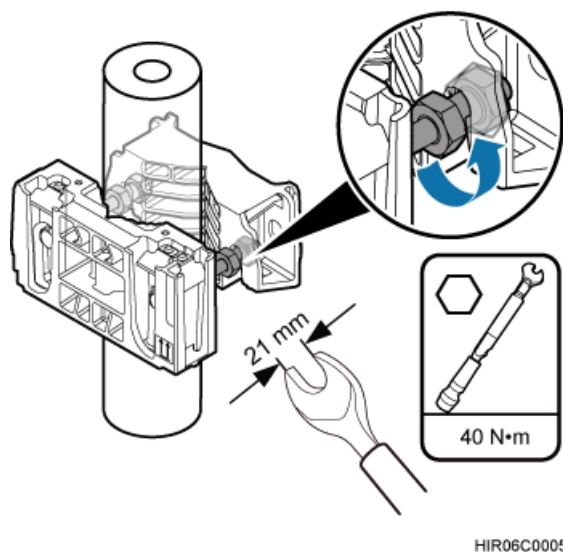
---

 **CAUTION**

Tighten the two dual-nut bolt assemblies alternatively. After the main and auxiliary brackets are secured properly, measure the spacing between the brackets on both sides and ensure that the spacing is the same on the two sides.

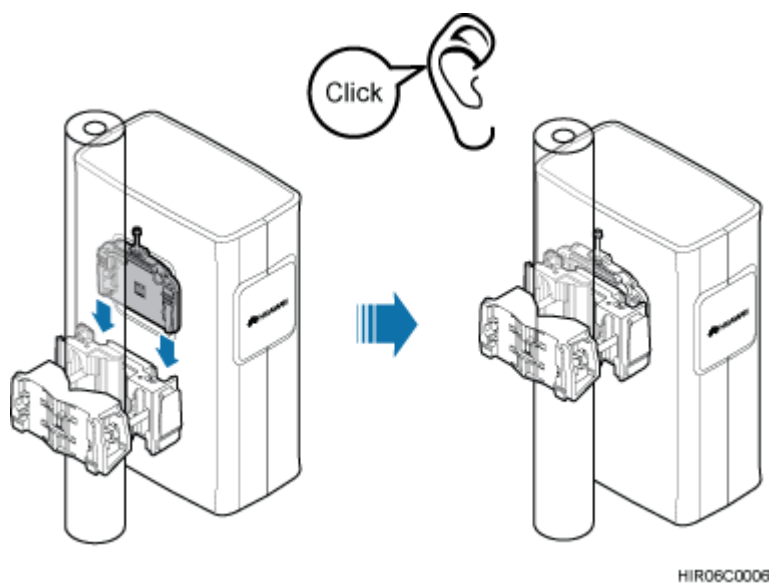
---

**Figure 7-10** Securing the bracket assembly onto the pole



**Step 5** Install the RRU on the main mounting bracket until the RRU snaps shut, as shown in **Figure 7-11**.

**Figure 7-11** Installing the RRU on the main mounting bracket



---End

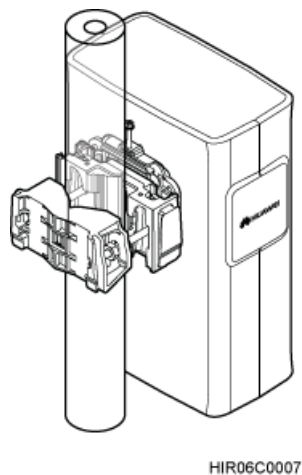
## 7.2.2 Installing Two RRUs

This section describes the procedure for installing two RRUs on a pole and the precautions that must be taken during the installation.

## Procedure

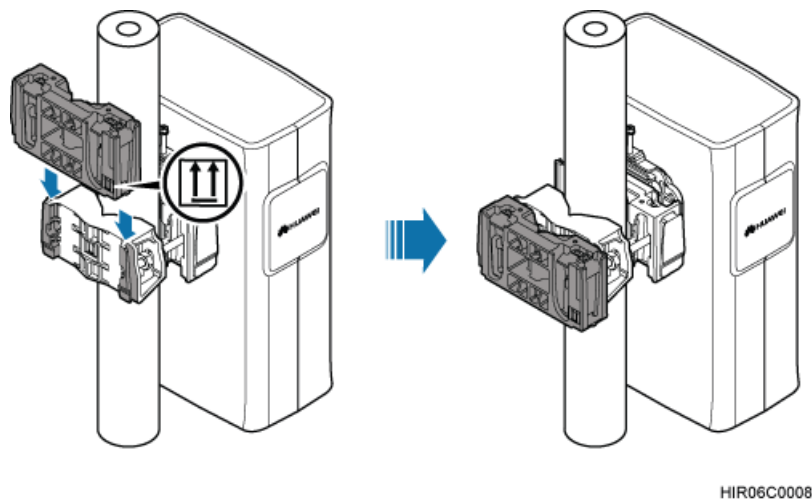
**Step 1** Install the first RRU, as shown in [Figure 7-12](#). For details, see [7.2.1 Installing a Single RRU](#).

**Figure 7-12** Installing the first RRU



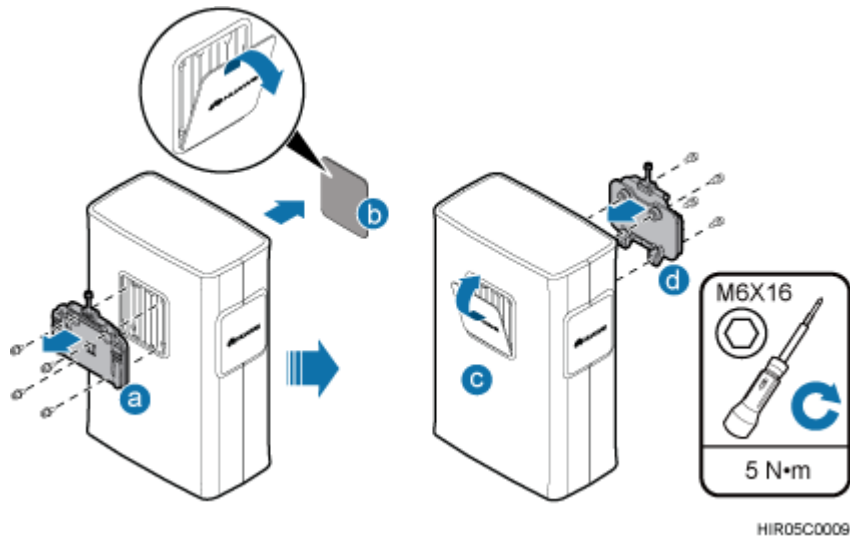
**Step 2** Install the other main mounting bracket on the auxiliary mounting bracket to secure the second RRU, as shown in [Figure 7-13](#).

**Figure 7-13** Installing the second main mounting bracket



**Step 3** Interchange the cover plate in the front and the attachment plate and stainless steel screws at the rear of the second RRU, as shown in [Figure 7-14](#).

**Figure 7-14** Interchanging the cover plate in the front and the attachment plate at the rear of the second RRU



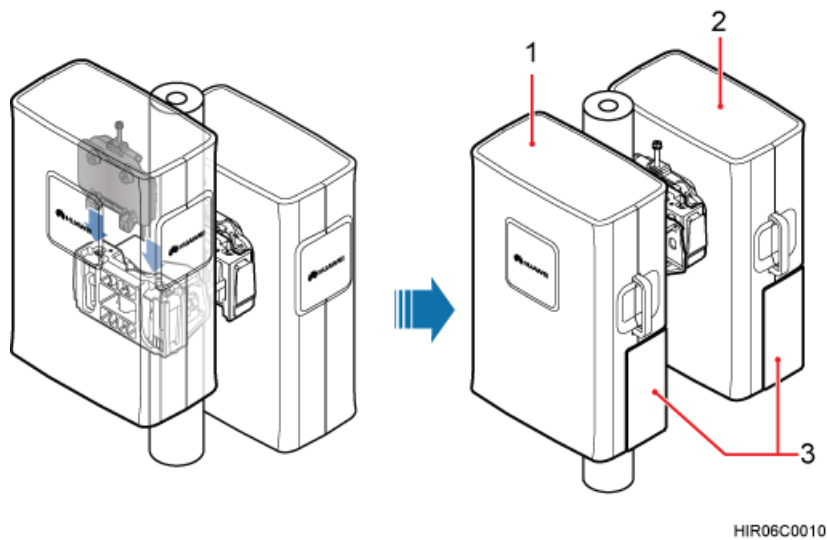
1. Remove the attachment plate from the RRU rear using an inner hexagon screwdriver.
2. Remove the cover plate from the RRU front.
3. Install the cover plate onto the RRU rear.
4. Install the attachment plate onto the RRU front, and tighten the stainless steel screws on the attachment plate to 5 N·m (44.25 lbf·in.) using a torque screwdriver.

**Step 4** Install the second RRU on the main mounting bracket, as shown in [Figure 7-15](#).

**NOTE**

When you install two RRUs in back-to-back mode, ensure that the cabling cavities of these two RRUs face the same direction.

**Figure 7-15** Installing the second RRU on the main mounting bracket



(1) RRU installed in standard mode

(2) RRU installed in reverse mode

(3) Cabling cavity

---End

## 7.2.3 Installing Multiple RRUs

The section describes the procedure for installing multiple RRUs on a pole and the precautions that must be taken during the installation.

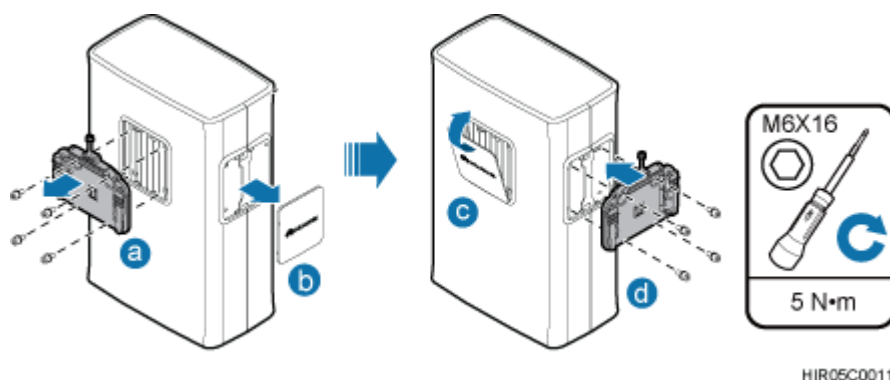
### Context

A pole supports the installation of three, four, or six RRUs. The procedures for installing them are the same. Following is the procedure of installing four RRUs on a pole.

### Procedure

- Step 1** Install one set of bracket assembly on a pole. For details, see [7.2.1 Installing a Single RRU](#).
- Step 2** Interchange the attachment plate at the RRU rear and the cover plate on the RRU side, as shown in [Figure 7-16](#).

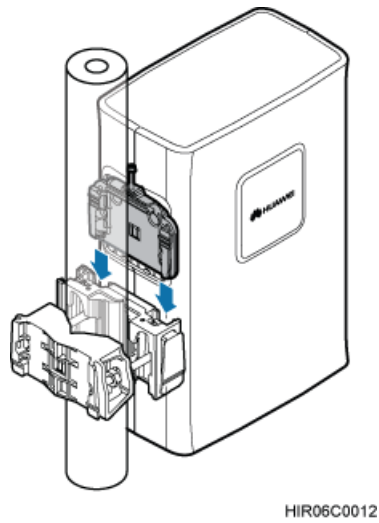
**Figure 7-16** Interchanging the attachment plate at the RRU rear and the cover plate on the RRU side



1. Remove the attachment plate from the RRU rear using an inner hexagon screwdriver.
2. Remove the cover plate from the RRU side.
3. Install the cover plate onto the RRU rear.
4. Install the attachment plate onto the RRU side, and tighten the stainless steel screws on the attachment plate to 5 N·m (44.25 lbf·in.) using a torque screwdriver.

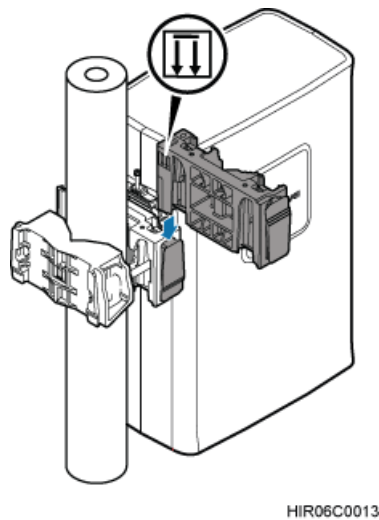
- Step 3** Install the first RRU on the main mounting bracket, as shown in [Figure 7-17](#).

**Figure 7-17** Installing the first RRU on the main mounting bracket



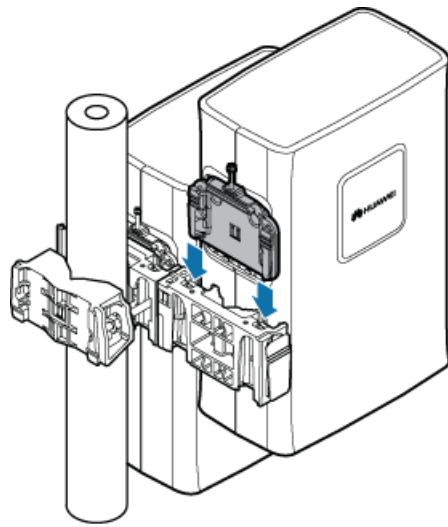
**Step 4** Install the second main mounting bracket on the side of the first main mounting bracket, as shown in [Figure 7-18](#).

**Figure 7-18** Installing the second main mounting bracket



**Step 5** Install the second RRU on the second main mounting bracket, as shown in [Figure 7-19](#).

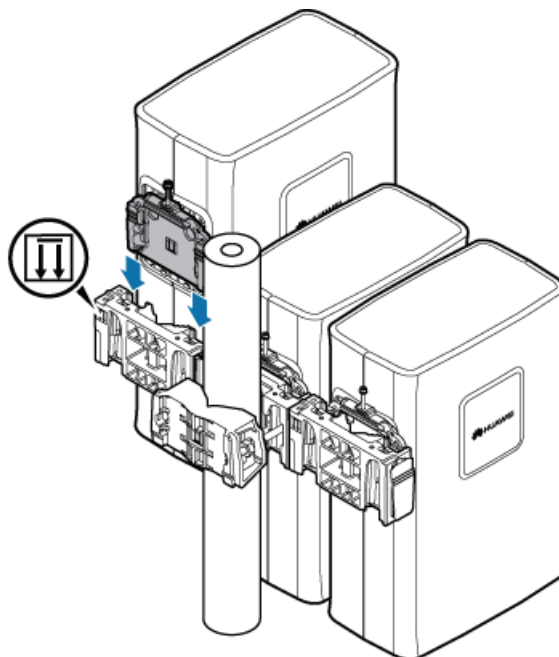
**Figure 7-19** Installing the second RRU on the second main mounting bracket



HIR06C0014

**Step 6** Install the third main mounting bracket, and then install the third RRU on the main mounting bracket, as shown in [Figure 7-20](#).

**Figure 7-20** Installing the third RRU on the third main mounting bracket

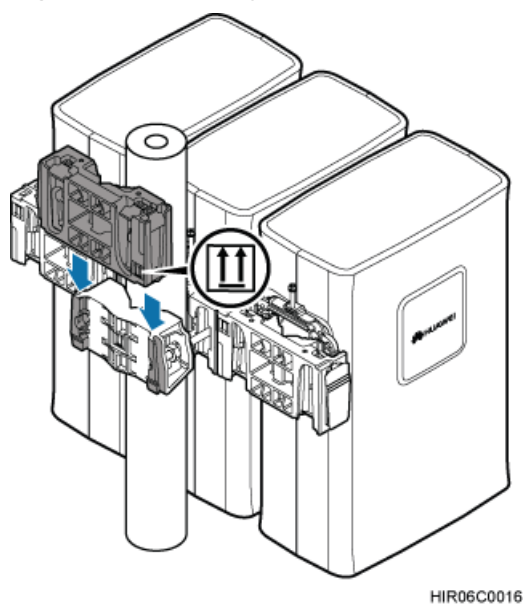


HIR06C0015

**Step 7** Install the fourth main mounting bracket, as shown in [Figure 7-21](#).

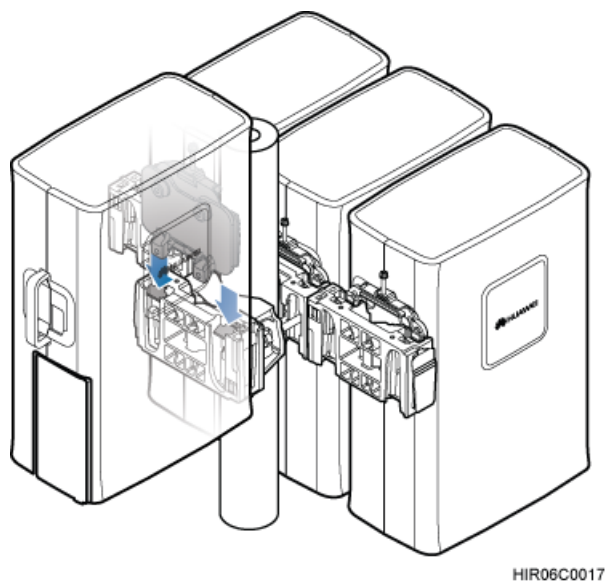


**Figure 7-21** Installing the fourth main mounting bracket



**Step 8** Install the fourth RRU on the fourth main mounting bracket, as shown in [Figure 7-22](#).

**Figure 7-22** Installing the fourth RRU on the fourth main mounting bracket



----End

## 7.3 Installing the RRU on U-steel

This section describes the procedure for installing the RRU on U-steel and the precautions that must be taken during the installation. The RRU installed on U-steel can be mounted to a tower or placed on the ground. It is recommended that only one RRU be installed on U-steel.

## Prerequisites

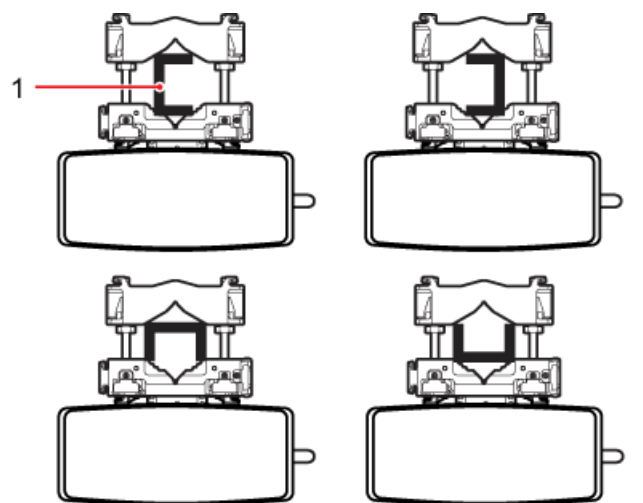
Before you install an RRU on a tower, the RRU and mounting kits are hoisted onto the tower. For details, see [6.1 Hoisting an RRU onto a Tower](#).

The hoist clamp on the main mounting bracket is secured properly.

## Context

[Figure 7-23](#) shows the top view of the RRU installed on U-steel.

**Figure 7-23** Top view of the RRU



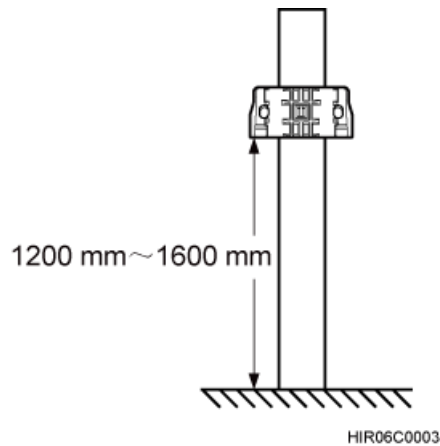
HIR06C0019

(1) U-steel

## Procedure

- Step 1** Determine a position for installing the main mounting bracket.
- If the RRU must be installed on a tower, see [3.5.1 Installation Clearance for a Single RRU](#) to determine a position.
  - If the RRU must be installed on the ground, see [Figure 7-24](#) to determine a position.

**Figure 7-24** Distance between the main mounting bracket and the ground



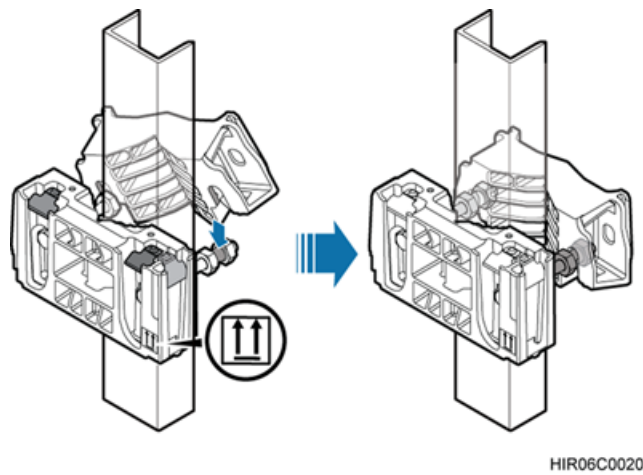
**NOTE**

It is recommended that the main mounting bracket be 1,200 mm (47.24 in.) to 1,600 mm (62.99 in.) above the ground.

**Step 2** Fit one end of the auxiliary mounting bracket to one dual-nut bolt assembly of the main mounting bracket.

**Step 3** Install the bracket assembly on U-steel, and then fit the other end of the auxiliary mounting bracket to the other dual-nut bolt assembly, as shown in [Figure 7-25](#).

**Figure 7-25** Installing the bracket assembly



**NOTE**

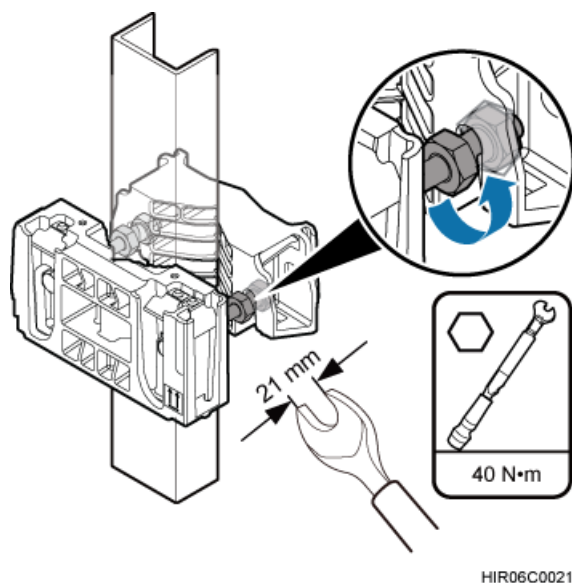
Verify that the arrow on the main mounting bracket is pointing up.

**Step 4** Using a torque wrench, tighten the nuts to 40 N·m (354.03 lbf·in.) to secure the bracket assembly onto the U-steel, as shown in [Figure 7-26](#).

 **CAUTION**

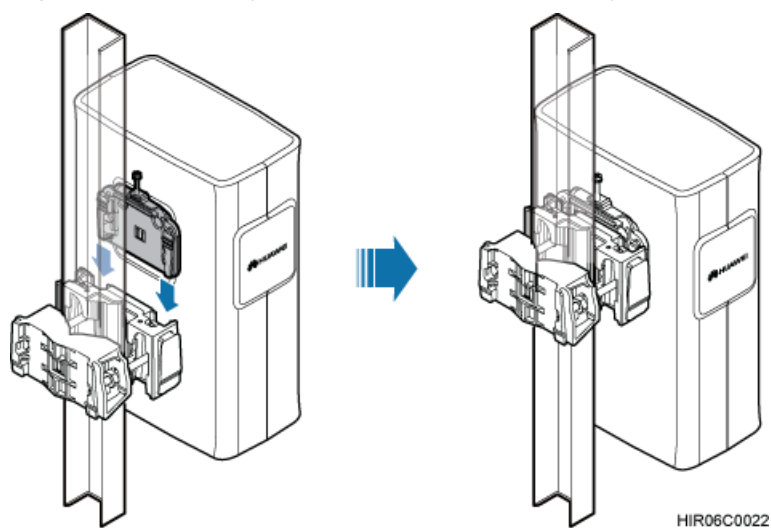
Tighten the two dual-nut bolt assemblies alternatively. After the main and auxiliary brackets are secured properly, measure the spacing between the brackets on both sides and ensure that the spacing is the same on the two sides.

**Figure 7-26** Securing the bracket assembly onto U-steel



**Step 5** Install the RRU on the main mounting bracket until the RRU snaps shut, as shown in [Figure 7-27](#).

**Figure 7-27** Installing the RRU on the main mounting bracket



---End

## 7.4 Installing the RRU on Angle Steel

This section describes the procedure for installing the RRU on angle steel and the precautions that must be taken during the installation. The RRU installed on angle steel can be mounted to a tower or placed on the ground. It is recommended that only one RRU be installed on angle steel.

### Prerequisites

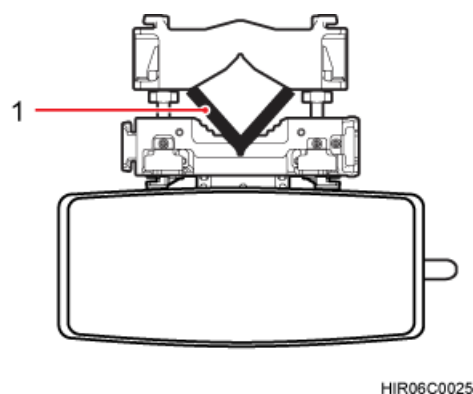
Before you install an RRU on a tower, the RRU and mounting kits are hoisted onto the tower. For details, see [6.1 Hoisting an RRU onto a Tower](#).

The hoist clamp on the main mounting bracket is secured properly.

### Context

[Figure 7-28](#) shows the top view of the RRU installed on angle steel.

**Figure 7-28** Top view of the RRU

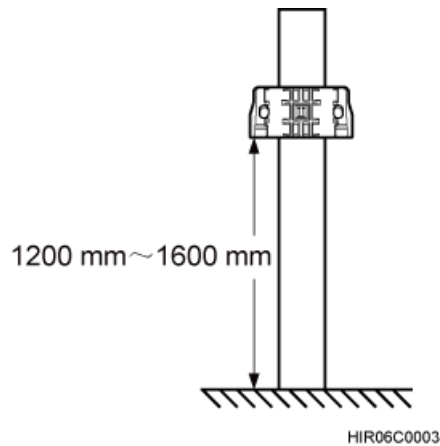


(1) Angle steel

### Procedure

- Step 1** Determine a position for installing the main mounting bracket.
- If the RRU must be installed on a tower, see [3.5.1 Installation Clearance for a Single RRU](#) to determine a position.
  - If the RRU must be installed on the ground, see [Figure 7-29](#) to determine a position.

**Figure 7-29** Distance between the main mounting bracket and the ground



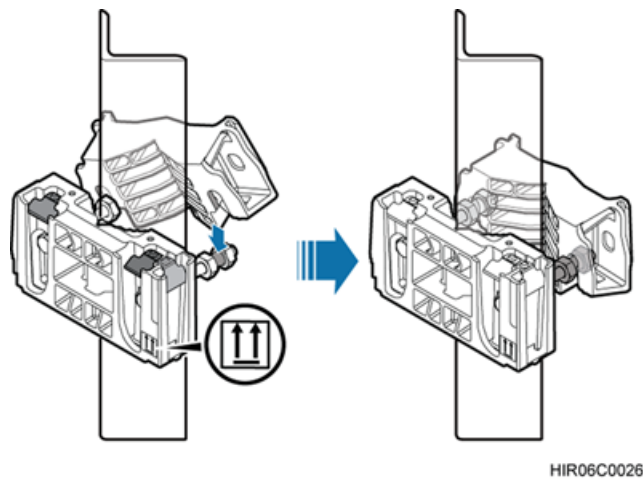
**NOTE**

It is recommended that the main mounting bracket be 1,200 mm (47.24 in.) to 1,600 mm (62.99 in.) above the ground.

**Step 2** Fit one end of the auxiliary mounting bracket to one dual-nut bolt assembly of the main mounting bracket.

**Step 3** Install the bracket assembly on angle steel, and then fit the other end of the auxiliary mounting bracket to the other dual-nut bolt assembly, as shown in [Figure 7-30](#).

**Figure 7-30** Installing the bracket assembly



**NOTE**

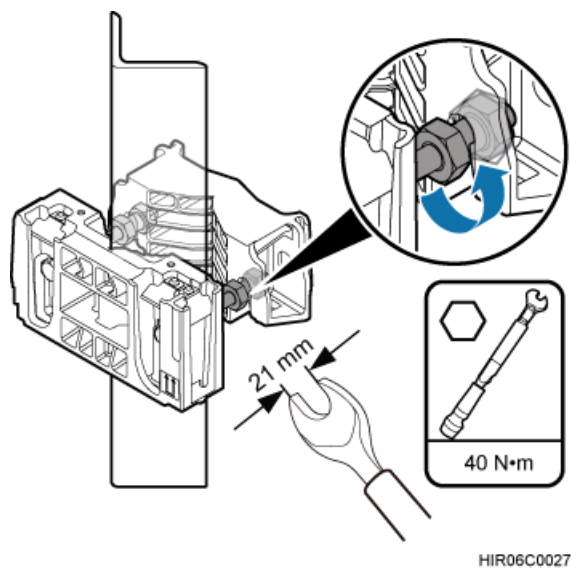
Verify that the arrow on the main mounting bracket is pointing up.

**Step 4** Using a torque wrench, tighten the nuts to 40 N·m (354.03 lbf·in.) to secure both the bracket assembly onto the angle steel, as shown in [Figure 7-31](#).

 **CAUTION**

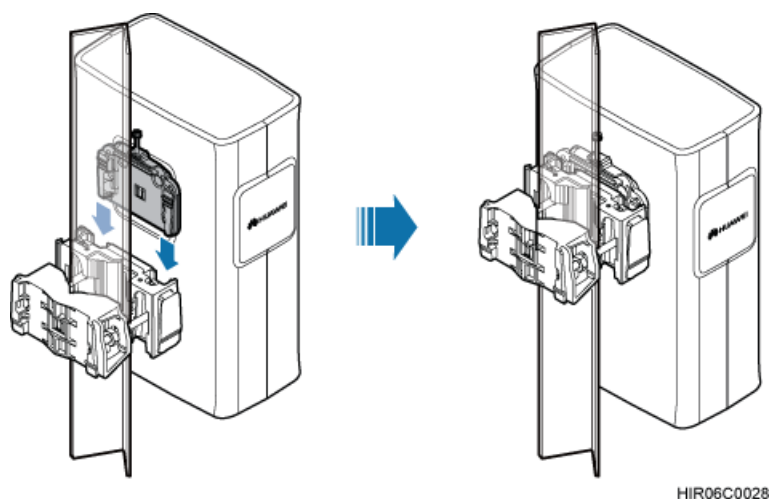
Tighten the two dual-nut bolt assemblies alternatively. After the main and auxiliary brackets are secured properly, measure the spacing between the brackets on both sides and ensure that the spacing is the same on the two sides.

**Figure 7-31** Securing the bracket assembly onto angle steel



**Step 5** Install the RRU on the main mounting bracket until the RRU snaps shut, as shown in [Figure 7-32](#).

**Figure 7-32** Installing the RRU on the main mounting bracket



---End

## 7.5 Installing the RRU on a Wall

This section describes the procedure for installing the RRU on a wall and the precautions that must be taken during the installation.

### Prerequisites

The hoist clamp on the main mounting bracket is secured properly.

### Context

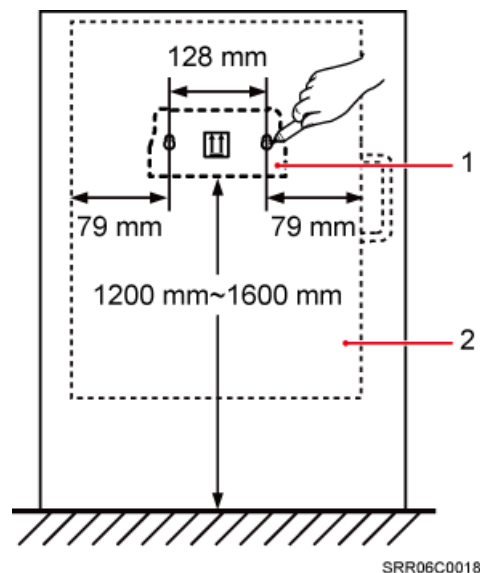
The wall on which RRUs are installed must meet the following requirements:

- When a single RRU is installed, the wall has a capacity of bearing at least four times the weight of the RRU.
- Expansion bolts must be tightened to 30 N·m (265.52 lbf·in.) to ensure the bolts work properly and the wall remains intact without cracks in it.

### Procedure

- Step 1** Place the auxiliary mounting bracket against the installation position, use a level to verify that the auxiliary mounting bracket is placed horizontally, and then mark anchor points with a marker, as shown in [Figure 7-33](#).

**Figure 7-33** Marking anchor points



(1) Auxiliary mounting bracket

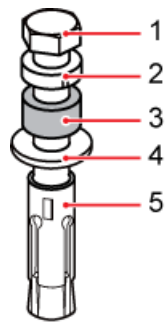
(2) RRU

#### NOTE

It is recommended that the auxiliary mounting bracket be 1,200 mm (47.24 in.) to 1,600 mm (62.99 in.) above the ground.



Figure 7-34 Expansion bolt assembly

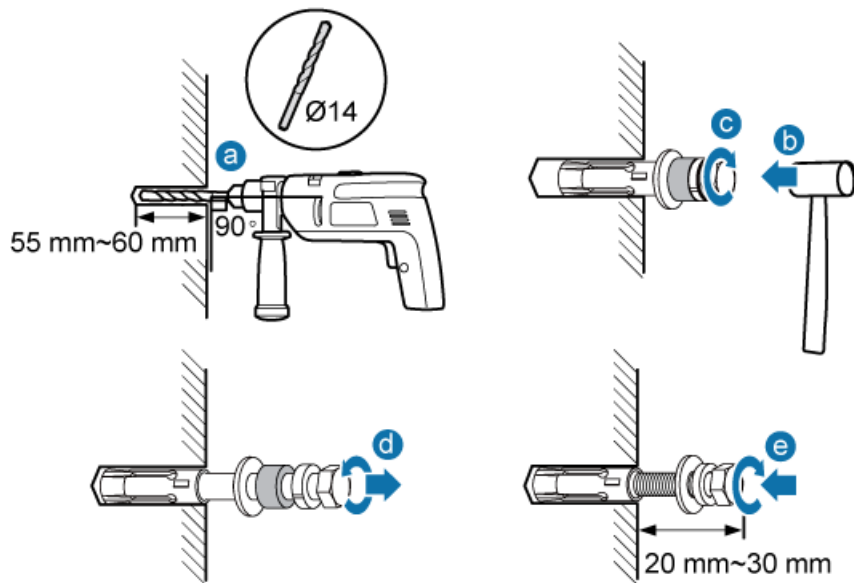


PIR06C0006

- (1) M10x65 bolt      (2) Spring washer 10      (3) Plastic tube      (4) Flat washer 10      (5) Expansion tube

**Step 2** Drill holes at the anchor points, and then insert expansion bolt assemblies, as shown in [Figure 7-35](#).

Figure 7-35 Drilling a hole and inserting an expansion bolt assembly



HIR06C0029

1. Use a hammer drill with a  $\phi 14$  bit to drill holes vertically at the marked anchor points. Ensure that the depth of each hole ranges from 55 mm (2.17 in.) to 60 mm (2.36 in.).



**WARNING**

Take proper safety measures to protect your eyes and respiratory tract against the dust before drilling holes.

2. Hit the expansion bolt with a rubber mallet until the expansion tube completely enters the hole.
3. Tighten an expansion bolt slightly and place it vertically into each hole.
4. Remove the M10x65 bolt, spring washer, plastic tube, and flat washer from each expansion bolt assembly in sequence.

 **NOTE**

After completely removing an expansion bolt, store the plastic tube properly.

5. Hammer the bolt into the wall.

---

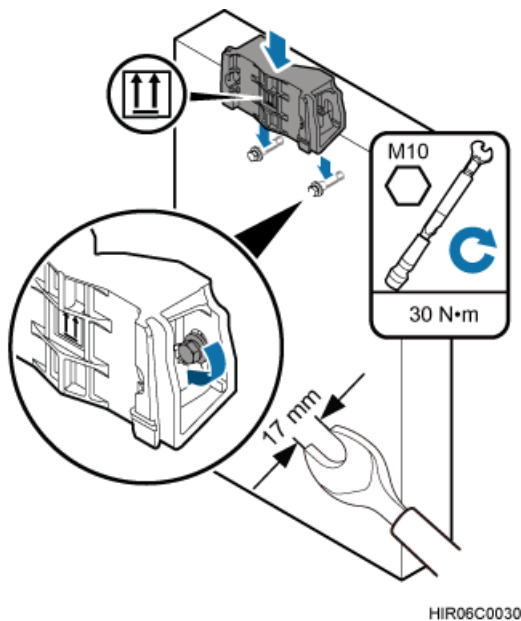
 **CAUTION**

Do not hammer the expansion bolt entirely into the wall. Instead, leave 20 mm (0.79 in.) to 30 mm (1.18 in.) of the expansion bolt outside the wall.

---

- Step 3** Fit the auxiliary mounting bracket on the expansion bolt, and then use a torque wrench (17 mm [0.67 in.]) to tighten the expansion bolt to 30 N·m (265.52 lbf·in.), as shown in [Figure 7-36](#).

**Figure 7-36** Fitting the auxiliary mounting bracket on expansion bolts



---

 **CAUTION**

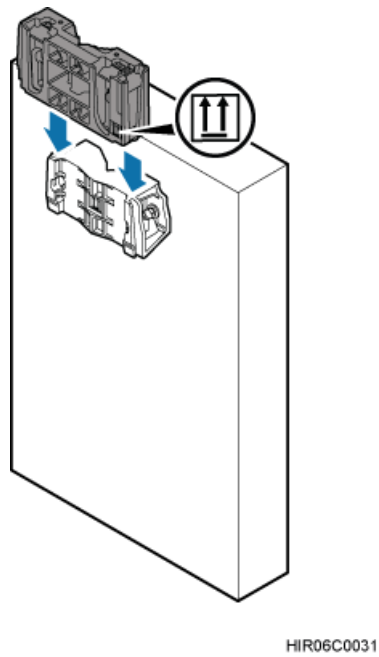
Verify that the arrow on the auxiliary mounting bracket is pointing up.

---

- Step 4** Loosen the screws on the main mounting bracket and store them properly.

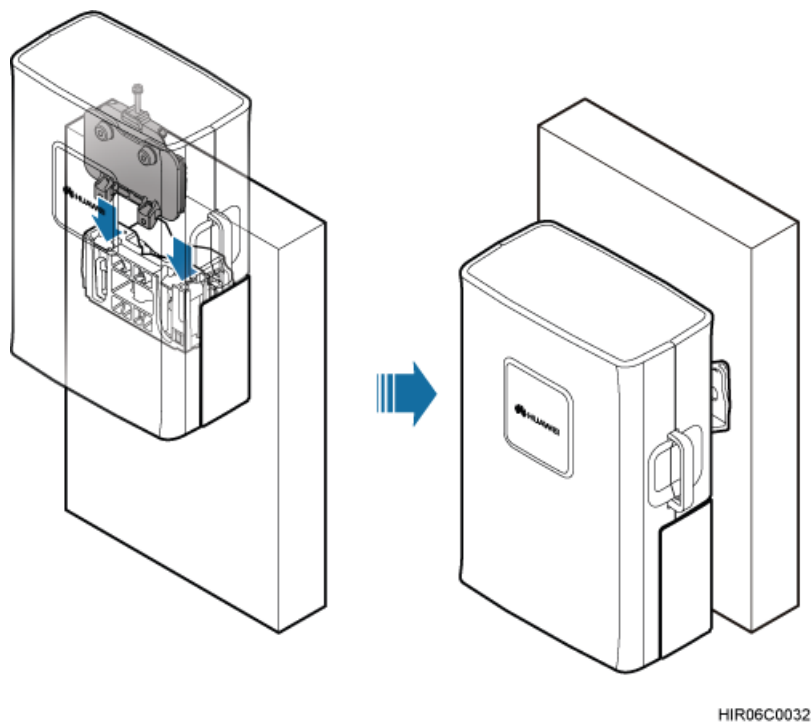
- Step 5** Install the main mounting bracket, as shown in [Figure 7-37](#).

**Figure 7-37** Installing the main mounting bracket



**Step 6** Install the RRU on the main mounting bracket until the RRU snaps shut, as shown in **Figure 7-38**.

**Figure 7-38** Installing the RRU



---End

# 8 Installing RRU Cables

---

## About This Chapter

This chapter describes the procedure for installing RRU cables.

### [8.1 Cabling Requirements](#)

Cables must be routed according to the specified cabling requirements to prevent signal interference.

### [8.2 Cable Connections](#)

This section describes the cable connections for a single RRU and multiple RRUs.

### [8.3 Installation Process](#)

This section describes the process of installing RRU cables.

### [8.4 RRU Cable List](#)

This section describes RRU cable connections.

### [8.5 Installing an RRU PGND Cable](#)

This section describes the procedure for installing an RRU PGND cable.

### [8.6 Installing an RRU RF Jumper](#)

This section describes the procedure for installing an RRU RF jumper.

### [8.7 Installing an RRU AISG Multi-Wire Cable and AISG Extension Cable](#)

This section describes the procedures for installing an RRU AISG multi-wire cable and AISG extension cable.

### [8.8 Opening the Cover Plate of an RRU Cabling Cavity](#)

This section describes the procedure for opening the cover plate of an RRU cabling cavity.

### [8.9 Installing an RRU power cable](#)

This section describes the procedure for installing an RRU power cable.

### [8.10 Installing a CPRI Fiber Optic Cable](#)

This section describes the procedure for installing a CPRI fiber optic cable.

### [8.11 Closing the Cover Plate of an RRU Cabling Cavity](#)

This section describes the procedure for closing the cover plate of an RRU cabling cavity.

## 8.1 Cabling Requirements

Cables must be routed according to the specified cabling requirements to prevent signal interference.



### NOTE

If a cable listed below is not required, skip the routing requirements of the cable.

### General Cabling Requirements

#### Requirements for Bending Radius

- The bending radius of the 7/8" feeder must be more than 250 mm (9.84 in.), and the bending radius of the 5/4" feeder must be more than 380 mm (14.96 in.).
- The bending radius of the 1/4" jumper must be more than 35 mm (1.38 in.). The bending radius of the super-flexible 1/2" jumper must be more than 50 mm (1.97 in.), and the bending radius of the ordinary 1/2" jumper must be more than 127 mm (5 in.).
- The bending radius of the power cable or PGND cable must be at least three times the diameter of the cable.
- The bending radius of a fiber optic cable is at least 20 times the diameter of the fiber optic cable, and the minimum bending radius of the breakout cable at each end of the fiber optic cable is 30 mm (1.18 in.).
- The bending radius of the E1/T1 cable must be at least three times the diameter of the cable.
- The bending radius of the signal cable must be at least five times the diameter of the cable.

#### Requirements for Cable Binding

- The same types of cable must be bound together.
- Different types of cable must be separately routed with the minimum spacing of 30 mm (1.18 in.) and cannot be entangled.
- The cables must be bound tightly and neatly. The sheaths of the cables must not be damaged.
- Cable ties are installed in the same direction, and those at the same horizontal line must be in a straight line.
- The excess of indoor cable ties is trimmed off, and the excess of outdoor cable ties allows about 5 mm (0.2 in.), without remaining rough edges.
- Labels or nameplates must be attached to both ends, joints, or turns of cables after they are installed.

#### Security Requirements

- Cables should be placed away from sharp objects or wall burrs. If these positions are inevitable, protect the cables with protection pipes.
- Cables must be routed away from heat sources, or heat-insulation materials are added between cables and heat sources.
- Sufficient slack (recommended for about 0.1 m [0.33 ft.]) is provided in cables at turns or the position close to a device, facilitating cable and device maintenance.

#### Indoor Cabling Requirements

- Cables are routed indoors through the feeder window.

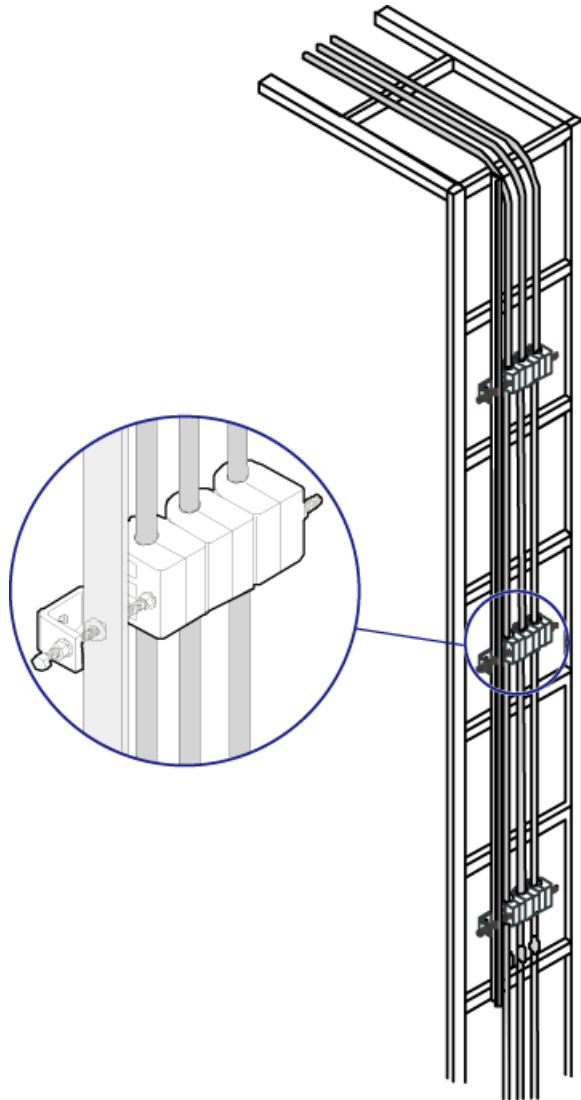
- Drip loops must be made outside the feeder window, and the requirements for the minimum bending radius are met.
- When cables are routed indoors, engineers are required indoors for cooperation.
- The feeder window must be waterproofed.

## Outdoor Cabling Requirements

- Cables routed outdoors must be led through a pipe when they may be damaged.
- AC power cables, transmission cables, and cables buried in the ground must be protected.
- If cables at the cabinet bottom need to be routed through a pipe along the ground, lead the pipe into the cabinet base for about 3 m (9.84 ft.) to 5 m (16.4 ft.), not into the cabinet. Block the pipe with waterproof tape or silicon gel, and secure the pipe to the cable hole at the cabinet bottom with metal piece.
- If cables at the cabinet bottom need to be routed through a pipe along the metal cable trough, do not lead the pipe into the cabinet base. The cable trough must be sealed and routed through the cable hole at the cabinet bottom.
- Cables are secured with cable clips.
- Cables are routed neatly along the specified cabling direction and secured with cable clips.
- The positions for cable clips are determined onsite. For example, the cable clips for the 7/8" feeder are installed at the spacing of 1.5 m (4.92 ft.) to 2 m (6.56 ft.) in the same direction, and the cable clips for the power cables are installed at the spacing of 1 m (3.28 ft.) to 1.5 m (4.92 ft.) in the same direction.
- Cable clips must be vertical with cables, and the cables in a cable clip must be parallel.
- After routing cables neatly and correctly, tighten the screws on cable clips.

Secure cables on the cable tray, as shown in [Figure 8-1](#).

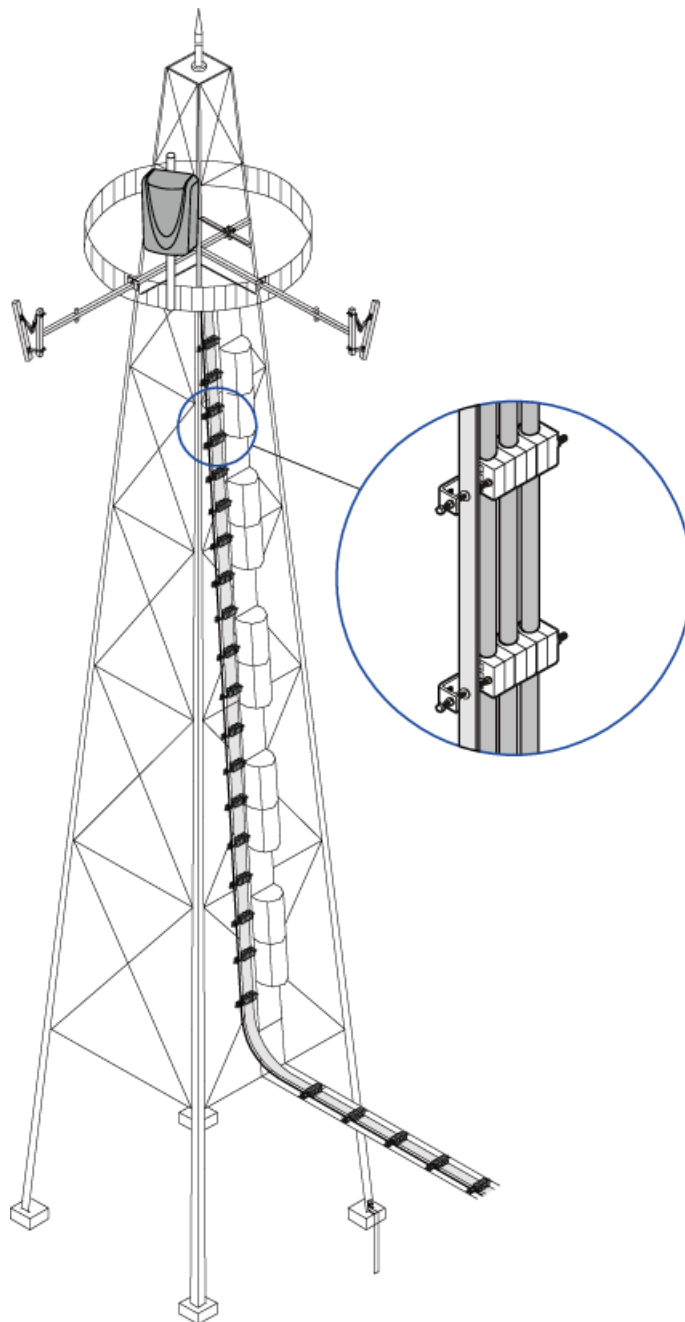
**Figure 8-1** Securing cables on the cable tray



Secure cables on the tower, as shown in **Figure 8-2**.



**Figure 8-2** Securing cables on the tower



## Special Cabling Requirements

### Cabling Requirements for Power Cables

- Power cables must be installed in the position specified in engineering design documents.
- If the length of power cables is insufficient, replace the cables rather than adding connectors or soldering joints to lengthen the cables.
- Cables must be routed by only qualified and trained personnel before all preparations are made.

- Cables are routed in an untangled and orderly fashion.
- If DC power cables need to be routed on the tower platform, lay out the cables on the guardrail with the shortest distance and route the cables along the guardrail.
- If DC power cables need to be routed close to a device on the tower, secure the cables to the guardrail or pole with cable clips. The device cannot be far away from the position for securing the cables.

#### **Cabling Requirements for PGND Cables**

- PGND cables for the base station must be connected to the same ground bar.
- PGND cables must be buried in the ground or routed indoors. They should not be routed overhead before they are led into the equipment room.
- The exterior of the coaxial wire and the shield layer of the shielded cable must have proper electrical contact with the metal surface of the equipment to which they are connected.
- PGND cables and signal cables must be installed in an untangled and orderly fashion. A certain distance must be reserved between them to prevent interference from each other.
- Fuses or switches must not be installed on the PGND cables.
- Other devices must not be used for electrical connections of the PGND cables.
- All the metal parts in the housing of the equipment must be reliably connected to the ground terminal.

#### **Cabling Requirements for E1 Cables**

- E1 cables must not cross power cables, PGND cables, or RF cables when routed. If transmission cables are routed with power cables, PGND cables, or RF cables in parallel, the spacing between them must be greater than 30 mm (1.18 in.).
- E1 cables are routed straightly and bound neatly with cable ties.
- Sufficient slack is provided in E1 cables at turns.

#### **Cabling Requirements for Fiber Optic Cables**

- Fiber optic cables must be routed by at least three qualified and trained personnel before all preparations are made.
- Fiber optic cables are used within the temperature range of -40°C to 60°C. If the current temperature is out of the range, make protection measures or route the cables again.
- Cables are routed in an untangled and orderly fashion.
- Do not bind fiber optic cables at turns.
- Do not stretch, step on, or place heavy objects on fiber optic cables. Keep the cables away from sharp objects.
- When fiber optic cables are routed, the excess of the cables must be coiled around special devices, such as a fiber coiler.
- When coiling fiber optic cables, apply even strength. Do not bend the cables with force.
- Vacant optical connectors must be covered with dustproof caps.
- Fiber optic cables cannot be squeezed by the cabinet door when routed through the cabinet.
- If fiber optic cables need to be routed on the tower platform, lay out the cables on the guardrail with the shortest distance and route the cables along the guardrail.
- If fiber optic cables need to be routed close to a device on the tower, secure the cables to the guardrail or pole with cable clips. The device cannot be far away from the position for securing the cables.

- If the fiber optic cables close to a device are too long, coil the excess of the cables and secure them on the tower.

## 8.2 Cable Connections

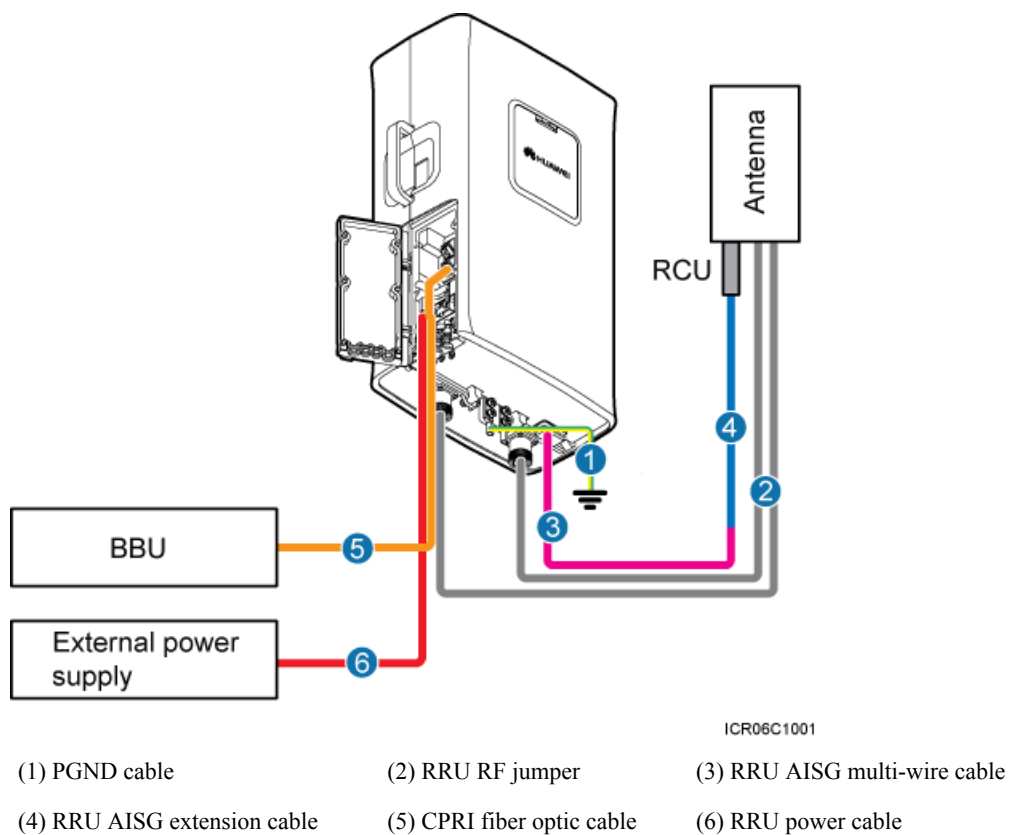
This section describes the cable connections for a single RRU and multiple RRUs.

**NOTE**

A lower-level RRU obtains power directly from the external power system, but not from an upper-level RRU using a power cable.

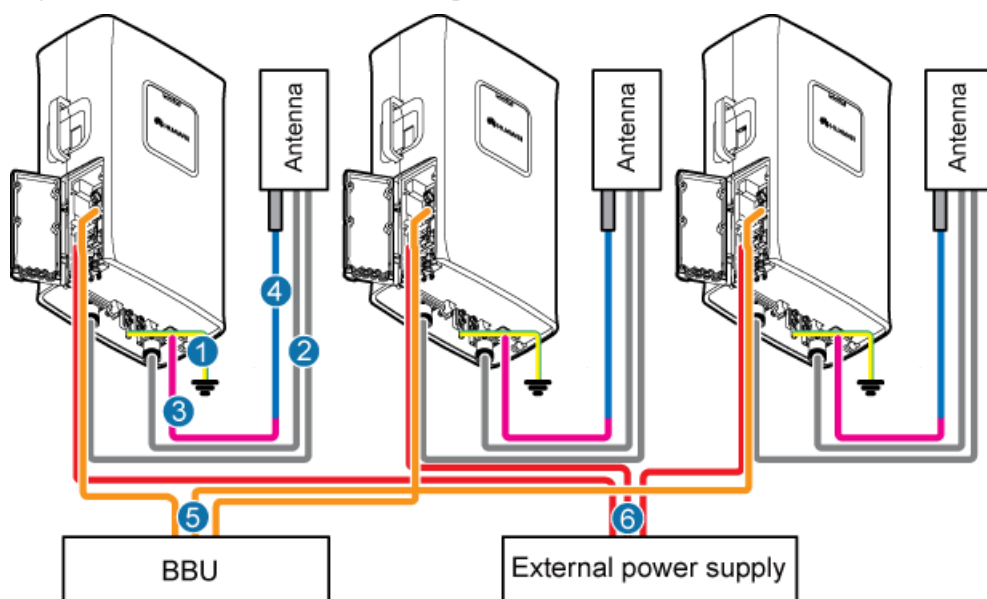
**Figure 8-3** shows the cable connections for a single RRU.

**Figure 8-3** Cable connections for a single RRU



**Figure 8-4** shows the cable connections for multiple RRUs.

Figure 8-4 Cable connections for multiple RRUs



ICR06C1002

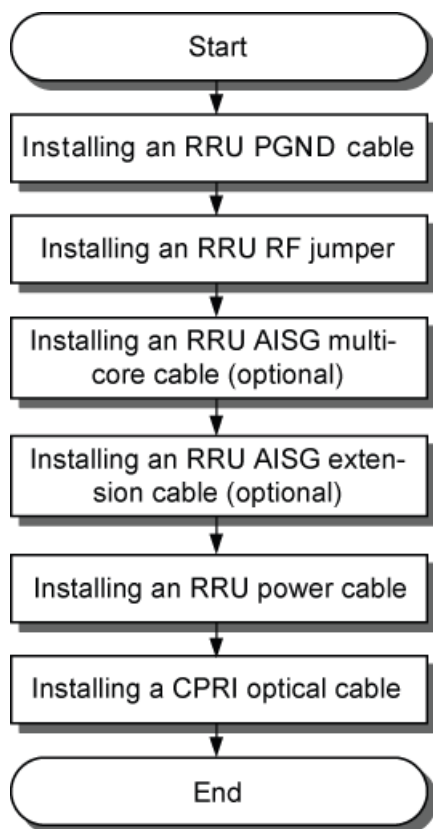
- |                              |                            |                               |
|------------------------------|----------------------------|-------------------------------|
| (1) PGND cable               | (2) RRU RF jumper          | (3) RRU AISG multi-wire cable |
| (4) RRU AISG extension cable | (5) CPRI fiber optic cable | (6) RRU power cable           |

## 8.3 Installation Process

This section describes the process of installing RRU cables.

Figure 8-5 shows the process of installing RRU cables.

**Figure 8-5** Process of installing RRU cables



IPR06C0002

## 8.4 RRU Cable List

This section describes RRU cable connections.

**Table 8-1** lists RRU cables.

**Table 8-1** RRU cables

Cable	One End		The Other End	
	Connector	Installation Position	Connector	Installation Position
RRU PGND Cable	OT terminal (M6, 16 mm <sup>2</sup> [0.025 in. <sup>2</sup> ])	Ground terminal on the RRU	OT terminal (M8, 16 mm <sup>2</sup> [0.025 in. <sup>2</sup> ])	Ground terminal on the ground bar
RRU Power Cable	OT terminal (M4, 3.3 mm <sup>2</sup> [0.005 in. <sup>2</sup> ]), complying with	NEG(-) and RTN(+) ports on the RRU	Tool-less female connector (pressfit type)	One of RRU0 to RRU5 ports on the EPU or EPS

Cable	One End		The Other End	
	Connector	Installation Position	Connector	Installation Position
	North American standards OT terminal (M4, 4 mm <sup>2</sup> [0.006 in. <sup>2</sup> ]), complying with European standards		OT terminal (M4, 3.3 mm <sup>2</sup> [0.005 in. <sup>2</sup> ]), complying with North American standards  OT terminal (M4, 4 mm <sup>2</sup> [0.006 in. <sup>2</sup> ]), complying with European standards	One of LOAD0 to LOAD5 ports on the DCDU  One of LOAD4 to LOAD9 ports on the PDU
CPRI Fiber Optic Cable	DLC connector	CPRI_W port on the RRU	DLC connector	CPRI port on the LBBP in the BBU
RRU RF Jumper	DIN male connector	ANT-TX/RXA or ANT-TX/RXB port on the RRU	DIN male connector	Antenna system
RRU AISG Multi-Wire Cable	Waterproofed DB9 male connector	RET/MON port on the RRU	Standard AISG female connector	Standard AISG male connector on the RCU or on the AISG extension cable
RRU AISG Extension Cable	Standard AISG male connector	Standard AISG female connector on the AISG multi-wire cable	Standard AISG female connector	Standard AISG male connector on the RCU

## 8.5 Installing an RRU PGND Cable

This section describes the procedure for installing an RRU PGND cable.

### Context

The cross-sectional area of an RRU PGND cable is 16 mm<sup>2</sup> (0.025 in.<sup>2</sup>). The OT terminals at two ends of the cable are M6 and M8 terminals respectively.

### Procedure

**Step 1** Prepare an RRU PGND cable.

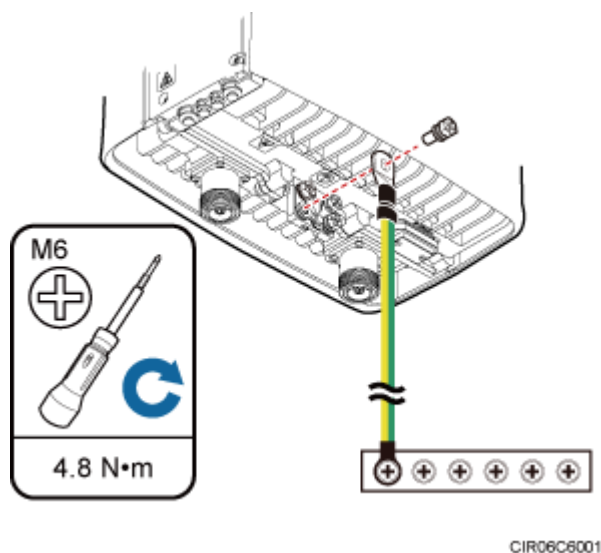
1. Cut the cable to the required length based on the actual cable route.

2. Add an OT terminal to each end of the cable by referring to Assembling the OT Terminal and the Power Cable.

**Step 2** Install the RRU PGND cable.

Connect the M6 OT terminal at one end of the PGND cable to the ground terminal at the RRU bottom and the M8 OT terminal at the other end to the external ground bar, as shown in [Figure 8-6](#).

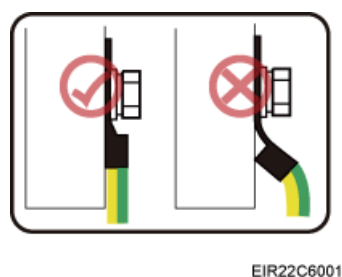
**Figure 8-6** Installing an RRU PGND cable



**NOTE**

Crimp OT terminals in correct positions, as shown in [Figure 8-7](#).

**Figure 8-7** Correct position of an OT terminal



- Step 3** Label the installed cable by referring to Attaching a Cable-Tying Label.

----End

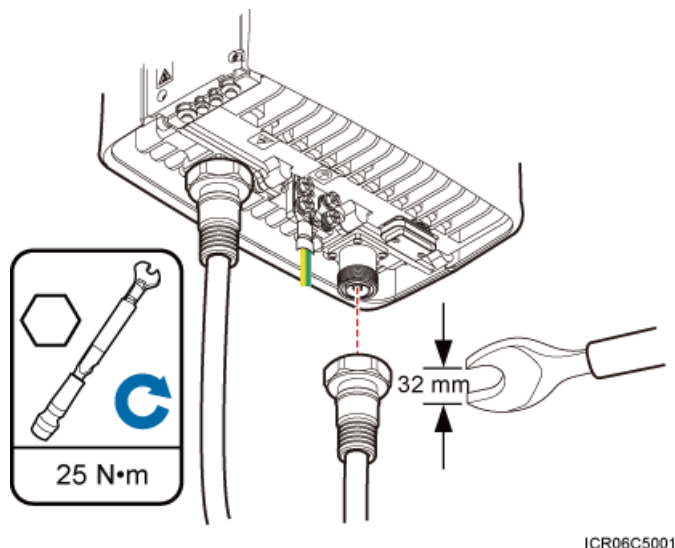
## 8.6 Installing an RRU RF Jumper

This section describes the procedure for installing an RRU RF jumper.

## Procedure

- Step 1** Link the DIN connector at one end of the RF jumper to the ANT port and use a torque wrench to tighten the connector to 25 N·m (221.27 lbf·in.), as shown in [Figure 8-8](#).

**Figure 8-8** Installing an RRU RF jumper



### CAUTION

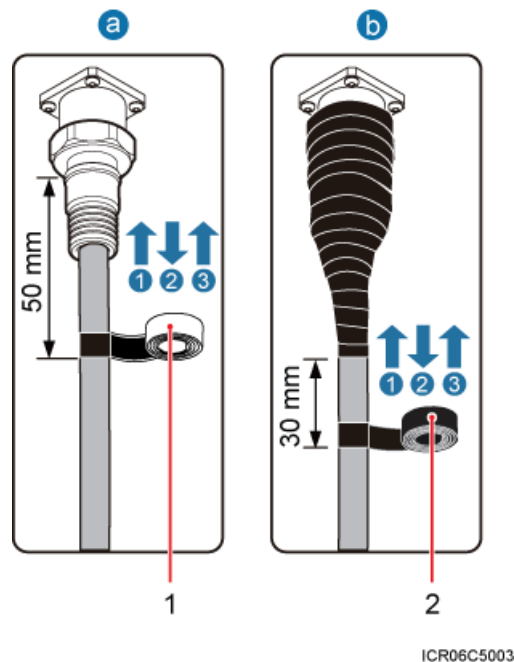
On AC-powered electric railways, such as high speed railways, when leaky cables are connected to RRUs installed in tunnels, high-voltage-resistance DC blocks must be installed between RRU RF jumpers and the leaky cables to protect the RRUs against damage.

---

- Step 2** Link the other end of the RF jumper to the external antenna system.
- Step 3** Waterproof the connectors of the RF jumper by referring to [Figure 8-9](#).



**Figure 8-9** Waterproofing a connector of the RF jumper



(1) Waterproof tape	(2) PVC insulation tape
---------------------	-------------------------

**NOTE**

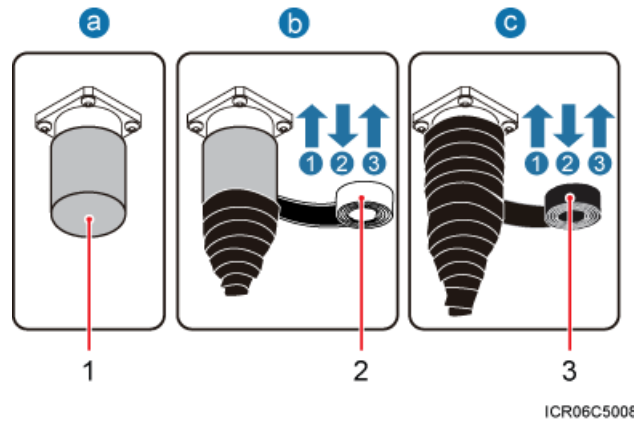
- Before wrapping waterproof tape, stretch the tape evenly until the width of the tape is half of its original width.
  - Wrap each layer of tape around the connector tightly and neatly, and ensure that each layer of tape overlaps more than 50% of the preceding layer.
1. Wrap each connector with three layers of waterproof tape, from bottom up, then from top down, and finally from bottom up. Start the wrapping at the position 50 mm (1.97 in.) away from the bottom of the connector. Do not cut the tape until all the three layers of the tape are already wrapped. Wrap each layer of tape around the connector tightly.
  2. Wrap each connector with three layers of PVC insulation tape, from bottom up, then from top down, and finally from bottom up. Start the wrapping at the position 30 mm (1.18 in.) away from the bottom of the connector. Do not cut the tape until all the three layers of the tape are already wrapped. Wrap each layer of tape around the connector tightly.

**Step 4** Check the dustproof caps on antenna connectors. In outdoor scenarios, dustproof caps must be waterproofed, as shown in [Figure 8-10](#).



Do not remove dustproof caps from vacant antenna connectors.

Figure 8-10 Waterproofing a dustproof cap



(1) Dustproof cap

(2) Waterproof tape

(3) PVC insulation tape

**NOTE**

- Before wrapping waterproof tape, stretch the tape evenly until the width of the tape is half of its original width.
- Wrap each layer of tape around the connector tightly and neatly, and ensure that each layer of tape overlaps more than 50% of the preceding layer.

1. Verify that dustproof caps are not removed.
2. Wrap each dustproof cap with three layers of waterproof tape, from bottom up, then from top down, and finally from bottom up. Do not cut the tape until all the three layers of the tape are already wrapped. Wrap each layer of tape around the cap tightly.
3. Wrap each dustproof cap with three layers of PVC insulation tape, from bottom up, then from top down, and finally from bottom up. Do not cut the tape until all the three layers of the tape are already wrapped. Wrap each layer of tape around the connector tightly.

**Step 5** Lay out the jumper by referring to **8.1 Cabling Requirements**, and then bind the jumper using cable ties.

**Step 6** Label the installed jumper by referring to Attaching a Sign Plate Label.

**Step 7** Attach colored insulation tapes to the jumper by referring to Attaching the Color Ring.

---End

## 8.7 Installing an RRU AISG Multi-Wire Cable and AISG Extension Cable

This section describes the procedures for installing an RRU AISG multi-wire cable and AISG extension cable.

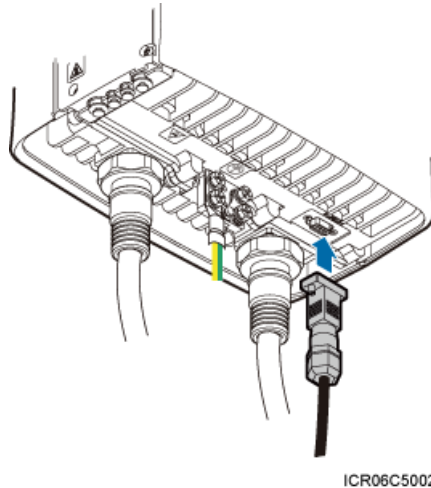
### Context

When the distance between an RRU and a Remote Control Unit (RCU) is longer than 5 m (16.4 ft.), an AISG multi-wire cable is not long enough to connect the RRU and the RCU. In this case, an AISG extension cable is used to extend the AISG multi-wire cable.

## Procedure

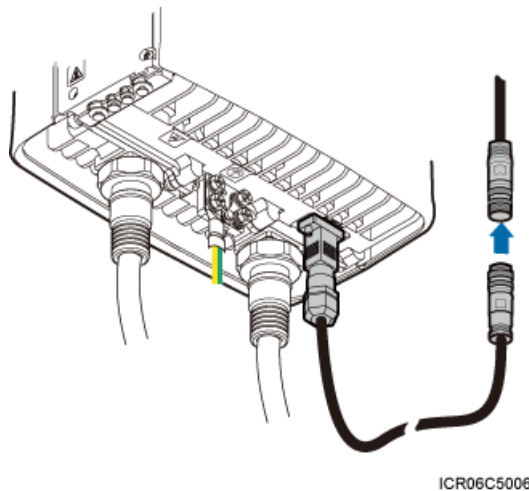
- Install an AISG multi-wire cable that is not configured with an AISG extension cable.
  1. Link the waterproofed DB9 connector at one end the AISG multi-wire cable to the RET port on the RRU bottom, as shown in [Figure 8-11](#).

**Figure 8-11** Installing an RRU AISG multi-wire cable



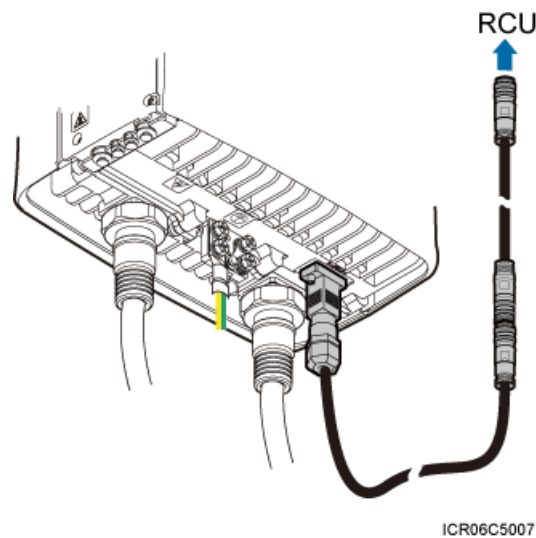
2. Connect the other end of the cable to the standard AISG male connector on the RCU.
  3. Lay out the cable by referring to [8.1 Cabling Requirements](#), and then bind the cable using cable ties.
  4. Label the installed cable by referring to Attaching an L-Shaped Label.
- Install an AISG multi-wire cable that is configured with an AISG extension cable.
    1. Link the waterproofed DB9 connector at one end of the AISG multi-wire cable to the RET port on the RRU bottom, and link the other end to the standard AISG male connector of the AISG extension cable, as shown in [Figure 8-12](#).

**Figure 8-12** Installing an RRU AISG multi-wire cable



2. Connect the other end of the AISG extension cable to the standard AISG male connector on the RCU, as shown in [Figure 8-13](#).

**Figure 8-13** Installing an RRU AISG extension cable



3. Lay out the cable by referring to [8.1 Cabling Requirements](#), and then bind the cable using cable ties.
4. Label the installed cable by referring to Attaching an L-Shaped Label.

----End

## 8.8 Opening the Cover Plate of an RRU Cabling Cavity

This section describes the procedure for opening the cover plate of an RRU cabling cavity.

### Procedure

- Step 1** Wear ESD gloves.

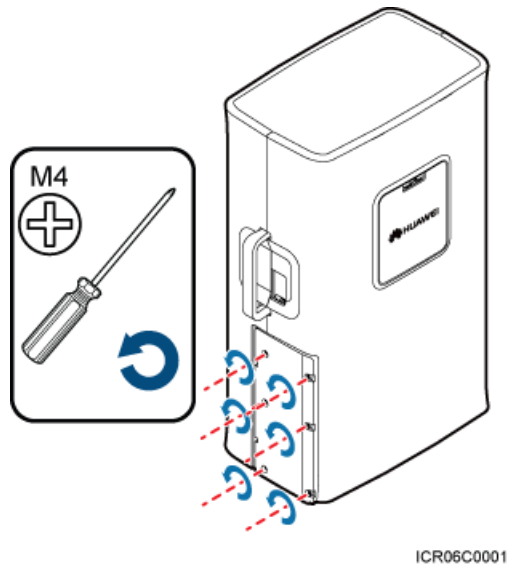


### CAUTION

Take proper ESD protection measures, for example, wear ESD gloves, to prevent electrostatic damage to the boards, modules, or electronic components.

- Step 2** Loosen the six screws on the cover plate of the RRU cabling cavity using an M4 Phillips screwdriver, and then open the cover plate, as shown in [Figure 8-14](#).

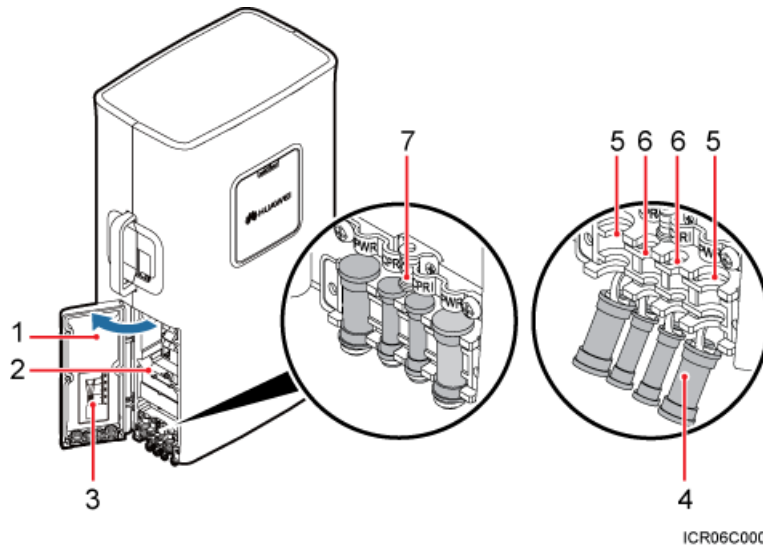
**Figure 8-14** Opening the cover plate of the RRU cabling cavity



ICR06C0001

**Figure 8-15** shows the RRU cabling cavity.

**Figure 8-15** RRU cabling cavity



ICR06C0002

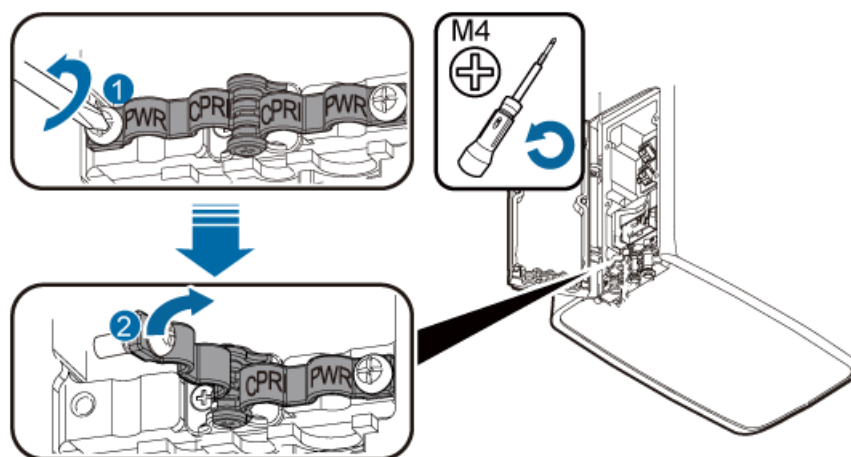
- |                      |                                      |  |
|----------------------|--------------------------------------|--|
| (1) Cover plate      | (2) Cabling cavity                   | (3) Cable diagram on labels                |
| (4) Waterproof block | (5) Cable trough for the power cable | (6) Cable trough for the fiber optic cable |
| (7) Clip             | -                                    | -  |

**Step 3** Loosen the screws on the clip, and open the clip, as shown **Figure 8-16**.

**NOTE**

Open the clip only for the associated cable.

Figure 8-16 Opening clips



----End

## 8.9 Installing an RRU power cable

This section describes the procedure for installing an RRU power cable.

### Prerequisites

- OT terminals are added to the RRU power cable on the RRU side. For details, see [11.1 Adding OT Terminals to the RRU Power Cable on the RRU Side](#).
- A connector or OT terminals are added to the RRU power cable on the power device side. For details, see the *DBS3900 Installation Guide*.

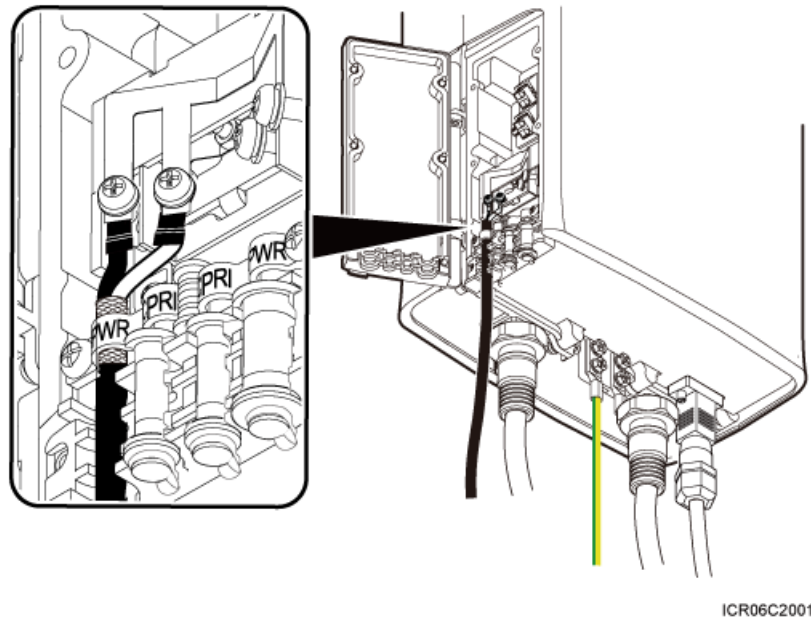
### Context

There are two types of RRU power cables in terms of cross-sectional areas: 3.3 mm<sup>2</sup> (0.005 in.<sup>2</sup>) (12 AWG) complying with North American standards and 4 mm<sup>2</sup> (0.006 in.<sup>2</sup>) complying with European standards.

### Procedure

- Install an RRU power cable that feeds power to an RRU from a DCDCU when the DCDCU is configured.
  1. Connect the OT terminals of the blue and black/brown core wires at one end of the RRU power cable to the NEG(-) and RTN(+) wiring terminals on the RRU cabling cavity respectively, as shown in [Figure 8-17](#).

**Figure 8-17** Installing an RRU power cable



**CAUTION**

Ensure that the exposed shield layer of the power cable is properly tightened using the clip.

2. Connect the OT terminals of the blue and black/brown core wires at the other end of the RRU power cable to the NEG(-) and RTN(+) wiring terminals of the LOAD0 on the DCDCU respectively.

**NOTE**

One DCDCU can supply power to a maximum of six RRUs. The RRU power cable can be connected to any wiring terminal from LOAD0 to LOAD5 on the DCDCU.

3. Lay out the cable by referring to **8.1 Cabling Requirements**, and then bind the cable using cable ties.
  4. Label the installed cable by referring to Attaching a Cable-Tying Label.
- Install an RRU power cable that feeds power to an RRU from the embedded power system (EPS) or embedded power unit (EPU) when the EPS or EPU is configured.
    1. Connect the OT terminals of the blue and black/brown core wires at one end of the RRU power cable to the NEG(-) and RTN(+) wiring terminals on the RRU cabling cavity respectively, as shown in **Figure 8-17**.
    2. Link the tool-less female connector (pressfit type) at one end of the RRU power cable to the RRU0 port on the EPS or EPU subrack.

 **NOTE**

- The blue core wire in the tool-less female connector (pressfit type) is linked to the left port on the EPS or EPU subrack, and the black/brown core wire is linked to the right port on the EPS or EPU subrack.
  - The EPS or EPU can supply power to a maximum of six RRUs. The RRU power cable can be connected to any of RRU0 to RRU5 ports on the EPS or EPU.
3. Lay out the cable by referring to **8.1 Cabling Requirements**, and then bind the cable using cable ties.
  4. Label the installed cable by referring to Attaching a Cable-Tying Label.

---End

## 8.10 Installing a CPRI Fiber Optic Cable

This section describes the procedure for installing a CPRI fiber optic cable.

### Prerequisites

Before the installation, single-mode optical modules can be distinguished from multi-mode optical modules in either of the following ways:

- SM and MM labels on an optical module: SM indicates a single-mode optical module, and MM indicates a multi-mode optical module.
- Color of the puller on an optical module: Blue indicates a single-mode optical module, and black or gray indicates a multi-mode optical module.



### CAUTION

The optical modules to be installed must match CPRI rates.

---

### Context

A CPRI fiber optic cable transmits CPRI signals between a BBU and an RRU.

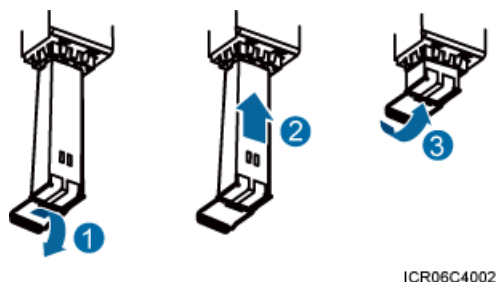
For details about CPRI fiber optic cable connections, see the descriptions of connections for the CPRI fiber optic cable in the *BBU3900 Hardware Description*.

### Procedure

- Step 1** Lower the pullers of two optical modules, insert one optical module into the CPRI\_W port on the RRU and the other optical module into the CPRI port on the BBU, and then raise the pullers, as shown in **Figure 8-18**.



Figure 8-18 Installing an optical module



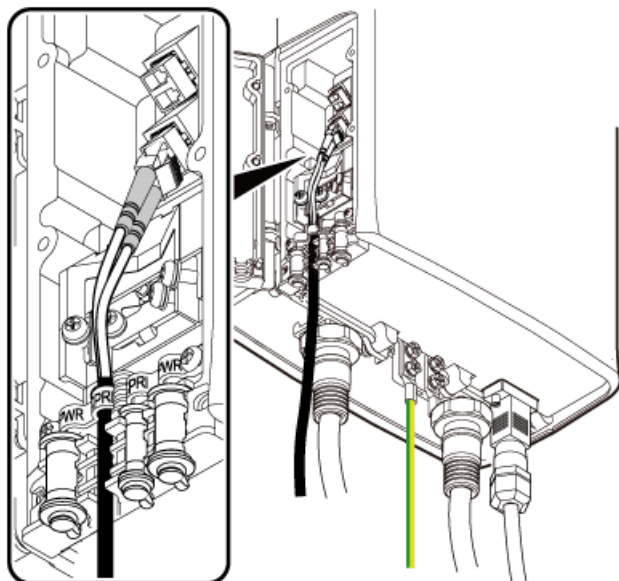
ICR06C4002

 **CAUTION**

The performance of an optical module that is exposed to the air for more than 20 minutes may be abnormal. Therefore, you must insert a fiber optic cable into an unpacked optical module within 20 minutes.

- Step 2** Connect the end labeled 1A and 1B of the fiber optic cable to the optical module on the RRU side, as shown in [Figure 8-19](#).

Figure 8-19 Installing a CPRI fiber optic cable



ICR06C4001

 **CAUTION**

Install the fiber optic cable in the cable clip near the power cable to leave some slack at the bend. Tighten the screws on the cable clip to 1.4 N·m (12.39 lbf·in.).

- Step 3** Connect the end labeled 2A and 2B of the fiber optic cable to the optical module on the BBU side.

**Step 4** Lay out the fiber optic cable by referring to [8.1 Cabling Requirements](#), and then bind the cable using cable ties.

**Step 5** Label the fiber optic cable by referring to Attaching an L-Shaped Label.

----End

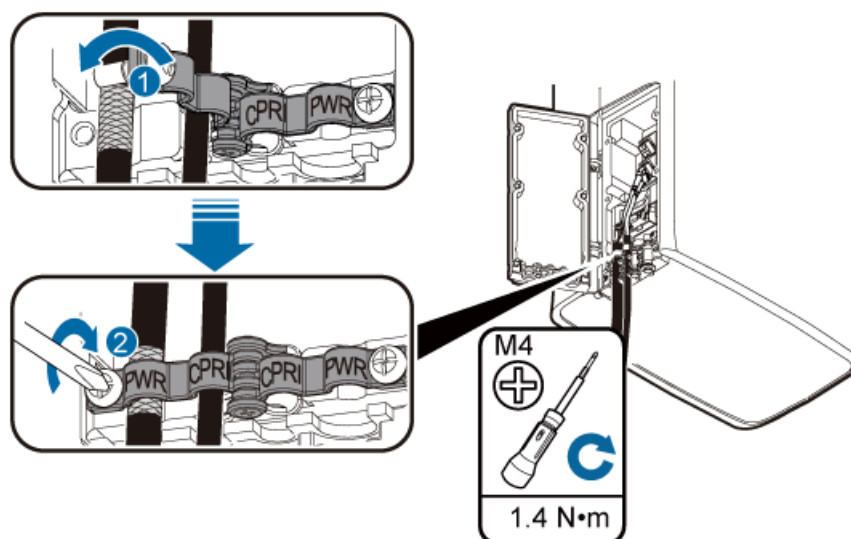
## 8.11 Closing the Cover Plate of an RRU Cabling Cavity

This section describes the procedure for closing the cover plate of an RRU cabling cavity.

### Procedure

**Step 1** Close clips and tighten the screws on each clip to 1.4 N·m (12.39 lbf·in.) using a torque screwdriver, as shown in [Figure 8-20](#).

**Figure 8-20** Closing clips



ICR06C1010



### CAUTION

Ensure that the exposed shield layer of the power cable is properly tightened using the clip.

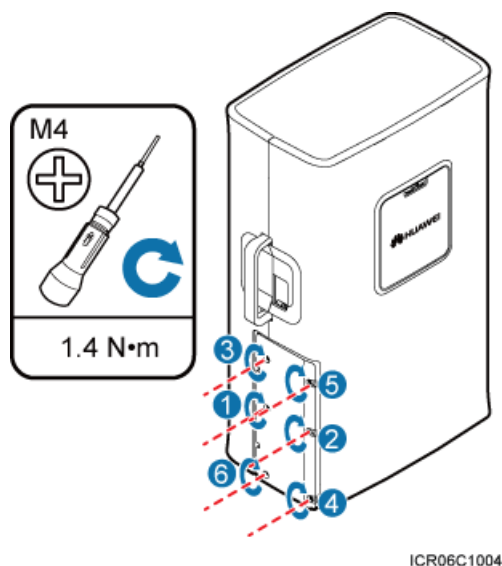
**Step 2** Insert waterproof blocks into vacant cable troughs in the cabling cavity, as shown in [Figure 8-21](#).

**Figure 8-21** Correct placement of waterproof blocks



**Step 3** Close the cover plate of the RRU cabling cavity and tighten the screws on the cover plate to 1.4 N·m (12.39 lbf·in.) using a torque screwdriver, as shown in **Figure 8-22**.

**Figure 8-22** Closing the cover plate of the RRU cabling cavity



**CAUTION**

- Before tightening the screws on the cover plate, ensure that cables and waterproof blocks are properly inserted into troughs.
  - Tighten the screws on the cover plate in the sequence shown in the figure.
- 

**Step 4** Take off the ESD gloves, and pack up all the tools.

----End

# 9 Checking the RRU Hardware Installation

After an RRU is installed, check the hardware installation.

**Table 9-1** provides the checklist for the RRU hardware installation.

**Table 9-1** Checklist for the RRU hardware installation

SN	Item
1	The position for each device conforms to the engineering drawing and meets the space requirement. Sufficient space is reserved for equipment maintenance.
2	The RRU is securely installed.
3	The cover plate is securely installed on the RRU cabling cavity.
4	Waterproof blocks are securely installed in vacant cable troughs of the RRU cabling cavity, and the cover plate for the cabling cavity is securely installed. In addition, vacant RF ports are covered with dustproof caps and the caps are tightened.
5	There are no connectors or joints on each power cable or PGND cable.
6	The terminals at two ends of each power cable or PGND cable are securely soldered or crimped.
7	None of power cables and PGND cables can be short-circuited or reversely connected. In addition, these cables are not damaged or broken.
8	Power cables and PGND cables are separately bound from other cables.
9	The protection grounding of the RRU and the surge protection grounding of the building share one group of ground conductors.
10	The connectors of each signal cable are intact and securely linked, and these cables are not damaged or broken.
11	Labels are correct, legible, and complete at both ends of each cable, feeder, and jumper.

# 10 Powering On an RRU

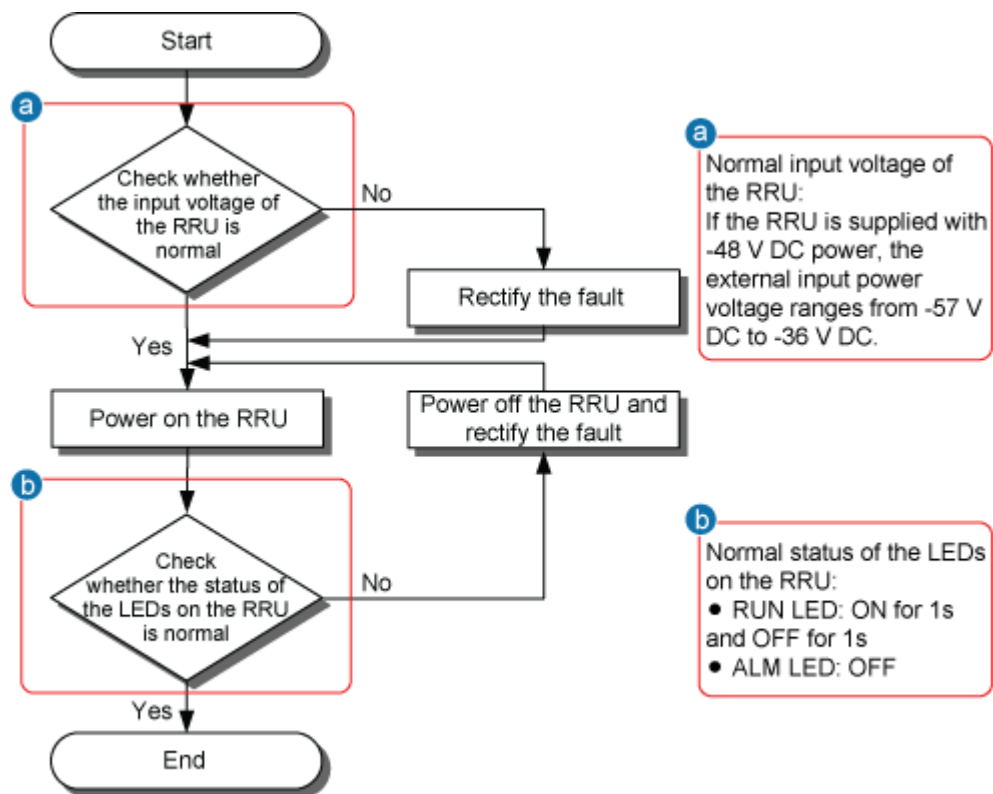
After all the devices are installed, check the power-on status of an RRU.

## CAUTION

After you unpack an RRU, you must power on it within 24 hours. If you power off the RRU for maintenance, you must restore power to the RRU within 24 hours.

Figure 10-1 shows the RRU power-on check process.

Figure 10-1 RRU power-on check process



IPR06C0003

---

# 11 Appendix

---

## About This Chapter

This section describes the procedure for adding OT terminals.

### [11.1 Adding OT Terminals to the RRU Power Cable on the RRU Side](#)

This section describes the procedure for adding OT terminals to the RRU power cable on the RRU side.

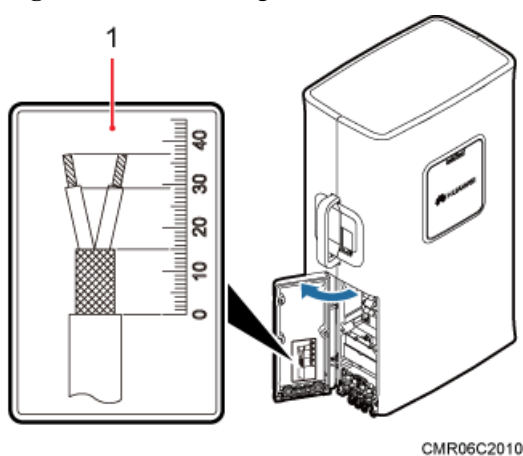
## 11.1 Adding OT Terminals to the RRU Power Cable on the RRU Side

This section describes the procedure for adding OT terminals to the RRU power cable on the RRU side.

### Context

**Figure 11-1** shows the cable diagram on labels.

**Figure 11-1** Cable diagram on labels

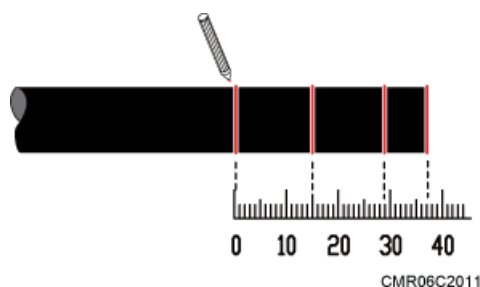


(1) Cable diagram on labels

### Procedure

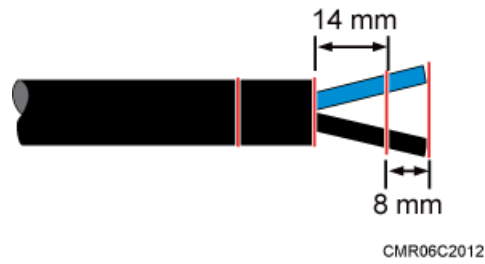
- Step 1** Determine the length of the power cable for different operations based on the labels, as shown in **Figure 11-2**.

**Figure 11-2** Determining the length of the power cable



- Step 2** Strip the specified length of the sheath and shield layer off the power cable, as shown in **Figure 11-3**.

**Figure 11-3** Stripping the specified length of the sheath and shield layer



**Step 3** Strip the sheath off each core wire, as shown in **Figure 11-4**.

**Figure 11-4** Stripping the sheath off each core wire



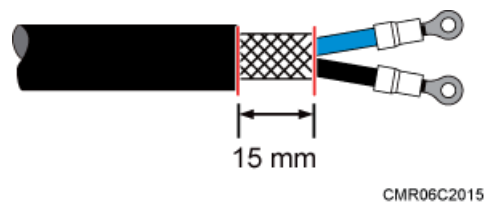
**Step 4** Add OT terminals to two core wires, as shown in **Figure 11-5**.

**Figure 11-5** Adding OT terminals



**Step 5** Strip about 15 mm (0.59 in.) of the sheath off the power cable to expose the intact shield layer, as shown in **Figure 11-6**.

**Figure 11-6** Stripping the specified length of sheath



----End