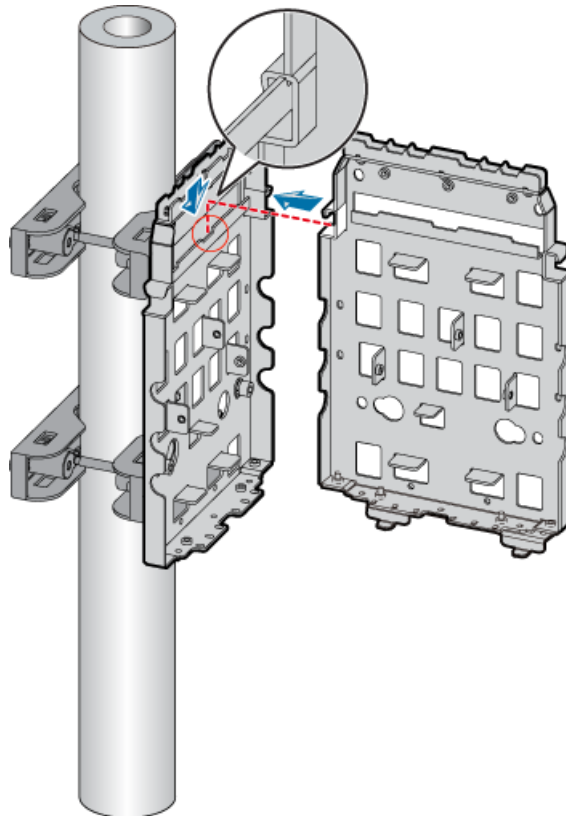


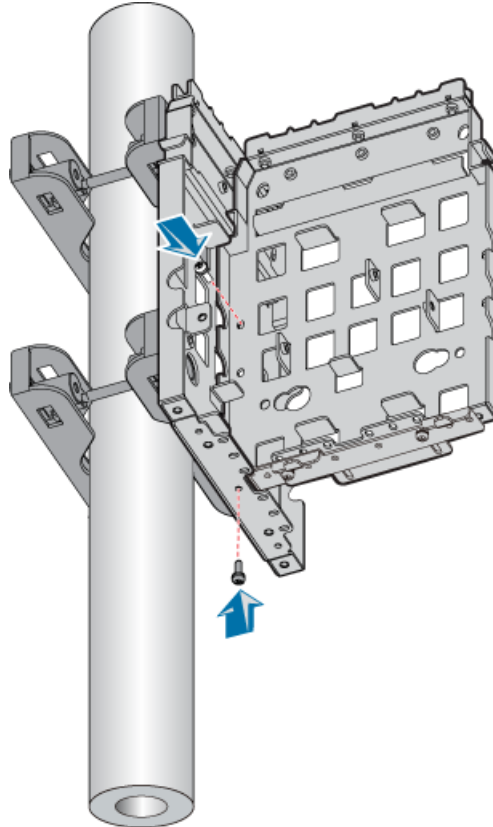
Figure 3-28 Installing the second mounting plate



CAUTION

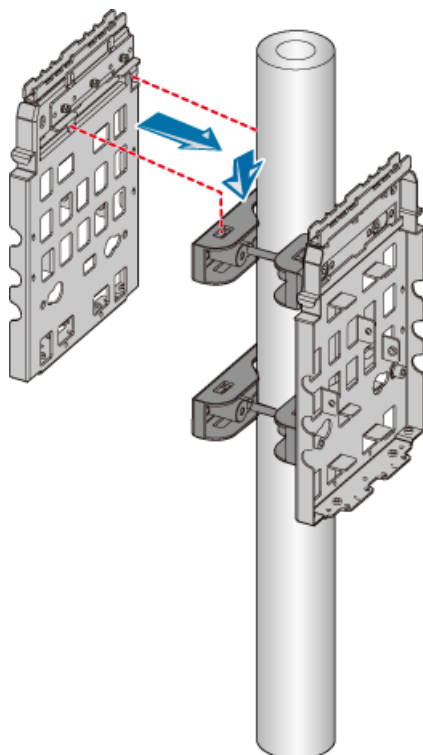
The tab on the left of the second mounting plate must be fitted into the anchor slot in the middle of the first mounting plate.

5. Use two screws M6 x 20 to secure the second mounting plate on the first one, as shown in [Figure 3-29](#).

Figure 3-29 Securing the second mounting plate on the first one

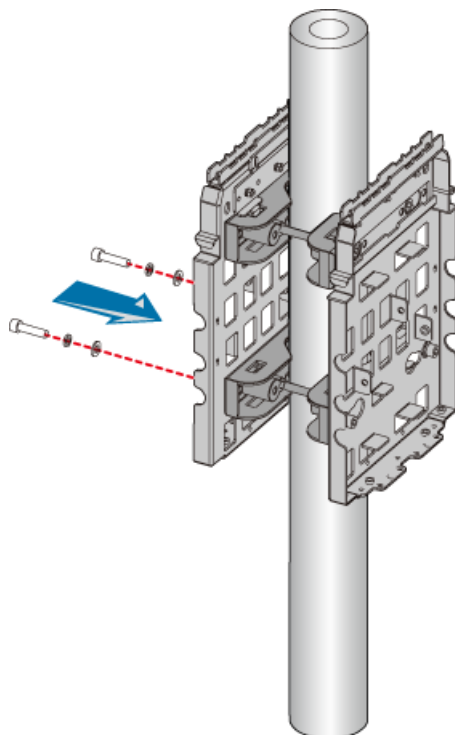
- Rear-mounted installation
 1. Install the first mounting plate by referring to [3.4.1.1 Installing the Mounting Plate of the Single RRU3804 on the Metal Pole](#).
 2. Use the holes numbered 1.
 3. Secure the multi-purpose attachment plate on the second mounting plate at the upper part of its back.
 4. Install the second mounting plate by fitting the tabs on the mounting plate into the anchor slots in the upper pole fixture on the other side, as shown in [Figure 3-30](#).

Figure 3-30 Installing the second mounting plate



5. Lead each bolt M10 x 110 through the spring washer 10, flat washer 10, and insulating washer in turn. Use the two bolts to secure the second mounting plate on the lower pole fixture, as shown in [Figure 3-31](#).

Figure 3-31 Securing the second mounting plate



---End

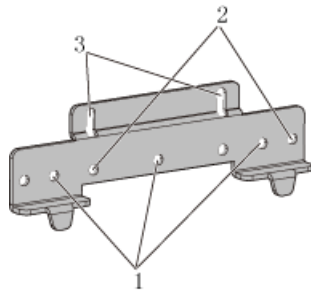
Installing the Mounting Plates of the Two RRU3804s on the Wall

This describes how to install the mounting plates on the wall.

Procedure

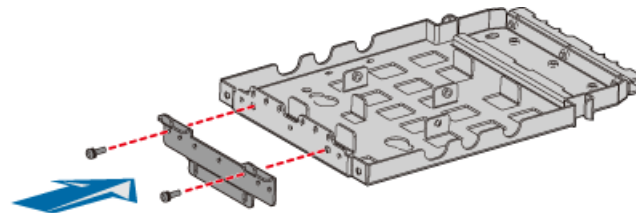
- Step 1** Install the first mounting plate by referring to [3.4.1.2 Installing the Mounting Plate of the Single RRU3804 on the Wall](#).
- Step 2** Use the holes numbered 2 in [Figure 3-32](#).

Figure 3-32 Holes in the multi-purpose attachment plate



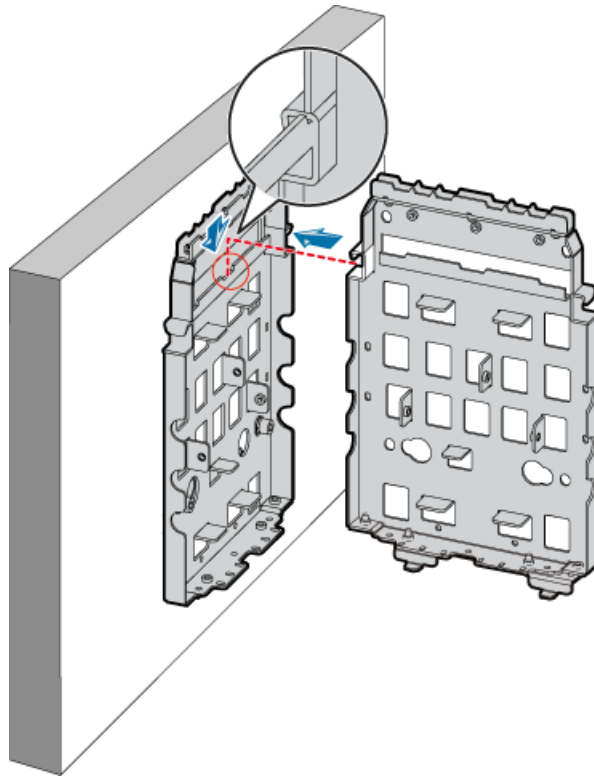
- Step 3** Use two screws M6 x 20 to secure the multi-purpose attachment plate at the bottom of the second mounting plate, as shown in [Figure 3-33](#).

Figure 3-33 Securing the multi-purpose attachment plate at the bottom of the second mounting plate



- Step 4** Fit the tab on the left of the second mounting plate into the anchor slot in the first mounting plate, as shown in [Figure 3-34](#).

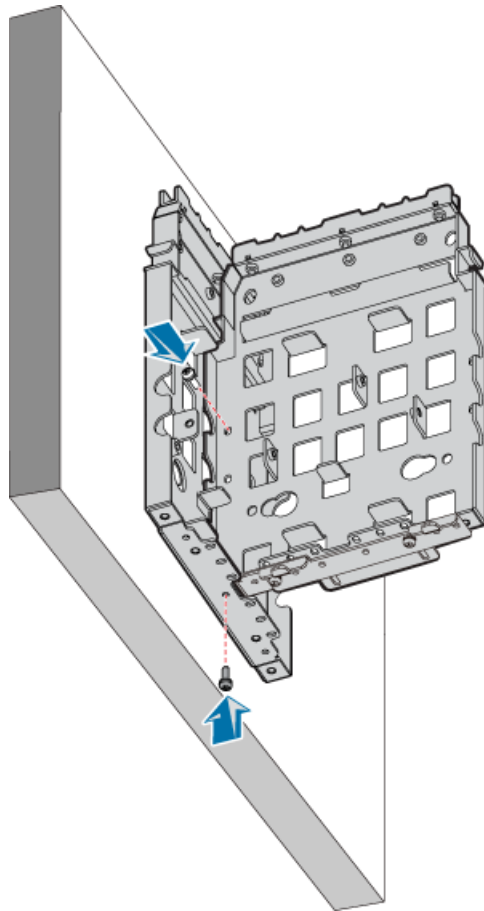
Figure 3-34 Installing the second mounting plate



CAUTION

The tab on the left of the second mounting plate must be fitted into the anchor slot in the middle of the first mounting plate.

- Step 5** Use two screws M6 x 20 to secure the second mounting plate on the first one, as shown in [Figure 3-35](#).

Figure 3-35 Securing the second mounting plate on the first one

---End

Installing the Two RRU3804 Modules

This describes how to install the two RRU3804 modules on a metal pole. The procedures for installing the modules in pole or wall installation mode are the same.

Prerequisite

- The RRU3804 mounting plate is installed.
- If the RRU3804 needs to be installed on a metal pole, the PGND cable of the metal pole is connected.

Context

Two methods can be used to install the mounting plates on the metal pole. Accordingly, you can also install the two modules by using the following methods. Select a proper method depending on the installation of the mounting plates.

- **Side-mounted installation**
- **Rear-mounted installation**

Procedure

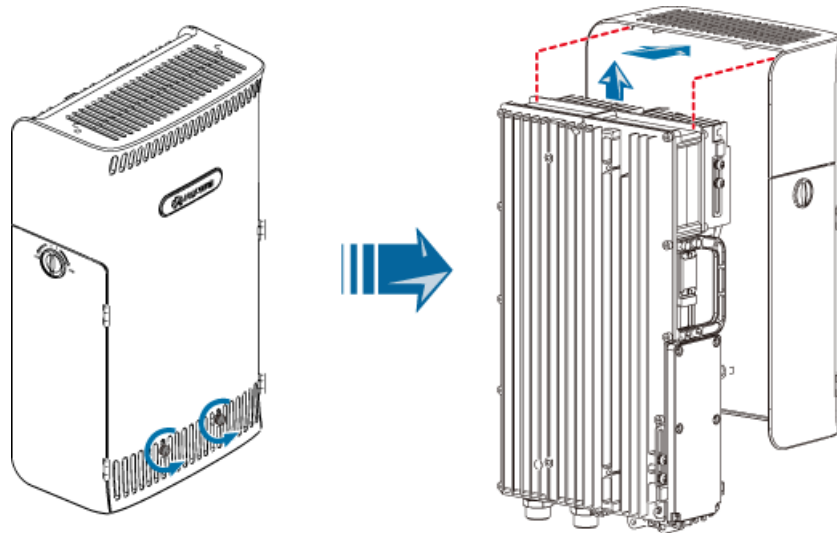
- Side-mounted installation

CAUTION

To ensure that the cabling cavities of the modules face outwards, the module on the left must be installed in reverse mode while the one on the right must be in ordinary mode.

-
1. Remove the plastic housing of the RRU3804 that needs to be installed in reverse mode, as shown in [Figure 3-36](#).

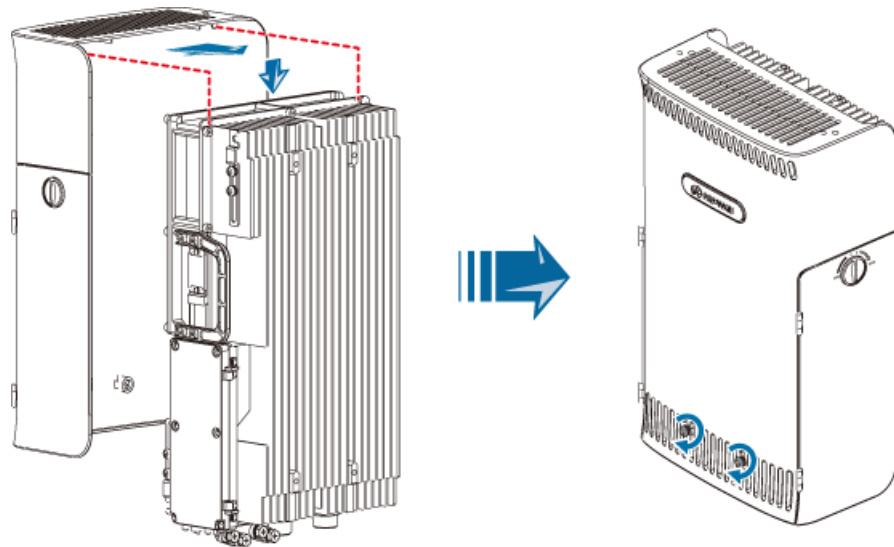
Figure 3-36 Removing the plastic housing



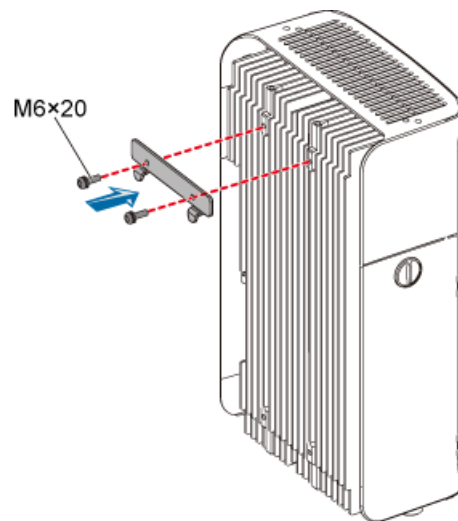
CAUTION

If you need to put the plastic housing face down, lay cardboards or packing bags on the ground first to prevent the plastic housing from being scratched.

-
2. Turn the module over, and then fix the housing to the module, as shown in [Figure 3-37](#).

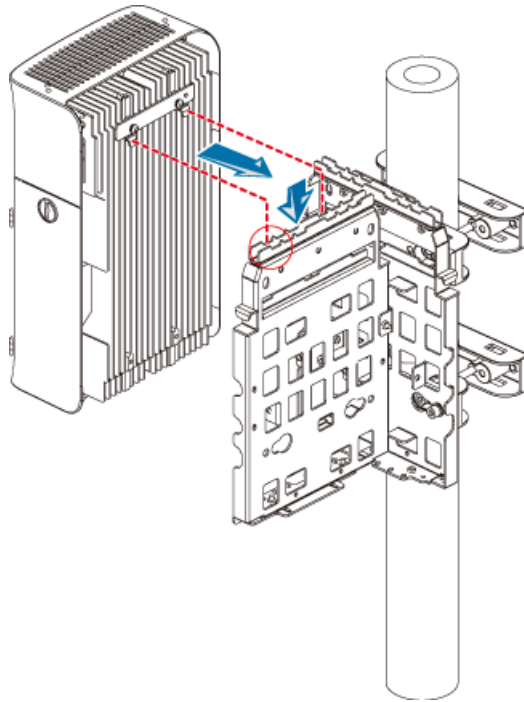
Figure 3-37 Installing the module in reverse mode in the housing

3. Use two screws M6 x 20 to secure the attachment plate on the module in reverse mode, as shown in [Figure 3-38](#).

Figure 3-38 Securing the attachment plate on the module in reverse mode

4. Fit the tabs on the attachment plate of the module in reverse mode into the anchor slots in the front of the second mounting plate, as shown in [Figure 3-39](#).

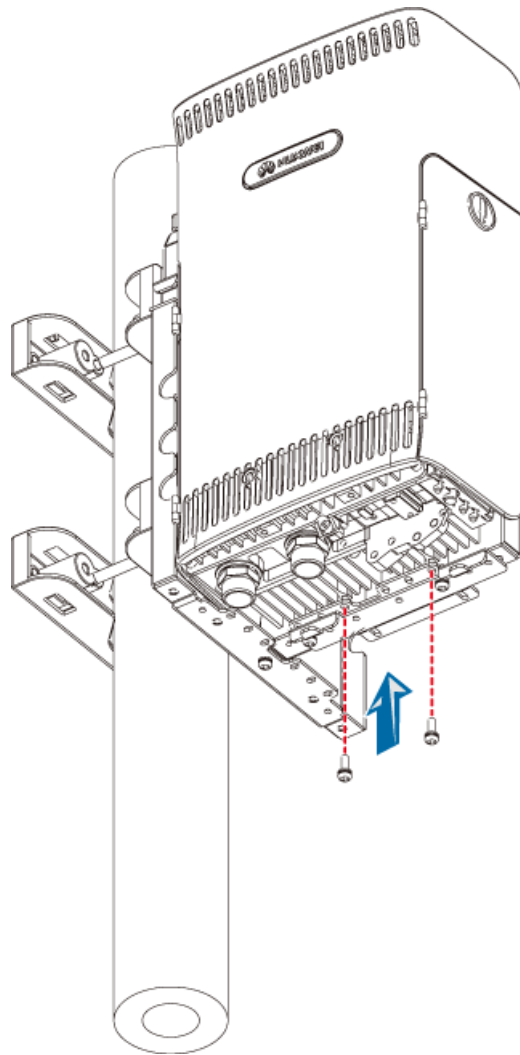
Figure 3-39 Installing the first module



CAUTION

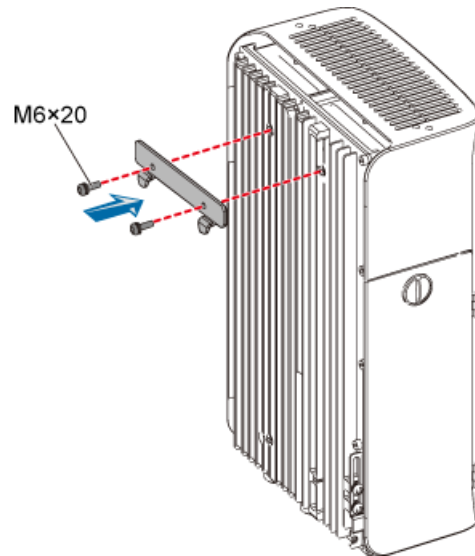
The tabs on the attachment plate must be fitted into the outmost pair of anchor slots in the mounting plate.

-
5. Lead two screws M6 x 20 through the holes in the bottom of the module. Then, secure the module on the mounting plate, as shown in [Figure 3-40](#).

Figure 3-40 Securing the first module

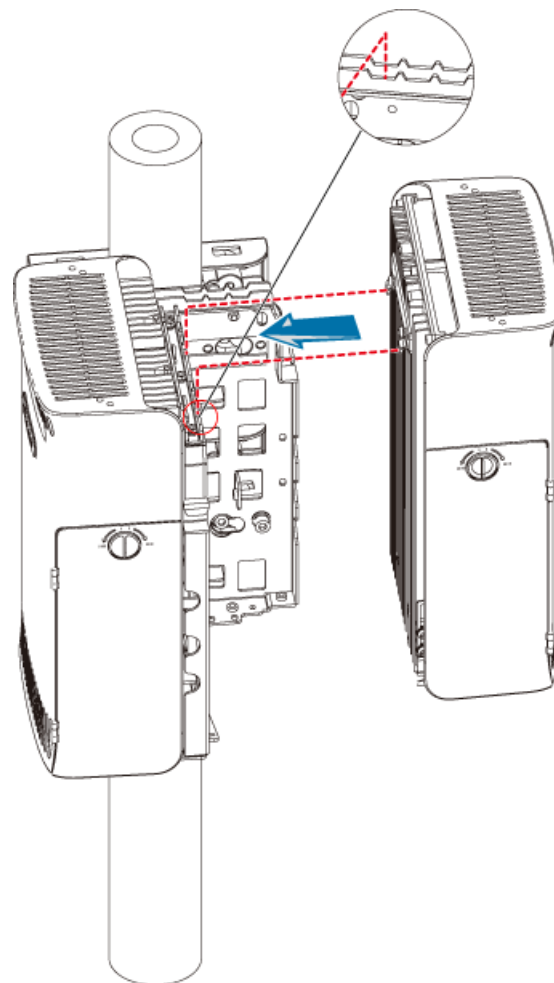
6. Use two screws M6 x 20 to secure the attachment plate on the other module, as shown in [Figure 3-41](#).

Figure 3-41 Securing the attachment plate on the module in ordinary mode



7. Fit the tabs on the attachment plate of the module in ordinary mode into the anchor slots in the back of the second mounting plate, as shown in [Figure 3-42](#).

Figure 3-42 Installing the second module

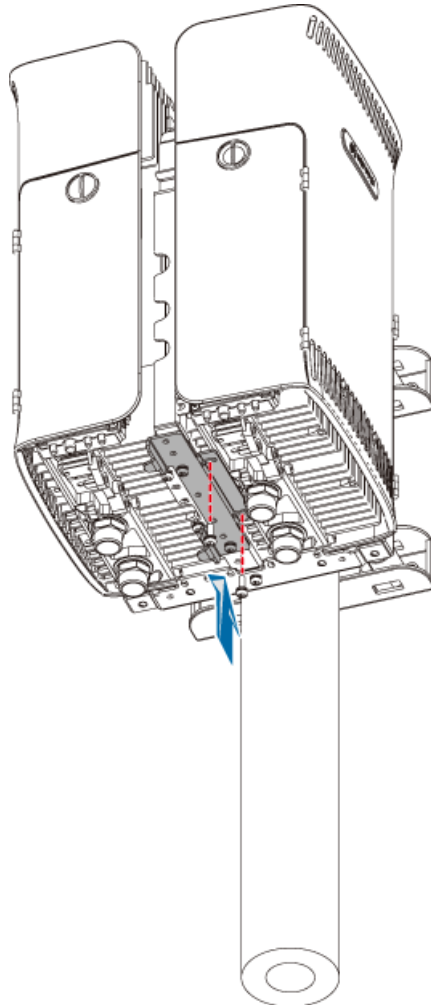


**CAUTION**

The tabs on the attachment plate must be fitted into the outmost pair of slots in the mounting plate.

8. Lead two screws M6 x 20 through the holes in the bottom of the module. Then, secure the module on the mounting plate, as shown in [Figure 3-43](#).

Figure 3-43 Securing the second module

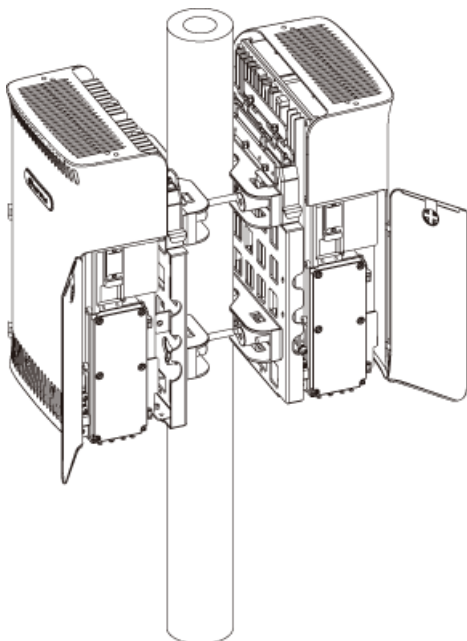


- Rear-mounted installation
 1. Install the first module by referring to [3.4.1.3 Installing the Single RRU3804 Module](#).
 2. Perform the same steps to install the second module.

 **NOTE**

To ensure that the cabling cavities of the modules are on the same side, it is recommended that the second module be installed in reverse mode, as shown in [Figure 3-44](#).

Figure 3-44 Rear-mounted RRU3804s with the cabling cavities on the same side



---End

3.4.3 Installing Three RRU3804s

This describes how to install three RRU3804 modules and their mounting plates. The three RRU3804s can be installed on a metal pole or wall.

Procedure

Step 1 Install the mounting plate of the RRU3804. The operation varies with the installation mode.

Condition	Action
The RRU3804 needs to be installed on a metal pole.	Install the mounting plates of the three RRU3804s on the metal pole.
The RRU3804 needs to be installed on a wall.	Install the mounting plates of the three RRU3804s on the wall.

Step 2 Install the three RRU3804 modules. For details, refer to [3.4.3.3 Installing the Three RRU3804 Modules](#).

---End

Installing the Mounting Plates of the Three RRU3804s on the Metal Pole

This describes how to install the mounting plates on the metal pole.

Prerequisite

The metal pole is ready and the pole diameter stays within the range of 60 mm to 114 mm.

Context

When installing the three RRU3804 modules on the metal pole, you can use either the side-mounted installation method or the hybrid installation method. Hybrid installation facilitates capacity expansion of the carriers. **Figure 3-45** is the top view of the three modules using the side-mounted installation method.

Figure 3-45 Top view of the three modules using the side-mounted installation method

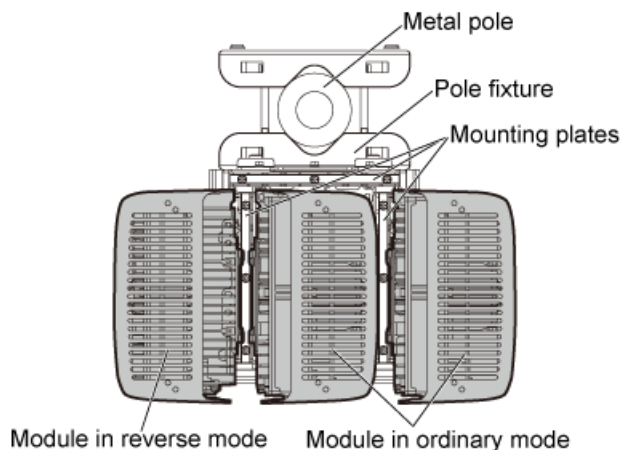
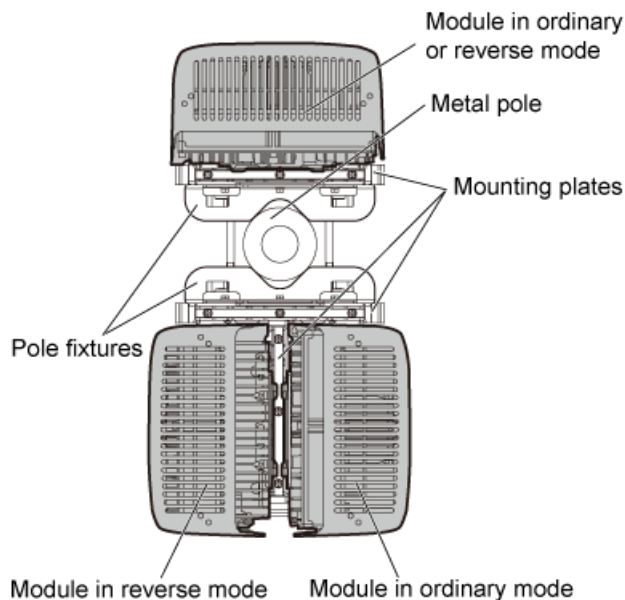


Figure 3-46 is the top view of the three modules using the hybrid installation method.

Figure 3-46 Top view of the three modules using the hybrid installation method



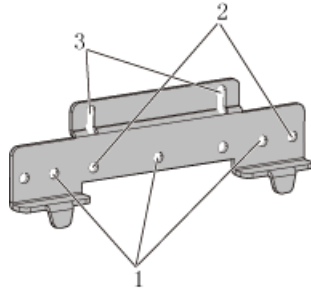
NOTE

The following description takes the side-mounted installation method as an example. For description of the hybrid installation method, refer to [3.4.1.1 Installing the Mounting Plate of the Single RRU3804 on the Metal Pole](#) and [3.4.2.1 Installing the Mounting Plates of the Two RRU3804s on the Metal Pole](#).

Procedure

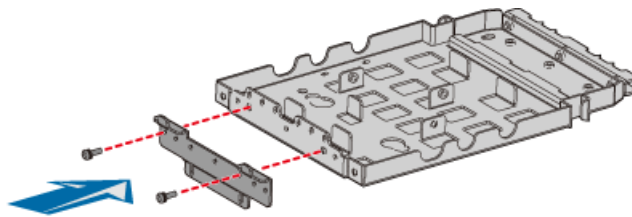
- Step 1** Install the first mounting plate by referring to [3.4.1.1 Installing the Mounting Plate of the Single RRU3804 on the Metal Pole](#).
- Step 2** Use the holes numbered 2 in [Figure 3-47](#).

Figure 3-47 Holes in the multi-purpose attachment plate

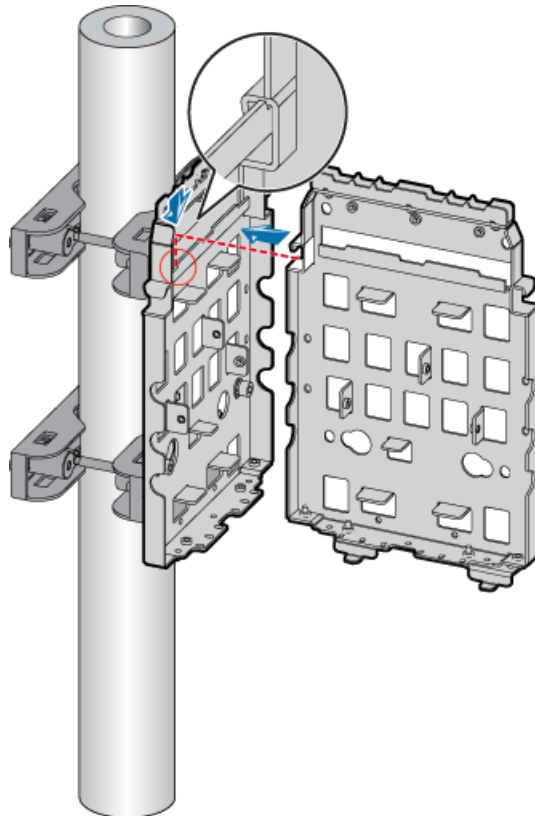


- Step 3** Use two screws M6 x 20 to secure the multi-purpose attachment plate at the bottom of the second mounting plate, as shown in [Figure 3-48](#).

Figure 3-48 Securing the multi-purpose attachment plate at the bottom of the second mounting plate



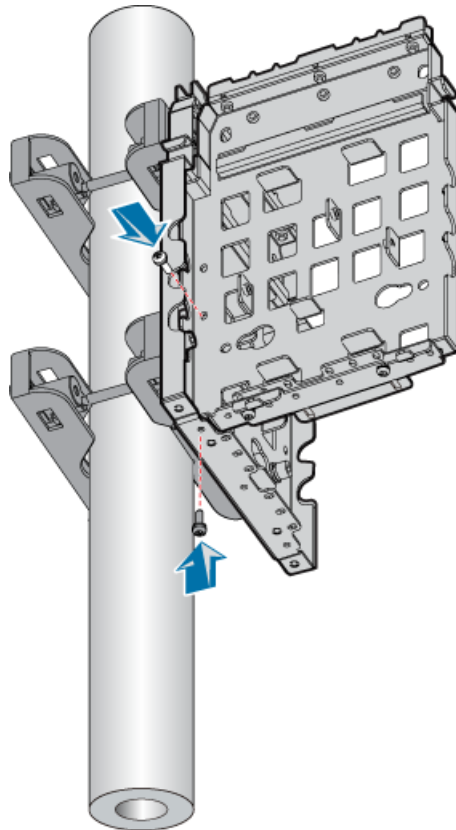
- Step 4** Fit the tab on the left of the second mounting plate into the anchor slot in the first mounting plate, as shown in [Figure 3-49](#).

Figure 3-49 Installing the second mounting plate**CAUTION**

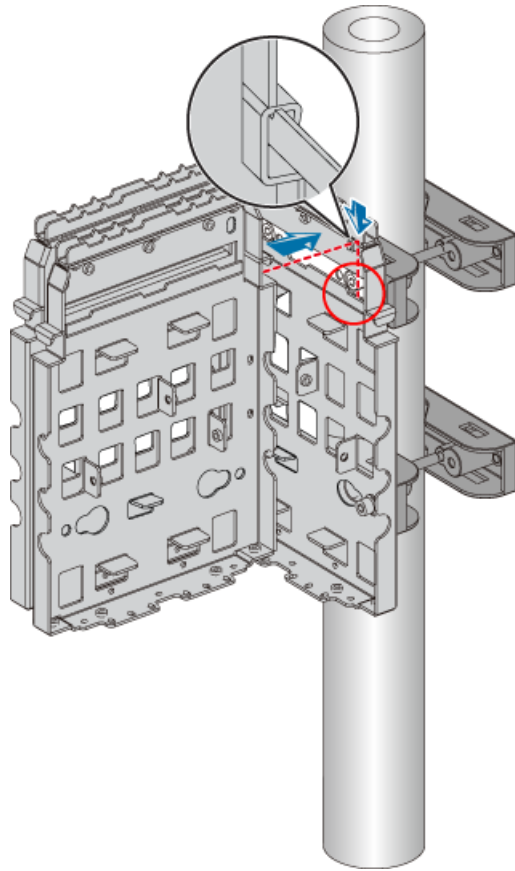
The tab on the left of the second mounting plate must be fitted into the anchor slot on the left of the first mounting plate.

- Step 5** Use two screws M6 x 20 to secure the second mounting plate on the first one, as shown in [Figure 3-50](#).

Figure 3-50 Securing the second mounting plate on the first one



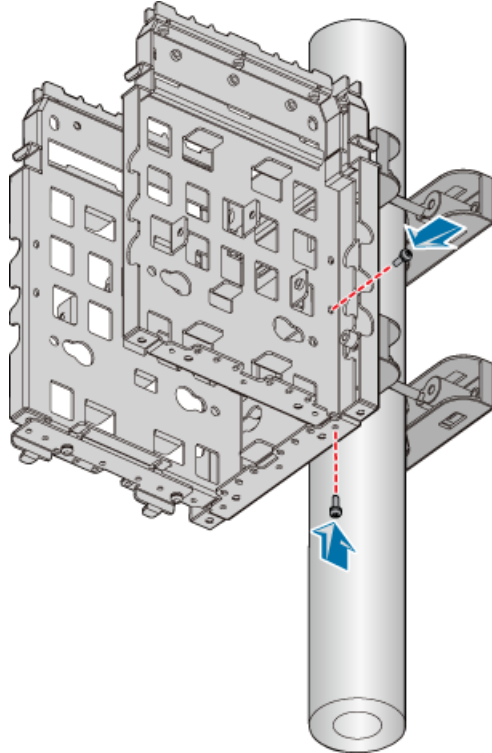
Step 6 Fit the tab on the right of the third mounting plate into the anchor slot in the first mounting plate, as shown in [Figure 3-51](#).

Figure 3-51 Installing the third mounting plate**CAUTION**

The tab on the right of the third mounting plate must be fitted into the anchor slot on the right of the first mounting plate.

Step 7 Use two screws M6 x 20 to secure the third mounting plate on the first one, as shown in [Figure 3-52](#).

Figure 3-52 Securing the third mounting plate on the first one



----End

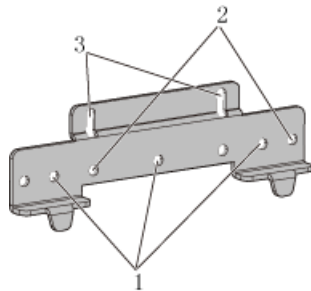
Installing the Mounting Plates of the Three RRU3804s on the Wall

This describes how to install the mounting plates on the wall.

Procedure

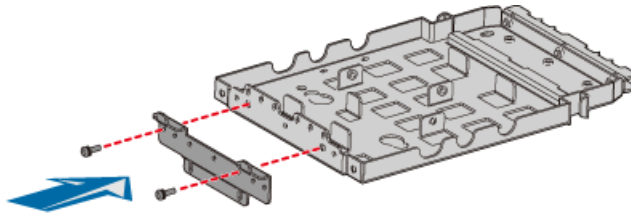
- Step 1** Install the first mounting plate by referring to [3.4.1.2 Installing the Mounting Plate of the Single RRU3804 on the Wall](#).
- Step 2** Use the holes numbered 2 in [Figure 3-53](#).

Figure 3-53 Holes in the multi-purpose attachment plate



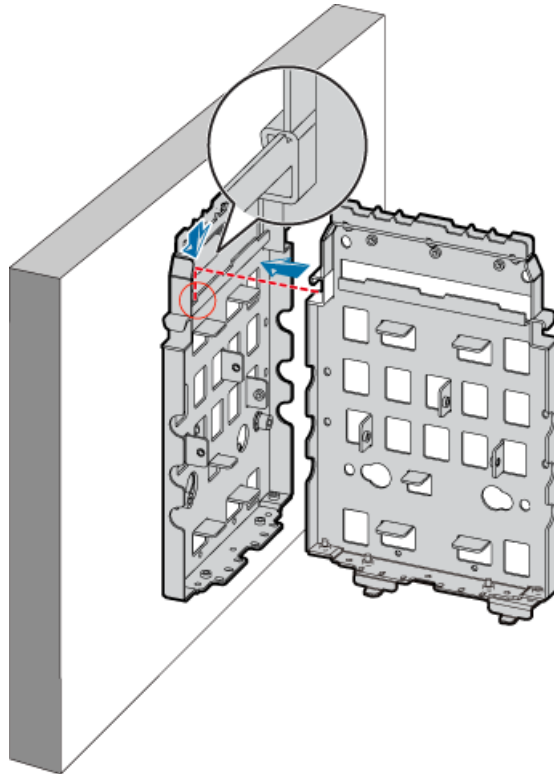
- Step 3** Use two screws M6 x 20 to secure the multi-purpose attachment plate at the bottom of the second mounting plate, as shown in [Figure 3-54](#).

Figure 3-54 Securing the multi-purpose attachment plate at the bottom of the second mounting plate



Step 4 Fit the tab on the left of the second mounting plate into the anchor slot in the first mounting plate, as shown in [Figure 3-55](#).

Figure 3-55 Installing the second mounting plate

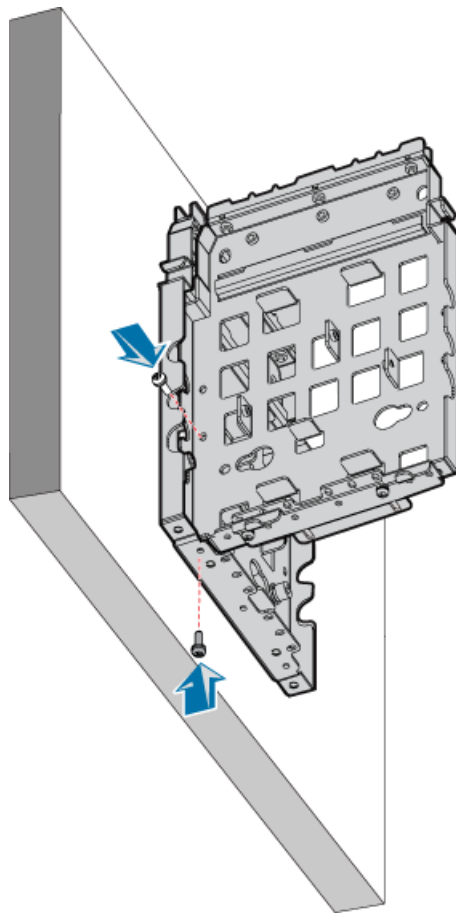


CAUTION

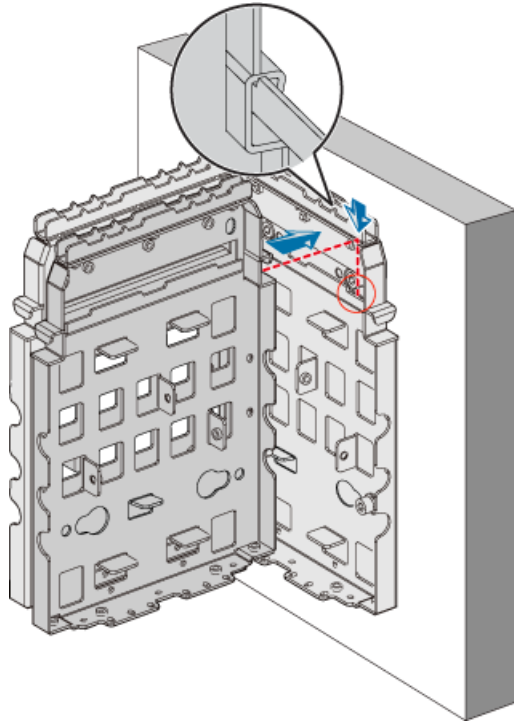
The tab on the left of the second mounting plate must be fitted into the anchor slot on the left of the first mounting plate.

Step 5 Use two screws M6 x 20 to secure the second mounting plate on the first one, as shown in [Figure 3-56](#).

Figure 3-56 Securing the second mounting plate on the first one



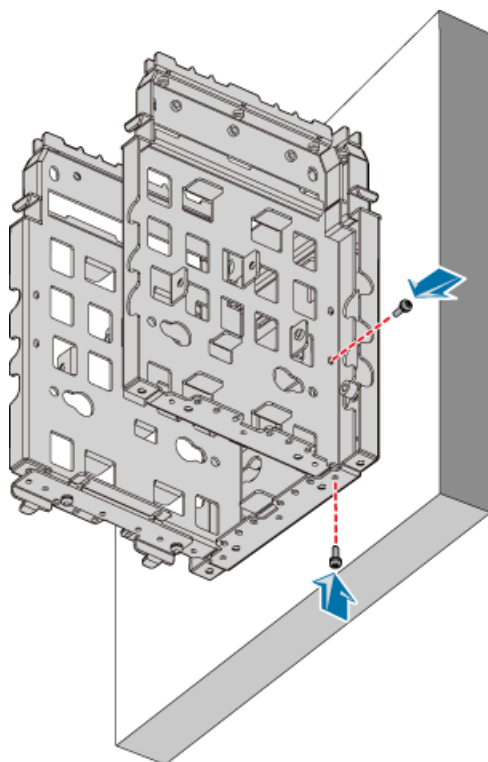
Step 6 Fit the tab on the right of the third mounting plate into the anchor slot in the first mounting plate, as shown in [Figure 3-57](#).

Figure 3-57 Installing the third mounting plate**CAUTION**

The tab on the left of the third mounting plate must be fitted into the anchor slot on the right of the first mounting plate.

- Step 7** Use two screws M6 x 20 to secure the third mounting plate on the first one, as shown in [Figure 3-58](#).

Figure 3-58 Securing the third mounting plate on the first one



----End

Installing the Three RRU3804 Modules

This describes how to install the three RRU3804 modules on a metal pole. The procedures for installing the modules in pole or wall installation mode are the same.

Prerequisite

- The RRU3804 mounting plate is installed.
- If the RRU3804 needs to be installed on a metal pole, the PGND cable of the metal pole is connected.

Context



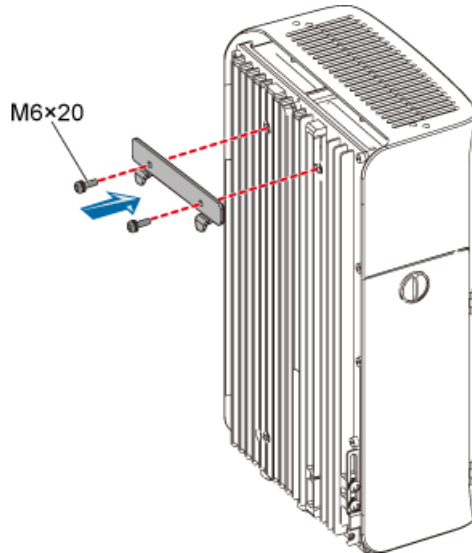
CAUTION

- Install the middle module first. Otherwise, the middle module cannot be installed.
 - To ensure that the cabling cavities of the modules face outwards, the module on the left must be installed in reverse mode while the one on the right must be in ordinary mode.
 - The tabs on each attachment plate must be fitted into the outmost pair of anchor slots in each mounting plate.
-

Procedure

- Step 1** Use two screws M6 x 20 to secure the attachment plate on the first module, as shown in [Figure 3-59](#).

Figure 3-59 Securing the attachment plate on the first module



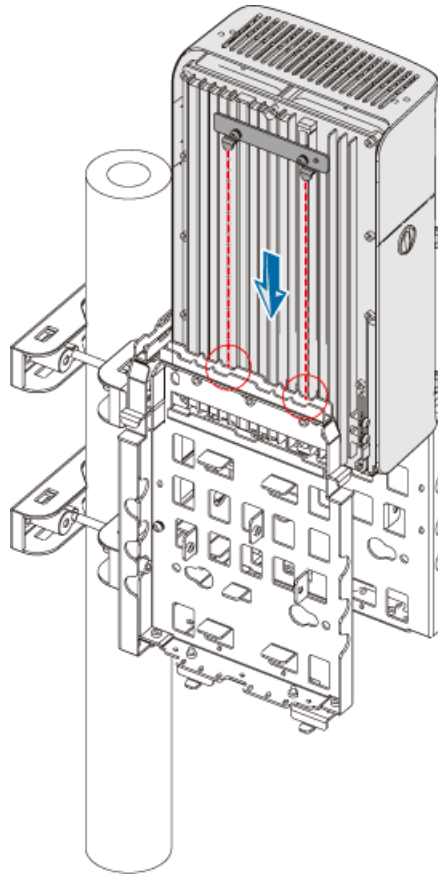
CAUTION

When installing the attachment plate, protect the plastic housing from being scratched.

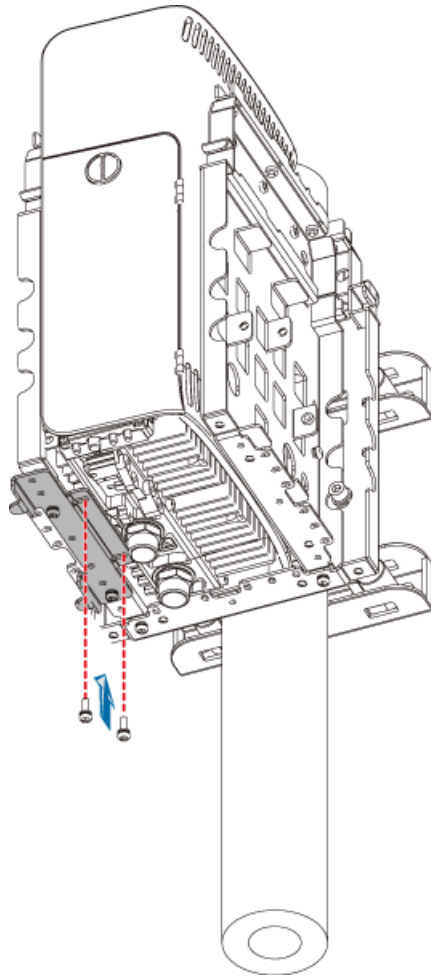
- If you find that the plastic housing is put face down when unpacking the RRU3804, install the attachment plate before taking out the RRU3804.
- If you find that the plastic housing is put face up, lay cardboards or packing bags on the ground. Then, take out the RRU3804 and install the attachment plate.

- Step 2** Fit the tabs on the attachment plate of the module into the anchor slots in the back of the left mounting plate, as shown in [Figure 3-60](#).

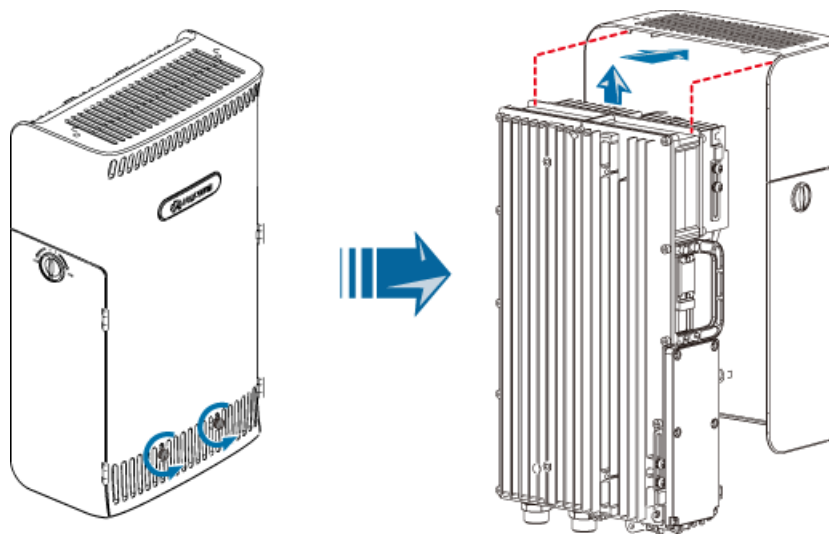
Figure 3-60 Installing the first module



Step 3 Lead two screws M6 x 20 through the holes in the bottom of the module. Then, secure the module on the mounting plate, as shown in [Figure 3-61](#).

Figure 3-61 Securing the first module

Step 4 Remove the plastic housing of the RRU3804 that needs to be installed in reverse mode, as shown in [Figure 3-62](#).

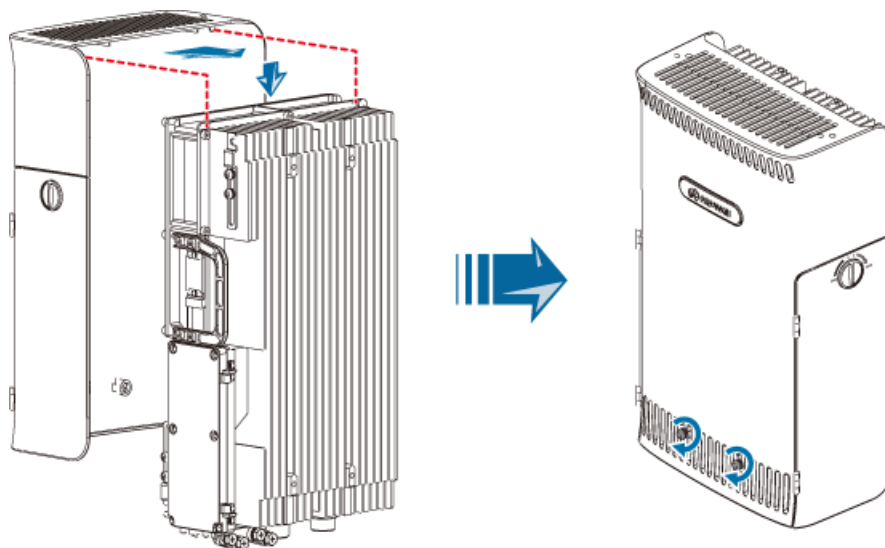
Figure 3-62 Removing the plastic housing

 **CAUTION**

If you need to put the plastic housing face down, lay cardboards or packing bags on the ground first to prevent the plastic housing from being scratched.

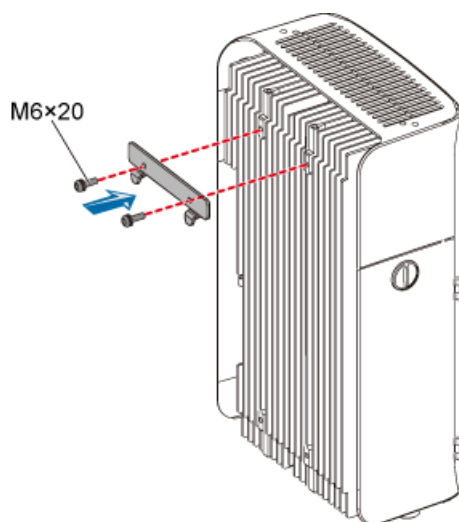
Step 5 Turn the module over, and then fix the housing to the module, as shown in [Figure 3-63](#).

Figure 3-63 Installing the module in reverse mode in the housing

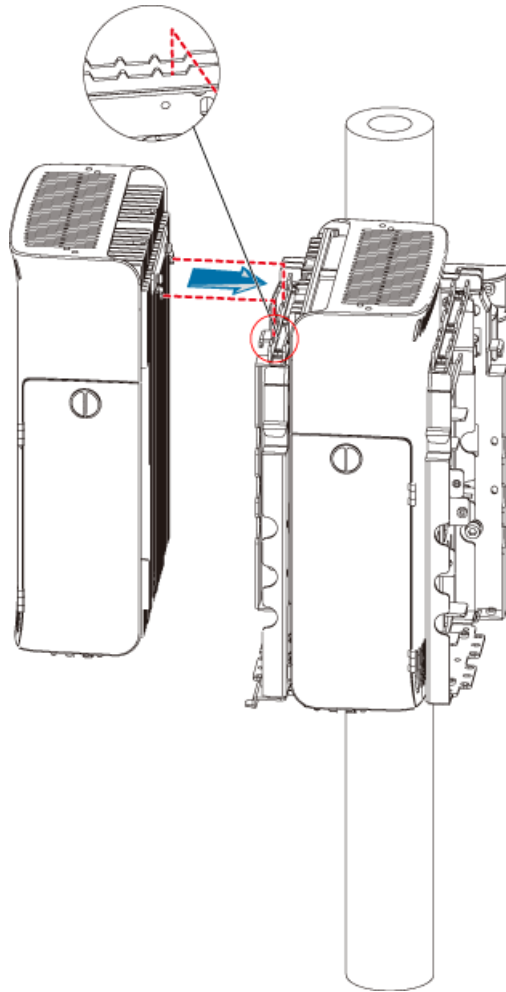


Step 6 Use two screws M6 x 20 to secure the attachment plate on the module in reverse mode, as shown in [Figure 3-64](#).

Figure 3-64 Securing the attachment plate on the module in reverse mode

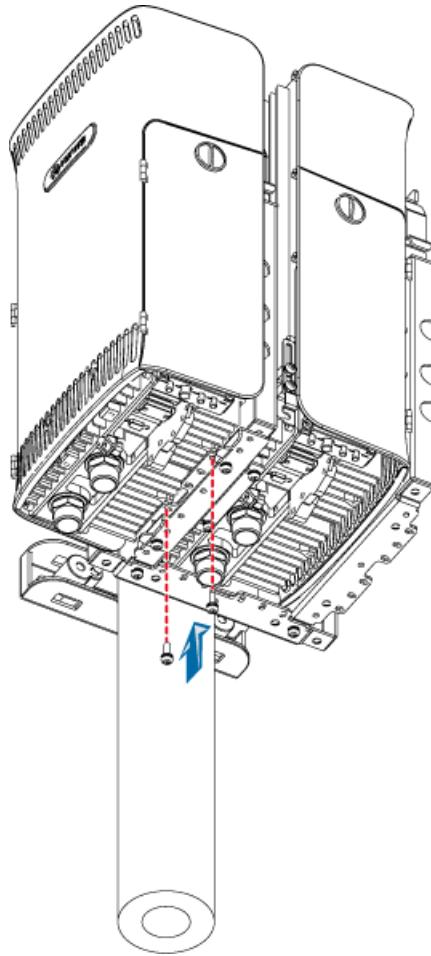


Step 7 Fit the tabs on the attachment plate of the module in reverse mode into the anchor slots in the front of the left mounting plate, as shown in [Figure 3-65](#).

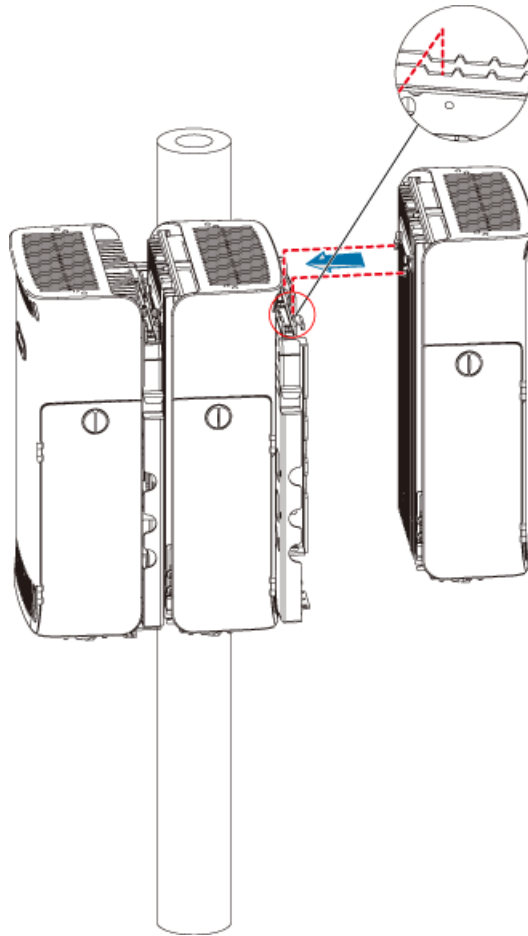
Figure 3-65 Installing the second module

Step 8 Lead two screws M6 x 20 through the holes in the bottom of the module. Then, secure the module on the mounting plate, as shown in [Figure 3-66](#).

Figure 3-66 Securing the second module

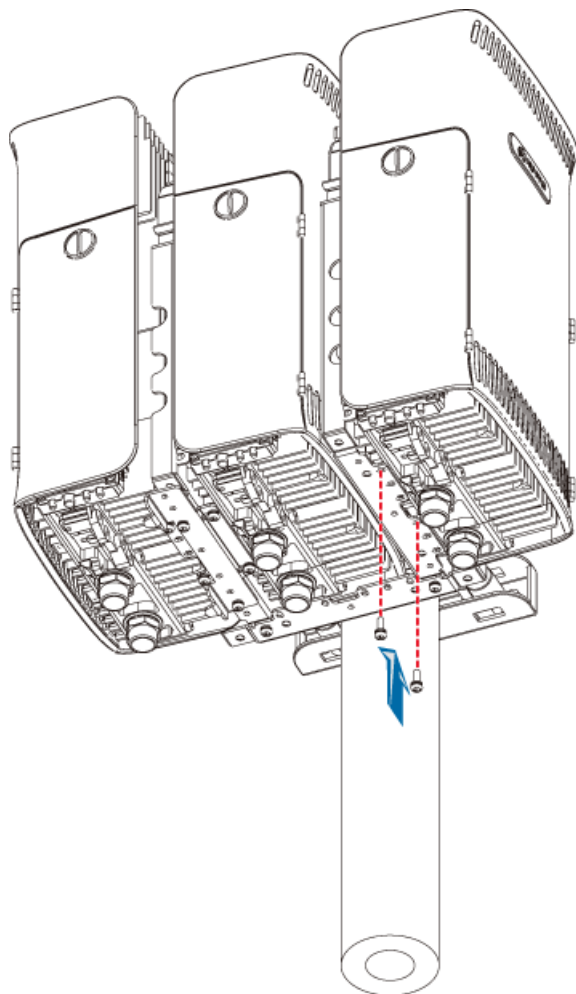


- Step 9** Use two screws M6 x 20 to secure the attachment plate on the third module, as shown in [Figure 3-59](#).
- Step 10** Fit the tabs on the attachment plate of the module in ordinary mode into the anchor slots in the back of the right mounting plate, as shown in [Figure 3-67](#).

Figure 3-67 Installing the third module

Step 11 Lead two screws M6 x 20 through the holes in the bottom of the module. Then, secure the module on the mounting plate, as shown in [Figure 3-68](#).

Figure 3-68 Securing the third module



---End

3.5 Installing the RRU3804 on the Tower

Before installing the RRU3804 on the tower, you need to assemble the parts and then lift them up to the tower.

1. [3.5.1 Assembling the Parts of the RRU3804](#)
This describes how to assemble the parts of the RRU3804 before they are lifted up to the tower.
2. [3.5.2 Lifting the Assembled RRU3804](#)
This describes how to lift the RRU3804 up to the tower after the parts are assembled. The parts include the mounting plate, RRU3804 module, pole fixture, and plastic housing.
3. [3.5.3 Installing the Assembled RRU3804 on the Tower](#)
This describes how to install the assembled RRU3804 on the metal pole after all parts are lifted up to the tower.

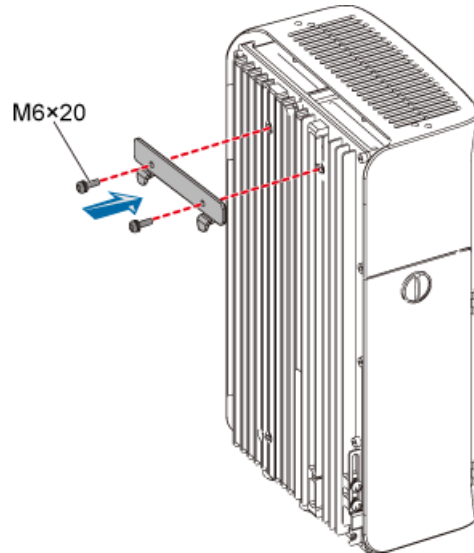
3.5.1 Assembling the Parts of the RRU3804

This describes how to assemble the parts of the RRU3804 before they are lifted up to the tower.

Procedure

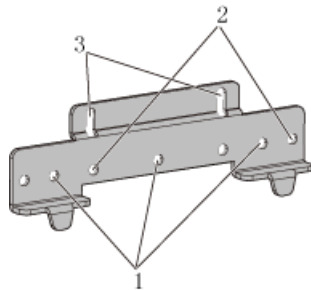
- Step 1** Use two screws M6 x 20 to secure the attachment plate on the module, as shown in [Figure 3-69](#).

Figure 3-69 Securing the attachment plate



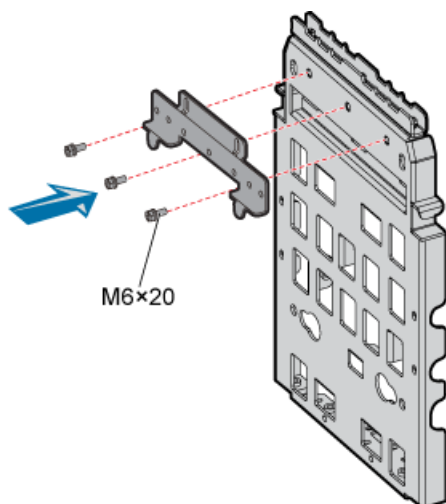
- Step 2** Use the holes numbered 1 in [Figure 3-70](#).

Figure 3-70 Holes in the multi-purpose attachment plate



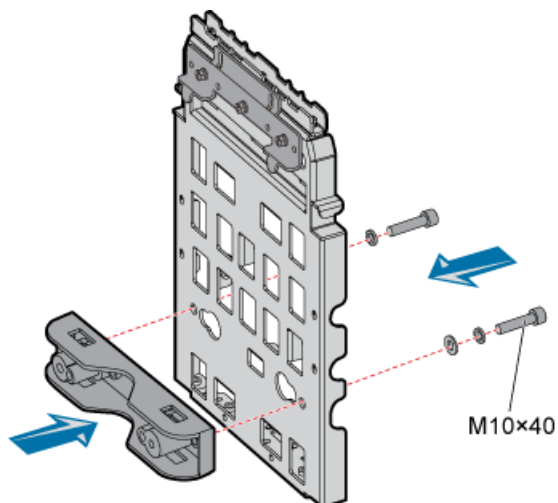
- Step 3** Use three screws M6 x 20 to secure the multi-purpose attachment plate on the mounting plate, as shown in [Figure 3-71](#).

Figure 3-71 Securing the multi-purpose attachment plate

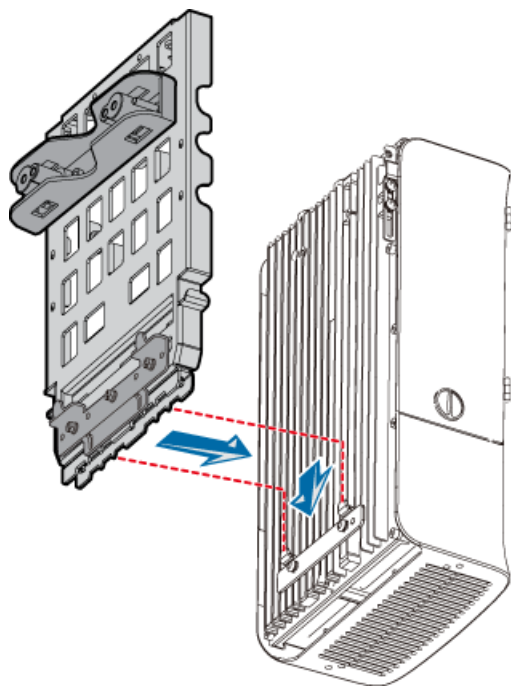


Step 4 Install a pole fixture on the mounting plate at the lower part of its back by fastening two bolts M10 x 40, as shown in [Figure 3-72](#).

Figure 3-72 Installing a pole fixture



Step 5 Align the anchor slots in the mounting plate with the tabs on the attachment plate. Then, assemble the module and mounting plate, as shown in [Figure 3-73](#).

Figure 3-73 Assembling the module and mounting plate**CAUTION**

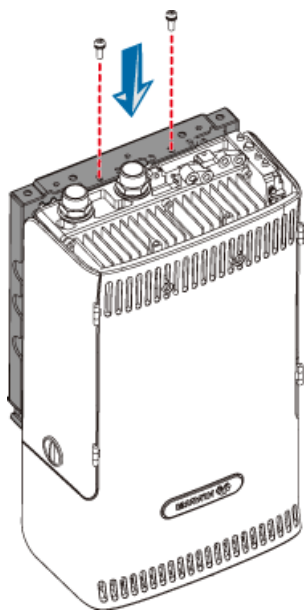
The tabs on the attachment plate must be fitted into the middle pair of anchor slots in the mounting plate.

 **TIP**

When assembling the parts, it is recommended that the module be put up side down. This facilitates the installation of the mounting plate.

Step 6 Lead two screws M6 x 20 through the holes in the bottom of the module. Then, secure the module on the mounting plate, as shown in [Figure 3-74](#).

Figure 3-74 Securing the module and mounting plate



---End

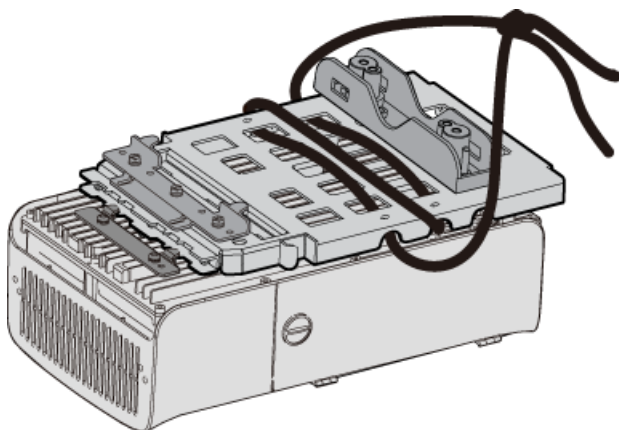
3.5.2 Lifting the Assembled RRU3804

This describes how to lift the RRU3804 up to the tower after the parts are assembled. The parts include the mounting plate, RRU3804 module, pole fixture, and plastic housing.

Procedure

- Step 1** Lead the rope through the holes in the mounting plate and then knot the rope, as shown in [Figure 3-75](#).

Figure 3-75 Assembled RRU3804 tied with the rope



- Step 2** Use the same rope to bind another two pole fixtures and parts like bolts, spring washers, and flat washers.
- Step 3** Lift all the parts up to the tower.

NOTE

It is recommended that another rope be tied to the assembled RRU3804 to prevent the RRU3804 from colliding with the tower.

---End

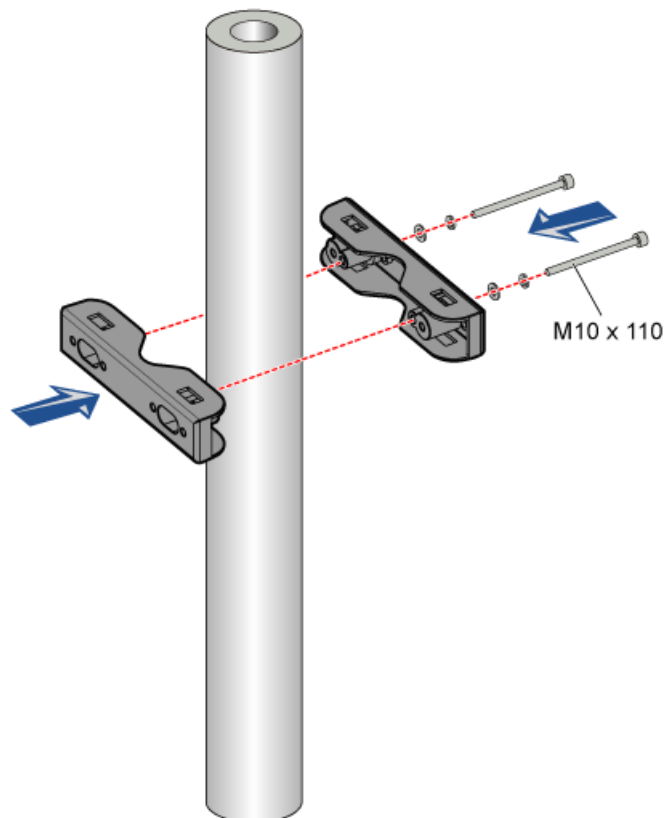
3.5.3 Installing the Assembled RRU3804 on the Tower

This describes how to install the assembled RRU3804 on the metal pole after all parts are lifted up to the tower.

Procedure

- Step 1** Untie the ropes.
- Step 2** Mount the upper fixture assembly on the metal pole. Ensure that the four ends of the fixture assembly are on the same plane, as shown in [Figure 3-76](#).

Figure 3-76 Mounting the upper fixture assembly

**NOTE**

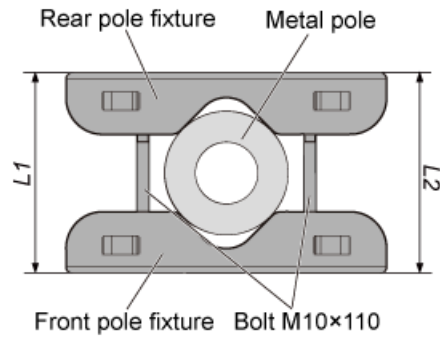
To facilitate maintenance, it is recommended that the RRU3804 be installed with its front or rear side facing the tower.

- Step 3** Use the level bar to check whether the four ends of the fixture assembly are on the same plane. Use the tape measure to check whether the two pole fixtures are parallel.

 **NOTE**

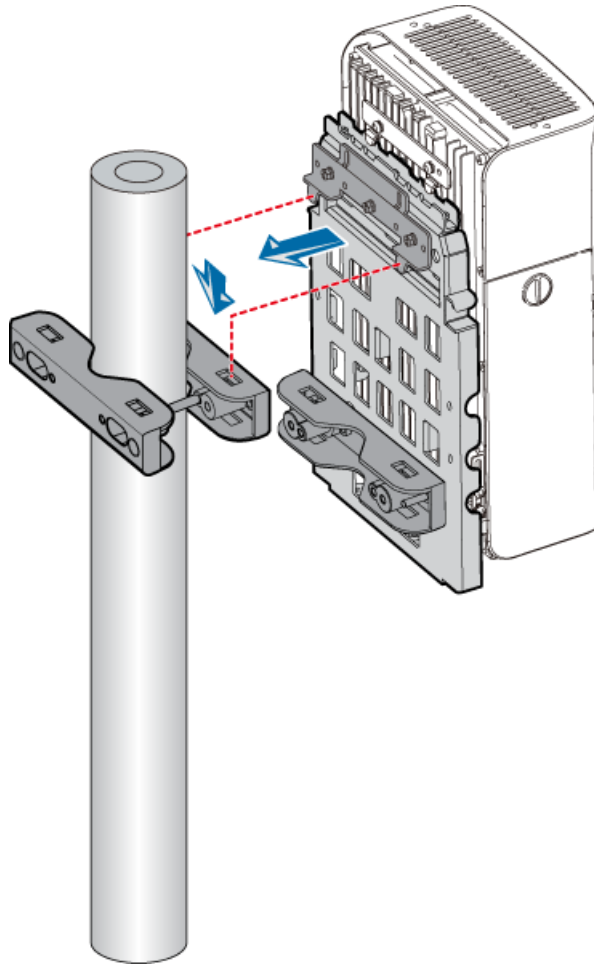
If the difference between L1 and L2, as shown in [Figure 3-77](#), is beyond ± 1 mm, the two pole fixtures are not parallel.

Figure 3-77 Measuring L1 and L2



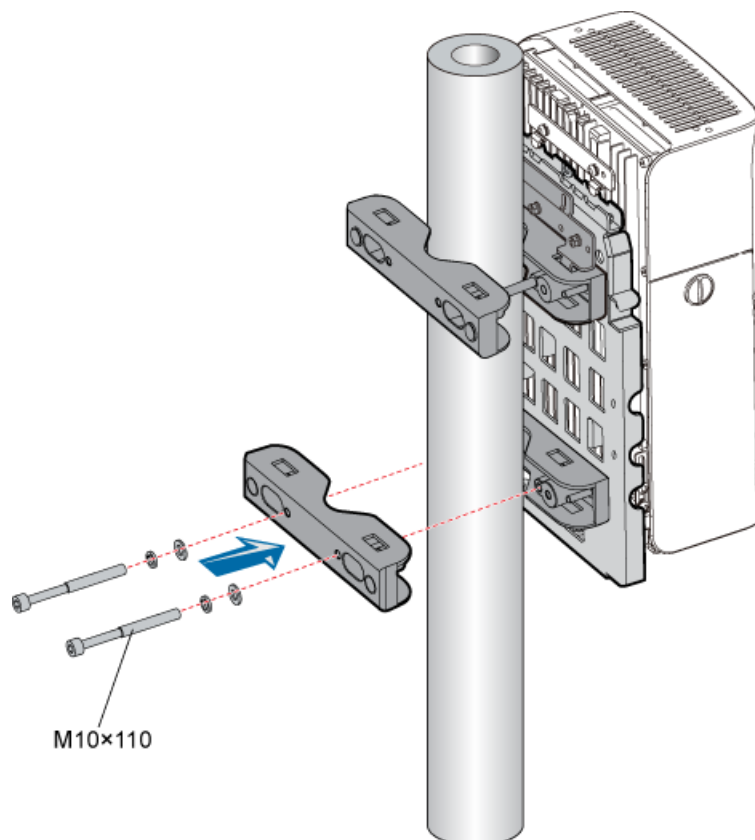
Condition	Action
The pole fixtures are neither horizontal nor parallel.	Go to Step 2 to adjust the fixture assembly.
The pole fixtures are horizontal and parallel.	Go to Step 4 .

Step 4 Install the assembled RRU3804 by fitting the tabs on the mounting plate into the anchor slots in the pole fixture, as shown in [Figure 3-78](#).

Figure 3-78 Installing the assembled RRU3804

Step 5 Use two bolts M10 x 110 to mount the lower fixture assembly on the metal pole, as shown in [Figure 3-79](#).

Figure 3-79 Mounting the lower fixture assembly



---End

3.6 Installing the SRXU

This describes how to install the SRXU on the RRU3804 in one-module, two-module centralized, or three-module centralized installation mode.

3.6.1 Installing the SRXU on a Single RRU3804

This describes how to install the SRXU on a single RRU3804 that is mounted on the metal pole. The procedures for installing the SRXU on the RRU3804 in pole or wall installation mode are the same.

3.6.2 Installing the SRXUs on the Two RRU3804s

This describes how to install the SRXUs on the two RRU3804 that are mounted on the metal pole. The procedures for installing the SRXUs on the two RRU3804s in pole or wall installation mode are the same.

3.6.3 Installing the SRXUs on the Three RRU3804s

This describes how to install the SRXUs on the three RRU3804 that are mounted on the metal pole. The procedures for installing the SRXUs on the three RRU3804s in pole or wall installation mode are the same.

3.6.1 Installing the SRXU on a Single RRU3804

This describes how to install the SRXU on a single RRU3804 that is mounted on the metal pole. The procedures for installing the SRXU on the RRU3804 in pole or wall installation mode are the same.

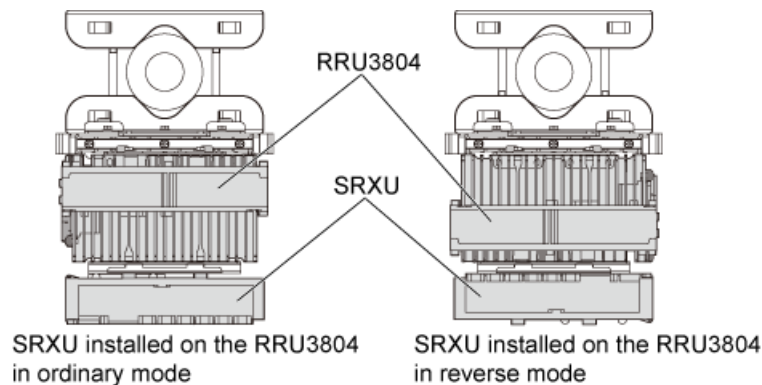
Prerequisite

The RRU3804 is installed.

Context

The SRXU can be installed on the RRU3804 that is in either ordinary or reverse mode. [Figure 3-80](#) shows the SRXU installed on the single RRU3804.

Figure 3-80 SRXU installed on the single RRU3804



NOTE

- Determine the position of the SRXU based on the installation of the RRU3804. If the RRU3804 is installed in ordinary mode, install the SRXU on the front side of the RRU3804. If the RRU3804 is installed in reverse mode, install the SRXU on the rear side of the RRU3804.
- The procedures for installing the SRXU on the RRU3804 in ordinary and reverse modes are the same. The following description takes installing the SRXU on the RRU3804 in ordinary mode as an example.

Procedure

Step 1 Remove the plastic housing of the RRU3804, as shown in [Figure 3-81](#).