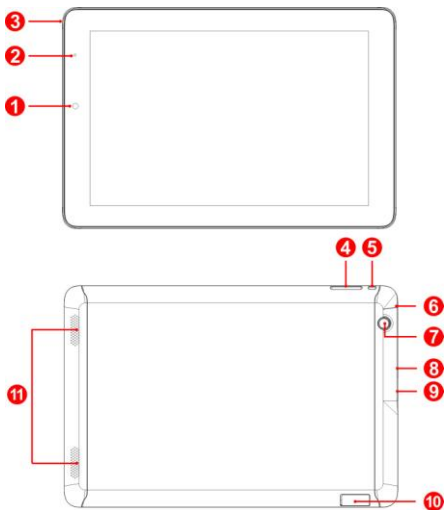




T-101

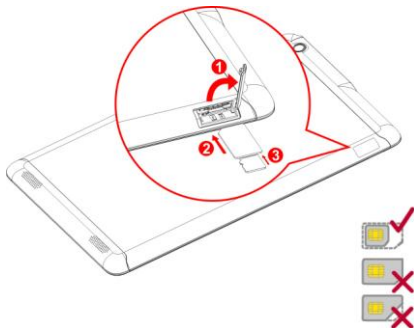
Quick Start

1 T-101 at a glance



- | | | | |
|----|-----------------|----|---|
| 1 | Front camera | 2 | LED indicator |
| 3 | Microphone | 4 | Volume keys |
| 5 | Power key | 6 | Headphone jack |
| 7 | Rear camera | 8 | Micro-USB port (with the charging function) |
| 9 | Micro-HDMI port | 10 | Card slot |
| 11 | Speaker | | |

2 Installing the Micro-SIM and micro-SD Cards



1. Open the Micro-SIM and microSD card slot cover.
2. Insert the Micro-SIM card into upper slot with its gold contacts facing down, as indicated in the preceding figure. Push the card inward until it clicks into place.



T-101 is only compatible with standard Micro-SIM cards, whose dimensions are 0.76 mm x 12 mm x 15 mm. Inserting a SIM card with other dimensions will damage your T-101.

3. Insert the microSD card into lower slot with its gold contacts facing up, as indicated in the preceding figure. Push the card inward until it clicks into place.
4. Replace the card slot cover.



Do not remove the card slot cover from the tablet.

3 Powering On or Off

Powering On

Press and hold the power key until T-101's screen is on.



If T-101 has not been used for a long time or the battery level is low, you may not be able to power it on immediately after you start charging the battery. Allow the battery to charge for a few minutes before attempting to use it.


Powering Off

Press and hold the power key until a dialog box is displayed. Then follow the onscreen instructions to power off T-101.

4 Locking the Screen

- ✓ When your T-101 is turned on, press the Power button to lock the screen.
- ✓ If your T-101 is idle for a preset period of time, the screen will lock automatically.

5 Unlocking the Screen

1. Press the Power button to wake up the screen.
2. Drag the lock icon to the  icon on the right.

6 Gestures

The following simple finger gestures make it easy to use your T-101.



Touch: Touch an item to select or open it.



Double-click: Touch the screen twice consecutively to zoom in.



Touch and hold: Touch and hold the screen to display an options menu.



Flick: Flick up or down to scroll up or down. Flick left or right to switch between screens.



Drag: Touch and hold an item to drag it to another position.



Pinch: Pinch two fingers together or apart to zoom in or out. You can use this gesture when browsing photos and web pages.



7 Warnings and Precautions

To use the device properly and safely, read these warnings and precautions carefully and strictly observe them during operation. Unless otherwise specified, the term "device" refers to the device and its accessories.

Basic Requirements

- ✓ During storage, transportation, and operation of the device, keep it dry and prevent it from colliding with other objects.
- ✓ Do not dismantle the device. In case of any fault, contact an authorized service center for assistance or repair.
- ✓ Without authorization, no organization or individual can change the mechanical, safety, or performance design of the device.
- ✓ When using the device, observe all applicable laws and regulations and respect the legal rights of other people.

Environmental Requirements for Using the Device

- ✓ Keep the device far from sources of heat and fire, such as a heater or a candle.
- ✓ Keep the device far from electronic appliances that generate strong magnetic or electric fields, such as a microwave oven or a refrigerator.
- ✓ Place the device on a stable surface.
- ✓ Place the device in a cool and well-ventilated indoor area. Do not expose the device to direct sunlight.
- ✓ Keep the ambient temperature between 0°C and 35°C while the device is being charged. Keep the ambient temperature between 0°C to 35°C for using the device powered by a battery.
- ✓ Do not place any object (such as a candle or a water container) on the device. If any foreign object or liquid enters the device, stop using the device immediately, power it off, remove all the cables connected to it, and then contact an authorized service center.
- ✓ During thunderstorms, power off the device, and then remove all the cables connected to it to prevent it from getting damaged due to lightning strikes.

Traffic Security

Observe local laws and regulations while using the device. In addition, if using the device while driving a vehicle, comply with the following guidelines:

- ✔ Concentrate on driving. Your first responsibility is to drive safely.
- ✔ RF signals may affect electronic systems of motor vehicles. For more information, consult the vehicle manufacturer.
- ✔ In a motor vehicle, do not place the device over the air bag or in the air bag deployment area. Otherwise, the device may hurt you owing to the strong force when the air bag inflates.
- ✔ Do not use your device while flying in an aircraft. Power off your device before boarding an aircraft. Using wireless devices in an aircraft may cause danger to the operation of the aircraft and disrupt the wireless telephone network. It may also be considered illegal.

Precautions for Using Wireless Devices

- ✔ The device complies with the RF specifications when the device is used in portable exposure conditions or at a distance of 1.5 cm from your body.
- ✔ Do not use the device where using wireless devices is prohibited or may cause interference or danger.
- ✔ The radio waves generated by the device may interfere with the operation of electronic medical devices. If you are using any electrical medical device, contact its manufacturer for the restrictions on the use of the device.
- ✔ Do not take the device into operating rooms, intensive care units (ICUs), or coronary care units (CCUs).

Areas with Inflammables and Explosives

- ✔ Do not use the device where inflammables or explosives are stored, for example, in a gas station, oil depot, or chemical plant. Otherwise, explosions or fires may occur. In addition, follow the instructions indicated in text or symbols.
- ✔ Do not store or transport the device in the same box as inflammable liquids, gases, or explosives.

Accessory Requirements

- ✓ Use only the accessories supplied or authorized by the device manufacturer. Otherwise, the performance of the device may get affected, the warranty for the device or the laws and regulations related to telecommunications terminals may become null and void, or an injury may occur.
- ✓ Do not use the power adapter if its cable is damaged. Otherwise, electric shocks or fires may occur.
- ✓ Ensure that the power adapter meets the specifications indicated on the device nameplate.
- ✓ Ensure that the power adapter meets the requirements of Clause 2.5 in IEC60950-1/EN60950-1 and it is tested and approved according to national or local standards.
- ✓ For pluggable device, the socket-outlet shall be installed near the device and shall be easily accessible.

Battery and Charger

- ✓ Unplug the charger from the electrical plug and the device when not in use.
- ✓ If the power cable is damaged (for example, the cord is exposed or broken), or the plug loosens, stop using the cable at once. Otherwise, it may lead to an electric shock, a short circuit of the charger, or a fire.
- ✓ Use the AC power supply defined in the specifications of the charger. An improper power voltage may cause a fire or a malfunction of the charger.



CAUTION - RISK OF EXPLOSION IF BATTERY IS REPLACED BY AN INCORRECT TYPE. DISPOSE OF USED BATTERIES ACCORDING TO THE INSTRUCTIONS.

Prevention of Hearing Damage

Using a headset at high volume can damage your hearing. To reduce the risk of damage to hearing, lower the headset volume to a safe and comfortable level.

To prevent possible hearing damage, do not listen at high volume levels for long periods.



Safety of Children

Keep the device and its accessories out of the reach of children. Otherwise, they may damage the device and its accessories by mistake, or they may swallow the small components of the device, causing suffocation or other dangerous situations.

Maintenance

- ✓ If the device is not used for a long time, power it off, and then remove all the cables connected to it.
- ✓ If any exception occurs, for example, if the device emits any smoke or unusual sound or smell, stop using the device immediately, power it off, remove all the cables connected to it, and then contact an authorized service center.
- ✓ If the device screen is broken by colliding with hard objects, do not touch or try to remove the broken part. In this case, stop using the device immediately, and then contact an authorized service center in time.
- ✓ Do not trample, pull, or overbend any cable. Otherwise, the cable may get damaged, causing malfunction of the device.
- ✓ Before cleaning the device, stop using it, power it off, and then remove all the cables connected to it.
- ✓ Use a clean, soft, and dry cloth to clean the device shell. Do not use any cleaning agent or spray to clean the device shell.

8 Personal Information and Data Security

The use of some functions or third-party applications on your device could result in your personal information and data being lost or becoming accessible to others. Several measures are recommended to help you protect personal and confidential information.

- ✓ Place your device in a safe area to prevent it from unauthorized use.
- ✓ Set your device screen to lock and create a password or unlock pattern to open it.
- ✓ Periodically back up personal information kept on your memory card, or stored in your device memory. If you change to a different device, be sure to move or delete any personal information on your old device.
- ✓ If you are worried about viruses when you receive messages or emails from a stranger, you can delete them without opening them.
- ✓ If you use your device to browse the Internet, avoid websites that might pose a security risk to avoid theft of your personal information.
- ✓ If you use services such as Wi-Fi or Bluetooth, set passwords for these services to prevent unauthorized access. When these services are not in use, turn them off.
- ✓ Install or upgrade device security software and regularly scan for viruses.
- ✓ Be sure to obtain third-party applications from a legitimate source. Downloaded third-party applications should be scanned for viruses.
- ✓ Install security software or patches released by ###BRAND### or third-party application providers.
- ✓ Some applications require and transmit location information. As a result, a third-party may be able to share your location information.

- ✓ Your device may provide detection and diagnostic information to third-party application providers. Third party vendors use this information to improve their products and services.
- ✓ If you have concerns about the security of your personal information and data, please contact ###EMAIL_SUPPORT###.

9 FCC Caution

§ 15.19 Labelling requirements.

This device complies with part 15 of the FCC Rules. Operation is subject to the following two conditions: (1) This device may not cause harmful interference, and (2) this device must accept any interference received, including interference that may cause undesired operation.

§ 15.21 Information to user.

Any Changes or modifications not expressly approved by the party responsible for compliance could void the user's authority to operate the equipment.

§ 15.105 Information to the user.

Note: This equipment has been tested and found to comply with the limits for a Class B digital device, pursuant to part 15 of the FCC Rules. These limits are designed to provide reasonable protection against harmful interference in a residential installation. This equipment generates uses and can radiate radio frequency energy and, if not installed and used in accordance with the instructions, may cause harmful interference to radio communications. However, there is no guarantee that interference will not occur in a particular installation. If this equipment does cause harmful interference to radio or television reception, which can be determined by turning the equipment off and on, the user is encouraged to try to correct the interference by one or more of the following measures:

- Reorient or relocate the receiving antenna.
- Increase the separation between the equipment and receiver.
- Connect the equipment into an outlet on a circuit different from that to which the receiver is connected.
- Consult the dealer or an experienced radio/TV technician for help.

* RF warning for Portable device:

The device has been evaluated to meet general RF exposure requirement. The device can be used in portable exposure condition without restriction.