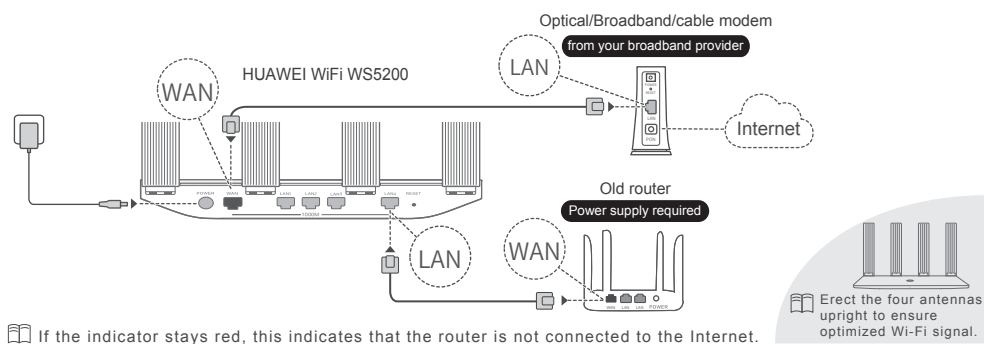


HUAWEI WiFi WS5200 Quick Start Guide

You have forgotten your broadband account or password (obtain from your old router)

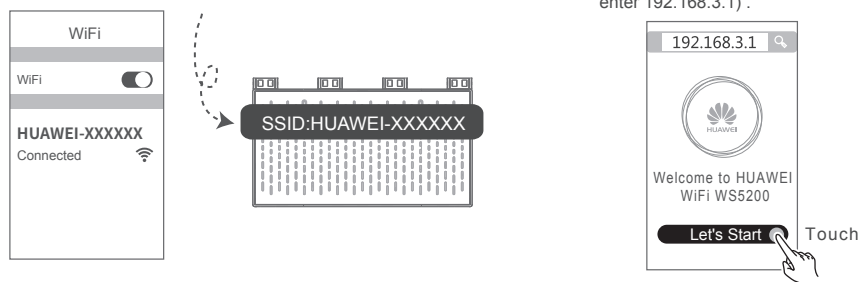
You know your broadband account and password (connect directly)

Step 1: Connecting the cables

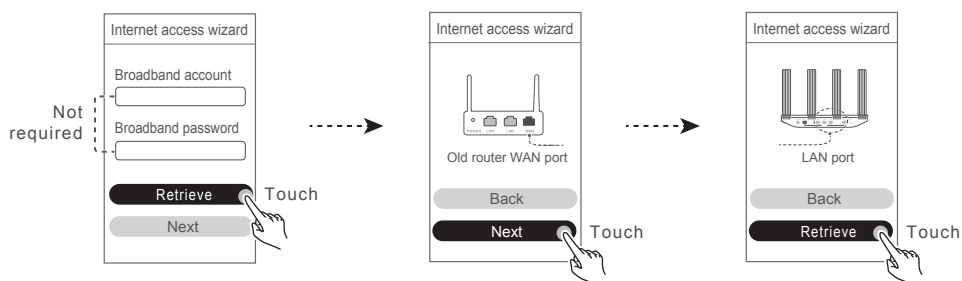


Step 2: Configuring the network settings

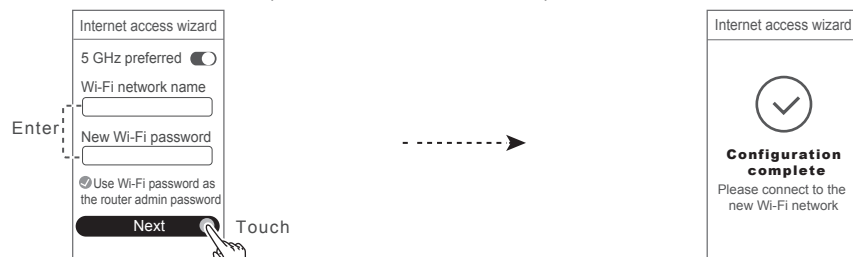
1. Connect your mobile phone or computer to the new router's Wi-Fi network (No password). Check for the Wi-Fi name on the bottom of the router.
2. Open the browser, you will be automatically redirected. (If the page is not displayed automatically, enter 192.168.3.1).



3. Obtain the broadband account and password from the old router. If your broadband provider has not provided you with a broadband account, skip to the next step.

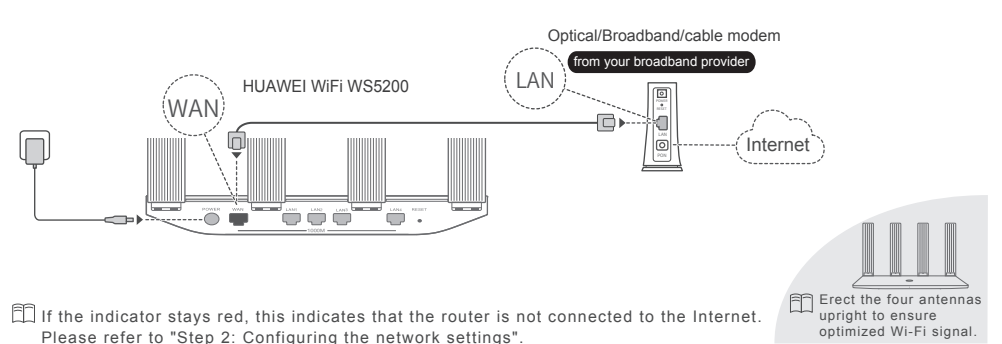


4. Set new Wi-Fi and admin password. You can use the Wi-Fi password as the router admin password.



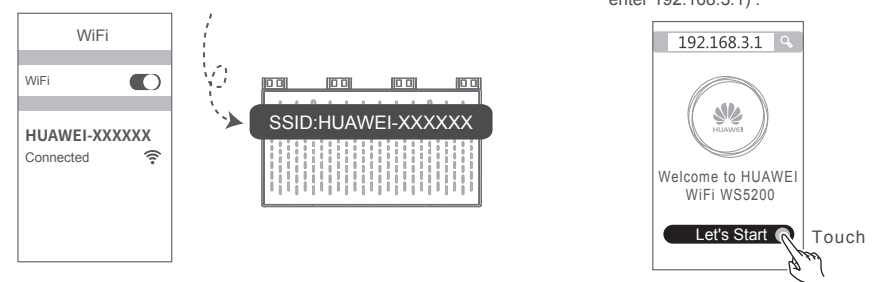
Enable 5 GHz preferred: Priority usage of 5 GHz Wi-Fi band over 2.4 GHz band when signal strength is equal to increase connection speeds.

Step 1: Connecting the cables

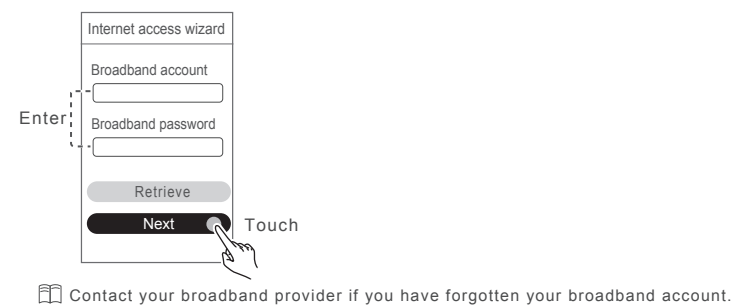


Step 2: Configuring the network settings

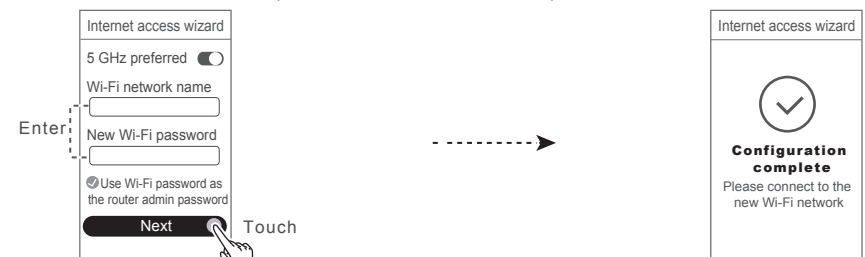
1. Connect your mobile phone or computer to the router's Wi-Fi network (No password). Check for the Wi-Fi name on the bottom of the router.
2. Open the browser, you will be automatically redirected. (If the page is not displayed automatically, enter 192.168.3.1).



3. Enter your broadband account and password. If your broadband provider has not provided you with a broadband account, skip to the next step.



4. Set new Wi-Fi and admin password. You can use the Wi-Fi password as the router admin password.

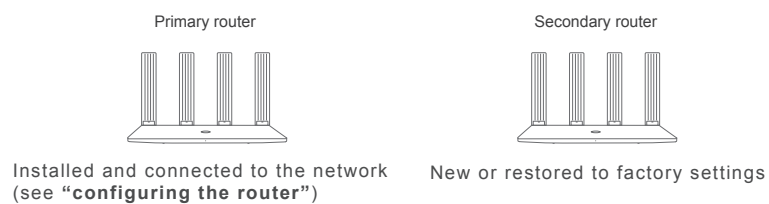


Enable 5 GHz preferred: Priority usage of 5 GHz Wi-Fi band over 2.4 GHz band when signal strength is equal to increase connection speeds.

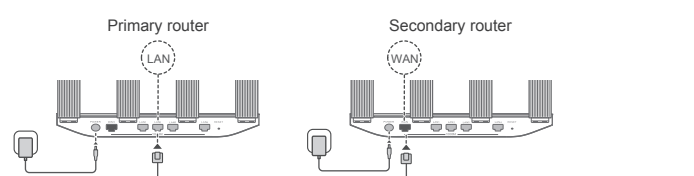
* Extending the Wi-Fi Network with another Huawei Router (Optional)

You may refer to either of the following methods to pair and connect multiple Huawei routers (with the H or Hi button), ensuring that all rooms are covered by Wi-Fi.

Prepare two routers



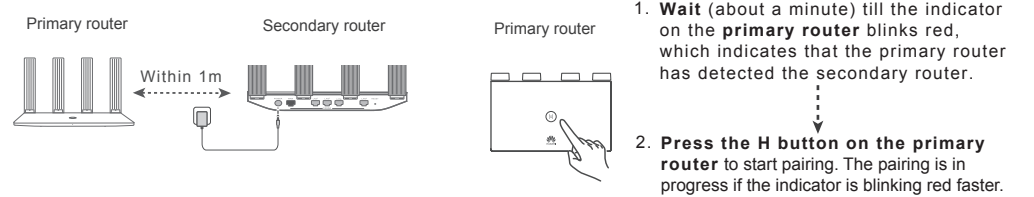
Method 1: Wired networking (recommended)



After the networking is completed automatically, the indicator on the secondary router will turn steady green. Use the same Wi-Fi name and password as that for the primary router to connect to the network.

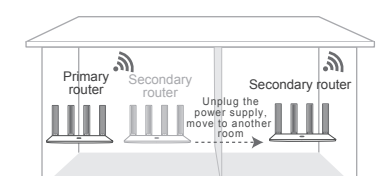
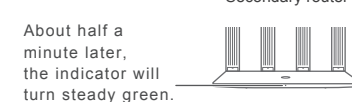
Method 2: Wireless networking

1. Place the secondary router within 1m of the primary router and connect it to the power supply.
2. Press the H button on the primary router to pair with the secondary router.



3. Wait till the indicator on the secondary router turns steady green.
4. Move the secondary router to another room.

The pairing is successful if the indicator on the secondary router turns steady green. You can visit the internet by entering the same Wi-Fi name and password as that for the primary router.



To receive better Wi-Fi connection, only one wall in-between the two routers is recommended.

Manage the router with our mobile app



Scan the QR code, or search "HUAWEI SmartHome" in an app market. You can use HUAWEI SmartHome app to manage users, set timer and guest Wi-Fi, and control your router.

Frequently Asked Questions (FAQ)

Q1: What can I do if I encounter any of the following issues when configuring the router?

- A:**
- If your device did not detect the router's Wi-Fi: Ensure that the router is powered on. Wait for a moment (till the router is started) and try to search again on your device.
 - If you cannot visit the router's configuration page on your device: Ensure that your device is connected to the router's Wi-Fi network, and then enter 192.168.3.1 in the browser to visit this page on your device.
 - If the page displays "**Cable disconnected**": Ensure that the primary router's WAN port is connected to the modem's LAN port, and the modem's LAN port is connected to the network. Check that all joints are securely connected and in good contact, and the network cables are in good condition.
 - If the page displays "**Incorrect Broadband username or password**": Please enter your broadband account and password again. If this still does not work, your broadband provider may have bound the MAC address of your old router, causing your new router to be unable to connect. To fix this issue, select **Retrieve** and follow the onscreen prompts. Alternatively, contact your broadband provider for assistance.
 - If the page displays "**Failed to retrieve account username and password from old router**": Ensure that the router is connected to a power source, and that the old router's WAN port is already connected to the new router's LAN port. Restart your old router and then touch **Try again**.

If the issue persists, restore the router to the factory settings, and follow the guide to reconnect the cables and configure the router.

Q2: What should I do if I forget my login password for the HUAWEI SmartHome app or the router's web-based management page?

- A:**
- Try using the router's Wi-Fi password to login. If the issue persists, restore the router to the factory settings by pressing and holding the Reset button for at least 2 seconds till the indicator turns off. (Note: All settings will be cleared if the router is restored to factory settings. You will need to re-configure the router.)

Q3: Does the HUAWEI WiFi WS5200 support 5 GHz Wi-Fi? How do I connect to the router's 5 GHz Wi-Fi?

- A:**
1. Yes. 5 GHz Wi-Fi is supported. 5 GHz Wi-Fi is faster and less sensitive to interference. However, its ability to penetrate walls is inferior to 2.4 GHz Wi-Fi, and only phones and computers that support 5 GHz Wi-Fi can use it.
 2. By default, the 2.4 GHz and 5 GHz Wi-Fi networks have the same name and you will be automatically connected to the faster network. If you want to connect to the 5 GHz Wi-Fi network by default, disable the "5 GHz preferred" feature by performing the following steps: 1) Connect your phone to the router's Wi-Fi network. 2) Enter 192.168.3.1 in your browser address bar and follow the onscreen instructions to log in. 3) Select **My Wi-Fi** and disable **5 GHz preferred**. You will now be able to find two Wi-Fi network names. Connect to the Wi-Fi network with "_5G" at the end of its name.

Q4: What do the different indicator light types mean?

A:	<ul style="list-style-type: none">• Steady green: Connected to the network• Steady red: Not connected to the network<ol style="list-style-type: none">1) Loose cable or connect error. Check the cable.2) Broadband network error. Contact your broadband provider.	<ul style="list-style-type: none">• Blinking red: The H button has been touched by accident or it has detected a pairable device.<ol style="list-style-type: none">1) If you touched the H button by accident, wait for 2 minutes till the indicator returns to normal.2) The indicator will blink red if it detects any pairable Huawei routers (with the H or Hi button). Press the H button on HUAWEI WiFi WS5200 once. The indicator will blink faster until the pairable device is connected to HUAWEI WiFi WS5200's Wi-Fi. Then the indicator will return to steady green.
-----------	---	---

EU regulatory conformance

Statement

Hereby, Huawei Technologies Co., Ltd. declares that this device is in compliance with the essential requirements and other relevant provisions of Directive 2014/53/EU.

The most recent, effective version of the DoC can be viewed at <http://consumer.huawei.com/certification>.

This device may be operated in all member states of the EU.

Observe national and local regulations where the device is used.

This device may be restricted for use, depending on the local network.

Restrictions in the 2.4 GHz band:

Norway: This subsection does not apply for the geographical area within a radius of 20 km from the centre of Ny-Ålesund.

Restrictions in the 5 GHz band:

According to Article 10 (10) of Directive 2014/53/EU, the packaging shows that this radio equipment will be subject to some restrictions when placed on the market in Belgium (BE), Bulgaria (BG), the Czech Republic (CZ), Denmark (DK), Germany (DE), Estonia (EE), Ireland (IE), Greece (EL), Spain (ES), France (FR), Croatia (HR), Italy (IT), Cyprus (CY), Latvia (LV), Lithuania (LT), Luxembourg (LU), Hungary (HU), Malta (MT), Netherlands (NL), Austria (AT), Poland (PL), Portugal (PT), Romania (RO), Slovenia (SI), Slovakia (SK), Finland (FI), Sweden (SE), the United Kingdom (UK), Turkey (TR), Norway (NO), Switzerland (CH), Iceland (IS), and Liechtenstein (LI). The WLAN function for this device is restricted to indoor use only when operating in the 5150 to 5350 MHz frequency range.

ErP Product Information

Huawei Technologies Co., Ltd. hereby declares that its products conform to the Energy-related Products Directive (ErP) 2009/125/EC.

For detailed ErP information and the user manuals required by Commission Regulation (EU) No 801/2013, please visit: <http://consumer.huawei.com/en/certification>.

Frequency bands and power

(a) Frequency bands in which the radio equipment operates: Some bands may not be available in all countries or all areas. Please contact the local carrier for more details.

(b) Maximum radio-frequency power transmitted in the frequency bands in which the radio equipment operates: The maximum power for all bands is less than the highest limit value specified in the related Harmonized Standard.

The frequency bands and transmitting power (radiated and/or conducted) nominal limits applicable to this radio equipment are as follows: Wi-Fi 2.4G: 20 dBm, Wi-Fi 5G: 5150-5350 MHz: 23 dBm, 5470-5725 MHz: 30 dBm.

Accessories and Software Information

It is recommended that the following accessories should be used:

Adapters: HW-120100X01 (X represents the different plug types used, which can be either A, B, C, E, I, J, K, R, U or Z, depending on your region).

The product software version is x.x.xx. Software updates will be released by the manufacturer to fix bugs or enhance functions after the product has been released. All software versions released by the manufacturer have been verified and are still compliant with the related rules.

All RF parameters (for example, frequency range and output power) are not accessible to the user, and cannot be changed by the user.

For the most recent information about accessories and software, please see the DoC (Declaration of Confirmation) at <http://consumer.huawei.com/certification>.

FCC Regulatory Compliance

FCC statement

This equipment has been tested and found to comply with the limits for a Class B digital device, pursuant to Part 15 of the FCC Rules. These limits are designed to provide reasonable protection against harmful interference in a residential installation. This equipment generates, uses and can radiate radio frequency energy and, if not installed and used in accordance with the instructions, may cause harmful interference to radio communications. However, there is no guarantee that interference will not occur in a particular installation. If this equipment does cause harmful interference to radio or television reception, which can be determined by turning the equipment off and on, the user is encouraged to try to correct the interference by one or more of the following measures:

--Reorient or relocate the receiving antenna.

--Increase the separation between the equipment and receiver.

--Connect the equipment into an outlet on a circuit different from that to which the receiver is connected.

--Consult the dealer or an experienced radio/TV technician for help.

This device complies with Part 15 of the FCC Rules. Operation is subject to the following two conditions: (1) this device may not cause harmful interference, and (2) this device must accept any interference received, including interference that may cause undesired operation.

Caution: Any changes or modifications to this device not expressly approved by Huawei Technologies Co., Ltd. for compliance could void the user's authority to operate the equipment.

Restrictions in the 5 GHz band:

Within the 5.15 to 5.25 GHz band, UNII devices will be restricted to indoor operations to reduce any potential for harmful interference to co-channel Mobile Satellite System (MSS) operations.

Legal Notice

Copyright © Huawei Technologies Co., Ltd. 2018. All rights reserved.

No part of this manual may be reproduced or transmitted in any form or by any means without prior written consent of Huawei Technologies Co., Ltd. and its affiliates ("Huawei").

The product described in this manual may include copyrighted software of Huawei and possible licensors. Customers shall not in any manner reproduce, distribute, modify, decompile, disassemble, decrypt, extract, reverse engineer, lease, assign, or sublicense the said software, unless such restrictions are prohibited by applicable laws or such actions are approved by respective copyright holders.

Trademarks and Permissions



HUAWEI, HUAWEI, and are trademarks or registered trademarks of Huawei Technologies Co., Ltd.

Wi-Fi®, the Wi-Fi CERTIFIED logo, and the Wi-Fi logo are trademarks of Wi-Fi Alliance.

Other trademarks, product, service and company names mentioned may be the property of their respective owners.

Notice

Some features of the product and its accessories described herein rely on the software installed, capacities and settings of local network, and therefore may not be activated or may be limited by local network operators or network service providers.

Thus, the descriptions herein may not exactly match the product or its accessories which you purchase.

Huawei reserves the right to change or modify any information or specifications contained in this manual without prior notice and without any liability.

DISCLAIMER

ALL CONTENTS OF THIS MANUAL ARE PROVIDED "AS IS". EXCEPT AS REQUIRED BY APPLICABLE LAWS, NO WARRANTIES OF ANY KIND, EITHER EXPRESS OR IMPLIED, INCLUDING BUT NOT LIMITED TO, THE IMPLIED WARRANTIES OF MERCHANTABILITY AND FITNESS FOR A PARTICULAR PURPOSE, ARE MADE IN RELATION TO THE ACCURACY, RELIABILITY OR CONTENTS OF THIS MANUAL. TO THE MAXIMUM EXTENT PERMITTED BY APPLICABLE LAW, IN NO EVENT SHALL HUAWEI BE LIABLE FOR ANY SPECIAL, INCIDENTAL, INDIRECT, OR CONSEQUENTIAL DAMAGES, OR LOSS OF PROFITS, BUSINESS, REVENUE, DATA, GOODWILL SAVINGS OR ANTICIPATED SAVINGS REGARDLESS OF WHETHER SUCH LOSSES ARE FORSEEABLE OR NOT. THE MAXIMUM LIABILITY (THIS LIMITATION SHALL NOT APPLY TO LIABILITY FOR PERSONAL INJURY TO THE EXTENT APPLICABLE LAW PROHIBITS SUCH A LIMITATION) OF HUAWEI ARISING FROM THE USE OF THE PRODUCT DESCRIBED IN THIS MANUAL SHALL BE LIMITED TO THE AMOUNT PAID BY CUSTOMERS FOR THE PURCHASE OF THIS PRODUCT.

Import and Export Regulations

Customers shall comply with all applicable export or import laws and regulations and be responsible to obtain all necessary governmental permits and licenses in order to export, re-export or import the product mentioned in this manual including the software and technical data therein.

Privacy Policy

To better understand how we use and protect your personal information, please see the privacy policy at <http://consumer.huawei.com/privacy-policy>.

End User License Agreement

Please read and agree to the End User License Agreement (HUAWEI EULA) on the product's management page before using the product.

Please visit <http://consumer.huawei.com/en/support/hotline> for recently updated hotline and email address in your country or region.

Safety Information

Safety Information

This section contains important information about the operation of your device. It also contains information about how to use the device safely. Read this information carefully before using your device.

Electronic device

Do not use your device if using the device is prohibited. Do not use the device if doing so causes danger or interference with other electronic devices.

Interference with medical equipment

- Follow rules and regulations set forth by hospitals and health care facilities. Do not use your device where prohibited.
- Some wireless devices may affect the performance of hearing aids or pacemakers. Consult your service provider for more information.
- Pacemaker manufacturers recommend that a minimum distance of 15 cm be maintained between a device and a pacemaker to prevent potential interference with the pacemaker. If using a pacemaker, hold the device on the side opposite the pacemaker and do not carry the device in your front pocket.

Areas with flammables and explosives

- Do not use the device where flammables or explosives are stored (in a gas station, oil depot, or chemical plant, for example).
- Using your device in these environments increases the risk of explosion or fire. In addition, follow the instructions indicated in text or symbols.
- Do not store or transport the device in containers with flammable liquids, gases, or explosives.

Operating environment

- Avoid dusty, damp, or dirty environments. Avoid magnetic fields. Using the device in these environments may result in circuit malfunctions.
- Before connecting and disconnecting cables, stop using the device and disconnect it from the power supply. Ensure that your hands are dry during operation.
- Place the device on a stable surface.
- Keep the device away from electronic appliances that generate strong magnetic or electric fields, such as a microwave oven or refrigerator.
- During thunderstorms, power off your device and remove all cables connected to it to protect against lightning strikes.
- Do not use your device during thunderstorms to protect your device against any danger caused by lightning.
- Ideal operating temperatures are 0°C to 40°C. Ideal storage temperatures are -40°C to +70°C. Extreme heat or cold may damage your device or accessories.
- Keep the device and accessories in a well-ventilated and cool area away from direct sunlight. Do not enclose or cover your device with towels or other objects. Do not place the device in a container with poor heat dissipation, such as a box or bag.
- To protect your device or accessories from fire or electrical shock hazards, avoid rain and moisture.
- Keep the device away from sources of heat and fire, such as a heater, microwave oven, stove, water heater, radiator, or candle.
- Do not place any object, such as a candle or a water container, on the device. If any foreign object or liquid enters the device, immediately stop using it, power it off, and remove all cables connected to it. Then, contact an authorized service center.
- Do not block device openings. Reserve a minimum of 10 cm around the device to dissipate heat.
- Stop using your device or applications for a while if the device is overheated. If skin is exposed to an overheated device for an extended period, low temperature burn symptoms, such as red spots and darker pigmentation, may occur.
- Do not touch the device's antenna. Otherwise, communication quality may be reduced.
- Do not allow children or pets to bite or suck the device or accessories. Doing so may result in damage or explosion.
- Observe local laws and regulations, and respect the privacy and legal rights of others.
- The device should be installed and operated with a minimum distance of 20 cm between the radiator and your body.
- Keep the device in a place with good reception. The distance between the device and other metal materials (such as metal brackets or metal doors and windows) should be greater than 25 cm and the distance between the device should be greater than 30 cm.

Child's safety

- Comply with all precautions with regard to child's safety. Letting children play with the device or its accessories may be dangerous. The device includes detachable parts that may present a choking hazard. Keep away from children.
- The device and its accessories are not intended for use by children. Children should only use the device with adult supervision.

Accessories

- Using an unapproved or incompatible power adapter, charger or battery may cause fire, explosion or other hazards.
- Choose only accessories approved for use with this model by the device manufacturer. The use of any other types of accessories may void the warranty, may violate local regulations and laws, and may be dangerous. Please contact your retailer for information about the availability of approved accessories in your area.

Power adapter safety

- The power plug is intended to serve as a disconnect device.
- For pluggable devices, the socket-outlet shall be installed near the devices and shall be easily accessible.
- Unplug the power adapter from electrical outlets and the device when not in use.
- Do not drop or cause an impact to the power adapter. If it is damaged, take it to an authorized service center for inspection.
- If the power cable is damaged (for example, the cord is exposed or broken), or the plug loosens, stop using it at once. Continued use may lead to electric shocks, short circuits, or fire.
- Do not touch the power cord with wet hands or pull the power cord to disconnect the power adapter.
- Do not touch the device or the power adapter with wet hands. Doing so may lead to short circuits, malfunctions, or electric shocks.
- If your power adapter has been exposed to water, other liquids, or excessive moisture, take it to an authorized service center for inspection.
- Ensure that the power adapter meets the requirements of Clause 2.5 in IEC60950-1/EN60950-1/UL60950-1 and has been tested and approved according to national or local standards.

Cleaning and maintenance

- During storage, transportation, and operation of the device, keep it dry and protect it from collision.
- Keep the device and accessories dry. Do not attempt to dry it with an external heat source, such as a microwave oven or hair dryer.
- Do not expose your device or accessories to extreme heat or cold. These environments may interfere with proper function and may lead to fire or explosion.
- Avoid collision, which may lead to device malfunctions, overheating, fire, or explosion.
- If the device is not going to be used for an extended period of time, power it off, and remove all cables connected to it.
- If anything unusual occurs (for example, if the device emits smoke or any unusual sound or smell), immediately stop using it, power it off, remove all cables connected to it, and contact an authorized service center.
- Do not trample, pull, or excessively bend any cable. Doing so may damage the cable, causing the device to malfunction.
- Before you clean or maintain the device, stop using it, stop all applications, and disconnect all cables connected to it.
- Do not use any chemical detergent, powder, or other chemical agents (such as alcohol and benzene) to clean the device or accessories. These substances may cause damage to parts or present a fire hazard. Use a clean, soft, and dry cloth to clean the device and accessories.
- Do not place magnetic stripe cards, such as credit cards and phone cards, near the device for extended periods of time. Otherwise the magnetic stripe cards may be damaged.
- Do not dismantle or remanufacture the device and its accessories. This voids the warranty and releases the manufacturer from liability for damage. In case of damage, contact an authorized service center for assistance or repair.

Disposal and recycling information



The crossed-out wheeled-bin symbol on your product, battery, literature or packaging reminds you that all electronic products and batteries must be taken to separate waste collection points at the end of their working lives; they must not be disposed of in the normal waste stream with household garbage. It is the responsibility of the user to dispose of the equipment using a designated collection point or service for separate recycling of waste electrical and electronic equipment (WEEE) and batteries according to local laws.

Proper collection and recycling of your equipment helps ensure electrical and electronic equipment (EEE) waste is recycled in a manner that conserves valuable materials and protects human health and the environment, improper handling, accidental breakage, damage, and/or improper recycling at the end of its life may be harmful for health and environment. For more information about where and how to drop off your EEE waste, please contact your local authorities, retailer or household waste disposal service or visit the website <http://consumer.huawei.com/en/>.

Reduction of hazardous substances

This device and any electrical accessories are compliant with local applicable rules on the restriction of the use of certain hazardous substances in electrical and electronic equipment, such as EU REACH, RoHS and Batteries (where included) regulations, etc. For declarations of conformity about REACH and RoHS, please visit our web site <http://consumer.huawei.com/certification>.