

Thank you for purchasing the B593 modem. This B593 modem brings you a high speed wireless network connection.

This document will help you understand your B593 modem so you can start using it right away. Please read this document carefully before using your B593 modem.

Before You Begin

Check the following items in the product package:

| Item | Quantity |
|--------------------|----------|
| LTE B593 modem | 1 |
| Power adapter | 1 |
| Ethernet cable | 1 |
| Quick Start Guide | 1 |
| Safety Information | 1 |
| Leave Behind Card | 1 |

Note:

If you find anything missing or damaged, contact the supplier.

Getting to Know Your B593 modem

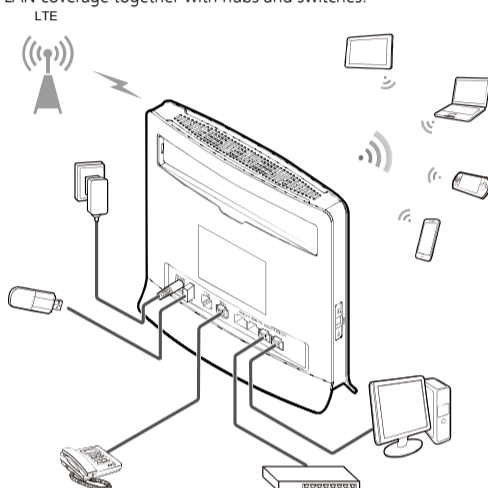
Note:

The B593 modem function descriptions and illustrations in this document are for your reference only. The product you have purchased may vary.

Application Scenario

The B593 modem can:

- Provide Internet access for Wi-Fi devices and computers.
- Connect to telephones for voice services.
- Connect to fax machines for fax services (optional).
- Be used to save and share files in USB storage devices.
- Expand LAN coverage together with hubs and switches.



Note:

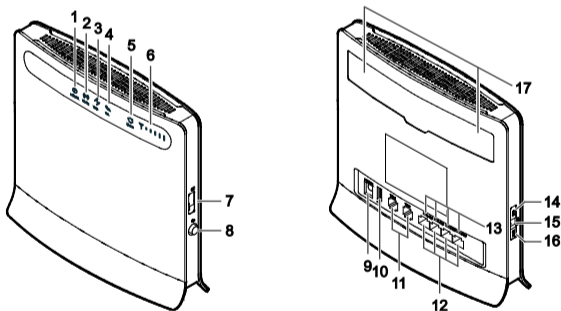
- During thunderstorms and rainy weather, turn off and disconnect the B593 modem.
- When the B593 modem is in use, you can alter its position or orientation to improve signal reception.
- Use a standard or authorized external antenna to avoid B593 modem malfunctions.

Selecting the Installation Environment

Obstacles such as concrete and wooden walls will affect the transmission of the network signal. It is recommended that when you install B593 modem you choose an open space.

Keep the B593 modem away from equipment that generates strong magnetic and electric fields, for instance microwaves, refrigerators, and satellite receivers.

Appearance



① Power indicator

- On: B593 modem turned on
- Off: B593 modem turned off

② WLAN indicator

- On: WLAN function enabled
- Blinking: Transmitting data through WLAN
- Off: WLAN function disabled

③ WPS indicator

- On: WPS function enabled
- Blinking: WPS interconnection verification is in progress. This process should not take longer than 2 minutes.
- Off: WPS function disabled

④ TEL indicator

- Off: On-hook condition
- Blinking: Incoming call
- On: Off-hook condition

⑤ Mode indicator

- Steady blue: The B593 modem is connected to an LTE network, but no data is being transmitted.
- Blinking blue: The B593 modem is connected to an LTE network and is transmitting data.
- Steady red: The B593 modem failed to connect to a wireless network.
- Steady purple: The SIM card is not recognized, the PIN has not been entered, or the PIN verification failed.

⑥ Signal indicator

- On: Indicates network signal strength. Full light indicates strong signal.

Off: No network signal.

⑦ USIM card slot

Accommodate a USIM card.

⑧ Power button

Press this button to power the B593 modem on or off.

⑨ Power port

Connect to the B593 modem's power adapter.

⑩ USB port

Connect to a USB storage device.

Note:

This port cannot be connected to USB host devices such as computers.

⑪ TEL port

Connect to telephones or a fax machine (optional).

Note:

- Only USB storage devices in FAT and FAT32 formats are supported.
- Do not connect a telephone and fax machine to the B593 modem simultaneously.

⑫ LAN port

Connect to computers, switches, or other network devices.

⑬ LAN indicator

- On: The port is connected to a device.
- Blinking: Data is being transmitted through the port.
- Off: No device is connected to the port.

⑭ WPS button

After the WPS function is enabled, press and hold this button for more than 0.5 seconds to initiate WPS interconnection.

⑮ Reset button

Press and hold for more than 2 seconds to restore the B593 modem to its factory settings.

Note:

Restoring the default settings of the B593 modem will override all the previous settings.

⑯ WLAN button

Press and hold for more than 2 seconds to enable or disable the WLAN function.

⑰ External antenna port

Connect to an external antenna.

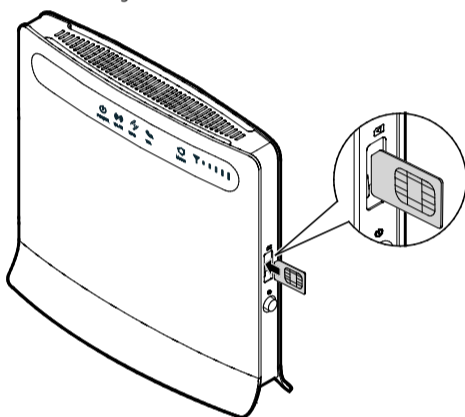
Note:

Do not power off the B593 modem during the upgrade. Otherwise, the B593 modem may be damaged.

Getting Started

Installing the USIM Card

Install the USIM card according to the illustration.

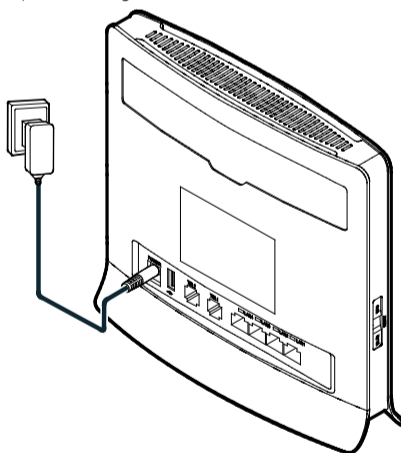


Note:

- When removing the USIM card, gently press the USIM card in, then release. The card will automatically pop out.
- Do not remove the USIM card when it is in use. Doing so will affect the performance of your B593 modem and data stored on the USIM card may be lost.

Connecting to a Power Adapter

Install the power adapter according to the illustration.



Note:

- Only use power adapters compatible with the B593 modem and provided by a designated manufacturer. Use of an incompatible power adapter or one from an unknown manufacturer may cause the B593 modem to malfunction, fail, or could even cause a fire. Such use voids all warranties, whether expressed or implied, on the product.

Logging In to the Web Management Page

The Web-Based Utility of the B593 modem is a web browser-based interface that allows easy view connectivity status and management through Internet browser.

For example, to access the Web-Based Utility of the B593 modem from a PC that runs on Windows XP and uses IE 7.0, do as follows:

1. Connect the hardware of the B593 modem correctly.
2. Set the IP address of the connected computer and ensure that the IP address of the computer is in the same segment as that of the B593 modem.

Note:

By default, the IP address of the B593 modem is 192.168.254.254, the subnet mask is 255.255.255.0. If the B593 modem is working as a router, it is recommended that the IP address and DNS settings be obtained automatically.

3. Run Internet Explorer, enter <http://192.168.254.254> in the address bar and press Enter.