



HUAWEI MU709 Series HSPA+ LGA Module

Hardware Guide

Issue 09

Date 2017-12-15

Copyright © Huawei Technologies Co., Ltd. 2017. All rights reserved.

No part of this manual may be reproduced or transmitted in any form or by any means without prior written consent of Huawei Technologies Co., Ltd. and its affiliates ("Huawei").

The product described in this manual may include copyrighted software of Huawei and possible licensors. Customers shall not in any manner reproduce, distribute, modify, decompile, disassemble, decrypt, extract, reverse engineer, lease, assign, or sublicense the said software, unless such restrictions are prohibited by applicable laws or such actions are approved by respective copyright holders.

Trademarks and Permissions



HUAWEI,

HUAWEI, and



are trademarks or registered trademarks of Huawei Technologies Co., Ltd.

Other trademarks, product, service and company names mentioned may be the property of their respective owners.

Notice

Some features of the product and its accessories described herein rely on the software installed, capacities and settings of local network, and therefore may not be activated or may be limited by local network operators or network service providers.

Thus, the descriptions herein may not exactly match the product or its accessories which you purchase.

Huawei reserves the right to change or modify any information or specifications contained in this manual without prior notice and without any liability.

DISCLAIMER

ALL CONTENTS OF THIS MANUAL ARE PROVIDED "AS IS". EXCEPT AS REQUIRED BY APPLICABLE LAWS, NO WARRANTIES OF ANY KIND, EITHER EXPRESS OR IMPLIED, INCLUDING BUT NOT LIMITED TO, THE IMPLIED WARRANTIES OF MERCHANTABILITY AND FITNESS FOR A PARTICULAR PURPOSE, ARE MADE IN RELATION TO THE ACCURACY, RELIABILITY OR CONTENTS OF THIS MANUAL.

TO THE MAXIMUM EXTENT PERMITTED BY APPLICABLE LAW, IN NO EVENT SHALL HUAWEI BE LIABLE FOR ANY SPECIAL, INCIDENTAL, INDIRECT, OR CONSEQUENTIAL DAMAGES, OR LOSS OF PROFITS, BUSINESS, REVENUE, DATA, GOODWILL SAVINGS OR ANTICIPATED SAVINGS REGARDLESS OF WHETHER SUCH LOSSES ARE FORSEEABLE OR NOT.

THE MAXIMUM LIABILITY (THIS LIMITATION SHALL NOT APPLY TO LIABILITY FOR PERSONAL INJURY TO THE EXTENT APPLICABLE LAW PROHIBITS SUCH A LIMITATION) OF HUAWEI ARISING FROM THE USE OF THE PRODUCT DESCRIBED IN THIS MANUAL SHALL BE LIMITED TO THE AMOUNT PAID BY CUSTOMERS FOR THE PURCHASE OF THIS PRODUCT.

Import and Export Regulations

Customers shall comply with all applicable export or import laws and regulations and be responsible to obtain all necessary governmental permits and licenses in order to export, re-export or import the product mentioned in this manual including the software and technical data therein.

Software Update

By continuing to use this device, you indicate that you have read and agree to the following content:

In order to provide better service, this device will automatically obtain software update information from the Huawei servers after connecting to the Internet. This process will use mobile data, and requires access to your device's unique identifier (IMEI/SN) and the service provider network ID (MCC/MNC) to check whether your device needs to be updated.



About This Document

Revision History

Document Version	Date	Chapter	Descriptions
01	2014-07-16		Creation
02	2014-09-11	All	Deleted the Description of RESIN_N pin.
		3.4.3	Updated Section 3.4.3: Reset the Module.
03	2014-09-18	3.4.3	Updated Section 3.4.3: Reset the Module.
04	2015-02-05	All	Added the Description of MU709s-6 Module.
05	2015-05-20	3.3.2	Updated Section 3.3.2: Power Supply VBAT Interface.
06	2015-11-30	3.2	Updated the description of PS_HOLD signal in Table 3-1.
		3.3.2	Updated Section 3.3.2: Power Supply VBAT Interface.
		3.14	Added the description of PS_HOLD signal in Section 3.14 Test Points Design.
		3.5	Updated Section 3.5: UART Interface
		6.5	Updated Section: 6.5 Packaging
07	2016-09-07	2	Updated Table 2-1 Features
		3.7.1	Updated Table 3-10 USIM card interface signals
		3.7.2	Updated Figure 3-15 Circuit of the USIM card interface
		3.7.2	Updated Figure 3-16 Connections of the USIM_DET pin
		5.6	Updated EMC and ESD Features
		6.4	Updated Dimensions (Unit: mm)



Document Version	Date	Chapter	Descriptions
		6.5	Updated Packaging
		6.6.2	Updated Figure 6-4 LGA module Footprint design (Unit: mm)
		6.8.2	Updated Stencil Design
		6.9.3	Updated Equipment used for rework
08	2017-06-28	8.13.1	Updated section 8.13.1 EU Regulatory Conformance
09	2017-12-15		<ul style="list-style-type: none">Deleted Privacy PolicyAdded Software Update

Scope

MU709s-2

MU709s-6



Contents

1 Introduction.....	8
2 Overall Description	9
2.1 About This Chapter.....	9
2.2 Function Overview.....	9
2.3 Circuit Block Diagram.....	10
2.4 Application Block Diagram	12
3 Description of the Application Interfaces	13
3.1 About This Chapter.....	13
3.2 LGA Interface	13
3.3 Power Interface	23
3.3.1 Overview.....	23
3.3.2 Power Supply VBAT Interface	24
3.3.3 Output Power Supply Interface	25
3.4 Signal Control Interface.....	25
3.4.1 Overview.....	25
3.4.2 Power-on/off Pin	26
3.4.3 RESIN_N	28
3.4.4 WAKEUP_IN Signal.....	29
3.4.5 WAKEUP_OUT Signal.....	30
3.4.6 SLEEP_STATUS Signal	30
3.4.7 LED_MODE Signal.....	31
3.5 UART Interface.....	32
3.5.1 Overview.....	32
3.5.2 Circuit Recommended for the UART Interface.....	33
3.6 USB Interface	34
3.7 USIM Card Interface	35
3.7.1 Overview.....	35
3.7.2 Circuit Recommended for the USIM Card Interface.....	36
3.8 Audio Interface	38
3.9 General Purpose I/O Interface	40
3.10 JTAG Interface	41
3.11 RF Antenna Interface.....	41



3.12 Reserved Interface	44
3.13 NC Interface	44
3.14 Test Points Design.....	45
4 RF Specifications.....	46
4.1 About This Chapter.....	46
4.2 Operating Frequencies.....	46
4.3 Conducted RF Measurement	47
4.3.1 Test Environment.....	47
4.3.2 Test Standards	47
4.4 Conducted Rx Sensitivity and Tx Power	47
4.4.1 Conducted Receive Sensitivity.....	47
4.4.2 Conducted Transmit Power	48
4.5 Antenna Design Requirements	49
4.5.1 Antenna Design Indicators.....	49
4.5.2 Interference	52
4.5.3 Antenna Requirements	52
5 Electrical and Reliability Features	54
5.1 About This Chapter.....	54
5.2 Absolute Ratings	54
5.3 Operating and Storage Temperatures and Humidity.....	54
5.4 Power Supply Features	55
5.4.1 Input Power Supply	55
5.4.2 Power Consumption	56
5.5 Reliability Features.....	60
5.6 EMC and ESD Features.....	63
6 Mechanical Specifications.....	65
6.1 About This Chapter.....	65
6.2 Storage Requirement	65
6.3 Moisture Sensitivity	65
6.4 Dimensions and Interfaces.....	66
6.5 Packaging.....	66
6.6 Customer PCB Design	68
6.6.1 PCB Surface Finish	68
6.6.2 PCB Pad Design.....	69
6.6.3 Solder Mask.....	69
6.6.4 Requirements on PCB Layout.....	69
6.7 Thermal Design Solution.....	70
6.8 Assembly Processes	72
6.8.1 Overview.....	72
6.8.2 Stencil Design.....	72
6.8.3 Reflow Profile	72



6.9 Rework	74
6.9.1 Process of Rework	74
6.9.2 Preparations of Rework	74
6.9.3 Removing of the Module.....	74
6.9.4 Welding Area Treatment	75
6.9.5 Module Installation.....	75
6.9.6 Specifications of Rework	75
7 Certifications.....	77
7.1 About This Chapter.....	77
7.2 Certifications.....	77
8 Safety Information.....	78
8.1 Interference	78
8.2 Medical Device	78
8.3 Area with Inflammables and Explosives.....	78
8.4 Traffic Security.....	79
8.5 Airline Security.....	79
8.6 Safety of Children.....	79
8.7 Environment Protection	79
8.8 WEEE Approval.....	79
8.9 RoHS Approval.....	79
8.10 Laws and Regulations Observance	80
8.11 Care and Maintenance	80
8.12 Emergency Call.....	80
8.13 Regulatory Information.....	80
8.13.1 EU Regulatory Conformance	80
8.13.2 FCC Statement.....	81
9 Appendix A Circuit of Typical Interface.....	82
10 Appendix B Acronyms and Abbreviations.....	83



1 Introduction

This document describes the hardware application interfaces and air interfaces provided by HUAWEI MU709 series (MU709s-2 and MU709s-6) HSPA+ LGA module (hereinafter referred to as the MU709 module).

This document helps hardware engineer to understand the interface specifications, electrical features and related product information of the MU709 module.

2 Overall Description

2.1 About This Chapter

This chapter gives a general description of the MU709 module and provides:

- Function Overview
- Circuit Block Diagram
- Application Block Diagram

2.2 Function Overview

Table 2-1 Features

Feature	Description
Physical Dimensions	<ul style="list-style-type: none">• Dimensions (L × W × H): 30 mm × 30 mm × 2.27 mm• Weight: about 5 g
Operating Bands	MU709s-2: <ul style="list-style-type: none">• WCDMA/HSDPA/HSUPA/HSPA+: Band 1, Band 8• GSM/GPRS/EDGE: 850 MHz/900 MHz/1800 MHz/1900 MHz
	MU709s-6: <ul style="list-style-type: none">• WCDMA/HSDPA/HSUPA/HSPA+: Band 1, Band 2, Band 5• GSM/GPRS/EDGE: 850 MHz/900 MHz/1800 MHz/1900 MHz
Operating Temperature	Normal operating temperature: –20°C to +70°C Extended operating temperature ^[1] : –40°C to +85°C
Storage Temperature	–40°C to +85°C
Humidity	RH5% to RH95%
Power Voltage	DC 3.3 V to 4.2 V (typical value is 3.8 V)

Feature	Description
AT Commands	See the HUAWEI MU709 Series HSPA+ Module AT Command Interface Specification .
Application Interface (145-pin LGA interface)	One standard USIM (Class B and Class C) interface Audio interface: PCM interface USB 2.0 (High Speed) UART interface: <ul style="list-style-type: none"> • 8-wire UART0 x 1, up to 920 kbit/s • 2-wire UART1 x 1 (This is only used for debugging) GPIO LED x 1 Power on/off interface Hardware reset interface JTAG interface SLEEP_STATUS WAKEUP_IN WAKEUP_OUT
Antenna Interface	WWAN MAIN antenna pad x1 WWAN AUX antenna pad x 1
SMS	New message alert Management of SMS: read SMS, write SMS, send SMS, delete SMS and list SMS Supports MO and MT: Point-to-point
Data Services	GPRS: UL 85.6 kbit/s; DL 85.6 kbit/s EDGE: UL 236.8 kbit/s; DL 236.8 kbit/s WCDMA PS: UL 384 kbit/s; DL 384 kbit/s HSPA+: UL 5.76 Mbit/s; DL 21.6 Mbit/s



NOTE

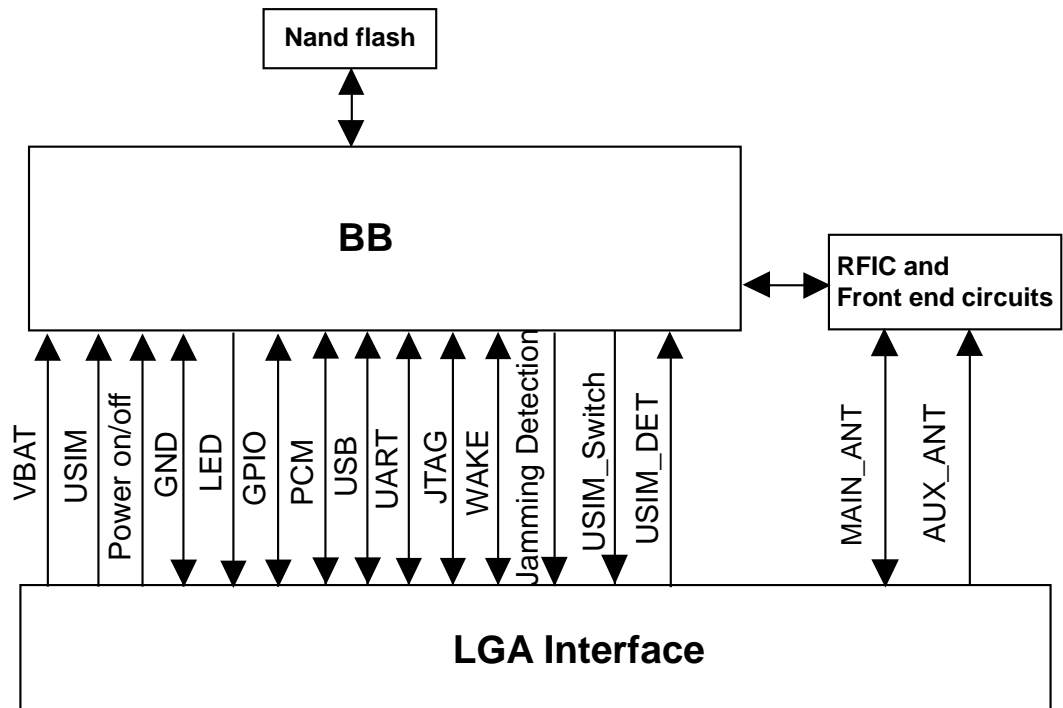
[1]: When the MU709 module work in the range from -40°C to -20°C or $+70^{\circ}\text{C}$ to $+85^{\circ}\text{C}$, **NOT** all their RF performances comply with 3GPP specifications.

2.3 Circuit Block Diagram

Figure 2-1 shows the circuit block diagram of the MU709 module. The major functional units of the MU709 module contain the following parts:

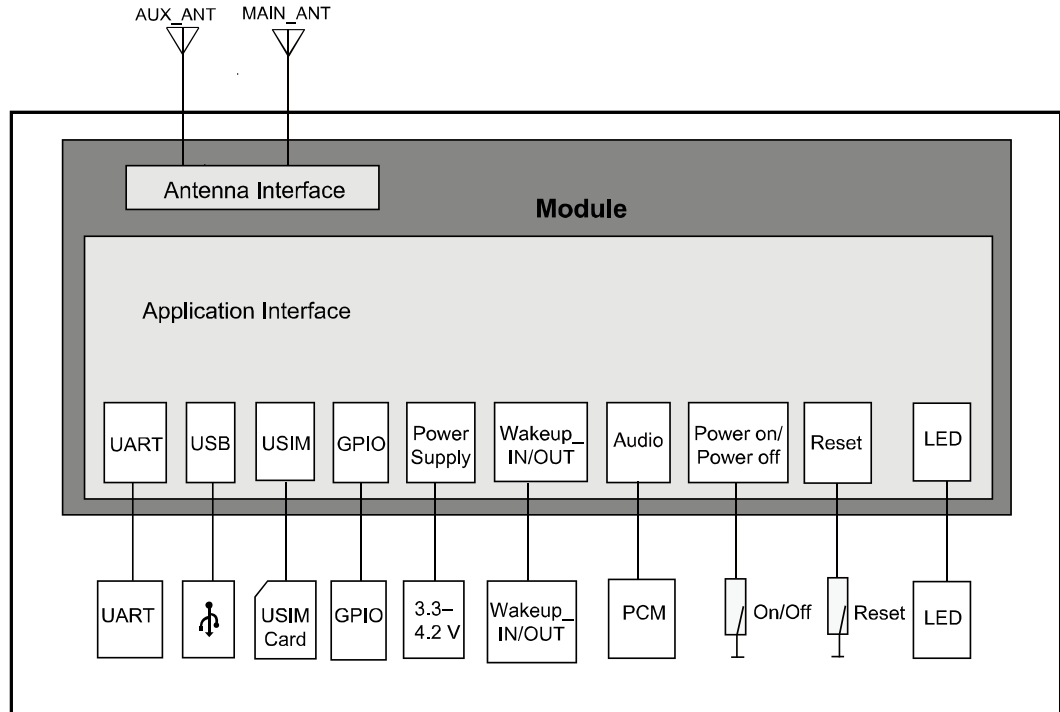
- Power management
- Baseband controller
- Nand flash
- RF Circuit

Figure 2-1 Circuit block diagram of the MU709 module



2.4 Application Block Diagram

Figure 2-2 Application block diagram of the MU709 module



- UART Interface:** The module supports 2 UART interfaces. One is 8-wire UART0, and the other is 2-wire UART1 (only for debugging).
- USB Interface:** The USB interface supports USB 2.0 high speed standard.
- USIM Interface:** The USIM interface provides the interface for a USIM card.
- External Power Supply:** DC 3.8 V is recommended.
- Audio Interface:** The module supports one PCM interface.
- LED:** Indicates the work status.
- RF Pad:** RF antenna interface.

3 Description of the Application Interfaces

3.1 About This Chapter

This chapter mainly describes the external application interfaces of the MU709 module, including:

- LGA Interface
- Power Interface
- Signal Control Interface
- UART Interface
- USB Interface
- USIM Card Interface
- Audio Interface
- General Purpose I/O Interface
- JTAG Interface
- RF Antenna Interface
- Reserved Interface
- NC Interface
- Test Points Design

3.2 LGA Interface

The MU709 module uses the 145-pin LGA as their external interface. For details about the module and dimensions, see 6.4 Dimensions and Interfaces .

Figure 3-1 shows the sequence of pins on the 145-pin signal interface of the MU709 module.

Figure 3-1 Sequence of LGA interface (Top view)

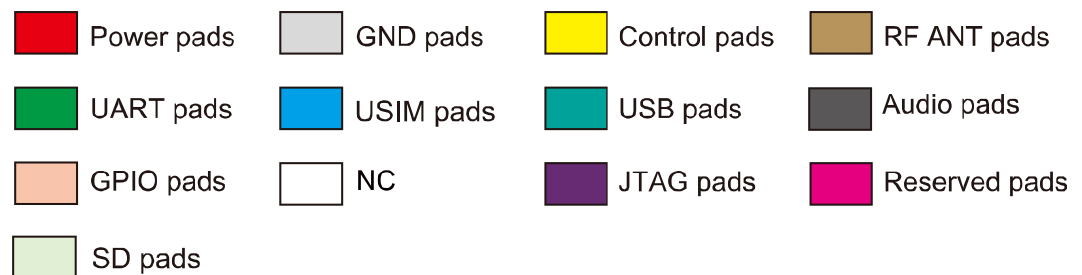
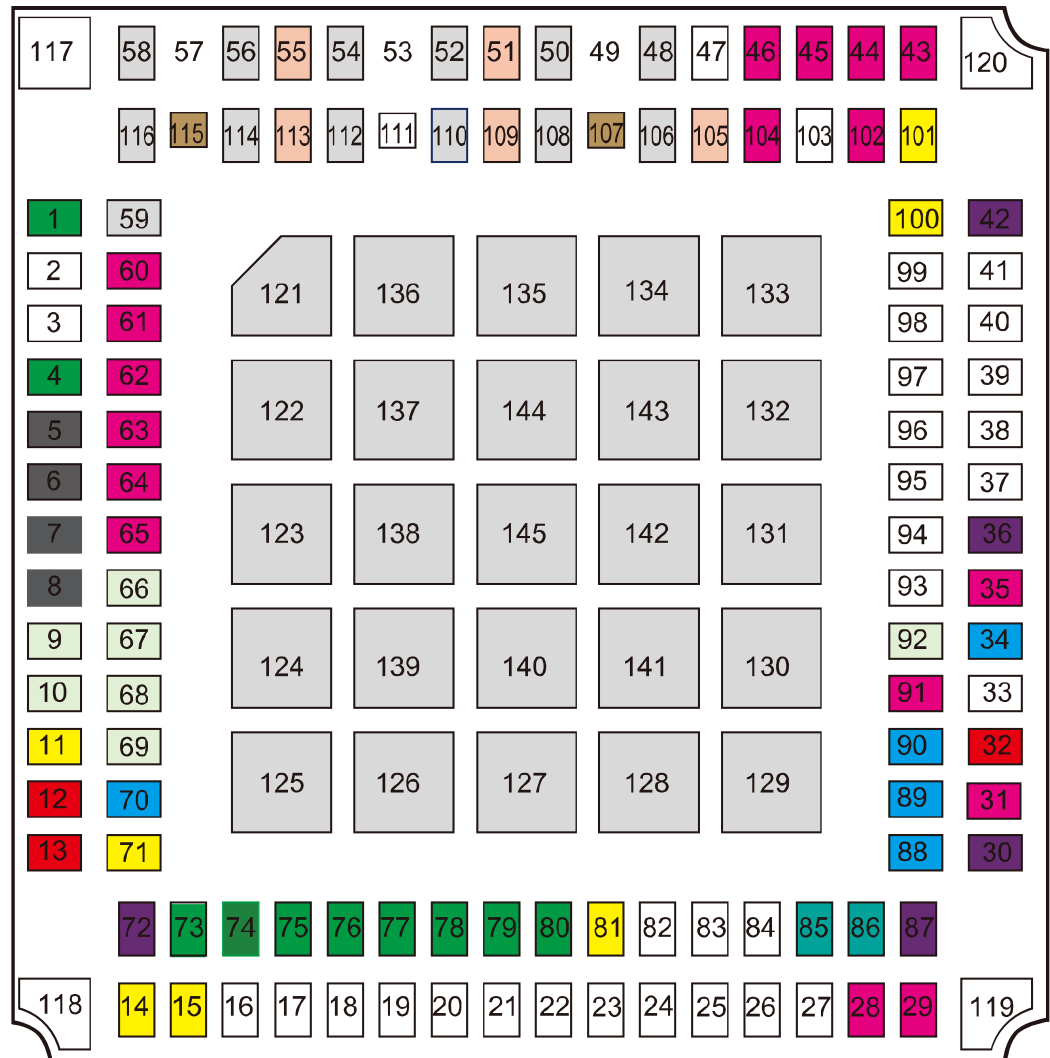


Table 3-1 shows the definitions of pins on the 145-pin signal interface of the MU709 module.

Table 3-1 Definitions of pins on the LGA interface

Pin No.	Pin Name	Pad Type	Description	Parameter	Min. (V)	Typ. (V)	Max. (V)	Comments
1	UART1_TX	O	UART1 transmit output for debugging.	V _{OH}	1.35	1.8	2.1	-
				V _{OL}	0	-	0.45	-
2	NC	-	Not connected	-	-	-	-	-
3	NC	-	Not connected	-	-	-	-	-
4	UART1_RX	I	UART1 receive data input for debugging.	V _{IH}	1.26	1.8	2.1	-
				V _{IL}	-0.3	-	0.63	-
5	PCM_SYNC	O	PCM sync	V _{OH}	1.35	1.8	2.1	The pin is output when the module is used as PCM master; input when the module is used as PCM slave.
				V _{OL}	0	-	0.45	
6	PCM_DIN	I	PCM data in	V _{IH}	1.26	1.8	2.1	-
				V _{IL}	-0.3	-	0.63	
7	PCM_DOUT	O	PCM data out	V _{OH}	1.35	1.8	2.1	-
				V _{OL}	0	-	0.45	
8	PCM_CLK	O	PCM clock	V _{OH}	1.35	1.8	2.1	The pin is output when the module is used as PCM master; input when the module is used as PCM slave.
				V _{OL}	0	-	0.45	
9	SD_DATA1	I/O	SD Card data signal. Only used for debugging. Please reserve this pin as the test point.	V _{OH}	2.25	3.0	3.3	-
				V _{OL}	0	-	0.75	
				V _{IH}	2.1	3.0	3.3	
				V _{IL}	-0.3	-	1.05	
10	SD_DATA2	I/O	SD Card data signal. Only used for debugging. Please reserve this pin as the test point.	V _{OH}	2.25	3.0	3.3	-
				V _{OL}	0	-	0.75	
				V _{IH}	2.1	3.0	3.3	
				V _{IL}	-0.3	-	1.05	
11	WAKEUP_I N	I	Sleep authorization signal. H: Sleep mode is	V _{IH}	1.26	1.8	2.1	-



Pin No.	Pin Name	Pad Type	Description	Parameter	Min. (V)	Typ. (V)	Max. (V)	Comments
			disabled. L: Sleep mode is enabled (default value).	V _{IL}	-0.3	-	0.63	The signal is internally pulled down. The module will be waked up when it is externally pulled up.
12	VBAT	PI	Power supply input. The rising time of VBAT must be greater than 100 us	-	3.3	3.8	4.2	-
13	VBAT	PI	Power supply input The rising time of VBAT must be greater than 100 us	-	3.3	3.8	4.2	-
14	PS_HOLD	I	Power supply hold signal to the module.	V _{IH}	1.26	1.8	2.1	Only used for debugging. Please reserve the test point.
				V _{IL}	-0.3	-	0.63	
15	SLEEP_STATUS	O	Sleep status indicator. H: Module is in wakeup state. L: Module is in sleep state.	V _{OH}	1.35	1.8	2.1	-
				V _{OL}	0	-	0.45	-
16	NC	-	Not connected	-	-	-	-	-
17	NC	-	Not connected	-	-	-	-	-
18	NC	-	Not connected	-	-	-	-	-
19	NC	-	Not connected	-	-	-	-	-
20	NC	-	Not connected	-	-	-	-	-
21	NC	-	Not connected	-	-	-	-	-
22	NC	-	Not connected	-	-	-	-	-
23	NC	-	Not connected	-	-	-	-	-
24	NC	-	Not connected	-	-	-	-	-
25	NC	-	Not connected	-	-	-	-	-
26	NC	-	Not connected	-	-	-	-	-
27	NC	-	Not connected	-	-	-	-	-
28	Reserved	-	Reserved, please keep this pin open.	-	-	-	-	-



Pin No.	Pin Name	Pad Type	Description	Parameter	Min. (V)	Typ. (V)	Max. (V)	Comments
29	Reserved	-	Reserved, please keep this pin open.	-	-	-	-	-
30	JTAG_TMS	I	JTAG test mode select.	V _{IH}	1.26	1.8	2.1	-
				V _{IL}	-0.3	-	0.63	-
31	Reserved	-	Reserved, please keep this pin open.	-	-	-	-	-
32	VCC_EXT1	PO	1.8 V Power output	-	1.75	1.8	1.85	-
33	NC	-	Not connected	-	-	-	-	-
34	USIM_VCC	PO	Power supply for USIM card.	-	-0.3	1.8	1.98	USIM_VCC=1.8 V
				-	-0.3	3.0	3.3	USIM_VCC=3.0 V
35	Reserved	-	Reserved, please keep this pin open.	-	-	-	-	-
36	JTAG_TRST_N	I	JTAG reset	V _{IH}	1.26	1.8	2.1	-
				V _{IL}	-0.3	-	0.63	-
37	NC	-	Not connected	-	-	-	-	-
38	NC	-	Not connected	-	-	-	-	-
39	NC	-	Not connected	-	-	-	-	-
40	NC	-	Not connected	-	-	-	-	-
41	NC	-	Not connected	-	-	-	-	-
42	JTAG_TCK	I	JTAG clock input	V _{IH}	1.26	1.8	2.1	-
				V _{IL}	-0.3	-	0.63	-
43	Reserved	-	Reserved, please keep this pin open.	-	-	-	-	-
44	Reserved	-	Reserved, please keep this pin open.	-	-	-	-	-
45	Reserved	-	Reserved, please keep this pin open.	-	-	-	-	-
46	Reserved	-	Reserved, please keep this pin open.	-	-	-	-	-
47	NC	-	Not connected	-	-	-	-	-
48	GND	-	Ground	-	-	-	-	-
49	NOT USED	-	Do not design PAD	-	-	-	-	-



Pin No.	Pin Name	Pad Type	Description	Parameter	Min. (V)	Typ. (V)	Max. (V)	Comments
50	GND	-	Ground	-	-	-	-	-
51	GPIO2	I/O	General Purpose I/O pins.	V _{OH}	1.35	1.8	2.1	The function of this pin has not been defined.
				V _{OL}	0	-	0.45	
				V _{IH}	1.26	1.8	2.1	
				V _{IL}	-0.3	-	0.63	
52	GND	-	Ground	-	-	-	-	-
53	NOT USED	-	Do not design PAD	-	-	-	-	-
54	GND	-	Ground	-	-	-	-	-
55	GPIO5/USIM Switch	I/O	General Purpose I/O pins (Default) or USIM Switch control signal.	V _{OH}	1.35	1.8	2.1	The function of this pin can be defined as GPIO or USIM Switch, while the USIM Switch should be enabled by AT command.
				V _{OL}	0	-	0.45	
				V _{IH}	1.26	1.8	2.1	
				V _{IL}	-0.3	-	0.63	
56	GND	-	Ground	-	-	-	-	-
57	NOT USED	-	Do not design PAD	-	-	-	-	-
58	GND	-	Ground	-	-	-	-	-
59	GND	-	Ground	-	-	-	-	-
60	Reserved	-	Reserved, please keep this pin open.	-	-	-	-	-
61	Reserved	-	Reserved, please keep this pin open.	-	-	-	-	-
62	Reserved	-	Reserved, please keep this pin open.	-	-	-	-	-
63	Reserved	-	Reserved, please keep this pin open.	-	-	-	-	-
64	Reserved	-	Reserved, please keep this pin open.	-	-	-	-	-
65	Reserved	-	Reserved, please keep this pin open.	-	-	-	-	-
66	SD_DATA3	I/O	SD Card data signal. Only used for debugging. Please reserve the test point.	V _{OH}	2.25	3.0	3.3	-
				V _{OL}	0	-	0.75	-
				V _{IH}	2.1	3.0	3.3	-
				V _{IL}	-0.3	-	1.05	-



Pin No.	Pin Name	Pad Type	Description	Parameter	Min. (V)	Typ. (V)	Max. (V)	Comments
67	SD_CLK	O	SD Card CLK signal. Only used for debugging. Please reserve the test point.	V _{OH}	2.25	3.0	3.3	-
				V _{OL}	0	-	0.75	-
68	SD_DATA0	I/O	SD Card data signal. Only used for debugging. Please reserve the test point.	V _{OH}	2.25	3.0	3.3	-
				V _{OL}	0	-	0.75	-
				V _{IH}	2.1	3.0	3.3	-
				V _{IL}	-0.3	-	1.05	-
69	SD_CMD	O	SD Card CMD signal. Only used for debugging. Please reserve the test point.	V _{OH}	2.25	3.0	3.3	-
				V _{OL}	0	-	0.75	-
70	USIM_DET	I	USIM Detection	V _{IH}	1.26	1.8	2.1	The signal is internally pulled up. Keep USIM_DET floating, if it is not used.
				V _{IL}	-0.3	-	0.63	
71	WAKEUP_O UT	O	Module to wake up the host.	V _{OH}	1.35	1.8	2.1	-
				V _{OL}	0	-	0.45	-
72	JTAG_TDO	O	JTAG test data output	V _{OH}	1.35	1.8	2.1	-
				V _{OL}	0	-	0.45	-
73	UART0_DS R	O	UART0 data set ready	V _{OH}	1.35	1.8	2.1	-
				V _{OL}	0	-	0.45	-
74	UART0_RTS	O	UART0 ready for receive	V _{OH}	1.35	1.8	2.1	-
				V _{OL}	0	-	0.45	-
75	UART0_DC D	O	UART0 data carrier detect	V _{OH}	1.35	1.8	2.1	-
				V _{OL}	0	-	0.45	-
76	UART0_TX	O	UART0 transmit output	V _{OH}	1.35	1.8	2.1	-
				V _{OL}	0	-	0.45	-
77	UART0_RIN G	O	UART0 ring indicator	V _{OH}	1.35	1.8	2.1	-
				V _{OL}	0	-	0.45	-
78	UART0_RX	I	UART0 receive data input	V _{IH}	1.26	1.8	2.1	-
				V _{IL}	-0.3	-	0.63	-



Pin No.	Pin Name	Pad Type	Description	Parameter	Min. (V)	Typ. (V)	Max. (V)	Comments
79	UART0_DTR	I	Data terminal ready	V _{IH}	1.26	1.8	2.1	-
				V _{IL}	-0.3	-	0.63	-
80	UART0_CTS	I	UART0 clear to send	V _{IH}	1.26	1.8	2.1	-
				V _{IL}	-0.3	-	0.63	-
81	POWER_ON_OFF	I	System power-on or power-off	V _{IH}	1.26	1.8	2.1	-
				V _{IL}	-0.3	-	0.63	-
82	NC	-	Not connected	-	-	-	-	-
83	NC	-	Not connected	-	-	-	-	-
84	NC	-	Not connected	-	-	-	-	-
85	USB_DM	I/O	USB Data- defined in the USB 2.0 Specification	-	-	-	-	-
86	USB_DP	I/O	USB Data+ defined in the USB 2.0 Specification.	-	-	-	-	-
87	JTAG_TDI	I	JTAG test data input	V _{IH}	1.26	1.8	2.1	-
				V _{IL}	-0.3	-	0.63	-
88	USIM_RESET	O	USIM card reset	V _{OH}	0.7x USIM_VCC	-	3.3	USIM_VCC=1.8 V or 3.0 V
				V _{OL}	0	-	0.2x USIM_VCC	
89	USIM_DATA	I/O	USIM card data	V _{OH}	0.7 x USIM_VCC	-	3.3	USIM_VCC=1.8 V or 3.0 V
				V _{OL}	0	-	0.2 x USIM_VCC	
				V _{IH}	0.65x USIM_VCC	-	3.30	
				V _{IL}	0	-	0.25x USIM_VCC	
90	USIM_CLK	O	USIM card clock	V _{OH}	0.7 x USIM_VCC	-	3.3	USIM_VCC=1.8 V or 3.0 V



Pin No.	Pin Name	Pad Type	Description	Parameter	Min. (V)	Typ. (V)	Max. (V)	Comments
				V _{OL}	0	-	0.2 x USIM_VCC	
91	Reserved	-	Reserved, please keep this pin open.	-	-	-	-	-
92	SD_VCC	PO	SD Card Power. Only used for debugging. Please reserve the test point.	-	2.9	3.0	3.1	-
93	NC	-	Not connected	-	-	-	-	-
94	NC	-	Not connected	-	-	-	-	-
95	NC	-	Not connected	-	-	-	-	-
96	NC	-	Not connected	-	-	-	-	-
97	NC	-	Not connected	-	-	-	-	-
98	NC	-	Not connected	-	-	-	-	-
99	NC	-	Not connected	-	-	-	-	-
100	RESIN_N	I	Reset module.	V _{IH}	1.26	1.8	2.1	-
				V _{IL}	-0.3	-	0.63	
101	LED_MODE	O	Mode indicator Current sink Drive strength: 10 mA	-	-	-	-	-
102	Reserved	-	Reserved, please keep this pin open.	-	-	-	-	-
103	NC	-	Not connected	-	-	-	-	-
104	Reserved	-	Reserved, please keep this pin open.	-	-	-	-	-
105	GPIO1	I/O	General Purpose I/O pins.	V _{OH}	1.35	1.8	2.1	The function of this pin has not been defined.
				V _{OL}	0	-	0.45	
				V _{IH}	1.26	1.8	2.1	
				V _{IL}	-0.3	-	0.63	
106	GND	-	Ground	-	-	-	-	-
107	MAIN_ANT	-	RF main antenna pad	-	-	-	-	-
108	GND	-	Ground	-	-	-	-	-
109	GPIO4	I/O	General Purpose I/O	V _{OH}	1.35	1.8	2.1	The function of



Pin No.	Pin Name	Pad Type	Description	Parameter	Min. (V)	Typ. (V)	Max. (V)	Comments
			pins.	V _{OL}	0	-	0.45	this pin has not been defined.
				V _{IH}	1.26	1.8	2.1	
				V _{IL}	-0.3	-	0.63	
110	GND	-	Ground	-	-	-	-	-
111	NC	-	Not connected	-	-	-	-	-
112	GND	-	Ground	-	-	-	-	-
113	GPIO3/Jamming-detection	I/O	General Purpose I/O pins (Default) or Jamming-detection.	V _{OH}	1.35	1.8	2.1	The function of this pin can be defined as GPIO or Jamming-detection, while the Jamming-detection should be enabled by AT command.
				V _{OL}	0	-	0.45	
				V _{IH}	1.26	1.8	2.1	
				V _{IL}	-0.3	-	0.63	
114	GND	-	Ground	-	-	-	-	-
115	AUX_ANT	-	RF AUX antenna pad	-	-	-	-	-
116	GND	-	Ground	-	-	-	-	-
117	NC	-	Not connected	-	-	-	-	-
118	NC	-	Not connected	-	-	-	-	-
119	NC	-	Not connected	-	-	-	-	-
120	NC	-	Not connected	-	-	-	-	-
121	GND	-	Thermal Ground Pad	-	-	-	-	-
122	GND	-	Thermal Ground Pad	-	-	-	-	-
123	GND	-	Thermal Ground Pad	-	-	-	-	-
124	GND	-	Thermal Ground Pad	-	-	-	-	-
125	GND	-	Thermal Ground Pad	-	-	-	-	-
126	GND	-	Thermal Ground Pad	-	-	-	-	-
127	GND	-	Thermal Ground Pad	-	-	-	-	-
128	GND	-	Thermal Ground Pad	-	-	-	-	-
129	GND	-	Thermal Ground Pad	-	-	-	-	-
130	GND	-	Thermal Ground Pad	-	-	-	-	-
131	GND	-	Thermal Ground Pad	-	-	-	-	-

Pin No.	Pin Name	Pad Type	Description	Parameter	Min. (V)	Typ. (V)	Max. (V)	Comments
132	GND	-	Thermal Ground Pad	-	-	-	-	-
133	GND	-	Thermal Ground Pad	-	-	-	-	-
134	GND	-	Thermal Ground Pad	-	-	-	-	-
135	GND	-	Thermal Ground Pad	-	-	-	-	-
136	GND	-	Thermal Ground Pad	-	-	-	-	-
137	GND	-	Thermal Ground Pad	-	-	-	-	-
138	GND	-	Thermal Ground Pad	-	-	-	-	-
139	GND	-	Thermal Ground Pad	-	-	-	-	-
140	GND	-	Thermal Ground Pad	-	-	-	-	-
141	GND	-	Thermal Ground Pad	-	-	-	-	-
142	GND	-	Thermal Ground Pad	-	-	-	-	-
143	GND	-	Thermal Ground Pad	-	-	-	-	-
144	GND	-	Thermal Ground Pad	-	-	-	-	-
145	GND	-	Thermal Ground Pad	-	-	-	-	-



NOTE

- **I** indicates pins for digital signal input; **O** indicates pins for digital signal output; **PI** indicates power input pins; **PO** indicates power output pins.
- **V_{IL}** indicates low-level input voltage; **V_{IH}** indicates high-level input voltage; **V_{OL}** indicates low-level output voltage; **V_{OH}** indicates high-level output voltage.
- The **NC** (Not Connected) pins are floating and there are no signal connected to these pins.
- The **Reserved** pins are internally connected to the module. Therefore, these pins should not be used, otherwise they may cause problems. Please contact us for more details about this information.

3.3 Power Interface

3.3.1 Overview

The power supply part of the MU709 module contains:

- VBAT pins for the power supply
- VCC_EXT1 pin for external power output with 1.8 V
- USIM_VCC pin for USIM card power output
- SD_VCC pin for SD card power output for debugging.

Table 3-2 lists the definitions of the pins on the power supply interface.

Table 3-2 Definitions of the pins on the power supply interface

Pin No.	Pin Name	Pad Type	Description	Parameter	Min. (V)	Typ. (V)	Max. (V)	Comments
12 and 13	VBAT	PI	Power supply input. The rising time of VBAT must be greater than 100 us	-	3.3	3.8	4.2	
48, 50, 52, 54, 56, 58, 59, 106, 108, 110, 112, 114 and 116	GND	-	GND	-	-	-	-	-
32	VCC_E XT1	PO	Pin for external power output	-	1.75	1.8	1.85	-
34	USIM_VCC	PO	Power supply for USIM card	-	-0.3	1.8	1.98	USIM_VCC =1.8 V
					-0.3	3.0	3.3	USIM_VCC =3.0 V
92	SD_VCC	PO	SD Card Power. Only used for debugging. Please reserve the test point.	-	2.9	3.0	3.1	
121-145	GND	-	Thermal Ground Pad	-	-	-	-	-

3.3.2 Power Supply VBAT Interface

When the MU709 module works normally, power is supplied through the VBAT pins and the voltage ranges from 3.3 V to 4.2 V (typical value: 3.8 V). The 145-pin LGA provides two VBAT pins and some GND pins for external power input. To ensure that the MU709 module works normally, all the pins must be used efficiently.

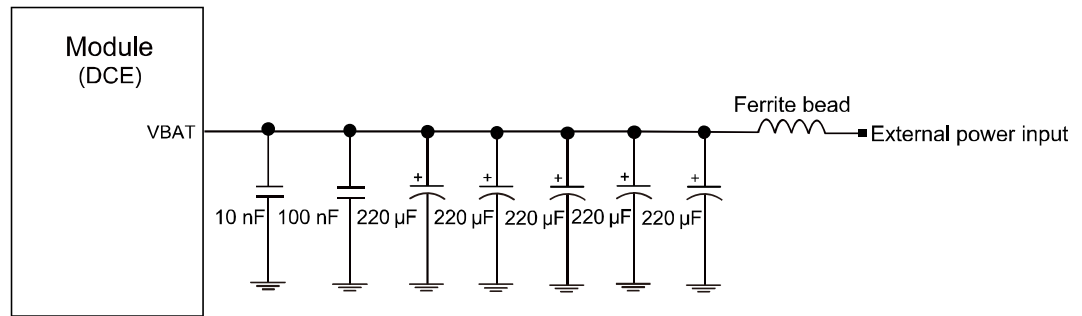
When the MU709 module is used for different external applications, pay special attention to the design for the power supply. When the MU709 module works at 2G mode and transmits signals at the maximum power, the transient current may reach the transient peak value of about 2.75 A due to the differences in actual network environments. In this case, the VBAT voltage drops. If you want wireless good performance, please make sure that the voltage does not decrease below 3.3 V in any case. Otherwise, exceptions such as restart of the MU709 module may occur.

A low-dropout (LDO) regulator or switch power with current output of more than 3 A is recommended for external power supply. Furthermore, five 220 μF or above energy storage capacitors are connected in parallel at the power interface of the MU709

module. In addition, to reduce the impact of channel impedance on voltage drop, you are recommended to try to shorten the power supply circuit of the VBAT interface.

It is recommended that customers add the EMI ferrite bead (FBMJ1608HS280NT manufactured by TAIYO YUDEN or MPZ1608S300ATAH0 manufactured by TDK is recommended) to directly isolate DTE from DCE in the power circuit. Figure 3-2 shows the recommended power circuit of MU709 module.

Figure 3-2 Recommended power circuit of MU709 module



When the system power restarts, a discharge circuit is recommended to make sure the power voltage drops below 1.80 V for 1s at least.



NOTE

The rising time of VBAT should be 100 µs at least. Otherwise, the module will be powered off.

3.3.3 Output Power Supply Interface

Output power supply interface is VCC_EXT1, USIM_VCC and SD_VCC.

Through VCC_EXT1, the module can supply 1.8 V power externally with an output current of 10 mA (typical value) for external level conversion or other applications. If the module is in sleep mode, the output power supply interface is in the low power consumption state (< 500 µA). If the module is in power down mode, the output power supply is in the disabled state.

Through the USIM_VCC power supply interface, the module can supply 1.8 V or 3 V power to the USIM card.

The SD_VCC is SD card power that only used for debugging. Please reserve the test point.

3.4 Signal Control Interface

3.4.1 Overview

The signal control part of the interface on the MU709 module consists of the following:

- Power on/off (POWER_ON_OFF) pin
- System reset (RESIN_N) pin
- WAKEUP_IN signal (WAKEUP_IN) pin
- WAKEUP_OUT signal (WAKEUP_OUT) pin

- SLEEP_STATUS signal (SLEEP_STATUS) pin
- LED signal (LED_MODE) pin

Table 3-3 lists the pins on the signal control interface.

Table 3-3 Definitions of the pins on the signal control interface

Pin No.	Pin Name	Pad Type	Description	Parameter	Min. (V)	Typ. (V)	Max. (V)	Comments
81	POWER_ON_OFF	I	System power-on and power-off	V _{IH}	1.26	1.8	2.1	
				V _{IL}	-0.3	-	0.63	
100	RESIN_N	I	Reset module.	V _{IH}	1.26	1.8	2.1	
				V _{IL}	-0.3	-	0.63	
11	WAKEUP_IN	I	Sleep authorization signal H: Sleep mode is disabled L: Sleep mode is enabled (default value)	V _{IH}	1.26	1.8	2.1	The signal is internally pulled down. The module will be waked up when it is externally pulled up.
				V _{IL}	-0.3	-	0.63	
71	WAKEUP_OUT	O	Module to wake up the host. H: Wake up the host, the module hold 1s high-level-voltage pulse and then output low-level-voltage L: Do not wake up the host (default value)	V _{OH}	1.35	1.8	2.1	-
				V _{OL}	0	-	0.45	
15	SLEEP_STATUS	O	Sleep status indicator H: Module is in wake state L: Module is in sleep state	V _{OH}	1.35	1.8	2.1	-
				V _{OL}	0	-	0.45	-
101	LED_MODE	O	Mode indicator Current sink Drive strength: 10 mA	-	-	-	-	-

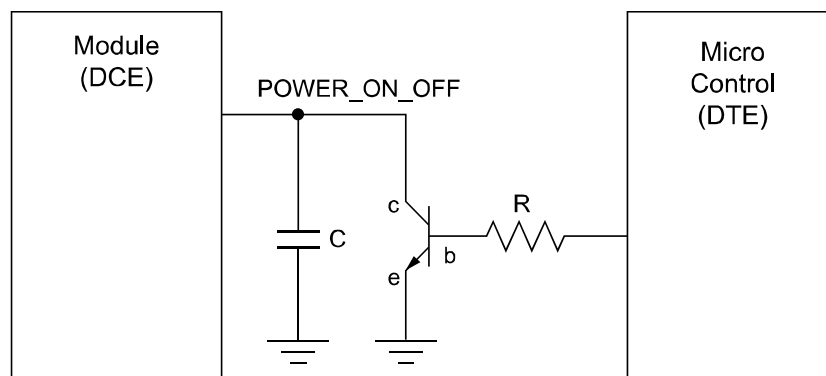
3.4.2 Power-on/off Pin

The MU709 module can be controlled to power on/off by the POWER_ON_OFF pin.

Table 3-4 Two states of POWER_ON_OFF

Item	Pin state	Description
1	Low (when MU709 module is in power off state.)	MU709 module is powered on. POWER_ON_OFF pin should be pulled down for 1.0s at least.
2	Low (when MU709 module is in power on state.)	MU709 module is powered off. POWER_ON_OFF pin should be pulled down for 4.0s at least.

Figure 3-3 Connections of the POWER_ON_OFF pin



Power-On Time Sequence

After VBAT has been applied and is stable, the POWER_ON_OFF signal is pulled down, and then the module will boot up.

During power on timing, please make sure the VBAT is stable.

Figure 3-4 Power on timing sequence

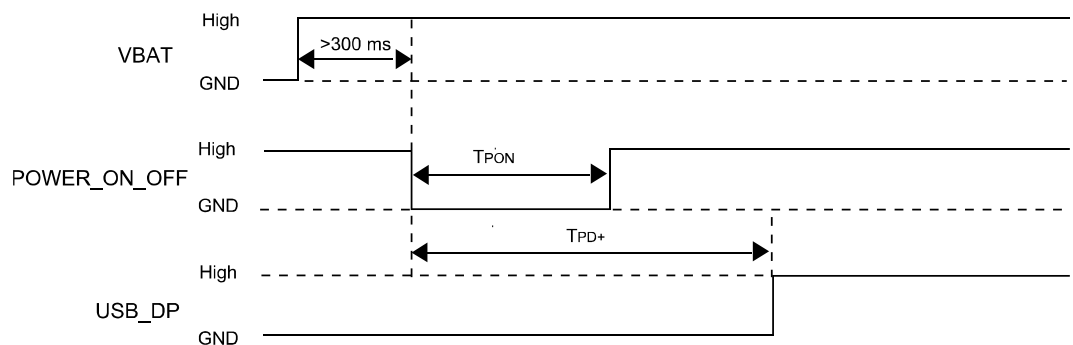


Table 3-5 Power on timing

Parameter	Comments	Time (Nominal values)	Units
T _{PON}	POWER_ON_OFF turn on time.	> 1.0	s
T _{PD+}	POWER_ON_OFF Valid to USB D+ high	About 7.0	s

If the DTE needs to detect the PID/VID of module during the BIOS phase, the detection time should exceed the T_{PD+} time.

Power-Off Time Sequence

Figure 3-5 Power off timing sequence

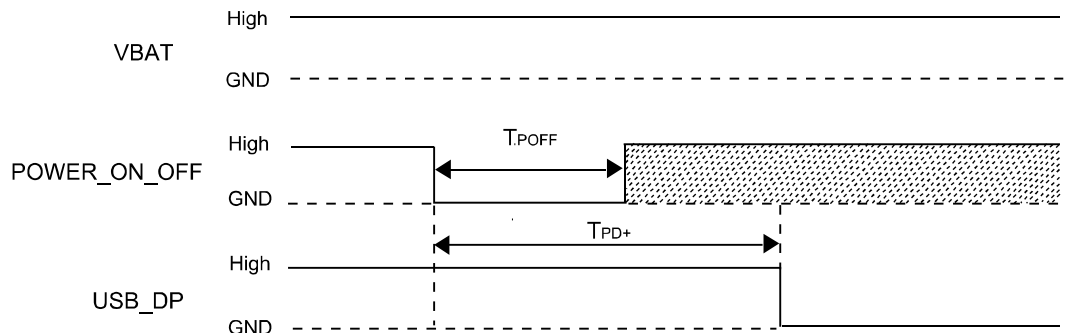


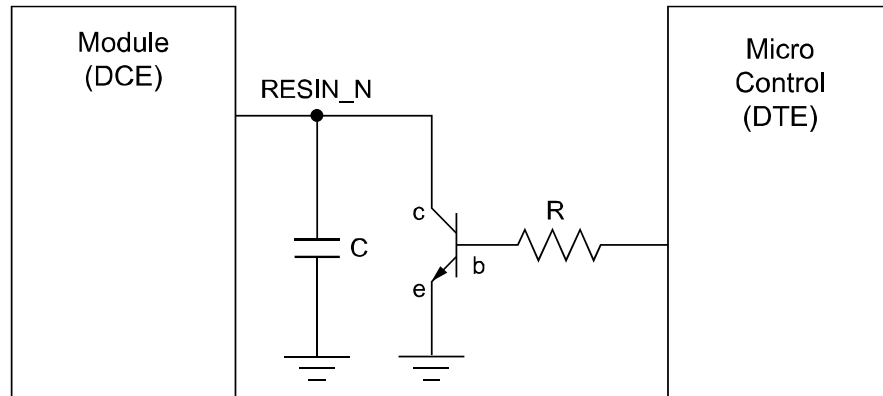
Table 3-6 Power off timing

Parameter	Comments	Time (Nominal values)	Units
T _{POFF}	POWER_ON_OFF turn off time.	> 4.0	s
T _{PD+}	POWER_ON_OFF Valid to USB D+ low	> 4.0	s

3.4.3 RESIN_N

The RESIN_N pin is used to reset the module's system. When the software stops responding, the RESIN_N pin can be pulled down to reset the hardware.

Figure 3-6 Connections of the RESIN_N pin

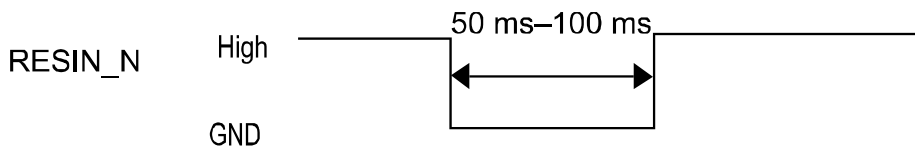


 **CAUTION**

As the RESIN_N and POWER_ON_OFF signals are relatively sensitive, it is recommended that you install a 10 nF–0.1 μF capacitor near the RESIN_N and POWER_ON_OFF pins of the interface for filtering. In addition, when you design a circuit on the PCB of the interface board, it is recommended that the circuit length not exceed 20 mm and that the circuit be kept at a distance of 2.54 mm (100 mil) at least from the PCB edge. Furthermore, you need to wrap the area adjacent to the signal wire with a ground wire. Otherwise, the module may be reset due to interference.

The MU709 module supports hardware reset function. If the software of the MU709 module stops responding, you can reset the hardware through the RESIN_N signal as shown in Figure 3-7. When a low-level pulse is supplied through the RESIN_N pin, the hardware will be reset. After the hardware is reset, the software starts powering on the module and reports relevant information according to the actual settings. For example, the AT command automatically reports ^SYSSTART.

Figure 3-7 Reset pulse timing



 **NOTE**

The RESIN_N pin must not be pulled down for more than 1s. Otherwise, the module will be powered off.

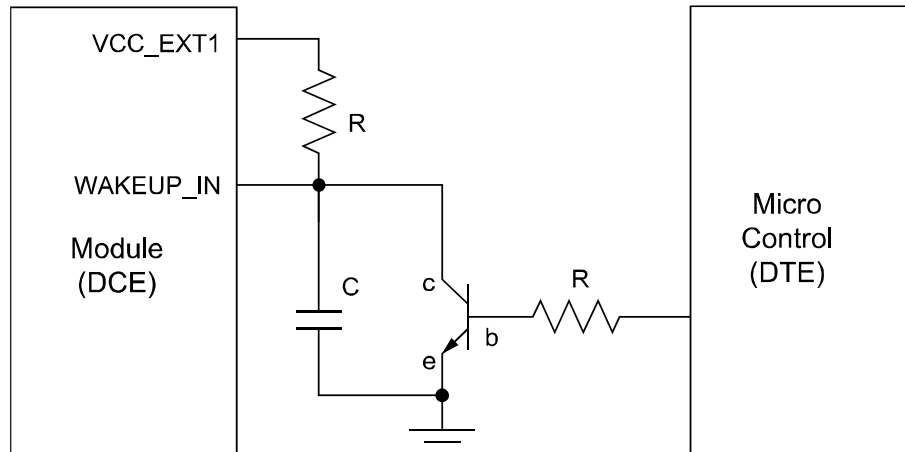
3.4.4 WAKEUP_IN Signal

WAKEUP_IN pin is the authorization signal of MU709 entering sleep mode. It is internally pulled down, so it can be floating if not used.

Table 3-3 shows the definition of the WAKEUP_IN signal.

The module cannot enter sleep mode when this pin is pulled up (1.8 V), and the module should be waked up when the pin is pulled up for 1s.

Figure 3-8 Connections of the WAKEUP_IN pin



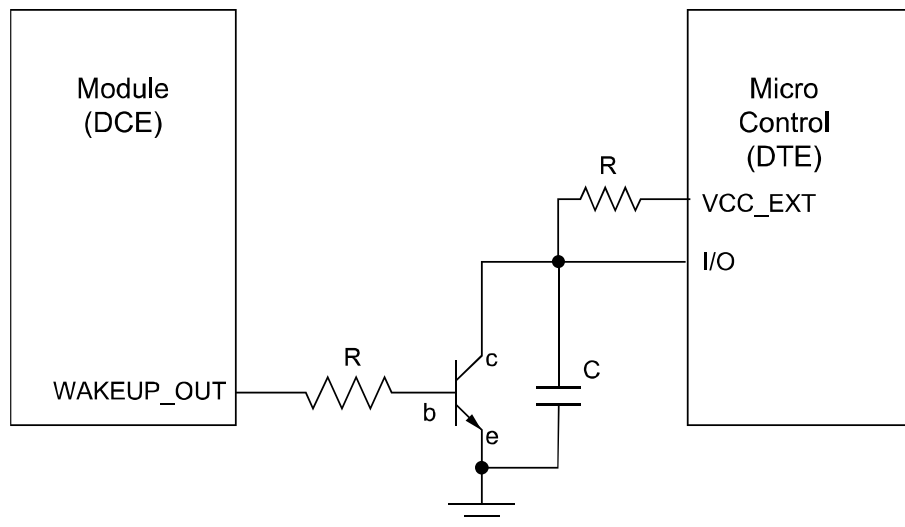
3.4.5 WAKEUP_OUT Signal

The WAKEUP_OUT signal is used to wake up the external devices.

Table 3-3 shows the definition of the WAKEUP_OUT signal.

Figure 3-9 shows recommended circuit of the WAKEUP_OUT pin.

Figure 3-9 Connections of the WAKEUP_OUT pin



3.4.6 SLEEP_STATUS Signal

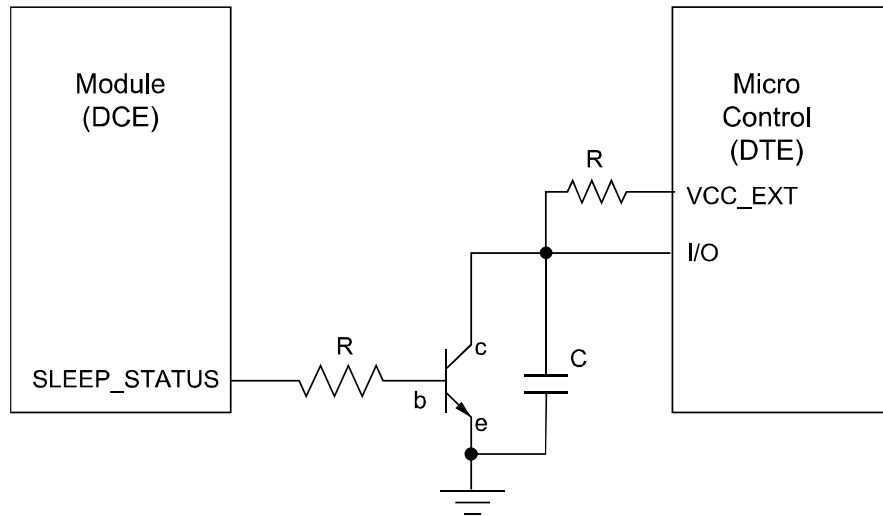
SLEEP_STATUS signal is used to indicate the sleep status of MU709 module. The external devices can get to know whether the module is in sleep mode by reading SLEEP_STATUS pin.

When SLEEP_STATUS pin is in high level, MU709 module is in wakeup state.

When SLEEP_STATUS pin is in low level, MU709 module is in sleep state.

Figure 3-10 shows recommended circuit of the SLEEP_STATUS pin.

Figure 3-10 Connections of the SLEEP_STATUS pin



3.4.7 LED_MODE Signal

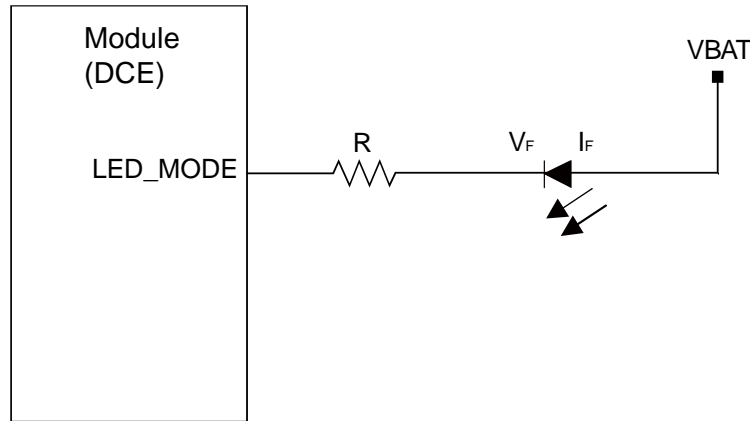
MU709 module provides an LED_MODE signal to indicate the work status.

Table 3-7 State of the LED_MODE pin

No.	Operating Status	LED_MODE
1	No service/Restricted service	Outputs: low (0.1s)-high (0.1s)-low (0.1s)-high (1.7s) 2s cycle
2	Register to the network	Outputs: low (0.1s)-high (1.9s) 2s cycle
3	Dial-up successfully	Outputs: low

Figure 3-11 shows the recommended circuits of the LED_MODE pin. According to LED feature, you can adjust the LED brightness by adjusting the resistance of resistor R. The mode indicator (LED_MODE) is current sink. Drive strength: 10 mA.

Figure 3-11 Driving circuit



3.5 UART Interface

3.5.1 Overview

The MU709 module provides the UART0 (8-wire UART) interface for one asynchronous communication channel. As the UART0 interface supports signal control through standard modem handshake, AT commands are entered and serial communication is performed through the UART0 interface. The UART have the following features:

- Full-duplex
- 7-bit or 8-bit data
- 1-bit or 2-bit stop bit
- Odd parity check, even parity check, or non-check
- Baud rate clock generated by the system clock
- Direct memory access (DMA) transmission
- Supported baud rate: 9600 bit/s, 19200 bit/s, 38400 bit/s, 57600 bit/s, 115200 bit/s (default), 230400 bit/s, 460800 bit/s and 921600 bit/s

The 2-wire UART1 is for debugging only. Customers should layout two test points, which are required for system troubleshooting and analysis.

Table 3-8 lists the UART interface signals.

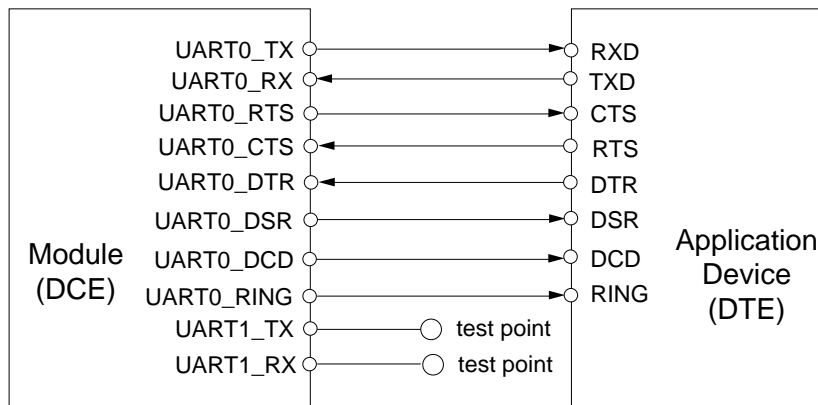
Table 3-8 UART interface signals

Pin No.	Pin Name	Pad Type	Description	Parameter	Min. (V)	Typ. (V)	Max. (V)
1	UART1_TX	O	UART1 transmit output for debugging.	V_{OH}	1.35	1.8	2.1
				V_{OL}	0	-	0.45
4	UART1_RX	I	UART1 receive data input for	V_{IH}	1.26	1.8	2.1

Pin No.	Pin Name	Pad Type	Description	Parameter	Min. (V)	Typ. (V)	Max. (V)
			debugging	V_{IL}	-0.3	-	0.63
76	UART0_TX	O	UART0 transmit output	V_{OH}	1.35	1.8	2.1
				V_{OL}	0	-	0.45
78	UART0_RX	I	UART0 receive data input	V_{IH}	1.26	1.8	2.1
				V_{IL}	-0.3	-	0.63
77	UART0_RING	O	UART0 ring indicator	V_{OH}	1.35	1.8	2.1
				V_{OL}	0	-	0.45
74	UART0_RTS	O	UART0 ready for receive	V_{OH}	1.35	1.8	2.1
				V_{OL}	0	-	0.45
79	UART0_DTR	I	UART0 data terminal ready	V_{IH}	1.26	1.8	2.1
				V_{IL}	-0.3	-	0.63
80	UART0_CTS	I	UART0 clear to send	V_{IH}	1.26	1.8	2.1
				V_{IL}	-0.3	-	0.63
75	UART0_DCD	O	UART0 data carrier detect	V_{OH}	1.35	1.8	2.1
				V_{OL}	0	-	0.45
73	UART0_DSR	O	UART0 data set ready	V_{OH}	1.35	1.8	2.1
				V_{OL}	0	-	0.45

3.5.2 Circuit Recommended for the UART Interface

Figure 3-12 Connection of the UART interface in the MU709 module (DCE) with the host (DTE)



The RS-232 chip (must support 921600 bit/s) can be used to connect the MU709 module with UART0. In this connection, the Complementary Metal Oxide Semiconductor (CMOS) logic level and the Electronic Industries Association (EIA) level are converted mutually.

 **NOTE**

- The UART0 cannot wake up the module from the sleep status, and you can pull up the WAKE_IN signal for 1s instead.
- The level of RS-232 transceivers must match that of the MU709 module.

3.6 USB Interface

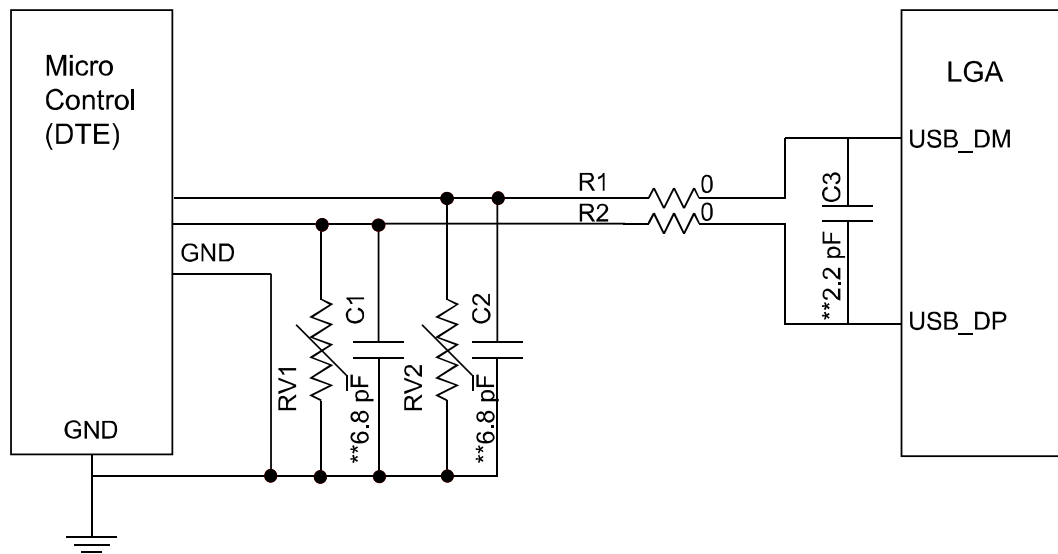
The MU709 module is compliant with USB 2.0 high speed protocol. The USB interface is powered directly from the VBAT supply. The USB signal lines are compatible with the USB 2.0 signal specifications. Figure 3-13 shows the circuit of the USB interface.

Table 3-9 Definition of the USB interface

Pin No.	Pin Name	Pad Type	Description	Parameter	Min.(V)	Typ.(V)	Max.(V)
85	USB_DM	I/O	USB Data- defined in the USB 2.0 Specification	-	-	-	-
86	USB_DP	I/O	USB Data+ defined in the USB 2.0 Specification	-	-	-	-

According to USB protocol, for bus timing or electrical characteristics of MU709 USB signal, please refer to the chapter 7.3.2 of [Universal Serial Bus Specification 2.0](#).

Figure 3-13 Recommended circuit of USB interface



 **NOTE**

- USB_DM and USB_DP are required to control the differential impedance 90 Ω (±10%).
- The length of the gap between USB_DM and USB_DP should not exceed 5 mil.
- The USB differential signal trace must be as short as possible, and laid out away from high-speed clock signals and other periodic signals as far as possible.
- Minimize through-holes and turning angles on the USB signal trace to reduce signal reflection and impedance change.
- Do not route the USB signal trace under the following components: crystal, oscillator, clock circuit, electromagnetic component, and IC that uses or generates clocks.
- Avoid stubs on the USB signal trace because stubs generate reflection and affect the signal quality.
- Route the USB signal trace on a complete reference plane (GND) and avoid crossing inter-board gaps because inter-board gaps cause a large reflow channel area and increase inductance and radiation. In addition, avoid signal traces on different layers.
- The USB signal trace must be far away from core logical components because the high current pulse generated during the state transitions process of core components may impose interference on signals.
- The USB signal trace must be far away from board edges with a minimum distance of 20 × h (h indicates the vertical distance between the trace and the reference layer) to avoid signal radiation.
- C1 and C2 are ready for dealing with filter differential mode interference and C3 is ready for dealing with filter common mode interference. You can choose the value of the C1, C2 and C3 according to the actual PCB which is integrated 30 mm × 30 mm LGA module

3.7 USIM Card Interface

3.7.1 Overview

The MU709 module provides a USIM card interface complying with the ISO 7816-3 standard and support both Class B and Class C USIM cards.

Table 3-10 USIM card interface signals

Pin No.	Pin Name	Pad Type	Description	Parameter	Min.(V)	Typ. (V)	Max.(V)	Comments
88	USIM_RESET	O	USIM card reset	V _{OH}	0.7 x USIM_VCC	-	3.3	USIM_VCC=1.8 V or 3.0 V
				V _{OL}	0	-	0.2 x USIM_VCC	
89	USIM_DATA	I/O	USIM card data	V _{OH}	0.7 x USIM_VCC	-	3.3	USIM_VCC=1.8 V or 3.0 V
				V _{OL}	0	-	0.2 x USIM_VCC	
				V _{IH}	0.65 x USIM_VCC	-	3.30	

Pin No.	Pin Name	Pad Type	Description	Parameter	Min.(V)	Typ.(V)	Max.(V)	Comments
				V_{IL}	0	-	$0.25 \times USIM_VCC$	
90	USIM_CLK	O	USIM card clock	V_{OH}	$0.7 \times USIM_VCC$	-	3.3	USIM_VCC=1.8 V or 3.0 V
				V_{OL}	0	-	$0.2 \times USIM_VCC$	
70	USIM_DET	I	USIM Detection	V_{IH}	1.26	1.8	2.1	The signal is internally pulled up. Keep USIM_DET floating, if it is not used.
				V_{IL}	-0.3	-	0.63	
34	USIM_VCC	PO	Power supply for USIM card	-	-0.3	1.8	1.98	USIM_VCC=1.8 V
					-0.3	3.0	3.3	USIM_VCC=3.0 V

3.7.2 Circuit Recommended for the USIM Card Interface

As the MU709 module is not equipped with a USIM socket, you need to place a USIM socket on the user interface board. Figure 3-14 shows the circuit of the USIM card interface.

Figure 3-14 Circuit of the USIM card interface

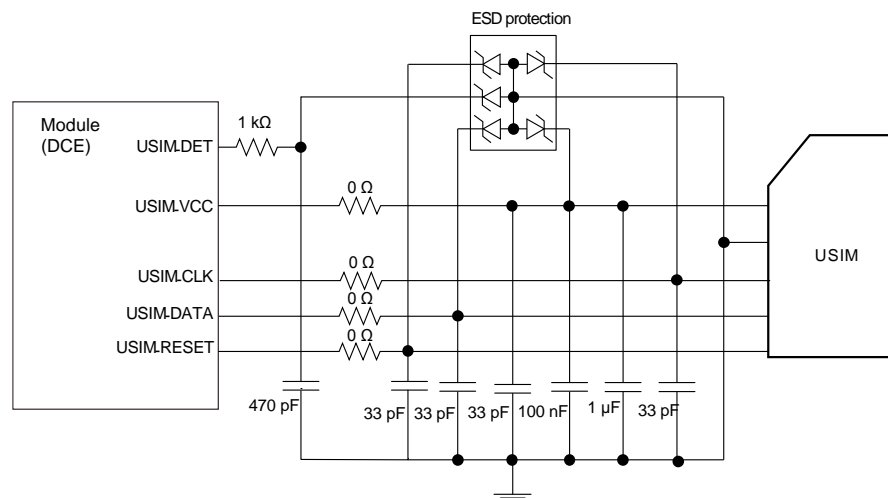
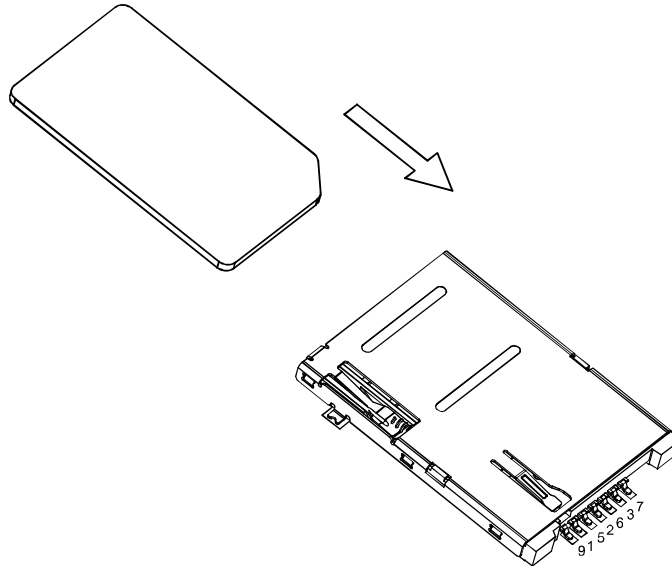
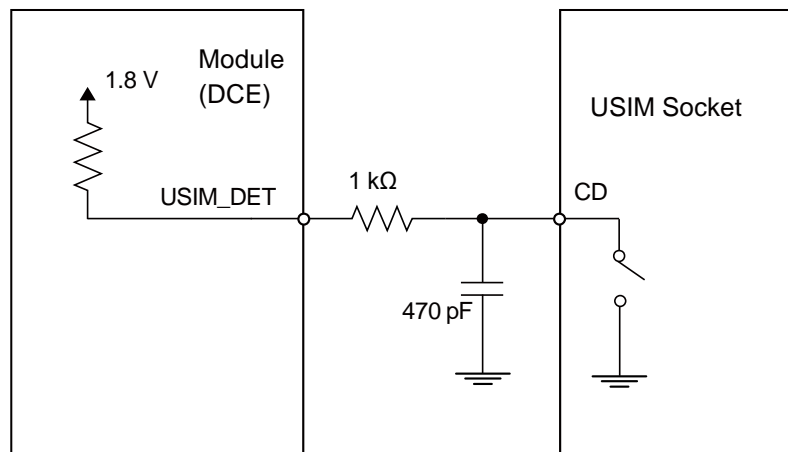


Figure 3-15 Pin definition of USIM Socket



Pin 1:	USIM_VCC
Pin 2:	USIM_RESET
Pin 3:	USIM_CLK
Pin 5:	GND
Pin 6:	VPP(Programming Voltage)
Pin 7:	USIM_DATA
Pin 9:	USIM_DET

Figure 3-16 Connections of the USIM_DET pin



CD is a pin detecting USIM card in the USIM socket.

- If the USIM card is present, USIM_DET pin should be high, and the CD is open.

- If the USIM card is absent, USIM_DET pin should be low, and the CD is connected to ground.

CAUTION

- To meet the requirements of 3GPP TS 51.010-1 protocols and electromagnetic compatibility (EMC) authentication, the USIM socket should be placed near the LGA interface (it is recommended that the PCB circuit connects the LGA interface and the USIM socket does not exceed 100 mm), because a long circuit may lead to wave distortion, thus affecting signal quality.
- It is recommended that you wrap the area adjacent to the USIM_CLK and USIM_DATA signal wires with ground. The Ground pin of the USIM socket and the Ground pin of the USIM card must be well connected to the power Ground pin supplying power to the MU709 module.
- A 100 nF capacitor and 1 μ F capacitor are placed between the USIM_VCC and GND pins in a parallel manner (If USIM_VCC circuit is too long, that the larger capacitance such as 4.7 μ F can be employed if necessary). Three 33 pF capacitors are placed between the USIM_DATA and Ground pins, the USIM_RESET and Ground pins, and the USIM_CLK and Ground pins in parallel to filter interference from RF signals.
- It is recommended to take electrostatic discharge (ESD) protection measures near the USIM socket. The TVS diode with Vrwm of 5 V and junction capacitance less than 10 pF must be placed as close as possible to the USIM socket, and the Ground pin of the ESD protection component is well connected to the power Ground pin that supplies power to the MU709 module.
- It is recommended to place a 1 k Ω resistor in series on the USIM_DET interface for ESD protection if USIM_DET is used.

3.8 Audio Interface

MU709 module provides one PCM digital audio interface. Table 3-11 lists the signals on the digital audio interface.

Table 3-11 Signals on the digital audio interface

Pin No.	Pin Name	Pad Type	Description	Parameter	Min. (V)	Typ. (V)	Max. (V)	Comments
5	PCM_SYNC	O	PCM sync	V _{OH}	1.35	1.80	2.10	The pin is output when the module is used as PCM master; input when the module is used as PCM slave.
				V _{OL}	0	-	0.45	
6	PCM_DIN	I	PCM data in	V _{IH}	1.26	1.80	2.10	-
				V _{IL}	-0.30	-	0.63	
7	PCM_DOUT	O	PCM data out	V _{OH}	1.35	1.80	2.10	-

Pin No.	Pin Name	Pad Type	Description	Parameter	Min. (V)	Typ. (V)	Max. (V)	Comments
				V _{OL}	0	-	0.45	
8	PCM_CLK	O	PCM clock	V _{OH}	1.35	1.80	2.10	The pin is output when the module is used as PCM master; input when the module is used as PCM slave.
				V _{OL}	0	-	0.45	

The MU709 PCM interface enables communication with an external codec to support linear format.

Figure 3-17 Circuit diagram of the interface of the PCM (MU709 is used as PCM master)

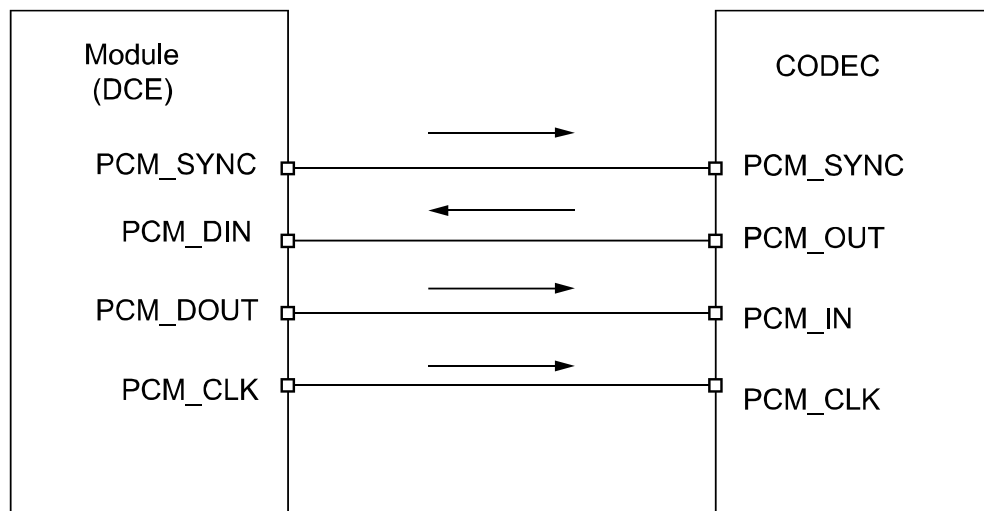
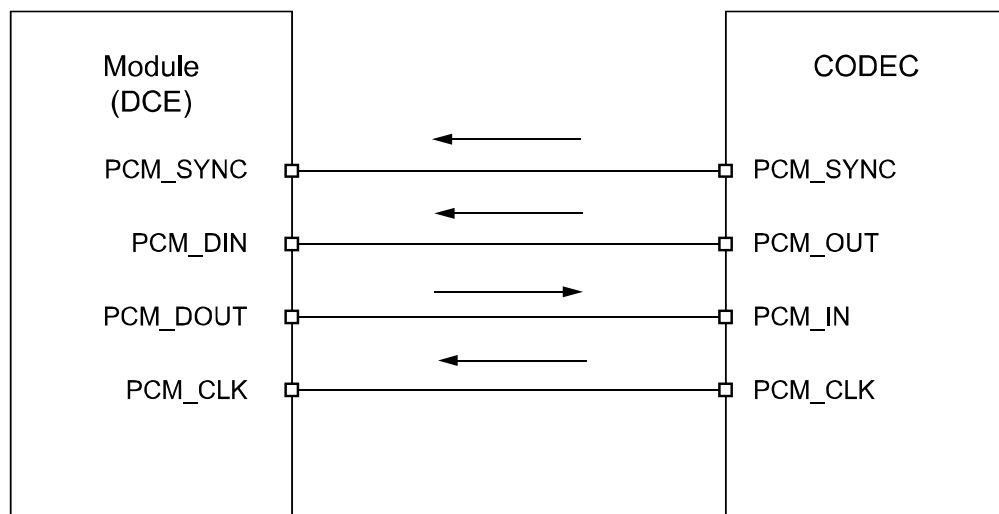


Figure 3-18 Circuit diagram of the interface of the PCM (MU709 is used as PCM slave)





NOTE

- It is recommended that a TVS be used on the related interface, to prevent electrostatic discharge and protect IC (Integrated Circuit) components.
- The signal level of CODEC must match that of the module.

3.9 General Purpose I/O Interface

The MU709 module provides GPIO pins for customers to use controlling signals which are worked at 1.8 V CMOS logic levels. Customers can use AT command to control the state of logic levels of 5 GPIO output signal. See the [HUAWEI MU709 Series HSPA+ Module AT Command Interface Specification](#).

Table 3-12 Signals on the GPIO interface

Pin No.	Pin Name	Pad Type	Description	Parameter	Min. (V)	Typ. (V)	Max. (V)	Comments
55	GPIO5/USIM Switch	I/O	General Purpose I/O pins (Default) or USIM Switch control signal.	V _{OH}	1.35	1.8	2.1	The function of this pin can be defined as GPIO or USIM Switch, while the USIM Switch should be enabled by AT command.
				V _{OL}	0	-	0.45	
				V _{IH}	1.26	1.8	2.1	
				V _{IL}	-0.3	-	0.63	
113	GPIO3/Jamming-detection	I/O	General Purpose I/O pins (Default) or Jamming-detection.	V _{OH}	1.35	1.8	2.1	The function of this pin can be defined as GPIO or Jamming-detection, while the Jamming-detection should be enabled by AT command.
				V _{OL}	0	-	0.45	
				V _{IH}	1.26	1.8	2.1	
				V _{IL}	-0.3	-	0.63	
51, 105, 109	GPIO	I/O	General Purpose I/O pins.	V _{OH}	1.35	1.8	2.1	The function of these pins has not been defined.
				V _{OL}	0	-	0.45	
				V _{IH}	1.26	1.8	2.1	
				V _{IL}	-0.3	-	0.63	

3.10 JTAG Interface

The MU709 module provides Joint Test Action Group (JTAG) interface. Table 3-13 shows the signals on the JTAG interface. It is recommended that route out the 5 pins as test points on the DTE for tracing and debugging.

Table 3-13 Signals on the JTAG interface

Pin No.	Pin Name	Pad Type	Description	Parameter	Min.(V)	Typ.(V)	Max.(V)
30	JTAG_TMS	I	JTAG test mode select	V _{IH}	1.26	1.8	2.1
				V _{IL}	-0.3	-	0.63
36	JTAG_TRST_N	I	JTAG reset	V _{IH}	1.26	1.8	2.1
				V _{IL}	-0.3	-	0.63
42	JTAG_TCK	I	JTAG clock input	V _{IH}	1.26	1.8	2.1
				V _{IL}	-0.3	-	0.63
72	JTAG_TDO	O	JTAG test data output	V _{OH}	1.35	1.8	2.1
				V _{OL}	0	-	0.45
87	JTAG_TDI	I	JTAG test data input	V _{IH}	1.26	1.8	2.1
				V _{IL}	-0.3	-	0.63

3.11 RF Antenna Interface

The MU709 module provides two antenna pads (MAIN_ANT and AUX_ANT) for connecting the external antennas.

Table 3-14 Definition of the antenna pads

Pin No.	Pin Name	Pad Type	Description	Parameter	Min.(V)	Typ.(V)	Max.(V)
107	MAIN_ANT	-	RF MAIN antenna pad	-	-	-	-
115	AUX_ANT	-	RF AUX antenna pad	-	-	-	-

Route the antenna pad as close as possible to antenna connector. In addition, the impedance of RF signal traces must be 50 Ω.

Figure 3-19 RF signal trace design about MAIN_ANT for reference (the same for AUX_ANT)

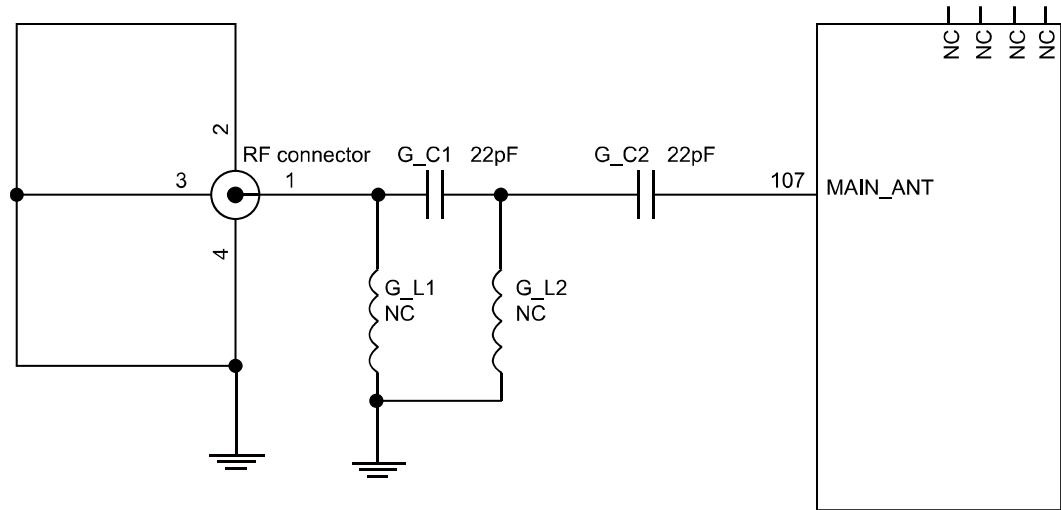
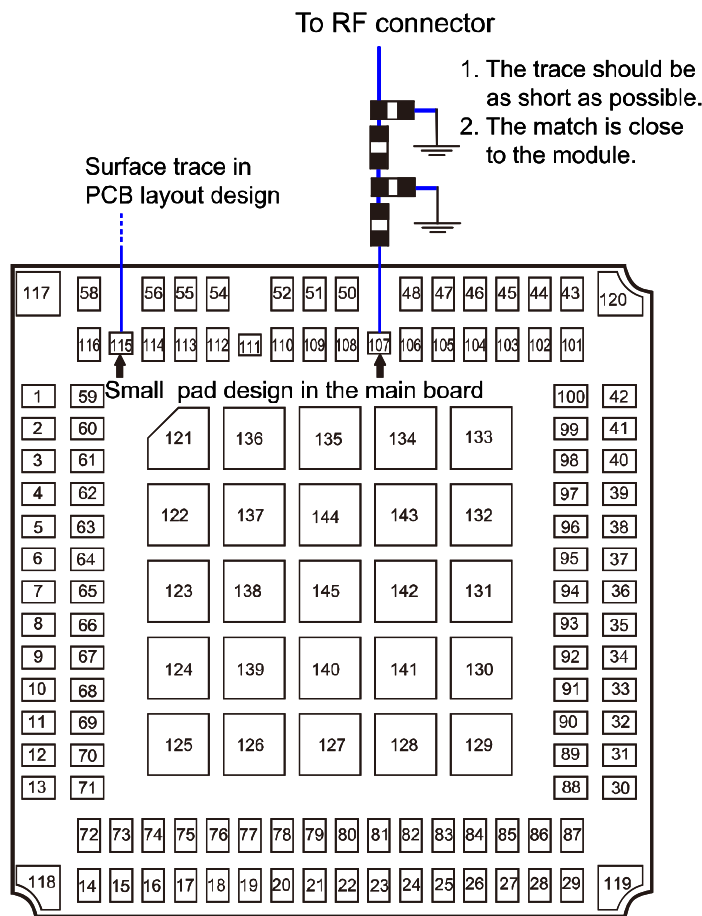


Figure 3-20 RF signal layout design about MAIN_ANT for reference (the same for AUX_ANT)



For the PCB designed by the user, the impedance of all the RF signal tracks must be $50\ \Omega$. Generally, the impedance depends on the medium factor, track width, and distance from the floor.

In order to reflect the rules of design, the following figures indicate the complete structure of the microstrip and stripline with an impedance of $50\ \Omega$ as well as the reference design for stack.

Figure 3-21 Complete structure of the microstrip

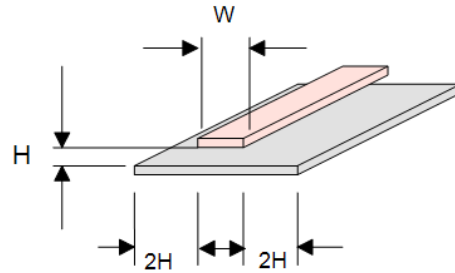


Figure 3-22 Complete structure of the stripline

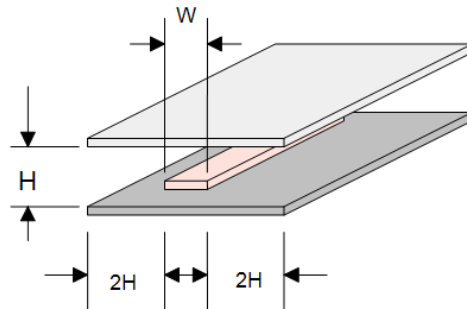


Figure 3-23 Pad for the RF interface

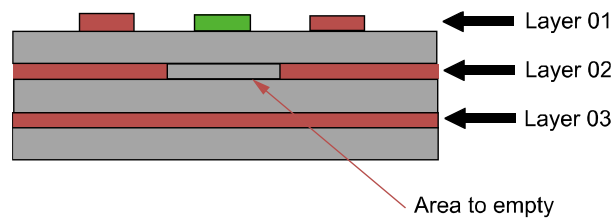
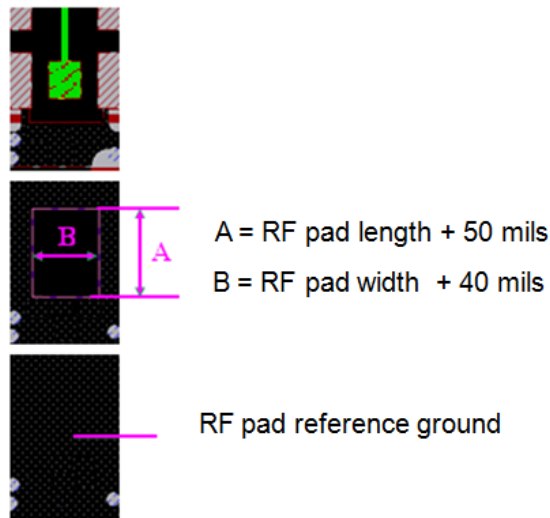


Figure 3-24 RF Pad design for MU709



Please use impedance simulation tool to calculate RF MAIN pad impedance. The RF MAIN pad dimension of the module is 1.1 mm (L) x 0.9 mm (W). You can get the impedance with lower than 50 Ω calculated by the impedance simulation tool. Since the target impedance is 50 Ω for RF trace, the recommended solution is that to carve out the copper area of the second layer that projected by the RF MAIN pad at top layer. How many layers should be carved out depend on the PCB permittivity, track width, and distance from the floor of your own PCB. Our target is to make the RF MAIN pad impedance as closer to 50 Ω as possible.

3.12 Reserved Interface

The module provides some reserved pins. All reserved pins cannot be used by the customer. **All of them should be Not Connected.**

Table 3-15 Reserved pin

Pin No.	Pin Name	Pad Type	Description	Parameter	Min. (V)	Typ. (V)	Max. (V)
28, 29, 31, 35, 43–46, 60–65, 91, 102 and 104	Reserved	-	Reserved, please keep this pin open.	-	-	-	-

3.13 NC Interface

The module has some NC pins. There is no signal connected to these pins.

Table 3-16 NC pin

Pin No.	Pin Name	Pad Type	Description	Parameter	Min. (V)	Typ. (V)	Max. (V)
2, 3, 16–27, 33, 37–41, 47, 82–84, 93–99, 103, 111, 117–120	NC	-	Not connected	-	-	-	-

3.14 Test Points Design

In the process of debugging when the module is embedded into the integrated equipment, test points play an important role. Some problems related to the module can be quickly resolved when test points are properly designed.

- The test points below must be designed in the customer board:
 - JTAG test points: it is the most common method of debugging.
 - USB test points: USB is the most important communication channel between module and AP (host). Not only test points should be placed, but also a 0 ohm series resistor should be placed on USB_D+/USB_D- signal. The resistor can be welded off when necessary, then the USB of module is cut off from AP and can be connected to PC to do some analyses.
 - POWER_ON_OFF, RESIN_N: they are some of the most important signals, test points should be placed.
 - UART1: UART1 is used for printing the log information.
 - SD signals: SD signals are used for debugging.
 - VBAT: not only test points should be placed, but also a series magnetic bead should be placed on VBAT signal. The magnetic bead can be welded off when necessary, then the power of module is cut off from customer board and can be connected to external power to do analyses about problems related to power interference.
 - VCC_EXT1: to judge whether the module is powered on or not, just test the VCC_EXT1.
 - PS_HOLD: the pin is only used for debugging, please reserve this pin as the test point.
- The test points below should be placed according to the requirement in the customer board:** SLEEP_STATUS, GPIO, PCM, USIM, UART1, WAKEUP_IN and WAKEUP_OUT, except the two cases below:
 - The corresponding signal is not used.
 - The corresponding signal is used, but there is already another place where this signal can be tested, such as SIM socket pin.

4 RF Specifications

4.1 About This Chapter

This chapter describes the RF specifications of the MU709 module, including:

- Operating Frequencies
- Conducted RF Measurement
- Conducted Rx Sensitivity and Tx Power
- Antenna Design Requirements

4.2 Operating Frequencies

Table 4-1 and Table 4-2 show the RF bands supported by MU709 module.

Table 4-1 RF bands of MU709s-2

Operating Band	Tx	Rx
UMTS Band 1	1920 MHz–1980 MHz	2110 MHz–2170 MHz
UMTS Band 8	880 MHz–915 MHz	925 MHz–960 MHz
GSM 850	824 MHz–849 MHz	869 MHz–894 MHz
GSM 900	880 MHz–915 MHz	925 MHz–960 MHz
GSM 1800	1710 MHz–1785 MHz	1805 MHz–1880 MHz
GSM 1900	1850 MHz–1910 MHz	1930 MHz–1990 MHz

Table 4-2 RF bands of MU709s-6

Operating Band	Tx	Rx
UMTS Band 1	1920 MHz–1980 MHz	2110 MHz–2170 MHz
UMTS Band 2	1850 MHz–1910 MHz	1930 MHz–1990 MHz

Operating Band	Tx	Rx
UMTS Band 5	824 MHz–849 MHz	869 MHz–894 MHz
GSM 850	824 MHz–849 MHz	869 MHz–894 MHz
GSM 900	880 MHz–915 MHz	925 MHz–960 MHz
GSM 1800	1710 MHz–1785 MHz	1805 MHz–1880 MHz
GSM 1900	1850 MHz–1910 MHz	1930 MHz–1990 MHz

4.3 Conducted RF Measurement

4.3.1 Test Environment

Test instrument	R&S CMU200
Power supply	KEITHLEY 2306
RF cable for testing	L08-C014-350 of DRAKA COMTEQ or Rosenberger Cable length: 29 cm



NOTE

- The compensation for different frequency bands relates to the cable and the test environment.
- The instrument compensation needs to be set according to the actual cable conditions.

4.3.2 Test Standards

Huawei modules meet 3GPP test standards. Each module passes strict tests at the factory and thus the quality of the modules is guaranteed.

4.4 Conducted Rx Sensitivity and Tx Power

4.4.1 Conducted Receive Sensitivity

The conducted receive sensitivity is a key parameter that indicates the receiver performance of MU709 module.

Table 4-3 MU709s-2 conducted Rx sensitivity

Band	Test Value (Unit: dBm)	Note
GSM 850	-110.5	BER Class II < 2.44%
GSM 900	-109	BER Class II < 2.44%

Band	Test Value (Unit: dBm)	Note
GSM 1800	-108.5	BER Class II < 2.44%
GSM 1900	-108.5	BER Class II < 2.44%
WCDMA Band 1 Main RX	-110	BER < 0.1%
WCDMA Band 8 Main RX	-111.5	BER < 0.1%

Table 4-4 MU709s-6 conducted Rx sensitivity

Band	Test Value (Unit: dBm)	Note
GSM 850	-110.5	BER Class II < 2.44%
GSM 900	-109	BER Class II < 2.44%
GSM 1800	-108.5	BER Class II < 2.44%
GSM 1900	-108.5	BER Class II < 2.44%
WCDMA Band 1 Main RX	-110	BER < 0.1%
WCDMA Band 2 Main RX	-110.5	BER < 0.1%
WCDMA Band 5 Main RX	-111.5	BER < 0.1%



NOTE

The test values are the average of some test samples.

4.4.2 Conducted Transmit Power

The conducted transmit power is another indicator that measures the performance of MU709. The conducted transmit power refers to the maximum power that the module tested at the antenna pad can transmit. According to the 3GPP protocol, the required transmit power varies with the power class.

Table 4-5 and Table 4-6 list the required ranges of the conducted transmit power of MU709 module.

Table 4-5 MU709s-2 conducted Tx power

Band		Typical Value (Unit: dBm)	Note (Unit: dB)
GSM 850	GMSK(1Tx Slot)	32.5	±1.5
	8PSK(1Tx Slot)	27	±2
GSM 900	GMSK(1Tx Slot)	32.5	±1.5
	8PSK(1Tx Slot)	27	±2
GSM 1800	GMSK(1Tx Slot)	29.5	±1.5

Band		Typical Value (Unit: dBm)	Note (Unit: dB)
	8PSK(1Tx Slot)	26	±2
GSM 1900	GMSK(1Tx Slot)	29.5	±1.5
	8PSK(1Tx Slot)	26	±2
WCDMA Band 1		23.2	±1
WCDMA Band 8		23.2	-1.5/+1

Table 4-6 MU709s-6 conducted Tx power

Band		Typical Value (Unit: dBm)	Note (Unit: dB)
GSM 850	GMSK(1Tx Slot)	32.5	±1.5
	8PSK(1Tx Slot)	27	±2
GSM 900	GMSK(1Tx Slot)	32.5	±1.5
	8PSK(1Tx Slot)	27	±2
GSM 1800	GMSK(1Tx Slot)	29.5	±1.5
	8PSK(1Tx Slot)	26	±2
GSM 1900	GMSK(1Tx Slot)	29.5	±1.5
	8PSK(1Tx Slot)	26	±2
WCDMA Band 1		23.2	±1
WCDMA Band 2		23.2	±1
WCDMA Band 5		23.4	-1.5/+1

4.5 Antenna Design Requirements

4.5.1 Antenna Design Indicators

Antenna Efficiency

Antenna efficiency is the ratio of the input power to the radiated or received power of an antenna. The radiated power of an antenna is always lower than the input power due to the following antenna losses: return loss, material loss, and coupling loss. The efficiency of an antenna relates to its electrical dimensions. To be specific, the antenna efficiency increases with the electrical dimensions. In addition, the transmission line from the antenna port of MU709 to the antenna is also part of the antenna. The line loss increases with the line length and the frequency. It is recommended that the line loss is as low as possible.

The following antenna efficiency (free space) is recommended for MU709 to ensure high radio performance of the module:

- **Efficiency of the primary antenna: $\geq 40\%$ (below 960 MHz); $\geq 50\%$ (over 1710 MHz)**
- **Efficiency of the diversity antenna: \geq half of the efficiency of the primary antenna in receiving band**

In addition, the efficiency should be tested with the transmission line.

S11(VSWR) and S21

S11 indicates the degree to which the input impedance of an antenna matches the reference impedance (50Ω). S11 shows the resonance feature and impedance bandwidth of an antenna. Voltage Standing Wave Ratio (VSWR) is another expression of S11. S11 relates to the antenna efficiency. S11 can be measured with a vector analyzer.

The following S11 values are recommended for the antenna of the module:

- S11 of the primary antenna ≤ -6 dB
- S11 of the diversity antenna ≤ -6 dB

In addition, S11 is less important than the efficiency, and S11 has weak correlation to wireless performance.

S21 indicates the isolation between two antennas.

Isolation

For a wireless device with multiple antennas, the power of different antennas is coupled with each other. Antenna isolation is used to measure the power coupling. The power radiated by an antenna might be received by an adjacent antenna, which decreases the antenna radiation efficiency and affects the running of other devices. To avoid this problem, evaluate the antenna isolation as sufficiently as possible at the early stage of antenna design.

Antenna isolation depends on the following factors:

- Distance between antennas
- Antenna type
- Antenna direction

The primary antenna must be placed as near as possible to the module to minimize the line length. The diversity antenna needs to be installed perpendicularly to the primary antenna. The diversity antenna can be placed farther away from the module. Antenna isolation can be measured with a two-port vector network analyzer.

The following antenna isolation is recommended for the antennas:

- Isolation between the primary and diversity antennas ≤ -12 dB
- Isolation between the primary (diversity) antenna and the Wi-Fi antenna ≤ -15 dB

Polarization

The polarization of an antenna is the orientation of the electric field vector that rotates with time in the direction of maximum radiation.

The linear polarization is recommended for the antenna of MU709.

Radiation Pattern

The radiation pattern of an antenna reflects the radiation features of the antenna in the remote field region. The radiation pattern of an antenna commonly describes the power or field strength of the radiated electromagnetic waves in various directions from the antenna. The power or field strength varies with the angular coordinates (θ and ϕ), but is independent of the radial coordinates.

The radiation pattern of half wave dipole antennas is omnidirectional in the horizontal plane, and the incident waves of base stations are often in the horizontal plane. For this reason, the receiving performance is optimal.

The following radiation patterns are recommended for the antenna of MU709.

Primary/diversity antenna: omnidirectional

In addition, the diversity antenna's pattern should be complementary with the primary antenna's pattern.

Envelope Correlation Coefficient

ECC is short for Envelope Correlation Coefficient. It is the cross-correlation value of the complex patterns of the master and diversity antenna. It indicates how similar the magnitude and the phase patterns of the two antennas are. If two antennas have no similarity, the ECC should be zero. Actually, the less ECC, the better diversity performance.

The following ECC is recommended for MU709 LGA module.

- $ECC \leq 0.5$ (working frequency below 0.96 GHz)
- $ECC \leq 0.3$ (working frequency above 1.4 GHz)

Gain and Directivity

The radiation pattern of an antenna represents the field strength of the radiated electromagnetic waves in all directions, but not the power density that the antenna radiates in the specific direction. The directivity of an antenna, however, measures the power density that the antenna radiates.

Gain, as another important parameter of antennas, correlates closely to the directivity. The gain of an antenna takes both the directivity and the efficiency of the antenna into account. The appropriate antenna gain prolongs the service life of relevant batteries.

The following antenna gain is recommended for MU709. **Gain of the primary/diversity antenna ≤ 2.5 dBi**

NOTE

- The antenna consists of the antenna body and the relevant RF transmission line. Take the RF transmission line into account when measuring any of the preceding antenna indicators.
- Huawei cooperates with various famous antenna suppliers who are able to make suggestions on antenna design, for example, Amphenol, Skycross, etc.

4.5.2 Interference

Besides the antenna performance, the interference on the user board also affects the radio performance (especially the TIS) of the module. To guarantee high performance of the module, the interference sources on the user board must be properly controlled.

On the user board, there are various interference sources, such as the LCD, CPU, audio circuits, and power supply. All the interference sources emit interference signals that affect the normal operation of the module. For example, the module sensitivity can be decreased due to interference signals. Therefore, during the design, you need to consider how to reduce the effects of interference sources on the module. You can take the following measures: Use an LCD with optimized performance; shield the LCD interference signals; shield the signal cable of the board; or design filter circuits.

Huawei is able to make technical suggestions on radio performance improvement of the module.

4.5.3 Antenna Requirements

The antenna for MU709 module must fulfill the following requirements:

Table 4-7 MU709s-2 module antenna requirements

GSM/WCDMA Antenna Requirements	
Frequency range	Depending on frequency band(s) provided by the network operator, the customer must use the most suitable antenna for that/those band(s)
Bandwidth of primary antenna	70 MHz in GSM 850 80 MHz in GSM 900 170 MHz in GSM 1800 140 MHz in GSM 1900 80 MHz in WCDMA Band 8 250 MHz in WCDMA Band 1
Bandwidth of secondary antenna	35 MHz in WCDMA Band 8 60 MHz in WCDMA Band 1
Gain	≤ 2.5 dBi
Impedance	50 Ω
VSWR absolute max	≤ 3:1
VSWR recommended	≤ 2:1

Table 4-8 MU709s-6 module antenna requirements

GSM/WCDMA Antenna Requirements	
Frequency range	Depending on frequency band(s) provided by the network operator, the customer must use the most suitable antenna for that/those band(s)
Bandwidth of primary antenna	70 MHz in GSM 850 80 MHz in GSM 900 170 MHz in GSM 1800 140 MHz in GSM 1900 70 MHz in WCDMA Band 5 140 MHz in WCDMA Band 2 250 MHz in WCDMA Band 1
Bandwidth of secondary antenna	25 MHz in WCDMA Band 5 60 MHz in WCDMA Band 2 60 MHz in WCDMA Band 1
Gain	≤ 2.5 dBi
Impedance	50 Ω
VSWR absolute max	$\leq 3:1$
VSWR recommended	$\leq 2:1$

5 Electrical and Reliability Features

5.1 About This Chapter

This chapter describes the electrical and reliability features in the MU709 module, including:

- Absolute Ratings
- Operating and Storage Temperatures
- Power Supply Features
- Reliability Features
- EMC and ESD Features

5.2 Absolute Ratings



WARNING

Table 5-1 lists the absolute ratings for the MU709 module. Using the MU709 module beyond these conditions may result in permanent damage to the module.

Table 5-1 Absolute ratings

Symbol	Specification	Min.	Max.	Unit
VBAT	External power voltage	-0.3	4.5	V
VI	Digital input voltage	-0.3	2.3	V

5.3 Operating and Storage Temperatures and Humidity

Table 5-2 lists the operating and storage temperatures for the MU709 module.

Table 5-2 Operating and storage temperatures

Specification	Min.	Max.	Unit
Normal working temperature	-20	+70	°C
Extended temperature ^[1]	-40	+85	°C
Storage temperature	-40	+85	°C
Humidity	5	95	%



NOTE

[1]: When the MU709 module works in the range from -40°C to -20°C or +70°C to +85°C, **NOT** all their RF performances comply with 3GPP specifications.

5.4 Power Supply Features

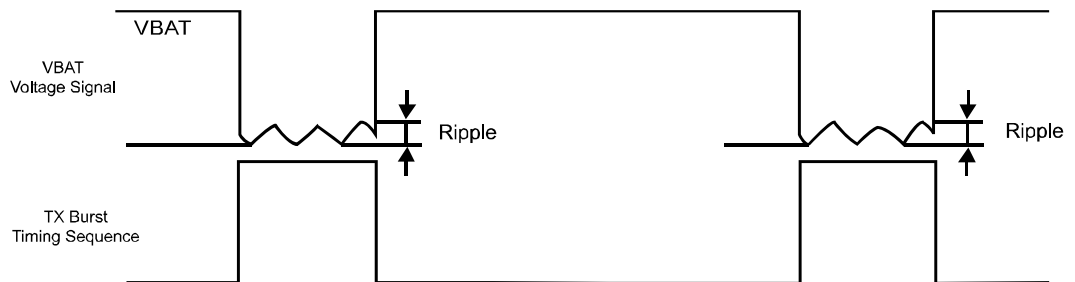
5.4.1 Input Power Supply

Table 5-3 lists the requirements for input power of the MU709 module.

Table 5-3 Requirements for input power

Parameter	Min.	Typ.	Max.	Ripple	Unit
VBAT	3.3	3.8	4.2	0.1	V

Figure 5-1 Power Supply During Burst Emission



NOTE

The VBAT minimum value must be guaranteed during the burst (with 2.75 A Peak in GPRS or GSM mode).

Table 5-4 Requirements for input current

Power	Peak (Maximum)	Normal (Maximum)
VBAT	2750 mA	1100 mA

5.4.2 Power Consumption

The power consumption in different scenarios are respectively listed in Table 5-5 to Table 5-9 .

The power consumption listed in this section is tested when the power supply is normal voltage (3.8 V) and all of Test values are measured at room temperature.

Table 5-5 Averaged power off DC power consumption

Description	Test Value (Unit: μ A)	Notes/Configuration
	Typical	
Power off	30	Normal voltage (3.8 V) is ON while power on event is not triggered.

Table 5-6 Averaged standby DC power consumption

Description		Bands	Test Value (Unit: mA)	Notes/Configuration
			Typical	
Sleep	HSPA/WCDMA	UMTS bands	2.7	Module is powered up DRX cycle=7 (1.28s) Module is registered on the network. USB is in suspend.
	GPRS/EDGE	GSM bands	2.4	Module is powered up MFRMS=5 (1.175s) Module is registered on the network. USB is in suspend.
Idle	HSPA/WCDMA	UMTS bands	50	Module is powered up DRX cycle=7 (1.28s) Module is registered on the network, no data is transmitted USB is in active.
	GPRS/EDGE	GSM bands	50	Module is powered up MFRMS=5 (1.175s) Module is registered on the network. no data is transmitted USB is in active.

Table 5-7 Averaged Data Transmission DC power consumption of MU709s-2 (HSPA/WCDMA)

Description	Band	Test Value (Unit: mA)	Notes/Configuration
WCDMA	Band 1 (IMT 2100)	210	0 dBm Tx Power
		270	10 dBm Tx Power
		590	23.5 dBm Tx Power
	Band 8 (900 MHz)	220	0 dBm Tx Power
		280	10 dBm Tx Power
		610	23.5dBm Tx Power
HSPA	Band 1 (IMT 2100)	230	0 dBm Tx Power
		300	10 dBm Tx Power
		610	23.5 dBm Tx Power
	Band 8 (900 MHz)	230	0 dBm Tx Power
		300	10 dBm Tx Power
		620	23.5 dBm Tx Power

Table 5-8 Averaged Data Transmission DC power consumption of MU709s-6 (HSPA/WCDMA)

Description	Band	Test Value (Unit: mA)	Notes/Configuration
WCDMA	Band 1 (IMT 2100)	192	0 dBm Tx Power
		228	10 dBm Tx Power
		557	23.5 dBm Tx Power
	Band 2 (1900 MHz)	189	0 dBm Tx Power
		233	10 dBm Tx Power
		600	23.5 dBm Tx Power
	Band 5 (850 MHz)	188	0 dBm Tx Power
		211	10 dBm Tx Power
		521	23.5 dBm Tx Power
HSPA	Band 1 (IMT 2100)	201	0 dBm Tx Power
		235	10 dBm Tx Power
		577	23.5 dBm Tx Power

Description	Band	Test Value (Unit: mA)	Notes/Configuration
	Band 2 (1900 MHz)	192	0 dBm Tx Power
		241	10 dBm Tx Power
		607	23.5 dBm Tx Power
	Band 5 (850 MHz)	191	0 dBm Tx Power
		223	10 dBm Tx Power
		542	23.5 dBm Tx Power

Table 5-9 Averaged DC power consumption of MU709 module (GPRS/EDGE)

Description	Test Value	Units	PCL	Configuration
GPRS 850	270	mA	5	1 Up/1 Down
	400			2 Up/1 Down
	550			4 Up/1 Down
	170	mA	10	1 Up/1 Down
	200			2 Up/1 Down
	300			4 Up/1 Down
GPRS 900	260	mA	5	1 Up/1 Down
	370			2 Up/1 Down
	520			4 Up/1 Down
	160	mA	10	1 Up/1 Down
	200			2 Up/1 Down
	280			4 Up/1 Down
GPRS 1800	220	mA	0	1 Up/1 Down
	300			2 Up/1 Down
	400			4 Up/1 Down
	150	mA	10	1 Up/1 Down
	180			2 Up/1 Down
	240			4 Up/1 Down
GPRS 1900	210	mA	0	1 Up/1 Down
	310			2 Up/1 Down



Description	Test Value	Units	PCL	Configuration
	400			4 Up/1 Down
	150	mA	10	1 Up/1 Down
	180			2 Up/1 Down
	250			4 Up/1 Down
EDGE 850	220	mA	8	1 Up/1 Down
	300			2 Up/1 Down
	420			4 Up/1 Down
	170	mA	15	1 Up/1 Down
	200			2 Up/1 Down
	290			4 Up/1 Down
EDGE 900	220	mA	8	1 Up/1 Down
	290			2 Up/1 Down
	420			4 Up/1 Down
	170	mA	15	1 Up/1 Down
	200			2 Up/1 Down
	280			4 Up/1 Down
EDGE 1800	200	mA	2	1 Up/1 Down
	260			2 Up/1 Down
	360			4 Up/1 Down
	180	mA	10	1 Up/1 Down
	230			2 Up/1 Down
	340			4 Up/1 Down
EDGE 1900	200	mA	2	1 Up/1 Down
	250			2 Up/1 Down
	360			4 Up/1 Down
	180	mA	10	1 Up/1 Down
	240			2 Up/1 Down
	340			4 Up/1 Down

 **NOTE**

- All power consumption test configuration can be referenced by GSM Association Official Document TS.09: Battery Life Measurement and Current Consumption Technique.
- Test condition: For Max. Tx. power, see 4.4.2 Conducted Transmit Power, which are listed in Table 4-5 , for Max. data throughput, see 2.2 Function Overview, which are listed in Table 2-1 .

5.5 Reliability Features


Table 5-10 lists the test conditions and results of the reliability of the MU709 module.

Table 5-10 Test conditions and results of the reliability of the MU709 module

Item		Test Condition	Standard	Sample size	Results
Stress	Low-temperature storage	<ul style="list-style-type: none"> • Temperature: -40°C • Operation mode: no power, no package • Test duration: 24 h 	JESD22-A1 19-C	3 pcs/group	Visual inspection: ok Function test: ok RF specification: ok
	High-temperature storage	<ul style="list-style-type: none"> • Temperature: 85°C • Operation mode: no power, no package • Test duration: 24 h 	JESD22-A1 03-C	3 pcs/group	Visual inspection: ok Function test: ok RF specification: ok
	Low-temperature operating	<ul style="list-style-type: none"> • Temperature: -40°C • Operation mode: working with service connected • Test duration: 24 h 	IEC60068-2-1	3 pcs/group	Visual inspection: ok Function test: ok RF specification: ok
	High-temperature operating	<ul style="list-style-type: none"> • Temperature: 85°C • Operation mode: working with service connected • Test duration: 24 h 	JESD22-A1 08-C	3 pcs/group	Visual inspection: ok Function test: ok RF specification: ok
	Temperature cycle operating	<ul style="list-style-type: none"> • High temperature: 85°C • Low temperature: -40°C • Operation mode: working with service connected • Test duration: 30 cycles; 1 h+1 h/cycle 	JESD22-A1 05-B	3 pcs/group	Visual inspection: ok Function test: ok RF specification: ok
	Damp heat cycling	<ul style="list-style-type: none"> • High temperature: 55°C • Low temperature: 25°C • Humidity: 95%±3% • Operation mode: working with service connected • Test duration: 6 cycles; 12 h+12 h/cycle 	JESD22-A1 01-B	3 pcs/group	Visual inspection: ok Function test: ok RF specification: ok



Item	Test Condition	Standard	Sample size	Results
Thermal shock	<ul style="list-style-type: none">• Low temperature: -40°C• High temperature: 85°C• Temperature change interval: < 20s• Operation mode: no power• Test duration: 100 cycles; 15 min+15 min/cycle	JESD22-A106-B	3 pcs/group	Visual inspection: ok Function test: ok RF specification: ok
Salty fog test	<ul style="list-style-type: none">• Temperature: 35°C• Density of the NaCl solution: 5%±1%• Operation mode: no power, no package• Test duration: Spraying interval: 8 h Exposing period after removing the salty fog environment: 16 h	JESD22-A107-B	3 pcs/group	Visual inspection: ok Function test: ok RF specification: ok
Sine vibration	<ul style="list-style-type: none">• Frequency range: 5 Hz to 200 Hz• Acceleration: 1 Grms• Frequency scan rate: 0.5 oct/min• Operation mode: working with service connected• Test duration: 3 axial directions. 2 h for each axial direction.	JESD22-B103-B	3 pcs/group	Visual inspection: ok Function test: ok RF specification: ok
Shock test	<ul style="list-style-type: none">• Half-sine wave shock• Peak acceleration: 30 Grms• Shock duration: 11 ms• Operation mode: working with service connected• Test duration: 6 axial directions. 3 shocks for each axial direction.	JESD-B104-C	3 pcs/group	Visual inspection: ok Function test: ok RF specification: ok

Item		Test Condition	Standard	Sample size	Results
	Drop test	<ul style="list-style-type: none"> 0.8 m in height. Drop the module on the marble terrace with one surface facing downwards, six surfaces should be tested. Operation mode: no power, no package 	IEC60068-2-32	3 pcs/group	Visual inspection: ok Function test: ok RF specification: ok
Life	High temperature operating life	<ul style="list-style-type: none"> Temperature: 85°C Operation mode: working with service connected Test duration: 168 h, 336 h, 500 h, 1000 h for inspection point 	JESD22-A108-B	50 pcs/group	Visual inspection: ok Function test: ok RF specification: ok
	High temperature & high humidity	<ul style="list-style-type: none"> High temperature: 85°C Humidity: 85% Operation mode: powered on and no working Test duration: 168 h, 336 h, 500 h, 1000 h for inspection point 	JESD22-A110-B	50 pcs/group	Visual inspection: ok Function test: ok RF specification: ok
	Temperature cycle-Non operating	<ul style="list-style-type: none"> High temperature: 85°C Low temperature: -40°C Temperature change slope: 6°C/min Operation mode: no power Test duration: 168 h, 336 h, 500 h, 1000 h for inspection point 	JESD22-A104-C	50 pcs/group	Visual inspection: ok Function test: ok RF specification: ok
ESD	HBM (Human Body Model)	<ul style="list-style-type: none"> 2 kV (Class 1 B) Operation mode: no power 	JESD22-A114-D	3 pcs/group	Visual inspection: ok Function test: ok RF specification: ok
	ESD with DVK (or embedded in the host)	<ul style="list-style-type: none"> Contact Voltage: ±2 kV, ±4 kV Air Voltage: ±2 kV, ±4 kV, ±8 kV Operation mode: working with service connected 	IEC61000-4-2	2 pcs	Visual inspection: ok Function test: ok RF specification: ok
 NOTE Groups ≥ 2					

5.6 EMC and ESD Features

The following are the EMC design comments:

- Attention should be paid to static control in the manufacture, assembly, packaging, handling and storage process to reduce electrostatic damage to HUAWEI module.
- RSE (Radiated Spurious Emission) may exceed the limit defined by EN301489 if the antenna port is protected by TVS (Transient Voltage Suppressor), which is resolved by making some adjustment on RF match circuit.
- TVS should be added on the USB port for ESD protection, and the parasitic capacitance of TVS on D+/D- signal should be less than 2 pF. Common-mode inductor should be added in parallel on D+/D- signal.
- TVS should be added on the USIM interface for ESD protection. The parasitic capacitance of TVS on USIM signal should be less than 10 pF;
- Resistors in parallel and a 10nF capacitance should be added on RESIN_N and POWER_ON_OFF signal to avoid shaking, and the distance between the capacitor and the related pins should be less than 100 mil.
- A TVS should be added to the module power supply. It is recommended that the TVS's Clamping Voltage (V_{CL}) be smaller than 12 V and Peak Pulse Power (P_{PP}) at least 100 W.
- PCB routing should be V-type rather than T-type for TVS (Transient Voltage Suppressor).
- An integrated ground plane is necessary for EMC design.

The following are the requirements of ESD environment control:

- The electrostatic discharge protected area (EPA) must have an ESD floor whose surface resistance and system resistance are greater than $1 \times 10^4 \Omega$ while less than $1 \times 10^9 \Omega$.
- The EPA must have a sound ground system without loose ground wires, and the ground resistance must be less than 4 Ω .
- The workbench for handling ESD sensitive components must be equipped with common ground points, the wrist strap jack, and ESD pad. The resistance between the jack and common ground point must be less than 4 Ω . The surface resistance and system resistance of the ESD pad must be less than $1 \times 10^9 \Omega$.
- The EPA must use the ESD two-circuit wrist strap, and the wrist strap must be connected to the dedicated jack. The crocodile clip must not be connected to the ground.
- The ESD sensitive components, the processing equipment, test equipment, tools, and devices must be connected to the ground properly. The indexes are as follows:
 - Hard ground resistance < 4 Ω
 - $1 \times 10^5 \Omega \leq$ Soft ground resistance < $1 \times 10^9 \Omega$
 - $1 \times 10^5 \Omega \leq$ ICT fixture soft ground resistance < $1 \times 10^{11} \Omega$
 - The electronic screwdriver and electronic soldering iron can be easily oxidized. Their ground resistance must be less than 20 Ω .
- The parts of the equipment, devices, and tools that touch the ESD sensitive components and moving parts that are close to the ESD sensitive components must be made of ESD materials and have sound ground connection. The parts

that are not made of ESD materials must be handled with ESD treatment, such as painting the ESD coating or ionization treatment (check that the friction voltage is less than 100 V).

- Key parts in the production equipment (parts that touch the ESD sensitive components or parts that are within 30 cm away from the ESD sensitive components), including the conveyor belt, conveyor chain, guide wheel, and SMT nozzle, must all be made of ESD materials and be connected to the ground properly (check that the friction voltage is less than 100 V).
- Engineers that touch IC chips, boards, modules, and other ESD sensitive components and assemblies must wear ESD wrist straps, ESD gloves, or ESD finger cots properly. Engineers that sit when handling the components must all wear ESD wrist straps.
- Noticeable ESD warning signs must be attached to the packages and placement areas of ESD sensitive components and assemblies.
- Boards and IC chips must not be stacked randomly or be placed with other ESD components.
- Effective shielding measures must be taken on the ESD sensitive materials that are transported or stored outside the EPA.

**NOTE**

HUAWEI MU709 module does not include any protection against overvoltage.

6 Mechanical Specifications

6.1 About This Chapter

This chapter describes the process design and mechanical specifications:

- Storage Requirement
- Moisture Sensitivity
- Dimensions and Interfaces
- Packaging
- Customer PCB Design
- Thermal Design Solution
- Assembly Processes
- Rework

6.2 Storage Requirement

The module must be stored and sealed properly in vacuum package under a temperature below 40°C and the relative humidity less than 90% in order to ensure the weldability within 12 months.

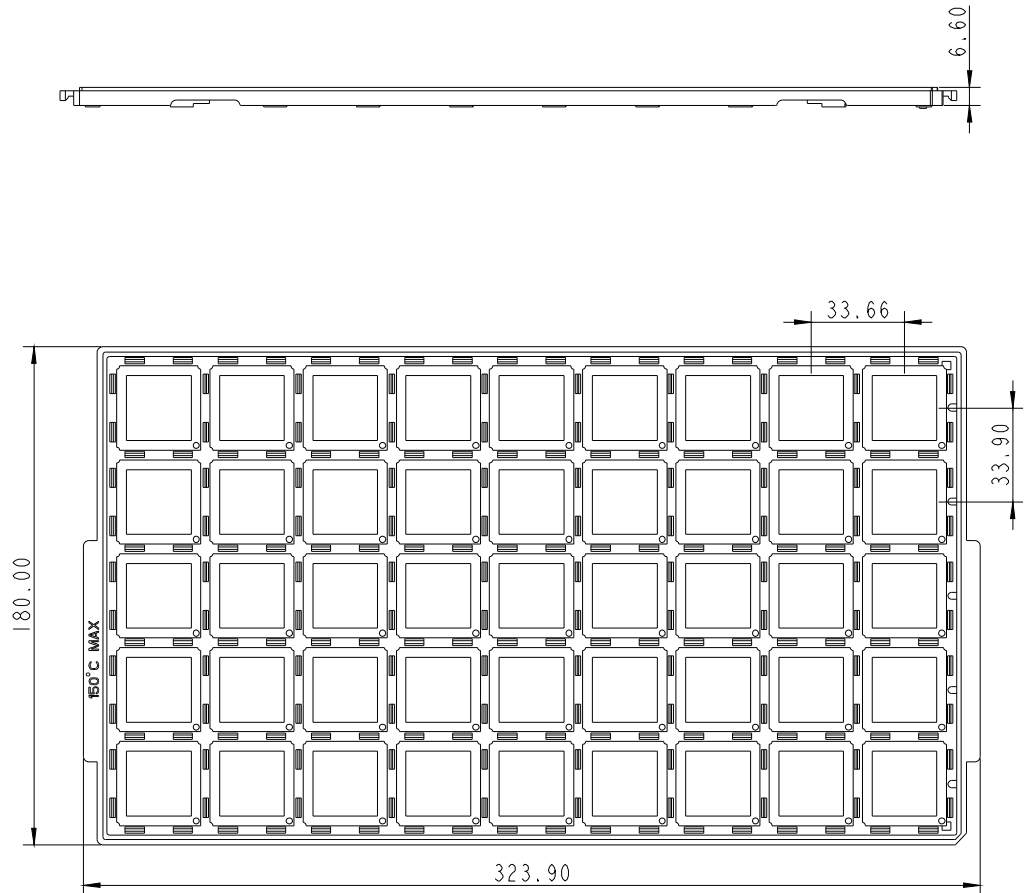
6.3 Moisture Sensitivity

- The moisture sensitivity is level 3.
- After unpacking, the module must be assembled within 168 hours under the environmental conditions that the temperature is lower than 30°C and the relative humidity is less than 60%. If the preceding conditions cannot be met, the module needs to be baked according to the parameters specified in Table 6-1 .

Table 6-1 Baking parameters

Baking Temperature	Baking Condition	Baking Duration	Remarks
125°C±5°C	Relative humidity ≤ 60%	8 hours	-

Figure 6-2 ESD pallet (unit: mm)



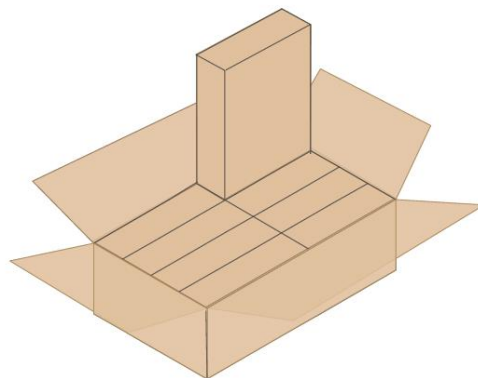
The following figure shows the packaging.



Module quantity per tray:
 $5 \times 9 = 45$ pcs/tray



Use vacuum packages;
five trays per carton;
module quantity per carton:
 $5 \times 45 = 225$ pcs/carton



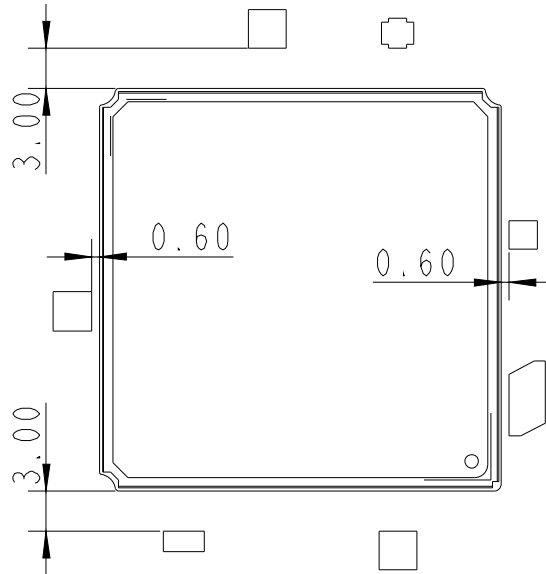
8 middle cartons per large carton;
Module quantity per large carton:
 $225 \times 8 = 1800$ pcs/carton.

6.6 Customer PCB Design

6.6.1 PCB Surface Finish

The PCB surface finish recommended is Electroless Nickel Immersion Gold (ENIG). Organic Solderability Preservative (OSP) may also be used, ENIG preferred.

Figure 6-4 PCB Layout (Unit: mm)



6.7 Thermal Design Solution

When the module works in the maximum power condition, the module has high power consumption (for details, see Power Consumption). To improve the module reliability and stability, focus on the thermal design of the device to speed up heat dissipation. For thermal characteristics of the MU709 module, you can refer to Operating and Storage Temperatures.

Take the following heat dissipation measures:

- The copper size on the PCB should be 70 mm x 70 mm or larger.
- All copper ground layers of the PCB must be connected to each other through via-holes.
- Increase the quantity of the PCB ground planes.
- The ground planes should be as continuous as possible.
- If a fan is deployed, place the module at the cold air inlet.
- Use heat sink, thermal conductive material and product enclosure to enhance the heat dissipation of the module.
 - Use anodized heat sink on the shielding case or the customer PCB on bottom side for optimal heat dissipation. The recommended heat sink dimensions are 70 mm x 70 mm x1 mm or larger.
 - The material of the heat sink should adopt the higher thermal conductivity metallic materials, e.g. Al or Cu.
 - The recommended thermal conductivity of the thermal conductive material is 1.0 W/m-k or higher (recommended manufacturers: Laird or Bergquist).
 - Conductive material should obey the following rule: after the heat sink is fastened to the shielding case, the compression amount of the thermal conductive material accounts for 15% to 30% of the thermal conductive material size.

- Conductive material should be as thin as possible.
- The recommended material of the enclosure is metallic materials, especially you can add pin fin on the enclosure surface.
- If the heat sink is installed above the shielding case, you should attach the thermal conductive material between the shielding case and the heat sink; if the heat sink is installed below the bottom side of the customer PCB, you should attach the thermal conductive material between the customer PCB and the heat sink, as shown in Figure 6-5 and Figure 6-6 . Preferably, we recommend the heat sink be installed below the bottom side of the customer PCB.
- Use more pin fins to enlarge heat dissipation area.

Figure 6-5 Adding heat sink to the module for optimal heat dissipation

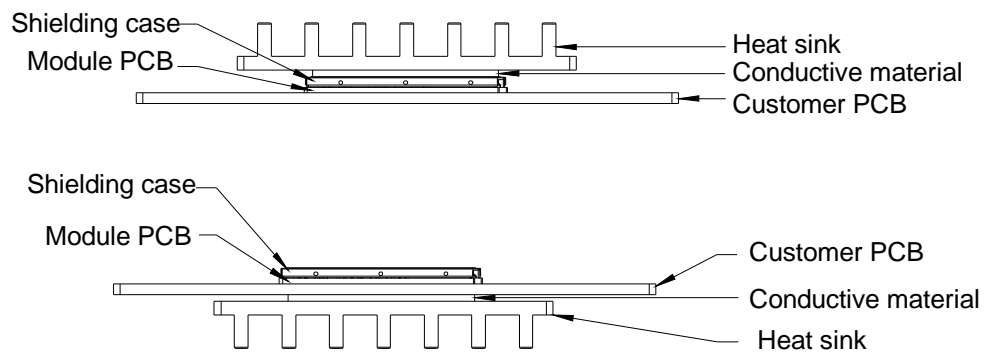
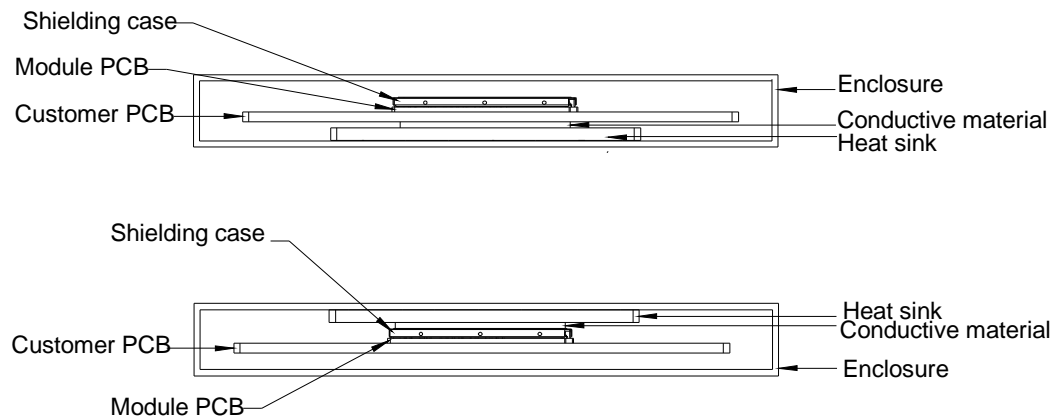


Figure 6-6 Adding enclosure to enhance the heat dissipation of the module



6.8 Assembly Processes

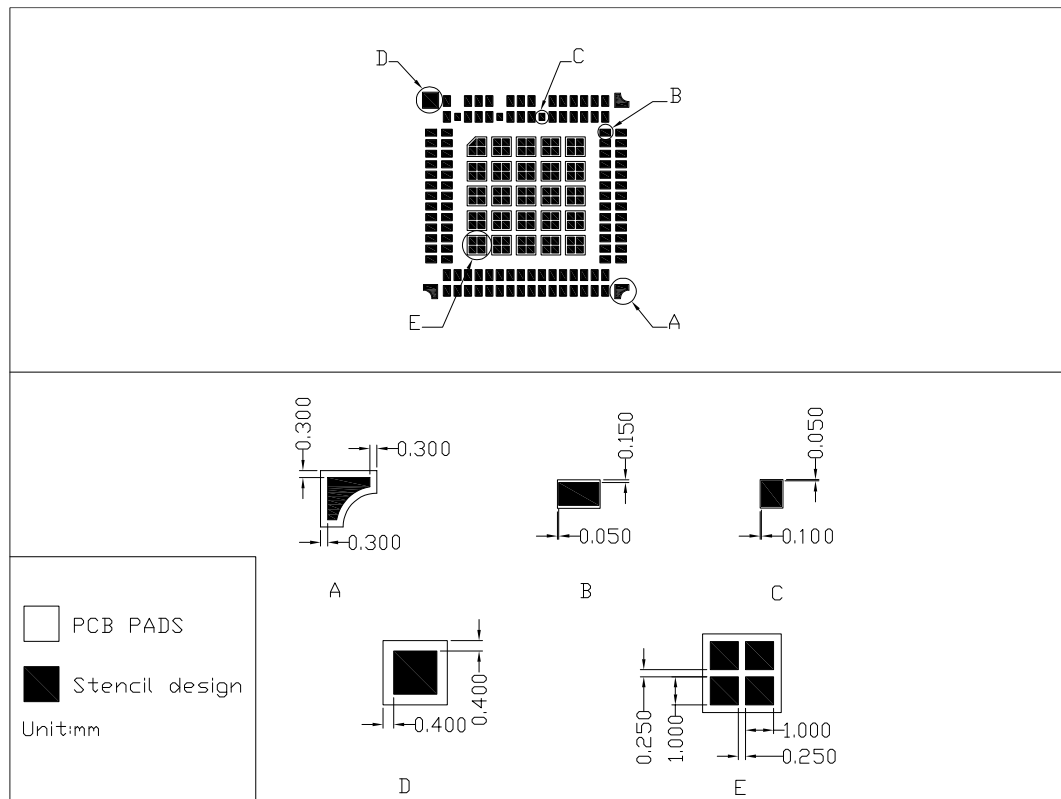
6.8.1 Overview

- Tray modules are required at SMT lines, because LGA modules are placed on ESD pallets.
- Reflow ovens with at least seven temperature zones are recommended.
- Use reflow ovens or rework stations for soldering, because LGA modules have large solder pads and cannot be soldered manually.

6.8.2 Stencil Design

It is recommended that the stencil for the LGA module be 0.15 mm in thickness. For the stencil design, see the following figure:

Figure 6-7 Recommended stencil design of LGA module (unit: mm)



NOTE

The stencil design has been qualified for HUAWEI motherboard assembly, customers can adjust the parameters by their motherboard design and process situation to assure LGA soldering quality and no defect.

6.8.3 Reflow Profile

The LGA module must be reflowed on the top side of customer's development board. For the soldering temperature of the LGA module, see the following figure.

Figure 6-8 Reflow profile

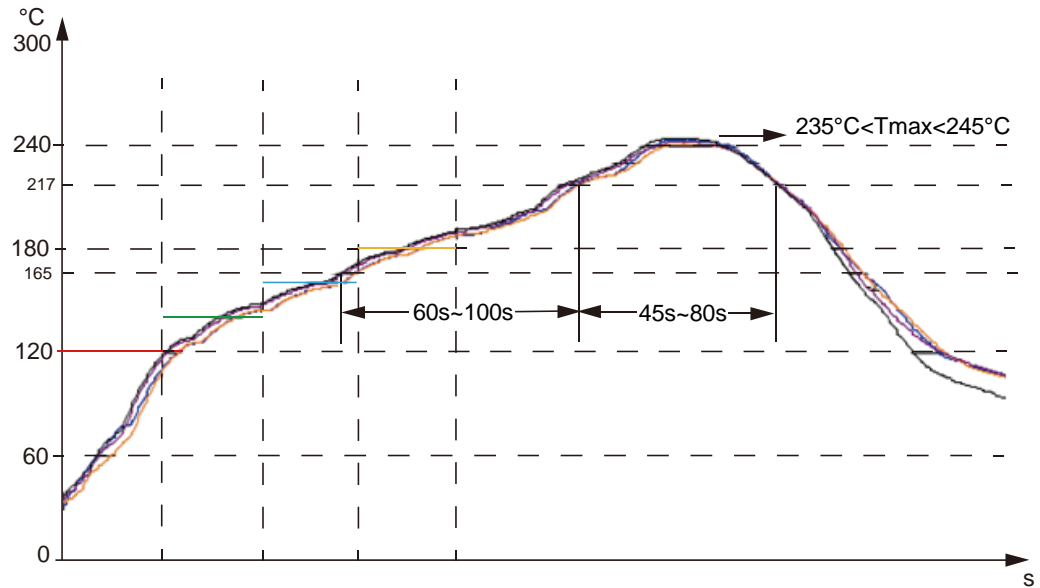
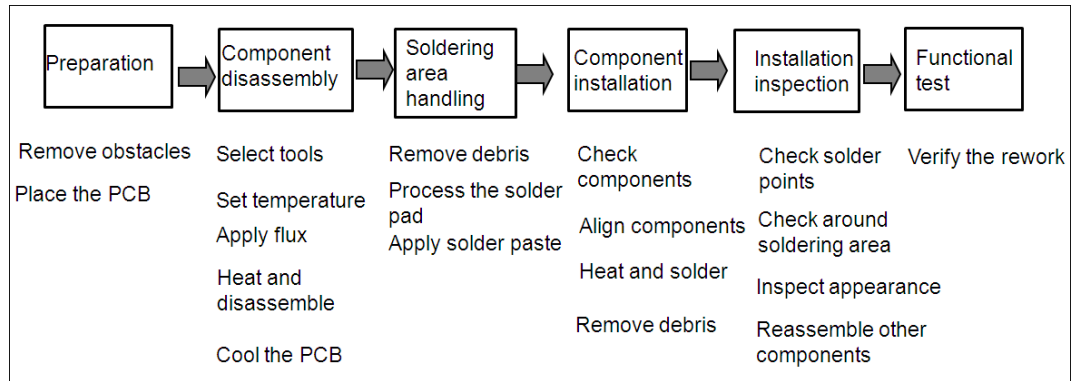


Table 6-2 Reflow parameters

Temperature Zone	Time	Key Parameter
Preheat zone (40°C–165°C)	-	Heating rate: 0.5°C/s–2°C/s
Soak zone (165°C–217°C)	(t1–t2): 60s–100s	-
Reflow zone (> 217°C)	(t3–t4): 45s–80s	Peak reflow temperature: 235°C–245°C
Cooling zone	Cooling rate: 2°C/s ≤ Slope ≤ 5°C/s	

6.9 Rework

6.9.1 Process of Rework



6.9.2 Preparations of Rework

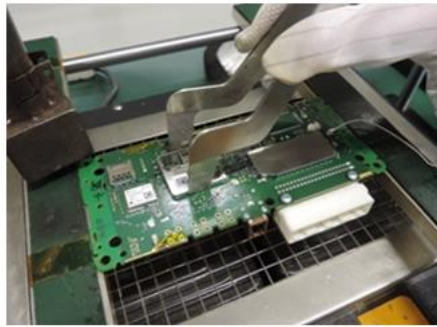
- Remove barrier or devices that can't stand high temperature before rework.
- If the device to be reworked is beyond the storage period, bake the device according to Table 6-1 .

6.9.3 Removing of the Module

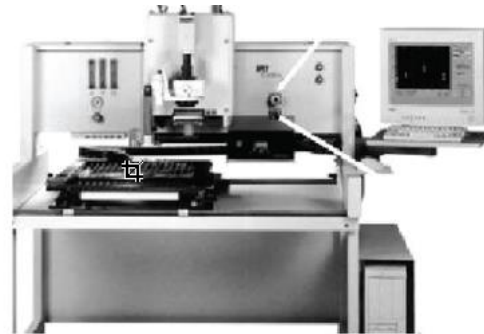
The solder is molten and reflowed through heating during the module removing process. The heating rate must be quick but controllable in order to melt all the solder joints simultaneously. Pay attention to protect the module, PCB, neighboring devices, and their solder joints against heating or mechanical damages.

NOTE

- The LGA module has many solder pads and the pads are large. Therefore, common soldering irons and heat guns cannot be used in the rework. Rework must be done using either infrared heating rework stations or hot air rework stations. Infrared heating rework stations are preferred, because they can heat components without touching them. In addition, infrared heating rework stations produce less solder debris and less impact on modules, while hot air rework stations may cause shift of other components not to be reworked.
- You must not reuse the module after disassembly from PCB during rework.
- It is proposed that a special clamp is used to remove the module.

Figure 6-9 Equipment used for rework

Remove the module by a special clamp



Hot air rework station

6.9.4 Welding Area Treatment

- Step 1 Remove the old solder by using a soldering iron and solder braid that can wet the solder.
- Step 2 Clean the pad and remove the flux residuals.
- Step 3 Solder pre-filling: Before the module is installed on a board, apply some solder paste to the pad of the module by using the rework fixture and stencil or apply some solder paste to the pad on the PCB by using a rework stencil.

**NOTE**

It is recommended that a fixture and a mini-stencil be made to apply the solder paste in the rework.

6.9.5 Module Installation

Install the module precisely on the motherboard and ensure the right installation direction of the module and the reliability of the electrical connection with the PCB. It is recommended that the module be preheated in order to ensure that the temperature of all parts to be soldered is uniform during the reflow process. The solder quickly reflows upon heating so the parts are soldered reliably. The solder joints undergo proper reflow duration at a preset temperature to form a favorable Inter-metallic Compound (IMC).

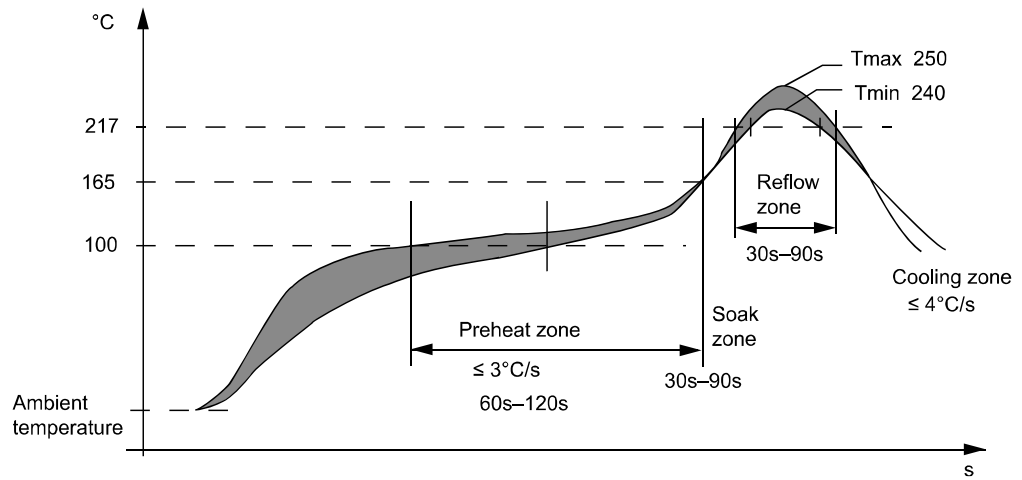
**NOTE**

- It is recommended that a special clamp be used to pick the module when the module is installed on the pad after applied with some solder.
- A special rework device must be used for the rework.

6.9.6 Specifications of Rework

Temperature parameter of rework: for either the removing or welding of the module, the heating rate during the rework must be equal to or smaller than 3°C/s, and the peak temperature between 240°C–250°C. The following parameters are recommended during the rework.

Figure 6-10 Temperature graph of rework



7 Certifications

7.1 About This Chapter

This chapter gives a general description of certifications of the MU709 module.

7.2 Certifications

**NOTE**

Table 7-1 shows certifications of the MU709 module have been implemented. For more demands, please contact us for more details about this information.

Table 7-1 Product Certifications

Certification	Model name	
	MU709s-2	MU709s-6
CE	√	√
RoHS	√	√
CCC	√	-
GCF	√	√
WEEE	√	√
FCC	-	√
PTCRB	-	√
Anatel	-	√
A-tick	-	√
NCC	√	-

8 Safety Information

Read the safety information carefully to ensure the correct and safe use of your wireless device. Applicable safety information must be observed.

8.1 Interference

Power off your wireless device if using the device is prohibited. Do not use the wireless device when it causes danger or interference with electric devices.

8.2 Medical Device

- Power off your wireless device and follow the rules and regulations set forth by the hospitals and health care facilities.
- Some wireless devices may affect the performance of the hearing aids. For any such problems, consult your service provider.
- Pacemaker manufacturers recommend that a minimum distance of 15 cm be maintained between the wireless device and a pacemaker to prevent potential interference with the pacemaker. If you are using an electronic medical device, consult the doctor or device manufacturer to confirm whether the radio wave affects the operation of this device.

8.3 Area with Inflammables and Explosives

To prevent explosions and fires in areas that are stored with inflammable and explosive devices, power off your wireless device and observe the rules. Areas stored with inflammables and explosives include but are not limited to the following:

- Gas station
- Fuel depot (such as the bunk below the deck of a ship)
- Container/Vehicle for storing or transporting fuels or chemical products
- Area where the air contains chemical substances and particles (such as granule, dust, or metal powder)
- Area indicated with the "Explosives" sign

- Area indicated with the "Power off bi-direction wireless equipment" sign
- Area where you are generally suggested to stop the engine of a vehicle

8.4 Traffic Security

- Observe local laws and regulations while using the wireless device. To prevent accidents, do not use your wireless device while driving.
- RF signals may affect electronic systems of motor vehicles. For more information, consult the vehicle manufacturer.
- In a motor vehicle, do not place the wireless device over the air bag or in the air bag deployment area. Otherwise, the wireless device may hurt you owing to the strong force when the air bag inflates.

8.5 Airline Security

Observe the rules and regulations of airline companies. When boarding or approaching a plane, power off your wireless device. Otherwise, the radio signal of the wireless device may interfere with the plane control signals.

8.6 Safety of Children

Do not allow children to use the wireless device without guidance. Small and sharp components of the wireless device may cause danger to children or cause suffocation if children swallow the components.

8.7 Environment Protection

Observe the local regulations regarding the disposal of your packaging materials, used wireless device and accessories, and promote their recycling.

8.8 WEEE Approval

The wireless device is in compliance with the essential requirements and other relevant provisions of the Waste Electrical and Electronic Equipment Directive 2012/19/EU (WEEE Directive).

8.9 RoHS Approval

The wireless device is in compliance with the restriction of the use of certain hazardous substances in electrical and electronic equipment Directive 2011/65/EU (RoHS Directive).

8.10 Laws and Regulations Observance

Observe laws and regulations when using your wireless device. Respect the privacy and legal rights of the others.

8.11 Care and Maintenance

It is normal that your wireless device gets hot when you use or charge it. Before you clean or maintain the wireless device, stop all applications and power off the wireless device.

- Use your wireless device and accessories with care and in clean environment. Keep the wireless device from a fire or a lit cigarette.
- Protect your wireless device and accessories from water and vapour and keep them dry.
- Do not drop, throw or bend your wireless device.
- Clean your wireless device with a piece of damp and soft antistatic cloth. Do not use any chemical agents (such as alcohol and benzene), chemical detergent, or powder to clean it.
- Do not leave your wireless device and accessories in a place with a considerably low or high temperature.
- Use only accessories of the wireless device approved by the manufacture. Contact the authorized service center for any abnormality of the wireless device or accessories.
- Do not dismantle the wireless device or accessories. Otherwise, the wireless device and accessories are not covered by the warranty.
- The device should be installed and operated with a minimum distance of 20 cm between the radiator and your body.

8.12 Emergency Call

This wireless device functions through receiving and transmitting radio signals. Therefore, the connection cannot be guaranteed in all conditions. In an emergency, you should not rely solely on the wireless device for essential communications.

8.13 Regulatory Information

The following approvals and notices apply in specific regions as noted.

8.13.1 EU Regulatory Conformance

Statement

Hereby, Huawei Technologies Co., Ltd. declares that this device is in compliance with the essential requirements and other relevant provisions of Directive 2014/53/EU.

The most recent, effective version of the DoC (Declaration of Conformity) can be viewed at <http://consumer.huawei.com/certification>.

This device may be operated in all member states of the EU.

Observe national and local regulations where the device is used.

This device may be restricted for use, depending on the local network.

Frequency Bands and Power

(a) Frequency bands in which the radio equipment operates: Some bands may not be available in all countries or all areas. Please contact the local carrier for more details.

(b) Maximum radio-frequency power transmitted in the frequency bands in which the radio equipment operates: The maximum power for all bands is less than the highest limit value specified in the related Harmonized Standard.

The frequency bands and transmitting power (radiated and/or conducted) nominal limits applicable to this radio equipment are as follows:

MU709s-2	GSM 900: 37 dBm, GSM 1800: 34 dBm, WCDMA 900/2100: 25.7 dBm
MU709s-6	GSM 900: 37 dBm, GSM 1800: 34 dBm, WCDMA 2100: 25.7 dBm

Software Information

Software updates will be released by the manufacturer to fix bugs or enhance functions after the product has been released. All software versions released by the manufacturer have been verified and are still compliant with the related rules.

All RF parameters (for example, frequency range and output power) are not accessible to the user, and cannot be changed by the user.

For the most recent information about accessories and software, please see the DoC (Declaration of Conformity) at <http://consumer.huawei.com/certification>.

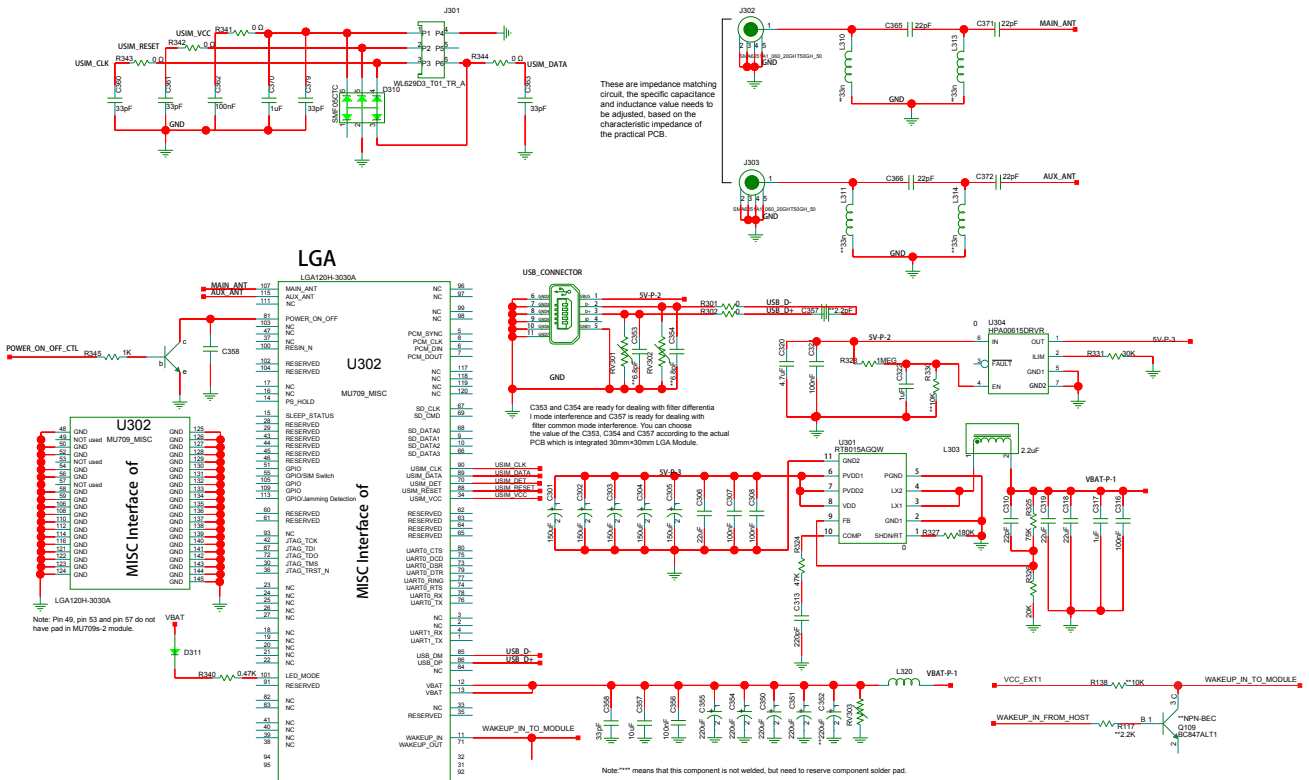
8.13.2 FCC Statement

Federal Communications Commission Notice (United States): Before a wireless device model is available for sale to the public, it must be tested and certified to the FCC that it does not exceed the limit established by the government-adopted requirement for safe exposure.

This device complies with Part 15 of the FCC Rules. Operation is subject to the following two conditions: (1) this device may not cause harmful interference, and (2) this device must accept any interference received, including interference that may cause undesired operation.

Warning: Changes or modifications made to this equipment not expressly approved by HUAWEI may void the FCC authorization to operate this equipment.

9 Appendix A Circuit of Typical Interface



10

Appendix B Acronyms and Abbreviations

Acronym or Abbreviation	Expansion
3GPP	Third Generation Partnership Project
8PSK	8 Phase Shift Keying
ADC	Analog To Digital Converter
AMPR	Additional Maximum Power Reduction
AP	Access Point
AUX	Auxiliary
BC	Band Class
BER	Bit Error Rate
BLER	Block Error Rate
BIOS	Basic Input Output System
CCC	China Compulsory Certification
CDMA	Code Division Multiple Access
CE	European Conformity
CMOS	Complementary Metal Oxide Semiconductor
CPU	Central Processing Unit
CS	Circuit Switched
DC	Direct Current
DCE	Data Communication Equipment
DL	Down Link
DMA	Direct Memory Access



Acronym or Abbreviation	Expansion
DTE	Data Terminal Equipment
DRX	Discontinuous Reception
DVK	Development Kit
ECC	Envelope Correlation Coefficient
EDGE	Enhanced Data Rate for GSM Evolution
EIA	Electronic Industries Association
EMC	Electromagnetic Compatibility
ENIG	Electroless Nickel Immersion Gold
EPA	Electrostatic Discharge Protected Area
ESD	Electrostatic Discharge
EU	European Union
EVDO	Evolution Data Optimized
FCC	Federal Communications Commission
FDD	Frequency Division Duplex
GMSK	Gaussian Minimum Shift Keying
GPIO	General Purpose I/O
GPRS	General Packet Radio Service
GPS	Global Positioning System
GSM	Global System for Mobile Communication
GLONASS/GNSS	Global Navigation Satellite System
HBM	Human Body Model
HSDPA	High Speed Downlink Packet Access
HSPA	Enhanced High Speed Packet Access
HSUPA	High Speed Up-link Packet Access
IC	Integrated Circuit
IMC	Inter Metallic Compound
IMT	International Mobile Telephony
ISO	International Standards Organization
JTAG	Joint Test Action Group
LCD	Liquid Crystal Display



Acronym or Abbreviation	Expansion
LCP	Liquid Crystal Polyester
LDO	Low Dropout Regulator
LED	Light Emitting Diode
LGA	Land Grid Array
LPF	Low Pass Filter
LTE	Long Term Evolution
MCP	Multi Chip Package
MCS	Modulation and Coding Scheme
MPR	Maximum Power Reduction
MO	Mobile Originated
MT	Mobile Terminated
NC	Not Connected
NTC	Negative Temperature Coefficient
NSMD	Non Solder Mask Defined
OC	Open Collector
PA	Power Amplifier
PBCCH	Packet Broadcast Control Channel
PCB	Printed Circuit Board
PCL	Power Control Level
PCM	Pulse Code Modulation
PDU	Protocol Data Unit
PID	Product Identity
PMU	Power Management Unit
PS	Packet Switched
QPSK	Quadrature Phase Shift Keying
RF	Radio Frequency
RH	Relative Humidity
RHCP	Right Hand Circular Polarization
RoHS	Restriction of the Use of Certain Hazardous Substances
RSE	Radiated Spurious Emission



Acronym or Abbreviation	Expansion
RUIM	Removable User Identity Module
RX	Receive
SAW	Surface Acoustic Wave
SCI	Slot Cycle Index
SIMO	Single Input Multiple Output
SMS	Short Message Service
SMT	Surface Mounting Technology
TBD	To Be Determined
TDD	Time Division Duplex
TD-SCDMA	Time Division-Synchronous Code Division Multiple Access
TIS	Total Isotropic Sensitivity
TTFF	Time to First Fix
TVS	Transient Voltage Suppressor
TX	Transmit
UART	Universal Asynchronous Receiver Transmitter
UL	Up Link
UMTS	Universal Mobile Telecommunications System
USB	Universal Serial Bus
USIM	Universal Subscriber Identity Module
VID	Vendor Identity
VPP	Voltage Programming Power
VSWR	Voltage Standing Wave Ratio
WEEE	Waste Electrical and Electronic Equipment
WCDMA	Wideband Code Division Multiple Access
WWAN	Wireless Wide Area Network