

## IMPORTANT! In U.S. and Canada only: Have questions?...don't go back to the store!

We appreciate your purchasing one of our many fine products. We are sure that you will be very satisfied with your selection. Although great care and effort have been taken, occasionally problems may occur. To ensure prompt and correct handling of any problems, or to answer any questions, please contact our Toll-Free Customer Service Number listed below. Service will be quicker if you have your Model Number (found on carton) and assembly instructions ready when calling. PLEASE WRITE YOUR MODEL NUMBER IN THE SPACE PROVIDED ABOVE.

### SAFETY INSTRUCTIONS

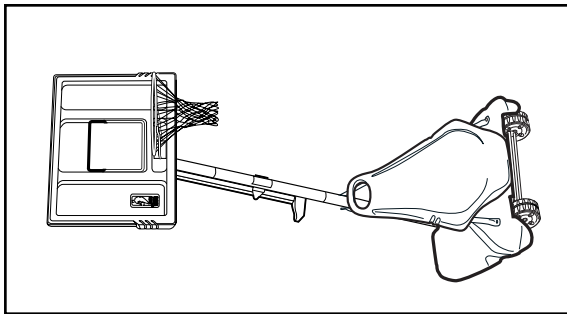
**FAILURE TO FOLLOW THESE SAFETY INSTRUCTIONS MAY RESULT IN SERIOUS INJURY, PROPERTY DAMAGE AND VOID WARRANTY.**

*Owner must ensure that all players know and follow these rules for safe operation of the system.*

To ensure safety, do not attempt to assemble this system without following the instructions carefully. Proper and complete assembly, use and supervision is essential for proper operation and to reduce the risk of accident or injury. A high probability of serious injury exists if this system is not installed, maintained, and operated properly. Check entire box and inside all packing material for parts and/or additional instructional material. Before beginning assembly, read the instructions and identify parts using the hardware identifier and parts list in this document.

- If using a ladder during assembly, use extreme caution.
  - Two (2) people are recommended for this operation.
  - Check base regularly for leakage. Slow leaks could cause system to tip over unexpectedly.
  - Seat the pole sections properly (if applicable). Failure to do so could allow the pole sections to separate during play and/or transport of the system.
  - Climate, corrosion or misuse could result in system failure.
  - Minimum operational height is 6'6" (1.98 m) to the bottom of backboard.
  - This equipment is intended for home recreational use only and NOT excessive competitive play.
  - Read and understand the warning label affixed to pole. Label is shown on page 1.
  - The life of your basketball pole depends on many conditions. The climate, placement of the pole, the location of the pole, exposure to corrosives such as pesticides, herbicides or salts are all important.
  - If technical assistance is required, contact Huffly Sports.
  - Adult supervision is recommended when adjusting height.
- Most injuries are caused by misuse and/or not following instructions. Use caution when using this system.*

For more information on assembly, placement, proper use and maintenance, visit The American Basketball Council website at <http://www.smart hoops.com>.



77

### NOTICE TO ASSEMBLERS

ALL Huffly Sports basketball Systems, including those used for DISPLAYS, MUST be assembled and ballasted with sand or water according to instructions. Failure to follow instructions could result in **SERIOUS INJURY**. It is **NOT** acceptable to devise a makeshift weight system.

#### HEIGHT ADJUSTMENT

TO ADJUST BACKBOARD:

1. Grasp handle and depress lever.
2. Push toward pole while holding lever. Raise or lower to desired height, then push lever forward on handle.
3. Release handle, making sure that horizontal pin is locked into slot.

#### MOVING SYSTEM

1. Adjust basketball backboard height to lowest position.
2. Rotate handle forward until wheels engage ground.
3. Move basketball system to desired location.
4. Rotate handle back to original position.
5. Retighten ground restraint and check system for stability.

### WARNING

**FAILURE TO FOLLOW THESE WARNINGS MAY RESULT IN SERIOUS INJURY AND/OR PROPERTY DAMAGE.**

*Owner must ensure that all players know and follow these rules for safe operation of the system.*

- DO NOT HANG on the rim or any part of the system including backboard, support braces or net.
- During play, especially when performing dunk type shots, the backboard, rim and net. Serious injury could occur if teeth face come in contact with backboard, rim or net.
- Do not slide, climb, shake or play on base and/or pole.
- After assembly is complete, fill system completely with water or sand and stake to the ground. Never leave system in an upright position without filling base with weight, as system may tip over causing injuries.
- When adjusting height or moving system, keep hands and fingers away from moving parts.
- Do not allow children to move or adjust system.
- During play, do not wear jewelry (rings, watches, necklaces, etc.). Objects may entangle in net.
- Surface beneath the base must be smooth and free of gravel or other sharp objects. Punctures cause leakage and could cause system to tip over.
- Do not use pole base. Grass, litter, etc. could cause corrosion and/or deterioration.
- Check pole system for signs of corrosion (rust, pitting, chipping) and repaint with exterior enamel paint. If rust has penetrated through the steel anywhere, replace pole immediately.
- Check system before each use for proper ballast, loose hardware, excessive wear and signs corrosion and repair before use.
- Check system before each use for instability.
- Do not use system during windy and/or severe weather conditions; system may tip over. Place system in the storage position and/or in an area protected from the wind and free from personal property and/or overhead wires.
- Never play on damaged equipment.
- See instruction manual for proper installation and shifting.
- When moving system, use caution to keep mechanism from slipping.
- Keep pole top covered with cap at all times.
- Do not allow water in tank to freeze. During sub-freezing weather add non-toxic antifreeze, sand or empty tank completely and store. (Do not use salt)
- While moving system, do not allow anyone to stand or sit on base or have added ballasting on base.
- Do not leave system unsupervised or play on system when wheels are engaged for moving.
- Use Caution when moving system across uneven surfaces. System may tip over.
- Use extreme caution if placing system on sloped surface. System may tip over more easily.

The NBA and individual NBA member team identifications reproduced on this product are trademarks and copyrighted designs and/or other forms of intellectual property, that are the exclusive property of NBA Properties, Inc. and the respective NBA member teams and may not be used, in whole or in part, without the written consent of NBA Properties, Inc.

**HUFFY SPORTS**  
In the U.S.: 1-800-558-5234 and Canada: 1-800-284-8339  
20246 289

**PARTS LIST (See Hardware Identifier)**

<u>Item</u>	<u>Qty.</u>	<u>Part No.</u>	<u>Description</u>	<u>Item</u>	<u>Qty.</u>	<u>Part No.</u>	<u>Description</u>
1	1	914822	Top Pole Section, Black	43	2	204840	Pin, 3 x 3/8
2	1	904811	Middle Pole Section, Black	44	2	204841	Spring, Silver
3	1	903407	Bottom Pole Section, Black	45	1	204819	Bracket, Pole Mount
4	1	200188	Rod, 3/8 x 5-1/4 Long Zinc	46	2	203053	Bolt, Carriage, 5/16-18 x 4 Long
5	1	202822	Eyebolt, 3/8-16 x 3-3/4 Long	47	1	206990	Reinforcement Bracket
6	1	200117	Tank	48	1	204811	Spring Cover, Handle Left Side
7	1	202821	Disk, 2-3/4 O.D. x .188 Thick	49	1	204812	Spring Cover, Handle Right Side
8	6	203063	Lock Nut, Nylon Insert, 3/8-16	50	1	206263	Bolt, Carriage, 5/16-18 x 3 Long
9	2	906410	Struts, Base	51	2	201129	Spacer, Metal, .5 O.D. x .402 I.D. x 1.8 Long
10	1	202662	Bolt, 5/16-18 x 4-1/2 Long	52	2	201088	Board Bracket
11	11	203218	Washer, Flat, 5/16 x 7/8 O.D.	53	1	240017	Bolt, Hex Head, 1/4-20 x 2-1/4 Long
12	1	203220	Lock Nut, Nylon Insert, 5/16-18	54	1	206360	Bolt, Hex Head, 3/8-16 x 2.625 Long
13	1	200516	Vinyl, Bolt Cover, 5/16	55	1	203493	Lock Nut, Hex Center-lock, 1/4-20
14	2	203798	Bolt, Hex Flange, 5/16-18 x 1-1/2 Long	56	2	904821	Elevator Tube, Lower (Long)
15	19*	203100	Lock Nut, Whiz, 5/16-18	57	6	204847	Bolt, Hex Head, 1/2-13 x 9-1/2 Long
16	3	206327	Axle Rod, .461 O.D. x 4-1/4 Long	58	7	206340	Lock Nut, Hex Head, 1/2-13
17	3	226401	Wheel 4" Diameter	59	4	201682	Spacer, Black, .56 I.D. x .683 O.D. x 1.88 Long
18	1	200123	Upper Pivot Bracket	60	4	201611	Bolt, Hex Flange, 5/16-18 x 3 Long
19	1	200512	Bolt, Hex Head, 3/8-16 x 3-1/2 Long	61	1	900741	Slam Jam Bracket, Black
20	14*	203232	Washer, 3/8 I.D., x 3/4 O.D.	62	2	203108	Bolt, Carriage, 5/16-18 x 2.5 Long
21	1	206252	Bolt, Hex Head, 3/8-16 x 1 Long	63	2	904807	Elevator Tubes, Upper (Short)
22	1	206948	Lower Pivot Bracket	64	1	207103	Pole Cap
23	1	203330	Bolt, Hex Head, 3/8-16 x 4-1/2 Long	65	1	201139	Bolt, Hex Head, 1/2-13 x 4.5 Long
24	2	200122	Hinge Tubes	66	2	201654	Triangle Plate
25	1	906608	Wheel Bracket	67	8	202862	Spacer, Plastic, 1/2 I.D., 1-1/4 Long
26	4	203103	Bolt, Carriage, 5/16-18 x 2 Long	68	2	204837	Spring
27	2	202808	Wheel 6" Diameter	69	1	203796	Bolt, "Tee" 3/8 - NC x 5 Long
28	1	206940	Axle, .461 O.D. x 21 Long	70	1		Rim
29	2	206938	Push Caps	71	1	203234	Bracket Reinforcement, Slam Jam
30	1	206956	Disc, Plastic, 5" O.D. x .0625 Thick	72	1	203472	Spring, Black
31	1	204839	Tinnerman Nut	73	1	203470	Washer, Flat 5/8 I.D. x 1-1/2 O.D.
32	1	904816	Inner Channel	74	1	203795	Nut, Special 3/8-NC
33	1	904815	Outer Channel	75	4	201611	Hex Flange Bolt 5/16-18 x 3 Long
34	1	204813	Handle, Height Adjustment	76	1	204281	Net
35	2	203217	Bolt, Carriage, 5/16-18 x 1.5 Long	77	1	211249	Label, Height and Moving
36	1	203679	Bolt, Hex Head, 3/8-16 x 2 Long	78	1	202438	Rope, Nylon Double Looped Tie Down
37	3	201124	Lock Nut, Hex, 3/8-16	79	1	203124	Stake, Tie Down
38	1	204814	Trigger, Height Adjustment	80	1	206219	Cap, Tank-Black
39	1	203589	Bolt, Hex Head, 5/16-18 x 1-1/4 Long	81	12	200121	Clip, Net Holder
40	1	201125	Ratchet Spring	82	1	200119	Front Cover
41	1	204809	Label, Accuheight				
42	4	265601	Bolt, Carriage, 5/16-14 x 3-1/2 Long				

\*You may have extra parts with this model

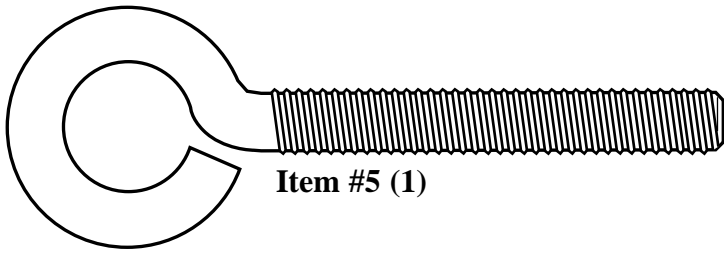
**WARRANTY CARD:**

Please remember to complete your product registration form on-line at:

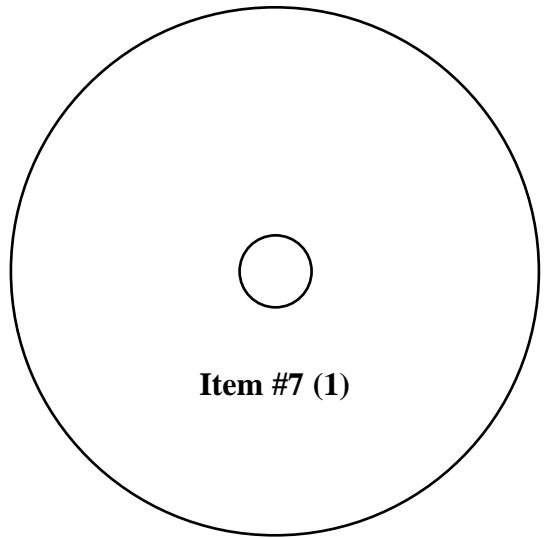
**[www.huffysports.com/warrantycard](http://www.huffysports.com/warrantycard)**  
or mail-in the enclosed postcard.



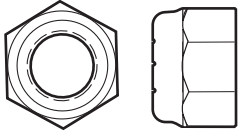
**HARDWARE IDENTIFIER**



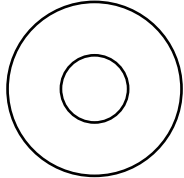
**Item #5 (1)**



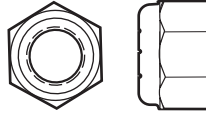
**Item #7 (1)**



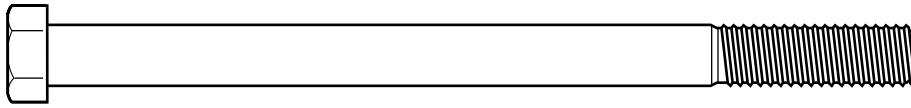
**Item #8 (6)**



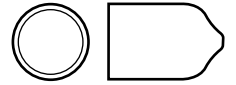
**Item #11 (11)**



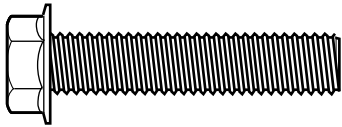
**Item #12 (1)**



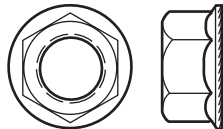
**Item #10 (1)**



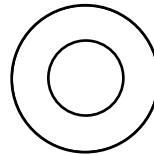
**Item #13 (1)**



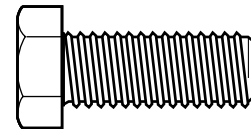
**Item #14 (2)**



**Item #15 (19)\***



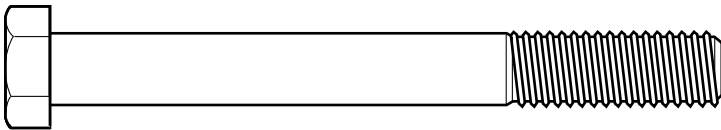
**Item #20 (14)\***



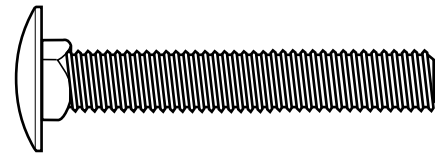
**Item #21 (1)**



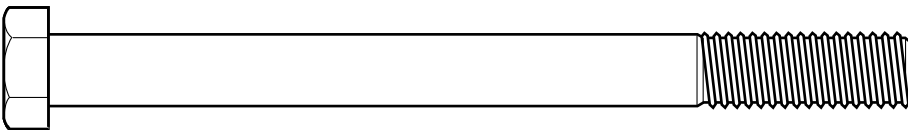
**Item #16 (3)**



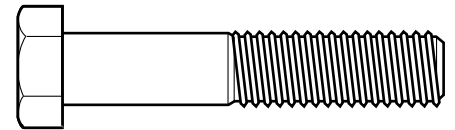
**Item #19 (1)**



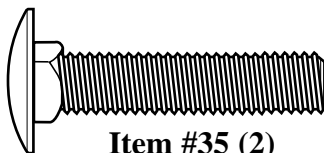
**Item #26 (4)**



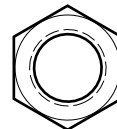
**Item #23 (1)**



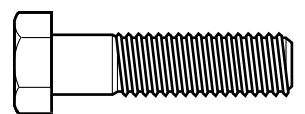
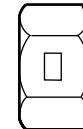
**Item #36 (1)**



**Item #35 (2)**



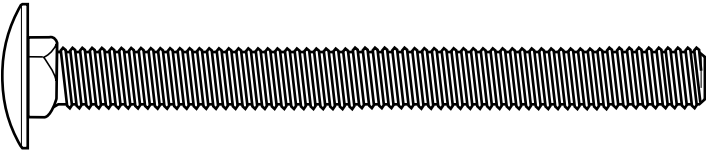
**Item #37 (3)**



**Item #39 (1)**

**HARDWARE IDENTIFIER (CONTINUED)**

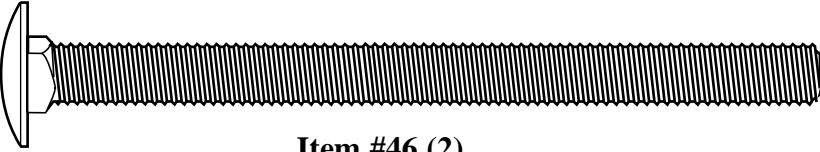
**HARDWARE IDENTIFIER (continued)**



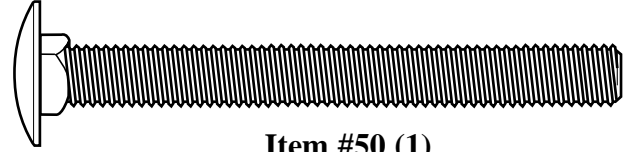
**Item #42 (4)**



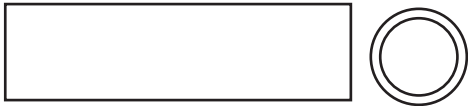
**Item #43 (2)**



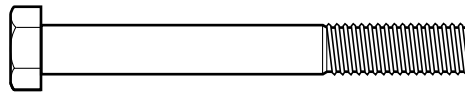
**Item #46 (2)**



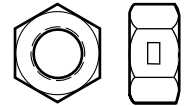
**Item #50 (1)**



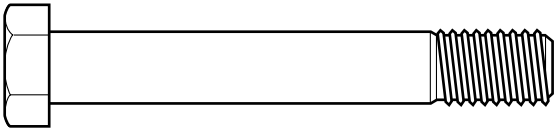
**Item #51 (2)**



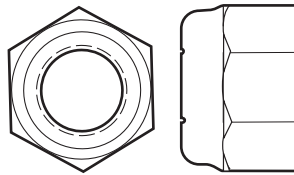
**Item #53 (1)**



**Item #55 (1)**



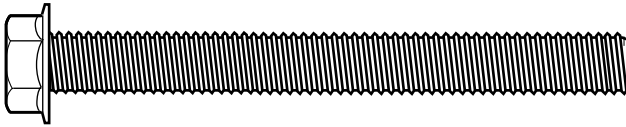
**Item #54 (1)**



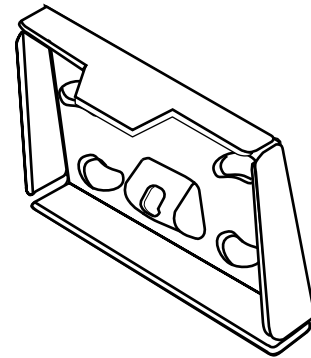
**Item #58 (7)**



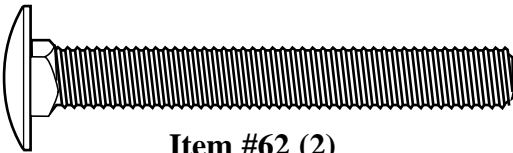
**Item #59 (4)**



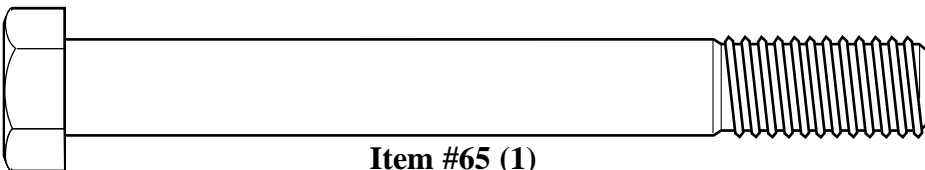
**Item #60 (4)**



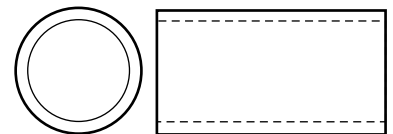
**#61 (1)**



**Item #62 (2)**

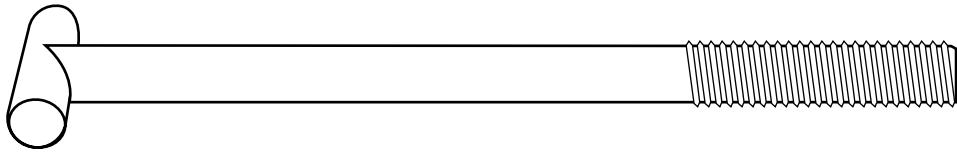


**Item #65 (1)**

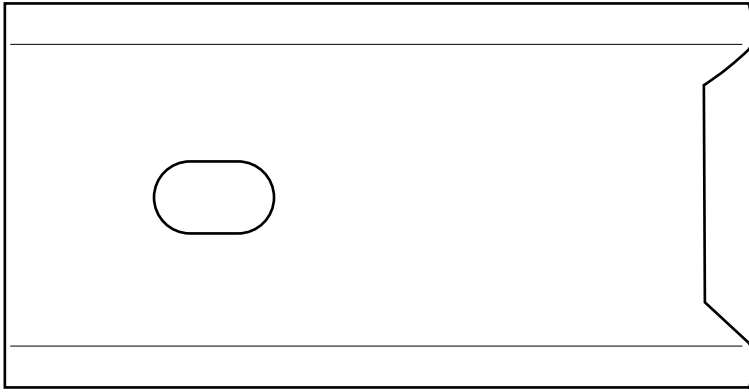


**Item #67 (8)**

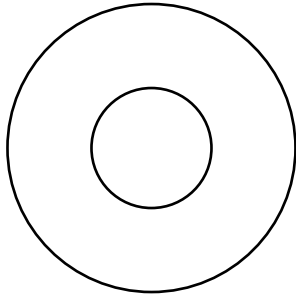
\*You may have extra parts with this model.



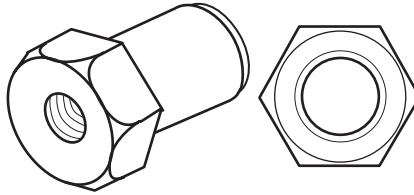
**#69 (1)**



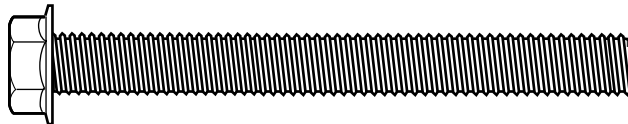
**#71 (1)**



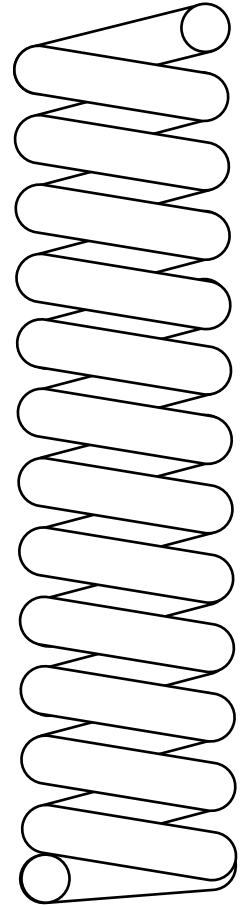
**#73 (1)**



**#74 (1)**



**Item #75 (4)**



**#72 (1)**

## INSTRUCTIONS

**IMPORTANT! WRITE MODEL NUMBER FROM BOX ONTO PAGE 1 OF THIS OWNERS MANUAL**



### Questions or Missing Parts?

# STOP!

## DON'T go back to store!

Call TOLL-FREE Customer Service  
Number listed on the front page!

1. Mark pole sections with tape as shown.
2. **IMPORTANT! Bounce pole top (1) and middle section (2) together as shown until they no longer move toward taped reference mark.** Upright assembly. **NOTE:** Pole sections should have a 3-1/2" (9 cm) minimum overlap.
3. **IMPORTANT! Holes in top (1) and bottom pole (3) sections MUST align to correctly position elevator system toward playing surface.** Add bottom pole section (3) to assembly as shown and bounce until completely tight. **NOTE:** Pole sections should have a 3-1/2" (9 cm) minimum overlap.
4. Install rod (4) through holes in bottom pole section (3) and eyebolt (5). Insert pole assembly into tank assembly (6) as shown. Secure pole assembly with disk (7) and lock nut (8).  
**NOTE:** Two people recommended for this step.
5. Secure base struts (9) to pole using bolt (10) washers (11) and nut (12) as shown. Rotate the non-secured ends of base struts (9) as shown.
6. Secure base struts (9) to base using bolt (14) washers (11) and nut (15).
7. Insert axle rod (16) through wheel (17), as shown. Secure wheel assembly to tank (6) by tapping wheel downward with hammer, snapping it into position. Carefully, turn tank (6) over.
8. Install upper pivot bracket (18) to front of base using bolt (19), washer (20) and nut (8) as shown.
9. Insert bolt (21) through lower pivot bracket (22) as shown, bolt (21) will be secured during step 12. Carefully place base assembly on its side. Install lower pivot bracket (22) with bolt (23), washers (20) and lock nut (8) as shown.
10. Secure both hinge tubes (22) to wheel bracket (25) with carriage bolts (26) and flange nuts (15).
11. Install wheels (27) onto axle (28) and wheel bracket (25) with push caps (29) as shown.
12. Position base as shown. Secure wheel bracket assembly with disc (30), washer (20) and nut (8) as shown. **NOTE:** Two people recommended for this step.
13. Carefully reposition entire assembly as shown. **IMPORTANT! Two people recommended for this step.**
14. Snap tinnerman nut (31) onto inner channel (32). Place inner channel into outer channel (33) as shown.
15. Slide handle (34) into position as shown and secure with bolts (35), washers (35), and nuts (15). Tighten completely.
16. Install bolt (36), washers (11), and nut (37) as shown. Tighten until washers (11) are no longer loose. **NOTE:** Do not over tighten. Assemble trigger (22) to handle assembly (34, 32, 33) as shown and secure with bolt (39) and washer (11). Tighten completely.
17. **▲ WARNING: USE EYE PROTECTION WHEN INSTALLING SPRINGS.**  
Install trigger return spring (40) to handle assembly (32, 33) as shown.
18. Attach Accuheight label (41) to outer channel (33).
19. Attach spring (44) to pins (43) and install pins (43) onto pole mount bracket (45). Attach other spring (44) to opposite side. **NOTE:** Gently enlarge eyelets of spring with pliers if springs do not fit over pins.
- ▲ WARNING: USE EYE PROTECTION WHEN INSTALLING SPRINGS.**
20. Install pole mount assembly and reinforcement bracket (47) with carriage bolts (46) to pole as shown. Tighten flange nuts (15) completely.
21. Push back sliding pin (43) as shown in Figure A to fit adjustable system assembly through pole mount assembly. Then attach spring covers (48 & 49) onto pole mount bracket (45) with bolt (50), and nut (15) as shown in Figure B.
22. Install spacers (51) onto backboard brackets (52) with bolts (53, 54) and lock-nuts (55, 37) as shown.
23. Assemble lower elevator tubes (56) as shown. **NOTE :** Tighten bolt (57) in lock nut (58) until flush (even) with lock nut's outer edge. **IMPORTANT! It is necessary for all parts to be installed for this mechanism to work safely and properly.** **NOTE:** Test fit bolts into holes of brackets (52) and carefully rock them in a circular motion to ream out paint from holes if necessary
24. Bend brackets (52) to line up with holes in channel. Insert carriage bolts (62) into hole as shown. Tighten completely. Insert Tee-bolt (69) through Slam Jam Bracket (61) and attach to backboard with nuts (15) and bolts (61) as shown.
25. Assemble upper elevator tubes (63) to backboard brackets (52) as shown. **NOTE:** Tighten bolt (57) in lock nut (58) until flush (even) with lock nut's outer edge.
26. Support pole on sawhorse. Attach backboard assembly to top pole section (1) as shown. Then install pole cap (64). **NOTE:** Two people are recommended for this step. **Use caution; elevator assembly is heavy.**
27. Install upper elevator tubes (63) to triangle plates (66) as shown. Install handle assembly to lower elevator tubes (56) using bolt (57), spacers (67), and nut (58) as shown. **NOTE:** Tighten bolt (57) in lock nut (58) until flush (even) with lock nut's outer edge. **NOTE:** Before going on to next step, set adjustable system assembly to the 10' (3.05 m) setting.
28. **▲ WARNING: USE EYE PROTECTION WHEN INSTALLING SPRINGS.**  
Insert bolt (57) through left side upper elevator tube (63), then stretch springs (68) onto bolt (57). Insert bolt (57) through right side upper elevator tube (63) and secure with nut (58).
29. Install net clips (81). *The Quick Clip™ rapid release net system lets the net pull away from the rim. This reduces the risk of player injury or property damage. However, improper installation or a ball making contact at an odd angle may disengage the net clip from the goal rim. Usually, the clip is reinstalled with little or no problem. We hope that you agree this inconvenience is minor when compared to the safety of the players. Quick Clip: US Patent No. 5,792,010/5,795,253* The two outer hooks on net clip must face towards inside of goal rim. Insert larger hole in net clip onto rim stud, push down on net clip, then slide net clip right, locking or snapping securely into position (clips must "snap" into place to insure a secure fit).  
**NOTE:** Net clips should not slide with ease. It is very important that the net clips are in the locked position before going on to next step.
- ▲ WARNING: USE OF THIS PRODUCT WITHOUT PROPER INSTALLATION OF NET CLIPS, OR WHEN ALL NET CLIPS ARE NOT PRESENT COULD RESULT IN BODILY HARM. BE SURE TO FOLLOW DIRECTIONS CAREFULLY.**
30. Fit rim (70) into Slam Jam Bracket (61) and assemble Slam Jam Rim as shown.
- ▲ WARNING: TWO PERSON MINIMUM REQUIRED FOR THIS PROCEDURE. NOT FOLLOWING RECOMMENDATION MAY RESULT IN SERIOUS BODILY INJURY AND/OR PROPERTY DAMAGE.**
31. Install net (76).  
**IMPORTANT! Make sure net is held by all three hooks on the net clip.**
  - A. Slide net into outer hook as shown.
  - B. Slide net into second outer hook creating a loop as shown. Push loop to back of clip.
  - C. Pull loop up and through back of clip, snapping over the middle hook.
  - D. Pull net down to make sure it is held securely by all three hooks.**NOTE:** If net releases during normal play, net was improperly installed. Please review instructions to install net properly.
32. Attach front cover (82) to hinge tubes (24) using carriage bolt (42) and flange nuts (15) as shown.
- ▲ WARNING: DO NOT LEAVE ASSEMBLY UNATTENDED WHEN EMPTY, MAY TIP OVER.**
33. Apply height and moving label (77) to front of pole as shown.
34. Roll completed assembly to desired playing area. Secure assembly to ground using rope (78) and tie down stake (79). Fill tank with 34 gallons of water. **IMPORTANT! Add two gallons (7.6 Liters) of non-toxic antifreeze in sub-freezing climates.** Add two gallons (7.6 liters) to tank to prevent freezing in sub-freezing climates. Snap cap (80) into place.
- ▲ WARNING: DO NOT ALLOW CHILDREN TO ADJUST HEIGHT.**
35. Grasp handle and depress lever.
36. Push toward pole while holding lever. Raise or lower lever to desired height while pushing forward on handle.
37. Release handle making sure that horizontal pin (43) is locked into slot.

**WARNING: IF YOUR SYSTEM IS EQUIPPED WITH AN ACRYLIC BACKBOARD, EXAMINE BACKBOARD FOR ANY DAMAGE THAT MAY HAVE OCCURRED DURING SHIPMENT. CRACKS IN THE BACKBOARD COULD RESULT IN SUDDEN BREAKAGE. IF BACKBOARD IS DAMAGED IN ANY WAY PRIOR TO OR AFTER ASSEMBLY, CALL TOLL-FREE NUMBER FOR FREE REPLACEMENT:  
U.S. 1-800-558-5234; CANADA: 1-800-284-8339; <http://www.huffysports.com>**





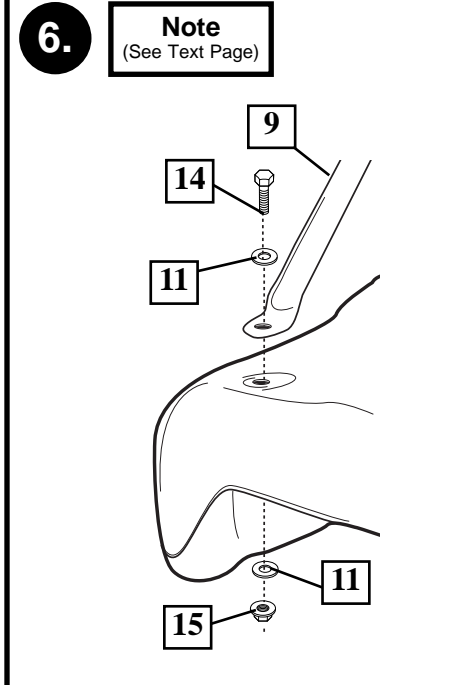
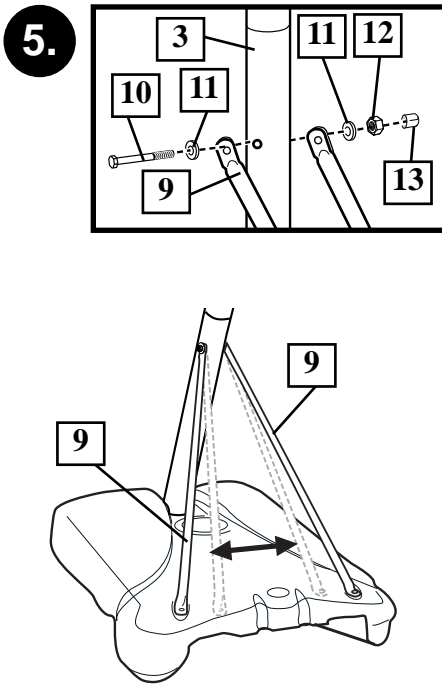
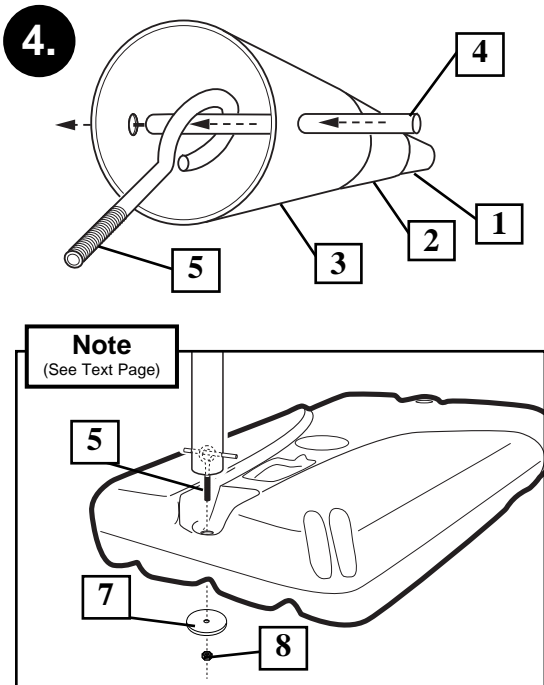
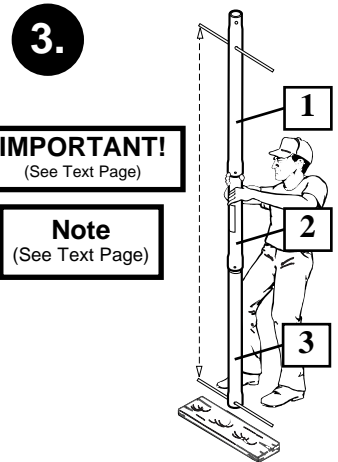
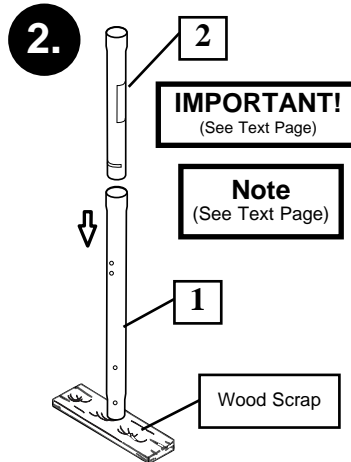
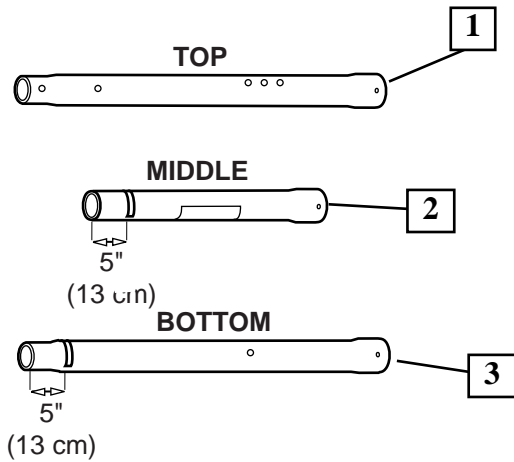
1.



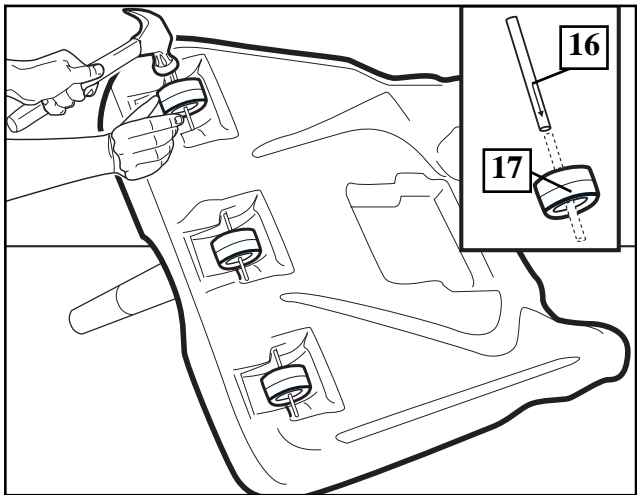
# Questions or Missing Parts?

## DON'T go back to store!

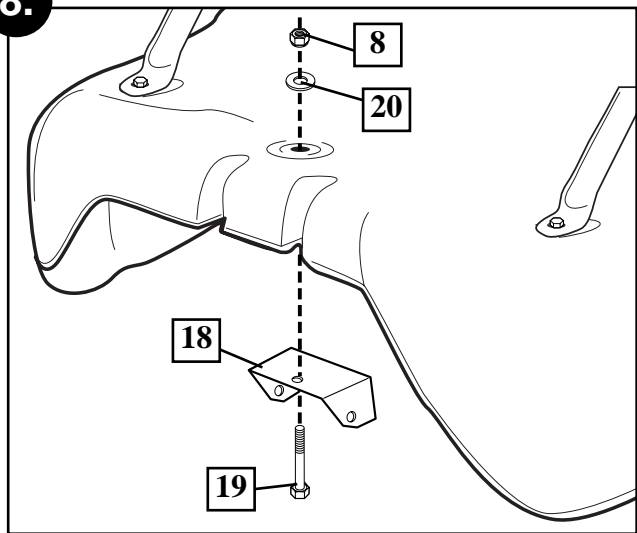
Call TOLL-FREE Customer Service  
Number listed on the front page!



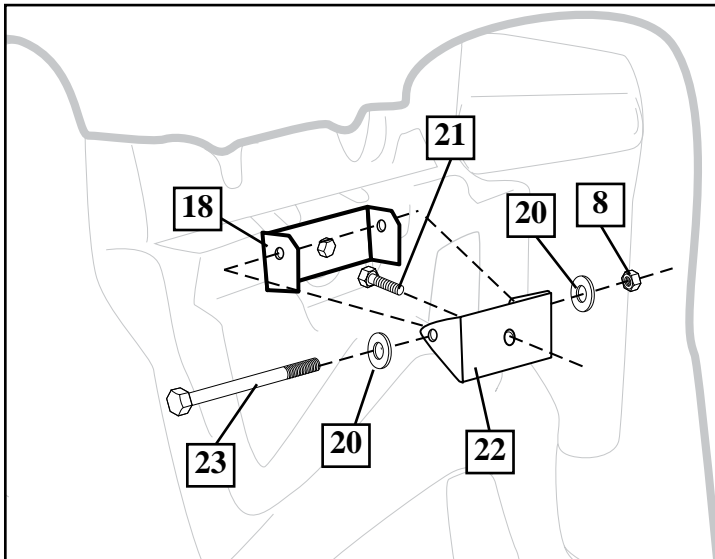
7.



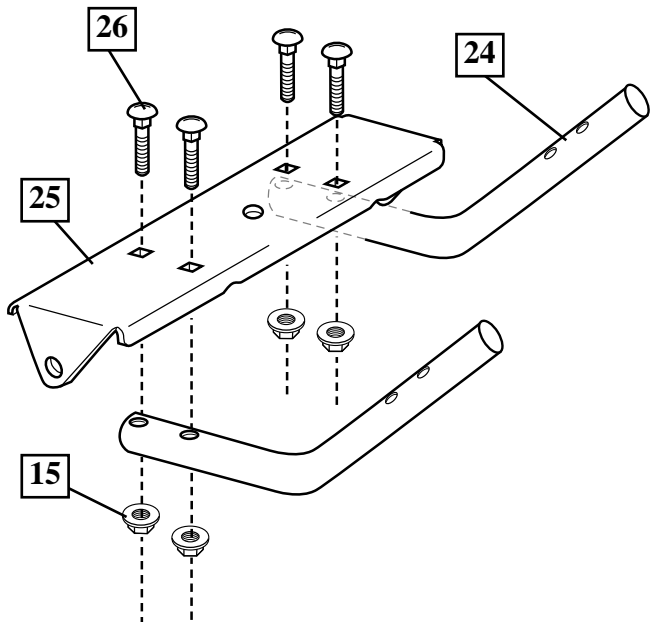
8.



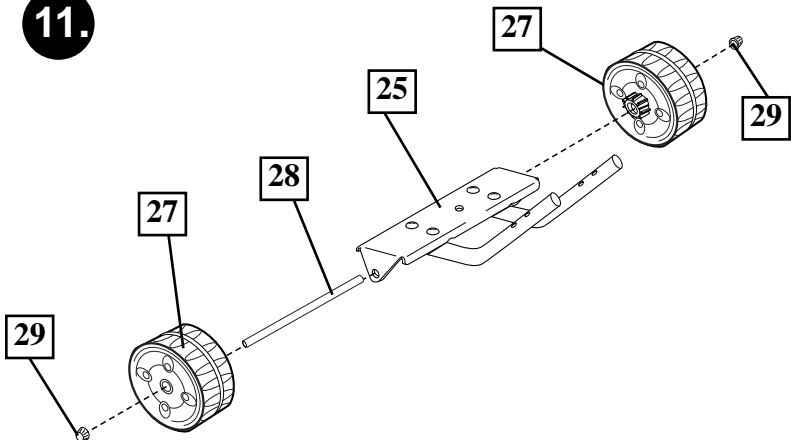
9.



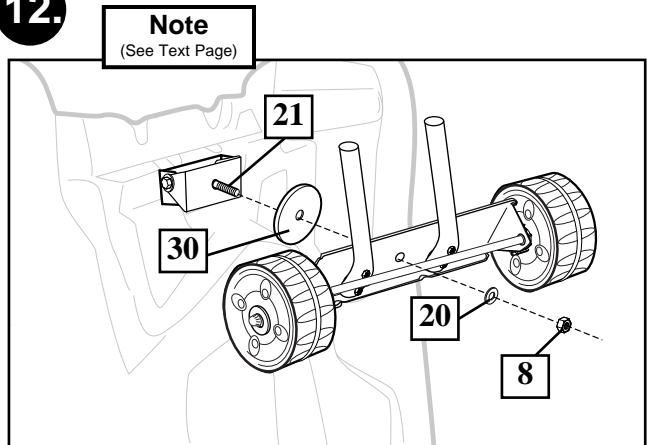
10.



11.



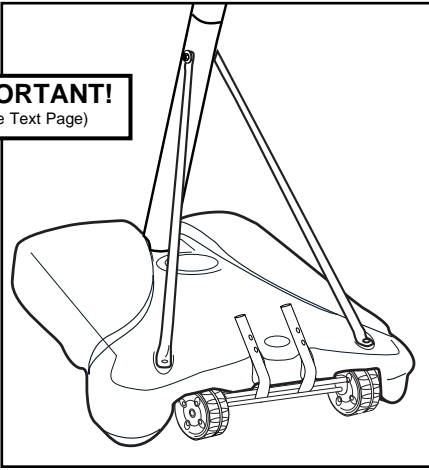
12.



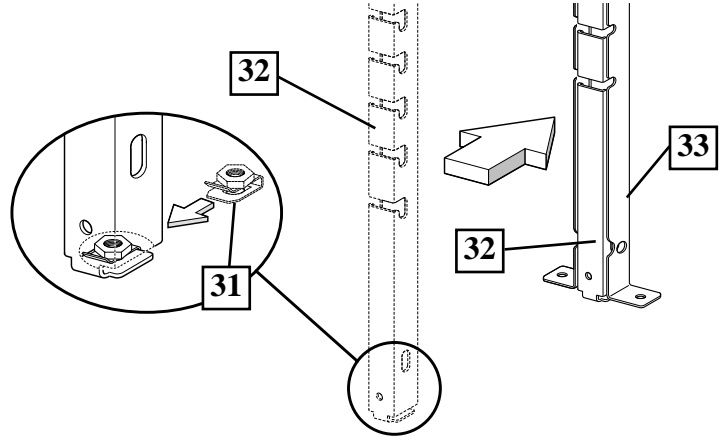


13.

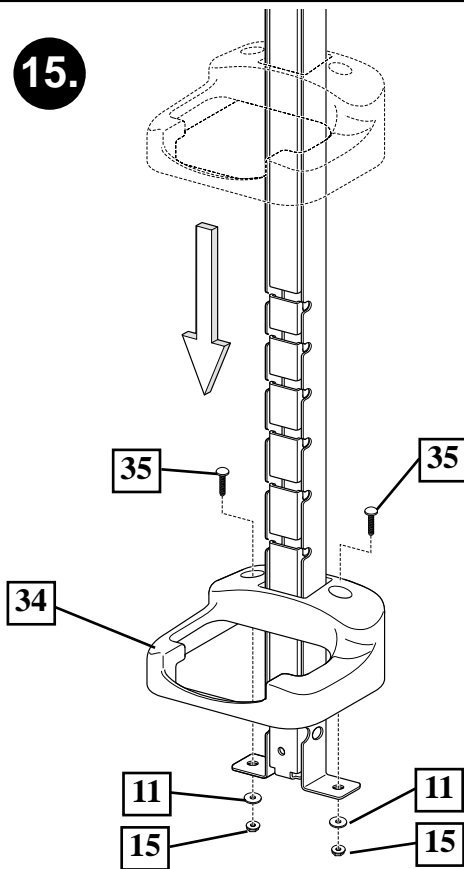
**IMPORTANT!**  
(See Text Page)



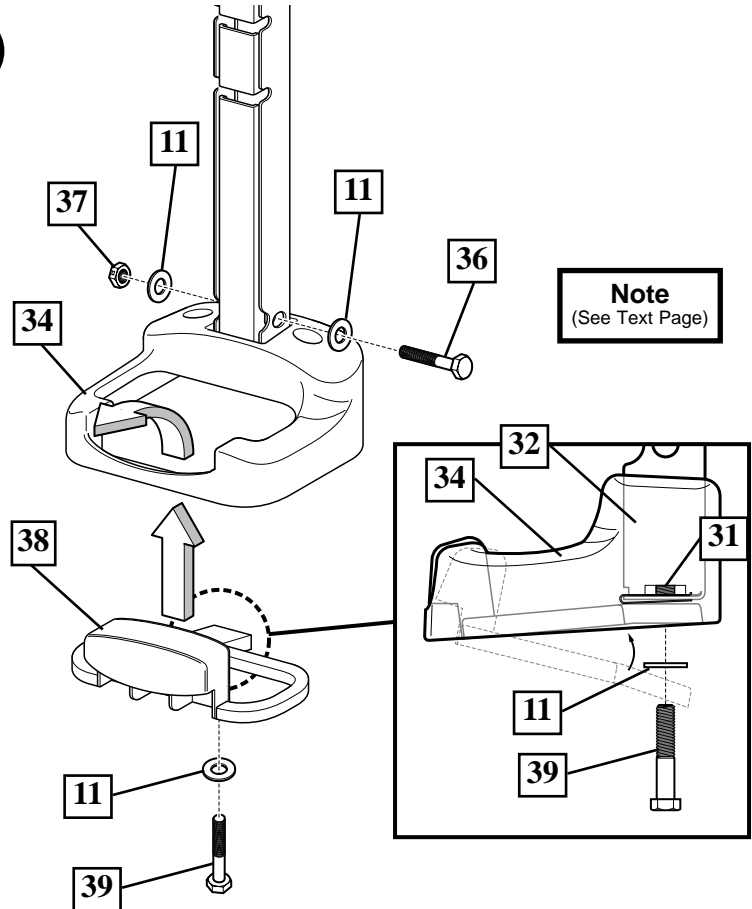
14.



15.



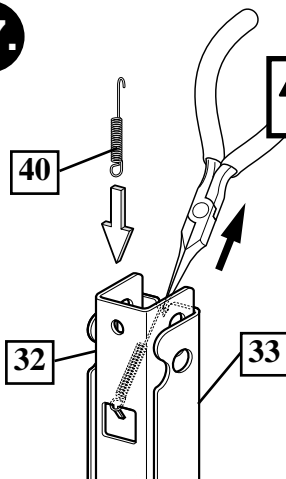
16.



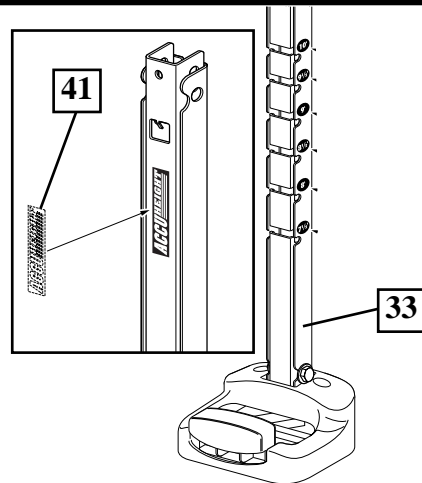
**Note**  
(See Text Page)

17.

**WARNING**  
(See Text Page)

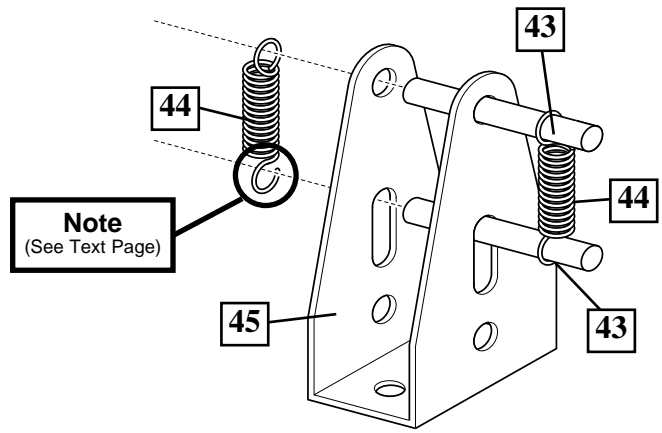


18.

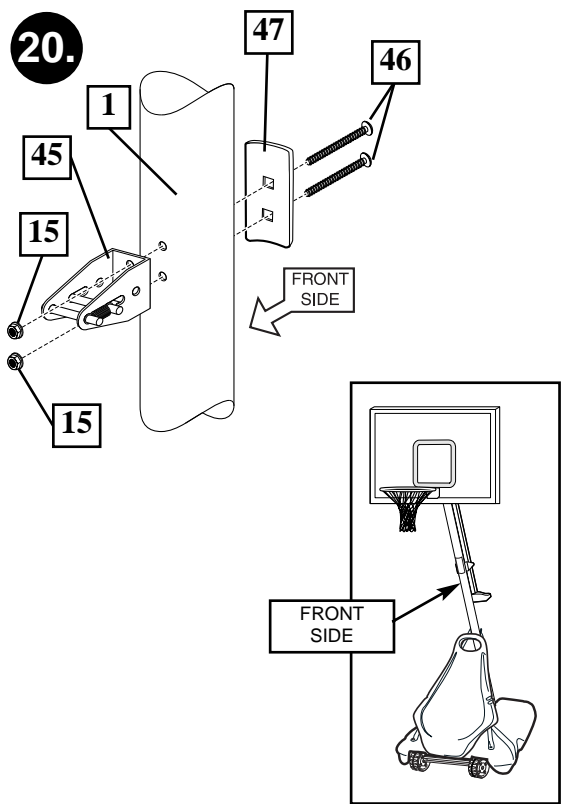


19.

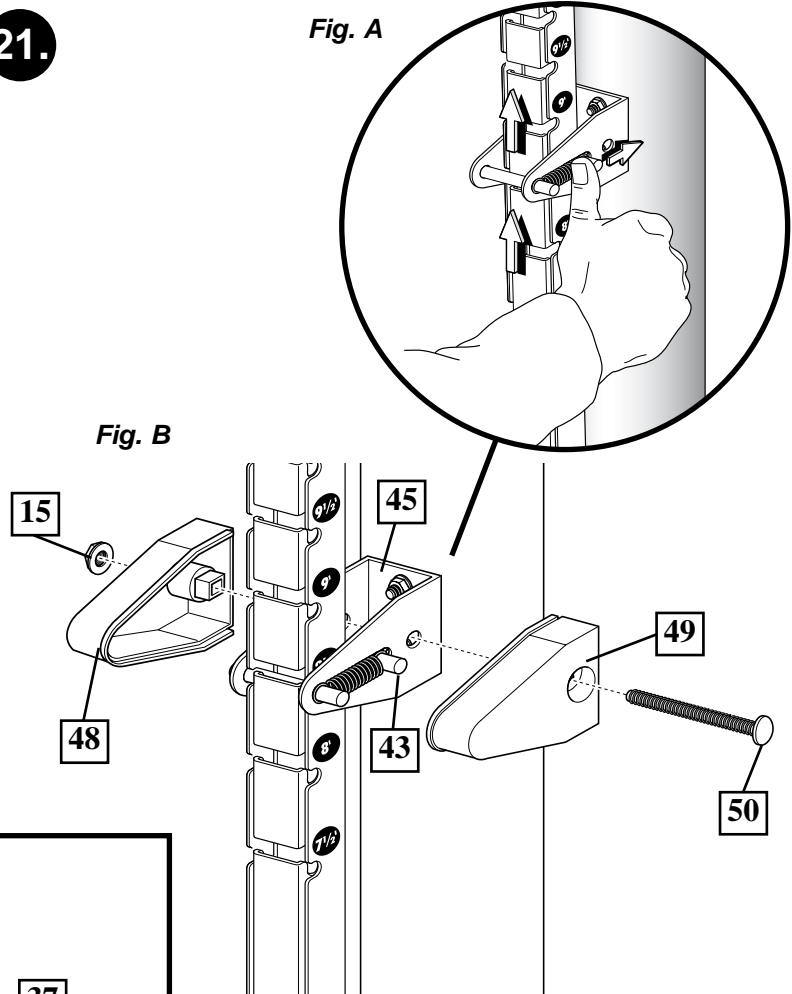
**WARNING**  
(See Text Page)



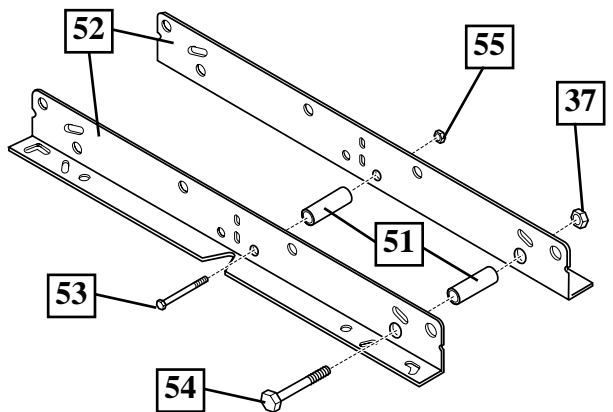
20.



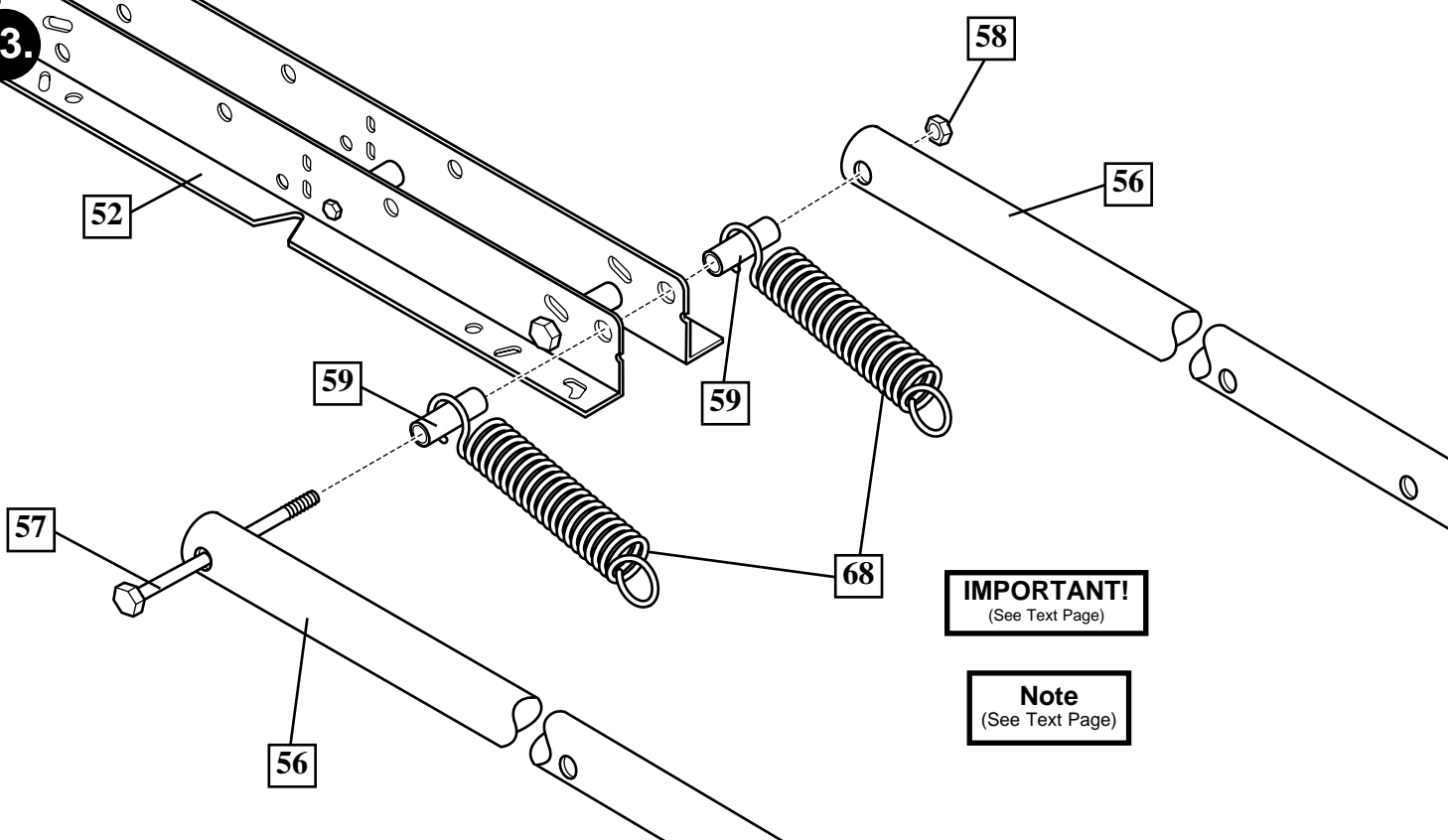
21.



22.



23.

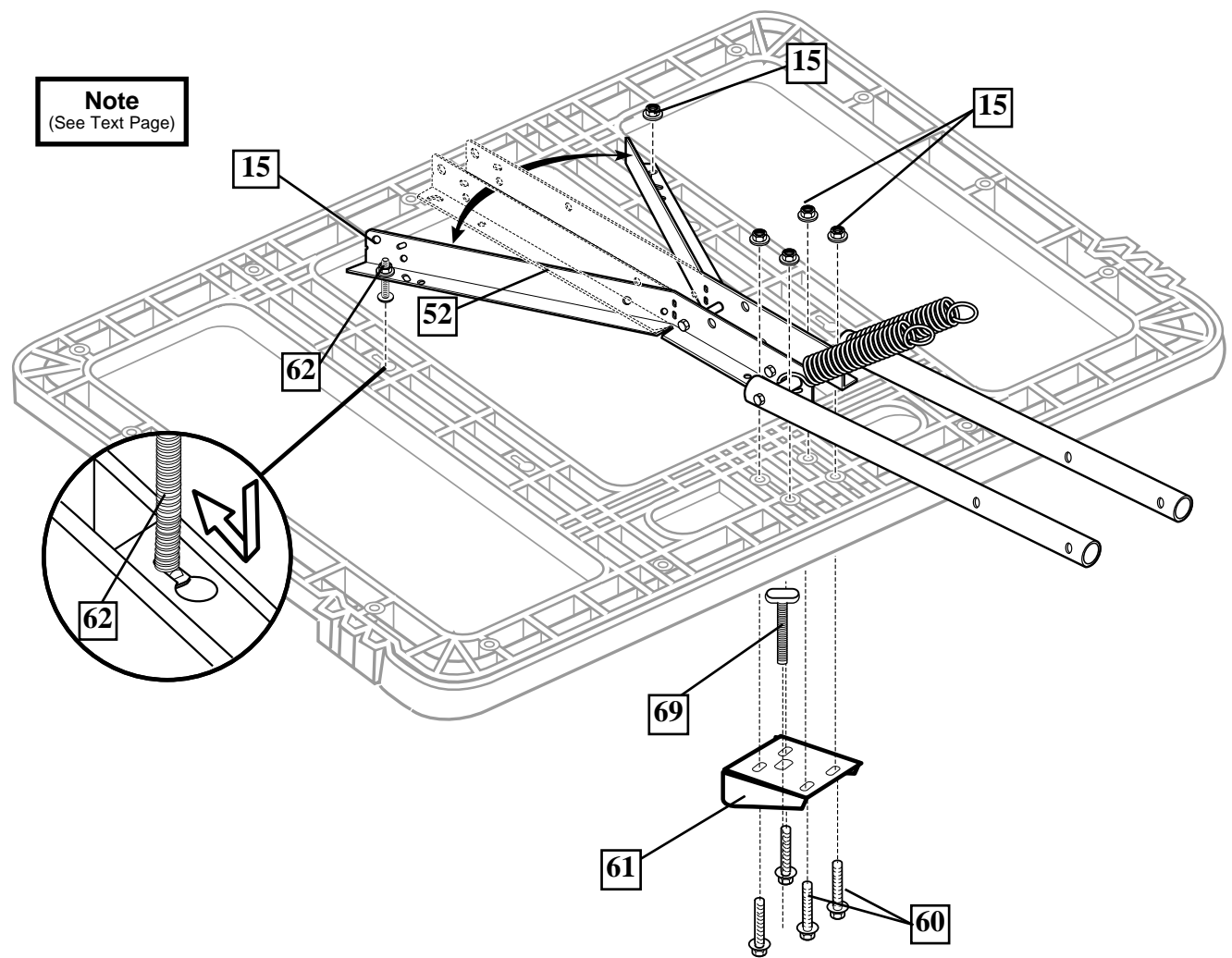


**IMPORTANT!**  
(See Text Page)

**Note**  
(See Text Page)

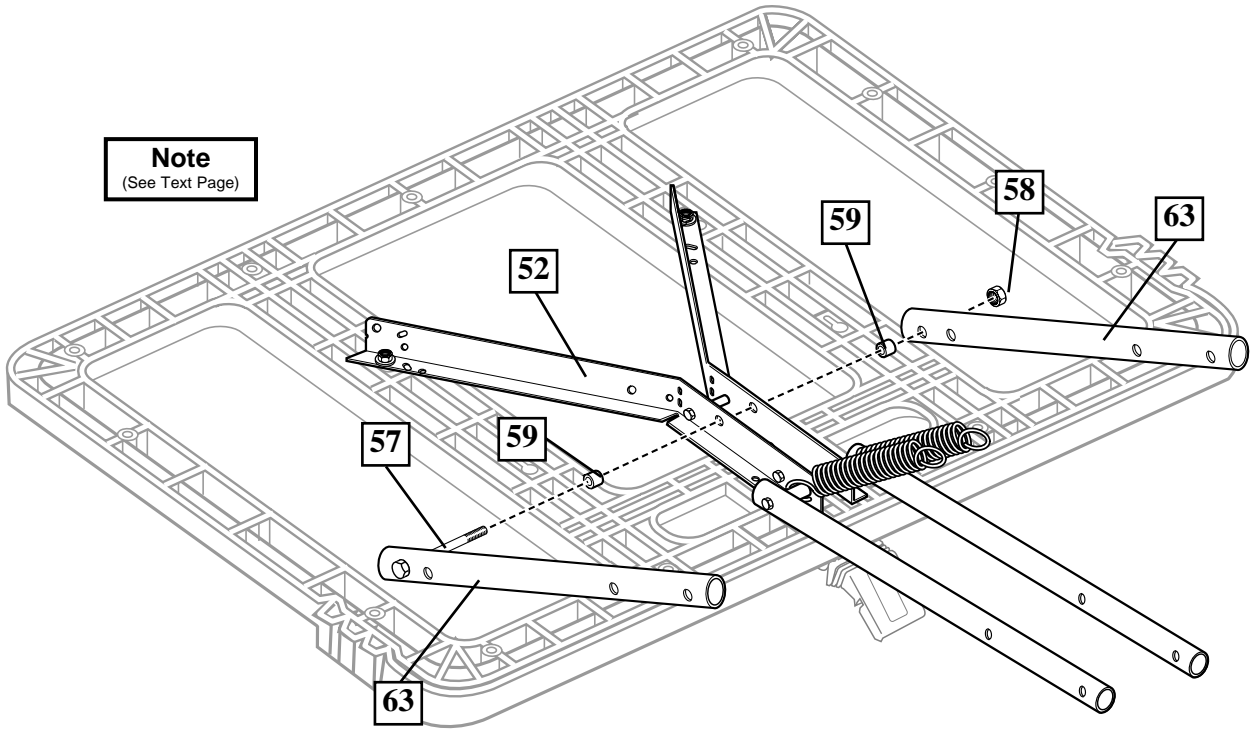
24.

**Note**  
(See Text Page)



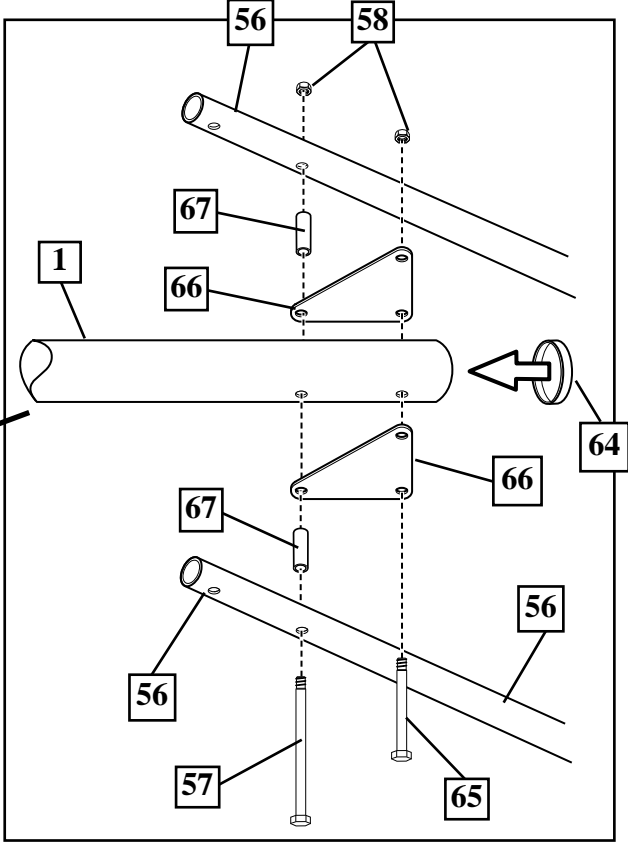
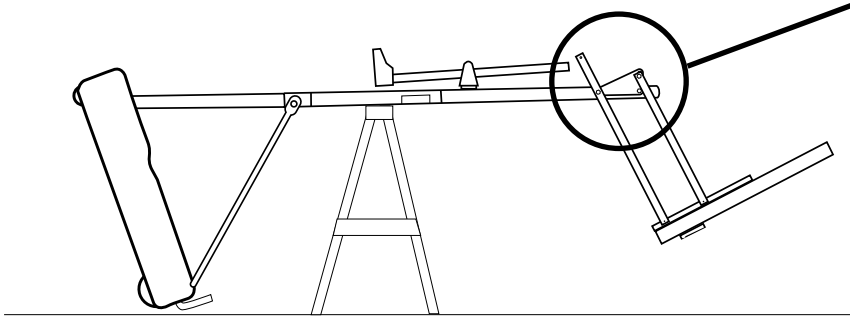
25.

**Note**  
(See Text Page)



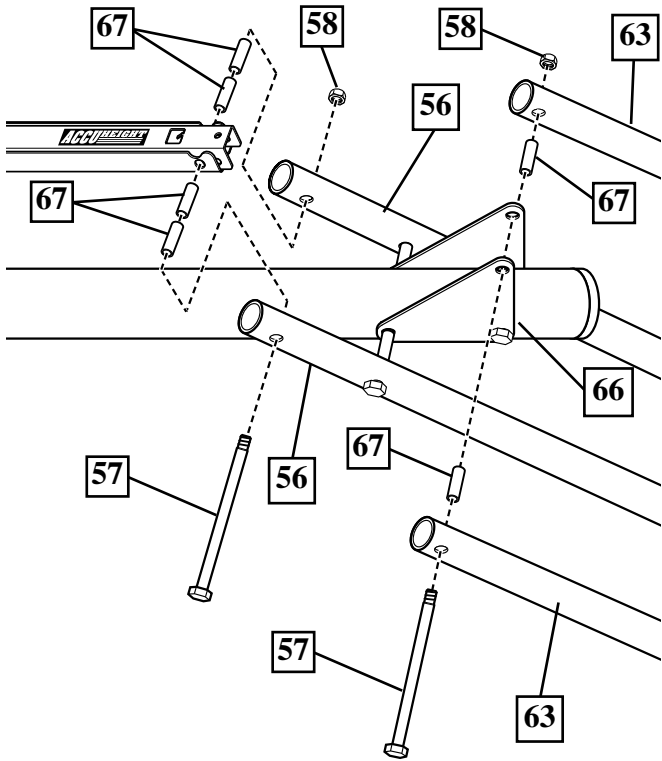
26.

**Note**  
(See Text Page)



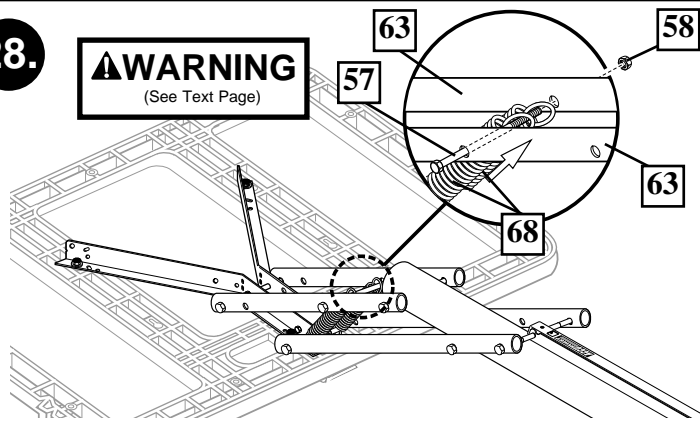
27.

Note  
(See Text Page)

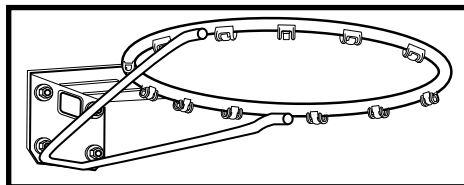


28.

**WARNING**  
(See Text Page)



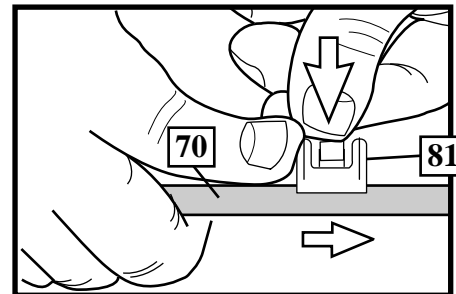
29.



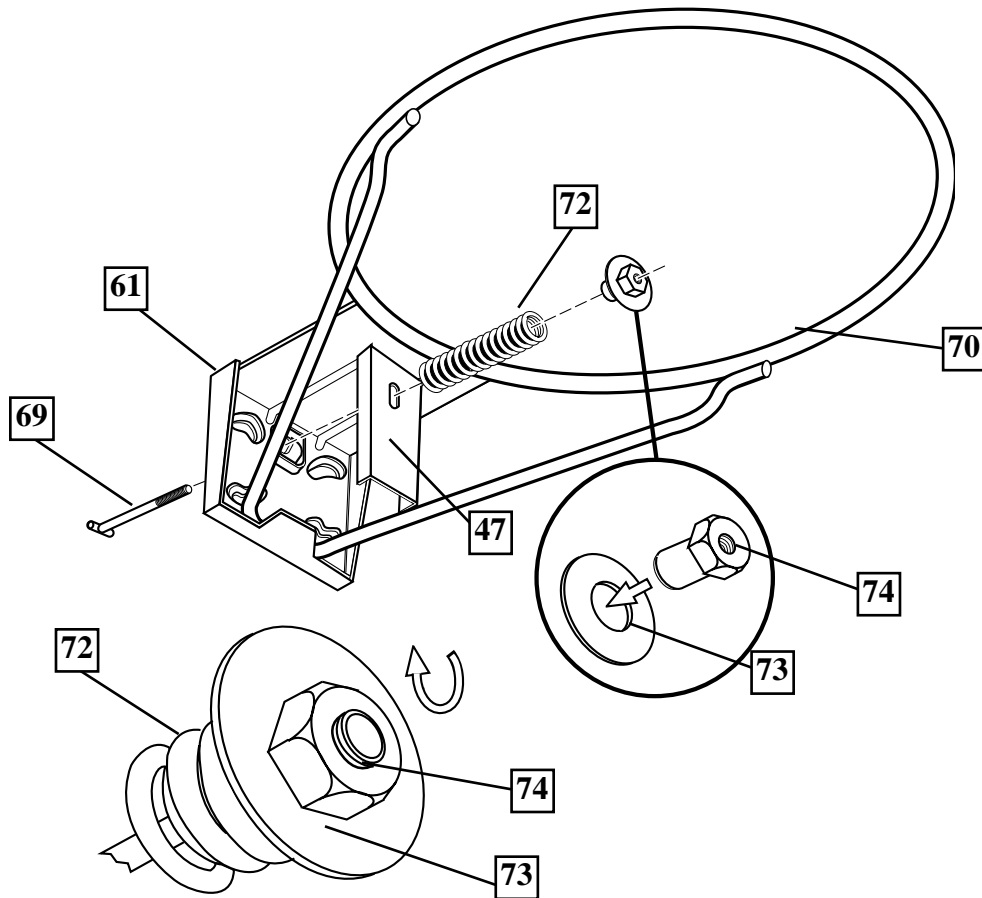
OUTSIDE VIEW

**WARNING**  
(See Text Page)

Note  
(See Text Page)



30.

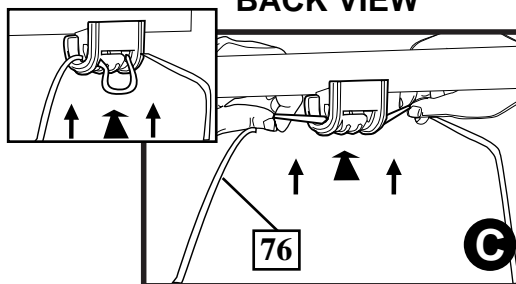
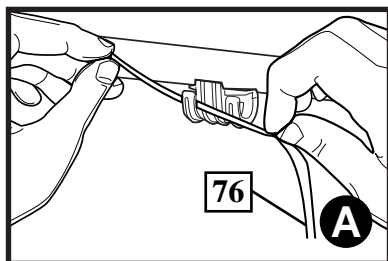


31.

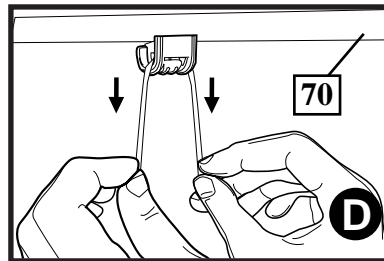
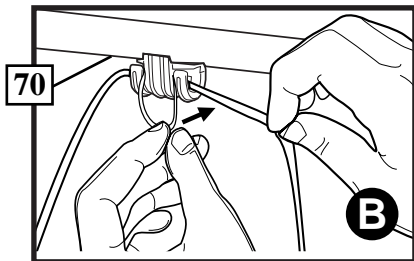
FRONT VIEW

BACK VIEW

**IMPORTANT!**  
(See Text Page)

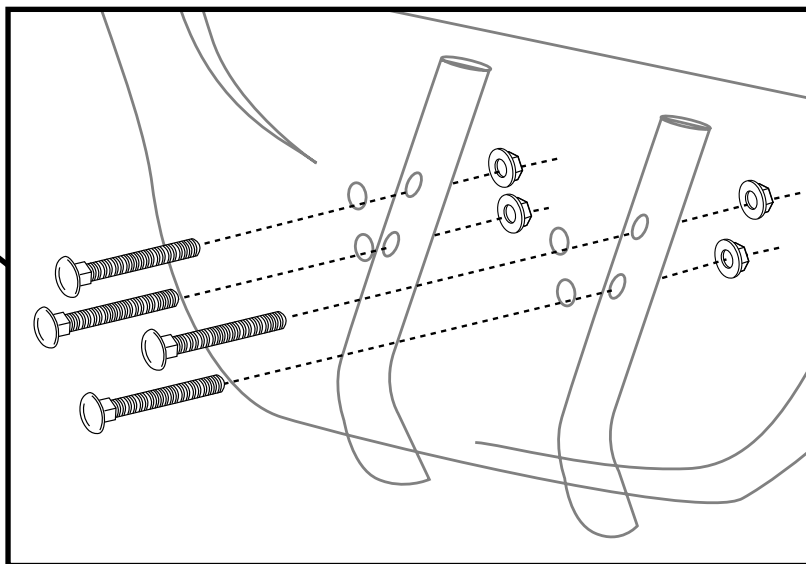
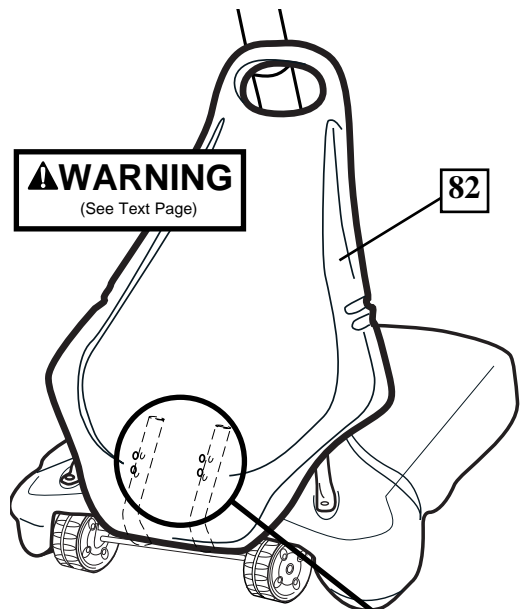


**Note**  
(See Text Page)



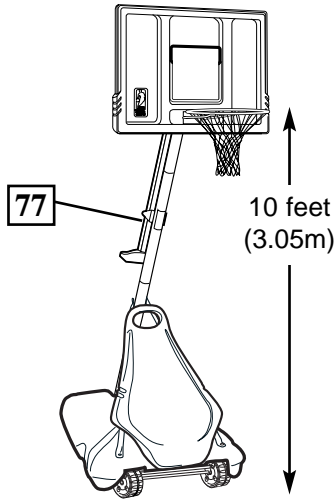
32.

**WARNING**  
(See Text Page)



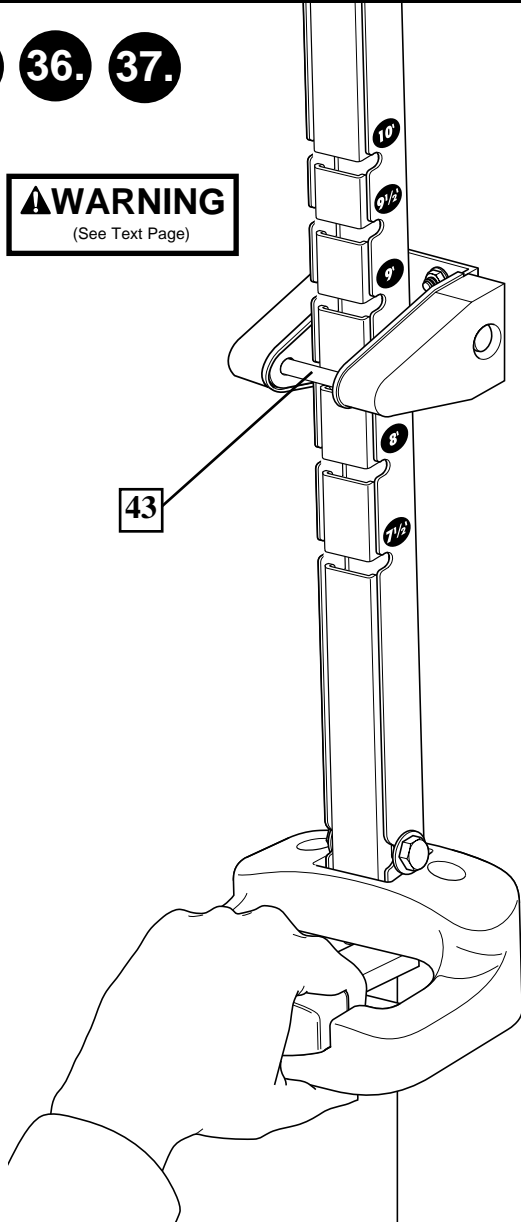


33.



35. 36. 37.

**WARNING**  
(See Text Page)



34.

