



Owner's Manual

16" Green Machine Assembly Instructions



**THIS DOCUMENT CONTAINS IMPORTANT SAFETY INFORMATION.
READ AND KEEP FOR FUTURE REFERENCE.**

Date of Purchase: _____

Please write the date of purchase.

You should also retain the sales receipt.



HGM-16 EN 110513 **m0023-bk**
Copyright Huffy Corporation 2013

HUFFY

Safety and Warning Information

PLEASE READ AND FULLY UNDERSTAND THIS OWNERS MANUAL BEFORE OPERATING THE PRODUCT



This symbol is important. It is the WARNING symbol. The warning symbol precedes safety instructions. Failure to follow these instructions may result in injury to the rider or to others, or damage to the product.

All wheeled vehicles will provide safe, enjoyable transportation and recreation when used and maintained properly. Like bicycling, skateboarding, and in-line skating, riding can be dangerous even under the best of circumstances. We do not want you to get hurt. Please follow all safety rules and operating instructions.

This toy should be used with caution since skill is required to avoid falls or collisions causing injury to the user or third parties.



WARNING:

- Adult assembly is required.
- Continuous adult supervision is required.
- Product does not have a brake - operator back pedals to slow or stop.
- Ensure rider can reach the pedals through full range of motion.
- Always wear a CPSC approved helmet while riding, with the chinstrap securely fastened.
- Always wear shoes when riding.
- Ride on smooth paved surfaces. Do not ride on streets or roadways.
- Always comply with local laws and regulations.
- Never use near motor vehicles.
- Do not ride on hills, steeply sloped areas, on or near steps, near swimming pools, or in alleys.
- Do not ride the product at dusk, at night or at times of limited visibility.
- Do not ride off road, on grass or wet surfaces.
- Do not ride the product over curbs or bumps that can damage the steering mechanism.
- Do not ride the product without the flag installed.
- Do not wear headphones or anything else that would impair your ability to hear or see.
- Do not jump or ramp product.

Safety and Warning Information - continued

- Do not tow the product.
- Do not pull any objects with the product.
- Do not push the product.
- Never ride with more than one person. Maximum weight is 80 lbs (36Kg).
- This product should only be used by persons 5+ years of age.
- Excessive weight may cause a hazardous or unstable condition.
- Replace worn or broken parts immediately.
- If anything does not operate properly, discontinue use.
- Understand all operating procedures before riding.
- Do not add a motor to the product.
- Do not modify the product.
- Before each ride check all screws and fasteners; re-tighten any that are loose. Replace any fasteners that are damaged.
- Know your limits. Be familiar with your abilities. Use common sense.

Assembly Notes

Tools necessary for assembly:

Phillips screwdriver

The instructions in this manual refer to the right and left side of the product, these are defined from the rider position.

Do not discard any parts until the unit is completely assembled.



Wheels & Axle:

- The wingnuts must be securely tightened to ensure rear wheels do not come loose from the axle.
- All hardware must be sufficiently tightened to ensure it does not come loose.

Pivot Bolt:

Pivot hardware must be correctly installed to ensure they do not come loose.

Steering Function:

- Over tightening the steering linkage may prevent the steering from operating properly.
- Pulling back on the right lever, and pushing forward on the left lever will turn the product towards the right.
- Pulling back on the left lever, and pushing forward on the right lever will turn the product towards the left.
- Steering this product takes some practice. Ensure the rider can properly steer the product. Practice in an open area.

Seat:

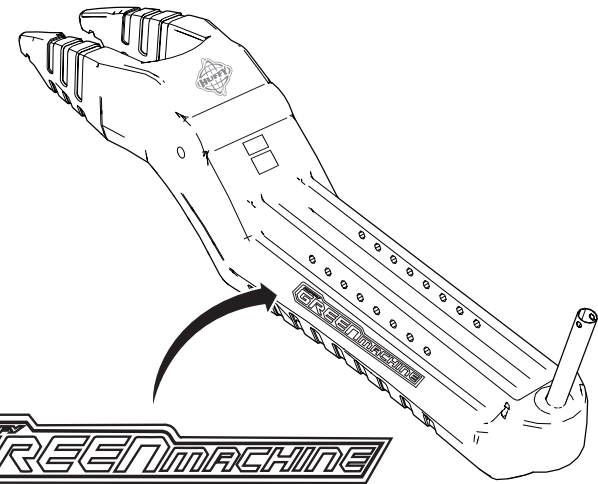
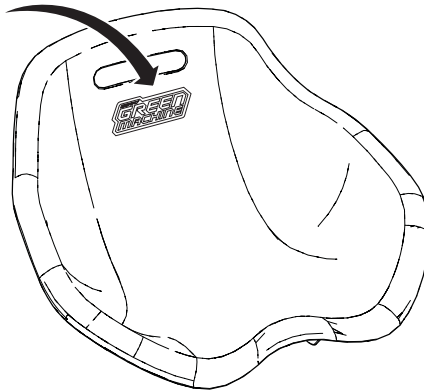
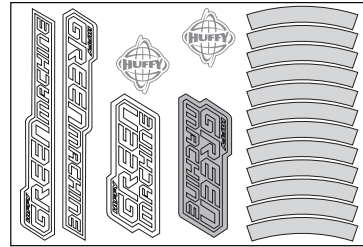
Secure the seat bolt each time the seat is moved.

Flag:

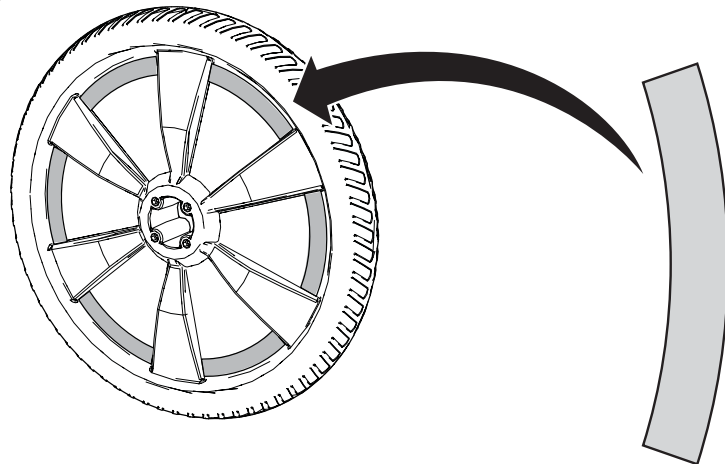
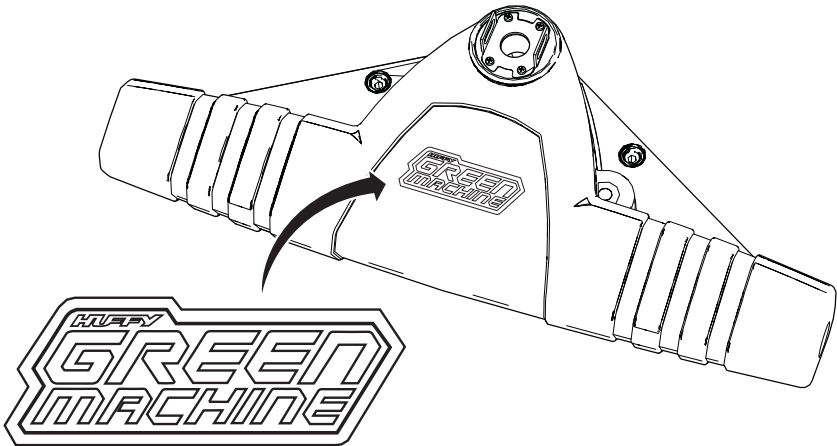
The flag is provided to make the rider and the product more visible. Do not use the product without the flag installed.

NOTE: APPLY LABELS PRIOR TO ASSEMBLY

001 LABEL SHEET



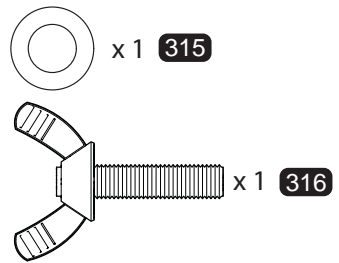
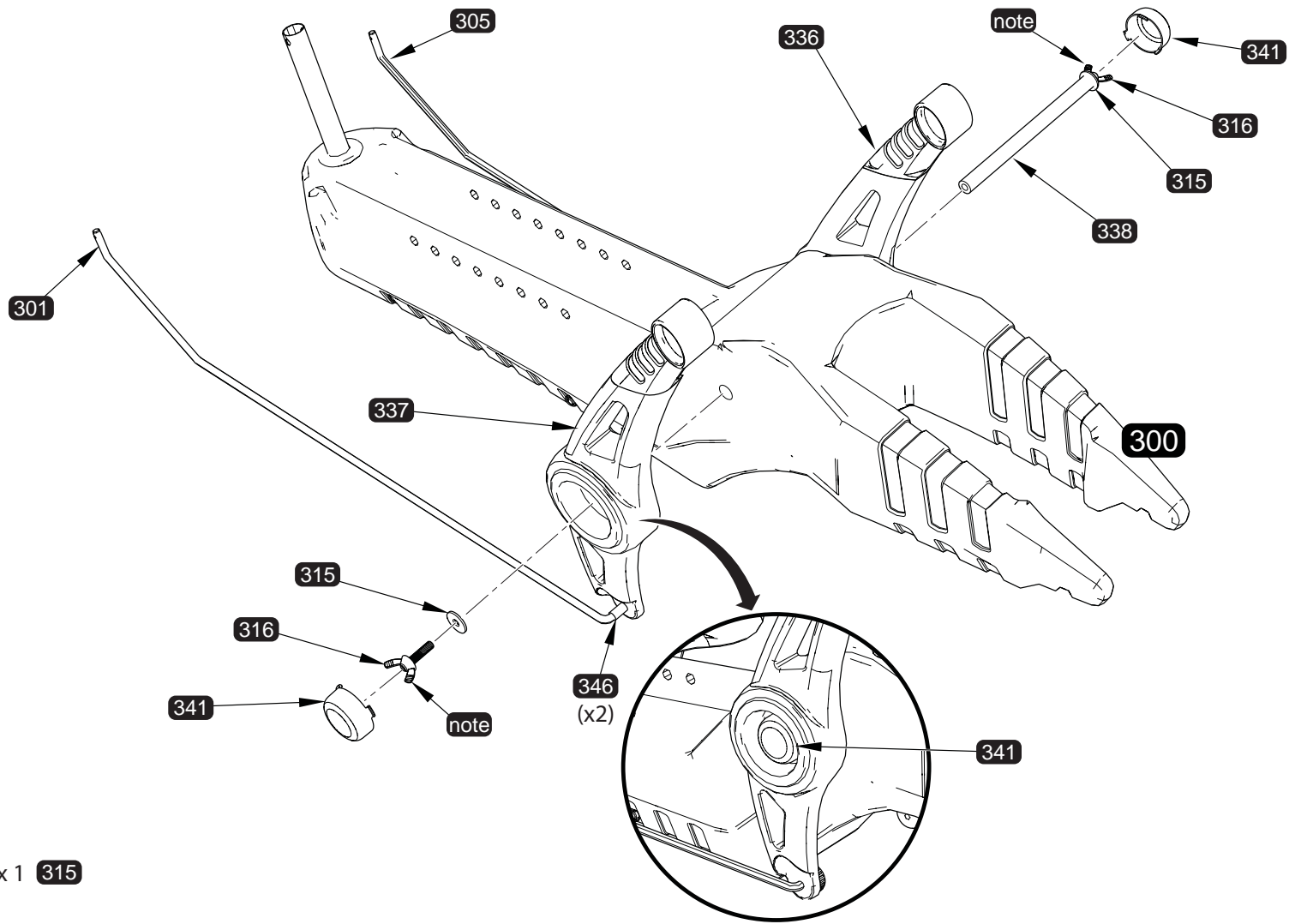
(both sides)



(both sides)

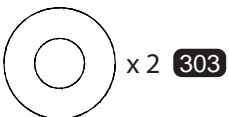
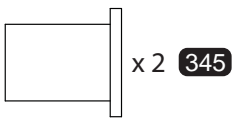
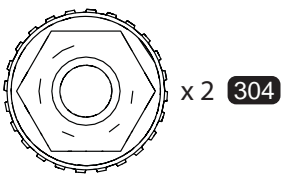
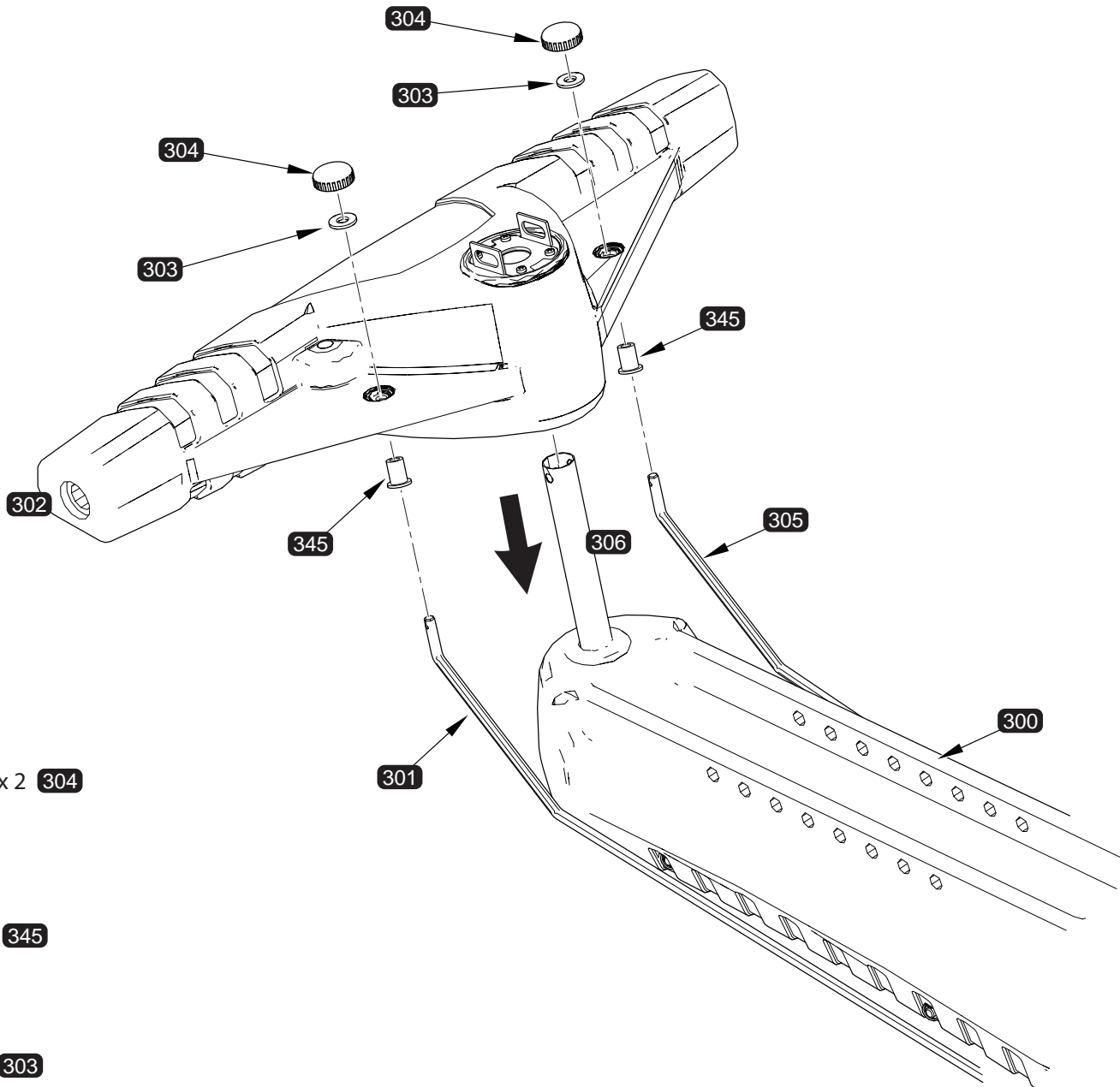
"Huffy" and "Green Machine" are registered trademarks of Huffy Corporation

1

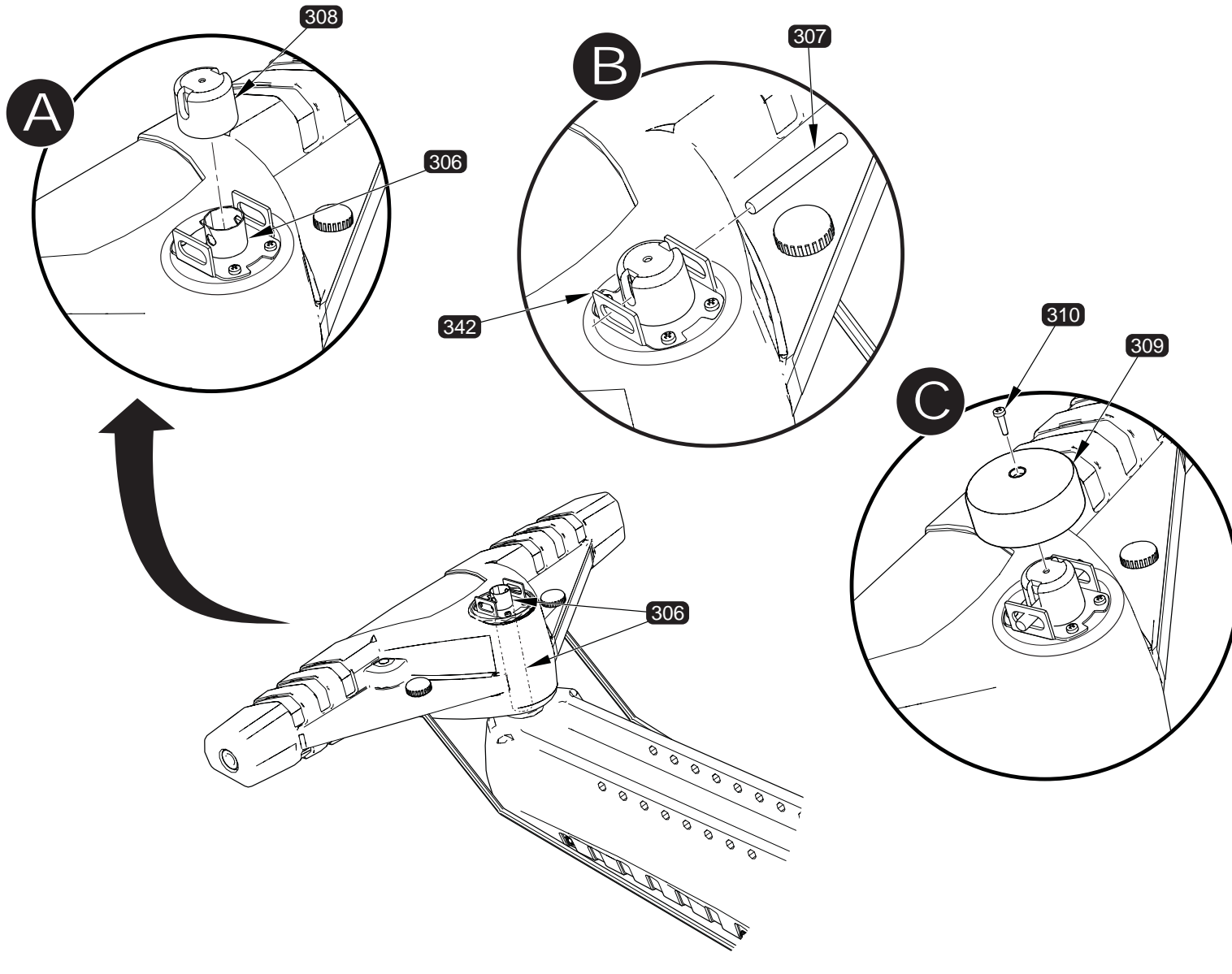



note WING BOLT MUST BE FULLY TIGHTENED BY HOLDING WING BOLTS AT BOTH ENDS OF AXLE.

2



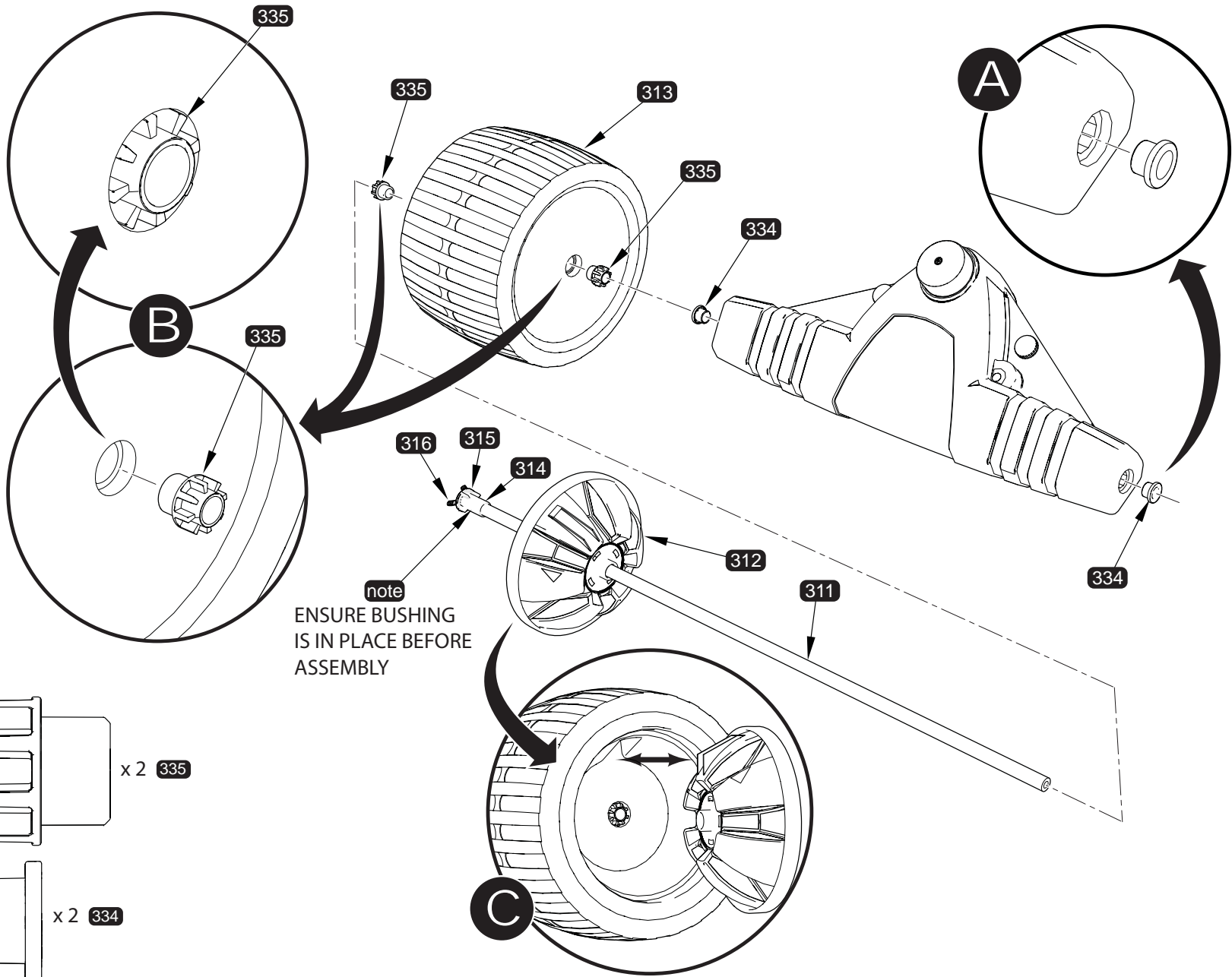
3



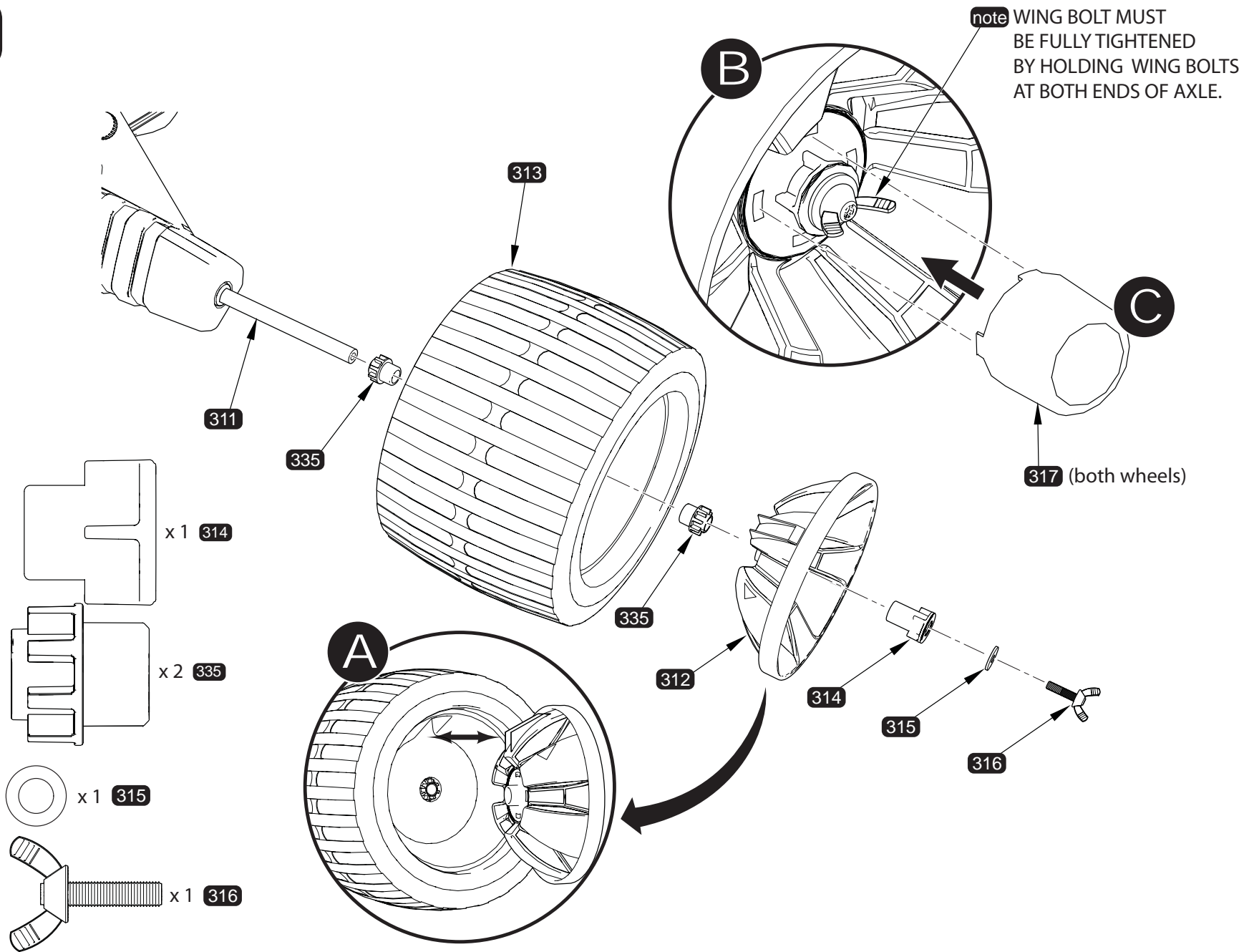
 x 1 **310**

 **Limiter Pin** x 1 **307**

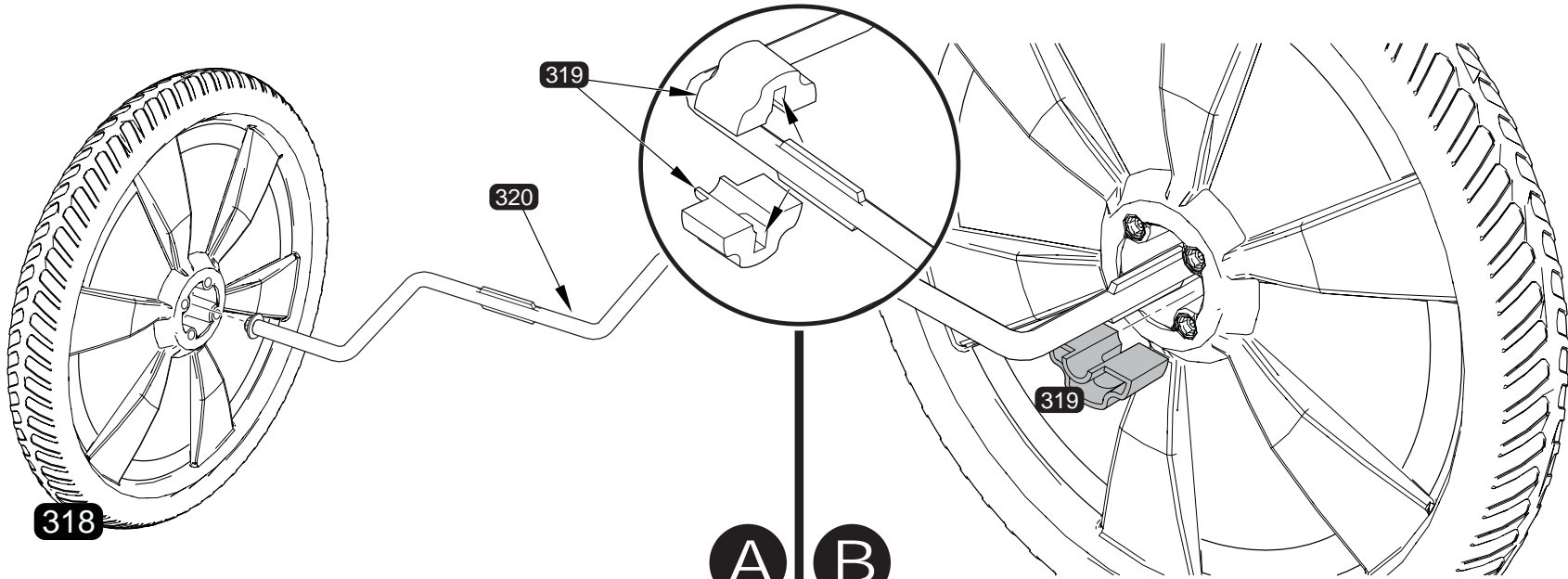
4



5

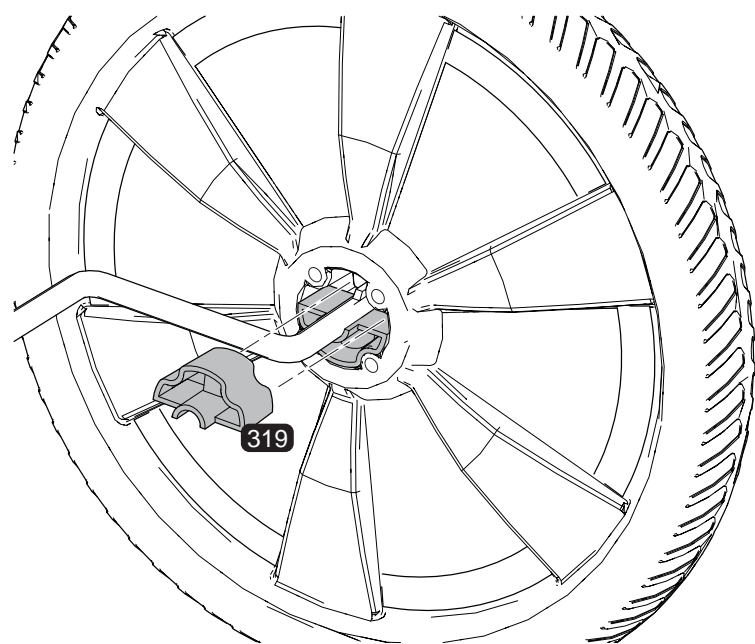


6



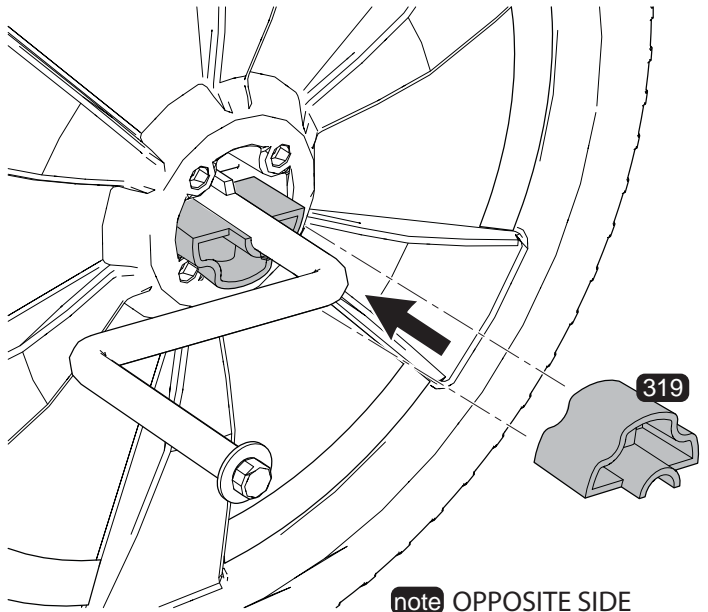
A

B



C

D

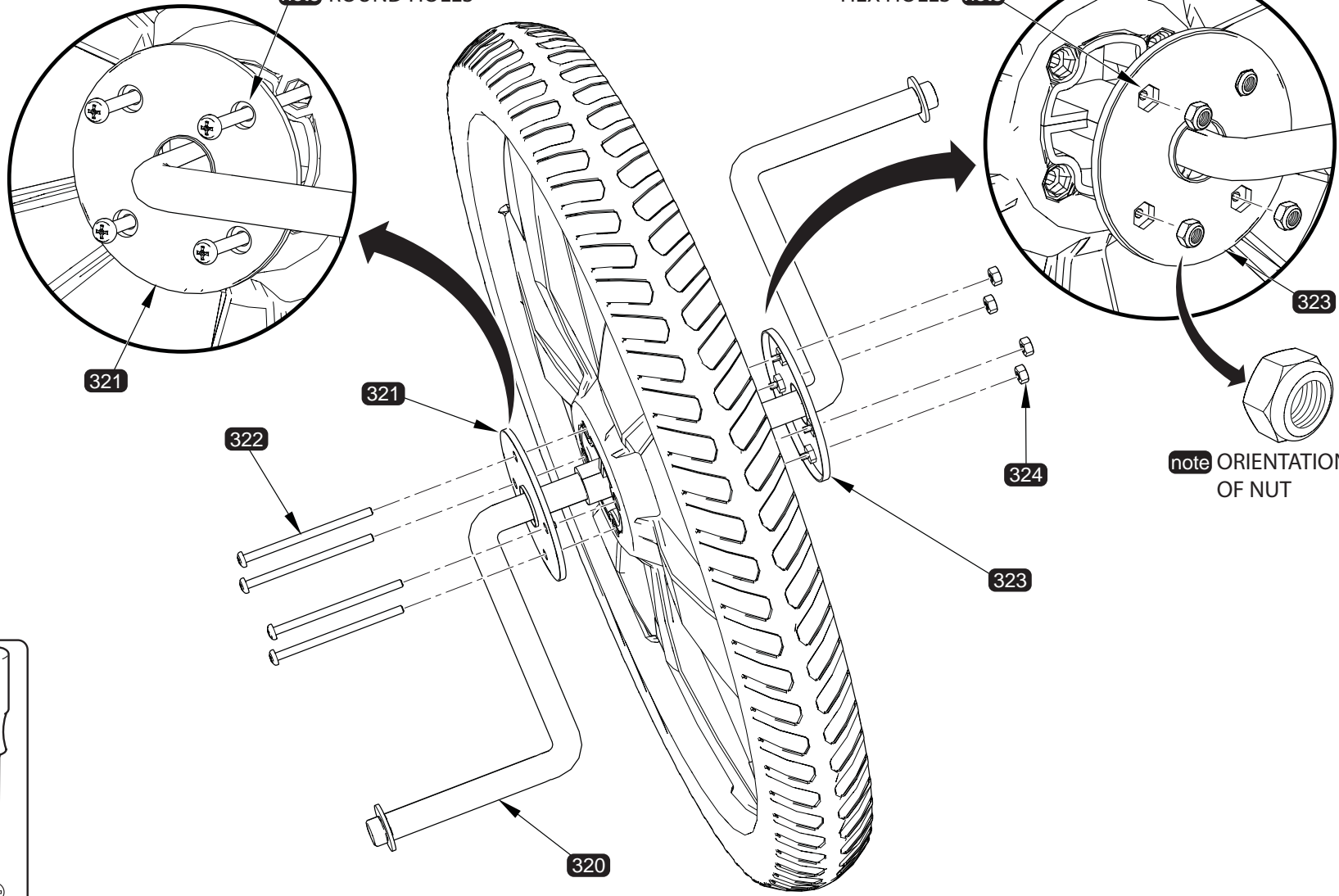


note OPPOSITE SIDE

7

note ROUND HOLES

HEX HOLES note



321

323

322

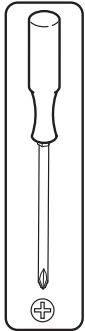
321

324

note ORIENTATION OF NUT

323

320

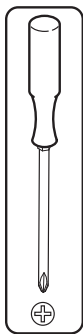
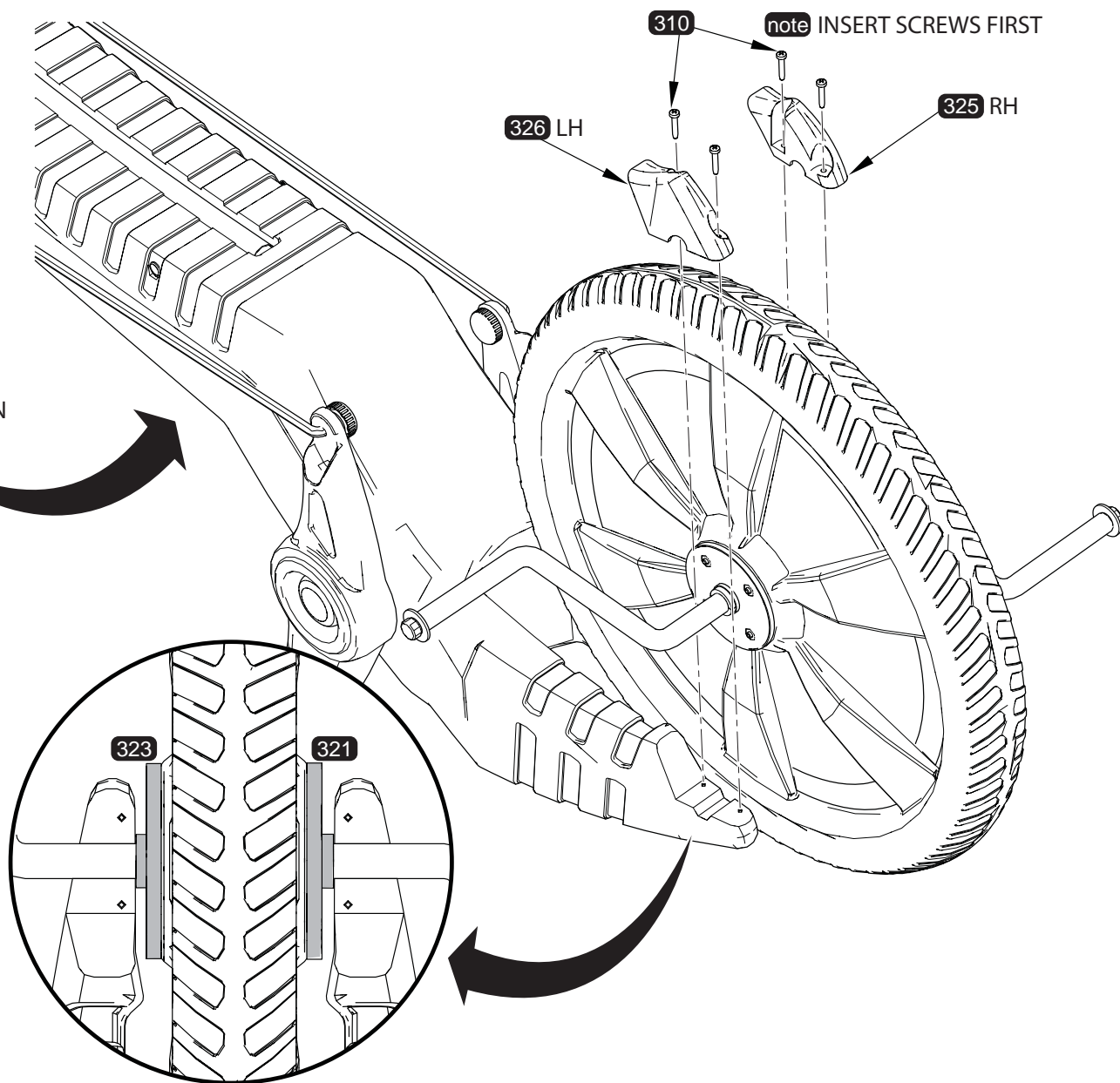



x 4 324

x 4 322

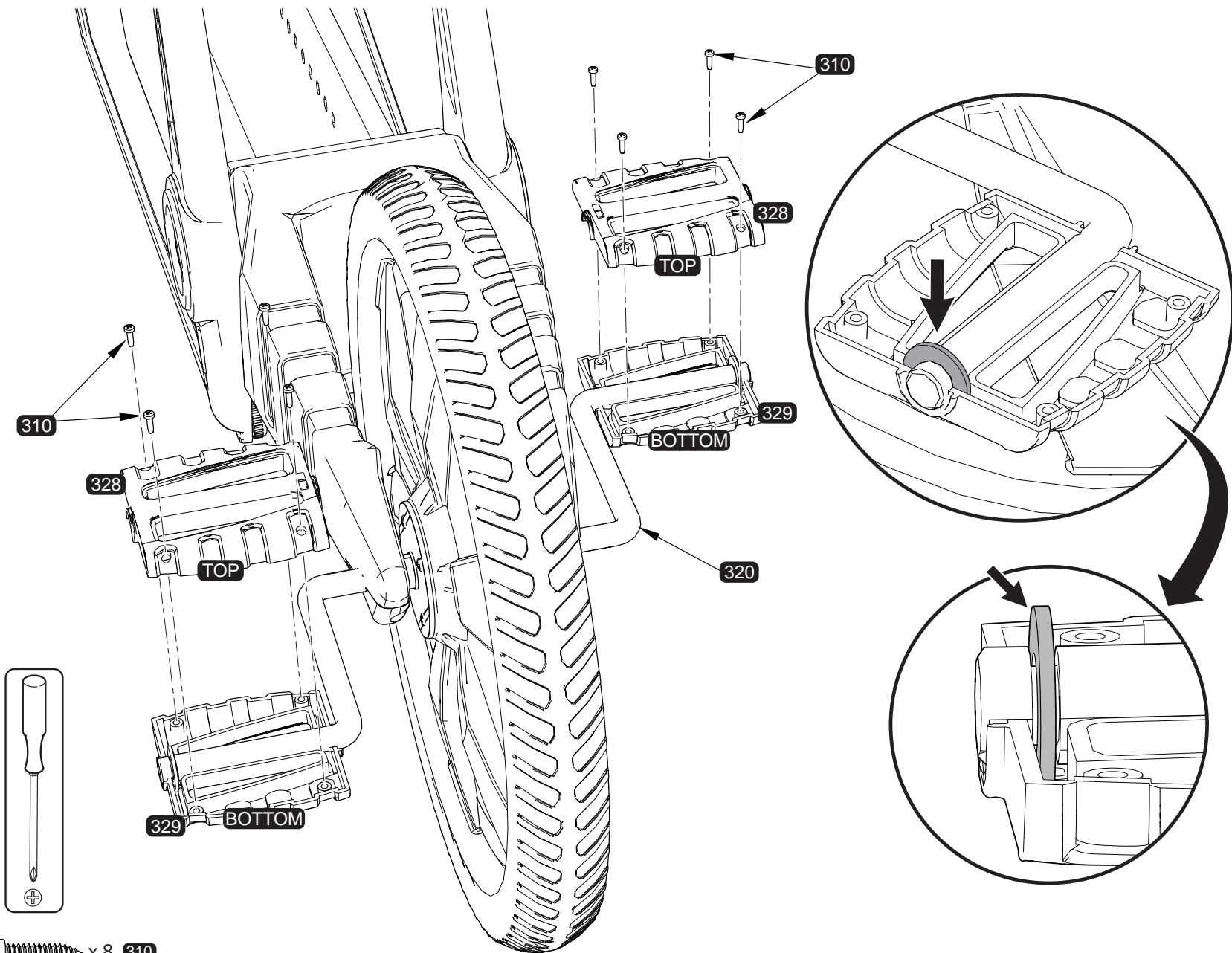
8


note
TURN UNIT UPSIDE DOWN



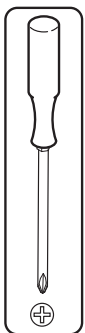
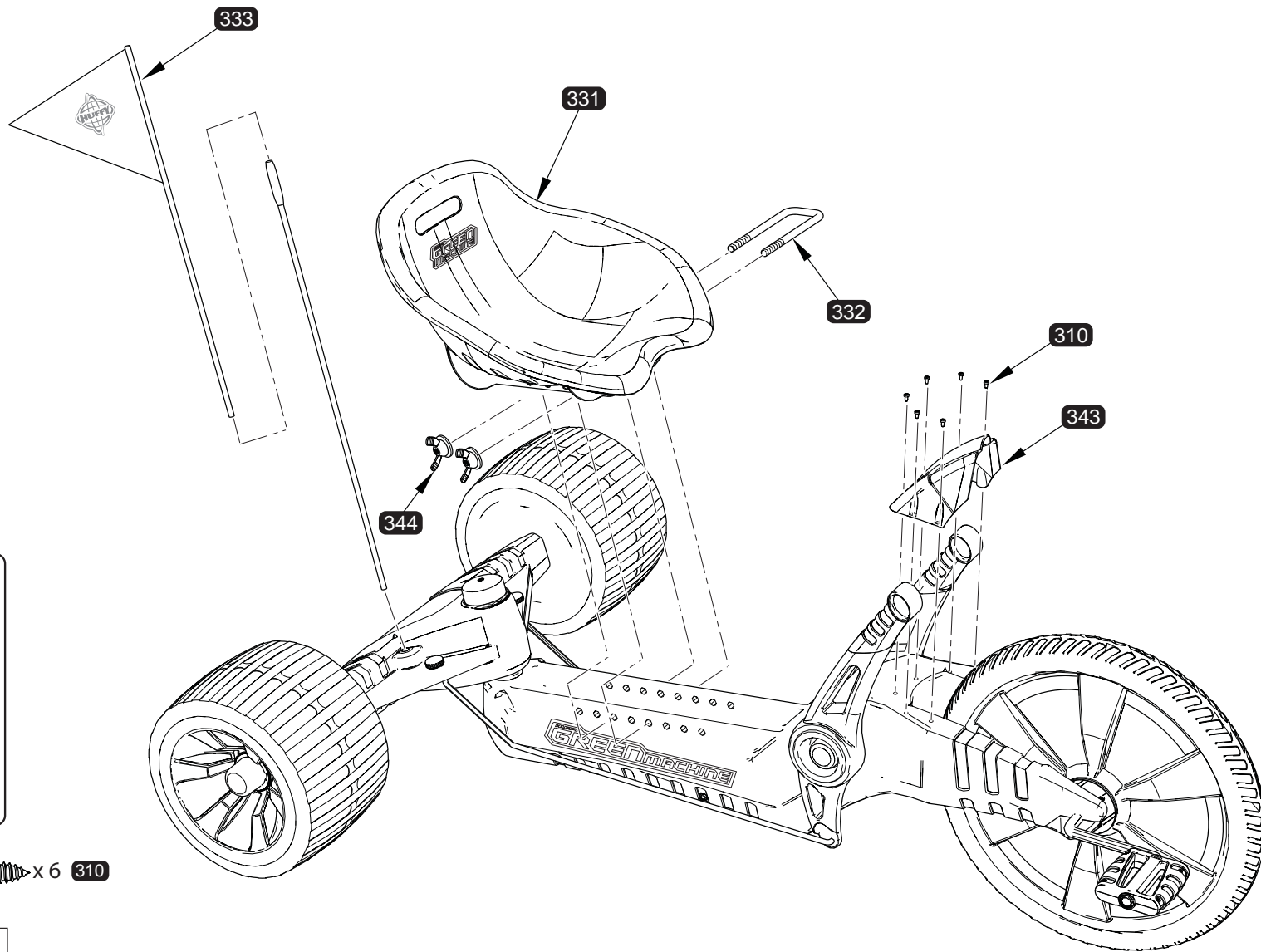
 x 4 **310**

9

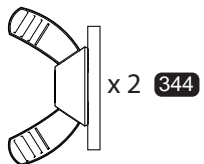


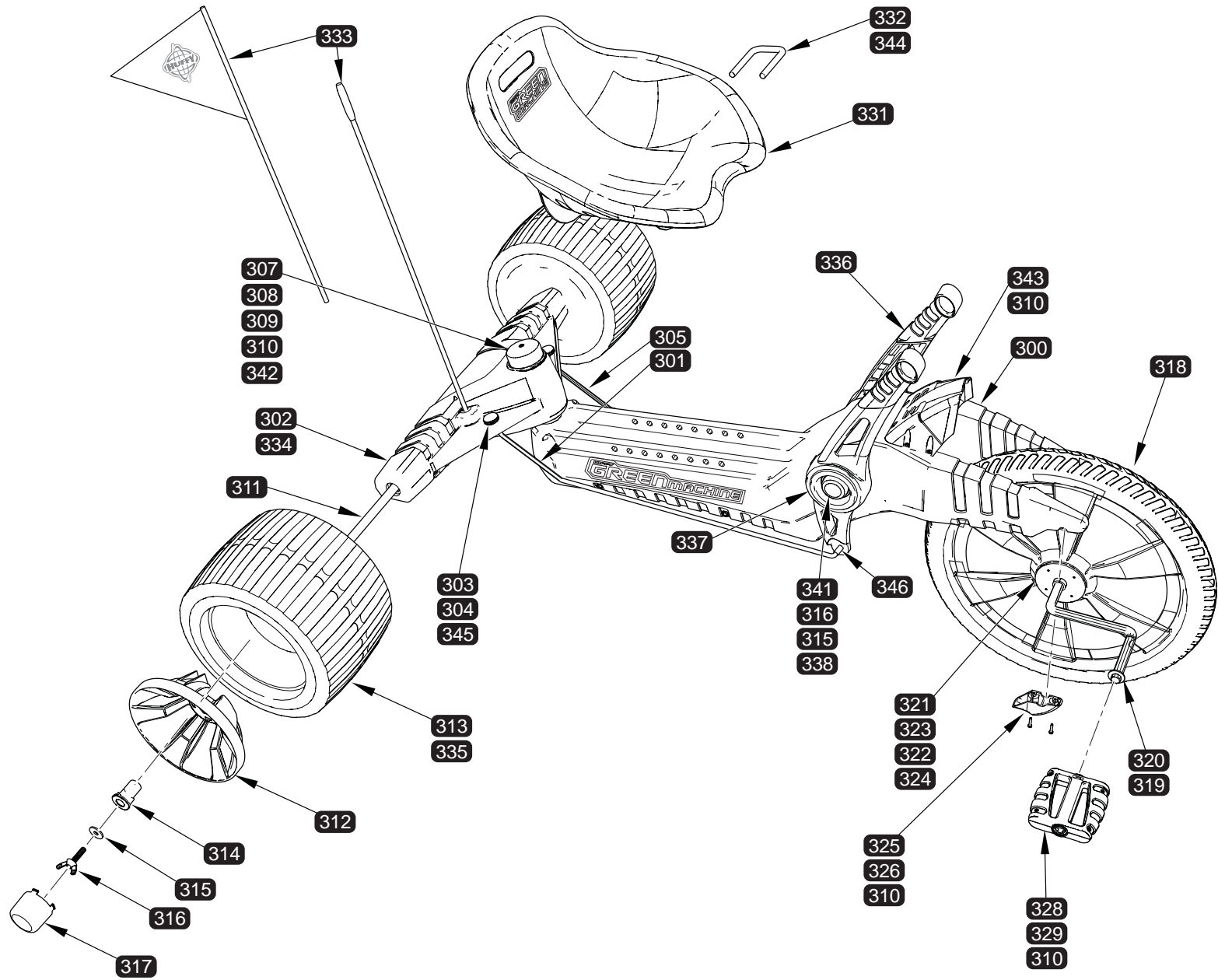
 x 8 310

10



x 6 310





ASSEMBLY PARTS LIST

<u>PAGE-ID</u>	<u>No.</u>	<u>DESCRIPTION</u>	<u>PAGE-ID</u>	<u>No.</u>	<u>DESCRIPTION</u>
Label Sheet	001	Label Sheet	4	315	Washer (x1)
1	300	Main Frame		316	Wing bolt (x1)
	336	Left Arm	5	317	End Cap (x2)
	337	Right Arm		314	Bushing (x1)
	338	Steering Shaft		315	Washer (x1)
	315	Washer (x1)		316	Wing bolt (x1)
	316	Wing Bolt (x1)		312	Hub Cap (x1)
	341	Cap (x2)		313	Tire (x1)
	305	Steering Linkage Left		335	Bushing (x2)
	301	Steering Linkage Right	6	318	Front Wheel
	346	Bushing (x2)		320	Crank
2	302	Rear Frame		319	Crank Keeper (x4)
	303	Washer (x2)	7	321	Keeper Plate (screw side)
	304	Cap Nut (x2)		323	Keeper Plate (nut side)
	345	Bushing (x2)		322	Screw (x4)
3	308	Steering Keeper		324	Nut (x4)
	306	Steering Tube	8	325	Axle Bracket Right
	342	Steering Limiter		326	Axle Bracket Left
	307	Limiter Pin		310	Screw (x4)
	309	Cap	9	328	Top Pedal (x2)
	310	Screw (x1)		329	Bottom Pedal (x2)
4	311	Axle Shaft		310	Screw (x 8)
	312	Hub Cap (x1)	10	331	Seat
	313	Tire (x1)		332	U-Bolt
	335	Bushing (x2)		333	Flag
	334	Bushing Insert (x2)		343	Fender
	314	Bushing (x1)		310	Screws (x6)
				344	Wingnut (x2)

Warranty Information

Part or model specifications are subject to change without notice.

This Limited Warranty is the only warranty for this product. There are no other expressed or implied warranties. The only uses for this product are described in this manual. Warranty registration is not required. This limited warranty extends only to the original consumer and is not transferable.

What does this Limited Warranty cover?

This Limited Warranty covers all parts of the product except the wheels, which have no warranty.

What must you do to keep the Limited Warranty in effect?

This Limited Warranty is effective only if:

- the product is completely and correctly assembled;
- the product is used under normal conditions for its intended purpose (see “Safety Information” for excluded activities);
- the product receives all necessary maintenance and adjustments.

What is not covered by this Limited Warranty?

This product is designed for recreational use only. This Limited Warranty does not cover normal wear and tear, normal maintenance items, or any damage, failure, or loss that is caused by improper assembly, maintenance, adjustment, storage, or use.

This Limited Warranty is void if the product is ever:

- used for stunt riding, jumping, acrobatics, or similar activity;
- used in any competitive sport;
- installed with a motor;
- modified in any way;
- ridden by more than one person at a time, or the weight limit is exceeded;
- rented;
- used in a manner contrary to the instructions in this manual.

How long does this Limited Warranty Last?

Excluding the wheels, all components are warranted for six (6) months from the date of purchase.

Warranty Information - continued

What will the manufacturer do?

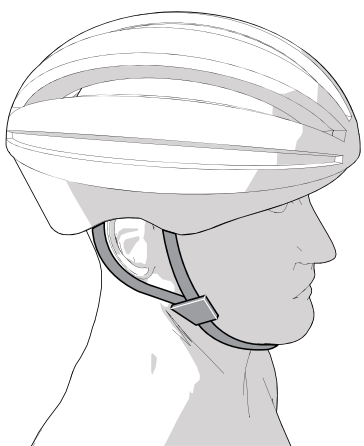
The manufacturer will replace, without charge to you, any component that does not meet this warranty. The original owner must pay all labor and transportation charges associated with the repair or warranty work.

How do you get service?

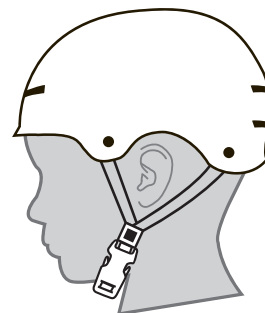
Phone Customer Service

What rights do you have?

This Limited Warranty gives you specific legal rights. You may also have other rights which vary from state to state.



**WARNING:
ALWAYS WEAR YOUR
HELMET WHEN RIDING
THIS PRODUCT!**



CORRECT



INCORRECT

- Helmet should sit level on your head and low on your forehead
- Adjust the strap sliders below the ear on both sides.
- Buckle the chin strap. Adjust strap until it is snug.
- No more than two fingers should fit between the strap and your chin.
- A proper fitting helmet should be comfortable and not rock forward/backward or side to side.
- Always read the user manual that comes with your helmet to make sure it is fitted and attached properly to the wearer's head according to the fitting instructions described in the user manual.

Check www.Huffy.com for the current contact information

H Helmet EN 100212 LB i0027