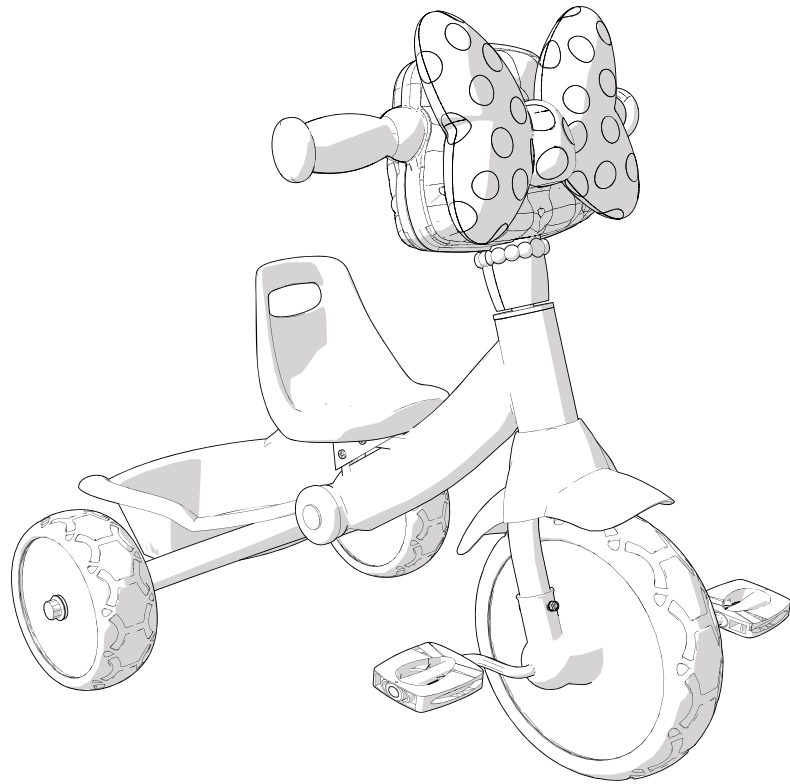




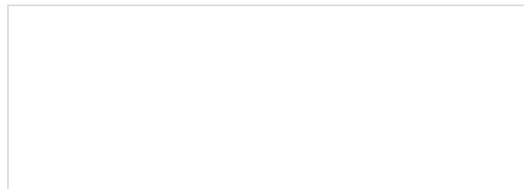
Owner's Manual for Minnie Lights & Sound Trike



**This manual contains important safety,
assembly, operation and maintenance
information.**

**Please read and fully understand this
manual before operation.**

Save this manual for future reference.



An adult must fold and unfold the product each time

Use only under adult supervision

Read and follow the instructions in this manual completely

The rider must always wear proper protective gear including a cpsc approved helmet while operating the product

If you have a problem with this product please call Customer Service - see Consumer Service contact info.

Safety Information

PLEASE READ AND FULLY UNDERSTAND THIS OWNERS MANUAL BEFORE OPERATING THE PRODUCT

KEEP THIS MANUAL FOR FUTURE REFERENCE



This symbol is important. It is the **WARNING** symbol. The warning symbol precedes safety instructions. Make sure the child understands these instructions. Failure to follow these instructions may result in injury to the rider or to others.



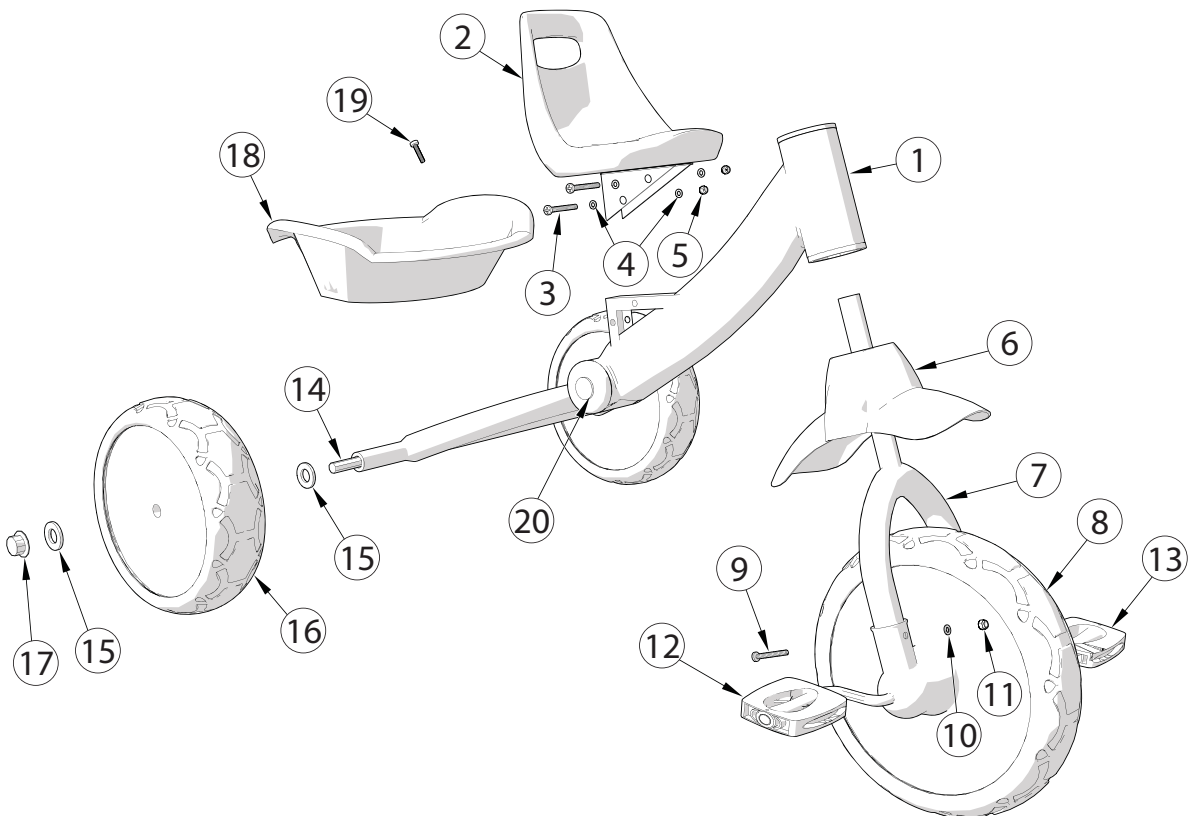
WARNING TO AVOID SERIOUS INJURY:

- An adult must unfold and fold this product
- Continuous adult supervision is required.
- This product should only be used by persons 3 years and up.
- Never ride with more than one person. Maximum weight is 27kg. (60 lbs).
- Do not allow a child to ride in the rear plastic bin.
- Maximum weight for the rear plastic bin is 2.3kg. (5 lbs). Excessive weight in the rear bin may cause a hazardous or unstable condition.
- Do not allow a child to ride without a properly fitted helmet that complies with US - CPSC 16 CFR 1203, with the chinstrap securely fastened.
- Do not allow a child to ride without shoes.
- Do not allow a child to ride the product at dusk, at night or at times of limited visibility.
- Never use near motor vehicles. Do not allow a child to ride on streets or alleys.
- Do not allow a child to ride off road, on grass or wet surfaces.
- Do not allow a child to ride on sloped driveways or hills.
- Do not allow a child to ride near steps.
- Do not allow a child to ride near swimming pool areas, or other bodies of water.

- Always comply with local laws and regulations.
- For use on smooth paved surfaces only.
- Understand all operating procedures before use.
- Do not tow or pull any objects with the product.
- Do not push or pull a child riding on the product.
- Replace worn or broken parts immediately.
- Handlebar hand grips and tube end plugs should be replaced if damaged, as bare tube ends have been known to cause injury. It is particularly important that bicycles and tricycles used by children are checked regularly to ensure that adequate protection for the ends of the handlebars are in place.
- Not suitable for children under 3 years as foam pieces may break off and pose a choking hazard.
- Replacement forks must have the same rake and tube inner diameter as the original product.

If you have any questions regarding the operation of this product, please refer to this owners manual or call Customer Service - see Consumer Service contact info.

Assembly & Adjustment Instructions



Assembly Exploded View

No.	Description	No.	Description
1	Frame	13	Pedal, Left
2	Seat	14	Axle
3	Screw (x2)	15	Washer (x4)
4	Washer (x4)	16	Rear Wheel (x2)
5	Nut (x2)	17	Locking Cap
6	Fender	18	Plastic Bin
7	Fork	19	Screw
8	Front Wheel	20	Lock Button
9	Screw (x2)	21	Lights & Sound Unit
10	Washer (x2)	22	Screw (x2)
11	Nut (x2)	23	Cap Nut (x2)
12	Pedal, Right	24	Covers

Assembly

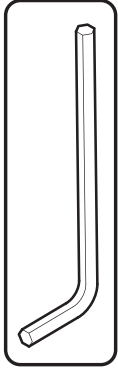
1. Assemble Seat (2) to Frame (1) as shown in Assembly View
2. Insert Screws (3) and Washers (4) into Seat and through Frame.
3. insert Washers (4) and Nuts (5) onto Screws and tighten securely.

To Unfold the Product:

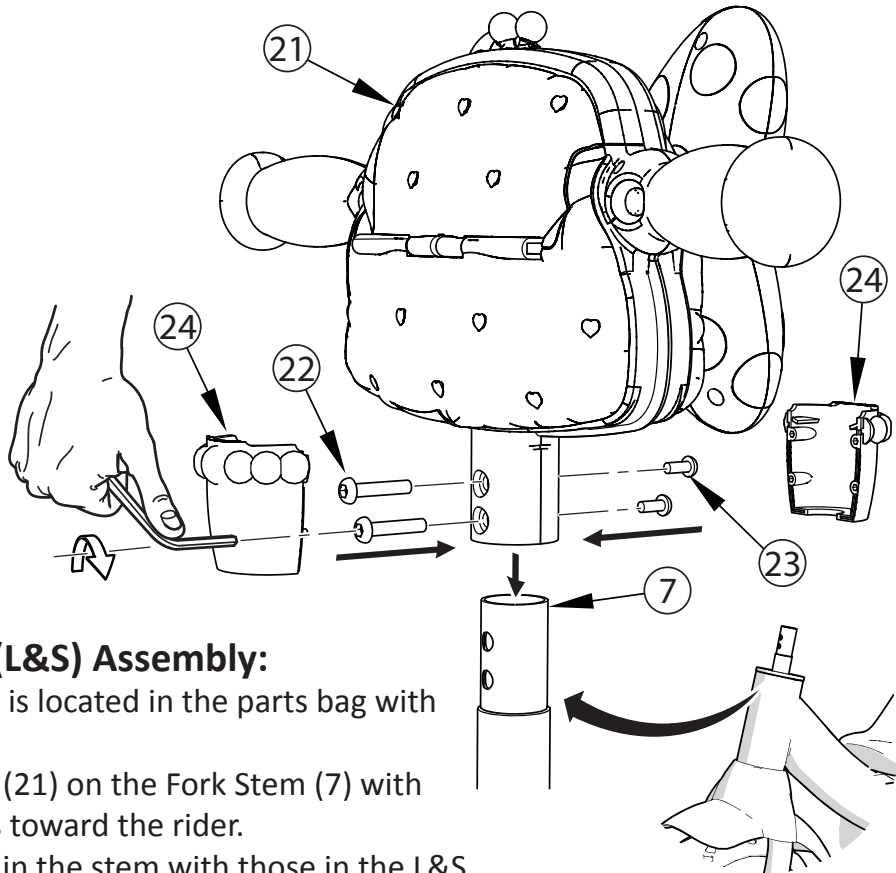
1. Push the lock button (20) located on the right side of the unit, under the seat. This releases the folding mechanism spring-loaded latch.
2. Pull the rear axle away from the front axle until the unit starts to unfold.
3. Gently push down on the seat until the folding mechanism latches into place.
4. Ensure the folding mechanism is latched by gently pulling upward on the seat.

To Fold the Product:

1. Push the lock button (20) located on the right side of the unit, under the seat. This releases the folding mechanism spring-loaded latch.
2. Gently lift on the seat until the unit starts to fold.
3. Push the front and rear axles together until the folding mechanism latches into the folded position.
4. Ensure the folding mechanism is latched by gently pushing downward on the seat.

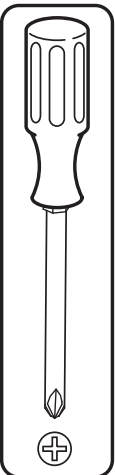
A

(supplied)

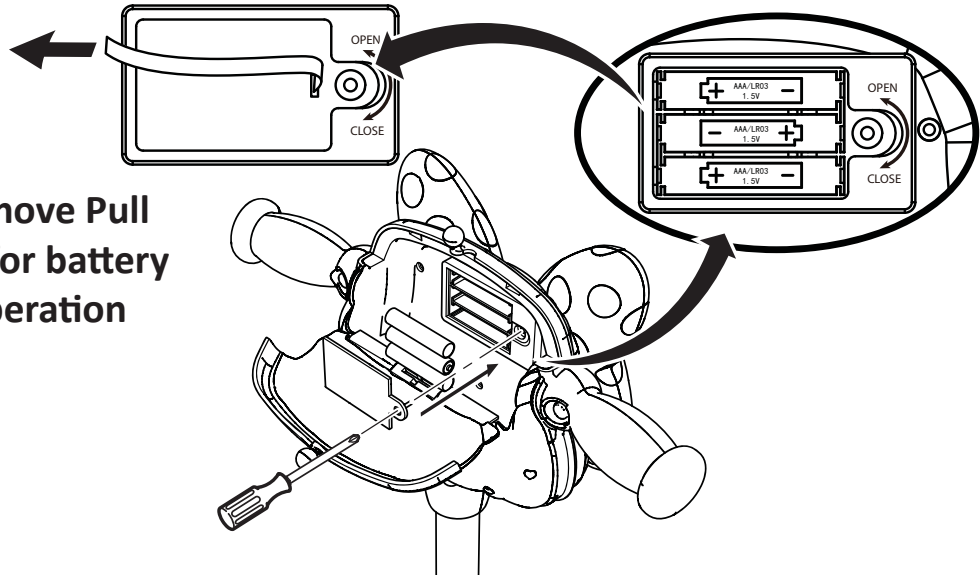
**Lights & Sound (L&S) Assembly:**

Assembly hardware is located in the parts bag with the product.

1. Locate the L&S (21) on the Fork Stem (7) with control buttons toward the rider.
2. Align the holes in the stem with those in the L&S.
3. Insert and tighten the Screws (22) and Cap Nuts (23) using the tool supplied.
4. Ensure hardware is secure so that it will not come loose.
5. Be careful not to over-tighten the hardware. This can damage the L&S and strip the threads in the hardware. Recommended torque is 88in-lbs (10Nm).
6. Snap the front and back covers (24) over the installed hardware.

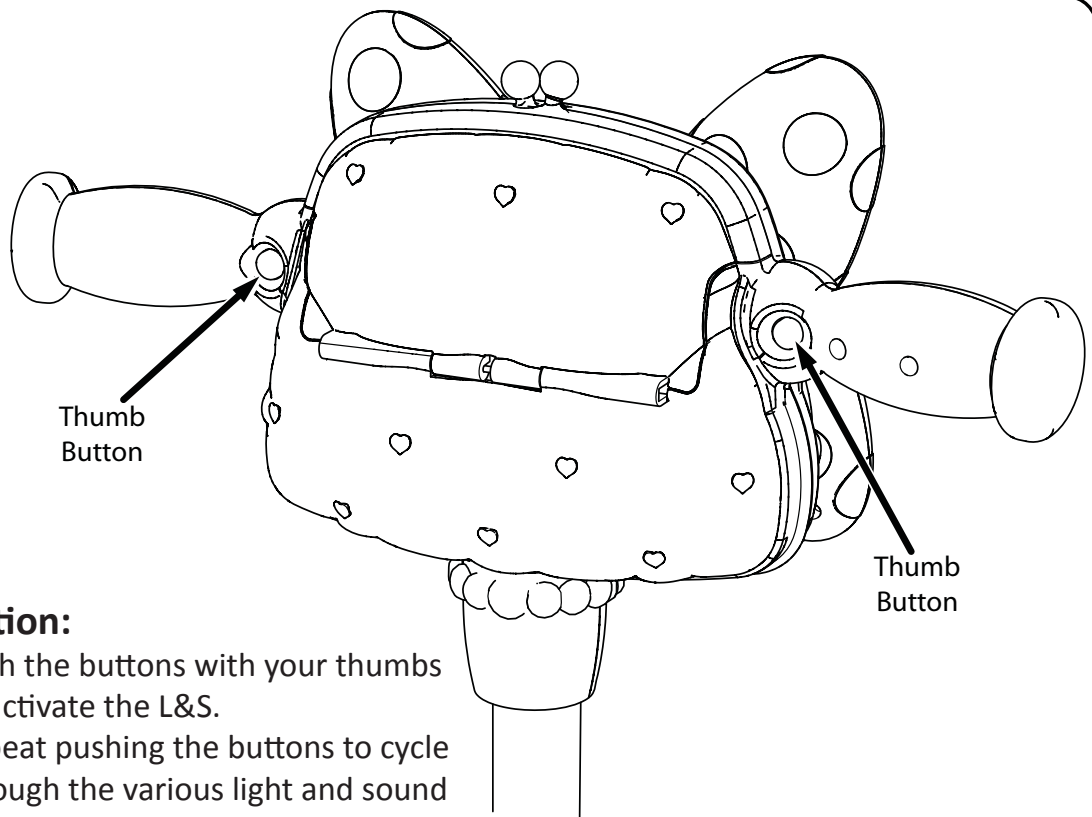
B

Remove Pull Tab for battery operation

**Battery Replacement:**

Batteries: DC 1.5V, AAA (included). The unit requires 3 batteries.

1. Open the door on the rear of the unit.
2. Loosen the battery compartment cover screw to remove the cover.
3. Insert batteries in the orientation shown inside the compartment.
4. Re-install the compartment cover and tighten the screw.



Operation:

- Push the buttons with your thumbs to activate the L&S.
- Repeat pushing the buttons to cycle through the various light and sound features.

If there are problems with operation – ensure the batteries are not low and they are properly installed.

To reset the unit - remove the batteries and re-install.



WARNINGS:

- Battery replacement is to be conducted by an adult.
- Dispose of batteries properly. Do not dispose of batteries in fire, batteries may explode or leak. Check local regulations for proper battery disposal.
- Non-rechargeable batteries are not to be recharged.
- Different types of batteries or new and used batteries are not to be mixed.
- Only batteries of the same or equivalent type as recommended are to be used.
- Batteries are to be inserted with the correct polarity.
- Keep the unit from getting wet.
- The battery supply terminals are not to be short-circuited.
- Rechargeable batteries are to be removed from the unit before being charged.
- Rechargeable batteries are only to be charged under adult supervision.

This unit produces flashing lights and light patterns. Although rare, it is possible for children to be susceptible to photosensitive seizures when exposed to certain flashing lights or light patterns. It is important that parents monitor their children while playing with this unit. To reduce exposure to such potential, play in a well-lit area and keep an appropriate distance from the flashing lights.

Parents must assess whether their child's capabilities, development and coordination is appropriate for use of this unit.

Huffy Corporation Limited Warranty

Part or model specifications are subject to change without notice.

This Limited Warranty is the only warranty for this product. There are no express warranties. The only uses for this product are described in this manual. Warranty registration is not required. This limited warranty extends only to the original consumer and is not transferable.

What does this Limited Warranty cover?

This Limited Warranty covers all parts of the product.

What must you do to keep the Limited Warranty in effect?

This Limited Warranty is effective only if:

- the product is completely and correctly assembled;
- the product is used under normal conditions for its intended purpose (see “Warnings” for excluded activities);
- the product receives all necessary maintenance and adjustments.

What is not covered by this Limited Warranty?

This product is designed for recreational use only. This Limited Warranty does not cover normal wear and tear, normal maintenance items, or any damage, failure, or loss that is caused by improper assembly, maintenance, adjustment, storage, or use.

This Limited Warranty is void if the product is ever:

- used for stunt riding, jumping, acrobatics, or similar activity;
- ridden by more than one person at a time, or the weight limit is exceeded;
- used in a manner contrary to the instructions in this manual.

How long does this Limited Warranty Last?

All components are warranted for 90 days from the date of purchase.

What will the manufacturer do?

The manufacturer will replace, without charge to you, any component found to be defective. The original owner must pay all labor and transportation charges associated with the repair or warranty work.

How do you get service?

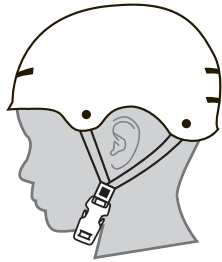
Phone Consumer Service - 1.800.872.2453

What rights do you have?

This Limited Warranty gives you specific legal rights. You may also have other rights which vary from state to state.



WARNING: ALWAYS WEAR YOUR HELMET WHEN RIDING THIS PRODUCT!



CORRECT



INCORRECT

- Helmet should sit level on your head and low on your forehead
- Adjust the strap sliders below the ear on both sides.
- Buckle the chin strap. Adjust strap until it is snug.
- No more than two fingers should fit between the strap and your chin.
- A proper fitting helmet should be comfortable and not rock forward/backward or side to side.
- Always read the user manual that comes with your helmet to make sure it is fitted and attached properly to the wearer's head according to the fitting instructions described in the user manual.

Check www.Huffy.com for the current contact information

H Helmet EN 100212 i0027