

This user manual is for common use
of EOS-1008C/XXX/PVR and EOS-1008C/XXX.
XXX refers to broadcasting brand and YYY refers to PVR.



vtr.com

EOS-1008C/XXX/YYY

USER MANUAL



Let's get started
to enjoy new
experience of
watching TV.

Contents

- 1. What is the new d-BOX EOS**
- 2. Get to know Remote Control**
- 3. Use the Main Menu**
- 4. How to Connect**
- 5. Appendix**

1. What is the new d-BOX EOS?

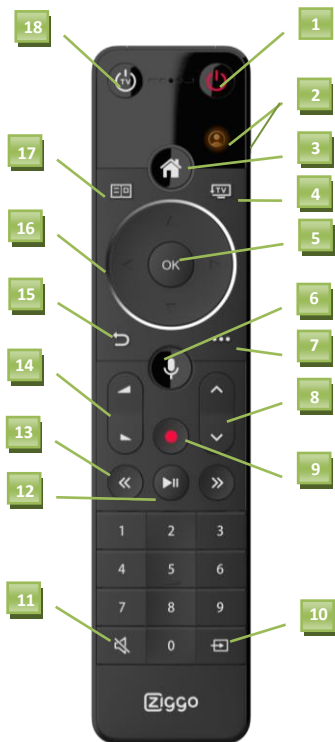
Meet the new generation of television offered by VTR through the new d-BOX EOS, where you can experience a completely personalized entertainment service. The new d-BOX EOS is a state-of-the-art service that offers you high definition television. With the new d-BOX EOS, you can record up to 4 programs simultaneously while you are watching another channel, so you can enjoy them whenever you want. The VTR On Demand (VOD) service with sensible and user-friendly interface makes it easy to search content and recommends content according to what you have seen and applications to use from your TV.

You can access these new features with your new remote control. Adopting RF technology and supporting voice command, the new remote control allows you to manipulate the d-BOX EOS conveniently.



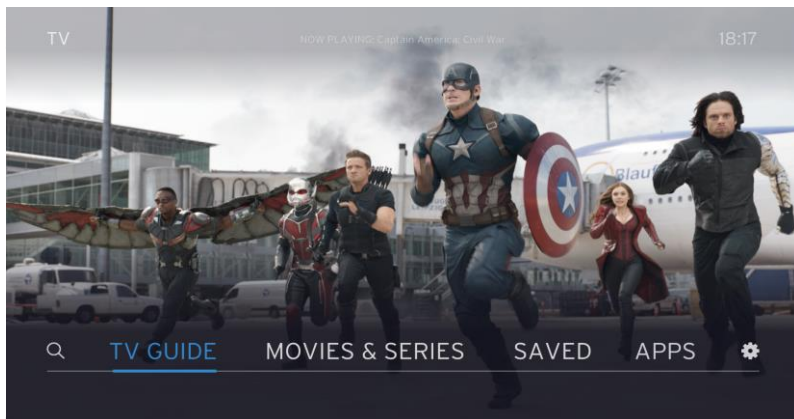
1. What is the
BO

2. Get to Know Remote Control



1. Turn on or off d-BOX EOS.
2. Access the profiles.
3. Access the main menu.
4. Return to TV.
5. Select or confirm a menu.
6. Access voice commands.
7. Programme information.
8. Volume up and down.
9. Record programme.
10. Exit.
11. Mute.
12. Play or pause.
13. Rewind / Forward.
14. Change channels.
15. Return to the previous screen.
16. Navigation arrows
17. Access the recording list.
18. Turn on or off TV.

3. Use the Main Menu



You can find all the interface functions of your new d-BOX EOS in the main menu.

Press the menu button to have access to the main menu

Press the arrow buttons to navigate the menu options.

Press the OK button to get the corresponding submenus.

Press the Back button to exit the main menu.

TV GUIDE

You can access all available channels.

MOVIES & SERIES

You can search content in linear channels, recorded recordings and VOD.

SAVED

You can access recorded programmes.

APPS

You can access apps such as Netflix, Youtube and TV Shop.

4. How to Connect

1. Activate

Call us at **600 800 9000** to activate.

2. Connect d-BOX

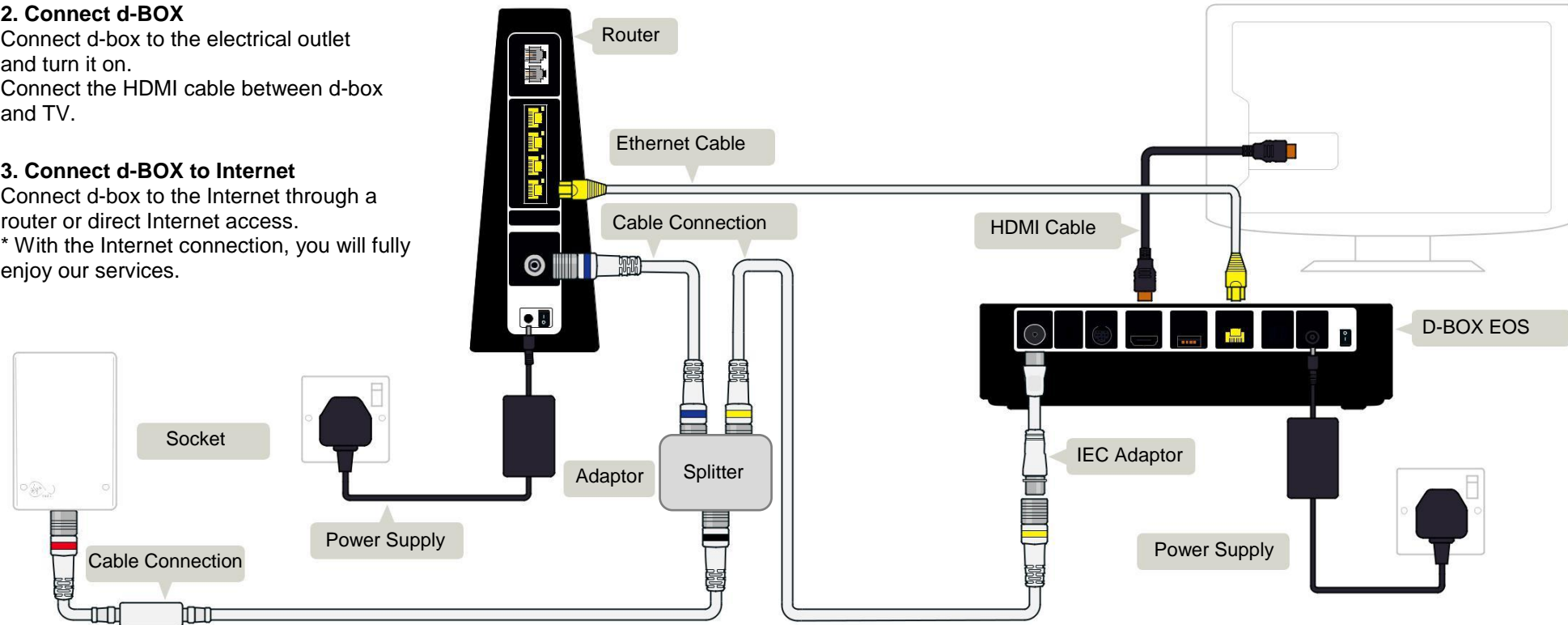
Connect d-box to the electrical outlet and turn it on.
Connect the HDMI cable between d-box and TV.

3. Connect d-BOX to Internet

Connect d-box to the Internet through a router or direct Internet access.
* With the Internet connection, you will fully enjoy our services.

4. Connect TV

Connect d-box to your TV.



5. Appendix

Notice

Please read this user manual carefully to be able to safely install, use and maintain the product at maximum performance. Keep this user manual next to your product for future reference. The information in this guide is subject to change without notice.

Copyright

Not to be copied, used or translated in part or whole without prior consent in writing except approval of ownership of copyright and copyright law.

Warranty

The warranty does not cover parts which may become defective due to misuse of the information contained in this manual.

'WEEE' Instructions

This product should not be disposed with other household wastes at the end of its working life. Please separate this from other types of wastes and recycle it responsibly to promote the sustainable reuse of material resources. This will prevent possible harm to the environment or human health from uncontrolled waste disposal.

Domestic users: Please contact either the retailer where you purchased this product or their local government office for details of where and how they can take this item for environmentally safe recycling.

Business users: Contact your supplier and check the terms and conditions of the purchase contract. This product should not be mixed with other commercial wastes for disposal.

Trademarks

- Nagravision is a registered trademark of KUDELSKI S.A.
- Manufactured under license from Dolby Laboratories.
Dolby, Dolby Audio and the double-D symbol are trademarks of Dolby Laboratories.
- HDMI, the HDMI Logo, and High-Definition Multimedia interface are trademarks and registered trademarks of HDMI Licensing LLC. **HDMI**
- This item incorporates copy protection technology that is protected by U.S. patents and other intellectual property rights of Rovi Corporation. Reverse engineering and disassembly are prohibited.

For Your Safety

Safety Instructions

- Operate this product only from the type of power supply shown on the marking label. If you do not know the type of power supplied to your home, contact your local power company.
- Make sure that the wall outlet, extension cord and adapter have a sufficient power rating for the appliance. If not, this can cause an electric fire shock.
- Do not expose this product to liquids. Do not put objects filled with liquid on the product.
- Disconnect the product from the wall outlet before you clean it.
- Use a moist cloth to clean the product. Do not use solvents. Wipe the surface gently with a soft cloth as it may get scratched.
- Make sure that the slots on the product are not blocked. It is necessary to have a sufficient airflow into the unit.
- Do not put electronic equipment on the product.
- Do not put objects on the product. This will block the ventilation or cause damage to the surface.
- Do not use any unsupported attachments as these may be hazardous or cause damage to the product.
- Unplug the product from the wall outlet and disconnect the antenna during a thunder storm or when left unattended and unused for long periods of time. This will prevent damage to the unit due to lightning and power-surges.
- Do not insert anything through the openings in the unit, where they can

touch dangerous voltage points or damage parts.

- When replacement of parts is required, be sure the service technician uses replacement parts specified by the manufacturer or those that have the same characteristics as the original part. Unauthorized substitution may result in additional damage to the unit.
- Disconnect the power supply before you connect or disconnect the cable from the satellite dish/cable TV signal/aerial. If not, this can cause damage to the LNB/cable TV line/aerial.
- Disconnect the power supply before you connect or disconnect the cable from the TV. If not, this can cause damage to the TV.
- Earth the LNB cable to the system earth for the satellite dish.
- Place the product indoors to avoid exposure to lightning, rain or sun. Do not place it near a radiator or heat register.
- Keep at least 10cm clearance from any other appliances susceptible to electromagnetic influences such as a TV or a VCR.
- If you place the product on a rack or a bookcase, make sure that there is adequate ventilation and that you have followed the manufacturer's instructions for mounting.
- Do not place the product on an unstable surface where it can fall. A falling product can cause serious injury to a personnel and serious damage to the appliance.

Cautions and Warnings

1. To avoid damage of the power cord or plug

- Do not modify or process the power cord or plug arbitrarily.
- Do not bend or twist the power cord.
- Make sure to disconnect the power cord while you hold the plug.
- Keep heating appliances as far as possible from the power cord to prevent the cover vinyl from melting.
- The mains plug, as a disconnection device, shall remain readily accessible by the user.
- All-pole main switch shall remain readily operable.

2. To avoid electrical shock

- Do not open the main body.
- Do not insert metal or inflammable objects inside the product.
- Do not touch the power plug with wet hands.
- Disconnect the power cord in case of lightning.
- Unplug the power cable before you install the antenna cable.

3. To avoid damage of product

- Do not use the product when it is out of order. If you continue to use the product when defective, this may cause serious damage. Make sure to contact the customer service centre if the product is out of order.
- Do not insert metal or alien substance into the slots for the modules or Smartcards. It may cause damage to the product and reduce its life span.

- Do not overly pile objects on the product. It may cause cracks, deformation and discoloration.

Important Safety Instructions

1. Read these instruction.
2. Keep these instruction.
3. Heed all warnings.
4. Follow all instructions.
5. Do not use this apparatus near water
6. Clean only with dry cloth.
7. Do not block any ventilation openings. Install in accordance with the manufacturer's instructions.
8. Do not install near any heat sources such as radiators, heat registers stoves, or other apparatus (including amplifiers) that produce heat.
9. Do not defeat the safety purpose of the polarized or grounding-type plug. A polarized plug has two blades with one wider than the other. A grounding type plug has two blades and a third grounding prong. The wide blade or the third prong are provided for your safety. If the provided plug does not fit into your outlet, consult an electrician for replacement of the obsolete outlet.
10. Protect the power cord from being walked on or pinched particularly at plugs, convenience receptacles, and the point where they exit from the apparatus.
11. Only use attachments/accessories specified by the manufacturer.
12. Use only with the cart, stand, tripod, bracket, or table specified by the manufacturer, or sold with the apparatus. When a cart is used, use caution when moving the cart/apparatus combination to avoid injury from tip-over.
13. Unplug this apparatus during lightning storms or when unused for long periods of time
14. Refer all servicing to qualified service personnel. Servicing is required when the apparatus has been damaged in any way, such as power supply cord or plug is damaged, liquid has been spilled or objects have fallen into the

apparatus, the apparatus has been exposed to rain or moisture, does not operate normally, or has been dropped.

15. Apparatus shall not be exposed to dripping or splashing and no objects filled with liquids, such as vases, shall be placed on the apparatus.

FCC CUSTOMER INFORMATION

This device complies with Part 15 of the FCC Rules. Operation is subject to the following two conditions:

- (1) this device may not cause harmful interference, and
- (2) this device must accept any interference received, including interference that may cause undesired operations.

“CAUTION: Exposure to Radio Frequency Radiation.

Antenna shall be mounted in such a manner to minimize the potential for human contact during normal operation. The antenna should not be contacted during operation to avoid the possibility of exceeding the FCC radio frequency exposure limit. The minimum separation distance of 20cm from the antenna to the body of user required.”

§ 15.105 Information to the user.

Note: This equipment has been tested and found to comply with the limits for a Class B digital device, pursuant to part 15 of the FCC Rules. These limits are designed to provide reasonable protection against harmful interference in a residential installation. This equipment generates uses and can radiate radio frequency energy and, if not installed and used in accordance with the instructions, may cause harmful interference to radio communications.

However, there is no guarantee that interference will not occur in a particular

installation. If this equipment does cause harmful interference to radio or television reception, which can be determined by turning the equipment off and on, the user is encouraged to try to correct the interference by one or more of the following measures:

- Reorient or relocate the receiving antenna.
- Increase the separation between the equipment and receiver.
- Connect the equipment into an outlet on a circuit different from that to which the receiver is connected.
- Consult the dealer or an experienced radio/TV technician for help.

WARNING

To reduce the risk of fire or electric shock, do not expose this product to rain or moisture.

The apparatus shall not be exposed to dripping or splashing and no objects filled with liquids, such as vases, shall be placed on the apparatus.

To prevent malfunction caused by temperature, do not use the product in a closed space with less than 3 inches of clearance from the right/left/top of the product.

Changes or modifications not expressly approved by the manufacturer could void the user's authority to operate the equipment.

Specification

Power Supply

Power Type: External Adaptor

Power Consumption: Max. 48W (Standby: under 0.5W)

Input Voltage: AC 100~240, 50/60Hz

Protection: Separate Internal Fuse & Lightning protection

Physical Specification

Size (W x H x D): 352 x 55 x 238 (mm)

Weight: 1.7kg