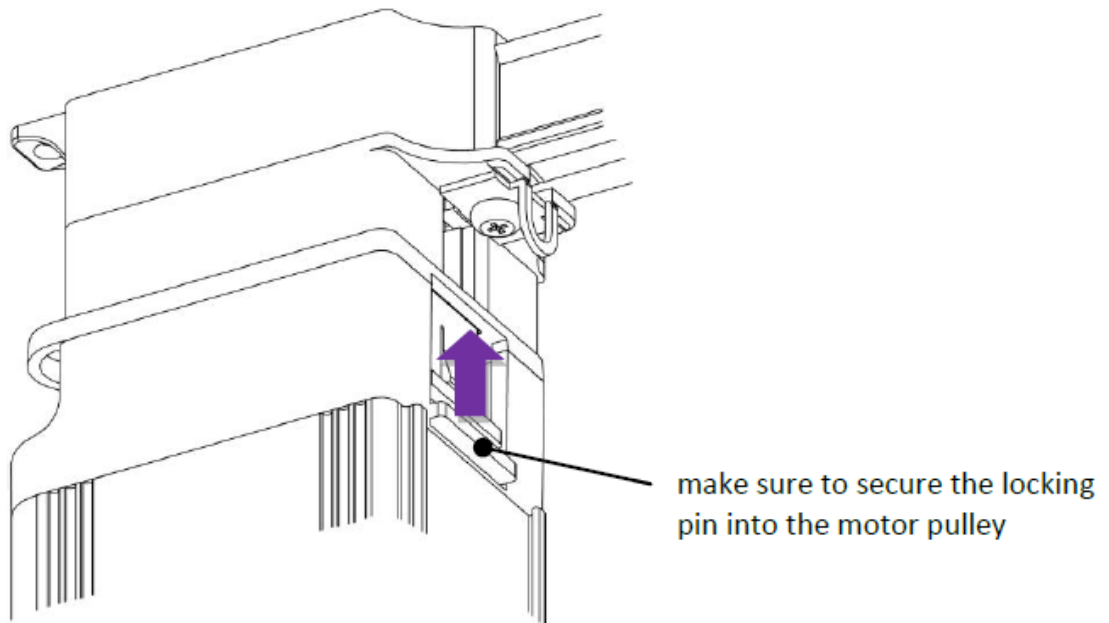


**PowerView® Curtain
Track Transceiver
User Manual**

Installing the **Curtain track with Powerview®** Transceiver

Installing the track

1. Assemble the track
2. Install the brackets to the wall or ceiling and fix the track onto the brackets
3. Do not attach drapery after end positions have been set or complete installation is finished.
 - position the master carrier(s) into half open position
4. Attach motor to the track.
 - Position motor drive head into the track gear. (motor is in position when locking pin can be secured).



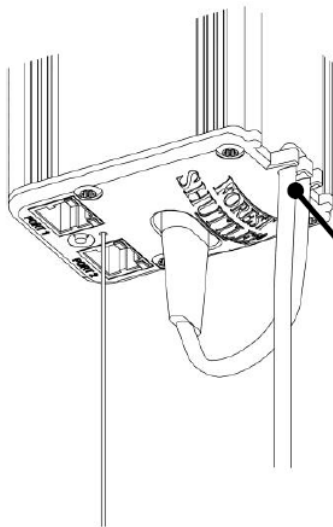
Connecting power and communication

5. Mount Transceiver dongle to track motor like below

P.S. actual look of dongle might differ from drawing below

Shuttle® L:

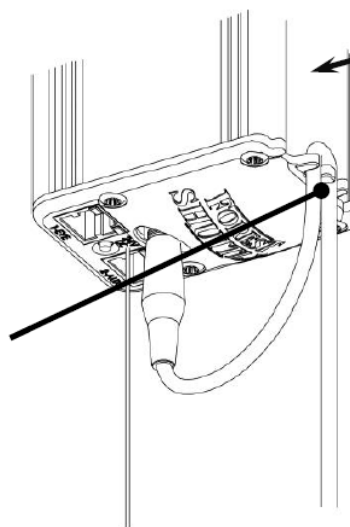
Connect the AC plug (100-240V~) to the power socket of Shuttle® L



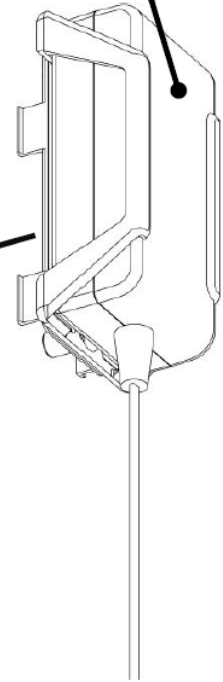
loop the cord through the strain relief

Shuttle® S / M Receiver:

Connect the 24V plug into the socket of the Shuttle® S / M Rec and connect the AC plug to the wall socket.



fix adaptor onto Shuttle® or wall



6. Connect data cable between PowerView Transceiver and motor

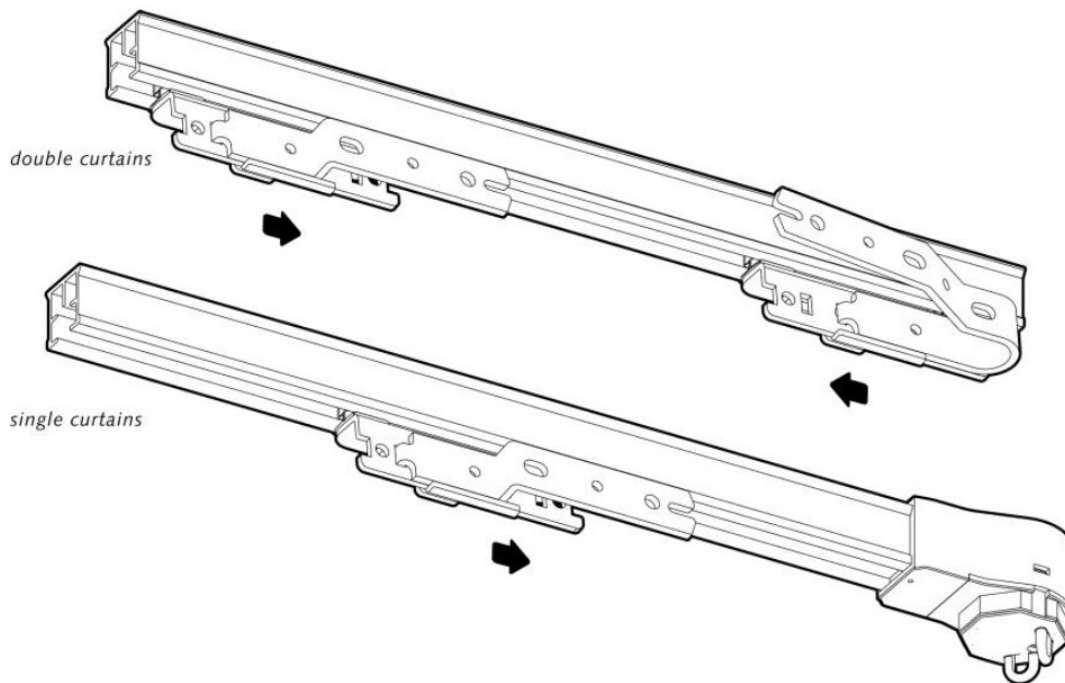
(Input: Port2)

6. Connect Forest DC or AC plug to the power socket of the Shuttle® motor.
7. Connect AC plug of Forest power supply to wall socket.

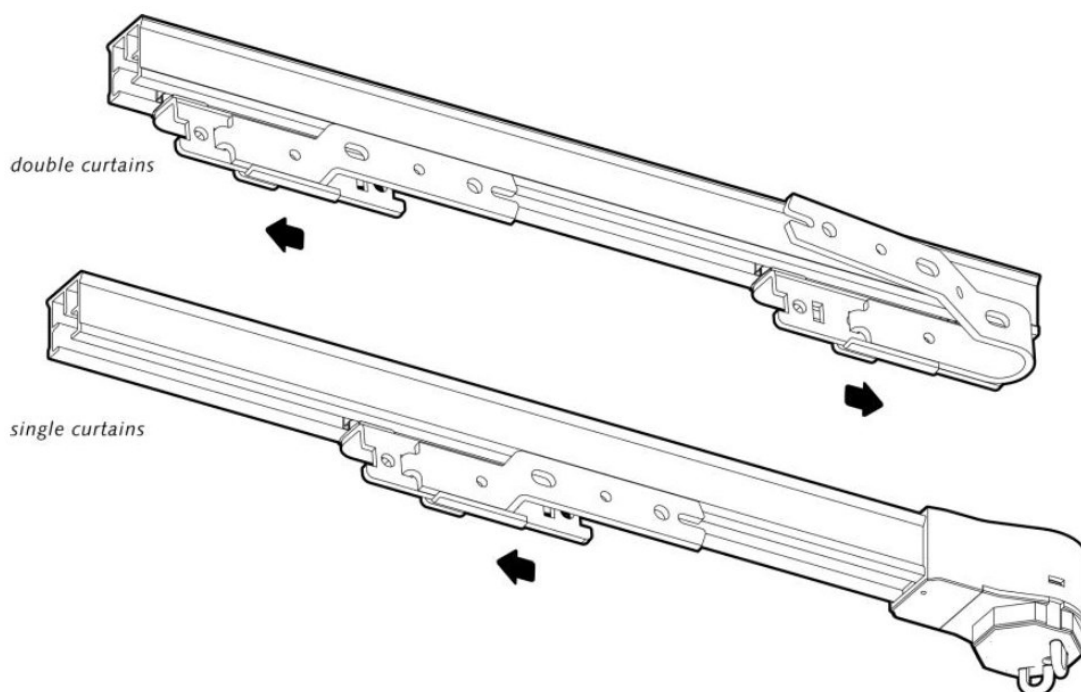
Setting and adjusting end limits Shuttle[®] motor

After power up open and close positions are to be referenced by the shuttle motor.

1. Push/press track carrier towards CLOSE position, carrier will travel towards CLOSE position automatically.



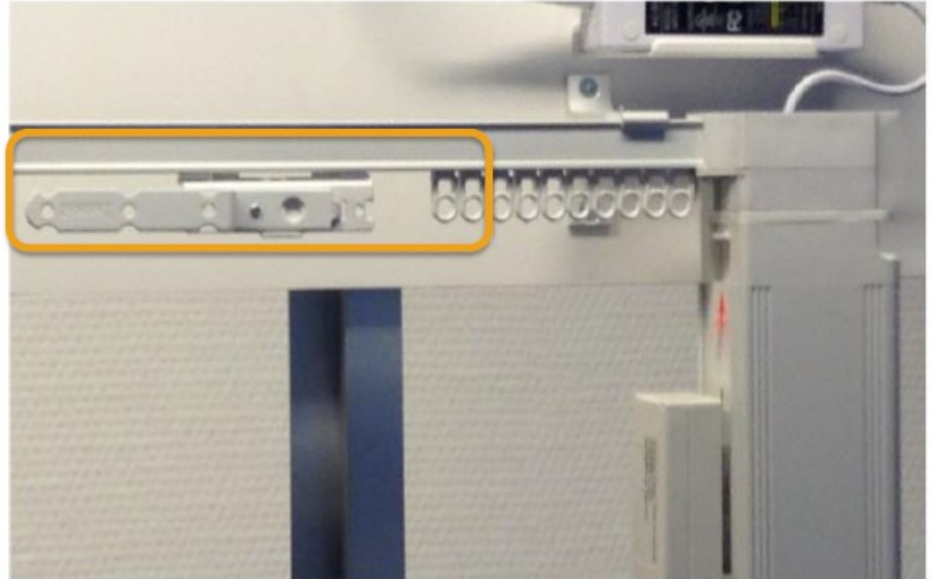
2. Push/press track carrier towards OPEN position, carrier will travel towards OPEN position automatically.



To adjust to a customized curtain stack back (OPEN) position please follow the following instructions.

3. After the track carrier reaches open position LED 4 will light-up yellow, **within 10 seconds** the curtain stack back position can be manually adjusted.

Stack back position can also be adjusted using a paired PV remote.



← Push track carrier in desired stack pack position.
(Within a 10 seconds time slot after carrier had reached OPEN limit position) →

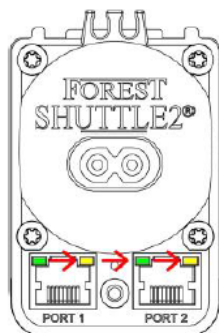
4. After the Yellow LED goes off, the end positions are stored into the memory.
5. For Re-adjusting the end limits first follow the following reset sequence followed by steps 1 through 4 of this manual.

PRESS BUTTON 4x
WITH A PEN



4x

LED MOVES FROM
1st → 2nd → 3rd → 4th LED



KEEP BUTTON
PRESSED FOR 5 SEC.



1x for 5sec.

YELLOW LED BLINKS
AND GOES OFF



Pairing PowerView[®] Transceiver with PowerView[®] remote

Adding the Curtain Transceiver to a remote can be done using the normal procedure for adding a shade to a remote.

See Quickstart guide “ [adding a shade to remote](#)”

1. Press and hold STOP on the remote until lights start blinking
2. Select desired group (1-6) on remote
3. Press and hold the PV transceiver button (transceiver LED will flash 1x red and 1x green)
4. Push OPEN on the remote, forest track will move to indicate it has joined the group on the remote
5. Press and hold STOP button on the remote until lights stop flashing.

*Push button
PowerView Transceiver*



*PowerView Transceiver
Installed with Forest motor*

PowerView Transceiver LED Feedback

PV Transceiver LED flashing 5 x red: (repetition of signalling sequence in a loop)



No correct communication to FOREST shuttle.
Please check if PV Transceiver is connected correctly to "PORT 2 AUX" of shuttle motor

PV Transceiver LED flashing 4 x red and 1 x green: (repetition of signalling sequence in a loop)



PV Transceiver is connected correctly but FOREST shuttle is not referenced.

Please set shuttle end limits as described at chapter setting end limits

PV Transceiver LED flashing 2 x orange 1x red (long) and 2 x green:

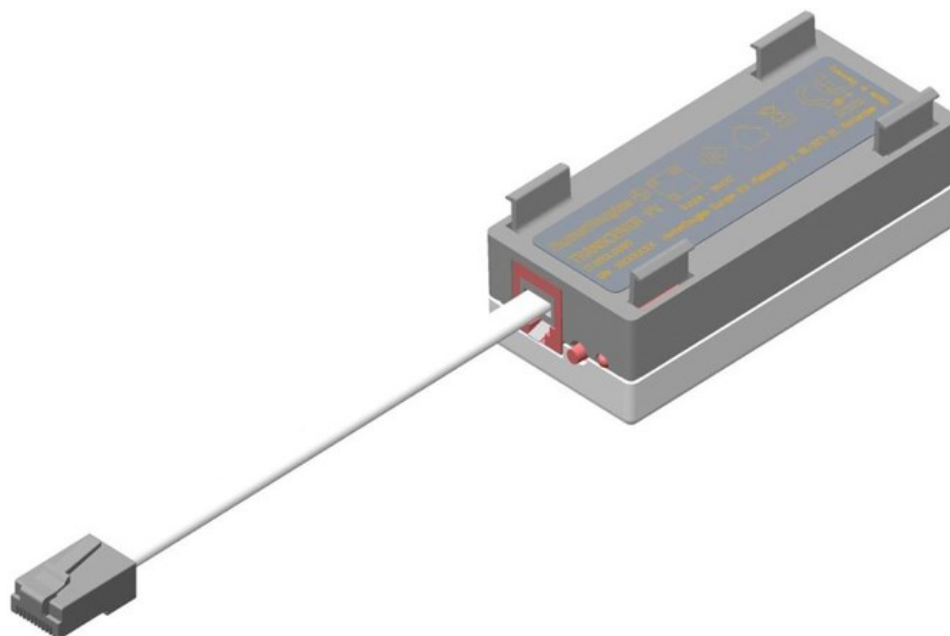


PV Transceiver is connected correctly and is ready for operation

PowerView Transceiver Curtain Track - Technical data



PowerView® Transceiver Curtain track



Article name: PV Transceiver CT

Article code: 17.0345.0000

Nominal voltage (dc)	5.0
Maximum current (mA)	15
Dimensions (mm)	92 x 40 x 31.5
Operation temperature (°C)	0 – 60
Duty rating	100% on
Weight (g)	34
IP protection class	40
Radio frequency (GHz)	2,407
Type of connection	RJ45
Cable length (mm)	150
Cable colour	White
Approvals	CE

PowerView Transceiver - Additional technical notes

Please note:

PV Transceiver behaviour after a power failure:

A recalibration run for the forest shuttle is required after a power failure. Shuttle recalibration run starts automatically and always in close direction after first user operation command (manually or by radio and regardless of selected operating direction). Recalibration run cannot be interrupted even with STOP command.

Please note:

PV Transceiver registration in APP:

In the PV APP the PV curtain track Transceiver is shown as “Provenance® Vertical” product.

Legal notice

This device complies with Industry Canada licence-exempt RSS standard(s) and part 15 of the FCC Rules. Operation is subject to the following two conditions: (1) this device may not cause interference, and (2) this device must accept any interference, including interference that may cause undesired operation of the device.

Changes or modifications not expressly approved by the party responsible for compliance could void the user's authority to operate the equipment.

"Le présent appareil est conforme aux CNR d'Industrie Canada applicables aux appareils radio exempts de licence. L'exploitation est autorisée aux deux conditions suivantes : (1) l'appareil ne doit pas produire de brouillage, et (2) l'appareil doit accepter tout brouillage radioélectrique subi, même si le brouillage est susceptible d'en compromettre le fonctionnement."

Safety instructions

The motor may only be installed by qualified personnel who:

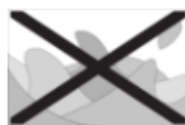
- Have read and understood the mounting instructions of both curtain track, motor and communication transceiver
- Are familiar with the electronic safety aspects
- Recognize and avoid danger which can be produced from the mechanical or electrical components
- Always observe and are familiar with the local safety, labour regulations and laws



Never drop the motor!



Never drill into the motor!



Do not immerse into liquid! Never hit the motor!



Avoid collisions!



Do not cut any cables!

Important notice

Hunter Douglas Europe B.V. and its affiliates (Hunter Douglas) reserve the right to make corrections, enhancements, improvements and other changes to its products and services, and to discontinue any product or service. Buyers should obtain the latest relevant information before placing orders and should verify that such information is current and complete. All products (also referred to herein as "components") are sold subject to Hunter Douglas' terms and conditions of sale supplied at the time of order acknowledgment.

Hunter Douglas warrants performance of its components to the specifications applicable at the time of sale, in accordance with its standard warranty terms. Testing and other quality control techniques are used to the extent Hunter Douglas deems necessary to support this warranty. Except where mandated by applicable law, testing of all parameters of each component is not necessarily performed.

Hunter Douglas assumes no liability for applications assistance or the design of Buyers' products. Buyers are responsible for their products, applications and interfaces using Hunter Douglas components. To minimize the risks associated with Buyers' products and applications, Buyers should provide adequate design and operating safeguards.

Hunter Douglas does not warrant or represent that any license, either express or implied, is granted under any patent right, copyright, mask work right, or other intellectual property right relating to any combination, machine, or process in which Hunter Douglas components or services are used. Information published by Hunter Douglas regarding third-party products or services does not constitute a license to use such products or services or a warranty or endorsement thereof. Use of such information may require a license from a third party under the patents or other intellectual property of the third party, or a license from Hunter Douglas under the patents or other intellectual property of Hunter Douglas.

Reproduction of Hunter Douglas information in Hunter Douglas data sheets is permissible only if reproduction is without alteration and is accompanied by all associated warranties, conditions, limitations, and notices. Hunter Douglas is not responsible or liable for any altered documentation. Information of third parties may be subject to additional restrictions.

Resale of Hunter Douglas components or services with statements different from or beyond the parameters stated by Hunter Douglas for that component or service voids all express and any implied warranties for the associated Hunter Douglas component or service and is an unfair and deceptive business practice. Hunter Douglas is not responsible or liable for any such statements.

Buyers acknowledge and agree that they are solely responsible for compliance with all legal, regulatory and safety-related requirements concerning its products, and any use of Hunter Douglas components in its applications, notwithstanding any applications-related information or support that may be provided by Hunter Douglas. Buyers represent and agree that they have all the necessary expertise to create and implement safeguards which anticipate dangerous consequences of failures, monitor failures and their consequences, lessen the likelihood of failures that might cause harm and take appropriate remedial actions. Buyers fully indemnify Hunter Douglas and its representatives against any damages arising out of the use of any Hunter Douglas components in safety-critical applications.